

User Manual

24 Inch or 27 Inch Monitor, FHD 1080P, Max 100Hz, VESA Compatible, Built-in Speakers

Manuel d'utilisation

Moniteurs de 24 ou 27 pouces, FHD 1080P, MAX. 100 Hz, compatible VESA, haut-parleurs intégrés

Bedienungsanleitung

24-Zoll- oder 27-Zoll-Monitor, FHD 1080P, max. 100 Hz, VESA-kompatibel, integrierte Lautsprecher

Manuale per l'uso

Monitor da 24 o 27 pollici, FHD 1080P, max 100 Hz, compatibile con VESA, altoparlanti incorporati

Gebruikershandleiding

Monitor van 24 inch of 27 inch, FHD 1080P, max 100 Hz, VESA-compatibel, ingebouwde luidsprekers

Manual del usuario

Monitor de 24 o 27 pulgadas, FHD 1080P, 100 Hz máx., compatible con VESA, altavoces integrados

Instrukcja obsługi

Monitor o przekątnej 24" lub 27", FHD 1080P, maksymalnie 100 Hz, zgodność ze standardem VESA, wbudowane głośniki

Bruksanvisning

24 tum eller 27 tum bildskärm, FHD 1080P, max 100 Hz, VESA-kompatibel, inbyggda högtalare

ユーザーマニュアル

24または27インチモニター、FHD 1080P、最大100 Hz、VESA規格準拠、スピーカー内蔵

دليل المستخدم

شاشة مقاس 24 أو 27 بوصة، فائقة الدقة 1080P، بسرعة 100 هرتز كحد أقصى، متوافقة مع VESA، ومزودة بمكبرات صوت مدمجة

EN	Page	3
FR	Page	16
DE	Seite	29
IT	Pagina	42
ES	Página	54
NL	Pagina	66
PL	Strona	78
SV	Sida	90
日本語	ページ	102
114	صفحة	AR

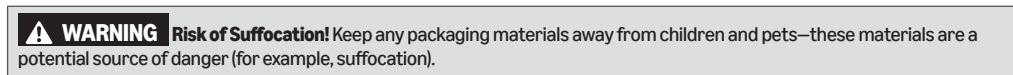
Contents

Safety Instructions.....	4
Package Contents	4
Parts Overview.....	5
Setting Up the Monitor.....	7
Using the Monitor.....	8
Cleaning and Maintenance.....	11
Troubleshooting.....	12
FCC – Supplier’s Declaration of Conformity.....	14
FCC Compliance Statement.....	14
FCC Interference Statement	15
Canada IC Notice	15
Disposal (for Europe only).....	15
Trademark.....	15
Feedback and Help.....	15

Safety Instructions

Read the following instructions carefully and keep them for future use.

1. Only use the power adapter provided with the monitor. Do not use the power adapter with other products.
2. Do not place the monitor near a window. Exposure to rain, moisture, or direct sunlight can cause serious damage to the monitor.
3. Do not cover the ventilation openings at the back of the monitor with items, such as newspapers, tablecloths, or curtains.
4. Do not press on the LCD screen. Excessively forceful pressing can cause permanent damage to the display.
5. Do not remove the case or attempt to repair the machine by yourself. All maintenance tasks should be performed by an authorized technician.
6. Store the monitor in a room with a temperature between -4°F-140°F (-20°C-60°C). Permanent damage may result if the monitor is stored outside of this range.
7. Unplug the monitor's power adapter immediately and contact an authorized technician if:
 - a. The signal cable between the monitor and the computer is worn or damaged.
 - b. Liquid spills onto the monitor or the monitor is exposed to rain.
 - c. The monitor or case is damaged.
8. This equipment is not suitable for use in locations where children are likely to be present.
9. Read these instructions to ensure correct and safe installation and interconnection of the equipment.
10. The electrical plug/appliance couple is used as disconnect device. The disconnect device must remain readily operable.
11. This monitor should be operated from the type of power indicated on the rating label. If you are not sure the type of power available, consult your dealer or local power company.
12. If your monitor's power adapter has a grounded plug, use it with a grounded outlet.
13. This monitor is intended to be used in dry indoor areas only.



Safe Listening Instructions

To avoid possible hearing damage:

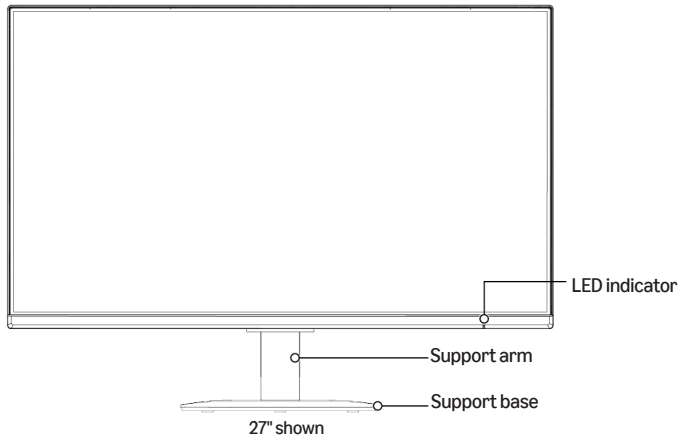
- ▶ Do not listen at high volume levels for long periods of time.
- ▶ Gradually increase the volume, rather than jumping to a very high level all at once.
- ▶ Do not increase the volume further when the volume is adjusted to be able to hear clearly and comfortably without distortion.

Package Contents

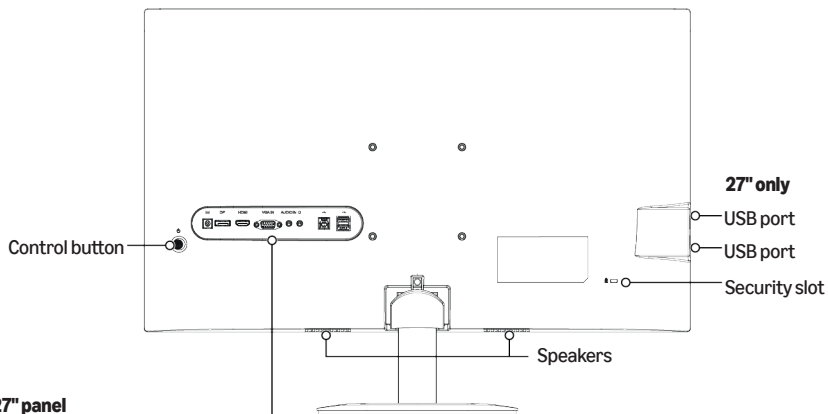
- ▶ Monitor
- ▶ Support arm
- ▶ Support base
- ▶ Quick Setup Guide
- ▶ Power adapter
- ▶ Power cord (27-inch model only)
- ▶ HDMI cable

Parts Overview

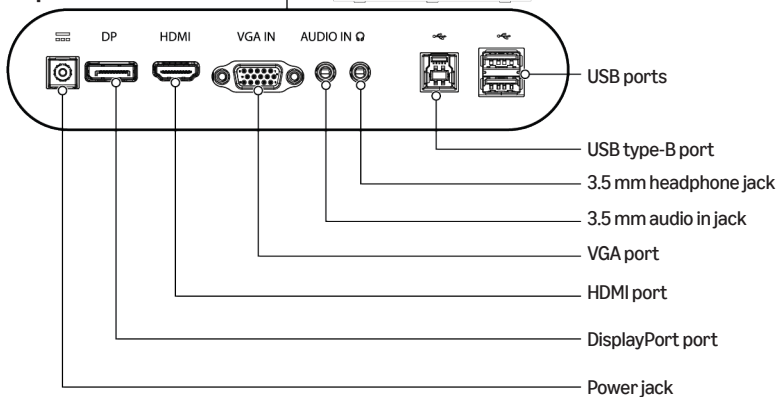
24" and 27" Monitor - Front



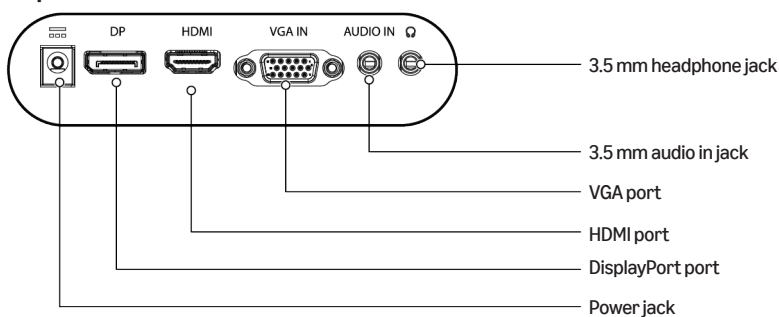
24" and 27" Monitor - Back



27" panel



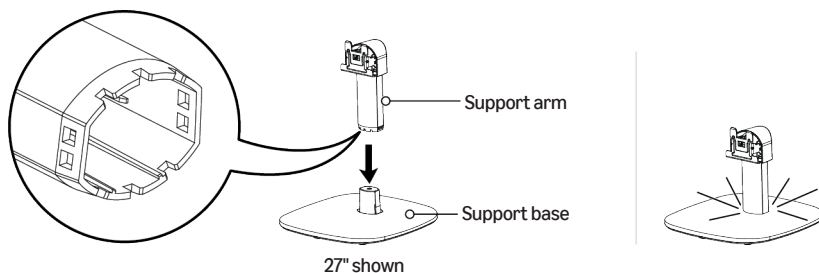
24" panel



Setting Up the Monitor

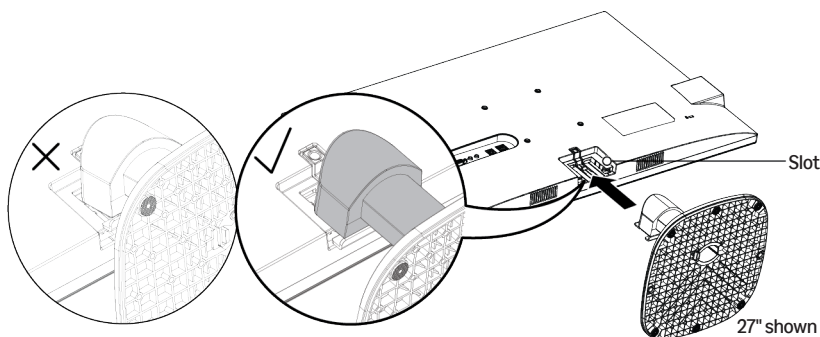
Attaching the Monitor Base

1. Carefully place the monitor face-down on a soft surface to prevent it from getting scratched.
2. Push the support arm onto the support base. You will hear a click when the support arm and base are properly connected.



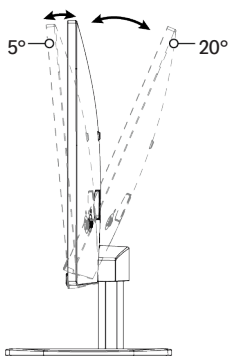
3. Slide the top of the support arm into the slot on the back of the monitor. You will hear a click when the support arm is properly connected. Make sure the support arm and support base are securely connected.

Note: When installing the base onto the monitor, it should be inserted horizontally as shown in the diagram and a "click" sound should be heard. If it is not inserted horizontally, the base will not be able to fix the monitor.



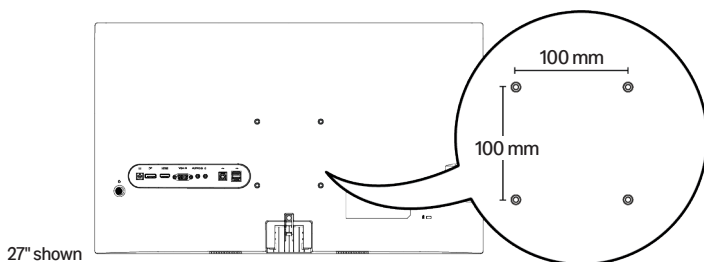
Adjusting the Viewing Angle

When adjusting the monitor, avoid touching the screen and hold the stand in place to prevent it from falling over. The monitor tilts forward up to 5° or backward up to 20°.



Installing with a Wall Mounting Kit

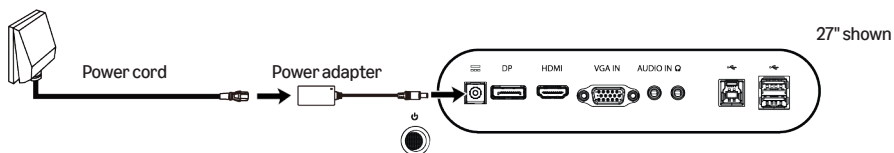
Use a VESA mounting kit (not included) that accommodates a 100 × 100 mm hole pattern and has four M4 × 10 mm screws to secure the monitor to a mount.



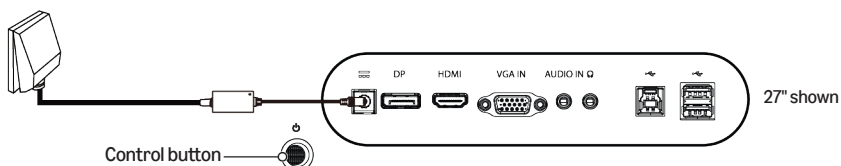
Using the Monitor

Powering the Monitor

1. **27" model only:** Connect the power cord to the power adapter.
2. Connect the power adapter from the monitor's power jack to a power outlet.



3. To turn on the monitor, briefly press the  control button.



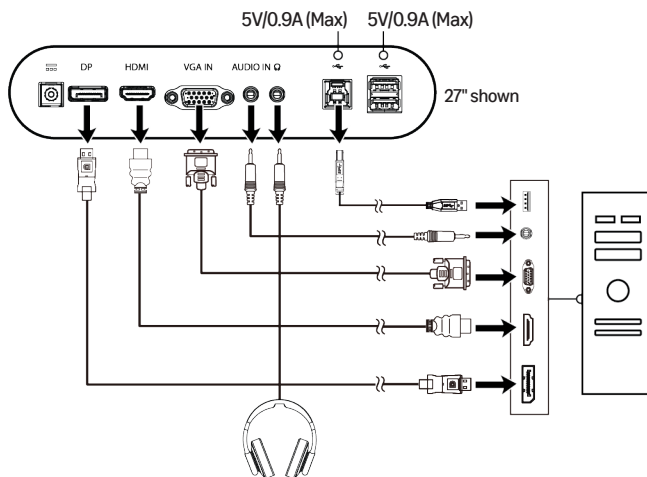
4. To turn off the monitor, press and hold the  control button.

Connecting to a Computer

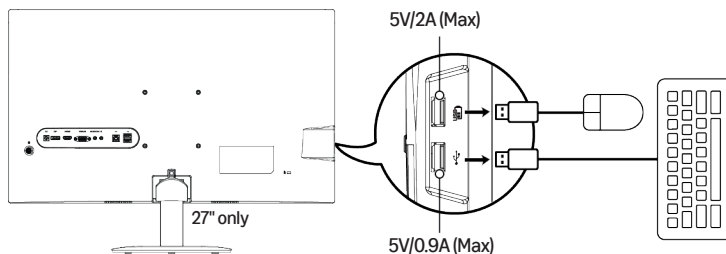
1. Turn off your computer and monitor, then unplug their power cords.
2. Choose a connection type:
 - ▶ **DisplayPort** (best quality): Connect a DisplayPort cable (not included) from your monitor's **DP** port to your computer.
 - ▶ **HDMI** (better quality): Connect an HDMI cable (included) from your monitor's **HDMI** port to your computer.
 - ▶ **VGA** (good quality): Connect a VGA cable (not included) from your monitor's **VGA IN** port to your computer.

3. If you connected with VGA, connect a 3.5 mm AUX cable from your monitor's **AUDIO IN** jack to your computer.

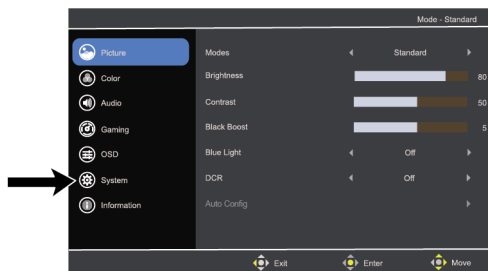
Note: DisplayPort and HDMI carry audio signals. VGA requires this extra connection.



4. **27" Monitor Only:** Connect a USB or USB type-B cable from the monitor to your printer, keyboard, mouse, or other peripheral device. USB devices charge while the the monitor is turned on. When the monitor is turned off, charging stops.



5. Reconnect your computer's and monitor's power cords.
6. Turn on your monitor and computer. Your monitor should switch to the correct source automatically. If needed, choose your input source by navigating to **System > Input** in the monitor's menu. See "Using the Control Button" on page 10 for more information.



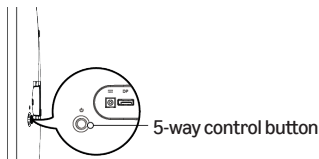
Installing a Cable Lock

The monitor can be secured to a fixed object with a cable lock (not included).

Using the Control Button

Use the 5-way control button to navigate the monitor's main menu:

- ▶ **Short press:** Turn monitor on or open the menu when the monitor is turned on.
- ▶ **Long press:** Turn monitor off
- ▶ **Up/Down/Left/Right:** Press to open the menu, then use the directional arrows to adjust settings. When finished, press Left to go back a level until the menu is closed.



Adjusting the Settings

Short press or push the control button up, down, left, or right to open the main menu. Use the options in the following Picture, Color, Audio, Gaming, OSD (on-screen display), System, and Information menus to adjust your monitor's settings.

When you're finished, press the control button left repeatedly to exit the main menu. See "Using the Control Button" for more information on navigating the menu.

Picture

- ▶ **Modes:** Optimizes picture quality for general content. Choose between Action, Racing, Sports, User, Standard, ECO, Graphics, or Movie.
- ▶ **Brightness:** Adjusts the balance between light and dark shades. Choose a setting from 0 (dimmiest) to 100 (brightest).
- ▶ **Contrast:** Adjusts the degree of difference between light and dark areas. Choose a setting from 0 (least contrast) to 100 (most contrast).
- ▶ **Black Boost:** Boosts the amplitude of the dark color levels of the display, making blacks less black. The higher the level, the higher the boost.
- ▶ **Blue Light:** When turned on, this filters out blue light by adjusting the ratio of blue light that is displayed.
- ▶ **DCR (Dynamic Contrast Ratio):** Adjusts the backlight based on what is displayed on your screen.
- ▶ **Auto Config (VGA mode only):** Adjusts the picture automatically.
- ▶ **H. Position (VGA mode only):** Adjusts the horizontal position from 0 to 100.
- ▶ **V. Position (VGA mode only):** Adjusts the vertical position from 0 to 100.
- ▶ **Focus (VGA mode only):** Adjusts the focus from 0 to 100.
- ▶ **Clock (VGA mode only):** Adjusts the clock from 0 to 100.

Color

- ▶ **Gamma:** Adjusts the luminance tone. The default value is 2.2 (standard value for Windows).
- ▶ **Color Temp.:** Changes the color temperature. Choose between Warm, Normal, Cool or User. The default is Warm.

Audio

- ▶ **Volume:** Adjusts the volume.
- ▶ **Mute:** Turns the sound on or off.

Gaming

- ▶ **Over Drive:** Prevents motion blur in fast-moving images. Choose between Off, Normal, or Extreme.

- ▶ **Adaptive-Sync:** When turned on, this eliminates tearing and stuttering. The default is On.
- ▶ **Refresh Rate Num:** Displays the screen's current refresh rate.

OSD (On-Screen Display)

- ▶ **Language:** Sets the OSD menu language. Choose between English / Русский / Deutsch / Français / Español / Italiano / Hollands / Finnish / Turkish / Polish / Portuguese / Brazilian Portuguese / 繁體中文 (Traditional Chinese) / 简体中文 (Simplified Chinese) / 日本語 (Japanese) / 한국어 / عَرَبِي / Svenska
- ▶ **OSD Timeout:** Adjusts the delay before turning off the OSD menu.
- ▶ **Transparency:** Adjusts the transparency of the OSD menu.

System

- ▶ **Input:** Selects the source from an available input source.
- ▶ **Auto Source:** Automatically searches for available input sources.
- ▶ **Wide Mode:** Selects your screen's aspect ratio.
- ▶ **DDC/CI:** Lets monitor settings be set through software on your computer.

Information

- ▶ Shows basic information of the machine.
- ▶ **Reset All Settings:** Resets all settings to factory defaults.

Cleaning and Maintenance

To clean the monitor's screen:

1. Turn off the monitor and unplug the power adapter.
2. Spray a solvent-free cleaning solution onto a soft cloth and gently wipe the screen.

CAUTION

- ▶ Do not spray or pour any liquid directly onto the screen or its bezel.
- ▶ Do not use any ammonia- or alcohol-based cleaners on the monitor's screen or bezel.

Troubleshooting

Problem	Solutions
No picture (LED is on)	<ul style="list-style-type: none"> ▶ Make sure that your computer is turned on. ▶ Make sure that your cable (DisplayPort, HDMI, or VGA) is correctly and securely connected to your monitor and computer. ▶ Make sure that your cable is not damaged. Open the menu to increase the Brightness and Contrast settings, or reset the monitor to default settings. ▶ Make sure that you have selected the correct input source. From the menu, navigate to System > Input.
No picture (LED is off)	<ul style="list-style-type: none"> ▶ Make sure that the power cord is connected and receiving power. ▶ Press and hold the control button to turn on the monitor.
Abnormal picture	<ul style="list-style-type: none"> ▶ Different input sources may have differing aspect ratios. Try adjusting the aspect ratio in the menu.
Color display is abnormal	<ul style="list-style-type: none"> ▶ Check your cable connection (DisplayPort, HDMI, or VGA) to make sure that the connection is secure. ▶ Make sure that your cable (DisplayPort, HDMI, or VGA) is not damaged or does not have any bent pins. ▶ Try another cable. ▶ Adjust the picture's Mode or Color Temp. to change the display's color.
No sound or sound is too low	<ul style="list-style-type: none"> ▶ Make sure that an audio cable is connected. DisplayPort and HDMI cables carry audio, and VGA cables require an additional 3.5mm AUX connection. ▶ Make sure that the monitor's speakers are not muted. ▶ Raise the volume on your computer.
Refresh rate does not reach 100 Hz	<ul style="list-style-type: none"> ▶ Make sure that your computer port supports FHD (Full High Definition) at 100 Hz. Visit the manufacturer's website for more information. ▶ Make sure that your computer's graphics card supports a 100 Hz output and that the drivers are up to date. Visit the manufacturer's website to download and install the latest drivers. ▶ Make sure that you have connected a cable that supports 100 Hz (such as a DisplayPort or HDMI 1.4 cable). ▶ Open your computer's advanced display settings and set the refresh rate to 100 Hz.
The monitor stand is unstable	<ul style="list-style-type: none"> ▶ Make sure that the support arm and support base are aligned correctly. See "Attaching the Monitor Base" on page 7 for more information.
Don't know how to control the on-screen display and power on/off	<ul style="list-style-type: none"> ▶ Make sure you use the control button on the back of the monitor to turn on/off the monitor. ▶ Use this button to control the on-screen display. See "Using the Control Button" on page 10 for more information.

Specifications

24" Monitor

Includes B0CP7QLM3G/B0CP7S6TLR/B0CP7TRZWR/B0CP91ZJF9

Driving System	TFT Color LCD
Viewable Image Size	23.8 in. W (60 cm)
Pixel Pitch	0.2745 mm (H) x 0.2745 mm (V)
Response Time	5ms GTG
Horizontal Scan Range	VGA: 30–85KHz HDMI: 30–120KHz DisplayPort: 30–120KHz
Vertical Scan Range	VGA: 48–75Hz HDMI: 48–100Hz DisplayPort: 48–100Hz
Scan Size (Max.)	Horizontal: 527 mm Vertical: 296 mm
Display Colors	16.7M Colors
Max Resolution	1920 x 1080 @75Hz (VGA) 1920 x 1080 @100Hz (HDMI/DP)
Plug & Play	VESA DDCCI/DDC2B
Power Consumption	On Mode: 18W (typical) Standby Mode: ≤0.5W Off Mode: ≤0.3W
Connector Types	HDMI 1.4 x 1 VGA (D-Sub) x 1 DP 1.2 x 1 Audio 3.5 mm jack in Audio 3.5 mm jack out (headphone output)
Video	D-Sub interface HDMI interface DP interface
Power Source	Input: 100–240 V~ 50/60 Hz
Environmental Conditions	Operating Temp: 32° to 104°F (0° to 40°C) Storage Temp: -4° to 140°F (-20° to 60°C) Operating Humidity: 20% to 80%
VESA Pattern	100 x 100 mm

Note: The data of Power Consumption is based on ErP standard test conditions.

27" Monitor

Includes B0CP7R6KDQ/B0CP7Q9P14/B0CP7RZRMD/B0CP928BL3

Driving System	TFT Color LCD
Viewable Image Size	27 in. W (69 cm)
Pixel Pitch	0.3114 mm (H) x 0.3114 mm (V)

Response Time	5ms GTG
Horizontal Scan Range	VGA: 30–85KHz HDMI: 30–120KHz DisplayPort: 30–120KHz
Vertical Scan Range	VGA: 48–75Hz HDMI: 48–100Hz DisplayPort: 48–100Hz
Scan Size (Max.)	Horizontal: 598 mm Vertical: 336 mm
Display Colors	16.7M Colors
Max Resolution	1920 x 1080 @75Hz (VGA) 1920 x 1080 @100Hz (HDMI/DP)
Plug & Play	VESA DDCCI/DDC2B
Power Consumption	On Mode: 21W (typical) Standby Mode: ≤0.5W Off Mode: ≤0.3W
Connector Types	HDMI 1.4 x 1 VGA (D-Sub) x 1 DP 1.2 x 1 USB type-A (USB 3.2 Gen 1x3, USB 3.2 fast charger x1) USB type-B (USB upstream x1) Audio 3.5 mm jack in Audio 3.5 mm jack out (headphone output)
Video	D-Sub interface HDMI interface DP interface
Power Source	Input: 100–240 V~ 50/60 Hz
Environmental Conditions	Operating Temp: 32° to 104°F (0° to 40°C) Storage Temp: -4° to 140°F (-20° to 60°C) Operating Humidity: 20% to 80%
VESA Pattern	100 x 100 mm

Note: The data of Power Consumption is based on ErP standard test conditions.

FCC – Supplier’s Declaration of Conformity

Unique Identifier	Amazon Basics 24 Inch or 27 Inch Monitor, FHD 1080P, Max 100Hz, VESA Compatible, Built-in Speakers B0CP7RZRMD/B0CP7TRZWR
Responsible Party	Amazon.com Services LLC.
U.S. Contact Information	410 Terry Ave N. Seattle, WA 98109, United States
Telephone Number	(206) 266-1000

FCC Compliance Statement

1. This device complies with Part 15 of the FCC Rules. Operation is subject to the two following conditions:

- (1) this device may not cause harmful interference, and

- (2) this device must accept any interference received, including interference that may cause undesired operation.
2. Changes or modifications not expressly approved by the party responsible for compliance could void the user's authority to operate the equipment.

FCC Interference Statement

This equipment has been tested and found to comply with the limits for a Class B digital device, pursuant to part 15 of the FCC Rules. These limits are designed to provide reasonable protection against harmful interference in a residential installation.

This equipment generates, uses, and can radiate radio frequency energy and, if not installed and used in accordance with the instructions, may cause harmful interference to radio communications. However, there is no guarantee that interference will not occur in a particular installation. If this equipment does cause harmful interference to radio or television reception, which can be determined by turning the equipment off and on, the user is encouraged to try to correct the interference by one or more, of the following measures:

- ▶ Reorient or relocate the receiving antenna.
- ▶ Increase the separation between the equipment and the receiver.
- ▶ Connect the equipment into an outlet on a circuit different to which the receiver is connected.
- ▶ Consult the dealer or an experienced radio/TV technician for help.

Canada IC Notice

This Class B digital apparatus complies with Canadian CAN ICES (B)/NMB (B) standard.

Disposal (for Europe only)



The Waste Electrical and Electronic Equipment (WEEE) laws aim to minimise the impact of electrical and electronic goods on the environment and human health, by increasing re-use and recycling and by reducing the amount of WEEE going to landfill. The symbol on this product or its packaging signifies that this product must be disposed separately from ordinary household wastes at its end of life. Be aware that this is your responsibility to dispose of electronic equipment at recycling centres in order to conserve natural resources. Each country should have its collection centres for electrical and electronic equipment recycling. For information about your recycling drop off area, please contact your related electrical and electronic equipment waste management authority, your local city office, or your household waste disposal service.

Trademark

HDMI™

The terms HDMI, HDMI High-Definition Multimedia Interface, and the HDMI Logo are trademarks or registered trademarks of HDMI Licensing Administrator, Inc.

Feedback and Help

We would love to hear your feedback. Please consider leaving a rating and review through your purchase orders. If you need help with your product, log in to your account and navigate to the customer service / contact us page.

Table des matières

Consignes de sécurité	17
Contenu de l'emballage.....	17
Aperçu des pièces	18
Installation du moniteur.....	20
Utilisation du moniteur.....	21
Nettoyage et entretien.....	24
Problèmes et solutions	24
Caractéristiques	25
Déclaration de conformité FCC du fournisseur :	27
Déclaration de conformité FCC.....	27
Déclaration FCC sur les interférences.....	27
Déclaration d'Industrie Canada.....	28
Mise au rebut (pour l'Europe seulement).....	28
Marque commerciale (MC)	28
Vos avis et aide.....	28

Consignes de sécurité

Lire les instructions ci-après avec soin et les conserver pour toute référence ultérieure.

1. Utiliser uniquement l'adaptateur d'alimentation fourni avec le moniteur. Ne pas utiliser l'adaptateur d'alimentation pour d'autres appareils.
2. Ne pas placer ce moniteur à proximité d'une fenêtre. L'exposition à la pluie, à l'humidité ou à la lumière directe du soleil peut causer de graves dommages au moniteur.
3. Ne pas couvrir les ouvertures de ventilation au dos du moniteur avec des articles tels que des journaux, des nappes ou des rideaux.
4. Ne pas appuyer sur l'écran LCD. Une pression excessive peut causer des dommages permanents à l'écran.
5. Ne pas retirer le boîtier ni tenter de réparer la machine par soi-même. Tous les travaux d'entretien doivent être effectués uniquement par du personnel qualifié.
6. Ranger ce moniteur dans une pièce avec des températures allant de -20 à 60 °C. Des dommages permanents peuvent se produire si le moniteur est rangé en dehors de cette plage de températures.
7. Débrancher l'adaptateur d'alimentation immédiatement et contacter un technicien qualifié si :
 - a. Le câble de signal entre le moniteur et l'ordinateur est tordu ou endommagé.
 - b. Du liquide se répand sur le moniteur ou le moniteur est exposé à la pluie.
 - c. Le moniteur ou le boîtier est endommagé.
8. Cet équipement ne convient pas aux endroits où les enfants sont susceptibles d'être présents.
9. Lire ces instructions pour assurer une installation et une interconnexion correctes et sûres de l'équipement.
10. Le couple prise électrique/appareil est utilisé comme dispositif de déconnexion. Ce dispositif de déconnexion doit rester facile d'accès.
11. Ce moniteur doit fonctionner conformément à la source d'alimentation indiquée sur les étiquettes. En cas d'incertitude sur la tension d'alimentation électrique disponible, consulter le revendeur ou la compagnie d'électricité.
12. Si l'adaptateur d'alimentation du moniteur a une prise de mise à la terre, l'utiliser avec une prise secteur mise à la terre.
13. Ce moniteur est destiné à être utilisé dans des endroits intérieurs secs uniquement.



ATTENTION **Risque d'étouffement!** Mettre tous les matériaux d'emballage hors de la portée des enfants et des animaux domestiques, ces matériaux constituent une source de danger potentiel, (p. ex. d'étouffement).

Consignes d'écoute en toute sécurité

Pour éviter des dommages auditifs :

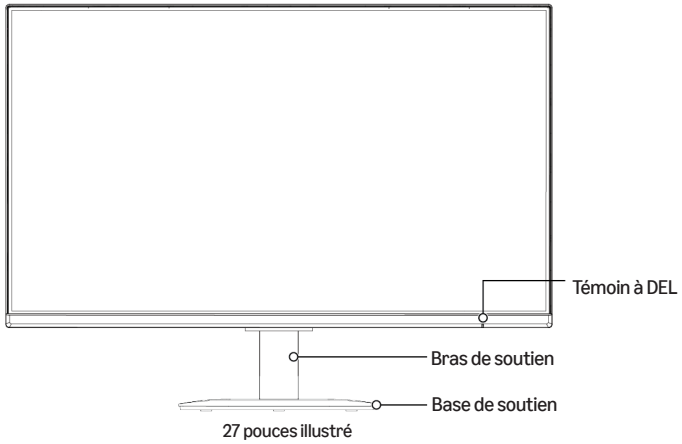
- ▶ Ne pas écouter à un niveau sonore trop élevé pendant une période prolongée.
- ▶ Augmenter graduellement le volume, plutôt que de passer à un niveau élevé d'un seul coup.
- ▶ Ne pas augmenter davantage le volume lorsque le volume est réglé de manière à pouvoir entendre clairement et confortablement sans distorsion.

Contenu de l'emballage

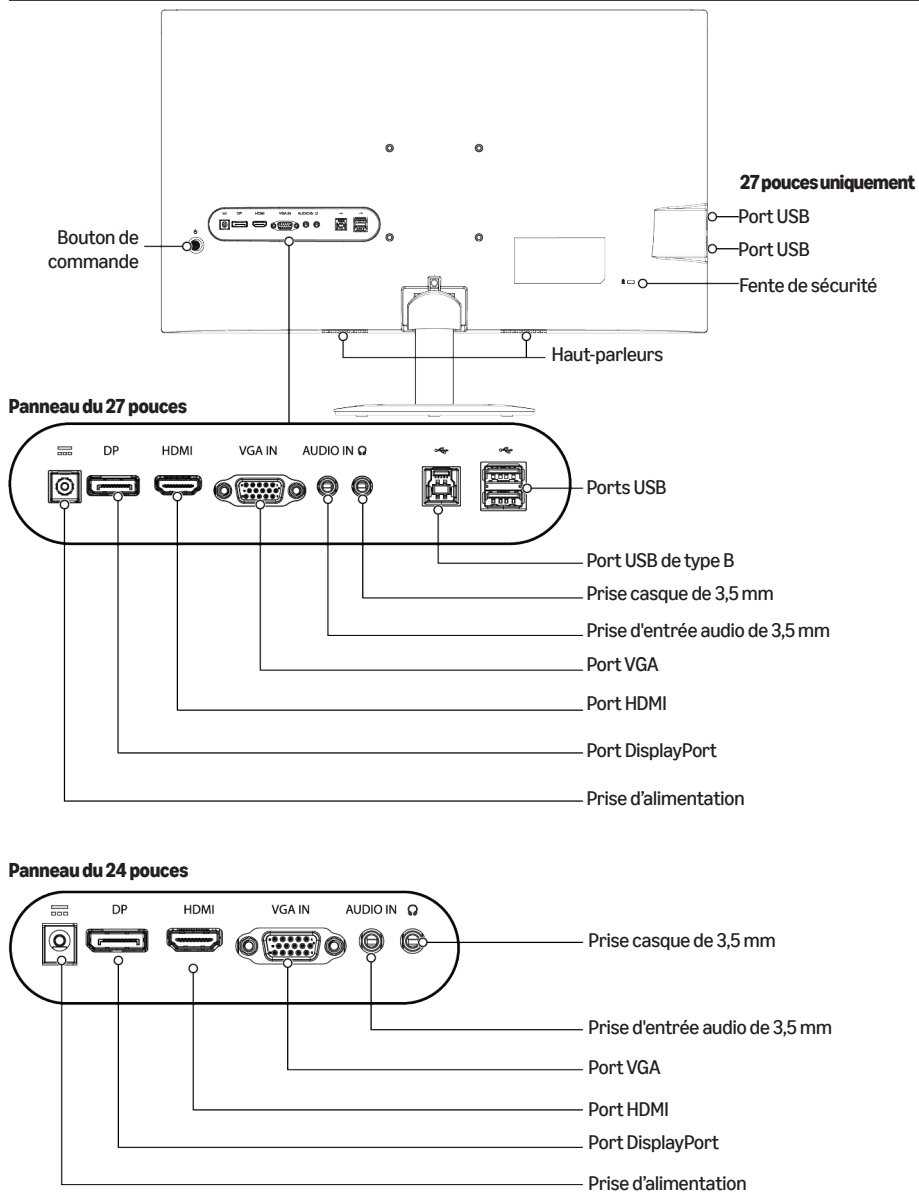
- ▶ Moniteur
- ▶ Bras de soutien
- ▶ Base de soutien
- ▶ Guide d'installation rapide
- ▶ Adaptateur d'alimentation
- ▶ Câble d'alimentation (Modèle de 27 pouces uniquement)
- ▶ Câble HDMI

Aperçu des pièces

Moniteurs de 24 et 27 pouces - Face avant



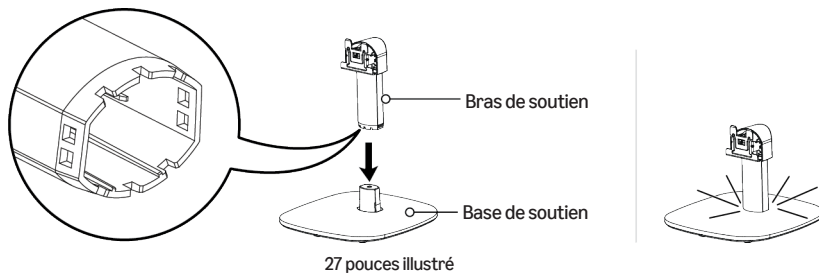
Moniteurs de 24 et 27 pouces - Face arrière



Installation du moniteur

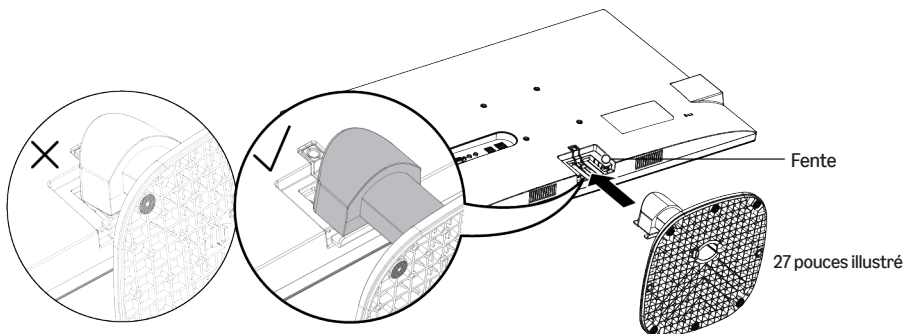
Fixation de la base du moniteur

1. Placer délicatement le moniteur tourné vers le bas sur une surface souple afin de protéger l'écran des rayures.
2. Pousser le bras de soutien sur la base de soutien. Vous entendrez un clic lorsque le bras et la base de soutien seront correctement enclenchés.



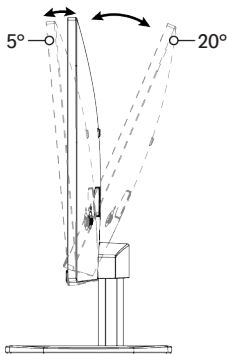
3. Faire glisser le dessus du bras de soutien dans les rainures au dos du moniteur. Un déclic doit se faire entendre lorsque le bras de soutien est enclenché.

Remarque : lorsque vous installez la base sur le moniteur, vous devez l'insérer horizontalement, comme indiqué sur le schéma, et entendre un « clic ». Si la base n'est pas insérée horizontalement, elle ne sera pas capable de supporter le moniteur.



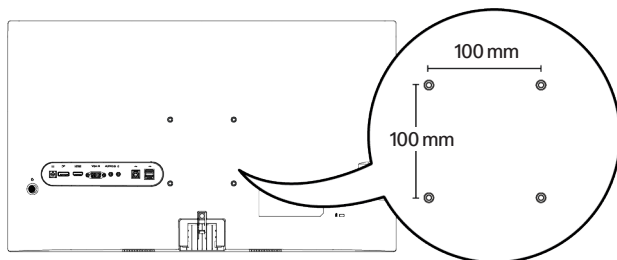
Réglage de l'angle de visualisation

Lors du réglage du moniteur, éviter de toucher l'écran et conserver le support en place pour l'empêcher de chuter en se retournant. Le moniteur s'incline vers l'avant jusqu'à 5° ou vers l'arrière jusqu'à 20°.



Installation avec un kit de montage mural

Utiliser un kit de montage VESA (non fourni) qui accepte un motif de trou de 100 x 100 mm et dispose de quatre vis M4 x 10 mm pour fixer le moniteur à un support.

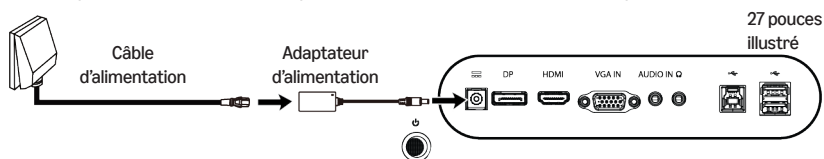


27 pouces illustré

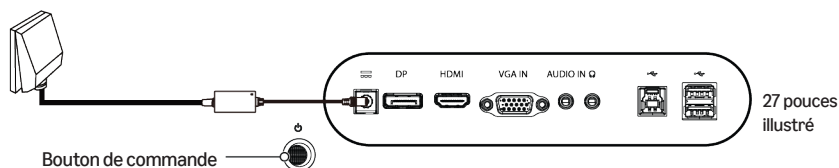
Utilisation du moniteur


Mise sous tension du moniteur

1. **Uniquement le modèle de 27 pouces** : Brancher le câble d'alimentation sur l'adaptateur d'alimentation.
2. Connecter l'adaptateur d'alimentation de la prise d'alimentation du moniteur sur une prise secteur.



3. Pour allumer le moniteur appuyer brièvement sur le bouton de mise sous tension .

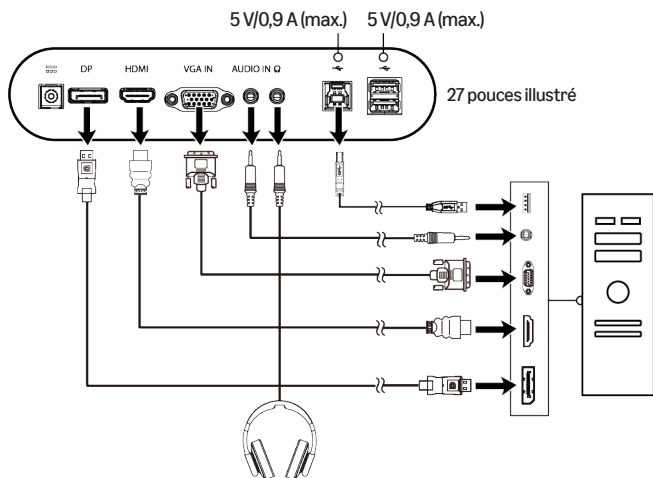


4. Pour éteindre le moniteur, maintenir appuyé le bouton de mise hors tension .

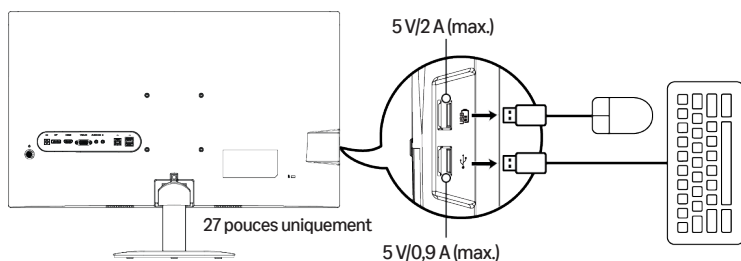
Connexion à un ordinateur

1. Mettre l'ordinateur et le moniteur hors tension, puis débrancher leurs câbles d'alimentation.
2. Choisir le type de connexion :
 - **DisplayPort** (qualité optimale) : Connecter un câble DisplayPort (non inclus) à partir du port **DP** du moniteur sur l'ordinateur.
 - **HDMI** (meilleure qualité) : Connecter un câble HDMI (inclus) à partir du port **HDMI** du moniteur sur l'ordinateur.
 - **VGA** (bonne qualité) : Connecter un câble VGA (non inclus) à partir du port **VGA IN** du moniteur sur l'ordinateur.
3. Pour une connexion VGA, connecter un câble AUX de 3,5 mm à partir de la prise **AUDIO IN** du moniteur à l'ordinateur.

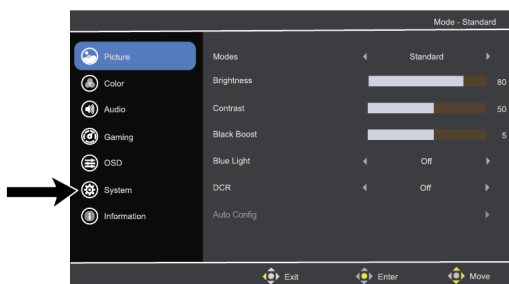
Remarque : Les ports DisplayPort et HDMI transmettent les signaux audio. Le câble VGA nécessite cette connexion supplémentaire.



4. **Moniteur de 27 pouces uniquement** : Connecter un câble USB ou USB de type B du moniteur à l'imprimante, au clavier, à la souris ou à un autre périphérique. Les périphériques USB chargent quand le moniteur est mis sous tension. Quand le moniteur est mis hors tension, la charge s'arrête.



5. Rebrancher les câbles d'alimentation de l'ordinateur et du moniteur.
6. Mettre le moniteur et l'ordinateur sous tension. Le moniteur se connectera à la source correcte automatiquement. Si nécessaire, choisir l'entrée source en navigant dans la section **Système > Entrée** du menu du moniteur. Voir "Utilisation du bouton de commande" on page 23 pour de plus amples informations.



Installation d'un câble de verrouillage

Le moniteur peut être fixé à un objet fixe à l'aide d'un câble de verrouillage (non fourni).

Utilisation du bouton de commande

Utiliser les 5 positions du bouton de commande pour naviguer dans le menu principal du moniteur :

- ▶ **Pression brève** : Met le moniteur sous tension ou ouvre le menu quand le moniteur est mis sous tension.
- ▶ **Pression prolongée** : Met le moniteur hors tension.
- ▶ **Vers le haut ou le bas, vers la gauche ou la droite** : Appuyer pour ouvrir le menu, puis utiliser les flèches directionnelles pour régler les paramètres. Une fois terminé, appuyer sur la gauche pour revenir d'un niveau jusqu'à ce que le menu soit fermé.



Réglage des paramètres

Appuyer brièvement ou déplacer le bouton de commande vers le haut, vers le bas, vers la gauche ou vers la droite pour ouvrir le menu principal. Utiliser les options des menus suivants : Image, Couleur, Audio, Jeux, OSD (affichage à l'écran), Système et Informations pour régler les paramètres du moniteur.

Une fois terminé, appuyer sur la gauche du bouton de commande de façon répétée pour sortir du menu principal. Voir « Utilisation du bouton de commande » pour plus d'information sur la navigation dans le menu.

Image

- ▶ **Modes** : Optimise la qualité de l'image pour un contenu général. Permet de choisir entre Action, Course, Sports, Utilisateur, Standard, ÉCO, Graphique ou Film.
- ▶ **Luminosité** : Règle la luminosité entre la lumière et le sombre. Choisir un réglage de 0 (le plus sombre) à 100 (le plus lumineux).
- ▶ **Contraste** : Règle la différence entre le niveau lumineux et les noirs des images. Choisir un réglage de 0 (contraste moindre) à 100 (contraste maximum).
- ▶ **Boost du noir** : Règle l'amplitude des niveaux de noirs sur l'écran, rendant les noirs moins noirs. Plus le réglage est élevé, plus l'amplitude sera élevée.
- ▶ **Lumière bleue** : Lorsqu'elle est activée, cette fonction filtre la lumière bleue en ajustant le taux de lumière bleue affiché.
- ▶ **DCR** (Rapport de contraste dynamique) : Règle le rétroéclairage en fonction de ce qui est affiché sur l'écran.
- ▶ **Autoréglage** (mode VGA uniquement) : Règle l'image automatiquement.
- ▶ **H. Position** (mode VGA uniquement) : Règle la position horizontale de 0 à 100.
- ▶ **V. Position** (mode VGA uniquement) : Règle la position verticale de 0 à 100.
- ▶ **Netteté** (mode VGA uniquement) : Règle la netteté de 0 à 100.
- ▶ **Fréquence** (mode VGA uniquement) : Règle la fréquence de 0 à 100.

Couleur :

- ▶ **Gamma (Facteur de contraste de la couleur)** : Règle le ton de la luminosité. La valeur par défaut est 2.2 (valeur normale pour Windows).
- ▶ **Temp. Couleur** : Modifie la température de la couleur de l'image. Choisir entre Chaud, Normal, Clair ou Utilisateur. La valeur par défaut est Chaud.

Audio

- ▶ **Volume** : Règle le volume.
- ▶ **Muet** : Allume ou éteint le son (Allumé/Éteinte).

Jeux

- ▶ **Taux de réaction** : Empêche le flou directionnel dans les images en mouvement rapide. Choisir entre Éteinte, Normal ou Extrême.
- ▶ **Adaptive-Sync (Synchronisation adaptable)** : Quand ce paramètre est activé, cela élimine les ondulations et les interruptions. La valeur par défaut est activée (Allumé).
- ▶ **N tx rafraîchit (Fréquence de rafraîchissement numérique)** : Affiche le rafraîchissement d'écran actuel.

OSD (Affichage à l'écran)

- ▶ **Langue** : Règle la langue du menu OSD. Permet de choisir entre English / Русский / Deutsch / Français / Español / Italiano / Hollands / Finnish / Turkish / Polish / Portuguese / Brazilian Portuguese / 繁體中文 (Traditional Chinese) / 简体中文 (Simplified Chinese) / 日本語 (Japanese) / 한국어 / عربي / Svenska
- ▶ **Délai de l'OSD** : Règle le délai avant la désactivation du menu OSD.
- ▶ **Transparence** : Règle la transparence du menu OSD.

Système

- ▶ **Entrée** : Sélectionne la source dans la source d'entrées disponibles.
- ▶ **Source auto** : Cherche automatiquement les sources d'entrées disponibles.
- ▶ **Mode large** : Sélectionne le format d'image de l'écran.
- ▶ **DDC/CI** : Règle les paramètres du moniteur avec un logiciel de l'ordinateur.

Informations

- ▶ Affiche les informations de base de l'appareil.
- ▶ **Réinitialisation de tous les paramètres** : Réinitialise tous les paramètres aux valeurs d'origine.

Nettoyage et entretien

Pour nettoyer l'écran du moniteur :

1. Mettre hors tension le moniteur et débrancher l'adaptateur d'alimentation.
2. Vaporiser une solution de nettoyage sans solvant sur un chiffon doux et essuyer doucement l'écran.

ATTENTION

- ▶ Ne jamais vaporiser ou verser directement un liquide quelconque sur l'écran ou sa lunette.
- ▶ Ne pas utiliser d'ammoniaque ou de produits de nettoyage à base d'alcool sur l'écran du moniteur ou la lunette.

Problèmes et solutions

Problème	Solutions
Aucune image (la LED est allumée)	<ul style="list-style-type: none"> ▶ Vérifier que l'ordinateur est allumé. ▶ Vérifier que le câble (DisplayPort, HDMI ou VGA) est correctement connecté en toute sécurité au moniteur et à l'ordinateur. ▶ Vérifier que le câble n'est pas endommagé. Ouvrir le menu pour augmenter les paramètres de la luminosité et du contraste, ou réinitialiser les paramètres par défaut du moniteur. ▶ Vérifier que la source d'entrée correcte a bien été sélectionnée. À partir du menu aller à Système > Entrée.

Problème	Solutions
Aucune image (la LED est éteinte)	<ul style="list-style-type: none"> ▶ S'assurer que le câble d'alimentation est correctement connecté et alimenté. ▶ Pour allumer le moniteur, maintenir appuyé le bouton de commande.
Image anormale	<ul style="list-style-type: none"> ▶ Des sources d'entrée différentes peuvent avoir des formats d'image différents. Essayer de régler le format d'image dans le menu.
L'affichage de la couleur est anormal	<ul style="list-style-type: none"> ▶ Vérifier la connexion par câble (DisplayPort, HDMI ou VGA) pour s'assurer que la connexion est sécurisée. ▶ Vérifier que le câble (DisplayPort, HDMI ou VGA) n'est pas endommagé ou n'a pas des broches tordues. ▶ Essayer un autre câble. ▶ Régler le Mode d'image ou Temp. Couleur pour modifier la couleur de l'écran.
Pas de son ou le son est très faible	<ul style="list-style-type: none"> ▶ Vérifier que le câble audio est connecté. Les câbles DisplayPort et HDMI transmettent les signaux audio, le câble VGA requiert une connexion additionnelle AUX de 3,5 mm. ▶ Vérifier que les haut-parleurs du moniteur ne sont pas mis en sourdine. ▶ Augmenter le volume sur l'ordinateur.
La fréquence de rafraîchissement n'atteint pas 100 Hz	<ul style="list-style-type: none"> ▶ Assurez-vous que le port de votre ordinateur prend en charge la haute définition intégrale (HD intégrale) à 100 Hz. Visitez le site Web du fabricant pour obtenir plus d'informations. ▶ Assurez-vous que la carte graphique de votre ordinateur prend en charge une sortie de 100 Hz et que ses pilotes sont à jour. Visitez le site Web du fabricant pour télécharger et installer les derniers pilotes. ▶ Assurez-vous d'avoir branché un câble qui prend en charge 100 Hz (comme un câble DisplayPort ou HDMI 1.4). ▶ Ouvrez les paramètres d'affichage avancés de votre ordinateur et réglez la fréquence de rafraîchissement à 100 Hz.
Le socle du moniteur est instable	<ul style="list-style-type: none"> ▶ Assurez-vous que le bras et la base de soutien sont correctement alignés. Reportez-vous à la section "Fixation de la base du moniteur" on page 20 pour obtenir plus d'informations.
Je ne sais pas comment régler l'affichage à l'écran ni comment allumer ou éteindre ce dernier	<ul style="list-style-type: none"> ▶ Assurez-vous d'utiliser le bouton de commande situé à l'arrière du moniteur pour l'allumer ou l'éteindre. ▶ Utilisez ce bouton pour régler l'affichage à l'écran. Voir "Utilisation du bouton de commande" on page 23 pour obtenir plus d'informations.

Caractéristiques

Moniteur de 24 pouces

Inclut B0CP7QLM3G/B0CP7S6TLR/B0CP7TRZWR/B0CP91ZJF9

Entraîneur	Écran de couleur LCD TFT
Taille de l'image visible	23,8 po (60 cm) de large
Taille de pixel	0,2745 mm (H) x 0,2745 mm (V)
Temps de réponse	5 ms GTG
Plage de numérisation horizontale	VGA : 30 à 85 KHz HDMI : 30 à 120 KHz DisplayPort : 30 à 120 KHz

Plage de numérisation verticale	VGA : 48 à 75 KHz HDMI : 48 à 100 KHz DisplayPort : 48 à 100 KHz
Taille de la numérisation (max.)	Horizontal : 527 mm Vertical : 296 mm
Couleurs de l'affichage	16,7 M Couleurs
Résolution max.	1920 x 1080 à 75 Hz (VGA) 1920 x 1080 à 100 Hz (HDMI/DP)
Prêt à l'emploi	VESA DDCCI/DCC2B
Consommation d'électricité	Mode marche : 18 W (normal) Mode attente : < 0,5 W Mode arrêt : < 0,3 W
Types de connecteurs	HDMI 1.4 x 1 VGA (D-Sub) x 1 DP 1.2 x 1 Prise d'entrée audio 3,5 mm Prise de sortie audio 3,5 mm (sortie casque)
Vidéo	Interface D-Sub Interface HDMI Interface DP
Alimentation	Entrée : 100 à 240 V, 50/60 Hz
Conditions environnementales	Température de fonctionnement : 0 à 40 °C Température de rangement : -20 à 60 °C Humidité de fonctionnement : 20 à 80 %
Modèle VESA	100 x 100 mm

Remarque : Les données de consommation électrique sont basées sur les conditions de test standard ErP.

Moniteur de 27 pouces

Inclut B0CP7R6KDQ/B0CP7Q9P14/B0CP7RZRMD/B0CP928BL3

Entraîneur	Écran de couleur LCD TFT
Taille de l'image visible	27 po (69 cm) de large
Taille de pixel	0,3114 mm (H) x 0,3114 mm (V)
Temps de réponse	5 ms GTG
Plage de numérisation horizontale	VGA : 30 à 85 KHz HDMI : 30 à 120 KHz DisplayPort : 30 à 120 KHz
Plage de numérisation verticale	VGA : 48 à 75 KHz HDMI : 48 à 100 KHz DisplayPort : 48 à 100 KHz
Taille de la numérisation (max.)	Horizontal : 598 mm Vertical : 336 mm
Couleurs de l'affichage	16,7 M Couleurs
Résolution max.	1920 x 1080 à 75 Hz (VGA) 1920 x 1080 à 100 Hz (HDMI/DP)

Prêt à l'emploi	VESA DDCI/DDC2B
Consommation d'électricité	Mode marche : 21 W (normal) Mode attente : < 0,5 W Mode arrêt : < 0,3 W
Types de connecteurs	HDMI 1.4 x 1 VGA (D-Sub) x 1 DP 1.2 x 1 USB type-A (USB 3.2 Gén 1x3, USB 3.2 chargeur rapide x1) USB type-B (USB amont x1) Prise d'entrée audio 3,5 mm Prise de sortie audio 3,5 mm (sortie casque)
Vidéo	Interface D-Sub Interface HDMI Interface DP
Alimentation	Entrée : 100 à 240 V, 50/60 Hz
Conditions environnementales	Température de fonctionnement : 0 à 40 °C Température de rangement : -20 à 60 °C Humidité de fonctionnement : 20 à 80 %
Modèle VESA	100 x 100 mm

Remarque : Les données de consommation électrique sont basées sur les conditions de test standard ErP.

Déclaration de conformité FCC du fournisseur :

Identifiant unique	Moniteurs d'Amazon Basics de 24 ou 27 pouces, FHD 1080P, Max. 100 Hz, compatible VESA, haut-parleurs intégrés B0CP7RZRMD/B0CP7TRZWR
Partie responsable	Amazon.com Services LLC.
Coordonnées du contact aux É.-U.	410 Terry Ave N. Seattle, WA 98109, États-Unis
Numéro de téléphone	(206) 266-1000

Déclaration de conformité FCC

- Cet appareil est conforme à l'article 15 du règlement de la FCC. Son fonctionnement est soumis aux deux conditions suivantes :
 - Ce périphérique ne doit pas émettre d'interférences préjudiciables, et
 - Ce périphérique doit accepter toutes les interférences reçues, y compris celles pouvant provoquer un fonctionnement préjudiciable.
- Tous changements ou modifications qui ne seraient pas expressément approuvés par les responsables des normes pourraient rendre nul le droit de l'utilisateur d'utiliser cet équipement.

Déclaration FCC sur les interférences

Cet équipement a été testé et déclaré conforme aux limitations prévues dans le cadre de la catégorie B des appareils numériques, définies par l'article 15 du règlement de la FCC. Ces limites ont été établies pour fournir une protection raisonnable contre les interférences préjudiciables lors d'une installation résidentielle.

Cet équipement génère, utilise et diffuse des ondes radio et, s'il n'est pas installé et utilisé conformément aux instructions dont il fait l'objet, il peut provoquer des interférences préjudiciables aux communications radio. Cependant, il n'est pas possible de garantir qu'aucune interférence ne se produira pour une installation particulière. Si cet équipement cause des interférences gênant la réception d'ondes radio ou télévisées (déterminé en éteignant et en rallumant l'équipement), il est recommandé que


l'utilisateur tente de corriger le problème en suivant au moins l'une des mesures suivantes :

- ▶ réorienter ou déplacer l'antenne réceptrice;
- ▶ augmenter l'écartement de l'équipement par rapport au récepteur;
- ▶ brancher l'équipement sur une prise d'un circuit différent de celui sur lequel le récepteur est branché;
- ▶ contacter le revendeur ou un technicien radio ou télévision qualifié pour toute assistance.

Déclaration d'Industrie Canada

Cet appareil numérique de classe B est conforme à la norme ICES (B)/NMB (B) du Canada.

Mise au rebut (pour l'Europe seulement)

 Les lois sur les déchets d'équipements électriques et électroniques (DEEE) visent à réduire au minimum l'incidence des produits électriques et électroniques sur l'environnement et la santé humaine en augmentant la réutilisation et le recyclage et en réduisant la quantité de DEEE mis en décharge. La présence du symbole apposé sur ce produit ou sur son emballage indique que ce produit doit être mis au rebut séparément des déchets ménagers ordinaires à la fin de sa vie utile. Il vous incombe de mettre au rebut les équipements électroniques dans des centres de recyclage afin de préserver les ressources naturelles. Chaque pays doit disposer de ses propres centres de collecte pour le recyclage des équipements électriques et électroniques. Pour obtenir des renseignements sur votre lieu de dépôt pour le recyclage, veuillez contacter l'autorité de gestion des déchets d'équipements électriques et électroniques compétente, votre bureau municipal local ou votre service de traitement des ordures ménagères.

Marque commerciale (MC)

HDMI™ Les termes HDMI, High-Definition Multimedia Interface (Interface multi-média haute définition) et le logo HDMI sont des marques de commerce, ou des marques déposées de HDMI Licensing Administrator, Inc.

Information des consommateurs sur la règle de tri (pour la France)

 **FR**
Cet appareil, ses accessoires et ses cordons se recyclent

REPRISE À LA LIVRAISON OU À DÉPOSER EN MAGASIN OU À DÉPOSER EN DÉCHÈTERIE

Points de collecte sur www.quefairedemesdechets.fr

Vos avis et aide

Nous serions ravis de connaître votre avis. N'hésitez pas à attribuer une note et à nous faire part de vos commentaires par le biais de vos bons de commande. Si vous avez besoin d'aide concernant un produit, connectez-vous à votre compte et accédez à la page de contact du service client.

Inhalt

Sicherheitshinweise	30
Verpackungsinhalt.....	31
Übersicht über die Produktkomponenten	31
Einrichtung des Monitors	33
Verwendung des Monitors.....	34
Reinigung und Wartung	37
Fehlersuche und -beseitigung	38
Technische Daten.....	39
Entsorgung (nur für Europa)	40
Marken.....	41
Feedback und Hilfe.....	41

Sicherheitshinweise

Lesen Sie die folgende Anleitung sorgfältig durch und bewahren Sie sie zum Nachschlagen auf.

1. Verwenden Sie nur den im Lieferumfang des Monitors enthaltenen Netzadapter. Verwenden Sie den Netzadapter nicht mit anderen Produkten.
2. Positionieren Sie den Monitor nicht in der Nähe eines Fensters. Regen, Feuchtigkeit oder direktes Sonnenlicht kann den Monitor schwer beschädigen.
3. Die Entlüftungsöffnungen an der Rückseite des Monitors dürfen nicht durch irgendwelche Gegenstände wie Zeitungen, Tischdecken oder Vorhänge blockiert werden.
4. Drücken Sie nicht auf den LCD-Bildschirm. Ein übermäßig starkes Drücken kann dauerhafte Schäden am Display verursachen.
5. Nehmen Sie nicht das Gehäuse ab und versuchen Sie nicht, das Gerät selbst zu reparieren. Alle Wartungsarbeiten müssen von einem autorisierten Techniker durchgeführt werden.
6. Lagern Sie den Monitor in einem Raum mit einer Temperatur zwischen -20 °C–60 °C (-4 °F–140 °F). Wenn der Monitor außerhalb dieses Bereichs gelagert wird, können dauerhafte Schäden entstehen.
7. Ziehen Sie den Netzadapter des Monitors sofort ab und setzen Sie sich mit einem autorisierten Techniker in Verbindung, falls Folgendes vorliegt:
 - a. Das Signalkabel zwischen Monitor und Computer ist abgenutzt oder beschädigt.
 - b. Flüssigkeit wurde auf den Monitor verschüttet oder der Monitor war Regen ausgesetzt.
 - c. Der Monitor oder das Gehäuse ist beschädigt.
8. Dieses Gerät ist nicht zur Verwendung an Orten geeignet, an denen wahrscheinlich Kinder anwesend sind.
9. Lesen Sie die Anweisungen durch, um das korrekte und sichere Installieren und Anschließen des Geräts zu gewährleisten.
10. Der Stromstecker/Gerätestecker wird als Trennvorrichtung verwendet. Die Trennvorrichtung muss sich in einem guten Betriebszustand befinden.
11. Dieser Monitor muss mit der auf dem Typenschild angegebenen Stromversorgung betrieben werden. Wenn Sie sich bezüglich der verfügbaren Stromversorgung nicht sicher sind, wenden Sie sich an Ihren Händler oder den örtlichen Energieversorger.
12. Wenn der Netzadapter Ihres Monitors über einen geerdeten Stecker verfügt, benutzen Sie ihn mit einer geerdeten Steckdose.
13. Dieser Monitor ist ausschließlich für den Gebrauch in trockenen Innenbereichen bestimmt.



⚠ ACHTUNG **Erstickenrisiko!** Halten Sie Verpackungsmaterialien von Kindern und Haustieren fern – diese Materialien sind eine potenzielle Gefahrenquelle (z. B. Erstickengefahr).

Anweisungen für ein sicheres Hörerlebnis

So vermeiden Sie mögliche Gehörschäden:

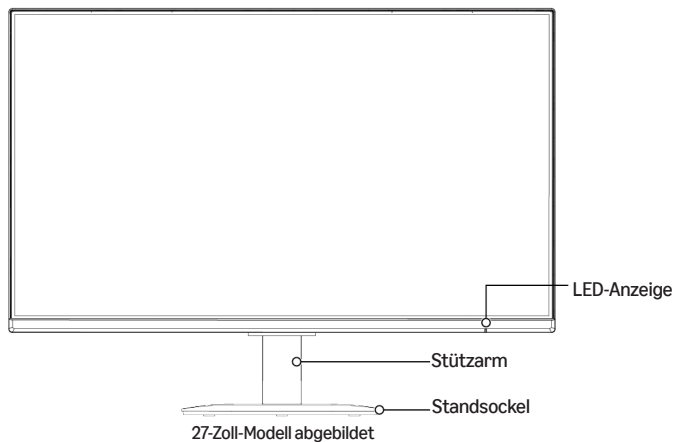
- ▶ Stellen Sie die Lautstärke nicht über längere Zeiträume hinweg auf hohe Pegel ein.
- ▶ Erhöhen Sie die Lautstärke allmählich, anstatt mit einem Mal einen sehr hohen Pegel einzustellen.
- ▶ Erhöhen Sie die Lautstärke nicht weiter, wenn sie so eingestellt ist, dass der Ton angenehm, deutlich und verzerrungsfrei ist.

Verpackungsinhalt

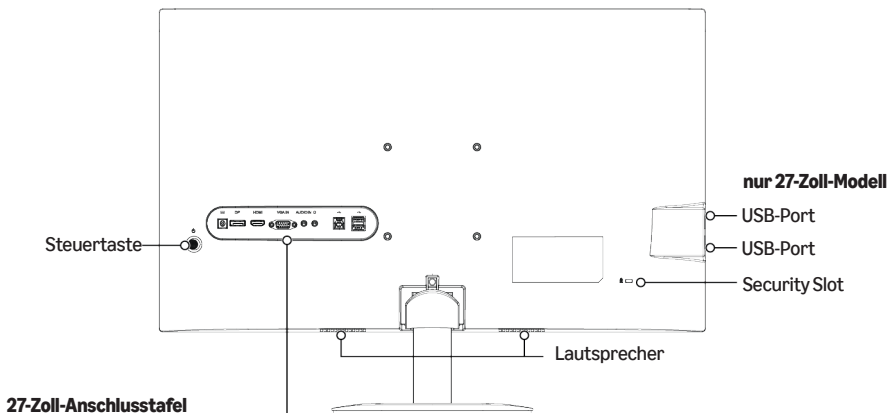
- ▶ Monitor
- ▶ Stützarm
- ▶ Standsockel
- ▶ Kurzanleitung
- ▶ Netzadapter
- ▶ Netzkabel (nur 27-Zoll-Modell)
- ▶ HDMI-Kabel

Übersicht über die Produktkomponenten

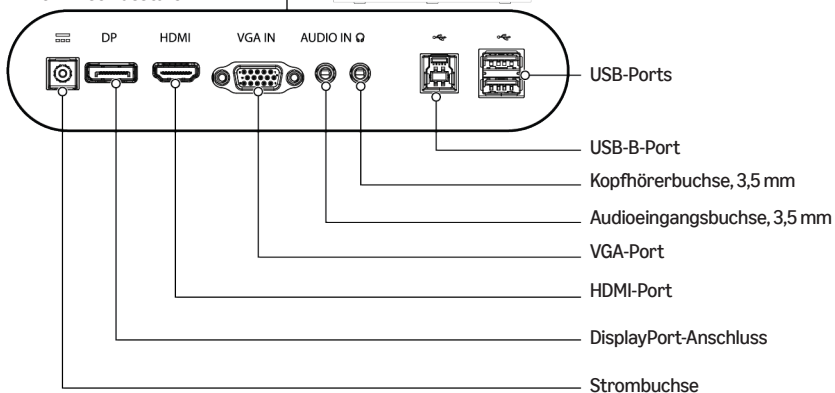
24- und 27-Zoll-Monitor – Vorderseite



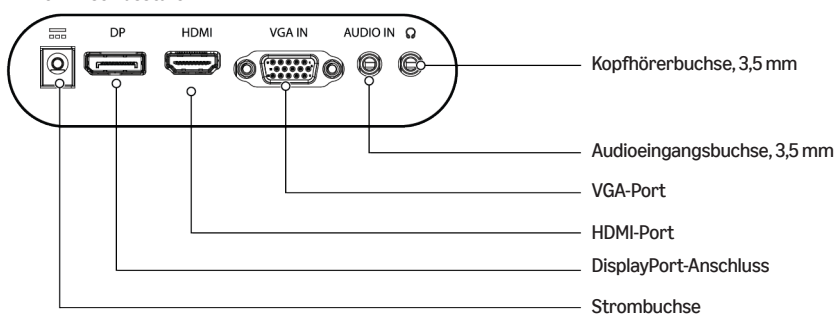
24- und 27-Zoll-Monitor – Rückseite



27-Zoll-Anschlussstafel



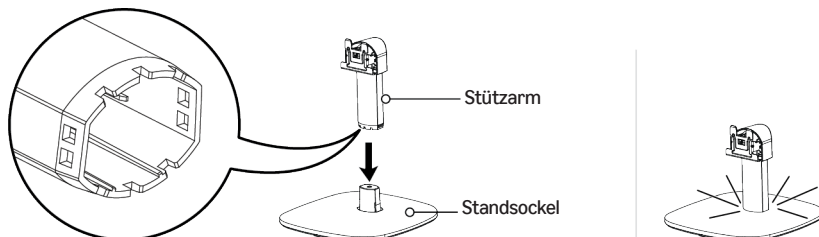
24-Zoll-Anschlussstafel



Einrichtung des Monitors

Anbringen des Standsockels

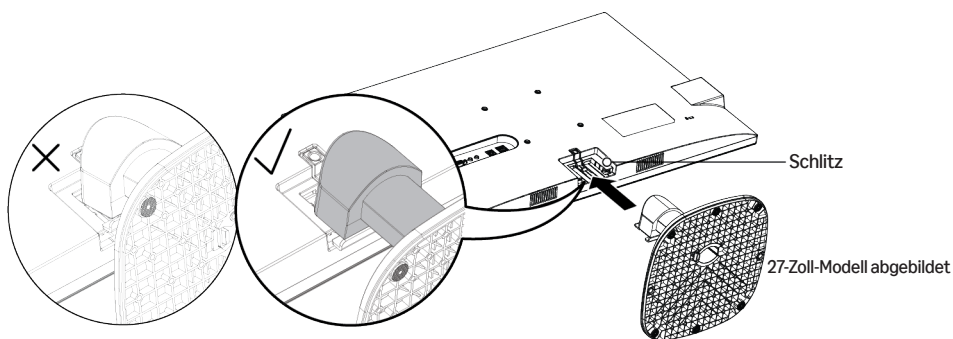
1. Legen Sie den Monitor mit der Displayseite nach unten vorsichtig auf eine weiche Oberfläche, um ein Verkratzen zu vermeiden.
2. Drücken Sie den Stützarm in den Standsockel. Sie hören ein Klicken, wenn der Tragarm und die Basis richtig miteinander verbunden sind.



27-Zoll-Modell abgebildet

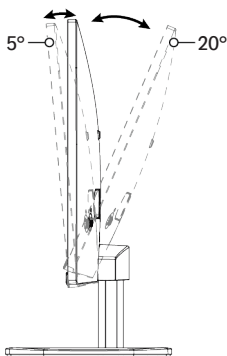
3. Schieben Sie den oberen Teil des Stützarms in den Schlitz auf der Rückseite des Monitors. Wenn der Stützarm richtig angebracht ist, hören Sie ein Klicken.

Hinweis: Bei der Installation der Basis auf dem Monitor sollte diese wie in der Abbildung gezeigt horizontal eingesetzt werden, bis ein Klicken zu hören ist. Wenn sie nicht horizontal eingesetzt wird, kann die Basis den Monitor nicht fixieren.



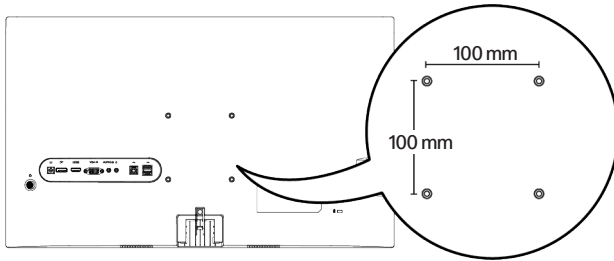
Anpassen des Betrachtungswinkels

Vermeiden Sie beim Anpassen des Monitors eine Berührung des Bildschirms und halten Sie den Ständer fest, damit er nicht umkippt. Der Monitor kann bis zu 5° nach vorne und bis zu 20° nach hinten geneigt werden.



Installation mit einem Wandmontage-Kit

Verwenden Sie ein VESA-Montagekit (nicht im Lieferumfang enthalten), das ein Lochmuster von 100 x 100 mm enthält und über 4 Schrauben (M4 x 10 mm) verfügt, um den Monitor an einer Halterung zu befestigen.

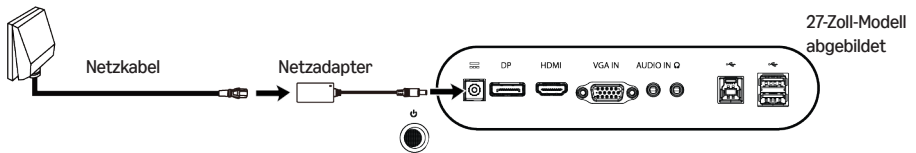


27-Zoll-Modell abgebildet

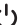
Verwendung des Monitors

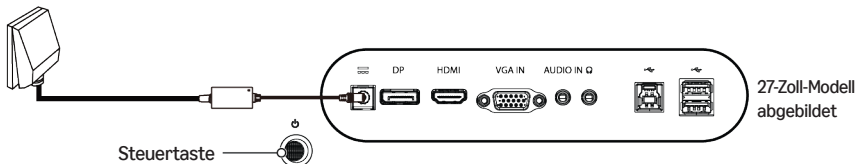
Stromversorgung des Monitors

1. **Nur 27-Zoll-Modell:** Schließen Sie das Netzkabel am Netzadapter an.
2. Verbinden Sie den an der Strombuchse des Monitors angeschlossenen Netzadapter mit einer Netzsteckdose.



27-Zoll-Modell abgebildet

3. Zum Einschalten des Monitors drücken Sie kurz die Steuertaste .



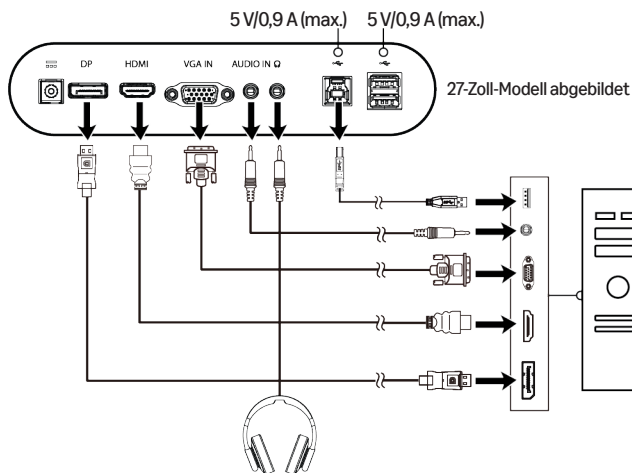
27-Zoll-Modell abgebildet

4. Zum Ausschalten des Monitors drücken Sie die Steuertaste  und halten sie gedrückt.

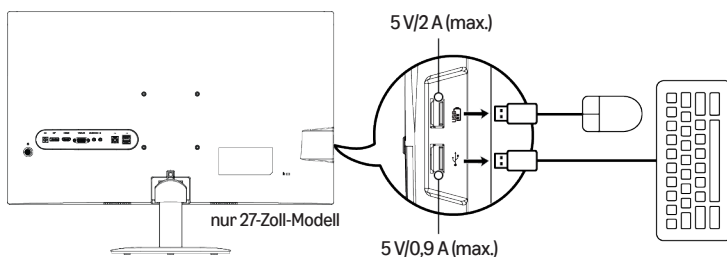
Anschließen an einen Computer

1. Schalten Sie den Computer und Monitor aus und ziehen Sie beide Netzkabel ab.
2. Wählen Sie einen Anschlussstyp:
 - ▶ **DisplayPort** (beste Qualität): Verbinden Sie ein DisplayPort-Kabel (nicht im Lieferumfang enthalten) über den **DP**-Port Ihres Monitors mit Ihrem Computer.
 - ▶ **HDMI** (bessere Qualität): Verbinden Sie ein HDMI-Kabel (im Lieferumfang enthalten) über den **HDMI**-Port Ihres Monitors mit Ihrem Computer.
 - ▶ **VGA** (gute Qualität): Verbinden Sie ein VGA-Kabel (nicht im Lieferumfang enthalten) über den **VGA IN**-Port Ihres Monitors mit Ihrem Computer.
3. Wenn Sie die VGA-Option wählen, verbinden Sie ein 3,5-mm-AUX-Kabel über die **AUDIO IN**-Buchse mit Ihrem Computer.

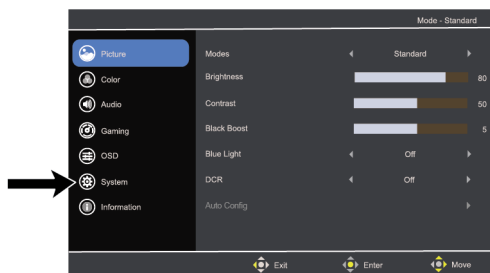
Hinweis: DisplayPort und HDMI übertragen Audiosignale. Bei Verwendung der VGA-Option ist dafür eine zusätzliche Verbindung erforderlich.



4. **Nur 27-Zoll-Monitor:** Verbinden Sie den Monitor über ein USB- oder USB-B-Kabel mit Drucker, Tastatur, Maus oder einem sonstigen Peripheriegerät. Während der Monitor eingeschaltet ist, werden USB-Geräte aufgeladen. Nach dem Ausschalten des Monitors stoppt der Ladevorgang.



5. Schließen Sie die Netzkabel des Computers und Monitors wieder an.
6. Schalten Sie Monitor und Computer ein. Ihr Monitor sollte automatisch auf die richtige Quelle umschalten. Wählen Sie nach Bedarf Ihre Eingangsquelle, indem Sie im Menü des Monitors zu **System > Eingang** navigieren. Weitere Informationen finden Sie unter "Verwendung der Steuertaste" on page 36.



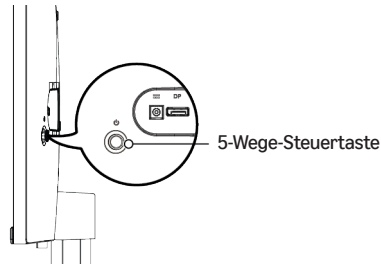
Installieren eines Kabelschlosses

Der Monitor kann mit einem Kabelschloss (nicht im Lieferumfang enthalten) an einem stationären Objekt befestigt werden.

Verwendung der Steuertaste

Mit der 5-Wege-Steuertaste können Sie im Hauptmenü des Monitors navigieren:

- ▶ **Kurzes Drücken:** Schaltet den Monitor ein oder öffnet das Menü, wenn der Monitor eingeschaltet ist.
- ▶ **Langes Drücken:** Schaltet den Monitor aus.
- ▶ **Auf/Ab/Links/Rechts:** Drücken Sie die Taste, um das Menü zu öffnen, und verwenden Sie dann die Richtungspfeile zum Anpassen der Einstellungen. Drücken Sie zum Abschluss den linken Richtungspfeil, um durch die Ebenen zurückzunavigieren, bis das Menü geschlossen ist.



Anpassen der Einstellungen

Drücken Sie kurz die Steuertaste oder bewegen Sie sie sie aufwärts, abwärts, nach links oder rechts, um das Hauptmenü zu öffnen. Verwenden Sie die Optionen in den Menüs Bild, Farbe, Audio, Spiel, OSD (Bildschirmanzeige), System und Info, um die Einstellungen des Monitors anzupassen.

Wenn Sie fertig sind, drücken Sie wiederholt den linken Richtungspfeil an der Steuertaste, um das Hauptmenü zu beenden. Weitere Informationen über das Navigieren durch das Menü finden Sie unter „Verwendung der Steuertaste“.

Bild

- ▶ **Modi:** Optimiert die Bildqualität für allgemeine Inhalte. Sie haben die Wahl zwischen Action, Rennen, Sport, Nutzer, Standard, Öko, Grafiken oder Film.
- ▶ **Helligkeit:** Passt den Abgleich zwischen hellen und dunklen Schattierungen an. Wählen Sie eine Einstellung von 0 (am dunkelsten) bis 100 (am hellsten).
- ▶ **Kontrast:** Passt den Differenzwert zwischen hellen und dunklen Bereichen an. Wählen Sie eine Einstellung von 0 (geringster Kontrast) bis 100 (stärkster Kontrast).
- ▶ **Schwarzverst.:** Verstärkt die dunklen Farbpegel des Displays, wodurch das Schwarz weniger schwarz wirkt. Je höher der Wert, desto höher die Verstärkung.
- ▶ **Blaulicht:** Beim Aktivieren dieser Einstellung wird Blaulicht herausgefiltert, indem das Verhältnis des angezeigten Blaulichts angepasst wird.
- ▶ **DCR** (Dynamisches Kontrastverhältnis): Passt die Hintergrundbeleuchtung basierend auf der Anzeige auf Ihrem Bildschirm an.
- ▶ **Autom. Abgl.** (nur VGA-Modus): Passt das Bild automatisch an.
- ▶ **H. Position** (nur VGA-Modus): Passt die horizontale Position von 0 bis 100 an.
- ▶ **V. Position** (nur VGA-Modus): Passt die vertikale Position von 0 bis 100 an.
- ▶ **Fokus** (nur VGA-Modus): Passt den Fokus von 0 bis 100 an.
- ▶ **Takt** (nur VGA-Modus): Passt die Taktfrequenz von 0 bis 100 an.

Farbe

- ▶ **Gamma:** Passt die Leuchtdichte an. Der Standardwert ist 2,2 (Standardwert für Windows).
- ▶ **Farbtemp.:** Ändert die Farbtemperatur. Sie haben die Wahl zwischen Warm, Normal, Kalt oder Anwender. Die Standardeinstellung ist „Warm“.

Audio

- ▶ **Lautstärke:** Passt die Lautstärke an.
- ▶ **Stumm:** Schaltet den Ton ein oder aus.

Spiel

- ▶ **Over Drive:** Verhindert das Entstehen von Geisterbildern in schnellen Bewegtbildern. Sie haben die Wahl zwischen Aus, Normal oder Extrem.
- ▶ **Adaptive-Sync:** Wenn diese Option aktiviert ist, verhindert sie optische Abbrüche und Stottern. Die Standardeinstellung ist „Ein“.
- ▶ **Akt.-Freq.-Nr.:** Zeigt die aktuelle Aktualisierungsrate des Bildschirms an.

OSD (Bildschirmanzeige)

- ▶ **Sprache:** Legt die Menüsprache für die Bildschirmanzeige fest. Sie haben die Wahl zwischen English / Русский / Deutsch / Français / Español / Italiano / Hollands / Finnish / Turkish / Polish / Portugese / Brazilian Portugese / 繁體中文 (Traditional Chinese) / 简体中文 (Simplified Chinese) / 日本語 (Japanese) / 한국어 / عربي / Svenska
- ▶ **OSD-Dauer:** Passt die Verzögerungszeit an, bevor das OSD-Menü ausgeschaltet wird.
- ▶ **Transparenz:** Passt die Transparenz des OSD-Menüs an.

System

- ▶ **Eingang:** Wählt eine verfügbare Eingangsquelle.
- ▶ **Auto-Quelle:** Sucht automatisch nach verfügbaren Eingangsquellen.
- ▶ **Bildformate:** Wählt das Seitenverhältnis des Bildschirms aus.
- ▶ **DDC/CI:** Ermöglicht das Festlegen der Monitoreinstellungen über Software auf Ihrem Computer.

Info

- ▶ Zeigt grundlegende Informationen des Computers an.
- ▶ **Alle Einst. rücksetzen:** Setzt alle Einstellungen auf die Werkseinstellungen zurück.

Reinigung und Wartung

So reinigen Sie den Monitorbildschirm:

1. Schalten Sie den Monitor aus und ziehen Sie den Netzadapter ab.
2. Sprühen Sie ein lösungsmittelfreies Reinigungsprodukt auf ein weiches Tuch und wischen Sie den Bildschirm vorsichtig ab.

VORSICHT

- ▶ Sprühen oder schütten Sie Flüssigkeit nicht direkt auf den Bildschirm oder die Blende.
- ▶ Verwenden Sie keine ammoniak- oder alkoholbasierten Reinigungsmittel auf dem Bildschirm oder der Blende des Monitors.

Fehlersuche und -beseitigung

Problem	Lösungen
Kein Bild (LED ist eingeschaltet)	<ul style="list-style-type: none"> ▶ Stellen Sie sicher, dass der Computer eingeschaltet ist. ▶ Stellen Sie sicher, dass Ihr Kabel (DisplayPort, HDMI oder VGA) sicher und korrekt am Monitor und Computer angebracht ist. ▶ Stellen Sie sicher, dass das Kabel nicht beschädigt ist. Öffnen Sie das Menü, um die Einstellungen für „Helligkeit“ und „Kontrast“ anzupassen, oder setzen Sie den Monitor auf die Standardeinstellungen zurück. ▶ Vergewissern Sie sich, dass Sie die richtige Eingangsquelle gewählt haben. Navigieren Sie vom Menü aus zu System > Eingang.
Kein Bild (LED ist ausgeschaltet)	<ul style="list-style-type: none"> ▶ Stellen Sie sicher, dass das Netzkabel angeschlossen ist und mit Strom versorgt wird. ▶ Drücken und halten Sie die Steuertaste gedrückt, um den Monitor einzuschalten.
Bild wird nicht normal angezeigt	<ul style="list-style-type: none"> ▶ Verschiedene Eingangsquellen können verschiedene Seitenverhältnisse haben. Versuchen Sie, das Seitenverhältnis im Menü anzupassen.
Die Farben werden nicht normal angezeigt	<ul style="list-style-type: none"> ▶ Prüfen Sie die Kabelverbindung (DisplayPort, HDMI oder VGA) auf sicheren Sitz. ▶ Vergewissern Sie sich, dass Ihr Kabel (DisplayPort, HDMI oder VGA) nicht beschädigt ist bzw. dass die Stifte nicht verbogen sind. ▶ Versuchen Sie es mit einem anderen Kabel. ▶ Passen Sie Modus oder Farbtemp. des Bildes an, um die Displayfarbe zu ändern.
Kein Ton bzw. Ton ist zu leise	<ul style="list-style-type: none"> ▶ Stellen Sie sicher, dass ein Audiokabel angeschlossen ist. DisplayPort- und HDMI-Kabel übertragen Audiosignale, und VGA-Kabel erfordern einen zusätzlichen 3,5-mm-AUX-Anschluss. ▶ Vergewissern Sie sich, dass die Lautsprecher des Monitors nicht stummgeschaltet sind. ▶ Erhöhen Sie die Lautstärke am Computer.
Die Bildwiederholfrequenz erreicht nicht 100 Hz	<ul style="list-style-type: none"> ▶ Stellen Sie sicher, dass der Anschluss Ihres Computers FHD (Full High Definition) mit 100 Hz unterstützt. Besuchen Sie die Website des Herstellers für weitere Informationen. ▶ Stellen Sie sicher, dass die Grafikkarte Ihres Computers einen Ausgang von 100 Hz unterstützt und dass die Treiber auf dem neuesten Stand sind. Besuchen Sie die Website des Herstellers, um die neuesten Treiber herunterzuladen und zu installieren. ▶ Stellen Sie sicher, dass Sie ein Kabel verwenden, das 100 Hz unterstützt (z. B. ein DisplayPort- oder HDMI 1.4-Kabel). ▶ Öffnen Sie die erweiterten Anzeigeeinstellungen Ihres Computers und stellen Sie die Bildwiederholfrequenz auf 100 Hz ein.
Der Monitorständer ist instabil	<ul style="list-style-type: none"> ▶ Stellen Sie sicher, dass der Tragarm und die Stützbasis korrekt ausgerichtet sind. Unter "Anbringen des Standsockels" on page 33 erhalten Sie weitere Informationen.
Unklar, wie das On-Screen-Display gesteuert und der Monitor ein-/ausgeschaltet wird	<ul style="list-style-type: none"> ▶ Stellen Sie sicher, dass Sie die Steuerungstaste auf der Rückseite des Monitors verwenden, um den Monitor ein-/auszuschalten. ▶ Verwenden Sie diese Taste, um das On-Screen-Display zu steuern. Unter "Verwendung der Steuertaste" on page 36 erhalten Sie weitere Informationen.

Technische Daten

24-Zoll-Monitor

Umfasst B0CP7QLM3G/B0CP7S6TLR/B0CP7TRZWR/B0CP91ZJF9

Treibersystem	TFT-Farb-LCD
Sichtbare Bildgröße	60 cm B (23,8 Zoll)
Pixelabstand	0,2745 mm (H) x 0,2745 mm (V)
Reaktionszeit	5 ms GtG
Horizontaler Scanbereich	VGA: 30–85 KHz HDMI: 30–120 KHz DisplayPort: 30–120 KHz
Vertikaler Scanbereich	VGA: 48–75 Hz HDMI: 48–100 Hz DisplayPort: 48–100 Hz
Scangröße (max.)	Horizontal: 527 mm Vertikal: 296 mm
Anzeigefarben	16,7 M Farben
Max. Auflösung	1920 x 1080 bei 75 Hz (VGA) 1920 x 1080 bei 100 Hz (HDMI/DP)
Plug & Play	VESA DDCCI/DDC2B
Energieverbrauch	Einschalt-Modus: 18 W (typisch) Standby-Modus: ≤ 0,5 W Ausschalt-Modus: ≤ 0,3 W
Anschlussarten	HDMI 1.4 x 1 VGA (D-Sub) x 1 DP 1.2 x 1 Audiobuchseingang, 3,5 mm Audiobuchsausgang, 3,5 mm (Kopfhörerausgang)
Video	D-Sub-Schnittstelle HDMI-Schnittstelle DP-Schnittstelle
Energiequelle	Eingang: 100–240 V ~ 50/60 Hz
Umgebungsbedingungen	Betriebstemperatur: 0 bis 40 °C (32 bis 104 °F) Lagerungstemperatur: -20 bis 60 °C (-4 bis 140 °F) Betriebsfeuchtigkeit: 20 % bis 80 %
VESA-Muster	100 x 100 mm

Hinweis: Die Daten zum Energieverbrauch basieren auf ErP-Standardprüfbedingungen.

27-Zoll-Monitor

Umfasst B0CP7R6KDQ/B0CP7Q9P14/B0CP7RZRMD/B0CP928BL3

Treibersystem	TFT-Farb-LCD
Sichtbare Bildgröße	69 cm B (27 Zoll)
Pixelabstand	0,3114 mm (H) x 0,3114 mm (V)

Reaktionszeit	5 ms GtG
Horizontaler Scanbereich	VGA: 30–85 KHz HDMI: 30–120 KHz DisplayPort: 30–120 KHz
Vertikaler Scanbereich	VGA: 48–75 Hz HDMI: 48–100 Hz DisplayPort: 48–100 Hz
Scangröße (max.)	Horizontal: 598 mm Vertikal: 336 mm
Anzeigefarben	16,7 M Farben
Max. Auflösung	1920 x 1080 bei 75 Hz (VGA) 1920 x 1080 bei 100 Hz (HDMI/DP)
Plug & Play	VESA DDCCI/DDC2B
Energieverbrauch	Einschalt-Modus: 21 W (typisch) Standby-Modus: ≤ 0,5 W Ausschalt-Modus: ≤ 0,3 W
Anschlussypen	HDMI 1.4 x 1 VGA (D-Sub) x 1 DP 1.2 x 1 USB Typ A (USB 3.2 Gen 1x3, USB 3.2 Schnellladung x1) USB Typ B (USB Upstream x1) Audioeingangsbuchse, 3,5 mm Audioausgangsbuchse, 3,5 mm (Kopfhörerausgang)
Video	D-Sub-Schnittstelle HDMI-Schnittstelle DP-Schnittstelle
Energiequelle	Eingang: 100–240 V ~ 50/60 Hz
Umgebungsbedingungen	Betriebstemperatur: 0 bis 40 °C (32 bis 104 °F) Lagerungstemperatur: -20 bis 60 °C (-4 bis 140 °F) Betriebsfeuchtigkeit: 20 % bis 80 %
VESA-Muster	100 x 100 mm

Hinweis: Die Daten zum Energieverbrauch basieren auf ErP-Standardprüfbedingungen.

Entsorgung (nur für Europa)



Das Gesetz über Elektro- und Elektronik-Altgeräte zielt darauf ab, die Auswirkungen von elektrischen und elektronischen Waren auf die Umwelt und die menschliche Gesundheit zu minimieren, durch Steigerung der Wiederverwendung und des Recyclings sowie durch Reduktion der Anzahl an Elektro- und Elektronik-Altgeräten, die auf Mülldeponien landen. Das Symbol auf dem Produkt oder der Verpackung weist darauf hin, dass das Produkt am Ende seiner Nutzungsdauer separat vom normalen Hausmüll entsorgt werden muss. Beachten Sie, dass es in Ihrer Verantwortung liegt, elektronische Geräte in Recycling-Zentren zu entsorgen, um die natürlichen Ressourcen zu erhalten. Jedes Land sollte Sammelzentren für das Recycling elektrischer und elektronischer Geräte haben. Für Informationen zu Ihren Recycling-Abgabestellen kontaktieren Sie bitte Ihre Abfallwirtschaftsbehörde für Elektro- und Elektronikgeräte, Ihre örtlichen Behörden oder Ihr Abfallentsorgungsunternehmen.

Wenn Sie Elektro- und Elektronikgeräte entsorgen möchten, empfehlen wir Folgendes:

- ▶ Spenden Sie das nicht mehr gewünschte Produkt einer gemeinnützigen Organisation (stellen Sie sicher, dass das Gerät in voll funktionsfähigem Zustand ist).
- ▶ Bringen Sie es zu einer autorisierten Sammelstelle für Altgeräte, die von einer lokalen Behörde betrieben wird.

► Unterstützen Sie nationale Recyclingkampagnen.

Für Geräte bis zu 25cm und mit einem Gewicht von weniger als 30kg können Sie über die Landbell Group ein Prepaid-Etikett erstellen und drucken. Sobald Ihr Artikel richtig verpackt ist, können Sie ihn zu einer der Annahmestellen bringen oder eine Heim-Abholung vereinbaren. Dieser Service ist in Deutschland kostenfrei verfügbar, um alle Elektro- und Elektronik-Geräte bis zu 25cm zu recyceln.

Bei Geräten über 25cm und mit einem Gewicht von mehr als 30kg können Sie eine kostenlose Abholung über die Landbell Group veranlassen. Bitte geben Sie dabei die Bestellnummer des neu bestellten Gerätes an. Sobald Ihre Anfrage bearbeitet wurde, werden Sie kontaktiert, um einen passenden Abholtermin zu verabreden.

Für ausgewählte Geräte mit einer Größe von mehr als 120cm x 60cm x 60cm können Sie die Abholung bereits bei der Bestellung eines neuen Artikels bei Amazon.de veranlassen. Weitere Informationen zu diesem Service finden Sie unter Eine Altgeräte-Entsorgung über Amazon.de bestellen.



**Prepaid-Etikett mit
Landbell Group erstellen**



**Verpackungs-
anweisungen**



**Liste der
Annahmestellen**



**Eine Altgeräte-
Entsorgung über
Amazon.de bestellen**

Tipps zum Löschen persönlicher Daten von Elektro- und Elektronikgeräten

Wenn Sie Eigentümer eines elektronischen Geräts sind, das unter die WEEE-Richtlinie fällt, beispielsweise ein Computer, ein Mobiltelefon, eine Kamera oder ein anderes Gerät, sollten Sie sicherstellen, dass alle persönlichen oder vertraulichen Daten gelöscht werden, bevor Sie das Gerät recyceln lassen. Setzen Sie dazu das Gerät auf die Werkseinstellungen zurück. Diese Aktion erfolgt in der Regel über das Einstellungsmenü des Geräts. Löschen Sie außerdem alle persönlichen oder vertraulichen Daten auf internen Speichermedien (Speicher- oder SIM-Karte). Amazon EU S.à.r.l haftet nicht für die Daten auf Ihrem Gerät. Bevor Sie Ihr Gerät zurücksetzen, sollten Sie:

- Sensible Daten, wie Fotos, Kontakte und Nachrichten sichern.
- Das Gerät, wenn möglich, auf die Werkseinstellungen zurücksetzen.
- Sich bei allen Konten abmelden, bei denen Sie angemeldet sind, z. B. Cloud-Speicher, soziale Medien und Messaging-Apps.

Amazon WEEE Registrierung in Deutschland

Amazon EU S.a.r.L., Niederlassung Deutschland ist registriertes Mitglied der Stiftung ear for Electrical and Electronic Equipment verkauft in Deutschland. Die Registrierungsnummer ist DE89633988.

Kann ich mein Elektro- bzw. Elektronik-Altgerät auch anderweitig entsorgen?

Wenn Ihr Altgerät noch funktioniert oder repariert werden kann, führen Sie es der Wiederverwendung zu, indem Sie es z. B. an eine Wohltätigkeitsorganisation spenden oder an jemanden verschenken. Durch Verlängern der Lebensdauer Ihres Altgeräts tragen Sie dazu bei, dass Ressourcen effizient genutzt werden und zusätzlicher Müll vermieden wird.

HINWEIS

Bitte geben Sie keine beschädigten oder einzelnen Batterien zurück.

Marken



Die Begriffe HDMI, HDMI High-Definition Multimedia Interface und das HDMI-Logo sind Marken oder eingetragene Marken von HDMI Licensing Administrator, Inc.

Feedback und Hilfe

Wir würden uns sehr über Ihr Feedback freuen. Bitte denken Sie daran, eine Bewertung und Rezension zu Ihren Bestellungen zu hinterlassen. Loggen Sie sich in Ihr Konto ein und navigieren Sie zur Seite „Kundenservice / Kontakt“, falls Sie Hilfe zu Ihrem Produkt benötigen.

Indice

Istruzioni per la sicurezza	44
Contenuto della confezione.....	45
Illustrazione dei componenti	45
Approntamento del monitor.....	47
Uso del monitor.....	48
Pulizia e manutenzione.....	51
Risoluzione dei problemi.....	52
Dati tecnici	53
Smaltimento (solo per l'Europa).....	54
Marchio di fabbrica.....	54
Feedback e aiuto	55

Istruzioni per la sicurezza

Leggere le seguenti istruzioni con attenzione e conservarle.

1. Usare solo l'adattatore di alimentazione in dotazione al monitor. Non utilizzare l'adattatore di alimentazione con altri prodotti.
2. Non collocare il monitor vicino a una finestra. L'esposizione alla pioggia, a umidità o alla luce solare diretta può causare danni gravi al monitor.
3. Non coprire le aperture di ventilazione sulla parte posteriore del monitor con oggetti quali quotidiani, tovaglie o tende.
4. Non premere sullo schermo LCD. Premendo con forza eccessiva sul display lo si danneggerebbe irreparabilmente.
5. Non rimuovere l'involucro e non tentare di riparare il monitor. Tutte le operazioni di manutenzione devono essere eseguite da un tecnico autorizzato.
6. Conservare il monitor in un ambiente a temperatura compresa tra -20 e -60 °C. Se lo si conserva a temperature oltre questi limiti, il monitor può danneggiarsi irreversibilmente.
7. Scollegare immediatamente l'adattatore di alimentazione del monitor dalla presa di corrente e contattare un tecnico autorizzato se:
 - A. Il cavo del segnale che collega il monitor al computer è usurato o danneggiato
 - B. Si versano liquidi sul monitor o quest'ultimo viene esposto alla pioggia
 - C. Il monitor o l'involucro è danneggiato
8. Questo apparecchio non è adatto all'uso in luoghi in cui è probabile che siano presenti bambini.
9. Leggere le presenti istruzioni per assicurare l'installazione sicura e corretta e l'interconnessione dell'apparecchio.
10. La connessione monitor/spina di alimentazione serve da dispositivo di scollegamento. Il dispositivo di scollegamento deve rimanere facilmente utilizzabile.
11. Il monitor deve essere alimentato alla tensione e corrente indicate sulla targa dati. Se non si è sicuri dei valori della tensione e corrente erogate dalle prese di corrente, consultare il rivenditore o la società dell'energia elettrica.
12. Se l'adattatore di alimentazione del monitor è dotato di una spina tripolare, usarlo con una presa di corrente collegata all'impianto di messa a terra.
13. Il monitor è previsto esclusivamente per l'uso in locali chiusi e asciutti.



AVVERTENZA **Rischio di soffocamento.** Tenere tutto il materiale d'imballaggio fuori della portata dei bambini e di animali domestici – il materiale può essere pericoloso (per es., può causare un soffocamento).

Istruzioni per l'ascolto in sicurezza

Per prevenire possibili lesioni all'apparato uditivo:

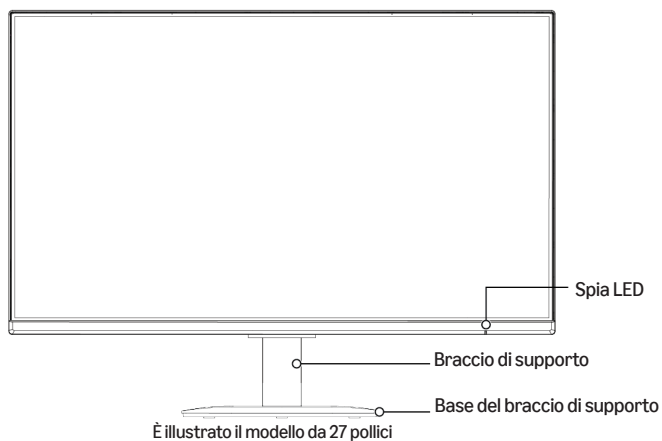
- ▶ Non ascoltare ad alto volume per lunghi periodi di tempo
- ▶ Aumentare il volume gradualmente anziché passare a un livello molto alto subitaneamente
- ▶ Non aumentare oltre il volume dopo averlo regolato in modo da poter ascoltare chiaramente e comodamente senza distorsioni.

Contenuto della confezione

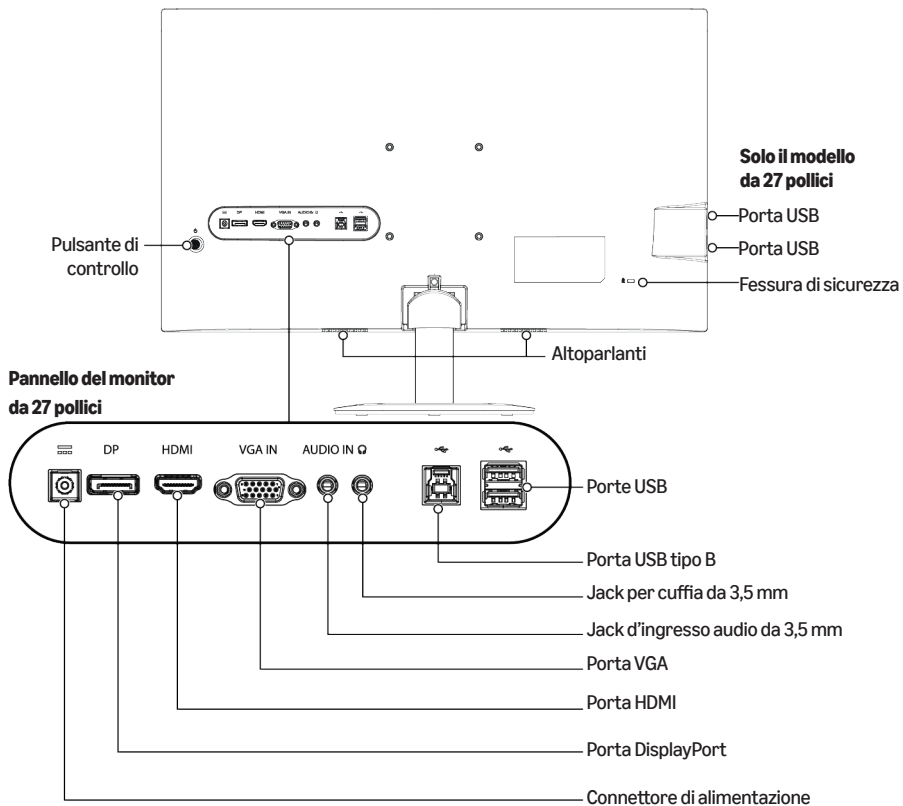
- ▶ Monitor
- ▶ Braccio di supporto
- ▶ Base del braccio di supporto
- ▶ Guida rapida all'approntamento
- ▶ Adattatore di alimentazione
- ▶ Cavo di alimentazione (solo per il modello da 27 pollici)
- ▶ Cavo HDMI

Illustrazione dei componenti

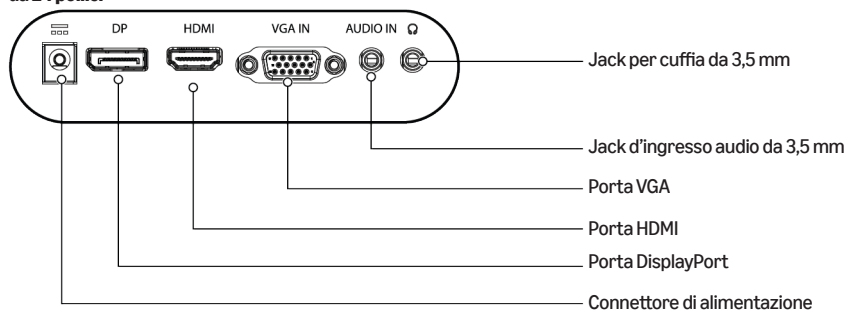
Monitor da 24 e 27 pollici- Parte anteriore



Monitor da 24 e 27 pollici- Parte posteriore



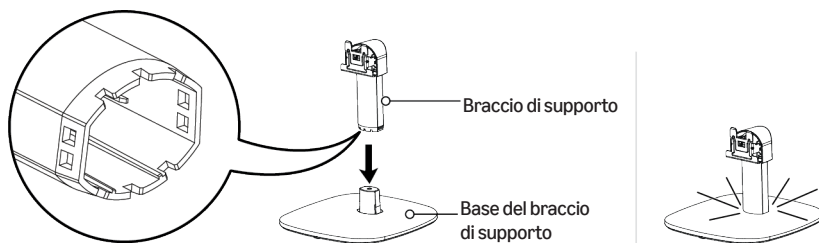
Pannello del monitor da 24 pollici



Approntamento del monitor

Fissaggio della base al monitor

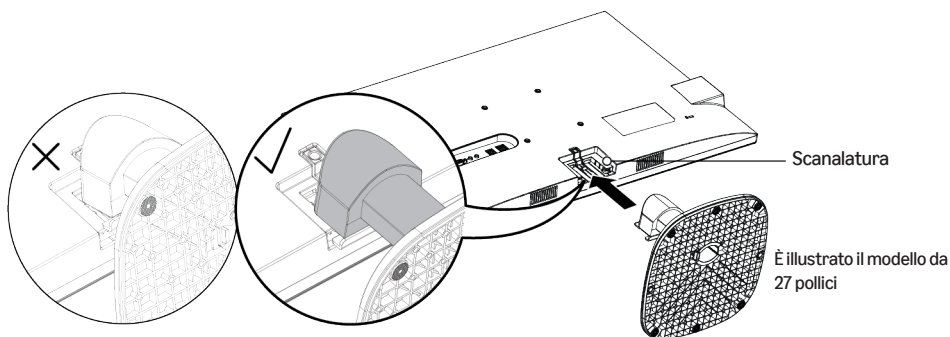
1. Collocare con attenzione il monitor con lo schermo rivolto in giù su una superficie morbida per evitare di graffiarlo.
2. Inserire il braccio di supporto nella base. Si avverte un clic quando il braccio di supporto e la base sono collegati correttamente.



È illustrato il modello da 27 pollici

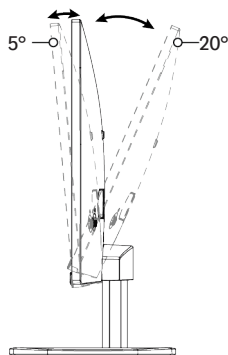
3. Fare scorrere la parte superiore del braccio di supporto nella scanalatura presente sulla parte posteriore del monitor. Uno scatto confermerà che il braccio di supporto è inserito bene.

Nota: quando si installa la base sul monitor, è necessario inserirla orizzontalmente come mostrato nello schema e si dovrebbe avvertire un "clic". Se la base non viene inserita orizzontalmente, non sarà possibile fissarvi il monitor.



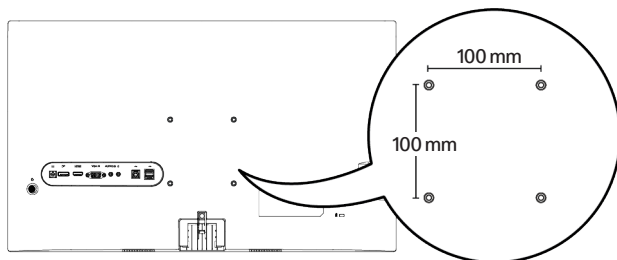
Regolazione dell'angolo visivo

Quando si regola l'inclinazione del monitor, evitare di toccare lo schermo e tenere ferma la base per evitare che il monitor si ribalti. Il monitor è inclinabile in avanti fino a 5° o indietro fino a 20°.



Installazione con un kit di montaggio a parete

Usare un kit di montaggio VESA (non in dotazione) adatto per una disposizione dei fori distanziati di 100 mm l'uno dall'altro e che include quattro viti M4 × 10 mm per fissare il monitor a un supporto.

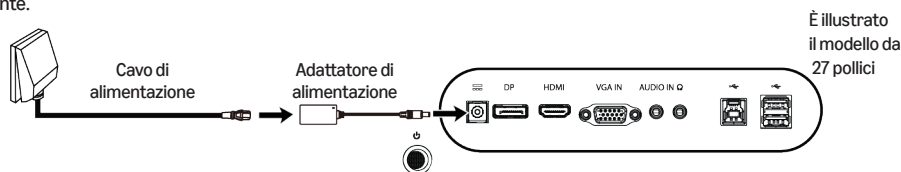


È illustrato il modello da 27 pollici

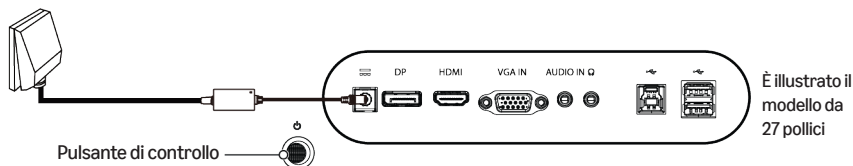
Uso del monitor

Accensione del monitor

- Solo per il modello da 27 pollici:** collegare il cavo di alimentazione all'adattatore di alimentazione.
- Collegare l'adattatore di alimentazione all'apposito connettore del monitor e il cavo di alimentazione a una presa di corrente.



- Per accendere il monitor, premere e rilasciare il pulsante di controllo.

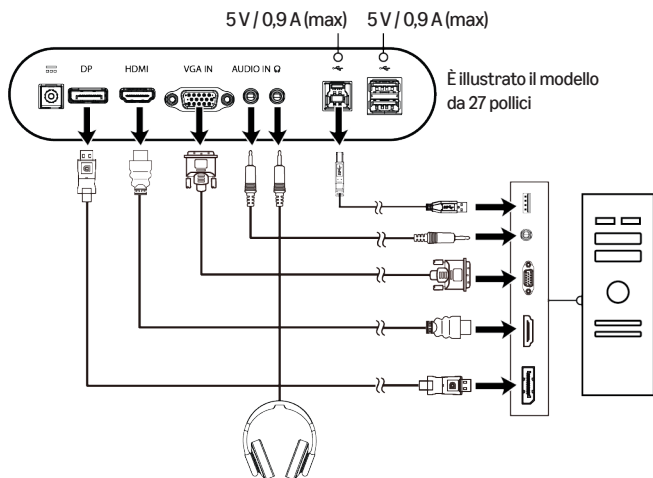


- Per spegnere il monitor, premere senza rilasciare il pulsante di controllo.

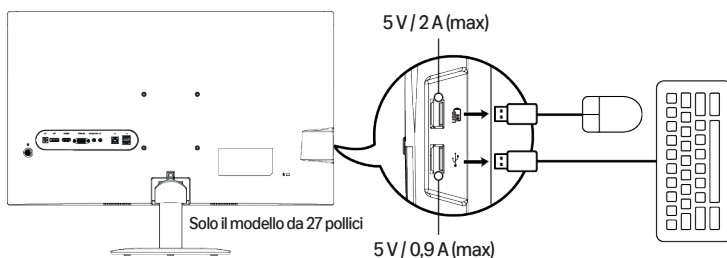
Collegamento a un computer

- Spegnere il computer e il monitor e poi scollegarne i cavi di alimentazione.
- Scegliere una modalità di collegamento:
 - ▶ **DisplayPort** (qualità ottimale): collegare un cavo DisplayPort (non in dotazione) alla porta **DP** del computer.
 - ▶ **HDMI** (qualità superiore): collegare un cavo HDMI (non in dotazione) alla porta **HDMI** del computer.
 - ▶ **VGA** (qualità adeguata): collegare un cavo VGA (non in dotazione) alla porta **VGA IN** del computer.
- Se si usa la porta VGA, collegare un cavo ausiliario (AUX) da 3,5 mm dal connettore **AUDIO IN** del monitor al computer.

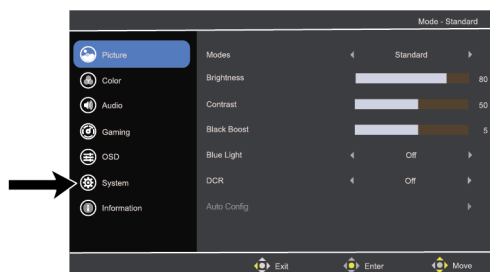
Nota – Le porte DisplayPort e HDMI consentono la propagazione del segnale audio, mentre una porta VGA richiede questo collegamento ausiliario.



4. **Solo per il monitor da 27 pollici:** collegare un cavo USB o USB tipo B dal monitor alla stampante, alla tastiera, al mouse o ad altro dispositivo periferico. I dispositivi USB vengono caricati mentre il monitor è acceso; quando il monitor è spento, la ricarica cessa.



5. Collegare il computer e il monitor ai rispettivi cavi di alimentazione.
6. Accendere il monitor e il computer. Il monitor selezionerà automaticamente il tipo di segnale d'ingresso. Se necessario, scegliere il tipo di segnale d'ingresso selezionando **Sistema > Input** nel menu del monitor. Per maggiori informazioni vedere la sezione "Uso del pulsante di controllo" on page 49.



Installazione di un cavo con lucchetto

Il monitor può essere assicurato a un oggetto fisso mediante un cavo con lucchetto (non in dotazione).

Uso del pulsante di controllo

Usare il pulsante di controllo a 5 vie per navigare nel menu principale del monitor:

- ▶ **Premere e rilasciare:** per accendere il monitor o aprire il menu quando il monitor è acceso.
- ▶ **Premere senza rilasciare:** per spegnere il monitor.
- ▶ **Su/Giù/Sinistra/Destra:** premere per aprire il menu e poi usare le frecce direzionali per regolare le impostazioni. Al termine, premere a sinistra per tornare indietro di un livello fino a chiudere il menu.



Regolazione delle impostazioni

Premere e rilasciare il pulsante di controllo o premerlo in su, giù, a sinistra o a destra per aprire il menu principale. Usare le opzioni dei menu Immagine, Colore, Audio, Gioco, OSD (on-screen display), Sistema e Informazioni per regolare le impostazioni del monitor.

Al termine, premere ripetutamente il pulsante di controllo a sinistra per uscire dal menu principale. Vedere "Uso del pulsante di controllo" per maggiori informazioni su come navigare nel menu.

Immagine

- ▶ **Modalità:** per ottimizzare la qualità dell'immagine per contenuti di natura generale. Scegliere fra Azione, Gara, Sport, Utente, Standard, ECO, Grafica e Film.
- ▶ **Luminosità:** per regolare il bilanciamento tra tonalità chiare e scure. Scegliere un valore da 0 (luminosità minima) a 100 (luminosità massima).
- ▶ **Contrasto:** per regolare il livello di differenza tra aree chiare e scure. Scegliere un valore da 0 (contrasto minimo) a 100 (contrasto massimo).
- ▶ **Potenz. nero:** per amplificare l'ampiezza dei livelli di colore scuro, schiarendo il nero. Quanto più alto è il livello tanto maggiore è l'amplificazione.
- ▶ **Luce blu:** per attivare il filtro della luce blu regolandone il rapporto.
- ▶ **DCR** (Dynamic Contrast Ratio): per regolare la retroilluminazione dell'immagine visualizzata.
- ▶ **Autoregolazione** (solo modalità VGA): per far sì che l'immagine si regoli automaticamente.
- ▶ **O.Posizione** (solo modalità VGA): per regolare la posizione orizzontale da 0 a 100.
- ▶ **V.Posizione** (solo modalità VGA): per regolare la posizione verticale da 0 a 100.
- ▶ **Nitidezza** (solo modalità VGA): per regolare la messa a fuoco da 0 a 100.
- ▶ **Orologio** (solo modalità VGA): per regolare l'orologio da 0 a 100.

Colore

- ▶ **Gamma:** per regolare la luminanza. il valore predefinito è 2.2 (valore standard per Windows).
- ▶ **Temp. Colore:** per regolare la temperatura del colore. Scegliere fra Caldo, Normale, Freddo e Utente. Il valore predefinito è Caldo.

Audio

- ▶ **Volume:** per regolare il volume.
- ▶ **Mute:** per attivare o disattivare l'audio.

Gioco

- ▶ **Over Drive:** per prevenire sfocature di movimenti veloci nelle immagini. Scegliere fra Spento, Normale e Estremo.
- ▶ **Adaptive-Sync:** per eliminare movimenti violenti e a singhiozzo. Il valore predefinito è ATTIVA.
- ▶ **Num freq aggiorn:** per visualizzare la frequenza di aggiornamento dello schermo.

OSD (On-Screen Display)

- ▶ **Lingua:** per impostare la lingua del menu OSD. Scegliere fra English / Русский / Deutsch / Français / Español / Italiano / Hollands / Finnish / Turkish / Polish / Portuguese / Brazilian Portuguese / 繁體中文 (Traditional Chinese) / 简体中文 (Simplified Chinese) / 日本語 (Japanese) / 한국어/عَرَبِيّ / Svenska
- ▶ **Intervallo OSD:** per regolare il ritardo che precede la chiusura automatica del menu OSD.
- ▶ **Trasparenza:** per regolare la trasparenza del menu OSD.

Sistema

- ▶ **Input:** per selezionare la sorgente del segnale fra quelle disponibili.
- ▶ **Sorgente auto:** per avviare la ricerca automatica delle sorgenti del segnale d'ingresso disponibili.
- ▶ **Schermo intero:** per selezionare il rapporto schermo.
- ▶ **DDC/CI:** per impostare le opzioni del monitor mediante un software installato nel computer.

Informazioni

- ▶ Per visualizzare informazioni base sul monitor.
- ▶ **Ripristina tutto:** per ripristinare tutte le impostazioni ai valori predefiniti in fabbrica.

Pulizia e manutenzione

Per pulire lo schermo:

1. Spegnere il monitor e scollegare l'adattatore di alimentazione dalla presa di corrente.
2. Spruzzare una soluzione detergente priva di solventi su un panno umido e passarlo delicatamente sullo schermo.

⚠ ATTENZIONE

- ▶ Non spruzzare né versare alcun liquido direttamente sullo schermo o sulla mascherina del display.
- ▶ Non utilizzare detergenti a base di ammoniaca o alcol sullo schermo o sulla mascherina del display.

Risoluzione dei problemi

Problema	Soluzioni
Nessuna immagine (il LED è acceso)	<ul style="list-style-type: none"> ▶ Accertarsi che il computer sia acceso. ▶ Accertarsi che il cavo (DisplayPort, HDMI o VGA) sia collegato correttamente e saldamente al monitor e al computer. ▶ Accertarsi che il cavo non sia danneggiato. Aprire il menu per aumentare i valori Luminosità e Contrasto o ripristinare il monitor alle impostazioni predefinite. ▶ Accertarsi di avere selezionato la sorgente corretta del segnale d'ingresso. Dal menu, andare a Sistema > Input.
Nessuna immagine (il LED è spento)	<ul style="list-style-type: none"> ▶ Accertarsi che il cavo di alimentazione sia collegato a una presa di corrente sotto tensione. ▶ Premere senza rilasciare il pulsante di controllo per accendere il monitor.
Immagine anomala	<ul style="list-style-type: none"> ▶ Sorgenti diverse del segnale d'ingresso possono avere rapporti schermo diversi. Regolare il rapporto schermo (opzione Schermo intero) dal menu.

Problema	Soluzioni
I colori visualizzati sono anomali.	<ul style="list-style-type: none"> ▶ Controllare che la connessione del cavo (DisplayPort, HDMI o VGA) sia salda. ▶ Accertarsi che il cavo (DisplayPort, HDMI o VGA) non sia danneggiato e non vi siano pin piegati sui connettori. ▶ Provare a usare un altro cavo. ▶ Regolare l'impostazione Modalità o Temp. Colore per modificare i colori.
Nessun suono o il volume è troppo basso.	<ul style="list-style-type: none"> ▶ Accertarsi che sia collegato un cavo audio. I cavi DisplayPort e HDMI consentono al segnale audio di propagarsi mentre i cavi VGA richiedono un'ulteriore connessione ausiliaria (AUX) da 3,5 mm. ▶ Accertarsi che gli altoparlanti del monitor non siano spenti. ▶ Aumentare il volume sul computer.
La frequenza di aggiornamento non raggiunge i 100 Hz	<ul style="list-style-type: none"> ▶ Assicurarsi che la porta del computer supporti FHD (Full High Definition) a 100 Hz. Per ulteriori informazioni, visitare il sito web del produttore. ▶ Assicurarsi che la scheda grafica del computer supporti un'uscita a 100 Hz e che i driver siano aggiornati. Visitare il sito Web del produttore per scaricare e installare i driver più recenti. ▶ Assicurarsi di aver collegato un cavo che supporti 100 Hz (ad esempio un cavo DisplayPort o HDMI 1.4). ▶ Aprire le impostazioni avanzate dello schermo del computer e impostare la frequenza di aggiornamento su 100 Hz.
Il supporto del monitor è instabile	<ul style="list-style-type: none"> ▶ Assicurarsi che il braccio di supporto e la relativa base siano allineati correttamente. Per ulteriori informazioni, vedere "Fissaggio della base al monitor" on page 46.
Non so come controllare la visualizzazione sullo schermo e l'accensione/spegnimento	<ul style="list-style-type: none"> ▶ Assicurarsi di utilizzare il pulsante di controllo sul retro del monitor per accendere/spegnere il monitor. ▶ Utilizzare questo pulsante per controllare la visualizzazione sullo schermo. Per ulteriori informazioni, vedere "Uso del pulsante di controllo" on page 49.

Dati tecnici

Monitor da 24 pollici

Include B0CP7QLM3G/B0CP7S6TLR/B0CP7TRZWR/B0CP91ZJF9

Sistema di pilotaggio	LCD a colori TFT
Dimensioni dell'immagine visualizzabile	23,8 pollici in larghezza (60 cm)
Passo dei pixel	0,2745 mm (A) x 0,2745 mm (V)
Tempo di risposta	5 ms GTG
Intervallo di scansione orizzontale	VGA: 30–85 kHz HDMI: 30–120 kHz DisplayPort: 30–120 kHz
Intervallo di scansione verticale	VGA: 48–75 Hz HDMI: 48–100 Hz DisplayPort: 48–100 Hz
Dimensioni di scansione (max)	Orizzontale: 527 mm Verticale: 296 mm
Numero di colori	16,7 milioni

Risoluzione max	1920 x 1080 a 75 Hz (VGA) 1920 x 1080 a 100 Hz (HDMI/DP)
Plug & Play	VESA DDCCI/DDC2B
Consumo di potenza	Acceso: 18 W (valore tipico) In standby: ≤ 0,5 W Spento: ≤ 0,3 W
Tipi di connettore	HDMI 1.4 x 1 VGA (D-Sub) x 1 DP 1.2 x 1 Ingresso audio: jack da 3,5 mm Uscita audio: jack da 3,5 mm (uscita per cuffia)
Video	Interfaccia D-Sub Interfaccia HDMI Interfaccia DP
Alimentazione	Ingresso: 100-240 V~ 50/60 Hz
Condizioni ambientali	Temperatura di funzionamento: da 0 a 40 °C Temperatura di immagazzinamento: da -20 a 60 °C Umidità di funzionamento: dal 20% all'80%
Schema VESA	100 x 100 mm

Nota – I dati sul consumo di potenza sono basati su condizioni di prova standard ErP.

Monitor da 27 pollici

Include B0CP7R6KDQ/B0CP7Q9P14/B0CP7RZRMD/B0CP928BL3

Sistema di pilotaggio	LCD a colori TFT
Dimensioni dell'immagine visualizzabile	27 pollici in larghezza (69 cm)
Passo dei pixel	0,3114 mm (A) x 0,3114 mm (V)
Tempo di risposta	5 ms GTG
Intervallo di scansione orizzontale	VGA: 30-85 kHz HDMI: 30-120 kHz DisplayPort: 30-120 kHz
Intervallo di scansione verticale	VGA: 48-75 Hz HDMI: 48-100 Hz DisplayPort: 48-100 Hz
Dimensioni di scansione (max)	Orizzontale: 598 mm Verticale: 336 mm
Numero di colori	16,7 milioni
Risoluzione max	1920 x 1080 a 75 Hz (VGA) 1920 x 1080 a 100 Hz (HDMI/DP)
Plug & Play	VESA DDCCI/DDC2B
Consumo di potenza	Acceso: 21 W (valore tipico) In standby: ≤ 0,5 W Spento: ≤ 0,3 W

Tipi di connettore	HDMI 1.4 x 1 VGA (D-Sub) x 3.2 DP 1.2 x 1 USB tipo A (USB 3.2 Gen 1x3, USB 3.2 caricabatteria veloce x1) USB tipo B (USB upstream x1) Ingresso audio: jack da 3,5 mm Uscita audio: jack da 3,5 mm (uscita per cuffia)
Video	Interfaccia D-Sub Interfaccia HDMI Interfaccia DP
Alimentazione	Ingresso: 100-240 V~ 50/60 Hz
Condizioni ambientali	Temperatura di funzionamento: da 0 a 40 °C Temperatura di immagazzinamento: da -20 a 60 °C Umidità di funzionamento: dal 20% all'80%
Schema VESA	100 x 100 mm

Nota – I dati sul consumo di potenza sono basati su condizioni di prova standard ErP.

Smaltimento (solo per l'Europa)



Le leggi sui rifiuti di apparecchiature elettriche ed elettroniche (RAEE) mirano a minimizzare l'impatto di suddette apparecchiature sull'ambiente e la salute umana, aumentando le pratiche di riutilizzo e riciclo e riducendo la quantità di rifiuti RAEE inviati in discarica. Il simbolo su questo prodotto o sull'imballaggio indica che il prodotto dovrà essere smaltito separatamente dai rifiuti domestici al termine del suo ciclo di vita. Tenere presente che è vostra responsabilità smaltire le apparecchiature elettroniche presso i centri di riciclaggio per preservare le risorse naturali. Ogni paese dovrebbe avere i propri centri di raccolta per il riciclaggio delle apparecchiature elettriche ed elettroniche. Per informazioni sui luoghi in cui avviene la raccolta per il riciclo, contattare le autorità competenti per la gestione dei rifiuti di apparecchiature elettriche ed elettroniche, l'ufficio municipale locale o il servizio di smaltimento dei rifiuti domestici.

Marchio di fabbrica



I termini HDMI, High-Definition Multimedia Interface e il logotipo HDMI sono marchi di fabbrica o marchi registrati di HDMI Licensing Administrator, Inc.

Feedback e aiuto

Ci piacerebbe ricevere il tuo feedback. Ti invitiamo a lasciare una valutazione e una recensione sui tuoi ordini di acquisto. Se hai bisogno di aiuto in merito al tuo prodotto, accedi al tuo account e vai al servizio clienti o alla pagina Contattaci.

Contenido

Instrucciones de seguridad	55
Contenido del paquete	56
Descripción del producto	56
Configuración del monitor	58
Uso del monitor	59
Limpieza y mantenimiento	62
Resolución de problemas	62
Especificaciones	63
Eliminación (solo para Europa)	65
domésticos.Marca.....	65
Comentarios y ayuda	65

Instrucciones de seguridad

Lea atentamente las siguientes instrucciones y consérvelas para su uso futuro.

1. Utilice únicamente el adaptador de corriente suministrado con el monitor. No utilice el adaptador de corriente con otros productos.
2. No coloque el monitor cerca de una ventana. La exposición a la lluvia, la humedad o la luz solar directa puede causar graves daños al monitor.
3. No cubra las aberturas de ventilación de la parte posterior del monitor con objetos como periódicos, manteles o cortinas.
4. No presione en la pantalla LCD. Una presión excesiva puede causar daños permanentes en la pantalla.
5. No desmonte la carcasa ni intente reparar la máquina usted mismo. Todas las tareas de reparación deben ser realizadas por un técnico autorizado.
6. Guarde el monitor en una habitación con una temperatura entre -20 a 60 °C (-4 a 140 °F). Pueden producirse daños permanentes si el monitor se almacena fuera de este intervalo.
7. Desenchufe inmediatamente el adaptador de corriente del monitor y póngase en contacto con un técnico autorizado si:
 - a. La conexión entre el monitor y el ordenador está desgastada o dañada.
 - b. Se derrama líquido sobre el monitor o éste queda expuesto a la lluvia.
 - c. El monitor o la carcasa están dañados.
8. Este equipo no es adecuado para su uso en lugares donde pueda haber niños.
9. Lea estas instrucciones para garantizar una instalación e interconexión correctas y seguras del equipo.
10. La pareja enchufe/aparato eléctrico se utiliza como dispositivo de desconexión. El dispositivo de desconexión debe permanecer fácilmente operable.
11. Este monitor debe funcionar con el tipo de alimentación indicado en la etiqueta de características. Si no está seguro del tipo de corriente disponible, consulte a su distribuidor o a la compañía eléctrica local.
12. Si el adaptador de corriente del monitor tiene un enchufe con toma de tierra, utilícelo con una toma con toma de tierra.
13. Este monitor está diseñado para ser utilizado únicamente en interiores secos.



⚠ ADVERTENCIA ¡Riesgo de asfixia! Mantenga los materiales de embalaje fuera del alcance de los niños y los animales domésticos, ya que son una fuente potencial de peligro (por ejemplo, asfixia).

Instrucciones para una escucha segura

Para evitar posibles daños auditivos:

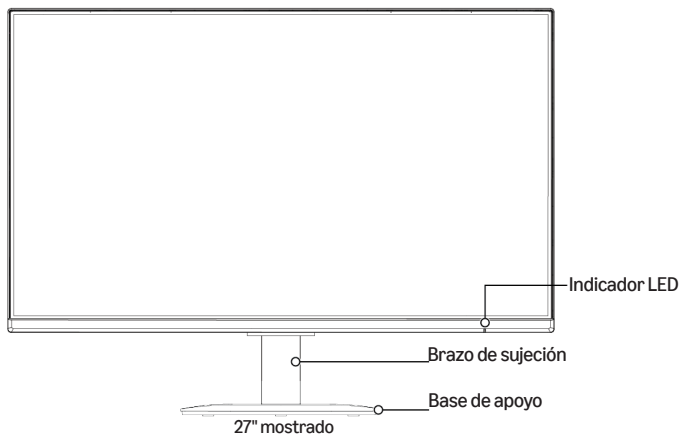
- ▶ No escuche a niveles de volumen altos durante largos periodos de tiempo.
- ▶ Aumente gradualmente el volumen, en lugar de saltar a un nivel muy alto de un golpe.
- ▶ No aumente más el volumen cuando el volumen esté ajustado para poder oír clara y cómodamente sin distorsiones.

Contenido del paquete

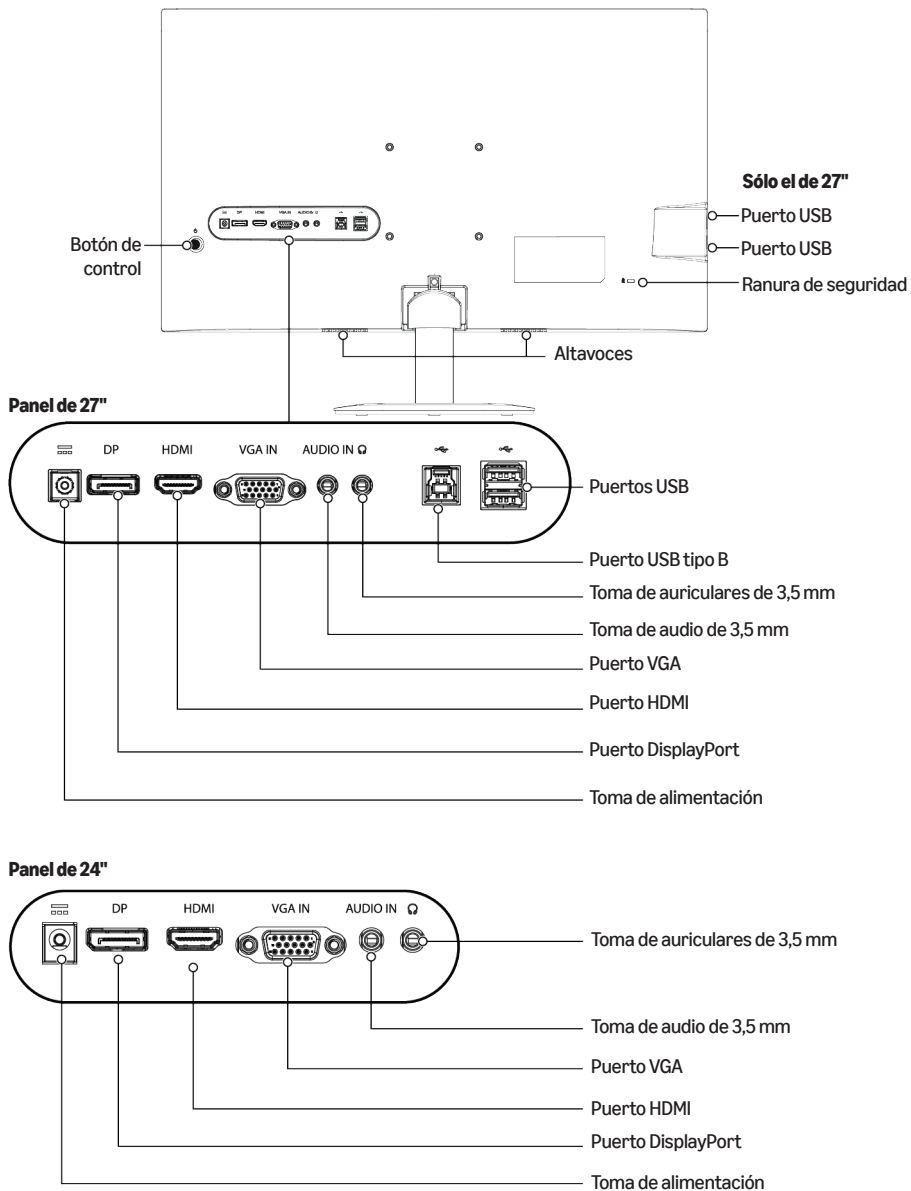
- ▶ Monitor
- ▶ Brazo de sujeción
- ▶ Base de apoyo
- ▶ Guía de instalación rápida
- ▶ Adaptador de corriente
- ▶ Cable de alimentación (sólo modelo de 27 pulgadas)
- ▶ Cable HDMI

Descripción del producto

Monitor de 24" y 27" - Vista frontal



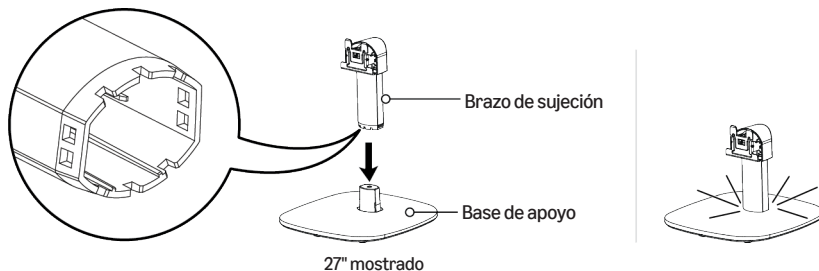
Monitor de 24" y 27" - Vista posterior



Configuración del monitor

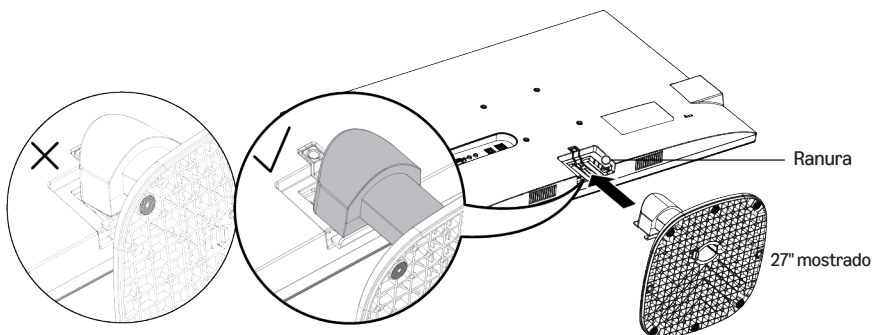
Instalación de la base del monitor

1. Coloque con cuidado el monitor boca abajo sobre una superficie blanda para evitar que se raye.
2. Empuje el brazo de soporte sobre la base de apoyo. Escucharás un clic cuando el brazo de soporte y la base estén correctamente conectados.



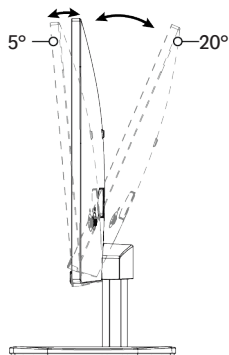
3. Deslice la parte superior del brazo de soporte en la ranura de la parte posterior del monitor. Oirá un clic cuando el brazo soporte esté correctamente conectado.

Nota: Al instalar la base en el monitor, esta debe insertarse horizontalmente como se muestra en el diagrama hasta hacer "clic". Si no se inserta horizontalmente, la base no podrá fijar el monitor.



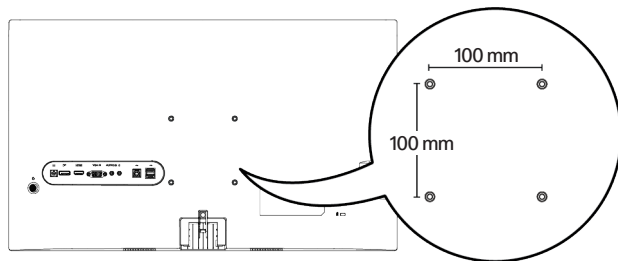
Ajuste del ángulo de visualización

Al ajustar el monitor, evite tocar la pantalla y sujete la base para evitar que se caiga. El monitor se inclina hacia delante hasta 5° o hacia atrás hasta 20°.



Instalación con un kit de montaje de pared

Utilice un kit de montaje VESA (no incluido) con un patrón de orificios de 100 × 100 mm y cuatro tornillos M4 × 10 mm para fijar el monitor a un soporte.

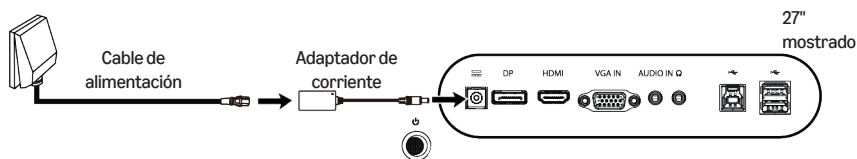


27" mostrado

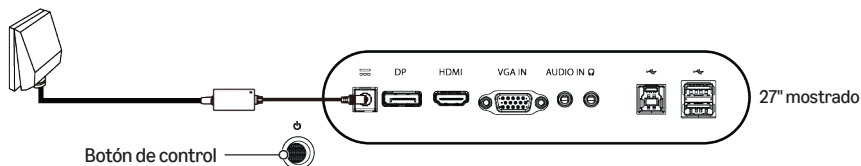
Uso del monitor

Encendido del monitor

1. **Sólo modelo de 27"**: Conecte el cable de alimentación al adaptador de corriente.
2. Conecte el adaptador de corriente de la toma de alimentación del monitor a una toma de corriente.



3. Para encender el monitor, pulse brevemente el botón  de control.

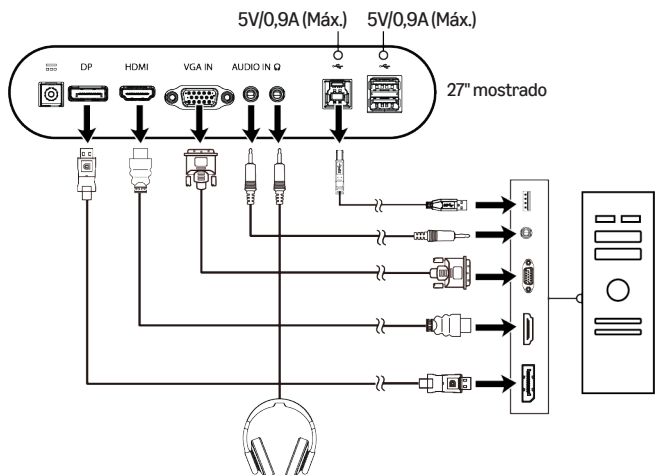


4. Para apagar el monitor, mantenga pulsado el botón  de control.

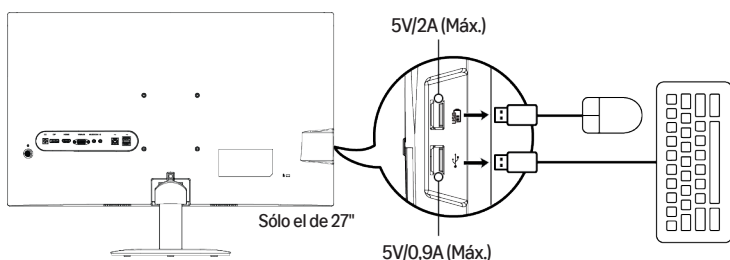
Conexión a un ordenador

1. Apague el ordenador y el monitor y desenchufe los cables de alimentación.
2. Elija un tipo de conexión:
 - ▶ **DisplayPort** (la mejor calidad): Conecte un cable DisplayPort (no incluido) desde el puerto **DP** del monitor al ordenador.
 - ▶ **HDMI** (buena calidad): Conecte un cable HDMI (incluido) desde el puerto **HDMI** del monitor al ordenador.
 - ▶ **VGA** (buena calidad): Conecte un cable VGA (no incluido) desde el puerto de entrada **VGA IN** del monitor al ordenador.
3. Si ha conectado con VGA, conecte un cable AUX de 3,5 mm desde la toma de entrada **AUDIO IN** del monitor al ordenador.

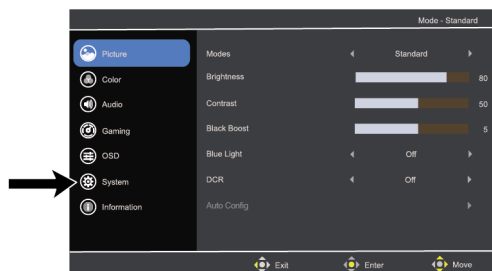
Nota: DisplayPort y HDMI transmiten señales de audio. VGA requiere esta conexión adicional.



4. **Sólo monitor de 27"**: Conecte un cable USB o USB tipo B desde el monitor a su impresora, teclado, ratón u otro dispositivo periférico. Los dispositivos USB se cargan mientras el monitor está encendido. Cuando se apague el monitor, se detendrá la carga.



5. Vuelva a conectar los cables de alimentación del ordenador y del monitor.
6. Encienda el monitor y el ordenador. El monitor debería cambiar automáticamente a la fuente correcta. Si es necesario, elija su fuente de entrada navegando a **Sistema > Entrada** en el menú del monitor. Consulte "Uso del botón de control" on page 60 para obtener más información.



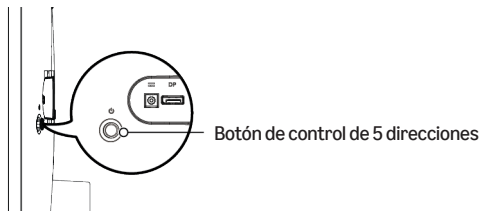
Instalación de un candado de cable

El monitor puede asegurarse a un objeto fijo con un candado de cable (no incluido).

Uso del botón de control

Utilice el botón de control de 5 direcciones para navegar por el menú principal del monitor:

- ▶ **Pulsación corta:** Enciende el monitor o abre el menú cuando el monitor está encendido.
- ▶ **Pulsación larga:** Apaga el monitor
- ▶ **Arriba/Abajo/Izquierda/Derecha:** Pulse para abrir el menú y, a continuación, utilice las flechas de dirección para ajustar la configuración. Cuando termine, pulse Izquierda para retroceder un nivel hasta cerrar el menú.



Ajuste de la configuración

Pulse brevemente o presione el botón de control hacia arriba, abajo, izquierda o derecha para abrir el menú principal. Utilice las opciones de los siguientes menús: Imagen, Color, Audio, Juegos, OSD (visualización en pantalla), Sistema e Información para ajustar la configuración del monitor.

Cuando haya terminado, pulse repetidamente el botón de control hacia la izquierda para salir del menú principal. Consulte "Uso del botón de control" para obtener más información sobre la navegación por el menú.

Imagen

- ▶ **Modos:** Optimiza la calidad de la imagen para el contenido general. Elija entre Acción, Carreras, Deportes, Usuario, Estándar, ECO, Gráficos o Película.
- ▶ **Brillo:** Ajusta el equilibrio entre tonos claros y oscuros. Elija un ajuste de 0 (más tenue) a 100 (más brillante).
- ▶ **Contraste:** Ajusta el grado de diferencia entre las zonas claras y oscuras. Elija un ajuste de 0 (menor contraste) a 100 (mayor contraste).
- ▶ **Aumento de negro:** Aumenta la amplitud de los niveles de color oscuro de la pantalla, haciendo que los negros sean menos negros. Cuanto mayor sea el nivel, mayor será el aumento.
- ▶ **Luz azul:** Cuando está activada, filtra la luz azul ajustando la proporción de luz azul que se muestra.
- ▶ **DCR (Relación de contraste dinámico):** Ajusta la retroiluminación en función de lo que aparezca en su pantalla.
- ▶ **Autoajuste (Sólo modo VGA):** Ajusta la imagen automáticamente.
- ▶ **H.Posición (Sólo modo VGA):** Ajusta la posición horizontal de 0 a 100.
- ▶ **V.Posición (Sólo modo VGA):** Ajusta la posición vertical de 0 a 100.
- ▶ **Nitidez (Sólo modo VGA):** Ajusta la nitidez de 0 a 100.
- ▶ **Reloj (sólo modo VGA):** Ajusta el reloj de 0 a 100.

Color

- ▶ **Gamma:** Ajusta el tono de luminancia. El valor por defecto es 2,2 (valor estándar para Windows).
- ▶ **Temp. Color:** Cambia la temperatura del color. Elija entre Cálido, Normal, Frío o Usuario. El valor predeterminado es Cálido.

Audio

- ▶ **Volumen:** Ajusta el volumen.
- ▶ **Silencio:** Activa o desactiva el sonido.

Juegos

- ▶ **OverDrive:** Evita el desenfoque de movimiento en imágenes en movimiento rápido. Elija entre Desactivado, Normal o Extremo.
- ▶ **Adaptive-Sync:** Cuando está activada, elimina el tearing (desgarro) y el stuttering (paradas momentáneas). El valor predeterminado es Activado.

- ▶ **Tasa de actual:** Muestra la frecuencia de actualización actual de la pantalla.

OSD (visualización en pantalla)

- ▶ **Idioma:** Configura el idioma del menú OSD. Elija entre English / Русский / Deutsch / Français / Español / Italiano / Hollands / Finnish / Turkish / Polish / Portuguese / Brazilian Portuguese / 繁體中文 (Traditional Chinese) / 简体中文 (Simplified Chinese) / 日本語 (Japanese) / 한국어 / عَرَبِيّ / Svenska
- ▶ **T. de espera OSD:** Ajusta el retardo antes de apagar el menú OSD.
- ▶ **Transparencia:** Ajusta la transparencia del menú OSD.

Sistema

- ▶ **Entrada:** Selecciona la fuente de entrada disponible.
- ▶ **Fuente automat.:** Busca automáticamente las fuentes de entrada disponibles.
- ▶ **Modo panorámico:** Selecciona la relación de aspecto de su pantalla.
- ▶ **DDC/CI:** Permite configurar los ajustes del monitor a través del software del ordenador.

Información

- ▶ Muestra información básica de la máquina.
- ▶ **Restablecer config.:** Restablece todos los ajustes a los valores de fábrica.

Limpieza y mantenimiento

Para limpiar la pantalla del monitor:

1. Apague el monitor y desenchufe el adaptador de corriente.
2. Rocíe un paño suave con una solución limpiadora sin disolventes y limpie suavemente la pantalla.

PRECAUCIÓN

- ▶ No rocíe ni vierta ningún líquido directamente sobre la pantalla o su bisel.
- ▶ No utilice productos de limpieza a base de amoníaco o alcohol en la pantalla o el bisel del monitor.

Resolución de problemas

Problema	Soluciones
Sin imagen (LED encendido)	<ul style="list-style-type: none"> ▶ Asegúrese de que el ordenador está encendido. ▶ Asegúrese de que el cable (DisplayPort, HDMI o VGA) está conectado correctamente y de forma segura al monitor y al ordenador. ▶ Asegúrese de que el cable no esté dañado. Abra el menú para aumentar los ajustes de Brillo y Contraste, o restablezca la configuración predeterminada del monitor. ▶ Asegúrese de que ha seleccionado la fuente de entrada correcta. En el menú, navegue a Sistema > Entrada.
Sin imagen (LED apagado)	<ul style="list-style-type: none"> ▶ Asegúrese de que el adaptador de corriente está conectado y recibe corriente. ▶ Mantenga pulsado el botón de control para encender el monitor.
Imagen anómala	<ul style="list-style-type: none"> ▶ Diferentes fuentes de entrada pueden tener diferentes relaciones de aspecto. Intente ajustar la relación de aspecto en el menú.

Problema	Soluciones
La visualización del color es anómala	<ul style="list-style-type: none"> ▶ Compruebe la conexión del cable (DisplayPort, HDMI o VGA) para asegurarse de que la conexión está segura. ▶ Asegúrese de que su cable (DisplayPort, HDMI o VGA) no está dañado ni tiene las conexiones dobladas. ▶ Prueba con otro cable. ▶ Ajuste el Modo o el Temp. Color de la imagen para cambiar el color de la pantalla.
No hay sonido o el sonido es demasiado bajo	<ul style="list-style-type: none"> ▶ Asegúrese de que hay un cable de audio conectado. Los cables DisplayPort y HDMI llevan audio, y los VGA requieren una conexión AUX adicional de 3,5 mm. ▶ Asegúrese de que los altavoces del monitor no están silenciados. ▶ Suba el volumen de su ordenador.
La frecuencia de actualización no alcanza los 100 Hz.	<ul style="list-style-type: none"> ▶ Asegúrate de que el puerto del equipo sea compatible con FHD (Full High Definition) a 100 Hz. Visita el sitio web del fabricante para obtener más información. ▶ Asegúrate de que la tarjeta gráfica del equipo admita una salida de 100 Hz y de que los controladores estén actualizados. Visita el sitio web del fabricante para descargar e instalar los controladores más recientes. ▶ Asegúrate de haber conectado un cable que admita 100 Hz (como un cable DisplayPort o HDMI 1.4). ▶ Abre la configuración avanzada de visualización del equipo y establece la frecuencia de actualización en 100 Hz.
El soporte del monitor es inestable.	<ul style="list-style-type: none"> ▶ Asegúrate de que el brazo y la base de soporte estén alineados correctamente. Consulta "Instalación de la base del monitor" on page 58 para obtener más información.
No sé cómo controlar la visualización en pantalla y encender o apagar.	<ul style="list-style-type: none"> ▶ Asegúrate de usar el botón de control de la parte posterior del monitor para encenderlo o apagarlo. ▶ Utiliza este botón para controlar la visualización en pantalla. Consulta "Uso del botón de control" on page 60 para obtener más información.

Especificaciones

Monitor de 24"

Incluye B0CP7QLM3G/B0CP7S6TLR/B0CP7TRZWR/B0CP91ZJF9

Sistema operativo	LCD TFT a color
Tamaño de imagen visible	60 cm Ancho (23,8 in)
Pixel Pitch	0,2745 mm (Horizontal) x 0,2745 mm (Diagonal)
Tiempo de respuesta	5 ms GTG
Alcance de escaneado horizontal	VGA: 30 – 85 KHz HDMI: 30 – 120 KHz DisplayPort: 30 – 120 KHz
Alcance de exploración vertical	VGA: 48 – 75 Hz HDMI: 48 – 100 Hz DisplayPort: 48 – 100 Hz
Tamaño de escaneado (máx.)	Horizontal: 527 mm Vertical: 296 mm

Colores de la pantalla	16,7 millones de colores
Resolución máxima	1920 x 1080 a 75 Hz (VGA) 1920 x 1080 a 100 Hz (HDMI/DP)
Tecnología Plug & Play	VESA DDCCI/DDC2B
Consumo	Modo de encendido: 18 W (típico) Modo de espera: ≤0,5 W Modo de apagado: ≤0,3 W
Tipos de conectores	HDMI 1,4 x 1 VGA (D-Sub) x 1 DP 1,2 x 1 Entrada de audio de 3,5 mm Salida de audio de 3,5 mm (salida de auriculares)
Video	Interfaz D-Sub Interfaz HDMI Interfaz DP
Fuente de alimentación	Entrada: 100 a 240 V ~ 50/60 Hz
Condiciones medioambientales	Temperatura de funcionamiento: 0° a 40 °C (32 ° a 104 °F) Temperatura de almacenamiento: -20° a 60°C (-4 ° a 140 °F) Humedad de funcionamiento: 20 % a 80 %
Patrón VESA	100 x 100 mm

Nota: Los datos de consumo de energía se basan en las condiciones de ensayo estándar ErP.

Monitor de 27"

Incluye B0CP7R6KDQ/B0CP7Q9P14/B0CP7RZRMD/B0CP928BL3

Sistema operativo	LCD TFT a color
Tamaño de imagen visible	69 cm Ancho (27 in)
Pixel Pitch	0,3114 mm (Horizontal) x 0,3114 mm (Diagonal)
Tiempo de respuesta	5 ms GTG
Alcance de escaneado horizontal	VGA: 30 – 85 KHz HDMI: 30 – 120 KHz DisplayPort: 30 – 120 KHz
Alcance de exploración vertical	VGA: 48 – 75 Hz HDMI: 48 – 100 Hz DisplayPort: 48 – 100 Hz
Tamaño de escaneado (máx.)	Horizontal: 598 mm Vertical: 336 mm
Colores de la pantalla	16,7 millones de colores
Resolución máxima	1920 x 1080 a 75 Hz (VGA) 1920 x 1080 a 100 Hz (HDMI/DP)
Tecnología Plug & Play	VESA DDCCI/DDC2B
Consumo	Modo de encendido: 21 W (típico) Modo de espera: ≤0,5 W Modo de apagado: ≤0,3 W

Tipos de conectores	HDMI 1.4 x 1 VGA (D-Sub) x 1 DP 1.2 x 1 USB tipo A (USB 3.2 Gen 1x3, cargador rápido USB 3.2 x1) USB tipo B (USB upstream x1) Entrada de audio de 3,5 mm Salida de audio de 3,5 mm (salida de auriculares)
Video	Interfaz D-Sub Interfaz HDMI Interfaz DP
Fuente de alimentación	Entrada: 100 a 240 V ~ 50/60 Hz
Condiciones medioambientales	Temperatura de funcionamiento: 0° a 40 °C (32° a 104 °F) Temperatura de almacenamiento: -20° a 60°C (-4 ° a 140 °F) Humedad de funcionamiento: 20 % a 80 %
Patrón VESA	100 x 100 mm

Nota: Los datos de consumo de energía se basan en las condiciones de ensayo estándar ErP.

Eliminación (solo para Europa)



La legislación sobre residuos de aparatos eléctricos y electrónicos (RAEE) tiene como objetivo minimizar el impacto de los productos eléctricos y electrónicos en el medioambiente y la salud humana gracias al aumento de la reutilización y el reciclaje y la reducción de la cantidad de RAEE que terminan en los vertederos. El símbolo en este producto o en su embalaje significa que debe desecharse por separado de la basura doméstica habitual al final de su vida útil. Ten en cuenta que es tu responsabilidad desechar los equipos electrónicos en los centros de reciclaje para conservar los recursos naturales. Cada país debe tener sus centros de recogida para reciclar equipos eléctricos y electrónicos. Para obtener información sobre el área de entrega de reciclaje, ponte en contacto con el organismo de gestión de residuos de equipos eléctricos y electrónicos correspondiente, con la oficina municipal local o con el servicio de eliminación de residuos domésticos. **Marca**

HDMI™ Los términos HDMI, HDMI High-Definition Multimedia Interface y el logotipo HDMI son marcas comerciales o marcas registradas de HDMI Licensing Administrator, Inc.

Comentarios y ayuda

Nos encantaría recibir tus comentarios. Considera la posibilidad de dejar una valoración y una reseña en tus pedidos. Si necesitas ayuda con tu producto, inicia sesión en tu cuenta y dirígete a la página de servicio al cliente o contacto.

Inhoud

Veiligheidsinstructies	67
Inhoud van de verpakking	68
Overzicht van de onderdelen.....	68
De monitor opstellen.....	70
De monitor gebruiken.....	71
Reiniging en onderhoud.....	74
Problemen oplossen.....	74
Specificaties.....	75
Afvoering (alleen voor Europa).....	77
Handelsmerk	77
Feedback en hulp.....	77

Veiligheidsinstructies

Lees de volgende instructies zorgvuldig en bewaar ze voor toekomstig gebruik.

1. Gebruik alleen de voedingsadapter die bij de monitor wordt geleverd. Gebruik de voedingsadapter niet voor andere producten.
2. Plaats de monitor niet in de buurt van een raam. Blootstelling aan regen, vocht of direct zonlicht kan ernstige schade aan de monitor veroorzaken.
3. Zorg dat de ventilatieopeningen aan de achterkant van de monitor niet worden bedekt met een krant, tafelkleed of gordijn of andere voorwerpen.
4. Druk niet op het lcd-scherm. Wanneer men te hard op de display drukt, kan deze permanent worden beschadigd.
5. Verwijder de behuizing niet en probeer het apparaat niet zelf te repareren. Alle onderhoudstaken moeten door een geautoriseerde technicus worden uitgevoerd.
6. Bewaar de monitor in een kamer met een temperatuur tussen -20 °C en 60 °C. Als de monitor bij een hogere of lagere temperatuur wordt bewaard, kan dat permanente schade veroorzaken.
7. In de volgende gevallen moet je de voedingsadapter van de monitor onmiddellijk loskoppelen en contact opnemen met een geautoriseerde technicus:
 - a. De signaalkabel tussen de monitor en de computer is versleten of beschadigd.
 - b. Er is vloeistof op de monitor gemorst of de monitor is blootgesteld aan regen.
 - c. De monitor of behuizing is beschadigd.
8. Deze apparatuur is niet geschikt voor gebruik in een omgeving waar vaak kinderen aanwezig zijn.
9. Lees deze instructies om te verzekeren dat de apparatuur correct en veilig wordt geïnstalleerd en aangesloten.
10. De stekker/connector van het apparaat functioneert als uitschakelmechanisme. Zorg dat het uitschakelmechanisme altijd goed bereikbaar is.
11. Gebruik deze monitor met het soort voeding dat op het specificatielabel wordt vermeld. Als je niet zeker weet wat voor voeding beschikbaar is, neem dan contact op met je dealer of plaatselijke energiebedrijf.
12. Als de voedingsadapter van de monitor van een geaarde stekker is voorzien, sluit deze dan op een geaard stopcontact aan.
13. Deze monitor is alleen bedoeld voor gebruik binnenshuis in een droge ruimte.



WAARSCHUWING Verstikkingsgevaar! Houd verpakkingsmateriaal uit de buurt van kinderen en huisdieren; deze materialen kunnen een gevaar vormen (bijvoorbeeld voor verstikking).

Instructies voor veilig luisteren

Om mogelijke gehoorschade te voorkomen:

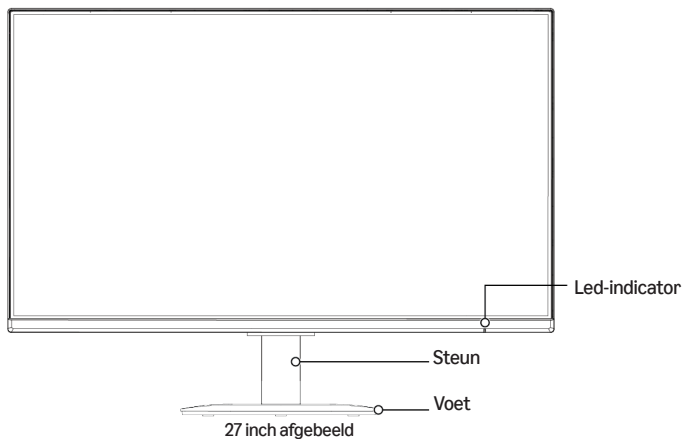
- ▶ Luister niet te lang op een hoog volume.
- ▶ Verhoog het volume geleidelijk en zet het volume dus niet ineens heel hoog.
- ▶ Zet het volume niet harder als je alles helder, comfortabel en zonder vervorming hoort.

Inhoud van de verpakking

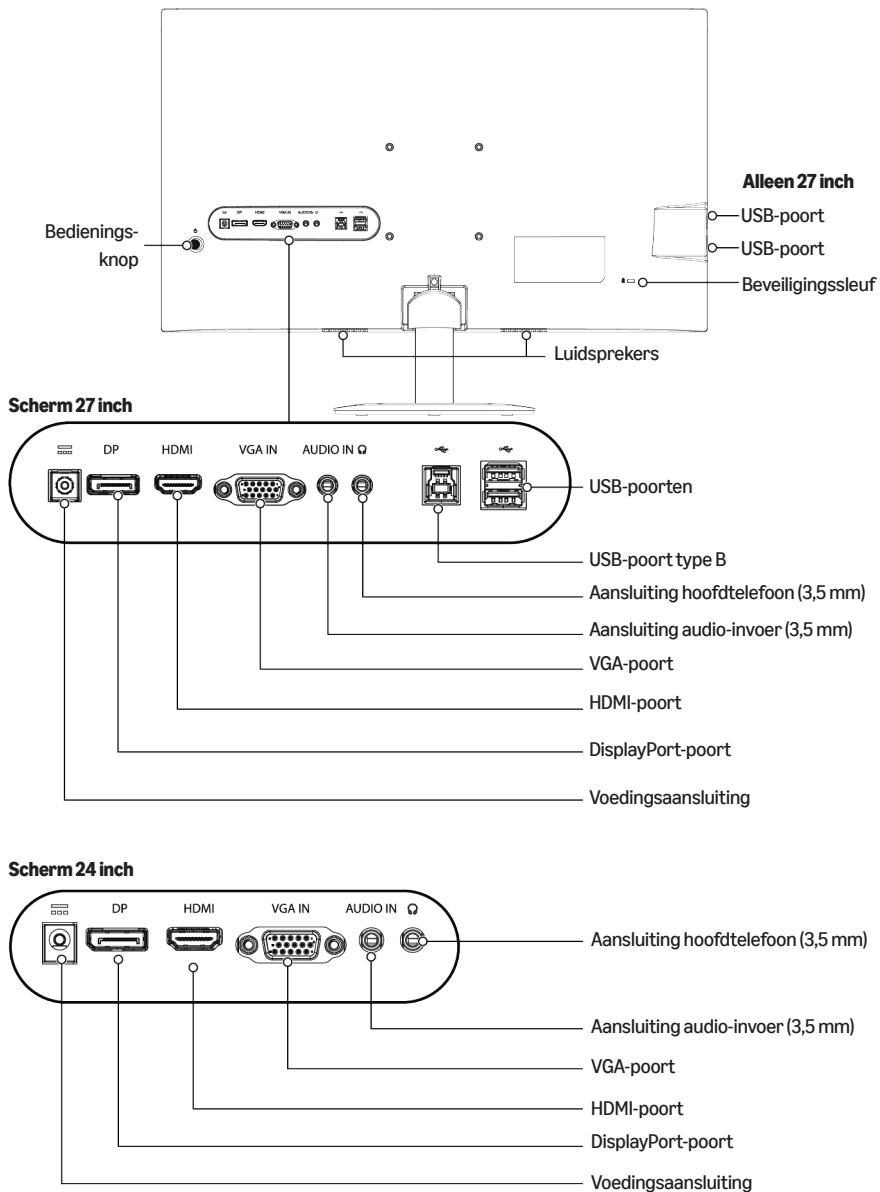
- ▶ Monitor
- ▶ Steun
- ▶ Voet
- ▶ Snelstartgids
- ▶ Voedingsadapter
- ▶ Netsnoer (alleen model van 27 inch)
- ▶ HDMI-kabel

Overzicht van de onderdelen

Monitor van 24 of 27 inch, voorzijde



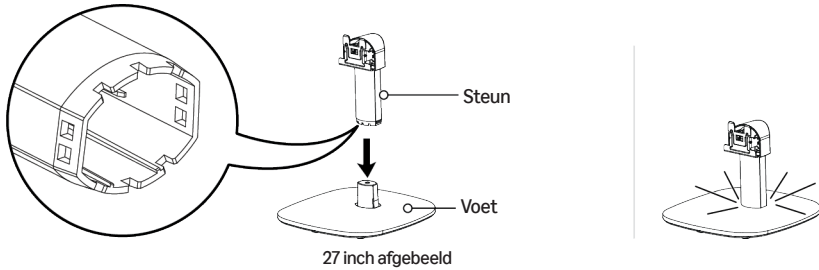
Monitor van 24 of 27 inch, achterzijde



De monitor opstellen

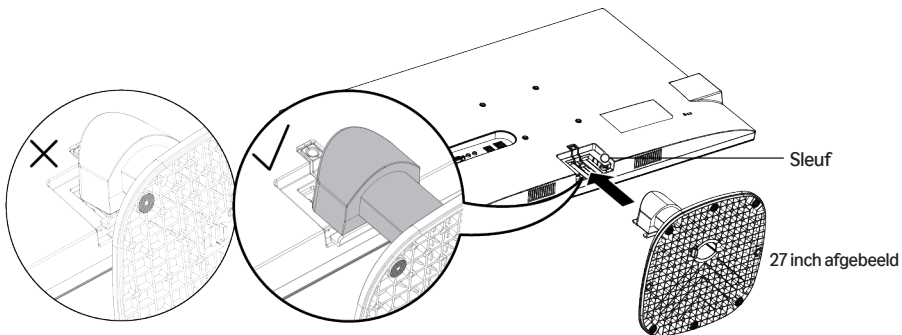
De steun van de monitor bevestigen

1. Plaats de monitor voorzichtig met het scherm omlaag op een zachte ondergrond om krassen te voorkomen.
2. Druk de steun op de bijbehorende voet. Je hoort een klik wanneer de draagarm en de basis goed zijn aangesloten.



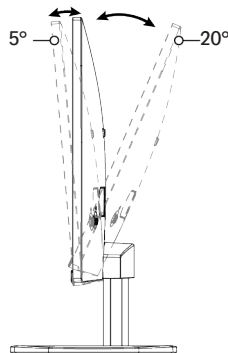
3. Schuif de bovenkant van de steun in de sleuf achterop de monitor. Je hoort een klik wanneer de steun goed is bevestigd.

Opmerking: Wanneer je de basis op de monitor installeert, moet deze horizontaal worden geplaatst zoals weergegeven in het diagram en moet je een klikgeluid horen. Als de basis niet horizontaal wordt geplaatst, kan de monitor niet worden bevestigd.



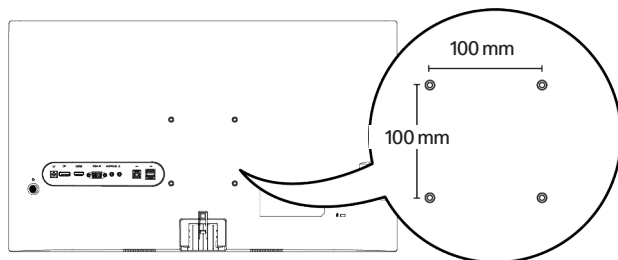
De kijkhoek afstellen

Zorg dat je het scherm bij het afstellen van de monitor niet aanraakt, en houd de steun op zijn plaats om te voorkomen dat de monitor omvalt. Je kunt de monitor 5° naar voren of 20° naar achteren kantelen.



Installeren met een wandmontagekit

Gebruik een VESA-montagekit (niet meegeleverd) die geschikt is voor een gatenpatroon van 100×100 mm en die voorzien is van vier M4×10 mm schroeven om de monitor aan een steun te bevestigen.

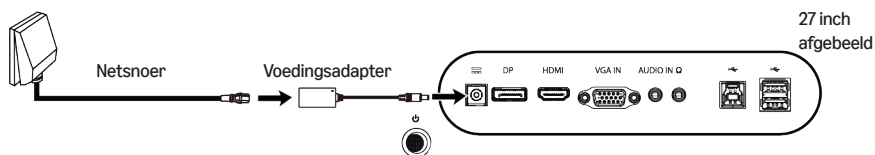


27 inch afgebeeld

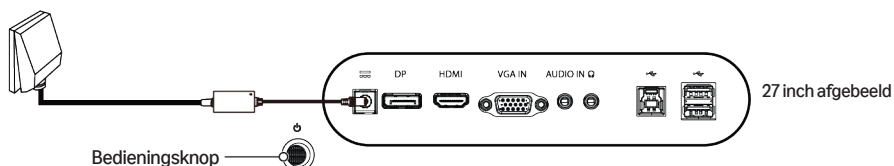
De monitor gebruiken

De monitor inschakelen

1. **Alleen voor model van 27 inch:** Sluit het netsnoer aan op de voedingsadapter.
2. Sluit de voedingsadapter aan op de voedingsaansluiting van de monitor en vervolgens op het stopcontact.



3. Druk kort op de bedieningsknop  om de monitor in te schakelen.

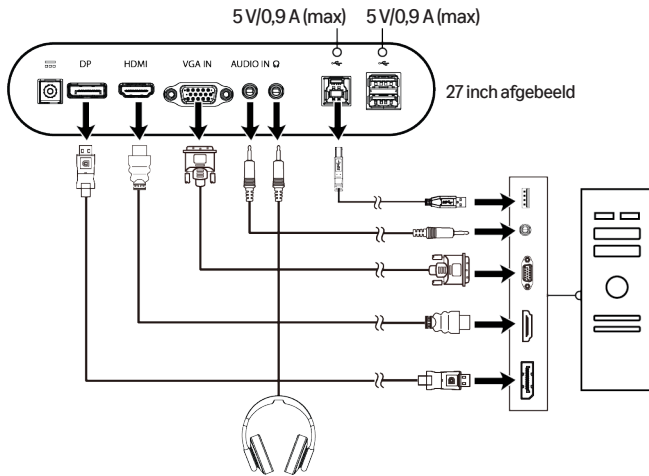


4. Houd de bedieningsknop  ingedrukt om de monitor uit te schakelen.

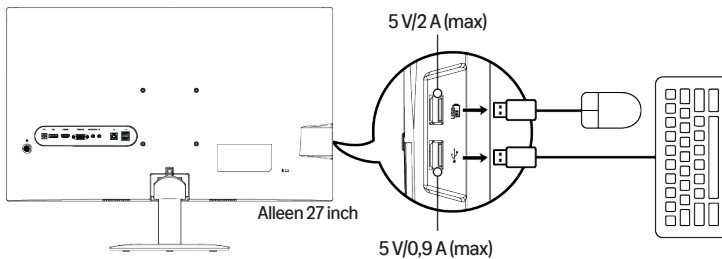
Aansluiten op een computer

1. Schakel de computer en monitor uit en haal vervolgens de stekkers uit het stopcontact.
2. Kies het type aansluiting:
 - ▶ **DisplayPort** (beste kwaliteit): Sluit een DisplayPort-kabel (niet meegeleverd) aan op de **DP-poort** van de monitor en vervolgens op de computer.
 - ▶ **HDMI** (betere kwaliteit): Sluit een HDMI-kabel (meegeleverd) aan op de **HDMI-poort** van de monitor en vervolgens op de computer.
 - ▶ **VGA** (goede kwaliteit): Sluit een VGA-kabel (niet meegeleverd) aan op de poort **VGA IN** van de monitor en vervolgens op de computer.
3. Als je een VGA-kabel hebt aangesloten, sluit je een AUX-kabel van 3,5 mm aan op de aansluiting **AUDIO IN** van je monitor en op de computer.

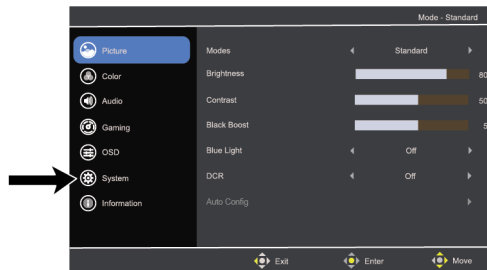
Opmerking: DisplayPort en HDMI dragen audiosignalen over. VGA vereist deze extra aansluiting.



4. **Alleen voor monitor van 27 inch:** Sluit een USB-kabel of USB-kabel van het type B aan tussen de monitor en je printer, toetsenbord, muis of ander randapparaat. USB-apparaten worden opgeladen terwijl de monitor is ingeschakeld. Wanneer de monitor wordt uitgeschakeld, stopt het opladen.



5. Sluit de stekkers van de computer en monitor weer op het stopcontact aan.
6. Zet de monitor en computer aan. Als het goed is, schakelt de monitor automatisch over naar de juiste bron. Kies indien nodig de ingangsbron door in het menu van de monitor naar **Systeem > Ingang** te gaan. Zie "De bedieningsknop gebruiken" op page 73 voor meer informatie.



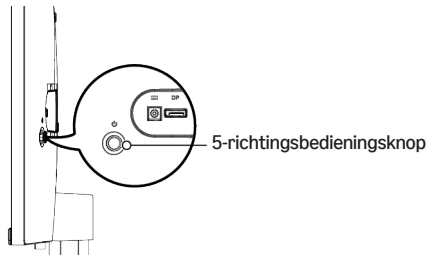
Een kabelslot installeren

Je kunt de monitor met een kabelslot (niet meegeleverd) aan een vast voorwerp bevestigen.

De bedieningsknop gebruiken

Gebruik de 5-richtingsbedieningsknop om door het hoofdmenu van de monitor te bladeren:

- ▶ **Kort indrukken:** Schakel de monitor in of open het menu wanneer de monitor is ingeschakeld.
- ▶ **Lang indrukken:** Schakel de monitor uit.
- ▶ **Omhoog/omlaag/links/rechts:** Druk op de knop om het menu te openen en gebruik vervolgens de pijlen om de instellingen aan te passen. Als je klaar bent, druk je op de pijl naar links om naar het vorige niveau te gaan totdat het menu wordt gesloten.



De instellingen aanpassen

Druk kort op de bedieningsknop of duw de knop omhoog, omlaag, naar links of naar rechts om het hoofdmenu te openen. Stel de monitor in met de opties in de volgende menu's: Beeld, Kleur, Audio, Spel, OSD, Systeem en Informatie.

Als je klaar bent, druk je meerdere keren op de bedieningsknop naar links om het hoofdmenu af te sluiten. Zie 'De bedieningsknop gebruiken' voor meer informatie over het gebruik van het menu.

Beeld

- ▶ **Modi:** Hiermee optimaliseer je de beeldkwaliteit voor algemeen gebruik. Je kunt kiezen uit Actie, Race, Sport, Gebruiker, Standaard, ECO, Afbeeldingen of Film.
- ▶ **Helderheid:** Hiermee kun je de balans tussen lichte en donkere tinten aanpassen. Kies een instelling van 0 (donkerst) tot 100 (helderst).
- ▶ **Contrast:** Hiermee kun je afstellen hoeveel contrast er is tussen lichte en donkere delen. Kies een instelling van 0 (minste contrast) tot 100 (meeste contrast).
- ▶ **Zwartversterking:** Vergroot de amplitude van de donkere kleurniveaus van de display, waardoor zwarttinten minder zwart worden. Hoe hoger het niveau, hoe groter de versterking.
- ▶ **Blauw licht:** Als deze functie is ingeschakeld, wordt blauw licht uitgefilterd door aanpassing van de verhouding van blauw licht dat wordt weergegeven.
- ▶ **DCR (Dynamic Contrast Ratio):** Dit past de achtergrondverlichting aan op basis van wat er op het scherm wordt weergegeven.
- ▶ **Autom. configuratie** (alleen VGA-modus): Hiermee pas je het beeld automatisch aan.
- ▶ **H. positie** (alleen VGA-modus): Past de horizontale positie aan van 0 tot 100.
- ▶ **V. positie** (alleen VGA-modus): Past de verticale positie aan van 0 tot 100.
- ▶ **Scherpstelling** (alleen VGA-modus): Past de focus aan van 0 tot 100.
- ▶ **Klok** (alleen VGA-modus): Past de klok aan van 0 tot 100.

Kleur

- ▶ **Gamma:** Past de luminantie aan. De standaardwaarde is 2.2 (standaardwaarde voor Windows).
- ▶ **Kleurtemp.:** Verandert de kleurtemperatuur. Kies uit Warm, Normaal, Koel of Gebruiker. De standaardinstelling is Warm.

Audio

- ▶ **Volume:** Past het volume aan.
- ▶ **Dempen:** Hiermee schakel je het geluid in of uit.

Spel

- ▶ **Over Drive:** Voorkomt bewegingsonscherpte in snel bewegende beelden. Kies Uit, Normaal of Extreem.
- ▶ **Adaptive-Sync:** Wanneer deze functie is ingeschakeld, worden screentearing en haperen voorkomen. De standaardinstelling is AAN.
- ▶ **Vernieuwingst.:** Dit geeft de huidige vernieuwingssnelheid van het scherm weer.

OSD (Weergave op het scherm)

- ▶ **Taal:** Stelt de taal van het OSD-menu in. Je kunt kiezen uit English / Русский / Deutsch / Français / Español / Italiano / Hollands / Finnish / Turkish / Polish / Portuguese / Brazilian Portuguese / 繁體中文 (Traditional Chinese) / 简体中文 (Simplified Chinese) / 日本語 (Japanese) / 한국어 / عَرَبِي / Svenska
- ▶ **Time-out OSD:** Stelt in na hoeveel tijd het OSD-menu wordt uitgeschakeld.
- ▶ **Doorzichtigheid:** Hiermee pas je de transparantie van het OSD-menu aan.

Systeem

- ▶ **Ingang:** Selecteert een beschikbare ingangsbron.
- ▶ **Autom. Bron:** Zoekt automatisch naar beschikbare ingangsbronnen.
- ▶ **Breedbeeldmodus:** Selecteert de beeldverhouding van het scherm.
- ▶ **DDC/CI:** Zorgt dat de monitorinstellingen via software op de computer kunnen worden geregeld.

Informatie

- ▶ Toont basisinformatie over het apparaat.
- ▶ **Alle inst. resetten:** Zet alle instellingen terug naar de fabrieksinstellingen.

Reinigen en onderhoud

Het scherm van de monitor reinigen:

1. Schakel de monitor uit en koppel de voedingsadapter los.
2. Spuit een oplosmiddelvrije reinigungsoplossing op een zachte doek en veeg het scherm voorzichtig schoon.

VOORZICHTIG

- ▶ Zorg dat je vloeistoffen niet rechtstreeks op het scherm of de rand van de monitor spuit of giet.
- ▶ Gebruik geen reinigungsmiddelen op basis van ammoniak of alcohol op het scherm of de rand van de monitor.

Problemen oplossen

Probleem	Oplossingen
Geen beeld (led brandt)	<ul style="list-style-type: none"> ▶ Controleer of de computer is ingeschakeld. ▶ Controleer of de kabel (DisplayPort, HDMI of VGA) correct en stevig is aangesloten op de monitor en computer. ▶ Controleer of de kabel niet beschadigd is. Open het menu om de instellingen voor Helderheid en Contrast te verhogen of de standaardinstellingen van de monitor te herstellen. ▶ Controleer of je de juiste ingangsbron hebt geselecteerd. Ga in het menu naar Systeem > Ingang.

Probleem	Oplossingen
Geen beeld (led is uit)	<ul style="list-style-type: none"> ▶ Controleer of het netsnoer is aangesloten en stroom ontvangt. ▶ Houd de bedieningsknop ingedrukt om de monitor in te schakelen.
Abnormaal beeld	<ul style="list-style-type: none"> ▶ Verschillende ingangsbronnen kunnen verschillende beeldverhoudingen hebben. Probeer de beeldverhouding in het menu aan te passen.
Kleurweergave is abnormaal	<ul style="list-style-type: none"> ▶ Controleer of de kabel (DisplayPort, HDMI of VGA) goed is aangesloten. ▶ Controleer of de kabel (DisplayPort, HDMI of VGA) niet is beschadigd en geen verbogen pinnen heeft. ▶ Probeer een andere kabel. ▶ Pas de Modus van het beeld of de Kleurtemp. aan om de kleur van de display te wijzigen.
Geen geluid of geluid staat te zacht	<ul style="list-style-type: none"> ▶ Controleer of de audiokabel is aangesloten. DisplayPort- en HDMI-kabels dragen audio over, en VGA-kabels vereisen een extra AUX-aansluiting van 3,5 mm. ▶ Controleer of de luidsprekers van de monitor niet zijn gedempt. ▶ Verhoog het volume op de computer.
De vernieuwingsfrequentie bereikt geen 100 Hz	<ul style="list-style-type: none"> ▶ Controleer of je computerpoort FHD (Full High Definition) bij 100 Hz ondersteunt. Bezoek de website van de fabrikant voor meer informatie. ▶ Zorg ervoor dat de grafische kaart van je computer een uitgang van 100 Hz ondersteunt en dat de drivers up-to-date zijn. Ga naar de website van de fabrikant om de nieuwste drivers te downloaden en te installeren. ▶ Zorg ervoor dat je een kabel hebt aangesloten die 100 Hz ondersteunt (zoals een DisplayPort- of HDMI 1.4-kabel). ▶ Open de geavanceerde beeldscherminstellingen van je computer en stel de vernieuwingsfrequentie in op 100 Hz.
De monitorstandaard is onstabiel	<ul style="list-style-type: none"> ▶ Zorg ervoor dat de draagarm en de ondersteuningsbasis correct zijn uitgelijnd. Zie "De steun van de monitor bevestigen" op page 70 voor meer informatie.
Ik weet niet hoe je het scherm in- of uitschakelt en hoe je de weergave op het scherm moet bedienen	<ul style="list-style-type: none"> ▶ Gebruik de bedieningsknop aan de achterkant van de monitor om de monitor in of uit te schakelen. ▶ Gebruik deze knop om de weergave op het scherm te bedienen. Zie "De bedieningsknop gebruiken" op page 73 voor meer informatie.

Specificaties

Monitor 24 inch

Inclusief B0CP7QLM3G/B0CP7S6TLR/B0CP7TRZWR/B0CP91ZJF9

Aandrijfsysteem	TFT LCD (kleur)
Zichtbare beeldgrootte	60 cm (23,8 in) (B)
Pixelafstand	0,2745 mm (H) x 0,2745 mm (V)
Reactietijd	5 ms GTG
Horizontaal scanbereik	VGA: 30–85 KHz HDMI: 30–120 KHz DisplayPort: 30–120 KHz

Verticaal scanbereik	VGA: 48–75 Hz HDMI: 48–100 Hz DisplayPort: 48–100 Hz
Scanformaat (max.)	Horizontaal: 527 mm Verticaal: 296 mm
Schermkleuren	16,7 miljoen kleuren
Maximale resolutie	1920 x 1080 @75 Hz (VGA) 1920 x 1080 @100 Hz (HDMI/DP)
Plug & Play	VESA DDCCI/DCC2B
Stroomverbruik	AAN-modus: 18 W (standaard) Stand-bymodus: ≤ 0,5 W Uit-modus: ≤ 0,3 W
Connectortypen	HDMI 1,4 x 1 VGA (D-Sub) x 1 DP 1.2 x 1 Aansluiting audio-invoer (3,5 mm) Aansluiting audio-uitvoer (3,5 mm; hoofdtelefoonuitgang)
Video	D-Sub-interface HDMI-interface DP-interface
Stroombron	Ingang: 100–240 V~ 50/60 Hz
Omgevingsomstandigheden	Bedrijfstemperatuur: 0° tot 40 °C Opslagtemperatuur: -20° tot 60 °C Bedrijfsvochtigheid: 20% tot 80%
VESA-patroon	100 x 100 mm

Opmerking: De gegevens over het stroomverbruik zijn gebaseerd op ErP-standaardtestomstandigheden.

Monitor 27 inch

Inclusief B0CP7R6KDQ/B0CP7Q9P14/B0CP7RZRMD/B0CP928BL3

Aandrijfsysteem	TFT LCD (kleur)
Zichtbare beeldgrootte	69 cm (27 in) (B)
Pixelafstand	0,3114 mm (H) x 0,3114 mm (V)
Reactietijd	5 ms GTG
Horizontaal scanbereik	VGA: 30–85 KHz HDMI: 30–120 KHz DisplayPort: 30–120 KHz
Verticaal scanbereik	VGA: 48–75 Hz HDMI: 48–100 Hz DisplayPort: 48–100 Hz
Scanformaat (max.)	Horizontaal: 598 mm Verticaal: 336 mm
Schermkleuren	16,7 miljoen kleuren
Maximale resolutie	1920 x 1080 @75 Hz (VGA) 1920 x 1080 @100 Hz (HDMI/DP)

Plug & Play	VESA DDCI/DDC2B
Stroomverbruik	AAN-modus: 21 W (standaard) Stand-bymodus: ≤ 0,5 W Uit-modus: ≤ 0,3 W
Connectortypen	HDMI 1,4 x 1 VGA (D-Sub) x 1 DP 1,2 x 1 USB type-A (USB 3.2 Gen 1x3, USB 3.2 snelle oplader x1) USB type-B (USB upstream x1) Aansluiting audio-ingang (3,5 mm) Aansluiting audio-uitvoer (3,5 mm; hoofdtelefoonuitgang)
Video	D-Sub-interface HDMI-interface DP-interface
Stroombron	Ingang: 100–240 V~ 50/60 Hz
Omgevingsomstandigheden	Bedrijfstemperatuur: 0° tot 40 °C Opslagtemperatuur: -20° tot 60 °C Bedrijfsvochtigheid: 20% tot 80%
VESA-patroon	100 x 100 mm

Opmerking: De gegevens over het stroomverbruik zijn gebaseerd op ErP-standaardtestomstandigheden.

Afvoering (alleen voor Europa)



De wetgeving inzake afgedankte elektrische en elektronische apparatuur (AEEA) heeft tot doel de impact van elektrische en elektronische goederen op het milieu en de menselijke gezondheid te minimaliseren door meer hergebruik en recycling te gebruiken en door de hoeveelheid AEEA die naar de stortplaats gaat te verminderen. Het symbool op dit product of op de verpakking betekent dat dit product aan het einde van de levensduur gescheiden van gewoon huishoudelijk afval moet worden afgevoerd. Houd er rekening mee dat het jouw verantwoordelijkheid is om elektronische apparatuur af te voeren naar recyclingcentra om natuurlijke grondstoffen in stand te houden. Elk land heeft eigen inzamelcentra voor het recyclen van elektrische en elektronische apparatuur. Neem voor informatie over jouw afvalverwerkingsgebied voor recycling contact op met de desbetreffende autoriteit voor afvalbeheer van elektrische en elektronische apparatuur, je plaatselijke stadskantoor of je afvalbedrijf voor afvoering van huishoudelijk afval.

Handelsmerk

HDMI™ De termen HDMI, HDMI High-Definition Multimedia Interface en het HDMI-logo zijn handelsmerken of gedeponeerde handelsmerken van HDMI Licensing Administrator, Inc.

Feedback en hulp

Graag ontvangen wij jouw feedback. Overweeg om een beoordeling en recensie achter te laten via je aankooporders. Als je hulp nodig hebt met je product, meld je dan aan bij je account en navigeer naar de klantenservice-/contactpagina.

Spis treści

Zasady bezpieczeństwa.....	79
Zawartość opakowania.....	79
Zestawienie części.....	80
Instalacja monitora.....	82
Używanie monitora.....	83
Czyszczenie i konserwacja.....	86
Rozwiązywanie problemów.....	87
Specyfikacja.....	88
Utylizacja (dotyczy tylko Europy).....	89
Znak towarowy.....	89
Opinie i pomoc.....	89

Zasady bezpieczeństwa

Przeczytaj uważnie niniejszą instrukcję i zachowaj ją do wykorzystania w przyszłości.

1. Używaj tylko zasilacza dostarczonego z monitorem. Nie używaj tego zasilacza z innymi produktami.
2. Nie umieszczaj monitora w pobliżu okna. Narażenie monitora na działanie deszczu, wilgoci lub bezpośredniego światła słonecznego może spowodować jego poważne uszkodzenie.
3. Nie zakrywaj otworów wentylacyjnych z tyłu monitora przedmiotami, takimi jak gazety, obrusy lub zasłony.
4. Nie naciskaj ekranu LCD. Zbyt mocne naciśnięcie może spowodować trwałe uszkodzenie wyświetlacza.
5. Nie zdejmuj obudowy ani nie podejmuj prób samodzielnej naprawy urządzenia. Wszystkie czynności konserwacyjne powinny być wykonywane przez autoryzowanego technika.
6. Monitor należy przechowywać w pomieszczeniu o temperaturze mieszczącej się w przedziale od -20°C do 60°C (od -4°F do 140°F). Przechowywanie monitora w temperaturze spoza tego przedziału może spowodować jego trwałe uszkodzenie.
7. Natychmiast odłącz zasilacz od monitora i skontaktuj się z autoryzowanym technikiem, jeśli:
 - a. kabel sygnałowy między monitorem a komputerem jest zużyty lub uszkodzony;
 - b. na monitor rozlał się płyn lub monitor został wystawiony na działanie deszczu;
 - c. monitor lub jego obudowa są uszkodzone.
8. Urządzenie nie nadaje się do użytku w miejscach, w których mogą przebywać dzieci.
9. Przeczytaj te instrukcje, aby prawidłowo i bezpiecznie zainstalować urządzenie i podłączyć je do innych sprzętów.
10. Podstawowym sposobem odłączania urządzenia jest jego wyjęcie wtyczki/złącza. Sposób ten musi być łatwo dostępny.
11. Monitor powinien być zasilany prądem elektrycznym o napięciu wskazanym na tabliczce znamionowej. Jeśli nie masz pewności co do rodzaju dostępnego zasilania, skonsultuj się ze sprzedawcą lub lokalnym zakładem energetycznym.
12. Jeśli zasilacz monitora ma wtyczkę z uziemieniem, należy podłączyć go do uziemionego gniazda.
13. Monitor jest przeznaczony do użytku wyłącznie w suchych pomieszczeniach.



OSTRZEŻENIE Ryzyko uduszenia! Trzymaj wszelkie materiały opakowaniowe poza zasięgiem dzieci i zwierząt domowych – materiały te stanowią potencjalne źródło zagrożenia (np. uduszeniem).

Instrukcje dotyczące bezpiecznego słuchania

Aby uniknąć uszkodzenia słuchu:

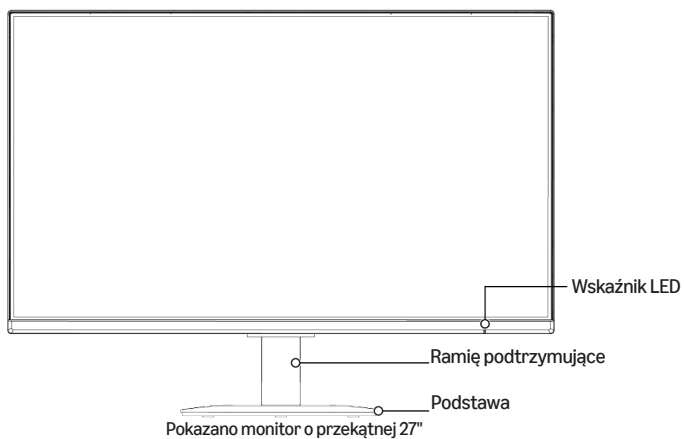
- ▶ Nie słuchaj muzyki przy ustawionym wysokim poziomie głośności przez długi czas.
- ▶ Nie ustawiaj gwałtownie bardzo wysokiego poziomu głośności, tylko zwiększaj go stopniowo.
- ▶ Nie ustawiaj poziomu głośności powyżej granicy, przed którą wszystko słyszysz wyraźnie, komfortowo i bez zniekształceń.

Zawartość opakowania

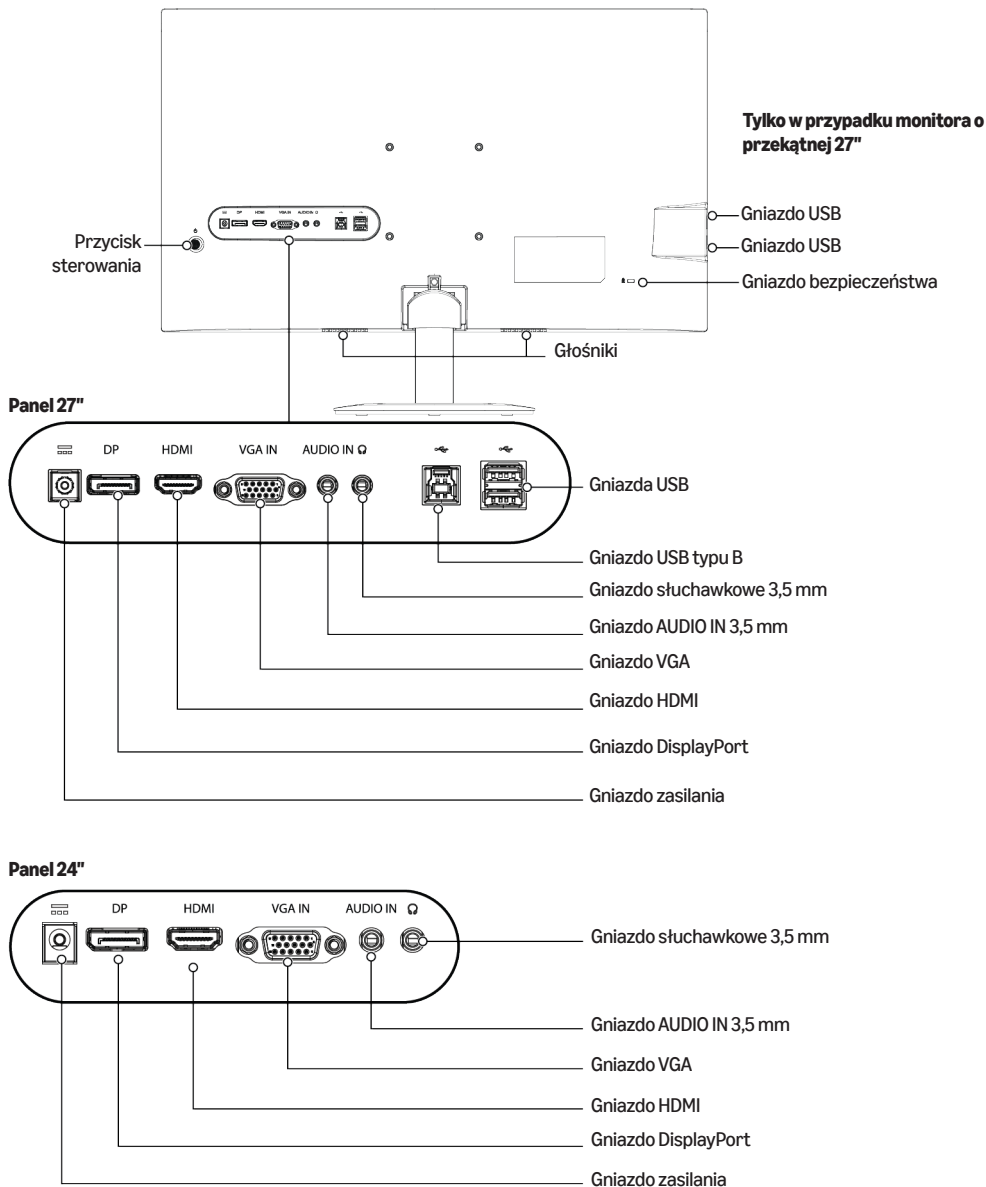
- ▶ Monitor
- ▶ Ramię podtrzymujące
- ▶ Podstawa
- ▶ Skrócona instrukcja konfiguracji
- ▶ Zasilacz
- ▶ Kabel zasilający (tylko w przypadku modelu o przekątnej 27")
- ▶ Kabel HDMI

Zestawienie części

Monitor o przekątnej 24" i 27" – przód



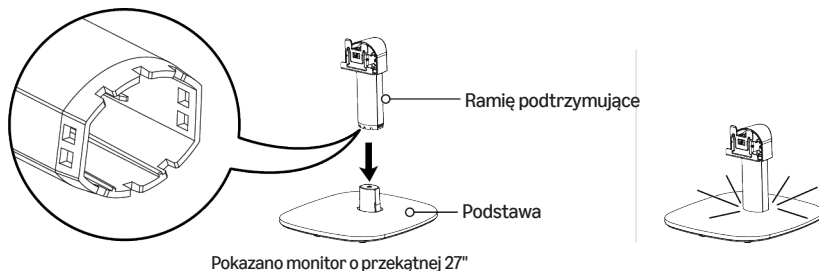
Monitor o przekątnej 24" i 27" – tył



Instalacja monitora

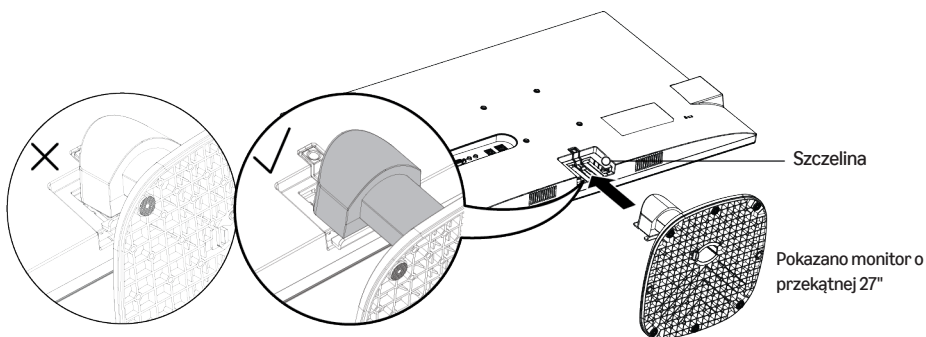
Montaż podstawy monitora

1. Ostrożnie połóż monitor ekranem do dołu na miękkiej powierzchni, aby nie dopuścić do jego zarysowania.
2. Wciśnij ramię podtrzymujące na podstawę. Po poprawnym połączeniu ramienia wspornika z podstawą usłyszysz kliknięcie.



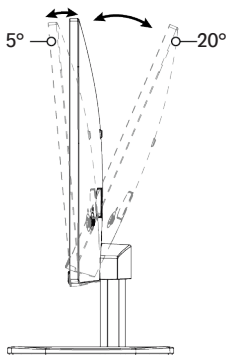
3. Wsuń górną część ramienia podporowego w szczelinę z tyłu monitora. O poprawnym połączeniu ramienia podporowego świadczy odgłos trzaśnięcia.

Uwaga: podczas montażu podstawy do monitora wsuń ją poziomo, zgodnie z rysunkiem, aż usłyszysz kliknięcie. Jeśli podstawa nie zostanie wsunięta poziomo, nie zablokuje monitora.



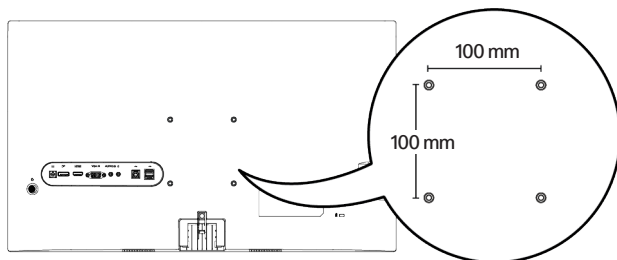
Regulacja kąta oglądania

Podczas dostosowywania ustawienia monitora nie dotykaj ekranu i przytrzymuj podstawę, aby monitor się nie przewrócił. Monitor można przechylać do przodu w zakresie do 5° lub do tyłu w zakresie do 20°.



Instalacja za pomocą zestawu do montażu ściennego

Użyj zestawu montażowego VESA (brak w zestawie) zgodnego z układem otworów 100 × 100 mm i czterema śrubami M4 × 10 mm umożliwiającymi przymocowanie monitora do uchwyty.

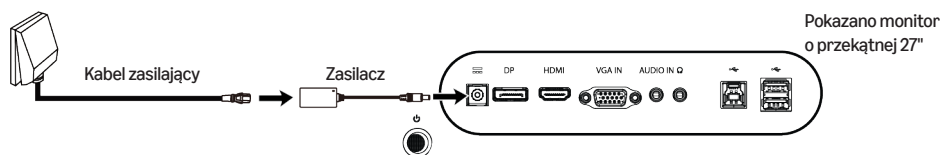



Pokazano monitor o przekątnej 27"

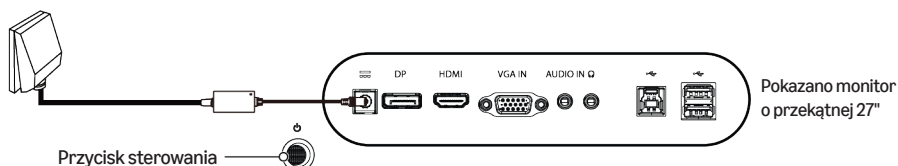
Używanie monitora

Zasilanie monitora

1. **Dotyczy tylko modelu o przekątnej 27"**: Podłącz kabel zasilający do zasilacza.
2. Podłącz zasilacz do gniazda zasilania monitora i gniazdka elektrycznego.



3. Aby włączyć monitor, krótko naciśnij przycisk sterowania .

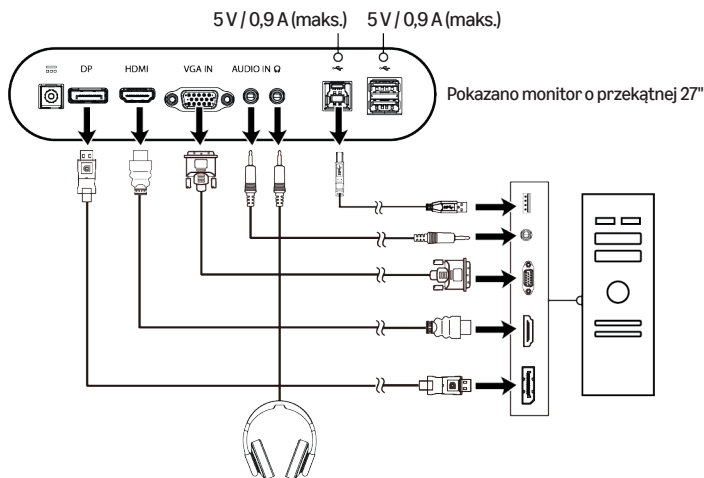


4. Aby wyłączyć monitor, naciśnij i przytrzymaj przycisk sterowania .

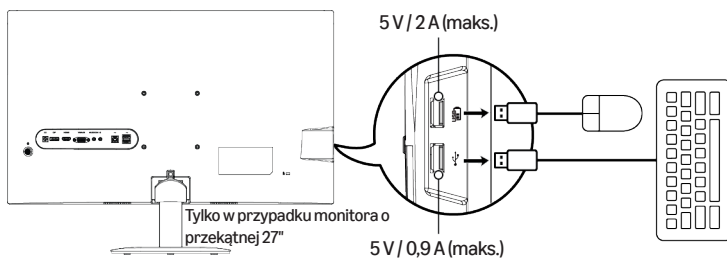
Podłączanie do komputera

1. Wyłącz komputer i monitor, a następnie odłącz ich kable zasilające.
2. Wybierz typ połączenia:
 - ▶ **DisplayPort** (najlepsza jakość): Podłącz do komputera kabel DisplayPort (brak w komplecie) podłączony do gniazda **DP** monitora.
 - ▶ **HDMI** (lepsza jakość): Podłącz do komputera kabel HDMI (w komplecie) podłączony do gniazda **HDMI** monitora.
 - ▶ **VGA** (dobra jakość): Podłącz do komputera kabel VGA (brak w komplecie) podłączony do gniazda **VGA IN** monitora.
3. W przypadku podłączenia za pomocą kabla VGA podłącz do komputera kabel AUX 3,5 mm wychodzący z gniazda **AUDIO IN** monitora.

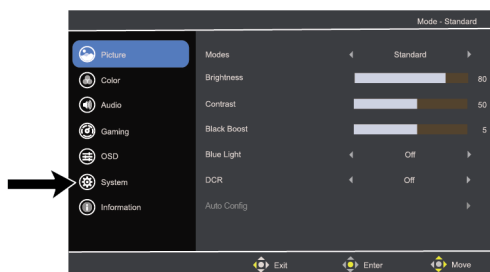
Uwaga: Kable DisplayPort i HDMI umożliwiają przesyłanie sygnału audio. Podłączenie za pomocą kabla VGA wymaga dodatkowego połączenia.



4. **Tylko w przypadku monitora o przekątnej 27"**: Połącz monitor z drukarką, klawiaturą, myszą lub innym urządzeniem peryferyjnym za pomocą kabla USB lub USB typu B. Gdy monitor jest włączony, urządzenia USB się ładują. Po wyłączeniu monitora ładowanie zostaje zatrzymane.



5. Podłącz ponownie kable zasilające komputera i monitora.
6. Włącz monitor i komputer. Monitor powinien automatycznie przełączyć się na właściwe źródło sygnału wejściowego. W razie potrzeby wybierz źródło sygnału wejściowego, wybierając kolejno w menu monitora **System > Wejście**. Więcej informacji: „Używanie przycisku sterowania” na stronie „Używanie przycisku sterowania” on page 85.



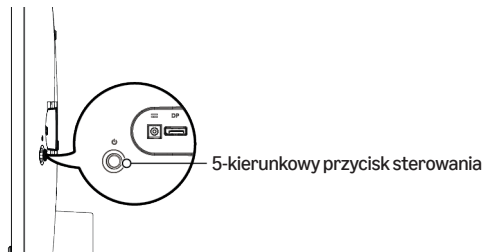
Montaż blokady linkowej

Monitor można przymocować do stałego obiektu za pomocą blokady linkowej (brak w komplecie).

Używanie przycisku sterowania

5-kierunkowy przycisk sterowania służy do poruszania się po menu głównym monitora:

- ▶ **Krótkie naciśnięcie:** Włączenie monitora lub otwarcie menu, gdy monitor jest włączony.
- ▶ **Długie naciśnięcie:** Wyłączenie monitora.
- ▶ **Góra / Dół / W lewo / W prawo:** Naciśnij przycisk, aby otworzyć menu, a następnie użyj strzałek kierunkowych, aby dostosować ustawienia. Po zakończeniu naciśnij przycisk „W lewo”, aby cofnąć się o jeden poziom aż do zamknięcia menu.



Dostosowywanie ustawień

Krótkie naciśnięcie przycisku sterowania lub naciśnięcie go w górę, w dół, w lewo lub w prawo powoduje otwarcie menu głównego. Do regulacji ustawień monitora służą opcje w następujących menu: Obraz, Kolor, Dźwięk, Gry, OSD (wyświetlanie parametrów ustawień na ekranie), System i Informacje.

Po zakończeniu naciśnij kilka razy przycisk sterowania w lewo, aby wyjść z menu głównego. Więcej informacji na temat poruszania się po menu znajdziesz w sekcji „Używanie przycisku sterowania”.

Obraz

- ▶ **Tryby:** Optymalizuje jakość obrazu pod kątem ogólnie wyświetlanych treści. Do wyboru są następujące opcje: Akcja, Wyścigi, Sport, Użytkownik, Standard, ECO, Grafika i Film.
- ▶ **Jasność:** Dostosowuje balans między jasnymi i ciemnymi odcieniami. Wybierz wartość od 0 (najciemniejsze) do 100 (najjaśniejsze).
- ▶ **Kontrast:** Dostosowuje stopień różnicy między jasnymi i ciemnymi obszarami. Wybierz wartość od 0 (najmniejszy kontrast) do 100 (największy kontrast).
- ▶ **Wzmocnienie czerni:** Zwiększa amplitudę poziomów ciemnych kolorów wyświetlanych na wyświetlaczu, sprawiając, że czerń staje się mniej czarna. Im wyższy poziom, tym wyższe wzmocnienie.
- ▶ **Niebieskie światło:** Po włączeniu odfiltruje niebieskie światło, dostosowując proporcje wyświetlanego niebieskiego światła.
- ▶ **DCR** (dynamiczny współczynnik kontrastu): Dostosowuje podświetlenie w zależności od tego, co jest wyświetlane na ekranie.
- ▶ **Konfiguracja automatyczna** (tylko tryb VGA): Automatycznie dostosowuje obraz.
- ▶ **Pozycja pozioma** (tylko tryb VGA): Dostosowuje pozycję poziomą w zakresie od 0 do 100.
- ▶ **Pozycja pionowa** (tylko tryb VGA): Dostosowuje pozycję pionową w zakresie od 0 do 100.
- ▶ **Ostrość** (tylko tryb VGA): Dostosowuje ostrość w zakresie od 0 do 100.
- ▶ **Zegar** (tylko tryb VGA): Dostosowuje zegar w zakresie od 0 do 100.

Kolor

- ▶ **Gamma:** Dostosowuje poziom luminancji. Domyślną wartością jest 2.2 (standardowa wartość dla systemu Windows).
- ▶ **Temperatura barwowa:** Zmienia temperaturę barwową. Do wyboru są następujące opcje: Ciepła, Normalna, Chłodna lub Użytkownika. Domyślnym ustawieniem jest Ciepła.

Audio

- ▶ **Głośność:** Dostosowuje głośność.
- ▶ **Wyciszenie:** Wycisza lub włącza dźwięk.

Gry

- ▶ **Tryb Overdrive:** Zapobiega rozmyciu ruchu w przypadku szybko poruszających się obrazów. Do wyboru są następujące opcje: Wyłączony, Normalny i Ekstremalny.
- ▶ **Synchronizacja adaptacyjna:** Po włączeniu zapobiega rozrywaniu i zacinaniu się obrazu. Domyślnie funkcja ta jest włączona.
- ▶ **Częstotliwość odświeżania:** Wyświetla bieżącą częstotliwość odświeżania ekranu.

OSD (wyświetlanie parametrów ustawień na ekranie)

- ▶ **Język:** Umożliwia ustawienie języka menu OSD. Do wyboru są następujące opcje: English / Русский / Deutsch / Français / Español / Italiano / Hollands / Finnish / Turkish / Polish / Portuguese / Brazilian Portuguese / 繁體中文 (Traditional Chinese) / 简体中文 (Simplified Chinese) / 日本語 (Japanese) / 한국어/عربي / Svenska
- ▶ **Limit czasu menu OSD:** Umożliwia ustawienie czasu, po jakim następuje wyłączenie menu OSD.
- ▶ **Przejrzystość:** Dostosowuje przezroczystość menu OSD.

System

- ▶ **Sygnał wejściowy:** Wybiera źródło spośród dostępnych źródeł sygnału.
- ▶ **Automatyczny wybór źródła sygnału:** Automatycznie wyszukuje dostępne źródła sygnału wejściowego.
- ▶ **Tryb panoramiczny:** Umożliwia wybór proporcji ekranu.
- ▶ **DDC/CI:** Umożliwia skonfigurowanie ustawień monitora za pomocą oprogramowania na komputerze.

Informacje

- ▶ Wyświetla podstawowe informacje o urządzeniu.
- ▶ **Resetuj wszystkie ustawienia:** Resetuje wszystkie ustawienia do wartości fabrycznych.

Czyszczenie i konserwacja

Aby wyczyścić ekran monitora:

1. Wyłącz monitor i odłącz zasilacz.
2. Spryskaj miękką szmatkę roztworem czyszczącym niezawierającym rozpuszczalnika i delikatnie przetrzyj ekran.

⚠ OSTROŻNIE

- ▶ Nie rozpylaj ani wylewaj żadnych płynów bezpośrednio na ekran lub ramkę.
- ▶ Do czyszczenia ekranu lub ramki monitora nie używaj środków czyszczących na bazie amoniaku ani alkoholu.

Rozwiązywanie problemów

Problem	Rozwiązania
Brak obrazu (dioda LED nie świeci)	<ul style="list-style-type: none"> ▶ Upewnij się, że komputer jest włączony. ▶ Upewnij się, że kabel (DisplayPort, HDMI lub VGA) jest prawidłowo i bezpiecznie podłączony do monitora i komputera. ▶ Upewnij się, że kabel nie jest uszkodzony. Otwórz menu, aby zwiększyć jasność i kontrast lub zresetować ustawienia monitora do wartości fabrycznych. ▶ Upewnij się, że zostało wybrane właściwe źródło sygnału wejściowego. W menu przejdź do opcji System > Wejście.
Brak obrazu (dioda LED nie świeci)	<ul style="list-style-type: none"> ▶ Upewnij się, że kabel zasilający jest podłączony i dochodzi do niego prąd. ▶ Naciśnij i przytrzymaj przycisk sterowania, aby włączyć monitor.
Nieprawidłowy obraz	<ul style="list-style-type: none"> ▶ Różne źródła sygnałów wejściowych mogą mieć różne proporcje obrazu. Spróbuj zmienić proporcje obrazu w menu.
Kolory nie wyświetlają się prawidłowo	<ul style="list-style-type: none"> ▶ Sprawdź, czy kabel (DisplayPort, HDMI lub VGA) jest dobrze wetknięty do gniazda. ▶ Upewnij się, że kabel (DisplayPort, HDMI lub VGA) nie jest uszkodzony lub nie ma wygiętych styków. ▶ Spróbuj użyć innego kabla. ▶ Dostosuj Tryb obrazu lub Temperaturę barwową, aby zmienić kolor wyświetlacza.
Brak dźwięku lub dźwięk jest zbyt cichy	<ul style="list-style-type: none"> ▶ Upewnij się, że jest podłączony kabel audio. Kable DisplayPort i HDMI umożliwiają przesyłanie sygnału audio, natomiast kabel VGA wymaga dodatkowego połączenia AUX 3,5 mm. ▶ Upewnij się, że głośniki monitora nie są wyciszone. ▶ Zwiększ głośność na komputerze.
Częstotliwość odświeżania nie osiąga 100 Hz	<ul style="list-style-type: none"> ▶ Sprawdź, czy port komputera obsługuje rozdzielczość FHD (Full High Definition) przy 100 Hz. Więcej informacji znajdziesz na stronie producenta. ▶ Sprawdź, czy karta graficzna komputera obsługuje wyjście 100 Hz i czy ma aktualne sterowniki. Pobierz najnowsze sterowniki ze strony producenta i zainstaluj je. ▶ Sprawdź, czy podłączony jest kabel obsługujący 100 Hz (na przykład kabel DisplayPort lub HDMI 1.4). ▶ Otwórz zaawansowane ustawienia ekranu na komputerze i ustaw częstotliwość odświeżania na 100 Hz.
Podstawa monitora jest niestabilna	<ul style="list-style-type: none"> ▶ Sprawdź, czy ramie i podstawa są prawidłowo wyrównane. Więcej informacji znajdziesz w rozdziale "Montaż podstawy monitora" on page 82.
Nie wiem, jak sterować wyświetlaniem na ekranie i włączaniem/wyłączaniem zasilania	<ul style="list-style-type: none"> ▶ Do włączania/wyłączania monitora należy używać przycisku sterowania znajdującego się z tyłu monitora. ▶ Przycisk ten służy do sterowania wyświetlaniem na ekranie. Więcej informacji znajdziesz w rozdziale "Używanie przycisku sterowania" on page 85.

Specyfikacja

Monitor 24"

Obejmuje model B0CP7QLM3G/B0CP7S6TLR/B0CP7TRZWR/B0CP91ZJF9

Układ sterujący	Kolorowy wyświetlacz LCD TFT
Rozmiar wyświetlanego obrazu	23,8" Szerokość (60 cm)
Skok pikseli	0,2745 mm (w poziomie) x 0,2745 mm (w pionie)
Czas reakcji	5 ms GTG
Zakres skanowania poziomego	VGA: 30–85 kHz HDMI: 30–120 kHz DisplayPort: 30–120 kHz
Zakres skanowania pionowego	VGA: 48–75 Hz HDMI: 48–100 Hz DisplayPort: 48–100 Hz
Rozmiar skanowania (maks.)	Poziomo: 527 mm Pionowo: 296 mm
Kolory wyświetlacza	16,7 mln kolorów
Maksymalna rozdzielczość	1920 x 1080 przy 75 Hz (VGA), 1920 x 1080 przy 100 Hz (HDMI/DP)
Plug & Play	VESA DDCCI/DCC2B
Zużycie energii elektrycznej	Tryb włączony: 18 W (zazwyczaj) Tryb czuwania: ≤0,5 W Tryb wyłączony: ≤0,3 W
Typy złączy	HDMI 1.4 x 1 VGA (D-Sub) x 1 DP 1.2 x 1 wejście audio 3,5 mm i wyjście audio 3,5 mm (wyjście słuchawkowe)
Wideo	Interfejs D-Sub interfejs HDMI interfejs DP
Źródło zasilania	Sygnal wejściowy: 100–240 V, ~50/60 Hz
Warunki otoczenia	Temperatura pracy: 0°–40°C (32°–104°F) Temperatura przechowywania: -20°–60°C (-4°–140°F) Wilgotność podczas pracy: 20–80%
Typ VESA	100 x 100 mm

Uwaga: Dane dotyczące zużycia energii są oparte na standardowych warunkach testowych ErP.

Monitor 27"

Obejmuje model B0CP7R6KDQ/B0CP7Q9P14/B0CP7RZRMD/B0CP928BL3

Układ sterujący	Kolorowy wyświetlacz LCD TFT
Rozmiar wyświetlanego obrazu	27" (szerokość 69 cm)
Skok pikseli	0,3114 mm (w poziomie) x 0,3114 mm (w pionie)
Czas reakcji	5 ms GTG

Zakres skanowania poziomego	VGA: 30–85 kHz HDMI: 30–120 kHz DisplayPort: 30–120 KHz
Zakres skanowania pionowego	VGA: 48–75 Hz HDMI: 48–100 Hz DisplayPort: 48–100 Hz
Rozmiar skanowania (maks.)	Poziomo: 598 mm Pionowo: 336 mm
Kolory wyświetlacza	16,7 mln kolorów
Maksymalna rozdzielczość	1920 x 1080 przy 75 Hz (VGA), 1920 x 1080 przy 100 Hz (HDMI/DP)
Plug & Play	VESA DDCI/DDC2B
Zużycie energii elektrycznej	Tryb włączony: 21 W (typowo) Tryb czuwania: ≤0,5 W Tryb wyłączony: ≤0,3 W
Typy złączy	HDMI 1.4 x1 VGA (D-Sub) x1 DP 1.2 x1 USB typu A (USB 3.2 Gen 1 x3, USB 3.2 szybkie ładowanie x1) USB typu B (wysyłanie danych przez USB x1) Wejście audio jack 3,5 mm wyjście audio jack 3,5 mm (wyjście słuchawkowe)
Wideo	Interfejs D-Sub interfejs HDMI interfejs DP
Źródło zasilania	Sygnal wejściowy: 100–240 V, -50/60 Hz
Warunki otoczenia	Temperatura pracy: 0°–40°C (32°–104°F) Temperatura przechowywania: -20°–60°C (-4°–140°F) Wilgotność podczas pracy: 20–80%
Typ VESA	100 x 100 mm

Uwaga: Dane dotyczące zużycia energii są oparte na standardowych warunkach testowych ErP.

Utylizacja (dotyczy tylko Europy)



Ustawy o zużyтым sprzęcie elektrycznym i elektronicznym (WEEE) mają na celu zminimalizowanie wpływu towarów elektrycznych i elektronicznych na środowisko i zdrowie ludzkie poprzez zwiększenie skali ponownego wykorzystania i recyklingu oraz zmniejszenie ilości sprzętu WEEE trafiającego na składowiska. Symbol umieszczony na tym produkcie lub jego opakowaniu oznacza, że po zakończeniu eksploatacji produkt ten należy utylizować oddzielnie od zwykłych odpadów domowych. Pamiętaj, że Twoim obowiązkiem jest utylizacja sprzętu elektronicznego w zakładach zajmujących się recyklingiem w celu ochrony zasobów naturalnych. Każdy kraj powinien posiadać własne centra zbiórki sprzętu elektrycznego i elektronicznego do recyklingu. Aby uzyskać informacje na temat punktu recyklingu, skontaktuj się z odpowiednim organem ds. gospodarki zużyтым sprzętem elektrycznym i elektronicznym, lokalnym urzędem miasta lub firmą zajmującą się usuwaniem odpadów z gospodarstw domowych.

Znak towarowy



Terminy „HDMI”, „HDMI High-Definition Multimedia Interface” oraz logo HDMI są znakami towarowymi lub zastrzeżonymi znakami towarowymi HDMI Licensing Administrator, Inc.

Opinie i pomoc

Chcielibyśmy poznać Twoją opinię. Zachęcamy do pozostawienia oceny i recenzji. Można to zrobić w sekcji zamówień. Jeśli potrzebujesz pomocy dotyczącej produktu, zaloguj się na konto, a następnie przejdź na stronę „Dział Obsługi Klienta” lub „Skontaktuj się z nami”.

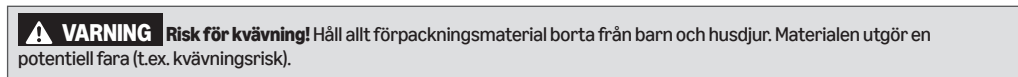
Innehåll

Säkerhetsanvisningar	91
Förpackningens innehåll.....	91
Översikt över delar.....	92
Ställa in bildskärmen	94
Använda bildskärmen.....	95
Rengöring och underhåll	98
Felsökning.....	98
Specifikationer.....	99
Avfallshantering (endast för Europa)	101
Varumärke.....	101
Återkoppling och hjälp.....	101

Säkerhetsanvisningar

Läs följande anvisningar noggrant och spara dem för framtida bruk.

1. Använd endast nätadaptern som medföljer bildskärmen. Använd inte nätadaptern med andra produkter.
2. Placera inte bildskärmen i närheten av ett fönster. Om bildskärmen exponeras för regn, fukt eller direkt solljus kan den få allvarliga skador.
3. Du får inte täcka över ventilationsöppningarna på bildskärmens baksida med föremål som tidningar, dukar eller gardiner.
4. Tryck inte på LCD-skärmen. Om du trycker med överdriven kraft kan det orsaka permanent skada på skärmen.
5. Ta inte bort höljet eller försök att reparera enheten själv. Allt underhållsarbete ska utföras av en auktoriserad tekniker.
6. Förvara bildskärmen i ett rum med en temperatur på -20–60 °C (-4–140 °F). Det kan uppstå permanenta skador om bildskärmen förvaras utanför det här intervallet.
7. Koppla omedelbart ur bildskärmens nätadapter och kontakta en auktoriserad tekniker om:
 - a. signalkabeln mellan bildskärmen och datorn är sliten eller skadad
 - b. vätska spills på bildskärmen eller om den utsätts för regn
 - c. bildskärmen eller höljet är skadat.
8. Den här utrustningen är inte lämplig att användas på platser där barn förväntas vara närvarande.
9. Läs anvisningarna för att säkerställa en korrekt och säker installation och anslutning av utrustningen.
10. Kombinationen av elkontakten och utrustningen används som bortkopplingsanordning. Bortkopplingsanordningen måste förbli lättillgänglig och funktionell.
11. Den här bildskärmen bör drivas med samma effekt som anges på typskylten. Om du är osäker på vilken typ av effekt som finns tillgänglig ska du kontakta din återförsäljare eller ditt lokala elbolag.
12. Om bildskärmens nätadapter har en jordad kontakt ska den användas med ett jordat uttag.
13. Den här bildskärmen är endast avsedd att användas i torra utrymmen inomhus.



Anvisningar för säkert lyssnande

För att undvika eventuella hörselskador:

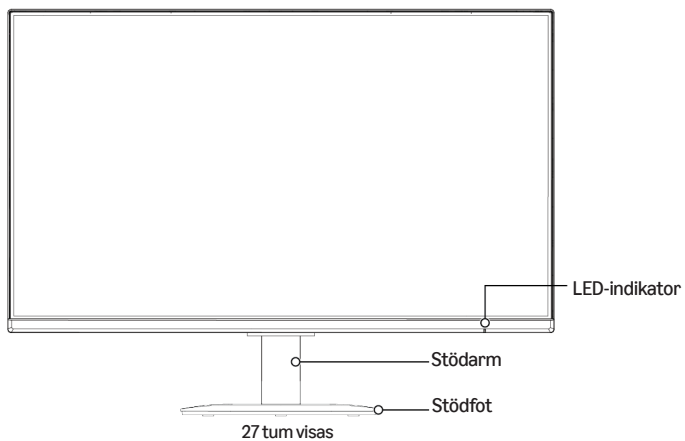
- ▶ Lyssna inte med hög volym under långa perioder.
- ▶ Öka volymen gradvis istället för att omedelbart höja den till en mycket hög nivå.
- ▶ Öka inte volymen ytterligare när den är justerad så att du kan höra tydligt och bekvämt utan störningar.

Förpackningens innehåll

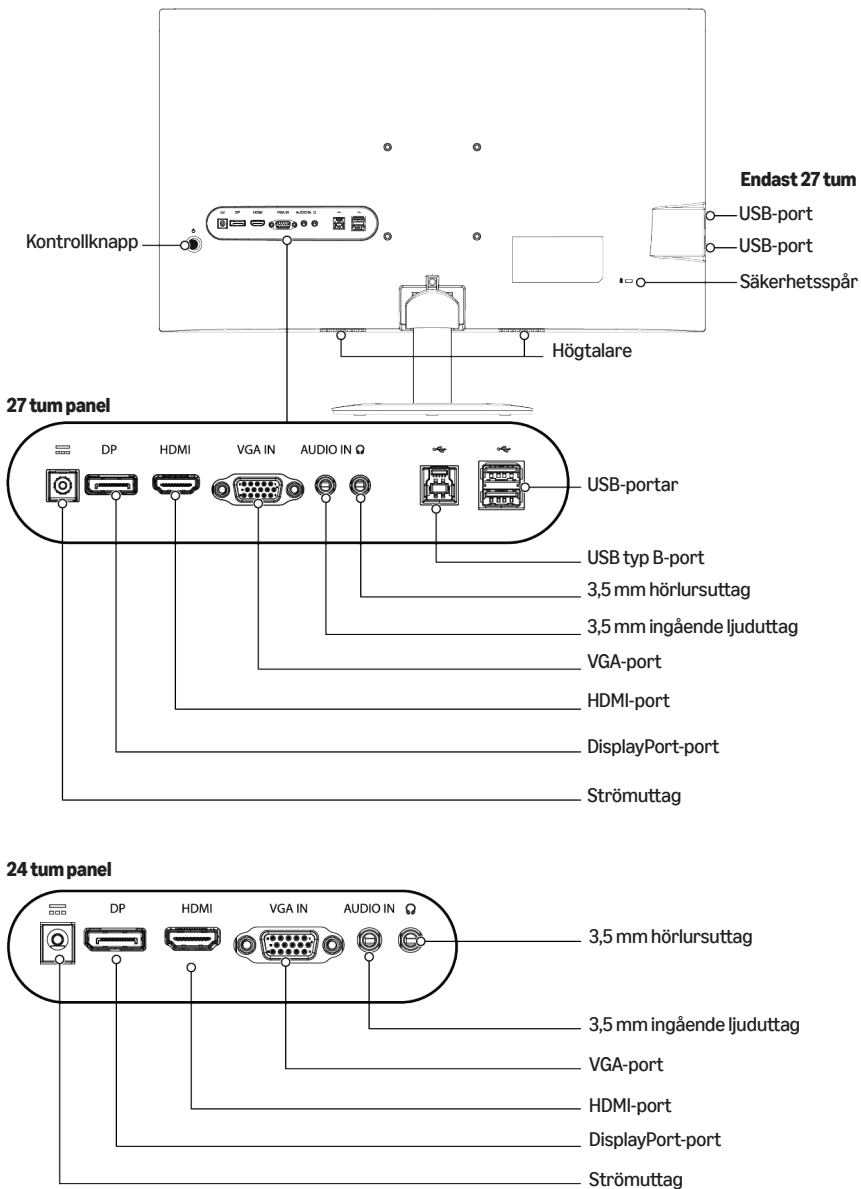
- ▶ Bildskärm
- ▶ Stödarm
- ▶ Stödfot
- ▶ Snabbguide
- ▶ Nätadapter
- ▶ Nätsladd (endast modellen på 27 tum)
- ▶ HDMI-kabel

Översikt över delar

24 tum och 27 tum bildskärm - framsida



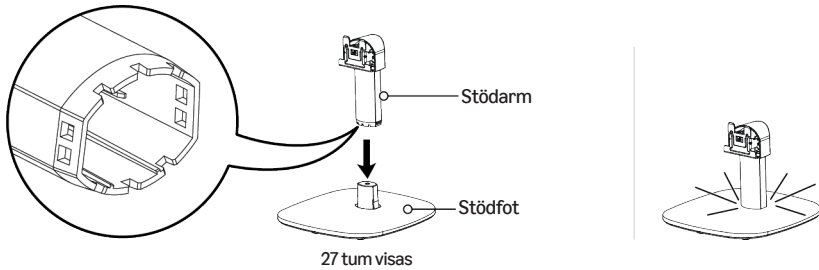
24 tum och 27 tum bildskärm – baksida



Ställa in bildskärmen

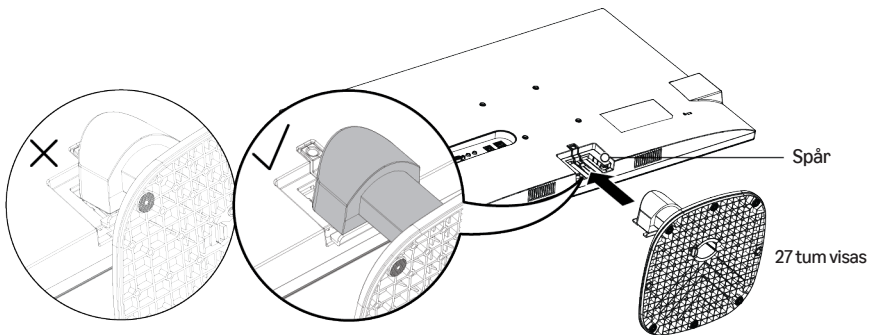
Montera bildskärmens fot

1. Placera försiktigt bildskärmen med framsidan nedåt på en mjuk yta för att förhindra att den repas.
2. Tryck fast stödarmen på stödfoten. När stödarmen och basen är ordentligt anslutna hörs ett klickljud.



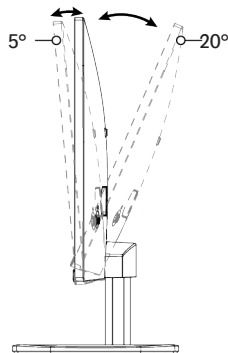
3. Skjut fast den övre delen av stödarmen i spåret på bildskärmens baksida. När stödarmen är ordentligt ansluten hörs ett klickljud.

Anmärkning: Vid montering av basen på skärmen ska den sättas in i horisontellt läge enligt bilden och ett klickljud ska höras. Om den inte sätts in i horisontellt läge fästs inte basen på skärmen.



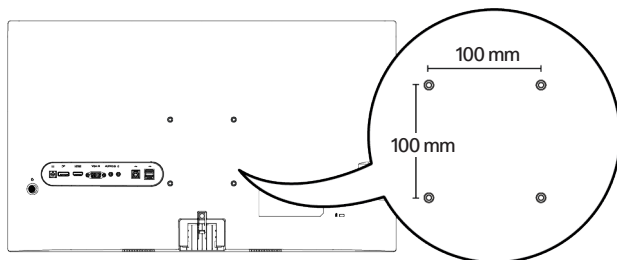
Justera bildvinkeln

Vid justering av bildskärmen ska du undvika att röra vid skärmen och hålla stativet på plats för att förhindra att det välter. Skärmen lutar framåt upp till 5° eller bakåt upp till 20°.



Installera den med en väggmonteringsatts

Använd en VESA-monteringsatts (medföljer ej) som passar ett hålmönster på 100×100 mm och har fyra M4×10 mm skruvar för att sätta fast bildskärmen på ett fäste.

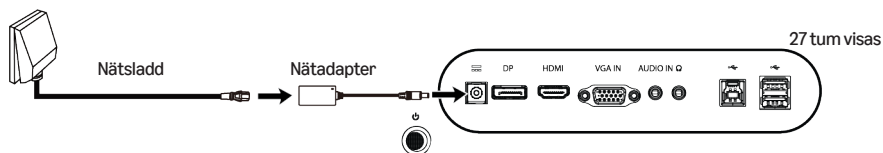


27 tum visas

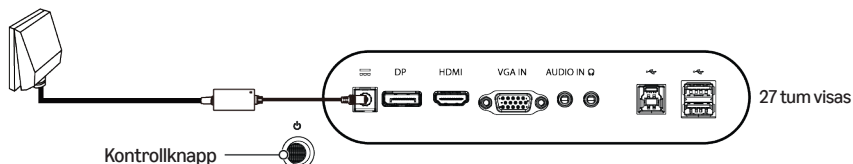
Använda bildskärmen


Strömförsörjning av bildskärmen

1. **Endast modellen på 27 tum:** Anslut nätsladden till nätadaptern.
2. Anslut nätadaptern från bildskärmens strömuttag till ett eluttag.



3. För att slå på bildskärmen ska du trycka kort på  kontrollknappen.

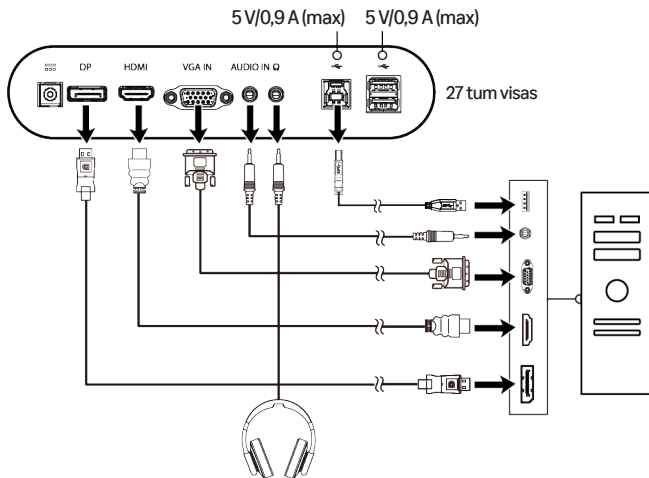


4. För att stänga av bildskärmen ska du trycka på och hålla ned  kontrollknappen.

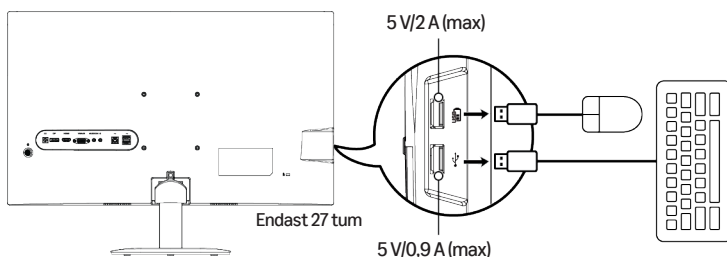
Ansluta till en dator

1. Stäng av datorn och bildskärmen och dra sedan ur nätsladdarna.
2. Välj en anslutningstyp:
 - ▶ **DisplayPort** (bästa kvalitet): Anslut en DisplayPort-kabel (medföljer ej) från bildskärmens **DP**-port till din dator.
 - ▶ **HDMI** (bättre kvalitet): Anslut en HDMI-kabel (medföljer ej) från bildskärmens **HDMI**-port till din dator.
 - ▶ **VGA** (bra kvalitet): Anslut en VGA-kabel (medföljer ej) från bildskärmens **VGA IN**-port till din dator.
3. Om du anslutit med VGA ska du ansluta en 3,5 mm AUX-kabel från bildskärmens **AUDIO IN**-uttag till din dator.

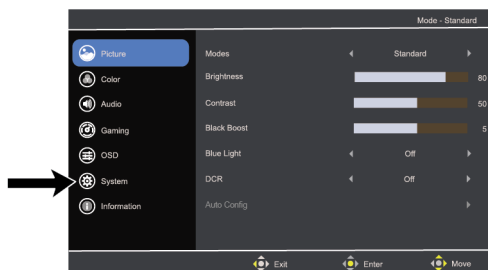
Obs! DisplayPort och HDMI överför ljudsignaler. VGA kräver den här extra anslutningen.



4. **Endast 27 tum bildskärm:** Anslut en USB- eller USB typ-B-kabel från bildskärmen till en skrivare, ett tangentbord, en mus eller annan kringutrustning. USB-enheter laddas medan bildskärmen är påslagen. Laddningen stoppas när bildskärmen är avstängd.



5. Anslut datorns och bildskärmens nätsladdar igen.
6. Slå på bildskärmen och datorn. Bildskärmen bör automatiskt växla till rätt källa. Vid behov kan du välja ingångskälla genom att gå till **System > Ingång** på bildskärmens meny. Se Använda kontrollknappen på sida "Använda kontrollknappen" on page 96 för mer information.



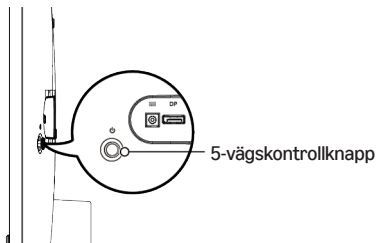
Installera ett kabellås

Bildskärmen kan låsas fast vid ett fast föremål med ett kabellås (medföljer ej).

Använda kontrollknappen

Använd 5-vägs kontrollknappen för att navigera på bildskärmens huvudmeny:

- ▶ **Kort tryck:** Slå på bildskärmen eller öppna menyn när bildskärmen är påslagen.
- ▶ **Långt tryck:** Stäng av bildskärmen
- ▶ **Upp/ned/vänster/höger:** Tryck för att öppna menyn och använd sedan riktningspilarna för att justera inställningarna. När du är klar trycker du åt vänster för att gå tillbaka en nivå tills menyn är stängd.



Justera inställningarna

Tryck kort eller tryck på kontrollknappen uppåt, nedåt, åt vänster eller åt höger för att öppna huvudmenyn. Använd alternativen i följande menyer: Bild, Färg, Ljud, Spel, OSD (On-Screen Display), System och Information för att justera dina bildskärmsinställningar.

När du är klar ska du trycka på kontrollknappen åt vänster flera gånger för att gå ur huvudmenyn. Se Använda kontrollknappen för mer information om hur du navigerar i menyn.

Bild

- ▶ **Lägen:** Optimerar bildkvaliteten för allmänt innehåll. Välj mellan Action, Tävling, Sport, Användare, Standard, ECO, Grafik eller Film.
- ▶ **Ljusstyrka:** Justerar balansen mellan ljusa och mörka nyanser. Välj en inställning från 0 (mörkast) till 100 (ljusast).
- ▶ **Kontrast:** Justerar graden av skillnad mellan ljusa och mörka områden. Välj en inställning från 0 (minst kontrast) till 100 (mest kontrast).
- ▶ **Svart boost:** Ökar amplituden av de mörka färgnivåerna på skärmen, vilket gör svart mindre svart. Ju högre nivå, desto högre förstärkning.
- ▶ **Blått ljus:** När funktionen är aktiverad filtreras blått ljus bort genom att justera förhållandet av blått ljus som visas.
- ▶ **DCR (dynamiskt kontrastförhållande):** Justerar bakgrundsbelysningen baserat på vad som visas på skärmen.
- ▶ **Autokonfiguration** (endast VGA-läge): Justerar bilden automatiskt.
- ▶ **H. Position** (endast VGA-läge): Justerar det horisontella läget från 0 till 100.
- ▶ **V. Position** (endast VGA-läge): Justerar det vertikala läget från 0 till 100.
- ▶ **Klocka** (endast VGA-läge): Justerar fokus från 0 till 100.
- ▶ **Fokus** (endast VGA-läge): Justerar klockan från 0 till 100.

Color (Färg)

- ▶ **Gamma:** Justerar luminanstonen. Standardvärdet är 2,2 (standardvärde för Windows).
- ▶ **Färgtemperatrur:** Ändrar färgtemperaturen. Välj mellan Varm, Normal, Kall eller Användare. Standardinställningen är Varm.

Ljud

- ▶ **Volym:** Justerar volymen.
- ▶ **Dämpa:** Slår på eller stänger av ljudet.

Gaming

- ▶ **OverDrive:** Förhindrar suddighet i snabbt rörliga bilder. Välj mellan Av, Normal eller Extrem.
- ▶ **Adaptive-Sync:** När funktionen är aktiverad eliminerar skärmrivning och hackande. Standardinställningen är På.
- ▶ **Uppdateringsantal:** Visar bildskärmens aktuella uppdateringsfrekvens.

OSD (On-Screen Display)

- ▶ **Språk:** Ställer in OSD-menuspråket. Välj mellan English/Русский/Deutsch/Français/Español/Italiano/Hollands/Finnish/Turkish/Polish/Portuguese/Brazilian Portuguese/繁體中文 (Traditional Chinese)/简体中文 (Simplified Chinese)/日本語 (Japanese)/한국어/عَرَبِيّ / Svenska
- ▶ **OSD-timeout:** Justerar fördröjningen innan OSD-menyn stängs.
- ▶ **Ljusbild:** Justerar transparensen för OSD-menyn.

System

- ▶ **Ingång:** Väljer källan från en tillgänglig ingångskälla.
- ▶ **Automatisk källa:** Söker automatiskt efter tillgängliga ingångskällor.
- ▶ **Brett läge:** Väljer skärmens bildförhållande.
- ▶ **DDC/CI:** Gör att du kan konfigurera bildskärmsinställningar via programvara på datorn.

Information

- ▶ Visar grundläggande information om enheten.
- ▶ **Återställ alla inställningar:** Återställer alla inställningar till fabriksinställningarna.

Rengöring och underhåll

Så här rengör du bildskärmen:

1. Stäng av bildskärmen och koppla ur nätadaptern.
2. Spraya en rengöringslösning utan lösningsmedel på en mjuk trasa och torka försiktigt av skärmen.

⚠ VARNING

- ▶ Spraya inte och håll inte vätska direkt på skärmen eller dess ram.
- ▶ Använd inga rengöringsmedel som innehåller ammoniak eller alkohol på bildskärmens skärm eller ram.

Felsökning

Problem	Lösningar
Ingen bild (lysdioden lyser)	<ul style="list-style-type: none"> ▶ Kontrollera att datorn är påslagen. ▶ Kontrollera att kabeln (DisplayPort, HDMI eller VGA) är korrekt och säkert ansluten till bildskärmen och till datorn. ▶ Kontrollera att kabeln inte är skadad. Öppna menyn för att öka inställningarna för ljusstyrka och kontrast eller återställ bildskärmen till standardinställningarna. ▶ Kontrollera att du har valt rätt ingångskälla. Gå System > Ingång på menyn.
Ingen bild (lysdioden är släckt)	<ul style="list-style-type: none"> ▶ Kontrollera att nätsladden är ansluten och strömsatt. ▶ Tryck och håll ned kontrollknappen för att slå på bildskärmen.
Onormal bild	<ul style="list-style-type: none"> ▶ Olika ingångskällor kan ha olika bildförhållanden. Försök att justera bildförhållandet på menyn.
Färgerna som visas är onormala	<ul style="list-style-type: none"> ▶ Kontrollera kabelanslutningen (DisplayPort, HDMI eller VGA) för att säkerställa att anslutningen är säker. ▶ Kontrollera att kabeln (DisplayPort, HDMI eller VGA) inte är skadad eller har några böjda stift. ▶ Prova med en annan kabel. ▶ Justera bildens läge eller färgtemperatur för att ändra skärmens färg.

Problem	Lösningar
Inget ljud eller ljudet är för lågt	<ul style="list-style-type: none"> ▶ Kontrollera att en ljudkabel är ansluten. DisplayPort- och HDMI-kablar överför ljud och VGA-kablar kräver ytterligare 3,5 mm AUX-anslutning. ▶ Säkerställ att bildskärmens högtalare inte är avstängda. ▶ Höj volymen på datorn.
Uppdateringsfrekvensen når inte 100 Hz	<ul style="list-style-type: none"> ▶ Se till att datorporten har stöd för FHD (Full High Definition) vid 100 Hz. Besök tillverkarens webbplats för mer information. ▶ Se till att datorns grafik kort har stöd för utmatning vid 100 Hz och att drivrutinerna är uppdaterade. Besök tillverkarens webbplats för att ladda ned och installera de senaste drivrutinerna. ▶ Kontrollera att du har anslutit en kabel som har stöd för 100 Hz (t.ex. en DisplayPort- eller HDMI 1.4-kabel). ▶ Öppna datorns avancerade skärminställningar och ställ in uppdateringsfrekvensen till 100 Hz.
Bildskärmsstativet är ostadigt	<ul style="list-style-type: none"> ▶ Se till att stödarmen och stödbasen är korrekt inriktade. Läs "Montera bildskärmens fot" on page 94 för mer information.
Jag vet inte hur man styr skärmmenyn eller slår på/av strömmen	<ul style="list-style-type: none"> ▶ Se till att du använder kontrollknappen på bildskärmens baksida för att slå på/stänga av bildskärmen. ▶ Använd den här knappen för att styra skärmvisningen. Läs "Använda kontrollknappen" on page 96 för mer information.

Specifikationer

24 tum bildskärm

Inkluderar B0CP7QLM3G/B0CP7S6TLR/B0CP7TRZWR/B0CP91ZJF9

Drivsystem	TFT LCD-färgskärm
Synlig bildstorlek	23,8 tum B (60 cm)
Pixelavstånd	0,2745 mm (H) x 0,2745 mm (V)
Svarstid	5 ms GTG
Horisontellt skanningsintervall	VGA: 30–85 kHz HDMI: 30–120 kHz DisplayPort: 30–120 kHz
Vertikalt skanningsintervall	VGA: 48–75 Hz HDMI: 48–100 Hz DisplayPort: 48–100 Hz
Skanningsstorlek (max)	Horisontell: 527 mm Vertikal: 296 mm
Visningsfärger	16,7 miljoner färger
Max upplösning	1920 x 1080 @75 Hz (VGA) 1920 x 1080 @100 Hz (HDMI/DP)
Plug & Play	VESA DDCI/DDC2B
Strömförbrukning	På-läge: 18 W (typiskt) Standbyläge: ≤ 0,5 W Av-läge: ≤ 0,3 W

Anslutningstyper	HDMI 1.4 x 1 VGA (D-Sub) x 1 DP 1,2 x 1 3,5 mm uttag för ingående ljud 3,5 mm uttag för utgående ljud (hörlursutgång)
Video	D-Sub-gränssnitt HDMI-gränssnitt DP-gränssnitt
Strömkälla	Ingång: 100-240 V~ 50/60 Hz
Miljöförhållanden	Driftstemperatur: 0 °C till 40 °C (32 °F till 104 °F) Förvaringstemperatur: -20 °C till 60 °C (-4 °F till 140 °F) Driftfuktighet: 20 % till 80 %
VESA-mönster	100 x 100 mm

Obs! Uppgifterna om strömförbrukning baseras på ErP-standardens testförhållanden.

27 tum bildskärm


Inkluderar B0CP7R6KDQ/B0CP7Q9P14/B0CP7RZRMD/B0CP928BL3

Drivsystem	TFT LCD-färgskärm
Synlig bildstorlek	27 tum B (69 cm)
Pixelavstånd	0,3114 mm (H) x 0,3114 mm (V)
Svarstid	5 ms GTG
Horisontellt skanningsintervall	VGA: 30-85 kHz HDMI: 30-120 kHz DisplayPort: 30-120 kHz
Vertikalt skanningsintervall	VGA: 48-75 Hz HDMI: 48-100 Hz DisplayPort: 48-100 Hz
Skanningsstorlek (max)	Horisontell: 598 mm Vertikal: 336 mm
Visningsfärger	16,7 miljoner färger
Max upplösning	1920 x 1080 @75 Hz (VGA) 1920 x 1080 @100 Hz (HDMI/DP)
Plug & Play	VESA DDCCI/DCC2B
Strömförbrukning	På-läge: 21 W (typiskt) Standbyläge: ≤ 0,5 W Av-läge: ≤ 0,3 W
Anslutningstyper	HDMI 1.4 x 1 VGA (D-Sub) x 1 DP 1.2 x 1 USB Typ-A (USB 3.2 Gen 1x3, USB 3.2 snabbbladdare x1) USB Typ-B (USB uppströms x 1) 3,5 mm uttag för ingående ljud 3,5 mm uttag för utgående ljud (hörlursutgång)
Video	D-Sub-gränssnitt HDMI-gränssnitt DP-gränssnitt

Strömökälla	Ingång: 100-240 V~ 50/60 Hz
Miljöförhållanden	Driftstemperatur: 0 °C till 40 °C (32 °F till 104 °F) Förvaringstemperatur: -20 °C till 60 °C (-4 °F till 140 °F) Driftfuktighet: 20 % till 80 %
VESA-mönster	100 x 100 mm

Obs! Uppgifterna om strömförbrukning baseras på ErP-standardens testförhållanden.

Avfallshantering (endast för Europa)

 WEEE-direktivet (Avfall från elektrisk och elektronisk utrustning) syftar till att minimera elektriska och elektroniska produkters påverkan på miljön och människors hälsa genom att öka återanvändning och återvinning samt minska mängden elektriska och elektroniska produkter som deponeras. Symbolen på den här produkten, eller dess förpackning, innebär att produkten måste kasseras separat från vanligt hushållsavfall när den blivit obrukbar. Kom ihåg att det är ditt ansvar att kassera elektronisk utrustning på en återvinningscentral för att värna om naturresurser. Varje land har samlingscentraler för återvinning av elektrisk och elektronisk utrustning. Kontakta kommunen om du vill ha information om närmaste återvinningscentral.

Varumärke

HDMI™ Termerna HDMI, HDMI High-Definition Multimedia Interface och HDMI-logotypen är varumärken eller registrerade varumärken som tillhör HDMI Licensing Administrator, Inc.

Återkoppling och hjälp

Vi vill gärna höra dina åsikter. Lämna gärna betyg och omdömen när du handlar från oss. Om du behöver hjälp med en produkt du har köpt loggar du in på ditt konto och går till sidan Kundtjänst.

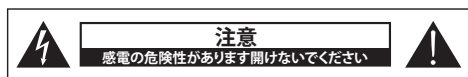
目次

安全に関する注意事項	103
パッケージ内容	104
各部の名称	104
モニターの設定アップ	106
モニターの使用	107
清掃とメンテナンス	110
トラブルシューティング	111
仕様	112
商標	113
フィードバックとサポート	113

安全に関する注意事項

以下の説明書をよくお読みになり、以降も参照できるよう、大切に保管してください。

1. モニターに付属されている電源アダプターのみをお使いください。他の製品の電源アダプターはお使いにならないでください。
2. モニターを窓の近くに置かないでください。雨、湿気または直射日光にさらされると、モニターに深刻な損傷が生じる可能性があります。
3. モニター裏面の換気開口部を新聞、テーブルクロスまたはカーテンなどの物で覆わないでください。
4. LCD画面を押さないでください。過度に強く押すと、ディスプレイに永久的な損傷が生じる可能性があります。
5. ケースを外したり、自分自身で機器を修理しようとししないでください。メンテナンス作業はすべて認定の技師に依頼してください。
6. モニターは温度が-20~60 °C (-4~140 °F)の部屋に保管してください。この温度外で保管すると、モニターに永久的な損傷が生じるおそれがあります。
7. 以下の場合、すぐにモニターの電源アダプタを抜いて認定技師にご連絡ください。
 - a. モニターとコンピュータのシグナルケーブルに破損または損傷が見られる場合。
 - b. モニターに液漏れが見られる、またはモニターが雨にさらされている場合。
 - c. モニタまたはケースが破損している場合。
8. この機器装置は、子どもがいるような場所での使用には適していません。
9. 本説明書をお読みの上、機器装置の正確で安全な設置を徹底してください。
10. 電気プラグ/電源接続器は遮断装置として使用されます。遮断装置はすぐに操作可能な状態にしておいてください。
11. 本モニターは、定格ラベルに表示されている種類の電源を使用して操作する必要があります。利用できる電源の種類について不明な場合は、代理店または地域の電力会社にお問い合わせください。
12. モニターの電源アダプターにアース付きプラグがある場合、アース付きコンセントで使用してください。
13. 本モニターは、湿気のない屋内での使用のみを目的としています。



警告 窒息の危険性あり! 梱包材は、子どもやペットが近づけない場所に保管してください。これらの材料は、(窒息など) 危険の原因になる可能性があります。

安全にお楽しみいただくには

考えられる聴覚損傷を回避するには:

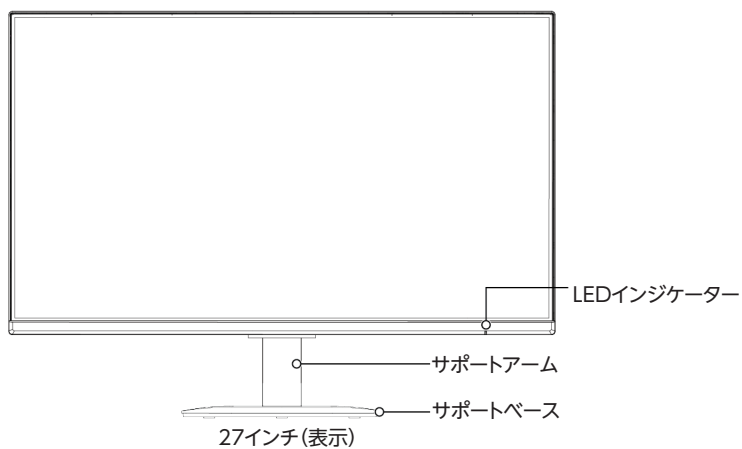
- ▶ 長時間にわたって大音量で聴かないでください。
- ▶ 音量を上げるには、一度に非常に高い音量に切り替えるのではなく、少しずつ上げてください。
- ▶ ひずみがなくクリアで快適に聴けるよう音量が調整されている際には、さらに音量を上げないでください。

パッケージ内容

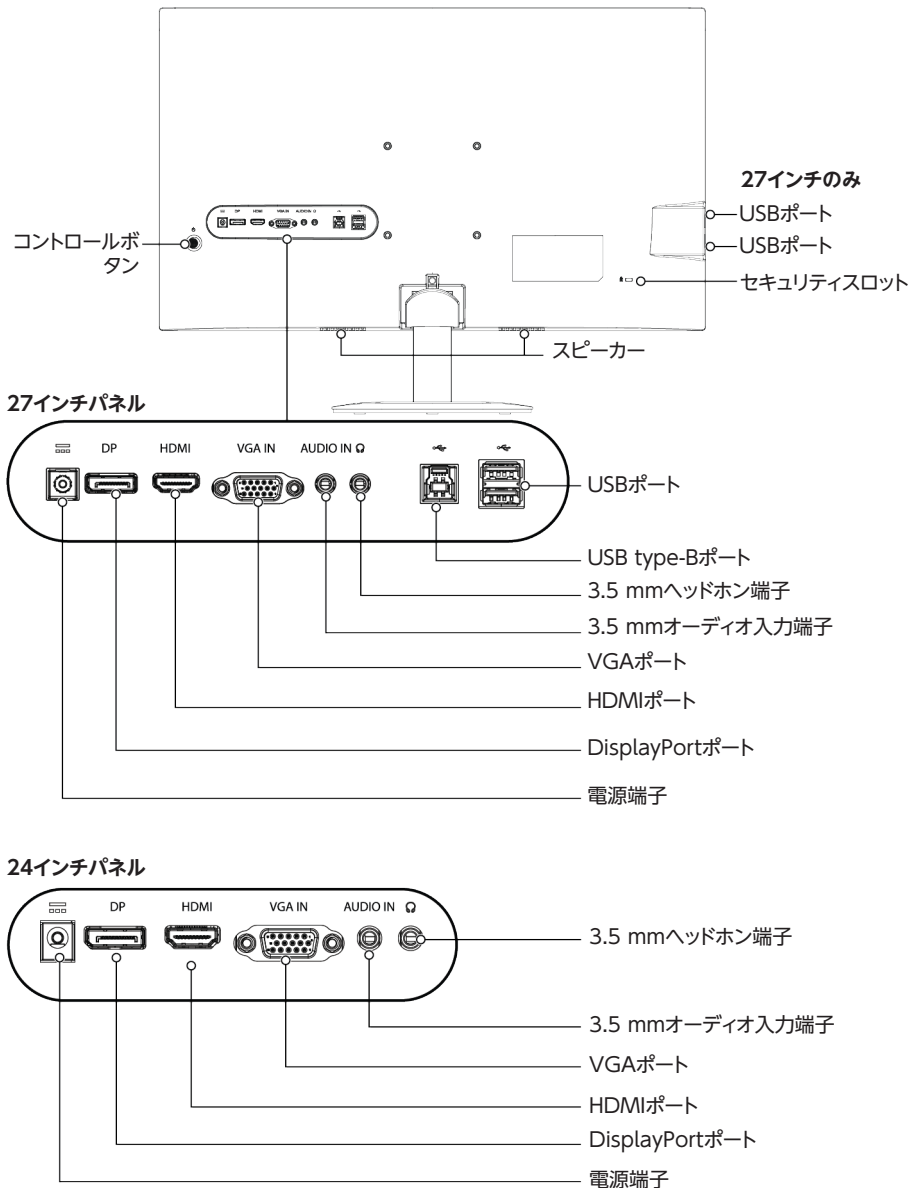
- ▶ モニター
- ▶ サポートアーム
- ▶ サポートベース
- ▶ クイックセットアップガイド
- ▶ 電源アダプター
- ▶ 電源コード(27インチモデルのみ)
- ▶ HDMIケーブル

各部の名称

24および27インチモニター - 前面



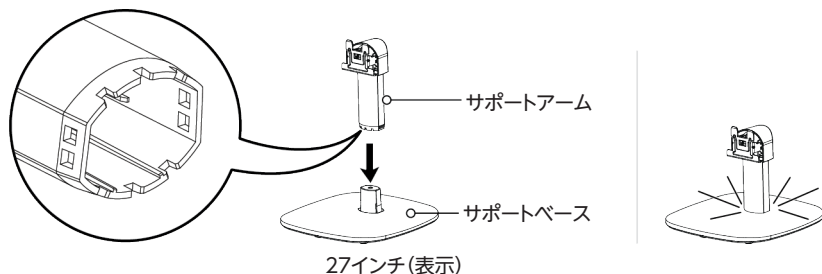
24および27インチモニター - 背面



モニターのセットアップ

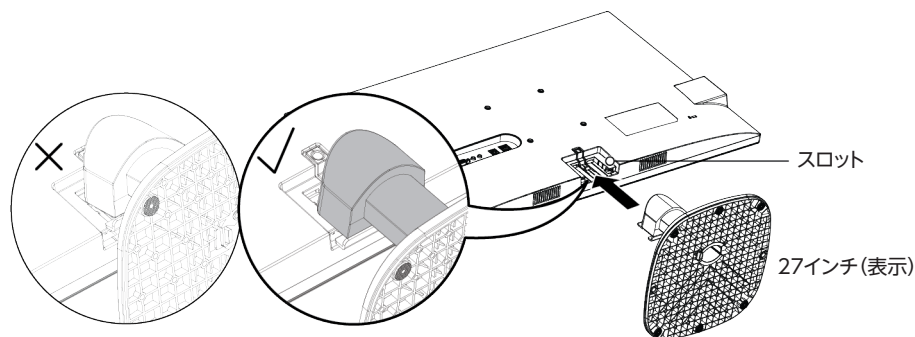
モニターベースへの取り付け

1. モニターの表側が下になるよう慎重に柔らかい表面に置き、傷が付かないようにしてください。
2. サポートアームをサポートベースに押し込んでください。サポートアームとベースが正しく接続されると、カチッという音がします。



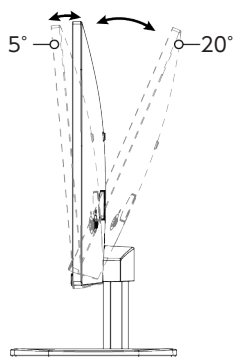
3. サポートアームの一番上をモニターの裏側のスロットにスライドさせてください。サポートアームが適切に接続されたらカチッと音がします。

注: ベースをモニターに取り付ける際は、図のように水平に挿入し、カチッという音がするまで押し込んでください。水平に挿入されていないと、ベースでモニターが固定されません。



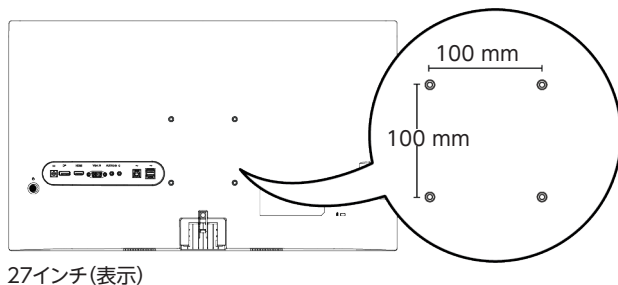
視野角の調整

モニターを調整する際は、スクリーンに触れないようにし、スタンドを固定させて落下を防いでください。モニターは前に最大5°、または後ろに最大20°まで傾きます。



壁面取付キットを使った設置

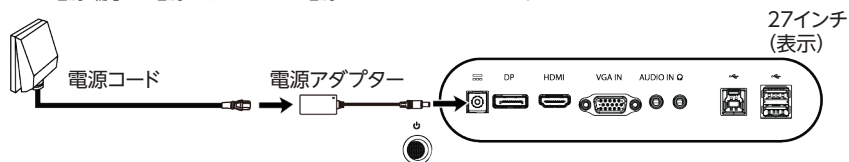
100 × 100 mmの穴パターンに対応し、M4 × 10 mm スクリュー4本付きのVESA取付キット(同梱されていません)を使用して、モニターをマウントに固定してください。



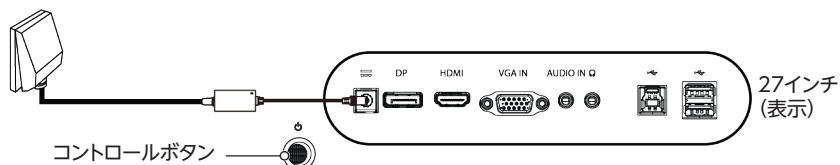
モニターの使用

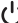
モニターの入電

1. 27インチモデルのみ:電源コードを電源アダプターにつなぎます。
2. モニターの電源端子の電源アダプターを電源コンセントにつなぎます。



3. モニターの電源を入れるには、短く  コントロールボタンを押します。

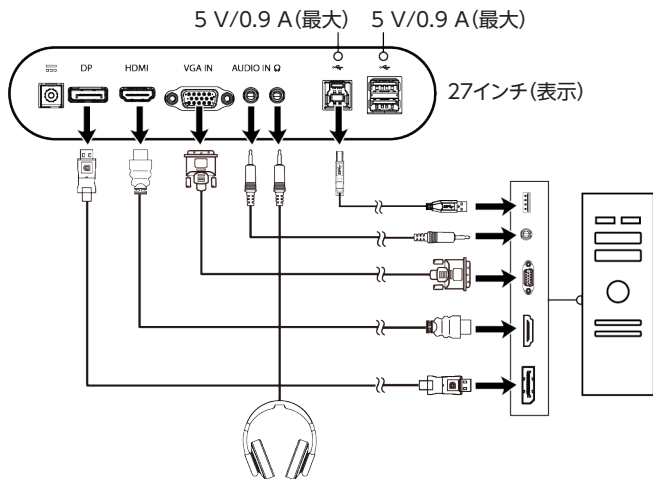


4. モニターの電源を切るには、 コントロールボタンを長押しします。

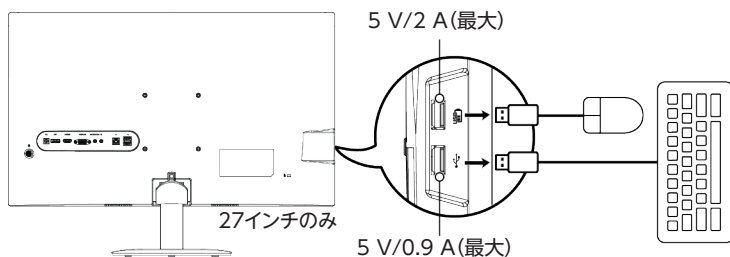
コンピュータとの接続

1. コンピュータとモニターの電源を切ってから、電源コードを抜きます。
2. 接続のタイプを選びます:
 - ▶ **DisplayPort** (最高品質): モニターのDPポートのDisplayPortケーブル(同梱されていません)をコンピュータにつなぎます。
 - ▶ **HDMI** (高品質): モニターのHDMIポートのHDMIケーブル(同梱)をコンピュータにつなぎます。
 - ▶ **VGA** (良品質): モニターのVGA INポートからVGAケーブル(同梱されていません)をコンピュータにつなぎます。
3. VGAを使用する場合、モニターのオーディオ入力端子から3.5 mm AUXケーブルをコンピュータにつなぎます。

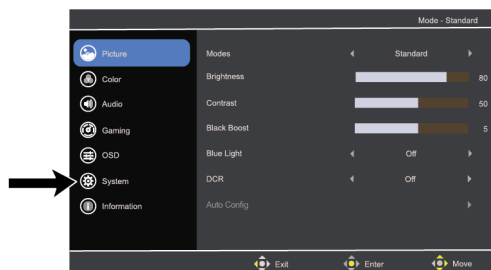
注記: DisplayPortとHDMIはオーディオ信号を伝達します。VGAにはこの付加的な接続が必要です。



4. **27インチモニターのみ:**モニターのUSBまたはUSB type-Bケーブルをプリンタ、キーボード、マウス、その他の周辺機器につなぎます。USBデバイスは、モニターの電源がオンになっている間、充電できます。モニターの電源がオフになったら、充電は停止します。



5. コンピュータとモニターの電源コードをもう一度つなぎます。
6. モニターとコンピュータの電源を入れます。モニターは、自動で正しいソースに切り替わるはずですが、必要に応じ、モニターのメニューの**システム** > **入力端子**で入力ソースを選択します。詳しくはページ109の「コントロールボタンの使用」10ページ目を参照してください。



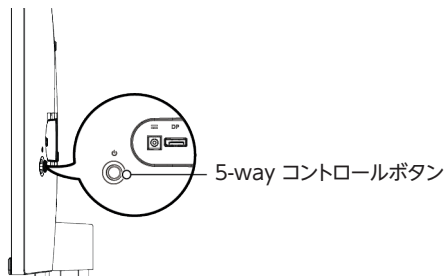
ケーブルロックの取り付け

モニターは、ケーブルロック(同梱されていません)で固定した物体に取り付け可能です。

コントロールボタンの使用

5-wayコントロールボタンを使用してモニターのメインメニューにアクセスします。

- ▶ **短押し:**モニターの電源を入れるか、モニターの電源が入っているときにメニューを開きます。
- ▶ **長押し:**モニターの電源を切る
- ▶ **上/下/左/右:**押してメニューを開いてから、案内用の矢印を使用して設定を調整します。終わったら、左を押して、メニューが閉じられるまでのレベルに戻ります。



設定の調節

上下左右にコントロールボタンを短く押し下げるか、押してメインメニューを開きます。以下の画質調整、カラー、オーディオ、ゲーミング、OSD、システム、製品情報メニューのオプションを使用してモニターの設定を調整します。

終わったら、もう一度コントロールボタンを押して、メインメニューを閉じます。メニューのナビゲーションについての詳細は、「コントロールボタンの使用(Using the Control Button)」を確認してください。

画質調整

- ▶ **モード:**コンテンツ全般の画質を最適化します。アクション、レース、スポーツ、ユーザー、標準、エコ、グラフィック、またはムービーから選択します。
- ▶ **輝度:**色調のバランスを調節します。0(最も暗い)~100(一番明るい)で設定を選択します。
- ▶ **コントラスト:**明るい色の値と暗い色の値の差を調整します。0(コントラストが最も弱い)~100(コントラストが最も強い)で設定を選択します。
- ▶ **ブラックブースト:**ディスプレイの暗いカラーレベルの振幅を強化し、ブラックの強度を弱めます。レベルが高いほど、ブーストは強くなります。
- ▶ **ブルーライト:**オンになっていると、表示されているブルーライトの比率を調節することでブルーライトを除去します。
- ▶ **DCR (ダイナミックコントラスト比):**画面に表示されている内容に基づいてバックライトを調節します。
- ▶ **自動調整(VGA モードのみ):**自動で画像を調節します。
- ▶ **水平位置(VGA モードのみ):**水平位置を0~100で調節します。
- ▶ **垂直位置(VGA モードのみ):**垂直位置を0~100で調節します。
- ▶ **フェーズ(VGA モードのみ):**フェーズを0~100で調節します。
- ▶ **クロック(VGA モードのみ):**クロックを0~100で調節します。

カラー

- ▶ **ガンマ:**輝度のトーンを調節します。デフォルト値は2.2(Windows 標準値)です。
- ▶ **色温度:**色温度を変更します。暖色、ノーマル、寒色、またはユーザーから選択します。デフォルトは暖色です。

オーディオ

- ▶ **音量:**音量を調節します。
- ▶ **消音:**サウンドのオンとオフを切り替えます。

ゲーミング

- ▶ **反応速度表示:**動きの速いイメージでの被写体ぶれを防ぎます。オフ、ノーマル、または極度から選択します。
- ▶ **Adaptive-Sync:**オンになっていると、ティアリングやスタッタリングを排除します。デフォルトはオンです。
- ▶ **リフレッシュレート数:**画面の現在のリフレッシュレートを表示します。

OSD(オンスクリーンディスプレイ)

- ▶ **言語:**OSD メニュー言語を設定します。English / Русский / Deutsch / Français / Español / Italiano / Hollands / Finnish / Turkish / Polish / Portuguese / Brazilian Portuguese / 繁體中文 (Traditional Chinese) / 简体中文 (Simplified Chinese) / 日本語 (Japanese) / 한국어から選択します/عَرَبِيّ / Svenska
- ▶ **OSD 表示時間設定:**OSD メニューを閉じる前にディレイを調節します。
- ▶ **透明度:**OSD メニューの透明度を調節します。

システム

- ▶ **入力:**利用可能な入力ソースからソースを選択します。
- ▶ **入力信号自動検出:**自動で利用可能な入力ソースを検索します。
- ▶ **表示モード:**画面のアスペクト比を選択します。
- ▶ **DDC/CI:**コンピュータのソフトウェアを介してモニター設定を行います。

製品情報

- ▶ **機器の基本情報**を表示します。
- ▶ **すべての設定をリセット:**すべての設定を工場出荷時にリセットします。

清掃とメンテナンス

モニターの画面のクリーニング:

1. モニターの電源を切って電源アダプターのプラグを抜きます。
2. 柔らかい布に無溶媒のクリーニング液を噴霧して画面をやさしく拭き取ります。

⚠ 注意

- ▶ 液体を画面やベゼルに直接噴霧しないでください。
- ▶ モニターの画面またはベゼルにはアンモニアやアルコールベースのクリーナーは使用しないでください。

トラブルシューティング

問題	解決策
画像なし(LEDオン)	<ul style="list-style-type: none"> ▶ 必ずコンピュータの電源が入っているようにしてください。 ▶ ケーブル(DisplayPort、HDMI、VGA)が正しく、そしてしっかりとモニターやコンピュータに接続されているようにしてください。 ▶ ケーブルに損傷がないか確認してください。メニューを開き、輝度とコントラストの設定を変更するか、モニターをデフォルトの設定にリセットしてください。 ▶ 正しい入力ソースが選択されていることを確認してください。メニューから、システム > 入力端子、を選択します。
画像なし(LEDオフ)	<ul style="list-style-type: none"> ▶ 電源コードが接続され、電気が流れていることを確認してください。 ▶ コントロールボタンを長押ししてモニターの電源を入れます。
異常な画像	<ul style="list-style-type: none"> ▶ 入力ソースによってアスペクト比は異なります。メニューでアスペクト比を調整してみてください。
カラー表示に異常あり	<ul style="list-style-type: none"> ▶ ケーブル接続(DisplayPort、HDMI、VGA)をチェックして、接続がセキュアな状態であることを確認してください。 ▶ ケーブル(DisplayPort、HDMI、VGA)に損傷がないか、またはピンが曲がっていないか確認してください。 ▶ 別のケーブルを試してください。 ▶ 画像のモードまたは色温度を調節して、ディスプレイの色を変更してください。
音が出ない、または音量が小さすぎる	<ul style="list-style-type: none"> ▶ オーディオケーブルがつながれているか確認してください。DisplayPort と HDMI ケーブルはオーディオに伝達し、VGA ケーブルには追加の3.5mm AUX 接続が必要です。 ▶ モニターのスピーカーが消音になっていないか確認してください。 ▶ コンピュータの音量を上げてください。
リフレッシュレートが100 Hzに達しない場合	<ul style="list-style-type: none"> ▶ お使いのコンピュータのポートが100 HzのFHD(フルハイビジョン)をサポートしていることを確認してください。詳細については、製造元のウェブサイト参照してください。 ▶ コンピューターのグラフィックカードが100 Hz出力をサポートしていること、およびドライバーが最新であることを確認してください。製造元のウェブサイトアクセスして、最新のドライバーをダウンロードしてインストールしてください。 ▶ 100 Hzをサポートするケーブル(ディスプレイポートやHDMI 1.4ケーブルなど)を接続していることを確認します。 ▶ コンピューターの詳細ディスプレイ設定を開き、リフレッシュレートを100 Hzに設定します。
モニタースタンドが不安定である場合	<ul style="list-style-type: none"> ▶ サポートアームとサポートベースが正しく配置されていることを確認します。詳細については、ページ106の「モニターベースへの取り付け」を参照してください。
オンスクリーンディスプレイと電源のオン/オフを制御する方法がわからない場合	<ul style="list-style-type: none"> ▶ モニターの電源をオン/オフするには、必ずモニターの背面にあるコントロールボタンを使用してください。 ▶ このボタンを使用して、画面上の表示を制御します。詳細については、ページ109の「コントロールボタンの使用」を参照してください。

仕様

24インチモニター

(含まれるもの) B0CP7QLM3G/B0CP7S6TLR/B0CP7TRZWR/B0CP91ZJF9

ドライビングシステム	TFTカラーLCD
表示可能な画像サイズ	23.8インチW (60 cm)
ピクセルピッチ	0.2745 mm (H) x 0.2745 mm (V)
応答時間	5ms GTG
水平方向スキャンレンジ	VGA: 30-85 KHz HDMI: 30-120 KHz DisplayPort: 30-120 KHz
垂直方向スキャンレンジ	VGA: 48-75 Hz HDMI: 48-100 Hz DisplayPort: 48-100 Hz
スキャンサイズ(最大)	水平方向: 527 mm 垂直方向: 296 mm
ディスプレイカラー	16.7M 色
最高解像度	1920 x 1080 @75 Hz (VGA) 1920 x 1080 @100 Hz (HDMI/DP)
プラグ&プレイ	VESA DDCCI/DDC2B
電力消費	オンモード: 18 W (通常) スタンバイモード: ≤0.5 W オフモード: ≤0.3 W
コネクタタイプ	HDMI 1.4 x 1 VGA (D-Sub) x 1 DP 1.2 x 1 Audio 3.5 mm 入力端子 Audio 3.5 mm 出力端子 (ヘッドホン出力)
ビデオ	D-Sub インターフェース HDMI インターフェース DP インターフェース
電源	入力: 100-240 V~50/60 Hz
環境条件	動作温度: 0°~40 °C (32~104 °F) ストレージ温度: -20~6 0°C (-4~140 °F) 動作湿度: 20~80%
VESAパターン	100 x 100 mm

注記:電力消費のデータは ErP 標準テスト条件に基づいています。

27インチモニター

(含まれるもの) B0CP7R6KDQ/B0CP7Q9P14/B0CP7RZRMD/B0CP928BL3

ドライビングシステム	TFTカラーLCD
表示可能な画像サイズ	27インチW (69 cm)
ピクセルピッチ	0.3114 mm (H) x 0.3114 mm (V)

応答時間	5ms GTG
水平方向スキャンレンジ	VGA: 30-85 KHz HDMI: 30-120 KHz DisplayPort: 30-120 KHz
垂直方向スキャンレンジ	VGA: 48-75 Hz HDMI: 48-100 Hz DisplayPort: 48-100 Hz
スキャンサイズ(最大)	水平方向: 598 mm 垂直方向: 336 mm
ディスプレイカラー	16.7M 色
最高解像度	1920 x 1080 @75 Hz(VGA) 1920 x 1080 @100 Hz(HDMI/DP)
プラグ&プレイ	VESA DDCCI/DDC2B
電力消費	オンモード: 21 W(通常) スタンバイモード: ≤0.5 W オフモード: ≤0.3 W
コネクタタイプ	HDMI 1.4 x 1 VGA(D-Sub) x 1 DP 1.2 x 1 USB type-A(USB 3.2 Gen 1x3、USB 3.2 高速チャージャー x1) USB type-B(USB アップストリーム x1) Audio 3.5 mm 入力端子 Audio 3.5 mm 出力端子(ヘッドホン出力)
ビデオ	D-Sub インターフェース HDMI インターフェース DP インターフェース
電源	入力: 100-240 V~50/60 Hz
環境条件	動作温度: 0°~40 °C(32~104 °F) ストレージ温度: -20~6 0°C(-4~140 °F) 動作湿度: 20~80%
VESAパターン	100 x 100 mm

注記:電力消費のデータは ErP 標準テスト条件に基づいています。

商標

HDMI™ HDMI, HDMI High-Definition Multimedia Interface (HDMI高精細度マルチメディアインターフェース)、およびHDMIロゴは、HDMI Licensing Administrator, Inc. の商標または登録商標です。

フィードバックとサポート

ご意見お待ちしております。注文履歴から評価とレビューにご協力をお願いします。商品についてサポートが必要な場合は、お使いのアカウントにログインし、カスタマーサービス/お問い合わせページからお問い合わせください。

115	إرشادات السلامة
115	محتويات العبوة
116	نظرة عامة على الأجزاء
118	إعداد الشاشة
119	استخدام الشاشة
122	التنظيف والصيانة
122	استكشاف الأخطاء وإصلاحها
123	المواصفات
125	العلامة التجارية
125	التعليقات والمساعدة

إرشادات السلامة

ينبغي قراءة هذه الإرشادات بعناية والاحتفاظ بها للاستعانة بها في المستقبل.

1. يجب أن يقتصر الاستخدام على محول الطاقة المرفق مع الشاشة. ومن الضروري الامتناع عن استخدام محول الطاقة مع المنتجات الأخرى.
2. يجب الامتناع عن وضع الشاشة بالقرب من النافذة، إذ يمكن أن يؤدي التعرض للمطر أو الرطوبة أو أشعة الشمس المباشرة إلى إلحاق أضرار جسيمة بالشاشة.
3. يجب الامتناع عن تغطية فتحات التهوية في الجزء الخلفي من الشاشة بأي أغراض مثل الصحف أو مفارش المائدة أو الستائر.
4. يجب الامتناع عن الضغط على شاشة LCD، فقد يؤدي الضغط المفرط بقوة إلى إلحاق تلف دائم بالشاشة.
5. يجب الامتناع عن إزالة الغلاف أو محاولة إصلاح الجهاز بنفسك، وينبغي أن يتولى فني معتمد تنفيذ جميع مهام الصيانة.
6. ينبغي تخزين الشاشة في غرفة تتراوح درجة حرارتها بين -20 درجة مئوية إلى 60 درجة مئوية (-4 درجة فهرنهايت إلى 140 درجة فهرنهايت)؛ فقد يحدث تلف دائم إذا تم تخزين الشاشة خارج هذا النطاق.
7. يجب فصل محول الطاقة الخاص بالشاشة على الفور والاتصال بفني معتمد في الحالات التالية:
 - أ. كابل الإشارة الموصول بين الشاشة والكمبيوتر متآكل أو تالف.
 - ب. انسكب سائل على الشاشة أو إذا ما تعرضت الشاشة للمطر.
 - ج. الشاشة أو علبتها تالفة.
8. هذا الجهاز غير مناسب للاستخدام في المواقع التي من المحتمل أن يوجد فيها الأطفال.
9. ينبغي قراءة هذه التعليمات لضمان تركيب المعدات وتوصيلها بشكل صحيح وآمن.
10. يتم استخدام وصلة القابس/الجهاز الكهربائي كجهاز فصل. يجب أن يظل جهاز قطع الاتصال قابلاً للتشغيل بسهولة.
11. ينبغي تشغيل هذه الشاشة من نوع الطاقة المشار إليه على ملصق التصنيف. في حالة عدم التأكد من نوع الطاقة المتاحة، فينبغي استشارة الوكيل أو شركة الطاقة المحلية.
12. إذا كان محول الطاقة الخاص بالشاشة يحتوي على قابس مؤرض (متصل بطرف أرضي)، فينبغي استخدامه مع منفذ مؤرض.
13. هذا المنتج مخصص للاستخدام في الأماكن الداخلية الجافة فقط.



تحذير! خطر التعرض للاختناق! ينبغي الاحتفاظ بأي من مواد العبوة بعيداً عن الأطفال والحيوانات الأليفة؛ فهذه المواد تمثل مصدرًا محتملاً للخطر، (مثل التعرض للاختناق).

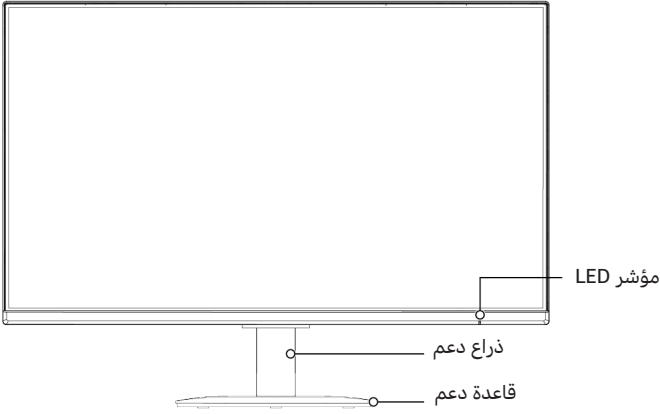
تعليمات الاستماع الآمن

لتجنب تلف السمع المحتمل:

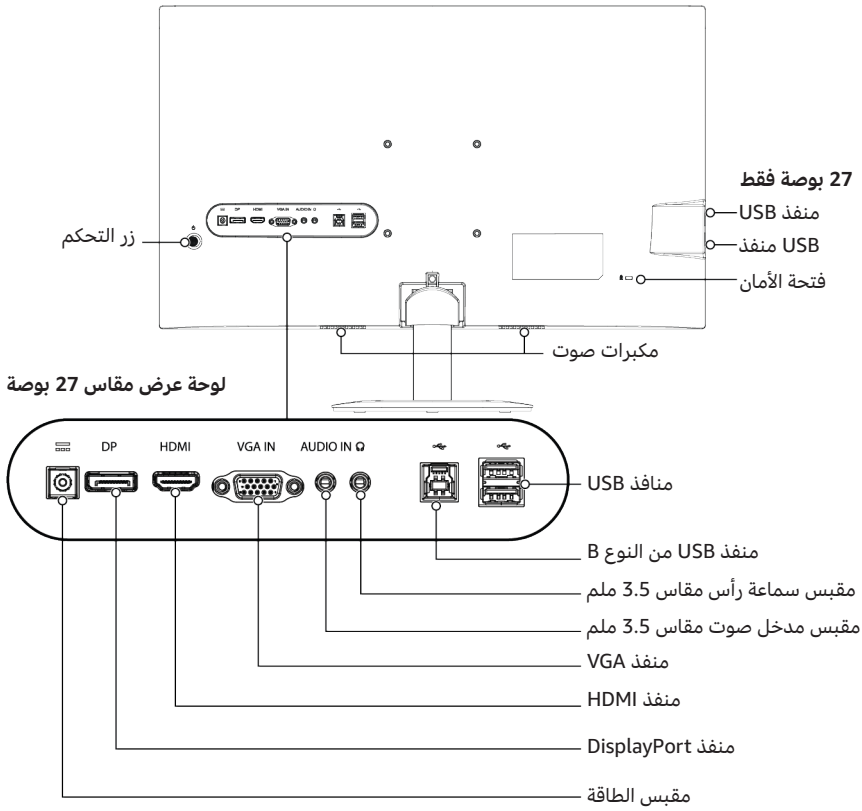
- تجنب الامتناع عن الاستماع بمستويات صوت عالية لفترات طويلة من الزمن.
- ينبغي زيادة مستوى الصوت تدريجيًا، بدلاً من الانتقال المفاجئ إلى مستوى عالٍ جدًا دفعة واحدة.
- يجب الامتناع عن زيادة مستوى الصوت أكثر عند ضبط مستوى الصوت من أجل التمكن من الاستماع بوضوح وراحة دون تشويه للصوت.

محتويات العبوة

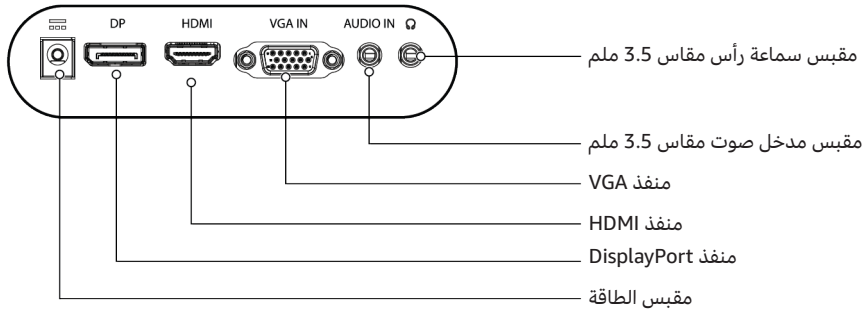
- شاشة
- ذراع دعم
- قاعدة دعم
- دليل الإعداد السريع
- محول طاقة
- سلك الطاقة (طراز 27 بوصة فقط)
- كابل HDMI



الشكل يوضح مقاس 27 بوصة

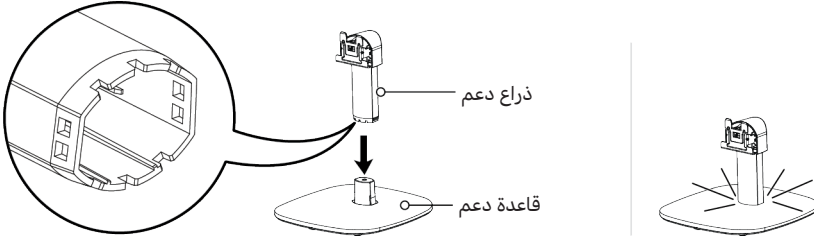


لوحة عرض مقاس 24 بوصة



توصيل قاعدة الشاشة

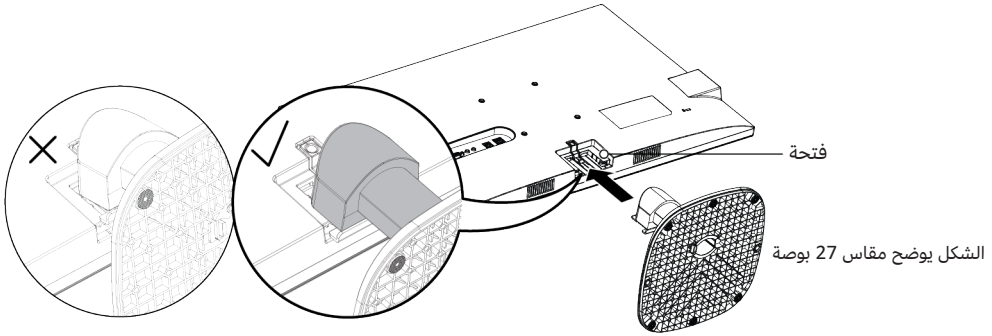
1. تُوضع الشاشة بعناية بحيث تكون متجهة لأسفل على سطح ناعم لمنع تعرضها للخدش.
2. يُدفع ذراع الدعم إلى قاعدة الدعم. سيتم سماع صوت "نقرة" عندما يتم توصيل ذراع الدعم والقاعدة بشكل صحيح.



الشكل يوضح مقياس 27 بوصة

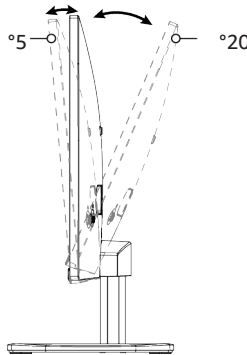
3. ينبغي تمرير الجزء العلوي من ذراع الدعم إلى الفتحة الموجودة في الجزء الخلفي من الشاشة. سوف يصدر صوت "تكة" عندما يتم توصيل ذراع الدعم بشكل صحيح.

ملاحظة: عند تثبيت القاعدة على الشاشة، يجب إدخالها أفقيًا كما هو موضح في الرسم التخطيطي ويجب سماع صوت "النقرة". إذا لم يتم إدخالها أفقيًا، فلن تتمكن القاعدة من إصلاح الشاشة.



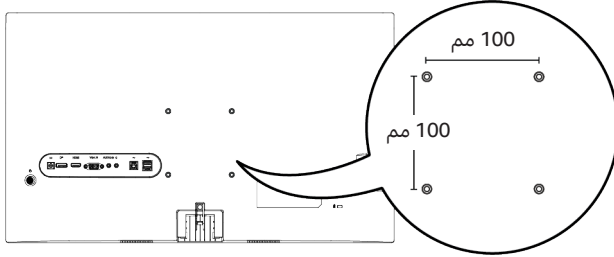
ضبط زاوية المشاهدة

عند ضبط الشاشة، ينبغي تجنب لمس الشاشة وتثبيت الحامل في مكانه لمنع سقوطه. تميل الشاشة للأمام حتى 5 درجات أو للخلف حتى 20 درجة.



التركيب باستخدام مجموعة أدوات التركيب على الحائط

ينبغي استخدام مجموعة تركيب VESA (غير مضمنة) تستوعب نمط ثقب 100×100 مم وتحتوي على أربعة مسامير $M4 \times 10$ مم لتثبيت الشاشة على حامل.



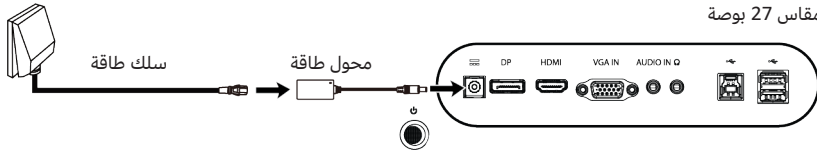
الشكل يوضح مقاس 27 بوصة

استخدام الشاشة

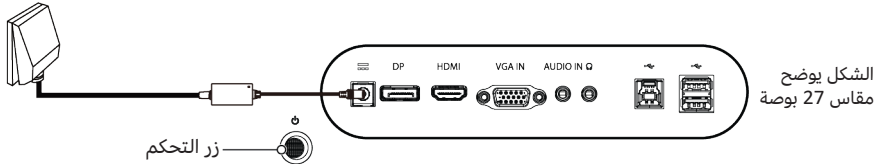
تشغيل الشاشة

1. طراز 27 بوصة فقط: ينبغي توصيل سلك الطاقة بمحول الطاقة.
2. ينبغي توصيل محول الطاقة من مقبس الطاقة الخاص بالشاشة بمنفذ الطاقة.

الشكل يوضح مقاس 27 بوصة



3. لتشغيل الشاشة، يمكن الضغط لفترة وجيزة على زر التحكم.



الشكل يوضح مقاس 27 بوصة

4. لإيقاف تشغيل الشاشة، يتم الضغط مع الاستمرار على زر التحكم.

التوصيل بجهاز كمبيوتر

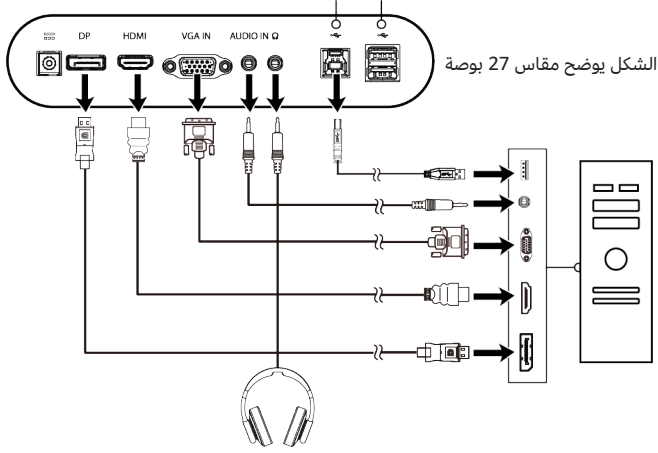
1. ينبغي إيقاف تشغيل الكمبيوتر والشاشة، ثم فصل أسلاك الطاقة الخاصة بهما.

2. ينبغي اختيار نوع التوصيل:

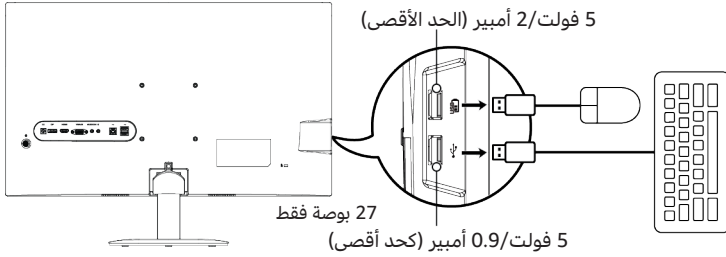
- **DisplayPort** (أفضل جودة): ينبغي توصيل كابل DisplayPort (غير مضمن) من منفذ DP الخاص بالشاشة بجهاز الكمبيوتر الخاص بك.
 - **HDMI** (جودة أفضل): ينبغي توصيل كابل HDMI (مضمن) من منفذ HDMI الخاص بالشاشة إلى جهاز الكمبيوتر الخاص بك.
 - **VGA** (جودة جيدة): ينبغي توصيل كابل VGA (غير مضمن) من منفذ VGA IN الخاص بالشاشة إلى جهاز الكمبيوتر الخاص بك.
3. إذا كنت متصلاً عبر VGA، فينبغي توصيل كابل AUX مقاس 3.5 مم من مقبس AUDIO IN الخاص بالشاشة بجهاز الكمبيوتر الخاص بك.

ملاحظة: يحمل كل من DisplayPort وHDMI إشارات صوتية. تتطلب VGA هذا الاتصال الإضافي.

5 فولت/0.9 أمبير (كحد أقصى) 5 فولت/0.9 أمبير (كحد أقصى)

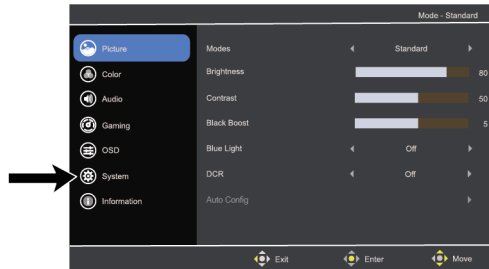


4. شاشة مقاس 27 بوصة فقط: ينبغي توصيل كابل USB أو USB من النوع B من الشاشة إلى الطابعة أو لوحة المفاتيح أو الماوس أو أي جهاز طرفي آخر. يتم شحن أجهزة USB أثناء تشغيل الشاشة. عند إيقاف تشغيل الشاشة، يتوقف الشحن.



5. ينبغي إعادة توصيل أسلاك الطاقة بجهاز الكمبيوتر والشاشة.

6. ينبغي تشغيل الشاشة والكمبيوتر. ينبغي أن تتحول شاشتك إلى المصدر الصحيح تلقائيًا. إذا لزم الأمر، يمكن اختيار مصدر الإدخال بالانتقال إلى النظام < الإدخال في قائمة الشاشة. ينبغي مراجعة "استخدام زر التحكم" في صفحة 121 للاطلاع على مزيد من المعلومات.



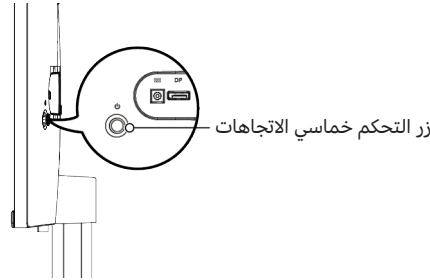
تركيب قفل كابل

يمكن تركيب الشاشة على جسم ثابت بقفل كابل (غير مضمن).

استخدام زر التحكم

ينبغي استخدام زر التحكم خماسي الاتجاهات للتنقل في القائمة الرئيسية للشاشة:

- **الضغط لفترة قصيرة:** تشغيل الشاشة أو فتح القائمة عند تشغيل الشاشة.
- **الضغط لفترة طويلة:** إيقاف تشغيل الشاشة
- **أعلى/أسفل/يسار/يمين:** يتم الضغط على هذا الزر لفتح القائمة، ثم استخدام أسهم الاتجاه لضبط الإعدادات. عند الانتهاء، يتم الضغط على اليسار للعودة إلى المستوى حتى يتم إغلاق القائمة.



ضبط الإعدادات

ينبغي الضغط ضغطة قصيرة أو الضغط على زر التحكم لأعلى أو لأسفل أو لليسار أو لليمين لفتح القائمة الرئيسية. يمكن استخدام الخيارات الموجودة في قوائم الصورة واللون والصوت والألعاب والعرض على الشاشة والنظام والمعلومات التالية لضبط إعدادات الشاشة.

عند الانتهاء، اضغط على زر التحكم الأيسر بشكل متكرر للخروج من القائمة الرئيسية. ينبغي مراجعة "استخدام زر التحكم" للتعرف على مزيد من المعلومات حول التنقل في القائمة.

الصورة

- **الأوضاع:** تعمل على تحسين جودة الصورة للمحتوى العام. يمكن الاختيار بين أوضاع حركة أو سباقات أو رياضة أو المستخدم أو قياسي أو موفر للطاقة أو الرسومات أو أفلام.
- **السطوع:** لضبط التوازن بين الظلال الفاتحة والداكنة. يمكن اختيار إعداد من 0 (الأشد خفوتًا) إلى 100 (الأكثر سطوعًا).
- **التباين:** لضبط درجة الاختلاف بين المناطق الفاتحة والداكنة. يمكن اختيار إعداد من 0 (الأقل تباين) إلى 100 (الأعلى التباين).
- **تعزيز اللون الأسود:** لتعزيز سعة مستويات الألوان الداكنة للشاشة، مما يجعل اللون الأسود أقل سوادًا. وكلما ارتفع المستوى، زاد التعزيز.
- **الضوء الأزرق:** عند تشغيله، يقوم هذا الإعداد بتصفية الضوء الأزرق عن طريق ضبط نسبة الضوء الأزرق المعروض.
- **نسبة التباين الديناميكي (DCR):** لضبط الإضاءة الخلفية بناءً على ما يتم عرضه على الشاشة.
- **التكوين التلقائي (وضع VGA فقط):** لضبط الصورة تلقائيًا.
- **الوضع الأفقي (وضع VGA فقط):** يضبط الوضع الأفقي من 0 إلى 100.
- **الوضع الرأسي (وضع VGA فقط):** يضبط الوضع الرأسي من 0 إلى 100.
- **التركيز (وضع VGA فقط):** يضبط التركيز من 0 إلى 100.
- **الساعة (وضع VGA فقط):** لضبط الساعة من 0 إلى 100.

اللون

- **جاما:** لضبط درجة الإضاءة. القيمة الافتراضية هي 2.2 (القيمة القياسية لـ Windows).
- **درجة الألوان:** تغير درجة الألوان. يمكن الاختيار بين دافن أو عادي أو بارد أو مستخدم. الإعداد الافتراضي هو دافن.

الصوت

- مستوى الصوت: لضبط مستوى الصوت.
- كتم الصوت: لتشغيل الصوت أو إيقاف تشغيله.

الألعاب

- مخزن الملفات: لمنع تشوش الحركة في الصور سريعة الحركة. يمكن الاختيار بين إيقاف التشغيل أو عادي أو شديد.
- Adaptive-Sync: عند تشغيل هذا الوضع، فإنه يزيل هذا التمزق والتقطع. الإعداد الافتراضي هو تشغيل.
- عدد معدل التحديث: لعرض معدل التحديث الحالي للشاشة.

العرض على الشاشة (OSD)

- اللغة: لضبط لغة قائمة OSD. يمكن الاختيار من بين
- مهلة قائمة العرض على الشاشة: لضبط التأخير قبل إيقاف تشغيل قائمة OSD.
- الشفافية: لضبط شفافية قائمة OSD.

النظام

- الإدخال: لتحديد المصدر من مصدر إدخال متاح.
- تحديد المصدر تلقائيًا: للبحث تلقائيًا عن مصادر الإدخال المتاحة.
- الوضع العريض: لتحديد نسبة العرض إلى الارتفاع لشاشتك.
- DDC/CI: يتيح ضبط إعدادات الشاشة من خلال البرامج الموجودة على جهاز الكمبيوتر الخاص بك.

المعلومات

- تعرض المعلومات الأساسية للجهاز.
- إعادة تعيين جميع الإعدادات: لإعادة تعيين جميع الإعدادات إلى إعدادات المصنع الافتراضية.

التنظيف والصيانة

لتنظيف شاشة العرض:

1. ينبغي إيقاف تشغيل الشاشة وفصل محول الطاقة.
2. يُرش محلول التنظيف الخالي من المذيبات على قطعة قماش ناعمة ويتم مسح الشاشة برفق.

⚠ تنبيه

- ينبغي الامتناع عن رش أي سائل أو سكب مباشرة على الشاشة أو إطارها.
- وينبغي الامتناع عن استخدام أي منظفات تحتوي على الأمونيا أو الكحول على شاشة الشاشة أو الإطار.

استكشاف الأخطاء وإصلاحها

المشكلة	الحلول
لا توجد صورة (مؤشر LED مضاء)	<ul style="list-style-type: none"> ● ينبغي التأكد من تشغيل الكمبيوتر. ● ينبغي التأكد من توصيل الكابل (DisplayPort أو HDMI أو VGA) بشكل صحيح وآمن بالشاشة والكمبيوتر. ● ينبغي التأكد من عدم تلف الكابل. يمكن فتح القائمة لزيادة إعدادات السطوع والتباين، أو إعادة ضبط الشاشة إلى الإعدادات الافتراضية. ● يجب التأكد من تحديد المصدر الصحيح. من القائمة، يمكن الانتقال إلى النظام < الإدخال.

<ul style="list-style-type: none"> لا توجد صورة (مؤشر LED منطفئ) ينبغي التأكد من توصيل سلك الطاقة واستقباله. يمكن الضغط مع الاستمرار على زر التحكم لتشغيل الشاشة. 	
<ul style="list-style-type: none"> صورة غير طبيعية قد تحتوي مصادر الإدخال المختلفة على نسب أبعاد مختلفة. يمكن محاولة ضبط نسبة العرض إلى الارتفاع في القائمة. 	
<ul style="list-style-type: none"> شاشة ملونة غير طبيعية ينبغي التحقق من اتصال الكابل (DisplayPort أو HDMI أو VGA) للتأكد من أن الاتصال آمن. ينبغي التأكد من أن الكابل الخاص بك (DisplayPort أو HDMI أو VGA) غير تالف أو لا يحتوي على أي دبائيس منحنية. وينبغي تجربة كابل آخر. يمكن ضبط إعداد الوضع أو درجة حرارة اللون الخاص بالصورة لتغيير لون الشاشة. 	
<ul style="list-style-type: none"> لا يوجد صوت أو صوت خافت جدًا يجب التأكد من توصيل كابل الصوت. تحمل كابلات DisplayPort و HDMI والصوت، وتتطلب كابلات VGA اتصال إضافيًا عبر وصلة AUX مقاس 3.5 مم. ينبغي التأكد من عدم كتم صوت مكبرات صوت الشاشة. وينبغي رفع مستوى الصوت على جهاز الكمبيوتر الخاص بك. 	
<ul style="list-style-type: none"> معدل التحديث لا يصل إلى 100 هرتز ينبغي التأكد من أن منفذ الكمبيوتر الخاص بك يدعم الدقة الفائقة (FHD) عند 100 هرتز. يمكن زيارة الموقع الإلكتروني للشركة المصنعة للتعرف على مزيد من المعلومات. ينبغي التأكد من أن بطاقة الرسومات بجهاز الكمبيوتر الخاص بك تدعم إخراج 100 هرتز وأن برامج التشغيل محدثة. يمكن زيارة الموقع الإلكتروني للشركة المصنعة لتنزيل أحدث برامج التشغيل وتثبيتها. ينبغي التأكد من توصيل كابل يدعم 100 هرتز (مثل كابل DisplayPort أو HDMI 1.4). يمكن فتح إعدادات العرض المتقدمة للكمبيوتر وضبط معدل التحديث على 100 هرتز. 	
<ul style="list-style-type: none"> حامل الشاشة غير مستقر ينبغي التأكد من محاذاة ذراع الدعم وقاعدة الدعم بشكل صحيح. ينبغي مراجعة "توصيل قاعدة الشاشة" في صفحة 118 للاطلاع على مزيد من المعلومات. 	
<ul style="list-style-type: none"> لا أعرف كيفية التحكم في الشاشة وإيقاف التشغيل/الإيقاف ينبغي التأكد من استخدام زر التحكم في الجزء الخلفي من الشاشة لتشغيل/إيقاف تشغيل الشاشة. ويمكن استخدام هذا الزر للتحكم في العرض على الشاشة. ينبغي مراجعة "استخدام زر التحكم" في صفحة 121 للاطلاع على مزيد من المعلومات. 	

المواصفات

شاشة 24 بوصة

تتضمن الطراز B0CP7QLM3G/B0CP7S6TLR/B0CP7TRZWR/B0CP91ZJF9

نظام التوجيه	شاشة LCD ملونة TFT
حجم الصورة القابلة للعرض	23.8 بوصة العرض (60 سم)
مسافة البكسل	0.2745 مم (ارتفاع) × 0.2745 مم (ارتفاع)
وقت الاستجابة	5 مللي ثانية GTG
نطاق المسح الأفقي	VGA : 30-85 كيلو هرتز HDMI : 30-120 كيلو هرتز DisplayPort : 30-120 كيلو هرتز
نطاق المسح العمودي	VGA : 48-75 هرتز HDMI : 48-100 هرتز DisplayPort : 48-100 هرتز

أفقي: 527 ملم عمودي: 296 ملم	حجم المسح (الحد الأقصى)
16.7 مليون لون	ألوان العرض
1080 × 1920 @ 75 هرتز (VGA) 1080 × 1920 @ 100 هرتز (HDMI/DP)	الحد الأقصى للدقة
VESA DDCCI/DDC2B	التوصيل والتشغيل
وضع التشغيل: 18 وات (بشكل نموذجي) وضع الاستعداد: ≥ 0.5 وات وضع إيقاف التشغيل: ≥ 0.3 وات	استهلاك الطاقة:
1 × 1.4 HDMI منفذ 1 × VGA (D-Sub) 1 × 1.2 DP مقيس صوت مقياس 3.5 ملم مخرج صوت 3.5 ملم (مخرج سماعة الرأس)	أنواع الموصلات
واجهة D-Sub واجهة HDMI واجهة DP	الفيديو
الإدخال: 100-240 فولت ~ 60/50 هرتز	مصدر الطاقة
درجة حرارة التشغيل: 0 درجة إلى 40 درجة مئوية (32 درجة إلى 104 درجة فهرنهايت) درجة حرارة التخزين: -20 درجة إلى 60 درجة مئوية (-4 درجة إلى 140 درجة فهرنهايت) رطوبة التشغيل: من 20% إلى 80%	الظروف البيئية
100 × 100 ملم	نمط VESA

ملاحظة: تعتمد بيانات استهلاك الطاقة على شروط اختبار ErP القياسية.

شاشة مقاس 27 بوصة

تتضمن B0CP7R6KDQ/B0CP7Q9P14/B0CP7RZRMD/B0CP928BL3

شاشة LCD ملونة TFT	نظام التوجيه
27 بوصة العرض (69 سم)	حجم الصورة القابلة للعرض
0.3114 مم (ارتفاع) × 0.3114 مم (ارتفاع)	مسافة البكسل
5 مللي ثانية GTG	وقت الاستجابة
VGA: 30-85 كيلو هرتز HDMI: 30-120 كيلو هرتز DisplayPort: 30-120 كيلو هرتز	نطاق المسح الأفقي
VGA: 48-75 هرتز HDMI: 48-100 هرتز DisplayPort: 48-100 هرتز	نطاق المسح العمودي
أفقي: 598 ملم عمودي: 336 ملم	حجم المسح (الحد الأقصى)
16.7 مليون لون	ألوان العرض
1080 × 1920 @ 75 هرتز (VGA) 1080 × 1920 @ 100 هرتز (HDMI/DP)	الحد الأقصى للدقة

VESA DDCI/DDC2B	التوصيل والتشغيل
وضع التشغيل: 21 وات (بشكل نموذجي) وضع الاستعداد: ≥ 0.5 وات وضع إيقاف التشغيل: ≥ 0.3 وات	استهلاك الطاقة:
HDMI 1.4 × 1 منفذ VGA (D-Sub) × 1 DP 1.2 × 1 منفذ USB من النوع A (منفذ USB 3.2 من الجيل 1x3، شاحن سريع بمنفذ USB (3.2 × 1) منفذ USB من النوع B (منفذ USB للمنفذ x1) مقيس صوت 3.5 ملم مخرج صوت 3.5 ملم (مخرج سماعة الرأس)	أنواع الموصلات
D-Sub واجهة HDMI واجهة DP واجهة	الفيديو
الإدخال: 100-240 فولت ~ 60/50 هرتز	مصدر الطاقة
درجة حرارة التشغيل: 0 درجة إلى 40 درجة مئوية (32 درجة إلى 104 درجة فهرنهايت) درجة حرارة التخزين: -20 درجة إلى 60 درجة مئوية (-4 درجة إلى 140 درجة فهرنهايت) رطوبة التشغيل: من 20% إلى 80%	الظروف البيئية
نمط VESA 100 × 100 مم	نمط VESA

ملاحظة: تعتمد بيانات استهلاك الطاقة على شروط اختبار ErP القياسية.






العلامة التجارية

تعد مصطلحات HDMI وواجهات HDMI للوسائط المتعددة عالية الوضوح وشعار HDMI علامات تجارية أو علامات تجارية مسجلة لشركة HDMI Licensing Administrator, Inc.

التعليقات والمساعدة

يشعدنا سماع رأيك. نتمنى أن تترك تقييمًا وتعليقًا من خلال أوامر الشراء الخاصة بك. إذا احتجت إلى مساعدة في المنتج، فقم بتسجيل الدخول إلى حسابك وتوجه إلى صفحة خدمة العملاء / الاتصال بنا.

amazon.com/pbhelp

FOR UK ONLY	UNIQUEMENT POUR LA FRANCE	SOLO PER ITALIA	SÓLO ESPAÑA
 PAPER Recycle	  	CARTA PAP 22 RACCOLTA CARTA Verifica le disposizioni del tuo Comune	 Al Azul Envase Cartón



Amazon.com Services LLC, 410 Terry Ave N. Seattle, WA 98109 USA • Amazon.com.ca ULC, 40 King Street West 47th Floor, Toronto, ON, M2H 3Y2, Canada • Importadora Amazon México, S. de R.L. de C.V., Boulevard Manuel Ávila Camacho, #261 Piso 5 Colonia Polanco I Sección, Miguel Hidalgo, Ciudad de México, C.P.11510 México RFC: ACA140623TXA (☎: 800-874-8725)

Amazon EU Sarl, UK Branch, 1 Principal Place, Worship ST, London EC2A 2FA, United Kingdom (reg: BR017427) • Amazon EU S.à r.l., 38 Avenue John F. Kennedy, L-1855 Luxembourg (reg: 134248)

Amazon Commercial Services Pty Ltd, L 37 2-26 Park ST, Sydney NSW 2000 Australia • Amazon Commercial Services (South Africa), Wembley Square 2 - 134 Solan Street, Gardens, Cape Town, Western Cape, 8001

アマゾンジャパン合同会社 東京都目黒区下目黒 1-8-1
153-0064 日本

Souq.com for E-Commerce No.12B03/B, Cairo Festival City PRJ New Cairo – Egypt

كيو تك للتجارة العامة، ش.ذ.م.م بوابة ابن بطوطة، جاردنز، دبي،
صندوق بريد ٥٤١٠٧، الإمارات العربية المتحدة

شركة آفاق كيو تك للتجارة العامة المبنى ٣٦٢٧-٨١٦٦، واجهة روشن، طريق مطار الملك خالد الدولي، الرياض،
الرمز البريدي ١٣٤١٣، المملكة العربية السعودية

V10-01/26