

Save This Manual
For Future Reference

SEARS

**owners
manual**

**Model No.
113.248210**

Single Speed Band Saw
with Leg Set

**Model No.
113.248320**

Two Speed Band Saw
with Leg Set

**Model No.
113.248440**

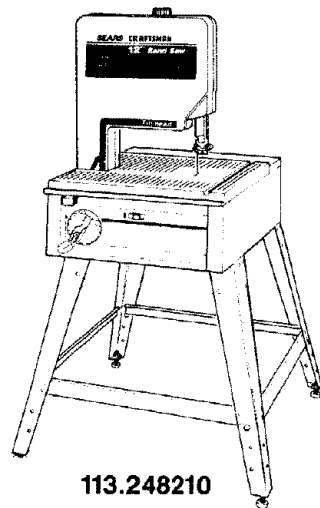
Two Speed Electronic
Band Saw with Leg Set

**Model No.
113.248510**

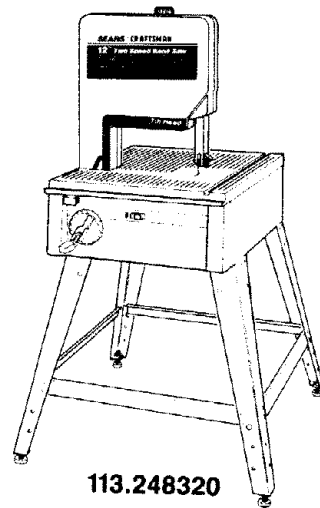
Two Speed Electronic
Band Saw with Cabinet

Serial
Number _____
Model and serial numbers
may be found at the
left-hand side of the base.
You should record both
model and serial number
in a safe place for future
use.

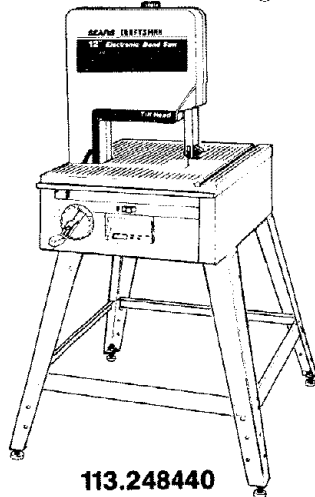
CAUTION:
**READ ALL
INSTRUCTIONS
CAREFULLY**



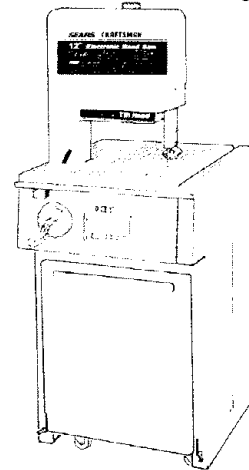
113.248210



113.248320



113.248440



113.248510

CRAFTSMAN

12-INCH BAND SAW

- assembly
- operating
- repair parts

Sold by SEARS, ROEBUCK AND CO., Chicago, IL. 60684 U.S.A.

FULL ONE YEAR WARRANTY ON CRAFTSMAN BAND SAW

If within one year from the date of purchase, this Craftsman Band Saw fails due to a defect in material or workmanship, Sears will repair it, free of charge.

WARRANTY SERVICE IS AVAILABLE BY SIMPLY CONTACTING THE NEAREST SEARS SERVICE CENTER/DEPARTMENT THROUGHOUT THE UNITED STATES.

This warranty applies only while this product is used in the United States.

This warranty gives you specific legal rights and you may also have other rights which vary from state to state.

SEARS, ROEBUCK AND CO., DEPT. 698/731A Sears Tower, Chicago, IL 60684

TABLE OF CONTENTS

Section Title	Page Number		Page Number
General Safety Instructions for		Aligning the Blade and	
Power Tools	3	Blade Guide Assemblies	28-30
Additional Safety Instructions for		Mounting the Front Table	30-32
Band Saw	4-5	Squaring the Blade to the Table	32
Glossary of Terms for Woodworking	6	Adjusting Front Table	33
Electrical Connections	6-7	Location and Function of Controls	34
General Information	8	Tilting Head for Bevel Cut	35
Model Description	8	Adjusting Bevel Lock Knob	35
Unpacking and Checking Contents	8-10	Basic Band Saw Operation	36
Assembling Leg Set	11-13	Installing Sanding Attachment	37
Assembling Cabinet	13-15	Installing the Sanding Belt	37
Mounting the Saw to the Cabinet	15-16	Recommended Accessories	38
Mounting Door	16	Maintenance	38-39
Attaching the Handwheel	17	Trouble Shooting—All Models	39
Mounting the Motor	17-19	Trouble Shooting—Motor	40
Connecting the Motor	20	Trouble Shooting—Electronics	41-42
Selecting Blade Speed	21	Parts Lists	43-50
Recommended Speed Settings	21	Leg Set	43
Changing Speed Settings	21	Drive Assembly	44-45
Attaching Trim Caps	22	Base Components	46-47
Getting to Know Your Band Saw	23	Bevel Drive and Motor Mount	
Location and Function of the		Assembly Parts	48-49
Electronic Indicator System	24-25	Cabinet	50
Installing the Blade	26-27		

GENERAL SAFETY INSTRUCTIONS FOR POWER TOOLS

ALL MODELS

1. KNOW YOUR POWER TOOL

Read and understand the owner's manual and labels affixed to the tool. Learn its application and limitations as well as the specific potential hazards peculiar to this tool.

2. GROUND ALL TOOLS

This tool is equipped with an approved 3-conductor cord and a 3-prong grounding type plug to fit the proper grounding type receptacle. The green conductor in the cord is the grounding wire. Never connect the green wire to a live terminal.

3. KEEP GUARDS IN PLACE,

in working order, and in proper adjustment and alignment.

4. REMOVE ADJUSTING KEYS AND WRENCHES

Form habit of checking to see that keys and adjusting wrenches are removed from tool before turning it on.

5. KEEP WORK AREA CLEAN

Cluttered areas and benches invite accidents. Floor must not be slippery due to wax or sawdust.

6. AVOID DANGEROUS ENVIRONMENT

Don't use power tools in damp or wet locations or expose them to rain. Keep work area well lighted. Provide adequate surrounding work space.

7. KEEP CHILDREN AWAY

All visitors should be kept a safe distance from work area.

8. MAKE WORKSHOP CHILD-PROOF

— with padlocks, master switches, or by removing starter keys.

9. DON'T FORCE TOOL

It will do the job better and safer at the rate for which it was designed.

10. USE RIGHT TOOL

Don't force tool or attachment to do a job it was not designed for.

11. WEAR PROPER APPAREL

Do not wear loose clothing, gloves, neckties or jewelry (rings, wrist watches) to get caught in moving parts. Non-slip footwear is recommended. Wear protective hair covering to contain long hair. Roll long sleeves above the elbow.

12. USE SAFETY GOGGLES (Head Protection)

Wear Safety goggles (must comply with ANSI

Z87.1) at all times. Everyday eyeglasses only have impact resistant lenses, they are NOT safety glasses. Also, use face or dust mask if cutting operation is dusty, and ear protectors (plugs or muffs) during extended periods of operation.

13. SECURE WORK

Use clamps or a vise to hold work when practical. It's safer than using your hand, and frees both hands to operate tool.

14. DON'T OVERREACH

Keep proper footing and balance at all times.

15. MAINTAIN TOOLS WITH CARE

Keep tools sharp and clean for best and safest performances. Follow instructions for lubricating and changing accessories.

16. DISCONNECT TOOLS

before servicing; when changing accessories such as blades, bits, cutters, etc.

17. AVOID ACCIDENTAL STARTING

Make sure switch is in "OFF" position before plugging in.

18. USE RECOMMENDED ACCESSORIES

Consult the owner's manual for recommended accessories. Follow the instructions that accompany the accessories. The use of improper accessories may cause hazards.

19. NEVER STAND ON TOOL

Serious injury could occur if the tool is tipped or if the cutting tool is accidentally contacted. Do not store materials above or near the tool such that it is necessary to stand on the tool to reach them.

20. CHECK DAMAGED PARTS

Before further use of the tool, a guard or other part that is damaged should be carefully checked to ensure that it will operate properly and perform its intended function. Check for alignment of moving parts, binding of moving parts, breakage of parts, mounting, and any other conditions that may effect its operation. A guard or other part that is damaged should be properly repaired or replaced.

21. NEVER LEAVE TOOL RUNNING UNATTENDED

Turn power off. Don't leave tool until it comes to a complete stop.

additional safety instructions for band saw

ALL MODELS

Safety is a combination of common sense, staying alert, and knowing how your band saw works.

BEFORE USING THE SAW:

WARNING: TO AVOID MISTAKES THAT COULD RESULT IN SERIOUS, PERMANENT INJURY, DO NOT PLUG THE SAW IN UNTIL THE FOLLOWING STEPS HAVE BEEN SATISFACTORILY COMPLETED:

1. Assembly and alignment.
2. Learn the function and proper use of the on-off switch, bevel crank and lock, upper blade guide

and lock knob, lower blade guide, tension adjusting knob and tension scale, and blade thrust bearing adjustment.

3. Read and understand all safety instructions and operating procedures throughout the manual.
4. Read the following labels which appear on the front of the band saw and blade guard.



DANGER FOR YOUR OWN SAFETY:

▪ Always wear safety goggles that comply with ANSI Z87.1.

▪ Before turning saw on, check and adjust:
a) Blade Tension b) Blade Guides
c) Thrust Bearings

▪ Before turning saw on, adjust UPPER BLADE GUIDE to just clear workpiece.
▪ Support, fixture or brace workpiece firmly against table so it will not rock or twist from your hand.

Know This Tool! Read and Understand Owner's Manual before Using this Machine.

▪ Plan hand positions so a sudden slip won't cause injury.
▪ Turn saw off and wait for blade to stop before freeing jammed material.

▪ Turn saw off, remove switch key, and wait for blade to stop before adjusting saw, changing blades or leaving area.
▪ Maintain 1/8" maximum clearance between table and sanding belt.

WHEN INSTALLING OR MOVING THE SAW

1. To avoid injury from unexpected saw movement:
 - a. Place the saw on a firm level surface where there is plenty of room for feeding the workpiece.
 - b. Adjust the saw so the table is level and the saw does not rock.
 - c. Bolt the saw to the floor if it tends to slip, slide, or tip over during operations like cutting long, heavy boards.
 - d. Turn saw off and unplug electric cord before moving the saw to a new area.
2. Store and use the band saw indoors.

BEFORE EACH USE

1. Inspect your saw. If any part of this band saw is missing, or bent, or failed in any way, or any electrical components do not work properly, turn the saw off, remove switch key, and unplug the saw. Replace damaged, missing, or failed parts before using the saw again.
2. Plan your work to protect your eyes, hands, face, ears and body.
 - a. Do not do layout, assembly, or set up work on the table while the saw is running.
 - b. Wear safety goggles (not glasses) that comply with ANSI Z87.1 (shown on package). Using any power tool can result in foreign objects being thrown into the eyes, which can result in permanent eye damage. Safety goggles are available at Sears retail or catalog stores. Use of glasses or use of goggles not in compliance



with ANSI Z87.1 could result in severe injury from breakage of the eye protection.

- c. For dusty operations, wear a face shield along with safety goggles.
- d. Use extra caution with large, very small, or awkward workpieces.
 1. Use extra supports (tables, saw horses, etc.) for any workpieces large enough to tip when not held down to the table top.
 2. Do not feed small pieces that require your finger holding the workpiece to go under the guard area. Use jigs or fixtures to hold the work and keep your hands away from the blade.
 3. When cutting irregularly shaped workpieces, plan your work so it will not pinch the blade. A piece of molding, for example, must lay flat or be held by a fixture or jig that will not let it twist, rock or slip while being cut.
 4. Properly support round material such as dowel rods, or tubing. They have a tendency to roll while being cut, causing the blade to "bite." To avoid this, always use a "V" block, or clamp the workpiece to a miter gage.
- e. To avoid risk of hearing damage, wear ear plugs or muffs during extended periods of operation.

- f. To avoid being suddenly caught in the blade:
 1. Do not wear gloves.
 2. Remove all jewelry and loose clothing.
 3. Tie back long hair.
 4. Roll long sleeves above the elbow.
- g. To avoid injury from accidental starting, always unplug saw, turn switch off and remove switch key before removing the guard, installing or removing any blade, accessory or attachment, or making any adjustments.
- h. To avoid slips and jams causing injury:
 1. Choose the right size and style blade for the material and the type of cutting you plan to do. Use this band saw to cut and sand only wood, wood like products and plastic.
 2. Make sure the blade teeth point downward toward the table.
 3. Make sure the blade tracking guides and thrust bearings are properly adjusted.
 4. Always check and correctly adjust blade or sanding belt tension.
- i. To avoid accidental blade contact, minimize blade breakage and provide maximum blade support.
 1. Always adjust the upper blade guide and blade guard to just clear the workpiece.
 2. Plan your hand placement so your fingers will not be where a sudden slip could cause them to hit the blade.
- j. Make sure all clamps and locks are tight and there is no excessive play in any parts.
- k. To avoid an electrical shock, make sure your fingers do not touch the metal prongs on the plug when installing or removing the plug to or from a live outlet.
- l. Never turn your band saw "ON" before clearing everything except the workpiece and related feed or support devices off the table.

BEFORE SANDING

1. Keep the table and sanding belt adjusted so the gap between them is no more than 1/16-inch wide.
2. To avoid fire, shock, or cause electrical shorts, do not sand metal. It could ignite the sawdust inside the saw.

WHENEVER SAW IS RUNNING

WARNING: DO NOT ALLOW FAMILIARITY (GAINED FROM FREQUENT USE OF YOUR BAND SAW) TO CAUSE A CARELESS MISTAKE. ALWAYS REMEMBER THAT A CARELESS FRACTION OF A SECOND IS SUFFICIENT TO INFLICT SEVERE INJURY.

- a. If your saw makes an unfamiliar noise or if it vibrates excessively, stop immediately. Turn the saw off. Remove switch key and unplug the saw. Do not restart until finding and correcting the problem.
- b. Avoid awkward hand positions where a sudden slip could cause a hand to move into the blade or the sanding belt.
- c. Feed the workpiece only fast enough to let the blade cut without bogging down or binding.
- d. Before freeing jammed material, turn saw off. Remove switch key. Remove plug from power source outlet. Wait for all moving parts to stop.
- e. When backing up the workpiece, the blade may bind in the kerf (cut). This is usually caused by sawdust clogging up the kerf or because the blade comes out of the guides. If this happens:
 1. Turn saw off.
 2. Unplug saw.
 3. Remove switch key.
 4. Wait for all moving parts to stop.
 5. Remove band saw cover.
 6. Stick a flat blade screwdriver or wedge into the kerf.
 7. Turn the upper wheel by hand while backing up the workpiece.
- f. Before removing loose pieces from the table, turn saw off and wait for all moving parts to stop.

ACCESSORIES

USE ONLY RECOMMENDED ACCESSORIES. Follow the instructions that come with the accessories. Consult the owner's manual for recommended accessories. The use of improper accessories may cause risk of injury to persons.

glossary of terms for woodworking

ALL MODELS

Beveling

An angle cutting operation through the face of the board.

Crosscut

A cutting operation made across the width of the workpiece.

Compound Cutting

A simultaneous bevel and miter cutting operation.

FPM

Feet per minute. Used in reference to surface speed of blade.

Freehand (as used for band saw)

Performing a cut without the workpiece properly supported on the work table.

Gum

A sticky, sap based residue from wood products.

Kerf

The material removed by the blade in a through cut or the slot produced by the blade in a non-through or partial cut.

Leading End

The end of the workpiece which is pushed into the cutting tool first.

Mitering

An angle cutting operation made across the width of the workpiece.

Push Stick

A device used to feed the workpiece through the saw during narrow ripping type operations so the operator's hands are kept well away from the blade.

Resaw

A cutting operation to reduce the thickness of the workpiece to make thinner pieces.

Resin

A sticky, sap based substance that has dried.

Ripping

A cutting operation along the length of the workpiece.

Sawblade Path

The area of the worktable or workpiece directly in line with the saw blade.

Set

The distance the tip of the saw blade tooth is bent outward from the face of the blade.

Trailing End

The workpiece end last cut by the saw blade.

Workpiece

The item on which the cutting operation is being performed. The surfaces of a workpiece are commonly referred to as faces, ends, and edges.

Worktable

The surface on which the workpiece rests while performing a cutting or sanding operation.

electrical connections

ALL MODELS

POWER SUPPLY

Motor Specifications

The A-C motor used in this saw is a capacitor-start, non-reversible type having the following specifications:

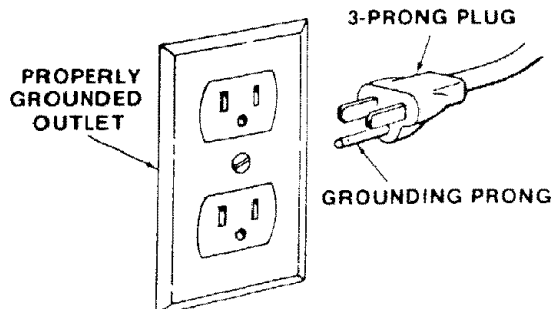
	24832 24844 24851	24821
Rated H.P.	5/8	1/2
Maximum Developed H.P.	1 1/8	1
Voltage	120	120
Amperes	7.9	7.9
Hertz (Cycles)	60	60
Phaze	Single	Single
RPM	1725	1725
Rotation of Shaft	Clock- wise	Clock- wise

WARNING: TO AVOID ELECTRICAL HAZARDS, FIRE HAZARDS, OR DAMAGE TO THE TOOL, USE PROPER CIRCUIT PROTECTION. YOUR SAW IS WIRED AT THE FACTORY FOR 120V OPERATION. CONNECT TO A 120V, 15-AMP, BRANCH CIRCUIT AND USE A 15-AMP FUSE OR CIRCUIT BREAKER. TO AVOID SHOCK OR FIRE, IF POWER CORD IS

WORN OR CUT, OR DAMAGED IN ANY WAY, HAVE IT REPLACED IMMEDIATELY.

IF NOT PROPERLY GROUNDED THIS POWER TOOL CAN CAUSE ELECTRICAL SHOCK — PARTICULARLY WHEN USED IN DAMP LOCATIONS CLOSE TO PLUMBING. IF AN ELECTRICAL SHOCK OCCURS THERE IS ALSO THE POTENTIAL OF A SECONDARY HAZARD SUCH AS YOUR HANDS CONTACTING THE SAWBLADE. NOT ALL OUTLETS ARE PROPERLY GROUNDED. IF YOU ARE NOT SURE THAT YOUR OUTLET IS PROPERLY GROUNDED, HAVE IT CHECKED BY A QUALIFIED ELECTRICIAN.

Your unit has a plug that looks like the one shown below.



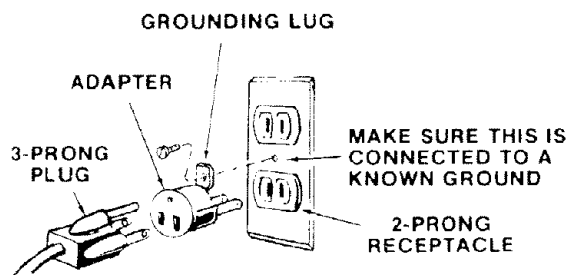
This power tool is equipped with a 3-conductor cord and ground type plug listed by Underwriters' Laboratories. The ground conductor has a green jacket and is attached to the tool housing at one end and to the ground prong in the attachment plug at the other end.

This plug requires a mating 3-conductor grounded type outlet as shown above.

WARNING: TO MAINTAIN PROPER TOOL GROUNDING WHENEVER THE OUTLET YOU ARE PLANNING TO USE FOR THIS POWER TOOL IS OF THE TWO PRONG TYPE, DO NOT REMOVE OR ALTER THE GROUNDING PRONG IN ANY MANNER. USE AN ADAPTER AS SHOWN AND ALWAYS CONNECT THE GROUNDING PRONG TO KNOWN GROUND.

It is recommended that you have a qualified electrician replace the two prong outlet with a properly grounded three prong outlet.

An adapter as shown is available for connecting the plug to 2-prong receptacles. The green grounding lead extending from the adapter must be connected to a permanent ground such as a properly grounded outlet box.



WARNING: THE ADAPTER ILLUSTRATED IS FOR USE ONLY IF YOU ALREADY HAVE A PROPERLY GROUNDED 2-PRONG RECEPTACLE.

MOTOR SAFETY PROTECTION

CAUTION: To avoid motor damage this motor should be blown out or vacuumed frequently to keep sawdust from interfering with normal motor ventilation.

1. This tool should be connected to a 120V, 15 amp branch circuit with a 15 amp fuse or circuit breaker. Failure to use the proper size fuse can result in damage to the motor.
2. If the motor fails to start, turn the power switch to the "OFF" position immediately. UNPLUG THE

TOOL. Check the saw blade to make sure it turns freely. If the blade is free, try to start the motor again. If the motor still does not start, refer to the "Motor Trouble-Shooting Chart."

3. If the motor suddenly stalls while cutting wood, turn the power switch off, unplug the tool, and free the blade from the wood. The motor may now be restarted and the cut finished.
4. Frequent "blowing" of fuses or tripping or circuit breakers may result if:
 - a. MOTOR IS OVERLOADED - Overloading can occur if you feed too rapidly.
 - b. LOW VOLTAGE - Although the motor is designed for operation on the voltage and frequency specified on the motor nameplate, normal loads will be handled safely on voltages not more than 10% above or below the nameplate voltage. Heavy loads, however, require that voltage at motor terminals equals the voltage specified on nameplate.
5. Most motor troubles may be traced to loose or incorrect connections, overload, reduced input voltage (such as small size wire in the supply circuit) or to overly long supply circuit wire. Always check the connections, the load and the supply circuit whenever motor fails to perform satisfactorily. Check wire size and length with the Wire Size Chart below.

WIRE SIZES

The use of any extension cord will cause some loss of power. To keep this to a minimum and to prevent overheating and motor burn-out, use the table below to determine the minimum wire size (A.W.G.) extension cord. Use only 3-wire extension cords which have 3-prong grounding type plugs and 3-pole receptacles which accepts the tools plug.

CAUTION: For circuits that are farther away from electrical service box, the wire size must be increased proportionately in order to deliver ample voltage to the saw motor.

Length of the Conductor	120 Volts Wire Sizes Required (American Wire Gage Number)
0 - 25 Ft.	16
26 - 50 Ft.	14
51 - 100 Ft.	12

general information

ALL MODELS

1. This manual is for the following Models—113.248210, 113.248320, 113.248440, and 113.248510. All sections are labeled with the correct model number. **Follow ONLY instructions that are meant for your model saw.**
2. If you are missing any part(s) while putting your saw together, do not continue assembly. Contact your Sears Service Center or Retail Store and get the missing part(s) before continuing assembly or trying to use the saw.
Complete parts lists are located at the end of this manual. Use these lists to identify the number of any missing part.
3. Sometimes small parts get lost in packaging materials. Do not throw away any packaging until your saw is put together. If you are missing a part, check the packaging before contacting Sears.

Model Description

Model 113.248210: Manual Band Saw; 18 × 23 inch work table; single speed; ½ H.P. motor that develops 1 H.P.; legset.

Model 113.248320: Manual Band Saw; 27 × 23 inch work table; two speed; ⅝ H.P. motor that develops 1½ H.P.; legset.

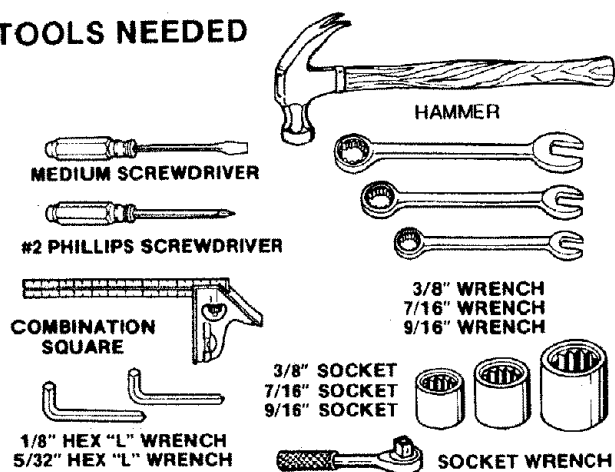
Model 113.248440: Electronic Band Saw; 27 × 23 inch work table; two speed; ⅝ H.P. motor that develops 1½ H.P.; legset.

Model 113.248510: Electronic Band Saw; 27 × 23 inch work table; two speed; ⅝ H.P. motor that develops 1½ H.P.; 23 inch cabinet with door.

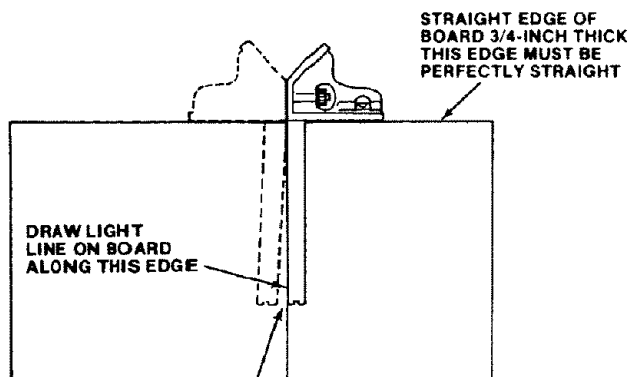
unpacking and checking contents

ALL MODELS

TOOLS NEEDED



COMBINATION SQUARE MUST BE TRUE



SHOULD BE NO GAP OR OVERLAP HERE WHEN SQUARE IS FLIPPED OVER IN DOTTED POSITION

WARNING: TO AVOID INJURY FROM UNEXPECTED STARTING OR ELECTRICAL SHOCK, DO NOT PLUG THE SAW IN UNTIL ALL ASSEMBLY AND ALIGNMENT STEPS ARE COMPLETE. THE POWER CORD MUST REMAIN UNPLUGGED WHENEVER YOU ARE WORKING ON THE SAW.

Unpacking and Checking Contents

1. Separate all "loose parts" from packaging materials and check each item with "Table of Loose Parts" to make sure all items are accounted for, before discarding any packing material.

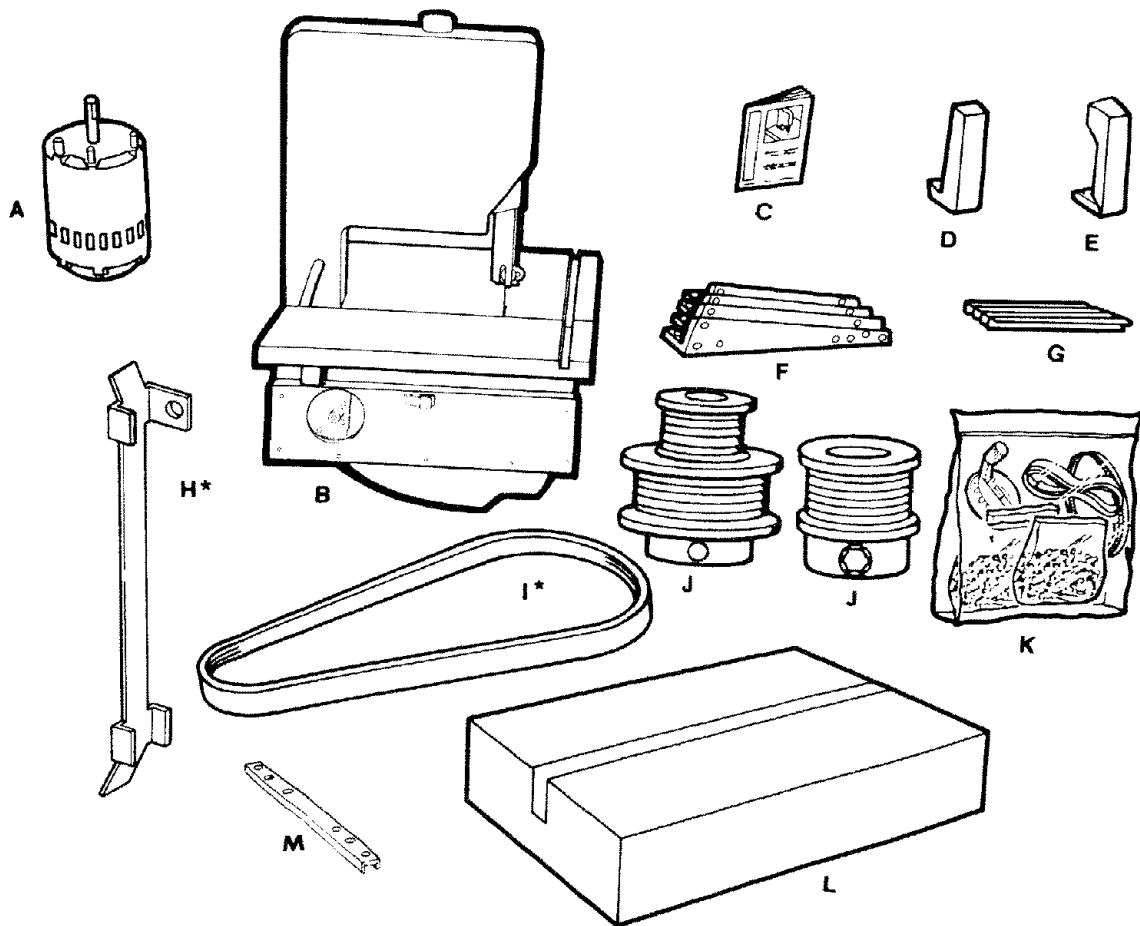
WARNING: IF ANY PARTS ARE MISSING, DO NOT ATTEMPT TO ASSEMBLE THE BAND SAW, PLUG IN THE POWER CORD, OR TURN THE SWITCH ON UNTIL THE MISSING PARTS ARE OBTAINED AND ARE INSTALLED CORRECTLY.

2. Remove front table and front cover first while saw is being unpacked. To remove the front cover, pull the cover at the neck and underside of throat area.

TABLE OF LOOSE PARTS

ITEM	DESCRIPTION	QTY.
A	Motor	1
B	Basic Saw Assembly (Models 113.248210 and 113.248320 Do not include electronic indicator system)	1
C	Owners Manual	1
D	Trim Cap, L.H.	1
E	Trim Cap, R.H.	1
F	Leg	4
G	Lower Stiffener	4
H	Sanding Platen	1
I	Poly "V" Drive Belt	1
J	Pulley	1
K	Loose Parts Bag containing the following items:	
	Band Saw Blade 1/4 x 80	1
	Sanding Belt 1/2 x 80	1
	Handwheel Assembly	1
	Bag of Loose Parts #508014	1
	Bag of Loose Parts #507968	1
	Bag of Loose Parts #507741	1
	Battery (Electronic Models Only)	1
L	Cabinet Assembly (Model 113.248510 Only)	1
M	Leg Channel	1

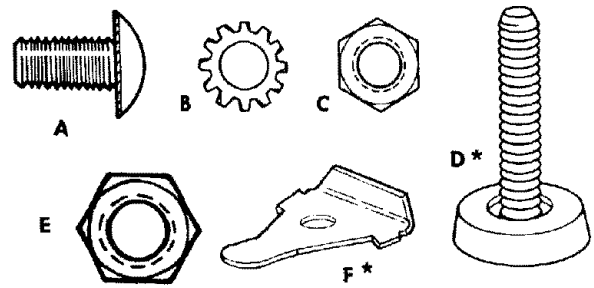
NOTE: To avoid damage to the band saw leave it laying on its left side until you are ready to mount it to the leg set or cabinet. To prevent scratching the finish, lay a piece of the packing box under the saw.



ALL MODELS

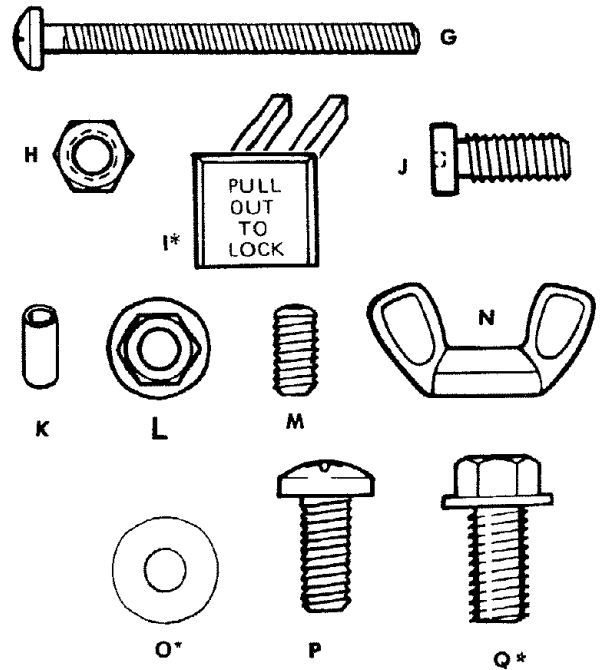
LIST OF LOOSE PARTS IN BAG #507968

ITEM	DESCRIPTION	QTY.
A	Truss Head Screw $\frac{1}{4}$ -20 x 12	32
B	Lockwasher Ext. $\frac{1}{4}$	32
C	Hex Nut $\frac{1}{4}$ -20	32
D	Leveling Foot	4
E	Hex Jam Nut $\frac{3}{8}$ -16	8
F	Bracket Leg	4



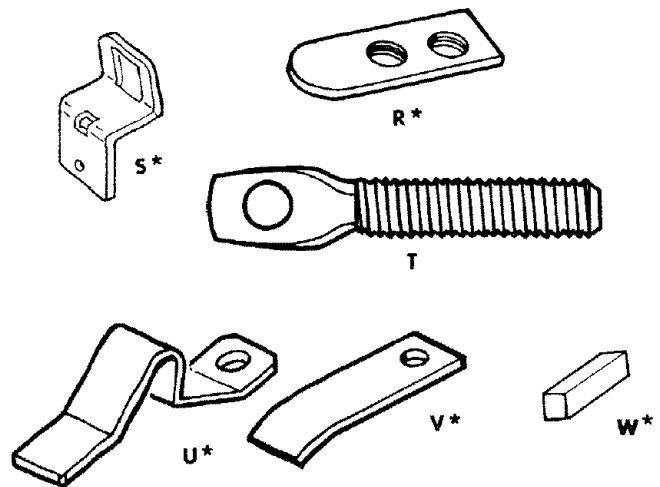
LIST OF LOOSE PARTS IN BAG #508014

ITEM	DESCRIPTION	QTY.
G	Pan Hd. Screw 10-32 x 2	1
H	Hex Nut 10-32	1
I	Switch Key	1
J	Lo Hd. Screw Cap $\frac{1}{4}$ -20 x $\frac{5}{8}$	2
K	Spacer #10 x $\frac{5}{16}$	3
L	Hex Flange Lock Nut 10-32	4
M	Locking Setscrew $\frac{1}{4}$ -20 x $\frac{1}{2}$	3
N	Wingnut $\frac{5}{16}$ -18	1
O	Washer $\frac{7}{32}$ x 1 x $1\frac{1}{16}$	1
O	Washer $\frac{13}{64}$ x $\frac{5}{8}$ x $\frac{1}{32}$	2
P	Pan Hd. Screw Type TT 10-32 x $\frac{3}{8}$	2
Q	Hex Hd. Screw Ty TT $\frac{1}{4}$ -20 x $\frac{5}{8}$	4



LIST OF LOOSE PARTS IN BAG #507741

ITEM	DESCRIPTION	QTY.
R	Table Alignment Key	1
S	Table Latch	2
T	Belt Tension Stud	1
U	Table Latch Spring	2
V	Table Alignment Spring	2
W	Key $\frac{3}{16}$ Sq. x $\frac{15}{16}$	1



*NOT SHOWN TO SCALE

assembly and alignment

**MODEL 113.248210, 113.248320,
113.248440**

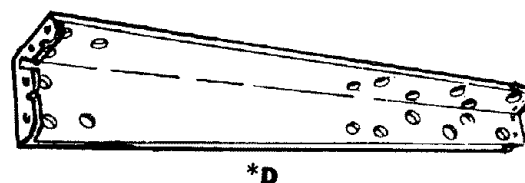
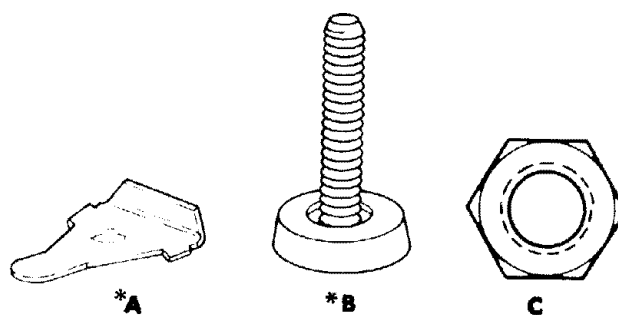
ATTACHING LEVELING FEET

From the loose parts bag find the following hardware:

Item	Description	Qty.
A	Support Bracket	4
B	Leveling Feet	4
C	Hex Nut $\frac{3}{8}$ -16	8

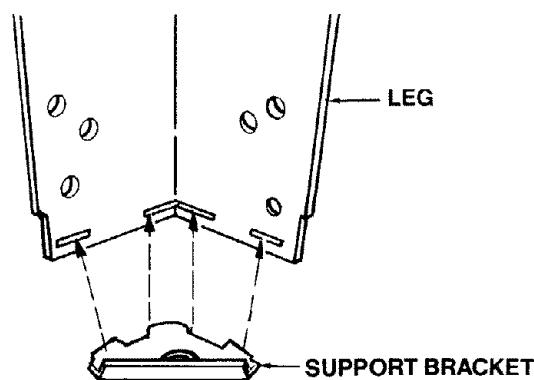
From the loose parts find the following items:

D	Leg	4
---	-----	---

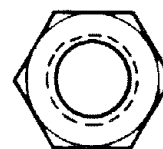


*NOT SHOWN TO SCALE

1. Mount floor leveler support brackets inside legs. Line up the three tabs on brackets with slots on leg and tap into place. Make sure lip on bracket points up. Install the remaining three brackets the same way.

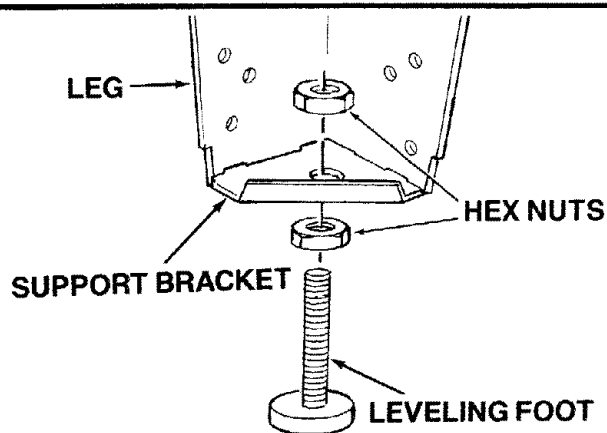


2. Put a hex nut on each of the leveling feet and screw it down towards the rubber foot.



3. Put the leveling feet through the holes in the bottom of the floor leveler support bracket.
4. Put another hex nut on each of the leveling feet and hand tighten until they are next to the support bracket.

WARNING: After the legset has been attached to the basic saw assembly, it will be necessary to adjust the leveling feet so the saw does not rock.



MODEL 113.248210, 113.248320, 113.248440

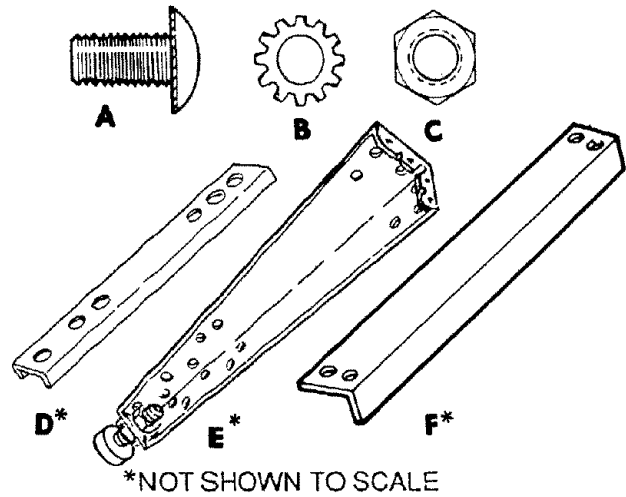
ATTACHING LEG SET

From the loose parts bag find the following hardware:

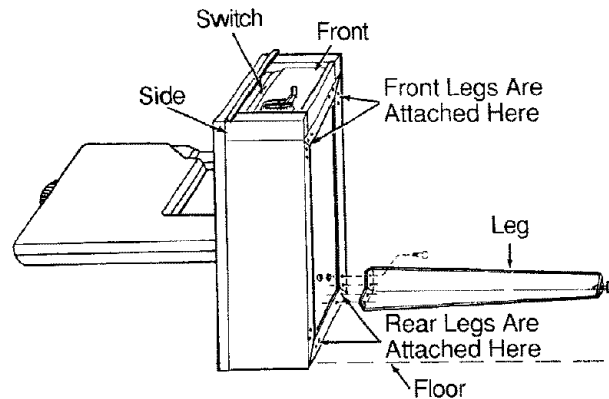
Item	Description	Qty.
A	Truss Head Bolts 1/4-20 x 1/2	32
B	Lockwashers External 1/4	32
C	Hex Nuts 1/4-20	32

From the loose parts find the following items:

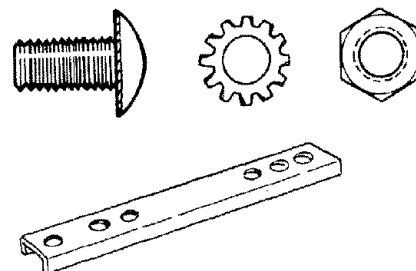
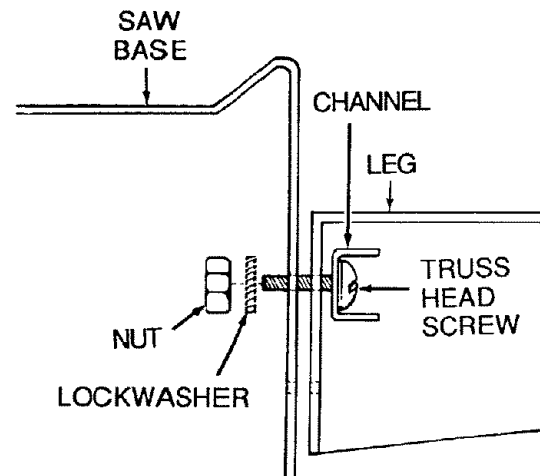
D	Leg Channel	1
E	Legs (with attached support brackets and leveling feet)	4
F	Lower Stiffeners	4



1. Lay a piece of cardboard on the floor to keep from scratching the saw.
2. Position the basic saw assembly on the floor as shown below. The back cabinet of the saw should be laying flat on the floor. It may be necessary to have someone help you lift the saw.

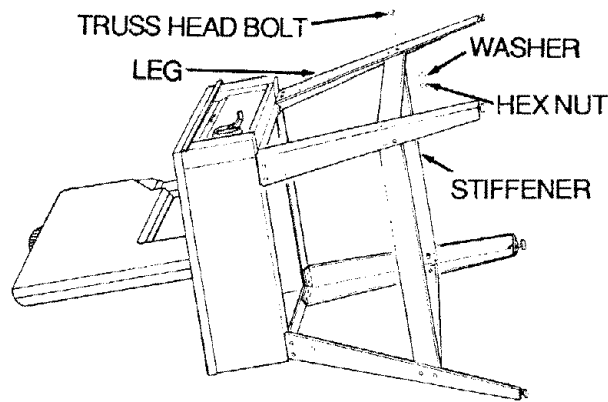


3. Mount the two *front* legs to the basic saw assembly using truss head bolts, lockwashers, and nuts. Make sure that the four (4) holes in each corner of the saw line up with the four (4) holes in the top of each leg. At this time only put bolts through the *sides* of the saw assembly *not* the front. Only finger tighten nuts.
4. Position the leg channel inside the legset as shown. Fasten the channel piece, leg, and saw together with two (2) truss headbolts on each side. The threaded section of the bolts should point towards the inside of the basic saw assembly. Put a lockwasher and hex nut on each bolt. Finger tighten nuts at this time.



Truss head screw, lockwasher, hex nut, and front channel piece.

5. Use truss head bolts, lockwashers, and hex nuts to mount the two (2) rear legs to the basic saw assembly. It may be necessary to slightly tilt the saw assembly backwards in order to get the four (4) holes in each corner of the saw to line up with the four (4) holes in the top of each leg. Finger tighten nuts at this time.
6. Attach the four (4) lower stiffeners to the legs. Two (2) truss head bolts, washers, and hex nuts are required to hold each end of a lower stiffener in place. Only hand tighten hex nuts.



7. Go back with a 7/16 wrench or socket and tighten all hex nuts.
8. Carefully lift the saw into its normal position. It may be necessary to have someone help you in order to avoid damaging the saw.

ADJUSTING LEVELING FEET

WARNING: TO AVOID INJURY FROM UNEXPECTED SAW OR WORK MOVEMENT, LEVELING FEET MUST BE ADJUSTED SO THAT SAW DOES NOT ROCK.

To adjust leveling feet so the saw will sit properly:

- a. Move saw to desired location.
- b. Raise or lower leveling foot by turning it clockwise or counterclockwise.
- c. Tighten nuts to lock leveling foot in place.

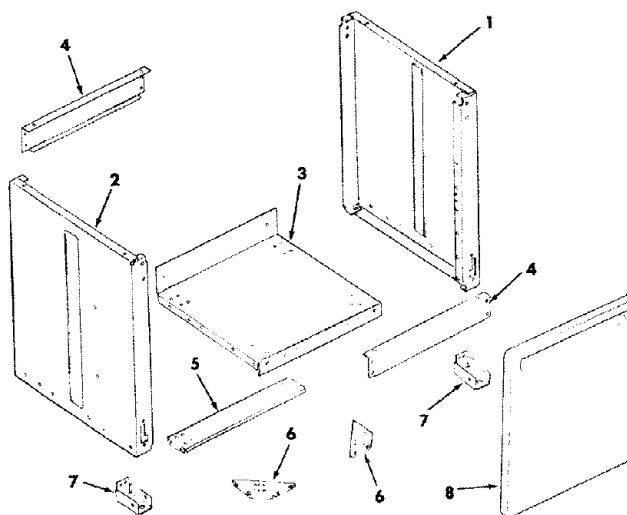
MODEL 113.248510

ASSEMBLING CABINET

1. Separate all "loose" parts from packing materials and check each item with "Parts List" to make sure all items are accounted for before discarding any packing material.

From loose parts find the following items:

ITEM	DESCRIPTION	QTY.
1	Right Side Panel	1
2	Left Side Panel	1
3	Lower Shelf	1
4	Skirt	2
5	Shelf Stiffener	1
6	Corner Bracket	2
7	Spacer	2
8	Door	1



Bag of Loose Parts #508166
Containing Following Items:

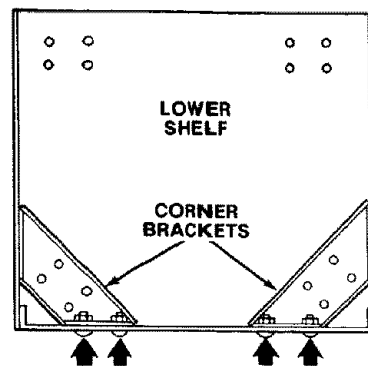
Screw, Truss Hd. 1/4-20 x 1/2	34
Lockwasher, Ext. 1/4	34
Nut, Hex 1/4-20	34
Foot, Leveling 3/8	4
Nut, Hex Jam 3/8-16	8

Bag of Loose Parts #507530
(In Cabinet Assembly)
Containing Following Items:

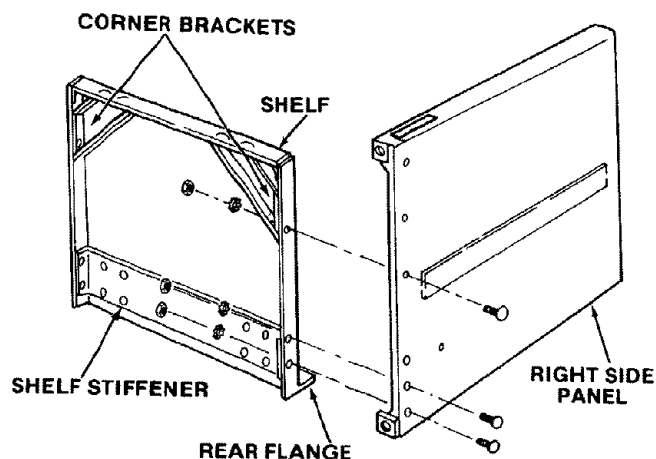
Screw, Pan Hd. #6-10 x 1/2	2
Screw, Pan Hd. Ty "T" 6-32 x 3/8	2
Screw, Pan Hd. #10-10 x 1/2	4
Catch Magnetic	1
Hinge Door	2

MODEL 113.248510

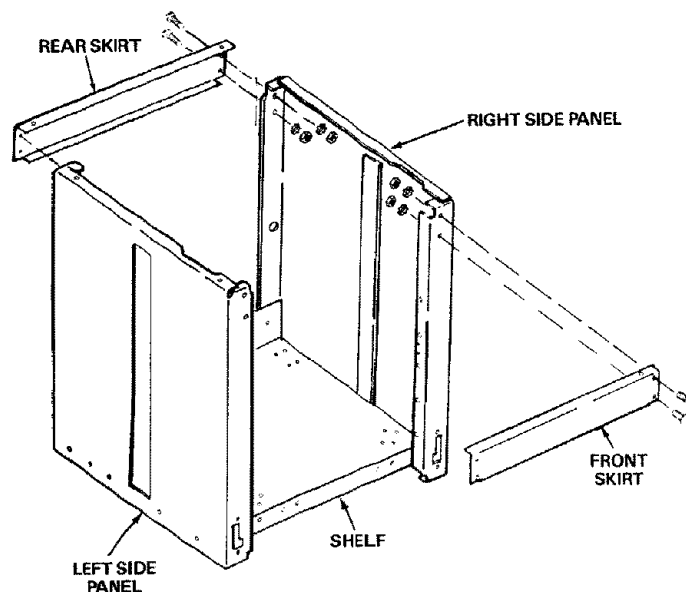
2. After layout of cabinet parts, take the lower shelf and turn upside down on floor. Small front flange should be pointing upward.
3. Locate the two (2) corner brackets, four (4) 1/4-20 x 1/2 truss head bolts, lockwashers, and nuts. Attach the corner brackets to the front flange in holes as illustrated. Attach both corner brackets.



4. Locate the two (2) side panels, one (1) shelf stiffener, and six (6) 1/4-20 x 1/2 truss head bolts, lockwashers and hex nuts. Place the right side panel on its back side as illustrated. Stand up the lower shelf on the rear flange and line up the holes on the corner bracket and shelf stiffener with the holes in the side panel. Mount the bolts in the three holes and tighten hex nuts with a 7/16-inch wrench or socket. Repeat procedure for left side panel.

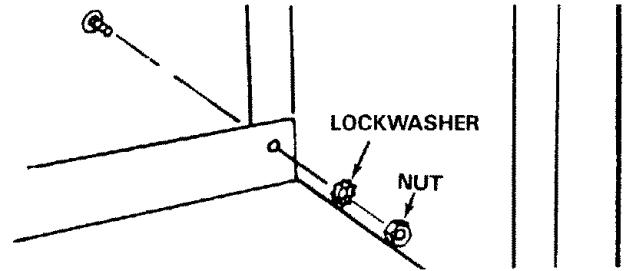


5. Locate the two(2) skirts, eight(8) truss head bolts, lockwashers and hex nuts. Assemble one(1) skirt to the front of the cabinet using four(4) bolts, lockwashers and nuts. Hand tighten only. Stand the cabinet upright and assemble the rear skirt to the cabinet using two(2) truss head bolts lockwashers and nuts using the top two holes only. From inside the cabinet insert two bolts out through the two remaining holes in the rear skirt. Install lockwashers and nuts hand tightened only.

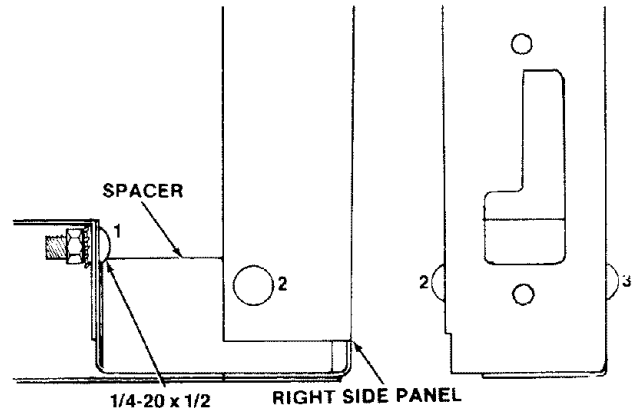


MODEL 113.248510

6. Secure rear of shelf to right side and left side panels using (2) 1/4-20 x 1/2 truss head bolts and hex nuts. Hand tighten only.



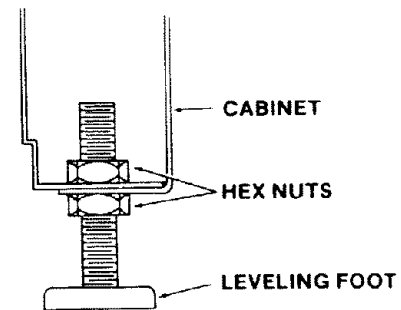
7. Locate the right and left side spacers, the six (6) 1/4-20 x 1/2 truss head bolts, lockwashers, and hex nuts. Position the spacer inside the right and left side panels and fasten in the three holes as illustrated. Tighten nuts using a 7/16-inch wrench or socket.



8. Locate four (4) leveling feet and eight (8) 3/8-16 hex nuts. Attach the leveling feet to bottom of side panels in front and rear as illustrated. Hand tighten hex nuts.

WARNING: TO AVOID INJURY FROM UNEXPECTED SAW OR WORK MOVEMENT, LEVELING FEET MUST BE ADJUSTED SO THAT SAW DOES NOT ROCK.

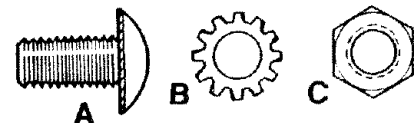
9. To adjust leveling feet so the saw will sit properly:
- Move saw to desired location.
 - With 9/16-inch wrench loosen bottom nut.
 - Back off top nut by hand.
 - Raise or lower foot by adjusting bottom nut using 9/16-inch wrench.
 - Snug top nut against inside of leg by hand.
 - Adjust all four feet as necessary then tighten all four bottom nuts using a 9/16-inch wrench.



MOUNTING THE SAW TO THE CABINET

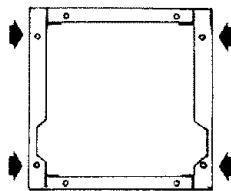
1. From loose parts bag find the following hardware:

ITEM	DESCRIPTION	QTY.
A	Truss Head Bolts 1/4-20 x 1/2	4
B	Lockwashers External 1/4	4
C	Hex Nuts 1/4-20	4

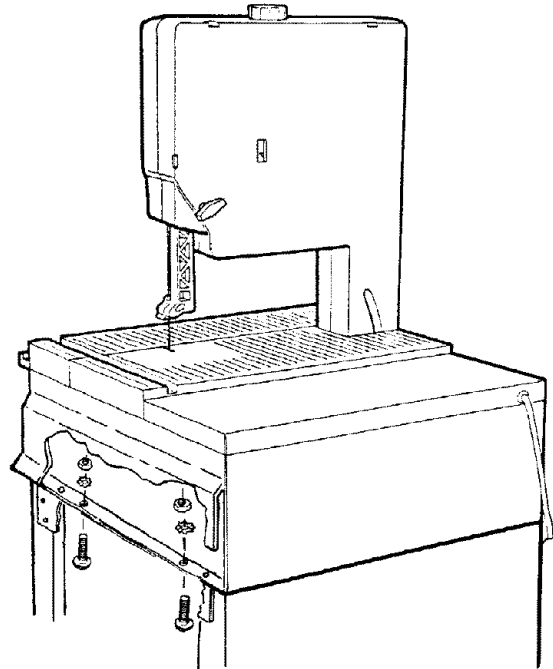


MODEL 113.248510

2. Place saw on cabinet so that holes in bottom of saw line up with holes in top of cabinet.
3. Install bolts, lockwashers, and nuts as shown. Tighten securely using a 7/16-inch wrench or socket. The front two bolts hold the saw, lower wheel cover, and the cabinet together. Install these bolts from the bottom side.
4. After the band saw has been mounted to the cabinet, go back and tighten all the nuts that were previously hand tightened using a 7/16-inch wrench or socket.



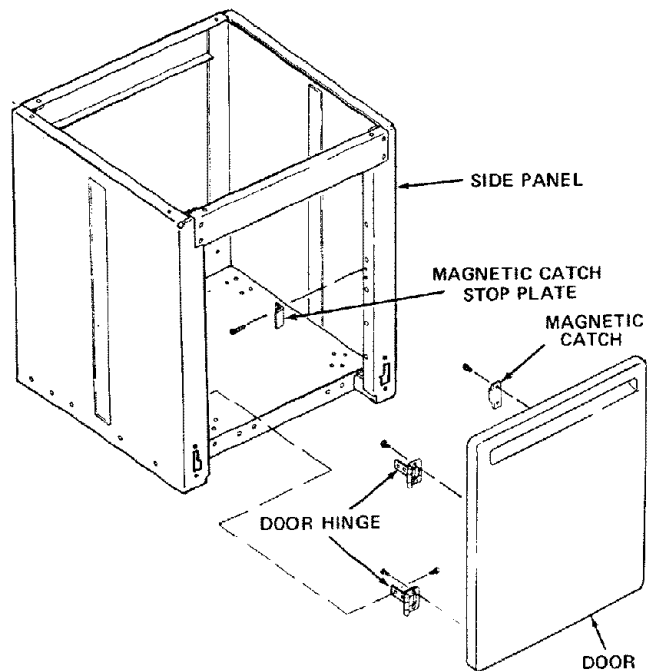
FRONT



MOUNTING DOOR

Tools needed: 7/16" wrench or socket and phillips screwdriver.

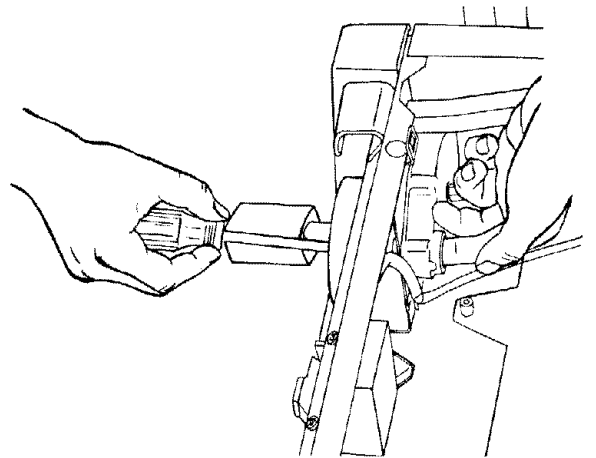
1. Locate the two (2) door hinges and four (4) 10-10 x 1/2 plastite screws. Mount hinges on either side of the door with phillips screwdriver.
2. Locate the four (4) truss head bolts, lockwasher and hex nuts to attach door hinges to the side panel. Tighten hex nuts with a 7/16" wrench or socket.
3. Locate the magnetic catch, the magnetic catch stop plate, two (2) 6-10 x 1/2 pan head screws and two (2) 6-32 x 3/8 pan head screws. Attach the magnetic catch to the door with the two (2) 6-10 x 1/2 pan head screws using a phillips screwdriver. Attach the magnetic catch stop plate to the side panel opposite the side the hinges are to be mounted. Use the two (2) 6-32 x 3/8 pan head screws to mount stop plate. Adjust the stop plate if necessary with phillips screwdriver for desired closure.



ALL MODELS

ATTACHING THE HANDWHEEL

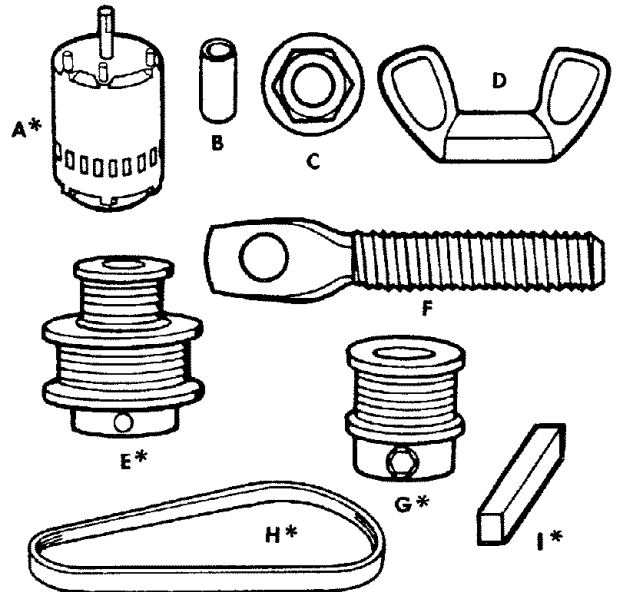
1. From loose parts bag find one (1) pan head screw 10-32 x 2 and one (1) hex nut. Install the handwheel. Reach inside the base to the back side of the bevel mechanism and put the nut in place. Hold the nut in place with a finger. Install the screw through the center of the handwheel and tighten with a phillips screwdriver.
2. Hold the handle and pull the red release button with your finger to close the handle.



MOUNTING THE MOTOR

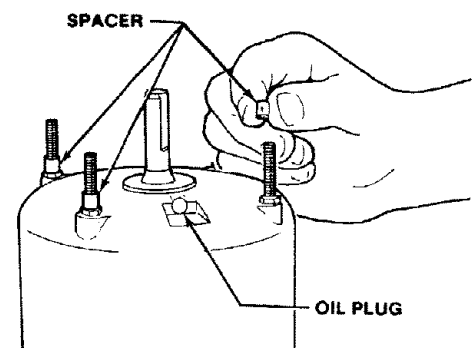
1. Find the following parts:

ITEM	DESCRIPTION	QTY.
A	Motor	1
B	Spacer (1/4 O.D. x 5/16)	3
C	Flanged Locknut #10-32	4
D	Wing Nut 5/16-18	1
E	Motor Pulley w/Set Screw (Model 113.248320, 113.248440, 113.248510)	1
F	Belt Tension Stud	1
G	Motor Pulley w/Set Screw (Model 113.248210)	1
H	Poly "V" Belt	1
I	Key 3/16 Sq. x 15/16 (Model 113.248320, 113.248440, 113.248510)	1



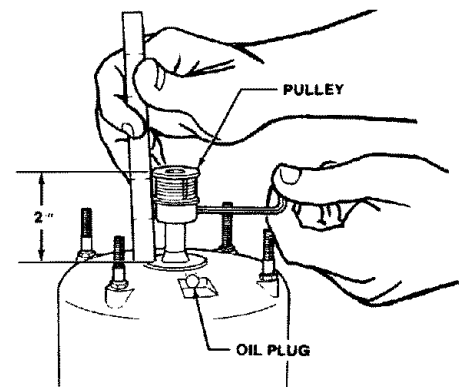
* NOT SHOWN TO SCALE

2. Place the three (3) spacers onto the three motor studs as shown. Pay attention to where the oil plug is located. No spacer goes on the fourth motor stud.



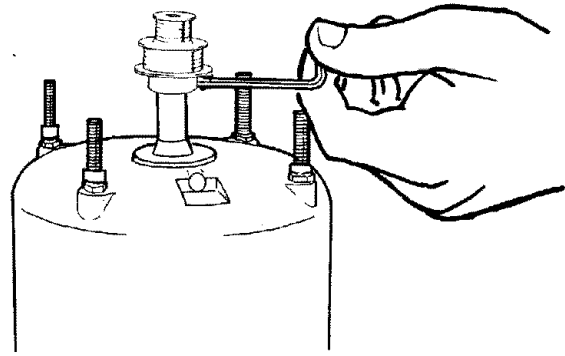
MODEL 113.248210 ONLY

3. Install the motor pulley onto the motor shaft with the set screw boss toward the motor. Position the outer face of the pulley 2 inches from the end shield of the motor and tighten the set screw against the flat side of the motor shaft using a 1/8-inch hex "L" wrench.



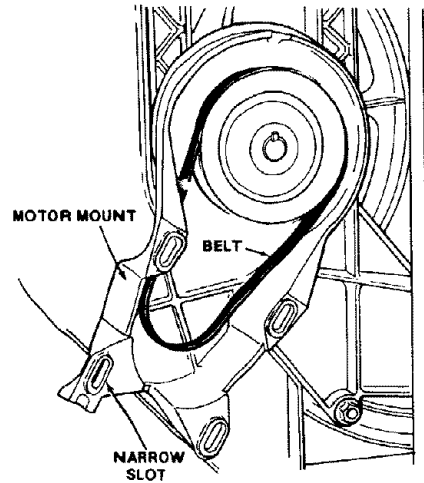
**MODELS 113.248320,
113.248440, and
113.248510**

4. Locate the correct motor pulley (Model 113.248210 has a "one-step" pulley). Place the shaft key into the groove on the motor shaft. Align the groove in the pulley with the shaft key and install the motor pulley on the motor shaft with the setscrew boss toward the motor.

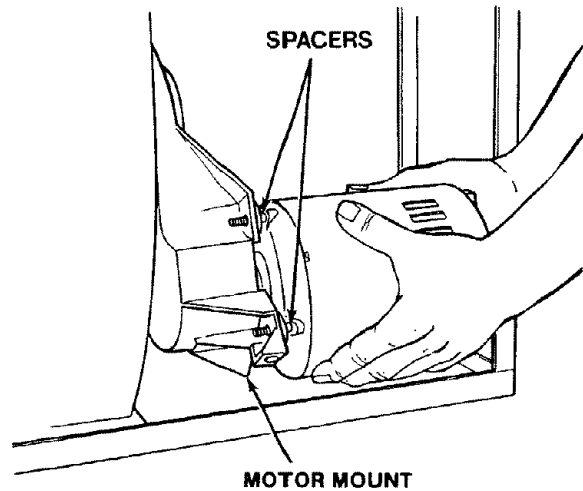


ALL MODELS

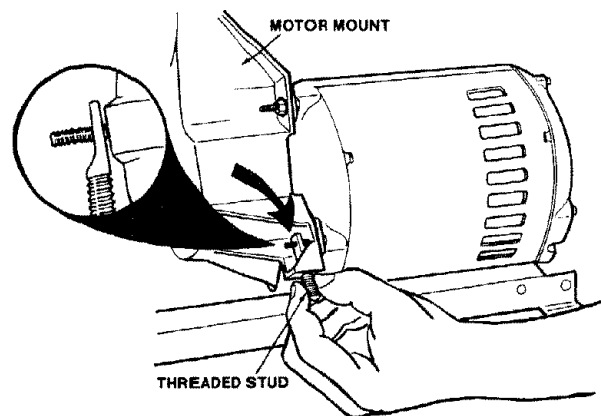
5. Place the Poly "V" belt into the motor mount as shown on the underside of the band saw.
6. Look at the motor mount and find the slot that is narrower than the other three. When mounting the motor, the motor stud without a spacer goes into this slot.



7. Carefully position the motor so that the poly "V" belt is around the motor pulley and the four motor studs align with the slots in the motor mount.
8. Push motor studs through and install the flanged lock nuts to the three (3) motor studs with spacers. Start the flanged nuts by hand only at this time.

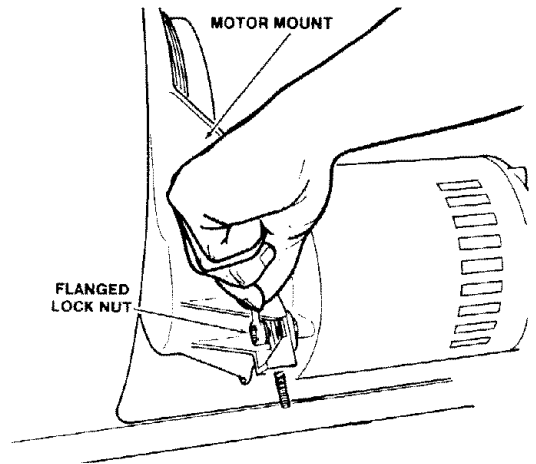


9. Install the threaded stud through the hole in the lower leg of the motor mount and over the motor stud as shown.

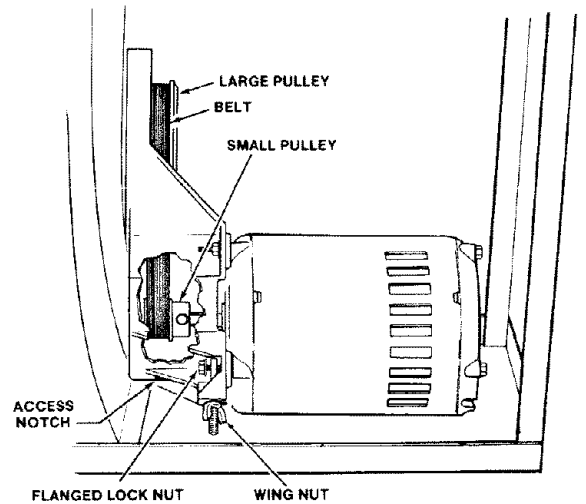


10. Install a flanged lock nut onto this motor stud. Tighten the flanged lock nuts, using a $\frac{3}{8}$ -inch wrench, until almost tight. It will be easier to tighten lock nuts if the head is tilted to approximately 45° . See page 34 for instructions on tilting head.

NOTE: Do not over-tighten the flange nuts. The motor should slide in the grooves to allow tensioning of the belt.



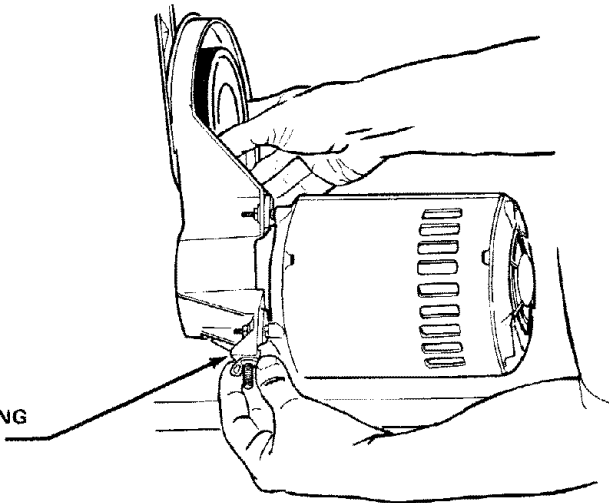
11. Install the wing nut on the threaded stud.
12. Check that the poly "V" belt is on both pulleys being sure that it is centered on each pulley.
13. Check that the pulleys are in line by sighting down the side of the large pulley to see if it lines up with the small pulley. If the pulleys are not in line, loosen the set screw holding the pulley on the motor shaft and position the pulley. A notch in the small end of the motor support is provided for access to the set screw and belt.



14. Belt tensioning is done by tightening the wing nut which pulls the motor down. The motor slides on the three (3) spacers and is locked in place by the flanged lock nut at the threaded stud.

Belt tension is important. Over tensioning may cause vibration while too little tension may allow the belt to slip under heavy loads.

TIGHTEN FLANGE NUT AFTER TENSIONING BELT WITH WING NUT



ALL MODELS

CONNECTING THE MOTOR

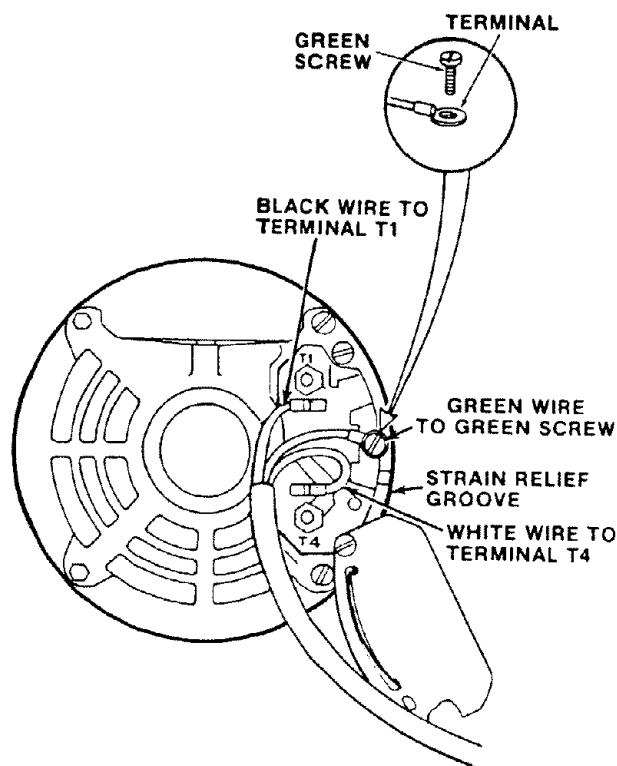
1. Next, the motor cord needs to be wired into the motor. Coming from the underside of the table will be a cord with a black, white and green wire. This is the motor cord.

WARNING: FOR YOUR OWN SAFETY, NEVER PLUG THE SAW IN UNTIL ALL ASSEMBLY STEPS ARE COMPLETED.

2. Loosen the two screws holding the connector box cover on the back side of the motor. Swing the cover open.
3. Install the green ground wire by removing the green grounding screw and inserting it through the round metal terminal on the green ground wire of the motor cord. Reinstall the green screw into the hole from which it was removed and tighten securely.

WARNING: TO AVOID ELECTROCUTION, NEVER CONNECT ANYTHING BUT THE GROUND WIRE (COLORED GREEN) TO THE GREEN SCREW.

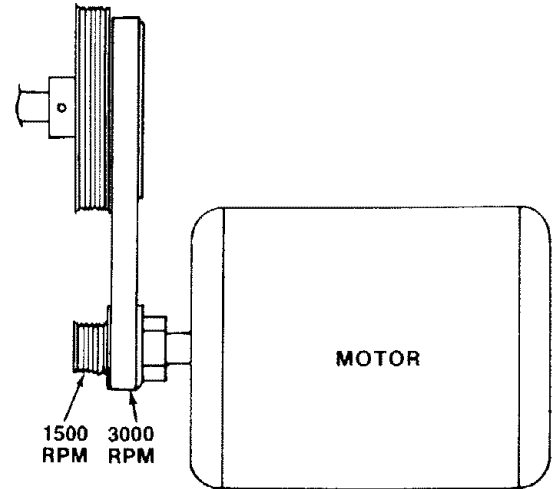
4. Insert terminal end of WHITE wire on spade terminal marked T4 on the motor. Push terminal firmly until seated.
5. Insert terminal end of BLACK wire on spade terminal marked T1 on the motor. Push terminal firmly until seated.
6. Close motor connector box being sure that power cord is seated in the largest strain relief groove and tighten box cover screws.
7. DO NOT plug in power cord.



MODEL 113.248320, 113.248440 & 113.248510

SELECTING BLADE SPEED

The band saw has two speed settings: 3000 FPM for normal operation and 1500 FPM for operation requiring more control of the work piece.



RECOMMENDED SPEED SETTINGS

1. 3000 Feet per Minute

- Basic Wood Cutting.
- Resawing

Most effective with skip tooth, hook tooth, and regular tooth blades.

2. 1500 Feet per Minute

- Intricate Wood Cutting
- Veneers, Tile, Plastics
- Non-Ferrous Metals (Brass, Copper, Aluminum)*

Most effective with blades that have 15 teeth per inch.

CAUTION: This band saw will not cut steel. Steel cutting requires the blade speed to be 140 FPM.

*Must use recommended blade for non-ferrous metals.

CHANGING SPEED SETTINGS

WARNING: TO AVOID INJURY FROM UNEXPECTED STARTING OR ELECTRIC SHOCK, DO NOT PLUG THE SAW IN. THE POWER CORD MUST REMAIN UNPLUGGED WHENEVER YOU ARE WORKING ON THE SAW.

- Release tension on the poly "V" belt by loosening the wingnut.
- Push the motor up to create slack in the "V" belt.
If the motor does not slide up easily, slightly loosen the four (4) flanged lock nuts that are holding the

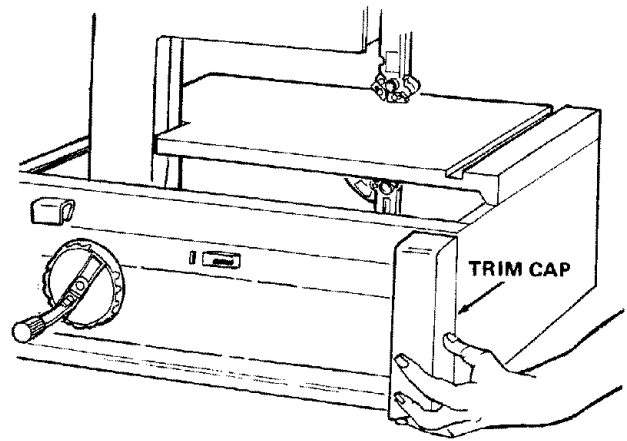
motor to the motor mount.

- While still holding the motor up reposition the "V" belt.
When changing speeds from 1500 to 3000 FPM remove the belt from the band saw pulley first. When going from 3000 to 1500 FPM remove the belt from the motor pulley first.
- Reapply tension to motor belt by tightening the wingnut.

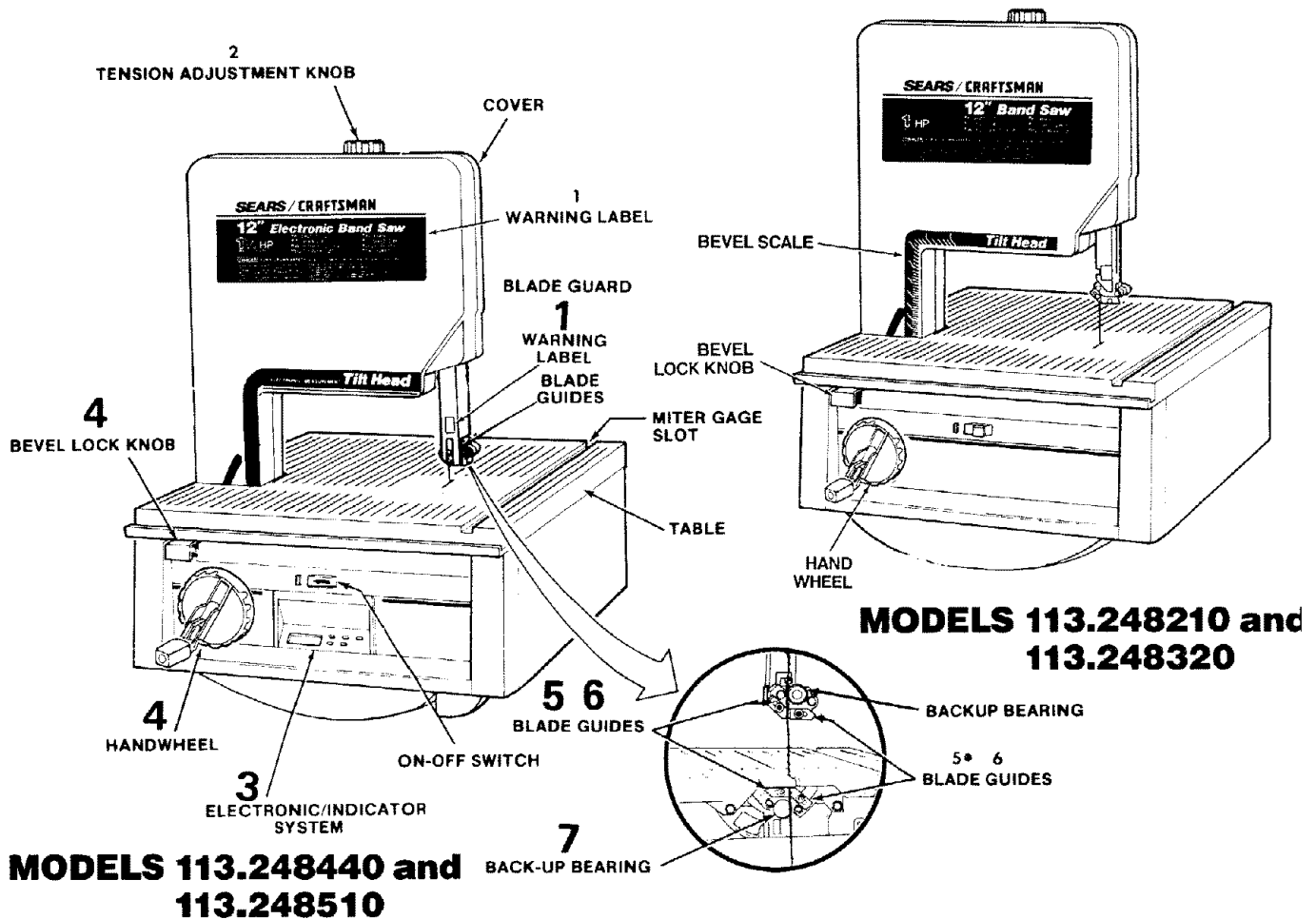
ALL MODELS

ATTACHING TRIM CAPS

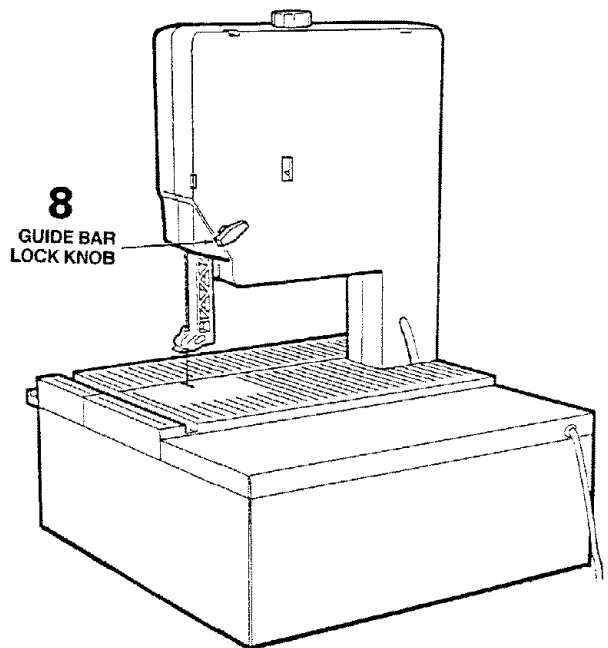
1. Find the left and right trim caps.
2. There are two plastic stubs on the back of each trim cap.
3. These stubs will snap into matching holes at the front corner of each saw.
4. Snap the left & right trim caps in place.



getting to know your band saw



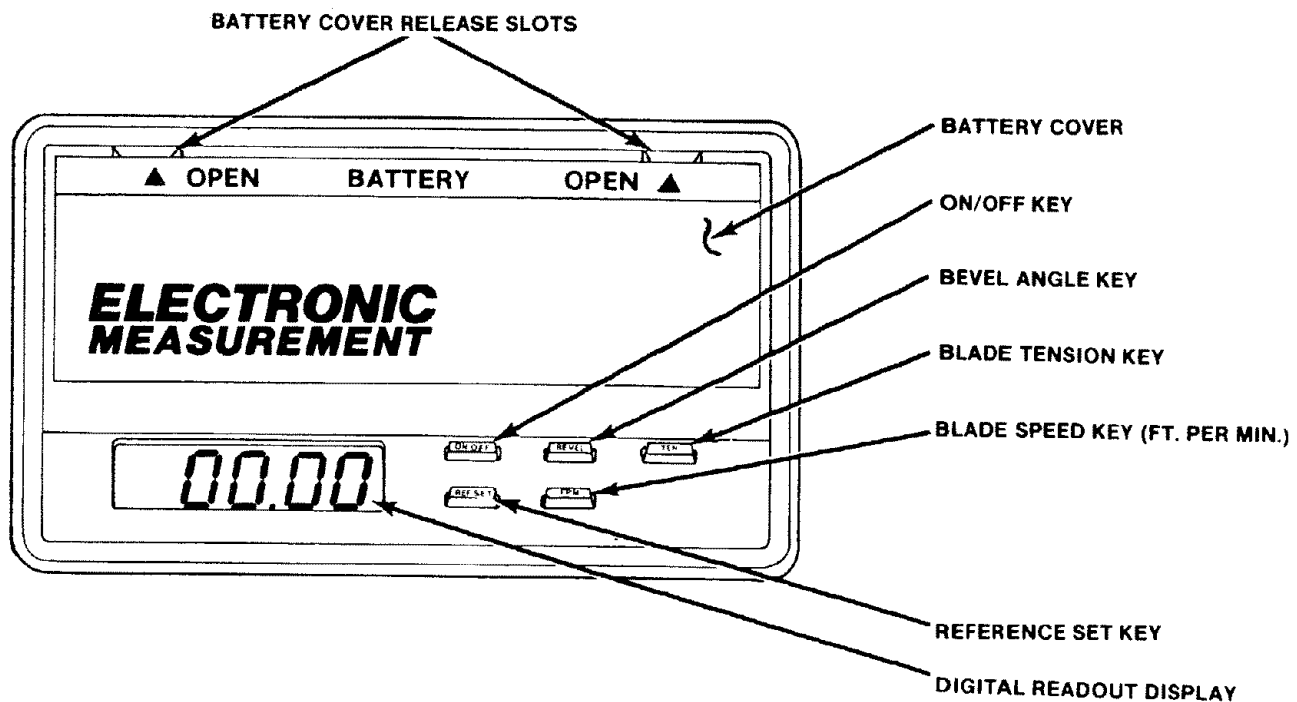
1. **Warning Label**
2. **Tensions adjustment knob**—Tightening the knob will increase the tension on the blade. Loosening it will decrease the tension. Clockwise to tension, counter clockwise to loosen.
3. **Electronic Indicator System**—(Models 113.248440 and 113.248510) Digital readout for blade tension, bevel angle and blade speed (FPM).
4. **Setting Bevel Angle**—Pull the bevel lock knob and adjust the band saw to the desired angle by turning the handwheel, then push in the bevel lock to secure.
5. **Blade Guide Adjustment**—The guides can be adjusted in or out for various widths of blades and locked in place by the set screws.
6. **Lateral Blade Guide Adjustment**—The guides can be adjusted sideways and locked in position by the capscrews to prevent the blade from twisting during operation.
7. **Blade Backup Bearing Adjustment**—The thrust bearings can be adjusted in or out for various widths of blades and locked in place by the setscrews.
8. **Guide Bar Lock Knob**—The upper blade guides should just clear the workpiece while cutting. Always adjust the guides before turning on the band saw and lock the guide bar by tightening the knob.



ALL MODELS


location and function of the electronic indicator system

MODEL 113.248440 & 113.248510 ONLY



DIGITAL READOUT DISPLAY

The Liquid Crystal Display, or LCD, on this saw gives the user the ability to accurately position the blade and monitor the set-up. The three functions displayed are:

Bevel Angle - Shows the present angle of the blade to the table. The  key is used to set the zero degree point.

Blade Tension - Displays the blade size for which the tension has been adjusted.

Blade Speed - Displays the speed of the blade in surface feet per minute (FPM).

NOTE: The function being displayed is indicated by an abbreviated name of the function in the left hand area of the display; either BEV, TEN, or FPM.

BATTERY COVER

The Battery Cover covers the battery compartment. To release the cover, insert a small coin into one of the release slots and twist. Remove the cover.

1. Installing the Battery

The battery is supplied with the loose parts. It is a 6-volt, type J alkaline battery. Install the battery with the contact end down and the "+" terminal towards the left. Push the battery down and back until the top edge of the battery is caught under the ribs in the compartment. Do not force the battery. If it doesn't push in easily, remove the battery and check that it is positioned correctly.

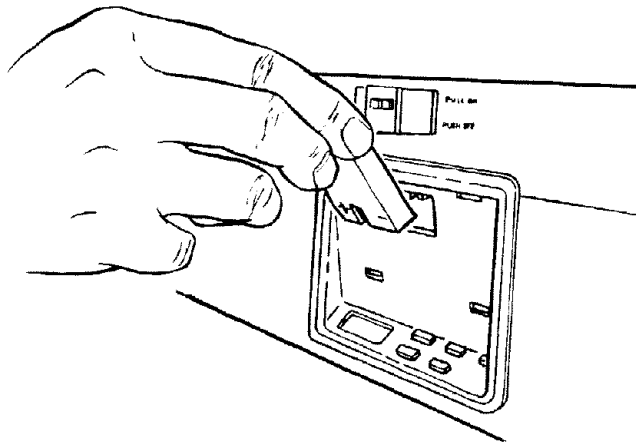
2. Reinstall battery cover by inserting the tabs on the lower edge of the cover into the mounting holes in the control and pushing the cover into position.

FUNCTION KEYS

The five keys located to the right of the display are the function keys. They are:

- ON/OFF** — Turns the display "On" or "Off"
- BEVEL** — Selects the Bevel Angle display
- TEN** — Selects the Blade Tension display
- FPM** — Selects the Blade Speed display
- REF SET** — Sets the Bevel Angle to Zero

NOTE: In order to extend battery life the display will shut off approximately five (5) minutes after the last key was pressed.



USING THE ELECTRONIC INDICATOR SYSTEM

1. Setting the Bevel Angle Reference Point.

Whenever the battery is installed or a new zero point is desired, it is necessary to set the zero reference. Normally the zero reference is set with the blade vertical to the table. When the blade is in the desired position for the zero point do the following.

- a. Press the **ON/OFF** key if display is off.

- b. Press the **BEVEL** key, then the **REF SET** key.

c. Display should read: **BEV 0.0**

2. Selecting Blade Tension

- a. Press the **ON/OFF** key if display is off.

- b. Press the **TEN** key.

c. The digital display will show one of seven tension settings. Turn the tension knob until the correct read-out appears for the blade or sanding belt you have selected.

Read-out	Indicates correct tension for:
L	Loose - no tension
S	Sanding Belt
.125	1/8" blade
.250	1/4" blade
.375	3/8" blade
.500	1/2" blade
E	Overtensioned

3. Blade Speed

The digital display will read out one of two starting speeds, depending on where the motor belt is positioned on the pulleys. The two starting speeds are 3000 FPM and 1500 FPM. The speed ranges for each starting point are:

3000	1500
2800	1400
*2600	*1300
2400	1200
2200	1100
2000	1000

The band saw motor will stall if the blade speed drops two steps* below operating speed.

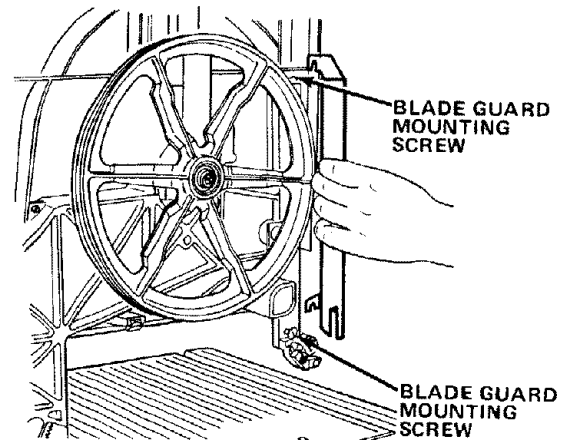
NOTE: It is important to maintain maximum cutting efficiency by keeping the blade speed as fast as possible. Do not feed the work piece too rapidly. It will overload the motor and stall the blade.

ALL MODELS

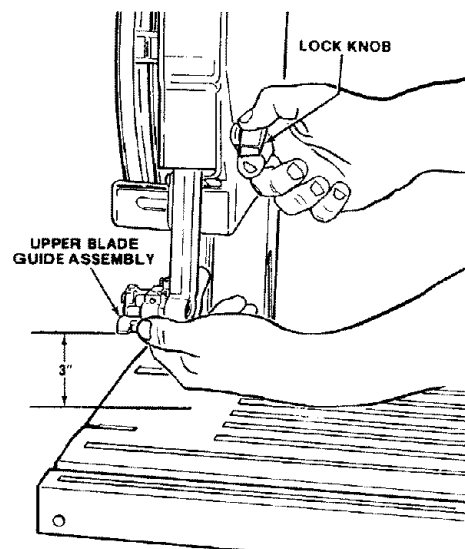
INSTALLING THE BLADE

WARNING: TO AVOID INJURY FROM ACCIDENTAL STARTING, MAKE SURE THE POWER CORD IS UNPLUGGED BEFORE REMOVING ANY PART FROM THE SAW.

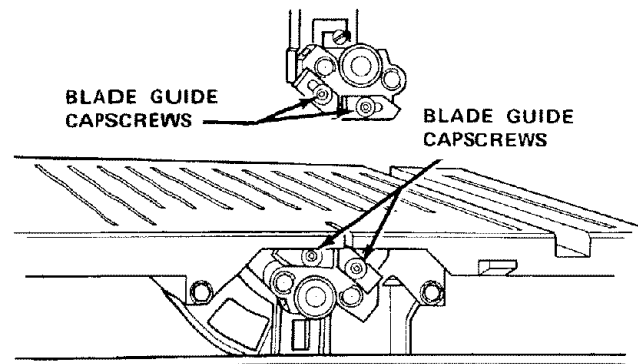
1. Remove the blade guard by loosening the two (2) mounting screws with a phillips screwdriver and lifting the blade guard upward.



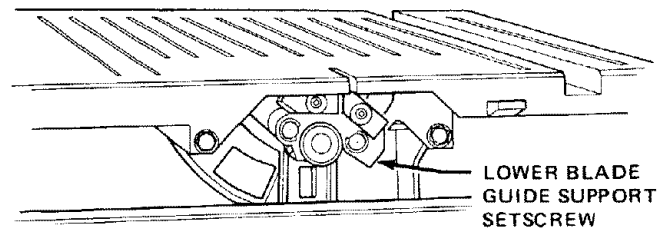
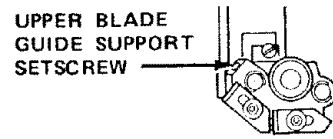
2. Loosen the upper blade guide assembly and lower to approximately 3 inches above rear table and retighten lock knob. This is necessary to make adjustments to blade guide and back up roller bearing.



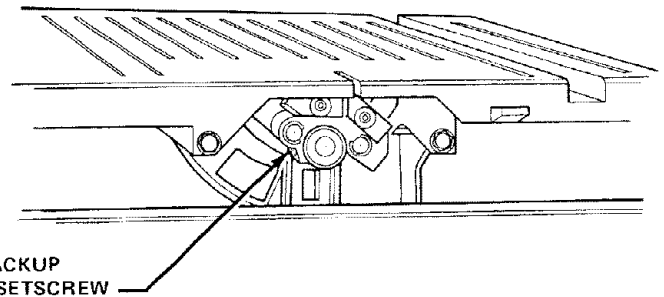
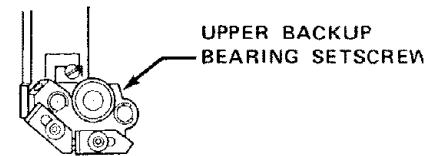
3. Loosen the two capscrews that lock the upper blade guides using a 1/8-inch hex "L" wrench and separate them about 1/8-inch. Repeat the same step for the lower blade guides.



4. Loosen the setscrew which locks the blade guide support and push the support all the way back. Repeat for lower blade guide support.



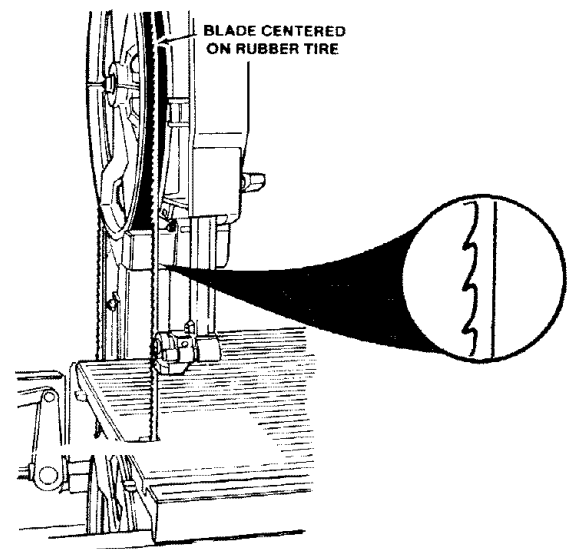
5. Loosen the setscrew which locks the upper backup bearing and push the bearing all the way back. Repeat procedure for lower back up bearing.



WARNING: TO AVOID SERIOUS EYE INJURY OR SCRAPES IF THE BLADE SHOULD SUDDENLY UNCOIL, WEAR SAFETY GOGGLES. CAREFULLY UNCOIL THE BLADE HOLDING IT AT ARMS LENGTH.

6. Uncoil the blade.
7. Place the blade over the wheels with the teeth pointing downwards toward the table as shown. Make sure the blade is between the blade guides and is in the center of the rubber tires.

NOTE: If the blade will not reach around both wheels, lower the upper wheel by turning the tension knob counterclockwise.



MODEL 113.248210 & 113.248320

ALIGNING THE BLADE AND BLADE GUIDE ASSEMBLIES

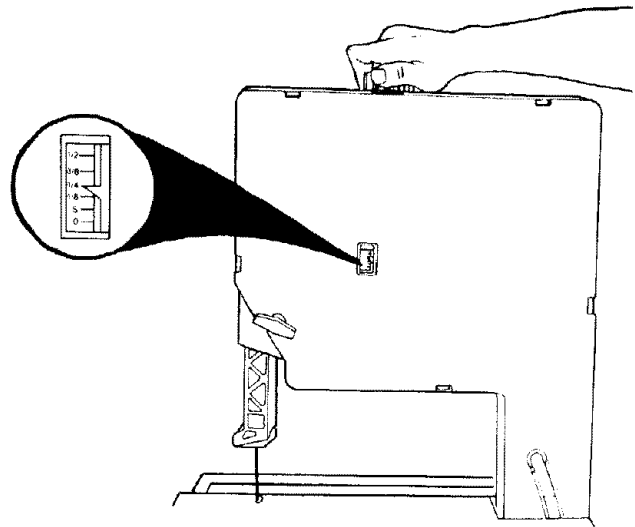
This band saw comes equipped with a 1/4-inch blade. This band saw can be used with blades of width from 1/8-inch to 1/2-inch. The alignment steps must be followed for proper tension, blade guide, and bearing adjustments for each different blade.

Refer to the blade usage section for the recommended blade size for best results during most band saw operations.

NOTE: It is critical to the life of the blade that the following steps are followed. Premature blade breakage will result if these steps are omitted.

- 1A. Turn the tension knob until the tension scale indicates 1/4-inch position. This will set the correct tension for a 1/4-inch blade.

WARNING: TO AVOID INJURY FROM UNEXPECTED STARTING OR ELECTRICAL SHOCK, DO NOT PLUG THE SAW IN. THE POWER CORD MUST REMAIN UNPLUGGED WHENEVER YOU ARE WORKING ON THE SAW.



MODEL 113.248440 & 113.248510

ALIGNING THE BLADE AND BLADE GUIDE ASSEMBLIES

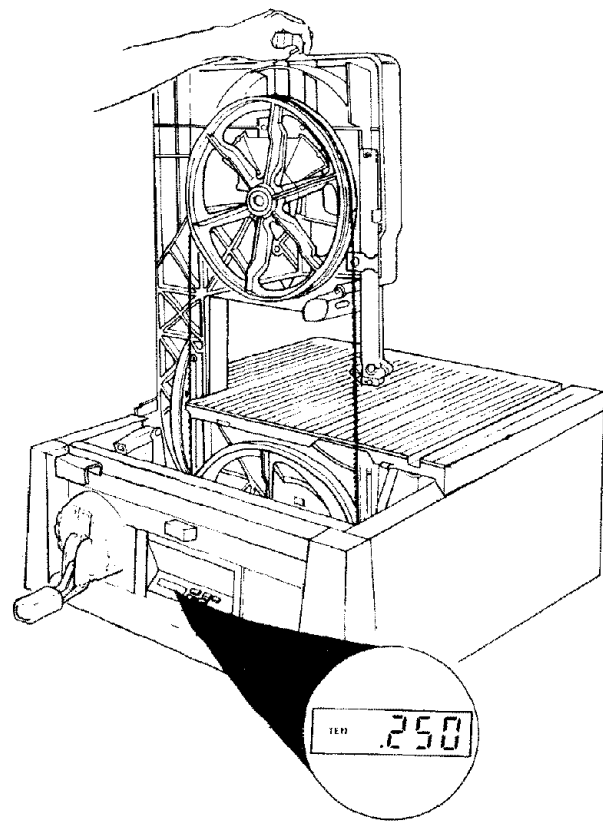
This band saw comes equipped with a 1/4-inch blade. This band saw can be used with blades of width from 1/8-inch to 1/2-inch. The alignment steps must be followed for proper tension, blade guide, and bearing adjustments for each different blade.

Refer to the blade usage section for the recommended blade size for best results during most band saw operations.

NOTE: It is critical to the life of the blade that the following steps are followed. Premature blade breakage will result if these steps are omitted.

- 1B. Turn on the digital display and push the **TEN** key. Turn the tension knob until the display reads .250. Turn the tension knob one additional turn. This will set the correct tension for 1/4-inch blade.

WARNING: TO AVOID INJURY FROM UNEXPECTED STARTING OR ELECTRICAL SHOCK, DO NOT PLUG THE SAW IN. THE POWER CORD MUST REMAIN UNPLUGGED WHENEVER YOU ARE WORKING ON THE SAW.



ALL MODELS

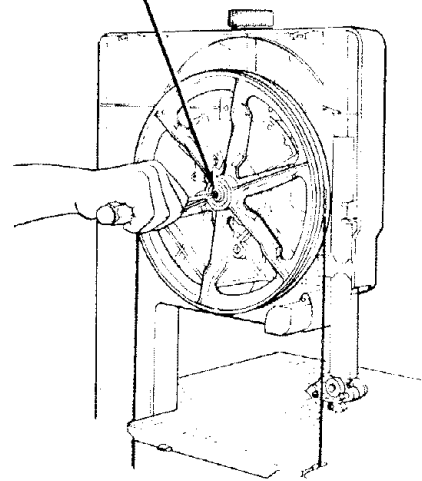
2. Turn the upper wheel by hand a few times and notice if the blade remains in the center of the tire on the top wheel.

If the blade moves away from the center of the tire while you are turning it, the blade is not tracking properly.

The top wheel shaft is hinged so the blade can be tracked. Tilt the wheel by turning the tracking adjustment screw using a medium screw driver. (See illustration.)

- a. If the blade moves toward the front of the band saw:
Turn the tracking adjustment screw clockwise about 1/4 of a turn, as though you were tightening it.
- b. If the blade moves toward the back of the band saw:
Turn the tracking adjustment screw counter-clockwise about 1/4 of a turn as though you were loosening it.
- c. Check adjustment by turning wheel by hand.

TRACKING ADJUSTMENT SCREW



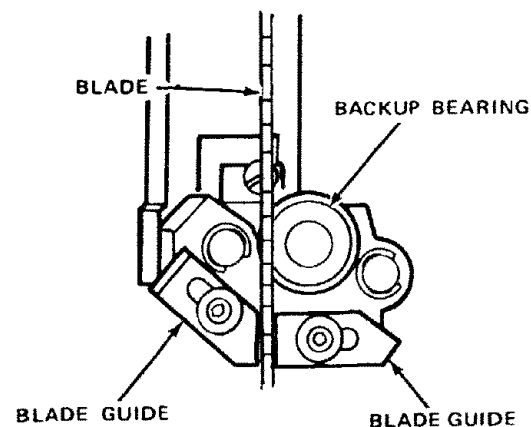
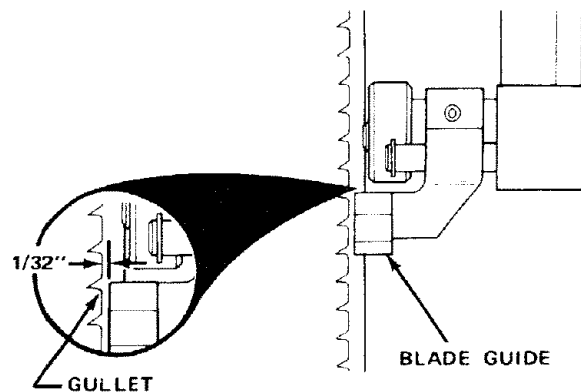
3. The upper and lower blade guides support the blade and keep it from twisting during operation. Adjust blade guide support whenever blades are changed or replaced with a different width.
4. Push the blade guide support toward the blade and adjust the blade guides so they are about 1/32-inch from the deepest part of the blade teeth. This deep part is called a gullet. Tighten the set screw locking the blade guide support. Turn the upper wheel, by hand, checking the position of the blade guide support.

NOTE: Letting the blade teeth hit the blade guides while using the band saw will ruin the blade. The set of the teeth and the sharpened edge of the teeth would be damaged. Proper adjustment of the upper and lower blade guide assemblies will prevent this from happening.

Repeat procedure for lower blade guide support.

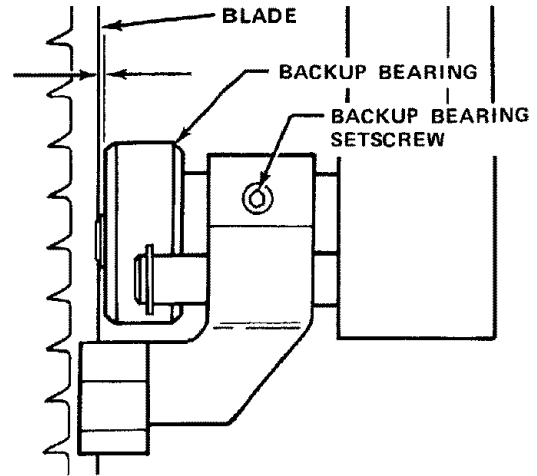
5. Slide the two blade guides evenly against the sides of the blade. Do not push the blade guides or pinch the blade guides against the blade. Rotate the upper wheel by hand so the blade travels downward. This leaves proper space for blade. Make sure one guide is not further from the blade than the other. Tighten both setscrews with a 1/8-inch hex "L" wrench. Repeat procedure for lower blade guides.

NOTE: The backup bearings support the blade from the rear and will spin when the blade is pushed against them while you are cutting. As soon as you stop cutting, the bearings should stop spinning.

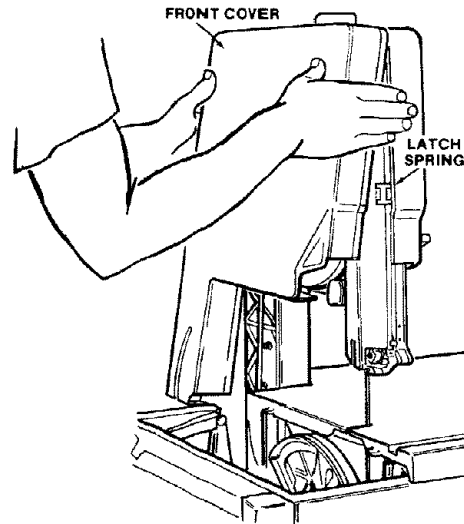


ALL MODELS

6. To insure the backup bearing is properly supporting the blade, push the bearing toward the blade until it almost touches it. Turn the upper wheel, by hand, checking the backup bearing to make sure it is not turning. If the bearing is turning the blade is too close. Move bearing slightly away from blade and tighten set screw with 1/8" hex "L" wrench. Turn upper wheel and recheck the bearing. Adjust again if necessary.
7. Repeat procedure for lower backup bearing.
8. Turn upper wheel by hand and check the blade guides and backup bearings to make sure they are adjusted correctly. Make any readjustments if necessary.
9. Install blade guard and tighten with phillips screwdriver. (See illustration, page 26.)

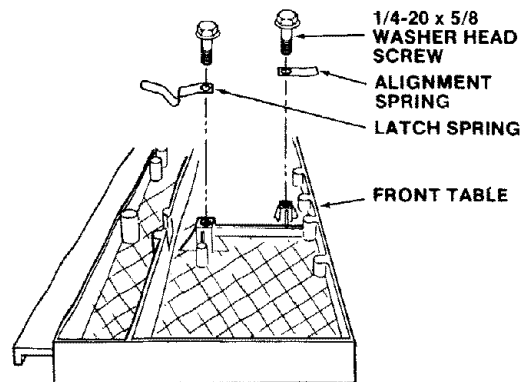


10. Install the front cover. Rest top edge of cover on two latch springs along the top edge of back cover. Swing cover down into position, engaging the three other latch springs. Push the front cover into position on the back cover. Check that the lip on the front cover completely overlaps the lip on the rear cover.

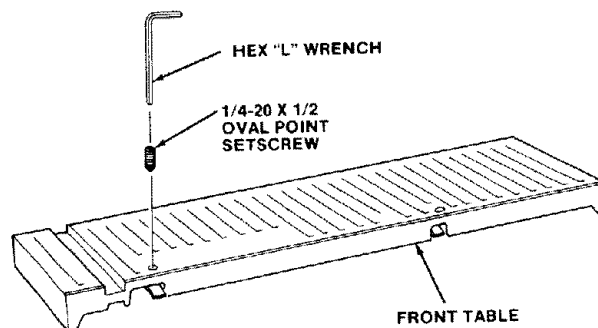


MOUNTING THE FRONT TABLE

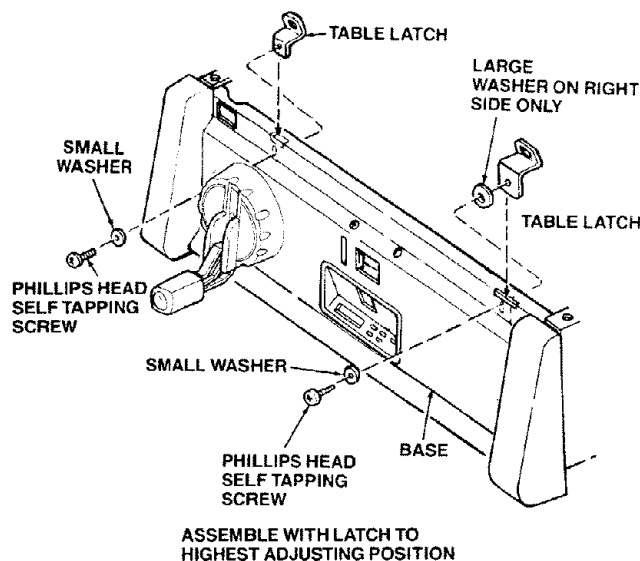
1. Turn front table over. Locate the two (2) latch springs, two (2) alignment springs, and the four (4) 1/4-20 x 5/8 hex washer head thread forming screws.
2. Install the two latch springs on the front table as illustrated using a 3/8-inch wrench or socket.
Install the two alignment springs on the front table as illustrated using a 3/8-inch wrench or socket.



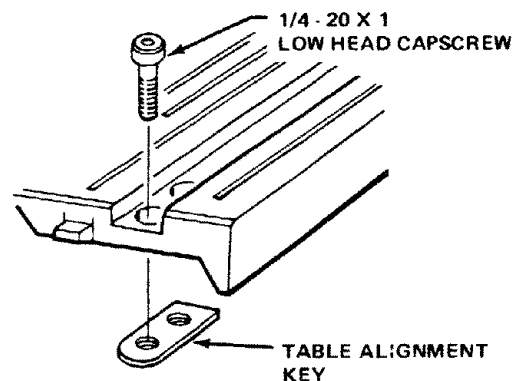
3. Locate the two (2) oval point setscrews 1/4-20 x 1/2 and use an 1/8-inch hex "L" wrench to install in the two holes, as illustrated, but do not allow the screws to extend beyond the underside of the table.



4. Locate the two (2) table latches, two (2) 3/8" long Phillips head self tapping screws, two (2) small washers, and one (1) large washer.
5. Place front table latch through slot on right side of bandsaw frame.
6. Tilt top of front table latch slightly forward and place large washer between bracket and bandsaw frame.
7. Place self tapping screw through small washer and attach to table latch. Do not completely tighten screw.
8. Attach left side table latch with self tapping screw and washer as shown.

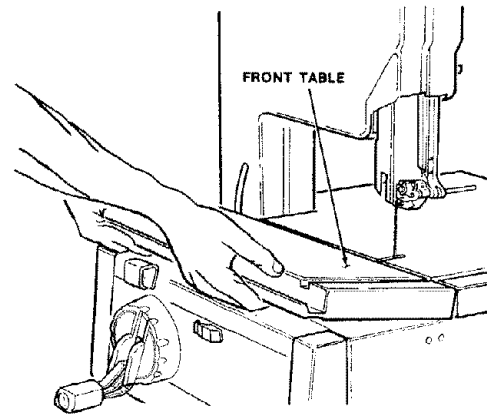


9. Locate the table alignment key and the two (2) 1/4-20 x 1 low head capscrews. Install the key under the rear table miter gage slot and install the two screws but do not tighten at this time.



ALL MODELS

10. Mount the front table to the base as follows:
 - a. Make sure front table latches are positioned up as high as they will go.
 - b. Hold the front edge of the table. Position the rear edge of the table so that the two flat springs slip under the two tabs on the rear table.
 - c. Line up the miter gage slots in the front and rear tables.
 - d. Push the front edge of the table backward and downward until the table snaps into position.



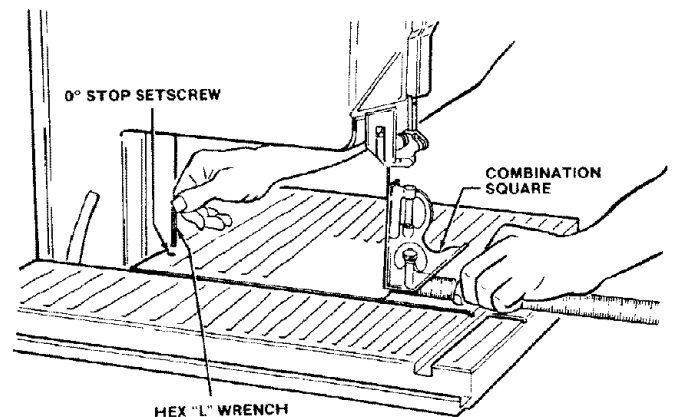
SQUARING THE BLADE TO THE TABLE

WARNING: TO AVOID INJURY FROM UNEXPECTED STARTING, MAKE SURE POWER CORD IS UNPLUGGED BEFORE MAKING ADJUSTMENTS TO BANDSAW PARTS.

To assure repeatability and accuracy, it is important to square the blade to the table and adjust the 0° position stop. This will guarantee that the blade will return to the square position after the head has been moved for a bevel cut.

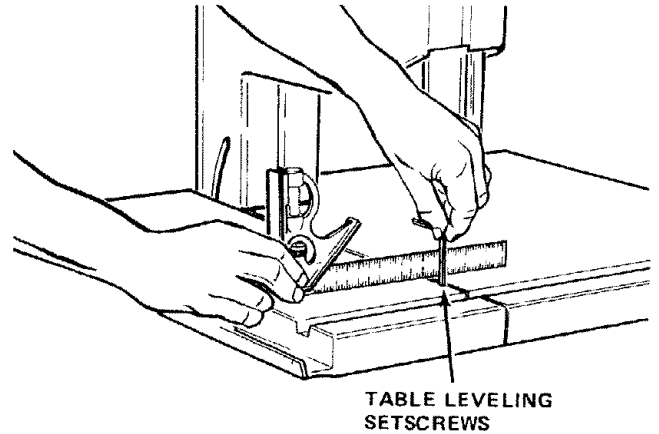
1. Locate the 1/4-20 x 1/2 oval point setscrew and use an 1/8-inch hex "L" wrench to install it in the hole located at the left front of the rear table. The setscrew has a lock patch that will make it hard to turn.
2. Slide the upper blade guard to its top most position and tighten knob.
3. Release bevel lock by pulling out bevel lock knob under left front edge of table.
4. Place a combination square on the table against the blade. Adjust the position of the blade to the table by turning the handwheel. When the blade is flush against the combination square lock the bevel lock knob. Use a 1/8-inch hex "L" wrench to set the 0° stop. Turn screw until it makes contact with the frame.
5. Unlock bevel lock, bevel the blade, then return to 0° position. Push in bevel lock knob and recheck blade to make sure it is square to the table.

NOTE: The combination square must be "true" — see the beginning of the unpacking and checking contents section for checking the combination square procedure.

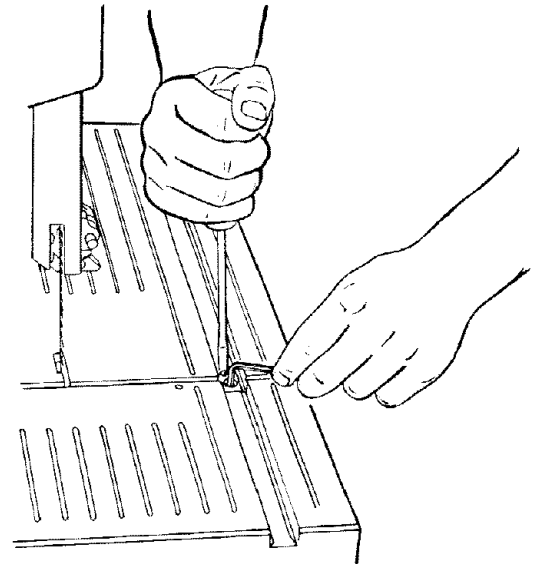


ADJUSTING FRONT TABLE

1. Adjust the front table so it is the same height as the rear table as follows:
 - a. Lay a straight edge across front table to rear table.
 - b. Gently tap the front table down until it is in line with the rear table.
 - c. Tighten the Phillips head self tapping screw once the front table is in the correct position.
 - d. If necessary adjust the two (2) oval point set screws (see Step 3) as needed to help line up the table.
 - e. Both the left and right sides of the front table should be adjusted simultaneously.



2. To keep the miter gage grooves in line, use a flat blade screwdriver against the head of one of the low head capscrews in the miter gage groove to force the table alignment key firmly forward into the notch in the front table.
3. While holding the alignment key into the notch, tighten the other capscrew. Remove the screwdriver and tighten the remaining screw. Check that the miter gage grooves line up.
4. Check the operation of springs and tabs by removing the front table and reinstalling. Remove the table by lifting up on two spring tabs under front edge of the table until springs are free, then pulling forward.



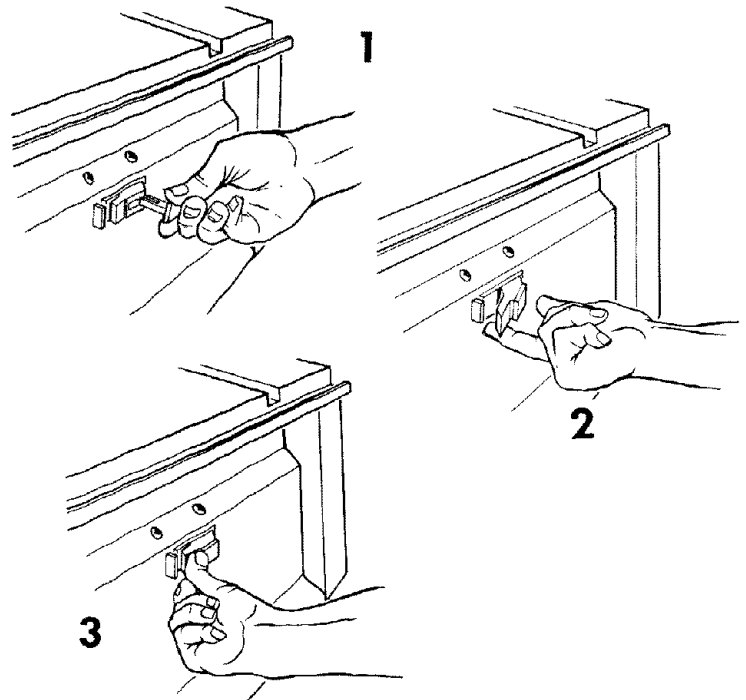
location and function of controls

ALL MODELS

ON-OFF SWITCH

NOTE: The On-Off switch has a locking feature. This feature is intended to help prevent unauthorized and possibly hazardous use by children and others.

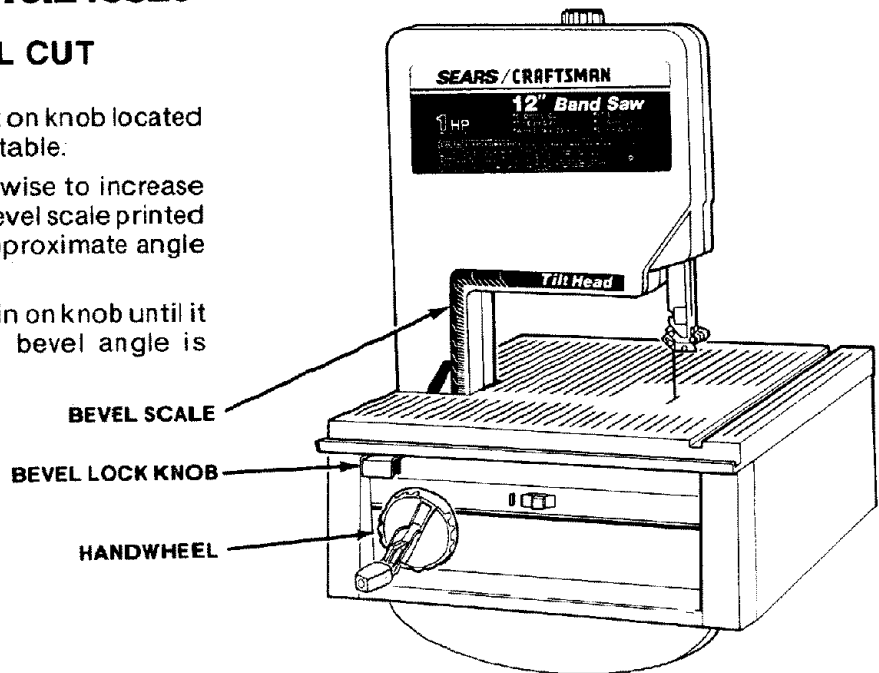
1. Insert yellow key into switch.
2. To turn on, insert finger under end of red switch lever and pull end out.
3. To turn off switch, push red lever in towards the base.
4. **WARNING:** The locking feature provided is to help prevent unauthorized use of your saw. Always remove the yellow key and keep it in a safe place. To remove yellow key, hold thumb on the end of red lever to keep switch in "Off" position and pull yellow key straight out.



MODEL 113.248210 & 113.248320

TILTING HEAD FOR BEVEL CUT

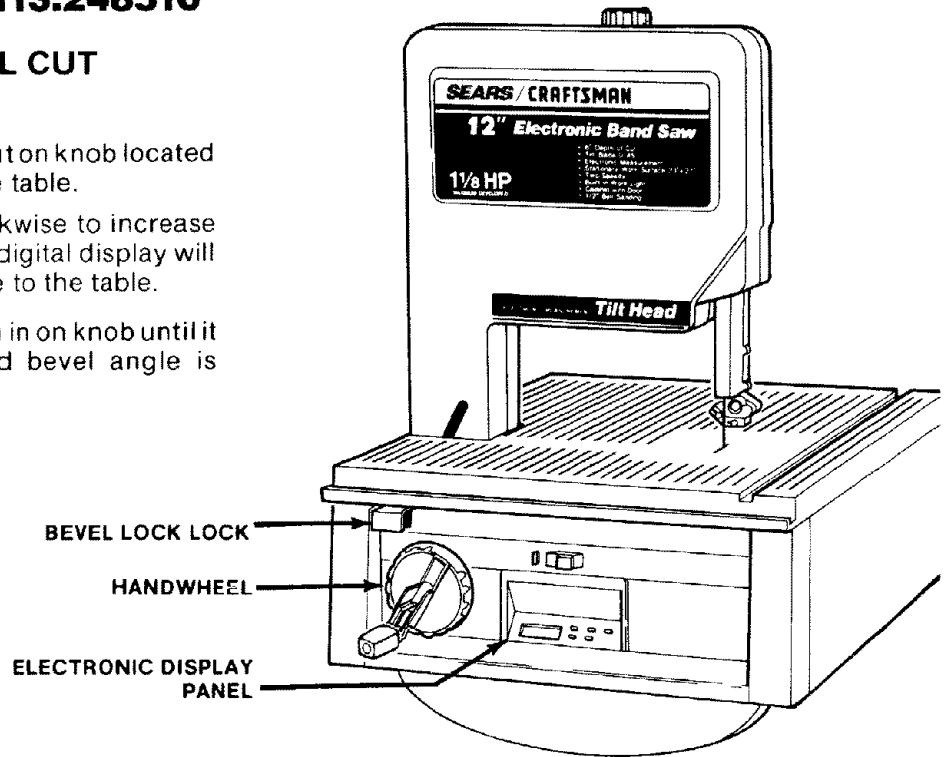
1. Unlock bevel lock by pulling out on knob located under the left front edge of the table.
2. Turn handwheel counter-clockwise to increase the tilt angle of the blade. The bevel scale printed on the front cover shows the approximate angle and is read at table level.
3. Lock the bevel lock by pushing in on knob until it is fully seated when desired bevel angle is reached.



MODEL 113.248440 & 113.248510

TILTING HEAD FOR BEVEL CUT

1. Unlock bevel lock by pulling out on knob located under the left front edge of the table.
2. Turn handwheel counter-clockwise to increase the tilt angle of the blade. The digital display will read out the angle of the blade to the table.
3. Lock the bevel lock by pushing in on knob until it is fully seated when desired bevel angle is reached.

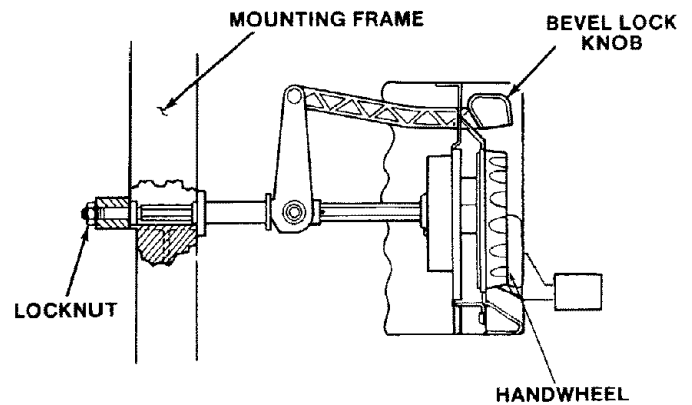


ALL MODELS

ADJUSTING BEVEL LOCK KNOB

The bevel lock knob is factory adjusted and set. If after repeated use it becomes necessary to adjust:

1. Pull the bevel lock forward and bevel the band saw to 25 degrees.
2. Use a 9/16-inch wrench or socket to adjust the locking nut behind the band saw mounting frame. Turn nut clockwise to tighten.
3. Recheck bevel lock knob and readjust if necessary.



basic band saw operation

ALL MODELS

WARNING: FOR YOUR SAFETY, COMPLY WITH ALL THE SAFETY INSTRUCTIONS ON PAGES 3-5 BEFORE USING THE BAND SAW.

A band saw is basically a "curve cutting" machine. It is not capable of doing inside cutting.

Your Craftsman Band Saw is not only capable of the usual band saw operations, but it can be converted into a sander as well. You can finish wood, certain compositions and plastics.

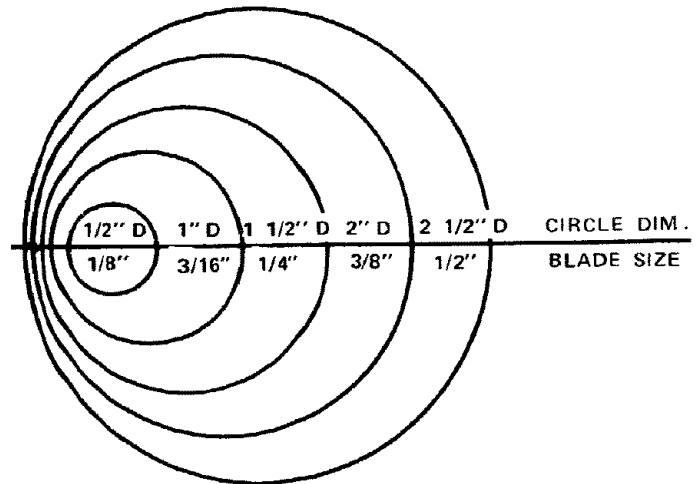
It is also used for straight-line cutting operations such as crosscutting, ripping, mitering, beveling, compound cutting, and resawing.

Operation	Recommended Blade Size (Inches)
Cross Cutting	1/4, 3/8, 1/2
Ripping	1/2
Mitering	1/4, 3/8, 1/2
Beveling	1/4, 3/8, 1/2
Compound Cutting	1/4, 3/8, 1/2
Circle Cutting	See Chart Below
Resawing	1/2
Curve Cutting	1/8, 1/4

BLADE SELECTION GUIDE FOR MINIMUM
CIRCLE CUTTING

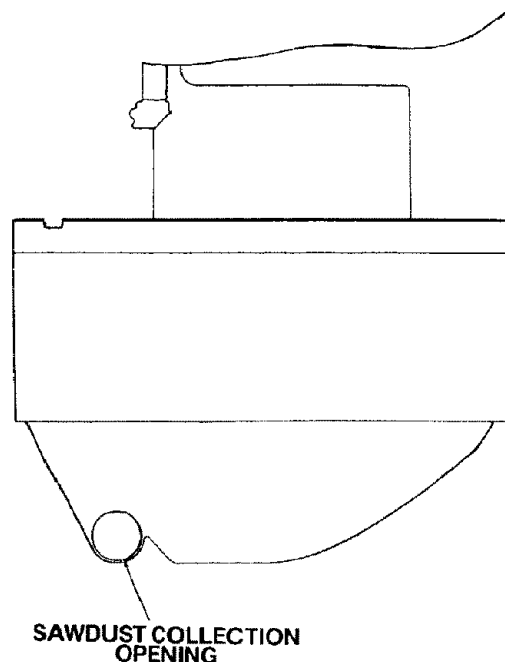
CIRCLE CUTTING

1. Adjust the upper guides to just clear the workpiece.
2. Use both hands while feeding the work into the blade. Hold the workpiece firmly against the table. Use gentle pressure, and do not force the work, but allow the blade to cut.
3. The smallest diameter that can be cut out is determined by the width of the blade. For example, a 1/4-inch wide blade will cut a minimum diameter of approximately 1-1/2-inch (see chart).



SAWDUST COLLECTION

1. There is an opening provided in the rear of the bottom cover to attach a 2-1/2-inch hose from a wet/dry vac to control sawdust.

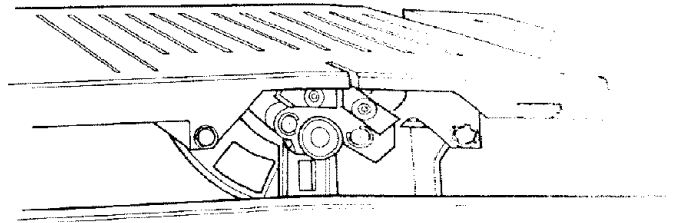
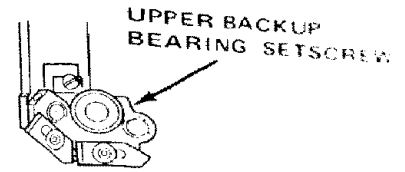


INSTALLING SANDING ATTACHMENT

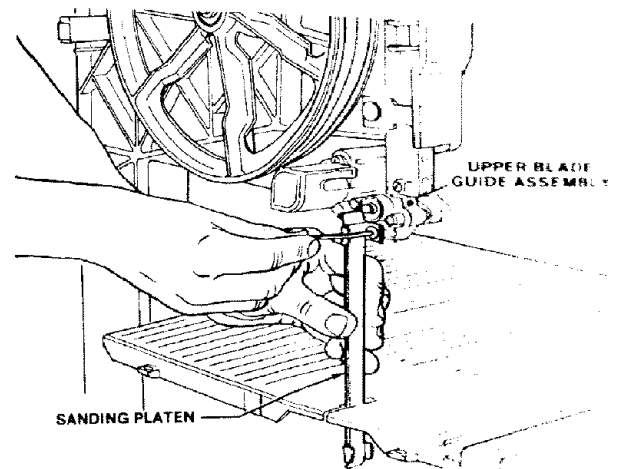
WARNING: TO AVOID INJURY FROM UNEXPECTED STARTING, MAKE SURE POWER CORD IS UNPLUGGED BEFORE MAKING ADJUSTMENTS TO BANDSAW PARTS.

NOTE: The sanding belt cuts very rapidly. Practice with some scraps of wood first before you attempt to sand your actual workpiece.

1. To install the sanding belt and sanding platen, remove the front table, front cover, blade guard, and the blade.
2. Use a 1/8-inch hex "L" wrench and remove the upper and lower right blade guides. The mounting screw used for the upper blade guide will be used to hold the sanding platen in place.
3. Loosen the setscrews that hold the upper and lower backup bearings in place and push the bearings all the way back. Tighten setscrews so bearings will remain.



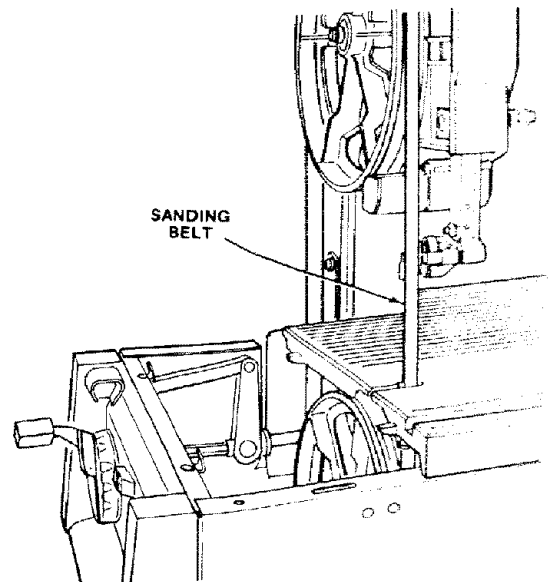
4. Slide the sanding platen into the blade slot in the table and fasten to the upper blade guide assembly where the right blade guide mounts. It may be necessary to loosen the left blade guide and slide it backwards until platen is in place.
5. Slide the upper left blade guide towards the sanding platen and tighten mounting screw securely.
6. Slide the lower left blade guide towards the sanding platen until the platen rests 1/8-inch away from the right edge of the slot in the work table.



INSTALLING THE SANDING BELT

1. Install the sanding belt and adjust tension to the sanding position. (The letter "S" on the scale.)
2. Rotate the upper wheel by hand (clockwise) to check the sanding belt tracking. Adjust tracking if necessary. (Reference the blade tracking section for tracking procedure.)
3. After tracking the sanding belt if the belt and the platen do not align loosen the upper blade guide support and slide the support in or out to align. Then tighten set screws to hold support and platen in place. It may also be necessary to adjust the lower blade guide support to align the blade guide with the sanding platen.

NOTE: A new sanding belt will stretch with use, so check the tension often.



Sears recommends the following Accessories

Caster Set for Leg Set	9-22222, 9-22221
Miter Gauge	9-29929
Hold-Down Clamp for Miter Gauge.....	9-29928
Stop-Rods for Miter Gauge	9-29924
Rip Fence	9-23402
Blades and Sanding Belts.....	See Catalog
Circle Cutting Attachment	9-23411
Power Tool Know How Handbooks	
Radial Saw (includes band saw section) ..	9-2917
Table Saw (includes band saw section) ...	9-2918

Sears may recommend other accessories not listed in the manual. See your nearest Sears store or Catalog department for other accessories.

Do not use any accessory unless you have received and read complete instructions for its use.

maintenance

ALL MODELS

WARNING: FOR YOUR OWN SAFETY, TURN SWITCH "OFF" AND REMOVE PLUG FROM POWER SOURCE OUTLET BEFORE MAINTAINING OR LUBRICATING YOUR BAND SAW.

Tires

Pitch and sawdust that build up on the tires should be removed with a stiff brush or scraped off with a piece of wood.

CAUTION: To avoid damaging the tires do not use a sharp knife or any kind of solvent.

When the tires become worn they should be replaced. When replacing the tires, stretch them around the wheels but do not glue them on.

ADJUSTING BAND SAW BEVEL TRAVEL

If the band saw will not hold its position when at a bevel angle, and before the bevel lock is locked, or if it is difficult to change the bevel angle, an adjustment is necessary to correct the force required to bevel the band saw.

To adjust the force required to bevel the band saw, locate the three (3) capscrews holding the frame to the motor mount. The capscrews are located in the recessed area behind the hub of the lower wheel at the 2 o'clock, 6 o'clock, and 10 o'clock positions. Use a 3/16-inch hexagonal "L" wrench that has a 4-inch leg, reach between the spokes of the lower wheel to the capscrews. Adjust the capscrews equally until the bevel action is smooth and the saw will hold its position before the bevel lock is locked.

ADJUSTING THE UPPER BLADE GUIDE TRAVEL

If the upper guide bar will not move up and down easily or falls when the lock knob is loosened, the following adjustment should be performed.

1. Remove the Guide Bar Lock Knob and the washer which is under it.
2. Using a 7/16" socket or wrench, tighten the nut which is under the washer to just tight.
3. Then loosen the same nut 1 turn.
4. Move the guide bar up and down to check for smooth movement while still holding its position when released.
5. Make further adjustments to the nut as required to get the guide bar to move smoothly and hold its position when released.
6. Reinstall the washer and Guide Bar Lock Knob.

General Maintenance

Keep your band saw clean. Remove the sawdust from the inside. Vacuum or blow out frequently.

Do not allow filth to build up on the table, the guides or the back-up bearings. Clean them with **Craftsman Gum and Pitch Remover**.

CAUTION: Do not immerse the backup bearings in the gum and pitch remover.

Put a thin coat of paste wax on the table so that the wood slides easily while cutting.

Light Bulb

To replace the light bulb remove the front cover. Use a phillips screwdriver to remove the lens and replace the bulb. The light bulb is a 25 watt bayonet mount bulb.

Motor

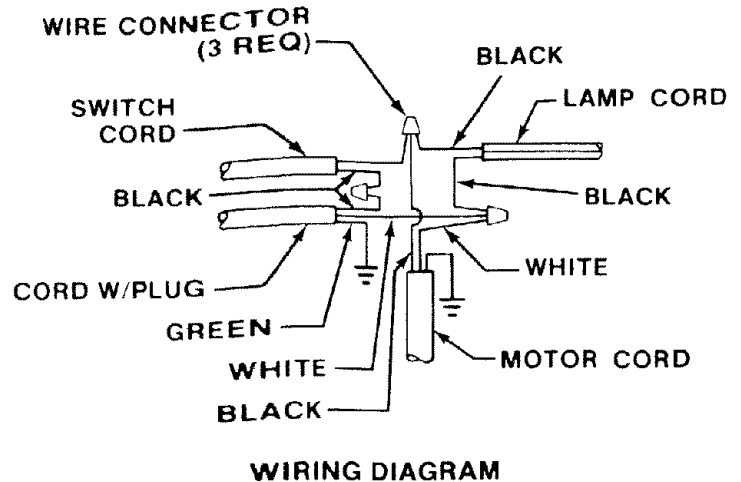
Frequently blow or vacuum out any sawdust from the motor. Follow lubrication instruction on the motor label.

WARNING: TO AVOID EYE INJURY FROM BLOWING DEBRIS, WEAR SAFETY GOGGLES WHEN BLOWING OUT SAWDUST.

WARNING: TO AVOID ELECTROCUTION OR FIRE, IMMEDIATELY REPLACE A WORN, CUT, OR DAMAGED POWER CORD.

Lubrication

All of the ball bearings are packed with grease at the factory. They require no further lubrication.



trouble shooting

ALL MODELS

WARNING: FOR YOUR OWN SAFETY, TURN SWITCH "OFF" AND REMOVE PLUG FROM POWER SOURCE OUTLET BEFORE TROUBLE SHOOTING YOUR BAND SAW/SANDER.

TROUBLE	PROBABLE CAUSE	REMEDY
Blade does not run in the approximate center of the upper wheel.	1. Not tracking properly.	1. Adjust tracking, see Assembly Section, "Installing the Blade."
Blade does not run in the approximate center of the lower wheel.	1. Lower wheel not positioned correctly on shaft.	1. Reposition the wheel by loosening setscrew and slide wheel in or out to allow blade to run in center of wheel.
Band Saw slows down when cutting.	1. Belt too loose. 2. Cutting too small a radius. 3. Dull blade. 4. Overloading motor.	1. Adjust belt tension, see Assembly Section "Installing and Aligning the Belt." 2. Stop feeding, and back up the material slightly, until the band saw speeds up. 3. Replace blade. 4. Slow down, trying to cut too fast.
Blades breaking.	1. Too much tension on blade. 2. Kink in blade caused by cutting too small a radius or turning the material too fast when cutting.	1. Adjust tension. See Getting To Know Your Band Saw. 2. Use correct cutting technique. See Basic Band Saw Operation Section.
Blade dulls too quickly.	1. Blade guides set too close to teeth. 2. Cutting incorrect material.	1. Adjust upper and lower blade guides. See Assembly Section "Installing the Blade."
Band saw vibrates.	1. Too much tension on motor belt.	1. Adjust according to "Installing and Aligning Poly "V" Belt" section.

trouble shooting—motor


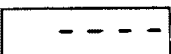
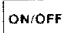

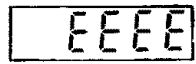
ALL MODELS

NOTE: Motors used on wood-working tools are particularly susceptible to the accumulation of sawdust and wood chips and should be blown out or "vacuumed" frequently to prevent interference with normal motor ventilation and proper operation of the centrifugally-operated starting switch.

TROUBLE	PROBABLE CAUSE	REMEDY
Excessive noise.	1. Motor.	1. Have motor checked by qualified service technician. Repair service is available at your nearest Sears store.
Motor fails to develop full power. NOTE: LOW VOLTAGE: (Power output of motor decreases rapidly with decrease in voltage at motor terminals. For example, a reduction of 10% in voltage causes a reduction of 19% in maximum power output of which the motor is capable, and a reduction of 20% in voltage causes a reduction of 36% in maximum power output.)	1. Circuit overloaded with lights, appliances and other motors. 2. Undersize wires or circuit too long. 3. General overloading of power company facilities.	1. Do not use other appliances or motors on same circuit when using the saw. 2. Increase wire sizes, or reduce length of wiring. See "Motor Specifications and Electrical Requirements" section. 3. Request a voltage check from the power company.
Motor starts slowly or fails to come up to full speed.	1. Low voltage. 2. Windings burned out or open. 3. Starting switch not operating.	1. Request voltage check from the power company. Check size of circuit wiring. 2. Have motor repaired or replaced. 3. Blow out sawdust from motor. Have motor repaired.
Motor overheats.	1. Motor overloaded. 2. Improper cooling (Air circulation restricted through motor due to sawdust accumulation).	1. Feed work slower into blade. 2. Clean out sawdust to provide normal air circulation through motor. See "Maintenance and Lubrication" section.
Starting switch in motor will not operate.	1. Burned switch contacts (due to extended hold-in periods caused by low line voltage, etc.) 2. Shorted capacitor. 3. Loose or broken connections.	1. Have switch replaced and request a voltage check from the power company. 2. Have capacitor tested and replace if defective. 3. Have wiring checked and repaired.
Motor stalls (resulting in blown fuses or tripped circuit breakers).	1. Starting switch not operating. 2. Voltage too low to permit motor to reach operating speed. 3. Fuses or circuit breakers do not have sufficient capacity.	1. Have switch replaced. 2. Request voltage check from the power company. 3. Install proper size fuses or circuit breakers.
Frequent opening of fuses or circuit breakers.	1. Motor overloaded. 2. Fuses or circuit breakers do not have sufficient capacity. 3. Starting switch not operating (motor does not reach speed).	1. Feed work slower into blade. 2. Install proper size fuses or circuit breakers. Check that wiring will handle load. 3. Have switch replaced. Blow out sawdust.

trouble shooting — electronics

MODEL 113.248440 & 113.248510

PROBLEM	PROBABLE CAUSE	SUGGESTED CORRECTIVE ACTION
No display when  is pressed.	<ol style="list-style-type: none"> 1. Battery incorrectly installed or missing. 2. Battery contacts dirty or corroded. 3. Battery dead. 4. Digital display failure. 	<ul style="list-style-type: none"> - Adjust battery position in compartment. - Install battery. - Clean battery contacts. - Replace battery. Battery is 6 volt, size J, alkaline type. - Have electronics checked by qualified technician. Repair service available at nearest Sears Store.
Display shows 	<ol style="list-style-type: none"> 1. Normal display when battery is first installed in unit. 2. Bevel display was not ref-set. 3. Poor battery contact to indicator display leads causing intermittent power to display. 4. Digital display failure. 	<ul style="list-style-type: none"> - No action required. - Follow procedure for setting bevel reference point in this manual. - Clean battery contacts. Adjust battery position in compartment. - Have electronics checked by qualified service technician. Repair service available at nearest Sears store.
Display dim.	<ol style="list-style-type: none"> 1. Low battery voltage. 2. Temperature below 32°F. 	<ul style="list-style-type: none"> - Replace battery. Battery is 6 volt, size J, alkaline type. - Allow saw to warm above 32°F.
Display dark.	<ol style="list-style-type: none"> 1. Temperature above 120°F. 	<ul style="list-style-type: none"> - Allow saw to cool below 120°F.
Display blanks after a few minutes.	<ol style="list-style-type: none"> 1. Normal. 	<ul style="list-style-type: none"> - Press  key. Display should return.
Display shows 	<ol style="list-style-type: none"> 1. Head tilted too rapidly for digital display to monitor. 	<ul style="list-style-type: none"> - Reset bevel zero reference.
Display will reset to zero but immediately shows when bevel is moved. 	<ol style="list-style-type: none"> 1. Encoder or digital display defective. 	<ul style="list-style-type: none"> - Have electronics checked by qualified technician. Repair service available at nearest Sears store.
Display does not change when bevel is moved.	<ol style="list-style-type: none"> 1. Wrong display function selected. 2. Encoder or digital display defective. 3. Rib on lower slide not engaging encoder. 	<ul style="list-style-type: none"> - Select bevel function. - Have electronics checked by qualified technician. Repair service available at nearest Sears store. - Have electronics checked by qualified technician. Repair service available at nearest Sears store.

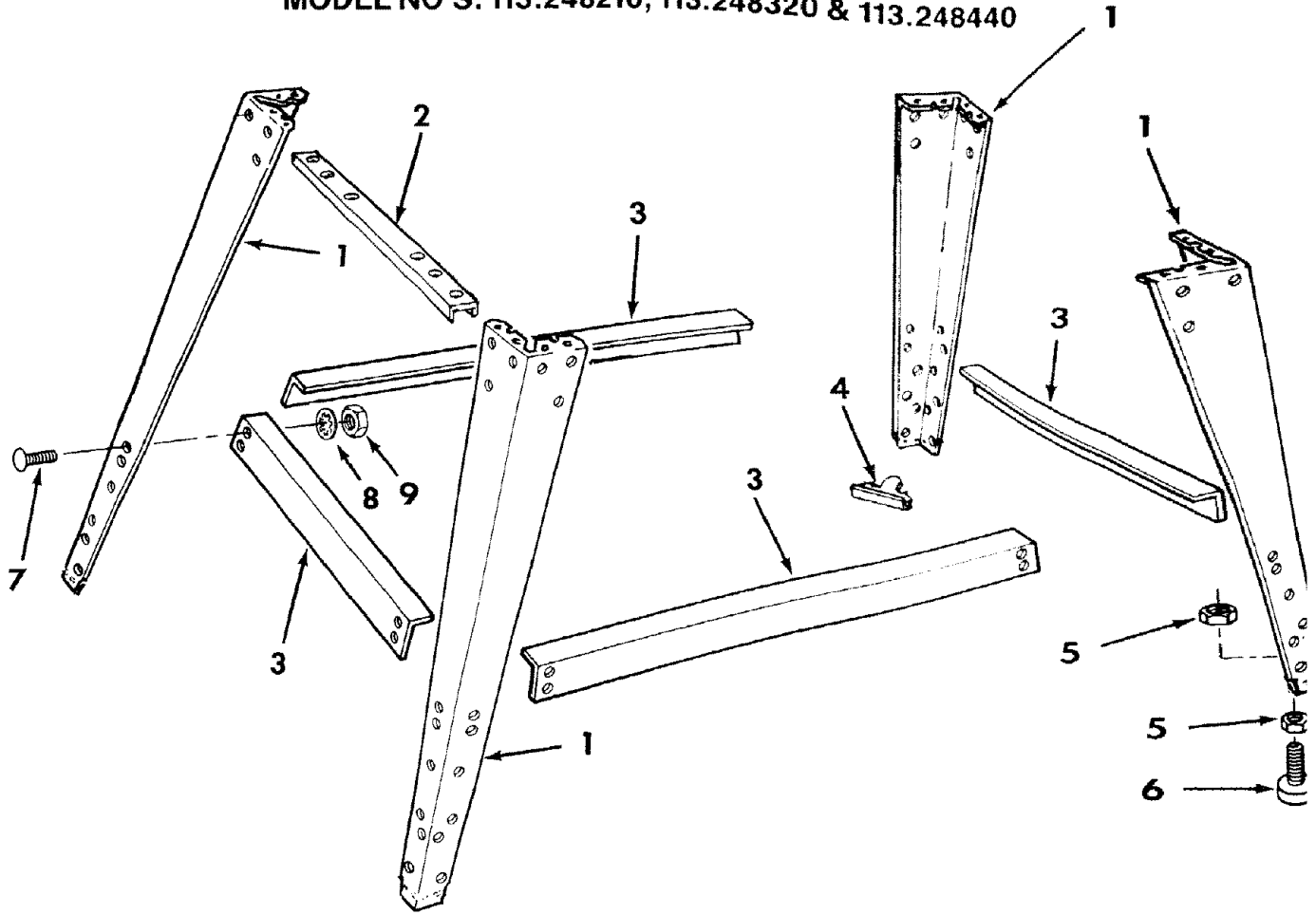
trouble shooting — electronics

MODEL 113.248440 & 113.248510

PROBLEM	PROBABLE CAUSE	SUGGESTED CORRECTIVE ACTION
Display does not change when blade speed is changed.	<ol style="list-style-type: none"> 1. Wrong display function selected. 2. Encoder or digital display defective. 	<ul style="list-style-type: none"> - Select FPM function. - Have electronics checked by qualified technician. Repair service available at nearest Sears store.
Display changes back and forth between 3000 & 2800 in fpm function.	<ol style="list-style-type: none"> 1. Slight variations in in blade speed. 	<ul style="list-style-type: none"> - Normal.
Display does not change when blade tension is changed.	<ol style="list-style-type: none"> 1. Wrong display function selected. 2. Encoder or digital display defective. 3. Encoder not engaged with tab on actuator. 	<ul style="list-style-type: none"> - Select TEN function. - Have electronics checked by qualified technician. Repair service available at nearest Sears store. - Engage tab of actuator with encoder.
Display shows in tension function. E	<ol style="list-style-type: none"> 1. Blade too tight. 	<ul style="list-style-type: none"> - Normal. Reduce blade tension.

repair parts

PARTS LIST FOR CRAFTSMAN 12-INCH BAND SAW MODEL NO'S. 113.248210, 113.248320 & 113.248440



Always order by Part Number—Not by Key Number

Key No.	Part No.	Description
1	818213	Leg
2	818163	Channel, Leg
3	815909	Stiffener, Lower
4	818170	Bracket, Leg
5	STD541237	*Nut, Hex Jam 3/8-16
6	803835-1	Foot, Leveling
7	805589-5	Screw Truss Hd. 1/4-20 x 1/2
8	STD551225	*Lockwasher, Int. 1/4
9	STD541025	*Nut, 1/4-20
—	507968	Bag of Loose Parts (Not. Ills.)

*Standard Hardware Item may be Purchased Locally.

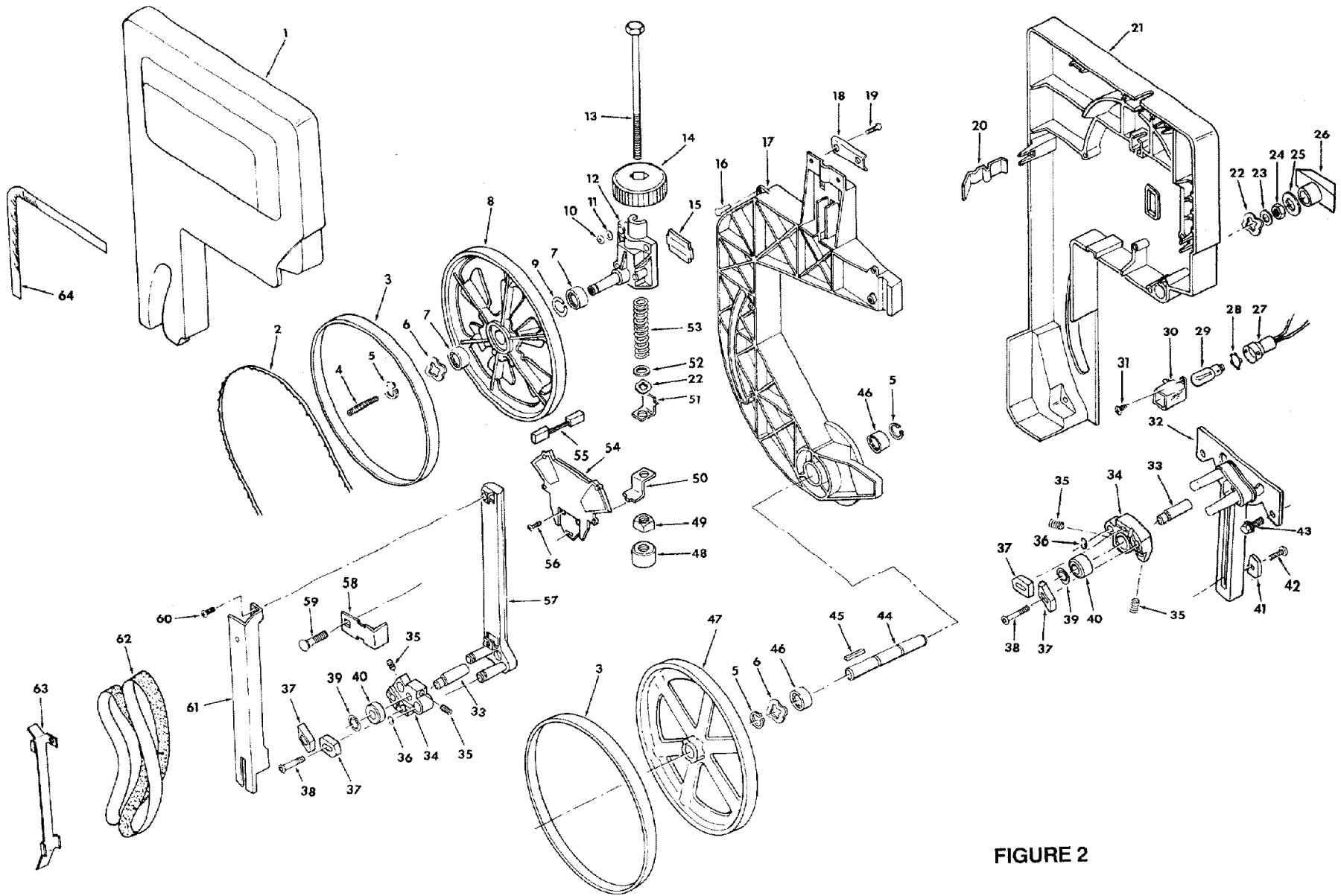


FIGURE 2

PARTS LIST FOR CRAFTSMAN 12-INCH BAND SAWS
 MODEL NO'S. 113.248210, 113.248320, 113.248440 & 113.248510

**PARTS LIST FOR CRAFTSMAN 12-INCH BAND SAW
MODEL NO'S. 113.248210, 113.248320, 113.248440 & 113.248510**

Always order by Part Number—Not by Key Number

FIGURE 2—DRIVE ASSEMBLY PARTS

Key No.	Part No.	Description
1	507830	Cover, Front w/Label
2	9-26595	†Blade, Band Saw
3	41815	Tire
4	816600	Screw, Sl. Hd. Set 5/16-18 x 2-1/8
5	STD582062	*Ring, Retaining 5/8
6	41711	Washer, Spring
7	805034	Bearing, Ball
8	816419-2	Wheel, Upper
9	38879	Ring, Retaining 1-3/8
10	STD541431	*Nut, Lock 5/16-18
11	STD551031	*Washer, 21/64 x 5/8 x 1/32
12	816364	Support Assembly, Upper Wheel
13	816446	Screw, Blade Tension 3/8-16 x 10-1/4
14	816437	Knob, Blade Tension
15	816350	Plate, Support
16	808380-5	Screw, Pan Hd. Plastite #8 x 3/4
17	816433	Frame
18	816453	Plate, Pivot Support
19	STD533110	*Bolt, Carriage High Strength 5/16-18 x 1
20	816464	Latch, Cover
21	816429	Cover, Rear
22	808447-2	Washer, Wave 3/8 x 3/4 x .016
23	60128	Washer, 17/64 x 5/8 x 1/32
24	STD541425	*Nut, Lock 1/4
25	805552-20	Washer 17/64 x 1 x 1/16
26	816435	Knob, 1/4-20
27	816444	Socket, Light
28	808335-2	Retainer
29	STD372252	*Bulb, Light
30	816380	Lens
31	808380-1	Screw, Pan Hd. Plastite #6 x 3/8

Key No.	Part No.	Description
32	816362	Slide Assembly, Lower
33	816356	Shaft, Bearing Support
34	816365	Support, Guide
35	STD502502	*Screw Soc. Set 1/4-20 x 1/4
36	808819-1	Ring, Retaining
37	816379	Guide, Blade
38	60334	Screw, Socket Button Cap No. 10-32 x 3/4
39	60416	★Ring, Retaining 5/16
40	STD315485	*Bearing, Ball
41	818000	Guide, Lower slide
42	816273	Screw, Truss Hd. 1/4-20 x 1/2
43	815865-2	Screw, Hex Wash Hd. 1/4-20 x 5/8
44	816387	Shaft, Lower Wheel
45	STD580103	*Key, 3/16 Sq. x 15/16
46	STD315238	*Bearing, Ball
47	69059	Wheel, Drive
48	816349	Follower
49	816358	Nut, Heavy Square 3/8-16
50	816599	▲Actuator, Tension
51	816377	Indicator, Tension
52	STD551037	*Washer, .380 x .750 x .03
53	816353	Spring, Blade Tension
54	816406	▲Encoder, Spd./Ten.
55	816393	▲Cord, Sensor
56	STD510807	*Screw, Pan Hd. Ty "T" 8-32 x 3/4
57	816363	Slide Assembly, Upper
58	816361	Lock, Slide
59	109093	Bolt, Carriage 1/4-20 x 1-3/4
60	813786-2	Screw, Pan Cross Hd. Type "TT" No. 8-32 x 5/8
61	816388	Guard, Blade
62	9-22361	†Belt, Sanding 1/2 x 80
63	816368	Platen, Sanding
64	816606	■Scale, Bevel
—	508014	Bag of Loose Parts (Not Ills.)
—	SP5292	Owners Manual (Not Ills.)

*Standard Hardware Item may be Purchased Locally.

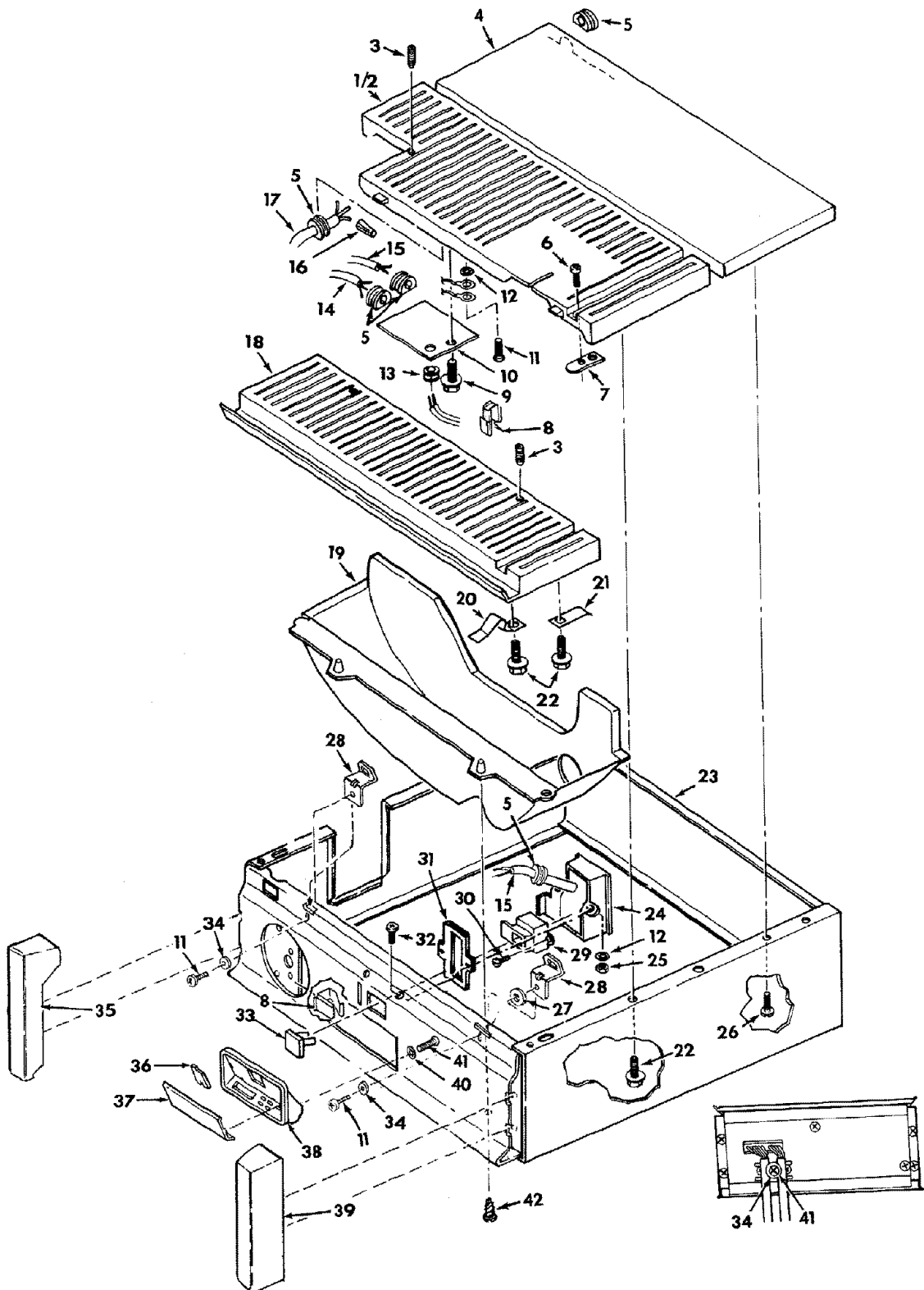
†Stock Item—May be secured through the Hardware Department of most Sears Retail Stores or Catalog Order Houses.

★If this part is removed, discard and replace with a new push nut.

▲Model 113.248440 and 113.248510.

■Model 113.248210 and 113.248320.

**PARTS LIST FOR CRAFTSMAN 12-INCH BAND SAW
 MODEL NO'S. 113.248210, 113.248320, 113.248440 & 113.248510**



**PARTS LIST FOR CRAFTSMAN 12-INCH BAND SAW
MODEL NO'S. 113.248210, 113.248320, 113.248440 & 113.248510**

Always order by Part Number—Not by Key Number

FIGURE 3—BASE COMPONENTS

Key No.	Part No.	Description
1	816421	Table, Rear (Model 113.248210 only)
2	816420	■●▲Table, Rear
3	806036-2	Screw, Locking Set 1/4-20 x 1/2
4	816423	Cover Base (Model 113.248210 only)
5	815868	Relief, Strain
6	810214-2	Screw, Low Hd. Cap 1/4-20 x 5/8
7	816371	Key, Table Alignment
8	62204	Clip, Cord
9	STD522505	*Screw, Hex Wash Hd. 1/4-20 x 1/2
10	816372	Plate, Cover
11	816333-2	Screw, Pan Hd. Type "TT" 10-32 x 3/8
12	STD551210	*Lockwasher, Int. #10
13	169123-12	Relief, Strain
14	816448	Cord, w/Plug
15	816436	Cord, Switch
16	STD375006	*Connector, Wire
17	816888	Cord, Motor
18	816434	Table, Front
19	816417	Cover, Bottom
20	818529	Spring, Table Latch
21	816370	Spring, Table Alignment
22	815865-2	Screw, Hex Washer Hd. Type "TT" 1/4-20 x 5/8
23	818390	Base Assembly Model (113.248210 & 113.248320)

Key No.	Part No.	Description
23	818391	■▲Base Assembly
24	816403	Box, Switch
25	STD541110	*Nut, Hex 10-32
26	STD611005	*Screw, Pan Hd. Ty AB 10 x 1/2 (Model 113.248210 only)
27	STD551012	*Washer, Large 7/32 x 1 x 1/16
28	818777	Latch, Table
29	816113	Switch, Locking
30	808380-2	Screw, Pan Hd. Plastite #8 x 3/8
31	818569	Gasket
32	STD511105	*Screw, Pan Cross 10-32 x 1/2
33	9-22256	†Key, Switch
34	STD551010	*Washer, Small 13/64 x 5/8 x 1/32
35	818193	Cap, Trim, L.H.
36	STD363569	■▲★Battery
37	816376	■▲Lid Battery
38	816404	■▲Control, Band Saw
39	818192	Cap, Trim R.H.
40	STD551206	■▲*Lockwasher, Internal #6
41	808380-1	■▲Screw, Pan Hd. Plastite #6 x 3/8
42	60419	Screw, Pan Hd. Plastite #8 x 1/2
—	507741	Bag of Loose Parts (Not Ills.)

*Standard Hardware Item may be Purchased Locally.

▲Model 113.248440 Only

●Model 113.248320 Only

■Model 113.248510 Only

★Can also use these battery numbers:

Eveready #539

Rayovac #867

Duracel #7K67

†Stock Item—May be secured through the Hardware Department of Most Sears Retail Stores or Catalog Order Houses.

**PARTS LIST FOR CRAFTSMAN 12-INCH BAND SAW
 MODEL NO'S. 113.248210, 113.248320, 113.248440 & 113.248510**

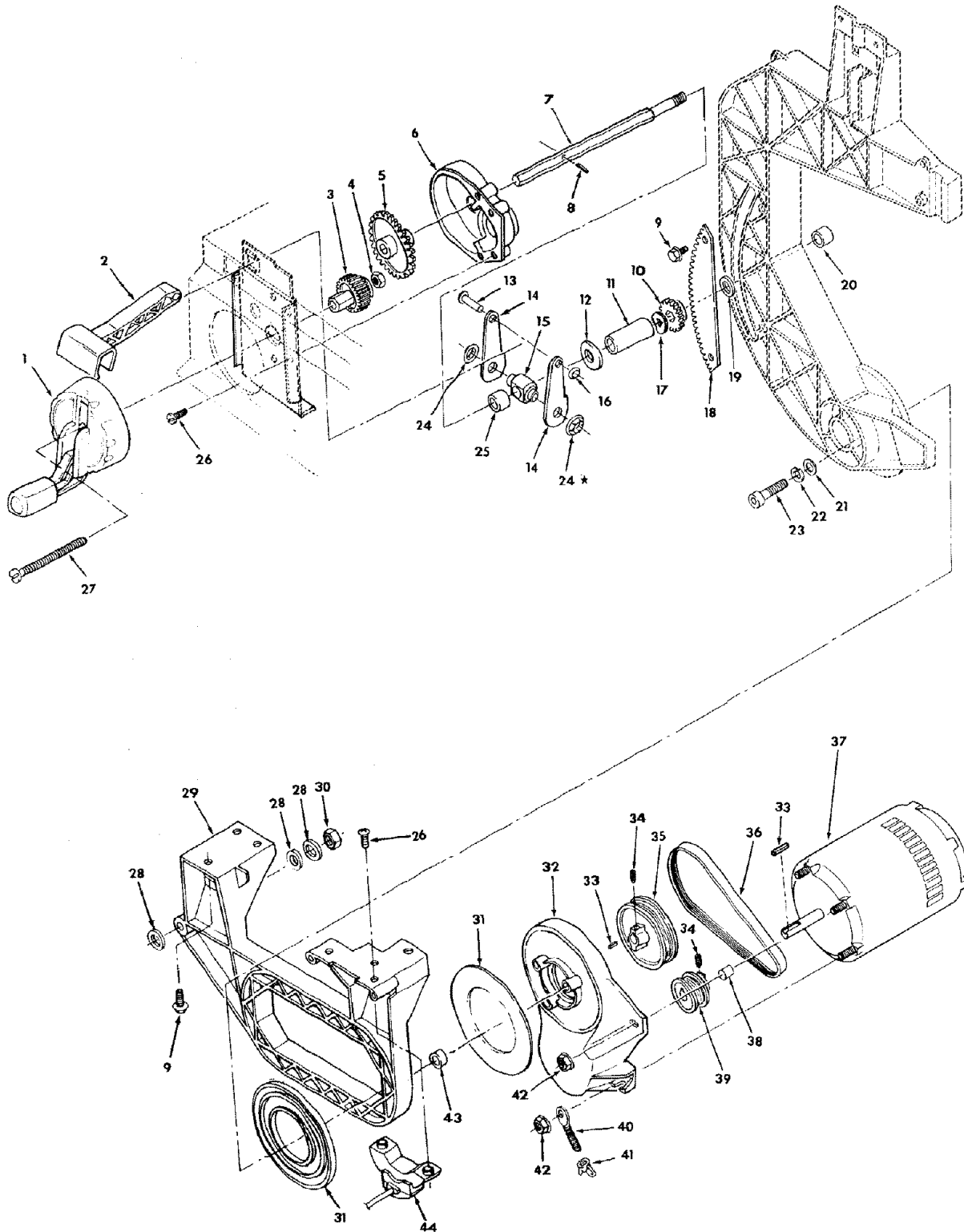


FIGURE 4

**PARTS LIST FOR CRAFTSMAN 12-INCH BAND SAW
MODEL NO'S. 113.248210, 113.248320, 113.248440 & 113.248510**

Always order by Part Number—Not by Key Number

FIGURE 4—BEVEL DRIVE AND MOTOR MOUNT ASSEMBLY PARTS

Key No.	Part No.	Description
1	816499	Handwheel Assembly
2	816386	Knob, Bevel Lock
3	816381	Pinion, Handwheel
4	STD541110	*Nut, Hex 10-32
5	816384	Gear, Handwheel
6	816543	Cover, Bevel Gear
7	816382	Shaft, Bevel
8	STD571207	*Pin, Roll 1/8 x 3/4
9	815865-2	Screw, Hex Washer Hd. Ty TT 1/4-20 x 5/8
10	816348	Pinion, Bevel Drive
11	802392-38	Spacer 1/2 x 2
12	STD551050	*Washer, .507 x 1.25 x .125
13	815774-3	Rivet, 1/4 x 1-1/8
14	816360	Cam, Bevel Lock
15	816359	Mount, Bevel Lock
16	60208	★Nut, Push 1/4
17	813024-4	Washer, Spring
18	816443	Gear, Segment
19	60317	Washer, 21/32 x 1 x 1/64
20	816452	Spacer, 9/16 x 1/4
21	STD551012	*Washer, 17/64 x 1/2 x 1/32
22	STD551125	*Lockwasher, 1/4
23	815992-1	Screw, Hex Socket Head Ty "TT" 1/4-20 x 3/4

Key No.	Part No.	Description
24	60240	★Nut, Push 3/8
25	816465	Spacer, 1/2 x .59
26	60419	Screw, Pan Hd. Plastite #8 x 1/2
27	809372-18	Screw, Pan Hd. 10-32 x 2
28	STD551037	*Washer, .380 x .750 x .03
29	816504	Support Frame
30	9414202	Nut, Lock 3/8-16
31	817165	Washer, Plastic
32	816422	Mount, Motor
33	STD580103	*Key 3/16 Sq. x 15/16
34	STD503105	*Screw, Set 5/16 -18 x 1/2
35	816407	■●▲Pulley, Polyrib 2 Step
35	818775	Pulley, Polyrib 3.5 In.
36	816439-2	Belt, Poly V
37	816612	ⓄMotor, 1725 R.P.M.
38	60453	Spacer, Motor Mount #10 x 5/16
39	816390	■●▲Pulley, Polyrib 2 Step
39	818776	Pulley Polyrib 1.75 In.
40	816815	Stud, Belt Tension
41	STD541631	*Nut, Die Cast Wing 5/16 x 18
42	816817	Nut, Hex Flange Lock 10-32
43	816445	Bushing, Rubber
44	816405	■▲Encoder Bevel

*Standard Hardware Item may be Purchased Locally.

★If this part is removed, discard and replace with new push nut.

ⓄAny attempt to repair this motor may create a hazard unless repair is done by a Qualified Service Technician.

Repair Service is available at your nearest Sears Store.

▲Model 113.248440 Only

●Model 113.248320 Only

■Model 113.248510 Only



**PARTS LIST FOR CRAFTSMAN 12-INCH ELECTRONIC BAND SAW
MODEL 113.248510**

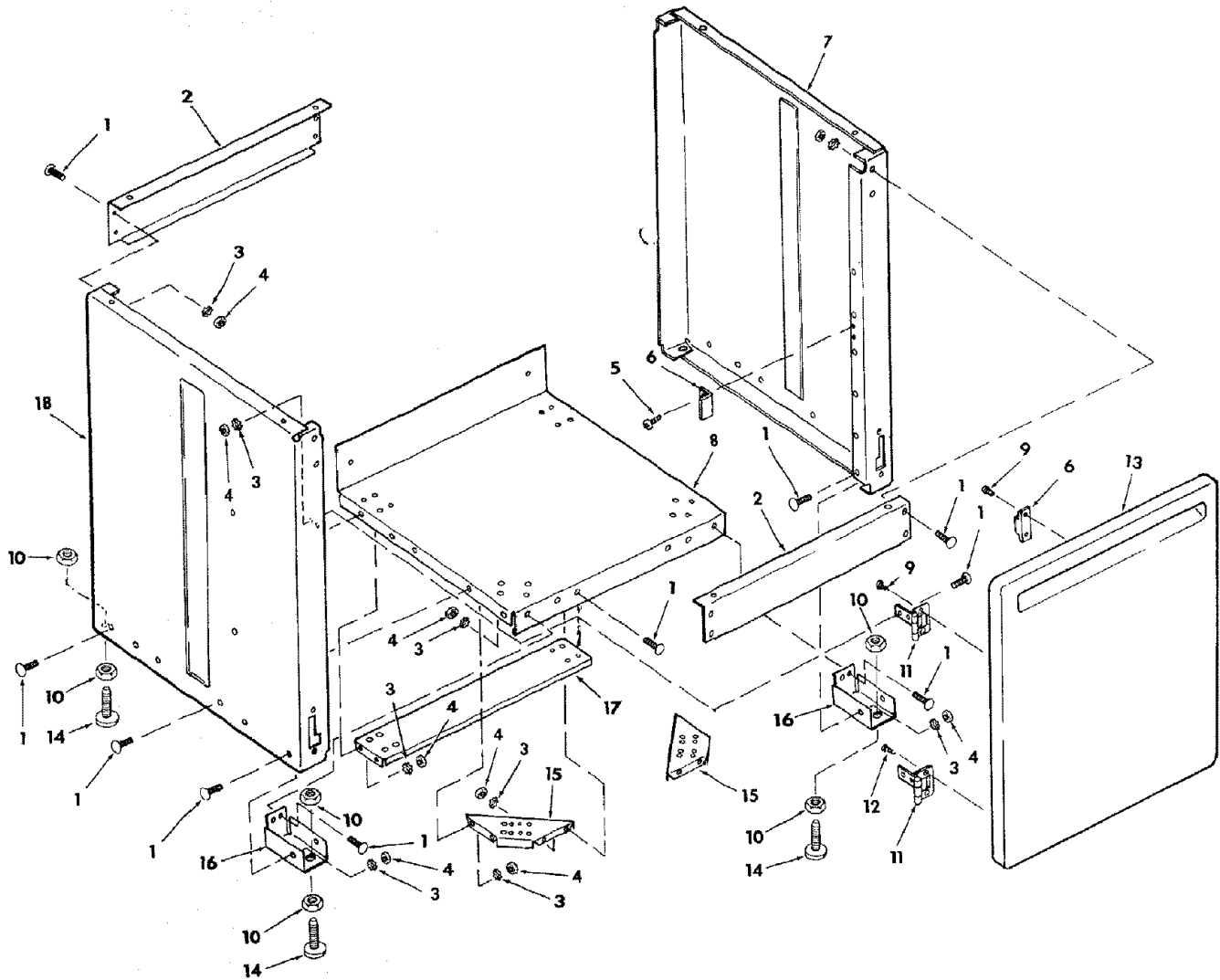


FIGURE 5—PARTS LIST 23" CABINET

Always order by Part Number—Not by Key Number

Key No.	Part No.	Description
1	805589-5	Screw, Truss Hd. 1/4-20 x 1/2
2	815900	Skirt 23"
3	STD551225	*Lockwasher, Ext. 1/4
4	STD541025	*Nut, Hex 1/4-20
5	STD600603	*Screw, Pan Hd. Ty "T" 6-32 x 3/8
6	815933	Catch, Magnetic
7	817151	Panel Side R.H.
8	815887	Shelf, Lower 23"
9	816274	Screw, Pan Hd. Plastite 6-10 x 1/2
10	STD541237	*Nut, Hex Jam 3/8-16

Key No.	Part No.	Description
11	815934	Hinge, Door
12	816274-1	Screw, Pan Hd. Plastite 10-10 x 1/2
13	815882	Door, Cabinet
14	803835-1	Foot, Leveling
15	815993	Bracket, Corner
16	817108	Spacer
17	816063	Stiffener, Shelf
18	817150	Panel Side L.H.
—	507530	Bag of Loose Parts (Not. Ills.)
—	508166	Bag of Loose Parts (Not. Ills.)

*Standard Hardware Item may be Purchased Locally.

SEARS

owners manual

SERVICE

**MODEL NO.
113.248210**

Single Speed Band Saw
with Leg Set

**MODEL NO.
113.248320**

Two Speed Band Saw
with Leg Set

**MODEL NO.
113.248440**

Two Speed Electronic
Band Saw with Leg Set

**MODEL NO.
113.248510**

Two Speed Electronic
Band Saw with Cabinet

HOW TO ORDER REPAIR PARTS

12-INCH BAND SAW

Now that you have purchased your 12-Inch Band Saw, should a need ever exist for repair parts or service, simply contact any Sears Service Center and most Sears, Roebuck and Co. stores. Be sure to provide all pertinent facts when you call or visit.

The model number of your 12-Inch Band Saw will be found on a plate attached to your saw, at the left-hand side of the base.

WHEN ORDERING REPAIR PARTS, ALWAYS GIVE THE FOLLOWING INFORMATION:

PART NUMBER

PART DESCRIPTION

MODEL NUMBER

113.248210, 113.248320,
113.248440 or 113.248510

NAME OF ITEM

12-Inch Band Saw

All parts listed may be ordered from any Sears Service Center and most Sears stores. If the parts you need are not stocked locally, your order will be electronically transmitted to a Sears Repair Parts Distribution Center for handling.

Sold by SEARS, ROEBUCK AND CO., Chicago, IL. 60684 U.S.A.