

Use & Care Guide
Manual de Uso y Cuidado
English / Español

Kenmore®

Wine Chiller

4.6 cu.ft./45 Bottles

Nevera de Vinos

4.6 Pies cúbicos/45 Botellas

Models / Modelos : 255.99279

P/N 134779000B (0807)

Sears Brands Management Corporation
Hoffman Estates, IL 60179 U.S.A.

www.kenmore.com
www.sears.com



KENMORE LIMITED WARRANTY

When installed, operated and maintained according to all supplied instructions, if this appliance fails due to a defect in material or workmanship within one year from the date of purchase, call 1-800-4-MY-HOME to arrange for free repair.

This warranty applies for only 90 days from the purchase date if this appliance is ever used for other than private household purposes.

This warranty covers only defects in material and workmanship. Sears will NOT pay for:

1. Expendable items that can wear out from normal use, including but not limited to filters, belts, light bulbs, and bags.
2. A service technician to instruct the user in correct product installation, operation or maintenance.
3. A service technician to clean or maintain this product.
4. Damage to or failure of this product if it is not installed, operated or maintained according to the all instructions supplied with the product.
5. Damage to or failure of this product resulting from accident, abuse, misuse or use for other than its intended purpose.
6. Damage to or failure of this product caused by the use of detergents, cleaners, chemicals or utensils other than those recommended in all instructions supplied with the product.
7. Damage to or failure of parts or systems resulting from unauthorized modifications made to this product.

Disclaimer of implied warranties; limitation of remedies

Customer's sole and exclusive remedy under this limited warranty shall be product repair as provided herein. Implied warranties, including warranties of merchantability or fitness for a particular purpose, are limited to one year or the shortest period allowed by law. Sears shall not be liable for incidental or consequential damages. Some states and provinces do not allow the exclusion or limitation of incidental or consequential damages, or limitation on the duration of implied warranties of merchantability or fitness, so these exclusions or limitations may not apply to you.

This warranty applies only while this appliance is used in the United States.

This warranty gives you specific legal rights, and you may also have other rights which vary from state to state.

Sears Brands Management Corporation, Hoffman Estates, IL 60179

MASTER PROTECTION AGREEMENTS

Congratulations on making a smart purchase. Your new Kenmore® product is designed and manufactured for years of dependable operation. But like all products, it may require preventive maintenance or repair from time to time. That's when having a Master Protection Agreement can save you money and aggravation. The Master Protection Agreement also helps extend the life of your new product.

Here's what the Agreement includes:

Parts and labor needed to help keep products operating properly **under normal use**, not just defects. Our coverage goes **well beyond the product warranty**. No deductibles, no functional failure excluded from coverage—**real protection**.

- ✔ **Expert service** by a force of more than **10,000 authorized Sears service technicians**, which means someone you can trust will be working on your product.
- ✔ **Unlimited service calls and nationwide service**, as often as you want us, whenever you want us.
- ✔ **“No-lemon” guarantee** – replacement of your covered product if four or more product failures occur within twelve months.
- ✔ **Product replacement** if your covered product can't be fixed.
- ✔ **Annual Preventive Maintenance Check** at your request – no extra charge.
- ✔ **Fast help by phone** – we call it **Rapid Resolution** – phone support from a Sears representative on all products. Think of us as a “talking owner's manual.”
- ✔ **Power surge protection** against electrical damage due to power fluctuations.
- ✔ **\$250 Food Loss Protection** annually for any food spoilage that is the result of mechanical failure of any covered refrigerator or freezer.
- ✔ **Rental reimbursement** if repair of your covered product takes longer than promised.
- ✔ **25% discount** off the regular price of any non-covered repair service and related installed parts.

Once you purchase the Agreement, a simple phone call is all that it takes for you to schedule service. You can call anytime day or night, or schedule a service appointment online.

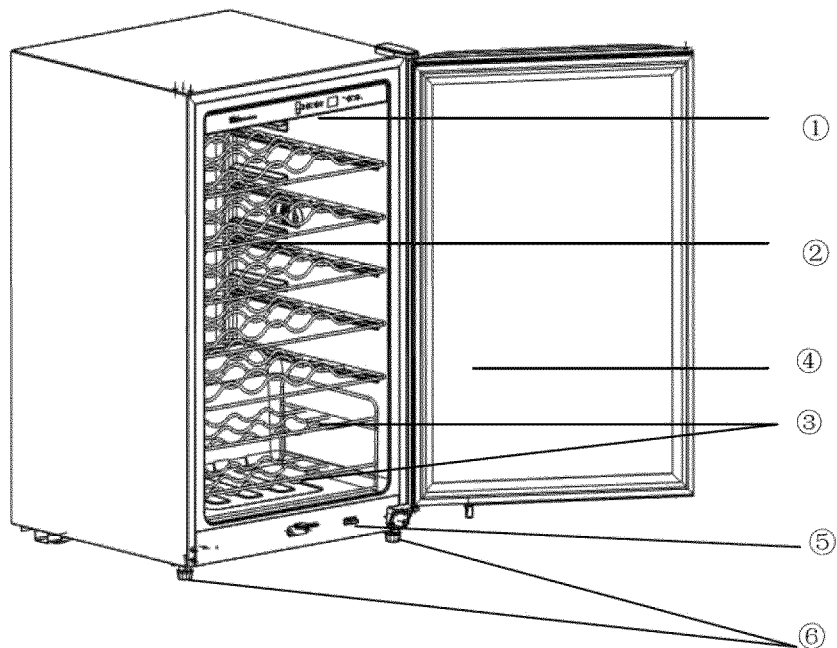
The Master Protection Agreement is a risk free purchase. If you cancel for any reason during the product warranty period, we will provide a full refund, or a prorated refund anytime after the product warranty period expires. Purchase your Master Protection Agreement today!

Some limitations and exclusions apply. For prices and additional information in the U.S.A. call 1-800-827-6655.

Sears Installation Service

For Sears professional installation of home appliances, garage door openers, water heaters, and other major home items, in the U.S.A. or Canada call **1-800-4-MY-HOME®**.

PARTS AND FEATURES



1. Control Panel
2. Wire Shelf Racks (5)
3. Wire Base Rack
4. Glass Door
5. Interior Light Control Switch
6. Adjustment Legs
(Turn to left to raise; turn to right to lower)

SAVE THESE INSTRUCTIONS

DANGER

Risk of child entrapment . Before you throw away your old wine chiller, take off the doors. Leave the shelves in place so that children may not easily climb inside.

CFC/HCFC DISPOSAL

Your old wine chiller may have a cooling system that used CFCs or HCFCs (chlorofluorocarbons or hydrochlorofluorocarbons). CFCs and HCFCs are believed to harm stratospheric ozone if released to the atmosphere. Other refrigerants may also cause harm to the environment if released to the atmosphere.

If you are throwing away your old wine chiller, make sure the refrigerant is removed for proper disposal by a qualified technician. If you intentionally release refrigerant, you may be subject to fines and imprisonment under provisions of environmental legislation.

WARNING: NEVER store food items of any type in this wine chiller. Because wine chiller temperature settings are warmer than refrigerator settings, food items stored in wine chiller are liable to spoilage, which can result in serious foodborne illness if consumed.

Thank you for using this Kenmore product . This easy-to-use manual will guide you in getting the best use of your wine chiller.

PRODUCT RECORD

Staple your receipt to your manual.

Record the model and serial number of your unit in the spaces provided to the right.

Model number:
255.99279

Serial number:

PREPARING TO USE YOUR WINE CHILLER

Unpacking Your Wine Chiller

1. Remove all packaging material. This includes the foam and the adhesive tape from all outside and inside surfaces, as well as accessories and racks. Slide out and remove the plastic or foam guard used to protect the compressor from shipping damage caused by vibration and shock.
2. Inspect and remove any remaining packaging, tape or printed materials before powering on the wine chiller.
3. Check to be sure you have all accessories and parts listed in the Parts and Features section.

Proper Air Circulation

To ensure that your wine chiller works at the maximum efficiency it was designed for, you should install it in a location where there is proper air circulation, plumbing and electrical connections.

The following are recommended clearances around the wine chiller:

Sides..... 3/4 inches (19 mm)

Top..... 2 inches (50 mm)

Back..... 2 inches (50 mm)

Electrical Requirements

Make sure there is a suitable power outlet (115 volts, 15 amps) with proper grounding to power the wine chiller.

WARNING: NEVER cut off the third grounding prong from the power cord plug to accommodate a two prong outlet. Removal of the prong provides no effective grounding for the appliance, which can result in serious injury or death from electrical shock.

OPERATING YOUR WINE CHILLER

Installation

Your wine chiller is designed for freestanding installation only. It should not be recessed or built-in. Place the wine chiller on a floor strong enough to support it fully loaded. When moving the wine chiller, never tilt it by more than a 45 degree angle. This could damage the compressor and the sealed system.

If the wine chiller has been tilted more than 45 degrees, let it stand in an upright position for at least 1 hour prior to plugging it into the power source. This will allow the refrigerant to settle and reduce the possibility of a malfunction in the cooling system.

Plug the wine chiller into an exclusive, properly installed grounded wall outlet. Do not under any circumstances cut or remove the third (grounding) prong from the power cord. See the WARNING in Electrical Requirements on the previous page. Any questions concerning power and/or grounding should be directed toward a certified electrician or a Sears or other qualified service dealer.

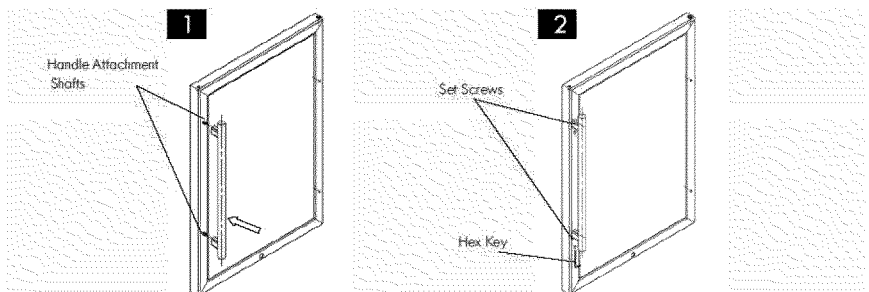
After plugging the appliance into a wall outlet, allow the unit to run for 2 -3 hours so that the interior is sufficiently cool before opening the door to place bottles into the compartment.

Installation Limitations

Do not install your wine cooler in any location not properly insulated or heated, such as in a garage. Your wine chiller is not designed to operate in temperature settings below 55° Fahrenheit.

Select a suitable location for the wine chiller on a hard even surface away from direct sunlight or heat sources such as radiators, baseboard heaters or cooking appliances.

Handle Installation



1. Set the attachment shafts of the handle over the attachment posts protruding from the door. To avoid turning unit over, attach handles with set screws facing up. If unit is turned over to facilitate attaching handle so that screws will not be seen, you must wait 1 hour before plugging unit into power source.
2. Use a 3 mm hex key to securely tighten the set screws in the handle attachment shafts to the attachment posts of the door.

FEATURES AND USE

Initial Use

To reach the set coldness level when operating the wine chiller for the first time, run it without wine load until you hear the compressor stop. This usually takes 2 to 3 hours. Once the set temperature is reached, load wine into the wine chiller.

Note: If the wine chiller has been placed in a horizontal or more than 45° tilted position for any period of time, wait 1 hour before plugging it in.

Temperature Control



Temperature Adjustment

▲ : Press this pad once and the temperature will increase 1° F/C.

▼ : Press this pad once and the temperature will decrease 1° F/C.

The wine chiller can be operated by adjusting the temperature control buttons (up arrow and down arrow) to various settings.


The new desired temperature will flash on the display for a few seconds and then switch back to the actual temperature which will gradually change until setpoint is reached.

The temperature range MIN and MAX is 41° - 65°F (5° - 18°C), which is ideal for wine storage. 41° is best for white wine, and 64° is ideal for reds.



LED light pad; press to turn light on or off.

POWER On/Off: Press this pad to power the unit on or off.

Press  and **POWER** together for 2 seconds to convert between Fahrenheit temperature and Celsius temperature.

Failure Codes

If "E" and "F" display, contact Sears or another qualified service center for unit repair.

If the temperature in the chiller is too low, it will display "L". Adjust the temperature control to a warmer setting.

If the temperature in the chiller is too high, the control will flash "H", and an alarm will sound for 30 seconds. One minute later, the alarm will continue to sound for another 30 seconds. After three times, the alarm will not sound any more. You can press any key to cancel the sound alarm.

Storing too many cans or bottles in the chiller may cause the temperature in the chiller to rise temporarily.

Normal Operating Sounds You May Hear

At times you may hear boiling water, gurgling sounds, etc. that are the result of the refrigerant circulating through the cooling coils

CARE AND CLEANING

Cleaning and Maintenance

WARNING: To avoid electric shock, always unplug your wine chiller before cleaning. Ignoring this warning may result in death or injury.

CAUTION: Before using cleaning products, always read and understand the cleaning processes explained in this manual. Follow cleaning product manufacturers's instructions and warnings to avoid personal injury or product damage.

General Cleaning

Prepare a cleaning solution of 1 to 2 tablespoons of baking soda mixed with warm water. Use a sponge or soft cloth, dampened with the cleaning solution, to wipe down your wine chiller.

Rinse with clean warm water and dry with a soft cloth.

Do not use harsh chemicals, abrasives, ammonia, chlorine bleach, concentrated detergents, solvents or metal scouring pads. Some of these chemicals may dissolve, damage and/or discolor your wine chiller.

Door Gaskets

Clean door gaskets every three months according to the instructions described above in General Cleaning.

Apply a light coating of petroleum jelly to the hinge side of the door gaskets to keep the gaskets pliable and ensure a good seal.

Power Interruptions

Occasionally there may be power interruptions due to thunderstorms or other causes. Remove the power cord plug from the AC outlet when a power outage occurs. Keep the wine chiller door closed to preserve compartment coolness for as long as possible. After a prolonged power outage, you should clean the inside of the chiller compartment before reuse.

Vacation and Moving Care

For long vacations or absences, unplug the unit, remove wine bottles from wine chiller, turn the temperature dial to the OFF position and clean the door gaskets according to the General Cleaning section. Prop door open, so air can circulate inside. If moving the wine chiller, always keep it in a vertical position. Do not move unit when in a horizontal position, as possible damage to the sealed system could occur.

TROUBLESHOOTING

<p>Wine Chiller does not operate</p>	<p>Check if the temperature control is in the Off position. Check if wine chiller is plugged in. Check if there is power at the AC outlet by checking the circuitbreaker.</p>
<p>Compartment temperature is noticeably warmer or colder than set temperature.</p>	<p>The problem can be resolved if you just turn off power of the wine chiller for 5 minutes and then restart it. If the temperature is too warm, check it several hours later to see if it has cooled down to the set temperature. If the temperature is too cold, check the next day to see if it has warmed to the set temperature.</p>
<p>The inside of wine chiller is not cold</p>	<p>The wine chiller door is opened too often. Leave door shut for 4 - 5 hours to restore desired coolness level.</p>
<p>The wine chiller doesn't cool down</p>	<p>Press POWER button; check if power supply is connected.</p>
<p>LED does not light</p>	<p>Take unit to a Sears or other qualified service dealer for LED lamp repair.</p>
<p>Glass door has water condensation droplets</p>	<p>Condensation on the door glass is normal when the weather is hot or humid. If the door is kept open too long or opened too frequently, condensation can occur. If the chiller is not level, the door can become misaligned, allowing a small air gap which can cause condensation. Use the Adjustment Legs to level the unit. To remove condensation, wipe the door glass with a soft cloth, and leave the door closed for 4 -5 hours to reduce further condensation occurrence.</p>

GARANTÍA LIMITADA KENMORE

Cuando se instala, maneja y mantiene según todas las instrucciones suministradas, si este aparato falla debido a un defecto del material o por la mano de obra dentro de un año desde la fecha de compra, llame al "1-800-4-MY-HOME®" para acordar una reparación gratuita. Esta garantía se aplica sólo durante 90 días desde la fecha de compra si este producto jamás se ha utilizado de otra manera que para propósitos privados del hogar.

Esta garantía cubre sólo defectos en el material o por la mano de obra. Sears no pagará:

1. Artículos sujetos a desgaste que pueden desgastarse por el uso normal, inclusive pero no limitado a filtros, correas, bombillas y bolsas.
2. Un técnico de servicio para instruir al usuario sobre la correcta instalación, operación o mantenimiento del producto.
3. Un técnico de servicio para limpiar o mantener este producto.
4. Daños a o fallos de este producto si no se instala, maneja o mantiene según las todas las instrucciones suministradas con el producto.
5. Daños o fallos de este producto resultantes de un accidente, abuso, maltrato o uso para una finalidad distinta a la que está destinado.
6. Daños a o fallos de este producto causados por el uso de detergentes, limpiadores, sustancias químicas o útiles distintos de los recomendados en las instrucciones suministradas con el producto.
7. Daños o fallos de piezas o sistemas resultantes de modificaciones no autorizadas hechas a este producto.

Denegación de garantías implícitas; limitación de reparaciones

La única y exclusiva reparación para el cliente bajo esta garantía limitada será la reparación del producto según se dispone en este documento. Las garantías implícitas, incluyendo garantías de comercialización o salud para un propósito en particular, se limitan a un año o el período más corto permitido por la ley. Sears no será responsable de daños casuales ni consecuentes. Algunos estados y provincias no permiten la exclusión ni la limitación de daños casuales o consecuentes, o la limitación en la duración de garantías implícitas de comercialización o salud, así que estas exclusiones o limitaciones pueden no ser aplicables a usted.

Esta garantía sólo se aplica cuando este aparato se utiliza en Estados Unidos o Canadá. Esta garantía le da derechos legales específicos, y usted también puede tener otros derechos que varían dependiendo del estado.

ACUERDOS DE PROTECCIÓN MAESTRA

Felicidades por hacer una compra inteligente. Su nuevo producto Kenmore® está diseñado y fabricado para años de funcionamiento fiable. Pero como todos los productos, puede necesitar mantenimiento preventivo o reparaciones de vez en cuando. Que es cuando tener un Acuerdo de Protección Maestra le puede ahorrar dinero y evitar irritaciones. El Acuerdo de Protección Maestra también le ayuda a extender la vida de su nuevo producto. Aquí está lo que incluye el Acuerdo:

Piezas y mano de obra necesarias para ayudar a mantener los productos funcionando apropiadamente **bajo uso normal**, no sólo los defectos. Nuestra cobertura va **más allá de la garantía del producto**. Sin franquicias, sin fallos funcionales excluidos de la cobertura—**protección verdadera**.

- ✓ **Asistencia de expertos** por una fuerza de más de **10.000 técnicos de servicio autorizados por Sears**, lo que significa que alguien en que confía trabajará en su producto.
- ✓ **Llamadas ilimitadas de asistencia y asistencia por todo el país**, tan a menudo como lo desee y siempre que usted lo desee.
- ✓ **Garantía por repetición de fallos** - sustitución de su producto cubierto si se producen cuatro o más fallos del producto dentro de doce meses.
- ✓ **Sustitución del producto** si su producto cubierto no puede repararse.
- ✓ **Comprobación anual de Mantenimiento Preventivo** según su petición - sin recargo.
- ✓ **Ayuda rápida por teléfono** - la llamamos **Resolución Rápida** - apoyo por teléfono de un representante de Sears en todos los productos. Piense en nosotros como un "manual de usuario parlante".
- ✓ **Protección por subidas de tensión** contra daños eléctricos debidos a fluctuaciones de energía.
- ✓ **\$250 de Protección por la Pérdida de Alimentos** anualmente por cualquier putrefacción de alimentos que sea el resultado de fallos mecánicos de cualquier frigorífico o congelador cubierto
- ✓ **Reembolso de alquiler** si la reparación de su producto cubierto tarda más de lo prometido.
- ✓ **25% de descuento** del precio regular de cualquier servicio de una reparación no cubierta y las piezas instaladas relacionadas.

Una vez que usted compra el Acuerdo, una simple llamada telefónica es todo lo necesario para planificar la asistencia. Puede llamar en cualquier momento, día o noche, o planificar online una cita de asistencia.

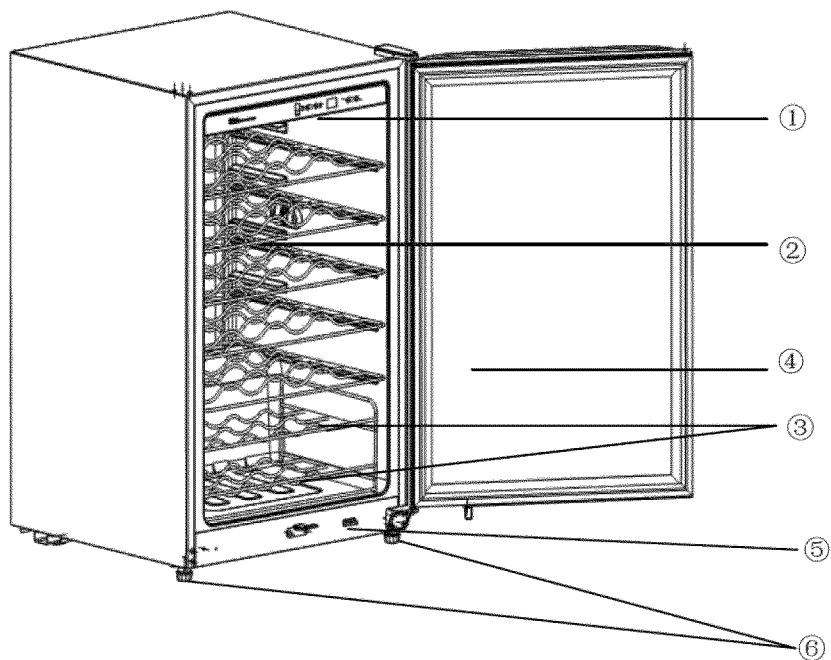
El Acuerdo de Protección Maestra es una compra sin riesgo. Si la cancela por cualquier razón durante el período de garantía del producto, le proporcionamos un reembolso total, o un reembolso prorrateado en cualquier momento después de que termine el período de garantía del producto. ¡Compre su Acuerdo de Protección Maestra hoy!

Se aplican algunas limitaciones y exclusiones. Para obtener precios y adicional información en los EE.UU. llame al 1-800-827-6655.

Servicio de Instalación de Sears

Para una instalación profesional de Sears de aparatos del hogar, sistemas de apertura de puertas de garaje, calentadores de agua y otros artículos principales del hogar, en EEUU o Canadá llame a **1-800-4-MY-HOME®**.

PIEZAS Y CARACTERÍSTICAS



1. Panel de Control

2. Estante de alambre(5)

3. Estante de base de alambre

4. Puerta de Vidrio

5. Interruptor de Control de Luz Interior

6. Patas de Ajuste

(Gire a la izquierda para subir; Gire a la derecha para bajar)

GUARDE ESTAS INSTRUCCIONES

PELIGRO

Riesgo de atrapar niños. Antes de tirar su nevera de vinos vieja, quite las puertas. Deje las baldas en su sitio de manera que los niños no puedan subir fácilmente adentro.

ELIMINACIÓN DE CFC/HCFC

Su nevera de vinos vieja puede tener un sistema de refrigeración que utilizó CFCs o HCFCs (clorofluorocarbonos o hidroclorofluorocarbonos). Se cree que los CFCs y HCFCs dañan la capa de ozono estratosférico si se liberan a la atmósfera. Otros refrigerantes también pueden dañar el ambiente si se liberan a la atmósfera.

Si está tirando su nevera de vinos vieja, asegúrese de que el refrigerante se quite para una disposición apropiada por parte de un técnico calificado. Si libera a propósito el refrigerante, puede estar sujeto a multas y encarcelamiento bajo estipulaciones de la legislación ambiental.

ADVERTENCIA: NO conserve NUNCA alimentos de cualquier tipo en esta nevera de vinos. Es que las configuraciones de temperatura de la nevera de vinos son más calientes que las del refrigerador, los alimentos conservados en la nevera de vinos pueden fácilmente deteriorarse, que puede tener como consultado graves enfermedades transmitidas por alimentos si se consumen.

Gracias por usar este producto Kenmore. Este manual fácil de usar le guiará en el mejor uso de su nevera de vinos.

REGISTRO DEL PRODUCTO

Gracias por utilizar nuestro producto de Kenmore. Este manual de fácil uso le indicará cómo conseguir el mejor uso de su frigorífico.

Grape su recibo a su manual.

Número de Modelo:

Número de Serie:

PREPÁRESE PARA USAR SU NEVERA DE VINOS

Desempaque de Su Nevera de Vinos

1. Quite todo el material de embalaje. Esto incluye la espuma y la cinta adhesiva en todas las superficies externas e internas, así como accesorios y estantes. Deslice hacia fuera y quite el protector de plástico o espuma utilizado para proteger el compresor de daños durante el transporte causados por vibración y choque.
2. Inspeccione y quite cualquier embalaje, cinta o materiales impresos que quedan antes de enchufar la nevera de vinos.
3. Asegúrese de que tenga todos los accesorios y piezas listados en la sección de Piezas y Características.

Circulación Apropiaada del Aire

Para garantizar que su nevera de vinos trabaje con la máxima eficiencia para la que fue diseñado, tiene que instalarla en un lugar donde hay circulación apropiada del aire, conexiones de tuberías y eléctricas.

Los espacios libres recomendados alrededor de la nevera de vinos son los siguientes:

Lados: 3/4 pulgadas (19 mm)

Parte superior: 2 pulgadas (50 mm)

Parte de atrás: 2 pulgadas (50 mm)

Requisitos Eléctricos

Asegúrese de que haya una toma de corriente adecuada (115 voltios, 15 amperios) con conexión a tierra apropiada para enchufar la nevera de vinos.

ADVERTENCIA: NO corte NUNCA la tercera punta con conexión a tierra del enchufe del cable de alimentación para adaptarse a una toma de corriente de dos puntas. La eliminación de la punta no proporciona una conexión a tierra efectiva para el aparato, que puede tener como resultado una herida grave o incluso la muerte por la descarga eléctrica.

MANEJO DE SU NEVERA DE VINOS

Instalación

Su nevera de vinos está diseñada sólo para una instalación de tipo independiente. No debe ser empotrada. Coloque la nevera de vinos en un suelo suficientemente fuerte como para soportarla completamente cargada. Al mover la nevera de vinos, no inclínela nunca con un ángulo más de 45 grados. Esto podría dañar el compresor y el sistema de sellado. Si la nevera de vinos se ha inclinado más de 45 grados, déjela estar en una posición vertical por a lo menos 1 hora antes de enchufarlo en la fuente de alimentación. Esto permitirá al refrigerante asentarse y reducir la posibilidad de un fallo en el sistema de refrigeración.

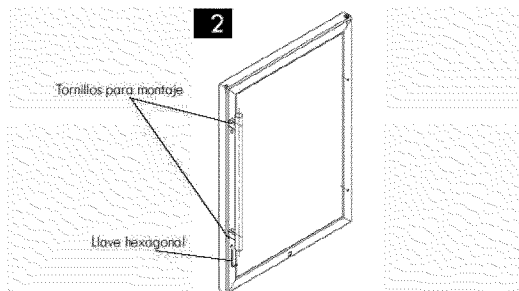
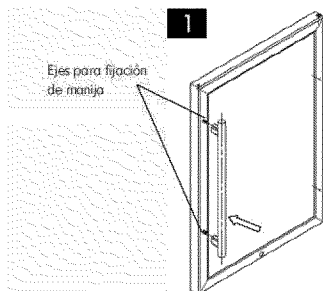
Enchufe la nevera de vinos en una toma de corriente de pared exclusiva y apropiadamente instalada con conexión a tierra. No corte ni quite bajo ninguna circunstancia la tercera punta (con conexión a tierra) del cable de alimentación. Véase la ADVERTENCIA en Requisitos Eléctricos en la página anterior. Cualquier pregunta con respecto a la alimentación y/o la conexión a tierra debe ser dirigida a un electricista certificado o un Sears u otro proveedor calificado de servicios. Después de enchufar el aparato en una toma de corriente de pared, permita que la unidad funcione por 2-3 horas de manera que el interior sea suficientemente frío antes de abrir la puerta para poner botellas en el compartimiento.

Limitaciones de la Instalación

No instale su nevera de vinos en cualquier lugar no apropiadamente aislado o climatizado, como en un garaje. Su nevera de vinos no está diseñada para funcionar a temperatura debajo de 55o Fahrenheit.

Seleccione un lugar adecuado para que la nevera de vinos se encuentre en una superficie dura y plana y esté lejos del sol directo o fuentes de calor tales como radiadores, calentadores de zócalo o aparatos de cocina.

Montaje de manija



1. Ajuste los ejes para fijación de manija sobre los postes de fijación que sobresalen de la puerta. Para evitar que la unidad se vuelque, conecte las manijas con tornillos de fijación hacia arriba. Si la unidad se vuelca a facilitar la fijación de manija de modo que los tornillos no se pueden ver, hay que esperar 1 hora antes de conectar la unidad a la fuente de energía.
2. Utilice una llave hexagonal de 3 mm para apretar bien los tornillos de fijación en los ejes de fijación de manija a los postes de fijación de la puerta.

CARACTERÍSTICAS Y UTILIZACIÓN

Uso inicial

Para alcanzar el nivel de frialdad configurado cuando opera el refrigerador de vino por primera vez, apérelolo sin carga de vino hasta que escuche la parada del compresor. Esto por lo general tarda de 2 a 3 horas. Una vez que se alcanza la temperatura configurada, cargue el vino en el refrigerador de vinos.

Nota: Si el refrigerador del vino se ha colocado en una posición horizontal o inclinada más de 45o durante un período de tiempo, espere 1 hora antes de conectarlo a la fuente de energía

Control de Temperatura



Ajuste de Temperatura


∧ : Pulse este botón una vez y la temperatura aumentará 1oF/C.

∨ : Pulse este botón una vez y la temperatura disminuirá 1 oF/C.

El refrigerador de vino puede ser operado mediante el ajuste de los botones de control de temperatura (flecha arriba y flecha abajo) para diferentes configuraciones.

La nueva temperatura deseada parpadeará en la pantalla durante unos segundos y luego vuelva a la temperatura real que cambiará gradualmente hasta alcanzar el punto configurado.

El rango de temperatura MIN y MAX es 41 o -65 oF (5 o-18oC), que es ideal para el almacenamiento de vino. 41 es mejor para el vino blanco, y el 64 o es ideal para los tintos.

 Botón de luz del LED: Pulse para encender o apagar la luz.

Encendido / Apagado: Pulse este botón para encender o apagar la unidad.

Pulse  y ENERGÍA juntos durante 2 segundos para CAMBIAR entre Fahrenheit y Celsius.

Códigos de fallos

Si muestra "E" y "F", contacte a Sears o otro centro de servicio cualificado para la reparación de la unidad.

Si la temperatura en el refrigerador es demasiado alta, el control destellará "H", y una alarma sonará durante 30 segundos. Un minuto después, la alarma seguirá sonando durante otros 30 segundos.

Después de tres veces, la alarma no sonará más. Puede pulsar cualquier tecla para cancelar la alarma sonora.

Almacenar demasiadas latas o botellas en el refrigerador puede hacer que la temperatura en el refrigerador aumente temporalmente.

Sonidos Normales de Funcionamiento Pueden Oírse

A veces es posible que oiga el agua hirviendo, gorgoteo, etc, que es el resultado de que el refrigerante circula a través de los serpentines de enfriamiento.

CUIDADO Y LIMPIEZA

Limpieza y Mantenimiento

ADVERTENCIA: Para evitar una descarga eléctrica, desenchufe siempre su nevera de vinos antes de limpiarla. La ignorancia de esta advertencia puede tener como resultado la muerte o herida.

AVISO: Antes de utilizar productos de limpieza, lea siempre y entienda los procesos de limpieza explicados en este manual. Siga las instrucciones y advertencias del fabricante del producto de limpieza para evitar heridas personales o daños al producto.

Limpieza General

Prepare una solución de limpieza de 1 a 2 cucharones de bicarbonato de soda mezclado con agua tibia. Utilice una esponja o trapo suave, humedecido con la solución de limpieza, para limpiar su nevera de vinos.

Aclare con agua tibia limpia y seque con un trapo suave.

No utilice sustancias químicas fuertes, abrasivos, amoníaco, lejía de cloro, detergentes concentrados, disolventes o estropajos metálicos. Algunas de estas sustancias químicas pueden disolver, dañar y/o decolorar su nevera de vinos.

Juntas de la Puerta

Limpie las juntas de la puerta cada tres meses conforme a las instrucciones descritas antes en Limpieza General.

Aplique una ligera capa de vaselina en el lado de bisagras de las juntas de la puerta para mantener las juntas flexibles y garantizar un buen sellado.

Interrupciones de Alimentación

Ocasionalmente puede haber interrupciones de alimentación debido a tormentas u otras causas. Quite el enchufe del cable de alimentación de la toma de corriente de CA cuando se produzca un apagón. Mantenga la puerta de la nevera de vinos cerrada para conservar el frescor del compartimiento en la medida de lo posible. Después de un apagón prolongado, tiene que limpiar el interior del compartimiento de la nevera antes de volver a usarla.

Cuidado Durante Vacaciones y Movimiento

Para vacaciones o ausencias largas, desenchufe la unidad, quite las botellas de vino de la nevera de vinos, gire el dial de temperatura a la posición APAGADO y limpie las juntas de la puerta según la sección de Limpieza General. Sostenga la puerta abierta, de modo que el aire pueda circular por el interior. Al mover la nevera de vinos, siempre manténgala en una posición vertical. No mueva la unidad cuando esté en una posición horizontal, ya que podrían producirse daños al sistema de sellado.

BÚSQUEDA DE FALLOS

<p>El Refrigerador de Vino no funciona.</p>	<p>Compruebe si el control de la temperatura está en la posición APAGADO. Compruebe si el refrigerador de vino está enchufado Compruebe si haya corriente en la toma de CA revisando el interruptor de circuito.</p>
<p>La temperatura del compartimiento es notablemente más caliente o más frío que la temperatura configurada.</p>	<p>El problema se puede resolver si sólo desactiva la alimentación del refrigerador de vino durante 5 minutos y vuelve a iniciarlo. Si la temperatura es demasiado caliente, lo comprobamos por varias horas después para ver si se ha enfriado a la temperatura de ajuste. Si la temperatura es demasiado fría, compruebe al día siguiente para ver si se ha calentado a la temperatura programada.</p>
<p>El interior del refrigerador del vino no es frío.</p>	<p>La puerta del refrigerador de vino se abre con demasiada frecuencia. Deje la puerta cerrada durante 4 a 5 horas para restaurar el nivel frescor deseado.</p>
<p>El enfriador de vino no se enfría.</p>	<p>Pulse el botón ENERGÍA, compruebe si se ha conectado la fuente de alimentación.</p>
<p>LED no se enciende.</p>	<p>Lleve la unidad a Sears o proveedor de servicio autorizado para la reparación de la lámpara LED.</p>
<p>La puerta de cristal tiene gotas de condensación de agua</p>	<p>La condensación en el cristal de la puerta es normal cuando el clima es cálido o húmedo. Si la puerta se mantiene abierta demasiado tiempo o se abre con demasiada frecuencia, se puede producir condensación. Si el refrigerador no está nivelado, la puerta se pierda la alineación, lo que produce un pequeño espacio de aire que puede provocar condensación. Utilice las patas de ajuste para nivelar la unidad. Para eliminar la condensación, limpie el cristal de la puerta con un paño suave y deje la puerta cerrada durante 4 a 5 horas para reducir aún más la incidencia de condensación.</p>