



Husqvarna®

DT600

EAC

EN	Operator's manual	2-12
BG	Ръководство за експлоатация	13-22
CS	Návod k použití	23-32
DA	Brugsanvisning	33-42
DE	Bedienungsanweisung	43-52
EL	Οδηγίες χρήσης	53-62
ES	Manual de usuario	63-72
ET	Kasutusjuhend	73-81
FI	Käyttöohje	82-91
FR	Manuel d'utilisation	92-101
HU	Használati utasítás	102-111
LT	Operatoriaus vadovas	112-121
LV	Lietošanas pamācība	122-131
NL	Gebruiksaanwijzing	132-141
NO	Bruksanvisning	142-150
PL	Instrukcja obsługi	151-160
PT	Manual do utilizador	161-170
RO	Instrucțiuni de utilizare	171-180
RU	Руководство по эксплуатации	181-191
SK	Návod na obsluhu	192-201
SL	Navodila za uporabo	202-211
SV	Bruksanvisning	212-221
TR	Kullanım kılavuzu	222-231
IT	Manuale dell'operatore	232-241
ZH	操作手册	242-249

Contents

Introduction.....	2	Maintenance.....	8
Safety.....	3	Transportation, storage and disposal.....	8
Assembly.....	7	Technical data.....	9
Operation.....	8	Declaration of Conformity.....	11

Introduction

Product description

We have a policy of continuous product development and therefore reserve the right to modify the design and appearance of the products without prior notice.

Note: This manual cover both gasoline operated and battery operated power units.

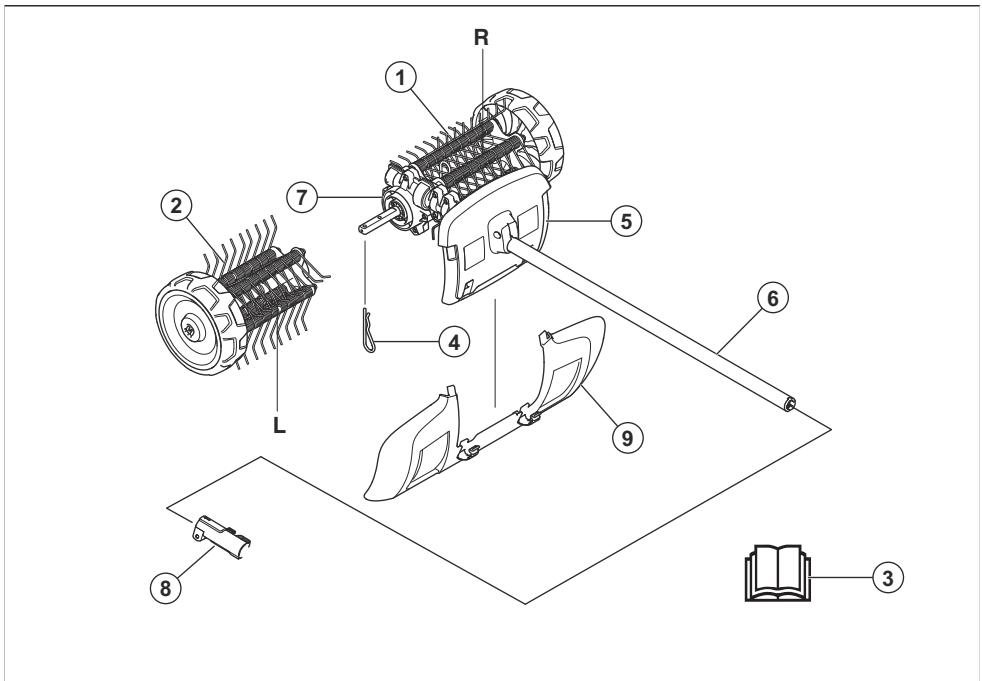
Intended use



WARNING: This attachment may only be used together with the intended product, see the accessory chapter in the Operator's Manual of the product.

The attachment is designed only to dethatch lawns from moss.

Attachment overview



- | | |
|--------------------------------|---|
| 1. Moss dethatcher right | 7. Gear housing |
| 2. Moss dethatcher left | 8. Shaft coupling (Included with the product) |
| 3. Operator's manual | 9. Splash guard |
| 4. Split pin | |
| 5. Guard (Protection on shaft) | |
| 6. Shaft | |

Symbols on the attachment and on the power unit



Careless or incorrect use of this attachment can result in serious or fatal injury to the operator or others.



Read the operator's manual carefully and make sure you understand the instructions before you use the attachment.



Use approved hearing protection. Use approved eye protection. Use a breathing mask when there is a risk of dust.



This attachment is in accordance with applicable EC directives.



This product conforms to applicable UK regulations.



Rotating parts. Keep hands and feet clear. The arrow indicates the direction of rotation.



Always wear approved protective gloves.



Wear sturdy, non-slip boots.



Watch out for thrown objects and ricochets.



The operator must ensure that no people or animals come closer than 15 m. When several operators are working at the same site a safety distance of at least 15 m must be in effect. The attachment can forcibly throw objects that can bounce back. This can result in serious eye injuries if the recommended safety equipment is not used.



Keep a minimum of 15 m / 50 ft distance to persons and animals during operation of the product.



Keep all parts of your body away from the hot surfaces.



Noise emission to the environment label as per EU and UK directives and regulations, and New South Wales legislation "Protection of the Environment Operations (Noise Control) Regulation 2017". The guaranteed sound power level of the product is specified in *Technical data on page 9* and on the label.

Note: Other symbols/decals on the attachment refer to special certification requirements for certain markets.

Safety

Safety definitions

Warnings, cautions and notes are used to point out specially important parts of the operator's manual.



WARNING: Used if there is a risk of injury or death for the operator or bystanders if the instructions in the manual are not obeyed.



CAUTION: Used if there is a risk of damage to the product and/or the attachment, other materials or the adjacent area if the instructions in the manual are not obeyed.

Note: Used to give more information that is necessary in a given situation.

General safety instructions



WARNING: Read the safety instructions that follow before you use the attachment.

- Please read the operator's manual carefully and make sure you understand the instructions before using the attachment.
- These instructions supplement the instructions that were included with the product. For other procedures, please refer to the operating instructions for the product.
- Under no circumstances may the design of the attachment be modified without the permission of the manufacturer. Do not use an attachment that appears to have been modified by others and always use original accessories. Non-authorized modifications and/or accessories can result in serious personal injury or the death of the operator or others.

Read all instructions



WARNING: When using electric gardening appliances, basic safety precautions should always be followed to reduce the risk of fire, electric shock, and personal injury, including the following:

Detacher safety instructions

- Never allow children, persons with reduced physical, sensory or mental capabilities or lack of experience and knowledge or people unfamiliar with these instructions to use the product. Local regulations may restrict the age of the operator.
- Never operate the product while people, especially children, or pets are nearby.
- Do not overreach and keep the balance at all times. To always be sure of the footing on slopes, walk, never run.
- Do not touch moving hazardous parts before the machine is disconnected from the mains and the moving hazardous parts have come to a complete stop.
- Always wear substantial footwear and long trousers while operating the machine.
- Remove the battery from the product whenever the product is unattended, before clearing a blockage and before cleaning or working on the product.
- Remove the battery from the product before an examination for damages on the product is done when, for example, a foreign object is hit or if the product starts to vibrate abnormally.
- Do not connect a damaged cord to the supply and do not touch a damaged cord before it is disconnected from the power supply. A damaged

cord can lead to contact with live parts and can result in injury or death.

- Never operate the product with defective guards/shields, without safety devices, or if the cord is damaged or worn.
- Keep extension cords away from moving hazardous parts to avoid damages to the cords which can lead to contact with live parts.
- Only connect the product to a power supply circuit protected by a residual current device (RCD) with a tripping current of not more than 30 mA.
- Avoid using the product in bad weather conditions especially when there is a risk of lightning.

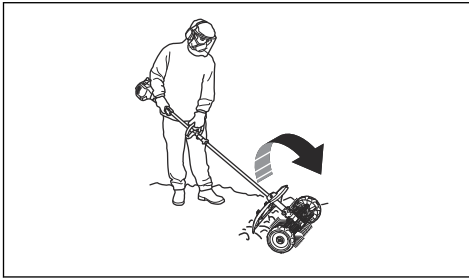
Safety instructions for operation



WARNING: Read the warning instructions that follow before you use the product.

- The stop switch automatically returns to the start position. Make sure to prevent unintentional starting when assembling, checking and/or performing maintenance. If you have a gasoline operated product, disconnect the spark plug cap from the spark plug. If you have a battery operated product, remove the battery.
- Watch out for thrown objects. Always wear eye protection. Never lean over the moss dethatcher. Stones, rubbish, etc. can be thrown up into the eyes causing blindness or serious injury.
- The gear can get hot during use and may remain so for a while afterwards. You could get burnt if you touch it.
- Although the brush drums do not have the same force as lawn mower blades, for example, you should avoid working with materials that can cause personal injury or damage to property if thrown out.
- Do not use the machine unless you are able to call for help in the event of an accident.
- Only use the machine for the purpose it was intended for.
- Never use the machine if you are tired, if you have drunk alcohol, or if you are taking medication that could affect your vision, your judgement or your coordination.
- Never use the machine in extreme weather conditions such as severe cold, very hot and/or humid climates.
- Never use a machine that is faulty. Carry out the safety checks, maintenance and service instructions described in this manual. Some maintenance and service measures must be carried out by trained and qualified specialists. See instructions under the Maintenance heading.
- Never allow children to use the machine.
- Never allow anyone else to use the machine without first ensuring that they have read and understood the contents of the operator's manual.

- Keep unauthorised persons at a distance. Children, animals, onlookers and helpers should be kept outside the safety zone of 15 m while you work. Stop the machine immediately if anyone approaches.
- If you encounter a situation where you are uncertain how to proceed you should ask an expert. Contact your dealer or your service workshop.
- Avoid all usage which you consider to be beyond your capability.
- Observe your surroundings and make sure that there is no risk of people or animals coming in contact with or affect your control of the product.
- Listen out for warning signals or shouts when you are wearing hearing protection. Always remove your hearing protection as soon as the engine/motor stops.
- Do not use the machine in bad weather, such as dense fog, heavy rain, strong wind, intense cold, etc. Working in bad weather is tiring and often brings added risks, such as icy ground.
- Make sure you can move and stand safely. Check the area around you for possible obstacles (roots, rocks, branches, ditches, etc.) in case you have to move suddenly. Take great care when working on sloping ground.



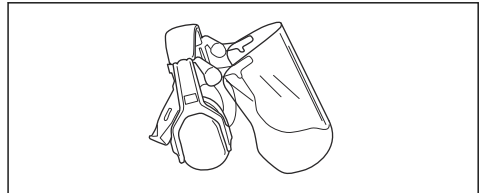
- The engine/motor must be switched off before moving.
- Never put the machine down with the engine/motor running unless you have it in clear sight.
- Always use both hands to hold the machine. Hold the machine at the side of your body.
- Make sure hands and feet do not come near the moss dethatcher when it is running.
- When the engine/motor is switched off, keep your hands and feet away from the moss dethatcher until it has stopped completely.
- If heavy vibration occurs, stop the machine. If you have a gasoline operated product, disconnect the HT lead from the spark plug. If you have a battery operated product, remove the battery from the product. Make sure that the machine is not damaged. Repair any damage.

Personal protective equipment

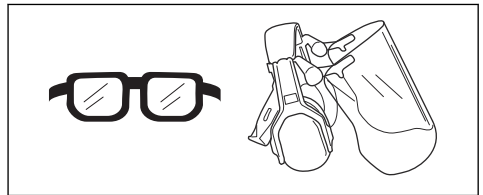


WARNING: Read the warning instructions that follow before you use the product.

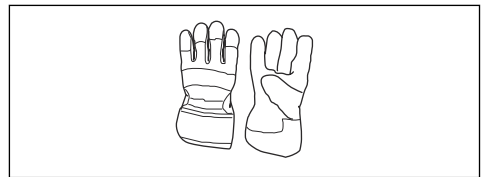
- Always use approved personal protective equipment when you use the product. Personal protective equipment cannot fully prevent injury but it decreases the degree of injury if an accident does occur. Let your dealer help you select the right equipment.
- Use approved hearing protection that provides adequate noise reduction. Long-term exposure to noise can result in permanent hearing impairment.



- Use approved eye protection. If you use a visor, you must also use approved protective goggles. Approved protective goggles must comply with the ANSI Z87.1 standard in the USAs or EN 166 in EU countries.



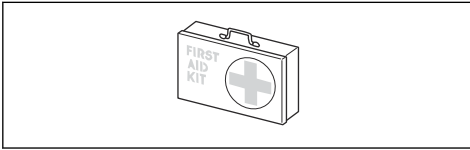
- Use gloves when necessary, for example when you attach, examine or clean the cutting equipment.



- Use protective boots with steel toes and non-slip soles.



- Use clothing made of a strong fabric. Always use heavy, long pants and long sleeves. Do not use loose clothing that can catch on twigs and branches. Do not wear jewelry, short pants, sandals or go with bare feet. Put your hair up safely above shoulder level.
- Keep first aid equipment close at hand.



Safety devices on the attachment



WARNING: Read the warning instructions that follow before you use the attachment.

This section contains the attachment's safety features, its purpose and how checks and maintenance should be carried out to ensure that it operates correctly. See instructions under the heading *Attachment overview on page 2* to find where these parts are located on your attachment.

The life span of the attachment can be reduced and the risk of accidents can increase if attachment maintenance is not carried out correctly and if service and/or repairs are not carried out professionally. If you need further information please contact your nearest servicing dealer.



WARNING: Never use an attachment with defective safety components. The attachment's safety equipment must be inspected and maintained as described in this section. If your attachment fails any of these checks, contact your service agent to get it repaired.



WARNING: All servicing and repair work on the product requires special training. This is especially true of the product's safety equipment. If your product

fails any of the checks described below you must contact your service agent. When you buy any of our products we guarantee the availability of professional repairs and service. If the retailer who sells your product is not a servicing dealer, ask him for the address of your nearest service agent.

Safety instructions for maintenance



WARNING: Read the warning instructions that follow before you do maintenance.

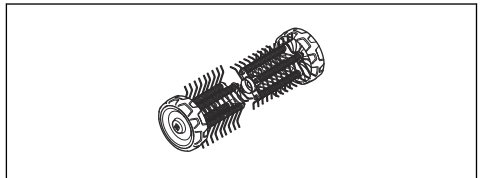


WARNING: Always stop the product before you do maintenance on the attachment. Be careful, the attachment can continue to move after the power/throttle trigger is released. Make sure that the attachment has stopped fully. If you have a gasoline operated product, disconnect the HT lead from the spark plug. If you have a battery operated product, remove the battery.



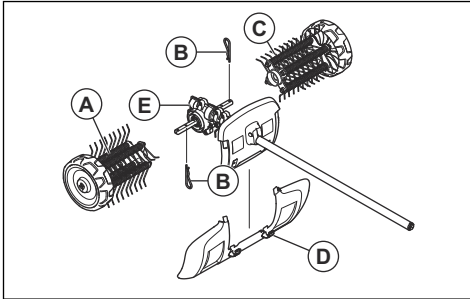
WARNING: Always use protective gloves.

- Check the entire product before starting. Check that all guards and covers are complete and fastened securely. Check all nuts and screws.
- If you have a gasoline operated product, check that there are no fuel leaks.
- Replace damaged parts.



Assembly

To assemble the attachment

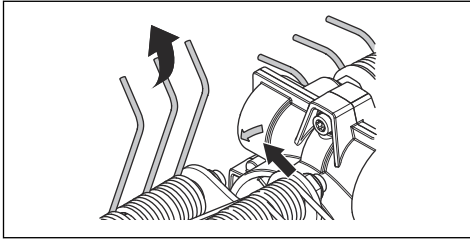


The arrow on the gear housing indicates the direction of rotation. The gear housing is to be placed as illustrated.

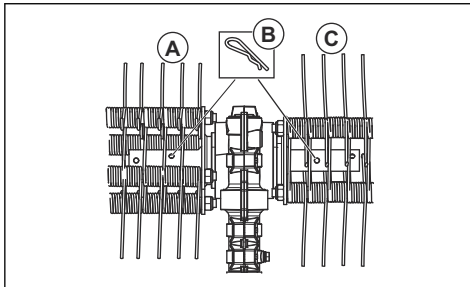
IMPORTANT:

The moss dethatcher rollers are marked with arrows showing the direction of the rotation. Make sure the moss dethatcher rollers are fitted correctly.

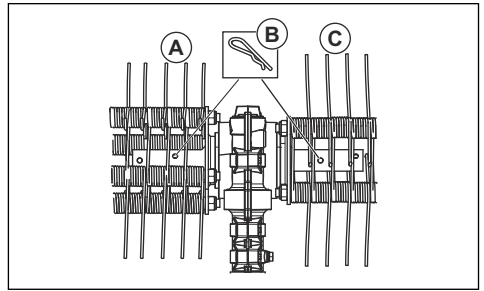
The moss dethatcher rollers must be fitted slightly displaced in relation to each other. The moss dethatcher springs should point in the same direction as the rotation direction arrow shown on the gear housing.



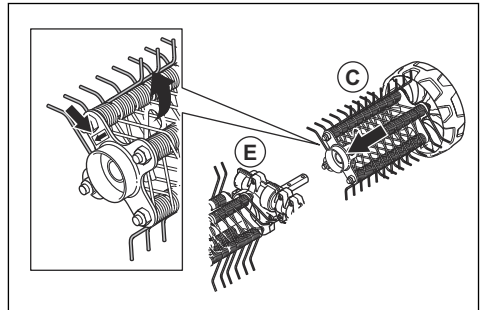
1. Press the left moss dethatcher (A) onto the left drive shaft from the gear housing (E).



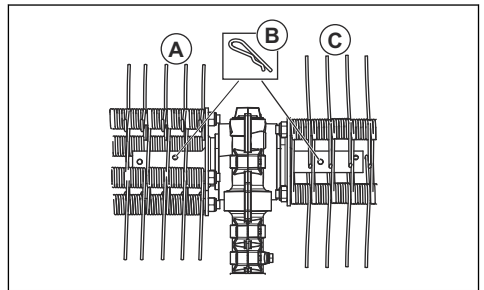
2. Fasten the moss dethatcher roller with split pin (B) into the inner hole in the shaft.



3. Press the right moss dethatcher (C) onto the right drive shaft from the gear housing (E).



4. Fasten the moss dethatcher roller with split pin (B) into the inner hole in the shaft.



5. Mount the splash guard with the snap-on fasteners (D).

Note: For assembling accessories on basic product, refer to the manual of the basic product.

Operation

To start the product with a cold engine

If you have a gasoline operated product, obey these instructions to start the product with a cold engine.

1. Run the basic product warm and then shut down the product.
2. Mount the attachment as per the assembly instructions.
3. When adjusting the carburettor, make sure that the dethatcher is held against the ground and that no one else is in the vicinity.
4. Keep the moss dethatcher idling.
5. Make sure that the handle and safety features are in good working order. Never use a product that lacks a part or has been modified outside its specifications.

Note: It is both tiring and unnecessary to lift or hold the moss dethatcher above the surface when working.

2. Keep an acute working angle to the surface. With a large working angle, the moss dethatcher tends to move towards you and you risk losing control of the product.



To use the attachment

1. Run the moss dethatcher at full gas (or nearly full gas) with the wheels resting on the surface.

Maintenance

Introduction

Below you will find some general maintenance instructions. If you need further information please contact your service workshop.

To perform maintenance on the attachment



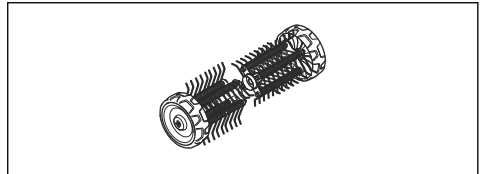
CAUTION: Much work on the moss dethatcher is often done in dusty conditions. If you have a gasoline operated product, it is extremely important that the air filter is inspected regularly, often daily, and oiled in order to work satisfactorily.

Refer to the operator's manual of the power unit for maintenance instructions.



WARNING: The gear housing gets hot when the product has been in use. To avoid burning yourself do not touch the gear housing.

1. Make sure that the moss dethatcher does not rotate when the power/throttle trigger is released.



2. Clean the wheels if they are not rotating freely.



WARNING: Always wear protective gloves when you perform maintenance on the attachment.

Transportation, storage and disposal

Transport and storage

If transporting the attachment on another vehicle always use approved securing devices and make sure that the attachment is securely held.

Ensure the attachment is cleaned and that a complete service is carried out before long-term storage.

Technical data

Technical data for gasoline operated products

Moss dethatcher	DT600
Width, mm	556
Weight	
Weight, kg	6.5
Noise emissions ¹	
Sound power level, measured dB (A)	105
Sound power level, guaranteed L _{WA} dB (A)	109
Sound levels ²	
Equivalent sound pressure level at the operator's ear, measured according to EN ISO 22868 , dB (A):	95
Vibrations ³	
Equivalent vibration levels (a _{h_{v,eq}}) at handles, measured according to EN ISO 22867, m/s ²	
Front/rear handles	6.2/4.3

Technical data for battery operated products

325iLK + Dethatcher attachment DT600	
Width, mm	556
Weight	
Weight, kg	2.3+6.5
Noise emissions ⁴	
Sound power level, measured dB (A)	89
Sound levels ⁵	

¹ Measured together with Husqvarna approved accessories. Noise emissions in the environment measured as sound power (L_{WA}) in conformity with EC directive 2000/14/EC. Reported sound power level for the machine has been measured with the original cutting attachment that gives the highest level. The difference between guaranteed and measured sound power is that the guaranteed sound power also includes dispersion in the measurement result and the variations between different machines of the same model according to Directive 2000/14/EC.

² Measured together with Husqvarna approved accessories. Reported data for equivalent sound pressure level for the machine has a typical statistical dispersion (standard deviation) of 1 dB (A).

³ Measured together with Husqvarna approved accessories. Reported data for equivalent vibration level has a typical statistical dispersion (standard deviation) of 1 m/s².

⁴ Reported data for sound power level for the machine has a typical statistical dispersion (stand-ard deviation) of 3 dB (A) and has been measured with the original attachment that gives the highest level.

⁵ Reported data for sound pressure level for the machine has a typical statistical dispersion (stand-ard deviation) of 3 dB (A) and has been measured with the original attachment that gives the highest level.

325iLK + Dethatcher attachment DT600	
Sound pressure level at the operator's ear, measured according to EN ISO 22868 , dB (A):	77
Vibrations ⁶	
Vibration levels at handles, measured according to EN 62841-1, m/s ²	
Front/rear handles	1.9/2.6
Equipped with approved accessory (original), left/right	1.9/2.6

⁶ Reported data for vibration level has a typical statistical dispersion (standard deviation) of 2 m/s². For comparison of vibrations levels, battery and combustion products use vibration calculator. <https://www.husqvarna.com/uk/services-solutions/vibration-calculator/>.

Declaration of Conformity

EU Declaration of Conformity

We, **Husqvarna AB**, SE-561 82 Huskvarna, Sweden, tel: +46-36-146500, declare on our sole responsibility that the product:

Description	Moss dethatcher
Brand	Husqvarna
Type / Model	DT600
Identification	Serial numbers dating from 2022 and onwards

complies fully with the following EU directives and regulations:

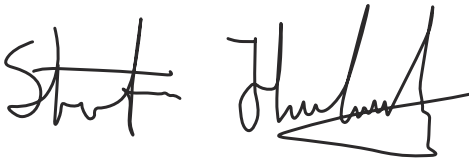
Directive / Regulation	Description
2006/42/EC	"relating to machinery"
2000/14/EC	"relating to the noise emissions in the environment"
2011/65/EU	"on the restriction of the use of certain hazardous substances in electrical and electronic equipment "

and that the following standards and/or technical specifications are applied: EN ISO 12100:2010, EN IEC 63000:2018

RISE SMP Svenska Maskinprovning AB, Box 7035, SE-750 07 Uppsala, Sweden has performed voluntary type examination on behalf of Husqvarna AB.

Certificate number: SEC/15/2411

Huskvarna , 2022-03-14



Stefan Holmberg, R&D Director, Technology Management, Husqvarna AB

Responsible for technical documentation



UK Declaration of Conformity

We, **Husqvarna AB**, SE-561 82 Huskvarna, Sweden, tel: +46-36-146500, declare on our sole responsibility that the product:

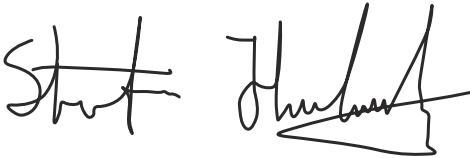
Description	Moss dethatcher
Brand	Husqvarna
Type / Model	DT600
Identification	Serial numbers dating from 2022 and onwards

complies fully with the following UK regulations:

Description
The Supply of Machinery (Safety) Regulations 2008
The Noise Emission in the Environment by Equipment for use Outdoors Regulations 2001
The Restriction of the Use of Certain Hazardous Substances in Electrical and Electronic Equipment Regulations 2012

and that the following standards and/or technical specifications are applied: EN ISO 12100:2010, EN IEC 63000:2018.

Huskvarna , 2022-03-14



Stefan Holmberg, R&D Director, Technology Management, Husqvarna AB

Responsible for technical documentation

**UK
CA**

UK Importer:
Husqvarna UK Ltd
Preston Road, Co. Durham
DL5 6UP

Съдържание

Въведение.....	13	Поддръжка.....	20
Безопасност.....	14	Транспортиране, съхранение и изхвърляне.....	20
Монтаж.....	18	Технически данни.....	20
Операция.....	19	Декларация за съответствие.....	22

Въведение

Описание на продукта

Ние имаме политика на непрекъснато развитие на своите продукти и затова запазваме правото си да променяме тяхната конструкция и външен вид без предизвестие.

Забележка: Това ръководство обхваща както бензинови, така и захранвани с акумулаторни батерии захранващи блокове.

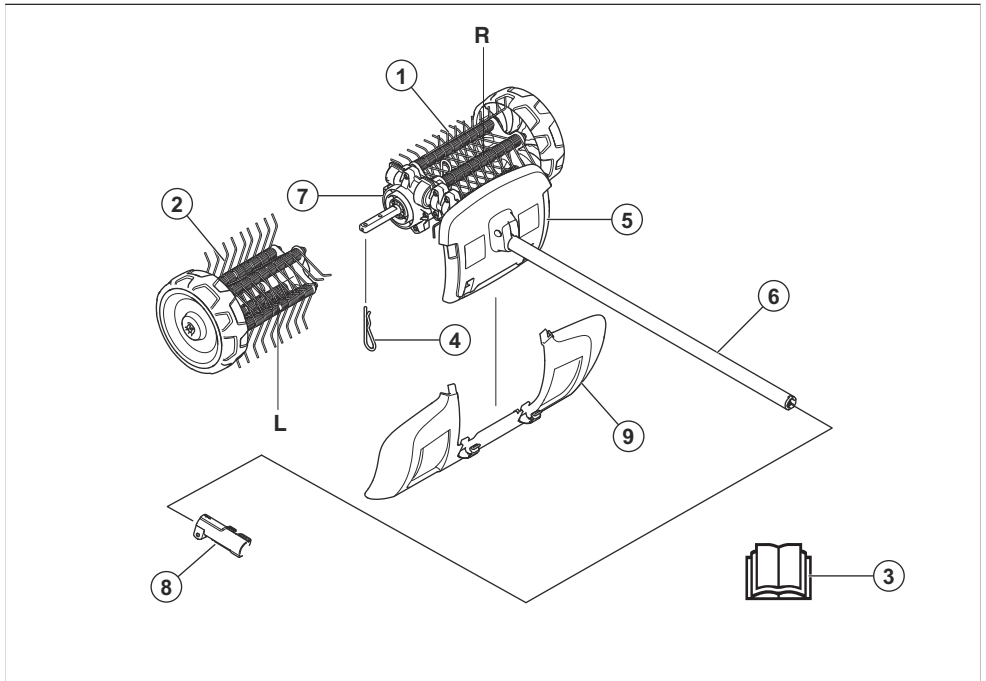
Предназначение



ПРЕДУПРЕЖДЕНИЕ: Тази приставка може да се използва единствено заедно с предназначения продукт, вижте главата за аксесоари в ръководството за оператора на продукта.

Приставката е предназначена единствено за премахване на мъх от морави.

Общ преглед на приставка



1. Десен вертикутир за премахване на мъх
2. Ляв вертикутир за премахване на мъх
3. Ръководство за оператора
4. Шплинт
5. Предпазител (защита на двусекционния вал)
6. Вал
7. Корпус на предавката
8. Съединение на вала (включено с продукта)
9. Предпазител срещу разплискване

Символи върху приставката и захранващия блок



Невнимателното или неправилното използване на тази приставка може да доведе до сериозно или смъртоносно нараняване на оператора или други лица.



Прочетете внимателно ръководството за оператора и се уверете, че разбирате инструкциите, преди да използвате приставката.



Използвайте одобрена защита на слуха. Използвайте одобрени защитни средства за очите. Използвайте предпазната маска, когато има опасност от прах.



Тази приставка отговаря на изискванията на приложимите директиви на ЕО.



Този продукт съответства на приложимите регламенти на Обединеното кралство.



Въртящи се части. Осигурете пространство около ръцете и краката си. Стрелката показва посоката на въртене.



Винаги носете одобрени защитни ръкавици.



Носете устойчиви и нехлъзгащи се ботуши.



Пазете се от изхвърлени и рикоширащи предмети.



Операторът трябва да внимава да не се приближават хора или животни в радиус от 15 m. Когато няколко оператора работят в един и същ обект, трябва да се спазва безопасно разстояние от поне 15 m. Приставката може да изхвърли предмети с голяма сила, които да отскочат обратно. Това може да доведе до сериозни наранявания на очите, ако не се използват препоръчителните предпазни средства.



Поддържайте минимално разстояние от 15 m/50 ft спрямо хора и животни по време на работа с продукта.



Пазете всички части на тялото си далеч от горещите повърхности.



Етикет за шумовите емисии за околната среда съгласно директивите и регламентите на ЕС и Обединеното кралство и законодателството на Нов Южен Уелс "Регламент 2017 относно защитата от дейности, оказващи влияние на околната среда (контрол на шума)". Гарантираното ниво на звуковата мощност на продукта е посочено в *Технически данни на страница 20* и на етикета.

Забележка: Останалите символи/стикери върху приставката се отнасят за специфични изисквания по отношение на сертификати за определени пазари.

Безопасност

Дефиниции за безопасност

Предупреждения, знаци за внимание и бележки се използват за указване на особено важни части на инструкцията за експлоатация.



ПРЕДУПРЕЖДЕНИЕ: Използва се, ако има опасност от нараняване или смърт за оператора или за околните,

ако не се спазват инструкциите в ръководството.



ВНИМАНИЕ: Използва се, ако има опасност от повреждане на продукта и/или приставката, други материали или съседната зона, ако не се спазват инструкциите в ръководството.

Забележка: Използва се за предоставяне на повече информация, която е необходимо в дадена ситуация.

Общи инструкции за безопасност



ПРЕДУПРЕЖДЕНИЕ: Прочетете следващите инструкции за безопасност, преди да използвате приставката.

- Прочетете внимателно ръководството за оператора и се уверете, че разбирате инструкциите, преди да използвате приставката.
- Тези инструкции допълват инструкциите, приложени към продукта. За други процедури, моля, направете справка с инструкциите за работа за продукта.
- При никакви обстоятелства не бива да се нанасят модификации в първоначалната конструкция на приставката без разрешение от производителя. Не използвайте дадена приставка, когато се вижда, че е модифицирана от други лица, и винаги използвайте оригинални принадлежности. Неразрешени изменения и/или приспособления може да предизвикат сериозни телесни повреди или смъртта на оператора или други лица.

Прочетете всички инструкции



ПРЕДУПРЕЖДЕНИЕ: Когато използвате електрически градинарски инструменти, основните инструкции по техника за безопасност трябва винаги да се спазват, за да се намали опасността от пожар, електрически удар и телесна повреда, включително следното:

Инструкции за безопасност на вертикутир

- Никога не позволявайте на деца, хора с намалени физически, сетивни или умствени способности или без знания и опит или хора, които не са запознати с тези инструкции, да използват продукта. Местните разпоредби може да поставят възрастови ограничения за оператора.
- Никога не работете с уреда, когато наблизко има други хора, деца или домашни животни.
- Не се пресягайте и пазете равновесие по всяко време. По наклони винаги трябва да имате солидна опора под краката си; вървете, никога не бягайте.
- Не докосвайте движещи се опасни части, преди захранването на машината да бъде прекъснато от мрежата и движещите се опасни части да са напълно спрени.

- Винаги носете подходящи обувки и дълги панталони, докато работите с машината.
- Извадете акумулаторната батерия от продукта, когато той е без надзор, преди почистване на задръстване и преди почистване или работа върху продукта.
- Извадете акумулаторната батерия от продукта преди извършване на преглед за повреди на продукта, например при удар на чужд предмет или ако продуктът започне да вибрира по необичаен начин.
- Не свързвайте повреден шнур към захранването и не докосвайте повреден шнур, преди да бъде прекъснат от захранването. Повреден шнур може да доведе до контакт с части под напрежение и може да доведе до нараняване или смърт.
- Никога не работете с продукт, който е с дефектни предпазители/щитове, без приспособления за безопасност или ако шнурът е повреден или износен.
- Дръжте разклонителите далеч от движещи се опасни части, за да избегнете повреди на шнуровите, което може да доведе до контакт с части под напрежение.
- Свързвайте продукта само към електрозахранваща верига, защитена от устройство с остатъчен ток (RCD) с ток на изключване, не повече от 30 mA.
- Избягвайте използването на продукта в лоши метеорологични условия, особено когато има опасност от мълния.

Инструкции за безопасност за работа



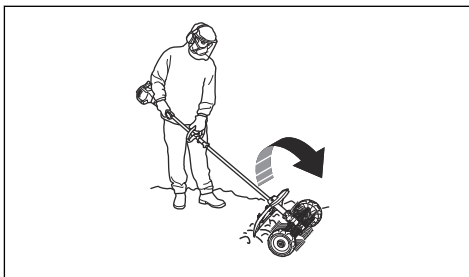
ПРЕДУПРЕЖДЕНИЕ: Прочетете следващите предупредителни указания, преди да използвате машината.

- Изключвателят автоматично се връща в първоначалното си положение. Не забравяйте да не допускате нежелано стартиране, когато сглобявате, проверявате и/или извършвате техническо обслужване. Ако имате продукт, който работи с бензин, разкачете лулата на запалителната свещ от запалителната свещ. Ако имате продукт, работещ с акумулатор, извадете акумулатора.
- Опасност от хвърчащи предмети. Винаги носете защитни средства за очите. Никога не се навеждайте над приспособлението за премахване на мъх. В очите ви могат да попаднат камъни и отпадъци, които могат да доведат до слепота или сериозно наранявания.
- По време на работа и доста време след това, предавката може да е нагорещена. При допир съществува риск от изгаряне.
- Барабанът с четки няма такава сила като ножовете на косачката например, но все пак

избягвайте да работите с материали, които могат да изхвъркнат и да причинят наранявания или щети.

- Не работете никога с машината, когато нямате възможност да повикате помощ в случай на злополука.
- Използвайте машината единствено по предназначение.
- Никога не използвайте машината, ако сте уморени, употребили сте алкохол или приемате лекарства, които могат да повлияят върху зрението, преценката или координацията Ви.
- Никога не използвайте машината при екстремни атмосферни условия, например много студен, много горещ и/или влажен климат.
- Никога не използвайте машина, която е неизправна. Извършвайте описаните в това ръководство за експлоатация редовни проверки за безопасност, поддръжка и сервис. Определени операции по поддръжката и сервиса се извършват единствено от квалифицирани специалисти. Вижте указанията в раздел "Поддръжка".
- Никога не позволявайте на деца да използват машината.
- Не позволявайте никой друг да използва машината, без първо да сте се уверили, че е прочел и разбрал съдържанието на инструкцията за експлоатация.
- Дръжте неупълномощени лица на разстояние. Деца, животни, странични наблюдатели и помощници трябва да стоят извън зоната на безопасност от 15 m, докато работите. Спрете незабавно машината, ако някой се приближи.
- Ако се окажете в ситуация, в която сте неуверени как да постъпите, се посъветвайте със специалист. Свържете се с дистрибутора или със сервиса.
- Избягвайте всяка употреба, за която се чувствате недостатъчно квалифицирани.
- Наблюдавайте околната среда и се уверете, че няма риск за хора или животни да влязат в съприкосновение или да попречат да управлявате продукта.
- Бъдете винаги нащрек за предупредителни сигнали или подвиквания, когато използвате антифони. Винаги сваляйте антифоните незабавно след спиране на двигателя/мотора.
- Не използвайте машината при лоши атмосферни условия, като например при гъста мъгла, силен дъжд, силен вятър, много ниски температури и т.н. Работата при лоши атмосферни условия е изморителна и често води със себе си допълнителни рискове, като например заледена повърхност.
- Уверете се, че можете да ходите и да стоите безопасно. Проверете за евентуални препятствия (корени, камъни, храсти, канавки и т.н.), в случай че се наложи да се преместите внезапно. Бъдете

много предпазливи при работа по наклонен терен.



- Преди преместване двигателят/моторът трябва да е изключен.
- Никога не оставяйте машината без надзор, докато двигателят/моторът работи.
- Винаги дръжте машината с две ръце. дръжте машината встрани от тялото си.
- Уверете се, че ръцете и краката Ви не са твърде близко до вертикутира за премахване на мъх, когато работи.
- Когато двигателят/моторът е изключен, пазете ръцете и краката си от вертикутира за премахване на мъх, докато той не спре окончателно.
- Ако възникнат интензивни вибрации, спрете машината. Ако имате продукт, работещ с бензин, разкачете HT проводника от запалителната свещ. Ако имате продукт, работещ с акумулатор, извадете акумулатора от продукта. Уверете се, че машината не е повредена. Поправете всяка повреда.

Лични предпазни средства



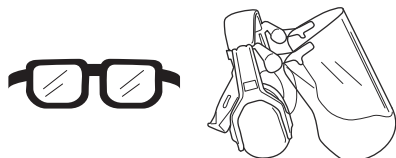
ПРЕДУПРЕЖДЕНИЕ: Прочетете следващите предупредителни указания, преди да използвате машината.

- При работа с продукта винаги използвайте одобрени лични предпазни средства. Личните предпазни средства не изключват изцяло риска от нараняване, но намаляват степента на нараняването при злополука. Нека вашият дилър Ви помогне да изберете подходящото оборудване.
- Използвайте одобрени антифони, осигуряващи подходящо намаляване на шума. Дълготрайното

излагане на шум може да доведе до постоянно влошаване на слуха.



- Използвайте одобрени защитни средства за очите. Ако използвате маска, използвайте също и одобрени защитни очила. С одобрени защитни очила се има предвид такива, които отговарят на стандарт ANSI Z87.1 за САЩ или EN 166 за страните от ЕС.



- Когато е необходимо, носете ръкавици, например, когато закрепвате, проверявате или почиствате режещото оборудване.



- Използвайте защитни ботуши със стоманени бомбета и противоплъзгаща подметка.



- Използвайте дрехи, направени от здрава тъкан. Винаги използвайте здрави, дълги панталони и дълги ръкави. Не носете използвайте дрехи, които могат да се захванат за храсти и клони. Не носете бижута, къси панталони, сандали и не работете боси. Носете косата си безопасно над нивото на рамената.

- Дръжте в близост комплект за първа помощ.



Приспособления за безопасност по приставката



ПРЕДУПРЕЖДЕНИЕ: Прочетете следващите предупредителни инструкции, преди да използвате приставката.

В този раздел се описват функциите за безопасност на приставката, нейното предназначение и как трябва да се извършват проверки и техническо обслужване, за да се гарантира правилната работа. Вижте инструкциите под заглавието *Общ преглед на приставка на страница 13*, за да откриете къде се намират тези части по приставката Ви.

Срокът на експлоатация на приставката може да се намали, а рискът от злополуки да се повиши, ако не се извършва правилно техническо обслужване на приставката и ако сервизът и/или ремонтите не се извършват професионално. Ако Ви е необходима допълнителна информация, обърнете се към сервизния дистрибутор, разположен най-близко до Вас.



ПРЕДУПРЕЖДЕНИЕ: Никога не използвайте приставка с дефектни обезопасителни компоненти. Предпазните средства на приставката трябва да бъдат прегледвани и технически обслужвани така, както е описано в този раздел. Ако приставката Ви не премине успешно някоя от изброените проверки, свържете се със сервиза си за извършване на ремонт.



ПРЕДУПРЕЖДЕНИЕ: Всяко извършване на сервиз и ремонт на продукта изисква специално обучение. Това важи в особена степен за предпазните средства на продукта. Обърнете към Вашия сервиз, ако продуктът не премине успешно изброените по-долу проверки. При покупката на наш продукт ние гарантираме предоставянето на квалифицирани ремонтни услуги и сервиз. Ако мястото, от което сте закупили продукта, не е сервизен дистрибутор, попитайте за адреса на най-близкия сервиз.

Инструкции за безопасност при техническо обслужване

продукт, работещ с акумулатор, извадете акумулатора.



ПРЕДУПРЕЖДЕНИЕ: Прочетете следващите предупредителни указания, преди да извършвате техническо обслужване.

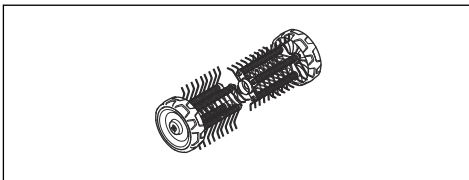


ПРЕДУПРЕЖДЕНИЕ: Винаги спирайте продукта, преди да извършвате техническо обслужване на приставката. Внимавайте, приставката може да продължи да се движи дори и след като газта/регулаторът за газта е отпуснат/а. Уверете се, че приставката е спряла напълно. Ако имате продукт, работещ с бензин, разкачете НТ проводника от запалителната свещ. Ако имате



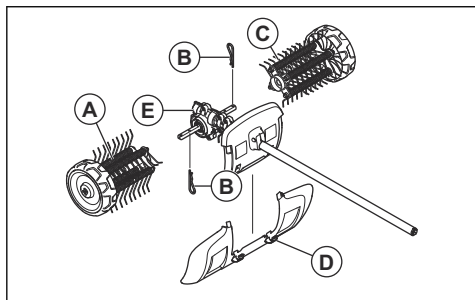
ПРЕДУПРЕЖДЕНИЕ: Винаги използвайте защитни ръкавици.

- Проверявайте целия продукт, преди да започнете. Проверете дали всички предпазни щитове и капаци са с изправна цялост и дали са фиксирани надеждно. Проверете всички гайки и винтове.
- Ако имате продукт, който работи с бензин, проверете дали няма течове на гориво.
- Заменете повредените части.



Монтаж

За сглобяване на приставката

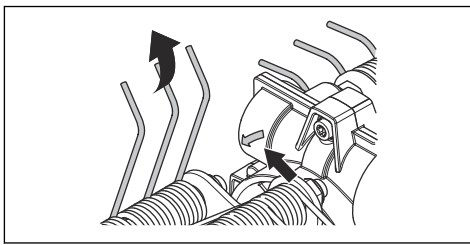


Стрелката на предавателната кутия сочи посоката на въртене. Предавателната кутия се поставя, както е показано.

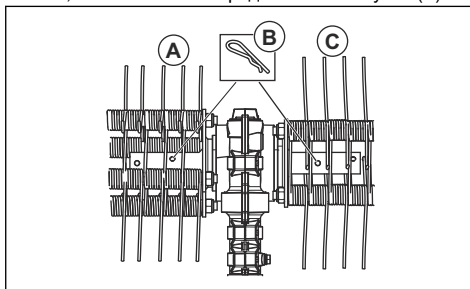
ВАЖНО:

Ролките на приспособлението за премахване на мъх са маркирани със стрелки, които показват посоката на въртене. Уверете се, че ролките на приспособлението за премахване на мъх са монтирани правилно.

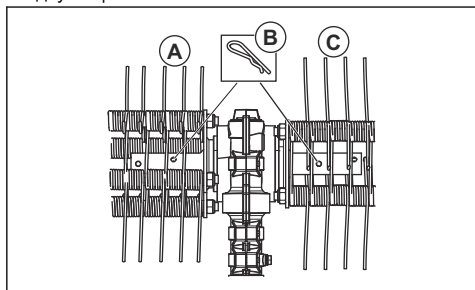
Ролките на приспособлението за премахване на мъх се монтират леко изместени една спрямо друга. Пружините на приспособлението за премахване на мъх трябва да са насочени в посоката на въртене, означена със стрелката на предавателната кутия.



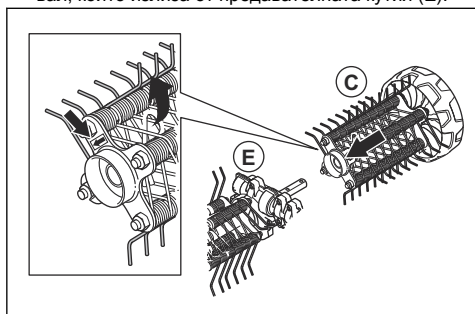
1. Натиснете лявото приспособление за премахване на мъх (A) върху левия задвижващ вал, който излиза от предавателната кутия (E).



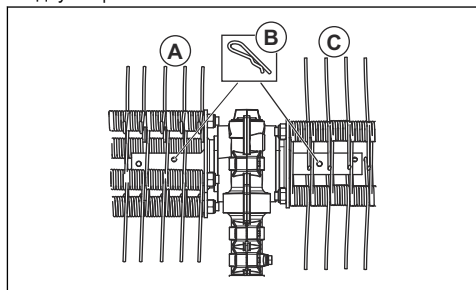
2. Закрепете ролката на вертикутира за премахване на мъх с шплинта (B) във вътрешния отвор на двусекционния вал.



3. Натиснете дясното приспособление за премахване на мъх (C) върху десния задвижващ вал, който излиза от предавателната кутия (E).



4. Закрепете ролката на вертикутира за премахване на мъх с шплинта (B) във вътрешния отвор на двусекционния вал.



5. Закрепете предпазителя с щипките (D).

Забележка: За монтирането на принадлежности на основния продукт направете справка с ръководството за основния продукт.

Операция

За да стартирате продукта при студен двигател

Ако разполагате с продукт, който работи с бензин, спазвайте следните инструкции, за да стартирате продукта при студен двигател

1. Стартирайте основния продукт, оставете го да загрее и го изключете.
2. Монтирайте приспособлението съгласно инструкциите за монтаж.
3. Когато регулирате карбуратора, се уверете, че вертикутирът е опрян на земята и в непосредствена близост няма никого.
4. Оставете приспособлението за премахване на мъх да се върти на празен ход.
5. Уверете се, че дръжката и съоръженията за безопасност са в добро работно състояние. Никога не използвайте продукт, на който липсва част, или е била променена без спазване на спецификациите.

За използване на приставката

1. Работете с приспособлението за премахване на мъх на пълна газ (или почти пълна газ), като колелата са опрени на земята.

Забележка: Уморително и ненужно е да вдигате или да държите приспособлението за премахване на мъх над земята, когато работите.

2. Поддържайте остър работен ъгъл спрямо повърхността. Когато работният ъгъл е много широк, вертикутирът за премахване на мъх ще тръгне към Вас и може да изгубите контрол над продукта.



Поддръжка

Въведение

По-долу са изложени някои общи инструкции за поддръжка. Ако ви е необходима допълнителна информация, се свържете с вашия сервис.

За извършване на техническа поддръжка на приставката



ВНИМАНИЕ: Голяма част от работата с приспособлението за премахване на мъх се извършва на прашни места. Ако разполагате с продукт, който работи на бензин, е изключително важно въздушният филтър да се преглежда редовно, често ежедневно, и да се смазва, за да работи добре.

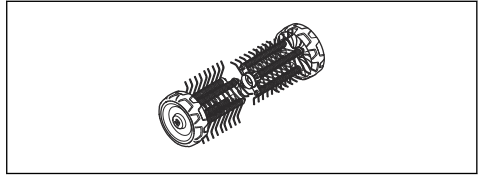
Направете справка с ръководството за оператора на хранящия блок за инструкции за техническо обслужване.

извършвате техническа поддръжка на приставката.



ПРЕДУПРЕЖДЕНИЕ: Корпусът на скоростната кутия се нагорещява, когато продуктът е в употреба. За да избегнете изгаряния не докосвайте корпуса на предавката.

1. Уверете се, че вертикуирът за премахване на мъх не се върти, когато газта/захранващият спусък е отпуснат/а.



2. Почистете колелата, ако не се въртят свободно.



ПРЕДУПРЕЖДЕНИЕ: Винаги носете защитни ръкавици, когато

Транспортиране, съхранение и изхвърляне

Транспортиране и съхранение

Ако транспортирате оборудването върху друго превозно средство, винаги използвайте одобрени осигуряващи устройства и се уверявайте, че оборудването е надеждно закрепено.

Уверете се, че оборудването е почистено и че преди съхранението за продължителни периоди е извършено пълно сервизно обслужване.

Технически данни

Технически данни за продукти, които работят с бензин

Вертикуир за премахване на мъх	DT600
Ширина, mm	556
Тегло	
Тегло, kg	6,5
Шумови емисии ⁷	

⁷ Измерени заедно с одобрени приспособления на Husqvarna. Шумови емисии в околната среда, измерени като звукова мощност (L_{WA}) в съответствие с директива на ЕО 2000/14/ЕО. Отчетените нива на шума за машината са измерени с оригиналното режещо оборудване, което дава най-високото ниво. Разликата между гарантираното и измереното ниво на шума е в това, че гарантираното ниво на шума включва също и дисперсията в резултатите от измерването, както и вариациите между различните машини от един и същи модел в съответствие с Директива 2000/14/ЕО.

Вертикутир за премахване на мъх	DT600
Ниво на звуковата мощност, измерена dB(A)	105
Ниво на звуковата мощност, гарантирана [L _{WA} dB(A)]	109
Нива на звука ⁸	
Еквивалентно ниво на звуковото налягане при ухото на оператора, измерено по EN ISO 22868, dB (A):	95
Вибрации ⁹	
Еквивалентни нива на вибрации (a _{h_v,eq}) в ръкохватките, измерени съгласно EN ISO 22867, m/s ²	
Предна/задна ръкохватка	6,2/4,3

Технически характеристики за продукти, които работят с акумулаторна батерия

325iLK + приставка вертикутир DT600	
Ширина, mm	556
Тегло	
Тегло, kg	2,3+6,5
Шумови емисии ¹⁰	
Ниво на звуковата мощност, измерена dB(A)	89
Нива на звука ¹¹	
Ниво на звуковото налягане при ухото на оператора, измерено съгласно EN ISO 22868, dB (A):	77
Вибрации ¹²	
Нива на вибрациите в ръкохватките, измерени съгласно EN 62841-1, m/s ²	
Предна/задна ръкохватка	1,9/2,6
Оборудван с одобрено приспособление (оригинално), ляво/дясно	1,9/2,6

⁸ Измерени заедно с одобрени приспособления на Husqvarna. Отчетените данни за еквивалентното ниво на звуковото налягане за машината имат типична статистическа дисперсия (стандартно отклонение) от 1 dB (A).

⁹ Измерени заедно с одобрени приспособления на Husqvarna. Отчетените данни за еквивалентното ниво на вибрациите имат типична статистическа дисперсия (стандартно отклонение) от 1 m/s².

¹⁰ Отчетените данни за нивото на звуковата мощност за машината имат типична статистическа дисперсия (стандартно отклонение) от 3 dB (A) и са измерени с оригиналната приставка, която осигурява най-високото ниво.

¹¹ Отчетените данни за нивото на звуково налягане за машината имат типична статистическа дисперсия (стандартно отклонение) от 3 dB (A) и са измерени с оригиналната приставка, която осигурява най-високото ниво.

¹² Отчетените данни за равнището на вибрации имат типична статистическа дисперсия (стандартно отклонение) от 2 m/s². За сравняване на нивата на вибрациите, акумулаторната батерия и продуктите с вътрешно горене използвайте калкулатора за вибрации. <https://www.husqvarna.com/uk/services-solutions/vibration-calculator/>.

Декларация за съответствие

Декларация за съответствие на ЕС

Ние, **Husqvarna AB**, SE-561 82 Huskvarna, Швеция,
тел.: +46-36-146500, декларираме на своя собствена
отговорност, че продуктът:

Описание	Вертикутир за премахване на мъх
Марка	Husqvarna
Тип/модел	DT600
Идентификация	Серийни номера от 2022 и нататък

отговаря напълно на следните директиви и
регламенти на ЕС:

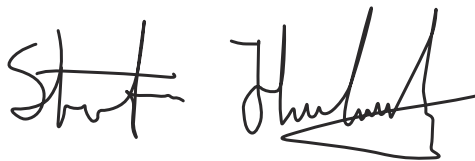
Директива/регламент	Описание
2006/42/EO	"относно машините"
2000/14/EO	"относно шумовите емисии в околната среда"
2011/65/EC	"по отношение на ограничението за използване на определени опасни вещества в електрическо и електронно оборудване"

и че следните стандарти и/или технически
характеристики са приложени: EN ISO 12100:2010,
EN IEC 63000:2018

RISE SMP Svenska Maskinprovning AB, Box 7035,
SE-750 07 Uppsala, Sweden извърши доброволно
изпитване на типа от името на Husqvarna AB.

Номер на сертификат: SEC/15/2411

Huskvarna , 2022-03-14



Стефан Холмберг, директор по развойна дейност,
управление на технологиите, Husqvarna AB

Отговорен за техническата документация



Obsah

Úvod.....	23	Údržba.....	29
Bezpečnost.....	24	Přeprava, skladování a likvidace.....	29
Montáž.....	28	Technické údaje.....	30
Provoz.....	29	Prohlášení o shodě.....	32

Úvod

Popis výrobku

Řídíme se strategií neustálého vývoje výrobku, a proto si vyhrazujeme právo měnit konstrukci a vzhled výrobků bez předchozího upozornění.

Povšimněte si: Tento návod pokrývá pohonné jednotky poháněné benzínem i baterií.

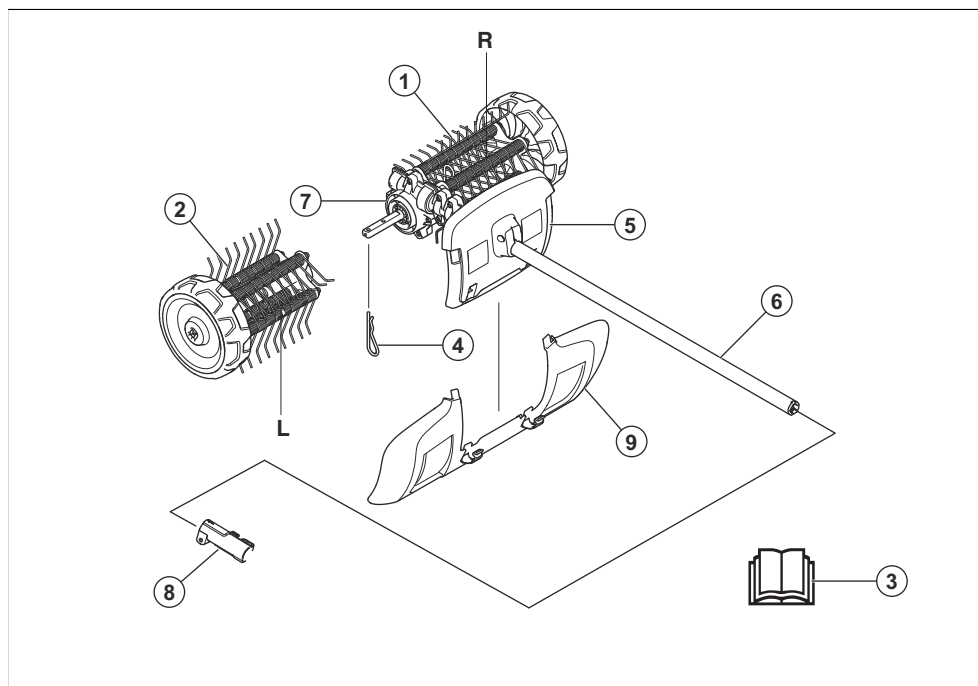
Zamýšlené použití



VÝSTRAHA: Tento nástavec lze používat pouze společně se zamýšleným výrobkem, viz kapitola Příslušenství v návodu k používání výrobku.

Nástavec je navržen pouze pro odmechování trávníků.

Přehled nástavce



1. Pravý odmechovač
2. Levý odmechovač
3. Návod k použití
4. Závlačka
5. Kryt (ochrana na hřídeli)
6. Hřídel
7. Skříň převodovky
8. Objímka hřídele (součásti výrobku)
9. Ochranný kryt

Symbole na nástavci a pohonné jednotce



Nepozorné nebo nesprávné používání nástavce může vést k vážnému nebo smrtelnému zranění uživatele nebo dalších osob.



Pozorně si přečtěte tento návod k používání a předtím, než nástavec začnete používat, se přesvědčte o tom, že pokynům rozumíte.



Vždy používejte schválenou ochranu sluchu. Vždy používejte schválenou ochranu očí. Pokud hrozí nebezpečí vdechování prachu, používejte dýchací masku.



Tento nástavec vyhovuje platným směrnícím ES.



Tento výrobek vyhovuje platným předpisům Spojeného království.



Rotující části. Udržujte ruce a nohy mimo dosah. Šipka označuje směr otáčení.



Vždy používejte schválené ochranné rukavice.



Používejte pevnou neklouzavou obuv.



Dávejte pozor na odražené předměty.



Obsluha musí zajistit, aby se v okruhu 15 m nevyskytovaly žádné osoby ani zvířata. Pokud na stejné ploše pracuje několik pracovníků, musí být dodržována bezpečná vzdálenost rozestupů minimálně 15 metrů. Nástavec může velkou silou odmrštit předměty, které se mohou odrazit zpět. Pokud nepoužíváte doporučené ochranné prostředky, může dojít k vážnému poranění očí.



Během používání výrobku udržujte minimální vzdálenost 15 metrů od osob a zvířat.



Všechny části těla udržujte mimo dosah horkých povrchů.



Štítek s emisemi hluku do okolí podle směrnice a předpisů Evropské unie a Spojeného království a nařízení o regulaci hluku v australském Novém Jižním Walesu „Protection of the Environment Operations (Noise Control) Regulation 2017“. Garantovaná hladina akustického výkonu tohoto výrobku je uvedena v části *Technické údaje na strani 30* a na štítku.

Povšimněte si: Další symboly/štítky na nástavci se týkají zvláštních certifikačních požadavků pro určité obchodní trhy.

Bezpečnost

Definice týkající se bezpečnosti

Varování, upozornění a poznámky slouží jako upozornění na specifické důležité části návodu k používání.



VÝSTRAHA: Používá se v případě nebezpečí úrazu nebo usmrcení obsluhy nebo okolních osob, pokud nejsou dodrženy pokyny uvedené v této příručce.



VAROVÁNÍ: Používá se v případě nebezpečí poškození výrobku nebo nástavce, dalších materiálů či škod na majetku v blízkém okolí, pokud nejsou dodrženy pokyny uvedené v této příručce.

Povšimněte si: Používá se k poskytnutí dalších informací, které jsou nezbytné v dané situaci.

Obecné bezpečnostní pokyny



VÝSTRAHA: Před použitím nástavce si přečtěte následující bezpečnostní pokyny.

- Přečtěte si pozorně tento návod k používání a nepoužívejte nástavec, pokud mu zcela nerozumíte.
- Tyto pokyny jsou dodatkem k pokynům dodaným společně s výrobkem. U ostatních postupů se řiďte návodem k použití výrobku.
- Konstrukce nástavce nesmí být za žádných okolností upravována bez svolení výrobce. Nepoužívejte nástavec, pokud se vám zdá, že jej někdo upravil, a vždy používejte originální příslušenství. Nepovolené úpravy a/ nebo příslušenství může vést k vážnému nebo smrtelnému zranění obsluhy nebo jiných osob.

Přečtěte si všechny pokyny



VÝSTRAHA: Abyste snížili riziko úrazu elektrickým proudem, nebezpečí požáru nebo zranění osob, je při používání elektrického zahradního nářadí třeba vždy dodržovat základní bezpečnostní opatření včetně následujících:

Bezpečnostní pokyny k odmechovači

- Výrobek nikdy nedovolte používat dětem, osobám s omezenými fyzickými, smyslovými nebo mentálními schopnostmi nebo s nedostatkem zkušeností a znalostí nebo osobám, které nejsou seznámeny s pokyny k používání výrobku. Věk obsluhy může být omezen místními předpisy.
- Nikdy neprovozujte výrobek, pokud jsou v blízkosti další osoby, zejména děti nebo domácí zvířata.
- Nenatahujte se příliš daleko a vždy udržujte rovnováhu. Abyste na svahu vždy stáli pevně, volte chůzi, nikdy neběhejte.
- Nedotýkejte se pohyblivých nebezpečných součástí, dokud nebude stroj odpojen od sítě a tyto součásti se zcela nezastaví.
- Při práci se strojem vždy noste pevnou obuv a dlouhé kalhoty.
- Z výrobku vždy vyjměte baterii, když je výrobek bez dozoru, před odstraňováním ucpaní a před čištěním výrobku nebo prací na něm.
- Z výrobku vyjměte baterii před kontrolou kvůli poškození, pokud například dojde k nárazu do cizího předmětu nebo když výrobek začne neobvykle vibrovat.
- Nepřipojujte ke zdroji napájení poškozený kabel a nedotýkejte se poškozeného kabelu, dokud jej neodpojíte od zdroje napájení. Poškozený kabel může vést ke kontaktu s částmi pod napětím, což může mít za následek zranění nebo smrt.

- Výrobek nikdy nepoužívejte s vadnými kryty, bez bezpečnostních zařízení nebo s poškozeným či opotřebeným kabelem.
- Udržujte prodlužovací kabely mimo dosah pohyblivých nebezpečných částí, aby nedošlo k poškození kabelů, které by mohlo vést ke kontaktu s částmi pod napětím.
- Výrobek připojujte pouze ke zdroji napájení chráněnému proudovým chráničem s vypínacím proudem nepřesahujícím 30 mA.
- Výrobek nepoužívejte při špatném počasí, zvlášť pokud existuje riziko blesku.

Bezpečnostní pokyny pro provoz

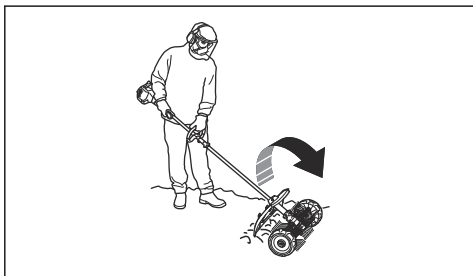


VÝSTRAHA: Před použitím výrobku si přečtěte následující varování.

- Vypínač se automaticky vrátí do výchozí polohy. Při montáži, kontrole nebo údržbě zabraňte neúmyslnému spuštění. Používáte-li výrobek poháněný benzinem, odpojte koncovku kabelu zapalovací svíčky od zapalovací svíčky. Pokud máte výrobek poháněný baterií, vyjměte baterii.
- Dejte pozor na odmrštěné předměty. Vždy používejte ochranu zraku. Nikdy se nenaklánějte nad odmechovač. Odlétávající kamení, smetí apod. může zasáhnout zrak a způsobit slepotu nebo jiná vážná poranění.
- Převodovka se může během použití zahřát a může zůstat horká i po vypnutí stroje. Při doteku je nebezpečí úrazu popálením.
- Přestože nemají válec kartáče stejnou sílu jako například žací nože sekačky, měli byste se vyhnout práci s materiály, které mohou v případě odmrštění způsobit zranění osob nebo škody na majetku.
- Nikdy nepracujte se strojem, nemáte-li možnost přivolat pomoc v případě nehody.
- Stroj používejte pouze k tomu účelu, ke kterému je určen.
- Nikdy nepoužívejte stroj, jste-li unaveni, jestliže jste požíli alkohol nebo jestliže užíváte léky, které by mohly ovlivnit váš zrak, úsudek nebo pohybovou koordinaci.
- Nepoužívejte nikdy stroj za zvlášť nepříznivých podnebních podmínek, jako např. za velkého mrazu nebo v horkém a/ nebo vlhkém podnebí.
- Nikdy nepoužívejte stroj, který není zcela v pořádku. Dodržujte pokyny pro kontroly, údržbu a servis popsané v této příručce. Některé úkony údržby a opravy mohou provádět pouze vyškolení a kvalifikovaní odborníci. Viz pokyny v části Údržba.
- Nedovolte dětem používat stroj.
- Nedovolte pracovat se strojem nikomu, kdo si předem nepřečetl a neporozuměl obsahu návodu k použití.
- Držte nepovolané osoby mimo pracovní plochu. Děti, zvířata, přihlížející a pomáhající osoby se během

práce nesmí pohybovat v okruhu 15 m bezpečnostní zóny. Jestliže se někdo přiblíží, okamžitě stroj vypněte.

- Dostanete-li se do situace, kdy pocítíte jakoukoliv pochybnost co do práce s vybavením, požádejte o radu odborníka. Spojte se s vaším prodejcem nebo servisem.
- Nepoužívejte vybavení, necítíte-li se dostatečně kvalifikováni.
- Sledujte své okolí a přesvědčte se, že nehrozí žádné nebezpečí, že by mohly nějaké osoby nebo zvířata přijít do styku s výrobkem nebo ovlivnit vaši kontrolu nad výrobkem.
- Používáte-li ochranu sluchu, vždy je nutné dávat pozor na výstražné signály nebo volání. Ochranu sluchu sejměte vždy ihned po zastavení motoru.
- Nepoužívejte stroj za špatného počasí, jako např. v husté mlze, prudkém dešti, silném větru, silném mrazu apod. Práce za špatného počasí je namáhavá a často s sebou přináší rizika, jakým je např. náledí.
- Ujistěte se, že se můžete volně pohybovat a bezpečně stát. Zkontrolujte, zda ve vašem bezprostředním okolí nejsou nějaké překážky (kořeny, kameny, větve, jámy, příkopy apod.), pro případ, že by bylo nutné se rychle přesunout. Zvláštní pozornost věnujte práci ve svažitém terénu.



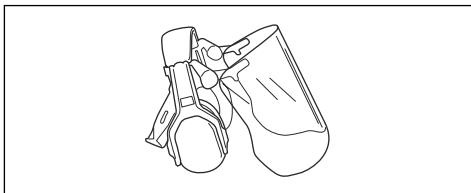
- Před přemístěním musí být motor vypnutý.
- Nikdy neodkládejte stroj, který je v chodu, pokud jej nemáte plně pod dohledem.
- K přidržování stroje vždy používejte obě ruce. Stroj držte po straně svého těla.
- Vaše ruce ani nohy se nesmí přiblížit k odmechovači, když je v chodu.
- Po vypnutí motoru se nepřibližujte rukama ani nohama k odmechovači, dokud se zcela nezastaví.
- Pokud se objeví silné vibrace, stroj zastavte. Pokud máte výrobek poháněný benzinem, odpojte vysokonapěťový kabel od zapalovací svíčky. Pokud máte výrobek poháněný baterií, vyjměte z výrobku baterii. Zkontrolujte, zda není stroj poškozený. Opravte veškerá poškození.

Osobní ochranné prostředky

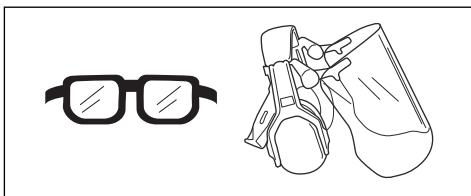


VÝSTRAHA: Před použitím výrobku si přečtěte následující varování.

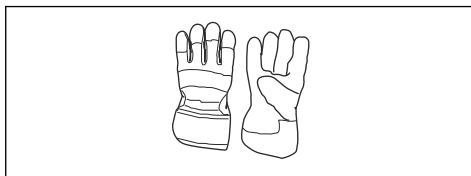
- Při použití výrobku je nutné vždy používat schválené osobní ochranné prostředky. Osobní ochranné prostředky nemohou zcela eliminovat nebezpečí úrazu, ale v případě nehody pomáhají snížit míru poranění. Požádejte prodejce, aby vám pomohl vybrat správné vybavení.
- Použijte schválenou ochranu sluchu s dostatečným tlumícím účinkem. Dlouhodobé vystavování působení hluku může vést k trvalému poškození sluchu.



- Vždy používejte schválenou ochranu očí. Použijete-li štít, je nutno použít i schválené ochranné brýle. Schválené ochranné brýle musí být v souladu s normou ANSI Z87.1 v USA nebo EN 166 v zemích EU.



- Při určitých činnostech používejte rukavice, například při nasazování, prohlídce nebo čištění řezacího zařízení.



- Používejte ochrannou obuv s ocelovou špičkou a protiskluzovými podrážkami.



- Noste oblečení vyrobené z pevné tkaniny. Vždy používejte silné, dlouhé kalhoty a dlouhé rukávy. Nepoužívejte volné oblečení, které se může zachytit o keře nebo větve. Nepoužívejte šperky, krátké

kalhoty nebo sandály a nepracujte bosí. Stáhněte si vlasy bezpečně nahoru nad úroveň ramen.

- Mějte při ruce lékárníčku.



Bezpečnostní zařízení na nástavci



VÝSTRAHA: Před použitím nástavce si přečtěte následující varování.

V této části jsou popsány bezpečnostní funkce nástavce, jeho účel a způsob provádění kontroly a údržby k zajištění správného provozu. Umístění těchto součástí na nástavci naleznete v pokynech v části *Přehled nástavce na straně 23*.

Životnost nástavce se může zkracovat a nebezpečí nehod zvyšovat, jestliže se údržba nástavce neprovádí správně nebo se opravy neprovádějí odborně. Pokud potřebujete další informace, obraťte se na nejbližšího servisního prodejce.



VÝSTRAHA: Nástavec nikdy nepoužívejte s vadnými bezpečnostními součástmi. Kontrolu a údržbu bezpečnostního vybavení nástavce je nutno provádět podle postupů uvedených v této části. V případě, že by nástavec nevyhověl při jakékoli z těchto kontrol, je nutno vyhledat autorizované servisní středisko a nechat závadu odstranit.



VÝSTRAHA: Veškerý servis a opravy produktu vyžadují speciální odborné školení. To se týká především servisu a oprav bezpečnostního vybavení produktu. V případě, že by produkt nevyhověl při některé z níže popsaných kontrol, je

nutno vyhledat servisní opravnu. Každému zákazníkovi, který zakoupí kterýkoli z našich výrobků, zaručujeme dostupnost profesionálních oprav a servisních prací. Pokud prodejce, který vám produkt prodal, neposkytuje servis, požádejte jej o adresu naší nejbližší servisní opravny.

Bezpečnostní pokyny pro údržbu



VÝSTRAHA: Před prováděním údržby si přečtěte následující varování.

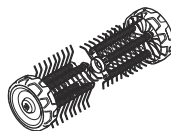


VÝSTRAHA: Před zahájením údržby nástavce výrobek vždy vypněte. Buďte opatrní, nástavec se může pohybovat i po uvolnění plynu/páčky spínače. Ujistěte se, že se nástavec zcela zastavil. Pokud máte výrobek poháněný benzinem, odpojte vysokonapěťový kabel od zapalovací svíčky. Pokud máte výrobek poháněný baterií, vyjměte baterii.



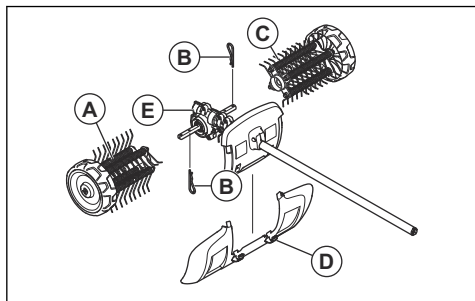
VÝSTRAHA: Vždy používejte ochranné rukavice.

- Než zahájíte práci, zkontrolujte celý výrobek. Zkontrolujte, že jsou všechny kryty na místě a řádně připevněny. Zkontrolujte všechny matice a šrouby.
- Pokud máte výrobek poháněný benzinem, zkontrolujte, že nedochází k úniku paliva.
- Poškozené díly vyměňte.



Montáž

Montáž nástavce

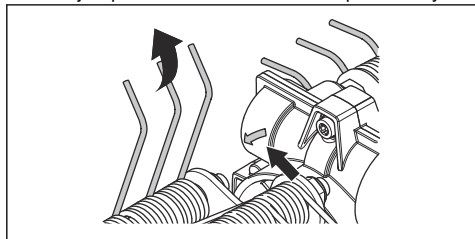


Šipka na skříni převodovky označuje směr otáčení. Skříň převodovky je nutné umístit podle vyobrazení.

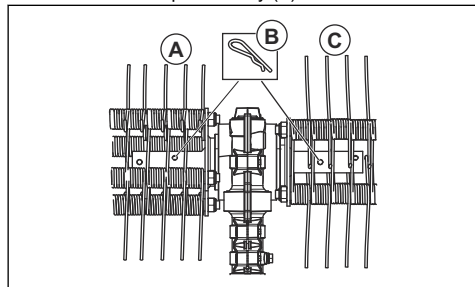
UPOZORNĚNÍ:

Na válcích odmechovače se nacházejí šipky označující směr otáčení. Zkontrolujte, zda jsou válce odmechovače správně nasazeny.

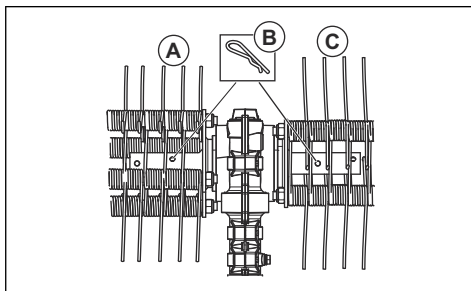
Válec odmechovače je nutné vzájemně mírně posunout. Pružiny odmechovače musí mít stejným směrem, jak naznačuje šipka směru otáčení na skříni převodovky.



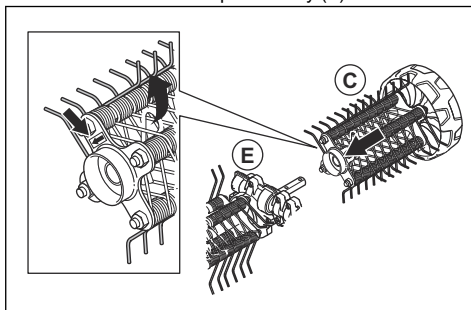
1. Zatlačte levý válec odmechovače (A) na levou hnací hřídel od skříně převodovky (E).



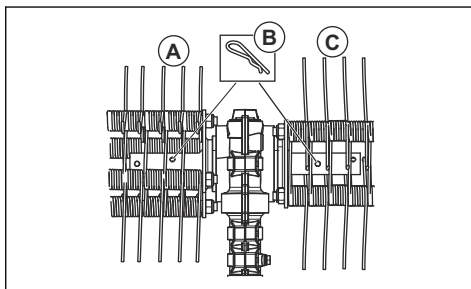
2. Upevněte válec odmechovače vložení závlačky (B) do vnitřního otvoru v hřídeli.



3. Zatlačte pravý válec odmechovače (C) na pravou hnací hřídel od skříně převodovky (E).



4. Upevněte válec odmechovače vložení závlačky (B) do vnitřního otvoru v hřídeli.



5. Namontujte lapač nečistot pomocí zacvakávacích úchytů (D).

Povšimněte si: Pokyny pro montáž příslušenství na základní výrobek naleznete v návodu pro základní výrobek.

Provoz

Spouštění výrobku se studeným motorem

Pokud máte výrobek poháněný benzínem, držte se při startování výrobku se studeným motorem následujících pokynů.

1. Nechte základní výrobek zahřát a vypněte jej.
2. Namontujte nástavec podle montážních pokynů.
3. Při nastavování karburátoru je nutné přitlačit odmechovač k zemi. V těsné blízkosti se nesmí vyskytovat žádné další osoby.
4. Udržujte odmechovač v chodu na volnoběžné otáčky.
5. Zkontrolujte, zda je držadlo a bezpečnostní díly stroje v dobrém provozním stavu. Nikdy nepoužívejte výrobek, kterému chybí díly nebo byl upraven a neodpovídá původním specifikacím.

Použití nástavce

1. Nechte stroj běžet na plný plyn (nebo téměř plný plyn) s odmechovačem položeným na zemi.

Povšimněte si: Je zbytečné a navíc unavující zdvihat nebo držet při práci odmechovač nad zemí.

2. Udržujte ostrý pracovní úhel k povrchu. Příliš velký pracovní úhel může způsobit, že odmechovač bude mít tendenci pohybovat se směrem k vám a můžete ztratit kontrolu nad výrobkem.



Údržba

Úvod

V následujících odstavcích najdete některé pokyny k provádění obecné údržby. Pokud potřebujete další informace, spojte se se servisem.

Údržba nástavce



VAROVÁNÍ: Práce s odmechovačem se často provádí v prašných podmínkách. Pokud proto používáte výrobek poháněný benzínem, je mimořádně důležité provádět pravidelně údržbu vzduchového filtru, často i denně, a napustit jej olejem.

Pokyny k údržbě naleznete v návodu k používání pohonné jednotky.

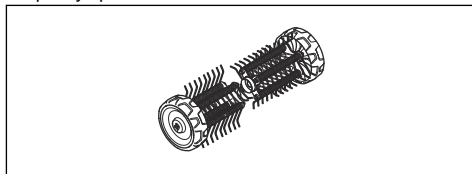


VÝSTRAHA: Při provádění údržby nástavce vždy používejte ochranné rukavice.



VÝSTRAHA: Skříň převodovky se za provozu výrobku zahřívá. Skříň převodovky se nedotýkejte, abyste se nepopálili.

1. Zkontrolujte, zda se odmechovač po uvolnění plynu/páčky spínače neotáčí.



2. Vyčistěte kola, pokud se neotáčejí volně.

Přeprava, skladování a likvidace

Přeprava a přechovávání

Pokud přepravujete nástavec na jiném vozidle, vždy používejte schválené upevňovací prostředky a ujistěte se, že je nástavec řádně zajištěn.

Před odstavením na delší dobu se ujistěte, že je nástavec čistý a je zajištěn kompletním servisem.

Technické údaje

Technické údaje pro výrobky poháněné benzínem

Odmechovač	DT600
Šířka, mm	556
Hmotnost	
Hmotnost, kg	6,5
Emise hluku ¹³	
Hladina akustického výkonu, změřená dB (A)	105
Hladina akustického výkonu, zaručená L _{WA} dB (A)	109
Hladiny hluku ¹⁴	
Ekvivalentní hladina akustického tlaku v úrovni uší obsluhy, změřená podle normy EN ISO 22868, dB(A):	95
Víbrace ¹⁵	
Ekvivalentní hladiny vibrací (a _{h_v,eq}) v rukojetích, měřené podle norem EN ISO 22867, m/s ²	
Přední/zadní rukojeť	6,2/4,3

Technické údaje pro výrobky poháněné baterií

325iLK + nástavec s odmechovačem DT600	
Šířka, mm	556
Hmotnost	
Hmotnost, kg	2,3 + 6,5
Emise hluku ¹⁶	
Hladina akustického výkonu, změřená dB (A)	89
Hladiny hluku ¹⁷	

¹³ Měřeno společně se schváleným příslušenstvím Husqvarna. Emise hluku v životním prostředí měřené jako akustický výkon (L_{WA}) v souladu se směrnicí 2000/14/ES. Uváděná hladina akustického výkonu pro stroj byla měřena s originálním řezacím nástavcem, který generuje nejvyšší hladinu. Rozdíl mezi garantovaným a měřeným akustickým výkonem je v tom, že garantovaný akustický výkon rovněž zahrnuje rozptýl výsledků měření a rozdíly mezi různými stroji téhož modelu podle Směrnice 2000/14/ES.

¹⁴ Měřeno společně se schváleným příslušenstvím Husqvarna. Uváděná data pro ekvivalentní hladinu akustického tlaku pro stroj mají typickou statistickou odchylku (standardní odchylku) 1 dB (A).

¹⁵ Měřeno společně se schváleným příslušenstvím Husqvarna. Uváděná data pro ekvivalentní hladinu vibrací mají typickou statistickou odchylku (standardní odchylku) 1 m/s².

¹⁶ Uváděná data pro hladinu akustického tlaku pro stroj mají typickou statistickou odchylku (standardní odchylku) 3 dB (A), která byla měřena s originálním řezacím nástavcem generujícím nejvyšší hladinu.

¹⁷ Uváděná data pro hladinu akustického tlaku pro stroj mají typickou statistickou odchylku (standardní odchylku) 3 dB (A), která byla měřena s originálním řezacím nástavcem generujícím nejvyšší hladinu.

325ILK + nástavec s odmechovačem DT600	
Hladina akustického tlaku v úrovni uší obsluhy, změřená podle normy EN ISO 22868, dB(A):	77
Vibrace ¹⁸	
Hladiny vibrací v rukojetích, měřené podle normy EN 62841-1, m/s ²	
Přední/zadní rukojeť	1,9/2,6
Vybaven schváleným příslušenstvím (originální), levé/pravé	1,9/2,6

¹⁸ Uváděná data o úrovni vibrací mají typickou statistickou odchylku (standardní odchylku) 2 m/s². Pro srovnání hladiny vibrací akumulátorových výrobků a výrobků se spalovacím motorem použijte kalkulačku vibrací: <https://www.husqvarna.com/cz/sluzby-reseni/kalkulacka-vibraci/>.

Prohlášení o shodě

Prohlášení o shodě EU

Společnost **Husqvarna AB**, SE-561 82 Huskvarna,
Švédsko, tel.: +46-36-146500, na svou výhradní
odpovědnost prohlašuje, že výrobek:

Popis	Odmechovač
Značka	Husqvarna
Typ/Model	DT600
Identifikace	Výrobní čísla od roku 2022 a dále

je zcela ve shodě s následujícími směrnici a předpisy
EU:

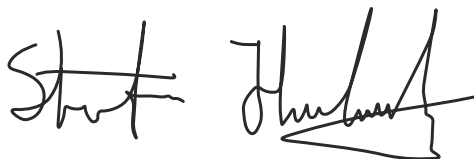
Směrnice/nařízení	Popis
2006/42/ES	„o strojních zařízeních“
2000/14/ES	„týkající se emisí hluku do okolního prostředí“
2011/65/EU	„o omezení používání některých nebezpečných látek v elektrických a elektronických zaříze- ních“

a že byly použity následující normy nebo technické
specifikace: EN ISO 12100:2010, EN IEC 63000:2018

Institut RISE SMP Svenska Maskinprovning AB, Box
7035, SE-750 07 Uppsala, Sweden provedl jménem
společnosti Husqvarna AB dobrovolnou typovou
zkoušku.

Číslo certifikátu: SEC/15/2411

Huskvarna , 2022-03-14



Stefan Holmberg, ředitel výzkumu a vývoje,
management technologií, Husqvarna AB

Osoba odpovědná za technickou dokumentaci



Indhold

Indledning.....	33	Vedligeholdelse.....	39
Sikkerhed.....	34	Transport, opbevaring og bortskaffelse.....	40
Montering.....	38	Tekniske data.....	40
Drift.....	39	Overensstemmelseserklæring.....	42

Indledning

Produktbeskrivelse

Vi forsøger hele tiden at videreudvikle vores produkter og forbeholder os derfor ret til ændringer af bl.a. form og udseende af produkterne uden forudgående varsel.

Bemærk: Brugsanvisningen omhandler både benzin- og batteridrevne strømenheder.

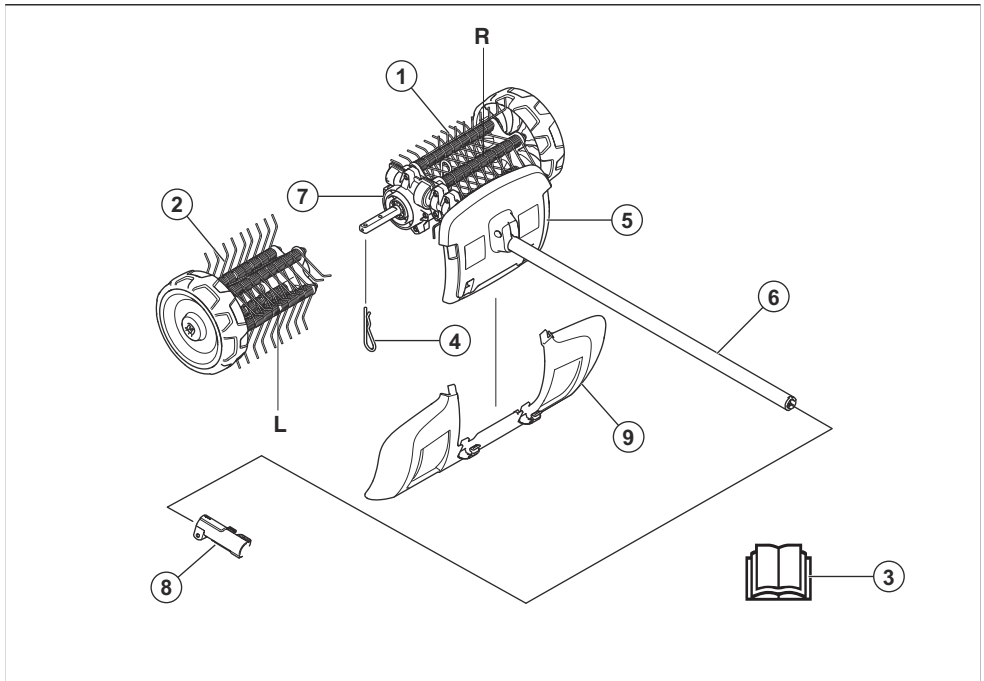
Anvendelsesformål



ADVARSEL: Dette tilbehør må kun bruges sammen med det produkt, det er beregnet til, se kapitlet Skæredstyr i brugsanvisningen til produktet.

Tilbehøret er kun beregnet til at løse mos fra græsplæner.

Oversigt over tilbehør



1. Mosvertikalskærer, højre
2. Mosvertikalskærer, venstre
3. Brugsanvisning
4. Split
5. Afskærmning (beskyttelse på akslen)
6. Aksel
7. Gearhus
8. Akselkobling (følger med produktet)
9. Stænkbeskyttelse

Symboler på tilbehøret og strømenheden



Skødesløs eller forkert brug af dette produkt kan resultere i alvorlige skader eller medføre døden for brugeren eller andre.



Læs brugervejledningen, og sørg for at have forstået indholdet, inden du bruger udstyret.



Brug godkendt høreværn. Brug godkendte beskyttelsesbriller. Brug åndedrætsværn, når der er risiko for støv.



Dette udstyr er i overensstemmelse med gældende CE-direktiver.



Dette produkt er i overensstemmelse med gældende UK-bestemmelser.



Roterende dele. Hold hænder og fødder på sikker afstand. Pilen angiver rotationsretningen.



Brug altid godkendte beskyttelseshandsker.



Brug skridsikre og stabile støvler.



Pas på udslængede genstande og rikolettering.



Operatøren skal sikre, at ingen mennesker eller dyr kommer nærmere end 15 meter. Når flere operatører arbejder på samme sted, skal der være en sikkerhedsafstand på mindst 15 meter. Udstyret kan kaste genstande af sted med voldsom kraft, og disse genstande kan slå tilbage. Dette kan medføre alvorlige øjenskader, hvis du ikke anvender det anbefalede beskyttelsesudstyr.



Hold en afstand på mindst 15 m til personer og dyr under brug af produktet.



Hold alle dele af kroppen på sikker afstand af varme overflader.



Mærkat vedrørende emission af støj til omgivelserne i henhold til direktiver og regulativer i EU og Storbritannien og New South Wales' lovgivning om "Beskyttelse af miljøet (støjbegrænsning) forordning 2017". Produktets garanterede lydeffektniveau er angivet i *Tekniske data på side 40* og på mærkaten.

Bemærk: Andre symboler/etiketter på skæreudstyret refererer til specifikke krav for certificering på visse markeder.

Sikkerhed

Sikkerhedsdefinitioner

Advarsler, forholdsregler og bemærkninger bruges til at pege på særligt vigtige dele af brugsanvisningen.



ADVARSEL: Bruges, hvis føreren udsætter sig selv eller omkringstående personer for risiko for personskade eller dødsfald ved tilsidesættelse af instruktionerne i brugsanvisningen.



BEMÆRK: Bruges, hvis der er risiko for skader på produktet og/eller tilbehøret, andre materialer eller det omgivende område ved tilsidesættelse af instruktionerne i brugsanvisningen.

Bemærk: Bruges til at give yderligere oplysninger, der er nødvendige i en given situation.

Generelle sikkerhedsinstruktioner



ADVARSEL: Læs de medfølgende advarselsinstruktioner, inden du bruger skæreudstyret.

- Læs brugsanvisningen omhyggeligt igennem, og sørg for at have forstået indholdet, inden du bruger produktet.
- Denne vejledning supplerer den vejledning, der var inkluderet med produktet. Oplysninger om andre procedurer fås i betjeningsvejledningen til din plæneklipper.
- Produktets oprindelige udformning må under ingen omstændigheder ændres uden producentens samtykke. Brug ikke et produkt, der ser ud til at være blevet ændret af andre, og brug altid originalt tilbehør. Ikke-autoriserede ændringer og/eller ikke-godkendt tilbehør kan medføre alvorlige skader eller døden for brugeren eller andre.

Læs alle instruktioner



ADVARSEL: Ved brug af elektriske haveredskaber skal de grundlæggende sikkerhedsforanstaltninger følges for at nedsætte risikoen for brand, elektrisk stød og personskader, herunder følgende:

Sikkerhedsinstruktioner for vertikalskærer

- Lad aldrig børn, personer med nedsatte fysiske, sensoriske eller mentale evner eller manglende erfaring og viden, eller personer, der ikke er bekendt med disse instruktioner, bruge produktet. Der kan være lokale regler for, hvor gammel brugeren skal være.
- Betjen aldrig produktet, mens personer, især børn, eller kæledyr befinder sig i nærheden.
- Ræk ikke for langt, og hold hele tiden balancen. Sørg for altid at stå fast på skråninger, og husk, at du skal gå, aldrig løbe.
- Rør ikke ved bevægelige og farlige dele, før maskinen er taget ud af stikkontakten, og de bevægelige og farlige dele er standset helt.
- Bær altid passende fodtøj og lange bukser, mens du betjener maskinen.
- Fjern batteriet fra produktet, når produktet ikke er under opsyn, før du fjerner en blokering og før rengøring eller reparation af produktet.
- Fjern batteriet fra produktet, før produktet undersøges for skader, f.eks. i forbindelse med at et fremmedlegeme rammes, eller hvis produktet begynder at vibrere unormalt.
- Tilslut ikke en beskadiget ledning til strømforsyningen, og rør ikke en beskadiget ledning, før den kobles fra strømforsyningen. En beskadiget

ledning kan medføre kontakt med strømførende dele og medføre personskade eller dødsfald.

- Betjen aldrig produktet med defekte afskærmninger/skjolde, uden sikkerhedsudstyr, eller hvis ledningen er beskadiget eller slidt.
- Hold forlængerledninger væk fra bevægelige og farlige dele for at undgå skader på ledninger, der kan føre til kontakt med strømførende dele.
- Tilslut kun produktet til en strømforsyning, der er beskyttet af en fejlstrømsafbryder (RCD) med en udløsningsstrøm på højst 30 mA.
- Brug ikke redskabet i dårligt vejr, især ikke, hvis der er risiko for lynnedslag.

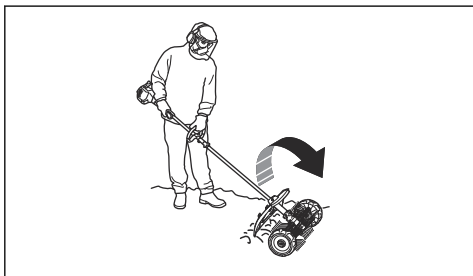
Sikkerhedsinstruktioner for drift



ADVARSEL: Læs følgende advarselsinstruktioner, inden du bruger produktet.

- Stopkontakten skifter automatisk til startposition. Sørg for at forhindre utilsigtet start ved samling, kontrol og/eller vedligeholdelse. Hvis du har et benzindrevet produkt, skal du tage tændhætten af tændrøret. Hvis du har et batteridrevet produkt, skal du fjerne batteriet.
- Pas på udslyngede genstande. Brug altid beskyttelsesbriller. Du må aldrig læne dig ind over mosvertikalskæreren. Sten, skidt m.m. kan blive slynget op i øjnene og forårsage blindhed eller alvorlige skader.
- Under og et stykke tid efter anvendelse kan gearet være varmt. Der er derfor risiko for forbrændinger ved kontakt.
- Selv om børstetromlerne ikke har samme kraft som f.eks. plæneklipperknive, skal du undgå at arbejde med materialer, der kan medføre personskade eller skade på ejendom, hvis de slynges ud.
- Brug aldrig maskinen uden mulighed for at kunne tilkalde hjælp i tilfælde af en ulykke.
- Brug kun maskinen til det formål, den er beregnet til.
- Brug aldrig maskinen, hvis du er træt, hvis du har drukket alkohol, eller hvis du tager medicin, som påvirke dit syn, dit overblik eller din kropskontrol.
- Anvend aldrig maskinen ved ekstreme klimaforhold såsom streng kulde eller meget varmt og/eller fugtigt klima.
- Brug aldrig en maskine, som er behæftet med fejl. Følg instruktionerne for sikkerhedskontrol, vedligeholdelse og service i denne brugsanvisning. Visse vedligeholdelses- og serviceforanstaltninger må kun udføres af erfarne og kvalificerede specialister. Se anvisningerne under overskriften Vedligeholdelse.
- Tillad aldrig børn at bruge maskinen.
- Lad aldrig en anden bruge maskinen, uden at du har sikret dig, at vedkommende har forstået indholdet i brugervejledningen.

- Hold uvedkommende på afstand. Børn, dyr, omkringstående og hjælpere skal under arbejdet holdes uden for sikkerhedszonen på 15 meter. Stands øjeblikkeligt maskinen, hvis nogen nærmer sig.
- Når du kommer ud for en situation, som gør dig usikker med hensyn til fortsat brug, skal du spørge en ekspert til råds. Henvend dig til din forhandler eller dit serviceværksted.
- Undgå al brug, som du ikke synes, du er tilstrækkeligt kvalificeret for.
- Hold øje med omgivelserne, og kontrollér, at der ikke er nogen risiko for, at mennesker eller dyr kan komme i kontakt med eller påvirke din kontrol af produktet.
- Vær altid opmærksom på advarselssignaler eller tilråb, når høreværnet bruges. Tag altid høreværnet af, så snart motoren standser.
- Undgå at anvende produktet i dårligt vejr, f.eks. i tæt tåge, kraftig regn, hård vind, kraftig kulde osv. Arbejde i dårligt vejr er trættende og kan ofte skabe farlige situationer, f.eks. på isglat underlag.
- Sørg for, at du kan gå og stå sikkert. Kig efter eventuelle forhindringer ved en uventet retrætte (rødder, sten, grene, huller, grøfter osv.). Vær meget forsigtig ved arbejde i skrånende terræn.



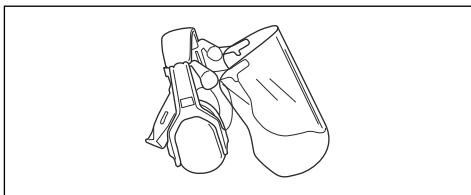
- Motoren skal altid standses, før produktet flyttes.
- Stil aldrig maskinen ned på jorden med motoren i drift, uden at du har den under opsyn.
- Brug altid begge hænder til at holde maskinen. Hold maskinen på siden af kroppen.
- Sørg for, at hænder og fødder ikke kommer i nærheden af mosvertikalskæreren, når den er i drift.
- Når motoren slukkes, skal du holde hænder og fødder væk fra mosvertikalskæreren, indtil den er standset helt.
- Hvis kraftige vibrationer forekommer, skal du standse maskinen. Hvis du har et benzindrevet produkt, skal du fjerne tændrørskablet fra tændrøret. Hvis du har et batteridrevet produkt, skal du tage batteriet ud af produktet. Sørg for, at maskinen ikke er beskadiget. Reparer eventuelle skader.

Personligt beskyttelsesudstyr

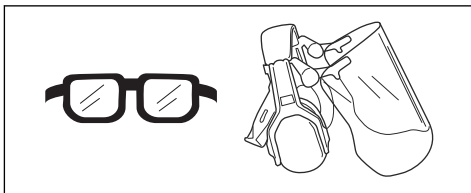


ADVARSEL: Læs følgende advarselsinstruktioner, inden du bruger produktet.

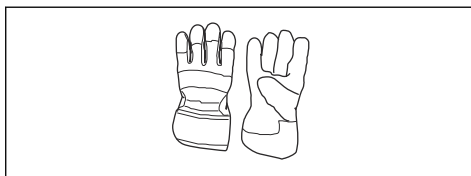
- Brug godkendt personligt beskyttelsesudstyr, når du bruger produktet. Personligt beskyttelsesudstyr udelukker ikke fuldstændigt risikoen for personskader, men det mindsker graden af skaderne i tilfælde af, at der skulle ske en ulykke. Lad forhandleren hjælpe dig med at vælge det rigtige udstyr.
- Brug godkendt høreværn med tilstrækkelig dæmpning. Langvarig eksponering for støj kan medføre permanente høreskader.



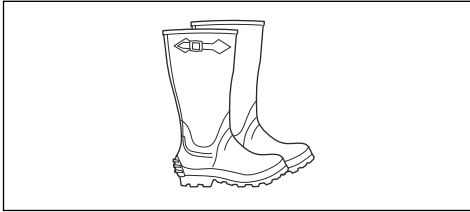
- Brug godkendt øjenværn. Hvis du bruger et ansigtsværn, skal du også bruge godkendte beskyttelsesbriller. Godkendte beskyttelsesbriller skal overholde den amerikanske standard ANSI Z87.1 eller EU-standarden EN 166.



- Brug om nødvendigt beskyttelseshandsker, f.eks. ved montering, eftersyn og rengøring af skæreudstyret.



- Brug beskyttelsessko med stålsnude og skridsikre såler.



- Brug beklædning, der er lavet af et stærkt materiale. Brug altid kraftige lange bukser og lange ærmer. Brug ikke løstsiddende tøj, som kan sætte sig fast i buske og grene. Undgå smykker, shorts og sandaler, og gå ikke barfodet. Sæt håret op i en sikker højde, dvs. over skulderen.
- Sørg for at have førstehjælpsudstyr ved hånden.



Sikkerhedsanordninger på skæreudstyret.



ADVARSEL: Læs advarselsinstruktionerne, inden du bruger skæreudstyret.

I dette afsnit forklares mere om skæreudstyrets sikkerhedsfunktioner og formål, samt hvordan kontrol og vedligeholdelse skal udføres for at sikre, at det fungerer. Se anvisningerne i afsnittet *Oversigt over tilbehør på side 33* for at se, hvor disse dele sidder på skæreudstyret.

Maskinens levetid kan forkortes, og risikoen for ulykker kan øges, hvis vedligeholdelsen ikke udføres korrekt, og hvis service og/eller reparation ikke udføres fagligt korrekt. Kontakt det nærmeste serviceværksted for at få yderligere oplysninger.



ADVARSEL: Brug aldrig skæreudstyr med defekte komponenter. Skæreudstyrets sikkerhedsudstyr skal kontrolleres og vedligeholdes som beskrevet i dette afsnit. Klarer skæreudstyret ikke alle kontrollerne, skal du kontakte et serviceværksted for at få det repareret.



ADVARSEL: Al service og reparation af produktet kræver specialuddannelse. Dette gælder især produktets sikkerhedsudstyr. Hvis produktet ikke klarer nogen af de nedennævnte kontroller, skal du kontakte dit serviceværksted. Ved at købe nogle af vores produkter kan du være sikker på at få en faglig korrekt reparation og service. Hvis produktet er købt et sted, som ikke er en af vores serviceydende forhandlere, skal du spørge dem efter det nærmeste serviceværksted.

Sikkerhedsinstruktioner for vedligeholdelse



ADVARSEL: Læs følgende advarselsinstruktioner, inden du udfører vedligeholdelsesarbejde.

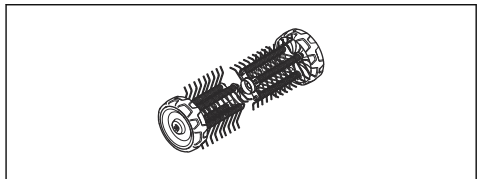


ADVARSEL: Stands altid produktet, inden du foretager arbejde på tilbehøret. Vær opmærksom på, at tilbehøret kan fortsætte med at bevæge sig, efter at gashåndtaget/strømdøseren slippes. Sørg for, at tilbehøret er standset helt. Hvis du har et benzindrevet produkt, skal du fjerne tændrørskablet fra tændrøret. Hvis du har et batteridrevet produkt, skal du fjerne batteriet.



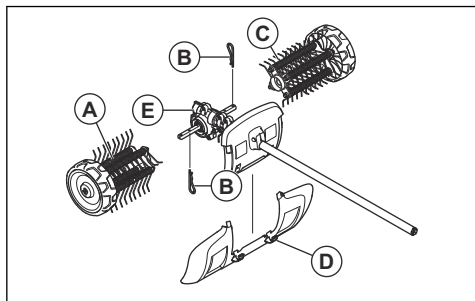
ADVARSEL: Brug altid beskyttelseshandsker.

- Kontrollér hele produktet, før arbejdet startes. Kontrollér, at alle afskærmninger og dæksler er på plads og korrekt fastgjort. Kontrollér alle møtrikker og skruer.
- Hvis du har et benzindrevet produkt, skal du sørge for, at der ikke forekommer brændstofflækager.
- Udskift beskadigede dele.



Montering

Sådan monteres tilbehøret

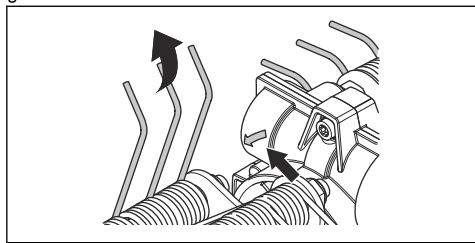


En pil på gearhuset angiver rotationsretningen. Gearhuset skal placeres som vist.

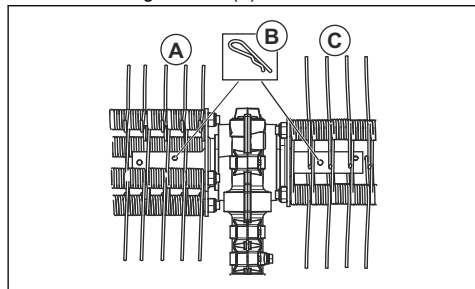
VIKTIGT:

Mosvertikalskærerens ruller er markeret med pile, der viser rotationsretningen. Sørg for, at mosvertikalskærerens ruller er monteret korrekt.

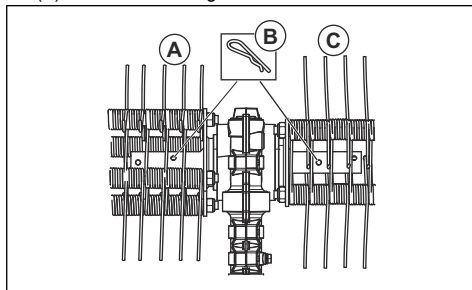
Mosvertikalskærerens ruller skal monteres lidt forskudt i forhold til hinanden. Mosvertikalskærerens fjedre skal pege i samme retning som rotationsretningspilen på gearhuset.



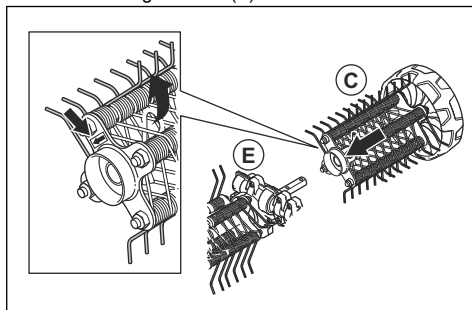
1. Tryk den venstre mosvertikalskærer (A) på venstre drivaksel fra gearhuset (E).



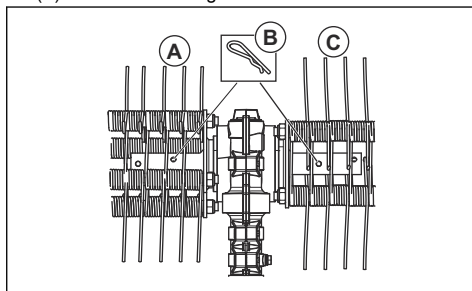
2. Fastgør mosvertikalskærerens rulle med låsestiften (B) ind i det indvendige hul i akslen.



3. Tryk den højre mosvertikalskærer (C) på højre drivaksel fra gearhuset (E).



4. Fastgør mosvertikalskærerens rulle med låsestiften (B) ind i det indvendige hul i akslen.



5. Monter stænkskærmen med snaplåsene (D).

Bemærk: Ved montering af tilbehør på et basisprodukt skal du se manualen for basisproduktet.

Drift

Sådan startes produktet med en kold motor

Hvis du har et benzindrevet produkt, skal du overholde disse instruktioner for at starte produktet med en kold motor.

1. Kør basisproduktet, indtil det er varmt, og sluk derefter produktet.
2. Monter tilbehøret som beskrevet i monteringsanvisningen.
3. Ved justering af karburatoren skal du sørge for, at vertikalskæreren holdes mod jorden, og at ingen andre personer er i nærheden.
4. Lad mosvertikalskæreren køre i tomgang.
5. Kontrollér, at håndtaget og sikkerhedsfunktioner er i orden. Brug aldrig et produkt, som mangler dele eller er ændret i strid med specifikationerne.

Sådan bruges tilbehøret

1. Kør mosvertikalskæreren med fuld gas (eller næsten fuld gas) med hjulene hvilende på underlaget.

Bemærk: Det er både trættende og unødvendigt at løfte eller holde mosvertikalskæreren over jorden under arbejdet.

2. Bibehold en lav arbejdsvinkel i forhold til underlaget. Med en stejl arbejdsvinkel vil mosvertikalskæreren have tendens til at bevæge sig mod dig, og du risikerer at miste kontrollen over produktet.



Vedligeholdelse

Indledning

Nedenfor følger nogle generelle vedligeholdelsesinstruktioner. Hvis du har brug for yderligere oplysninger, kan du kontakte serviceværkstedet.

Sådan vedligeholdes tilbehøret



BEMÆRK: Meget af arbejdet med mosvertikalskæreren foregår ofte under støvede forhold. Hvis du har et benzindrevet produkt, er det ekstremt vigtigt, at luftfilteret efterses jævnligt, ofte dagligt, og smøres med olie, for at det fungerer tilfredsstillende.

Se brugsanvisningen til strømmerheden for vedligeholdelsesinstruktioner.

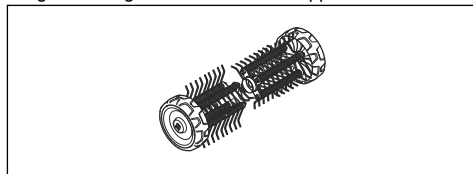


ADVARSEL: Bær altid beskyttelseshandsker, når du udfører vedligeholdelse på tilbehøret.



ADVARSEL: Efter arbejde med produktet bliver gearhuset varmt. Rør ikke ved gearkassen for at undgå forbrændinger.

1. Sørg for, at mosvertikalskæreren ikke roterer, når gashåndtaget/strømuldseren slippes.



2. Rengør hjulene, hvis de ikke roterer frit.

Transport, opbevaring og bortskaffelse

Transport og opbevaring

Hvis skæreudstyret transporteres på et andet køretøj, skal du altid bruge godkendte fastgørelsesdele og sørge for, at skæreudstyret er sikkert fastgjort.

Sørg for, at skæreudstyret er ordentligt rengjort, og at der er udført fuldstændig service, inden langtidsopbevaring.

Tekniske data

Tekniske data for benzindrevne produkter

Mosvertikalskærer	DT600
Bredde, mm	556
Vægt	
Vægt, kg	6,5
Støjmissioner ¹⁹	
Lydeffektniveau, målt dB (A)	105
Lydeffektniveau, garanteret L_{WA} dB (A)	109
Lydniveauer ²⁰	
Ækvivalent lydtryksniveau ved brugerens ører målt i henhold til EN ISO 22868, dB(A):	95
Vibrationer ²¹	
Ækvivalente vibrationsniveauer ($a_{h\nu,eq}$) i håndtag målt i henhold til EN ISO 22867, m/s^2	
Forreste/bageste håndtag	6,2/4,3

Tekniske data for batteridrevne produkter

325ILK + Vertikalskærertilbehør DT600	
Bredde, mm	556
Vægt	
Vægt, kg	2,3+6,5

¹⁹ Målt sammen med Husqvarna-godkendt ekstraudstyr. Emission af støj til omgivelserne målt som lydeffekt (L_{WA}) i henhold til EF-direktiv 2000/14/EF. Rapporteret lydeffektniveau for maskinen er målt med det originale skæreudstyr, der giver det højeste niveau. Forskellen mellem garanteret og målt lydeffekt er, at den garanterede lydeffekt også omfatter spredning i måleresultatet og variationerne mellem forskellige maskiner af samme model i henhold til direktivet 2000/14/EF.

²⁰ Målt sammen med Husqvarna-godkendt ekstraudstyr. Rapporterede data for ækvivalent lydtryksniveau for maskinen har en typisk statistisk spredning (standardafvigelse) på 1 dB(A).

²¹ Målt sammen med Husqvarna-godkendt ekstraudstyr. Rapporterede data for ækvivalent vibrationsniveau har en typisk statistisk spredning (standardafvigelse) på 1 m/s^2 .

325ILK + Vertikalskærertilbehør DT600	
Støjmissioner ²²	
Lydeffektniveau, målt dB (A)	89
Lydniveauer ²³	
Lydtryksniveau ved brugerens ører målt i henhold til ISO 22868, dB(A):	77
Vibrationer ²⁴	
Vibrationsniveauer i håndtag målt i henhold til EN 62841-1, m/s ²	
Forreste/bageste håndtag	1,9/2,6
Udstyret med godkendt tilbehør (original), venstre/højre	1,9/2,6

²² Rapporterede data for maskinens støjniveau har en typisk statistisk spredning (standardafvigelse) på 3 dB (A) og er blevet målt med det originale udstyr, der giver det højeste niveau.

²³ Rapporterede data for maskinens lydtryksniveau har en typisk statistisk spredning (standardafvigelse) på 3 dB (A) og er blevet målt med det originale udstyr, der giver det højeste niveau.

²⁴ Rapporterede data for vibrationsniveau har en typisk statistisk spredning (standardafvigelse) på 2 m/s². Til sammenligning af vibrationsniveauer mellem batteri- og benzindrevne produkter skal du anvende vibrationsberegneren. <https://www.husqvarna.com/uk/services-solutions/vibration-calculator/>.

Overensstemmelseserklæring

EU-overensstemmelseserklæring

Vi, **Husqvarna AB**, SE-561 82 Huskvarna, Sverige,
tlf.: +46-36-146500 erklærer under eneansvar, at det
pågældende produkt:

Beskrivelse	Mosvertikalskærer
Varemærke	Husqvarna
Type / model	DT600
Identifikation	Serienumrene fra 2022 og fremefter

overholder følgende EU-direktiver og bestemmelser:

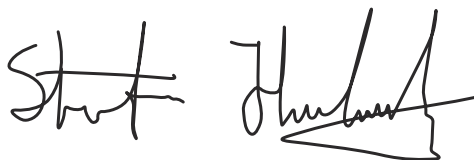
Direktiv/bestemmelse	Beskrivelse
2006/42/EF	"vedrørende maskiner"
2000/14/EF	"vedrørende støjemissioner til omgivelserne"
2011/65/EU	"om begrænsning af anvendelsen af visse farlige stoffer i elektrisk og elektronisk udstyr"

og at følgende standarder og/eller tekniske
specifikationer anvendes: EN ISO 12100:2010, EN IEC
63000:2018

RISE SMP Svenska Maskinprovning AB, Box 7035,
SE-750 07 Uppsala, Sweden, har foretaget frivillig
typegodkendelse for Husqvarna AB.

Certifikatnummer: SEC/15/2411

Huskvarna , 2022-03-14



Stefan Holmberg, R&D Director, Technology
Management, Husqvarna AB

Ansvarlig for teknisk dokumentation



Inhalt

Einleitung.....	43	Wartung.....	49
Sicherheit.....	44	Transport, Lagerung und Entsorgung.....	50
Montage.....	48	Technische Angaben.....	50
Betrieb.....	49	Konformitätserklärung.....	52

Einleitung

Produktbeschreibung

Wir arbeiten ständig an der Weiterentwicklung unserer Geräte und behalten uns daher das Recht auf Änderungen ohne vorherige Ankündigung, z. B. von Form und Aussehen, vor.

Hinweis: Dieses Handbuch bezieht sich sowohl auf benzin- als auch auf akkubetriebene Antriebsaggregate.

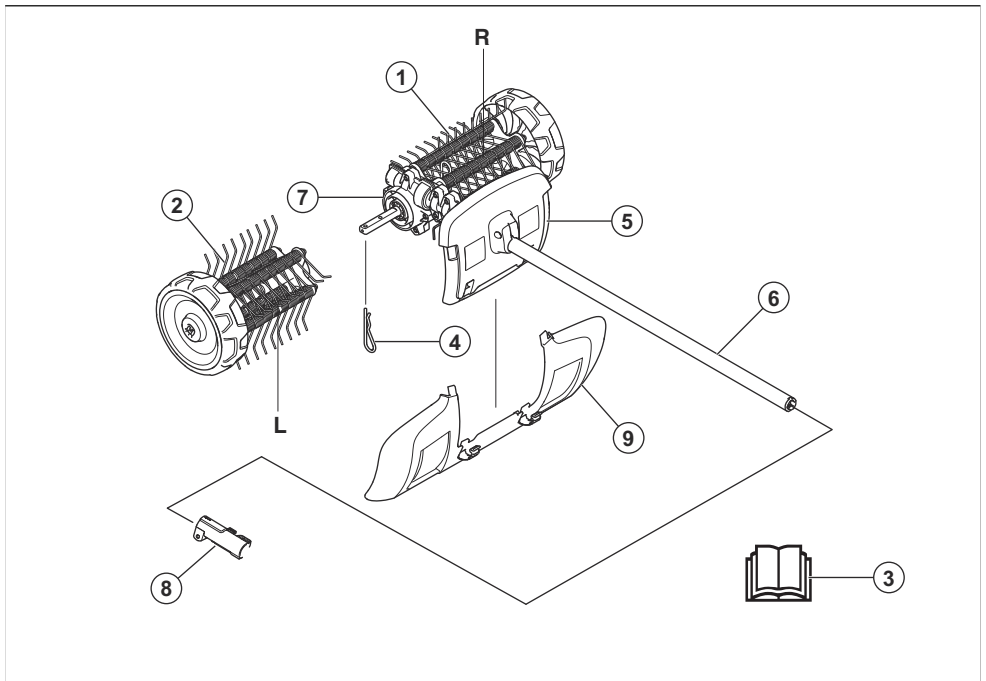
Verwendungszweck



WARNUNG: Dieses Anbaugerät darf nur zusammen mit dem vorgesehenen Gerät verwendet werden. Siehe Kapitel „Anbaugeräte“ der Bedienungsanleitung des Geräts.

Das Anbaugerät dient nur zum Vertikutieren von Rasen.

Übersicht über das Anbaugerät



1. Vertikutierer rechts
2. Vertikutierer links
3. Bedienungsanleitung
4. Spannstift
5. Schutz (Schutz am Führungsrohr)
6. Schaft
7. Getriebegehäuse
8. Führungsröhrkupplung (im Lieferumfang enthalten)
9. Spritzschutz

Symbole auf dem Anbaugerät und dem Antriebsaggregat



Durch unsachgemäße oder nachlässige Handhabung dieses Anbaugeräts können schwere Verletzungen oder sogar tödliche Unfälle von Anwendern oder anderen Personen verursacht werden.



Lesen Sie die Bedienungsanleitung aufmerksam durch, und machen Sie sich mit den Anweisungen vertraut, bevor Sie das Anbaugerät verwenden.



Tragen Sie einen zugelassenen Gehörschutz. Tragen Sie einen zugelassenen Augenschutz. Verwenden Sie bei Staubgefahr eine Atemschutzmaske.



Dieses Anbaugerät stimmt mit den geltenden CE-Richtlinien überein.



Dieses Gerät entspricht den geltenden UK-Richtlinien.



Rotierende Teile. Halten Sie Hände und Füße von der Gefahrenzone fern. Der Pfeil gibt die Rotationsrichtung an.



Tragen Sie stets zugelassene Schutzhandschuhe.



Tragen Sie rutschfeste und stabile Stiefel.



Achten Sie auf hochgeschleuderte und abprallende Gegenstände.



Der Bediener muss darauf achten, dass sich Personen oder Tiere bis auf höchstens 15 m nähern. Wenn mehrere Bediener am selben Einsatzort arbeiten, muss ein Sicherheitsabstand von mindestens 15 m eingehalten werden. Das Anbaugerät kann Gegenstände mit großer Kraft herausschleudern, die zurückprallen können. Dies kann zu schweren Augenverletzungen führen, wenn die empfohlene Schutzausrüstung nicht getragen wird.



Halten Sie während des Betriebs des Gerätes einen Mindestabstand von 15 m (50 ft) zu Personen oder Tieren ein.



Halten Sie alle Körperteile von heißen Oberflächen fern.



Etikett mit Geräuschemissionen gemäß EU- und UK-Richtlinien und Verordnungen sowie der australischen „Protection of the Environment Operations (Noise Control) Regulation 2017“ (Umweltschutz-/Lärmschutzbestimmung) von New South Wales. Der garantierte Schalleistungspegel des Geräts ist unter *Technische Angaben auf Seite 50* und auf dem Etikett angegeben.

Hinweis: Sonstige Symbole/Aufkleber auf dem Anbaugerät beziehen sich auf spezielle Zertifizierungsanforderungen, die in bestimmten Ländern gelten.

Sicherheit

Sicherheitsdefinitionen

Warnungen, Vorsichtsmaßnahmen und Hinweise werden verwendet, um auf besonders wichtige Teile der Bedienungsanleitung hinzuweisen.



WARNUNG: Wird verwendet, wenn bei Nichtbeachtung der Anweisungen in diesem Handbuch die Gefahr von Verletzung oder

Tod des Bedieners oder anderer Personen besteht.



ACHTUNG: Wird verwendet, wenn bei Nichtbeachtung der Anweisungen in diesem Handbuch die Gefahr von Schäden am Produkt und/oder am Anbaugerät, an anderen Materialien oder in der Umgebung besteht.

Hinweis: Für weitere Informationen, die in bestimmten Situationen nötig sind.

Allgemeine Sicherheitshinweise



WARNUNG: Lesen Sie die folgenden Sicherheitshinweise, bevor Sie das Anbaugerät benutzen.

- Lesen Sie die Betriebsanleitung sorgfältig durch und machen Sie sich mit dem Inhalt vertraut, bevor Sie das Anbaugerät benutzen.
- Diese Anweisungen ergänzen die Anweisungen, die im Lieferumfang des Geräts enthalten waren. Weitere Verfahren finden Sie in der Bedienungsanleitung des Geräts.
- Unter keinen Umständen darf die ursprüngliche Konstruktion des Anbaugerätes ohne Genehmigung des Herstellers geändert werden. Verwenden Sie keine Anbaugeräte, die modifiziert wurden, und verwenden Sie immer Originalzubehör. Unzulässige Änderungen und/oder unzulässiges Zubehör können zu schweren oder sogar tödlichen Verletzungen des Anwenders oder anderer Personen führen.

Lesen Sie alle Anweisungen



WARNUNG: Beim Gebrauch von elektrischen Gartengeräten müssen immer einige grundlegende Sicherheitsvorschriften beachtet werden, um die Gefahr eines Brandes, vor elektrischen Schlägen und Verletzungen auszuschließen. Die Sicherheitsvorschriften umfassen folgende Vorschriften:

Sicherheitshinweise zum Vertikutierer

- Gestatten Sie niemals Personen (einschl. Kindern), die über eingeschränkte körperliche, sensorische oder geistige Fähigkeiten verfügen oder denen es an der erforderlichen Erfahrung und Kenntnissen mangelt bzw. die mit der Betriebsanleitung nicht vertraut sind, dieses Gerät zu bedienen. Unter Umständen gelten gesetzlich vorgeschriebene Altersbeschränkungen für den Bediener.
- Betreiben Sie das Produkt niemals, wenn sich Personen, insbesondere Kinder, oder Haustiere in der Nähe befinden.
- Arbeiten Sie nicht über die normale Reichweite hinaus und bewahren Sie zu jeder Zeit das Gleichgewicht. Achten Sie immer auf festen Untergrund an Hängen und laufen Sie nie mit dem Gerät.
- Berühren Sie niemals bewegliche gefährliche Bauteile, bevor das Gerät vom Stromnetz getrennt wurde und diese vollständig zum Stillstand gekommen sind.

- Tragen Sie beim Betrieb des Geräts stets festes Schuhwerk und lange Hosen.
- Entfernen Sie den Akku, wenn Sie das Gerät unbeaufsichtigt abstellen, eine Blockade entfernen und bevor Sie das Gerät reinigen oder daran arbeiten.
- Entfernen Sie den Akku, bevor Sie das Gerät auf Beschädigungen untersuchen, wenn z. B. ein Fremdkörper getroffen wurde oder Vibrationen aufgetreten sind.
- Schließen Sie kein beschädigtes Kabel an und berühren Sie das beschädigte Elektrokabel erst, wenn es von der Stromversorgung getrennt wurde. Kontakt mit Strom durch ein beschädigtes Kabel kann zu Verletzungen oder zum Tod führen.
- Betreiben Sie das Gerät niemals mit defekten Schutzvorrichtungen und Schutzabdeckungen oder bei nicht befestigten Sicherheitsvorrichtungen bzw., wenn das Kabel beschädigt oder abgenutzt ist.
- Halten Sie Verlängerungskabel von den gefährlichen beweglichen Teilen fern, um Beschädigungen des Kabels zu vermeiden, die zu Stromschlägen führen können.
- Schließen Sie das Gerät nur an eine Stromversorgung mit einem FI-Schutzschalter (RCD) und einem Auslösestrom von höchstens 30 mA an.
- Verwenden Sie das Produkt nicht bei schlechten Wetterverhältnissen, insbesondere dann, wenn das Risiko eines Blitzeinschlags besteht.

Sicherheitshinweise für den Betrieb

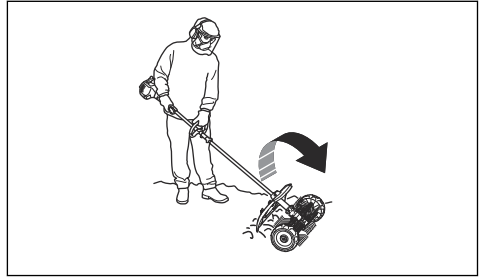


WARNUNG: Lesen Sie die folgenden Warnhinweise, bevor Sie das Gerät benutzen.

- Der Stoppschalter geht automatisch in die Startstellung zurück. Achten Sie darauf, dass das Gerät bei Montage, Prüfung und/oder Wartung nicht unbeabsichtigt gestartet wird. Wenn Ihr Gerät mit Benzin betrieben wird, entfernen Sie die Zündkappe von der Zündkerze. Wenn Ihr Gerät mit einem Akku betrieben wird, nehmen Sie den Akku heraus.
- Achten Sie auf hochgeschleuderte Gegenstände. Tragen Sie immer einen Augenschutz. Beugen Sie sich niemals über den Vertikutierer. Hochgeschleuderte Steine, Unrat usw. können die Augen treffen und Blindheit oder schwere Verletzungen verursachen.
- Das Getriebe kann während des Betriebs heiß laufen und kühlt nur langsam ab. Beim Berühren besteht Verbrennungsgefahr.
- Obwohl die Bürstentrommeln nicht die gleiche Stärke haben wie zum Beispiel die Klängen eines Rasenmähers, sollten Sie es vermeiden, mit Material zu arbeiten, das Verletzungen oder Sachschäden verursachen kann, wenn es weggeschleudert wird.

- Sie dürfen das Gerät niemals benutzen, wenn nicht die Möglichkeit besteht, im Falle eines Unfalls Hilfe herbeizurufen.
- Benutzen Sie das Gerät nur für solche Arbeiten, für die es vorgesehen ist.
- Arbeiten Sie niemals mit dem Gerät, wenn Sie müde sind, Alkohol getrunken oder Medikamente eingenommen haben, da hierdurch Sehkraft, Urteilsvermögen oder Körperkontrolle beeinträchtigt werden können.
- Benutzen Sie das Gerät niemals bei extremen Klimaverhältnissen wie strenger Kälte oder sehr heißem und/oder feuchten Klima.
- Arbeiten Sie niemals mit einem defekten Gerät. Die Kontroll-, Wartungs- und Serviceanweisungen in dieser Bedienungsanweisung sind genau zu befolgen. Gewisse Wartungs- und Servicemaßnahmen sind von geschulten, qualifizierten Fachleuten auszuführen. Siehe Anweisungen unter dem Titel „Wartung“.
- Gestatten Sie auf keinen Fall Kindern, das Gerät zu benutzen.
- Lassen Sie niemals jemand anderen das Gerät benutzen, ohne sich zu vergewissern, dass die Person den Inhalt der Bedienungsanleitung gelesen und verstanden hat.
- Halten Sie Unbefugte auf Abstand. Kinder, Tiere, Zuschauer und Helfer sollten sich außerhalb einer Sicherheitszone von 15 m befinden, während Sie mit dem Gerät arbeiten. Stellen Sie das Gerät sofort ab, wenn sich jemand nähert.
- Wenn Sie in eine Situation kommen, die Sie in Bezug auf die weitere Anwendung des Geräts verunsichert, lassen Sie sich von einem Experten beraten. Wenden Sie sich an Ihren Fachhändler oder Ihre Servicewerkstatt.
- Vermeiden Sie, Arbeiten auszuführen, denen Sie sich nicht gewachsen fühlen.
- Achten Sie bei der Arbeit auf die Umgebung achten und stellen Sie sicher, dass weder Menschen noch Tiere mit der Schneidausrüstung in Berührung kommen können oder Ihre Kontrolle über das Gerät beeinträchtigen.
- Achten Sie immer genau auf Warnsignale oder Rufe, wenn Sie den Gehörschutz tragen. Nehmen Sie den Gehörschutz immer ab, sobald der Motor abgestellt ist.
- Benutzen Sie das Gerät nicht bei schlechtem Wetter, z. B. bei dichtem Nebel, starkem Regen oder Wind, großer Kälte usw. Bei schlechtem Wetter ist das Arbeiten nicht nur ermüdend, es können außerdem gefährliche Arbeitsbedingungen wie z. B. glatter, vereister Boden entstehen.
- Stellen Sie sicher, dass Sie sicher gehen und stehen können. Achten Sie auf evtl. Hindernisse (Wurzeln, Steine, Äste, Löcher, Gräben usw.), wenn Sie unvermittelt Ihren Standort wechseln. Beim Arbeiten

auf abschüssigem Boden müssen Sie immer sehr vorsichtig sein.



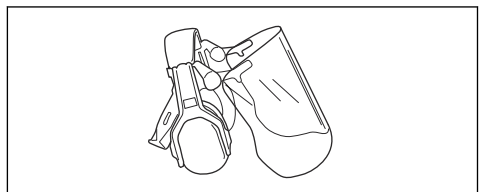
- Stellen Sie beim Bewegen den Motor ab.
- Stellen Sie das Gerät niemals mit laufendem Motor unbeaufsichtigt ab.
- Halten Sie das Gerät immer mit beiden Händen fest. Halten Sie das Gerät an der Seite des Körpers.
- Stellen Sie sicher, dass Hände und Füße nicht in die Nähe des Vertikutierers kommen, solange dieser läuft.
- Wenn der Motor abgestellt worden ist, halten Sie Hände und Füße vom Vertikutierer fern, bis dieser völlig stillsteht.
- Schalten Sie das Gerät bei starken Vibrationen ab. Wenn Ihr Gerät mit Benzin betrieben wird, ziehen Sie das Zündkerzenkabel von der Zündkerze ab. Wenn Ihr Gerät mit einem Akku betrieben wird, nehmen Sie den Akku aus dem Gerät. Vergewissern Sie sich, dass das Gerät nicht beschädigt ist. Reparieren Sie eventuelle Schäden.

Persönliche Schutzausrüstung

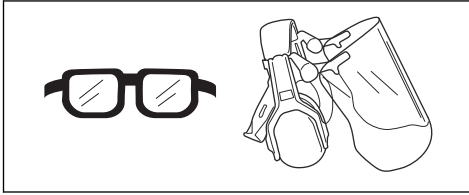


WARNUNG: Lesen Sie die folgenden Warnhinweise, bevor Sie das Gerät benutzen.

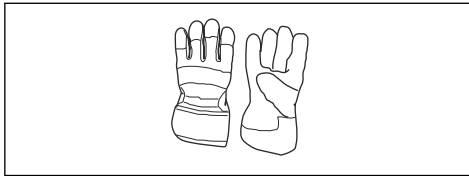
- Verwenden Sie stets die vorgeschriebene persönliche Schutzausrüstung bei der Benutzung des Geräts. Durch Tragen persönlicher Schutzausrüstung können Verletzungen nicht vollständig ausgeschlossen werden, aber im Ernstfall kann so die Verletzungsschwere reduziert werden. Lassen Sie sich von Ihrem Händler bei der Auswahl der richtigen Ausrüstung unterstützen.
- Tragen Sie einen Gehörschutz mit ausreichender Dämmwirkung. Eine längerfristige Beschallung mit Lärm kann zu bleibenden Gehörschäden führen.



- Tragen Sie einen zugelassenen Augenschutz. Bei der Benutzung eines Visiers ist auch eine zugelassene Schutzbrille zu tragen. Zugelassene Schutzbrillen sind in diesem Falle diejenigen, die die Normen ANSI Z87.1 für die USA bzw. EN 166 für EU-Länder erfüllen.



- Tragen Sie bei Bedarf Schutzhandschuhe, beispielsweise bei der Montage, der Untersuchung oder der Reinigung der Schneidausrüstung.



- Tragen Sie Schutzstiefel mit Stahlkappen und rutschfesten Sohlen.



- Tragen Sie Kleidung aus reißfestem Material. Tragen Sie stets lange Hosen aus schwerem Stoff und lange Ärmel. Tragen Sie keine weite Kleidung, die sich leicht an Ästen und Zweigen verfangen könnte. Vermeiden Sie das Tragen von Schmuck, kurzen Hosen und Sandalen. Gehen Sie nicht barfuß. Binden Sie Ihre Haare sicherheitshalber zusammen, sodass sie nicht über Ihre Schultern fallen.
- Halten Sie eine Erste-Hilfe-Ausrüstung und einen Feuerlöscher griffbereit.



Sicherheitsvorrichtungen am Anbaugerät



WARNUNG: Lesen Sie die folgenden Warnhinweise, bevor Sie das Anbaugerät benutzen.

In diesem Abschnitt werden die Sicherheitsfunktionen des Anbaugeräts, ihr Zweck sowie die Kontrollen und Wartungsarbeiten beschrieben, die ausgeführt werden müssen, um die Funktionsfähigkeit des Geräts sicherzustellen. Die Einbaulage dieser Komponenten ist unter der Überschrift *Übersicht über das Anbaugerät auf Seite 43* gelistet.

Die Lebensdauer des Geräts kann verkürzt werden und die Unfallgefahr kann steigen, wenn die Wartung des Anbaugeräts nicht ordnungsgemäß und Service und/oder Reparaturen nicht fachmännisch ausgeführt werden. Wenden Sie sich für weitere Informationen an Ihre Vertragswerkstatt.



WARNUNG: Benutzen

Sie kein Anbaugerät mit defekten Sicherheitsvorrichtungen. Die Sicherheitsausrüstung des Anbaugeräts muss so überprüft und gewartet werden, wie dies in diesem Abschnitt beschrieben wird. Wenn Ihr Anbaugerät diesen Anforderungen nicht entspricht, muss eine Servicewerkstatt aufgesucht werden.



WARNUNG: Service und

Reparatur des Geräts erfordern eine Spezialausbildung. Dies gilt besonders für die Sicherheitsausrüstung des Geräts. Wenn Ihr Gerät den unten aufgeführten Kontrollanforderungen nicht entspricht, müssen Sie Ihre Servicewerkstatt aufsuchen. Beim Kauf eines unserer Geräte wird gewährleistet, dass Reparatur- oder Servicearbeiten fachmännisch ausgeführt werden. Sollte der Verkäufer Ihres Geräts nicht an unser Fachhändler-Service-Netz angeschlossen sein, fragen Sie nach unserer nächstgelegenen Servicewerkstatt.

Sicherheitshinweise für die Wartung



WARNUNG: Lesen Sie die folgenden Warnhinweise, bevor Sie Wartungsarbeiten am Gerät durchführen.



WARNUNG: Schalten Sie das Gerät vor der Durchführung von Wartungsarbeiten am Anbaugerät stets ab. Achtung! Das Anbaugerät kann nach dem Loslassen des Gashebels noch weiterlaufen. Vergewissern Sie sich, dass das Anbaugerät vollständig zum Stillstand gekommen ist. Wenn Ihr

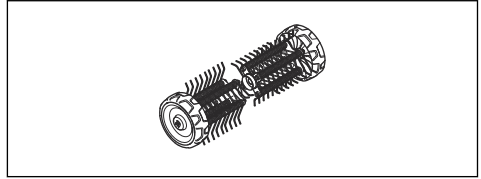
Gerät mit Benzin betrieben wird, ziehen Sie das Zündkerzenkabel von der Zündkerze ab. Wenn Ihr Gerät mit einem Akku betrieben wird, nehmen Sie den Akku raus.

- Wenn Ihr Gerät mit Benzin betrieben wird, prüfen Sie, dass kein Kraftstoff ausläuft.
- Ersetzen Sie die beschädigten Teile.



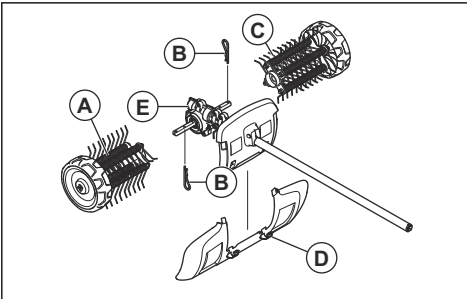
WARNUNG: Verwenden Sie stets Schutzhandschuhe.

- Kontrollieren Sie sorgfältig das Gerät, bevor Sie mit der Arbeit beginnen. Prüfen Sie, ob alle Sicherheits- und Schutzvorrichtungen montiert und richtig befestigt sind. Prüfen Sie alle Muttern und Schrauben.



Montage

So montieren Sie das Anbaugerät

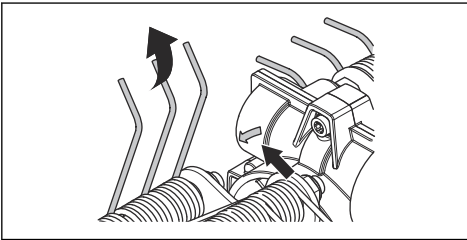


Der Pfeil auf dem Getriebegehäuse gibt die Rotationsrichtung an. Das Getriebegehäuse muss platziert werden, wie in der Abbildung dargestellt.

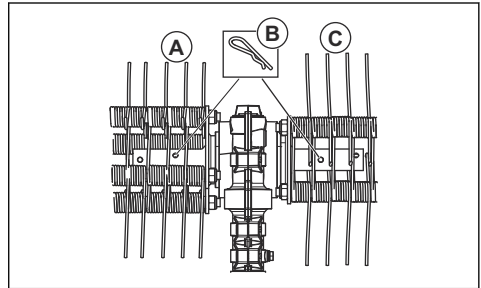
WICHTIG:

Auf den Rollen des Vertikutierers befinden sich Pfeile, die die Rotationsrichtung angeben. Stellen Sie sicher, dass die Rollen des Vertikutierers korrekt montiert sind.

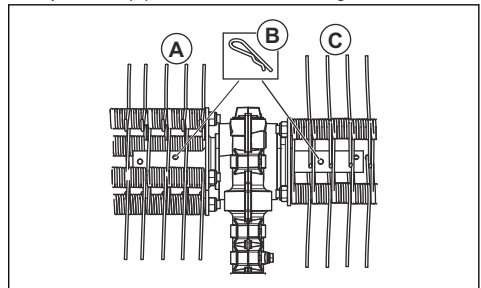
Die Rollen des Vertikutierers müssen leicht versetzt zueinander montiert werden. Die Federn des Vertikutierers sollten in die gleiche Richtung zeigen, wie die auf dem Getriebegehäuse angegebene Rotationsrichtung.



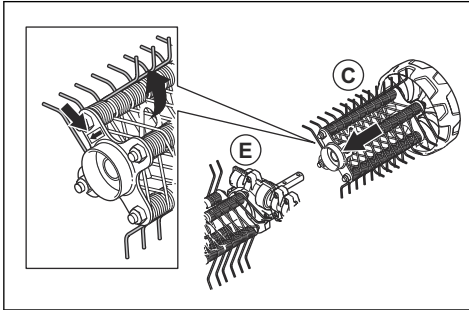
1. Drücken Sie den linken Vertikutierer (A) auf die linke Antriebswelle des Getriebegehäuses (E).



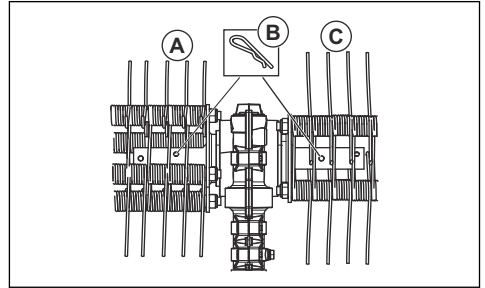
2. Befestigen Sie die Rolle des Vertikutierers mit dem Spannstift (B) in der inneren Bohrung in der Welle.



- Drücken Sie den rechten Vertikutierer (C) auf die rechte Antriebswelle des Getriebegehäuses (E).



- Befestigen Sie die Rolle des Vertikutierers mit dem Spannstift (B) in der inneren Bohrung in der Welle.



- Montieren Sie den Spritzschutz mit den Schnappbefestigungen (D).

Hinweis: Zur Montage des Zubehörteils am Basisgerät lesen Sie die Betriebsanleitung des Basisgeräts.

Betrieb

So starten Sie das Gerät bei kaltem Motor

Wenn Ihr Gerät benzinbetrieben ist, befolgen Sie diese Anweisungen, um Ihr Gerät bei kaltem Motor zu starten.

- Lassen Sie das Basisgerät warmlaufen und schalten Sie es dann aus.
- Montieren Sie das Zubehörteil gemäß der Montageanleitung.
- Stellen Sie beim Anpassen des Vergasers sicher, dass die Bürstentrommeln gegen den Boden gehalten werden und dass sich niemand in der Nähe befindet.
- Stellen Sie den Vertikutierer in Leerlaufposition.
- Sorgen Sie dafür, dass der Handgriff in gutem Zustand ist und die Sicherheitseinrichtungen intakt sind. Verwenden Sie niemals ein Gerät, bei dem ein Teil fehlt oder das so modifiziert wurde, dass es nicht mehr den technischen Daten entspricht.

So verwenden Sie das Anbaugerät

- Lassen Sie den Vertikutierer mit Vollgas (oder fast Vollgas) laufen, während die Räder die Oberfläche berühren.

Hinweis: Es ist sowohl ermüdend als auch unnötig, den Vertikutierer während der Arbeit anzuheben oder ihn hochzuhalten.

- Halten Sie den Arbeitswinkel zur Oberfläche stets klein. Ein zu großer Arbeitswinkel führt dazu, dass der Vertikutierer sich eher in Ihre Richtung bewegt, und Sie riskieren, die Kontrolle über das Gerät zu verlieren.



Wartung

Einleitung

Nachstehend folgen einige allgemeine Wartungsanweisungen. Sollten Sie weitere Informationen brauchen, wenden Sie sich bitte an Ihre Servicewerkstatt.

Warten des Geräts



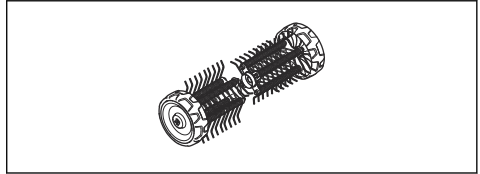
ACHTUNG: Die Arbeit mit dem Vertikutierer erfolgt oft unter staubigen Bedingungen. Wenn Sie ein

benzinbetriebenes Gerät besitzen, ist es äußerst wichtig, dass die Luftfilter regelmäßig, oft auch täglich inspiziert sowie geölt werden, um zufriedenstellende Ergebnisse liefern zu können.

Wartungsanweisungen finden Sie in der Betriebsanleitung des Antriebsaggregats.

Das Getriebegehäuse nicht berühren, um Verbrennungen zu vermeiden.

1. Stellen Sie sicher, dass der Vertikutierer nicht mehr rotiert, wenn der Gashebel losgelassen wird.



2. Reinigen Sie die Räder, wenn diese sich nicht einwandfrei drehen können.



WARNUNG: Tragen Sie immer Schutzhandschuhe, wenn Sie Wartungsarbeiten am Anbaugerät durchführen.



WARNUNG: Nach der Arbeit mit dem Gerät ist das Getriebegehäuse heiß.

Transport, Lagerung und Entsorgung

Transport und Aufbewahrung

Verwenden Sie beim Transport des Anbaugeräts mit einem anderen Fahrzeug stets eine zugelassene Sicherungsvorrichtung und stellen Sie sicher, dass das Anbaugerät gut gesichert wird.

Stellen Sie vor der Langzeitaufbewahrung sicher, dass das Anbaugerät gründlich gesäubert und komplett gewartet wurde.

Technische Angaben

Technische Daten für benzinbetriebene Geräte

Vertikutierer	DT600
Breite, mm	556
Gewicht	
Gewicht, kg	6,5
Geräuschemissionen ²⁵	
Gemessener Schallleistungspegel dB (A)	105
Garantierter Schallleistungspegel L_{WA} dB (A)	109
Lautstärke ²⁶	
Äquivalenter Schalldruckpegel am Ohr des Bedieners, gemessen nach EN ISO 22868, dB (A):	95

²⁵ Gemessen zusammen mit zugelassenem Zubehör von Husqvarna. Umweltbelastende Geräuschemissionen, gemessen als Schalleistung (L_{WA}) gemäß EG-Richtlinie 2000/14/EG Der aufgezeichnete Schallleistungspegel für das Gerät wurde unter Verwendung der originalen Schneidausrüstung mit dem höchsten Pegel gemessen. Der Unterschied zwischen garantiertem und gemessenem Schallleistungspegel besteht darin, dass beim garantierten Schallleistungspegel auch eine Streuung im Messergebnis und Variationen zwischen verschiedenen Geräten desselben Modells gemäß der Richtlinie 2000/14/EG berücksichtigt werden.

²⁶ Gemessen zusammen mit zugelassenem Zubehör von Husqvarna. Berichten zufolge liegt der Schalldruckpegel für dieses Gerät normalerweise bei einer Ausbreitungsklasse (Standardabweichung) von 1 dB(A).

Vertikutierer	DT600
Vibrationen ²⁷	
Äquivalente Vibrationspegel ($a_{HV,eq}$) an den Griffen, gemessen nach EN ISO 22867, m/s^2	
Vorderer/hinterer Griff	6,2/4,3

Technische Daten für akkubetriebene Geräte

325iLK + Vertikutiereraufsatz DT600	
Breite, mm	556
Gewicht	
Gewicht, kg	2,3 + +6,5
Geräuschemissionen ²⁸	
Schalleistungspegel, gemessen dB (A)	89
Schallpegel ²⁹	
Schalldruckpegel am Ohr des Bedieners, gemessen gemäß EN ISO 22868, dB (A):	77
Vibrationen ³⁰	
Vibrationspegel an den Griffen, gemessen nach EN 62841-1, m/s^2	
Vorderer/hinterer Griff	1,9/2,6
Ausgestattet mit zugelassenem Zubehör (Original), links/rechts	1,9/2,6

- ²⁷ Gemessen zusammen mit zugelassenem Zubehör von Husqvarna. Berichten zufolge liegt der äquivalente Vibrationspegel normalerweise bei einer Ausbreitungsklasse (Standardabweichung) von $1 m/s^2$.
- ²⁸ Berichten zufolge liegt der Schalldruckpegel für dieses Gerät normalerweise bei einer Ausbreitungsklasse (Standardabweichung) von 3 dB (A) und wurde mit dem Original-Anbaugerät, das den höchsten Pegel ergibt, geprüft.
- ²⁹ Berichten zufolge liegt der Schalldruckpegel für dieses Gerät normalerweise bei einer Ausbreitungsklasse (Standardabweichung) von 3 dB (A) und wurde mit dem Original-Anbaugerät, das den höchsten Pegel ergibt, geprüft.
- ³⁰ Berichten zufolge liegt der Vibrationspegel normalerweise bei einer Ausbreitungsklasse (Standardabweichung) von $2 m/s^2$. Verwenden Sie zum Vergleich von Vibrationspegeln, Akku- und Verbrennungsgeräten den Vibrationsrechner: <https://www.husqvarna.com/uk/services-solutions/vibration-calculator/>.

Konformitätserklärung

EU-Konformitätserklärung

Die **Husqvarna AB**, SE-561 82 Huskvarna, Schweden,
Tel.: +46-36-146500, erklärt in alleiniger Verantwortung,
dass das Gerät:

Beschreibung	Vertikutierer
Marke	Husqvarna
Typ/Modell	DT600
Identifizierung	Seriennummern ab 2022

die folgenden EU-Richtlinien und -Verordnungen erfüllt:

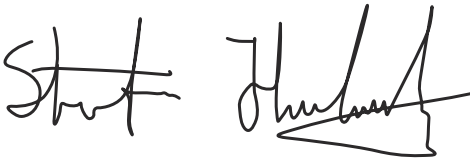
Richtlinie/Verordnung	Beschreibung
2006/42/EG	„Maschinenrichtlinie“
2000/14/EG	„über umweltbelastende Geräuschemissionen von zur Verwendung im Freien vorgesehenen Geräten und Maschinen“
2011/65/EG	„zur Beschränkung der Verwendung bestimmter gefährlicher Stoffe in Elektro- und Elektronikgeräten“

und dass die folgenden Normen und/oder technischen
Daten angewendet werden: EN ISO 12100:2010, EN
IEC 63000:2018

RISE SMP Svenska Maskinprovning AB, Box 7035,
SE-750 07 Uppsala, Sweden hat im Auftrag von
Husqvarna AB eine freiwillige Baumusterprüfung
durchgeführt.

Zertifikatsnummer: SEC/15/2411

Huskvarna , 2022-03-14



Stefan Holmberg, R&D Director, Technology
Management, Husqvarna AB

Verantwortlich für die technische Dokumentation



Περιεχόμενα

Εισαγωγή.....	53	Συντήρηση.....	60
Ασφάλεια.....	54	Μεταφορά, αποθήκευση και απόρριψη.....	60
Συναρμολόγηση.....	58	Τεχνικά στοιχεία.....	60
Λειτουργία.....	59	Δήλωση συμμόρφωσης.....	62

Εισαγωγή

Περιγραφή προϊόντος

Εφαρμόζουμε μια πολιτική συνεχούς ανάπτυξης προϊόντων και, συνεπώς, διατηρούμε το δικαίωμα να προβάουμε σε τροποποιήσεις στο σχεδιασμό και την εμφάνιση των προϊόντων χωρίς προειδοποίηση.

Περιεχόμενα Αυτό το εγχειρίδιο καλύπτει τις μονάδες παροχής ισχύος που λειτουργούν με βενζίνη και μπαταρία.

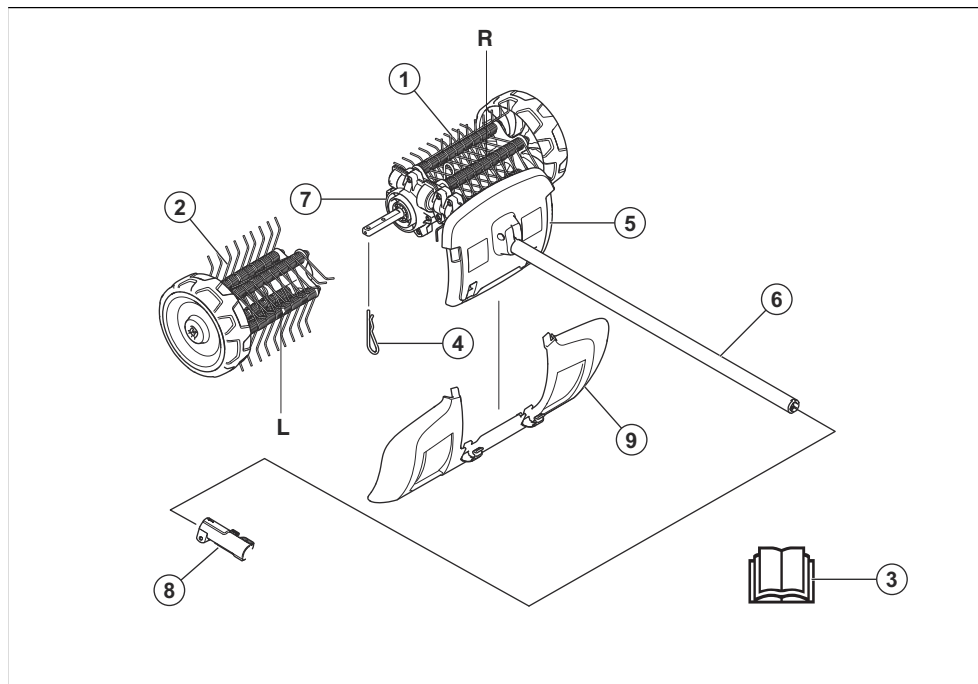
Προβλεπόμενη χρήση



ΠΡΟΕΙΔΟΠΟΙΗΣΗ: Αυτό το παρελκόμενο επιτρέπεται να χρησιμοποιείται μόνο σε συνδυασμό με το προβλεπόμενο προϊόν. Ανατρέξτε στο κεφάλαιο για τα αξεσουάρ στο Εγχειρίδιο χρήσης του προϊόντος.

Το παρελκόμενο είναι σχεδιασμένο μόνο για την απομάκρυνση των βρύων από το γρασίδι.

Επισκόπηση παρελκόμενου



1. Αραιωτήρας βρύων, δεξιά
2. Αραιωτήρας βρύων, αριστερά
3. Εγχειρίδιο χρήσης
4. Διχαλωτός πείρος
5. Προφυλακτήρας (προστασία στον άξονα)
6. Άξονας
7. Περιβλήμα γραναζιών
8. Σύνδεσμος άξονα (περιλαμβάνεται στο προϊόν)

Σύμβολα στο εξάρτημα και στη μονάδα παροχής ισχύος



Η απρόσεκτη ή λανθασμένη χρήση αυτού του εξαρτήματος μπορεί να προκαλέσει σοβαρό ή θανατηφόρο τραυματισμό στον χειριστή ή σε άλλα άτομα.



Διαβάστε το εγχειρίδιο χρήσης προσεκτικά και βεβαιωθείτε ότι έχετε κατανοήσει τις οδηγίες προτού χρησιμοποιήσετε το εξάρτημα.



Να χρησιμοποιείτε εγκεκριμένη προστασία ακοής. Να χρησιμοποιείτε εγκεκριμένη προστασία ματιών. Να χρησιμοποιείτε μάσκα αναπνοής όταν υπάρχει κίνδυνος λόγω σκόνης.



Αυτό το εξάρτημα συμμορφώνεται με τις ισχύουσες οδηγίες ΕΚ.



Αυτό το προϊόν συμμορφώνεται με τις ισχύουσες οδηγίες του Η.Β.



Κινούμενα μέρη. Μην πλησιάζετε τα χέρια και τα πόδια σας. Το βέλος υποδεικνύει την κατεύθυνση περιστροφής.



Φοράτε πάντα εγκεκριμένα προστατευτικά γάντια.



Φοράτε ανθεκτικές, ανπολισθητικές μπότες.



Προσέχετε για αντικείμενα που μπορεί να εκτοξευθούν ή να εξοστρακιστούν.



Ο χειριστής πρέπει να εξασφαλίζει ότι δεν πλησιάζουν άνθρωποι ή ζώα σε απόσταση μικρότερη από 15 m. Όταν εργάζονται πολλοί χειριστές στην ίδια τοποθεσία, πρέπει να τηρούν απόσταση ασφαλείας τουλάχιστον 15 m. Το εξάρτημα μπορεί να εκσφενδονίσει αντικείμενα με μεγάλη δύναμη, τα οποία μπορεί να αναπηδήσουν προς τα πίσω. Αυτό μπορεί να έχει ως αποτέλεσμα σοβαρό τραυματισμό των ματιών, αν δεν χρησιμοποιηθεί ο συνιστώμενος εξοπλισμός ασφαλείας.



Για όση ώρα λειτουργεί το προϊόν, να διατηρείτε ελάχιστη απόσταση 15 μέτρων από ανθρώπους και ζώα.



Διατηρείτε όλα τα μέρη του σώματος σας μακριά από τις καυτές επιφάνειες.



Ετικέτα εκπομπών θορύβου στο περιβάλλον σύμφωνα με οδηγίες και κανονισμούς της ΕΕ και του Η.Β. και τη νομοθεσία της Νότιας Νέας Ουαλίας "Κανονισμός για την προστασία των περιβαλλοντικών δράσεων (έλεγχος θορύβου) του 2017". Η εγγυημένη στάθμη θορύβου του προϊόντος καθορίζεται στην ενότητα *Τεχνικά στοιχεία στη σελίδα 60* και στην ετικέτα.

Περιεχόμενα Άλλα σύμβολα/σήματα που υπάρχουν στο παρελκόμενο αφορούν ειδικές απαιτήσεις πιστοποίησης για συγκεκριμένες αγορές.

Ασφάλεια

Ορισμοί για την ασφάλεια

Για την επισήμανση ειδικών σημαντικών τμημάτων του εγχειριδίου χρήσης χρησιμοποιούνται προειδοποιήσεις, συστάσεις προσοχής και σημειώσεις.



ΠΡΟΕΙΔΟΠΟΙΗΣΗ: Χρησιμοποιείται όταν υπάρχει κίνδυνος τραυματισμού ή θανάτου του χειριστή ή άλλων

παριστάμενων ατόμων, αν δεν τηρηθούν οι οδηγίες που παρέχονται στο εγχειρίδιο.



ΠΡΟΣΟΧΗ: Χρησιμοποιείται όταν υπάρχει κίνδυνος πρόκλησης ζημιάς στο προϊόν ή/και στο παρελκόμενο, σε άλλα υλικά ή στον παρακείμενο χώρο, αν δεν τηρηθούν οι οδηγίες που παρέχονται στο εγχειρίδιο.

Περιεχόμενα Χρησιμοποιείται για παροχή περισσότερων πληροφοριών, οι οποίες χρειάζονται σε μια δεδομένη κατάσταση.

Γενικές οδηγίες ασφαλείας



ΠΡΟΕΙΔΟΠΟΙΗΣΗ: Προτού χρησιμοποιήσετε το παρελκόμενο, διαβάστε τις παρακάτω οδηγίες ασφαλείας.

- Διαβάστε το εγχειρίδιο χρήσης προσεκτικά και βεβαιωθείτε ότι έχετε κατανοήσει τις οδηγίες προτού χρησιμοποιήσετε το παρελκόμενο.
- Αυτές οι οδηγίες συμπληρώνουν τις οδηγίες που συμπεριλαμβάνονται στο προϊόν. Για άλλες διαδικασίες, ανατρέξτε στις οδηγίες λειτουργίας του προϊόντος.
- Δεν επιτρέπονται, σε καμία περίπτωση, τροποποιήσεις στη σχεδίαση του παρελκόμενου χωρίς την έγκριση του κατασκευαστή. Μην χρησιμοποιείτε παρελκόμενα που φαίνεται ότι έχουν τροποποιηθεί από άλλους. Φροντίστε να χρησιμοποιείτε πάντα γνήσια αξεσουάρ. Η μη εξουσιοδοτημένη εκτέλεση τροποποιήσεων ή/και η χρήση μη γνήσιων αξεσουάρ μπορεί να οδηγήσει σε σοβαρό προσωπικό τραυματισμό ή θάνατο του χειριστή ή άλλων ατόμων.

Διαβάστε όλες τις οδηγίες



ΠΡΟΕΙΔΟΠΟΙΗΣΗ: Κατά τη χρήση ηλεκτρικών συσκευών κητορικής, πρέπει πάντα να τηρούνται οι βασικές προφυλάξεις ασφαλείας προκειμένου να μειωθεί ο κίνδυνος πυρκαγιάς, ηλεκτροπληξίας και τραυματισμού, συμπεριλαμβανομένων των εξής περιπτώσεων:

Οδηγίες ασφαλείας για τον αραιωτήρα

- Μην επιτρέπετε ποτέ σε παιδιά, άτομα με μειωμένες κινητικές, αισθητήριες ή νοητικές ικανότητες ή έλλειψη εμπειρίας και γνώσεων ή άτομα που δεν είναι εξοικειωμένα με τις παρούσες οδηγίες να χρησιμοποιούν το προϊόν. Οι τοπικοί κανονισμοί μπορεί να θέτουν περιορισμούς για την ηλικία του χειριστή.
- Μην χρησιμοποιείτε ποτέ το προϊόν, εάν σε μικρή απόσταση υπάρχουν άτομα, ιδιαίτερα παιδιά, ή κατοικίδια.
- Φροντίστε να μην τεντώνετε το σώμα σας για να φτάσετε σε οποιοδήποτε σημείο και να διατηρείτε πάντα την ισορροπία σας. Για σταθερή στήριξη σε κεκλιμένες επιφάνειες, πρέπει να περπατάτε και όχι να τρέχετε.
- Δεν πρέπει να αγγίζετε τα επικίνδυνα εξαρτήματα προτού αποσυνδεθεί το μηχάνημα από την παροχή ρεύματος και προτού ακινητοποιηθούν εντελώς αυτά τα εξαρτήματα.

- Όταν χειρίζεστε το μηχάνημα πρέπει πάντα να φοράτε ανθεκτικά παπούτσια και μακρύ παντελόνι.
- Πρέπει να αφαιρείτε την μπαταρία όταν το προϊόν μένει χωρίς επίβλεψη, πριν από τον καθαρισμό υλικών που το έχουν μπλοκάρει και πριν από την εκτέλεση εργασιών σε αυτό.
- Πρέπει να αφαιρείτε την μπαταρία από το προϊόν προτού το ελέγξετε για ζημιές, για παράδειγμα, αν χτυπήσει σε κάποιο ξένο αντικείμενο ή αν αρχίσει να δονείται με μη φυσιολογικό τρόπο.
- Αν το καλώδιο έχει ζημιά, μην το συνδέετε στην παροχή ρεύματος και μην το αγγίζετε προτού αποσυνδεθεί από την παροχή ρεύματος. Αν το καλώδιο έχει ζημιά, μπορεί να προκύψει επαφή με εξαρτήματα που βρίσκονται υπό τάση και να προκληθεί τραυματισμός ή θάνατος.
- Δεν πρέπει ποτέ να χρησιμοποιείτε το προϊόν αν υπάρχει βλάβη στους προφυλακτήρες/στα προστατευτικά καλώδια, χωρίς τις συσκευές ασφαλείας ή αν το καλώδιο έχει ζημιά ή έχει φθαρεί.
- Φροντίστε να διατηρείτε τα καλώδια προέκτασης μακριά από επικίνδυνα κινούμενα εξαρτήματα, για να αποφύγετε την πρόκληση ζημιά στα καλώδια, η οποία μπορεί να οδηγήσει σε επαφή με εξαρτήματα που βρίσκονται υπό τάση.
- Το προϊόν πρέπει να συνδέεται μόνο σε κύκλωμα παροχής ρεύματος που προστατεύεται με διάταξη προστασίας ρεύματος διαρροής (RCD) με ένταση ρεύματος ενεργοποίησης έως 30 mA.
- Μην χρησιμοποιείτε το προϊόν σε κακές καιρικές συνθήκες, ιδιαίτερα όταν υπάρχει κίνδυνος κεραυνού.

Οδηγίες ασφαλείας για τη λειτουργία



ΠΡΟΕΙΔΟΠΟΙΗΣΗ: Προτού χρησιμοποιήσετε το προϊόν, διαβάστε τις παρακάτω προειδοποιητικές οδηγίες.

- Ο διακόπτης διακοπής λειτουργίας επανέρχεται αυτόματα στη θέση εκκίνησης. Φροντίστε να λαμβάνετε μέτρα που εμποδίζουν την ακούσια εκκίνηση κατά τη συναρμολόγηση, τον έλεγχο ή/και την εκτέλεση της συντήρησης. Εάν διαθέτετε ένα βενζινοκίνητο προϊόν, αποσυνδέστε το κατάκι του μπουζί από το μπουζί. Εάν διαθέτετε ένα προϊόν που λειτουργεί με μπαταρία, αφαιρέστε την μπαταρία.
- Να προσέχετε τυχόν αντικείμενα που εκτοξεύονται. Φοράτε πάντοτε προστατευτικά γυαλιά. Μη σκύβετε ποτέ επάνω από τον αραιωτήρα βρύουν. Υπάρχει κίνδυνος να εκτοξευθούν πέτρες, σκουπίδια, κλπ. στα μάτια σας προκαλώντας τύφλωση ή σοβαρό τραυματισμό.
- Τα γρανάζια μπορεί να ζεσταθούν πολύ κατά τη χρήση και ενδέχεται να παραμείνουν σε αυτή την κατάσταση για σύντομο διάστημα μετά τη χρήση. Υπάρχει κίνδυνος εγκαυμάτων σε περίπτωση επαφής.
- Παρόλο που τα τύμπανα της βούρτσας δεν έχουν την ίδια δύναμη με τις λεπίδες ενός

χλοσκοπτικού γκαζόν, για παράδειγμα, θα πρέπει να αποφεύγετε να εργάζεστε με υλικά που μπορούν να προκαλέσουν προσωπικό τραυματισμό ή υλικές ζημιές εάν εκτοξευθούν.

- Μην χρησιμοποιείτε το μηχάνημα παρά μόνο όταν έχετε τη δυνατότητα να καλέσετε σε βοήθεια σε περίπτωση ατυχήματος.
- Το μηχάνημα πρέπει να χρησιμοποιείται μόνο για το σκοπό για τον οποίο προορίζεται.
- Μην χρησιμοποιείτε ποτέ το μηχάνημα αν είστε κουρασμένοι, έχετε καταναλώσει αλκοόλ ή παίρνετε φάρμακα που μπορεί να επηρεάσουν την όραση, την κρίση ή τον συντονισμό σας.
- Μην χρησιμοποιείτε ποτέ το μηχάνημα σε ακραίες καιρικές συνθήκες, π.χ. σε δριμύ ψύχος ή σε πολύ θερμά ή/και υγρά κλίματα.
- Μην χρησιμοποιείτε ποτέ το μηχάνημα εάν παρουσιάζει πρόβλημα. Εκκλείτε όλους τους ελέγχους ασφαλείας και τηρείτε τις οδηγίες συντήρησης και επισκευής που αναφέρονται στο παρόν εγχειρίδιο. Μερικά μέτρα συντήρησης και επισκευής πρέπει να εκτελούνται από εκπαιδευμένο και ειδικευμένο προσωπικό. Δείτε τις οδηγίες στην ενότητα με τίτλο Συντήρηση.
- Μην επιτρέπετε ποτέ σε παιδιά να χρησιμοποιούν το μηχάνημα.
- Μην επιτρέπετε ποτέ σε άλλα άτομα να χρησιμοποιήσουν το μηχάνημα, αν δεν έχετε προηγουμένως βεβαιωθεί ότι έχουν κατανοήσει το περιεχόμενο του εγχειριδίου χρήσης.
- Μην αφήνετε να πλησιάσουν μη εξουσιοδοτημένα άτομα. Παιδιά, ζώα, παριστάμενα άτομα και βοηθοί θα πρέπει να παραμένουν εκτός της ζώνης ασφαλείας των 15 μέτρων κατά τη διάρκεια της εργασίας. Εάν κάποιο άτομο πλησιάσει, σταματήστε αμέσως το μηχάνημα.
- Εάν προκύψει μια κατάσταση όπου δεν είστε σίγουροι για το πώς πρέπει να προχωρήσετε, θα πρέπει να ζητήσετε τη συμβουλή ειδικού. Επικοινωνήστε με τον αντιπρόσωπο ή το συνεργείο σας.
- Αποφεύγετε τις καταστάσεις χρήσης, τις οποίες θεωρείτε πέραν των δυνατοτήτων σας.
- Πρέπει να παρακολουθείτε τον περιβάλλοντα χώρο και να βεβαιώνετε ότι δεν υπάρχουν άνθρωποι ή ζώα που μπορεί να έρθουν σε επαφή με το προϊόν ή να επηρεάσουν τον τρόπο που το ελέγχετε.
- Επιδείξτε προσοχή στην ακρόαση προειδοποιητικών σημάτων ή κραυγών κατά τη χρήση προστατευτικών ακοής. Αφαιρείτε πάντα τα προστατευτικά ακοής μόλις σβήσει ο κινητήρας/το μοτέρ.
- Μην χρησιμοποιείτε το μηχάνημα όταν ο καιρός δεν είναι καλός, π.χ. σε περίπτωση πυκνής ομίχλης, δυνατής βροχής, ισχυρών ανέμων, έντονου ψύχους κ.λπ. Η εργασία με άσχημες καιρικές συνθήκες είναι κουραστική και συχνά συνεπάγεται πρόσθετους κινδύνους, όπως παγωμένο έδαφος.
- Βεβαιωθείτε ότι μπορείτε να κινηθείτε και να σταθείτε όρθιοι με ασφάλεια. Ελέγξτε την περιοχή γύρω

σας για πιθανά εμπόδια (ρίζες, βράχια, κλαδιά, χαντάκια κ.λπ.) σε περίπτωση που χρειαστεί να μετακινηθείτε ξαφνικά. Να είστε ιδιαίτερα προσεκτικοί όταν εργάζεστε σε έδαφος με κλίση.



- Πρέπει να σβήνετε τον κινητήρα/το μοτέρ πριν από οποιοδήποτε μετακίνηση.
- Μην τοποθετείτε ποτέ το μηχάνημα κάτω όταν ο κινητήρας/το μοτέρ είναι σε λειτουργία, παρά μόνο αν είστε σε θέση να το παρακολουθείτε καλά.
- Πρέπει πάντα να κρατάτε το μηχάνημα και με τα δύο χέρια. Φροντίστε να κρατάτε το μηχάνημα πλάι στο σώμα σας.
- Βεβαιωθείτε ότι τα χέρια και τα πόδια σας δεν πλησιάζουν στον αραιωτήρα βρύων όταν βρίσκεται σε λειτουργία.
- Όταν σβήνετε τον κινητήρα/το μοτέρ, δεν πρέπει να πλησιάζετε τα χέρια και τα πόδια σας στον αραιωτήρα βρύων μέχρι να ακινητοποιηθεί πλήρως.
- Σε περίπτωση ισχυρών κραδασμών, διακόψτε τη λειτουργία του μηχανήματος. Εάν διαθέτετε ένα βενζινοκίνητο προϊόν, απουσνδέστε το καλώδιο ΥΤ από το μπουζί. Εάν διαθέτετε ένα προϊόν που λειτουργεί με μπαταρία, αφαιρέστε την μπαταρία από το προϊόν. Βεβαιωθείτε ότι το μηχάνημα δεν έχει υποστεί ζημιά. Επιδιορθώστε τυχόν ζημιές.

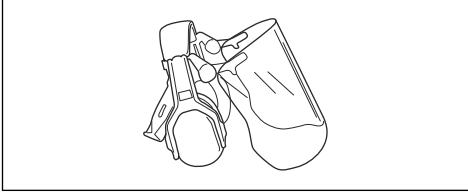
Προσωπικός εξοπλισμός προστασίας



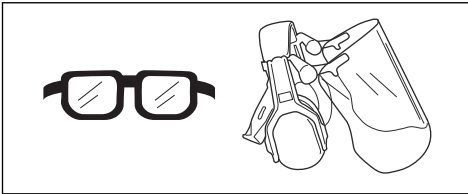
ΠΡΟΕΙΔΟΠΟΙΗΣΗ: Προτού χρησιμοποιήσετε το προϊόν, διαβάστε τις παρακάτω προειδοποιητικές οδηγίες.

- Όταν χρησιμοποιείτε το προϊόν, να φοράτε πάντα εγκεκριμένο προσωπικό εξοπλισμό προστασίας. Ο προσωπικός εξοπλισμός προστασίας δεν μπορεί να εξαλείψει τον κίνδυνο τραυματισμών, ωστόσο μειώνει τη σοβαρότητά τους σε περίπτωση ατυχήματος. Ο αντιπρόσωπος θα σας βοηθήσει να επιλέξετε το σωστό εξοπλισμό.
- Να χρησιμοποιείτε εγκεκριμένα προστατευτικά ακοής που παρέχουν επαρκή μείωση θορύβου.

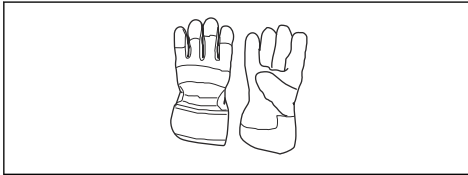
Η μακροχρόνια έκθεση στο θόρυβο μπορεί να προκαλέσει μόνιμη βλάβη στην ακοή.



- Χρησιμοποιείτε εγκεκριμένη προστασία των ματιών. Εάν χρησιμοποιείτε προστατευτικό γείσο, πρέπει επίσης να χρησιμοποιείτε πάντα εγκεκριμένα προστατευτικά γυαλιά. Τα εγκεκριμένα προστατευτικά γυαλιά πρέπει να συμμορφώνονται με το πρότυπο ANSI Z87.1 στις Η.Π.Α. ή το πρότυπο EN 166 στις χώρες της Ε.Ε.



- Όταν χρειάζεται, να χρησιμοποιείτε γάντια, για παράδειγμα κατά την τοποθέτηση, την επιθεώρηση ή τον καθαρισμό του εξοπλισμού κοπής.



- Να χρησιμοποιείτε μπότες προστασίας με ενίσχυση στα δάχτυλα και αντιολισθητικές σόλες.



- Να φοράτε ρούχα από ανθεκτικό ύφασμα. Να φοράτε πάντα ανθεκτικό μακρύ παντελόνι και μακριά μανίκια. Να μην φοράτε φαρδιά ρούχα που μπορεί να πιαστούν σε κλωνάρια και κλαδιά. Να μην φοράτε κοσμήματα, κοντά παντελόνια, σανδάλια και να μην είστε ξυπόλυτοι. Να δένετε τα μαλλιά σας με ασφάλεια πάνω από το ύψος των ώμων.

- Να φροντίζετε να υπάρχει εξοπλισμός πρώτων βοηθειών σε κοντινή απόσταση.



Συσκευές ασφαλείας στο παρελκόμενο



ΠΡΟΕΙΔΟΠΟΙΗΣΗ: Προτού χρησιμοποιήσετε το προϊόν, διαβάστε τις παρακάτω προειδοποιητικές οδηγίες.

Σε αυτήν την ενότητα περιγράφονται τα χαρακτηριστικά ασφαλείας του παρελκόμενου, ο σκοπός για τον οποίο προορίζεται και ο τρόπος διεξαγωγής των ελέγχων και της συντήρησης προκειμένου να εξασφαλίζεται η σωστή λειτουργία του. Διαβάστε τις οδηγίες κάτω από την επικεφαλίδα *Επισκόπηση παρελκόμενου στη σελίδα 53* για να μάθετε πού βρίσκονται αυτά τα εξαρτήματα στο παρελκόμενο.

Αν η συντήρηση δεν εκτελείται σωστά και αν το σέρβις ή/και οι επισκευές δεν εκτελούνται με επαγγελματικό τρόπο, μπορεί να μειωθεί η διάρκεια ζωής του παρελκόμενου και να αυξηθεί ο κίνδυνος ατυχημάτων. Εάν χρειαστείτε περισσότερες πληροφορίες, επικοινωνήστε με τον πλησιέστερο αντιπρόσωπο σέρβις.



ΠΡΟΕΙΔΟΠΟΙΗΣΗ: Μην χρησιμοποιείτε ποτέ ένα παρελκόμενο με ελαττωματικά εξαρτήματα ασφαλείας. Ο εξοπλισμός ασφαλείας του παρελκόμενου πρέπει να επιθεωρείται και να συντηρείται όπως περιγράφεται σε αυτήν την ενότητα. Εάν δεν εκτελεστεί με επιτυχία οποιοσδήποτε από αυτούς τους ελέγχους στο παρελκόμενο, επικοινωνήστε με τον αντιπρόσωπο σέρβις για επισκευή.



ΠΡΟΕΙΔΟΠΟΙΗΣΗ: Για όλες τις εργασίες σέρβις και επισκευής στο προϊόν απαιτείται ειδική εκπαίδευση. Αυτό ισχύει ιδιαίτερα για τον εξοπλισμό ασφαλείας του προϊόντος. Εάν το προϊόν δεν ολοκληρώσει επιτυχώς οποιοδήποτε από τους ελέγχους που περιγράφονται παρακάτω, πρέπει να επικοινωνήσετε με τον αντιπρόσωπο σέρβις. Όταν αγοράζετε οποιοδήποτε από τα προϊόντα μας, εγγυώμαστε τη διαθεσιμότητα επαγγελματικών επισκευών και σέρβις. Εάν το κατάστημα λιανικής πώλησης απ' όπου προμηθευτήκατε το προϊόν δεν είναι αντιπρόσωπος σέρβις, ζητήστε από το κατάστημα τη διεύθυνση του πλησιέστερου αντιπροσώπου σέρβις.

Οδηγίες ασφαλείας για τη συντήρηση



ΠΡΟΕΙΔΟΠΟΙΗΣΗ: Προτού εκτελέσετε εργασίες συντήρησης, διαβάστε τις παρακάτω προειδοποιητικές οδηγίες.

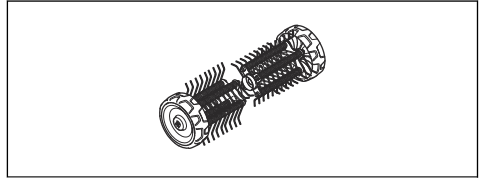


ΠΡΟΕΙΔΟΠΟΙΗΣΗ: Πρέπει πάντα να διακόπτετε τη λειτουργία του προϊόντος προτού εκτελέσετε εργασίες συντήρησης στο παρελκόμενο. Πρέπει να προσέχετε γιατί το παρελκόμενο μπορεί να συνεχίσει να κινείται ακόμα και αφού διακοπεί η παροχή ρεύματος/απελευθερωθεί η σκανδάλη γκαζιού. Βεβαιωθείτε ότι το παρελκόμενο έχει σταματήσει εντελώς. Εάν διαθέτετε ένα βενζινοκίνητο προϊόν, αποσυνδέστε το καλώδιο ΥΤ από το μπουζί. Εάν διαθέτετε ένα προϊόν που λειτουργεί με μπαταρία, αφαιρέστε την μπαταρία.



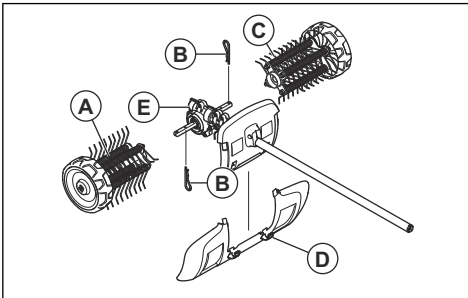
ΠΡΟΕΙΔΟΠΟΙΗΣΗ: Πρέπει πάντα να χρησιμοποιείτε προστατευτικά γάντια.

- Ελέγξτε ολόκληρο το προϊόν προτού ξεκινήσετε οποιαδήποτε εργασία. Ελέγξτε ότι όλα τα προστατευτικά και τα καλύμματα είναι ακέραια και καλά στερεωμένα. Ελέγξτε όλα τα παξιμάδια και τις βίδες.
- Εάν διαθέτετε ένα βενζινοκίνητο προϊόν, ελέγξτε ότι δεν υπάρχουν διαρροές καυσίμου.
- Αντικαταστήστε τα μέρη που έχουν υποστεί βλάβη.



Συναρμολόγηση

Συναρμολόγηση του παρελκόμενου

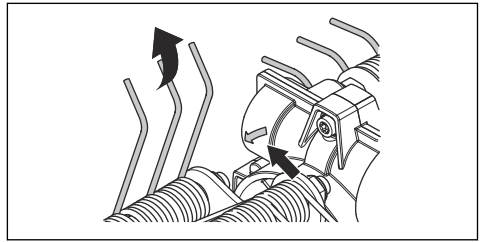


Το βέλος στο περίβλημα γραναζιών υποδεικνύει την κατεύθυνση περιστροφής. Το περίβλημα γραναζιών πρέπει να τοποθετείται όπως απεικονίζεται.

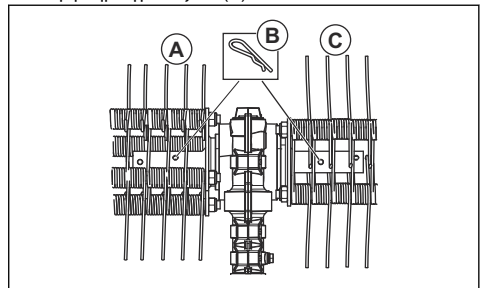
ΣΗΜΑΝΤΙΚΟ:

Οι κύλινδροι του αραιωτήρα βρύνων φέρουν σήμανση με βέλη που δείχνουν την κατεύθυνση της περιστροφής. Βεβαιωθείτε ότι οι κύλινδροι του αραιωτήρα βρύνων είναι σωστά τοποθετημένοι.

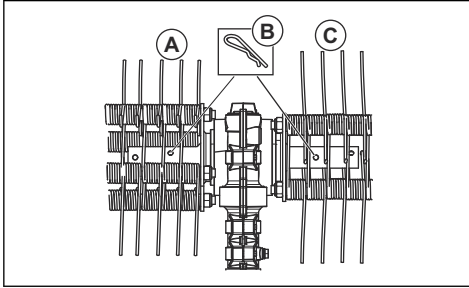
Οι κύλινδροι του αραιωτήρα βρύνων πρέπει να είναι τοποθετημένοι με μικρή απόκλιση μεταξύ τους. Τα ελατήρια του αραιωτήρα βρύνων θα πρέπει να δείχνουν στην ίδια κατεύθυνση με το βέλος κατεύθυνσης περιστροφής που υπάρχει στο περίβλημα γραναζιών.



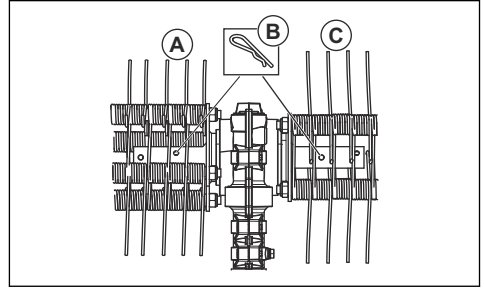
1. Πιέστε τον αριστερό αραιωτήρα βρύνων (A) πάνω στον αριστερό άξονα μετάδοσης κίνησης από το περίβλημα γραναζιών (E).



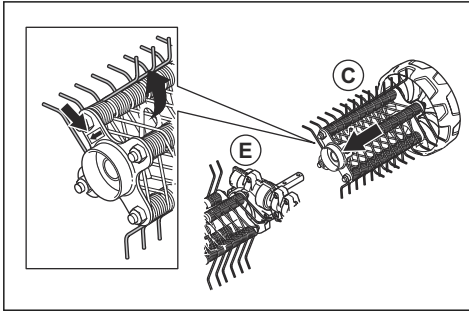
- Στερεώστε τον κύλινδρο του αραιωτήρα βρύνων με το διχαλωτό πείρο (B) στην εσωτερική οπή του άξονα.



- Στερεώστε τον κύλινδρο του αραιωτήρα βρύνων με το διχαλωτό πείρο (B) στην εσωτερική οπή του άξονα.



- Πιέστε το δεξιό αραιωτήρα βρύνων (Γ) πάνω στο δεξιό άξονα μετάδοσης κίνησης από το περίβλημα γραναζιών (E).



- Τοποθετήστε το λασπωτήρα με τους σφιγκτήρες ασφάλισης (Δ).

Περιεχόμενα Για τη συναρμολόγηση εξαρτημάτων στο βασικό προϊόν, ανατρέξτε στο εγχειρίδιο χρήσης του βασικού προϊόντος.

Λειτουργία

Για να ξεκινήσετε το προϊόν με κρύο κινητήρα

Αν το προϊόν που διαθέτετε είναι βενζινοκίνητο, ακολουθήστε τις παρακάτω οδηγίες για την εκκίνηση με κρύο κινητήρα.

- Αφήστε το βασικό προϊόν να λειτουργήσει για να ζεσταθεί και μετά απενεργοποιήστε το.
- Τοποθετήστε το παρελκόμενο σύμφωνα με τις οδηγίες συναρμολόγησης.
- Κατά τη ρύθμιση του καρμπυρατέρ, βεβαιωθείτε ότι ο αραιωτήρας ακουμπά στο έδαφος και ότι δεν βρίσκονται άλλα άτομα σε κοντινή απόσταση.
- Κρατήστε τον αραιωτήρα βρύνων στο ρελαντί.
- Βεβαιωθείτε ότι η χειρολαβή και οι διατάξεις ασφαλείας είναι σε καλή κατάσταση λειτουργίας. Μην χρησιμοποιείτε ποτέ ένα προϊόν του οποίου λείπει κάποιο εξάρτημα ή το οποίο έχει τροποποιηθεί εκτός των προδιαγραφών του.

Χρήση του παρελκόμενου

- Θέστε σε λειτουργία τον αραιωτήρα βρύνων με όλο το γκάτζι (ή σχεδόν όλο) με τους τροχούς πάνω στην επιφάνεια.

Περιεχόμενα Είναι κουραστικό αλλά και άχρηστο να σηκώνετε ή να κρατάτε τον αραιωτήρα βρύνων πάνω από την επιφάνεια κατά την εργασία.

- Διατηρήστε μικρή γωνία εργασίας με την επιφάνεια. Αν η γωνία εργασίας είναι πολύ μεγάλη, ο αραιωτήρας βρύνων τείνει να κινείται προς το μέρος σας και υπάρχει κίνδυνος να χάσετε τον έλεγχο του προϊόντος.



Συντήρηση

Εισαγωγή

Παρακάτω θα βρείτε ορισμένες γενικές οδηγίες συντήρησης. Εάν χρειαστείτε περισσότερες πληροφορίες, μπορείτε να επικοινωνήσετε με το συνεργείο της περιοχής σας.

Συντήρηση του προσαρτήματος



ΠΡΟΣΟΧΗ: Η εργασία με τον αραιωτήρα βρύων γίνεται συχνά σε συνθήκες πολλής σκόνης. Εάν διαθέτετε ένα βενζινοκίνητο προϊόν, είναι πολύ σημαντικό να επιθεωρείτε τακτικά, ακόμα και καθημερινά, το φίλτρο αέρα και να το λαδώνετε προκειμένου να λειτουργεί σωστά.

Για οδηγίες συντήρησης, ανατρέξτε στο εγχειρίδιο χρήσης της μονάδας παροχής ισχύος.

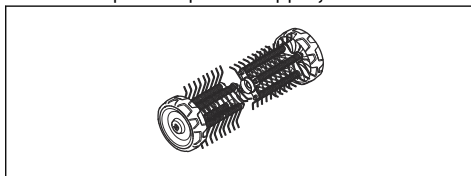


ΠΡΟΕΙΔΟΠΟΙΗΣΗ: Όταν εκτελείτε συντήρηση στο παρελκόμενο, πρέπει πάντα να φοράτε προστατευτικά γάντια.



ΠΡΟΕΙΔΟΠΟΙΗΣΗ: Το περίβλημα γραναζιών θερμαίνεται πολύ μετά τη χρήση του προϊόντος. Για να αποφύγετε τυχόν έγκαυμα, μην αγγίζετε το περίβλημα των γραναζιών.

1. Βεβαιωθείτε ότι ο αραιωτήρας βρύων δεν περιστρέφεται όταν διακόπτεται η παροχή ρεύματος/απελευθερώνεται η σκανδάλη γκαζιού.



2. Καθαρίστε τους τροχούς αν δεν περιστρέφονται ελεύθερα.

Μεταφορά, αποθήκευση και απόρριψη

Μεταφορά και αποθήκευση

Σε περίπτωση μεταφοράς του παρελκόμενου σε άλλο όχημα, χρησιμοποιείτε πάντα τις εγκεκριμένες συσκευές ασφαλείας και βεβαιωθείτε ότι το παρελκόμενο συγκρατείται με ασφάλεια.

Πριν να αποθηκεύσετε το παρελκόμενο για μεγάλο χρονικό διάστημα, βεβαιωθείτε ότι είναι καθαρό και ότι έχει συντηρηθεί πλήρως.

Τεχνικά στοιχεία

Τεχνικά στοιχεία για τα προϊόντα με βενζινοκίνητηρα

Αραιωτήρας βρύων	DT600
Πλάτος, mm	556
Βάρος	
Βάρος, κιλά	6,5
Εκπομπές θορύβου ³¹	

³¹ Μέτρηση σε συνδυασμό με εγκεκριμένα αξεσουάρ της Husqvarna. Οι εκπομπές θορύβου στο περιβάλλον, οι οποίες μετρούνται ως ηχητική ισχύς (L_{WA}), σε συμμόρφωση με την Οδηγία 2000/14/EK. Η καταγεγραμμένη στάθμη ηχητικής ισχύος για το μηχανήμα έχει μετρηθεί με το αυθεντικό παρελκόμενο κοπής, που δίνει την υψηλότερη στάθμη. Η διαφορά μεταξύ της εγγυημένης και της μετρούμενης ηχητικής ισχύος είναι ότι η εγγυημένη ηχητική ισχύς περιλαμβάνει επίσης τη διασπορά στο αποτέλεσμα της μέτρησης και τις αποκλίσεις μεταξύ των διαφορετικών μηχανημάτων του ίδιου μοντέλου σύμφωνα με την Οδηγία 2000/14/EK.

Αραιωτήρας βρύνων	DT600
Στάθμη ηχητικής ισχύος, μετρούμενη τιμή σε dB (A)	105
Στάθμη ηχητικής ισχύος, εγγυημένη, L_{WA} σε dB (A)	109
Επίπεδα θορύβου ³²	
Ισοδύναμη στάθμη ηχητικής πίεσης στα αυτιά του χειριστή, μετρημένη κατά EN ISO 22868, dB (A):	95
Κραδασμοί ³³	
Αντίστοιχα επίπεδα κραδασμών ($a_{hv,eq}$) στις χειρολαβές, μετρημένα κατά EN ISO 22867, m/s^2	
Μπροστινές/πίσω λαβές	6,2/4,3

Τεχνικά στοιχεία για τα προϊόντα που λειτουργούν με μπαταρία

325iLK + παρελκόμενος αραιωτήρας DT600	
Πλάτος, mm	556
Βάρος	
Βάρος, κιλά	2,3+6,5
Εκπομπές θορύβου ³⁴	
Στάθμη ηχητικής ισχύος, μετρούμενη τιμή σε dB (A)	89
Επίπεδα θορύβου ³⁵	
Στάθμη ηχητικής πίεσης στα αυτιά του χειριστή, μετρημένη κατά EN ISO 22868, dB (A):	77
Κραδασμοί ³⁶	
Στάθμες κραδασμών στις λαβές, μετρημένες κατά EN 62841-1, σε m/s^2	
Εμπρόσθιες/οπίσθιες χειρολαβές	1,9/2,6
Εξοπλισμένο με εγκεκριμένο εξάρτημα (αυθεντικό), αριστερά/δεξιά	1,9/2,6

³² Μέτρηση σε συνδυασμό με εγκεκριμένα αξεσουάρ της Husqvarna. Τα καταγεγραμμένα στοιχεία για την αντίστοιχη στάθμη ηχητικής πίεσης για το μηχάνημα έχουν μια τυπική στατιστική διασπορά (τυπική απόκλιση) της τάξης του 1 dB (A).

³³ Μέτρηση σε συνδυασμό με εγκεκριμένα αξεσουάρ της Husqvarna. Τα καταγεγραμμένα στοιχεία για την ισοδύναμη στάθμη κραδασμών έχουν τυπική στατιστική διασπορά (τυπική απόκλιση) ίση με 1 m/s^2 .

³⁴ Τα καταγεγραμμένα στοιχεία για τη στάθμη ηχητικής ισχύος του μηχανήματος παρουσιάζουν τυπική στατιστική διασπορά (τυπική απόκλιση) 3 dB (A). Η μέτρηση έχει γίνει με το αρχικό παρελκόμενο, το οποίο παρέχει την υψηλότερη στάθμη.

³⁵ Τα καταγεγραμμένα στοιχεία για τη στάθμη ηχητικής πίεσης του μηχανήματος παρουσιάζουν τυπική στατιστική διασπορά (τυπική απόκλιση) 3 dB (A). Η μέτρηση έχει γίνει με το αρχικό παρελκόμενο, το οποίο παρέχει την υψηλότερη στάθμη.

³⁶ Τα καταγεγραμμένα στοιχεία για τη στάθμη κραδασμών έχουν μία τυπική στατιστική διασπορά (τυπική απόκλιση) της τάξης του 2 m/s^2 . Για σύγκριση της στάθμης κραδασμών στα προϊόντα με μπαταρία και με κινητήρα εσωτερικής καύσης, χρησιμοποιήστε τη σελίδα υπολογισμού κραδασμών στη διεύθυνση <https://www.husqvarna.com/uk/services-solutions/vibration-calculator/>.

Δήλωση συμμόρφωσης

Δήλωση συμμόρφωσης ΕΕ

Εμείς, η **Husqvarna AB**, SE-561 82 Huskvarna, Σουηδία,
τηλ.: +46-36-146500, δηλώνουμε με αποκλειστική μας
ευθύνη ότι το προϊόν:

Περιγραφή	Αραιωτήρας βρύων
Μάρκα	Husqvarna
Τύπος / Μοντέλο	DT600
Αναγνώριση	Αριθμοί σειράς με ημερομηνία από το 2022 και έπειτα

συμμορφώνεται πλήρως με τις ακόλουθες οδηγίες και
τους κανονισμούς της ΕΕ:

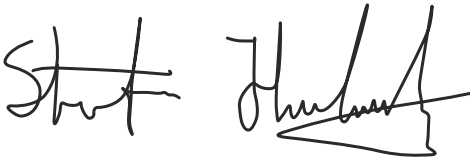
Οδηγία/Κανονισμός	Περιγραφή
2006/42/EK	"σχετικά με τα μηχανήματα"
2000/14/EK	"σχετικά με τις εκπομπές θορύβου στο περιβάλλον"
2011/65/EE	"σχετικά με τον περιορισμό της χρήσης ορισμένων επικίνδυνων ουσιών σε είδη ηλεκτρικού και ηλεκτρονικού εξοπλισμού"

και ότι εφαρμόζονται τα παρακάτω πρότυπα ή/και
τεχνικές προδιαγραφές: EN ISO 12100:2010, EN IEC
63000:2018

Ο φορέας RISE SMP Svenska Maskinprovning
AB, Box 7035, SE-750 07 Uppsala, Sweden έχει
διεξαγάγει εξέταση εθελοντικού τύπου για λογαριασμό
της Husqvarna AB.

Αριθμός πιστοποιητικού: SEC/15/2411

Huskvarna , 2022-03-14



Stefan Holmberg, Διευθυντής Έρευνας και Ανάπτυξης,
Διαχείριση τεχνολογίας, Husqvarna AB

Υπεύθυνος για την τεχνική τεκμηρίωση



Contenido

Introducción.....	63	Mantenimiento.....	69
Seguridad.....	64	Transporte, almacenamiento y eliminación.....	70
Montaje.....	68	Datos técnicos.....	70
Funcionamiento.....	69	Declaración de conformidad.....	72

Introducción

Descripción del producto

Trabajamos constantemente para perfeccionar nuestros productos y nos reservamos, por lo tanto, el derecho a introducir modificaciones en la construcción y el diseño sin previo aviso.

Nota: El presente manual trata tanto las unidades de alimentación de gasolina como las de batería.

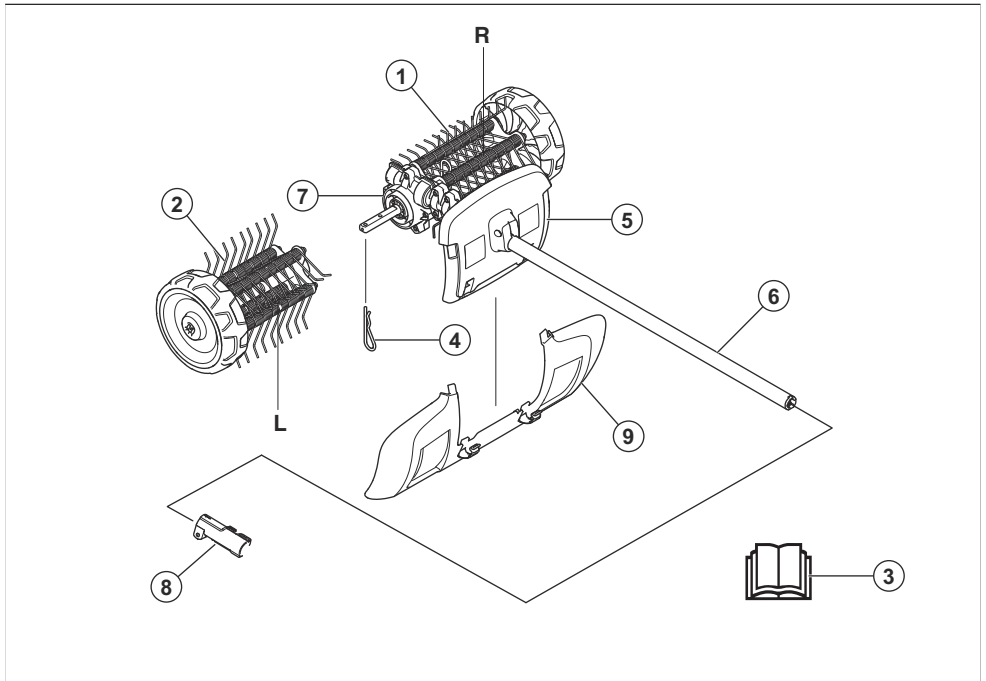
Uso previsto



ADVERTENCIA: Este accesorio solo puede utilizarse con el producto para el que está previsto; consulte el capítulo sobre accesorios del manual de usuario del producto.

El accesorio se ha diseñado únicamente para escarificar céspedes para eliminar el musgo.

Vista general del equipo



1. Sección derecha del escarificador de musgo
2. Sección izquierda del escarificador de musgo
3. Manual de usuario
4. Pasador partido
5. Protección (protección del tubo)
6. Tubo
7. Carcasa de la caja de engranajes
8. Acoplamiento del tubo (incluido con el producto)
9. Protección contra salpicaduras

Símbolos que aparecen en el accesorio y la unidad de alimentación



Un uso descuidado o incorrecto de este equipo puede provocar heridas graves o mortales al usuario o a otras personas.



Lea atentamente el manual de usuario y asegúrese de que entiende las instrucciones antes de utilizar el equipo.



Utilice protectores auriculares homologados. Utilice protección ocular homologada. Utilice una máscara protectora si existe riesgo de polvo.



Este equipo cumple con las directivas CE vigentes.



Este producto cumple con las directivas del Reino Unido vigentes.



Piezas giratorias. Mantenga alejados las manos y los pies. La flecha indica el sentido de rotación.



Utilice siempre guantes protectores homologados.



Utilice botas resistentes y antideslizantes.



Cuidado con los objetos que salen despedidos o rebotados.



El usuario debe asegurarse de que no haya personas ni animales a menos de 15 m. Si hubiera varios operarios trabajando en el mismo lugar, deben guardar entre ellos una distancia de seguridad de al menos 15 m. El equipo puede hacer que salgan despedidos objetos con mucha fuerza que pueden rebotar. Si no se utiliza el equipo de seguridad recomendado, se pueden producir daños oculares graves.



Mantenga siempre a las personas y animales a una distancia mínima de 15 m/50 pies mientras el producto está funcionando.



Mantenga todas las partes del cuerpo alejadas de las superficies calientes.



Etiqueta de emisiones sonoras al medio ambiente conforme con las directivas y normativas europeas y del Reino Unido, y con la regulación de 2017 sobre de protección del medioambiente (control de ruidos) (Protection of the Environment Operations - Noise Control) de la legislación de Nueva Gales del Sur. El nivel de potencia acústica garantizado del producto se especifica en el apartado *Datos técnicos en la página 70* y en la etiqueta.

Nota: Los demás símbolos o etiquetas que aparecen en el equipo corresponden a requisitos de homologación específicos en determinados mercados.

Seguridad

Definiciones de seguridad

Las advertencias, precauciones y notas se utilizan para destacar información especialmente importante del manual de usuario.



ADVERTENCIA: Indica un riesgo de lesiones o incluso de muerte del usuario o de las personas cercanas si no se respetan las instrucciones del manual.



PRECAUCIÓN: Indica un riesgo de daños en el producto o en el accesorio, otros materiales o el área adyacente si no se respetan las instrucciones del manual.

Nota: Se usa para proporcionar más información necesaria en una situación determinada.

Instrucciones generales de seguridad



ADVERTENCIA: Lea las siguientes instrucciones de seguridad antes de utilizar el equipo.

- Lea detenidamente el manual de instrucciones y asegúrese de entender su contenido antes de utilizar el equipo.
- Estas instrucciones complementan las instrucciones que se incluyen con el producto. Para otros procedimientos, consulte las instrucciones de operación del producto.
- Bajo ninguna circunstancia debe modificarse la configuración original del equipo sin autorización del fabricante. No utilice un equipo que parezca haber sido modificado por otras personas y emplee siempre accesorios originales. Las modificaciones y/o la utilización de accesorios no autorizadas pueden ocasionar accidentes graves o incluso la muerte del operario o de terceros.

Lea todas las instrucciones



ADVERTENCIA: Siempre que utilice máquinas eléctricas de jardinería, deberá adoptar precauciones básicas de seguridad para reducir el riesgo de incendio, descargas eléctricas, o lesiones personales, entre otras las siguientes:

Instrucciones de seguridad del esscarificador

- No permita jamás que los niños o personas con cualquier tipo de discapacidad física, sensorial o mental, sin experiencia o no familiarizadas con estas instrucciones utilicen este producto. La legislación local puede restringir la edad del operador.
- Nunca use el producto con personas, sobre todo niños, o mascotas cerca.
- No adopte posturas extrañas y mantenga el equilibrio en todo momento. Asegúrese siempre de afianzar bien los pies en pendientes y camine, nunca corra.
- No toque las piezas peligrosas en movimiento antes de haber desconectado la máquina de la red eléctrica y de que estas piezas se hayan detenido por completo.
- Lleve siempre calzado adecuado y pantalones largos mientras utiliza la máquina.
- Retire la batería del producto cuando lo deje desatendido, antes de despejar una obstrucción y antes de limpiar el producto o efectuar cualquier trabajo en él.
- Retire la batería del producto antes de examinar si presenta daños, por ejemplo, tras el impacto de un objeto extraño o si el producto empieza a vibrar de manera anómala.

- No conecte un cable dañado a la fuente de alimentación y no toque un cable que esté dañado hasta que no esté desconectado de la fuente de alimentación. Si algún cable estuviera dañado, podría exponer al contacto con componentes con corriente, lo que puede provocar lesiones o la muerte.
- No utilice nunca el producto si las protecciones están defectuosas, si carece de dispositivos de seguridad o si el cable está dañado o desgastado.
- Mantenga los cables de extensión alejados de piezas peligrosas en movimiento para evitar que puedan entrar en contacto con componentes con corriente.
- Conecte el producto únicamente a un circuito de alimentación protegido con un dispositivo de corriente residual (RCD) con una corriente de desconexión no superior a 30 mA.
- Evite utilizar el producto en malas condiciones meteorológicas, especialmente si hay riesgo de tormenta eléctrica.

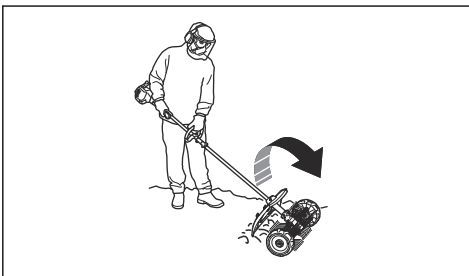
Instrucciones de seguridad para el funcionamiento



ADVERTENCIA: Lea las siguientes instrucciones de advertencia antes de utilizar el producto.

- El contacto de parada retorna automáticamente a la posición de arranque. Evite que el producto se encienda por accidente durante el montaje, la comprobación y las tareas de mantenimiento. Si posee un producto de gasolina, desconecte el sombrerete de bujía de la bujía. Si posee un producto con batería, extráigala.
- Cuidado con los objetos que salen despedidos. Protéjase siempre los ojos. No se incline nunca sobre el esscarificador de musgo. La máquina puede despedir piedras, basura, etc. contra los ojos y causar ceguera o heridas graves.
- Durante el uso y poco después, el engranaje puede estar caliente. El contacto con el mismo puede ocasionar quemaduras.
- Aunque los cepillos de metal no tienen tanta fuerza como, por ejemplo, las cuchillas de un cortacésped, evite trabajar con materiales que puedan causar daños personales o en la propiedad si sales despedidos.
- No use nunca una máquina si no tiene posibilidad de pedir auxilio si se produce un accidente.
- Utilice la máquina solamente para el uso al que está destinada.
- Nunca utilice la máquina si está cansado, si ha ingerido alcohol o si toma medicamentos que puedan afectar la vista, su capacidad de discernimiento o el control del cuerpo.

- Nunca utilice la máquina en condiciones atmosféricas extremas como frío intenso o clima muy caluroso y/o húmedo.
- No utilice nunca una máquina defectuosa. Lleve a cabo las comprobaciones de seguridad y siga las instrucciones de mantenimiento y servicio de este manual. Algunas medidas de mantenimiento y servicio deben ser efectuadas por especialistas formados y cualificados. Consulte las instrucciones del apartado Mantenimiento.
- No permita nunca que los niños utilicen la máquina.
- Nunca deje que otras personas utilicen la máquina sin asegurarse primero de que hayan leído y entendido el contenido de este manual de usuario.
- Mantenga alejados a los terceros. Los niños, animales, curiosos y ayudantes deben mantenerse fuera de la zona de seguridad de 15 metros durante el uso. Pare la máquina inmediatamente si alguien se acerca.
- Cuando se vea en una situación insegura para continuar el trabajo, debe consultar a un experto. Póngase en contacto con su distribuidor o taller de servicio.
- Evite todo uso para el cual no se sienta suficientemente calificado.
- Observe el entorno y asegúrese de que no haya personas o animales en riesgo de entrar en contacto con el equipo de corte o capaces de afectar a su control del producto.
- Cuando use protectores auriculares preste siempre atención a las señales o llamadas de advertencia. Quítense siempre los protectores auriculares en cuanto se detenga el motor.
- No trabaje en condiciones atmosféricas desfavorables como niebla densa, lluvia intensa, vientos fuertes, frío intenso, etc. Trabajar con mal tiempo es extenuante y puede crear situaciones peligrosas como, por ejemplo, terrenos resbaladizos.
- Compruebe que pueda caminar y mantenerse de pie con seguridad. Vea si hay eventuales impedimentos para desplazamientos imprevistos (raíces, piedras, ramas, fosos, zanjas, etc.). Proceda con sumo cuidado al trabajar en terreno inclinado.



- Debe parar el motor antes de desplazar la máquina.
- No baje nunca la máquina con el motor en marcha sin tenerla a la vista.

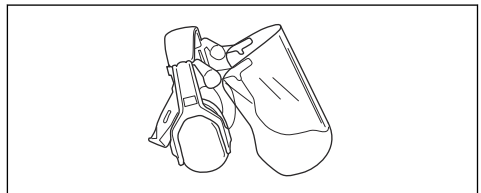
- Utilice siempre las dos manos para sostener la máquina. Mantenga la máquina al costado de su cuerpo.
- Cerciórese de mantener las manos y los pies alejados del escarificador de musgo mientras permanezca en marcha.
- Al apagar el motor, mantenga las manos y los pies alejados del escarificador de musgo hasta que se haya detenido por completo.
- Si se producen vibraciones intensas, detenga la máquina. Si posee un producto con gasolina, desconecte el cable HT de la bujía. Si posee un producto con batería, extráigala del producto. Asegúrese de que la máquina no esté dañada. Repare posibles averías.

Equipo de protección personal

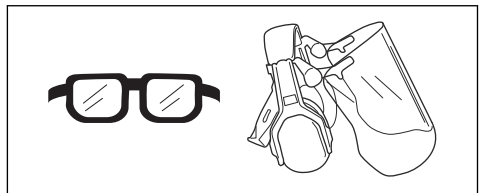


ADVERTENCIA: Lea las siguientes instrucciones de advertencia antes de utilizar el producto.

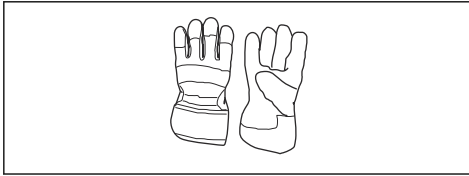
- Para trabajar con el producto, debe utilizar siempre un equipo de protección personal homologado. El equipo de protección personal no elimina completamente el riesgo de lesiones, pero reduce la gravedad de las lesiones en caso de accidente. Deje que el distribuidor le ayude a seleccionar el equipo adecuado.
- Use protectores auriculares homologados con suficiente capacidad de reducción sonora. La exposición prolongada al ruido puede causar daños crónicos en el oído.



- Utilice protección ocular homologada. Si se utiliza visor, deben utilizarse también gafas protectoras homologadas. Por gafas protectoras homologadas se entienden las que cumplen con la norma ANSI Z87.1 para EE. UU. o EN 166 para países de la UE.



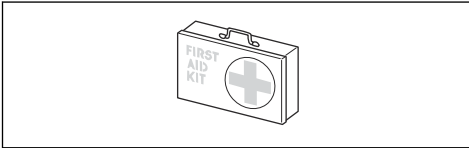
- Utilice guantes cuando sea necesario, por ejemplo, para el montaje, inspección o limpieza del equipo de corte.



- Use botas de protección con punteras de acero y suelas antideslizantes.



- Use indumentaria de material resistente. Use siempre pantalones largos y gruesos, y mangas largas. No lleve ropa suelta que pueda quedar atrapada en los arbustos y ramas. No trabaje con joyas, pantalones cortos, sandalias ni los pies descalzos. Recójase el pelo por encima de los hombros.
- Mantenga el equipo de primeros auxilios cerca.



Dispositivos de seguridad en el equipo



ADVERTENCIA: Lea las siguientes instrucciones de advertencia antes de utilizar el equipo.

En este capítulo, se describen los componentes de seguridad del equipo, su función y el modo de efectuar el control y el mantenimiento para garantizar un funcionamiento óptimo. Consulte las instrucciones bajo el título *Vista general del equipo en la página 63* para ver dónde están situados estos componentes en su equipo.

La vida útil del equipo puede acortarse y el riesgo de accidentes puede aumentar si el mantenimiento no se hace de forma adecuada y si los trabajos de servicio y reparación no se efectúan de forma profesional. Si necesita más información, solicítela al distribuidor de su zona



ADVERTENCIA: No emplee nunca un equipo con componentes de seguridad defectuosos. Efectúe la inspección y el mantenimiento de los componentes de

seguridad del equipo tal como se describe en este apartado. Si el equipo no supera cualquiera de estas pruebas, póngase en contacto con el taller de servicio para repararlo.



ADVERTENCIA: Todos los trabajos de servicio y reparación del producto requieren una formación especial. Esto es especialmente cierto en lo que respecta al equipo de seguridad del producto. Si el producto no pasa alguno de los controles indicados a continuación, acuda a su taller de servicio. La compra de alguno de nuestros productos le garantiza que puede recibir un mantenimiento y servicio profesional. Si no ha adquirido el producto en una de nuestras tiendas especializadas con servicio, solicite información sobre el taller de servicio más cercano.

Instrucciones de seguridad para el mantenimiento



ADVERTENCIA: Lea las instrucciones de advertencia siguientes antes de realizar el mantenimiento.



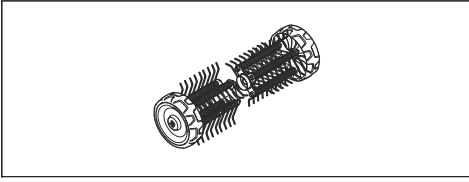
ADVERTENCIA: Detenga siempre el producto antes de realizar cualquier tarea de mantenimiento en el accesorio. Tenga cuidado, pues el accesorio puede seguir girando después de haber soltado el acelerador/gatillo de alimentación. Asegúrese de que el accesorio se haya detenido por completo. Si posee un producto con gasolina, desconecte el cable HT de la bujía. Si posee un producto con batería, extráigala.



ADVERTENCIA: Utilice siempre guantes protectores.

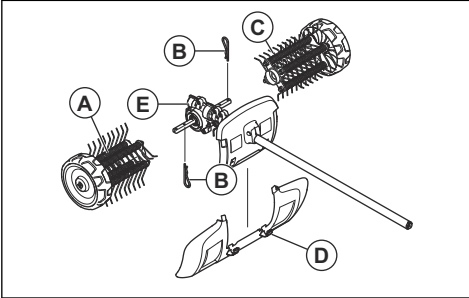
- Inspeccione el producto en su totalidad antes de iniciar el trabajo. Compruebe que todas las protecciones y cubiertas están completas y bien fijadas. Compruebe todas las tuercas y tornillos.
- Si posee un producto de gasolina, compruebe que no haya fugas de combustible.

- Sustituya las piezas dañadas.



Montaje

Montaje del accesorio

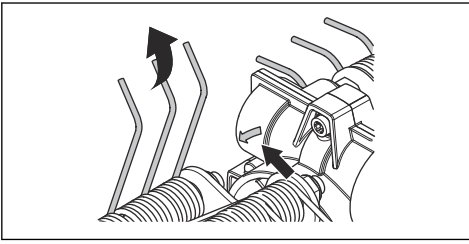


La flecha de la caja de engranajes indica el sentido de rotación. La caja de engranajes se debe colocar como se indica en la ilustración.

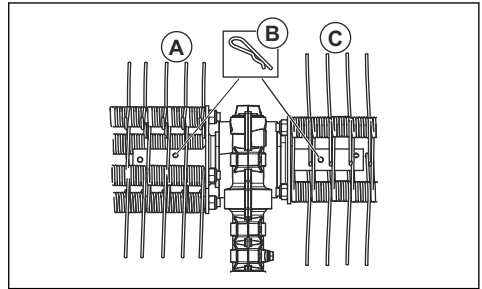
IMPORTANTE:

Los rodillos del escarificador están marcados con flechas que indican el sentido de rotación. Asegúrese de que los rodillos del escarificador están montados correctamente.

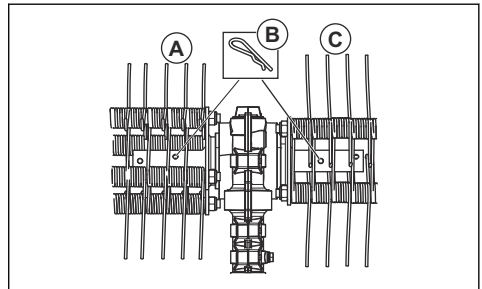
Los rodillos del escarificador de musgo deben montarse con una leve desviación entre ellos. Los muelles del escarificador de musgo deben estar orientados en el sentido que indica la flecha de sentido de rotación de la caja de engranajes.



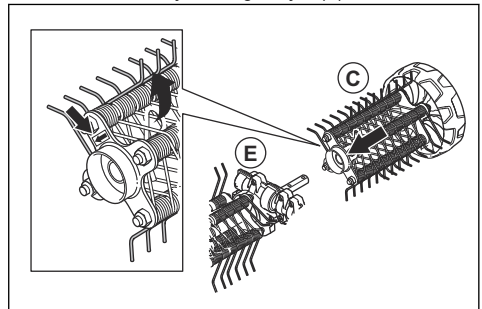
1. Empuje la sección izquierda del escarificador de musgo (A) para introducirla en el eje propulsor izquierdo de la caja de engranajes (E).



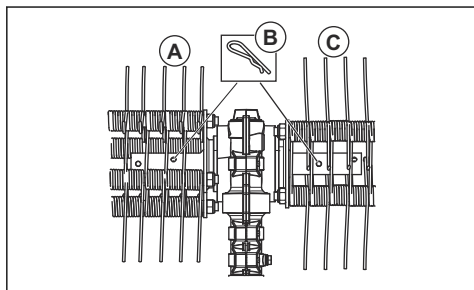
2. Fije el rodillo del escarificador de musgo colocando un pasador hendido (B) en el orificio interior del tubo.



3. Empuje la sección derecha del escarificador de musgo (C) para introducirla en el eje propulsor derecho de la caja de engranajes (E).



4. Fije el rodillo del escarificador de musgo colocando un pasador hendido (B) en el orificio interior del tubo.



5. Monte la protección contra salpicaduras con las fijaciones a presión (D).

Nota: Para montar los accesorios en el producto básico, consulte el manual del producto básico.

Funcionamiento

Arranque del producto con el motor frío

Si tiene un producto de gasolina, siga estas instrucciones para arrancar el producto si el motor está frío.

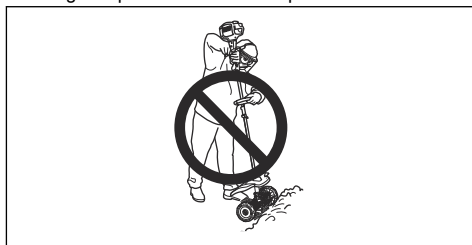
1. Ponga en marcha el producto básico para calentarlo y luego apáguelo.
2. Monte el accesorio según las instrucciones de montaje.
3. Al ajustar el carburador, asegúrese de que el escarificador esté apoyado en el suelo y de que no haya nadie más cerca.
4. Deje el escarificador de musgo a ralentí.
5. Controle que los mangos y las funciones de seguridad estén en buenas condiciones. No utilice nunca un producto al que le falte alguna pieza o que se haya modificado y no se ajuste a las especificaciones.

Uso del accesorio

1. Ponga en marcha el escarificador de musgo a aceleración máxima (o casi) con las ruedas apoyadas en el suelo.

Nota: Resulta muy pesado e innecesario levantar o sostener el escarificador de musgo por encima de la superficie durante su uso.

2. Trabaje en un ángulo agudo con respecto a la superficie. Un ángulo de trabajo demasiado abierto hace que el escarificador de musgo tienda a moverse hacia el usuario, por lo que se corre el riesgo de perder el control del producto.



Mantenimiento

Introducción

A continuación, se indican algunas instrucciones generales de mantenimiento. Si Ud. necesita mayor información póngase en contacto con el taller de servicio.

Mantenimiento del producto



PRECAUCIÓN: El escarificador de musgo suele usarse principalmente en entornos polvorientos. Si tiene un producto de gasolina, es muy importante revisar el

filtro de aire periódicamente, normalmente a diario, así como lubricarlo con aceite para que funcione correctamente.

Consulte el manual de usuario de la unidad de alimentación para conocer las instrucciones de mantenimiento.



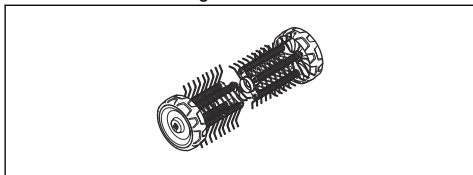
ADVERTENCIA: Utilice siempre guantes protectores cuando realice tareas de mantenimiento en el accesorio.



ADVERTENCIA: Después de trabajar con el producto, la caja de engranajes está caliente. No toque el engranaje para evitar quemaduras.

2. Limpie las ruedas si no giran libremente.

1. Compruebe que el escarificador de musgo no gira al soltar el acelerador/gatillo de alimentación.



Transporte, almacenamiento y eliminación

Transporte y almacenamiento

Si se transporta el equipo en otro vehículo, utilice siempre dispositivos de sujeción homologados y compruebe que el equipo está bien sujeto.

Antes del almacenaje prolongado, limpie bien el equipo y haga el servicio completo.

Datos técnicos

Datos técnicos de los productos de gasolina

Escarificador de musgo	DT600
Anchura, mm	556
Peso	
Peso, kg	6,5
Emisiones de ruido ³⁷	
Nivel de potencia acústica medida, dB(A)	105
Nivel de potencia acústica garantizado L _{WA} dB(A)	109
Niveles acústicos ³⁸	
Nivel de presión sonora equivalente en el oído del usuario, medido según EN ISO 22868, dB(A):	95
Vibraciones ³⁹	

³⁷ Medido con los accesorios homologados de Husqvarna. Emisiones sonoras en el entorno medidas como potencia acústica (L_{WA}) según la directiva 2000/14/CE. El nivel referido de potencia sonora de la máquina se ha medido con el equipo de corte original que produce el nivel más elevado. La diferencia entre la potencia sonora garantizada y medida es que la potencia sonora garantizada también incluye la dispersión en el resultado de la medición y las variaciones entre diferentes máquinas del mismo modelo, según la directiva 2000/14/CE.

³⁸ Medido con los accesorios homologados de Husqvarna. Los datos referidos al nivel de presión sonora equivalente de la máquina tienen una dispersión estadística típica (desviación típica) de 1 dB(A).

³⁹ Medido con los accesorios homologados de Husqvarna. Los datos referidos al nivel de vibración tienen una dispersión estadística habitual (desviación típica) de 1 m/s².

Escarificador de musgo	DT600
Niveles de vibración equivalentes ($a_{hv,eq}$) en las empuñaduras según EN ISO 22867, m/s^2	
Mango delantero/trasero	6,2/4,3

Datos técnicos de los productos con batería

325iLK + accesorio escarificador DT600	
Anchura, mm	556
Peso	
Peso, kg	2,3 + 6,5
Emisiones de ruido ⁴⁰	
Nivel de potencia acústica, dB(A) medidos	89
Niveles acústicos ⁴¹	
Nivel de presión sonora en el oído del usuario, medido conforme a EN ISO 22868, dB(A):	77
Vibraciones ⁴²	
Niveles de vibración en los mangos, medidos conforme a EN 62841-1, m/s^2	
Mango delantero/trasero	1,9/2,6
Equipado con accesorio homologado (original), izquierda/derecha	1,9/2,6

⁴⁰ Los datos relativos al nivel de potencia sonora de la máquina tienen una dispersión estadística habitual (desviación típica) de 3 dB(A) y se han medido con el accesorio original que produce el nivel más elevado.

⁴¹ Los datos relativos al nivel de presión sonora de la máquina tienen una dispersión estadística habitual (desviación típica) de 3 dB(A) y se han medido con el accesorio original que produce el nivel más elevado.

⁴² Los datos referidos del nivel de vibración presentan una dispersión estadística habitual (desviación típica) de 2 m/s^2 . Para comparar los niveles de vibraciones en los productos con batería y los productos de combustión, utilice la calculadora de vibraciones: <https://www.husqvarna.com/uk/services-solutions/vibration-calculator/>.

Declaración de conformidad

Declaración de conformidad CE

Nosotros, **Husqvarna AB**, SE-561 82 Huskvarna (Suecia), tel. +46-36-146500, declaramos bajo nuestra exclusiva responsabilidad que el producto:

Descripción	Escarificador
Marca	Husqvarna
Tipo/Modelo	DT600
Identificación	Números de serie a partir del año 2022

Cumple las siguientes directivas y normas de la UE:

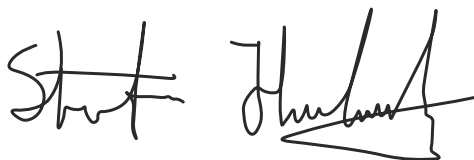
Directiva/Norma	Descripción
2006/42/CE	"relativa a las máquinas"
2000/14/CE	"relativa a las emisiones sonoras en el entorno"
2011/65/UE	"relativa a restricciones de utilización de determinadas sustancias peligrosas en aparatos eléctricos y electrónicos"

Y que se aplican las especificaciones técnicas o los estándares siguientes: EN ISO 12100:2010, EN IEC 63000:2018

RISE SMP Svenska Maskinprovning AB, Box 7035, SE-750 07 Uppsala, Sweden ha llevado a cabo un examen voluntario para Husqvarna AB.

Número de certificado: SEC/15/2411

Huskvarna , 2022-03-14



Stefan Holmberg, Director de I+D, Gestión de tecnología, Husqvarna AB

Responsable de la documentación técnica



Sisukord

Sissejuhatus.....	73	Hooldamine.....	79
Ohutus.....	74	Transportimine, hoiulepanek ja utiliseerimine.....	79
Kokkupanek.....	77	Tehnilised andmed.....	79
Töö.....	78	Vastavusdeklaratsioon.....	81

Sissejuhatus

Toote kirjeldus

Tegeleme pidevalt oma toodete edasiarendamisega ning seetõttu jätame endale õiguse muuta toodete disaini ja välimust ilma sellest ette teatamata.

Märkus: Selles juhendis käsitletakse nii bensiini- kui ka akutoitega jõuseadmeid.

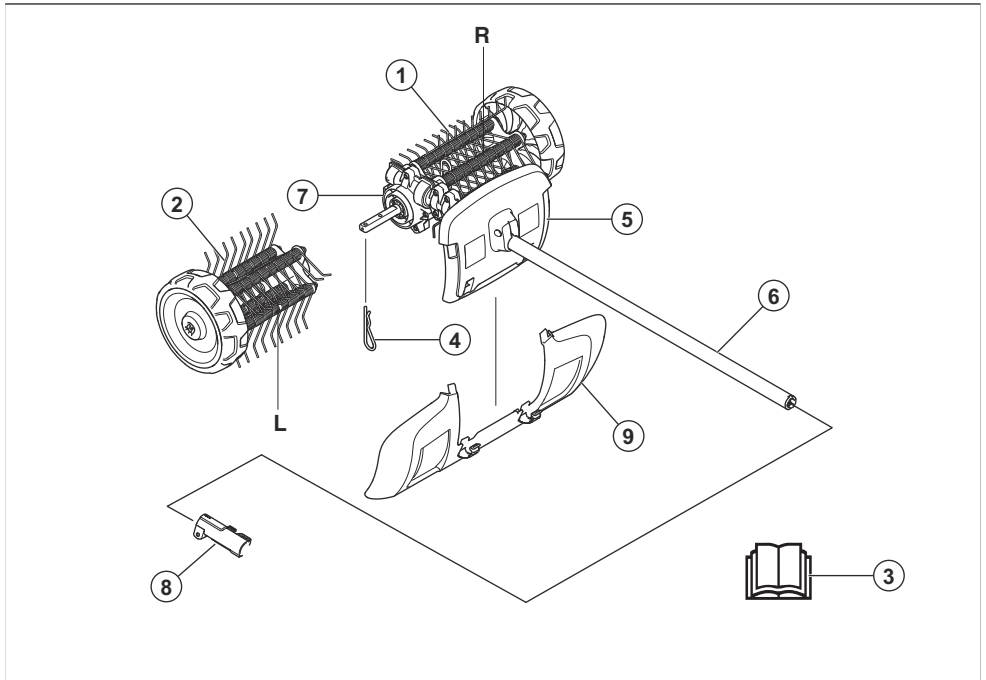
Kasutusotstarve



HOIATUS: Seda lisatarvikut võib kasutada ainult koos sellele sobiva tootega, vt lisatarviku peatükki toote kasutusjuhendis.

Lisatarvik on mõeldud murult sambla eemaldamiseks.

Lisatarviku ülevaade



1. Samblaeemaldi, parempoolne
2. Samblaeemaldi, vasakpoolne
3. Kasutusjuhend
4. Splint
5. Kaitse (kaitse varrel)
6. Vars
7. Ülekanne
8. Varre kinnitus
9. Pritsmekaitse

Lisatarvikul ja jõuseadmel olevad sümbolid



Selle lõikeosa hooletu või väär käsitlemine võib põhjustada operaatori või teiste isikute vigastuse või hukkumise.



Lugege enne lõikeosa kasutamist kasutusjuhend tähelepanelikult läbi ja veenduge, et oleksite juhistest aru saanud.



Kandke heakskiidetud kõrvaklappe. Kandke heakskiidetud kaitseprille. Tolmu tekkimise ohu korral kasutage hingamiskaitset.



See lõikeosa vastab EL-i kehtivatele direktiividele.



See toode vastab kehtivatele UK direktiividele.



Pöörlevad osad. Hoidke käed ja jalad eemal. Nool tähistab pöörlemissuunda.



Kasuta alati heakskiidetud kaitsekindaid.



Kandke tugevaid, mittelibisevaid saapaid.



Olge ettevaatlik - eemalepaiskuvad esemed ning tagasipõrkumise oht.



Kasutaja peab veenduma, et ühtegi inimest ega looma poleks lähemal kui 15 m. Kui samas töökohas töötab mitu kasutajat, kehtib kõigile ohutu vahemaa 15 m. Lõikeosa võib jõuliselt liigutada objekte, mis võivad tagasi põrkuda. Soovitusliku ohutusvarustuse mittekasutamisel võib see põhjustada tõsiseid silmavigastusi.



Hoidke seadme kasutamise ajal inimestest ja loomadest vähemalt 15 m kaugusele.



Hoidke kõik kehaosad kuumadest pindadest eemal.



Müraemissioonile viitav keskkonnasiit vastavalt ELi ja UK direktiividele ja määrustele ja Uus Lõuna-Walesi õigusaktile „Protection of the Environment Operations (Noise Control) Regulation 2017“. Toote garanteeritud helivõimsuse taseme andmed leiate jaotisest *Tehnilised andmed lk 79* ja sildil.

Märkus: Ülejäänud lõikeosal esitatud sümbolid/ tähised vastavad erinevates riikides kehtivatele sertifitseerimismõuetele.

Ohutus

Ohutuse määratlused

Mõistetega „hoiatus“, „ettevaatust“ ja „märkus“ juhitakse tähelepanu eriti olulistele kohtadele kasutusjuhendis.



HOIATUS: Tähistab kasutusjuhendi juhiste eiramise korral kasutaja või kõrvalseisjate kehavigastuse või surmaga lõppeva õnnetuse ohtu.



ETTEVAATUST: Tähistab kasutusjuhendi juhiste eiramise korral toote ja/või tarviku, muude esemete või läheduses asuvate objektide kahjustamise ohtu.

Märkus: Tähistab antud olukorras vajalikku lisateavet.

Üldised ohutuseeskirjad



HOIATUS: Enne lisatarviku kasutamist lugege läbi järgmised ohutuseeskirjad.

- Lugege enne lõikeosa kasutamist kasutusjuhend tähelepanelikult läbi ja veenduge, et oleksite juhiseid aru saanud.
- Need juhised täiendavad tootega kaasas olevaid juhiseid. Muude protseduuride osas kasutage palun toote kasutusjuhendeid.
- Lisatarviku algset konstruktsiooni ei tohi ilma tootja loata muuta. Ärge kasutage lisatarvikut, kui tundub, et teised on seda muutnud, ja kasutage alati originaalisavarustust. Lubamatud muudatused ja varuosad võivad põhjustada kasutaja ja teiste isikute raskeid või isegi eluohtlikke kehavigastusi.

Lugege läbi kõik juhised



HOIATUS: Kui kasutate elektrilisi aiaseadmeid, tuleb järgida alati põhilisi ohutusabinõusid, et vähendada tule-, elektrilöögi- ja tõsiste vigastuste ohtu, sh järgmisi.

Samblaeemaldi üldised ohutuseeskirjad

- Ärge kunagi lubage toodet kasutada lastel ega isikutel, kellel on vähenenud füüsilised, sensoorsed või vaimsed võimed või puudulikud teadmised ja kogemused või kes pole tutvunud nende juhistega. Kohalikud kehtivad eeskirjad võivad piirata kasutaja lubatud vanust.
- Ärge kasutage seadet, kui selle läheduses on inimesed (eriti lapsed) või lemmikloomad.
- Ärge küünitage liiga kaugele ja säilitage alati tasakaal. Kallakutel alati kindlalt püsimiseks ainult kõndige ja ärge kunagi jookske.
- Ärge puudutage liikuvaid ohtlikke osi enne, kui seade on vooluvõrgust lahutatud ja liikuvad ohtlikud osad on täielikult seiskunud.
- Seadmega töötamisel kandke alati tugevaid jalatseid ja pikki pükse.
- Eemaldage tootelt aku alati, kui see on järelevalveta, enne ummistuste kõrvaldamist ja enne toote puhastamist või selle hooldamist.
- Eemaldage tootelt aku enne toote kahjustuste kontrollimist, näiteks puutudes mõne võõrobjekti vastu või kui toote hakkab tavapratult vibreerima.
- Ärge ühendage kahjustatud juhet vooluvõrku ja ärge puudutage kahjustatud juhet enne, kui see on vooluvõrgust lahutatud. Kahjustatud juhtmete korral võite kokku puutuda pingestatud osadega aj see võib põhjustada kehavigastusi või surma.

- Ärge töötage tootega, millel on defektsed kaitsed/piirded, millel puuduvad ohutusseadmed või mille juhe on kahjustunud või kulunud.
- Hoidke pikendusjuhe eemal liikuvatest ohtlikest osadest, et vältida juhtme kahjustumist, mille tulemuse võite kokku puutuda pingestatud osadega.
- Ühendage toode ainult elektritoiteahelaga, mida kaitsneb rikkevooluseade (RCD) rakendumise voolutugevusega kuni 30 mA.
- Ärge kasutage seadet halva ilmaga (eriti äikesetormi ajal).

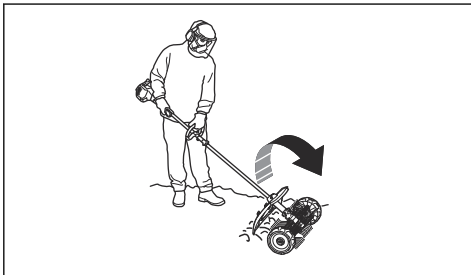
Ohutusjuhised kasutamisel



HOIATUS: Enne toote kasutamist lugege läbi järgnevad hoiatused.

- Seiskamislülitil läheb ise lähteasendisse. Kokkupaneku, kontrollimise ja/või hoolduse ajal vältige kindlasti soovimatut käivitumist. Kui teil on bensiinitoitega toode, võtke süüteküünla kate süüteküünla küljest lahti. Kui teil on akutoitega toode, eemaldage aku.
- Hoiduge lendu paisatud objektide eest. Kasutage alati kaitseprille. Ärge kummarduge kunagi samblaeemaldi kohale. Kivid ja muud esemed või osakesed võivad lennata silma ja põhjustada ohtlikke kahjustusi või isegi pimedaksjäämist.
- Reduktor võib kasutamisel kuumeneda ja püsida kuumana ka mõni aeg pärast kasutamist. Puudutamisel on oht saada põletada.
- Kuigi harjade trumlid ei pöörle sellise jõuga kui näiteks muruniiduki terad, tuleks vältida töötamist materjalidega, mis võivad tekitada paiskumise korral vigastusi või põhjustada varalist kahju.
- Ärge kasutage kunagi seadet olukordades, kus te ei saa kutsuda abi õnnetuse korral.
- Kasuta seadet ainult ettenähtud otstarbel.
- Ära kunagi tööta seadmega, kui oled väsinud, alkoholi tarvitanud või kui oled saanud ravimist, mis mõjub su nägemisele, otsustus- või keskendumisvõimele.
- Ärge kasutage seadet eriti rasketes ilmaoludes, väga külma, väga tuulise või niiske ilmaga.
- Ärge kunagi kasutage kahjustatud seadet. Teostage ohutuskontroll ja hooldage seadet korrapäraselt, nagu käsitlemisõpetuses nõutud. Teatud hooldustoiminguid tohib teha ainult vastava väljaõppe saanud spetsialist. Vt juhiseid lõigust „Hooldus“.
- Ära luba kunagi lastel seadet kasutada.
- Ärge lubage kellelgi masinat kasutada enne, kui olete kindel, et ta on kasutusjuhendi läbi lugenud ja selle sisust aru saanud.
- Ära lase ligi kõrvalisi isikuid. Lapsed, loomad, pealtvaatajad ja abistajad peavad teie töötamise ajal viibima väljaspool 15-meetrist ohutustsooni. Seisake masin kohe, kui keegi läheneb.

- Kui olukord on teile tundmatu, katkestage töö ja paluge spetsialistidelt abi ja nõu. Võta ühendust edasimüüja või hoolduspunktiaga.
- Ärge tehke tööd, milleks teil puudub väljaõpe või kogemused.
- Jälgige oma ümbrust tähelepanelikult ja veenduge, et läheduses poleks inimesi või loomi, kes võivad seadmega kokku puutuda või teie kontrolli seadme üle halvendada.
- Kui kasutate kuulmiskaitset, olge tähelepanelik hoiuete ja hoiatussignaalide suhtes. Eemaldage kõrvaklapid kohe, kui mootor on seiskunud.
- Hoiduge seadme kasutamisest halva ilmaga. Ärge töötage paksu udu, kõva vihma, tuule või pakase korral. Halva ilmaga töötamine väsitab ja sellega kaasneb muid ohte, nagu libe maapind.
- Veenduge, et saate turvaliselt seista ja liikuda. Vaadake, et läheduses ei oleks tõkkeid, nagu juuri, kive, oksid, kraave jms, mis oleksid takistuseks juhul, kui tuleb kiiresti eemalduda. Olge eriti ettevaatlik mäeküljel töötades.



- Seadme teise kohta toimetamisel tuleb mootor välja lülitada.
- Ärge pange töötava mootoriga seadet maha, kui teil pole sellest head ülevaadet.
- Kasutage seadme hoidmiseks alati kahte kätt. Hoidke seadet keha lähedal.
- Vältige käte ja jalgade sattumist samblaeeemaldi lähedale, kui see töötab.
- Pärast mootori väljalülitamist hoidke käsi ja jalgu samblaeeemaldist eemal, kuni see on täielikult seiskunud.
- Tugeva vibratsiooni korral seisake seade. Kui teil on bensiinivõttega toode, võtke süütejuhe süüteküünla küljest lahti. Kui teil on akutoitega toode, eemaldage tootest aku. Veenduge, et seade ei oleks kahjustatud. Parandage vajadusel.

Isikukaitsevahendid

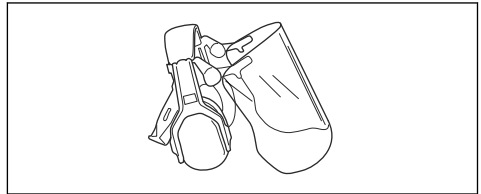


HOIATUS: Enne seadme kasutamist lugege läbi järgnevad hoiatused.

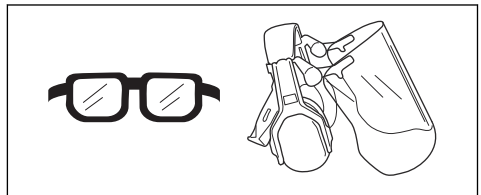
- Seadmega töötamisel tuleb kasutada ettenähtud isikukaitsevarustust. Isikukaitsevarustus ei välista täielikult kehavigastuste ohtu, kuid vähendab

õnnetusjuhtumi korral kehavigastuse raskusastet. Õige varustuse valimiseks pöörduge edasimüüja poole.

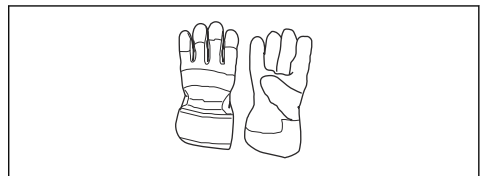
- Kandke alati sobiva summutusvõimega kuulmiskaitsemeid. Pikaajaline müra võib tekitada püsiva kuulmiskahjustuse.



- Kandke heakskiidetud kaitseprille. Näokaitseme kasutamisel tuleb lisaks kasutada heakskiidetud kaitseprille. Heakskiidetud kaitseprillide all mõeldakse selliseid prille, mis vastavad standardile ANSI Z87.1 USA-s või EN 166 Euroopa Liidu riikides.



- Vajaduse korral kandke kaitsekindaid, näiteks löikeoosa kinnitades, kontrollides või puhastades.

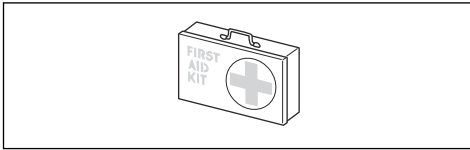


- Kandke terasest varbakatete ja liibsemist takistavate taldadega kaitseasaapid.



- Kandke vastupidavast materjalist riideid. Kandke alati pikki raskeid pükse ja pikki varrukaid. Hoiduge liiga avaratest rõivastest, mis võivad okstesse takerduda. Ärge kandke ehteid, lühikesi pükse, lahtiseid jalatseid ega käige paljajalu. Kinnitage juuksed ohutult õlgadest kõrgemale.

- Hoidke esmaabikomplekt käepärast.



Lisatarviku ohutusseadised



HOIATUS: Enne seadme kasutamist lugege läbi järgmised hoiatusjuhised.

Selles alalõigus kirjeldatakse lisatarviku ohutusfunktsioone, selle otstarvet ning seda, kuidas läbi viia kontrollid ja hooldust, et tagada toote nõuetekohane töö. Peatükist *Lisatarviku ülevaade lk 73* näete, kus need osad teie lisatarvikul paiknevad.

Kui lisatarvikut ei hooldata õigesti ja korrapäraselt ning seda ei paranda asjatundja, võib lüheneda seadme tööiga ja suurendada õnnetuste oht. Kui vajate täiendavat infot, pöörduge lähimasse teenindusse.



HOIATUS: Ärge kasutage lisatarvikut, kui selle turvavarustus pole täiesti korras. Ohutusvarustust tuleb käesolevas lõigus toodud eeskirjade kohaselt hooldada ja kontrollida. Kui lisatarvik ei vasta ohutusnõuetele, laske see parandada hooldustöökojas.



HOIATUS: Toote hooldus ja parandamine nõuab eraldi väljaõpet. Eriti oluline on see toote ohutusvarustuse puhul. Kui toode ei vasta allpool toodud nõuetele, võtke ühendust hooldustöökojaga. Meie toodetele on tagatud professionaalne

hooldus ja parandus. Kui toote müüja ei tegele hooldusega, paluge teda juhatada teid lähimasse hooldustöökotta.

Ohutusjuhised hooldamisel



HOIATUS: Enne hooldustööde tegemist lugege läbi järgmised hoiatused.

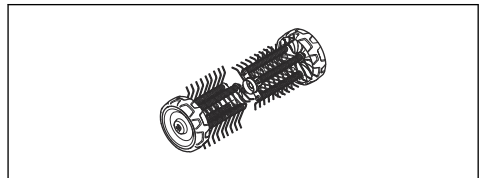


HOIATUS: Enne lisatarvikuga töötamist peatage alati toode. Olge ettevaatlik. Lisatarvik võib jätkata liikumist pärast toitelüliti/gaasihoovastiku nupu vabastamist. Veenduge, et lisatarvik on täielikult peatunud. Kui teil on bensiinitoitega toode, võtke süütejuhe süüteküünla küljest lahti. Kui teil on akutoitega toode, eemaldage aku.



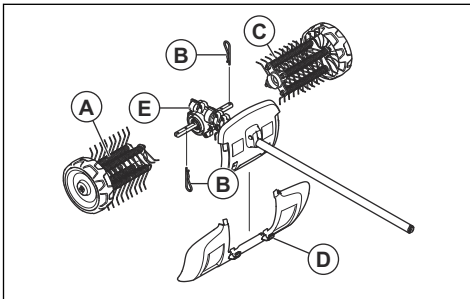
HOIATUS: Kasutage alati kaitsekindaid.

- Enne alustamist kontrollige kogu toodet. Veenduge, et kõik kaitсед ja katted on terved ja tugevasti kinnitatud. Kontrollige kõiki mutreid ja kruvisid.
- Kui teil on bensiinimootoriga toode, kontrollige, kas sellel pole kütuselekkeid.
- Vahetage välja kahjustatud osad.



Kokkupanek

Lisatarviku paigaldamine

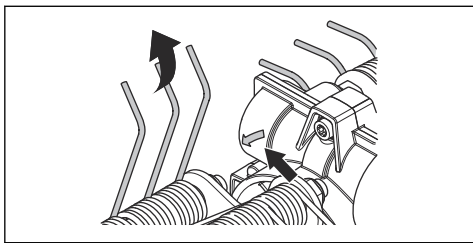


Reduktoril olev nool näitab pöörlemissuunda. Reduktor tuleb paigaldada vastavalt joonisel näidatule.

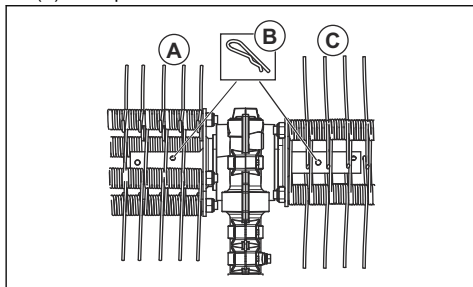
TÄHTIS:

Samblaemaldi rullid on tähistatud nooltega, mis näitavad pöörlemissuunda. Veenduge, et samblaemaldi rullid oleksid õigesti paigaldatud.

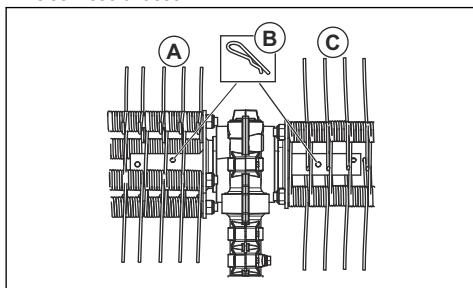
Samblaemaldi rullid tuleb paigaldada üksteise suhtes väikse nihkega. Samblaemaldi vedrud peavad osutama samas suunas kui reduktoril olev pöörlemissuunda tähistav nool.



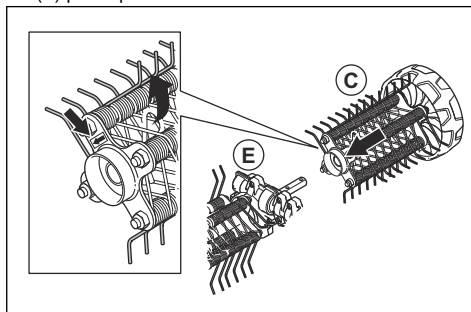
1. Suruge vasakpoolne samblaeemaldi (A) reduktori (E) vasakpoolse veovõlli otsa.



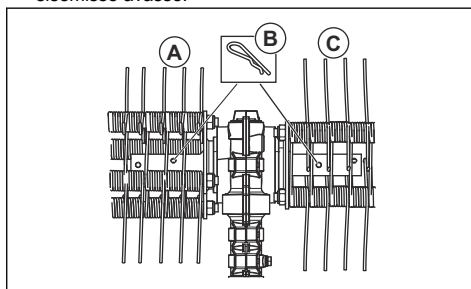
2. Kinnitage samblaeemaldi rull splindi (B) abil võlli sisemisse avasse.



3. Suruge parempoolne samblaeemaldi (C) reduktori (E) parempoolse veovõlli otsa.



4. Kinnitage samblaeemaldi rull splindi (B) abil võlli sisemisse avasse.



5. Kinnitage pritsmekaitse klõpsklambrite (D) abil.

Märkus: Lisateabe saamiseks põhitoote paigalduse lisavarustuse kohta lugege põhitoote juhendit.

Töö

Külma mootoriga toote käivitamine

Kui teil on bensiinitoitega toode, järgige külma mootoriga toote käivitamise korral neid juhiseid.

1. Laske põhitootel soojeneda ja seejärel lülitage toode välja.
2. Paigaldage lisatarviku vastavalt paigaldussuunistele.
3. Karburaatori reguleerimisel veenduge, et samblaeemaldi on vastu maad ja läheduses ei viibi kedagi.
4. Laske samblaeemaldil töötada tühikäigul.
5. Kontrollige, et käepidemed ja turvadetailid oleksid korras. Ärge kasutage toodet, kui sellel puudub mõni osa või midagi on muudetud, nii et see ei vasta enam tehnilistele näitajatele.

Lisatarviku kasutamine

1. Laske samblaeemaldil töötada täisgaasil (või peaaegu täisgaasil), nii et rattad toetuvad maha.

Märkus: Töötamise ajal on samblaeemaldi ülestõstmine või maast kõrgemal hoidmine väsitav ja ebavajalik.

2. Säilitage pinnaga väike töötamisnurk. Laia töötamisnurga korral kipub samblaemaldi teie poole liikuma ja võib põhjustada toote juhitavuse kaotamist.



Hooldamine

Sissejuhatus

Allpool on toodud üldised hoolduseeskirjad. Täpsema teabe saamiseks pöörduge hooldustöökotta.

Lõikeosa hooldamine



ETTEVAATUST: Samblaemaldiga tuleb töötada tihti tolmustes tingimustes. Kui teil on bensiinitoitel toode, on äärmiselt oluline õhufiltrit regulaarselt hooldada, sageli isegi iga päev, ning õlitada, et see töötaks korralikult.

Hooldusjuhiseid lugege toiteseadme kasutusjuhendist.

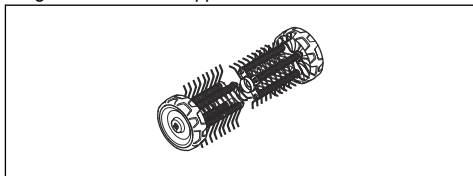


HOIATUS: Lisatarviku hooldamisel kandke alati kaitsekindaid.



HOIATUS: Toote kasutamisel muutub ülekanne tuliseks. Ärge puudutage ülekannet, sest see võib tekitada põletust.

1. Veenduge, et samblaemaldi ei pöörle, kui toitelüliti/gaasihoovastiku nupp on vabastatud.



2. Kui rattad vabalt ei pöörle, puhastage neid.

Transportimine, hoiulepanek ja utiliseerimine

Transport ja hoiustamine

Kui transportite lisatarvikut teises sõidukis, kasutage alati ettenähtud kinnituseadmeid ja veenduge, et lisatarvik oleks kindlalt kinnitatud.

Enne pikemaajalist hoiustamist tuleb lisatarvik korralikult puhastada ja hooldada.

Tehnilised andmed

Tehnilised andmed bensiinitoitega toodete kohta

Samblaemaldi	DT600
Laius, mm	556
Mass	
Kaal, kg	6,5

Samblaeemaldi	DT600
Müraemissioon ⁴³	
Helitugevuse tase, dB(A)	105
Helivõimsuse tase, garanteeritud L_{WA} dB(A)	109
Müratase ⁴⁴	
Ekvivalentne mürarõhutase kasutaja kõrva juures, mõõdetud EN ISO 22868 järgi, dB(A):	95
Vibratsioonitasemed ⁴⁵	
EN ISO 22867 järgi mõõdetud käepidemete ekvivalentsed vibratsioonitasemed ($a_{hv,eq}$), m/s^2	
Eesmised/tagumised käepidemed	6,2/4,3

Tehnilised andmed akutoitega toodete kohta

325iLK + samblaemaldi lisatarvik DT600	
Laius, mm	556
Mass	
Kaal, kg	2,3+6,5
Müraemissioon ⁴⁶	
Helivõimsuse tase, mõõdetud dB(A)	89
Müratase ⁴⁷	
Helirõhutase kasutaja kõrva juures, mõõdetud EN ISO 22868 järgi, dB(A)	77
Vibratsioonitasemed ⁴⁸	
Käepidemete vibratsioonitasemed, mõõdetud EN 62841-1 järgi, m/s^2	
Eesmised/tagumised käepidemed	1,9/2,6
Originaalse vasak-/parempoolse heakskiidetud lisatarvikuga	1,9/2,6

⁴³ Mõõdetud koosHusqvarna kinnitatud lisavarustusega. Müraemissioon ümbritsevasse keskkonda, mõõdetud helivõimsuse tasemena (L_{WA}) vastavalt EÜ direktiivile 2000/14/EÜ. Seadme antud müratase mõõdeti enim müra tekitava originaalsaagimisseadme kasutamisel. Erinevus garanteeritud ja mõõdetud helivõimsustaseme vahel seisneb selles, et direktiivi 2000/14/EÜ alusel hõlmab garanteeritud helivõimsustase ka mõõtmistulemuste dispersiooni ja kõrvalekaldeid sama mudeli erinevate seadmete vahel.

⁴⁴ Mõõdetud koosHusqvarna kinnitatud lisavarustusega. Antud andmetel seadme helitugevuse taseme ekvivalendi kohta on statistiline tüüplevi 1 dB(A) (standardne kõrvalekalle).

⁴⁵ Mõõdetud koosHusqvarna kinnitatud lisavarustusega. Ekvivalentse vibratsioonitaseme kohta toodud andmete tüüpiline statistiline dispersioon (standardhälve) on 1 m/s^2 .

⁴⁶ Antud andmetel seadme helivõimsustaseme ekvivalendi kohta on statistiline tüüplevi 3 dB(A) (standardne kõrvalekalle) ja on mõõdetud originaalse löikeosaga, mis annab kõrgeima taseme.

⁴⁷ Antud andmetel seadme helirõhutase ekvivalendi kohta on statistiline tüüplevi 3 dB(A) (standardne kõrvalekalle) ja on mõõdetud originaalse löikeosaga, mis annab kõrgeima taseme.

⁴⁸ Vibratsioonitaseme kohta toodud andmete tüüpiline statistiline dispersioon (standardhälve) on 2 m/s^2 . Akuga ja põlemismootoriga seadmete vibratsioonitasemete võrdlemiseks kasutatakse vibratsioonikalkulaatorit. <https://www.husqvarna.com/uk/services-solutions/vibration-calculator/>.

Vastavusdeklaratsioon

EÜ vastavusdeklaratsioon

Husqvarna AB, SE-561 82 Huskvarna, Rootsi, tel: +46
3614 6500, kinnitab ainuvastutusel, et toode:

Kirjeldus	Samblaeemaldi
Kaubamärk	Husqvarna
Tüüp/mudel	DT600
Identifitseerimine	Seerianumbrid alates 2022. aastast

vastab täielikult järgmistele EÜ direktiividele ja määrustele:

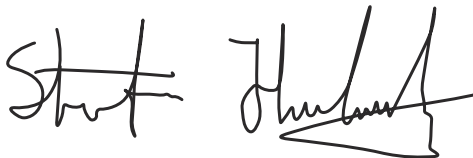
Direktiiv/eeskiri	Kirjeldus
2006/42/EÜ	„masinadirektiiv“
2000/14/EÜ	„seadmete müra kohta käiv direktiiv“
2011/65/EL	„elektri- ja elektroonikaseadmetes teatavate ohtlike ainete kasutamise piiramise direktiiv“

ja et kohalduvad järgmised standardid ja/või tehnilised spetsifikatsioonid: EN ISO 12100:2010, EN IEC 63000:2018

RISE SMP Svenska Maskinprovning AB, Box 7035,
SE-750 07 Uppsala, Sweden on teinud Husqvarna AB tellimusel vabatahtliku tüübihindamise.

Serdi number: SEC/15/2411

Huskvarna , 2022-03-14



Stefan Holmberg, uurimis- ja arendustegevuse juht,
tehnoloogiahaldus, Husqvarna AB

Tehnilise dokumentatsiooni eest vastutaja



Sisällys

Johdanto.....	82	Huolto.....	88
Turvallisuus.....	83	Kuljettaminen, säilyttäminen ja hävittäminen.....	88
Asentaminen.....	87	Tekniset tiedot.....	89
Käyttö.....	88	Vaatumusten mukaisuusvakuutus.....	91

Johdanto

Tuotekuvaus

Kehitämme jatkuvasti tuotteitamme ja pidätämme siksi itsellämme oikeuden muuttaa tuotteiden muotoa ja ulkonäköä ilman ennakoilmoitusta.

Huomautus: Tässä käyttöohjeessa käsitellään sekä bensiini- että akkukäyttöisiä laitteita.

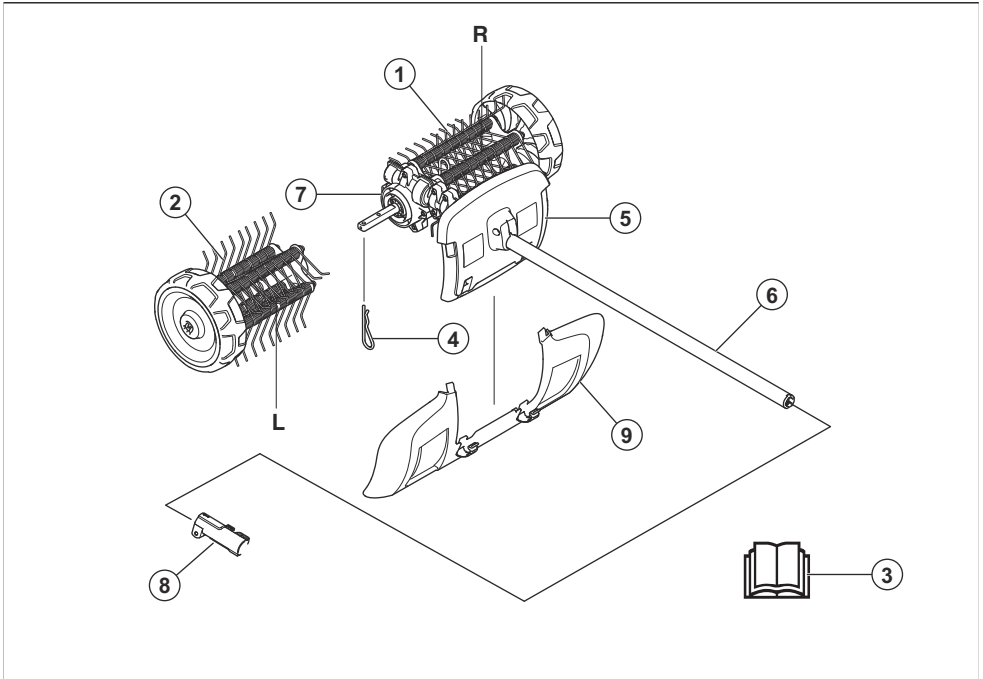
Käyttötarkoitus



VAROITUS: Tätä lisälaitetta saa käyttää vain sille tarkoitettuun laitteeseen. Katso laitteen käyttöohjekirjan lisävarusteita käsittelevä luku.

Lisälaite on tarkoitettu ainoastaan sammaleen poistamiseen nurmikosta.

Lisälaitteen yleiskatsaus



1. Sammaleenpoistaja oikea
2. Sammaleenpoistaja vasen
3. Käyttöohje
4. Saksisokka
5. Suojus (vetovarren suojaus)
6. Runkoputki
7. Vaihdekotelo
8. Runkoputken liitin (toimitetaan tuotteen mukana)
9. Roiskesuojus

Lisälaitteen ja käyttöagregaatin symbolit



Tämän lisälaitteen huolimaton käyttö tai väärinkäyttö voi aiheuttaa käyttäjälle tai sivullisille vakavia vammoja tai kuoleman.



Lue käyttöohje huolellisesti ja varmista, että ymmärrät sen sisällön, ennen kuin alat käyttää lisälaitetta.



Käytä hyväksytyjä kuulonsuojaimia. Käytä hyväksytyjä suojalaseja. Käytä hengityssuojainta, jos on olemassa polyvaara.



Tämä lisälaitte täyttää sovellettavien EY-direktiivien vaatimukset.



Tämä tuote täyttää sovellettavien UK-säädösten vaatimukset.



Pyöriviä osia. Pidä kädet ja jalat poissa niiden läheltä. Nuoli osoittaa pyörimissuunnan.



Käytä aina hyväksytyjä suojakäsineitä.



Käytä luistamattomia ja tukevia jalkineita.



Varo sinkoutuvia esineitä ja kimmokkeita.



Käyttäjän on varmistettava, että ihmiset ja eläimet ovat vähintään 15 metrin päässä laitteesta. Kun useita käyttäjiä työskentelee samalla työalueella, on käytettävä vähintään 15 metrin turvaetäisyyttä. Lisälaitte voi singota rajulla voimalla esineitä, jotka voivat kimmota takaisin. Se voi johtaa vakaviin silmävammoihin, mikäli suositeltuja suojaimia ei käytetä.



Pysy vähintään 15 metrin / 50 jalan etäisyydellä ihmisistä ja eläimistä tuotteen käytön aikana.



Pidä kaikki kehon osat poissa kuumilta pinnoilta.



Melupäästöt ympäristöön -tarra EU:n ja Yhdistyneen kuningaskunnan direktiivien ja säädösten mukaisesti sekä Uuden Etelä-Walesin "Protection of the Environment Operations (Noise Control) Regulation 2017" -asetuksen mukaisesti. Tuotteen taattu äänentehotaso on määritely kohdassa *Tekniset tiedot sivulla 89* ja arvokilvessä.

Huomautus: Muita lisälaitteen tunnuksia/tarroja tarvitaan tietyillä markkina-alueilla ilmaisemaan erityisiä sertifiointivaatimuksia.

Turvallisuus

Turvallisuusmääritelmät

Varoituksia, huomioita ja huomautuksia käytetään, kun jotakin käyttöohjeen osaa halutaan erityisesti korostaa.



VAROITUS: Tätä käytetään, jos käyttöohjeen noudattamatta jättämisestä voi seurata käyttäjän tai sivullisen vamma tai kuolema.



HUOMAUTUS: Tätä käytetään, jos käyttöohjeen noudattamatta jättämisestä voi seurata tuotteen ja/tai lisälaitteen, muiden materiaalien tai ympäristön vaurioituminen.

Huomautus: Tätä käytetään tietyissä tilanteissa tarvittavien lisätietojen antamiseen.

Yleiset turvaohjeet



VAROITUS: Lue seuraavat turvaohjeet ennen lisälaitteen käyttämistä.

- Lue käyttöohje huolellisesti ja varmista, että ymmärrät sen sisällön, ennen kuin alat käyttää lisälaitetta.
- Nämä ohjeet täydentävät laitteen mukana toimitettuja ohjeita. Katso muita toimenpiteitä koskevat ohjeet laitteen käyttöohjeista.
- Lisälaitteen rakennetta ei missään tapauksessa saa muuttaa ilman valmistajan lupaa. Älä käytä lisälaitetta, mikäli epäilet jonkun muun tehneen siihen muutoksia. Käytä aina alkuperäisiä lisävarusteita. Hyväksymättömien muutosten ja/tai lisävarusteiden käyttö voi aiheuttaa käyttäjälle tai muille vakavia vahinkoja tai kuoleman.

Lue kaikki ohjeet



VAROITUS: Sähkökäyttöisiä puutarhatyökaluja käytettäessä on aina noudatettava yleisiä turvaohjeita, jotka vähentävät tulipalon, sähköiskun ja henkilövahinkojen vaaraa ja joita ovat esimerkiksi seuraavat:

Lisälaitteen turvaohjeet

- Älä koskaan anna lasten tai henkilöiden, joiden fyysinen, aistinvarainen tai henkinen toimintakyky on alentunut, käyttää laitetta. Laitetta eivät saa myöskään käyttää henkilöt, joilla ei ole riittäviä taitoja tai kokemusta laitteesta tai henkilöt, jotka eivät ole tutustuneet tuotteen käyttöohjeisiin. Paikalliset määräykset saattavat rajoittaa käyttäjän ikää.
- Älä koskaan käytä laitetta, kun lähistöllä on ihmisiä, etenkin lapsia, tai lemmikkieläimiä.
- Älä kurota ja säilytä tasapaino aina. Älä koskaan juokse vaan kävele, jotta varmistut, että jalansijasi on tasainen.
- Älä koske liikkuviin vaarallisiin osiin, ennen kuin kone on irrotettu verkkovirrasta ja liikkuvat vaaralliset osat ovat täysin pysähtyneet.
- Käytä aina turvallisia jalkineita ja pitkiä housuja, kun käytät konetta.
- Irrota akku laitteesta, kun laite on valvomatta, ennen tukoksen selvittämistä ja ennen laitteen puhdistusta ja muita toimenpiteitä.
- Irrota akku laitteesta ennen kuin tarkastat vaurioita, esimerkiksi silloin, kun laitteeseen on osunut vieras esine tai mikäli laitteessa ilmenee epätavallista ääntä.
- Älä yhdistä vaurioitunutta virtajohtoa virtalähteeseen tai koske vaurioituneeseen virtajohtoon, ennen kuin se on irrotettu virtalähteestä. Vaurioitunut virtajohto

saattaa olla yhteydessä jännitteisiin osiin ja voi aiheuttaa vamman tai kuoleman.

- Älä käytä laitetta, jossa on vialliset varolaitteet/suojukset, ilman turvalaitteita tai jos virtajohto on vaurioitunut tai kulunut.
- Vältä virtajohtoon vauriot pitämällä jatkojohdot poissa liikkuvista vaarallisista osista, jotka voivat yhteydessä jännitteisiin osiin.
- Yhdistä laite virtalähdempiiriin, joka on suojattu vikavirtasuojajakytkimellä (RCD), jonka laukaisuvirta on enintään 30 mA.
- Älä käytä laitetta epäsuotuisissa sääolosuhteissa, etenkin jos salamointi on mahdollista.

Turvallisuusohjeet käyttöä varten



VAROITUS: Lue seuraavat varoitusohjeet ennen laitteen käyttämistä.

- Moottori sammutetaan viemällä pysäytyskosketin pysäytysasentoon. Pysäytyskosketin palautuu automaattisesti käynnistysasentoon. Estä tahaton käynnistyminen, kun kokoat tai tarkastat laitetta ja/tai teet huoltotöitä. Jos laite on bensiinikäyttöinen, irrota sytytystulpan suojus sytytystulpasta. Jos laite on akkukäyttöinen, irrota akku.
- Varo sinkoutuvia esineitä. Pidä aina silmäsuojia. Älä kumarru sammaleenpoistajan ylle. Kivet, roskat yms. saattavat sinkoutua silmiin ja aiheuttaa sokeutumisen tai vakavia vahinkoja.
- Vaihde voi olla kuuma käytön aikana ja jonkin aikaa sen jälkeen. Koskettaminen voi aiheuttaa palovamman.
- Vaikka harjarumpujen voima ei ole yhtä suuri kuin esimerkiksi ruohonleikkurin terien, niillä ei kannata työstää materiaaleja, jotka voivat sinkoutuessaan aiheuttaa henkilö- tai omaisuusvahinkoja.
- Älä koskaan käytä konetta niin, ettei sinulla onnettomuustapauksessa ole mahdollisuutta kutsua apua.
- Käytä konetta vain sille tarkoitettuihin töihin.
- Älä koskaan käytä konetta, jos olet väsynyt, nauttinut alkoholia tai lääkkeitä, jotka voivat vaikuttaa näkökykyysi, harkintakykyysi tai kehosi hallintaan.
- Älä koskaan käytä konetta äärimmäisissä ilmastolosuhteissa, kuten kovassa pakkasessa tai erittäin lämpimässä ja/tai kosteassa ilmastossa.
- Älä koskaan käytä viallista konetta. Noudata tässä käyttöohjeessa annettuja turvallisuustarkastuksia, kunnossapitoa ja huoltoa koskevia ohjeita. Tietty kunnossapito- ja huoltotyöt on annettava koulutettujen ja pätevien asiantuntijoiden tehtäviksi. Katso ohjeet kohdasta Kunnossapito.
- Älä koskaan anna lasten käyttää konetta.
- Älä koskaan anna kenenkään käyttää konetta varmistamatta ensin, että käyttäjä on lukenut ja ymmärtänyt käyttöohjeen sisällön.

- Pidä asiaankuulumattomat etäällä. Lasten, eläinten, sivullisten ja apulaisten on pysyteltävä 15 metrin turvaetäisyydellä työskentelyn aikana. Sammuta laite välittömästi, jos joku tulee lähemmäs.
- Jos käytön jatkaminen tuntuu epävarmalta, kysy neuvoa asiantuntijalta. Käännä jälleenmyyjäsi tai huoltoliikkeesi puoleen.
- Älä tee mitään sellaista, mihin et katso taitosi riittävän.
- Tarkkaile ympäristöä ja varmista, ettei laite pääse osumaan ihmisiin tai eläimiin. Varmista myös, etteivät ihmiset tai eläimet pääse vaikuttamaan laitteen hallintaan.
- Tarkkaile aina varoitussignaaleja ja -huutoja kuulonsuojaimia käytettäessä. Riisu kuulonsuojaimet välittömästi moottorin pysäytyksen jälkeen.
- Älä käytä konetta epäsuotuisissa sääolosuhteissa, kuten tiheässä sumussa, rankkasateessa, kovassa tuulessa tai ankarassa pakkasessa. Huonossa säässä työskentely on väsyttävää, ja siihen liittyy usein riskitekijöitä, kuten jäinen alusta.
- Varmista, että voit siirtyä ja seisoa turvallisesti. Katso, onko äkilliselle siirtymiselle esteitä (juuria, kiviä, oksia, kuoppia, oja jne.). Noudata suurta varovaisuutta viettävässä maastossa työskennellessäsi.



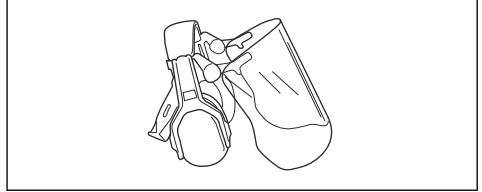
- Siirtymisen ajaksi on moottori sammutettava.
- Älä koskaan laske konetta maahan moottorin käydessä, jos et pysty valvomaan sitä koko ajan.
- Pidä koneesta aina molemmin käsin kiinni. Pidä koneesta aina molemmin käsin.
- Pidä kädet ja jalat etäällä sammaleenpoistajasta, kun se on käynnissä.
- Kun moottori on sammutettu, pidä kädet ja jalat etäällä sammaleenpoistajasta, kunnes se on täysin pysähtynyt.
- Jos laite alkaa täristä voimakkaasti, pysäytä kone. Jos laite on bensiinikäyttöinen, irrota sytytysjohto sytytystulpasta. Jos laite on akkukäyttöinen, irrota akku. Varmista, ettei kone ole vaurioitunut. Korjaa mahdolliset vauriot.

Henkilökohtainen suojavarustus

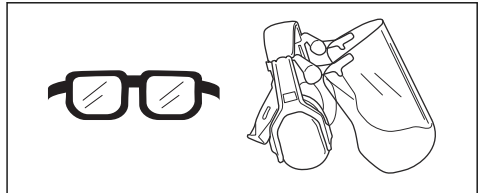


VAROITUS: Lue seuraavat varoitushjeet ennen laitteen käyttämistä.

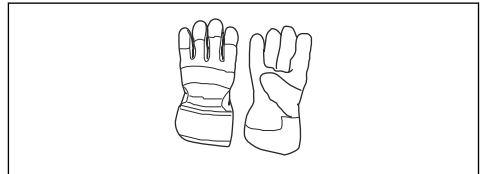
- Käytä aina hyväksytyjä henkilökohtaisia suojavarusteita, kun käytät laitetta. Henkilökohtaiset suojavarusteet eivät poista tapaturmien vaaraa, mutta ne lieventävät vammoja onnettomuustilanteessa. Anna jälleenmyyjän auttaa oikeiden varusteiden valinnassa.
- Käytä riittävän tehokkaasti vaimentavia hyväksytyjä kuulonsuojaimia. Pitkäaikainen altistuminen melulle saattaa aiheuttaa pysyviä kuulovammoja.



- Käytä hyväksytyjä silmäsuojaimia. Visiiriä käytettäessä on käytettävä myös hyväksytyjä suojalaseja. Hyväksytyillä suojalaseilla tarkoitetaan laseja, jotka täyttävät standardin ANSI Z87.1 (Yhdysvallat) tai EN 166 (EU-maat) vaatimukset.



- Käytä käsineitä tarvittaessa esimerkiksi terävarustuksen asennuksen, tarkastuksen ja puhdistuksen aikana.



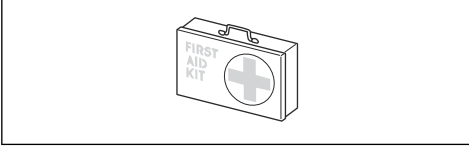
- Käytä turvajalkineita, joissa on teräskärjet ja luistamattomat pohjat.



- Käytä lujasta materiaalista valmistettuja vaatteita. Käytä aina vahvakankaisia pitkiä housuja ja pitkähihaista takkia. Vältä liian löysiä vaatteita, jotka tarttuvat helposti rusuihin ja oksiin. Älä pidä koruja, shortseja tai sandaaleja. Älä myöskään kulje

paljain jaloin. Sido hiukset turvallisesti olkapäiden yläpuolelle.

- Pidä ensiaputarvikkeet helposti saatavilla.



Lisälaitteen turvalaitteet



VAROITUS: Lue seuraavat varoitusohjeet ennen lisälaitteen käyttämistä.

Tässä osassa kerrotaan lisälaitteen turvaominaisuuksista ja niiden toiminnasta sekä annetaan tarkastus- ja kunnossapito-ohjeet, joilla varmistetaan laitteen toimivuus. Katso kohdasta *Lisälaitteen yleiskatsaus sivulla 82*, missä nämä osat sijaitsevat lisälaitteessasi.

Lisälaitteen käyttöikä voi lyhentyä ja onnettomuusvaara kasvaa, jos lisälaitteen kunnossapitoa ei suoriteta oikein ja jos huoltoa ja/tai korjauksia ei tehdä ammattitaitoisesti. Saat lisätietoja lähimmästä huoltoliikkeestä.



VAROITUS: Älä koskaan käytä lisälaitetta, jos sen turvalaitteet ovat viallisia. Lisälaitteen turvavarustus on tarkastettava ja pidettävä kunnossa tässä osassa esitetyllä tavalla. Jos lisälaitteessasi ilmenee tarkastettaessa puutteita, se on toimitettava huoltoliikkeeseen korjattavaksi.



VAROITUS: Kaikki tuotteen huolto- ja korjaustyöt vaativat erikoiskoulutusta. Tämä koskee erityisesti tuotteen turvavarustusta. Jos tuotteessa havaitaan puutteita alla luetelluissa tarkastuksissa, ota yhteyttä huoltoliikkeeseen. Hankkimalla

tuotteen meiltä varmistat, että saat sille ammattimaisen korjauksen ja huollon. Jos ostat tuotteen muusta kuin huollot suorittavasta ammattiliikkeestä, pyydä myyjää neuvomaan lähin huoltoliike.

Turvaohjeet huoltoa varten



VAROITUS: Lue seuraavat varoitusohjeet ennen huoltoa.

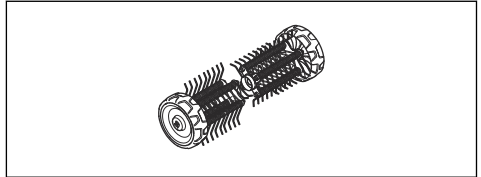


VAROITUS: Pysäytä laite aina, ennen kuin alat käsitellä lisälaitetta. Ole varovainen, sillä lisälaitte voi jatkaa liikkumista käyttö-/turvaliipaisimen vapauttamisen jälkeen. Varmista, että lisälaitte on täysin pysähtynyt. Jos laite on bensiinikäyttöinen, irrota sytytysjohto sytytystulpasta. Jos laite on akkukäyttöinen, irrota akku.



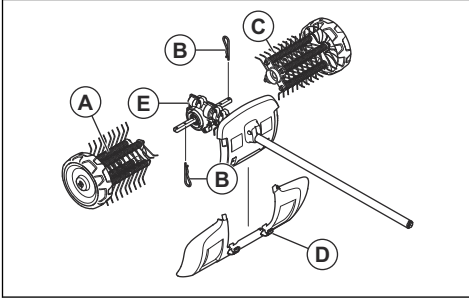
VAROITUS: Käytä aina suojakäsineitä.

- Tarkista laite kokonaisuudessaan ennen työn aloittamista. Tarkista, että kaikki suojukset ja kannet ovat ehjät ja kunnolla paikoillaan. Tarkista kaikki mutterit ja ruuvit.
- Jos laite on bensiinikäyttöinen, tarkista, ettei laitteesta vuoda polttoainetta.
- Vaihda vaurioituneet osat.



Asentaminen

Lisälaitteen asennus

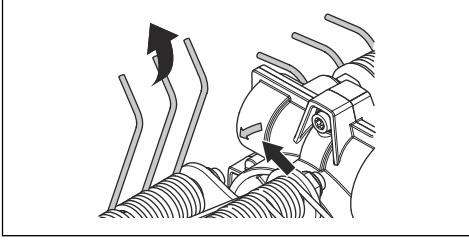


Vaihekotelossa oleva nuoli osoittaa pyörimissuunnan. Vaihekotelo on asetettava kuvan osoittamalla tavalla.

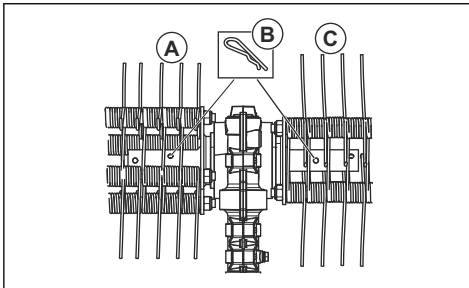
TÄRKEÄÄ:

Pyörimissuunta on merkitty sammaleenpoistajan rulliin nuolilla. Varmista, että sammaleenpoistajan rullat on asennettu oikein.

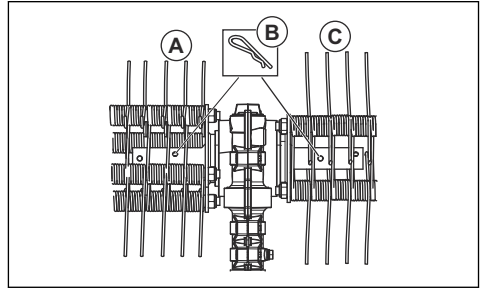
Sammaleenpoistajan rullat on asennettava toisiinsa nähden hieman eri kohtiin. Sammaleenpoistajan jousien on osoitettava samaan suuntaan kuin vaihekotelossa oleva pyörimissuunnan nuoli.



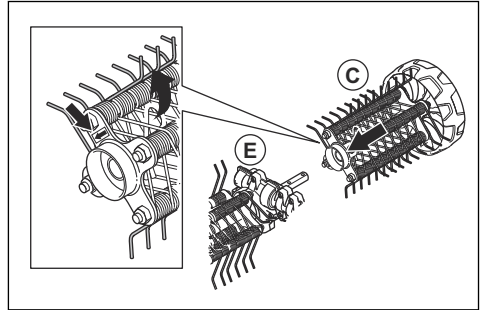
1. Paina vasemmanpuoleinen sammaleenpoistaja (A) vaihekotelon (E) vasempaan vetoakseliin.



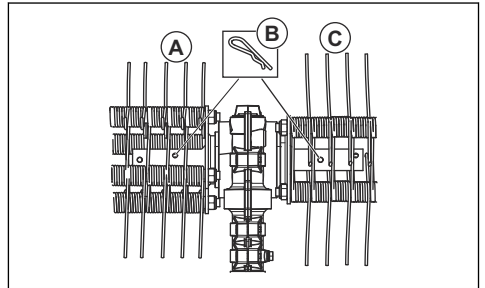
2. Kiinnitä sammaleenpoistajan rulla saksisokalla (B) vetovarren sisempään aukkoon.



3. Paina oikeanpuoleinen sammaleenpoistaja (C) vaihekotelon (E) oikeaan vetoakseliin.



4. Kiinnitä sammaleenpoistajan rulla saksisokalla (B) vetovarren sisempään aukkoon.



5. Kiinnitä roiskesuoja paikalleen napsauttavilla kiinnikkeillä (D).

Huomautus: Ohjeet lisävarusteiden asentamisesta laitteen vakiomalliin ovat vakiomallin käyttöoppaassa.

Käyttö

Laitteen käynnistäminen moottorin ollessa kylmä

Jos laite on bensiinikäyttöinen, noudata näytä ohjeita, kun käynnistä laitteen moottorin kylmänä.

1. Käytä laite lämpimäksi ja sammuta se.
2. Kiinnitä lisälaitte asennusohjeiden mukaisesti.
3. Kaasuttimen säädön yhteydessä on varmistettava, että poistolaitte on tuettu maata vasten ja että alueella ei ole muita henkilöitä.
4. Anna sammaleenpoistajan käydä joutokäynnillä.
5. Varmista, että kahvat ja turvatoiminnot ovat kunnossa. Älä koskaan käytä laitetta, jos siitä puuttuu jokin osa tai sitä on muutettu määräysten vastaisesti.

Lisälaitteen käyttäminen

1. Käytä sammaleenpoistajaa täydellä (tai lähes täydellä) kaasulla niin, että pyörät lepäävät pintaa vasten.

Huomautus: Sammaleenpoistajan nostaminen irti pinnasta työskentelyn aikana on käyttäjälle raskasta ja tuloksen kannalta tarpeetonta.

2. Pidä laite pienessä kulmassa työstettävään pintaan nähden. Jos työskentelykulma on suuri, sammaleenpoistaja liikkuu sinua kohti ja saatat menettää laitteen hallinnan.



Huolto

Johdanto

Alla on annettu joitakin yleisiä hoito-ohjeita. Jos tarvitset lisäohjeita, ota yhteys huoltoliikkeeseen.

Lisälaitteen kunnossapito



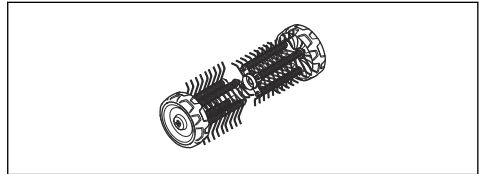
HUOMAUTUS: Sammaleenpoistajaa käytetään usein pölyisissä olosuhteissa. Jos laite on bensiinikäyttöinen, on erittäin tärkeää, että ilmansuodatin tarkastetaan säännöllisesti, usein päivittäin, ja öljytään, jotta se toimii tyydyttävästi.

Katso huolto-ohjeet käyttöaggregaatin käyttöoppaasta.



VAROITUS: Vaihte kuumenee laitetta käytettäessä. Älä koske vaihteeseen, sillä se aiheuttaa palovammoja.

1. Varmista, että sammaleenpoistaja ei pyöri, kun käyttö-/turvaliipaisin on vapautettu.



2. Puhdista pyörät, jos ne eivät pyöri vapaasti.



VAROITUS: Käytä aina suojakäsineitä, kun huollat lisälaitetta.

Kuljettaminen, säilyttäminen ja hävittäminen

Kuljetus ja säilytys

Kuljetettaessa lisälaitetta toisessa ajoneuvossa on aina käytettävä hyväksytyjä kiinnityslaitteita ja varmistettava, että lisälaitte on kiinnitetty kunnolla.

Varmista, että lisälaitte on puhdistettu hyvin ja että täydellinen huolto on tehty ennen pitkäaikaissäilytystä.

Tekniset tiedot

Bensiinikäyttöisten laitteiden tekniset tiedot

Sammaleenpoistaja	DT600
Leveys, mm	556
Paino	
Paino, kg	6,5
Melupäästöt ⁴⁹	
Äänen tehotaso, mitattu dB(A)	105
Äänen tehotaso, taattu L_{WA} dB(A)	109
Äänitasot ⁵⁰	
Ekvivalentti äänenpainetaso käyttäjän korvan tasalla mitattuna standardien EN ISO 22868 mukaan, dB(A)	95
Tärinä ⁵¹	
Kahvojen vastaavat tärinätasot ($a_{hv,eq}$) mitattuna standardin EN ISO 22867 mukaan, m/s^2	
Etu-/takakahvat	6,2/4,3

Akkukäyttöisten laitteiden tekniset tiedot

325iLK + poistajalisälaite DT600	
Leveys, mm	556
Paino	
Paino, kg	2,3 + 6,5
Melupäästöt ⁵²	
Äänen tehotaso, mitattu dB(A)	89
Äänitasot ⁵³	

⁴⁹ Mitattu yhdessä lisävarusteiden kanssa, jotka Husqvarna on hyväksynyt. Melupäästö ympäristöön äänentehona (L_{WA}) EY-direktiivin 2000/14/EY mukaisesti mitattuna. Laitteen ilmoitettu äänentehotaso on mitattu käyttäen alkuperäistä terälaitetta, joka antaa suurimman äänentehotason. Taatun ja mitatun äänitehon erona on se, että taattu ääniteho sisältää myös mitatun tuloksen hajonnan ja vaihtelun saman mallin eri laitteiden välillä direktiivin 2000/14/EY mukaisesti.

⁵⁰ Mitattu yhdessä lisävarusteiden kanssa, jotka Husqvarna on hyväksynyt. Ilmoitetuilla tiedoilla vastaavasta koneen äänenpainetasosta tyypillinen tilastollinen hajonta (vakiopoikkeama) on 1 dB(A).

⁵¹ Mitattu yhdessä lisävarusteiden kanssa, jotka Husqvarna on hyväksynyt. Ilmoitetuilla tiedoilla vastaavasta tärinätasosta tyypillinen tilastollinen hajonta (vakiopoikkeama) on 1 m/s^2 .

⁵² Ilmoitetuilla tiedoilla koneen äänentehotaso tyypillinen tilastollinen hajonta (vakiopoikkeama) on 3 dB(A). Taso on mitattu käyttäen alkuperäistä lisälaitetta, joka antaa suurimman äänentehotason.

⁵³ Ilmoitetuilla tiedoilla koneen äänenpainetasosta tyypillinen tilastollinen hajonta (vakiopoikkeama) on 3 dB(A). Taso on mitattu käyttäen alkuperäistä lisälaitetta, joka antaa suurimman äänentehotason.

325iLK + poistajalisälaite DT600	
Äänenpainetaso käyttäjän korvan tasalla mitattuna standardin EN ISO 22868 mukaan, dB(A):	77
Tärinä ⁵⁴	
Kahvojen tärinätasot standardin EN 62841-1 mukaan mitattuna, m/s ²	
Etu-/takakahvat	1,9/2,6
Varustettu hyväksytyllä lisävarusteella (alkuperäinen), vasen/oikea	1,9/2,6

⁵⁴ Tärinätasolle ilmoitetuissa tiedoissa tyypillinen tilastollinen hajonta (vakiopoikkeama) on 2 m/s². Käytä akku- ja polttomootorikäyttöisten laitteiden tärinätasojen vertailussa tärinälaskuria. <https://www.husqvarna.com/uk/services-solutions/vibration-calculator/>.

Vaatimustenmukaisuusvakuutus

EU-vaatimustenmukaisuusvakuutus

Husqvarna AB, SE-561 82 Huskvarna, Ruotsi, puh. +46
36 146500, vakuuttaa täten, että tuote:

Kuvaus	Sammaleenpoistaja
Tuotemerkki	Husqvarna
Tyyppi/malli	DT600
Tunniste	Sarjanumerot vuodesta 2022 alkaen

vastaavat täysin seuraavien EU:n direktiivien ja
asetusten vaatimuksia:

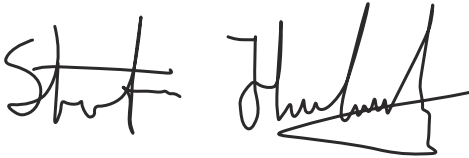
Direktiivi/asetus	Kuvaus
2006/42/EC	konedirektiivi
2000/14/EC	Melupäästädirektiivi
2011/65/EU	Direktiivi tiettyjen vaarallisten aineiden käytön rajoittamisesta sähkö- ja elektroniikkalaitteissa

ja että asiassa sovelletaan seuraavia standardeja
ja/tai teknisiä tietoja: EN ISO 12100:2010, EN IEC
63000:2018

RISE SMP Svenska Maskinprovning AB, Box 7035,
SE-750 07 Uppsala, Sweden on suorittanut Husqvarna
AB:n puolesta vapaaehtoisen tyypitarkastuksen.

Sertifikaatin numero: SEC/15/2411

Huskvarna , 2022-03-14



Stefan Holmberg, Tuotekehityspäällikkö, Technology
Management, Husqvarna AB

Teknisestä dokumentaatiosta vastaava edustaja



Sommaire

Introduction.....	92	Entretien.....	98
Sécurité.....	93	Transport, entreposage et mise au rebut.....	99
Montage.....	97	Caractéristiques techniques.....	99
Utilisation.....	98	Déclaration de conformité.....	101

Introduction

Description du produit

Nous travaillons continuellement au développement de nos produits et nous réservons le droit d'en modifier, entre autres, la conception et l'aspect sans préavis.

Remarque: Le présent manuel concerne à la fois les blocs d'alimentation fonctionnant à l'essence et ceux alimentés par batterie.

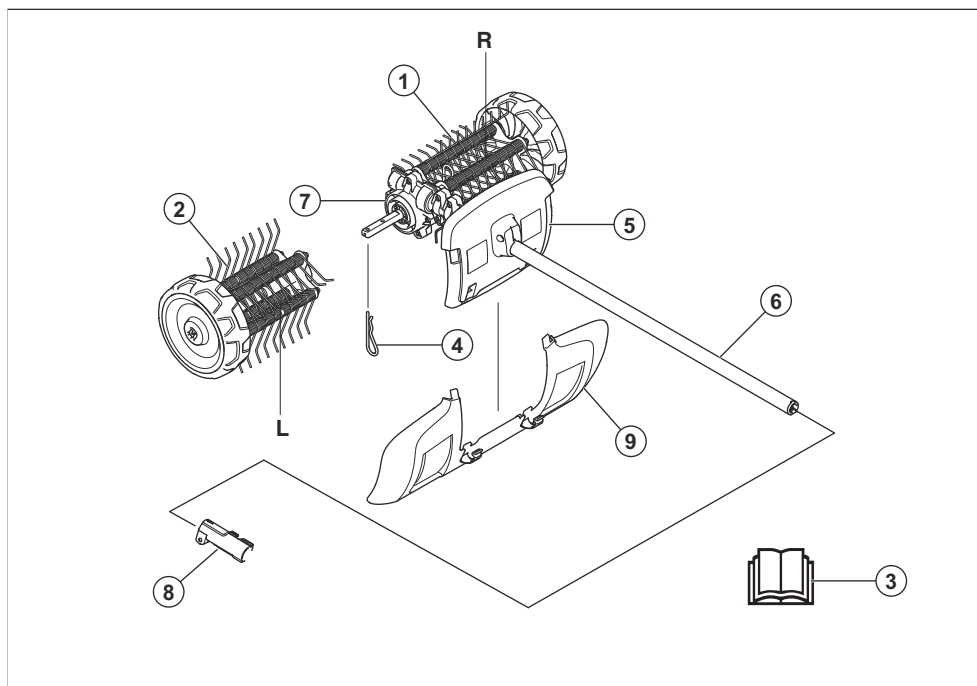
Utilisation prévue



AVERTISSEMENT: Cet accessoire ne peut être utilisé qu'avec le produit spécialement conçu à cet effet. Reportez-vous au chapitre sur l'accessoire du manuel d'utilisation du produit.

L'accessoire est conçu uniquement pour démousser les pelouses.

Présentation de l'accessoire



1. Démousseur droit
2. Démousseur gauche
3. Manuel d'utilisation
4. Goupille fendue
5. Protection (protection sur l'arbre)
6. Arbre
7. Carter
8. Accouplement d'arbre (inclus)
9. Protection anti-éclaboussures

Symboles sur l'accessoire et le bloc d'alimentation



Une utilisation erronée ou négligente de cet accessoire peut occasionner des blessures graves, voire mortelles, pour l'opérateur ou d'autres personnes.



Avant d'utiliser l'accessoire, lisez attentivement le manuel de l'opérateur et assimilez les instructions qu'il contient.



Utilisez des protège-oreilles homologués. Utilisez des protections pour les yeux homologués. Utilisez un masque respiratoire en cas de risque d'inhalation de poussière.



Cet accessoire est conforme aux directives CE en vigueur.



Ce produit est conforme aux directives applicables en vigueur au Royaume-Uni.



Pièces en rotation. Gardez les mains et les pieds éloignés. La flèche indique le sens de rotation.



Portez toujours des gants de protection homologués.



Utilisez des bottes antidérapantes et résistantes.



Attention : projections et ricochets.



L'opérateur doit s'assurer qu'aucune personne ni aucun animal ne se trouve à moins de 15 m de la machine. Lorsque plusieurs opérateurs travaillent sur le même site, une distance de sécurité d'au moins 15 m doit être respectée. L'accessoire peut projeter violemment des objets pouvant ricocher. Ceci peut provoquer de graves blessures aux yeux si l'équipement de protection personnelle recommandé n'est pas utilisé.



Restez à une distance minimale de 15 m (50 pi) des personnes et des animaux pendant le fonctionnement du produit.



Maintenez toutes les parties de votre corps à distance des surfaces chaudes et brûlantes.



Étiquette relative aux émissions sonores dans l'environnement selon les directives et réglementations européennes et du Royaume-Uni et la législation de la Nouvelle-Galles du Sud « Protection of the Environment Operations (Noise Control) Regulation 2017 ». Le niveau de puissance sonore garanti du produit est spécifié à la section *Caractéristiques techniques* à la page 99 et sur l'étiquette.

Remarque: Les autres symboles/autocollants présents sur l'accessoire concernent des exigences de certification spécifiques à certains marchés.

Sécurité

Définitions de sécurité

Des avertissements, des recommandations et des remarques sont utilisés pour souligner des parties spécialement importantes du manuel d'utilisation.



AVERTISSEMENT: Symbole utilisé en cas de risque de blessures ou de mort pour l'opérateur ou les personnes à proximité si les instructions du manuel ne sont pas respectées.



REMARQUE: Symbole utilisé en cas de risque de dommages pour le produit et/ou l'accessoire, d'autres matériaux ou les environs si les instructions du manuel ne sont pas respectées.

Remarque: Symbole utilisé pour donner des informations supplémentaires pour une situation donnée.

Instructions générales de sécurité



AVERTISSEMENT: Lisez les consignes de sécurité qui suivent avant d'utiliser l'accessoire.

- Lisez attentivement et assimilez le manuel d'utilisation avant d'utiliser l'accessoire.
- Ces consignes complètent les instructions fournies avec le produit. Pour d'autres procédures, veuillez vous reporter aux instructions d'utilisation du produit.
- Ne modifiez jamais l'accessoire sans l'autorisation du fabricant. N'utilisez pas un accessoire qui semble avoir été modifié par un tiers et utilisez toujours des accessoires d'origine. Des modifications non autorisées et l'emploi d'accessoires non homologués peuvent provoquer des accidents graves, voire mortels, à l'utilisateur ou d'autres personnes.

Lisez toutes les instructions



AVERTISSEMENT: Lors de l'utilisation d'appareils de jardinage, des précautions élémentaires de sécurité doivent toujours être observées afin de réduire les risques d'incendie, de décharge électrique et de blessures corporelles, y compris ce qui suit :

Consignes de sécurité du démousseur

- Ne laissez jamais des enfants, des personnes aux capacités physiques, motrices ou mentales réduites, des personnes sans expérience ni connaissance du produit ou des personnes n'ayant pas assimilé ces instructions utiliser ce produit. Les réglementations nationales peuvent limiter l'âge de l'utilisateur.
- Ne faites jamais fonctionner le produit lorsque des personnes, en particulier des enfants, ou des animaux domestiques se trouvent à proximité.
- Ne tendez pas les bras trop loin et gardez l'équilibre en permanence. En pente, veillez à marcher et à ne jamais courir pour être sûr de toujours garder l'équilibre.
- Ne touchez pas les pièces dangereuses en mouvement avant que la machine n'ait été débranchée du secteur et que les pièces dangereuses en mouvement ne se soient complètement arrêtées.
- Portez toujours des chaussures robustes et un pantalon long lorsque vous utilisez la machine.
- Retirez la batterie du produit lorsque ce dernier est laissé sans surveillance, avant de le désobstruer et avant de nettoyer le produit ou de travailler sur le produit.
- Retirez la batterie du produit avant de vérifier s'il est endommagé, par exemple après avoir heurté un corps étranger ou s'il commence à vibrer de manière anormale.

- Ne branchez pas un cordon endommagé sur l'alimentation et ne touchez pas un cordon endommagé avant de l'avoir débranché de l'alimentation électrique. Un cordon endommagé risque de provoquer un contact avec des pièces sous tension et peut entraîner des blessures graves, voire mortelles.
- N'utilisez jamais le produit si les protections sont défectueuses, s'il n'est pas équipé de dispositifs de sécurité ou si le cordon est endommagé ou usé.
- Tenez les rallonges à l'écart des pièces dangereuses en mouvement afin d'éviter d'endommager les cordons et ainsi prévenir tout contact avec des pièces sous tension.
- Connectez uniquement le produit à un circuit d'alimentation protégé par un disjoncteur différentiel (RCD) dont le courant de déclenchement est inférieur ou égal à 30 mA.
- N'utilisez pas le produit par mauvais temps, en particulier lorsqu'il y a un risque de foudre.

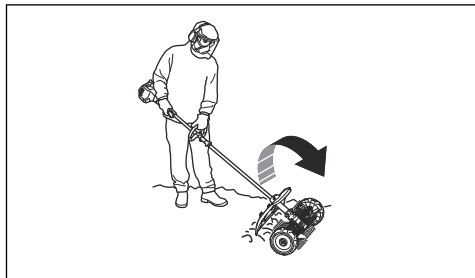
Instructions de sécurité pour le fonctionnement



AVERTISSEMENT: Lisez les instructions qui suivent avant d'utiliser le produit.

- L'interrupteur d'arrêt se remet automatiquement en position de démarrage. Veillez à éviter tout démarrage accidentel lors du montage, du contrôle et/ou de l'entretien. Si vous disposez d'un produit fonctionnant à l'essence, débranchez le capuchon de la bougie. Si vous disposez d'un produit alimenté par batterie, retirez la batterie.
- attention aux objets projetés. Travaillez toujours avec des lunettes de protection. Ne vous penchez jamais par-dessus le démousseur. Des cailloux, débris, etc. peuvent être projetés dans les yeux et causer des blessures très graves, voire la cécité.
- Après l'utilisation, l'engrenage peut être chaud pendant un moment. Risque de brûlures au contact.
- Bien que les brosses n'aient pas la même force que les lames d'une tondeuse, par exemple, vous devez éviter de travailler avec des matériaux qui peuvent causer des blessures personnelles ou des dégâts matériels en cas de projection.
- N'utilisez pas la machine s'il n'est pas possible d'appeler au secours en cas d'accident.
- Utiliser la machine uniquement pour les travaux auxquels elle est destinée.
- Éviter d'utiliser la machine en cas de fatigue, d'absorption d'alcool ou de prise de médicaments susceptibles d'affecter l'acuité visuelle, le jugement ou la maîtrise du corps.
- N'utilisez jamais la machine dans des conditions climatiques extrêmes telles que le froid intense ou climat très chaud et/ou humide.

- N'utilisez jamais une machine qui n'est pas en parfait état de marche. Appliquez les instructions de maintenance et d'entretien ainsi que les contrôles de sécurité indiqués dans ce manuel d'utilisation. Certaines opérations de maintenance et d'entretien doivent être réalisées par un spécialiste dûment formé et qualifié. Voir les instructions à la section Maintenance.
- Ne jamais laisser un enfant utiliser la machine.
- Ne laissez jamais d'autres personnes utiliser la machine sans vous être assuré au préalable que ces personnes ont bien compris le contenu du mode d'emploi.
- Maintenir à distance toutes les personnes non concernées par le travail. Les enfants, les animaux, les spectateurs et les collègues de travail devront se trouver en dehors de la zone de sécurité, soit à au moins 15 m lorsque vous travaillez. Arrêtez immédiatement la machine si une personne s'approche.
- Dans l'éventualité d'une situation rendant la suite du travail incertaine, consultez un expert. Adressez-vous au revendeur ou à l'atelier de réparation.
- Évitez les tâches pour lesquelles vous ne vous sentez pas suffisamment qualifié.
- Assurez-vous que la zone de travail est bien dégagée et qu'aucune personne et aucun animal ne risquent d'entrer en contact avec l'équipement de coupe, ou d'altérer le contrôle que vous avez du produit.
- Restez attentif aux signaux d'alerte ou aux appels lorsque vous portez des protecteurs d'oreille. Enlevez toujours vos protège-oreilles dès que le moteur s'arrête.
- N'utilisez pas la machine par mauvais temps : brouillard épais, forte pluie, vent violent, grand froid, etc. Le travail par mauvais temps est source de fatigue et s'accompagne souvent de risques supplémentaires, tels qu'un sol glissant.
- Assurez-vous de pouvoir vous tenir et vous déplacer en toute sécurité. Repérez les éventuels obstacles en cas de déplacement imprévu : souches, pierres, branchages, fondrières, etc. Observez la plus grande prudence lors de travail sur des terrains en pente.



- Arrêtez le moteur en cas de déplacement.

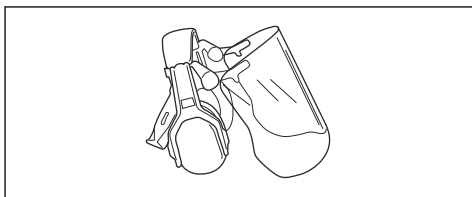
- Ne posez jamais le produit par terre lorsque le moteur est en marche, sauf si vous pouvez le surveiller.
- Toujours tenir la machine des deux mains. Porter la machine sur le côté du corps.
- Veillez à ce que ni les mains, ni les pieds ne soient en contact avec le démousseur lorsqu'il est en marche.
- Après l'arrêt du moteur, gardez vos mains et vos pieds à l'écart du démousseur jusqu'à son arrêt total.
- En cas d'importantes vibrations, arrêtez le produit. Si vous avez utilisé un produit fonctionnant à l'essence, débranchez le câble HT de la bougie. Si vous disposez d'un produit alimenté par batterie, retirez la batterie du produit. Assurez-vous que la machine n'est pas endommagée. Réparez tout éventuel dommage.

Équipement de protection individuel

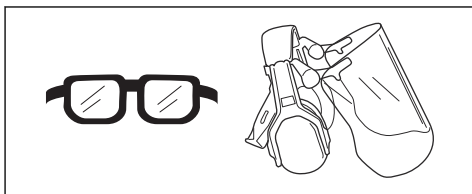


AVERTISSEMENT: Lisez les instructions qui suivent avant d'utiliser le produit.

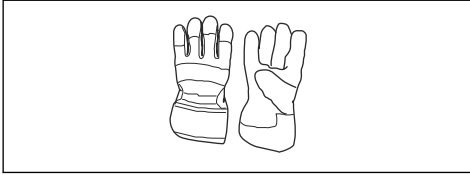
- Portez toujours un équipement de protection individuel homologué lorsque vous utilisez le produit. L'équipement de protection individuel ne protège pas complètement des blessures, mais il diminue la gravité des blessures en cas d'accident. Faites appel à votre revendeur pour vous aider à sélectionner l'équipement adéquat.
- Portez des protège-oreilles homologués ayant un effet atténuateur suffisant. Une exposition prolongée au bruit risque de causer des lésions auditives permanentes.



- Utilisez des protections pour les yeux homologuées. L'usage d'une visière doit toujours s'accompagner du port de lunettes de protection homologuées. Par lunettes de protection homologuées, on entend celles qui sont en conformité avec les normes ANSI Z87.1 (États-Unis) ou EN 166 (pays de l'UE).



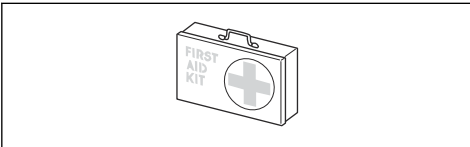
- Portez des gants de protection en cas de besoin, par exemple lorsque vous fixez, examinez ou nettoyez l'équipement de coupe.



- Portez des bottes de protection avec coques de protection en acier et des semelles antidérapantes.



- Portez des vêtements fabriqués dans un matériau résistant. Portez toujours des pantalons longs, épais et des manches longues. Ne portez pas de vêtements amples qui risqueraient de se prendre dans les brindilles et les branches. Ne portez pas de bijoux, de shorts, de sandales et ne marchez pas pieds nus. Attachez vos cheveux de façon sécurisée au-dessus de vos épaules.
- Gardez toujours une trousse de premiers soins à portée de main.



Dispositifs de sécurité sur l'accessoire



AVERTISSEMENT: Lisez les instructions qui suivent avant d'utiliser l'accessoire.

Ce chapitre présente les fonctions de sécurité de l'accessoire, leur but et les instructions de contrôle et d'entretien afin de garantir son bon fonctionnement. Consultez les instructions à la section *Présentation de l'accessoire à la page 92* pour savoir où se trouvent ces équipements sur votre accessoire.

La durée de vie de l'accessoire risque d'être écourtée et le risque d'accidents accru si l'entretien de l'accessoire n'est pas effectué correctement et si les mesures d'entretien et/ou de réparation ne sont pas effectuées de manière professionnelle. Pour plus d'informations, contactez l'atelier de réparation du revendeur le plus proche.



AVERTISSEMENT: N'utilisez jamais un accessoire dont les équipements de sécurité sont défectueux. Contrôlez et entretenez les équipements de sécurité de l'accessoire conformément aux instructions données dans ce chapitre. Si les contrôles de l'accessoire ne donnent pas de résultat positif, contactez votre agent d'entretien pour le faire réparer.



AVERTISSEMENT: L'entretien et la réparation du produit exigent une formation spéciale. Cela concerne particulièrement l'équipement de sécurité du produit. Si les contrôles suivants ne donnent pas un résultat positif, adressez-vous à un atelier spécialisé. L'achat de l'un de nos produits offre à l'acheteur la garantie d'un service et de réparations qualifiés. Si le point de vente n'assure pas ce service, adressez-vous à l'atelier spécialisé le plus proche.

Instructions de sécurité pour l'entretien



AVERTISSEMENT: Lisez les instructions qui suivent avant de procéder à l'entretien.



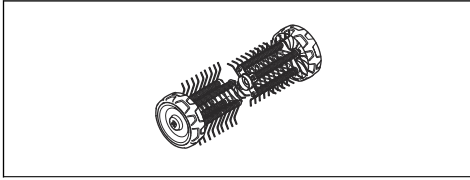
AVERTISSEMENT: Arrêtez toujours le produit avant tout entretien de l'accessoire. Attention, l'accessoire peut poursuivre son mouvement une fois la gâchette d'accélération/de puissance relâchée. Assurez-vous que l'accessoire est complètement immobilisé. Si vous avez utilisé un produit fonctionnant à l'essence, débranchez le câble HT de la bougie. Si vous disposez d'un produit alimenté par batterie, retirez la batterie.



AVERTISSEMENT: Portez toujours des gants de protection.

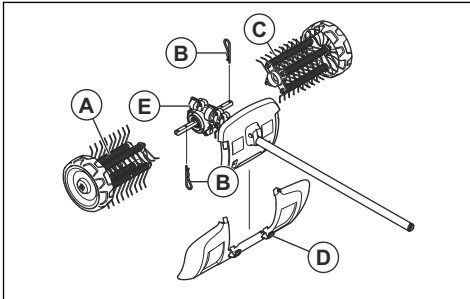
- Vérifiez intégralement l'appareil avant de commencer le travail. Vérifiez que tous les capots et caches de protection sont en place et solidement fixés. Contrôlez tous les écrous et boulons.
- Si votre produit fonctionne à l'essence, assurez-vous qu'il ne présente aucune fuite de carburant.

- Remplacez les pièces endommagées.



Montage

Montage de l'accessoire

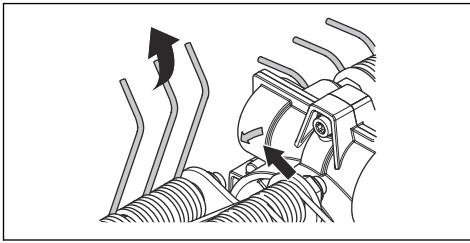


La flèche sur le carter indique le sens de rotation. Le carter doit être placé comme indiqué sur l'illustration.

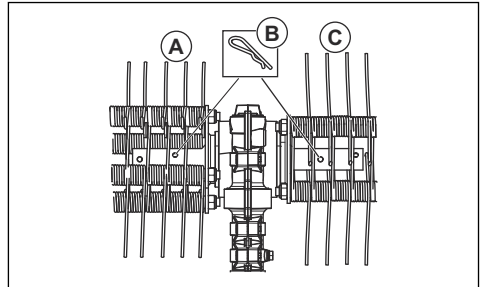
IMPORTANT:

Les rouleaux du démousseur sont marqués par des flèches indiquant le sens de rotation. Assurez-vous que les rouleaux du démousseur sont montés correctement.

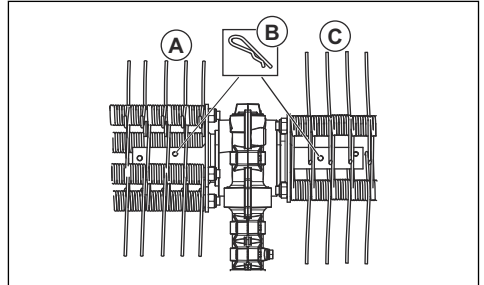
Les rouleaux du démousseur doivent être montés légèrement décalés l'un par rapport à l'autre. Les ressorts du démousseur doivent être orientés dans la même direction que la flèche indiquant le sens de rotation située sur le carter.



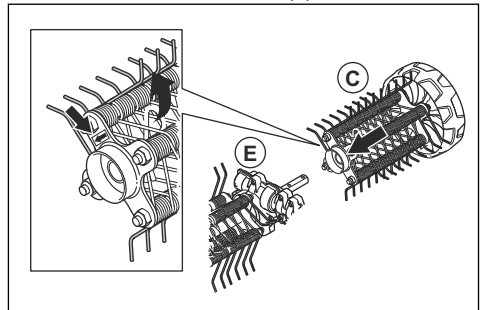
1. Poussez le démousseur gauche (A) sur l'arbre d'entraînement gauche du carter (E).



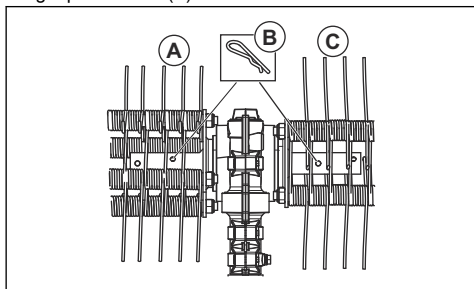
2. Fixez le rouleau du démousseur à l'aide d'une goupille fendue (B) dans l'orifice interne de l'arbre.



3. Poussez le démousseur droit (C) sur l'arbre d'entraînement droit du carter (E).



- Fixez le rouleau du démousseur à l'aide d'une goupille fendue (B) dans l'orifice interne de l'arbre.



- Montez le pare-boue avec les clips de fixation (D).

Remarque: Pour le montage des accessoires sur le produit de base, reportez-vous au manuel du produit de base.

Utilisation

Démarrage du produit lorsque le moteur est froid

Si votre produit fonctionne à l'essence, suivez ces instructions pour démarrer le produit lorsque le moteur est froid.

- Faites chauffer le produit de base, puis arrêtez-le.
- Montez l'accessoire conformément aux instructions de montage.
- Lors du réglage du carburateur, assurez-vous que le démousseur est maintenu contre le sol et que personne ne se trouve à proximité.
- Faites tourner le démousseur au ralenti.
- Contrôler que la poignée et les dispositifs de sécurité sont en bon état. N'utilisez jamais un produit dont une pièce est manquante ou ayant été modifié contrairement aux spécifications.

Utilisation de l'accessoire

- Faites tourner le démousseur à plein régime (ou presque) en faisant reposer les roues sur la surface.

Remarque: Il est à la fois fatigant et inutile de lever ou maintenir le démousseur au-dessus de la surface lorsque vous l'utilisez.

- Conservez un petit angle de travail par rapport à la surface. Avec un angle de travail trop grand, le démousseur a tendance à se déplacer vers vous, vous risqueriez alors de perdre le contrôle du produit.



Entretien

Introduction

Nous donnons ici quelques conseils d'entretien à caractère général. Pour plus d'informations, contacter l'atelier de réparation.

Entretien de l'accessoire



REMARQUE: Le démousseur est souvent utilisé dans des conditions poussiéreuses. Si votre produit fonctionne à l'essence, le filtre à air doit impérativement être contrôlé régulièrement, chaque jour en règle générale. Il doit également être lubrifié pour fonctionner correctement.

Reportez-vous au manuel de l'opérateur du bloc d'alimentation pour obtenir des instructions d'entretien.



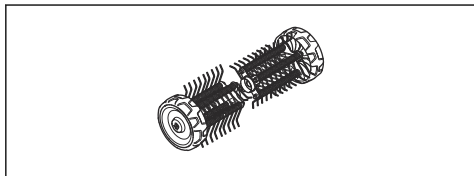
AVERTISSEMENT: Portez toujours des gants de protection pour effectuer l'entretien de l'accessoire.



AVERTISSEMENT: Après l'utilisation du produit, le carter d'engrenage est chaud. Ne pas toucher l'engrenage afin d'éviter les brûlures.

1. Assurez-vous que le démousseur ne tourne pas lorsque la gâchette d'accélération/de puissance est relâchée.

2. Nettoyez les roues si elles ne tournent pas librement.



Transport, entreposage et mise au rebut

Transport et rangement

En cas de transport de l'accessoire sur un autre véhicule, utilisez toujours des dispositifs d'arrimage approuvés et assurez-vous que l'accessoire est bien maintenu.

Avant de remiser l'accessoire pour une période prolongée, veillez à ce qu'il soit bien nettoyé et que toutes les mesures d'entretien aient été effectuées.

Caractéristiques techniques

Caractéristiques techniques pour produits fonctionnant à l'essence

Démousseur	DT600
Largeur, mm	556
Poids	
Poids, kg	6,5
Émissions sonores ⁵⁵	
Niveau de puissance sonore, mesuré dB(A)	105
Niveau de puissance acoustique, garanti L_{WA} dB(A)	109
Niveaux sonores ⁵⁶	
Pression sonore équivalente au niveau des oreilles de l'opérateur, mesurée selon la norme EN ISO 22868, dB(A) :	95
Vibrations ⁵⁷	
Niveaux de vibrations équivalents ($a_{hv,eq}$) mesurés au niveau des poignées selon EN ISO 22867, en m/s^2	

⁵⁵ Mesure effectuée avec des accessoires homologués Husqvarna. Émissions sonores dans l'environnement mesurées comme puissance sonore (L_{WA}) selon la directive européenne CE 2000/14/CE. Le niveau de puissance sonore reporté pour la machine a été mesuré avec l'équipement de coupe d'origine qui donne le niveau le plus élevé. Le niveau de puissance sonore garanti diffère du niveau mesuré en cela qu'il prend également en compte la dispersion et les variations d'une machine à l'autre du même modèle, conformément à la directive 2000/14/CE.

⁵⁶ Mesure effectuée avec des accessoires homologués Husqvarna. Les données reportées pour le niveau de pression sonore équivalent pour la machine montrent une dispersion statistique typique (déviations standard) de 1 dB (A).

⁵⁷ Mesure effectuée avec des accessoires homologués Husqvarna. Les données reportées pour le niveau de vibrations équivalent montrent une dispersion statistique type (déviations standard) de 1 m/s^2 .

Démousseur	DT600
Poignées avant/arrière	6,2/4,3

Caractéristiques techniques pour produits alimentés par batterie

325ILK + Accessoire pour démousseur DT600	
Largeur, mm	556
Poids	
Poids, kg	2,3+6,5
Émissions sonores ⁵⁸	
Niveau de puissance sonore, mesuré dB(A)	89
Niveaux sonores ⁵⁹	
Pression sonore au niveau des oreilles de l'opérateur, mesurée selon la norme EN ISO 22868, dB (A) :	77
Vibrations ⁶⁰	
Niveau de vibration au niveau des poignées mesuré selon la norme EN 62841-1 en m/s ²	
Poignées avant/arrière	1,9/2,6
Équipée d'un accessoire homologué (d'origine), gauche/droite	1,9/2,6

⁵⁸ Les données reportées concernant le niveau de puissance sonore de la machine montrent une dispersion statistique typique (déviation standard) de 3 dB(A) et ont été mesurées avec l'accessoire d'origine qui donne le niveau le plus élevé.

⁵⁹ Les données reportées concernant le niveau de pression sonore de la machine montrent une dispersion statistique typique (déviation standard) de 3 dB(A) et ont été mesurées avec l'accessoire d'origine qui donne le niveau le plus élevé.

⁶⁰ Les données reportées pour le niveau de vibrations montrent une dispersion statistique typique (déviation standard) de 2 m/s². Pour comparer les niveaux de vibrations, la batterie et les produits de combustion utilisent le calculateur de vibrations. <https://www.husqvarna.com/fr/services-solutions/calculateur-de-vibrations/>.

Déclaration de conformité

Déclaration de conformité UE

Nous, **Husqvarna AB**, SE-561 82 Huskvarna, Suède,
tél : +46-36-146500, déclarons sous notre entière
responsabilité que le produit :

Description	Émousseur
Marque	Husqvarna
Type/Modèle	DT600
Identification	Les numéros de série à partir de 2022 et ultérieurs

est entièrement conforme à la réglementation et aux
directives de l'UE suivantes :

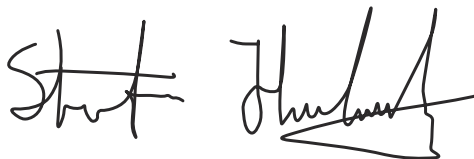
Directive/Réglementation	Description
2006/42/EC	« relative aux machines »
2000/14/EC	« relative aux émissions sonores dans l'environnement »
2011/65/UE	« relative à la limitation de l'utilisation de certaines substances dangereuses au sein d'équipements électriques et électroniques »

et que les normes et/ou les spécifications techniques
suivantes sont appliquées : EN ISO 12100:2010, EN
IEC 63000:2018

RISE SMP Svenska Maskinprovning AB, Box 7035,
SE-750 07 Uppsala, Sweden a procédé à des examens
volontaires pour le compte de Husqvarna AB.

Numéro de certificat : SEC/15/2411

Huskvarna , 2022-03-14



Stefan Holmberg, Directeur R&D, gestion de la
technologie, Husqvarna AB

Responsable de la documentation technique



TARTALOMJEGYZÉK

Bevezető.....	102	Karbantartás.....	108
Biztonság.....	103	Szállítás, tárolás és ártalmatlanítás.....	109
Összeszerelés.....	107	Műszaki adatok.....	109
Üzemeltetés.....	108	Megfelelőségi nyilatkozat.....	111

Bevezető

Termékleírás

Folyamatosan fejlesztjük termékeinket, ezért fenntartjuk a jogot a termékek kialakításának és megjelenésének előzetes figyelmeztetés nélküli megváltoztatására.

Megjegyzés: A jelen kézikönyv a benzines és az akkumulátoros tápegységekre egyaránt vonatkozik.

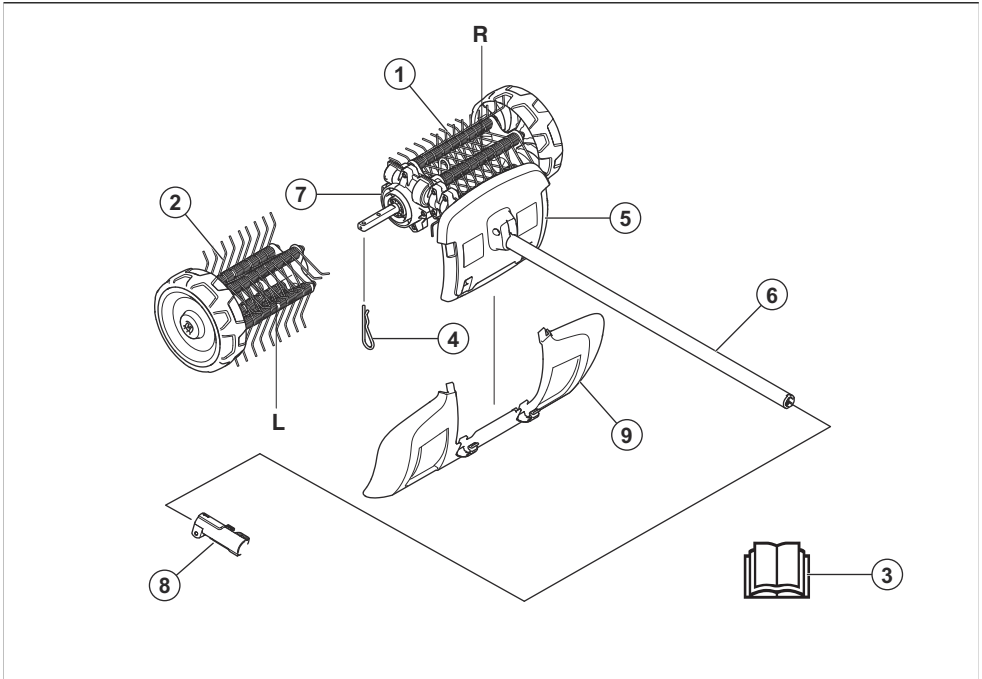
Rendeltetésszerű használat



FIGYELMEZTETÉS: Ez a tartozék csak a megadott termékkel együtt használható, lásd a tartozék fejezetet a termék használati utasításában.

A tartozék kizárólag arra szolgál, hogy a gyepfelületeket megtisztítsa a mohától.

A tartozék áttekintése



1. Mohagereblyező, jobb
2. Mohagereblyező, bal
3. Használati utasítás
4. Saszeg
5. Védőburkolat (nyélen elhelyezett védelem)
6. Nyél
7. Sebváltóház
8. Nyélcsatlakozó (mellékelve a termékhez)
9. Freccsenésvédő

A tartozék és a tápegység szimbólumai



A tartozék nem körültekintő vagy helytelen használata a kezelő vagy más személyek súlyos vagy halálos sérülését okozhatja.



Olvassa el figyelmesen a használati utasítást, és győződjön meg róla, hogy megértette azt a tartozék használatba vétele előtt.



Használjon jóváhagyott hallásvédőt. Használjon jóváhagyott szemvédőt. Por veszélye esetén viseljen porvédő maszkot.



Ez a tartozék megfelel a vonatkozó EK irányelveknek.



A termék megfelel a vonatkozó egyesült királyságbeli irányelveknek.



Forgó alkatrészek. Tartsa kezét és lábát biztonságos távolságban. A nyíl a forgásirányt jelzi.



Használjon mindig megfelelő védőkesztyűt.



Használjon stabil, nem csúszós csizmát.



Legyen óvatos a kivetett és visszapattnó tárgyakkal.



A kezelő ügyeljen arra, hogy se ember, se állat ne jöjjön 15 m-nél közelebb. Ha ugyanazon a munkaterületen többen is dolgoznak, legalább 15 méteres biztonsági távolságot kell tartani. A tartozék nagy erővel fújhat ki tárgyakat, amelyek visszapattnak. Ez a javasolt biztonsági felszerelés használatának mellőzése esetén súlyos szemsérülést okozhat.



A termék használata közben tartson legalább 15 méteres (50 láb) távolságot az emberektől és az állatoktól.



Minden testrészét tartsa távol a forró felületektől.



Az EU és az Egyesült Királyság irányelveinek és jogszabályainak, és New South Wales „Környezetben történő munkavégzés szabályozása (zajszabályozás), 2017” irányelvének megfelelő környezeti zajkibocsátási címke. A termék garantált hangteljesítményszintjére vonatkozó adatok megtalálhatók az alábbi részen: *Műszaki adatok 109. oldalon* és a címkén.

Megjegyzés: A tartozékon szereplő többi jel/címke egyes piacok specifikus vizsgáztatási követelményeire vonatkozik.

Biztonság

Biztonsági meghatározások

A figyelmeztetések, óvintézkedések és megjegyzések a használati utasítás kiemelten fontos részeire hívják fel a figyelmet.



FIGYELMEZTETÉS: Akkor használatos, ha a kézikönyv utasításainak be nem tartása esetén fennáll a kezelő vagy a közelben tartózkodók sérülésének vagy halálának veszélye.



VIGYÁZAT: Akkor használatos, ha a kézikönyv utasításainak be nem tartása esetén fennáll a vagyoni kár, illetve a termék és/vagy a tartozék vagy a környező területen lévő anyagok károsodásának veszélye.

Megjegyzés: További információt biztosít az adott helyzetben szükséges tennivalókról.

Általános biztonsági utasítások



FIGYELMEZTETÉS: A tartozék használata előtt olvassa el a biztonsági utasításokat.

- Olvassa el figyelmesen a használati utasítást, és győződjön meg róla, hogy megértette azt a tartozék használatba vétele előtt.
- Ezek az utasítások a termékkel kapott utasítások kiegészítésül szolgálnak. A többi eljárást a termék használati utasításában találja meg.
- A tartozék kivitelezésén a gyártó cég engedélye nélkül semmilyen módosítást sem szabad végezni. Ne használjon olyan tartozékot, amelyet esetleg módosítottak, és mindig eredeti kiegészítőket használjon. Nem engedélyezett módosítások és/vagy pótalkatrészek komoly sérülésekhez vagy halálos balesetekhez vezethetnek.

Minden utasítást olvasson el



FIGYELMEZTETÉS: Elektromos kerti készülékek használata esetén a tűz, az áramütés és a személyi sérülések kockázatának csökkentése érdekében mindig be kell tartani az alapvető biztonsági óvintézkedéseket, beleértve a következőket:

A gereblyézőre vonatkozó biztonsági utasítások

- Soha ne engedje, hogy a terméket gyermekek, csökkent fizikai, érzékelési vagy mentális képességekkel rendelkező, a szükséges tapasztalattal és tudással nem rendelkező, illetve a jelen utasításokat nem ismerő személyek használják. A helyi rendelkezések adott esetben kezelési korhatárt szabhatnak meg.
- Soha ne használja a terméket, ha más személyek – különösen gyermekek vagy háziállatok – vannak a közelben.
- Ne nyújtózkodjon a géppel, és ügyeljen az egyensúly megőrzésére. Ügyeljen a talajra, különösen a lejtőknel, valamint ne fusson, csak sétáljon.
- Ne érjen a veszélyes mozgó alkatrészekhez, amíg a gépet ki nem húzta a hálózathoz, és a veszélyes mozgó alkatrészek teljesen le nem álltak.
- A gép használatához mindig húzzon zárt lábbelit és hosszú szárú nadrágot.
- Ha a terméket felügyelet nélkül hagyja, illetve az eltömődések elhárítása és a termék tisztítása vagy karbantartása előtt vegye ki az akkumulátort a termékből.
- Ha a termék például egy idegen tárgyba ütközik vagy rendellenes vibrálásba kezd, a termék esetleges sérüléseinek ellenőrzése előtt vegye ki az akkumulátort a termékből.

- Ne csatlakoztasson sérült kábelt a tápegységhez, és a leválasztás előtt ne érjen hozzá a tápegységhez csatlakozó, sérült kábelhez. A sérült kábelben keresztül a kezelő érintkezhet a feszültség alatt álló alkatrészekkel, ami akár halálos sérüléshez is vezethet.
- Soha ne működtesse a terméket hibás védőburkolatokkal, biztonsági eszközök nélkül, valamint sérült vagy kopott kábelekkel.
- Tartsa távol a hosszabbítókábeleket a veszélyes mozgó alkatrészekről, amelyek a kábelek sérülését okozhatják, ezáltal pedig a kezelő érintkezhet a feszültség alatt álló alkatrészekkel.
- A terméket kizárólag olyan tápegységhez csatlakoztassa, amely rendelkezik egy legalább 30 mA kikapcsolóáramra szabályozott érintésvédelmi relével (RCD).
- Rossz időjárási körülmények esetén – főleg villámáskor – ne használja a terméket.

Biztonsági utasítások az üzemeltetéshez

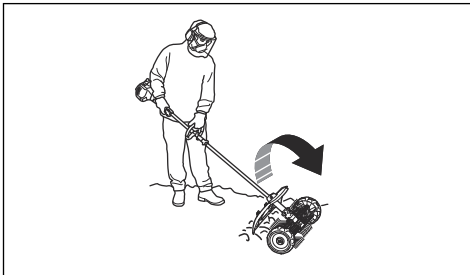


FIGYELMEZTETÉS: A termék használata előtt olvassa el az alábbi figyelmeztetéseket.

- A leállító kapcsoló automatikusan visszaáll indító pozícióba. Ügyeljen arra, hogy az összeszereléskor, ellenőrzéskor vagy karbantartáskor ne indítsa be véletlenül a terméket. Amennyiben benzines termékkel dolgozik, csatlakoztassa le a gyertyapipát a gyújtógyertyáról. Amennyiben a termék akkumulátoros, távolítsa el az akkumulátort.
- Vigyázzon a felcsapódó tárgyaktól. Mindig használjon szemvédőt. Soha ne hajtson át a mohagereblyézőn. Kövek, szemét stb. kerülhetnek a szembe és vakságot illetve súlyos sérüléseket okozhatnak.
- A használat során és után a váltómű meleg lehet. Érintés esetén égési sérülés veszélye áll fenn.
- Bár a kefedobok teljesítménye nem azonos például egy fűnyíró pengéjével, ne dolgozzon olyan anyagokkal, amelyek kivetődésük esetén személyi sérülést vagy anyagi károkat okozhatnak.
- Ne használja a gépet olyan körülmények között, amelyeknél baleset esetén nem lenne lehetősége segítséget hívni.
- Kizárólag a rendeltetésének megfelelően használja a gépet.
- Soha ne használja a gépet, ha fáradt, ha szeszesealt fogyasztott, vagy ha olyan gyógyszert szed, amely befolyásolhatja a látását, az ítélőképességét vagy a koordinációs képességét.
- Ne használja a gépet szélsőséges időjárási körülmények között, például nagy hidegben illetve nagy melegben és/vagy páras éghajlaton.
- Soha ne használjon olyan gépet, amely hibás. Végezze el az ebben a használati

utasításban előírt ellenőrzési, karbantartási és szervizmunkákat. Bizonyos karbantartási és szervizmunkákat szakembernek kell végrehajtania. Lásd a Karbantartás című fejezetben leírtakat.

- Soha ne engedje, hogy a gépet gyermek használja.
- Soha ne engedje meg senkinek a gép használatát, amíg nem győződött meg arról, hogy az illető elolvasta és megértette a kezelői kézikönyv tartalmát.
- Tartsa az illetéktelen személyeket biztonságos távolságban. A gyermekek, állatok, nézelődők és segítők maradjanak a 15 m-es biztonsági zónán kívül. Állítsa le a gépet azonnal, ha valaki közelít.
- Ha munka közben elbizonytalanodik a munka folytatását illetően, kérje szakember tanácsát. Forduljon kereskedőhöz vagy márkaszervizhez.
- Ne használja a gépet olyan feladatok elvégzésére, amelyekhez úgy véli, nem rendelkezik elegendő szakértelemmel.
- Vizsgálja meg környezetét és győződjön meg róla, hogy sem ember, sem állat nem kerülhet kapcsolatba Önnel, illetve nem befolyásolhatja a termék feletti uralmát.
- Amikor fülvédőt visel, mindig figyeljen a figyelmeztető jelzésekre és hangokra. A motor leállítása után azonnal vegye le a fülvédőket.
- Ne használja a gépet rossz időben, például sűrű ködben, erősen zuhogó esőben, erős szélben vagy nagy hidegben. A hideg időben végzett munka fárasztó, és gyakran kockázatokkal jár (például jeges talaj).
- Gondoskodjon arról, hogy biztonságosan tudjon járni és állni. Nézzon körül és ellenőrizze lehetséges akadályok (például gyökerek, kövek, gödrök, árkok, stb.) jelenlétét, arra az esetre, ha hirtelen el kellene mozdulnia. Járjon el nagyon óvatosan, amikor lejtős talajon dolgozik.



- Mielőtt a gépet másik helyre vinné át, állítsa le a motort.
- Járó motorral soha ne tegye le a gépet, hacsak nem tudja szemmel tartani azt.
- Mindig két kézzel tartsa a gépet. Tartsa a gépet az oldala mellett.
- Ügyeljen arra, hogy keze és lába ne érjen a mohagereblyézőhöz, amikor a motor jár.

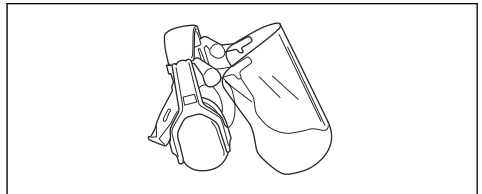
- A motor kikapcsolása után se a kezével, se a lábával ne érjen a mohagereblyézőhöz, amíg az teljesen le nem áll.
- Ha erős rezgést észlel, azonnal állítsa le a gépet. Amennyiben benzines termékkel dolgozik, távolítsa el a HT vezetékét a gyújtógyertyából. Amennyiben a termék akkumulátoros, távolítsa el az akkumulátort. Ellenőrizze, hogy a gép sértetlen-e. Javítson ki minden sérülést.

Személyi védőfelszerelés

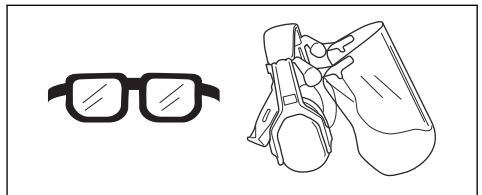


FIGYELMEZTETÉS: A termék használata előtt olvassa el az alábbi figyelmeztetéseket.

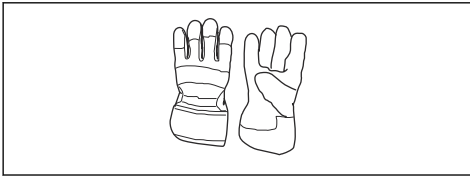
- A termék használata során viseljen jóváhagyott személyi védőfelszerelést. A személyi védőfelszerelés nem küszöböli ki teljes mértékben a sérülés kockázatát, de csökkenti a sérülés mértékét, ha bekövetkezik a baleset. A megfelelő felszerelés kiválasztásában kérje a kereskedő segítségét.
- Használjon elegendő hangtompító hatással rendelkező, jóváhagyott fülvédőt. Hosszú távon a tartós zajártalom maradandó halláskárosodást okozhat.



- Használjon jóváhagyott védőszemüveget. Ha arcvédőt használ, jóváhagyott védőszemüveget is kell viselnie. Jóváhagyott védőszemüvegek azok, amelyek megfelelnek az ANSI Z87.1 (USA) illetve EN 166 (EU-országok) szabványoknak.



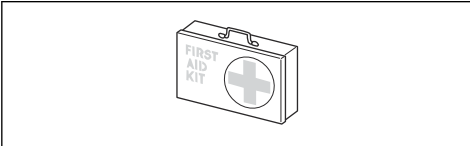
- Ha szükséges, viseljen kesztyűt – például a vágószerszék felhelyezésekor, ellenőrzésekor vagy tisztításakor.



- Használjon acélemezes lábujjvédős és csúszásgátlós védőbakancsot.



- Viseljen sűrű szövésű anyagból készült ruházatot. Vastag, hosszú nadrágot és hosszú ujjú felsőrészt viseljen. Ne viseljen bő ruházatot, mert az beakadhat a gallyakba és a bokrok ágaiba. Ne viseljen ékszereket, rövidnadrágot, szandált, illetve ne legyen meztláb. Igazítsa haját vállmagasság fölé.
- Tartson elsősegélykészletet a közelben.



Biztonsági eszközök a tartozékon



FIGYELMEZTETÉS: A tartozék használata előtt olvassa el az alábbi figyelmeztetéseket.

Ez a fejezet a tartozék biztonsági funkciót és azok rendeltetését tartalmazza, valamint azt, hogy miként kell a megfelelő üzemelés biztosítása érdekében ellenőrzéseket és karbantartást végezni. A tartozék részegységeinek helyével kapcsolatban lásd a(z) *A tartozék áttekintése 102. oldalon* című fejezetben szereplő utasításokat.

A tartozék élettartama lecsökkenhet, a balesetveszély pedig megnövekedhet, ha a tartozék karbantartását nem megfelelően hajtják végre, illetve ha a szervizt és/vagy a javításokat nem szakszerűen végzik. Ha további információra van szüksége, vegye fel a kapcsolatot a legközelebbi szervizszolgáltatóval.



FIGYELMEZTETÉS: Soha ne használja a tartozékot hibás biztonsági felszerelésekkel. A tartozék biztonsági felszerelésének ellenőrzését és

karbantartását a jelen fejezetben leírtak szerint kell elvégezni. Ha az Ön tartozéka nem felel meg az alábbi vizsgálatok valamelyikén, forduljon szervizműhelyéhez.



FIGYELMEZTETÉS: A termék szervizeléséhez és javításához speciális szakmai képzésre van szükség. Ez különösen érvényes a termék biztonsági felszereléseire. Ha az Ön terméke nem felel meg az alábbi vizsgálatok valamelyikénél, akkor forduljon szervizműhelyéhez. Bármely termékünk megvásárlásakor garantáljuk a szakképzett javítást és szervizelést. Ha a terméket nem szervizműhellyel rendelkező szakkereskedőtől vásárolta, akkor kérje el tőle a legközelebbi szervizműhely címét.

Biztonsági utasítások a karbantartáshoz



FIGYELMEZTETÉS: A termékén végzett karbantartási műveletek előtt olvassa el az alábbi figyelmeztetéseket.

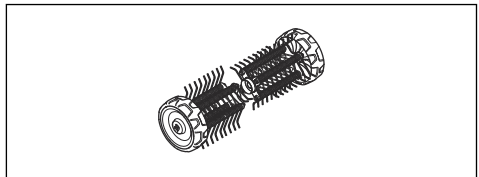


FIGYELMEZTETÉS: A tartozékon végzett munkálatok megkezdése előtt mindig állítsa le a terméket. Legyen óvatos: a tartozék a kapcsológomb/gázadagoló felengedése után még tovább járhat. Győződjön meg arról, hogy a tartozék teljesen leállt-e. Amennyiben benzinestermékkel dolgozik, távolítsa el a HT vezetéket a gyújtógyertyából. Amennyiben a termék akkumulátoros, távolítsa el az akkumulátort.



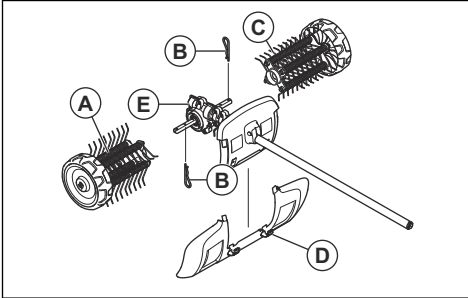
FIGYELMEZTETÉS: Mindig viseljen védőkesztyűt.

- A munka megkezdése előtt ellenőrizze a teljes terméket. Ellenőrizze, hogy minden védőburkolat és fedél a helyén van-e, és megfelelően van-e rögzítve. Húzza meg a csavarokat és az anyákat.
- Ha benzinesterméket használ, ellenőrizze, hogy nem szivároog-e az üzemanyag.
- Cserélje a sérült alkatrészeket.



Összeszerelés

A vágófelszerelés összeszerelése

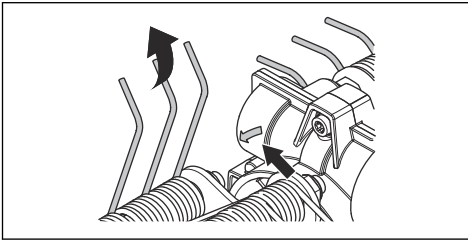


A váltóházon látható nyíl a forgásirányt jelzi.
A váltóházat az ábrázolt módon kell elhelyezni.

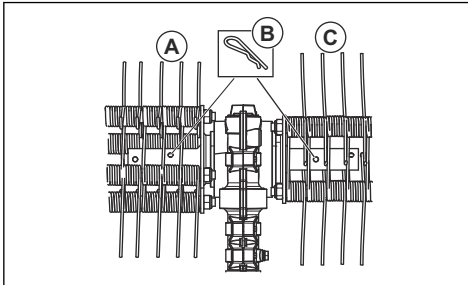
FONTOS:

A mohagereblyező görgői a forgásirányt jelző nyilakkal vannak megjelölve. Győződjön meg arról, hogy a mohagereblyező görgőinek felszerelése megfelelően történt.

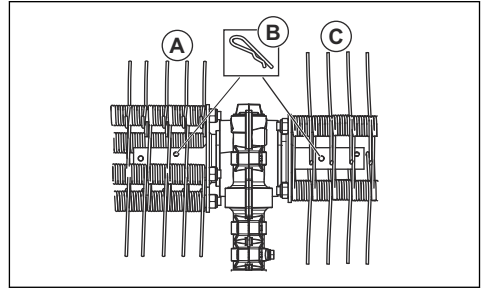
A mohagereblyező görgőit egymáshoz képest kissé eltolva kell felszerelni. A mohagereblyező rugóinak azonos irányba kell mutatniuk a váltóházon lévő, forgásirányt jelző nyállal.



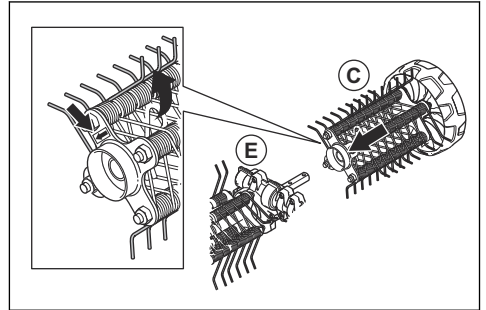
1. Nyomja a bal oldali mohagereblyezőt (A) a váltóházhoz (E) képest bal oldalon lévő hajtótengelyre.



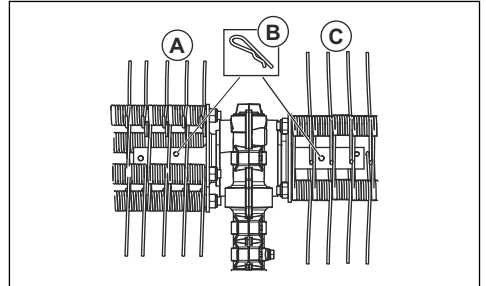
2. Rögzítse a mohagereblyezőt sasszeg (B) segítségével a tengely belső furatába.



3. Nyomja a jobb oldali mohagereblyezőt (C) a váltóházhoz (E) képest jobb oldalon lévő hajtótengelyre.



4. Rögzítse a mohagereblyezőt sasszeg (B) segítségével a tengely belső furatába.



5. Szerelje fel a freccsenésvédőt a gyorskapcsok segítségével (D).

Megjegyzés: Az alaptermék tartozékainak összeszereléséhez lásd az alaptermék kézikönyvét.

Üzemeltetés

A termék hideg motorral való elindítása

Benzines termék használata esetén a termék hideg motorral történő indításához kövesse az alábbi utasításokat.

1. Végezze el a termék alapvető bemelegítését, majd állítsa le a terméket.
2. A tartozékat az összeszerelési útmutatóban található utasítások szerint szerelje fel.
3. A karburátor beállításakor a gereblyézőt szorítsa a földre, és ügyeljen arra, hogy senki ne tartózkodjon a közelben.
4. Tartsa a mohagereblyézőt üresjárati fokozatban.
5. Győződjön meg róla, hogy a fogantyú és a biztonsági funkciók megfelelő üzemi állapotban vannak-e. Soha ne használja a gépet hiányzó, vagy a specifikációhoz képest módosított alkatrészekkel.

A tartozék használata

1. Járassa a mohagereblyézőt teljes gázon (vagy majdnem teljes gázon) úgy, hogy a kerekek a felületen maradnak.

Megjegyzés: Nemcsak fárasztó, de szükségtelen is a mohagereblyézőt elemelni vagy a felület felett tartani a gép működése közben.

2. Munka közben az eszközt a felülethez képest hegyes szögben tartsa. Nagy munkaszög esetén a mohagereblyéző hajlamos a kezelő irányába mozdulni, ami a termék feletti uralom elvesztésének veszélyével járhat.



Karbantartás

Bevezető

Alább néhány általános karbantartási utasítást talál. További információkért forduljon az illetékes szakszervizhez.

A tartozék karbantartása



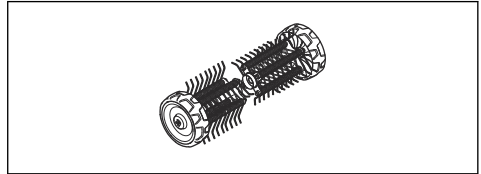
VIGYÁZAT: A mohagereblyézőn végzett munkálatokra gyakran poros környezetben kerül sor. Benzines termék esetén rendkívül fontos a levegőszűrő rendszeres, gyakran naponta végzett ellenőrzése és olajozása a megfelelő működés érdekében.

A karbantartási utasításokért tekintse át a tápegység használati utasításait.



FIGYELMEZTETÉS: A sebváltóház a termék használata közben felforrósodik. Ne érjen a sebváltóházhoz, különben megégetheti magát.

1. Ellenőrizze, hogy nem forog-e a mohagereblyéző a kapcsológomb/gázadagoló elengedésekor.



2. Tisztítsa meg a kerekeket, ha nem forognak szabadon.



FIGYELMEZTETÉS: A tartozékon végzett karbantartáshoz mindig viseljen védőkesztyűt.

Szállítás, tárolás és ártalmatlanítás

Szállítás és tárolás

A vágófelszerelés szállítása esetén mindig jóváhagyott rögzítőberendezéseket használjon, és gondoskodjon a vágófelszerelés megfelelő rögzítéséről.

Mielőtt a vágófelszerelést hosszabb időre használaton kívül helyezné, tisztítsa meg alaposan, és végeztesse el teljes szervizét.

Műszaki adatok

A benzines termékekre vonatkozó műszaki adatok

Mohagereblyező	DT600
Szélesség (mm)	556
Tömeg	
Tömeg, kg	6,5
Zajkibocsátás ⁶¹	
Hangteljesítményszint, mért dB (A) érték	105
Hangteljesítményszint, garantált , L _{WA} dB (A)	109
Zajszintek ⁶²	
A kezelő hallószervére gyakorolt, EN ISO 22868 szerint mért hangnyomásszint, dB(A):	95
Rezgés ⁶³	
Az EN ISO 22867 szerint mért ekvivalens rezgésszintek (a _{h_v,eq}) a fogantyún, m/s ²	
Első/hátsó fogantyú	6,2/4,3

Az akkumulátoros termékekre vonatkozó műszaki adatok

325iLK + DT600 gyeplazító tartozék	
Szélesség (mm)	556
Tömeg	
Tömeg, kg	2,3+6,5

⁶¹ Eredeti Husqvarna tartozékokkal együtt mérve. A környezetben a 2000/14/EK sz. EK irányelvvel összhangban hangteljesítményként mért zajkibocsátás (L_{WA}). A gép jelentésben szereplő hangteljesítményszintjét a legmagasabb szintet produkáló eredeti vágófelszereléssel mérték. A garantált és a mért hangteljesítmény közötti különbségnek az az oka, hogy a garantált hangteljesítmény tartalmazza a mérési eredményben lévő ingadozást és az azonos modellű gépek közti eltéréseket is a 2000/14/EK jelű irányelv értelmében.

⁶² Eredeti Husqvarna tartozékokkal együtt mérve. A gép ekvivalens hangnyomásszintjére vonatkozó jelentési adatok az 1 dB (A) tipikus statisztikus ingadozásával (szórásával) rendelkeznek.

⁶³ Eredeti Husqvarna tartozékokkal együtt mérve. Az ekvivalens rezgésszintre vonatkozó jelentési adatok az 1 m/s² tipikus statisztikus ingadozásával (szórásával) rendelkeznek.

325iLK + DT600 gyeplazító tartozék	
Zajkibocsátás ⁶⁴	
Hangteljesítményszint, mért dB (A) érték	89
Zajszintek ⁶⁵	
A kezelő hallószervére gyakorolt, EN ISO 22868 szerint mért hangnyomásszint, dB (A):	77
Rezgés ⁶⁶	
Az EN 62841-1 szerint mért rezgésszintek a fogantyúban, m/s ²	
Első/hátsó fogantyú	1,9/2,6
Jóváhagyott tartozékokkal ellátva (eredeti), bal/jobbs	1,9/2,6

⁶⁴ A gép hangteljesítményszintjére vonatkozó jelentési adatok a 3 dB (A) tipikus statisztikus ingadozásával (szórásával) rendelkeznek. A hangteljesítményszint mérése a legmagasabb szintet produkáló eredeti felszereléssel történt.

⁶⁵ A gép hangnyomásszintjére vonatkozó jelentési adatok a 3 dB (A) tipikus statisztikus ingadozásával (szórásával) rendelkeznek. A hangnyomásszint mérése a legmagasabb szintet produkáló eredeti felszereléssel történt.

⁶⁶ A rezgésszintre vonatkozó jelentési adatok az 2 m/s² tipikus statisztikus ingadozásával (szórásával) rendelkeznek. A rezgésszintek, valamint az akkumulátorral, illetve az üzemanyaggal működő termékek összehasonlításához használja a rezgésterhelési kalkulátort. <https://www.husqvarna.com/uk/services-solutions/vibration-calculator/>.

Megfelelőségi nyilatkozat

EU megfelelési nyilatkozat

A **Husqvarna AB**, SE-561 82 Huskvarna, Sweden (tel.: +46-36-146500), a saját felelősségére kijelenti, hogy a termék:

Leírás	Mohagereblyéző
Márka	Husqvarna
Típus/modell	DT600
Megjelölés	2022-as és újabb sorozatszámok

teljes mértékben megfelelnek a következő EU-irányelveknek és szabályozásoknak:

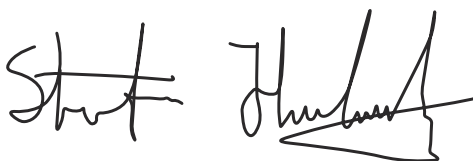
Irányelv/rendelet	Leírás
2006/42/EK	„gépre vonatkozó”
2000/14/EK	„környezeti zajkibocsátásra vonatkozó”
2011/65/EU	„az egyes veszélyes anyagok elektromos és elektronikus berendezésekben való alkalmazásának korlátozására vonatkozó”

valamint hogy az alábbi szabványok és/vagy műszaki előírások kerültek alkalmazásra: EN ISO 12100:2010, EN IEC 63000:2018

Az RISE SMP Svenska Maskinprovning AB, Box 7035, SE-750 07 Uppsala, Sweden önkéntes típusvizsgálatot végzett a Husqvarna AB nevében.

Tanúsítvány száma: SEC/15/2411

Huskvarna, 2022-03-14



Stefan Holmberg, K+F igazgató, Technológiai menedzsment, Husqvarna AB

A műszaki dokumentációk felelőse



TURINYS

Įvadas.....	112	Techninė priežiūra.....	118
Sauga.....	113	Transportavimas, saugojimas ir utilizavimas.....	118
Surinkimas.....	117	Techniniai duomenys.....	119
Naudojimas.....	118	Atitikties deklaracija.....	121

Įvadas

Gaminio aprašas

Mes nuolat siekiame tobulinti savo gaminius, pasilikdami sau teisę keisti jų formą ir išvaizdą be išankstinio pranešimo.

Pasižymėkite: Šiame vadove apžvelgiami tiek benzininis, tiek akumuliatorinis gaminys.

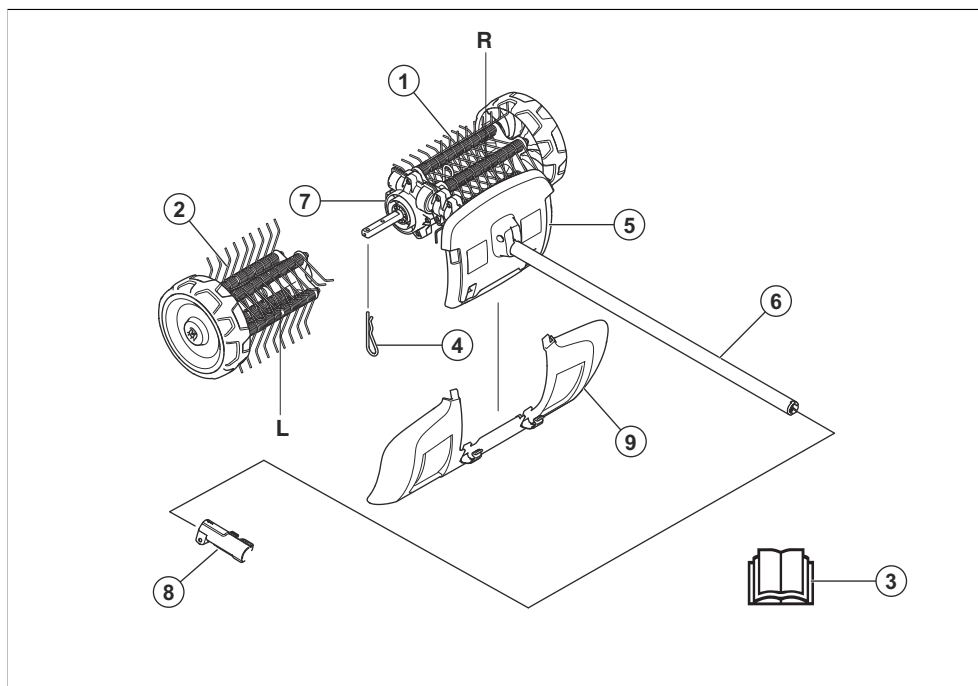
Priedo apžvalga.

Naudojimas



PERSPĖJIMAS: Šį įtaisą galima naudoti tik su įrenginiu, kuriam jis yra skirtas. Žr. įrenginio naudojimo instrukcijos skyrių apie įtaisą.

Priedas skirtas tik vejos samanoms purenti.



1. Samanų skarifikatorius, dešinysis
2. Samanų purentuvus, kairysis
3. Operatoriaus vadovas
4. Išardomasis kaištis
5. Apsaugas (veleno apsauga)
6. Velenas
7. Pavaros korpusas
8. Veleno mova (pateikiam su gaminiu)
9. Purvasaugis

Simboliai ant įtaiso ir maitinimo bloko



Aplaidžiai ar netinkamai naudojant šį priedą gali būti sunkiai ar net mirtinai sužeistas naudotojas ar kiti žmonės.



Prieš naudodami priedą atidžiai perskaitykite naudojimo instrukciją ir įsitinkinkite, ar viską gerai supratote.



Naudokite patvirtintas apsaugines ausines. Naudokite patvirtintas akių apsaugos priemones. Jei yra tikimybė, kad gali atsirasti dulkių, naudokite respiratorių.



Šis įtaisas atitinka jam taikomas EB direktyvas.



Šis gaminytis atitinka taikytinų JK reglamentų nuostatas.



Sukamosios dalys. Saugokite rankas ir kojas. Rodyklė nurodo sukimosi kryptį.



Visada mėvėkite patvirtintas apsaugines pirštines.



Avėkite tvirtus, neslystančius batus.



Saugokitės svaidomų ir rikošetu atšokusių daiktų.



Operatorius privalo įsitikinti, kad arčiau kaip 15 m nėra žmonių ar gyvūnų. Kai toje pačioje vietoje dirba keli operatoriai, turi būti užtikrintas ne mažesnis kaip 15 m saugus atstumas. Įtaisas gali stipriai išsviesti objektus, kurie gali atšokti atgal, ir sunkiai sužaloti akis, jeigu nenaudojate rekomenduojamos saugos įrangos.



Naudodami įrenginį laikykitės ne mažesniu kaip 15 m / 50 pėd. atstumu nuo žmonių ir gyvūnų.



Jokia kūno dalimi nesilieskite prie įkaitusių paviršių.



Triukšmo emisijos į aplinką ženklimas atitinka ES ir Jungtinės Karalystės direktyvas bei reglamentus ir Naujojo Pietų Velso įstatymą „2017 m. aplinkos apsaugos (triukšmo kontrolės) reglamentas“. Gaminio garantuotasis garso galios lygis nurodytas *Techniniai duomenys psl. 119* ir etiketėje.

Pasižymėkite: Kiti ant priedo pateikti simboliai (lipdukai) skirti specialiems kai kurių rinkų sertifikavimo reikalavimams.

Sauga

Saugos ženklų reikšmės

[spėjimai, perspėjimai ir pastabos yra skirtos atkreipti dėmesį į ypač svarbias naudotojo instrukcijos dalis.



PERSPĖJIMAS: Naudojamas, kai naudotojui ar šalia esantiems asmenims kyla mirtino arba sunkaus sužeidimo pavojus arba, jei nesilaikoma naudotojo instrukcijoje pateiktų nurodymų.



PASTABA: Naudojamas, kai kyla pavojus sugadinti gaminį ir (arba) priedą, kitas medžiagas arba padaryti žalą aplinkai, jei nesilaikoma naudotojo instrukcijoje pateiktų nurodymų.

Pasižymėkite: Naudojama pateikti daugiau, nei būtina esamoje situacijoje, informacijos.

Bendrieji saugos nurodymai



PERSPĖJIMAS: Prieš naudodami priedą, perskaitykite toliau esančius saugos nurodymus.

- Prieš naudodami priedą atidžiai perskaitykite naudojimo instrukciją ir įsitinkinkite, ar viską gerai supratote.
- Šios instrukcijos papildo gaminio instrukcijas. Informacijos apie kitas procedūras rasite savo gaminio naudojimo instrukcijose.
- Be gamintojo leidimo jokių atveju negalima keisti originalios priedo konstrukcijos. Nenaudokite priedo, kurį galėjo modifikuoti kiti asmenys ir naudokite tik originalius priedus. Nesuderinti konstrukcijos pakeitimai bei nepritaikytos detalės gali sukelti rimtus kūno sužalojimus ir net mirtį.

Perskaitykite visas instrukcijas



PERSPĖJIMAS: Naudojant elektrinius sodo prietaisus, visada reikia laikytis pagrindinių saugos priemonių, kad būtų sumažinta gaisro, elektros smūgio ir sužalojimų rizika, įskaitant šiuos nurodymus:

Samanų purentuvo saugos nurodymai

- Niekada neleiskite naudoti gaminio vaikams, asmenims, turintiems ribotų fizinių, jutimo ar psichinių galimybių, neturintiems patirties ir žinių, ar žmonėms, nepažįstamiems su šiomis instrukcijomis. Gali būti, kad pagal vietos teisės aktus ribojamas naudotojo amžius.
- Niekuomet nenaudokite gaminio, jei netoliese yra žmonių, ypač vaikų, arba naminių gyvūnų.
- Neperkraukite ir visada išlaikykite pusiausvyrą. Dirbdami ant šlaitų tvirtai remkitės į žemę, dirbkite eidami, niekada nebėkite.
- Nelieskite judančių pavojingų dalių, jei įrenginys neatjungtas nuo elektros tinklo, o pavojingos judančios dalys nevisiškai sustojo.
- Dirbdami įrenginiu, visada dėvėkite avalynę ir ilgas kelnes.
- Prieš pašalindami blokadą ir prieš valydami gaminį arba dirbdami su juo, iš gaminio išimkite akumuliatorių.
- Prieš atlikdami gaminio pažeidimų tyrimą, išimkite akumuliatorių iš gaminio, kai, pavyzdžiui, „pagaunamas“ pašalinis daiktas arba jei gaminys pradeda nejprastai vibruoti.
- Nejunkite pažeisto laido prie maitinimo šaltinio ir nelieskite pažeisto laido, kol jis nėra atjungtas nuo maitinimo šaltinio. Pažeistas laidas gali susisiekti su veikiančiomis dalimis ir tai gali būti sužeidimo ar net mirties priežastis.

- Niekada nenaudokite gaminio su pažeistais apsaugais / skydais, be apsauginių įtaisų arba jei laidas yra pažeistas ar susidėvėjęs.
- Laikykite prailginimo laidus atokiau nuo judančių pavojingų dalių, kad išvengtumėte laidų pažeidimų, kurie gali kontaktuoti su veikiančiomis dalimis.
- Prijunkite gaminį tik prie maitinimo grandinės, apsaugotos nuolatinės srovės įtaisu (RCD), kurio išjungimo srovė yra ne didesnė kaip 30 mA.
- Nenaudokite gaminio blogomis oro sąlygomis, ypač jei yra žaibo pavojus.

Naudojimo saugos instrukcijos

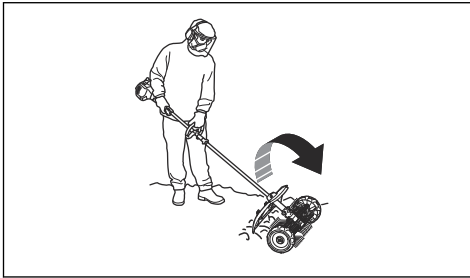


PERSPĖJIMAS: Prieš naudodami gaminį, perskaitykite toliau esančius įspėjimus.

- "Stop" rankenėlė automatiškai grįžta į "Start" padėtį. Įsitinkinkite, kad montuojant, tikrinant ir (arba) atliekant techninę priežiūrą, gaminys netyčia neįsijungtų. Jei turite benzinu varomą gaminį, nuo uždegimo žvakės nuimkite uždegimo žvakės antgalį. Jei turite akumuliatorių varomą gaminį, išimkite akumuliatorių.
- Saugokitės į orą pakeliamų daiktų. Visada užsidėkite akių apsaugos priemonės. Niekada nesilenkite virš samanų purentuvo. Akmenukai, šiukšlės ir pan. gali pataikyti į akis ir apakinti ar sunkiai jas sužaloti.
- Dirbant pavara įkaista ir paskui kurį laiką gali būti įkaitusi. Todėl nesilieskite, nes yra pavojus nusideginti.
- Nors šepetio būgnai neturi tokios jėgos, kaip vejaplovės peiliai, tačiau turėtumėte vengti daiktų, kurie išsviesti gali sužaloti ar apgadinti turtą.
- Niekada nenaudokite įrenginio, jei nelaimės atveju nebūtų kaip iškviešti pagalbą.
- Įrenginį naudokite tik tiems tikslams, kuriems jis yra skirtas.
- Niekada nenaudokite įrenginio, jei esate pavargę, jei vartojote alkoholį ar vaistus, kurie gali turėti įtakos jūsų regėjimui, nuovokai ar koordinacijai.
- Niekada įrenginio nenaudokite ekstremaliomis klimatinėmis sąlygomis, pvz., esant dideliam šalčiui ar labai karštam ir/arba drėgnam klimatui.
- Niekada nenaudokite techniškai netvarkingos mašinos. Vykdykite šioje instrukcijoje nurodytas tikrinimo, techninės priežiūros ir remonto procedūras. Kai kuriuos techninės priežiūros darbus gali atlikti tik apmokyti ir kvalifikuoti specialistai. Žiūrėkite nurodymus, pateikiamus skyriuje „Techninė priežiūra“.
- Niekada neleiskite vaikams naudotis įrenginiu.
- Niekuomet niekam neleiskite dirbti mašina prieš tai neįsitikinę, kad jie perskaitė ir suprato naudojimo instrukcijoje pateiktus nurodymus.
- Neprisileiskite artyn pašalinių. Kai dirbate, vaikai, gyvuliai, stebėtojai ir padėjėjai turi būti nutolę 15

metrų atstumu. Kam nors priartėjus, nedelsdami sustabdykite įrenginį.

- Jei tam tikroje situacijoje nežinosite kaip pasielgti, teiraukitės specialisto. Kreipkitės į pardavėją ar aptarnavimo dirbtuves.
- Nedirbkite darbo, kurio nemokate ar jaučiatės nepakankamai kvalifikuotas.
- Prieš užvesdami pjovimo įrangą, visada apsidairykite ir įsitikinkite, ar ji nepasieks kitų netoliese esančių žmonių ar gyvūnų.
- Jei gū dėvite apsaugines ausines, būkite atidūs, kad išgirstumėte galimus įspėjamuosius signalus ar šūksnius. Išjungę variklį visada nusiimkite apsaugines ausines.
- Nenaudokite įrenginio blogu oru, pavyzdžiui, esant tirštam rūkui, smarkiai lyjant, pučiant stipriam vėjui, per didelius šalčius ir t. t. Darbas per šalčius vargina, be to, dažnai padidina rizikos faktorius, pvz., aplėdęjusi žemė, nenuspėjama medžio kritimo kryptis ir pan.
- Įsitikinkite, kad galite laisvai stovėti ir judėti. Apžiūrėkite, ar jūsų darbo vietoje nėra kliūčių, pavyzdžiui, išsikišusių medžių šaknų, akmenų, šakų, griovių, jei kartais tektų greitai pasitraukti. Labai atsargiai dirbkite ant stačių šlaitų.



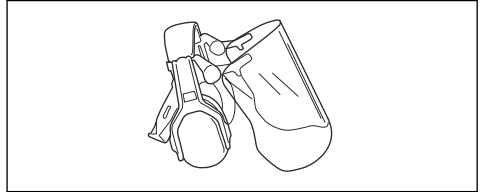
- Perkeliant įrenginį, būtina išjungti variklį.
- Neišjungę variklio niekada nedėkite įrenginio ant žemės, jei jo nematote.
- Įrenginį visada laikykite dviem rankom. Įrenginį laikykite prie kūno.
- Įsitikinkite, ar veikiant varikliui, rankos ir kojos neliečia samanų purentuvo.
- Išjungus variklį, rankomis ir kojomis nelieskite samanų purentuvo, kol jis visiškai nesustos.
- Jei pradeda labai vibruoti, įrenginį sustabdykite. Jei turite benzinu varomą gaminį, nuo uždegimo žvakės atjunkite HT laidą. Jei turite akumuliatoriumi varomą gaminį, išimkite akumuliatorių iš gaminio. Įsitikinkite, kad įrenginys nepažeistas. Suremontuokite pažeidimus.

Asmeninės apsauginės priemonės

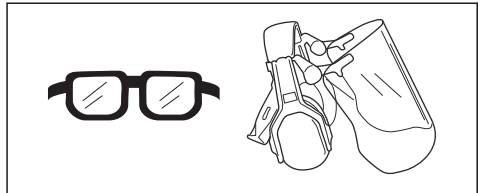


PERSPĖJIMAS: Prieš naudodami gaminį, perskaitykite toliau esančius įspėjimus.

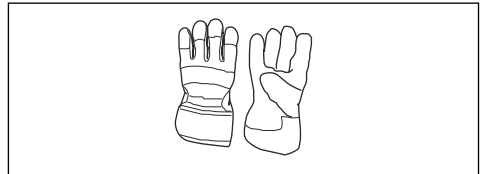
- Naudodami įrenginį būtinai dėvėkite patvirtintas asmenines apsaugines priemones. Asmeninės apsauginės priemonės nepadės visiškai išvengti pavojėms pasižeisti, tačiau nelaimingo atsitikimo atveju mažiau nukentėsite. Leiskite prekybos atstovui padėti pasirinkti tinkamą įrangą.
- Naudokite pakankamomis garso slopinimo savybėmis pasižymintias patvirtintas apsaugines ausines. Ilgalais triukšmo poveikis gali nesugrąžinamai pakenkti klausai.



- Naudokite patvirtintas akių apsaugos priemones. Jei naudojamas apsauginis skydelis, turi būti nešiojami ir patvirtinti apsauginiai akiniai. Patvirtinti apsauginiai akiniai yra tie, kurie atitinka JAV ANSI Z87.1 standartą arba ES EN 166 standartą.



- Kai būtina, pvz., montuojant, apžiūrint arba valant pjovimo įrangą, užsimaukite pirštines.



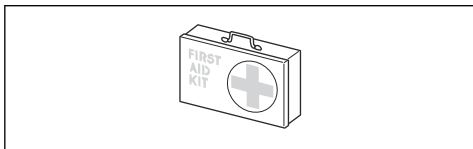
- Avėkite apsauginius batus su plieninėmis nosimis ir neslystančiais padais.



- Vilkėkite iš stiprios medžiagos pagamintus drabužius. Būtinai mūvėkite tvirtas, ilgas kelnes, vilkėkite aprangą ilgomis rankovėmis. Nevilkėkite laisvų drabužių, kurie gali užkibti už krūmokšnių ir šakų. Nenešiotkite papuošalų, trumpų kelnų ar atvirų

batų ir nevaikščiokite basomis. Saugiai susisiekite plaukus aukščiau pečių.

- Netoliese turi būti pirmosios pagalbos vaistinė.



Priedo apsauginės priemonės



PERSPĖJIMAS: Prieš naudodami gaminį, perskaitykite toliau esančius išpėjamuosius nurodymus.

Šiame skyriuje pasakojama apie priedo saugos priemones, jų paskirtį ir patariama, kaip atlikti patikrą ir ją prižiūrėti siekiant, kad įrenginys veiktų tinkamai. Žr. instrukcijas prie antraštės *Priedo apžvalga. psl. 112* ir sužinokite, kokioje vietoje tos dalys yra priede.

Priedo tarnavimo laikas gali sutrumpėti, o nelaimingų atsitikimų pavojus gali padidėti, jei priedas nebus tinkamai prižiūrimas, o aptarnavimas ir (arba) remonto darbai nebus atliekami profesionaliai. Prireikus daugiau informacijos, prašome kreiptis į artimiausią techninės priežiūros atstovą.



PERSPĖJIMAS: Niekada nenaudokite priedo, kurio apsauginės dalys yra pažeistos. Priedo saugos įranga turi būti tikrinama ir prižiūrima taip, kaip yra aprašyta šiame skyrelyje. Jei priedas neatitinka bet kurio iš šių kontrolinių reikalavimų, kreipkitės į savo techninės priežiūros atstovą dėl gaminio remonto.



PERSPĖJIMAS: Gaminio techninė priežiūra ir taisymas reikalauja specialaus pasirengimo. Tai ypač susiję su gaminio saugos įranga. Jei jūsų gaminys neatitiks nors vieno iš toliau pateiktų kontrolės reikalavimų, kreipkitės į sertifikuotą

remonto dirbtuvę. Įsigijus mūsų gaminį, garantuojame profesionalų aptarnavimą ir techninę priežiūrą. Jei gaminio pardavėjas neatlieka aptarnavimo, paprašykite jo duoti artimiausios remonto dirbtuvės adresą.

Priežiūros saugos instrukcijos



PERSPĖJIMAS: Prieš atlikdami techninę priežiūrą, perskaitykite toliau esančius išpėjimus.

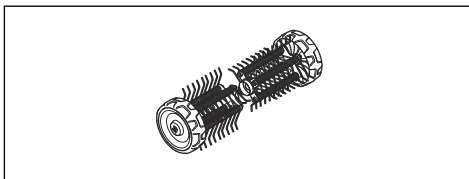


PERSPĖJIMAS: Prieš pradėdami priedo apžiūrą, visada išjunkite gaminį. Būkite atsargūs, atleiskus galios / akceleratoriaus gaiduką, priedas gali judėti toliau. Įsitinkite, kad priedas visiškai sustojo. Jei turite benzinu varomą gaminį, nuo uždegimo žvakės atjunkite HT laidą. Jei turite akumuliatoriumi varomą gaminį, išimkite akumuliatorių.



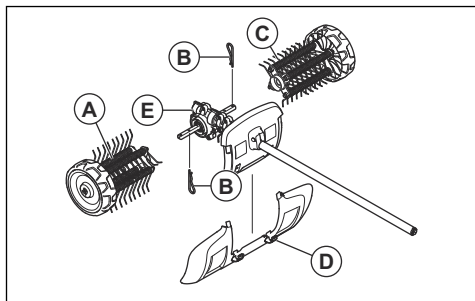
PERSPĖJIMAS: Visada mūvėkite apsaugines pirštines.

- Prieš pradėdami, patikrinkite visą gaminį. Patikrinkite, ar visi apsaugai ir gaubtai yra visi ir tvirtai pritvirtinti. Priveržkite visas veržles ir poveržles.
- Jei turite benzinu varomą gaminį, įsitinkite, kad nėra benzino nuotėkių.
- Pakeiskite pažeistas dalis.



Surinkimas

Priedo surinkimas

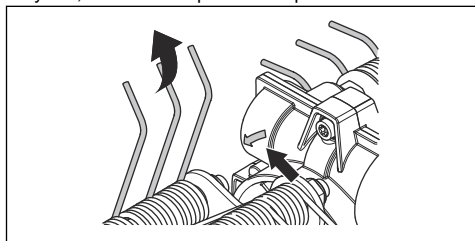


Rodyklė, esanti ant pavaros korpuso, rodo sukimosi kryptį. Pavaros korpusas turi būti pastatytas kaip parodyta.

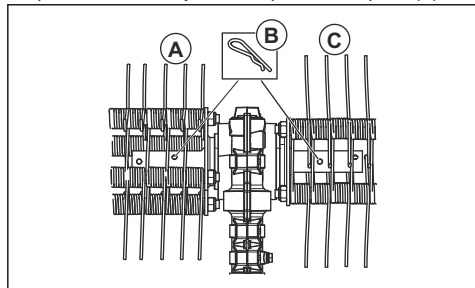
SVARBU:

Samanų purenimo ritiniai pažymėti rodyklėmis, rodančiomis sukimosi kryptį. Pasirūpinkite, kad samanų purentuvo ritiniai būtų teisingai įstatyti.

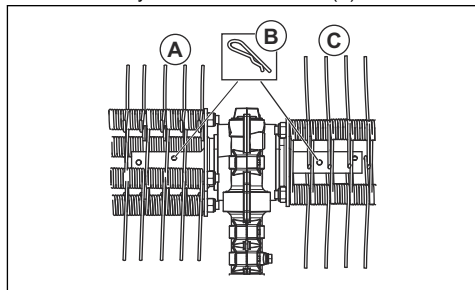
Samanų purentuvo ritiniai turi būti šiek tiek paslinkti vienas kito atžvilgiu. Samanų purentuvo spyruoklės turi būti nukreiptos ta pačia kryptimi, kaip ir sukimosi rodyklės, esančios ant pavaros korpuso.



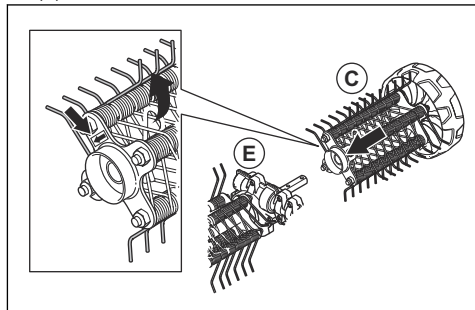
1. Užspauskite kairįjį samanų purentuvą (A) ant kairiojo pavaros veleno, kyšančio iš pavaros korpuso (E).



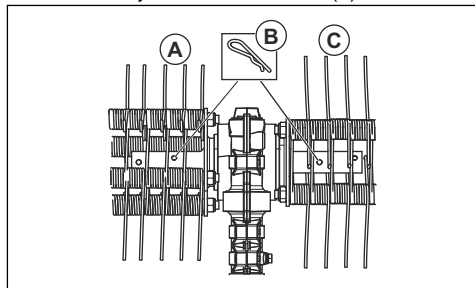
2. Pritvirtinkite samanų purentuvo ritinį prie vidinės veleno kiaurymės išardomu kaiščiu (B).



3. Užspauskite dešinįjį samanų purentuvą (C) ant kairiojo pavaros veleno, kyšančio iš pavaros korpuso (E).



4. Pritvirtinkite samanų purentuvo ritinį prie vidinės veleno kiaurymės išardomu kaiščiu (B).



5. Spaustukais (D) pritvirtinkite apsaugą.

Pasižymėkite: Norėdami sumontuoti priedus ant pagrindinio gaminio, skaitykite pagrindinio gaminio vadovą.

Naudojimas

Norėdami paleisti šaltą variklį

Jei naudojate benzininį gaminį, vykdykite šiuos nurodymus, kad gaminį paleistumėte šaltu varikliu.

1. Užveskite bazinį gaminį ir leiskite padirbti, kol sušils, tada išjunkite.
2. Prijunkite priedą, kaip nurodyta surinkimo nurodymuose.
3. Reguluodami karbiuratorių, pasirūpinkite kad samanų purentuvus būtų nuleistas ant žemės ir šalia nėra pašalinių asmenų.
4. Leiskite samanų purentuvui dirbti tuščiaja eiga.
5. Įsitikinkite, ar rankena ir apsaugos funkcijos yra tvarkingos. Niekada nenaudokite gaminio, kuriam trūksta kokių nors dalių ar buvo pakeistos ne pagal specifikacijas.

Pasižymėkite: Dirbant laikyti samanų purentuvą, pakeltą virš paviršiaus, yra sunku ir nebūtina.

2. Smailus darbo kampas turi būti paviršiuje. Dideliu darbo kampu samanų purentuvus linkęs judėti link jūsų, todėl rizikuojate prarasti įrenginio valdymą.



Priedo naudojimas

1. Kai ratukai remiasi į paviršų, samanų purentuvą paleiskite visa galia (arba beveik visa).

Techninė priežiūra

Įvadas

Toliau pateikiamos bendros priežiūros instrukcijos. Jei reikia daugiau informacijos, prašome kreiptis į techninio aptarnavimo dirbtuves.

Priedo techninė priežiūra



PASTABA: Su samanų purentuvu dažnai dirbama dulkingoje aplinkoje. Jei turite benzininį gaminį, norint, kad oro filtras veiktų patenkinamai, labai svarbu reguliariai, dažnai kasdien, tikrinti oro filtrą ir sutepti jį.

Techninės priežiūros instrukcijas skaitykite maitinimo bloko naudotojo vadove.

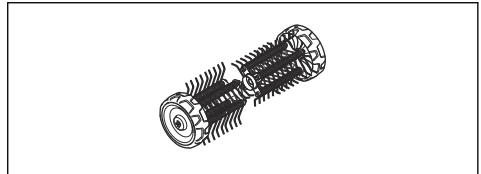


PERSPĖJIMAS: Atlikdami priedų techninę priežiūrą, visada mūvėkite apsaugines pirštines.



PERSPĖJIMAS: Naudojant gaminį įkaista pavaros korpusas. Nelleskite pavaros norėdami išvengti nudegimo žaizdų.

1. Įsitikinkite, kad samanų skarifikatorius nesisuka, kai atleidžiamas galios / droselio gaidukas.



2. Jei jie nesisuka lengvai, ratus nuvalykite.

Transportavimas, saugojimas ir utilizavimas

Pervežimas ir laikymas

Jei padargas transportuojamas kita transporto priemone, visada naudokite tvirtinimo įtaisus ir įsitikinkite, kad padargas saugiai pritvirtintas.

Jei padargu nesiruošiate naudotis ilgesnį laiko tarpą, užtikrinkite, kad jis būtų gerai išvalytas ir atlikti visi techninės priežiūros darbai.

Techniniai duomenys

Benzinu varomų produktų techniniai duomenys

Samanų skarifikatorius	DT600
Plotis, mm	556
Svoris	
Svoris, kg	6,5
Skleidžiamas triukšmas ⁶⁷	
Garso stiprumo lygis, išmatuotas dB (A)	105
Garso galios lygis, garantuojamas L _{WA} dB (A)	109
Garso lygiai ⁶⁸	
Tolygus garso spaudimo naudotojo ausiai lygis, matuojamas pagal EN ISO 22868, dB(A)	95
Vibracija ⁶⁹	
Ekvivalentiški rankenų vibracijos lygiai (a _{h_v,eq}), išmatuoti pagal EN ISO 22867 m/s ²	
Priekinės / galinės rankenos	6,2/4,3

Akumuliatoriumi varomų įrenginių techniniai duomenys

325iLK + Samanų purentuvo priedas DT600	
Plotis, mm	556
Svoris	
Svoris, kg	2,3/+6,5
Skleidžiamas triukšmas ⁷⁰	
Garso galios lygis, išmatuotas dB (A)	89
Garso lygiai ⁷¹	

⁶⁷ Matuojama kartu su Husqvarna patvirtintais priedais. Triukšmas, skleidžiamas į aplinką, išmatuotas kaip garso galia (L_{WA}) pagal EB direktyvą 2000/14/EB. Pateiktas įrenginio garso stiprumo lygis buvo išmatuotas naudojant didžiausią garšą sukeltantį originalų pjovimo įtaisą. Skirtumas tarp garantuojamojo ir matuojamojo garso stiprumo yra tas, kad pagal Direktyvą 2000/14/EB garantuojamasis garso stiprumas apima ir matavimo rezultatų sklaidą bei nukrypimus tarp skirtingų to pačio modelio įrenginių.

⁶⁸ Matuojama kartu su Husqvarna patvirtintais priedais. Pateiktuose duomenyse apie ekvivalentinį įrenginio garso slėgio lygį yra 1 dB (A) tipiška statistinė sklaida (standartinis nuokrypis).

⁶⁹ Matuojama kartu su Husqvarna patvirtintais priedais. Pateiktuose atitinkamo vibracijos lygio duomenyse yra 1 m/s² tipiška statistinė sklaida (standartinis nuokrypis).

⁷⁰ Pateiktuose duomenyse apie įrenginio garso slėgio lygį yra 3 dB (A) tipiška statistinė sklaida (standartinis nuokrypis). Ji buvo išmatuota naudojant originalų įtaisą, kuri generuoja aukščiausią lygį.

⁷¹ Pateiktuose duomenyse apie įrenginio garso slėgio lygį yra 3 dB (A) tipiška statistinė sklaida (standartinis nuokrypis). Ji buvo išmatuota naudojant originalų įtaisą, kuri generuoja aukščiausią lygį.

325iLK + Samanų purentuvo priedas DT600	
Garso spaudimo naudotojo ausiai lygis, matuojamas pagal EN ISO 22868, dB(A)	77
Vibracija ⁷²	
Vibracijos lygis rankenose, išmatuotas pagal EN 62841-1, m/s ²	
Priekinės / galinės rankenos	1,9/2,6
Su patvirtintu naudoti originaliu (kairiuoju arba dešiniuoju) priedu	1,9/2,6

⁷² Pateiktuose vibracijos lygio duomenyse yra 2 m/s² tipiška statistinė sklaida (standartinis nuokrypis). Siekiant palyginti vibracijos lygius, akumulatoriniams ir vidaus degimo gaminiams naudojamas vibracijos skaičiuotavas. <https://www.husqvarna.com/uk/services-solutions/vibration-calculator/>.

Atitikties deklaracija

ES atitikties deklaracija

Mes, **Husqvarna AB**, SE-561 82 Huskvarna, Švedija, tel. +46-36-146500, atsakingai patvirtiname, kad gaminys:

Aprašymas	Samanų skarifikatorius
Gamintojas	Husqvarna
Tipas / modelis	DT600
Identifikacijos numeris	Serijos numeriai nuo šios datos: 2022 ir vėlesni

visiškai atitinka šias ES direktyvas ir reglamentus:

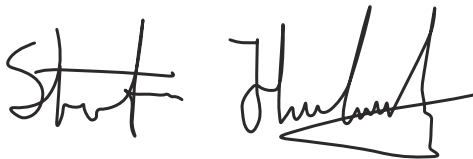
Direktyva / reglametas	Aprašymas
2006/42/EB	„dėl mašinų“
2000/14/EB	„dėl į aplinką skleidžiamo triukšmo“
2011/65/ES	„dėl tam tikrų pavojingų medžiagų naudojimo elektros ir elektroninėje įrangoje apribojimo“

ir kad laikomasi šių standartų ir (arba) techninių specifikacijų: EN ISO 12100:2010, EN IEC 63000:2018

„RISE SMP Svenska Maskinprovning AB, Box 7035, SE-750 07 Uppsala, Sweden“ atliko savanorišką tipo tyrimą „Husqvarna AB“ vardu.

Sertifikato numeris: SEC/15/2411

Huskvarna, 2022-03-14



Stefan Holmberg, mokslinių tyrimų ir plėtros direktorius, technologijų vadyba, „Husqvarna AB“

Atsakingas už techninę dokumentaciją



Saturs

Ievads.....	122	Apkope.....	128
Drošība.....	123	Pārvadāšana, glabāšana un utilizēšana.....	129
Montāža.....	127	Tehniskie dati.....	129
Lietošana.....	128	Atbilstības deklarācija.....	131

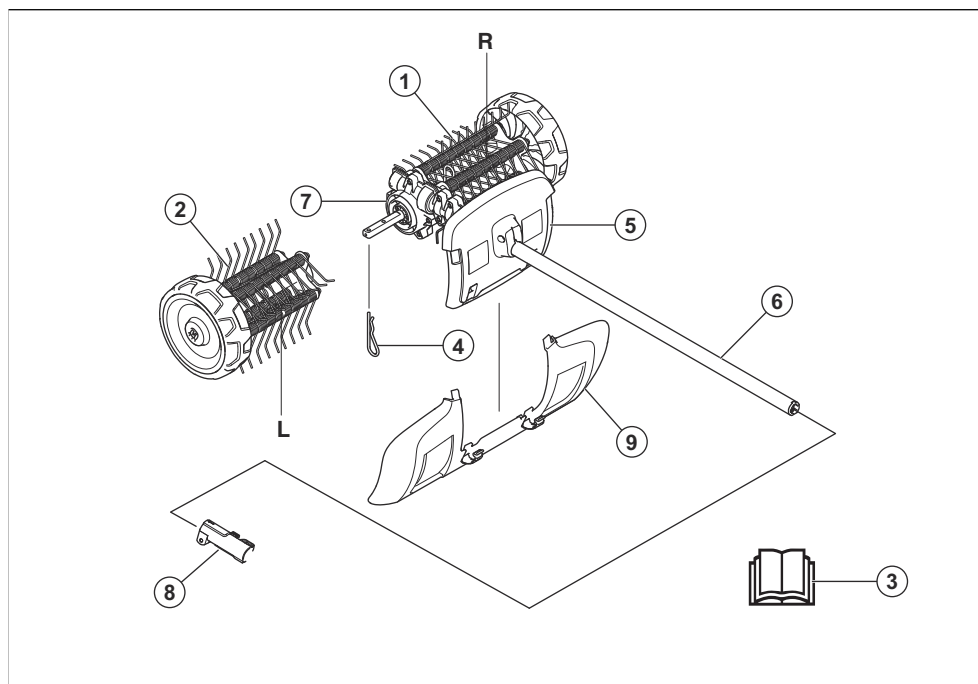
Ievads

Izstrādājuma apraksts

Mēs pastāvīgi strādājam, lai pilnveidotu savus izstrādājumus, un tāpēc paturam tiesības izdarīt izmaiņas, piemēram, izstrādājumu formai un izskatam bez iepriekšēja paziņojuma.

Piezīme: Šī rokasgrāmata attiecas gan uz instrumentiem, kas darbojas ar benzīnu, gan tiem, kas darbojas ar akumulatoru.

Pārskats par ierīci



1. Sūnu atdalītājs (labā puse)
2. Sūnu atdalītājs (kreisā puse)
3. Lietotāja rokasgrāmata
4. Sazarojuma tapas
5. Aizsargs (aizsardzība uz kāta)

Paredzētā lietošana



BRĪDINĀJUMS: Šo ierīci drīkst izmantot tikai kopā ar paredzēto izstrādājumu, skatiet sadaļu par piederumiem izstrādājuma lietotāja rokasgrāmata.

Ierīce ir paredzēta tikai sūnu atdalīšanai no zālāja.

Apzīmējumi uz palīgierīces un barošanas bloka



Pavirša vai nepareiza šīs palīgierīces lietošana var radīt smagas vai nāvējošas traumas lietotājam vai citiem.



Rūpīgi izlasiet šo lietošanas rokasgrāmatu un pirms palīgierīces lietošanas pārlicinieties, vai izprotat norādījumus.



Izmantojiet apstiprinātus dzirdes aizsarglīdzekļus. Izmantojiet apstiprinātus acu aizsarglīdzekļus. Ja pastāv putekļu rašanās risks, izmantojiet elpošanas masku.



Šis piederums atbilst spēkā esošajām EK direktīvām.



Šis izstrādājums atbilst spēkā esošajiem AK noteikumiem.



Rotējošas daļas. Turiet rokas un kājas drošā attālumā. Bultiņa norāda griešanās virzienu.



Vienmēr lietojiet apstiprinātus aizsargcimdus.



Izmantojiet neslidošus un stabilus zābakus.



Sargieties no mestiem un rikošetā atlecošiem priekšmetiem.



Lietotājam jānodrošina, lai citi cilvēki vai dzīvnieki nebūtu darba vietai tuvāk par 15 metriem. Ja vairāki ierīces lietotāji strādā vienā darba vietā, drošības attālumam ir jābūt ne mazākam par 15 metriem. Piederums ar lielu spēku var izmest priekšmetus, kas, atsitoties, var atlēkt atpakaļ. Nelietojot atbilstošu drošības aprīkojumu, tas var radīt smagas acu traumas.



Izstrādājuma lietošanas laikā ievērojiet minimālo attālumu — 15 m/50 pēdas — no cilvēkiem un dzīvniekiem.



Raugieties, lai ķermeņa daļas neatrastos karstu virsmu tuvumā.



Troksņa emisijas vidē uzlīme atbilstoši ES un Apvienotās Karalistes direktīvām un noteikumiem, kā arī Jaundienvielskas tiesību aktam "Darba vides aizsardzības (troksņa kontroles) regula (2017)". Izstrādājuma garantētais skaņas jaudas līmenis ir norādīts *Techniskie dati lpp. 129* un uz etiķetes.

Piezīme: Pārējie uz ierīces norādītie simboli/norādes atbilst noteiktu valstu sertifikācijas prasībām.

Drošība

Drošības definīcijas

Brīdinājumi, norādes "Uzmanību!" un piezīmes tiek izmantotas, lai izceltu īpaši svarīgas lietotāja rokasgrāmatas daļas.



BRĪDINĀJUMS: Tiek izmantota tad, ja rokasgrāmatā sniegto instrukciju neievērošanas dēļ operatoram vai blakus esošajām personām draud traumu vai nāves risks.



IEVĒROJIET: Tiek izmantota tad, ja rokasgrāmatā sniegto instrukciju neievērošanas dēļ rodas izstrādājuma un/vai papildaprīkojuma, citu materiālu vai blakus esošās teritorijas bojājuma risks.

Piezīme: Tiek izmantota, lai sniegtu plašāku informāciju, kas nepieciešama attiecīgajā situācijā.

Vispārīgi norādījumi par drošību



BRĪDINĀJUMS: Pirms sākat lietot šo ierīci, izlasiet zemāk izklāstītās drošības instrukcijas.

- Rūpīgi izlasiet šo lietotāja rokasgrāmatu un pirms ierīces lietošanas pārliecinieties, vai izprotat norādījumus.
- Šīs instrukcijas ir izstrādājuma komplektācijā iekļauto instrukciju papildinājums. Sīkāku lietošanas informāciju skatiet ekspluatācijas instrukcijās.
- Nekādā gadījumā bez ražotāja atļaujas nedrīkst mainīt šīs ierīces konstrukciju. Nelietojiet ierīci, ko varētu būt pārveidojušas trešās puses, un obligāti izmantojiet oriģinālos piederumus. Neatļautas izmaiņas un/vai neatļauti piederumi var radīt smagas vai nāvējošas traumas izstrādājuma lietotājam un citiem.

Izlasiet visus norādījumus



BRĪDINĀJUMS: Lietojot elektriskās dārza kopšanas ierīces, obligāti jāievēro pamata drošības pasākumi, lai samazinātu aizdegšanās, strāvas trieciena un traumu risku, tostarp jāievēro tālāk norādītais.

Ar atdalītāju saistīti drošības norādījumi

- Nekādā gadījumā neļaujiet lietot šo izstrādājumu bērniem, personām ar samazinātām fiziskajām, sensorajām vai mentālajām spējām, kā arī nepieredzējušām un neinformētām personām vai personām, kas nav iepazinušas ar šiem norādījumiem. Lietotāja vecums var būt norādīts vietējos noteikumos.
- Nekādā gadījumā nelietojiet ierīci, ja tuvumā atrodas citi cilvēki, jo īpaši bērni, vai dzīvnieki.
- Nesniedzieties pārāk tālu un vienmēr saglabājiet līdzsvaru. Slīpās virsmās stāviet stabili un ejiet, nevis skrieniet.
- Nepieskarieties kustīgām daļām, kas var būt bīstamas, pirms iekārta ir atslēgta un strāvas un kustīgās daļas ir pilnībā apstājušās.
- Strādājot ar iekārtu, vienmēr valkājiet izturīgus apavus un garās bikses.
- Izņemiet akumulatoru no izstrādājuma, kad tas netiek izmantots, pirms aizsprostojumu tīrīšanas un pirms izstrādājuma tīrīšanas un labošanas.
- Izņemiet akumulatoru no izstrādājuma, pirms pārbaudāt vai izstrādājums nav bojāts, piemēram, kad pret izstrādājumu ir atsities svešķermenis vai izstrādājums sāk vibrēt citādi nekā parasti.
- Nepievienojiet barošanas avotam bojātu vadu un nepieskarieties bojātajam vadam, pirms tas nav atvienots no barošanas avota. Ja vads ir bojāts, jūs varat pieskarties uzlādētām daļām, tas var izraisīt traumas vai nāvi.

- Nekad neizmantojiet izstrādājumu, ja ir bojāta aizsardzība/aizsargi, ja nav drošības ierīču vai ja vads ir bojāts vai nolietojies.
- Lai nepieļautu vadu bojājumus, kuru dēļ varat pieskarties uzlādētām daļām, gādājiet, lai pagarinātāju vadi nebūtu tuvumā kustīgām daļām, kas var būt bīstamas.
- Pievienojiet izstrādājumu tikai tādām elektroapgādes tīklam, kuram ir paliekošās strāvas ķēdes aizsardzība (residual current device — RCD) ar nostrādes strāvu, kas nav lielāka par 30 mA.
- Nelietojiet ierīci sliktos laika apstākļos, jo īpaši tad, ja ir iespējams pērkona negaiss.

Norādījumi par drošu darbu

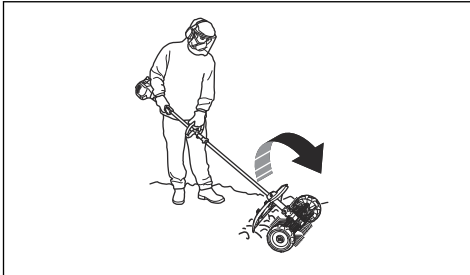


BRĪDINĀJUMS: Pirms sākat lietot izstrādājumu, izlasiet tālāk izklāstītās brīdinājuma instrukcijas.

- Apturēšanas (Stop) slēdzis automātiski atgriezās iedarbināšanas pozīcijā. Veicot montāžu, pārbaudi un/vai apkopi, gādājiet, lai nenotiktu nejauša iedarbināšana. Ja izmantojat ar benzīnu darbināmu izstrādājumu, atvienojiet aizdedzes sveces uzgali no aizdedzes sveces. Ja izmantojat ar akumulatoru darbināmu izstrādājumu, noņemiet akumulatoru.
- Uzmanieties no izviestiem objektiem. Vienmēr lietojiet acu aizsargus. Nekad neliecieties pāri sūnu atdalītājam. Akmeņi, neīrumi u.c. var tikt izviesti un trāpīt acis un tādējādi izraisīt akumu vai citas nopietnas traumas.
- Reduktors var sakarst darba laikā un neatdzist vēl kādu laiku arī pēc iekārtas izslēgšanas. Tam pieskaroties, var apdedzināties.
- Lai gan birstu veltniem nav tāda spēka kā plāvēja asmeņiem, ir jāizvairās no darba ar materiāliem, kas var tikt izviesti un radīt traumas vai bojājumus īpašumam.
- Nelietojiet iekārtu, ja nav iespējams pasaukt palīdzību nelaiemes gadījumā.
- Izmantojiet mašīnu vienīgi tam, kam Tā paredzēta.
- Nekad nelietojiet mašīnu, ja esat noguris, ja esat dzēris alkoholiskus dzērienus, vai, ja lietojiet medikamentus, kas var ietekmēt redzi, prāta spējas, vai koordināciju.
- Nekad nelietojiet šo ierīci ekstremālos laika apstākļos, tādos kā liels sals vai ļoti karstā un/vai mitrā klimatā.
- Nekad nelietojiet bojātu ierīci. Ievērojiet šajā rokasgrāmatā aprakstītās drošības pārbaudes, tehnikās apkopes un remonta instrukcijas. Dažus apkopes un remonta darbus drīkst veikt tikai apmācīti un kvalificēti speciālisti. Skatiet instrukcijas nodaļā Apkope.
- Nekad neļaujiet bērniem izmantot mašīnu.
- Nekad neļaujiet citām personām izmantot plaujmašīnu, ja šīs personas nav izlasījušas

un izpratušas lietotāja rokasgrāmatā sniegto informāciju.

- Nepiederošus turiet pa gabalu. Kamēr lietojat izstrādājumu, bērniem, dzīvniekiem, blakusstāvētājiem un palīgiem jāatrodas drošā attālumā — ne tuvāk par 15 m. Ja kāds tuvojās, nekavējoties apturiet iekārtu.
- Ja nonākat situācijā, kurā jums nav skaidrs, kā rīkoties, lūdziet speciālista padomu. Sazinieties ar izplatītāju vai apkopes darbnīcu.
- Izvairieties no tādiem lietošanas paņēmieniem, kuri jums nav pa spēkam.
- Pievērsiet uzmanību apkārtējai videi un pārliecinieties, vai cilvēki vai dzīvnieki nevar nokļūt izstrādājuma tuvumā vai ietekmēt jūsu kontroli pār izstrādājumu.
- Lietojot dzirdes aizsarglīdzekļus, vienmēr uzmanīgi klausieties, lai sadzirdētu brīdinājumu signālus vai saucienus. Kad dzinējs/motors apstājas, vienmēr noņemiet dzirdes aizsarglīdzekļus.
- Nelietojiet iekārtu nelabvēlīgos laika apstākļos, piemēram, biežā miglā, stiprā lietū, stiprā vējā, lielā aukstumā utt. Darbs sliktos laika apstākļos ir nogurdinošs un bieži vien ir saistīts ar palielinātu risku, piemēram, slidenas zemes dēļ.
- Pārliecinieties, vai varat droši staigāt un stāvēt. Pārbaudiet, vai jums apkārt nav kādu šķēršļu, kas varētu traucēt pēkšņu nepieciešamību pārvietoties (saknes, akmeņi, zari, bedres utt.). Ievērojiet īpašu piesardzību, strādājot uz slīpas virsmas.



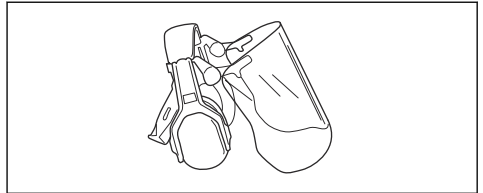
- Pārvietojot izstrādājumu, dzinējs/motors ir jāizslēdz.
- Nekad nelieciet zemē iekārtu ar ieslēgtu dzinēju/motoru, ja nevarat to uzraudzīt.
- Vienmēr turiet iekārtu ar abām rokām. Turiet mašīnu sev sānu pusē.
- Nodrošiniet, lai iekārtas darbības laikā rokas un kāju pēdas nesaskartos ar sūnu atdalītāju.
- Kad dzinējs/motors ir izslēgts, turiet rokas un kāju pēdas attālāk no sūnu atdalītāja, kamēr tas pilnībā apstājas.
- Ja sajūtat spēcīgu vibrāciju, izslēdziet iekārtu. Ja izmantojat ar benzīnu darbināmu izstrādājumu, atvienojiet HT vadu no aizdedzes sveces. Ja izmantojat ar akumulatoru darbināmu izstrādājumu, noņemiet akumulatoru no izstrādājuma. Pārliecinieties, vai iekārta nav bojāta. Salabojiet iespējamus bojājumus.

Individuālie aizsarglīdzekļi

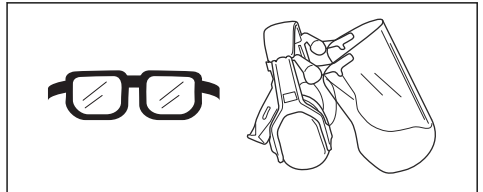


BRĪDINĀJUMS: Pirms sākat lietot izstrādājumu, izlasiet tālāk izklāstītās brīdinājuma instrukcijas.

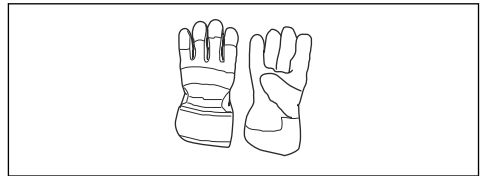
- Izmantojot izstrādājumu, vienmēr lietojiet apstiprinātus individuālos aizsarglīdzekļus. Šādi līdzekļi jums pilnībā novērš traumu gūšanas risku, taču samazina traumu smaguma pakāpi, ja negadījums tomēr notiek. Ļaujiet izplatītajam palīdzēt jums izvēlēties pareizo aprīkojumu.
- Lietojiet tādus dzirdes aizsarglīdzekļus, kas nodrošina pietiekamu trokšņa slāpēšanu. Ilgstoša uzturēšanās troksnī var radīt būtiskus dzirdes bojājumus.



- Izmantojiet apstiprinātus acu aizsarglīdzekļus. Apstiprinātas aizsargbrilles ir jālieto arī tad, ja tiek izmantots sejsēgs. Apstiprinātas aizsargbrilles ir tādas, kas atbilst ASV standarta ANSI Z87.1 ASV vai standarta EN 166 prasībām ES valstīs.



- Vajadzības gadījumā izmantojiet cimdus, piemēram, piestiprinot, pārbaudot vai tīrot griešanas ierīci.



- Lietojiet aizsargapavus ar tērauda purngaliem un neslidošām zolēm.



- Lietojiet izturīga auduma apģērbu. Vienmēr valkājiet biezas, garas bikses un apģērbu ar garām piedurknēm. Nevalkājiet vaļīgu apģērbu, kas viegli var iekerties krūmos un zaros. Nenēsājiet rotaslietas, nevelciet šortus, sandales un nestrādājiet basām kājām. Sakārtojiet matus droši virs pleciem.
- Gādājiet, lai tuvumā būtu pirmās palīdzības piederumi.



Izstrādājuma drošības ierīces



BRĪDINĀJUMS: Pirms sākat lietot šo ierīci, izlasiet zemāk izklāstītos brīdinājumus.

Šajā sadaļā ir izskaidrota ierīces drošības funkciju nozīme, to mērķis un veidi, kā tiek veikta pārbaude un apkope, lai garantētu ierīces pareizu darbību. Lai noskaidrotu, kurā ierīces vietā atrodas šīs daļas, skatiet norādījumus sadaļā *Pārskats par ierīci lpp. 122*.

Ja ierīces apkope netiek veikta pareizi un ja apkopi un/vai remontu neveic profesionāļi, ierīces darbmūžs var būt īsāks un var palielināties nelaimes gadījumu risks. Ja nepieciešama papildu informācija, sazinieties ar tuvāko izplatītāju, kas nodrošina apkopi.



BRĪDINĀJUMS: Nekādā gadījumā nelietojiet ierīci ar bojātu drošības aprīkojumu. Ierīces drošības aprīkojums ir jāpārbauda un jāuztur, pamatojoties uz šajā nodaļā izklāstīto informāciju. Ja ierīce neatbilst iepriekš aprakstīto pārbaucēju prasībām, sazinieties ar vietējo remontdarbnieku, lai ierīci saremontētu.



BRĪDINĀJUMS: Izstrādājuma apkopi un remontu drīkst veikt tikai īpaši apmācīti tehniķi. Tas jo īpaši attiecas uz izstrādājuma drošības aprīkojumu. Ja jūsu izstrādājums neatbilst zemāk aprakstīto pārbaucēju prasībām, sazinieties ar apkopes pakalpojumu nodrošinātāju. Jebkura mūsu izstrādājuma iegāde garantē profesionāla remonta un apkopes pieejamību. Ja mazumtirgotājs, pie kura iegādājāties izstrādājumu, nav apkopi veicošs izplatītājs, uzziniet no viņa tuvākā apkopes veicēja adresi.

Norādījumi par drošu apkopi



BRĪDINĀJUMS: Pirms apkopes darbiem, izlasiet brīdinājuma norādījumus.

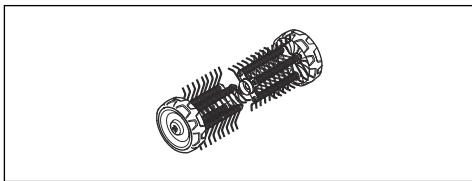


BRĪDINĀJUMS: Pirms ierīces apkopes vienmēr apturiet izstrādājumu. Rīkojieties uzmanīgi, ierīce var turpināt kustēties pēc tam, kad ir atlaists spēka sprūds/drosele. Pārļiecinieties, vai ierīce ir pilnībā apstājusies. Ja izmantojat ar benzīnu darbināmu izstrādājumu, atvienojiet HT vadu no aizdedzes sveces. Ja izmantojat ar akumulatoru darbināmu izstrādājumu, noņemiet akumulatoru.



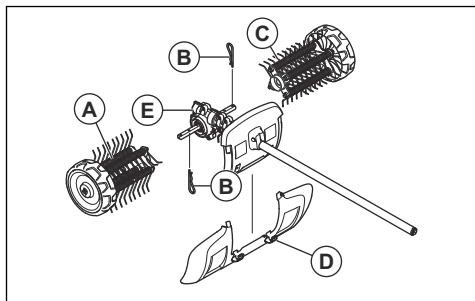
BRĪDINĀJUMS: Vienmēr lietojiet aizsargcimdus.

- Pirms uzsākat darbu, pārbaudiet izstrādājumu kopumā. Pārbaudiet, vai visi aizsargi un pārsegi ir uzlikti un droši piestiprināti. Pārbaudiet visus uzgriežņus un skrūves.
- Ja izmantojat ar benzīnu darbināmu izstrādājumu, pārbaudiet, vai tajā nav benzīna noplūžu.
- Nomainiet bojātās daļas.



Montāža

Ierīces montāža

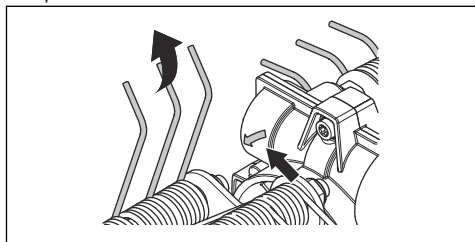


Bultiņa uz reduktora kartera norāda griešanās virzienu. Reduktora karteris ir jānovieto, kā parādīts attēlā.

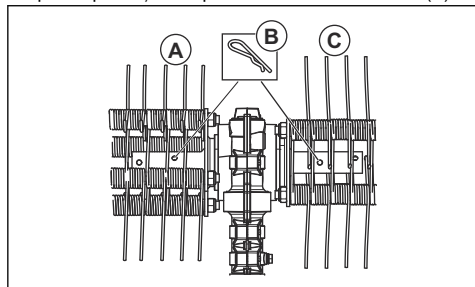
SVARĪGI:

Sūnu skarifikatora rulli ir atzīmēti ar bultiņām, norādot griešanās virzienu. Pārliecinieties, vai sūnu skarifikatora rulli ir pareizi uzstādīti.

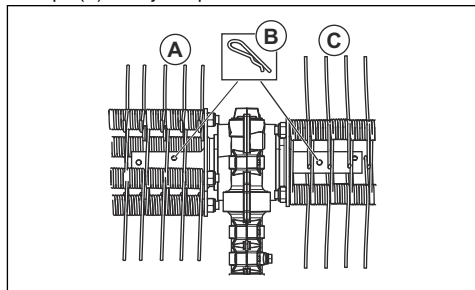
Sūnu atdalītāja rulli ir jāuzstāda nedaudz sāņus vienu no otra. Sūnu atdalītāja atsperēm ir jābūt tajā pašā virzienā, kāds ir norādīts uz reduktora kartera griešanās virziena bultiņas.



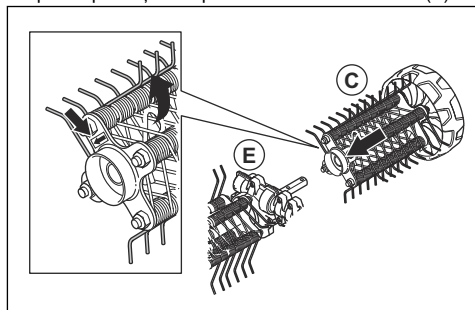
1. Spiediet kreisās puses sūnu atdalītāju (A) uz kreisās puses piedziņas vārpstas no reduktora kartera (E).



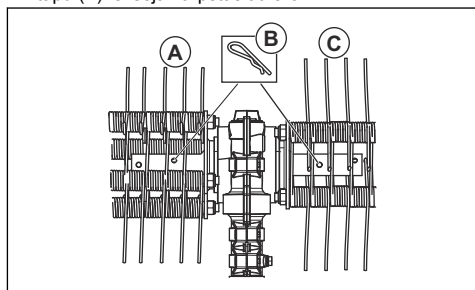
2. Nostipriniet sūnu atdalītāja rulli ar sazarojuma tapu (B) iekšējā vārpstas atverē.



3. Spiediet labās puses sūnu atdalītāju (C) uz labās puses piedziņas vārpstas no reduktora kartera (E).



4. Nostipriniet sūnu atdalītāja rulli ar sazarojuma tapu (B) iekšējā vārpstas atverē.



5. Uzstādiet dubļusargu ar fiksējošiem stiprinājumiem (D).

Piezīme: Lai uzzinātu, kā uzstādīt piederumus pamatizstrādājumam, skatiet pamatizstrādājuma lietotāja rokasgrāmatu.

Lietošana

Izstrādājuma iedarbināšana, ja dzinējs ir auksts

Ja izmantojat ar benzīnu darbināmu izstrādājumu, ievērojiet šos norādījumus, lai iedarbinātu izstrādājumu, ja dzinējs ir auksts.

1. Sāciet izstrādājuma pamata uzsildīšanu un pēc tam izslēdziet izstrādājumu.
2. Uzstādiet ierīci, kā norādīts montāžas instrukcijās.
3. Regulējot karburatoru, nodrošiniet, lai atdalītājs būtu novietots uz zemes un neviens neatrastos iekārtas tuvumā.
4. Darbiniet sūnu atdalītāju tukšgaitā.
5. Raugiet, lai kārtībā ir rokturis un drošības aprikojums. Nekad neizmantojiet izstrādājumu, kam trūkst kādas detaļas vai kas ir izmainīts pretrunā ar specifikāciju.

Ierīces lietošana

1. Darbiniet sūnu atdalītāju ar maksimālajiem apgriezieniem (vai tuvu tiem), riteņus balstot uz virsmas.

Piezīme: Darba laikā ir nogurdinoši un lieki pacelt sūnu atdalītāju no virsmas vai turēt to virs virsmas.

2. Uzturiet asu darba leņķi pret virsmu. Pārāk liels darba leņķis var likt sūnu atdalītājam pārvietoties lietotāja virzienā, un pastāv risks zaudēt kontroli pār izstrādājumu.



Apkope

Ievads

TĀĻĀK tekstā iepazīsimies ar daĀm visĀrĀjam apkopes instrukcijām. Ja jums nepieciešama papildinformācija, lūdzu, sazinieties ar tehniskās apkopes centru.

Griešanas ierīces apkopes veikšana



IEVĒROJIET: Darbs ar sūnu atdalītāju bieži notiek puteklainos apstākļos. Ja izmantojat ar benzīnu darbināmu izstrādājumu, ir ļoti svarīgi regulāri pārbaudīt gaisa filtru (bieži vien tas ir jādara reizi dienā) un ieeļļot to, lai tas darbotos apmierinoši.

Barošanas bloka apkopes norādījumus skatiet lietotāja rokasgrāmatā.

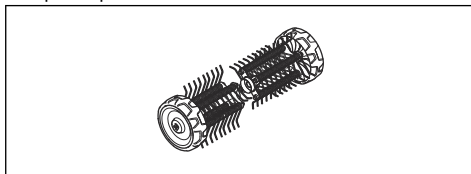


BRĪDINĀJUMS: Veicot ierīces apkopi, vienmēr lietojiet aizsargcimdus.



BRĪDINĀJUMS: Izstrādājuma lietošanas laikā pārnesumkārbas (reduktora) karteris uzkarst. Lai neapdedzinātos nepieskarieties pārnesumkārbas (reduktora) karterim.

1. Pārļiecinieties, vai sūnu atdalītājs nekustas pēc spēka sprūda/droseles atlaišanas.



2. Notīriet riteņus, ja tie negriežas brīvi.

Pārvadāšana, glabāšana un utilizēšana

Transportēšana un uzglabāšana

Ja ierīci transportējat ar transportlīdzekli, noteikti izmantojiet apstiprinātas stiprinājuma ierīces un gādājiet, lai ierīce būtu droši nostiprināta.

Pirms ierīces ilgstošas uzglabāšanas noīriet to un pārļiecinieties, vai tai ir veikta pilna apkope.

Tehniskie dati

Ar benzīnu darbināmu izstrādājumu tehniskie dati

Sūnu atdalītājs	DT600
Platums, mm	556
Svars	
Svars, kg	6,5
Trokšņa emisija ⁷³	
Skaņas jaudas līmenis, izmērītais dB(A)	105
Skaņas jaudas līmenis, garantētais L _{WA} dB (A)	109
Skaņas līmeņi ⁷⁴	
Ekvivalents skaņas spiediena līmenis pie lietotāja auss, mērīts saskaņā ar EN ISO 22868, dB(A)	95
Vibrācija ⁷⁵	
Ekvivalenti vibrācijas līmeņi (a _{hv,eq}) pie rokturiem, mērīti atbilstoši standartam EN ISO 22867, m/s ²	
Priekšējie/aizmugurējie rokturi	6,2/4,3

Ar akumulatoru darbināmu izstrādājumu tehniskie dati

3251LK + atdalītāja ierīce DT600	
Platums, mm	556
Svars	
Svars, kg	2,3+6,5

⁷³ Mērīts kopā ar Husqvarna apstiprinātajiem piederumiem. Atbilstoši EK direktīvai 2000/14/EK trokšņa emisija apkārtne ir mērīta kā trokšņa jauda (L_{WA}). Novērotais ierīces skaņas jaudas līmenis ir izmērīts ar pievienotu oriģinālo griešanas ierīci, kas rada augstāko līmeni. Atšķirība starp garantēto un izmērīto skaņas jaudas līmeni ir tāda, ka garantētā skaņas intensitātes līmeņa mērījumu rezultāts ietver arī izkliedi mērījuma rezultātā un atšķirības dažādām tā paša modeļa ierīcēm atbilstoši direktīvai 2000/14/EK.

⁷⁴ Mērīts kopā ar Husqvarna apstiprinātajiem piederumiem. Sniegtajos datos par ekvivalenta skaņas spiediena līmeni ierīcei ir tipiska statistiskā 1 dB (A) izkliede (standartnovirze).

⁷⁵ Mērīts kopā ar Husqvarna apstiprinātajiem piederumiem. Sniegtajos datos par ekvivalentu vibrācijas līmeni ir tipiska 1 m/s² statistiskā izkliede (standarta novirze).

325iLK + atdalītāja ierīce DT600	
Trokšņa emisija ⁷⁶	
Skaņas jaudas līmenis, izmērītais dB(A)	89
Skaņas līmeņi ⁷⁷	
Skaņas spiediena līmenis pie lietotāja auss, mērīts saskaņā ar standartu EN ISO 22868, dB (A):	77
Vibrācija ⁷⁸	
Vibrācijas līmeņi pie rokturiem, mērīti atbilstoši standartam EN 62841-1, m/s ²	
Priekšējie/aizmugurējie rokturi	1,9/2,6
Aprīkots ar apstiprinātu piederumu (oriģināls), pa kreisi/pa labi	1,9/2,6

⁷⁶ Sniegtajos datos par skaņas jaudas līmeni ierīcei ir tipiska 3 dB (A) statistiskā izkliede (standarta novirze), mērīts ar piestiprinātu oriģinālo ierīci, kas veic darbu augstākajā līmenī.

⁷⁷ Sniegtajos datos par skaņas jaudas līmeni ierīcei ir tipiska 3 dB (A) statistiskā izkliede (standarta novirze), mērīts ar piestiprinātu oriģinālo ierīci, kas veic darbu augstākajā līmenī.

⁷⁸ Sniegtajos datos par vibrācijas līmeni ir tipiska 2 m/s² statistiskā izkliede (standarta novirze). Vibrācijas līmeņu, akumulatora un sadegšanas produktu salīdzinājumam izmantojiet vibrācijas kalkulatoru. <https://www.husqvarna.com/uk/services-solutions/vibration-calculator/>.

Atbilstības deklarācija

ES atbilstības deklarācija

Mēs, **Husqvarna AB**, SE-561 82 Huskvarna, Zviedrija,
tālr. +46-36-146500, ar pilnu atbildību apliecinām, ka šis
izstrādājums:

Apraksts	Sūnu atdalītājs
Zīmols	Husqvarna
Tips/modelis	DT600
Identifikācija	Ar sērijas numuriem no 2022 un turpmākiem sērijas numuriem

pilnībā atbilst šādām ES direktīvām un noteikumiem:

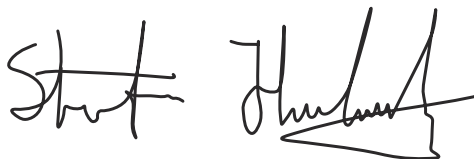
Direktīva/regula	Apraksts
2006/42/EK	"par mehānismiem"
2000/14/EK	"par trokšņa emisiju vidē"
2011/65/ES	"par dažu bīstamu vielu izmantošanas ierobežošanu elektriskās un elektroniskās iekārtās"

un ir ievēroti zemāk norādītie saskaņotie standarti un/vai
tehniskie dati: EN ISO 12100:2010, EN IEC 63000:2018

RISE SMP Svenska Maskinprovning AB, Box 7035,
SE-750 07 Uppsala, Sweden ir veicis brīvprātīgu tipa
pārbaudi Husqvarna AB vārdā.

Sertifikāta numurs: SEC/15/2411

Huskvarna, 2022-03-14



Stefan Holmberg, R&D Director, Technology
Management, Husqvarna AB

Atbildīgais par tehnisko dokumentāciju



Inhoud

Inleiding.....	132	Onderhoud.....	138
Veiligheid.....	133	Vervoer, opslag en verwerking.....	139
Montage.....	137	Technische gegevens.....	139
Werking.....	138	Verklaring van overeenstemming.....	141

Inleiding

Productbeschrijving

Husqvarna AB werkt voortdurend aan het verder ontwikkelen van haar producten en behoudt zich dan ook het recht voor om zonder aankondiging vooraf wijzigingen in o.a. vorm en uiterlijk door te voeren.

Let op: Deze handleiding heeft betrekking op zowel benzine- als accu-aangedreven voedingseenheden.

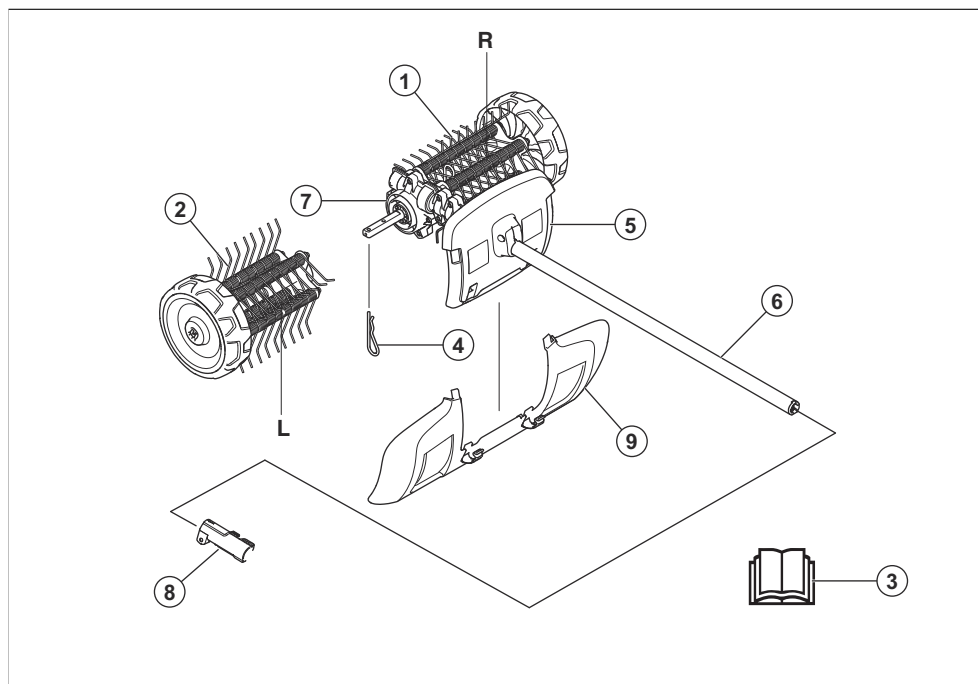
Gebruik



WAARSCHUWING: Dit opzetstuk mag alleen samen met het beoogde product worden gebruikt. Zie het hoofdstuk over accessoires in de bedieningshandleiding van het product.

Het opzetstuk is uitsluitend geschikt voor het ontmossen van gazons.

Overzicht opzetstukken



1. Ontmopper rechts
2. Ontmopper links
3. Gebruikershandleiding
4. Splitpen
5. Beschermkap (bescherming op steel)
6. Steel
7. Tandwielhuis
8. Askoppeling (meegeleverd met het product)
9. Spatbescherming

Symbolen op het opzetstuk en de voedingseenheid



Onachtzaam of onjuist gebruik van dit opzetstuk kan ernstig of dodelijk letsel aan de gebruiker of anderen toebrengen.



Lees de bedieningshandleiding zorgvuldig door en zorg dat u de instructies hebt begrepen voordat u het opzetstuk gaat gebruiken.



Gebruik goedgekeurde gehoorbescherming. Gebruik goedgekeurde oogbescherming. Gebruik een stofmasker wanneer het risico van het vrijkomen van stof bestaat.



Dit opzetstuk voldoet aan de geldende EG-richtlijnen.



Dit product voldoet aan geldende VK-regelgeving.



Draaiende delen. Houd de handen en voeten uit de buurt. De pijl geeft de rotatierichting aan.



Gebruik altijd goedgekeurde veiligheidshandschoenen.



Gebruik stevige antislipplazzen.



Waarschuwing voor weggeslingerde en afgeketste voorwerpen.



De gebruiker moet erop toezien dat er geen personen of dieren dichterbij dan 15 m bij de machine komen. Indien meerdere gebruikers in hetzelfde gebied werken, moet de veiligheidsafstand minimaal 15 m bedragen. Het opzetstuk kan voorwerpen met geweld wegslingeren, die terug kunnen kaatsen. Dit kan leiden tot ernstig oogletsel, als de aanbevolen veiligheidsuitrusting niet wordt gebruikt.



Houd personen en dieren op een minimale afstand van 15 m (50 ft) tijdens het gebruik van dit product.



Houd alle lichaamsdelen uit de buurt van de hete oppervlakken.



Geluidsemissies naar het omgevingslabel volgens de richtlijnen en voorschriften van de EU en het VK en de wetgeving van Nieuw-Zuid-Wales "Protection of the Environment Operations (Noise Control) Regulation 2017". Het gegarandeerde geluidsvermogensniveau van het product staat vermeld in *Technische gegevens* op pagina 139 en op het label.

Let op: Overige op het opzetstuk aangegeven symbolen/plaatjes verwijzen naar specifieke eisen aan certificering voor bepaalde markten.

Veiligheid

Veiligheidsdefinities

Waarschuwingen, voorzorgsmaatregelen en opmerkingen worden gebruikt om te wijzen op belangrijke delen van de gebruikershandleiding.



WAARSCHUWING: Wordt gebruikt om te wijzen op de kans op ernstig of fataal letsel voor de gebruiker of omstanders wanneer de instructies in de handleiding niet worden gevolgd.



OPGELET: Wordt gebruikt indien er een risico bestaat op schade aan het product en/of het hulpstuk, andere materialen of aan de omgeving wanneer de instructies in de handleiding niet worden gevolgd.

Let op: Geven verdere informatie die nodig is in een bepaalde situatie.

Algemene veiligheidsinstructies



WAARSCHUWING: Lees de volgende veiligheidsinstructies voordat u het opzetstuk gebruikt.

- Lees de gebruikershandleiding zorgvuldig door en zorg dat u de instructies hebt begrepen voordat u het opzetstuk gebruikt.
- Deze instructies vormen een aanvulling op de instructies die bij het product zijn geleverd. Raadpleeg de bedieningsinstructies van het product voor andere procedures.
- De oorspronkelijke vormgeving van het opzetstuk mag in geen enkel geval gewijzigd worden zonder toestemming van de fabrikant. Gebruik nooit een opzetstuk dat gewijzigd lijkt te zijn door anderen, en gebruik altijd originele accessoires. Niet goedgekeurde wijzigingen en/of niet-originele onderdelen kunnen tot ernstig persoonlijk letsel of de dood van zowel gebruiker als omstanders leiden.

Lees alle instructies



WAARSCHUWING: Bij het gebruik van elektrisch tuingereedschap dienen de basisveiligheidsinstructies altijd te worden opgevolgd om het risico op brand, elektrische schokken en persoonlijk letsel te beperken:

Veiligheidsinstructies voor de verticuteermachine

- Laat kinderen, personen met lichamelijke, zintuiglijke of geestelijke beperkingen of gebrek aan ervaring en kennis of mensen die niet bekend zijn met deze instructies het product nooit gebruiken. Er kunnen plaatselijke regels zijn met betrekking tot de minimumleeftijd voor het bedienen van dit apparaat.
- Bedien het product nooit terwijl er mensen, in het bijzonder kinderen, of huisdieren in de buurt zijn.
- Reik niet te ver en zorg altijd voor een goed evenwicht. Wees altijd voorzichtig op hellingen. U dient uitsluitend te lopen, nooit te rennen.
- Raak geen gevaarlijke bewegende onderdelen aan voordat de machine is losgekoppeld van de netspanning en de gevaarlijke bewegende onderdelen volledig tot stilstand zijn gekomen.
- Draag tijdens gebruik van de machine altijd stevig schoeisel en een lange broek.
- Verwijder de accu uit het product wanneer u het product onbeheerd achterlaat, voordat u een verstopping verwijdert en voordat u het product reinigt of er werkzaamheden aan uitvoert.
- Verwijder de accu uit het product voordat u het product onderzoekt op schade wanneer bijvoorbeeld een vreemd voorwerp is geraakt of wanneer het product abnormaal begint te trillen.

- Sluit geen beschadigd snoer aan op het stopcontact en raak een beschadigd snoer niet aan voordat het is losgekoppeld van het stopcontact. Een beschadigd snoer kan leiden tot contact met onder spanning staande onderdelen en kan ernstig of dodelijk letsel tot gevolg hebben.
- Gebruik het product nooit met defecte beschermkappen/afschermingen, zonder veiligheidsvoorzieningen of als het snoer beschadigd of versleten is.
- Houd verlengsnoeren uit de buurt van gevaarlijke bewegende onderdelen om schade aan de snoeren te voorkomen die kunnen leiden tot contact met onder spanning staande onderdelen.
- Sluit het product alleen aan op een voedingscircuit dat is beveiligd door een aardlekschakelaar met een uitschakelstroom van maximaal 30 mA.
- Gebruik het product niet bij slechte weersomstandigheden, vooral wanneer er een risico op bliksem bestaat.

Veiligheidsinstructies voor bediening

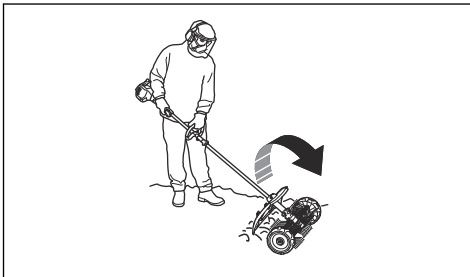


WAARSCHUWING: Lees de volgende waarschuwingen voordat u het product gaat gebruiken.

- De stopschakelaar gaat automatisch terug naar startstand. Voorkom onbedoeld starten bij het monteren, controleren en/of uitvoeren van onderhoud. Als u een product hebt dat op benzine werkt, koppelt u de bougiekap los van de bougie. Als u een product hebt dat op een accu werkt, verwijdert u de accu.
- Kijk uit voor wegschietende objecten. Draag altijd oogbescherming. Leun nooit over de ontmosser. Stenen, afval, enzovoort kunnen omhoog schieten in uw ogen en blindheid of ernstig letsel veroorzaken.
- Het tandwiel kan tijdens gebruik heet worden en enige tijd heet blijven. Bij contact bestaat risico van brandwonden.
- De borstelrommels hebben niet dezelfde kracht als bijvoorbeeld de bladen van een gazonmaaier, maar u kunt beter voorkomen dat materiaal bij het uitwerpen persoonlijk letsel of schade aan eigendommen veroorzaakt.
- Gebruik de machine nooit zonder de mogelijkheid hulp in te roepen in geval van nood.
- Gebruik de machine alleen voor het beoogde doel.
- Gebruik de machine nooit als u moe bent, alcohol heeft gedronken of medicijnen heeft ingenomen die uw gezichtsvermogen, beoordelingsvermogen of coördinatievermogen negatief beïnvloeden.
- Gebruik de machine nooit bij extreme klimaatomstandigheden zoals strenge kou of een zeer warm en/of vochtig klimaat.
- Gebruik nooit een machine die defect is. Voer de in deze handleiding beschreven veiligheidscontroles en de onderhouds- en service-instructies uit. Bepaalde

onderhouds- en servicemaatregelen moeten door opgeleide en gekwalificeerde specialisten worden uitgevoerd. Zie de instructies in het hoofdstuk Onderhoud.

- Laat nooit kinderen de machine gebruiken.
- Laat nooit iemand anders de machine gebruiken zonder dat u zeker weet dat hij of zij de gebruikershandleiding heeft gelezen en begrepen.
- Houd onbevoegden op afstand. Kinderen, dieren, toeschouwers en helpers moeten zich buiten de veiligheidszone van 15 m bevinden terwijl u werkt. Schakel de machine onmiddellijk uit indien iemand dichterbij komt.
- Wanneer u in een situatie belandt waarin u niet goed weet hoe u verder te werk moet gaan, moet u een expert raadplegen. Wend u tot uw dealer of uw servicewerkplaats.
- Gebruik de machine nooit voor taken waarvoor u niet voldoende gekwalificeerd bent.
- Controleer de omgeving en vergewis u ervan dat er geen risico bestaat dat mensen of dieren in contact komen met het product of uw controle over het product belemmeren.
- Let als u gehoorbescherming draagt op waarschuwingssignalen of geschreeuw. Doe uw gehoorbescherming altijd af zodra de motor is gestopt.
- Gebruik de machine niet in ongunstige weersomstandigheden, bijv. bij dichte mist, hevige regen, harde wind, hevige koude enz. Werken in slechte weersomstandigheden is vermoeiend en kan tot extra gevaarlijke situaties leiden, zoals een gladde grond.
- Zorg ervoor dat u veilig kunt gaan en staan. Controleer of er eventuele hindernissen zijn als u onverwacht snel moet kunnen weggelopen (wortels, stenen, takken, kuilen, greppels enz.). Wees extra voorzichtig wanneer u op hellend terrein werkt.



- Bij verplaatsen moet de motor uitgezet worden.
- Leg de machine nooit neer terwijl de motor draait, tenzij u er goed zicht op hebt.
- Gebruik altijd beide handen om de machine vast te houden. Houd de machine altijd met beide handen vast.
- Zorg dat uw handen en voeten niet vlak bij de ontmosser komen wanneer deze is ingeschakeld.

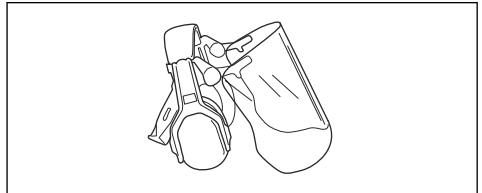
- Houd na het uitschakelen van de motor uw handen en voeten uit de buurt van de ontmosser totdat deze volledig tot stilstand is gekomen.
- Stop de machine als er zware trillingen optreden. Als u een product hebt dat op benzine werkt, koppelt u de HS-kabel los van de bougie. Als u een product hebt dat op een accu werkt, verwijdert u de accu uit het product. Controleer of de machine niet beschadigd is. Repareer eventuele beschadigingen.

Persoonlijke beschermingsuitrusting

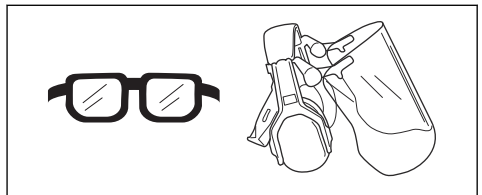


WAARSCHUWING: Lees de volgende waarschuwingen voordat u het product gaat gebruiken.

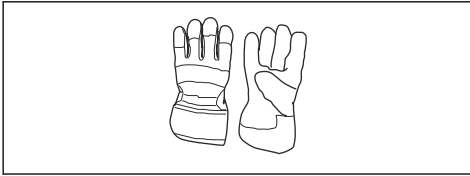
- Draag tijdens het gebruik van het product altijd goedgekeurde persoonlijke beschermingsuitrusting. Persoonlijke beschermingsuitrusting kunnen niet alle risico's uitsluiten maar kunnen de ernst van eventueel letsel helpen beperken. Vraag uw dealer u te helpen bij het kiezen van de juiste beschermingsmiddelen.
- Gebruik goedgekeurde gehoorbescherming met voldoende dempvermogen. Langdurige blootstelling aan lawaai kan leiden tot permanente gehoorbeschadiging.



- Gebruik goedgekeurde oogbescherming. Als u een vizier gebruikt, moet u ook een goedgekeurde veiligheidsbril gebruiken. Een goedgekeurde veiligheidsbril moet voldoen aan de norm ANSI Z87.1 voor de VS of EN 166 voor de EU-landen.



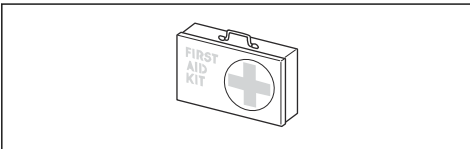
- Draag zo nodig handschoenen, bijvoorbeeld bij het monteren, inspecteren of reinigen van de snijuitrusting.



- Gebruik beschermende laarzen met stalen neuzen en antislipzolen.



- Gebruik kleding van stevige stof. Gebruik altijd een zware lange broek en lange mouwen. Gebruik geen loszittende kleding die gemakkelijk kan blijven haken aan takjes en struikgewas. Draag geen sieraden, korte broek of sandalen of loop niet op blote voeten. Bind voor de veiligheid lang haar samen tot boven schouderhoogte.
- Houd een EHBO-doos binnen handbereik.



Veiligheidsvoorzieningen op het opzetstuk



WAARSCHUWING: Lees de volgende waarschuwingen voordat u het opzetstuk gebruikt.

In dit hoofdstuk worden de veiligheidsfuncties van het opzetstuk beschreven, welke functie ze hebben en hoe controles en onderhoud moeten worden uitgevoerd om hun goede werking te waarborgen. Zie de instructies onder het kopje *Overzicht opzetstukken op pagina 132* om te zien waar deze onderdelen zich bevinden op uw opzetstuk.

De levensduur van het opzetstuk kan worden verkort en het risico op ongevallen kan toenemen wanneer het onderhoud van het opzetstuk niet op de juiste manier plaatsvindt, en wanneer service en/of reparaties niet vakkundig worden uitgevoerd. Indien u meer informatie nodig hebt, verzoeken wij u contact op te nemen met de dichtstbijzijnde onderhoudsdealer.



WAARSCHUWING: Gebruik een opzetstuk nooit wanneer de veiligheidsvoorzieningen defect zijn. De

veiligheidsuitrusting van het opzetstuk moet geïnspecteerd en onderhouden worden zoals beschreven in dit hoofdstuk. Als uw opzetstuk een van deze controles niet doorstaat, moet u contact opnemen met uw servicewerkplaats om uw unit te laten repareren.



WAARSCHUWING: Om service en reparaties aan het product uit te voeren, moet u een speciale opleiding hebben. Dit geldt met name voor de veiligheidsuitrusting van het product. Als uw product een van de volgende controles niet goed doorstaat, moet u ermee naar uw servicewerkplaats gaan. Als u één van onze producten koopt, garandeert dit dat de reparaties en service door een vakman kunnen worden uitgevoerd. Als u uw product hebt gekocht bij één van onze dealers die geen servicewerkplaats heeft, vraag dan waar de dichtstbijzijnde erkende werkplaats is.

Veiligheidsinstructies voor onderhoud



WAARSCHUWING: Lees de volgende waarschuwingen voordat u onderhoud uitvoert.



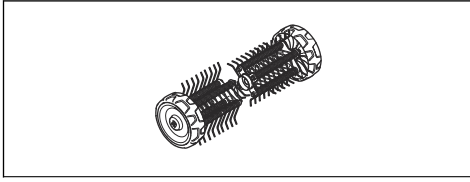
WAARSCHUWING: Schakel altijd het product uit voordat u onderhoud aan het opzetstuk uitvoert. Wees voorzichtig, het opzetstuk kan blijven draaien, zelfs nadat de gashendel/voedingsschakelaar is losgelaten. Zorg ervoor dat het opzetstuk volledig is gestopt. Als u een product hebt dat op benzine werkt, koppelt u de HS-kabel los van de bougie. Als u een product hebt dat op een accu werkt, verwijdert u de accu.



WAARSCHUWING: Gebruik altijd veiligheidshandschoenen.

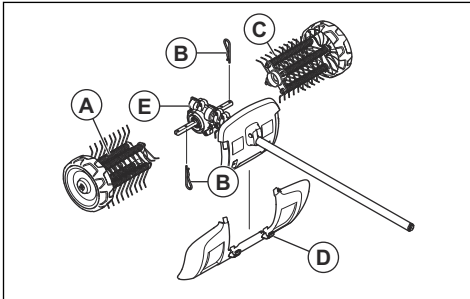
- Controleer het gehele product voordat u begint. Controleer of alle beschermkappen en afdekkingen compleet zijn en goed vastzitten. Controleer alle moeren en schroeven.
- Als u een product hebt dat op benzine werkt, controleer dan of er geen brandstoflekkage is.

- Vervang beschadigde onderdelen.



Montage

Het opzetstuk monteren

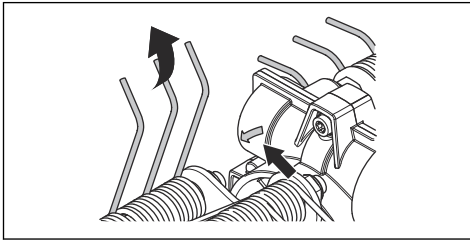


De pijl op het tandwielhuis geeft de draairichting aan. Het tandwielhuis moet worden geplaatst zoals op de afbeelding wordt weergegeven.

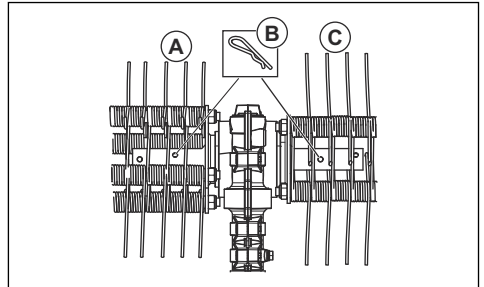
BELANGRIJK:

De rollen van de ontmosser zijn voorzien van pijlen die de rotatierichting aangeven. Zorg ervoor dat de rollen van de ontmosser correct worden gemonteerd.

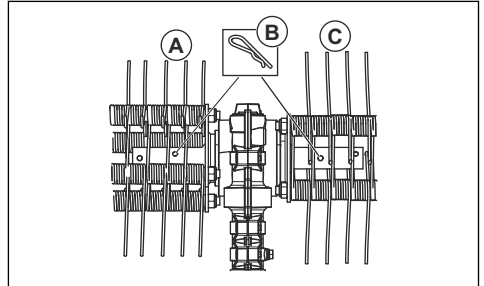
De rollen van de ontmosser moeten enigszins versprongen ten opzichte van elkaar worden gemonteerd. De veren van de ontmosser moeten in dezelfde richting wijzen als de draairichtingpijl op het tandwielhuis.



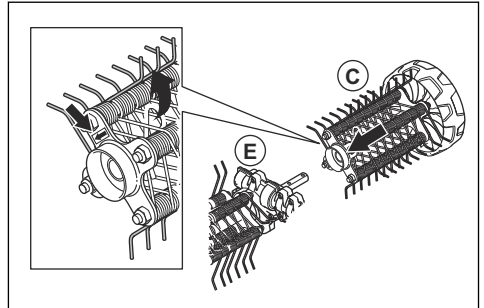
1. Druk de linker ontmosser (A) op de linker aandrijfas van het tandwielhuis (E).



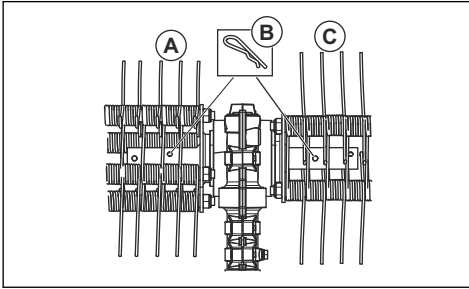
2. Zet de rol van de ontmosser vast met de splitpen (B) in de binnenste opening in de as.



3. Druk de rechter ontmosser (C) op de rechter aandrijfas van het tandwielhuis (E).



4. Zet de rol van de ontmosser vast met de splitpen (B) in de binnenste opening in de as.



5. Monteer de spatbeschermkap met de snelkoppelingen (D).

Let op: Voor montage van accessoires op een basisproduct, raadpleegt u de handleiding voor het basisproduct.

Werking

Het product starten met een koude motor

Als u een product hebt dat op benzine werkt, volg dan deze instructies om het product te starten met een koude motor.

1. Laat het basisproduct warmlopen en schakel het vervolgens uit.
2. Monteer het opzetstuk volgens de montage-instructies.
3. Als u de carburateur afstelt, moet u zorgen dat de verticuteermachine tegen de grond worden gehouden en dat er niemand in de buurt is.
4. Laat de ontmosser stationair draaien.
5. Controleer of de handvat- en veiligheidsfuncties in orde zijn. Gebruik nooit een product waarvan een onderdeel ontbreekt of dat, buiten de specificatie om, gewijzigd is.

Het opzetstuk gebruiken

1. Laat de ontmosser met vol (of bijna vol) gas draaien terwijl de wielen op het oppervlak rusten.

Let op: Het is vermoeiend en niet nodig om de ontmosser boven het oppervlak te tillen of te houden tijdens het werken.

2. Houd een kleine werkhoeck aan ten opzichte van het oppervlak. Bij een grote werkhoeck kan de ontmosser naar u toe bewegen en riskeert u de controle over het product kwijt te raken.



Onderhoud

Inleiding

Hieronder worden algemene onderhoudsvorschriften opgesomd. Neem contact op met uw dealer indien u meer informatie behoeft.

Onderhoud uitvoeren aan de bevestiging



OPGELET: Het werken met de ontmosser vindt vaak plaats in stoffige omstandigheden. Als u een product hebt dat op benzine werkt, is het voor een goede werking uitermate belangrijk het luchtfilter

regelmatig, vaak dagelijks, te controleren en te smeren.

Zie de bedieningshandleiding van de voedingseenheid voor onderhoudsinstructies.



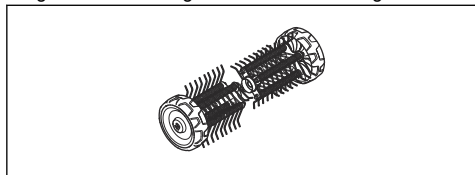
WAARSCHUWING: Draag altijd veiligheidshandschoenen wanneer u onderhoud aan het opzetstuk uitvoert.



WAARSCHUWING: Het tandwielhuis is warm wanneer het product is gebruikt. Raak de overbrenging niet aan om brandwonden te voorkomen.

2. Reinig de wielen als ze niet vrij ronddraaien.

1. Controleer of de ontmosser niet draait wanneer de gashendel/voedingsschakelaar wordt losgelaten.



Vervoer, opslag en verwerking

Transport en opbergen

Als u het opzetstuk op een ander voertuig vervoert, moet u altijd goedgekeurde bevestigingen gebruiken en ervoor zorgen dat het hulpstuk stevig vastzit.

Zorg ervoor dat het opzetstuk goed is schoongemaakt en dat een volledige servicebeurt is uitgevoerd voor een langdurige opslag.

Technische gegevens

Technische gegevens voor producten die op benzine werken

Ontmosser	DT600
Breedte, mm	556
Gewicht	
Gewicht, kg	6,5
Geluidsemissies ⁷⁹	
Geluidsvermogeniveau, gemeten dB(A)	105
Geluidsvermogeniveau, gegarandeerd L _{WA} dB (A)	109
Geluidsniveau ⁸⁰	
Equivalent geluidsdrumniveau bij het oor van de gebruiker, gemeten volgens EN ISO 22868, dB (A):	95
Trillingen ⁸¹	

⁷⁹ Gemeten met door Husqvarna goedgekeurde accessoires. Geluidsemissie naar de omgeving gemeten als geluidsvermogen (L_{WA}) volgens EG-richtlijn 2000/14/EG. Het gerapporteerde geluidsvermogeniveau voor de machine is gemeten met de originele snijuitrusting die het hoogste niveau geeft. Het verschil tussen gegarandeerd en gemeten geluidsvermogen is dat het gegarandeerde geluidsvermogen ook spreiding in het meetresultaat omvat en de verschillen tussen de verschillende machines van hetzelfde model conform Richtlijn 2000/14/EG.

⁸⁰ Gemeten met door Husqvarna goedgekeurde accessoires. De gerapporteerde gegevens voor een vergelijkbaar geluidsdrumniveau voor de machine vertonen een typische statistische spreiding (standaardafwijking) van 1 dB(A).

⁸¹ Gemeten met door Husqvarna goedgekeurde accessoires. De gerapporteerde gegevens voor een vergelijkbaar trillingsniveau vertonen een typische statistische spreiding (standaardafwijking) van 1 m/s².

Ontmossers	DT600
Equivalent trillingsniveaus ($a_{hv,eq}$) in de handgrepen, gemeten volgens EN ISO 22867, m/s^2	
Voorste/achterste handgrepen	6,2/4,3

Technische gegevens voor producten die op een accu werken

325iLK + verticuteeropzetstuk DT600	
Breedte, mm	556
Gewicht	
Gewicht, kg	2,3+6,5
Geluidsemissies ⁸²	
Geluidsvermogensniveau, gemeten dB(A)	89
Geluidsniveau ⁸³	
Geluidsdrukniveau bij het oor van de gebruiker, gemeten volgens EN ISO 22868, dB (A):	77
Trillingen ⁸⁴	
Trillingsniveaus in de handgrepen, gemeten volgens EN 62841-1, m/s^2	
Voorste/achterste handgrepen	1,9/2,6
Uitgerust met goedgekeurde accessoire (origineel), links/rechts	1,9/2,6

⁸² De gerapporteerde gegevens voor het geluidsvermogensniveau voor de machine vertonen een typische statistische spreiding (standaardafwijking) van 3 dB (A) en zijn gemeten met het originele opzetstuk dat het hoogste niveau geeft.

⁸³ De gerapporteerde gegevens voor het geluidsdrukniveau van de machine vertonen een typische statistische spreiding (standaardafwijking) van 3 dB (A) en zijn gemeten met het originele opzetstuk dat het hoogste niveau geeft.

⁸⁴ De gerapporteerde gegevens voor een trillingsniveau vertonen een typische statistische spreiding (standaardafwijking) van 2 m/s^2 . Gebruik voor vergelijking van trillingsniveaus, accu's en verbrandingsproducten de trillingscalculator. <https://www.husqvarna.com/uk/services-solutions/vibration-calculator/>.

Verklaring van overeenstemming

EU-verklaring van overeenstemming

Wij, **Husqvarna AB**, SE-561 82 Huskvarna,
Zweden, tel: +46-36-146500, verklaren onder onze
alleenverantwoordelijkheid dat het product:

Beschrijving	Ontmossers
Merk	Husqvarna
Type / model	DT600
Identificatie	Serienummers vanaf 2022 en verder

voldoen volledig aan de volgende EU-richtlijnen en
-regelgeving:

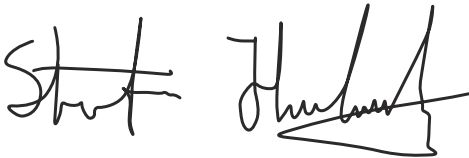
Richtlijn / Verorde- ning	Beschrijving
2006/42/EG	"betreffende machines"
2000/14/EG	"betreffende de geluidsemissies in het milieu"
2011/65/EU	"inzake beperking van het gebruik van bepaalde gevaarlijke stoffen in elektrische en elektro- nische apparatuur"

en dat de volgende normen en/of technische
specificaties zijn toegepast: EN ISO 12100:2010, EN
IEC 63000:2018

RISE SMP Svenska Maskinprovning AB, Box 7035,
SE-750 07 Uppsala, Sweden heeft namens Husqvarna
AB een niet-verplicht typeonderzoek uitgevoerd.

Certificaatnummer: SEC/15/2411

Huskvarna , 2022-03-14



Stefan Holmberg, Directeur R&D,
Technologiemanagement, Husqvarna AB

Verantwoordelijk voor technische documentatie



INNHold

Innledning.....	142	Vedlikehold.....	148
Sikkerhet.....	143	Transport, oppbevaring og avhending.....	148
Montering.....	146	Tekniske data.....	148
Drift.....	147	Samsvarserklæring.....	150

Innledning

Produktbeskrivelse

Vi arbeider løpende med å videreutvikle produktene våre og forbeholder oss derfor retten til endringer vedrørende bl.a. form og utseende uten varsel.

Merk: Denne bruksanvisningen dekker både bensindrevne og batteridrevne strømenheter.

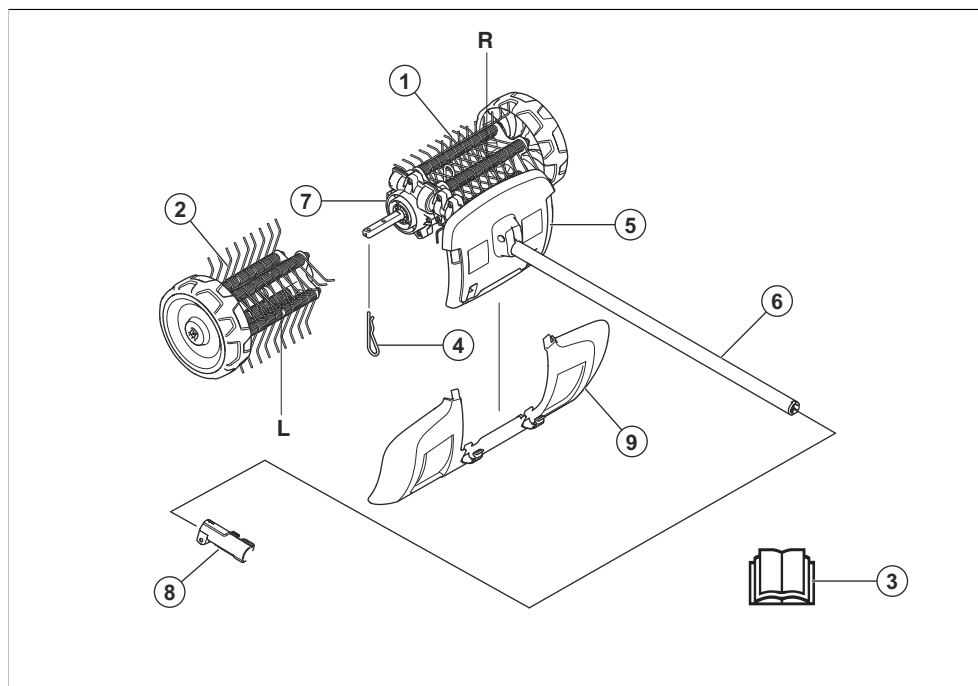
Bruksområder



ADVARSEL: Dette tilbehøret kan bare brukes sammen med det tiltenkte produktet. Se kapittelet om tilbehør i brukerhåndboken for produktet.

Tilbehøret er kun designet til å fjerne mose fra plen.

Oversikt over tilbehør



1. Vertikalskjærer for mose høyre
2. Vertikalskjærer for mose venstre
3. Bruksanvisning
4. Låsesplint
5. Beskyttelse (beskyttelse på riggrør)
6. Riggrør
7. Girhus
8. Riggrørkobling (følger med produktet)
9. Sprutbeskyttelse

Symboler på utstyret og strømenheten



Uforsiktig eller feilaktig bruk av dette utstyret kan resultere i alvorlige skader eller dødsfall for brukeren eller andre.



Les bruksanvisningen nøye, og forsikre deg om at du forstår instruksjonene før du bruker utstyret.



Bruk godkjent hørselsvern. Bruk godkjent øyevern. Bruk åndedrettsvern når det er risiko for støv.



Dette utstyret er i overensstemmelse med gjeldende EU-direktiver.



Dette produktet samsvarer med gjeldende britiske direktiver.



Roterende deler. Hold hender og føtter unna. Pilen indikerer rotasjonsretningen.



Bruk alltid godkjente vernehansker.



Bruk sklisikre og solide støvler.



Se opp for gjenstander som slynges ut og rikosjetterer.



Brukeren må sørge for at ingen mennesker eller dyr kommer nærmere enn 15 meter. Når flere brukere arbeider på samme sted, skal sikkerhetsavstanden være på minst 15 meter. Produktet kan kaste gjenstander med stor kraft, og disse kan sprette tilbake. Dette kan føre til alvorlige øyeskader hvis ikke anbefalt verneutstyr brukes.



Hold produktet minst 15 meter unna personer og dyr når du bruker det.



Hold alle deler av kroppen borte fra varme overflater.



Støyutslipp til omgivelsene som i EU-direktiver og forskrifter, britiske direktiver og forskrifter og New South Wales-forskriften «Protection of the Environment Operations (Noise Control) Regulation 2017». Garantert lydeffektnivå for produktet er angitt i *Tekniske data på side 148* og på etiketten.

Merk: Øvrige symboler/klistremerker på tilbehøret gjelder spesifikke krav for sertifiseringer på visse markeder.

Sikkerhet

Sikkerhetsdefinisjoner

Advarsler, oppfordringer og merknader brukes for å understreke spesielt viktige deler av bruksanvisningen.



ADVARSEL: Brukes hvis det er fare for personskade eller død for føreren eller andre personer om instruksjonene i håndboken ikke følges.



OBS: Brukes hvis det er fare for skade på produktet og/eller tilbehør, annet materiell eller det nærliggende området

hvis instruksjonene i bruksanvisningen ikke følges.

Merk: Brukes for å gi mer nødvendig informasjon for en spesifikk situasjon.

Generelle sikkerhetsinstruksjoner



ADVARSEL: Les de følgende sikkerhetsinstruksjonene før du bruker tilbehøret.

- Les nøye gjennom bruksanvisningen, og forstå innholdet før du bruker tilbehøret.
- Disse instruksjonene er et supplement til instruksjonene som ble levert med produktet. Se bruksanvisningen for produktet for informasjon om andre prosedyrer.
- Den opprinnelige konstruksjonen til tilbehøret må ikke under noen omstendigheter endres uten tillatelse fra produsenten. Ikke bruk et tilbehør som ser ut til å ha blitt modifisert av andre, og bruk alltid originalt tilleggsutstyr. Uautoriserte endringer og/eller tilleggsutstyr kan medføre alvorlige skader eller dødsfall for brukeren eller andre.

- Koble bare til produktet en strømtilførselskrets som er beskyttet av en reststrømnettet (RCD) med en strømutføring på ikke mer enn 30 mA.
- Ikke bruk produktet i dårlig vær, spesielt når det er fare for tordenvær.

Sikkerhetsinstruksjoner for drift



ADVARSEL: Les de følgende advarselinstruksjonene før du bruker produktet.

- Stoppekontakten går automatisk tilbake til startstilling. Pass på å forhindre utilsiktet oppstart ved montering, kontroll og/eller vedlikehold. Hvis du har et bensindrevet produkt, fjerner du tennpluggen fra tennpluggen. Hvis du har et batteridrevet produkt, tar du ut batteriet.
- Se opp for gjenstander som slynges ut. Bruk alltid vernebriller. Ikke len deg over vertikalskjæren for mose. Steiner, skrot o.l. kan kastes opp i øynene og forårsake blindhet eller alvorlige skader.
- Giret kan være varmt under og en stund etter bruk. Det er risiko for brannskade ved berøring.
- Selv om børstetromlene ikke har den samme kraften som gressklipperblader for eksempel har, bør du unngå å arbeide med materialer som kan forårsake personskader eller skader på eiendeler hvis de slynges ut.
- Bruk aldri maskinen uten mulighet til å kunne påkalle hjelp ved en ulykke.
- Maskinen skal bare brukes til det den er beregnet på.
- Bruk aldri maskinen hvis du er trett, har drukket alkohol eller bruker medisiner som kan påvirke syn, vurderingsevne eller kroppskontroll.
- Bruk aldri maskinen i ekstreme klimaforhold som sterk kulde eller meget varmt og/eller fuktig klima.
- Bruk aldri en maskin som det er noe galt med. Utfør sikkerhetskontrollene og vedlikeholds- og serviceinstruksjonene i denne bruksanvisningen. Noen vedlikeholds- og servicetiltak må utføres av erfarne og kvalifiserte spesialister. Se instruksjonene under overskriften Vedlikehold.
- Tillat aldri barn å bruke maskinen.
- La aldri noen andre bruke maskinen før du har forsikret deg om at de har lest og forstått innholdet i bruksanvisningen.
- Hold uvedkommende på avstand. Barn, dyr, tilskuere og hjelpere bør stå utenfor sikkerhetssonen på 15 meter mens du arbeider. Stopp maskinen øyeblikkelig hvis noen kommer nærmere.
- Når du kommer ut for en situasjon som gjør deg usikker på fortsatt bruk, skal du rådføre deg med en ekspert. Henvend deg til din forhandler eller ditt serviceverksted.
- Unngå all bruk som du ikke føler deg kvalifisert til.
- Observer omgivelsene, og forsikre deg om at det ikke er noen fare for at mennesker eller dyr kan

Les alle instruksjonene.



ADVARSEL: Når du bruker elektriske hagemaskiner, må du alltid følge de grunnleggende sikkerhetsreglene for å redusere faren for brann, elektrisk støt og personskade, blant annet følgende regler:

Sikkerhetsinstruksjoner for vertikalskjærer

- La aldri barn, personer med nedsatt fysisk, sanselig eller psykisk funksjonsevne eller manglende erfaring og kunnskap, eller personer som ikke er kjent med disse instruksjonene, bruke produktet. Brukerens lavalder kan være fastsatt i lokale forskrifter.
- Bruk aldri produktet i nærheten av andre personer, spesielt barn, eller kjæledyr.
- Ikke vær for ivrig, og behold alltid balansen. Pass alltid på at du står støtt i skråninger, og du skal gå og aldri løpe.
- Ikke berør bevegelige farlige deler før maskinen kobles fra strømmettet, og de bevegelige farlige delene har stanset helt.
- Bruk alltid kraftig fottey og langbukser når du bruker maskinen.
- Fjern batteriet fra produktet når produktet er uten tilsyn, før du fjerner en tilstopping og før rengjøring eller arbeid på produktet.
- Fjern batteriet fra produktet før du ser etter skader på produktet, f.eks. når du treffer et fremmedlegeme eller hvis produktet begynner å vibrere unormalt.
- Ikke koble en skadet ledning til strømforsyningen, og ikke ta på en skadet ledning før den kobles fra strømforsyningen. En skadet ledning kan føre til kontakt med strømførende deler og kan føre til personskade eller død.
- Bruk aldri produktet med defekte deksler, uten sikkerhetsinnretninger eller hvis ledningen er skadet eller slitt.
- Hold skjøteledningene unna farlige bevegelige deler for å unngå skader på ledningene som kan føre til kontakt med strømførende deler.

komme i kontakt med eller påvirkes av din bruk av produktet.

- Vær alltid oppmerksom på varsignaler eller tilrop ved bruk av hørselsvern. Ta alltid av hørselvernet så snart motoren er stanset.
- Unngå bruk i dårlig vær, for eksempel tett tåke, kraftig regn, sterk vind, kraftig kulde osv. Arbeid i dårlig vær er slitsomt og kan medføre ekstra risiko, for eksempel glatt og isete underlag.
- Sørg for at du kan gå og stå sikkert. Se etter eventuelle hinder ved uventet forflytting (røtter, steiner, greiner, groper, forhøyninger osv.). Vær meget forsiktig ved arbeid i skrånende terreng.



- Ved flytting av produktet skal motoren være slått av.
- Sett aldri maskinen ned med motoren i gang uten at du har det under oppsikt.
- Bruk alltid begge hendene til å holde i maskinen. Hold maskinen ved siden av kroppen.
- Påse at hender og føtter ikke kommer for nær vertikalskjæreren for mose når den er i gang.
- Når motoren er slått av, må du holde hender og føtter unna vertikalskjæreren for mose til den har stanset helt.
- Hvis kraftige vibrasjoner oppstår, må du stoppe maskinen. Hvis du har et bensindrevet produkt, kobler du tennpluggkabelen fra tennpluggen. Hvis du har et batteridrevet produkt, tar du batteriet ut av produktet. Kontroller at maskinen ikke er skadet. Reparer eventuelle skader.

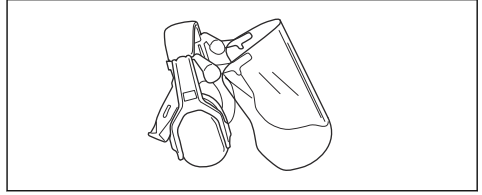
Personlig verneutstyr



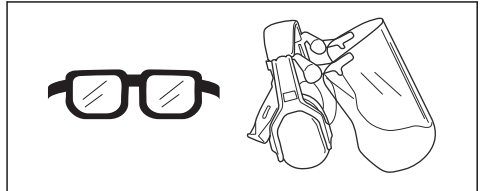
ADVARSEL: Les de følgende advarelinstruksjonene før du bruker produktet.

- Benytt alltid godkjent verneutstyr når du bruker produktet. Verneutstyr kan aldri fullstendig forhindre skade, men det reduserer skadeomfanget hvis ulykken inntreffer. Spør forhandleren din om hjelp til å velge riktig utstyr.

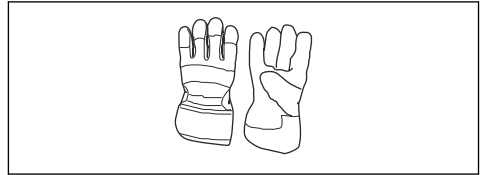
- Bruk godkjent hørselsvern med tilstrekkelig lydempende virkning. Langvarig eksponering for støy kan gi varige hørselsskader.



- Bruk godkjent øyevern. Ved bruk av visir skal det også brukes godkjente vernebriller. Godkjente vernebriller er slike som tilfredsstiller standard ANSI Z87.1 for USA eller EN 166 for EU-land.



- Bruk hansker når det er nødvendig, for eksempel når du fester, undersøker eller rengjør skjæreutstyret.



- Bruk vernestøvler med ståltå og sklisikre såler.



- Bruk klær av et slitesterkt materiale. Bruk alltid tykke langbukser og lange ermer. Unngå bruk av altfor vide klær som lett henger seg fast i kvister og grener. Ikke bruk smykker, kortbukser eller sandaler, og ikke gå barbert. Sett håret opp over skuldernivå.
- Ha førstehjelpsutstyr for hånden.



Sikkerhetsutstyr på tilbehøret



ADVARSEL: Les de følgende advarelinstruksjonene før du bruker tilbehøret.

I dette avsnittet forklares tilbehørets sikkerhetsfunksjoner, hvilken funksjon de har, og hvordan man utfører kontroll og vedlikehold for å være sikker på at de fungerer. Se bruksanvisningen under overskriften *Oversikt over tilbehør på side 142* for å se hvor disse delene er plassert på ditt tilbehør.

Levetiden til tilbehøret kan forkortes, og risikoen for ulykker kan øke, hvis vedlikeholdet av tilbehøret ikke utføres på riktig måte, og hvis service og/eller reparasjoner ikke utføres fagmessig. Hvis du trenger ytterligere informasjon, kan du kontakte nærmeste servicesenter.



ADVARSEL: Bruk aldri et tilbehør med defekt sikkerhetsutstyr. Tilbehørets sikkerhetsutstyr skal kontrolleres og vedlikeholdes som beskrevet i dette avsnittet. Hvis tilbehøret ikke består alle kontrollene, må serviceverksted oppsøkes for reparasjon.



ADVARSEL: All service og reparasjon av produktet krever spesialopplæring. Dette gjelder særlig produktets sikkerhetsutstyr. Hvis produktet ikke består alle kontrollene som er oppgitt nedenfor, må du oppsøke et serviceverksted. Kjøp av våre produkter garanterer at du kan få utført en fagmessig reparasjon og service. Hvis produktet ikke kjøpes hos en av våre servicefaghandlere,

kan du spørre om hvor nærmeste serviceverksted er.

Sikkerhetsinstruksjoner for vedlikehold



ADVARSEL: Les de følgende advarelene før du utfører vedlikehold.

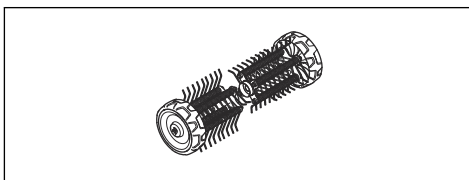


ADVARSEL: Stans alltid produktet før du utfører vedlikehold på tilbehøret. Vær forsiktig, tilbehøret kan fortsette å bevege seg også etter at gassen/kraftutløseren er sluppet. Kontroller at tilbehøret har stoppet helt. Hvis du har et bensindrevet produkt, kobler du tennpluggkabelen fra tennpluggen. Hvis du har et batteridrevet produkt, tar du ut batteriet.



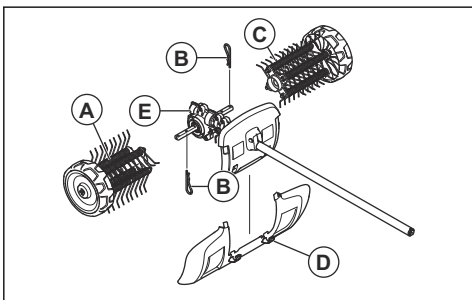
ADVARSEL: Bruk alltid vernehansker.

- Kontroller hele produktet før du starter. Kontroller at alle beskyttelser og deksler er hele og ordentlig festet. Kontroller alle muttere og skruer.
- Hvis du har et bensindrevet produkt, må du kontrollere at det ikke finnes drivstofflekkasjer.
- Skift skadede deler.



Montering

Slik monterer du tilbehøret

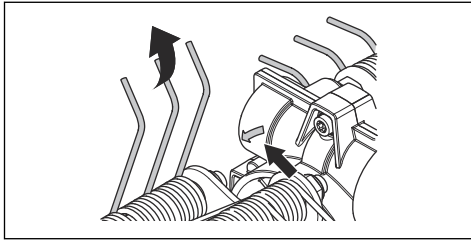


Pilen på girhuset indikerer rotasjonsretningen. Girhuset skal plasseres som på illustrasjonen.

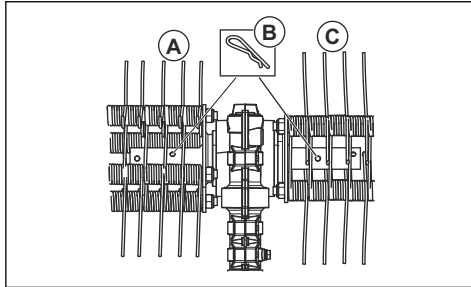
VIGTIG:

Rullene på vertikalskjæreren for mose er markert med piler som viser hvilken vei de ruller. Pass på at rullene på vertikalskjæreren for mose er riktig monteret.

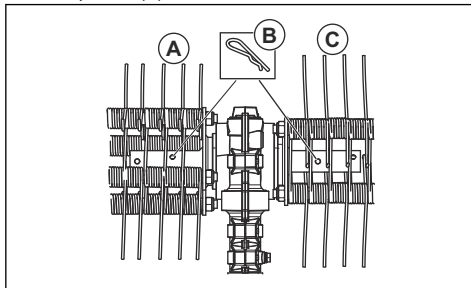
Rullene på vertikalskjæreren for mose skal monteres litt forskjøvet i forhold til hverandre. Fjærene til vertikalskjæreren for mose må peke i samme retning som pilen som viser rotasjonsretningen på girhuset.



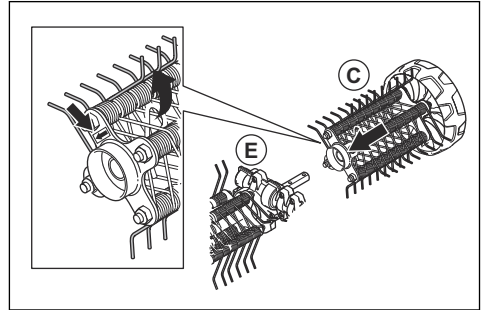
1. Trykk den venstre vertikalskjæreren for mose (A) inn på venstre aksel fra girhuset (E).



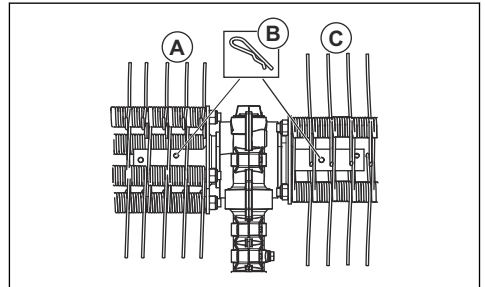
2. Fest rollen til vertikalskjæreren for mose med låsesplinten (B) i det indre hullet i akselen.



3. Trykk den høyre vertikalskjæreren for mose (C) inn på høyre aksel fra girhuset (E).



4. Fest rollen til vertikalskjæreren for mose med låsesplinten (B) i det indre hullet i akselen.



5. Monter sprutevernet med hurtigfestene (D).

Merk: Hvis du skal montere tilbehør på grunnleggende produkt, kan du se håndboken for det grunnleggende produktet.

Drift

Slik starter du produktet når motoren er kald

Hvis du har et bensindrevet produkt, må du følge disse instruksjonene for å starte produktet med kald motor.

1. Kjør det grunnleggende produktet varmt, og slå det deretter av.
2. Fest tilbehøret i henhold til instruksjonene.
3. Når du justerer forgasseren, må du sørge for at vertikalskjæreren holdes mot bakken, og at ingen andre er i nærheten.
4. Kjør vertikalskjæreren for mose på tomgang.

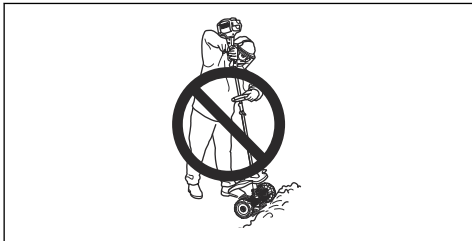
5. Sørg for at håndtak og sikkerhetsfunksjon er i orden. Bruk aldri et produkt som mangler deler eller er endret utover spesifikasjonene.

Slik bruker du tilbehøret

1. Kjør vertikalskjæreren for mose med full gass (eller nesten full gass) med hjulene hvilende på overflaten.

Merk: Det er både slitsomt og unødvendig å løfte eller holde vertikalskjæreren for mose over overflaten mens du arbeider.

2. Hold en spiss arbeidsvinkel mot overflaten. Hvis vinkelen er for stor, har vertikalskjæreren for mose en tendens til å bevege seg mot deg, og det er fare for at du mister kontroll over produktet.



Vedlikehold

Innledning

Nedenfor følger noen generelle vedlikeholdsinstruksjoner. Kontakt serviceverkstedet dersom du trenger ytterligere opplysninger.

Slik utfører du vedlikehold på tilbehøret



OBS: Vertikalskjæreren for mose brukes ofte under forhold med mye støv. Hvis du har et bensindrevet produkt, er det svært viktig å kontrollere luftfilteret jevnlig, ofte daglig, og smøre det slik at det fungerer optimalt.

Se vedlikeholdsinstruksjonene i brukerhåndboken for strømforsyningsenheten.

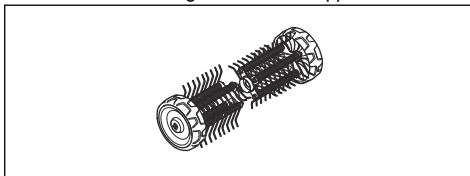


ADVARSEL: Bruk alltid vernehansker når du utfører vedlikehold på tilbehøret.



ADVARSEL: Girhuset blir varmt når produktet har vært i bruk. For å unngå brannskader må du ikke ta på giret.

1. Kontroller at vertikalskjæreren for mose ikke roterer når strøm-/gassutløseren slippes.



2. Rengjør hjulene hvis de ikke roterer fritt.

Transport, oppbevaring og avhending

Transport og oppbevaring

Hvis du transporterer tilbehøret på et annet kjøretøy må du alltid bruke godkjente festeenheter og forsikre deg om at tilbehøret er trygt festet.

Påse at tilbehøret er ordentlig rengjort og at fullstendig service er utført før langtids oppbevaring.

Tekniske data

Tekniske data for bensindrevne produkter

Vertikalskjærer for mose	DT600
Bredde, mm	556
Vekt	

Vertikalskjærer for mose	DT600
Vekt, kg	6,5
Støynivå ⁸⁵	
Lydeffektnivå, målt dB (A)	105
Lydeffektnivå, garantert L _{WA} dB (A)	109
Lydnivåer ⁸⁶	
Ekvivalent lydtrykksnivå ved brukerens øre, målt i henhold til EN ISO 22868, dB (A):	95
Vibrasjoner ⁸⁷	
Ekvivalente vibrasjonsnivåer (a _{nv,eq}) i håndtak, målt i henhold til EN ISO 22867, m/sek ²	
Fremre/bakre håndtak	6,2/4,3

Tekniske data for batteridrevne produkter

325iLK + vertikalskjærertilbehør DT600	
Bredde, mm	556
Vekt	
Vekt, kg	2,3 + +6,5
Støynivå ⁸⁸	
Lydeffektnivå, målt dB (A)	89
Lydnivåer ⁸⁹	
Lydtrykknivå ved brukerens øre, målt i henhold til EN ISO 22868, dB (A):	77
Vibrasjoner ⁹⁰	
Vibrasjonsnivåer i håndtak, målt i henhold til EN 62841-1, m/s ²	
Fremre/bakre håndtak	1,9/2,6
Utstyrt med godkjent tilbehør (originalt), venstre/høyre	1,9/2,6

⁸⁵ Målt sammen med tilbehør godkjent av Husqvarna. Utslipp av støy til omgivelsene målt som lydeffekt (L_{WA}) samsvarer med EF-direktiv 2000/14/EF. Rapporterte lydeffektnivåer for maskinen er målt med det originale skjæreutstyret som gir høyest nivå. Forskjellen mellom garantert og målt lydeffekt er at garantert lydeffekt også omfatter spredning i måleresultatet og variasjoner mellom forskjellige maskiner av samme modell, i henhold til direktivet 2000/14/EF.

⁸⁶ Målt sammen med tilbehør godkjent av Husqvarna. Rapporterte data for ekvivalent lydtrykksnivå for maskinen har en typisk statistisk spredning (standard avvik) på 1 dB(A).

⁸⁷ Målt sammen med tilbehør godkjent av Husqvarna. Rapporterte data for ekvivalent vibrasjonsnivå har en typisk statistisk spredning (standardavvik) på 1 m/s².

⁸⁸ Rapporterte data for lydtrykknivå for maskinen har en typisk statistisk spredning (standardavvik) på 3 dB (A) og er målt med originaltilbehør som gir det høyeste nivået.

⁸⁹ Rapporterte data for lydstrykenivå for maskinen har en typisk statistisk spredning (standardavvik) på 3 dB (A) og er målt med originaltilbehør som gir det høyeste nivået.

⁹⁰ Rapporterte data for vibrasjonsnivå har en typisk statistisk spredning (standardavvik) på 2 m/s². Bruk vibrasjonskalkulatoren for å sammenligne vibrasjonsnivåer, batteri- og bensindrevne produkter. <https://www.husqvarna.com/uk/services-solutions/vibration-calculator/>.

Samsvarserklæring

EU-samsvarserklæring

Vi, **Husqvarna AB**, SE-561 82 Huskvarna, Sverige, tlf.:
+46 36 146500, erklærer på eget ansvar at produktet:

Beskrivelse	Vertikalskjærer for mose
Merke	Husqvarna
Type/modell	DT600
ID	Serienumre datert 2022 og senere

fullstendig overholder følgende EU-direktiver og
-forskrifter:

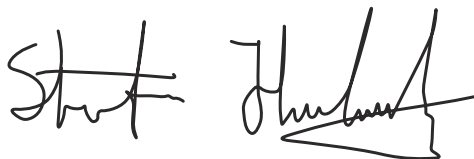
Direktiv/forordning	Beskrivelse
2006/42/EC	«angående maskiner»
2000/14/EC	«angående utslipp av støy til omgivelsene»
2011/65/EU	«om begrensning av bruk av visse farlige stoffer i elektrisk og elektronisk utstyr»

og at følgende standarder eller tekniske spesifikasjoner
er anvendt: EN ISO 12100:2010, EN IEC 63000:2018

RISE SMP Svenska Maskinprovning AB, Box 7035,
SE-750 07 Uppsala, Sweden har utført frivillig
typekontroll på vegne av Husqvarna AB.

Sertifikatnummer: SEC/15/2411

Huskvarna , 2022-03-14



Stefan Holmberg, FoU-direktør, teknologiledelse,
Husqvarna AB

Ansvarlig for teknisk dokumentasjon



SPIS TREŚCI

Wstęp.....	151	Przegląd.....	157
Bezpieczeństwo.....	152	Transport, przechowywanie i utylizacja.....	158
Montaż.....	156	Dane techniczne.....	158
Przeznaczenie.....	157	Deklaracja zgodności.....	160

Wstęp

Opis produktu

Nieustannie modernizujemy swoje wyroby, w związku z czym zastrzegamy sobie prawo do wprowadzania zmian dotyczących m.in. wyglądu produktów bez uprzedzenia.

Uwaga: Niniejsza instrukcja obejmuje zarówno zespoły napędowe zasilane benzyną, jak i akumulatorem.

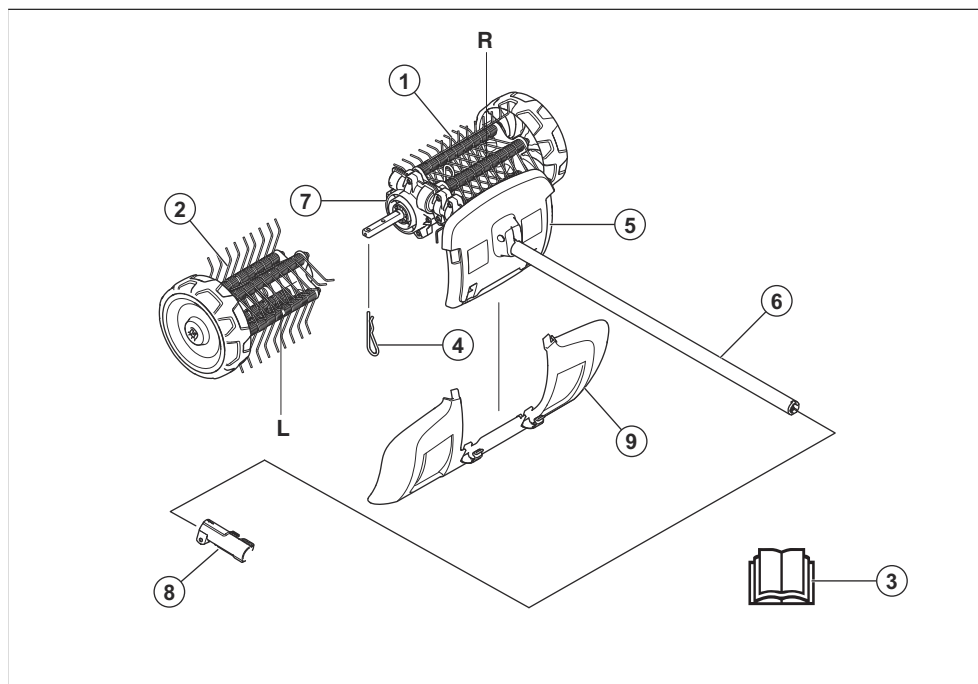
Przeznaczenie



OSTRZEŻENIE: Osprzętu można używać tylko łącznie z produktami, dla których jest ona przeznaczona; patrz rozdział dodatkowy w instrukcji obsługi produktu.

Osprzęt jest przeznaczony wyłącznie do usuwania mchu z trawników.

Przegląd osprzętu



- | | |
|-------------------------------------|---|
| 1. Prawy skaryfikator | 6. Wsięgnik |
| 2. Lewy skaryfikator | 7. Osłona przekładni |
| 3. Podręcznik użytkownika | 8. Łącznik wału (dołączony do produktu) |
| 4. Zawlecзка | 9. Osłona przeciwdopryskowa |
| 5. Osłona (zabezpieczenie na wałku) | |

Symbole na osprzęcie i na zespole napędowym



Nieuważne lub nieprawidłowe posługiwanie się osprzętem może być przyczyną poważnych obrażeń lub śmierci obsługującego bądź innych osób.



Uważnie przeczytać instrukcję obsługi i przed użyciem osprzętu upewnić się, że wszystkie wskazówki są zrozumiałe.



Stosować atestowane ochronniki słuchu. Stosować atestowane środki ochrony oczu. Jeśli istnieje ryzyko powstawania pyłu, należy stosować maskę przeciwpyłową.



Niniejszy osprzęt jest zgodny z obowiązującymi dyrektywami wspólnoty europejskiej.



Ten produkt jest zgodny z przepisami obowiązującymi w Wielkiej Brytanii.



Części obrotowe. Nie zbliżać rąk ani stóp. Strzałka wskazuje kierunek obrotu.



Należy zawsze używać zatwierdzonych rękawic ochronnych.



Używać przeciwpoślizgowego, stabilnego obuwia wysokiego.



Ostrzeżenie przed odrzucanymi i rykoszetującymi przedmiotami.



Operator musi upewnić się, że żadne osoby ani zwierzęta nie znajdują się w odległości mniejszej niż 15 m. Jeśli kilku operatorów pracuje w tym samym miejscu, musi być zachowana odległość bezpieczeństwa wynosząca co najmniej 15 m. Osprzęt jest w stanie odrzucać z dużą siłą przedmioty, które mogą odbić się z powrotem. Jeżeli nie jest stosowane zalecane wyposażenie ochronne, może to doprowadzić do poważnych urazów oczu.



Podczas korzystania z produktu należy zachować minimalną odległość 15 m / 50 stóp od innych osób lub zwierząt.



Trzymać wszystkie części ciała z dala od powierzchni gorących.



Etykieta emisji hałasu do środowiska zgodnie z dyrektywami oraz przepisami UE i Wielkiej Brytanii, a także przepisami Nowej Południowej Walii „Protection of the Environment Operations (Noise Control) Regulation 2017”. Gwarantowany poziom mocy akustycznej urządzenia jest określony w *Dane techniczne na stronie 158* oraz na etykiecie.

Uwaga: Pozostałe symbole/naklejki samoprzylepne umieszczone na osprzęcie tnącym dotyczą specjalnych wymogów, związanych z certyfikatami w poszczególnych krajach.

Bezpieczeństwo

Definicje dotyczące bezpieczeństwa

Ostrzeżenia, uwagi i informacje są używane do zwrócenia uwagi na szczególnie ważne sekcje instrukcji obsługi.



OSTRZEŻENIE: Stosuje się, gdy istnieje ryzyko poważnych obrażeń lub śmierci operatora albo osób postronnych w wyniku nieprzestrzegania instrukcji obsługi.



UWAGA: Stosuje się, gdy istnieje ryzyko uszkodzenia produktu i/lub przystawki, innych materiałów lub otoczenia w wyniku nieprzestrzegania instrukcji obsługi.

Uwaga: Stosuje się, aby przekazać więcej informacji, które są przydatne w danej sytuacji.

Ogólne zasady bezpieczeństwa



OSTRZEŻENIE: Przed rozpoczęciem użytkowania osprzętu należy przeczytać następujące zasady bezpieczeństwa.

- Należy dokładnie przeczytać instrukcję obsługi i przed użyciem osprzętu upewnić się, że wszystkie wskazówki zostały zrozumiane.
- Niniejsza instrukcja jest uzupełnieniem instrukcji dostarczonej z urządzeniem. Informacje o innych procedurach znajdują się w instrukcji obsługi urządzenia.
- Pod żadnym pozorem nie wolno zmieniać ani modyfikować fabrycznej konstrukcji osprzętu bez zezwolenia wydanego przez producenta. Nie należy używać osprzętu, który wydaje się zmodyfikowany przez inne osoby, oraz należy zawsze stosować oryginalne akcesoria. Samowolne wprowadzanie zmian oraz/lub montowanie wyposażenia niezatwierdzonego przez producenta może stać się przyczyną groźnych obrażeń lub śmierci obsługującego urządzenie bądź innych osób.

Należy przeczytać wszystkie instrukcje



OSTRZEŻENIE: Aby ograniczyć ryzyko pożaru, porażenia prądem i/lub poważnych obrażeń podczas korzystania z elektrycznego sprzętu ogrodniczego, należy zawsze stosować następujące podstawowe środki bezpieczeństwa:

Zasady bezpieczeństwa dotyczące skaryfikatora

- Nigdy nie pozwalać dzieciom, osobom o ograniczonych zdolnościach fizycznych, sensorycznych lub umysłowych, bądź nieposiadającym doświadczenia i wiedzy lub zdolności, a także osobom, które nie znają niniejszej instrukcji obsługi produktu, na używanie produktu. Przepisy lokalne mogą narzucać ograniczenia dotyczące wieku operatora urządzenia.
- Nigdy nie używać produktu, gdy w pobliżu znajdują się inne osoby, w szczególności dzieci lub zwierzęta.
- Nie należy się nadmiernie wychylać i należy przez cały czas utrzymywać równowagę. Na zboczach należy stawić stopy na stabilnym podłożu. Podczas korzystania z maszyny należy chodzić — nie biegać.
- Nie dotykać ruchomych niebezpiecznych części przed odłączeniem maszyny od sieci elektrycznej i całkowitym zatrzymaniem ruchomych części.
- Podczas obsługi maszyny należy zawsze nosić solidne obuwie i długie spodnie.
- Należy wyjmować akumulator z produktu zawsze, gdy jest on pozostawiany bez nadzoru, przed

usunieniem zakleszczenia oraz przed rozpoczęciem czyszczenia lub pracy z produktem.

- Przed przystąpieniem do badania produktu pod kątem uszkodzeń należy wyjąć z niego akumulator, np. w przypadku uderzenia innym przedmiotem lub wystąpienia nienormalnych drgań.
- Nie należy podłączać uszkodzonego przewodu do źródła zasilania ani dotykać uszkodzonego przewodu przed jego odłączeniem od źródła zasilania. Uszkodzony przewód może doprowadzić do kontaktu z częściami pod napięciem i spowodować obrażenia ciała lub śmierć.
- Nie wolno używać produktu z uszkodzonymi osłonami, bez urządzeń zabezpieczających ani z uszkodzonym lub zużyтым przewodem.
- Przedłużacze należy trzymać z dala od ruchomych niebezpiecznych części, aby uniknąć uszkodzenia przewodów, które mogą spowodować kontakt z częściami pod napięciem.
- Produkt należy podłączać wyłącznie do obwodu zasilania zabezpieczonego wyłącznikiem różnicowoprądowym (RCD) o prądzie wyzwalającym nie większym niż 30 mA.
- Nie używać produktu podczas złych warunków pogodowych, szczególnie jeśli istnieje ryzyko wystąpienia burzy.

Instrukcje bezpieczeństwa dotyczące obsługi

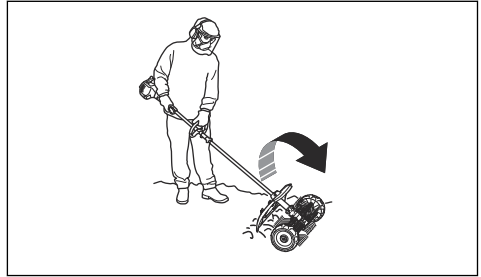


OSTRZEŻENIE: Przed rozpoczęciem użytkowania produktu przeczytać następujące ostrzeżenia.

- Wyłącznik powraca samoczynnie w położenie „start”. Upewnić się, że podczas montażu i sprawdzania produktu lub wykonywania czynności konserwacyjnych nie dojdzie do niezamierzonego uruchomienia. W przypadku produktów napędzanych benzyną należy odłączyć fajkę świecy zapłonowej od świecy. W przypadku urządzeń z napędem akumulatorowym wyjąć akumulator.
- Należy uważać na odrzucane przedmioty. Należy zawsze stosować środki ochrony wzroku. Nigdy nie nachylać się nad skaryfikatorem. Odrzucane przez urządzenie kamienie lub odłamki mogą trafić w oczy, powodując utratę wzroku lub inne poważne obrażenia.
- W czasie pracy przekładnia może rozgrzewać się do wysokiej temperatury, która może utrzymywać się na takim poziomie przez jakiś czas. Dotknięcie jej grozi oparzeniem.
- Mimo że szczerki w kształcie walca nie mają takiej samej siły, jak na przykład noże kosiarki, należy unikać pracy przy materiałach, które mogą wywołać obrażenia ciała lub uszkodzenie mienia w przypadku ich odrzucenia.

- Nigdy nie używaj maszyny, jeśli nie masz możliwości wezwania pomocy w razie wypadku.
- Używaj maszyny tylko zgodnie z jej przeznaczeniem.
- Nie wolno pracować maszyną w stanie przemęczenia, po spożyciu alkoholu lub po przyjęciu leków osłabiających wzrok, zdolność oceny i koordynację.
- Nigdy nie używaj urządzenia w ekstremalnych warunkach pogodowych i klimatycznych, np. przy bardzo dużym mrozie lub w bardzo gorącym lub/oraz wilgotnym klimacie.
- Nie wolno używać maszyny, jeśli jest uszkodzona. Przeprowadzać kontrole bezpieczeństwa oraz czynności z zakresu konserwacji i obsługi technicznej podane w niniejszej instrukcji. Niektóre czynności konserwacyjne i obsługowe muszą być wykonane przez przeszkolonego i wykwalifikowanego specjalistę. Patrz wskazówki w części zatytułowanej „Konserwacja”.
- Nigdy nie pozwalaj używać maszyny dzieciom.
- Nigdy nie pozwalaj używać maszyny innej osobie nie upewniwszy się, że przyswoiła sobie ona treść instrukcji obsługi.
- Nie pozwól osobom nieupoważnionym przebywać w pobliżu. Podczas obsługi urządzenia dzieci, zwierzęta, osoby postronne i pomocnicy powinni znajdować się w odległości co najmniej 15 m. W przypadku zbliżenia się osób trzecich natychmiast wyłącz maszynę.
- Jeżeli znajdziesz się w sytuacji, w której nie jesteś pewny prawidłowości dalszego sposobu postępowania, zasięgnij porady eksperta. Zwróć się do swojego dealera lub warsztatu obsługi technicznej.
- Nie podejmuj się pracy, gdy uważasz, że nie masz wystarczających kwalifikacji.
- Należy obserwować, co dzieje się w otoczeniu i upewnić się, czy nie zachodzi ryzyko, że ludzie lub zwierzęta mogą zetknąć się z osprzętem tnącym lub wpłynąć na kontrolowanie go.
- Mając założone ochronniki słuchu, należy zawsze być szczególnie uważnym na sygnały i zawołania ostrzegawcze. Ochronniki słuchu należy zdejmować zaraz po wyłączeniu silnika.
- Praca przy złej pogodzie, np. w czasie gęstej mgły, dużych opadów, silnego wiatru, dużego mrozu itp., jest męcząca i niesie ze sobą dodatkowe zagrożenia np. śliski grunt itp.
- Należy zapewnić sobie bezpieczne poruszanie i pozycję przy pracy. Przy poruszaniu się po powierzchni roboczej należy uważać na ewentualne przeszkody (korzenie, gałęzie, doły, rowy itp.).

Szczególną ostrożność należy zachować podczas pracy na terenie pochyłym.



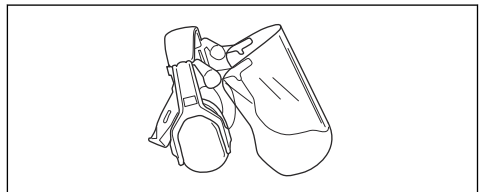
- Podczas przenoszenia silnik musi być wyłączony.
- Nigdy nie pozostawiać maszyny z włączonym silnikiem bez nadzoru.
- Maszynę należy zawsze trzymać obiema rękami. Trzymaj maszynę z boku tułowia.
- Należy uważać, aby podczas pracy skaryfikatora nie zbliżyć do niego rąk ani nóg.
- Po wyłączeniu silnika trzymać ręce i nogi z dala od skaryfikatora, dopóki całkowicie się nie zatrzyma.
- W przypadku wystąpienia silnych wibracji należy zatrzymać maszynę. W przypadku urządzeń napędzanych benzyną zdjąć przewód ze świecy zapłonowej. W przypadku urządzeń z napędem akumulatorowym należy wyjąć akumulator z produktu. Należy sprawdzić, czy maszyna nie jest uszkodzona. Naprawić maszynę, jeśli została uszkodzona.

Środki ochrony osobistej



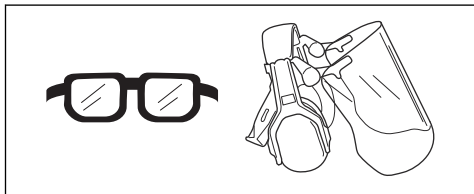
OSTRZEŻENIE: Przed rozpoczęciem użytkowania produktu przeczytać następujące ostrzeżenia.

- Podczas używania produktu należy zawsze mieć na sobie zatwierdzone środki ochrony osobistej. Środki ochrony osobistej nie eliminują ryzyka odniesienia obrażeń, ograniczają natomiast ich rozmiar w razie zaistnienia wypadku. Skorzystać z pomocy dealera przy wyborze odpowiedniego sprzętu.
- Stosować atestowane ochronniki słuchu o wystarczających właściwościach tłumiących. Długotrwałe przebywanie w hałasie może doprowadzić do trwałej utraty słuchu.

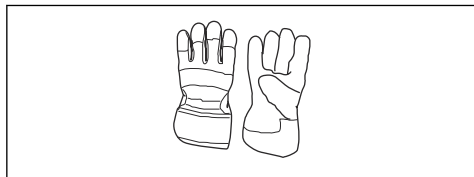


- Stosować atestowane środki ochrony oczu. Podczas używania maski ochronnej twarzy należy mieć na

sobie także zatwierdzone okulary ochronne. Za zatwierdzone okulary ochronne uważane są takie, które są zgodne z normami ANSI Z87.1 dla USA lub EN 166 dla krajów UE.



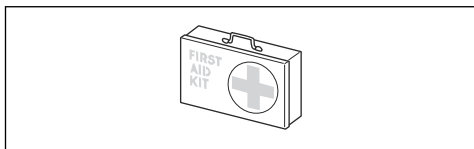
- W razie potrzeby, na przykład podczas mocowania, badania czy czyszczenia narzędzi tnących, stosować rękawice ochronne.



- Nosić buty ochronne ze stalowymi noskami i antypoślizgowymi podeszwami.



- Nosić odzież wykonaną z mocnego materiału. Nosić odzież z długimi nogawkami i długimi rękawami, wykonaną z mocnego materiału. Luźne części odzieży mogą zahaczyć o krzewy lub gałęzie. Nie nosić biżuterii, krótkich spodni ani sandałów i nie pracować z odsłoniętymi stopami. Utrzymywać włosy w sposób bezpieczny powyżej poziomu barków.
- Zawsze mieć pod ręką apteczkę pierwszej pomocy.



Zespoły zabezpieczające na osprzęcie



OSTRZEŻENIE: Przed rozpoczęciem użytkowania osprzętu należy przeczytać następujące ostrzeżenia.

Niniejszy rozdział określa zespoły zabezpieczające osprzętu, jego przeznaczenie oraz sposób, w jaki

należy przeprowadzać sprawdzanie i konserwację, aby zapewnić jego poprawne działanie. Patrz wskazówki pod nagłówkiem *Przegląd osprzętu na stronie 151*, aby sprawdzić rozmieszczenie poszczególnych elementów w danym osprzęcie.

Jeżeli osprzęt nie jest prawidłowo konserwowany i poddawany profesjonalnie wykonywanym naprawom i/lub obsłudze technicznej, skraca się jego żywotność i zwiększa ryzyko wypadku. Aby uzyskać dodatkowe informacje, należy skontaktować się z najbliższym punktem serwisowym.



OSTRZEŻENIE: Nie wolno używać osprzętu, którego zespoły zabezpieczające są uszkodzone. Zespoły zabezpieczające osprzętu należy kontrolować i konserwować zgodnie z opisem w niniejszym rozdziale. Jeżeli osprzęt nie spełnia któregokolwiek z warunków kontrolnych, skontaktować się z przedstawicielem serwisu w celu dokonania naprawy.



OSTRZEŻENIE: Wszelkie czynności obsługowe i naprawy produktu wymagają specjalnego przeszkolenia. Szczególnie dotyczy to elementów zabezpieczających produktu. Jeżeli produkt nie spełnia jakiegokolwiek z niżej wymienionych warunków kontrolnych, należy go oddać do warsztatu obsługi technicznej. Kupując nasze produkty, zyskujesz także gwarancję profesjonalnej obsługi i napraw. Jeżeli w miejscu zakupu nie jest prowadzona obsługa serwisowa, można zapytać o adres najbliższego warsztatu obsługi technicznej.

Instrukcje bezpieczeństwa dotyczące konserwacji



OSTRZEŻENIE: Przed rozpoczęciem prac konserwacyjnych należy przeczytać następujące ostrzeżenia.



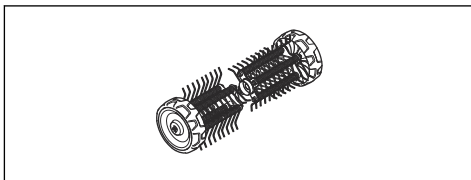
OSTRZEŻENIE: Przed przystąpieniem do konserwacji osprzętu należy zawsze wyłączyć produkt. Należy zachować ostrożność, ponieważ osprzęt może nadal się poruszać po zwolnieniu manetki gazu/mocy. Upewnić się, że osprzęt całkowicie się zatrzymał. W przypadku urządzeń napędzanych benzyną zdjąć przewód ze świecy zapłonowej. W przypadku urządzeń z napędem akumulatorowym wyjąć akumulator.



OSTRZEŻENIE: Zawsze należy używać zatwierdzonych rękawic ochronnych.

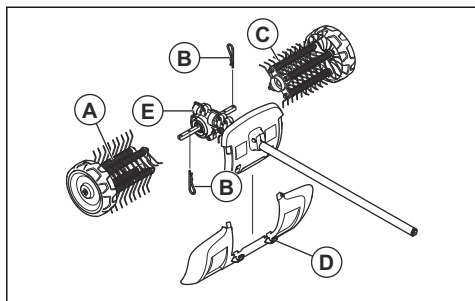
- Przed rozpoczęciem należy sprawdzić stan całego urządzenia. Sprawdzić, czy wszystkie osłony zostały nałożone i są prawidłowo zamocowane. Sprawdzić wszystkie nakrętki i śruby.
- W przypadku produktów napędzanych benzyną sprawdzić, czy nie ma wycieków paliwa.

- Wymienić zniszczone części na nowe.



Montaż

Montaż osprzętu

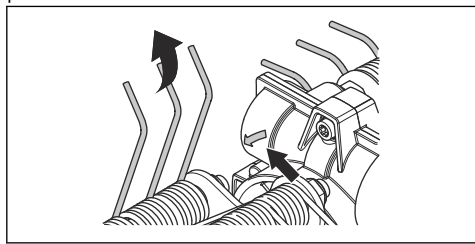


Strzałka na obudowie przekładni wskazuje kierunek obrotów. Obudowę przekładni należy ustawić w sposób przedstawiony na ilustracji.

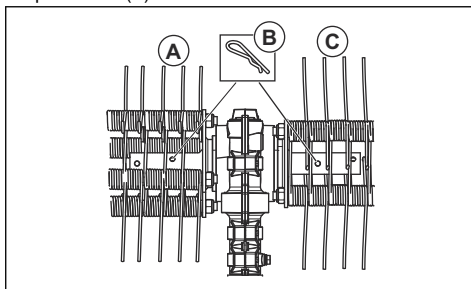
WAŻNE:

Wałki skaryfikatora są oznaczone strzałkami zgodnie z kierunkiem wirowania. Upewnić się, że wałki skaryfikatora są odpowiednio zamontowane.

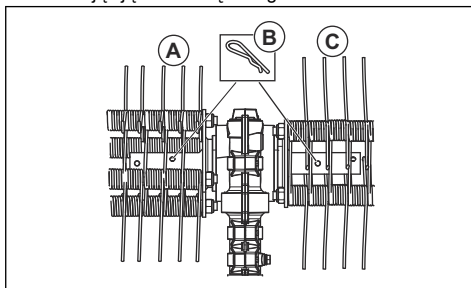
Wałki skaryfikatora muszą być zamocowane z niewielkim przemieszczeniem względem siebie. Sprężyny skaryfikatora powinny być skierowane w tę samą stronę, w którą wskazuje strzałka na obudowie przekładni.



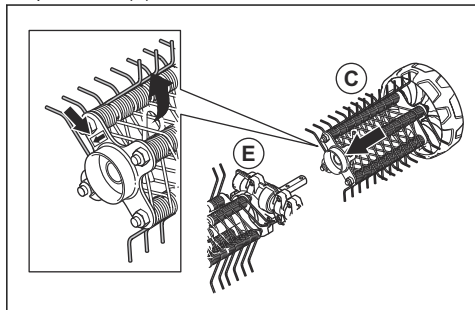
1. Wcisnąć lewy skaryfikator (A) na wałek napędowy, który znajduje się po lewej stronie obudowy przekładni (E).



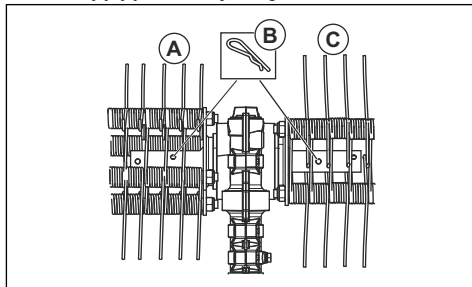
2. Zabezpieczyć skaryfikator za pomocą zawlecжки (B), wsuwając ją do wewnętrznego otworu w wałku.



3. Wcisnąć prawy skaryfikator (A) na wałek napędowy, który znajduje się po prawej stronie obudowy przekładni (E).



4. Zabezpieczyć skaryfikator za pomocą zawlecзки (B), wsuwając ją do wewnętrznego otworu w wałku.



5. Zamontować osłonę przeciwbryzgową za pomocą elementów łącznych na zatrzask (D).

Uwaga: Informacje dotyczące montażu akcesoriów na produkcie bazowym znajdują się w instrukcji obsługi tego produktu.

Przeznaczenie

Informacje dotyczące uruchamiania produktu z ciepłym silnikiem, patrz

W przypadku produktów napędzanych benzyną należy przestrzegać poniższych instrukcji, aby uruchomić produkt przy zimnym silniku.

1. Uruchomić produkt bazowy, aby się rozgrzał, a następnie wyłączyć je.
2. Zamontować osprzęt zgodnie z instrukcją montażu.
3. Podczas regulacji gaźnika należy upewnić się, że skaryfikator opiera się o podłoże oraz że w pobliżu nie przebywają żadne postronne osoby.
4. Upewnić się, że skaryfikator pracuje na biegu jałowym.
5. Dopilnuj, aby uchwyt i zespoły zabezpieczające maszyny były zawsze w porządku. Zabrania się używania produktu, które jest niekompletne lub zostało poddane modyfikacjom.

Użytkowanie osprzętu

1. Uruchomić skaryfikator i ustawić pełne obroty ((lub niemal pełne obroty) z kołami spoczywającymi na podłożu.

Uwaga: Podnoszenie lub utrzymywanie skaryfikatora ponad podłożem podczas pracy jest zarówno męczące, jak i niepotrzebne.

2. Podczas pracy należy utrzymywać kąt ostry w stosunku do powierzchni. Zbyt duży kąt roboczy może powodować przesuwanie się skaryfikatora w stronę operatora oraz ryzyko utraty kontroli nad maszyną.



Przegląd

Wstęp

<:fc 2>Poniziej podano kilka ogólnych zasad konserwacji.<.:fc> Jeśli potrzebujesz dodatkowych informacji, skontaktuj się z warsztatem obsługi technicznej.

Konserwacja osprzętu



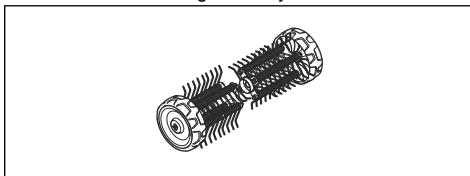
UWAGA: Praca z wykorzystaniem skaryfikatora często odbywa się w warunkach dużego zapylenia. W przypadku produktów napędzanych

benzyną bardzo ważne jest, aby filtr powietrza był regularnie, często codziennie, poddawany przeglądowi i smarowany olejem w celu zapewnienia zadowalającej pracy.

Instrukcje dotyczące konserwacji znajdują się w instrukcji obsługi jednostki napędowej.

dotykać obudowy przekładni, aby się nie oparzyć.

1. Upewnić się, że skaryfikator nie obraca się po zwolnieniu manetki gazu/mocy.



2. Wyczyścić koła, jeśli nie obracają się swobodnie.



OSTRZEŻENIE: Podczas konserwacji osprzętu należy zawsze nosić rękawice ochronne.



OSTRZEŻENIE: Osłona przekładni nagrzewa się podczas pracy urządzenia. Nie

Transport, przechowywanie i utylizacja

Transport i przechowywanie

W przypadku transportowania osprzętu innym pojazdem należy zawsze korzystać z zatwierdzonych urządzeń zabezpieczających i zadbać o to, by osprzęt był prawidłowo zamocowany.

Przed odstawieniem osprzętu na dłuższe przechowanie należy go dokładnie oczyścić i przeprowadzić kompletny serwis.

Dane techniczne

Dane techniczne dot. urządzeń napędzanych benzyną

Skaryfikator	DT600
Szerokość, mm	556
Waga	
Ciężar, kg	6,5
Emisje hałasu ⁹¹	
Zmierzony poziom mocy akustycznej, w dB(A)	105
Poziom głośności, gwarantowana moc akustyczna [L _{WA} dB(A)]	109
Poziomy głośności ⁹²	
Równoważny poziom ciśnienia akustycznego przy uchu operatora zmierzony zgodnie z normą EN ISO 22868, w dB(A):	95

⁹¹ Zmierzone łącznie z użyciem zatwierdzonych akcesoriów Husqvarna. Emisję hałasu do otoczenia zmierzono jako moc akustyczną (L_{WA}), zgodnie z dyrektywą WE 2000/14/WE. Odnotowany poziom ciśnienia akustycznego dla maszyny został zmierzony z oryginalnym osprzętem tnącym, takim który daje najwyższy poziom hałasu. Różnica pomiędzy gwarantowanym a zmierzonym poziomem ciśnienia akustycznego wynika z tego, że poziom gwarantowany uwzględnia także rozproszenie w wynikach pomiaru oraz różnice pomiędzy różnymi urządzeniami o takim samym oznaczeniu modelowym zgodnie z dyrektywą 2000/14/WE.

⁹² Zmierzone łącznie z użyciem zatwierdzonych akcesoriów Husqvarna. Odnotowane dane dotyczące równoważnego ciśnienia akustycznego urządzenia wykazują typowe rozproszenie statystyczne (odchylenie standardowe) w wysokości 1 dB(A).

Skaryfikator	DT600
Wibracje ⁹³	
Równoważne poziomy drgań uchwytów ($a_{hv,eq}$), zmierzone zgodnie z normami: PN-EN ISO 22867, m/s^2	
Uchwyt przedni/tylny	6,2/4,3

Dane techniczne dot. urządzeń akumulatorowych

325iLK + osprzęt skaryfikatora DT600	
Szerokość, mm	556
Waga	
Ciężar, kg	2,3+6,5
Poziom hałasu ⁹⁴	
Zmierzony poziom mocy akustycznej, dB(A)	89
Poziomy głośności ⁹⁵	
Poziom ciśnienia akustycznego przy uchu operatora zmierzony zgodnie z normą EN ISO 22868, w dB(A):	77
Wibracje ⁹⁶	
Poziomy drgań uchwytów mierzone zgodnie z normą EN 62841-1, m/s^2	
Uchwyt przedni/tylny	1,9/2,6
W zestawie zatwierdzone akcesorium (oryginalne), lewa/prawa	1,9/2,6

⁹³ Zmierzone łącznie z użyciem zatwierdzonych akcesoriów Husqvarna. Odnotowane dane dotyczące równoważnego poziomu wibracji wykazują typowe rozproszenie statystyczne (odchylenie standardowe) w wysokości 1 m/s^2 .

⁹⁴ Odnotowane dane dotyczące poziomu mocy akustycznej urządzenia wykazują typowe rozproszenie statystyczne (odchylenie standardowe) w wysokości 3 dB(A) i zostały zmierzone z oryginalnym osprzętem, który daje najwyższy poziom hałasu.

⁹⁵ Odnotowane dane dotyczące poziomu ciśnienia akustycznego urządzenia wykazują typową dyspersję statystyczną (odchylenie standardowe) w wysokości 3 dB(A) i zostały zmierzone z oryginalnym osprzętem, który daje najwyższy poziom.

⁹⁶ Odnotowane dane dla poziomu wibracji mają typowe rozproszenie statystyczne (odchylenie standardowe) w wysokości 2 m/s^2 . Do porównywania poziomu drgań, akumulatorów i produktów spalania służy kalkulator drgań. <https://www.husqvarna.com/uk/services-solutions/vibration-calculator/>

Deklaracja zgodności

Deklaracja zgodności UE

Firma **Husqvarna AB**, SE-561 82 Huskvarna,
Szwecja, tel.: +46-36-146500, deklarujemy z pełną
odpowiedzialnością, że produkt:

Opis	Akcesorium do usuwania mchu
Marka	Husqvarna
Typ/model	DT600
Identyfikacja	Numery seryjne z roku 2022 i nowsze

spełnia wszystkie wymogi określone w odpowiednich
dyrektywach i przepisach UE:

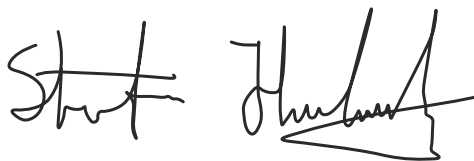
Dyrektywa/przepis	Opis
2006/42/WE	„w sprawie maszyn”
2000/14/WE	„dotycząca emisji hałasu do środowiska”
2011/65/UE	„dotycząca ograniczenia użycia niektórych substancji niebezpiecznych w sprzęcie elektrycznym i elektronicznym”

oraz został zaprojektowany zgodnie z następującymi
normami i parametrami technicznymi: EN ISO
12100:2010, EN IEC 63000:2018

Dobrowolna kontrola homologacyjna na rzecz
Husqvarna AB została przeprowadzona przez RISE
SMP Svenska Maskinprovning AB, Box 7035, SE-750
07 Uppsala, Sweden.

Numer certyfikatu: SEC/15/2411

Huskvarna , 2022-03-14



Stefan Holmberg, Dyrektor ds. badań i rozwoju,
Zarządzanie technologią, Husqvarna AB

Osoba odpowiedzialna za dokumentację techniczną



ÍNDICE

Introdução.....	161	Manutenção.....	167
Segurança.....	162	Transporte, armazenamento e eliminação.....	168
Montagem.....	166	Especificações técnicas.....	168
Funcionamento.....	167	Declaração de conformidade.....	170

Introdução

Descrição do produto

Seguimos uma política de desenvolvimento contínuo dos nossos produtos e, por conseguinte, reservamo-nos o direito de modificar o design e o aspeto dos mesmos, sem aviso prévio.

Nota: Este manual abrange ambas as unidades de potência, operadas a gasolina e a bateria.

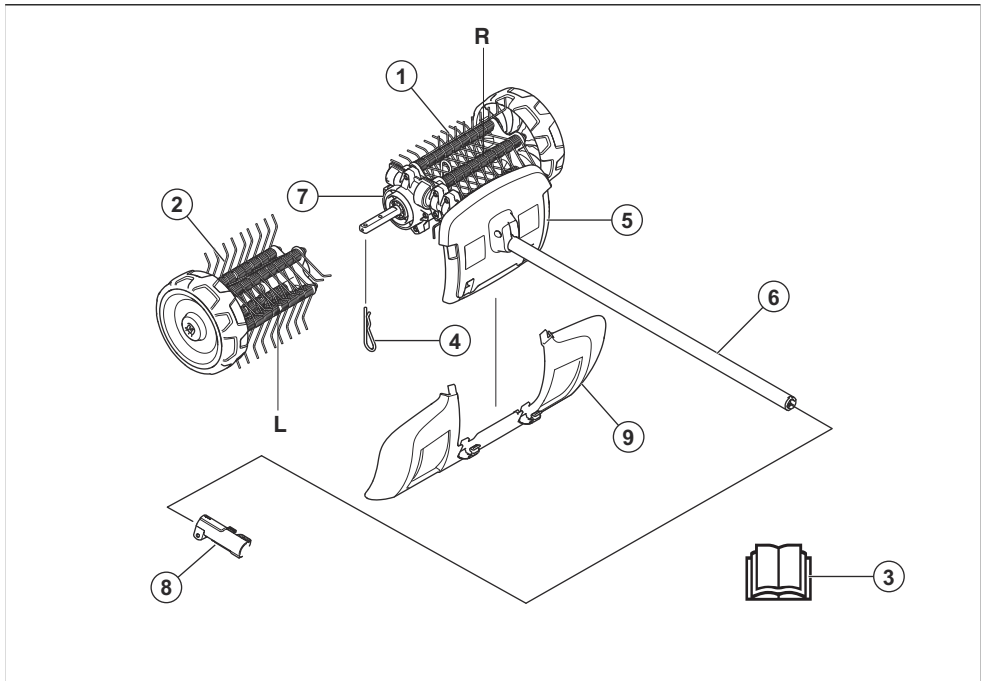
Finalidade



ATENÇÃO: Este acessório apenas pode ser utilizado juntamente com o produto pretendido; consulte o capítulo do acessório no manual do utilizador do produto.

O acessório foi concebido apenas para escarificar o musgo dos relvados.

Vista geral do acessório



1. Lado direito do escarificador de musgo
2. Lado esquerdo do escarificador de musgo
3. Manual do utilizador
4. Pino ranhurado
5. Proteção (proteção no eixo)
6. Eixo
7. Caixa de engrenagem
8. Acoplamento do eixo (incluído com o produto)
9. Proteção contra salpicos

Símbolos no acessório e na unidade de potência



A utilização indevida ou incorreta deste acessório pode provocar ferimentos graves ou fatais no utilizador ou noutras pessoas.



Leia o manual do utilizador com atenção e certifique-se de que compreende as instruções antes de utilizar o acessório.



Utilize protetores acústicos aprovados. Utilize proteção ocular aprovada. Use uma máscara respiratória quando houver risco de poeira.



Este acessório está em conformidade com as diretivas aplicáveis da CE.



Este produto está em conformidade com os regulamentos aplicáveis do Reino Unido.



Peças rotativas. Mantenha as mãos e os pés afastados. A seta indica o sentido de rotação.



Use sempre luvas de proteção aprovadas.



Use botas resistentes e antiderrapantes.



Tenha cuidado com objetos projetados e ricochetes.



O operador tem de garantir que não há pessoas nem animais a menos de 15 m de distância. No caso de estarem vários operadores a trabalhar no mesmo local, tem de ser implementada uma distância de segurança de, pelo menos, 15 m. O acessório pode arremessar violentamente objetos que podem fazer ricochete. Isso pode levar a graves lesões nos olhos no caso do equipamento de segurança recomendado não ser usado.



Mantenha pessoas e animais a uma distância mínima de 15 m/50 pés durante o funcionamento do produto.



Mantenha todas as partes do seu corpo afastadas das superfícies quentes.



Emissão de ruído para a etiqueta ambiental de acordo com as diretivas e regulamentos da União Europeia e do Reino Unido e o regulamento "Protection of the Environment Operations (Noise Control) Regulation 2017" (regulamento de proteção de operações no meio ambiente [controlo do ruído] de 2017) da Nova Gales do Sul. O nível de potência sonora garantido do produto está especificado nas *Especificações técnicas na página 168* e na etiqueta.

Nota: Os restantes símbolos/autocolantes existentes no acessório dizem respeito a exigências específicas para homologação em alguns países.

Segurança

Definições de segurança

Os avisos, as precauções e as notas são utilizados para indicar partes especialmente importantes do manual do utilizador.



ATENÇÃO: Utilizado no caso de existir risco de ferimento ou morte para o utilizador ou transeuntes, se não forem respeitadas as instruções do manual.



CUIDADO: Utilizado se existir risco de danos para o produto e/ou acessório, para outros materiais ou para a área adjacente, se não forem respeitadas as instruções do manual.

Nota: Utilizado para disponibilizar informações adicionais necessárias numa determinada situação.

Instruções de segurança gerais



ATENÇÃO: Leia as instruções de segurança que se seguem antes de utilizar o acessório.

- Leia atentamente as instruções do manual do utilizador e certifique-se de que compreende o seu conteúdo antes de utilizar o acessório.
- Estas instruções complementam as instruções que foram incluídas com o produto. Para outros procedimentos, consulte as instruções de funcionamento do produto.
- Não é permitido modificar, em circunstância alguma, a configuração original do acessório sem a autorização expressa do fabricante. Não utilize um acessório que pareça ter sido modificado por outros e utilize sempre acessórios originais. A realização de modificações e/ou a utilização de acessórios não autorizados podem provocar ferimentos pessoais graves ou perigo de vida para o utilizador ou terceiros.

Leia todas as instruções



ATENÇÃO: Quando utilizar ferramentas elétricas de jardinagem, deve respeitar sempre as seguintes precauções de segurança básicas de forma a minimizar o risco de choque elétrico, incêndio e ferimentos graves:

Instruções de segurança do esçarificador

- Nunca permita que crianças, pessoas com capacidades físicas, sensoriais ou mentais reduzidas ou falta de experiência e conhecimentos, ou que não estejam familiarizadas com estas instruções, utilizem o produto. As normas locais podem restringir a idade do utilizador.
- Nunca opere o produto enquanto houver pessoas, especialmente crianças, ou animais por perto.
- Não se debruce e mantenha sempre o equilíbrio. Nunca corra com a máquina, de modo a verificar sempre bem onde coloca os pés em terrenos inclinados.
- Não toque em peças perigosas em movimento antes de desligar a máquina da rede elétrica e de as peças perigosas em movimento pararem completamente.
- Utilize sempre calçado resistente e calças compridas quando utilizar a máquina.
- Retire a bateria do produto sempre que deixar o mesmo sem supervisão, antes de remover uma obstrução e antes de limpar ou realizar qualquer trabalho no produto.
- Retire a bateria do produto antes de verificar a existência de quaisquer danos no mesmo, por

exemplo, quando o produto for atingido por qualquer objeto ou se começar a vibrar de forma anormal.

- Não ligue um cabo danificado à fonte de alimentação e não toque num cabo danificado antes de o desligar da fonte de alimentação. Um cabo danificado pode provocar o contacto com peças sob tensão e resultar em ferimentos ou morte.
- Nunca utilize o produto com proteções com defeito, sem dispositivos de segurança ou se o cabo estiver danificado ou gasto.
- Mantenha os cabos de extensão afastados de peças perigosas em movimento para evitar danos nos cabos que possam provocar o contacto com peças sob tensão.
- Ligue o produto apenas a um circuito de alimentação protegido por um dispositivo de corrente residual (RCD) com uma corrente de disparo não superior a 30 mA.
- Evite utilizar o produto em más condições climáticas, principalmente quando existir risco de ocorrência de relâmpagos.

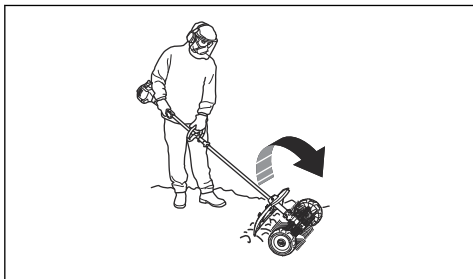
Instruções de segurança para funcionamento



ATENÇÃO: Leia as instruções de aviso que se seguem antes de utilizar o produto.

- o interruptor de paragem retorna automaticamente à posição de arranque. Certifique-se de que evita o arranque acidental aquando da montagem, verificação e/ou realização da manutenção. Se possuir um produto alimentado a gasolina, desligue a cobertura da vela de ignição. Se possuir um produto alimentado a bateria, retire a bateria.
- atenção a objetos arremessados. Use sempre proteção ocular. Nunca se incline sobre o separador de musgo. Pedras, lixo, etc., podem ser arremessados contra os olhos e causar cegueira ou ferimentos graves nos olhos.
- A engrenagem pode ficar quente durante a utilização e manter-se assim durante algum tempo. Risco de queimaduras em caso de contacto directo. Cuidado com material arremessado.
- Apesar de os tambores da escova não terem a mesma força que as lâminas do cortador de relva deve evitar, por exemplo, trabalhar com materiais que possam provocar ferimentos pessoais ou danos de propriedade caso estes sejam arremessados.
- Nunca utilize uma máquina num local em que não seja possível pedir ajuda em caso de acidente.
- Use a máquina somente para as funções a que a mesma se destina.
- Nunca use a máquina se estiver cansado, se bebeu álcool ou se toma remédios que podem influir na sua visão, discernimento ou controlo sobre o corpo.

- Nunca utilize a máquina em condições climáticas extremas, tais como frio muito intenso ou tempo muito quente e/ou húmido.
- Nunca utilize uma máquina defeituosa. Efectue as verificações de segurança e cumpra as instruções de manutenção e assistência técnica contidas neste manual. Alguns serviços de manutenção e de assistência técnica têm de ser executados por especialistas formados e qualificados. Consulte as instruções na secção Manutenção.
- Nunca permita que crianças utilizem a máquina.
- Nunca permita que outra pessoa utilize a máquina sem estar certo de que a mesma leu e entendeu o conteúdo do manual de instruções.
- Mantenha estranhos ao trabalho afastados. As crianças, animais, observadores e ajudantes devem ficar fora do perímetro de segurança de 15 m enquanto trabalha. Pare imediatamente a máquina se alguém se aproximar.
- Se tiver alguma dúvida relativa ao procedimento a seguir, entre em contacto com um técnico especialista. Dirija-se ao seu revendedor ou à sua oficina autorizada.
- Não utilize funções da máquina para as quais não está preparado.
- Observe o espaço à sua volta e certifique-se de que não há risco de pessoas ou animais entrarem em contacto com o produto ou afetarem o seu controlo sobre este.
- quando estiver a utilizar protetores acústicos, esteja atento a sinais de aviso ou críticos. Retire sempre os protetores acústicos assim que o motor parar.
- Não utilize a máquina em condições climáticas adversas, tais como nevoeiro denso, chuvas fortes, vento forte, frio intenso, etc. Trabalhar sob condições climáticas adversas é cansativo e muitas vezes acarreta riscos adicionais, como piso com gelo.
- Certifique-se de que pode andar e estar de pé com segurança. Tenha cuidado com eventuais obstáculos (raízes, pedras, valas, etc.) em caso de deslocamento inesperado. Tenha muito cuidado ao trabalhar em terreno inclinado.



- Desligue o motor antes de se deslocar.
- Nunca pouse a máquina com o motor em funcionamento sem que a tenha bem vigiada.

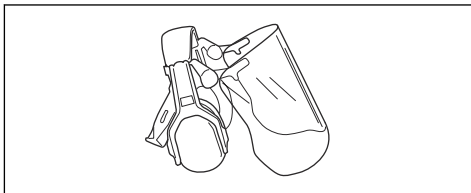
- Use sempre ambas as mãos para segurar a máquina. Mantenha a máquina ao lado do corpo.
- Tenha cuidado para que as mãos e os pés não se aproximem do escarificador de musgo quando este estiver em funcionamento.
- Ao desligar o motor, mantenha as mãos e os pés afastados do escarificador de musgo até que tenha parado totalmente.
- Se ocorrerem fortes vibrações, pare a máquina. Se possuir um produto alimentado a gasolina, desligue o cabo de alta tensão da vela de ignição. Se utilizar um produto alimentado a bateria, retire a bateria do produto. Certifique-se de que a máquina não está danificada. Repare eventuais danos.

Equipamento de proteção pessoal

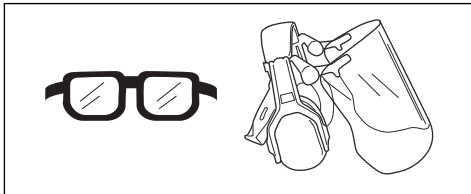


ATENÇÃO: Leia as instruções de aviso que se seguem antes de utilizar o produto.

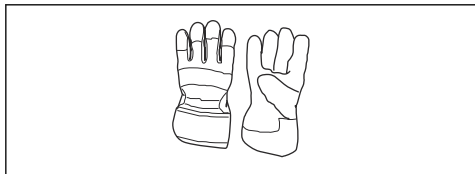
- Utilize sempre equipamento de proteção pessoal aprovado ao utilizar o produto. O equipamento de proteção pessoal não previne totalmente os ferimentos mas diminui a respetiva gravidade em caso de acidente. Obtenha ajuda junto do seu concessionário para selecionar o equipamento certo.
- Utilize protetores acústicos aprovados com suficiente insonorização. A exposição prolongada a ruídos pode provocar danos auditivos permanentes.



- Utilize proteção ocular aprovada. Mesmo com viseira, é necessário utilizar óculos de proteção aprovados. Consideram-se óculos de proteção aprovados os que estejam conformes com a norma ANSI Z87.1 nos EUA ou EN 166 nos países da UE.



- Use luvas sempre que necessário, por exemplo, ao fixar, examinar ou limpar o acessório de corte.



- Use botas de proteção com biqueira de aço e solas antidesslizantes.



- Utilize vestuário fabricado com um tecido resistente. Utilize sempre calças e mangas compridas grossas. Não utilize vestuário largo que possa ficar preso em galhos e ramos. Não utilize joias, calções, nem ande de sandálias ou descalço. Coloque o seu cabelo acima dos ombros para maior segurança.
- Mantenha equipamentos de primeiros socorros sempre à mão.



Dispositivos de segurança no acessório



ATENÇÃO: Leia as instruções de aviso que se seguem antes de utilizar o acessório.

Esta secção contém as funcionalidades de segurança do acessório, a respetiva função e ainda a forma de se efetuar verificações e manutenção para garantir o funcionamento correto do mesmo. Para localizar estes componentes no seu acessório, consulte as instruções na secção *Vista geral do acessório na página 161*.

Se a manutenção do acessório não for devidamente efetuada e se a assistência e/ou as reparações não forem realizadas por profissionais, a vida útil do produto pode ser afetada e o risco de acidentes pode aumentar. Para obter mais informações, contacte o seu revendedor local.



ATENÇÃO: Nunca utilize um acessório com componentes de segurança defeituosos. O equipamento de segurança do acessório tem de ser inspecionado e a respetiva manutenção efetuada conforme descrito nesta secção. Se o acessório

falhar alguma destas verificações, contacte uma oficina autorizada para a respetiva reparação.



ATENÇÃO: Todos os trabalhos de manutenção e reparação do produto requerem formação especializada. Isto aplica-se especialmente ao equipamento de segurança do produto. Se o produto falhar alguma das verificações que se seguem, é necessário contactar a sua oficina autorizada. A compra de qualquer um dos nossos produtos garante-lhe a obtenção de reparação e assistência profissionais. Se o local da compra do produto não for um dos nossos revendedores com assistência técnica, solicite a morada da oficina autorizada mais próxima.

Instruções de segurança para manutenção



ATENÇÃO: Leia as instruções de aviso que se seguem antes de efetuar a manutenção.



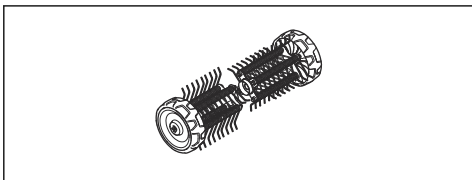
ATENÇÃO: Desligue sempre o produto antes de efetuar qualquer trabalho de manutenção no acessório. Tenha cuidado, o acessório pode continuar a mover-se depois de libertar o interruptor de alimentação/aceleração. Certifique-se de que o acessório parou totalmente. Se possuir um produto alimentado a gasolina, desligue o cabo de alta tensão da vela de ignição. Se possuir um produto alimentado a bateria, retire a bateria.



ATENÇÃO: Utilize sempre luvas de proteção.

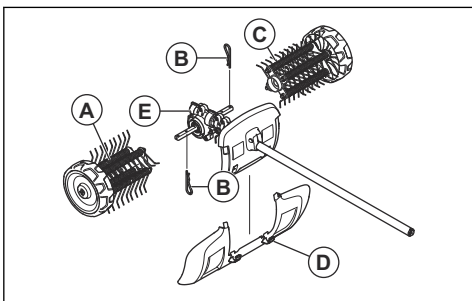
- Verifique o produto por completo antes de o ligar. Verifique se todas as proteções e coberturas estão em boas condições e firmemente apertadas. Verifique todas as porcas e todos os parafusos.
- Se possuir um produto alimentado a gasolina, certifique-se de que não existem fugas de combustível.

- Substitua as peças danificadas.



Montagem

Montar o acessório

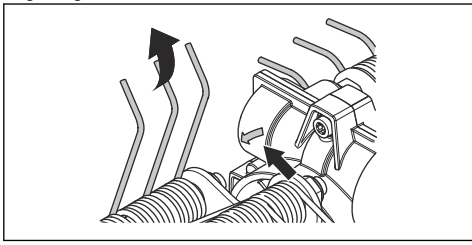


A seta na caixa de engrenagem indica o sentido de rotação. A caixa de engrenagem deve ser colocada conforme ilustrado.

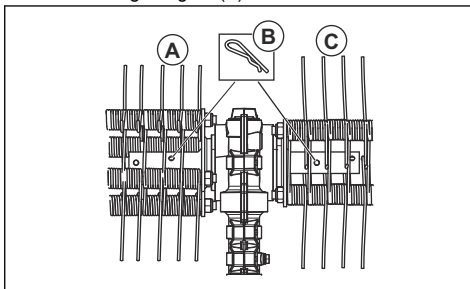
IMPORTANTE:

Os rolos do escarificador de musgo estão marcados com setas que indicam o sentido de rotação. Certifique-se de que os rolos do escarificador de musgo estão corretamente montados.

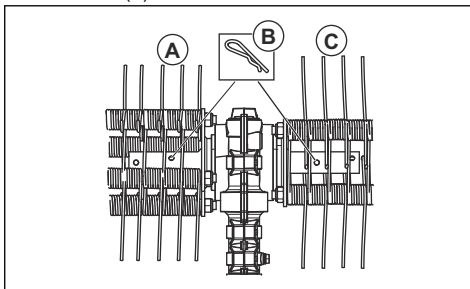
Os rolos do separador de musgo têm de ser montados ligeiramente desalinados entre si. As molas do separador de musgo devem apontar na mesma direcção que a seta de sentido de rotação na caixa de engrenagem.



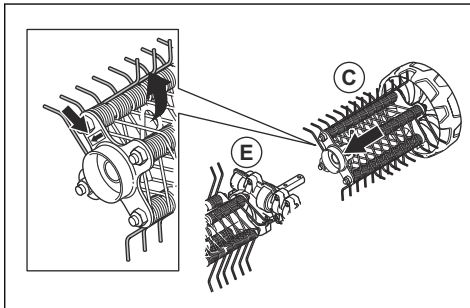
1. Pressione o separador de musgo do lado esquerdo (A) para dentro do eixo motriz do lado esquerdo da caixa de engrenagem (E).



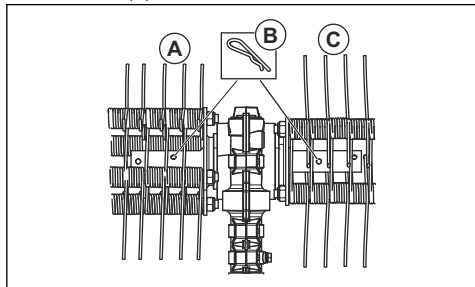
2. Aperte o rolo do escarificador de musgo com o pino ranhurado (B) no orifício do eixo.



3. Pressione o separador de musgo do lado direito (C) para dentro do eixo motriz do lado direito da caixa de engrenagem (E).



4. Aperte o rolo do escarificador de musgo com o pino ranhurado (B) no orifício interior do eixo.



5. Monte o resguardo com os fixadores (D).

Nota: Para montar acessórios num produto básico, consulte o manual do produto básico.

Funcionamento

Para ligar o produto com o motor frio

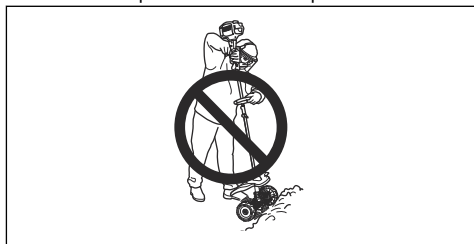
Se possuir um produto alimentado a gasolina, respeite estas instruções para ligar o produto com o motor frio.

1. Execute o aquecimento do produto básico e, em seguida, desligue o produto.
2. Monte o acessório de acordo com as instruções de montagem.
3. Quando ajustar o carburador, certifique-se de que o escarificador é mantido contra o solo e de que não existe ninguém na área circundante.
4. Mantenha o separador de musgo a funcionar em marcha em vazio
5. Certifique-se de que os punhos e as funções de segurança estão em ordem. Nunca utilize um produto em que faltem peças ou que tenha sido modificado de forma a ficar diferente das especificações.

Nota: Torna-se cansativo e desnecessário

levantar e manter o separador de musgo acima da superfície durante a sua utilização.

2. Mantenha um ângulo de trabalho reduzido relativamente à superfície. Com um ângulo de trabalho grande, o escarificador de musgo encaminha-se tendencialmente na sua direção e arrisca-se a perder o controlo do produto.



Utilizar o acessório

1. Accione o separador de musgo em aceleração total (ou quase) com as rodas apoiadas na superfície.

Manutenção

Introdução

Seguem abaixo algumas instruções gerais de manutenção. Se necessitar de maiores informações, consulte uma oficina autorizada.

Efetuar a manutenção do acessório



CUIDADO: A maioria dos trabalhos com o separador de musgo é normalmente realizada em ambientes poeirentos. Se possuir um produto alimentado a gasolina, é extremamente importante inspecionar o filtro de ar regularmente – em muitos

casos, diariamente – e lubrificá-lo para um funcionamento satisfatório.

Consulte o manual do utilizador da unidade de potência para obter instruções relativas à manutenção.



ATENÇÃO: Utilize sempre luvas de proteção quando efetuar a manutenção do acessório.

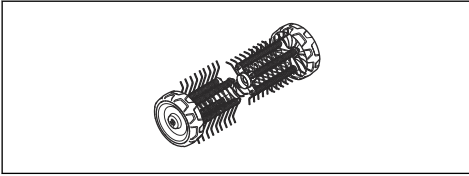


ATENÇÃO: A caixa de engrenagem aquece durante a utilização do produto.

Não tocar na engrenagem para evitar queimaduras.

2. Limpe as rodas, caso estas não rodem livremente.

1. Certifique-se de que o escarificador de musgo não roda quando o interruptor de alimentação/ aceleração é libertado.



Transporte, armazenamento e eliminação

Transporte e armazenagem

Se transportar o acessório noutra veículo, utilize sempre dispositivos de fixação aprovados e certifique-se de que o acessório está bem seguro.

Certifique-se de que o acessório foi limpo e submetido a uma revisão completa antes de ser armazenado por um período de tempo prolongado.

Especificações técnicas

Especificações técnicas para produtos alimentados a gasolina

Escarificador de musgo	DT600
Largura, mm	556
Peso	
Peso, kg	6,5
Emissões de ruído ⁹⁷	
Nível de potência sonora, dB(A) medidos	105
Nível de potência sonora, garantido L_{WA} dB (A)	109
Níveis acústicos ⁹⁸	
Nível de pressão sonora equivalente ao nível do ouvido do utilizador, medido de acordo com a norma EN ISO 22868, dB(A):	95
Vibrações ⁹⁹	
Níveis de vibração equivalentes ($a_{hv,eq}$) nos punhos, medidos de acordo com a EN ISO 22867, m/s^2	

⁹⁷ Medidas em conjunto com os acessórios aprovados da Husqvarna. emissões de ruído para as imediações, medidas sob forma de potência sonora (L_{WA}) em conformidade com a diretiva da CE 2000/14/CE. O nível de potência sonora registado para a máquina foi medido com o equipamento de corte original que debita o nível mais alto. A diferença entre a potência sonora garantida e medida é que a potência sonora garantida inclui também a dispersão no resultado da medição e as variações entre diferentes máquinas do mesmo modelo, de acordo com a diretiva 2000/14/CE.

⁹⁸ Medidas em conjunto com os acessórios aprovados da Husqvarna. Os dados registados para o nível de pressão sonora equivalente para a máquina têm uma dispersão estatística típica (desvio padrão) de 1 dB (A).

⁹⁹ Medidas em conjunto com os acessórios aprovados da Husqvarna. os dados comunicados relativamente ao nível de vibração equivalente têm uma dispersão estatística típica (desvio padrão) de 1 m/s^2 .

Escarificador de musgo	DT600
Punhos dianteiros/traseiros	6,2/4,3

Especificações técnicas para produtos alimentados a bateria

325ILK + acessório de escarificador DT600	
Largura, mm	556
Peso	
Peso, kg	2,3 + 6,5
Emissões de ruído ¹⁰⁰	
Nível de potência sonora, dB(A) medidos	89
Níveis acústicos ¹⁰¹	
Nível de pressão sonora, ao nível do ouvido do utilizador, medido de acordo com a norma EN ISO 22868, dB(A):	77
Vibrações ¹⁰²	
Níveis de vibração nos punhos, medidos de acordo com a norma EN 62841-1, m/s ²	
Punhos dianteiros/traseiros	1,9/2,6
Equipado com acessório aprovado (original), esquerda/direita	1,9/2,6

¹⁰⁰ Os dados comunicados relativamente ao nível de potência sonora para a máquina têm uma dispersão estatística típica (desvio padrão) de 3 dB(A) e foram medidos com o acessório original que debita o nível mais alto.

¹⁰¹ Os dados comunicados relativamente ao nível de pressão sonora para a máquina têm uma dispersão estatística típica (desvio padrão) de 3 dB(A) e foram medidos com o acessório original que debita o nível mais alto.

¹⁰² Os dados comunicados relativamente ao nível de vibração têm uma dispersão estatística típica (desvio padrão) de 2 m/s². Para comparar os níveis de vibrações de produtos a bateria e de combustão, utilize a calculadora de vibrações. <https://www.husqvarna.com/pt/servicos-solucoes/calculadora-vibracoes/>.

Declaração de conformidade

Declaração UE de conformidade

A **Husqvarna AB**, SE-561 82 Huskvarna, Suécia,
tel.: +46-36-146500, declara, sob sua inteira
responsabilidade, que o produto:

Descrição	Escarificador de musgo
Marca	Husqvarna
Tipo / Modelo	DT600
Identificação	Números de série referentes a 2022 e posteriores

está em plena conformidade com as seguintes diretivas
e regulamentos da UE:

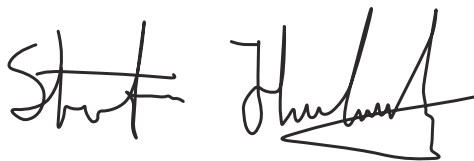
Diretiva / Regula- mento	Descrição
2006/42/CE	"relativa a máquinas"
2000/14/CE	"relativa a emissões de ruído para o ambiente"
2011/65/UE	"relativa à restrição do uso de determinadas substâncias perigosas em equipamento elétrico e eletrônico"

e que as seguintes normas e/ou especificações técnicas
são aplicadas: EN ISO 12100:2010, EN IEC 63000:2018

A RISE SMP Svenska Maskinprovning AB, Box 7035,
SE-750 07 Uppsala, Sweden efetuou o exame de tipo
voluntário em nome da Husqvarna AB.

Número do certificado: SEC/15/2411

Huskvarna , 2022-03-14



Stefan Holmberg, diretor de I&D, gestão de tecnologia,
Husqvarna AB

Responsável pela documentação técnica



CUPRINS

Introducere.....	171	Întreținerea.....	177
Siguranță.....	172	Transportul, depozitarea și eliminarea.....	178
Asamblarea.....	176	Date tehnice.....	178
Funcționarea.....	177	Declarație de conformitate.....	180

Introducere

Descrierea produsului

Avem o politică de îmbunătățire continuă a produselor și, prin urmare, ne rezervăm dreptul de a modifica proiectul și aspectul produselor fără preaviz.

Nota: Acest manual acoperă atât sursele de alimentare care funcționează cu benzină, cât și cele care funcționează cu baterie.

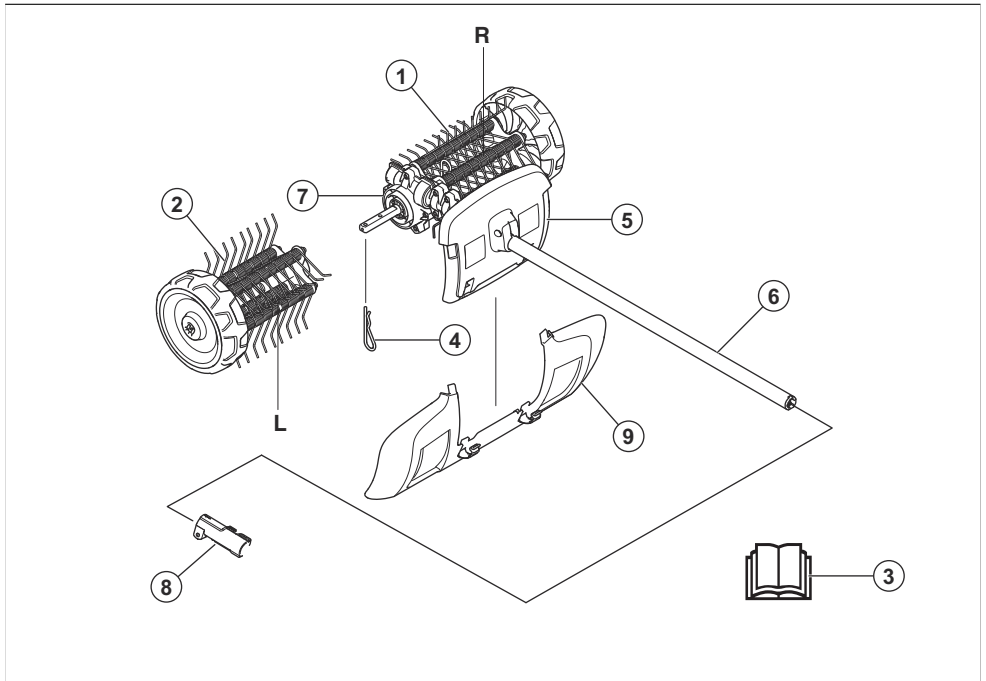
Domeniul de utilizare



AVERTISMENT: Acest accesoriu poate fi utilizat numai împreună cu produsul pentru care a fost conceput, consultați capitolul despre accesorii din Manualul operatorului pentru produs.

Accesorii este conceput numai pentru curățarea gazonului de mușchi.

Prezentare generală a accesoriilor



1. Scarificator mușchi dreapta
2. Scarificator mușchi stânga
3. Manualul operatorului
4. Șplint
5. Apărătoare (Protecție pe arbore)
6. Arbore
7. Carcasă angrenaj
8. Cuplaj arbore (inclus cu produsul)
9. Apărătoare de noroi

Simbolurile de pe accesoriu și de pe sursa de alimentare



Utilizarea neatentă sau incorectă a acestui accesoriu poate cauza vătămări corporale grave sau mortale operatorului sau altor persoane.



Citiți cu atenție manualul operatorului și asigurați-vă că înțelegeți instrucțiunile înainte de a utiliza accesoriul.



Utilizați un sistem omologat de protecție a auzului. Utilizați ochelari de protecție omologați. Utilizați o mască de protecție când există pericolul de generare a prafului.



Acest accesoriu este conform cu directivele UE aplicabile.



Acest produs respectă reglementările aplicabile din Regatul Unit.



Piese rotative. Feriți mâinile și picioarele. Săgeata indică direcția de rotație.



Purtați întotdeauna mănuși de protecție omologate.



Purtați ghete solide, cu talpă antiaderentă.



Feriți-vă de obiectele proiectate sau care ricoșează.



Operatorul trebuie să se asigure că niciun om sau animal nu se apropie la mai puțin de 15 m. Dacă mai mulți operatori lucrează în același loc, trebuie să fie pusă în aplicare o distanță de siguranță de cel puțin 15 m. Accesoriul poate azvârli cu forță obiecte care pot ricoșa înapoi. Dacă nu se utilizează echipamentul de siguranță recomandat, acest lucru poate duce la vătămări oculare grave.



Păstrați o distanță de minimum 15 m/50 ft față de persoane și animale în timpul utilizării produsului.



Feriți-vă toate părțile corpului de suprafețele fierbinți.



Etichetă privind emisiile de zgomot în mediu, conform directivelor și reglementărilor din UE și Regatul Unit și legislației din New South Wales „Regulamentul privind măsurile de protecție a mediului (controlul zgomotului) din 2017”. Nivelul de putere sonoră garantat al produsului este specificat în *Date tehnice la pagina 178* și pe etichetă.

Nota: Alte simboluri/etichete de pe accesoriu se referă la cerințe de certificare specifice pentru anumite piese.

Siguranță

Definiții privind siguranța

Avertizările, atenționările și notele sunt utilizate pentru a desemna părți foarte importante din manualul operatorului.



AVERTISMENT: Se utilizează dacă există risc de vătămare sau de deces pentru operator sau pentru trecători, în cazul în care instrucțiunile din manual nu sunt respectate.



ATENȚIE: Se utilizează dacă există un risc de deteriorare a produsului și/sau a accesoriului, a altor materiale sau a zonelor învecinate, dacă instrucțiunile din manual nu sunt respectate.

Nota: Se utilizează pentru a furniza mai multe informații care sunt necesare într-o situație dată.

Instrucțiuni generale de siguranță



AVERTISMENT: Înainte de a utiliza accesoriul, citiți instrucțiunile de siguranță de mai jos.

- Vă rugăm să citiți cu atenție manualul operatorului și să vă asigurați că înțelegeți instrucțiunile înainte de a utiliza accesoriul.
- Aceste instrucțiuni completează instrucțiunile furnizate împreună cu produsul. Pentru alte proceduri, consultați instrucțiunile de utilizare ale produsului.
- Nu modificați sub nicio formă proiectul accesoriului fără permisiunea producătorului. Nu folosiți un accesoriu care pare să fi fost modificat de alte persoane și utilizați întotdeauna accesoriile originale. Modificările și/sau accesoriile neautorizate pot avea drept rezultat vătămări corporale grave sau decesul operatorului sau al altor persoane.

Citiți toate instrucțiunile



AVERTISMENT: Când utilizați motouneltele pentru grădină, trebuie să respectați întotdeauna măsurile de protecție elementare pentru a reduce riscul de producere a incendiilor, de electrocutare și vătămări corporale, inclusiv următoarele:

Instrucțiuni de siguranță pentru scarificator

- Nu permiteți niciodată copiilor, persoanelor cu capacități fizice, senzoriale sau mentale reduse sau lipsă de experiență și cunoștințe sau persoane care nu sunt familiarizate cu aceste instrucțiuni să utilizeze produsul. Este posibil ca reglementările locale să limiteze vârsta operatorului.
- Nu utilizați niciodată produsul când în apropiere se află persoane, în special copii, sau animale de companie.
- Nu vă întindeți prea mult și mențineți permanent echilibrul. Pentru a vă asigura întotdeauna de sprijinul pentru picioare în pante, mergeți, nu alergați niciodată.
- Nu atingeți piesele periculoase în mișcare înainte ca utilajul să fie deconectat de la sursa de alimentare, iar piesele periculoase în mișcare să se oprească complet.
- Purtați întotdeauna încălțăminte solidă și pantaloni lungi în timpul operării utilajului.
- Scoateți bateria din produs de fiecare dată când produsul este nesupravegheat, înainte de a îndepărta un blocaj și înainte de a curăța produsul sau lucra la acesta.
- Scoateți bateria din produs înainte de efectuarea unei examinări pentru defecte pe produs, când,

de exemplu, este lovit un obiect străin sau dacă produsul începe să vibreze anormal.

- Nu conectați un cablu deteriorat la sursă și nu atingeți un cablu deteriorat înainte de a-l deconecta de la sursa de alimentare. Un cablu deteriorat poate duce la contactul cu piesele sub tensiune și poate provoca vătămări sau duce la deces.
- Nu utilizați niciodată produsul cu apărători/scuturi defecte, fără dispozitive de siguranță sau dacă cablul este deteriorat sau uzat.
- Țineți prelungitoarele la distanță de piesele periculoase în mișcare pentru a evita deteriorarea cablurilor, ceea ce poate duce la contactul cu piesele sub tensiune.
- Conectați produsul numai la un circuit de alimentare protejat de un dispozitiv de curent rezidual (RCD) cu un curent de declanșare de maxim 30 mA.
- Nu utilizați produsul în condiții de vreme nefavorabilă, mai ales când există risc de descărcări electrice.

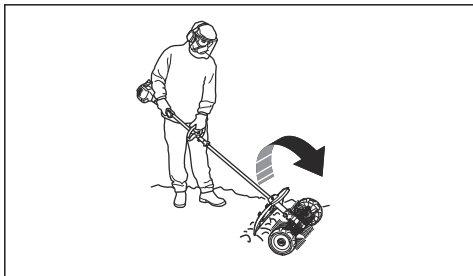
Instrucțiuni de siguranță pentru utilizare



AVERTISMENT: Înainte de a utiliza produsul, citiți instrucțiunile de avertizare de mai jos.

- Comutatorul de oprire revine automat la poziția de start. Asigurați-vă că preveniți pomirea neintenționată la asamblare, verificare și/sau efectuare a întreținerii. Dacă aveți un produs care funcționează cu benzină, scoateți pipa bujiei din bujie. Dacă aveți un produs care funcționează cu baterie, scoateți bateria.
- Fiți atenți la obiectele azvârlite. Purtați întotdeauna ochelari de protecție. Nu vă aplecați niciodată peste dispozitivul de curățare a mușchiului. Pietrele, gunoii etc. pot fi azvârlite în ochi, cauzând orbire sau vătămare gravă.
- Angrenajul se poate înfierbânta în timpul utilizării și poate rămâne fierbinte câteva timp după aceea. Dacă îl atingeți, vă poate provoca arsuri.
- Deși tamburii periei nu au aceeași forță ca și lamele mașinii de tuns iarba, de exemplu, trebuie să evitați să lucrați cu materiale care pot cauza răni grave sau pagube materiale, dacă sunt proiectate.
- Nu utilizați aparatul decât în situații în care puteți solicita ajutor în eventualitatea unui accident.
- Utilizați utilajul numai în scopul pentru care acesta a fost conceput.
- Nu utilizați niciodată utilajul dacă sunteți obosit, dacă ați consumat alcool sau dacă luați medicamente care v-ar putea afecta vederea, judecata sau coordonarea.
- Nu utilizați niciodată aparatul în condiții meteorologice extreme, precum climate cu temperaturi extrem de scăzute, foarte ridicate și/sau climate umede.

- Nu utilizați niciodată un aparat care este defect. Efectuați verificările de siguranță, operațiile de întreținere și de service descrise în acest manual. Anumite operații de întreținere și de service trebuie efectuate de specialiști instruiți și calificați. Consultați instrucțiunile din subcapitolul **Întreținerea**.
- Nu permiteți niciodată copiilor să folosească acest utilaj.
- Nu permiteți nimănui să folosească mașina înaintea de a vă asigura că a înțeles conținutul manualului operatorului.
- Nu permiteți persoanelor neautorizate să se apropie. Copiii, animalele, spectatorii sau persoanele care vă ajută trebuie ținute în afara zonei de siguranță de 15 m în timp ce lucrați. Opriți aparatul imediat dacă se apropie cineva.
- Dacă întâlniți o situație în care nu știți sigur cum să procedați, trebuie să întrebați un specialist. Contactați distribuitorul sau atelierul de service.
- Evitați utilizările care, în opinia dvs., vă depășesc abilitățile.
- Respectați mediul înconjurător și asigurați-vă că nu există riscul ca alte persoane sau animale să vină în contact cu produsul sau să vă afecteze capacitatea de a-l controla.
- Ascultați semnalele de avertisment sau strigătele când purtați echipament pentru protecția auzului. Îndepărtați echipamentul pentru protecția auzului imediat ce se oprește motorul.
- Nu utilizați utilajul pe vreme nefavorabilă, precum ceață deasă, ploaie torențială, vânt puternic, frig intens etc. Lucrul pe vreme nefavorabilă este obositor și generează adesea riscuri adăugate, precum teren alunecos, direcție de deborâre imprevizibilă etc.
- Asigurați-vă că vă puteți deplasa și sta în picioare în siguranță. Verificați zona din jurul dvs. pentru posibile obstacole (rădăcini, pietre, crengi, șanțuri etc.) în caz că trebuie să vă deplasați brusc. Aveți mare grijă când lucrați pe teren în pantă.



- Motorul trebuie oprit înainte de deplasare.
- Nu lăsați niciodată utilajul jos cu motorul pornit decât dacă aveți o bună vizibilitate asupra acestuia.
- Utilizați întotdeauna ambele mâini pentru a ține utilajul. Țineți utilajul pe lângă corp.

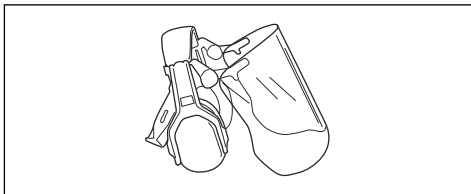
- Asigurați-vă că mâinile și picioarele nu se apropie de scarificatorul de mușchi atunci când motorul este pornit.
- Atunci când motorul este oprit, țineți mâinile și picioarele la distanță de scarificatorul de mușchi, până când acesta se oprește complet.
- Dacă apar vibrații puternice, opriți utilajul. Dacă aveți un produs care funcționează cu benzină, deconectați cablul de înaltă tensiune de la bujie. Dacă aveți un produs care funcționează cu baterie, scoateți bateria din produs. Asigurați-vă că utilajul nu este deteriorat. Remediați orice defecțiuni.

Echipament de protecție personală

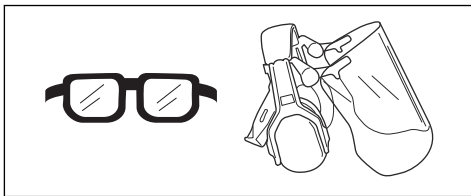


AVERTISMENT: Înainte de a utiliza produsul, citiți instrucțiunile de avertizare de mai jos.

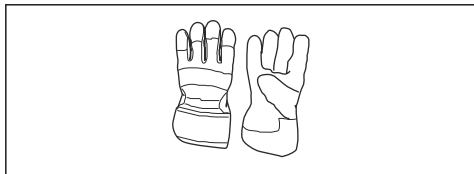
- Utilizați întotdeauna echipamente de protecție personală atunci când folosiți produsul. Echipamentele de protecție personală nu pot elimina complet riscul de rănire, însă pot reduce gravitatea rănilor în cazul unui accident. Distribuitorul vă poate ajuta să alegeți echipamentul corect.
- Purtați echipament de protecție pentru urechi aprobat pentru utilizare, care asigură reducerea adecvată a zgomotului. Expunerea pe termen lung la zgomot poate avea ca rezultat o afecțiune ireversibilă a auzului.



- Utilizați ochelari de protecție omologată. Dacă utilizați un vizor de protecție, trebuie să purtați și ochelari de protecție. Ochelarii de protecție trebuie să fie compatibili cu standardul ANSI Z87.1 în S.U.A. sau EN 166 în țările UE.



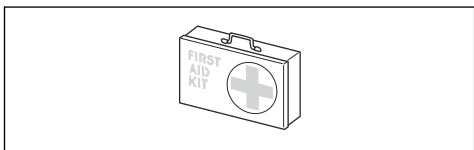
- Purtați mănuși atunci când este necesar, de exemplu atunci când conectați, inspectați sau curățați echipamentul de tăiere.



- Utilizați cizme de protecție cu bombeuri din oțel și tălpi antiderapante.



- Purtați haine din țesături rezistente. Purtați întotdeauna pantaloni lungi, din material gros, și îmbrăcăminte cu mâneci lungi. Nu purtați haine largi, care se pot prinde în smicele și ramuri. Nu purtați bijuterii, șort, sandale și nu lucrați în picioarele goale. Strângeți-vă părul în siguranță, deasupra nivelului umărului.
- Păstrați la îndemână echipament de prim ajutor.



Dispozitivele de siguranță de pe accesoriu



AVERTISMENT: Înainte de a utiliza accesoriul, citiți instrucțiunile de avertizare de mai jos.

În această secțiune sunt cuprinse caracteristicile de siguranță ale accesoriului, scopul său și modul în care trebuie efectuate verificările și întreținerea pentru a asigura funcționarea corectă. A se vedea instrucțiunile din capitolul *Prezentare generală a accesoriilor la pagina 171* pentru a găsi unde sunt amplasate aceste piese pe accesoriul dvs.

Durata de viață a accesoriului se poate reduce, iar pericolul de accidente se poate mări dacă întreținerea accesoriului nu este efectuată corect, iar reglarea și/sau reparațiile nu sunt executate în mod profesional. Dacă aveți nevoie de informații suplimentare, contactați cel mai apropiat furnizor de service.



AVERTISMENT: Nu utilizați niciodată un accesoriu cu componente de siguranță deteriorate. Echipamentul de siguranță al accesoriului trebuie inspectat

și întreținut conform indicațiilor din acest capitol. Dacă accesoriul nu trece oricare dintre următoarele verificări, contactați agentul de service pentru reparații.



AVERTISMENT: Toate operațiunile de service și de reparații asupra produsului necesită instruire specială. Acest lucru se aplică în special cu privire la echipamentele de siguranță ale produsului. În cazul în care produsul dvs. nu are rezultat pozitiv la oricare dintre verificările descrise mai jos, trebuie să contactați agentul de service local. Atunci când achiziționați oricare dintre produsele noastre, garantăm disponibilitatea reparațiilor și service-ului profesionist. Dacă distribuitorul care comercializează produsul nu este dealer de service, solicitați-i adresa celui mai apropiat agent de service.

Instrucțiuni de siguranță pentru întreținere



AVERTISMENT: Înainte de a efectua lucrări de întreținere, citiți instrucțiunile de avertisment de mai jos.



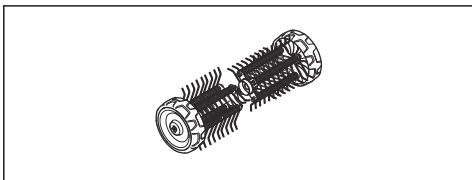
AVERTISMENT: Oprii întotdeauna produsul înainte de a efectua orice operațiune de întreținere ale accesoriului de tăiere. Aveți grijă, accesoriul se poate mișca și după eliberarea accelerației/întreprătorului. Asigurați-vă că accesoriul s-a oprit complet. Dacă aveți un produs care funcționează cu benzină, deconectați cablul de înaltă tensiune de la bujie. Dacă aveți un produs care funcționează cu baterie, scoateți bateria.



AVERTISMENT: Utilizați întotdeauna mănuși de protecție.

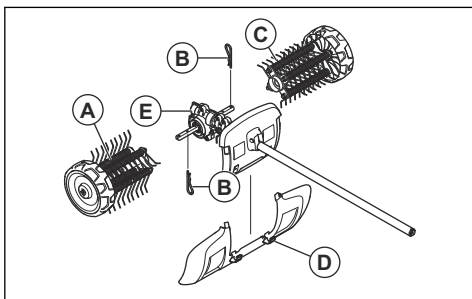
- Verificați întreg produsul înainte de a începe să lucrați. Verificați dacă toate apărătorile și capacele sunt complete și fixate bine. Verificați toate șuruburile și toate piulițele.
- Dacă aveți un produs care funcționează cu benzină, verificați să nu existe scurgeri de carburant.

- Înlocuiți componentele deteriorate.



Asamblarea

Asamblarea accesoriului

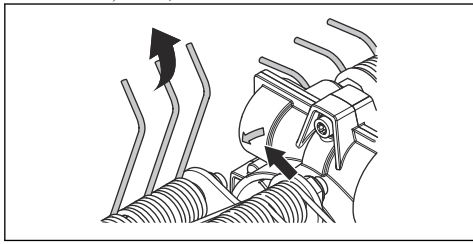


Săgeata de pe carcasa angrenajului indică direcția de rotire. Carcasa angrenajului va fi poziționată conform ilustrației.

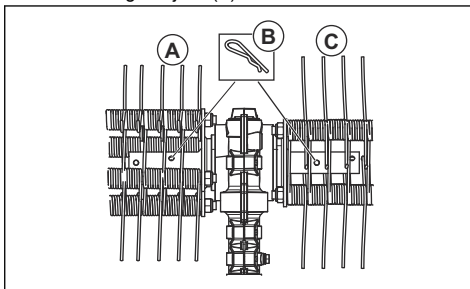
IMPORTANT:

Rolele scarificatorului de curățare a mușchiului sunt marcate cu săgeți care indică direcția de rotație. Asigurați-vă că rolele scarificatorului de curățare mușchiului sunt montate corect.

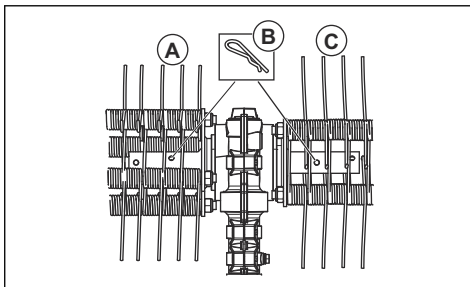
Rolele dispozitivului de curățare a mușchiului trebuie montate ușor decalate una față de cealaltă. Arcurile dispozitivului de curățare a mușchiului și săgeata direcției de rotație de pe carcasa angrenajului trebuie să indice aceeași direcție.



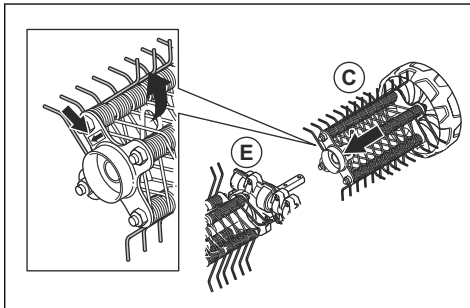
1. Apăsați dispozitivul de curățare a mușchiului din stânga (A) pe arborele conducător din stânga din carcasa angrenajului (E).



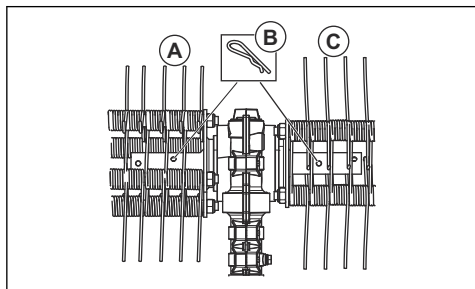
2. Fixați rola scarificatorului de mușchi cu splintul (B) în orificiul interior din arbore.



3. Apăsați dispozitivul de curățare a mușchiului din dreapta (C) pe arborele conducător din dreapta din carcasa angrenajului (E).



4. Fixați rola scarificatorului de mușchi cu șplintul (B) în orificiul interior din arbore.



5. Montați apărătoarea de noroi cu ajutorul capselor (D).

Nota: Pentru asamblarea accesoriilor pe un produs de bază, consultați manualul produsului respectiv.

Funcționarea

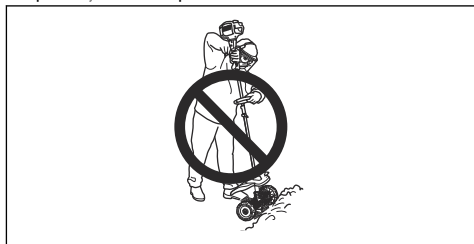
Pentru a porni produsul cu motorul rece

Dacă aveți un produs care funcționează cu benzină, respectați aceste instrucțiuni pentru a porni produsul cu motorul rece.

1. Porniți produsul de bază pentru încălzire și apoi opriți-l.
2. Montați accesoriul conform instrucțiunilor de asamblare.
3. Atunci când reglați carburatorul, asigurați-vă că scarificatorul este fixat pe sol și că nu se află nimeni în apropiere.
4. Mențineți dispozitivul de curățare a mușchiului pornit la ralanti.
5. Asigurați-vă că mânerul și elementele de siguranță sunt în stare bună de funcționare. Nu utilizați niciodată un produs care nu are o piesă sau care a fost modificat în afara specificațiilor sale.

Nota: Este obositor și inutil să ridicați sau să mențineți dispozitivul de curățare a mușchiului deasupra suprafeței, atunci când lucrați.

2. Mențineți un unghi mic de lucru față de suprafață. Un unghi de lucru mare înseamnă că scarificatorul de mușchi tinde să se deplaseze spre dvs. și riscați să pierdeți controlul produsului.



Utilizarea accesoriului

1. Lăsați dispozitivul de curățare a mușchiului să funcționeze la putere maximă (sau aproape maximă) cu roțile sprijinite pe suprafață.

Întreținerea

Introducere

Mai jos veți găsi câteva instrucțiuni generale de întreținere. Dacă aveți nevoie de informații ulterioare, vă rugăm contactați atelierul de service.

Efectuarea operațiilor de întreținere a accesoriului



ATENȚIE: Lucrul cu dispozitivul de curățare a mușchiului are loc adesea în condiții de praf. Dacă aveți un produs care funcționează cu benzină, este foarte important ca filtrul de aer să fie verificat

periodic, adesea zilnic, și uns pentru a funcționa satisfăcător.

Pentru instrucțiuni de întreținere, consultați manualul de utilizare al unității de alimentare.



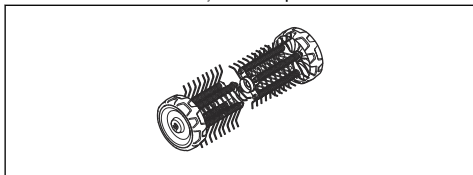
AVERTISMENT: Purtați întotdeauna mănuși de protecție când efectuați întreținerea accesoriului.



AVERTISMENT: Carcasa angrenajului devine fierbinte după utilizarea produsului. Pentru a evita să vă ardeți nu atingeți carcasa angrenajului.

2. Curățați roțile dacă nu se rotesc liber.

1. Asigurați-vă că scarificatorul de mușchi nu se rotește atunci când accelerația/întrerupătorul este eliberat.



Transportul, depozitarea și eliminarea

Transport și depozitare

Dacă transportați accesoriul pe un alt vehicul, utilizați întotdeauna dispozitive de fixare aprobate și asigurați-vă că acesta este fixat bine.

Înainte de depozitarea pe termen lung, asigurați-vă că accesoriul este curat și că i s-a efectuat un service complet.

Date tehnice

Date tehnice pentru produse care funcționează pe benzină

Scarificator mușchi	DT600
Lățime, mm	556
Greutate	
Greutate, kg	6,5
Emisii de zgomot¹⁰³	
Nivel de putere acustică, măsurat în dB(A)	105
Nivel de putere acustică garantat L _{WA} dB (A)	109
Niveluri de zgomot¹⁰⁴	
Nivel de presiune a zgomotului echivalent pentru urechile operatorului, măsurat conform EN ISO 22868, dB(A):	95
Vibrații¹⁰⁵	

¹⁰³ Măsurat împreună cu accesoriile aprobate Husqvarna. Emisiile de zgomot în mediu măsurate ca putere acustică (L_{WA}) în conformitate cu directiva CE 2000/14/CE. Nivelul de putere a sunetului raportat pentru aparat a fost măsurat cu accesoriul original de tăiere care emite cel mai ridicat nivel. Diferența dintre puterea garantată a sunetului și cea măsurată este aceea că puterea garantată a sunetului include, de asemenea, dispersia în rezultatul de măsurare și variațiile dintre diferitele aparate ale aceleiași model conform Directivei 2000/14/CE.

¹⁰⁴ Măsurat împreună cu accesoriile aprobate Husqvarna. Datele raportate pentru nivelul echivalent de presiune a sunetului pentru dispozitiv includ o dispersie statistică tipică (deviere standard) de 1 dB (A).

¹⁰⁵ Măsurat împreună cu accesoriile aprobate Husqvarna. Datele raportate pentru nivelul echivalent de vibrații includ o dispersie statistică tipică (abatere standard) de 1 m/s².

Scarificator mușchi	DT600
Nivelele echivalente de vibrații ($a_{hv,eq}$) la mână, măsurate în conformitate cu EN ISO 22867, m/s^2	
Mână față/spate	6,2/4,3

Date tehnice pentru produse care funcționează pe baterii

325iLK + Accesoriul de scarificator DT600	
Lățime, mm	556
Greutate	
Greutate, kg	2,3+6,5
Emisii de zgomot ¹⁰⁶	
Nivel de putere acustică, măsurat în dB(A)	89
Niveluri de zgomot ¹⁰⁷	
Nivel de presiune a zgomotului pentru urechile operatorului, măsurat conform EN 22868, dB (A):	77
Vibrații ¹⁰⁸	
Nivelurile de vibrații la mână, măsurate în conformitate cu EN 62841-1, m/s^2	
Mână față/spate	1,9/2,6
Dotat cu accesoriu omologat (original), stânga/dreapta	1,9/2,6

¹⁰⁶ Datele raportate pentru nivelul de putere acustică pentru utilaj au o dispersie statistică tipică (deviație standard) de 3 dB (A) și au fost măsurate cu accesoriul original care oferă cel mai înalt nivel.

¹⁰⁷ Datele raportate pentru nivelul de presiune a zgomotului pentru utilaj au o dispersie statistică tipică (deviație standard) de 3 dB (A) și au fost măsurate cu accesoriul original care oferă cel mai înalt nivel.

¹⁰⁸ Datele raportate pentru nivelul de vibrații prezintă o dispersie statistică tipică (abatere standard) de 2 m/s^2 . Pentru compararea nivelurilor de vibrații dintre produsele cu baterie și cele cu benzină folosiți calculatorul de vibrații. <https://www.husqvarna.com/uk/services-solutions/vibration-calculator/>.

Declarație de conformitate

Declarație de conformitate UE

Noi, **Husqvarna AB**, SE-561 82 Huskvarna, Suedia, tel.:
+46-36-146500, declarăm pe propria răspundere, că
produsul:

Descriere	Scarficator mușchi
Marcă	Husqvarna
Tip/Model	DT600
Identificare	Numerele de serie începând cu 2022

respectă în totalitate următoarele directive și
reglementări UE:

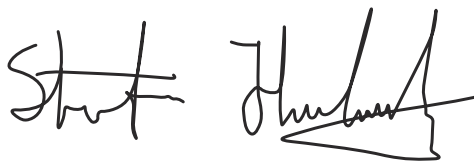
Directivă/Reglemen- tare	Descriere
2006/42/CE	„privind echipamentele tehnice”
2000/14/CE	„privind emisiile de zgomot în mediul înconjurător”
2011/65/UE	„privind restricțiile de utilizare a anumitor substanțe periculoase în echipamentele electrice și electronice”

și că au fost aplicate următoarele standarde și/sau
specificații tehnice: EN ISO 12100:2010, EN IEC
63000:2018

RISE SMP Svenska Maskinprovning AB, Box 7035,
SE-750 07 Uppsala, Sweden a efectuat examinarea
voluntară de tip în numele Husqvarna AB.

Număr certificat: SEC/15/2411

Huskvarna , 2022-03-14



Stefan Holmberg, Director de cercetare și dezvoltare,
Departamentul de gestionare a tehnologiei, Husqvarna
AB

Responsabil pentru documentația tehnică



Содержание

Введение.....	181	Техническое обслуживание.....	188
Безопасность.....	182	Транспортировка, хранение и утилизация.....	188
Сборка.....	186	Технические данные.....	189
Эксплуатация.....	187	Декларация соответствия.....	191

Введение

Описание изделия

Мы постоянно работаем над совершенствованием и развитием своей продукции и поэтому оставляем за собой право на внесение изменений в конструкцию и внешний вид без предварительного предупреждения.

Примечание: Данное руководство распространяется как на бензиновые, так и на аккумуляторные блоки питания.

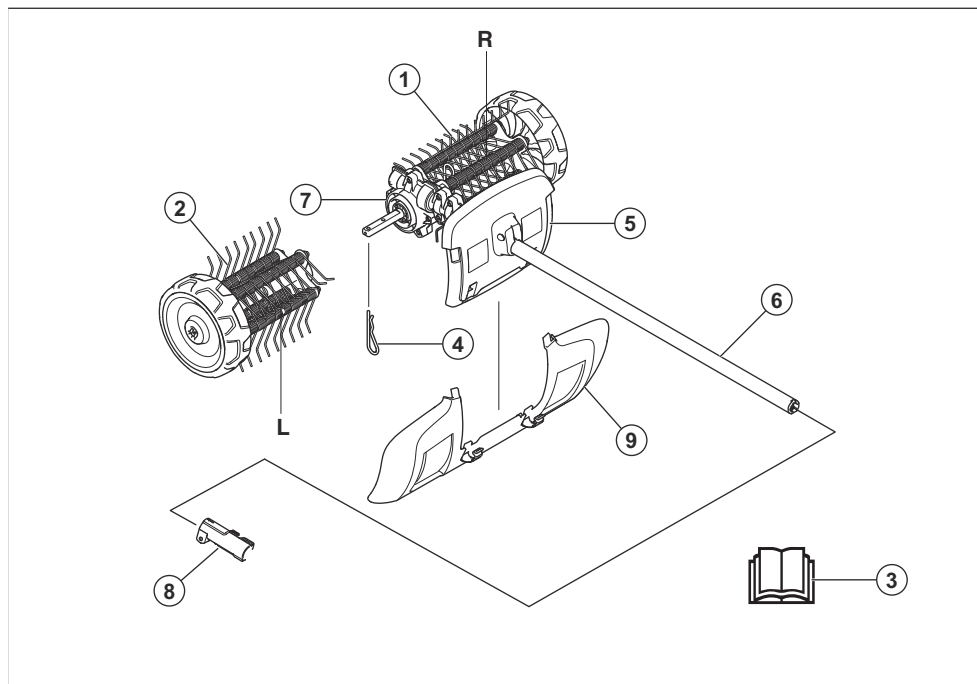
Назначение



ПРЕДУПРЕЖДЕНИЕ: Данное оборудование можно использовать только вместе с соответствующим изделием, см. главу "Принадлежности" в руководстве по эксплуатации изделия.

Оборудование предназначено только для удаления мха с газонов.

Обзор оборудования



- | | |
|--------------------------------|-----------------------------|
| 1. Скарификатор, правый | 5. Щиток (защита на штанге) |
| 2. Скарификатор, левый | 6. Штанга |
| 3. Руководство по эксплуатации | 7. Картер редуктора |
| 4. Шплинт | |

8. Муфта штанги (входит в комплект поставки изделия)

9. Брызговики

Условные обозначения на оборудовании и блоке питания



Небрежная или неправильная эксплуатация данного оборудования может привести к тяжелой или смертельной травме пользователя или других лиц.



Перед началом работы с оборудованием внимательно прочитайте руководство по эксплуатации и убедитесь, что понимаете приведенные инструкции.



Используйте одобренные средства защиты органов слуха. Используйте одобренные средства защиты глаз. При работе в условиях, которые могут привести к появлению пыли, используйте респиратор.



Данное оборудование отвечает требованиям соответствующих директив ЕС.



Данное изделие соответствует действующим директивам Великобритании.



Вращающиеся части. Держите руки и ноги на безопасном расстоянии. Стрелка указывает направление вращения.



Всегда пользуйтесь рекомендованными защитными перчатками.



Надевайте прочные ботинки с нескользящей подошвой.



Берегитесь отлетающих предметов и рикошетов.



Пользователь должен следить за тем, чтобы во время работы в радиусе 15 м от изделия не было людей и животных. Если на одном участке работают несколько человек, необходимо обеспечить между ними безопасное расстояние не менее 15 м. Во время работы оборудование может случайно отбрасывать предметы, которые могут отскочить обратно. Это может привести к серьезным повреждениям глаз, если не использовать рекомендованные средства защиты.



Посторонние лица и животные должны находиться на расстоянии не менее 15 м от работающего изделия.



Держите все части тела на безопасном расстоянии от нагретых поверхностей изделия.



Табличка с уровнем эмиссии шума в окружающей среде в соответствии с директивами и нормативами Европейского союза, Великобритании и законодательством Нового Южного Уэльса "Регламент 2017 года по защите окружающей среды (контроль уровня шума)". Гарантированный уровень мощности звука изделия указан в разделе *Технические данные на стр. 189* и на табличке.

Примечание: Другие символы/наклейки на оборудовании нанесены согласно специальным требованиям к сертификации, которые действуют в определенных странах.

Безопасность

Инструкции по технике безопасности

Предупреждения, предостережения и примечания используются для выделения особо важных пунктов руководства по эксплуатации.



ПРЕДУПРЕЖДЕНИЕ:

Используется, когда несоблюдение инструкций руководства может привести

к травмам или смерти оператора или находящихся рядом посторонних лиц.



ВНИМАНИЕ: Используется, когда несоблюдение инструкций руководства может привести к повреждению изделия и/или принадлежности, других материалов или прилегающей территории.

Примечание: Используется для предоставления дополнительных сведений о конкретной ситуации.

Общие инструкции по технике безопасности



ПРЕДУПРЕЖДЕНИЕ: Прежде чем приступать к эксплуатации оборудования, обязательно прочитайте следующие инструкции по технике безопасности.

- Перед началом работы с оборудованием внимательно прочитайте руководство по эксплуатации и убедитесь, что понимаете приведенные здесь инструкции.
- Эти инструкции дополняют инструкции, поставляемые с самим изделием. В отношении прочих операций см. инструкцию по эксплуатации изделия.
- Ни при каких обстоятельствах не допускается внесение изменений в первоначальную конструкцию оборудования без разрешения производителя. Запрещается использовать оборудование, если существует вероятность, что в его конструкцию внесены изменения другими лицами; всегда используйте оригинальные принадлежности. Внесение неразрешенных изменений и/или использование неразрешенных принадлежностей может привести к тяжелой травме или смерти оператора или других лиц.

Прочитайте все инструкции



ПРЕДУПРЕЖДЕНИЕ: При использовании садовых инструментов с электрическим приводом необходимо всегда следовать основным мерам предосторожности в целях снижения риска возникновения пожара, поражения электрическим током и получения травмы, включая следующие правила:

Общие инструкции по технике безопасности

- Запрещается допускать к эксплуатации изделия детей, лиц с ограниченными физическими, сенсорными или умственными способностями, с недостаточным опытом и знаниями или лиц, не ознакомившихся с данными инструкциями по эксплуатации изделия. Допустимый возраст пользователя может быть ограничен местным законодательством.
- Ни в коем случае не используйте изделие в непосредственной близости от людей (особенно детей) или животных.
- Не вытягивайте руки с изделием слишком далеко и всегда сохраняйте равновесие. При работе на склонах всегда обращайте внимание на то, куда ставите ноги; передвигайтесь пешком, а не бегом.
- Не прикасайтесь к движущимся опасным частям, пока изделие не будет отключено от сети электропитания и движущиеся опасные детали не остановятся полностью.
- При эксплуатации изделия всегда надевайте прочную обувь и длинные брюки.
- Извлекайте аккумулятор из изделия, когда оно оставлено без присмотра, перед удалением засоров, чистой или обслуживанием изделия.
- Извлекайте аккумулятор из изделия перед осмотром на наличие повреждений, например, при ударе о посторонний предмет или в случае нехарактерной вибрации изделия.
- Не подключайте поврежденный шнур к источнику питания и не прикасайтесь к поврежденному шнуру, пока он не будет отключен от источника питания. Поврежденный шнур может привести к контакту с деталями, находящимися под напряжением, и стать причиной травм или смерти.
- Никогда не используйте изделие с неисправными кожухами/щитками, без защитных устройств и с поврежденным или изношенным шнуром.
- Во избежание повреждения шнуров, которые могут привести к контакту с деталями под напряжением, не допускайте контакта удлинительных шнуров с движущимися опасными деталями.
- Подключайте изделие только к цепи питания, защищенной устройством защитного отключения (УЗО) с током отключения не более 30 мА.
- Не используйте изделие в плохих погодных условиях, особенно если существует риск удара молнии.

Инструкции по технике безопасности во время эксплуатации

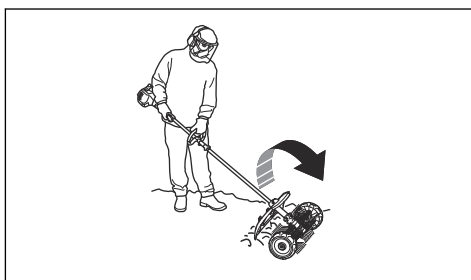


ПРЕДУПРЕЖДЕНИЕ: В обязательном порядке прочитайте следующие инструкции по технике безопасности, прежде чем приступить к эксплуатации изделия.

- Выключатель автоматически возвращается в исходное положение. Примите меры по предотвращению самопроизвольного запуска при сборке, проверке и/или выполнении технического обслуживания. Если изделие работает на бензине, снимите колпачок свечи зажигания со свечи зажигания. Если изделие работает от аккумулятора, извлеките аккумулятор.
- Остерегайтесь отбрасываемых предметов. Всегда носите защитные очки. Никогда не наклоняйтесь над скарификатором. Камни, мусор и пр. могут попасть в глаза и привести к слепоте или к серьезным травмам.
- Редуктор может нагреться во время работы и оставаться горячим некоторое время. Это создает риск получения ожога при контакте.
- Несмотря на то что барабаны со щетками вращаются меньшим усилием, чем, например, ножи газонокосилки, следует избегать материалов, которые при отбрасывании могут стать причиной травмы или повреждения оборудования.
- Запрещено использовать агрегат в ситуации, в которой вы не сможете позвать на помощь при несчастном случае.
- Используйте изделие строго по назначению.
- Работа с агрегатом лиц в состоянии усталости или алкогольного опьянения, а также лиц, принимающих лекарства, воздействующие на зрение, реакцию или координацию, не допускается.
- Запрещается пользоваться устройством при неблагоприятных погодных условиях, таких как сильный холод, жара или влажность.
- Запрещается пользоваться машиной, вызывающей признаки неисправности. Регулярно проверяйте состояние защитных приспособлений и проводите техобслуживание в соответствии с инструкциями настоящего руководства. Любые операции по ремонту и сервису, прямо не описанные в данном руководстве, выполняются только в мастерской квалифицированными специалистами. См. инструкции в разделе "Техническое обслуживание".
- Ни в коем случае не разрешайте детям пользоваться изделием.
- Ни в коем случае не позволяйте использовать инструмент посторонним лицам, не убедившись

сначала в том, что они прочитали и поняли содержание руководства по эксплуатации.

- В зоне работы не должны находиться посторонние. Дети, животные, наблюдатели и помощники должны находиться в безопасной зоне на расстоянии 15 м от места выполнения работ. Если кто-нибудь подойдет ближе, немедленно остановите инструмент.
- В случае возникновения ситуации, в которой вы почувствуете неуверенность относительно дальнейшей работы с изделием, обратитесь за консультацией к специалисту. Свяжитесь со своим дилером или мастерской по обслуживанию.
- Не пытайтесь решить какую-либо задачу, если считаете, что она находится за пределами ваших возможностей.
- Следите за происходящим вокруг, чтобы посторонние люди или животные не могли оказаться в зоне действия режущего оборудования или повлиять на управление изделием.
- При использовании защитных наушников обращайте внимание на предупреждающие сигналы или крики. Снимайте наушники сразу после остановки (электро-)двигателя.
- Запрещается использовать изделие в плохих погодных условиях, таких как густой туман, сильный дождь, резкий ветер, низкие температуры и т. д. Работа в плохую погоду сильно утомляет и вызывает дополнительный риск, например, от скользкого грунта.
- Убедитесь, что Вы можете двигаться и стоять безопасно. Проверьте, нет ли вокруг Вас возможных помех и препятствий (корней, камней, веток, ям и т.д.), если Вам вдруг будет нужно быстро переместиться. Будьте особенно внимательны при работе на склонах.



- При перемещении (электро-)двигатель должен быть выключен.
- Ни в коем случае не опускайте изделие на землю при работающем (электро-)двигателе, за исключением случаев, когда его хорошо видно.
- Всегда держите изделие обеими руками. Держите изделие сбоку.

- Убедитесь, что ваши руки и ноги находятся на безопасном расстоянии от работающего скарификатора.
- При отключении (электро-)двигателя держите руки и ноги на расстоянии от скарификатора до его полной остановки.
- В случае сильной вибрации остановите изделие. Если изделие работает на бензине, отсоедините провод высокого напряжения от свечи зажигания. Если изделие работает от аккумулятора, извлеките аккумулятор из изделия. Проверьте изделие на наличие повреждений. При наличии повреждений выполните необходимый ремонт.

Средства индивидуальной защиты

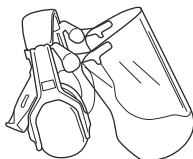


ПРЕДУПРЕЖДЕНИЕ: В обязательном порядке прочитайте следующие инструкции по технике безопасности, прежде чем приступить к эксплуатации изделия.

- Каждый раз при работе с изделием следует использовать одобренные средства индивидуальной защиты. Средства индивидуальной защиты не могут полностью исключить риск получения травмы, но при несчастном случае они снижают тяжесть травмы. За помощью по правильному выбору оборудования обращайтесь к дилеру.
- Следует пользоваться одобренными защитными наушниками с достаточным уровнем подавления шума. Продолжительное воздействие шума может повлечь неизлечимое ухудшение слуха.



- Пользуйтесь проверенными средствами защиты глаз. При использовании защитной маски следует пользоваться также одобренными защитными очками. Под одобренными защитными очками подразумеваются очки, отвечающие требованиям стандарта ANSI Z87.1 для США или EN 166 для стран ЕС.



- При необходимости надевайте перчатки, например, при закреплении, проверке или очистке режущего оборудования.



- Пользуйтесь защитными ботинками со стальным носком и нескользякой подошвой.



- Надевайте одежду из прочного материала. Всегда надевайте длинные прочные брюки и верхнюю одежду с длинными рукавами. Запрещается надевать свободную одежду, которая может зацепиться за ветви или кустарник. Не надевайте ювелирные украшения, шорты, сандалии и не ходите босиком. Зафиксируйте волосы выше уровня плеч.
- Средства оказания первой помощи всегда должны быть под рукой.



Защитные устройства на оборудовании



ПРЕДУПРЕЖДЕНИЕ: Прежде чем приступить к эксплуатации оборудования, обязательно прочитайте следующие инструкции по технике безопасности.

Данный раздел содержит информацию о защитных приспособлениях оборудования, его назначении, а также проверках и техническом обслуживании, которое необходимо выполнять для обеспечения его правильной работы. См. указания в разделе *Обзор оборудования на стр. 181*, где приведено расположение этих деталей на оборудовании.

Срок службы оборудования может быть сокращен, а риск несчастных случаев увеличен, если техническое обслуживание оборудования не выполняется надлежащим образом, а обслуживание

и/или ремонт выполнены непрофессионалом. Дополнительную информацию можно получить у ближайшего дилера по обслуживанию.



ПРЕДУПРЕЖДЕНИЕ: Ни в коем случае не пользуйтесь оборудованием с неисправными защитными приспособлениями. Техобслуживание и проверка защитных приспособлений должны выполняться так, как это описано в данном разделе. Если в результате этих проверок оборудования обнаружены неисправности, немедленно обратитесь к специалисту для выполнения ремонта.



ПРЕДУПРЕЖДЕНИЕ: Для обслуживания и ремонта изделия требуется специальная подготовка. Это особенно относится к защитным приспособлениям изделия. При обнаружении одной или нескольких неисправностей (см. перечень проверок ниже) в обязательном порядке обратитесь в сервисный центр. При приобретении любой нашей продукции вы гарантированно получаете доступ к профессиональной помощи по ремонту и обслуживанию. Если изделие было приобретено у дилера, не имеющего сервисного центра, узнайте у него адрес ближайшего сервисного центра.

Инструкции по технике безопасности во время технического обслуживания



ПРЕДУПРЕЖДЕНИЕ: В обязательном порядке прочитайте

следующие инструкции по технике безопасности, прежде чем приступать к техобслуживанию.

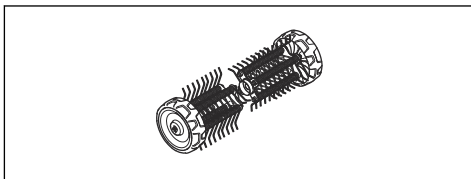


ПРЕДУПРЕЖДЕНИЕ: Всегда останавливайте изделие, прежде чем приступить к техническому обслуживанию оборудования. Соблюдайте осторожность, поскольку оборудование может продолжать вращаться даже после отпущения рычага дросселя/переключателя. Убедитесь, что оборудование полностью остановилось. Если изделие работает на бензине, отсоедините провод высокого напряжения от свечи зажигания. Если изделие работает от аккумулятора, извлеките аккумулятор.



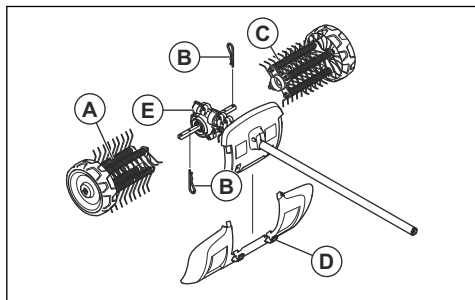
ПРЕДУПРЕЖДЕНИЕ: Всегда используйте защитные перчатки.

- Перед началом работы проверьте целостность изделия. Проверьте целостность и надежность крепления всех щитков и кожухов. Проверьте крепление гаек и винтов.
- Если изделие работает на бензине, убедитесь в отсутствии утечек топлива.
- Замените поврежденные детали.



Сборка

Установка оборудования

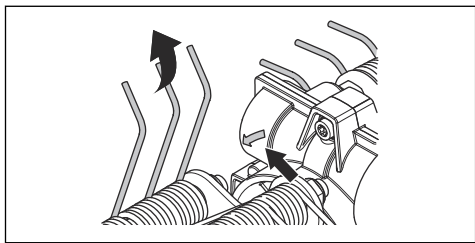


Стрелка на корпусе редуктора указывает направление вращения. При замене корпуса редуктора руководствуйтесь иллюстрацией.

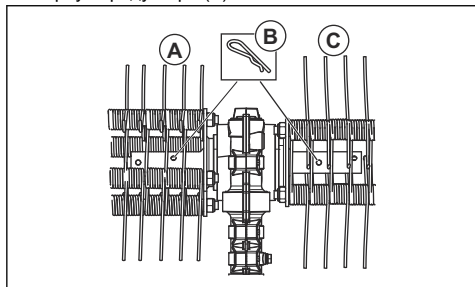
ВАЖНО:

На роликах скарификатора имеются стрелки, указывающие направление вращения. Убедитесь, что ролики скарификатора установлены правильно.

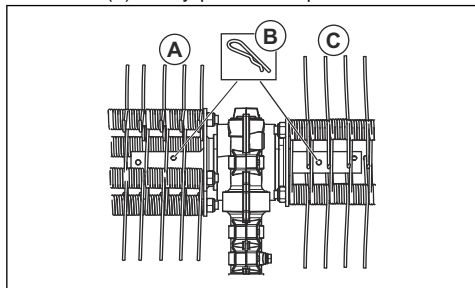
Ролики скарификатора следует устанавливать с небольшим смещением относительно друг друга. Пружины скарификатора должны быть обращены в направлении вращения, указанном стрелкой на корпусе редуктора.



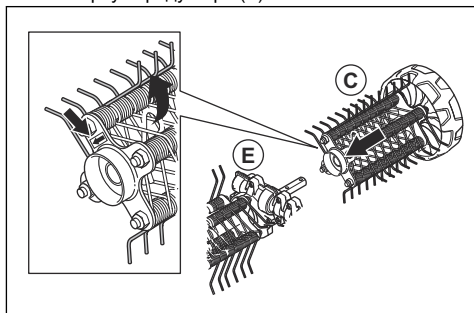
1. Насадите левый скarifикатор (А) на левый вал корпуса редуктора (Е).



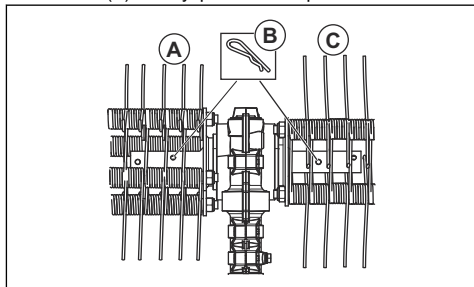
2. Зафиксируйте ролик скarifикатора, вставив шплинт (В) во внутреннее отверстие вала.



3. Насадите правый скarifикатор (С) на правый вал корпуса редуктора (Е).



4. Зафиксируйте ролик скarifикатора, вставив шплинт (В) во внутреннее отверстие вала.



5. Установите брызговики с помощью пружинных фиксаторов (D).

Примечание: Инструкции по установке принадлежностей на основное изделие см. в руководстве по эксплуатации основного изделия.

Эксплуатация

Запуск изделия с холодным двигателем

Если изделие оснащено бензиновым двигателем, следуйте этим инструкциям, чтобы выполнить запуск изделия при холодном двигателе.

1. Прогрейте двигатель основного изделия, затем выключите его.
2. Установите оборудование в соответствии с инструкциями по сборке.
3. При настройке карбюратора убедитесь в том, что скarifикаторы расположены на земле и рядом с изделием никого нет.
4. Запустите скarifикатор на холостых оборотах.

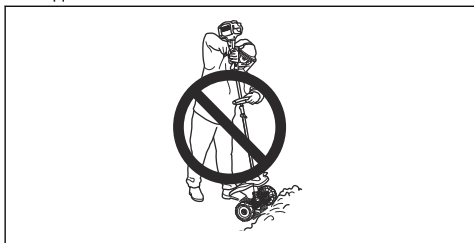
5. Убедитесь в исправности ручки и защитных приспособлений. Ни в коем случае не пользуйтесь изделием, если в нем отсутствуют какие-либо детали или если его конструкция подверглась несанкционированным изменениям.

Эксплуатация оборудования

1. Запустите скarifикатор на максимальных (или почти максимальных) оборотах, поставив колеса на поверхность.

Примечание: Поднимать скarifикатор или удерживать его над землей во время работы очень тяжело, и в этом нет необходимости.

2. Во время работы сохраняйте небольшой угол между устройством и поверхностью. Слишком большой рабочий угол может означать, что скарификатор перемещается по направлению к вам и вы можете потерять контроль над изделием.



Техническое обслуживание

Введение

Ниже приведены некоторые общие инструкции по техническому обслуживанию. Для получения дополнительной информации обратитесь в сервисную мастерскую.

Техобслуживание насадки



ВНИМАНИЕ: Эксплуатация скарификатора часто происходит в условиях высокой запыленности. Для обеспечения надлежащей работы изделия с бензиновым двигателем очень важно регулярно осматривать воздушный фильтр (зачастую ежедневно) и смазывать его.

Инструкции по техническому обслуживанию см. в руководстве по эксплуатации силового блока.



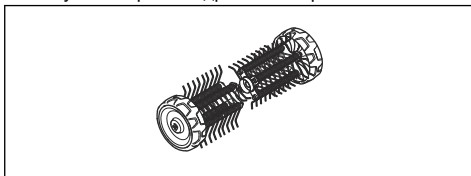
ПРЕДУПРЕЖДЕНИЕ: При выполнении технического обслуживания

оборудования всегда надевайте защитные перчатки.



ПРЕДУПРЕЖДЕНИЕ: Во время работы изделия картер редуктора нагревается. Во избежание ожогов не касайтесь картера редуктора.

1. Убедитесь, что скарификатор не вращается при отпуске рычага дросселя/переключателя.



2. Очистите колеса, если их вращение затруднено.

Транспортировка, хранение и утилизация

Транспортировка и хранение

При транспортировке оборудования на другом транспортном средстве в обязательном порядке используйте одобренные защитные устройства и следите за тем, чтобы оборудование было надежно закреплено.

Следите за тем, чтобы оборудование регулярно очищалось и чтобы перед его продолжительным хранением было выполнено полное обслуживание.

Технические данные

Технические данные изделий, работающих на бензине

Скарификатор	DT600
Ширина, мм	556
Масса	
Масса, кг	6,5
Излучение шума ¹⁰⁹	
Уровень мощности звука, измеренный, дБ(А)	105
Уровень мощности звука, гарантированный L_{WA} , дБ (А)	109
Уровни шума ¹¹⁰	
Эквивалентный уровень давления звука на уровне уха пользователя, измеренный согласно EN ISO 22868, дБ(А):	95
Вибрация ¹¹¹	
Эквивалентный уровень вибрации ($a_{HV,eq}$) на ручках, измеренный согласно EN ISO 22867, m/c^2	
Передняя/задняя ручки	6,2/4,3

Технические данные изделий, работающих от аккумулятора

325iLK + насадка-скарификатор DT600	
Ширина, мм	556
Масса	
Масса, кг	2,3+6,5
Излучение шума ¹¹²	
Уровень мощности звука, измеренный, дБ (А)	89

¹⁰⁹ Измерения проводились с использованием одобренных принадлежностей Husqvarna. Излучение шума в окружающую среду измеряется как шумовой эффект (L_{WA}) согласно Директиве ЕС 2000/14/ЕС. Указанный уровень мощности звука для устройства измерен с оригинальным режущим оборудованием, дающим наивысший уровень. Разница между гарантированной и измеренной мощностью звука заключается в том, что гарантированная мощность звука включает результаты измерений как диапазон и их отклонение для устройств одной и той же модели согласно директиве 2000/14/ЕС.

¹¹⁰ Измерения проводились с использованием одобренных принадлежностей Husqvarna. Указанные данные об эквивалентном уровне давления звука для устройства имеют типичный статистический разброс (стандартное отклонение) 1 дБ(А).

¹¹¹ Измерения проводились с использованием одобренных принадлежностей Husqvarna. Указанные данные о среднем уровне вибраций имеют типичный статистический разброс (стандартное отклонение) 1 m/c^2 .

¹¹² Указанные данные об уровне мощности звука изделия имеют типичный статистический разброс (стандартное отклонение) 3 дБ (А) и были измерены с оригинальным оборудованием, дающим наивысший уровень.

325iLK + насадка-скарификатор DT600	
Уровни шума ¹¹³	
Уровень звукового давления на уровне уха пользователя, измеренный согласно EN ISO 22868, дБ (A):	77
Вибрация ¹¹⁴	
Уровни вибрации на ручках, измерены согласно EN 62841-1, м/с ²	
Передняя/задняя ручки	1,9/2,6
С соответствующим оборудованием (оригинальным), слева/справа	1,9/2,6

¹¹³ Указанные данные об уровне звукового давления изделия имеют типичный статистический разброс (стандартное отклонение) 3 дБ (A) и были измерены с оригинальным оборудованием, дающим наивысший уровень.

¹¹⁴ Указанные данные об уровне вибрации имеют типичный статистический разброс (стандартное отклонение) 2 м/с². Для сравнения уровней вибрации изделий с аккумулятором и ДВС используйте калькулятор вибрации: <https://www.husqvarna.com/uk/services-solutions/vibration-calculator/>.

Декларация соответствия

Декларация соответствия требованиям ЕС

Мы, компания **Husqvarna AB**, SE-561 82
Husqvarna, Швеция, тел.: +46-36-146500, с полной
ответственностью заявляем, что изделие:

Описание	Насадка-скарификатор
Марка	Husqvarna
Тип / Модель	DT600
Идентификация	Серийные номера начиная с 2022 года и далее

полностью соответствует следующим директивам и
нормативам ЕС:

Директива / Норматив	Описание
2006/42/ЕС	"О механическом оборудовании"
2000/14/ЕС	"Об излучении шума в окружающую среду"
2011/65/EU	"Об ограничении использования определенных опасных веществ в электрическом и электронном оборудовании"

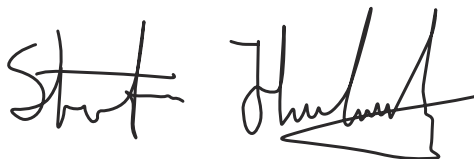
а также требованиям следующих стандартов и/или
технических регламентов: EN ISO 12100:2010, EN
IEC 63000:2018

Организация RISE SMP Svenska Maskinprovning AB,
Box 7035, SE-750 07 Uppsala, Sweden осуществила
добровольную типовую проверку от имени компании
Husqvarna AB.

Номер сертификата: SEC/15/2411

Husqvarna, 2022-03-14

141400, Московская обл., Г. Химки, ул. Ленинградская,
владение 39, строение 6, здание II этаж 4,
помещение OB02_04,
телефон горячей линии 8-800-200-1689



Стефан Холмберг (Stefan Holmberg), директор
отдела разработок, управление технологиями,
Husqvarna AB

Ответственный за техническую документацию



Obsah

Úvod.....	192	Údržba.....	198
Bezpečnosť.....	193	Preprava, skladovanie a likvidácia.....	199
Montáž.....	197	Technické údaje.....	199
Prevádzka.....	198	Vyhlasenie o zhode.....	201

Úvod

Popis výrobku

Neustále ďalej vyvíjame svoje výrobky, a preto si vyhradzuje právo upravovať dizajn a vzhľad výrobkov bez toho, aby sme o tom vopred informovali.

Poznámka: Tento návod popisuje jednotky poháňané benzínom alebo batériou.

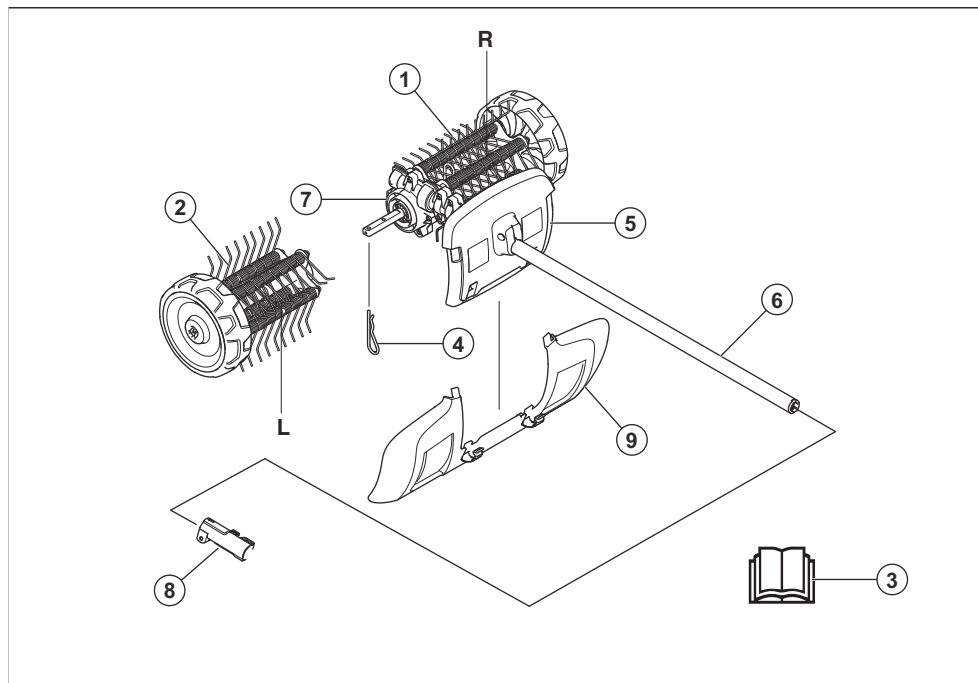
Plánované použitie



VÝSTRAHA: Tento nadstavec je možné použiť len s určeným výrobkom, pozrite si kapitolu o príslušenstve v Návoде na obsluhu výrobku.

Nadstavec je určený výlučne na odmachovanie trávnikov.

Prehľad informácií o rezačom nástroji



1. Pravý odmachovač
2. Ľavý odmachovač
3. Návod na obsluhu
4. Závlačka
5. Kryt (ochrana na hriadeľi)
6. Hriadeľ
7. Sкриňa prevodovky
8. Spojka hriadeľa (dodáva sa spolu s výrobkom)
9. Chránič proti postriekaniu

Symbyly na nastavci a na pohonnej jednotke



Neopatrné alebo nesprávne používanie tohto nastavca môže spôsobiť vážne až smrteľné zranenie obsluhu a iným osobám.



Skôr než začnete nastaviec používať, pozorne si prečítajte návod na obsluhu, aby ste porozumeli pokynom.



Používajte schválené chrániče sluchu. Používajte schválené chrániče očí. V prašnom prostredí používajte dýchaciu masku.



Tento nastaviec je v súlade s príslušnými smernicami EÚ.



Tento výrobok je v súlade s príslušnými právnymi predpismi Spojeného kráľovstva.



Rotujúce časti. Nepribližujte ruky a nohy. Šípka označuje smer otáčania.



Vždy používajte schválené ochranné rukavice.



Noste masívne nekĺzavé topánky.



Dávajte pozor na vymrštené objekty a spätné odrazy.



Používateľ musí zabezpečiť, aby sa žiadni ľudia alebo zvieratá nedostali bližšie ako 15 m od výrobku. Ak v rovnakom priestore pracuje niekoľko používateľov, bezpečná vzdialenosť medzi nimi musí byť minimálne 15 m. Nastavec môže odhodiť predmety, ktoré sa môžu odraziť späť. Ak sa nepoužíva odporúčané bezpečnostné vybavenie, môže to spôsobiť vážne poranenia očí.



Počas používania výrobku zachovajte minimálnu vzdialenosť 15 metrov od ľudí a zvierat.



Všetky časti tela udržiavajte mimo horúcich plôch.



Označenie týkajúce sa emisie hluku do okolia podľa smerníc a nariadení EÚ a UK a legislatívy v štáte New South Wales „Protection of the Environment Operations (Noise Control) Regulation 2017“ (Nariadenie o ochrane životného prostredia pri prevádzke (kontrola hluku) z roku 2017). Garantovaná hladina akustického výkonu produktu je uvedená v *Technické údaje na strane 199* a na štítku.

Poznámka: Ostatné symboly/štítky na rezacom nástroji obsahujú údaje v súlade so zvláštnymi požiadavkami certifikácie pre určité trhy.

Bezpečnosť

Bezpečnostné definície

Výstrahy, upozornenia a poznámky slúžia na zdôraznenie mimoriadne dôležitých častí návodu na obsluhu.



VÝSTRAHA: Používa sa, ak pre obsluhu alebo osoby v okolí existuje nebezpečenstvo poranenia alebo smrti v prípade nedodržania pokynov v návode.



VAROVANIE: Používa sa, ak hrozí nebezpečenstvo poškodenia produktu alebo nastavca, iných materiálov alebo okolitej oblasti v prípade nedodržania pokynov v návode.

Poznámka: Používa sa na poskytnutie informácií nad rámec nevyhnutných informácií v danej situácii.

Všeobecné bezpečnostné pokyny



VÝSTRAHA: Skôr než budete nadstavec používať, prečítajte si nasledujúce bezpečnostné pokyny.

- Pred používaním nadstavca si pozorne prečítajte návod na obsluhu a uistite sa, že rozumiete uvedeným pokynom.
- Tieto pokyny dopĺňajú pokyny dodávané spolu s výrobkom. Pri iných operáciách postupujte podľa návodu na obsluhu výrobku.
- Za žiadnych okolností nemeňte pôvodnú konštrukciu nadstavca bez schválenia od výrobcu. Nepoužívajte nadstavec, ktorý sa zdá byť upravený, a vždy používajte originálne príslušenstvo. Nepovolené zmeny alebo príslušenstvo môžu viesť k vážnemu zraneniu alebo smrti operátora alebo ostatných osôb.

Prečítajte si všetky pokyny



VÝSTRAHA: Pri používaní elektrických záhradných zariadení je nevyhnutné vždy dodržiavať základné bezpečnostné opatrenia na zníženie nebezpečenstva požiaru, úrazu elektrickým prúdom, a vážneho poranenia vrátane nasledujúcich opatrení:

Bezpečnostné pokyny pre odmachovač

- Nikdy nedovoľte, aby zariadenie používali deti, osoby s obmedzenými fyzickými, zmyslovými alebo mentálnymi schopnosťami, alebo s nedostatkom skúseností a vedomostí, alebo osoby, ktoré sa neoboznámili s návodom na používanie. Miestne predpisy môžu obmedzovať vek používateľa.
- Výrobok nikdy nepoužívajte v prípade, ak sa v jeho blízkosti nachádzajú iné osoby (najmä deti a domáce zvieratá).
- Nepresilujte sa a vždy udržiavajte rovnováhu. Aby ste na svahoch vždy dávali pozor na nohy, pri práci so strojom chodte krokom, nebežte.
- Nedotýkajte sa pohyblivých nebezpečných súčastí pred odpojením zariadenie od prívodu elektrickej energie a úplným zastavením pohyblivých nebezpečných súčastí.
- Počas používania zariadenia vždy používajte vhodnú obuv a dlhé nohavice.
- Odstráňte batériu z výrobku zakaždým, keď je výrobok ponechaný bez dozoru, pred odstránením zablokovania a pred začatím čistenia alebo akejkoľvek práce na výrobku.
- Odstráňte batériu z výrobku pred každým vykonaním skúmania poškodení spôsobených na výrobku, napríklad keď výrobok zasiahne cudzí predmet alebo ak začne neobvykle vibrovať.

- Nezapájajte poškodený kábel do napájacieho zdroja ani sa nedotýkajte poškodeného kábla pred tým, ako je odpojený od napájacieho zdroja. Poškodený kábel môže spôsobiť kontakt s časťami pod napätím a spôsobiť vážne poranenie alebo usmrtenie.
- Nikdy výrobok nepoužívajte s poškodenými chráničmi/krytmi, bez nainštalovaných bezpečnostných zariadení alebo v prípade, ak je poškodený alebo opotrebovaný kábel.
- Nepribližujte sa predlžovacími káblami k pohyblivým nebezpečným súčastiam, aby ste predišli poškodeniu káblov, ktoré by mohlo spôsobiť kontakt s časťami pod napätím.
- Výrobok zapájajte výlučne do napájacieho obvodu chráneného prúdovým chráničom (RCD) s vypínacím prúdom nie vyšším ako 30 mA.
- Výrobok nepoužívajte počas nepriaznivých poveternostných podmienok, najmä ak hrozí riziko bleskov.

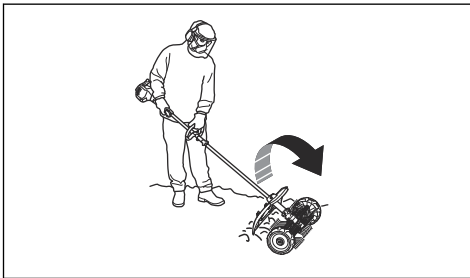
Bezpečnostné pokyny pre prevádzku



VÝSTRAHA: Skôr než budete produkt používať, prečítajte si nasledujúce výstrahy.

- Vypínač sa automaticky vráti do polohy štartovania. Overte si, či je zabránené náhodnému naštartovaniu počas vykonávania montáže, kontroly alebo údržby. Ak máte benzínové zariadenie, odpojte od sviečky kryt zapaľovacej sviečky. Ak máte zariadenie na batériu, vyberte batériu.
- Dávajte pozor na odletujúce predmety. Vždy noste ochranné prostriedky očí. Nikdy sa nad odmachovač nenakláňajte. Kamene, úlomky, atď. môžu vyletieť do očí a zapríčiniť slepotu alebo vážne poranenie.
- Prevod sa počas prevádzky môže zahriať a môže aj po použití zostať ešte chvíľu horúci. V prípade dotyku by ste sa mohli popáliť.
- Aj keď zametacie valce nemajú takú silu ako napríklad nože kosačiek na trávu, nepracujte s materiálmi, ktoré môžu pri vymrštení spôsobiť poranenie alebo vecné škody.
- Stroj smiete používať len v takom prípade, že ste schopní privolať pomoc v prípade nehody.
- Stroj používajte len na účel, na ktorý je určený.
- Nikdy nepoužívajte stroj pri únave, po požití alkoholu alebo liekov, pretože to môže viesť k zníženiu zrakovej schopnosti, schopnosti usudzovania, alebo telesnej rovnováhy.
- Nikdy nepoužívajte stroj za nepriaznivého počasia, napríklad pri veľkom mraze, vo veľmi horúcom alebo vlhkom podnebí.
- Nikdy nepoužívajte poškodené zariadenie. Vykonávajte bezpečnostné kontroly, údržby a dodržiavajte servisné pokyny uvedené v tomto návode. Účité opatrenia týkajúce sa servisu a údržby zariadenia musia vykonávať iba odborníci. Pozrite si pokyny v časti Údržba.

- Nikdy nedovoľte, aby zariadenie používali deti.
- Nikdy nikomu nedovoľte, aby používal zariadenie bez toho, že by ste sa najprv ubezpečili, že sa oboznámil s návodom na obsluhu a správne pochopil jeho obsah.
- Nedovoľte neoprávneným osobám, aby sa priblížili k miestu práce. Počas práce musia deti, zvieratá, okolostojace osoby a pomocníci zostať za bezpečnou zónou 15 metrov. Ak by sa niekto viac priblížil, stroj okamžite zastavte.
- V prípade neistoty ohľadom ďalšieho postupu sa obráťte na odborníka. Kontaktujte svojho predajcu alebo servisnú dielňu.
- Vyvarujte sa každému použitiu výrobku, ktoré podľa vás presahuje vaše možnosti.
- Presvedčte sa, že v blízkosti nie sú ľudia ani zvieratá, ktoré by mohli prísť do kontaktu s produktom alebo ovplyvniť jeho používanie.
- Ak nosíte chrániče sluchu, dávajte pozor na varovné signály alebo výkriky. Chrániče sluchu si skladajte hneď, ako sa motor zastaví.
- Nepoužívajte stroj v nepriaznivých podmienkach, ako sú hustá hmľa, silný dážď a vietor, silné mrazy a podobne. Práca v nepriaznivom počasí je únavná a často prináša zvýšené nebezpečenstvo, ako je napr. klzká zem.
- Skontrolujte, či sa môžete pohybovať a stáť bezpečne. Skontrolujte, či okolo vás nie sú prekážky (korene, skaly, vetvy, jamy a podobne) pre prípad, že by ste sa museli náhle pohnúť. Dávajte si pozor pri práci na svahu.



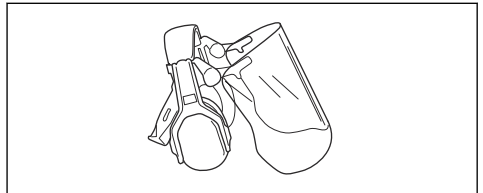
- Pred presunom na iné miesto je potrebné vypnúť motor.
- Stroj so spusteným motorom nikdy nepokladajte na zem, ak ho nemáte neustále pod dobrým dohľadom.
- Stroj vždy držte oboma rukami. Stroj držte vedľa tela.
- Dávajte pozor, aby sa ruky a nohy nedostali do blízkosti odmachovača, kým je v chode.
- Po vypnutí motora počkajte a nedotýkajte sa odmachovača rukami ani nohami, až kým sa úplne nezastaví.
- Ak dôjde k silným vibráciám, zastavte stroj. Ak máte benzínové zariadenie, odpojte vysokonapäťový kábel od zapalovacej sviečky. Ak máte zariadenie na batériu, vyberte batériu z výrobku. Skontrolujte, či stroj nie je poškodený. Akékoľvek poškodenie opravte.

Osobné ochranné prostriedky

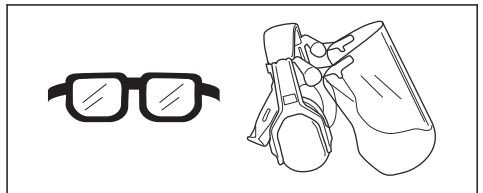


VÝSTRAHA: Skôr než budete výrobok používať, prečítajte si nasledujúce výstrahy.

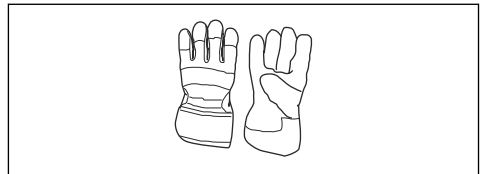
- Pri používaní produktu vždy používajte schválené osobné ochranné prostriedky. Osobné ochranné prostriedky nedokážu úplne vylúčiť riziko, ale môžu znížiť vážnosť zranenia v prípade nehody. Váš predajca vám pomôže pri výbere správnych prostriedkov.
- Používajte schválené chrániče sluchu, ktoré zaručujú primeranú redukciu hluku. Dlhodobé vystavenie sa hluku môže spôsobiť trvalé poškodenie sluchu.



- Používajte schválené chrániče očí. Ak používate štít, musíte tiež používať schválené ochranné okuliare. Schválené ochranné okuliare musia zodpovedať norme ANSI Z87.1 platnej v USA alebo norme EN 166 platnej v krajinách EÚ.



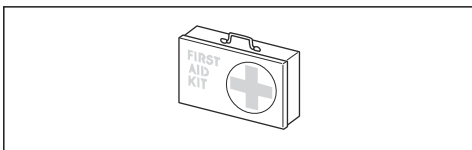
- Keď je to potrebné, používajte rukavice, ako napríklad pri montáži, kontrole alebo čistení rezného zariadenia.



- Používajte ochrannú obuv s oceľovými špičkami a protišmykovými podrážkami.



- Používajte odev vyrobený z pevnej tkaniny. Vždy noste pevné, dlhé nohavice a dlhé rukávy. Nepoužívajte voľný odev, ktorý sa môže zachytiť v konároch a vetvách. Nenoste šperky, krátke nohavice, sandále a nebuďte bosí. Vlasy si bezpečne uchytte nad úrovňou ramien.
- Majte poruke pomôcky na poskytnutie prvej pomoci.



Bezpečnostné zariadenia na nadstavci



VÝSTRAHA: Skôr než budete nadstavec používať, prečítajte si nasledujúce výstrahy.

V tejto časti sa uvádza popis bezpečnostných funkcií nadstavca, jeho účel a spôsob vykonávania kontrol a údržby, aby bola zabezpečená správna činnosť nadstavca. Pozrite si pokyny v časti *Prehľad informácií o rezacom nástroji na strane 192*, kde nájdete umiestnenie týchto súčastí na nadstavca.

Ak sa údržba nadstavca nebude vykonávať správne a ak sa servis alebo opravy nebudú vykonávať odborné, skrúti sa tým jeho životnosť a zvýši sa nebezpečenstvo nehôd. Ak potrebujete podrobnejšie informácie, obráťte sa na najbližší servis.



VÝSTRAHA: Nikdy nepoužívajte nadstavec, ktorý má chybné bezpečnostné súčasti. Bezpečnostné vybavenie nadstavca sa musí kontrolovať a udržiavať tak, ako je to opísané v tejto časti. Ak nadstavec neprejde niektorou z kontrol, obráťte sa

na servisného zástupcu a požiadajte ho o opravu.



VÝSTRAHA: Všetky servisné a opravné práce na výrobku si vyžadujú špeciálne školenie. Platí to najmä o bezpečnostnom vybavení výrobku. Ak výrobok neprejde niektorou z kontrol popísaných nižšie, obráťte sa na servisného zástupcu. Pri kúpe ktoréhokoľvek z našich výrobkov vám zaručujeme dostupnosť odborných opráv a servis. Ak maloobchodný predajca, ktorý vám výrobok predáva, nie je servisný technik, požiadajte ho o adresu najbližšej servisnej dielne.

Bezpečnostné pokyny pre údržbu



VÝSTRAHA: Skôr než začnete s údržbou, prečítajte si nasledujúce výstrahy.

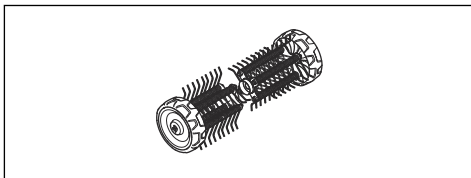


VÝSTRAHA: Pred údržbou nadstavca vždy vypnite výrobok. Postupujte opatrne. Aj po uvoľnení páčky vypínača/páčky plynu sa môže nadstavec ešte chvíľu pohybovať. Uistite sa, že sa nadstavec úplne zastavil. Ak máte benzínové zariadenie, odpojte vysokonapäťový kábel od zapalovacej sviečky. Ak máte zariadenie na batériu, vyberte batériu.



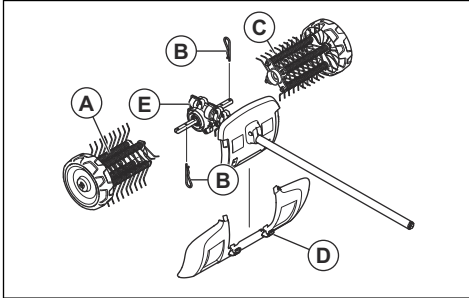
VÝSTRAHA: Vždy používajte ochranné rukavice.

- Skôr ako začnete, celý stroj skontrolujte. Skontrolujte, či sú všetky kryty a chrániče bezpečne pripevnené. Skontrolujte všetky matice a skrutky.
- Ak máte benzínové zariadenie, skontrolujte, či nedochádza k únikom paliva.
- Poškodené diely vymeňte.



Montáž

Montáž nadstavca

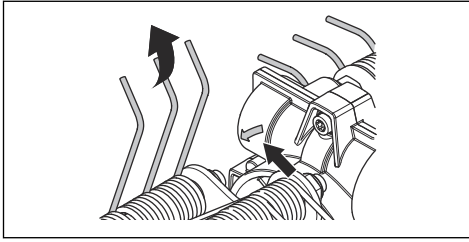


Šípka na skriňi prevodovky označuje smer otáčania. Skriňa prevodovky musí byť umiestnená podľa obrázka.

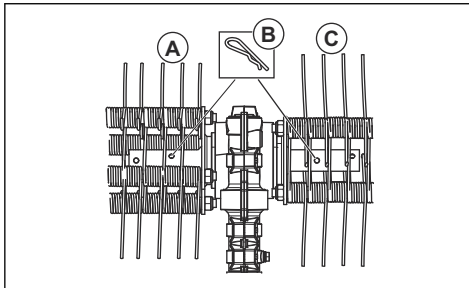
DÔLEŽITÉ:

Valce odmachovača sú označené šípkami, ktoré znázorňujú smer otáčania. Valce odmachovača musia byť nasadené správne.

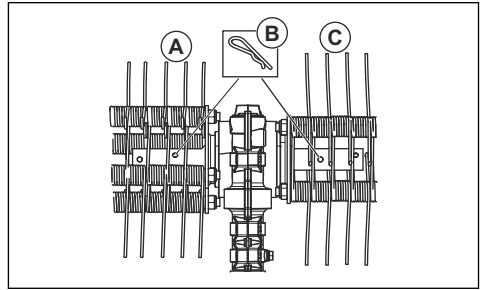
Valce odmachovača musia byť namontované tak, aby boli od seba mierne odsunuté. Pružiny odmachovača musia smerovať rovnakým smerom ako šípka smeru otáčania vyznačená na skriňi prevodovky.



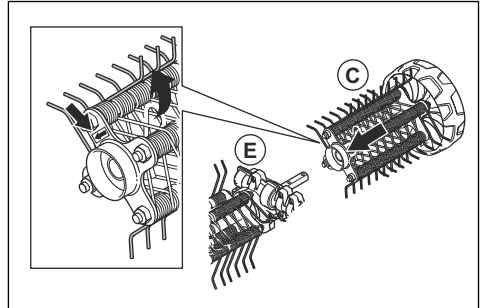
1. Natlačte ľavý odmachovač (A) na ľavý hnací hriadeľ vystupujúci zo skrinky prevodovky (E).



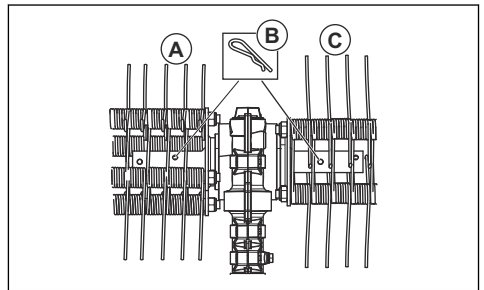
2. Upevnite valec odmachovača závlačkou (B) do vnútorného otvoru v hriadeľi.



3. Natlačte pravý odmachovač (C) na pravý hnací hriadeľ vystupujúci zo skrinky prevodovky (E).



4. Upevnite valec odmachovača závlačkou (B) do vnútorného otvoru v hriadeľi.



5. Pomocou zacvakávacích príchytiek (D) nasadte chránič proti prskaniu.

Poznámka: Pri montáži príslušenstva na základný výrobok si pozrite návod základného výrobku.

Prevádzka

Spustenie výrobku so studeným motorom

Ak máte benzínové zariadenie, riadte sa týmito pokynmi na štartovanie výrobku so studeným motorom.

1. Zahrejte základný výrobok a potom ho vypnite.
2. Namontujte nadstavec podľa pokynov na montáž.
3. Pri nastavovaní karburátora musí byť odmachovač opretý o zem a v blízkosti nesmú byť žiadne iné osoby.
4. Nechajte odmachovač pracovať na voľnobehu.
5. Skontrolujte, či je rukoväť a bezpečnostné zariadenia v dobrom funkčnom stave. Nikdy nepoužívajte výrobok, ktorému chýba určitá časť alebo bol upravený inak, ako je uvedené v jeho špecifikáciách.

Používanie nadstavca

1. Odmachovač používajte pri plnom plyne (alebo takmer plnom plyne) a s kolesami položenými na danom povrchu.

Poznámka: Zdvíhať odmachovač pri práci nad povrch alebo ho držať zdvihnutý nad povrchom je únavné a zbytočné.

2. Udržujte ostrý pracovný uhol k povrchu. Pri veľkom pracovnom uhle má odmachovač tendenciu pohybovať sa smerom k vám a riskujete, že stratíte nad výrobkom kontrolu.



Údržba

Úvod

V nasledujúcom texte sú uvedené niektoré všeobecné pokyny na údržbu. Ak potrebujete podrobnejšie informácie, kontaktujte vášho predajcu.

Údržba nadstavca



VAROVANIE: Veľa práce s odmachovačom sa často vykonáva v prašných podmienkach. Ak máte benzínové zariadenie, je mimoriadne dôležité, aby sa vzduchový filter pravidelne, často aj každý deň, kontroloval a olejoval s cieľom zabezpečenia jeho dobrej funkčnosti.

Pozrite si pokyny na údržbu v návode na obsluhu pohonnej jednotky.

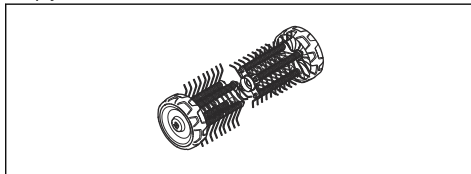


VÝSTRAHA: Pri vykonávaní údržby nadstavca vždy používajte ochranné rukavice.



VÝSTRAHA: Skriňa prevodovky sa počas používania výrobku zohreje. Nedotýkajte sa skrine prevodovky, aby ste predišli popáleniu.

1. Uistite sa, či sa po uvoľnení páčky vypínača/páčky plynu odmachovač neotáča.



2. Ak sa kolesá voľne neotáčajú, očistite ich.

Preprava, skladovanie a likvidácia

Preprava a uskladnenie

Pred dlhodobým skladovaním vykonajte kompletný servis rezacieho nástroja a vyčistite ho.

Ak rezací nástroj prepravujete na inom vozidle, vždy používajte schválené zabezpečovacie prvky a uistite sa, že nástroj je bezpečne upevnený.

Technické údaje

Technické údaje pre benzínové zariadenia

Odmachovač	DT600
Šírka, mm	556
Hmotnosť	
Hmotnosť, kg	6,5
Emisie hluku ¹¹⁵	
Nameraná úroveň hlučnosti dB(A)	105
Zaručená úroveň hlučnosti L_{WA} dB(A)	109
Úroveň hlučnosti ¹¹⁶	
Ekvivalentná hladina akustického tlaku pri uchu používateľa meraná podľa normy EN ISO 22868, dB(A):	95
Vibrácie ¹¹⁷	
Ekvivalentné hladiny vibrácií ($a_{hv,eq}$) na rukovätiach merané podľa normy EN ISO 22867, m/s^2	
Predné/zadné rukoväti	6,2/4,3

Technické údaje pre zariadenia na batériu

325ILK + nastavtec odmachovača DT600	
Šírka, mm	556
Hmotnosť	
Hmotnosť, kg	2,3 + 6,5

¹¹⁵ Merané spolu s príslušenstvom, ktoré schválila spoločnosť Husqvarna. Hladina hluku meraná ako akustický tlak (L_{WA}) v súlade s európskou smernicou 2000/14/ES. Uvádzaná hladina akustického výkonu pre stroj bola meraná s originálnym rezacím nastavcom, ktorý produkuje najvyššiu úroveň. Rozdiel medzi zaručeným a nameraným akustickým výkonom spočíva v tom, že zaručený akustický výkon zahŕňa aj rozptyl výsledkov merania a rozdiely medzi jednotlivými strojmi rovnakého modelu v súlade so smernicou 2000/14/ES.

¹¹⁶ Merané spolu s príslušenstvom, ktoré schválila spoločnosť Husqvarna. Uvádzané údaje pre ekvivalentnú hladinu akustického tlaku majú typický štatistický rozptyl (štandardnú odchýlku) 1 dB (A).

¹¹⁷ Merané spolu s príslušenstvom, ktoré schválila spoločnosť Husqvarna. Uvádzané údaje pre ekvivalentnú hladinu vibrácií majú typický štatistický rozptyl (štandardnú odchýlku) 1 m/s^2 .

325iLK + nadstavec odmachovača DT600	
Emisie hluku ¹¹⁸	
Nameraná úroveň hlučnosti dB(A)	89
Úrovně hlučnosti ¹¹⁹	
Hladina akustického tlaku pri uchu používateľa meraná podľa normy EN ISO 22868, dB(A):	77
Vibrácie ¹²⁰	
Hladiny vibrácií na držadlách, merané podľa normy EN ISO 62841-1, m/s ²	
Predné/zadné rukoväti	1,9/2,6
Vybavený schváleným príslušenstvom (originál), vľavo/vpravo	1,9/2,6

¹¹⁸ Uvádzané údaje pre hladinu hlučnosti majú typický štatistický rozptyl (štandardnú odchýlku) 3 dB (A) a boli namerané s originálnym nadstavcom, ktorý má najvyššiu úroveň.

¹¹⁹ Uvádzané údaje pre hladinu akustického tlaku majú typický štatistický rozptyl (štandardnú odchýlku) 3 dB (A) a boli namerané s originálnym nadstavcom, ktorý má najvyššiu úroveň.

¹²⁰ Uvádzané údaje pre ekvivalentný stupeň vibrácií majú typický štatistický rozptyl (štandardnú odchýlku) 2 m/s². Ak chcete porovnať úrovně vibrácií pre výrobky s batériou a so spaľovacím motorom, použite kalkulačtor vibrácií. <https://www.husqvarna.com/uk/services-solutions/vibration-calculator/>.

Vyhlásenie o zhode

Vyhlásenie o zhode EÚ

My, spoločnosť **Husqvarna AB**, SE-561 82 Huskvarna, Švédsko, tel.: +46-36-146500, vyhlasujeme s plnou zodpovednosťou, že výrobok:

Popis	Odmachovač
Značka	Husqvarna
Typ/model	DT600
Identifikácia	Výrobné čísla od roku 2022 a novšie

plne spĺňa nasledujúce smernice a nariadenia EÚ:

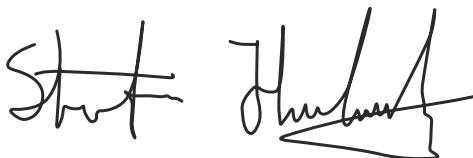
Smernice / Nariadenia	Popis
2006/42/ES	„o strojových zariadeniach“
2000/14/ES	„týkajúca sa emisie hluku v prostredí pochádzajúceho zo zariadení používaných vo voľnom priestranstve“
2011/65/EÚ	„o obmedzení používania určitých nebezpečných látok v elektrických a elektronických zariadeniach“

a že sa pri ňom uplatňujú nasledujúce normy a technické špecifikácie: EN ISO 12100:2010, EN IEC 63000:2018

Spoločnosť RISE SMP Svenska Maskinprovning AB, Box 7035, SE-750 07 Uppsala, Sweden z poverenia spoločnosti Husqvarna AB vykonala dobrovoľnú typovú skúšku.

Číslo certifikátu: SEC/15/2411

Huskvarna, 2022-03-14



Stefan Holmberg, riaditeľ výskumu a vývoja, oddelenie riadenia technológií, Husqvarna AB

Zodpovedný za technickú dokumentáciu



VSEBINA

Uvod.....	202	Vzdrževanje.....	208
Varnost.....	203	Transport skladiščenje in odstranitev.....	208
Montaža.....	207	Tehnični podatki.....	209
Delovanje.....	208	Izjava o skladnosti.....	211

Uvod

Opis izdelka

Nenehno razvijamo in izpopolnjujemo svoje izdelke in si zato pridržujemo pravico do sprememb njihove oblike in videza brez predhodnega opozorila.

Opomba: Ta priročnik vsebuje navodila tako za električne naprave na bencin kot tudi za tiste na baterije.

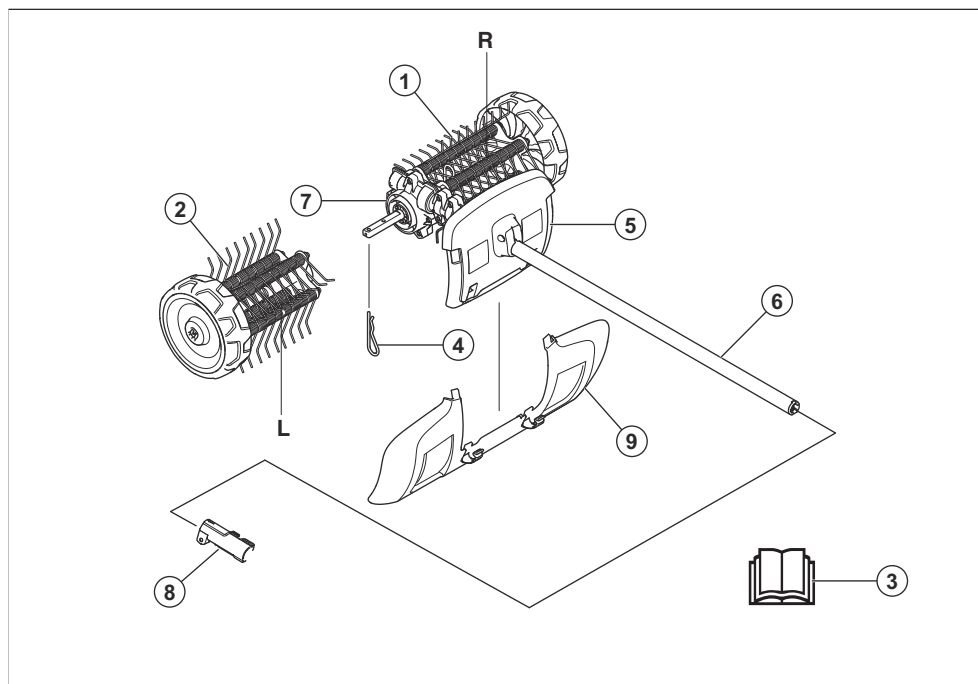
Namen uporabe



OPOZORILO: Priključek lahko uporabljate samo skupaj z izdelkom, za katerega je predviden. Glejte razdelek o dodatni opremi v navodilih za uporabo izdelka.

Priključek je zasnovan samo za ločevanje trave od mahu.

Pregled priključka



1. Desni rahljalnik za odstranjevanje mahu
2. Levi rahljalnik za odstranjevanje mahu
3. Navodila za uporabo
4. Raztezni zatič
5. Ščitnik (zaščita na gredi)

6. Gred
7. Ohišje menjalnika
8. Spojka gredi (priložena izdelku)
9. Ščitnik proti brizganju

Simboli na priključku in na električni napravi



Površna in napačna uporaba tega priključka lahko povzroči hude telesne poškodbe in celo smrt uporabnika ali drugih oseb.



Pred začetkom uporabe priključka natančno preberite navodila za uporabo in se prepričajte, da ste jih razumeli.



Uporabljajte odobreno zaščito za sluh. Uporabljajte odobreno zaščito oči. Če je nevarnost prašenja, uporabljajte dihalno masko.



Priključek je v skladu z veljavnimi direktivami ES.



Izdelek je v skladu z veljavnimi direktivami ZK.



Rotirajoči deli. Držite roke in noge stran. Puščica označuje smer vrtenja.



Vedno nosite odobrene zaščitne rokavice.



Nosite vedno grobe škornje, v katerih ne drsi.



Pazite na leteče in odbite predmete.



Uporabnik mora poskrbeti, da v območju 15 m okrog naprave ni ljudi ali živali. Če več uporabnikov dela skupaj, morajo upoštevati medsebojno varnostno razdaljo najmanj 15 m. Priključek lahko izvrže predmete, ki se lahko odbijejo nazaj. Če ne uporabljate priporočene varnostne opreme, lahko pride do resnih poškodb oči.



Med uporabo izdelka bodite na varni razdalji 15 m/50 čevljev od drugih oseb in živali.



Delov telesa ne približujte vročim površinam.



Emisija hrupa v okolje je skladna z direktivami in uredbami EU, ZK ter zakonodajo Novega južnega Walesa, in sicer z direktivo "Zaščita okolja pri delu (nadzor hrupa) iz 2017". Zajamčena raven zvočne moči izdelka je navedena na in v *Tehnični podatki na strani 209* in na oznaki.

Opomba: Ostali znaki in nalepke na priključku se nanašajo na specifične certifikacijske zahteve, ki veljajo na nekaterih tržiščih.

Varnost

Varnostne definicije

Opozorila, previdnostni ukrepi in opombe se uporabljajo za izpostavljanje zlasti pomembnih delov navodil za uporabo.



OPOZORILO: Se uporabi, če obstaja nevarnost poškodbe ali življenjske ogroženosti operaterja ali opazovalcev ob neupoštevanju navodil v tem priročniku.



POZOR: Se aktivira, če obstaja nevarnost poškodbe izdelka in/ali nastavka, drugih materialov ali okolice ob neupoštevanju navodil v tem priročniku.

Opomba: Se uporabi za podajanje podrobnejših informacij, potrebnih v dani situaciji.

Splošna varnostna navodila



OPOZORILO: Rezilo se vrti celo po zaustavitvi motorja.

- Pred začetkom uporabe priključka natančno preberite navodila za uporabo in se prepričajte, da ste jih razumeli.
- Ta navodila so dopolnilo k navodilom, ki so priložena izdelku. Za druge postopke si oglejte navodila za uporabo izdelka.
- Nikoli ne smete spreminjati prvotne izvedbe priključka brez predhodnega dovoljenja proizvajalca. Ne uporabljajte priključka, če opazite, da ga je spreminjal nekdo drug, in vedno uporabljajte originalno dodatno opremo. Spremembe brez pooblastila in/ali neoriginalni deli lahko povzročijo resne poškodbe ali smrt uporabnika in drugih.

Preberite vsa navodila



OPOZORILO: Pri uporabi električnih vrtnih naprav morate vedno upoštevati in izvajati osnovne varnostne predpise, s čimer zmanjšate nevarnost požara, električnega udara in telesnih poškodb. Upoštevajte naslednje:

Varnostna navodila enote

- Otrokom, osebam z omejenimi telesnimi, senzoričnimi ali duševnimi sposobnostmi ali pomanjkanjem izkušenj in znanja ter ljudem, ki s temi navodili niso seznanjeni, nikoli ne dovolite, da uporabljajo izdelek. Lokalni predpisi lahko omejujejo starost delavca.
- Izdelka nikoli ne uporabljajte, ko so v bližini ljudje, še posebej otroci, ali domači ljubljenci.
- Ne segajte predaleč in ves čas pazite na ravnovesje. Na pobočjih bodite previdni in stopajte, ne tecite.
- Ne dotikajte se premikajočih se nevarnih delov, dokler stroj ni izključen iz električnega omrežja, nevarni deli pa se niso popolnoma zaustavili.
- Med upravljanjem stroja vedno nosite primerno obutev in dolge hlače.
- Iz izdelka vedno odstranite baterijo, če izdelek ni nadzorovan, preden odstranite blokado in pred čiščenjem ali delom.
- Preden pregledate izdelek, na primer zaradi udarca v tujek ali neobičajnega tresenja izdelka, iz njega odstranite baterijo.
- Poškodovanega kabla ne priključite na napajanje in se ga ne dotikajte, dokler ga ne izključite iz napajanja. Poškodovan kabel lahko privede do stika z deli pod napetostjo in tako povzroči telesne poškodbe ali smrt.

- Nikoli ne uporabljajte izdelka z okvarjenimi ščitniki, brez varnostnih naprav ali če je kabel poškodovan ali obrabljen.
- Pazite, da kabelski podaljški niso v bližini premikajočih se nevarnih delov, saj bi lahko ti poškodovali kable in povzročili stik z deli pod napetostjo.
- Izdelek priključite samo na napajalni tokokrog, zaščiteno z napravo za rezidualni tok (RCD) z izklopnim tokom največ 30 mA.
- Izdelka ne uporabljajte v slabem vremenu, še posebej, ko obstaja nevarnost bliskanja.

Varnostna navodila za uporabo

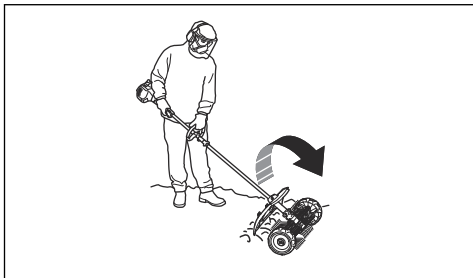


OPOZORILO: Pred uporabo izdelka preberite navodila v povezavi z opozorili v nadaljevanju.

- Stikalo za zaustavitev se samodejno vrne v začetni položaj. Prepričajte se, da med sestavljanjem, pregledovanjem in/ali vzdrževanjem ne more priti do nenamernega zagona. Če imate izdelek, ki deluje na bencin, snemite pokrov svečke s svečke. Če imate izdelek, ki deluje na baterijo, jo odstranite.
- Pozor pred izmetom predmetov. Vedno nosite zaščitno za oči. Nikoli se ne nagibajte prek rahljalnika za odstranjevanje mahu Kamenje, odpadke ipd. lahko stroj vrže v oči, to pa lahko povzroči slepoto ali resne poškodbe.
- Menjalnik se lahko med uporabo segreje in lahko ostane vroč tudi po uporabi. Ob dotiku se lahko opečete.
- Čeprav bobna za pometanje ne delujeta z enako močjo kot, na primer, noži kosilnice, se izogibajte delu z materiali, ki lahko ob izmetu povzročajo osebne poškodbe ali materialno škodo.
- Nikoli ne uporabljajte stroja, če v primeru nesreče ne morete priklicati pomoči.
- Stroj uporabljajte samo v skladu z namenom uporabe.
- Stroja ne uporabljajte, če ste utrujeni, pod vplivom alkohola ali če jemljete zdravila, ki lahko vplivajo na vid, presojo ali koordinacijo.
- Stroja nikoli ne uporabljajte v izrednih vremenskih pogojih, kot so izredno mrzli, izredno vroči in/ali vlažni pogoji.
- Ne uporabljajte pokvarjenega stroja. Sledite navodilom za varnostni pregled, vzdrževanje in servis v skladu z napotki v teh navodilih. Nekatere vrste vzdrževalnih del in popravil lahko opravi samo za to usposobljeno strokovno osebje. Glejte navodila v poglavju Vzdrževanje.
- Otrokom ne dovolite uporabljati stroja.
- Preden stroj uporablja druga oseba, se prepričajte, da je prebrala in razumela vsebino navodil za uporabo.
- Nepooblaščen osebe naj bodo na varni razdalji. Otroci, živali, opazovalci in pomočniki morajo med

delom ostati zunaj varnostnega območja, ki meri 15 metrov. Če se kdo približa, stroj takoj ustavite.

- V primeru dvoma, ali je nadaljnja uporaba še primerna, se posvetujte s strokovnjakom. Obrnite se na svojega zastopnika ali servisno delavnico.
- Izogibajte se situacijam, ki se vam zdijo prezahtevne.
- Opazujte okolico in se prepričajte, da ne obstaja nevarnost, da nobena oseba ali žival ne more priti v stik z izdelkom ali vplivati na vaš nadzor nad izdelkom.
- Bodite vedno pozorni na svarilne znake in klice, kadar uporabljate zaščito za sluh. Vedno odstranite zaščito za sluh takoj, ko stroj/motor preneha delovati.
- Stroj ne uporabljajte v slabem vremenu, na primer v gosti megli, močnem dežju, ob močnem vetru ali v hudem mrazu ipd. Delo v slabem vremenu izčrpava in je povezano z dodatnimi tveganji, na primer zaradi spolzkih površin.
- Prepričajte se, da se lahko varno gibljete in stojite. Če se morate nepričakovano premakniti, preverite okolico za morebitne ovire (korenine, kamenje, veje, jarke, itd.). Pri delu na nagnjenih tleh bodite še posebej previdni.



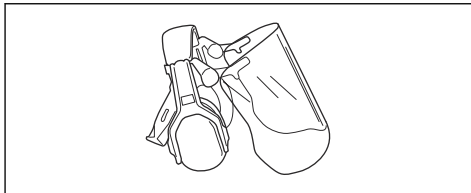
- Pred premikanjem morate izklopiti stroj/motor.
- Stroj ne odlagajte z delujočim motorjem, razen če ga imate neprekinjeno pod nadzorom.
- Napravo vedno držite z obema rokama. Napravo držite ob telesu.
- Med delovanjem rahljalnika za odstranjevanje mahu z rokami ali nogami ne segajte v območje delovanja.
- Po izklopu motorja z rokami in nogami ne segajte v območje delovanja rahljalnika za odstranjevanje mahu, dokler se ta ne zaustavi popolnoma.
- Če se pojavijo močnejše vibracije, izklopite stroj. Če imate izdelek, ki deluje na bencin, odklopite kabel z vžigalne svečke. Če imate izdelek, ki deluje na baterijo, jo odstranite iz izdelka. Prepričajte se, da stroj ni poškodovan. Popravite poškodbe.

Osebna zaščitna oprema

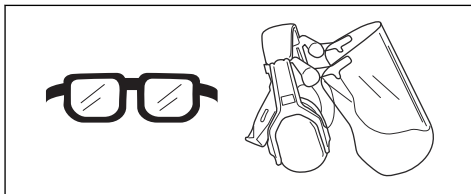


OPOZORILO: Pred uporabo izdelka preberite navodila v povezavi z opozorili v nadaljevanju.

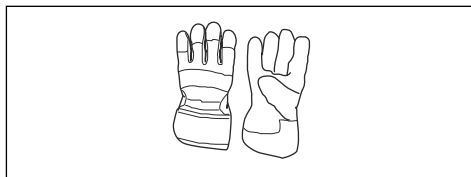
- Pri uporabi izdelka vedno uporabljajte odobreno osebno zaščitno opremo. Osebna zaščitna oprema ne more popolnoma preprečiti poškodb, vendar v primeru nesreče omili posledice. Prodajalec naj vam pomaga izbrati ustrezno opremo.
- Nosite homologirano zaščito za sluh, ki ustrezno zmanjšuje hrup. Dolgotrajna izpostavljenost hrupu lahko povzroči trajne okvare sluha.



- Uporabljajte odobreno zaščito oči. Tudi če uporabljate vizir, morate vedno uporabljati tudi homologirana zaščitna očala. Homologirana zaščitna očala morajo biti skladna s standardom ANSI Z87.1 za ZDA ali s standardom EN 166 za države EU.



- Po potrebi uporabite rokavice, npr. kadar pritrjujete, pregledujete ali čistite rezalno opremo.

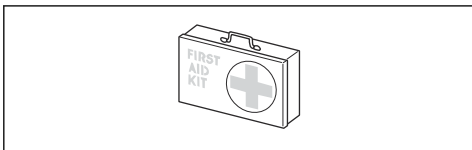


- Uporabljajte zaščitne škornje z ojačano konico in nederščim podplatom.



- Uporabljajte oblačila iz trepnih materialov. Vedno uporabljajte trpežne dolge hlače in dolge rokave. Ne uporabljajte ohlapnih oblačil, ki se lahko zataknejo za vejice ali veje. Ne nosite nakita, kratkih hlač in sandalov in ne hodite bos. Lase si varno spnite nad rameni.

- Paket prve pomoči hranite na doseg roke.



Varnostne naprave na priključku



OPOZORILO: Pred uporabo priključka preberite navodila v povezavi z opozorili v nadaljevanju.

V tem poglavju je opisana zaščitna oprema priključkov, namen zaščitnih funkcij ter priporočeni načini preverjanja in vzdrževanja za zagotavljanje pravilnega delovanja. Za mesta delov na priključku si oglejte navodila pod naslovom *Pregled priključka na strani 202*.

Življenjska doba priključka se lahko zaradi nepravilnega vzdrževanja oziroma zaradi nestrokovnih popravil ali servisiranja skrajša, poveča pa se tudi nevarnost nesreč. Če potrebujete več informacij, se obrnite na najbližjega pooblaščenega servisnega trgovca.



OPOZORILO: Nikoli ne uporabljajte priključka s poškodovanimi varnostnimi deli. Varnostno opremo priključka je treba pregledovati in vzdrževati v skladu z navodili, ki so podana v tem poglavju. Če priključek ob pregledu ne izpolnjuje vseh opisanih pogojev, se nemudoma obrnite na pooblaščenega serviserja za popravilo.



OPOZORILO: Za vsa servisna dela in popravila na izdelku je treba opraviti posebno usposabljanje. To še posebej velja za varnostno opremo izdelka. Če pri spodaj opisanem pregledu ugotovite, da kateri koli del izdelka ne deluje tako, kot je opisano spodaj, se nemudoma obrnite na

pooblaščen servisno delavnico. Pri nakupu vseh naših izdelkov vam jamčimo dostop do strokovnih popravil in servisa. Če izdelka niste kupili v kateri od naših pooblaščenih servisnih prodajaln, prodajalca vprašajte o najbližji pooblaščen servisni delavnici.

Varnostna navodila za vzdrževanje



OPOZORILO: Pred vzdrževanjem preberite naslednja opozorilna navodila.

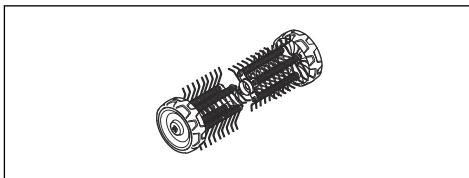


OPOZORILO: Pred vzdrževanjem priključka izdelek izklopite. Pazite, priključek se lahko premika, tudi ko sprostite plin/ sprožilec plina. Prepričajte se, da se je priključek popolnoma zaustavil. Če izdelek uporabljate z bencinom, odklopite kabel z vžigalne svečke. Če izdelek deluje na baterije, jo odstranite.



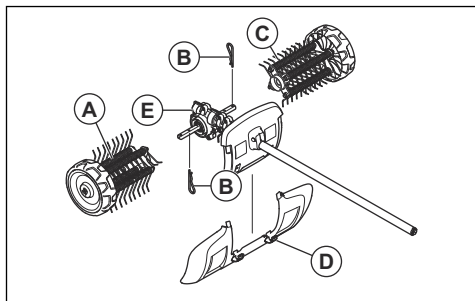
OPOZORILO: Vedno uporabljajte rokavice.

- Pred začetkom pregledajte celoten izdelek. Prepričajte se, da so vsi ščitniki in pokrovi nepoškodovani in pravilno pritrjeni. Preverite vse matice in vijake.
- Če imate izdelek, ki deluje na bencin, se prepričajte, da gorivo ne izteka.
- Zamenjajte poškodovane dele.



Montaža

Montaža priključka

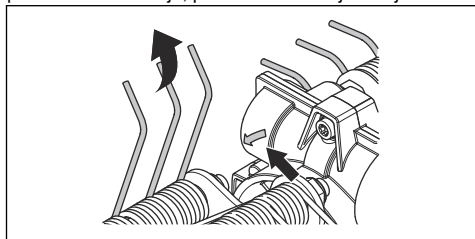


Puščica na ohišju menjalnika označuje smer vrtenja. Ohišje menjalnika je treba namestiti v skladu s sliko.

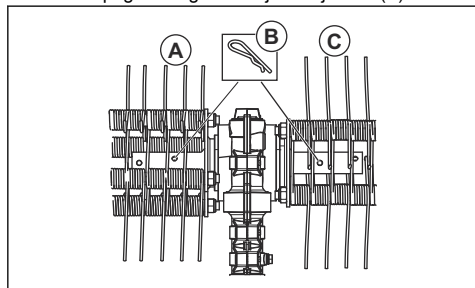
POMEMBNO:

Na kolesih rahljalnika za odstranjevanje mahu so puščice za označevanje smeri vrtenja. Prepričajte se, da sta kolesci rahljalnika za odstranjevanje mahu nameščeni pravilno.

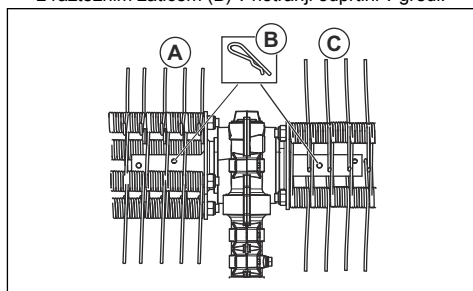
Kolesci rahljalnika za odstranjevanje mahu morata biti nameščeni rahlo zamaknjeni eno na drugo. Vzmeti rahljalnika za odstranjevanje mahu morata kazati v smer puščice smeri vrtenja, prikazane na ohišju menjalnika.



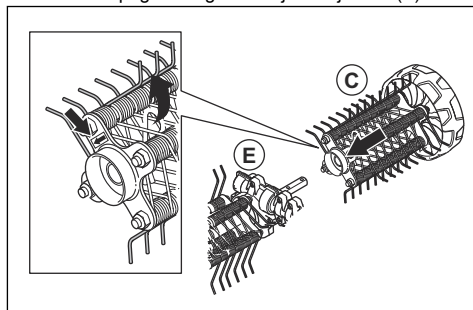
1. Levi rahljalnika za odstranjevanje mahu (A) potisnite na levo pogonsko gred ohišja menjalnika (E).



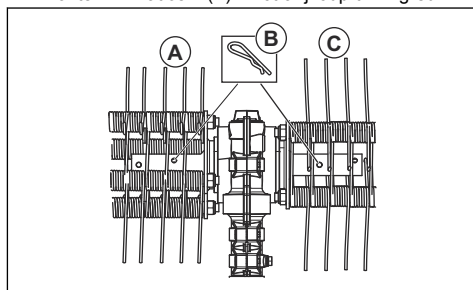
2. Kolesce rahljalnika za odstranjevanje mahu pritrdite z razteznim zatičem (B) v notranji odprtini v gredi.



3. Desni rahljalnik za odstranjevanje mahu (C) potisnite na desno pogonsko gred ohišja menjalnika (E).



4. Kolesce rahljalnika za odstranjevanje mahu pritrdite z razteznim zatičem (B) v notranji odprtini v gredi.



5. Z natičnimi sponkami (D) pritrdite ščitnik pred pršenjem.

Opomba: Navodila za nameščanje dodatne opreme na osnovni izdelek najdete v priročniku osnovnega izdelka.

Delovanje

Zagon izdelka s hladnim motorjem

Če imate izdelek, ki deluje na bencin, upoštevajte ta navodila za zagon izdelka s hladnim motorjem.

1. Osnovni del izdelka naj deluje, da se bo segrel, nato pa ga izklopite.
2. Priključek namestite v skladu z navodili za montažo.
3. Pri nastavitvi uplinjača se prepričajte, da je rahljalniki za odstranjevanje mahu pritisnjen ob tla in da v bližini ni nikogar.
4. Rahljalniki za odstranjevanje mahu naj deluje v prostem teku.
5. Prepričajte se, da so ročaj in varnostne funkcije v brezhibnem stanju. Nikoli ne uporabljajte izdelka z manjkajočim delom ali predelanega izdelka (izven specifikacij).

Uporaba priključka

1. Rahljalniki za odstranjevanje mahu uporabljajte pri polnem plinu (ali skoraj polnem plinu), pri tem pa se mora kolesce za pometanje dotikati tal.

Opomba: Držanje rahljalnika za odstranjevanje mahu nad tlemi je tako naporno kot tudi nepotrebno.

2. Ohranajte natančen delovni kot do površine. Prevelik delovni kot lahko povzroča premikanje rahljalnika za odstranjevanje mahu proti uporabniku in posledično nevarnost izgube nadzora nad izdelkom.



Vzdrževanje

Uvod

V nadaljevanju je zapisanih nekaj splošnih navodil za vzdrževanje. Če potrebujete več informacij, se obrnite na svojo servisno delavnico.

Vzdrževanje priključka



POZOR: Dela na rahljalniku za odstranjevanje mahu pogosto potekajo v prašni okolici. Če imate izdelek, ki deluje na bencin, je izjemno pomembno redno pregledovanje zračnega filtra, pogosto vsakodnevno. Za pravilno delovanje ga je treba naoljiti v rednih intervalih.

Navodila za vzdrževanje najdete v uporabniškem priročniku električne naprave.

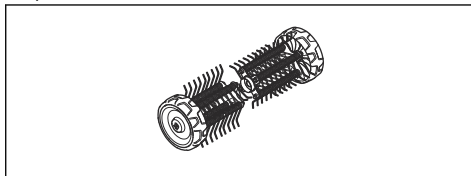


OPOZORILO: Med vzdrževanjem priključka vedno uporabljajte zaščitne rokavice.



OPOZORILO: Med uporabo izdelka se ohišje menjalnika močno segreje. Da bi se izognili opeklinam se ne dotikajte ohišja naprave.

1. Prepričajte se, da se rahljalniki za odstranjevanje mahu ne premika, tudi ko sprostite plin/sprožilec plina.



2. Če se kolesa ne vrtijo nemoteno, jih očistite.

Transport skladiščenje in odstranitev

Prevoz in skladiščenje

Pri transportu priključka na drugem vozilu vedno uporabite odobrene varnostne naprave in poskrbite, da je priključek varno pritrjen.

Pred dolgotrajnim skladiščenjem poskrbite, da bo priključek čist in da bo na njem opravljen popoln servis.

Tehnični podatki

Tehnični podatki za izdelke, ki delujejo na bencin

Rahljalnik za odstranjevanje mahu	DT600
Širina, mm	556
Teža	
Teža, kg	6,5
Emisije hrupa ¹²¹	
Izmerjen nivo zvočne moči dB (A)	105
Raven zvočne moči, zajamčena L_{WA} v dB(A)	109
Nivoji hrupa ¹²²	
Ekvivalentna raven zvočnega tlaka na uporabnikovem ušesu, merjena po EN ISO 22868, dB (A):	95
Tresljaji ¹²³	
Ekvivalentne ravni vibracij ($a_{hv,eq}$) v ročajih, izmerjene v skladu z EN ISO 22867, m/s^2	
Sprednji/zadnji ročaj	6,2/4,3

Tehnični podatki za izdelke, ki delujejo na baterijo

325iLK + rahljalnik DT600	
Širina, mm	556
Teža	
Teža, kg	2,3 + 6,5
Emisije hrupa ¹²⁴	
Raven zvočne moči, izmerjena v dB (A)	89
Nivoji hrupa ¹²⁵	

¹²¹ Merjeno z Husqvarna odobreno dodatno opremo. Emisije hrupa v okolju, merjene kot moč zvoka (L_{WA}), v skladu z direktivo ES 2000/14/ES. Navedena raven zvočne moči naprave je bila izmerjena z originalnim rezalnim priključkom, ki dosega najvišjo raven. Razlika med zajamčeno in izmerjeno ravno zvočne moči je v tem, da zajamčena raven zvočne moči, v skladu z direktivo 2000/14/ES, vključuje tudi razpršitev izmerjenih vrednosti in razlike med različnimi napravami istega modela.

¹²² Merjeno z Husqvarna odobreno dodatno opremo. Podatki za ekvivalentno raven zvočnega tlaka za napravo imajo tipično statistično razpršitev (standardni odklon) v vrednosti 1 dB (A).

¹²³ Merjeno z Husqvarna odobreno dodatno opremo. Zabeleženi podatki za ekvivalentno raven vibracij imajo tipično statistično razpršitev (standardni odklon) 1 m/s^2 .

¹²⁴ Podatki za raven zvočne moči za napravo imajo tipično statistično razpršitev (standardni odklon) v vrednosti 3 dB (A) in so bili izmerjeni z originalnim nastavkom, ki dosega najvišjo raven hrupa.

¹²⁵ Podatki za raven zvočnega tlaka za napravo imajo tipično statistično razpršitev (standardni odklon) v vrednosti 3 dB (A) in so bili izmerjeni z originalnim nastavkom, ki dosega najvišjo raven hrupa.

325iLK + rahljalik DT600	
Raven zvočnega tlaka na uporabnikovem ušesu, merjeno po EN ISO 22868, dB (A):	77
Tresljaji ¹²⁶	
Ravni vibracij pri ročajih, izmerjene v skladu s standardom EN 62841-1, m/s ²	
Sprednji/zadnji ročaj	1,9/2,6
Opremljeno z odobreno dodatno opremo (originalno), levo/desno	1,9/2,6

¹²⁶ Zabeleženi podatki za raven vibracij imajo tipično statistično razpršitev (standardni odklon) v višini 2 m/s². Za primerjavo ravni tresljajev pri izdelkih, ki delujejo na baterije in različna goriva, uporabite računalnik za izračun tresljajev. <https://www.husqvarna.com/uk/services-solutions/vibration-calculator/>.

Izjava o skladnosti

Izjava EU o skladnosti

Mi, **Husqvarna AB**, SE--561 82 Huskvarna, Švedska,
tel.: +46-36-146500, izjavljamo na lastno odgovornost,
da je izdelek:

Opis	Rahjalnik za odstranjevanje mahu
Znamka	Husqvarna
Vrsta/model	DT600
Identifikacija	Serijske številke od letnika 2022 dalje

v celoti skladen z naslednjimi direktivami in uredbami
EU:

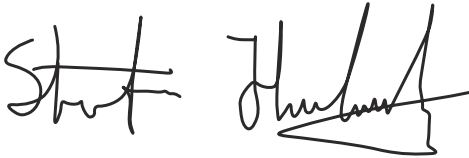
Direktiva/uredba	Opis
2006/42/ES	"o strojih"
2000/14/EC	"o emisijah hrupa v okolico"
2011/65/EU	"o omejevanju uporabe nekaterih nevarnih snovi v električni in elektronski opremi"

in so pri tem v veljavi naslednji standardi in/ali tehnične
specifikacije: EN ISO 12100:2010, EN IEC 63000:2018

RISE SMP Svenska Maskinprovning AB, Box 7035,
SE-750 07 Uppsala, Sweden je v imenu družbe
Husqvarna AB opravil prostovoljen tipski pregled.

Številka potrdila: SEC/15/2411

Huskvarna , 2022-03-14



Stefan Holmberg, direktor oddelka za raziskave in
razvoj, tehnološko upravljanje, Husqvarna AB

Odgovorni za tehnično dokumentacijo



Innehåll

Introduktion.....	212	Underhåll.....	218
Säkerhet.....	213	Transport, förvaring och kassering.....	218
Montering.....	217	Tekniska data.....	219
Drift.....	218	Försäkran om överensstämmelse.....	221

Introduktion

Produktbeskrivning

Vi arbetar ständigt med att vidareutveckla våra produkter och förbehåller oss därför rätten till ändringar beträffande bl.a. produkternas form och utseende utan föregående meddelande.

Notera: Den här bruksanvisningen omfattar både bensin- och batteridrivna kraftaggregat.

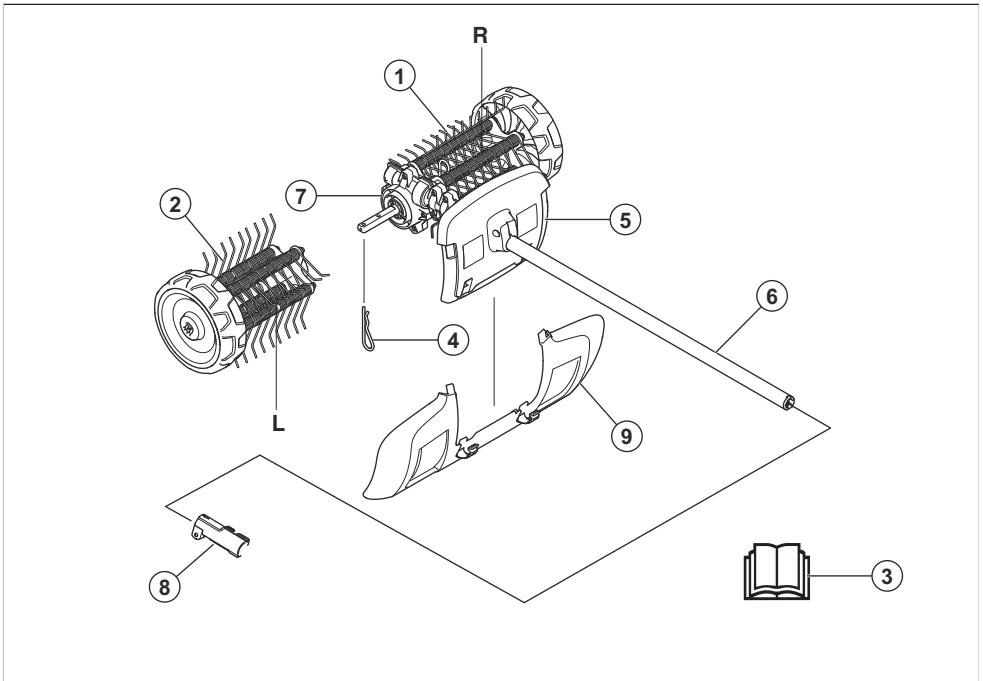
Avsedd användning



VARNING: Det här tillbehöret får endast användas tillsammans med den produkt det är avsett för. Mer information finns i avsnittet om tillbehör i användarhandboken för produkten.

Tillbehöret är endast avsett för vertikalskäring av mossa på gräsmattor.

Tillbehörsöversikt



1. Höger mossrivare
2. Vänster mossrivare
3. Bruksanvisning
4. Saxsprint
5. Skydd (skydd på riggröret)
6. Riggrör
7. Växelhus
8. Riggrörskoppling (medföljer produkten)
9. Stänkskydd

Symboler på utrustningen och på kraftaggregatet



Vårdslös eller felaktig användning av tillbehöret kan resultera i allvariga eller livshotande skador på användaren eller andra.



Läs igenom bruksanvisningen noggrant och se till att du förstår instruktionerna innan du använder tillbehöret.



Använd godkända hörselskydd. Använd godkänt ögonskydd. Använd en andningsmask när det finns risk för damm.



Utrustningen överensstämmer med gällande EG-direktiv.



Produkten överensstämmer med gällande brittiska direktiv.



Roterande delar. Akta händer och fötter. Pilen anger rotationsriktningen.



Använd alltid godkända skyddshandskar.



Använd halkfria och stadiga stövlar.



Varning för utslungade föremål och rikoschetter.



Användaren måste se till att inga människor eller djur kommer närmare än 15 m. När flera användare arbetar på samma plats måste ett säkerhetsavstånd på minst 15 m hållas. Utrustningen kan våldsamt kasta iväg föremål som kan studsas tillbaka. Detta kan leda till allvariga ögonskador om inte rekommenderad skyddsutrustning används.



Håll ett avstånd på minst 15 m till personer och djur när du använder produkten.



Håll alla delar av din kropp borta från de heta ytorna.



Miljömärkning för bulleremission enligt direktiv och bestämmelser för EU och Storbritannien samt New South Wales-lagen "Protection of the Environment Operations (Noise Control) Regulation 2017". Produktens garanterade ljudeffektnivå anges i *Tekniska data på sida 219* och på etiketten.

Notera: Övriga symboler/dekaler på tillbehöret avser specifika krav för certifieringar på vissa marknader.

Säkerhet

Säkerhetsdefinitioner

Varningar, försiktighetsåtgärder och anmärkningar används för att betona speciellt viktiga delar i bruksanvisningen.



WARNING: Används om det finns risk för skador eller dödsfall för föraren eller kringstående om anvisningarna i bruksanvisningen inte följs.



OBSERVERA: Används om det finns risk för skada på produkten och/eller tillbehör, annat material eller det angränsande området om anvisningarna i bruksanvisningen inte följs.

Notera: Används för att ge mer information som är nödvändig i en viss situation.

Allmänna säkerhetsinstruktioner



VARNING: Läs varningsinstruktionerna nedan innan du använder tillbehöret.

- Läs igenom bruksanvisningen noggrant och se till att du förstår instruktionerna innan du använder tillbehöret.
- De här instruktionerna kompletterar de instruktioner som medföljde produkten. Övriga instruktioner finns i driftinstruktionerna för produkten.
- Tillbehörets ursprungliga utformning får inte under några omständigheter ändras utan tillstånd från tillverkaren. Använd inte ett tillbehör som verkar ha blivit ändrat av någon annan och använd alltid originaltillbehör. Icke auktoriserade ändringar och/eller tillbehör kan medföra allvarliga personskador eller dödsfall för föraren eller andra.

Läs alla instruktioner



VARNING: När eldrivna trädgårdsmaskiner används ska säkerhetsreglerna alltid följas för att minska risken för eld, elektriska stötar och personskada. Detta innefattar följande:

Allmänna säkerhetsinstruktioner för mossrivaren

- Låt aldrig barn, personer med nedsatt fysisk, sensorisk eller mental förmåga eller brist på erfarenhet och kunskap eller personer som inte känner till de här instruktionerna använda produkten. Lokala föreskrifter kan ange en åldersgräns för användning.
- Använd aldrig produkten om personer, speciellt barn, eller husdjur finns i närheten.
- Sträck dig inte för långt och se till att hålla balansen. För att se till att inte halka i slutningar ska du alltid gå, inte springa.
- Rör inte rörliga farliga delar innan du har kopplat bort maskinen från elnätet och de rörliga farliga delarna har stannat.
- Använd alltid kraftiga skor och långbyxor när du använder maskinen.
- Ta ut batteriet ur produkten när den är obevakad, innan du åtgärdar något som har fastnat och innan du rengör eller utför arbete på den.
- Ta ut batteriet ur produkten innan du kontrollerar om den är skadad, t.ex. när du har kört på ett främmande föremål eller om den börjar vibrera onormalt.
- Anslut inte skadade sladdar till strömförsörjningen och vidrör inte skadade sladdar innan du har kopplat bort dem från strömförsörjningen. Skadade sladdar som kommer i kontakt med strömförande delar kan leda till personskador och dödsfall.

- Använd aldrig produkten med trasiga skydd, utan säkerhetsanordningar eller om sladden är skadad eller sliten.
- Håll förlängningssladdar borta från rörliga farliga delar för att undvika att de skadas och kommer i kontakt med strömförande delar.
- Anslut endast produkten till strömförsörjningskretsar som skyddas av jordfelsbrytare med utlösningsström på högst 30 mA.
- Undvik att använda produkten i dåligt väder, i synnerhet vid risk för blixtnedslag.

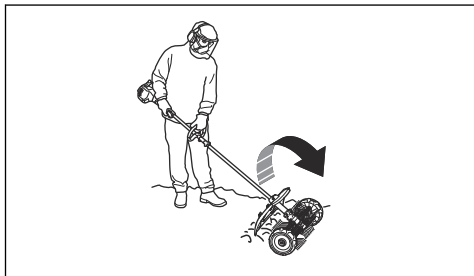
Säkerhetsinstruktioner för drift



VARNING: Läs varningsinstruktionerna nedan innan du använder produkten.

- Stoppkontakten återgår automatiskt till startläge. Se till att förhindra att produkten startas av misstag när du monterar, kontrollerar eller underhåller den. Om du har en bensindriven produkt drar du bort tändhatten från tändstiftet. Om du har en batteridrivna produkt tar du bort batteriet.
- Varning för utslungade föremål. Bär alltid skyddsglasögon. Luta dig aldrig över mossrivaren. Stenar, skräp m.m. kan kastas upp i ögonen och vålla blindhet eller allvarliga skador.
- Under samt en stund efter användning kan växel vara varm. Det finns risk för brännskada vid kontakt.
- Även om borstvalsarna inte har samma kraft som t ex en gräsklipparkniv bör du undvika att arbeta med material som kan skada person eller egendom när det slungas ut.
- Använd aldrig maskinen utan möjlighet att kunna påkalla hjälp i händelse av olycka.
- Använd endast maskinen för det den är avsedd för.
- Använd inte maskinen om du är trött, om du har druckit alkohol eller om du tar mediciner som kan påverka din syn, ditt omdöme eller din kroppskontroll.
- Använd aldrig maskinen vid extrema klimatförhållanden såsom sträng kyla eller mycket varmt och/eller fuktigt klimat.
- Använd aldrig en maskin som är defekt. Följ säkerhets-, underhålls- och serviceinstruktioner i denna bruksanvisning. Vissa underhålls- och serviceåtgärder ska utföras av utbildade och kvalificerade specialister. Se anvisningar under rubriken Underhåll.
- Tillåt aldrig barn att använda maskinen.
- Låt aldrig någon annan använda maskinen utan att försäkra dig om att de har läst igenom och förstått innehållet i bruksanvisningen.
- Håll obehöriga på avstånd. Barn, djur, åskådare och medhjälpare ska befinna sig utanför säkerhetszonen på 15 meter när du arbetar. Stäng omedelbart av maskinen om någon närmar sig arbetsplatsen.

- När du råkar ut för en situation som gör dig osäker angående fortsatt användning ska du rådfråga en expert. Kontakta din återförsäljare eller serviceverkstad.
- Undvik all användning du anser dig otillräckligt kvalificerad för.
- Iakttäck omgivningen och var säker på att det inte finns risk att människor eller djur kan komma i kontakt med eller påverka din kontroll av skärutrustning.
- Var alltid uppmärksam på varningssignaler eller tillrop när hörselskydd används. Ta alltid av hörselskydden så snart motorn stannar.
- Undvik användning vid ogynnsamma väderleksförhållanden. Exempelvis tät dimma, kraftigt regn, hård vind, stark kyla, osv. Att arbeta i dåligt väder är tröttsamt och kan skapa farliga omständigheter, exempelvis halt underlag.
- Se till att du kan gå och stå säkert. Titta efter eventuella hinder vid en oväntad förflyttning (rötter, stenar, grenar, gropar, diken, osv.). Iakttäck stor försiktighet vid arbete i sluttande terräng.



- Vid förflyttning ska motorn stängas av.
- Ställ aldrig ned maskinen med motorn igång utan att du har uppsikt över den.
- Håll alltid maskinen med båda händerna. Håll maskinen vid sidan av kroppen.
- Se till att du inte kommer åt mossrivaren med händerna eller fötterna när motorn är i gång.
- När du har stängt av motorn håller du händer och fötter borta från mossrivaren tills den har stannat helt.
- Stoppa maskinen om den börjar vibrera kraftigt. Om du har en bensindriven produkt ska du koppla bort tändkabeln från tändstiftet. Om du har en batteridrivna produkt tar du bort batteriet från produkten. Se till att maskinen inte är skadad. Reparera eventuella skador.

Personlig skyddsutrustning

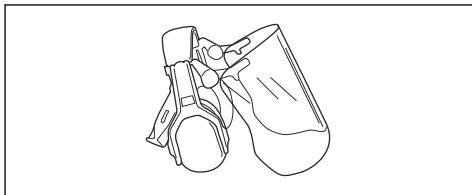


VARNING: Läs varningsinstruktionerna nedan innan du använder produkten.

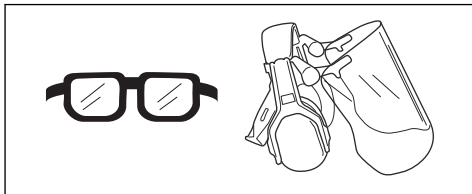
- Använd alltid godkänd personlig skyddsutrustning när du använder produkten. Personlig skyddsutrustning kan inte eliminera skaderisken helt,

men den reducerar effekten av en skada vid ett eventuellt olyckstillbud. Be din återförsäljare om hjälp med att välja rätt utrustning.

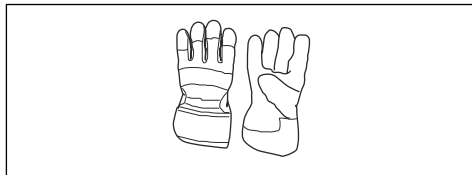
- Använd godkända hörselskydd med tillräcklig dämpningseffekt. Långvarig exponering för buller kan ge bestående hörselskador.



- Använd godkänt ögonskydd. Används visir måste även godkända skyddsglasögon användas. Godkända skyddsglasögon måste uppfylla standarden ANSI Z87.1 i USA eller SS-EN 166 i EU-länder.



- Använd handskar vid behov, till exempel när du ansluter, undersöker eller rengör skärutrustningen.

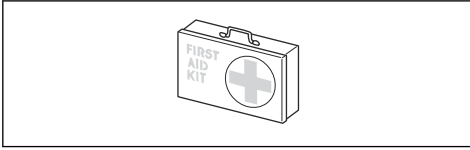


- Använd skyddsstövlar med stålhätta och halkfri sula.



- Ha på dig kläder i slitstarkt material. Bär alltid kraftiga långbyxor och överdel med långa ärmor. Använd inte löst sittande kläder som kan fastna i kvistar och grenar. Bär inte smycken, kortbyxor eller sandaler och gå inte barfota. Sätt upp håret ordentligt så att det inte hänger nedanför axlarna.

- Ha första förband nära till hands.



Säkerhetsanordningar på tillbehöret



VARNING: Läs varningsinstruktionerna nedan innan du använder tillbehöret.

I det här avsnittet beskrivs säkerhetsutrustningen för tillbehöret, vilken funktion det har samt hur du utför kontroll och underhåll för att säkerställa att det fungerar. Se anvisningarna under rubriken *Tillbehörsöversikt på sida 212* för information om var de här delarna är placerade på tillbehöret.

Tillbehörets livslängd kan förkortas och risken för olyckor kan öka om underhåll av tillbehöret inte utförs på rätt sätt och om service och reparationer inte utförs av specialutbildade tekniker. Kontakta din serviceverkstad om du behöver ytterligare information.



VARNING: Använd aldrig ett tillbehör med defekta säkerhetskomponenter. Tillbehörets säkerhetsutrustning ska kontrolleras och underhållas som beskrivs i detta avsnitt. Om tillbehöret inte klarar alla kontroller ska serviceverkstad uppsökas för reparation.



VARNING: All service och reparation av produkten kräver specialutbildning. Detta gäller särskilt produktens säkerhetsutrustning. Om produkten inte klarar någon av nedan listade kontroller ska du uppsöka en serviceverkstad. Ett köp av någon av våra produkter garanterar att du

kan få en fackmannamässig reparation och service utförd. Om återförsäljaren som säljer produkten inte är en serviceverkstad kan du fråga dem om närmaste serviceverkstad.

Säkerhetsinstruktioner för underhåll



VARNING: Läs varningsinstruktionerna nedan innan du utför underhåll.

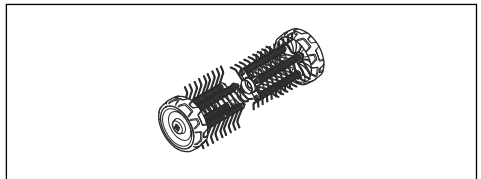


VARNING: Stanna alltid motorn innan du utför underhåll på tillbehöret. Var försiktig eftersom tillbehöret kan fortsätta röra sig när du har släppt gasreglaget/-trycket. Se till att tillbehöret har stannat. Om du har en bensindriven produkt ska du koppla bort tändkabeln från tändstiftet. Om du har en batteridriven produkt tar du bort batteriet.



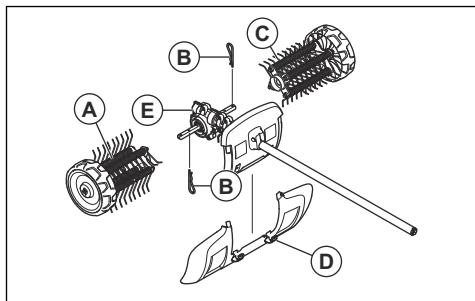
VARNING: Använd skyddshandskar.

- Inspektera hela produkten innan du påbörjar arbetet. Kontrollera att alla skydd och kåpor är hela och ordentligt fastsatta. Inspektera alla muttrar och skruvar.
- Om du har en bensindriven produkt kontrollerar du att det inte finns något bränsleläckage.
- Byt ut skadade delar.



Montering

Montera tillbehöret

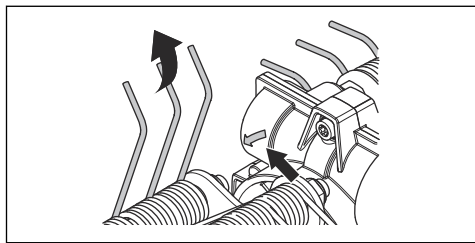


Pilen på växelhuset visar rotationsriktningen. Växelhuset ska placeras enligt bild.

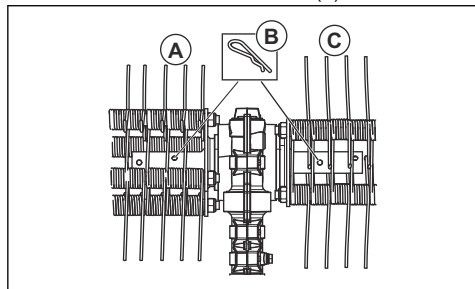
VIKTIGT:

Mossrivarvalsarna är märkta med pilar som anger rotationsriktningen. Se till att mossrivarvalsarna är rätt monterade.

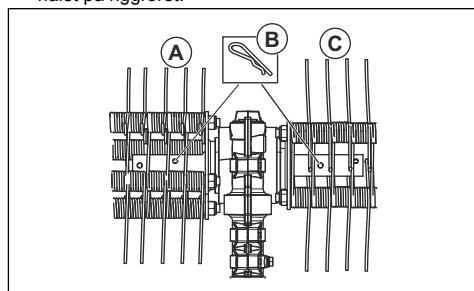
Mossrivarvalsarna ska monteras något förskjutna i förhållande till varandra. Mossrivarens fjädrar ska peka i samma riktning som rotationsriktningspilen på växeln visar.



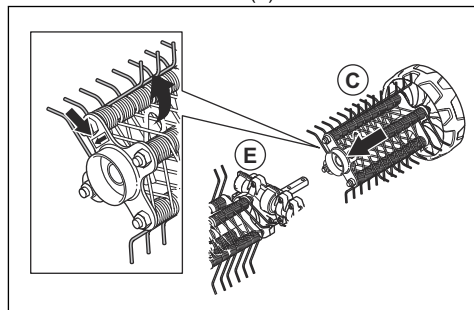
1. Tryck på den vänstra mossrivaren (A) på den vänstra drivaxeln från växelhuset (E).



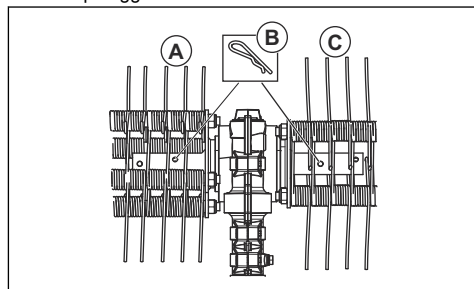
2. Fäst mossrivarvalsens med saxspinnen (B) i innersta hålet på riggröret.



3. Tryck på den högra mossrivaren (C) på den högra drivaxeln från växelhuset (E).



4. Fäst mossrivarvalsens med saxspinten (B) i innersta hålet på riggröret.



5. Montera stängskyddet med hjälp av snäppfästena (D).

Notera: Information om hur du monterar tillbehör på basprodukten finns i handboken för basprodukten.

Drift

Starta produkten med kall motor

Om du har en bensindriven produkt följer du dessa instruktioner för att starta produkten med kall motor.

1. Kör basprodukten varm och stäng sedan av produkten.
2. Montera tillbehöret enligt monteringsanvisningen.
3. När du justerar förgasaren måste du hålla mossrivaren mot marken och se till att det inte finns någon i närheten.
4. Se till att mossrivaren stannar på tomgång.
5. Se till att handtag och säkerhetsfunktioner är i ordning. Använd aldrig produkter som saknar någon del eller som har ändrats så att de inte längre uppfyller specifikationerna.

Använda tillbehöret

1. Kör mossrivaren på full (eller nästa full) gas med hjulen vilande på underlaget.

Notera: Det är både tröttsamt och onödigt att lyfta upp eller hålla mossrivaren ovanför underlaget när du arbetar.

2. Håll en liten arbetsvinkel mot underlaget. Med stor arbetsvinkel kommer mossrivaren att röra sig mot dig och vilket gör att du riskerar att tappa kontrollen över den.



Underhåll

Introduktion

Nedan följer några allmänna underhållsinstruktioner. Kontakta en serviceverkstad om du behöver ytterligare information.

Underhålla tillbehöret



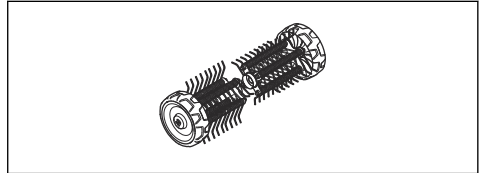
OBSERVERA: Arbetet med mossrivare sker ofta under dammiga förhållanden. Om du har en bensindriven produkt är det mycket viktigt att du underhåller luftfiltret regelbundet, oftast varje dag, och att du oljar in det för att det ska fungera på rätt sätt.

Se kraftaggregatets användarhandbok för underhållsinstruktioner.



VARNING: Efter arbete med produkten blir växelhuset varmt. Ta ej på växeln för att undvika brännskador.

1. Se till att mossrivaren inte roterar när du släpper gasreglaget/-trycket.



2. Rengör hjulen om de inte roterar fritt.



VARNING: Använd alltid skyddshandskar när du utför underhåll på tillbehöret.

Transport, förvaring och kassering

Transport och förvaring

Om du transporterar tillbehöret på ett annat fordon ska du alltid använda godkända fästaneländningar och se till att tillbehöret sitter fast ordentligt.

Se till att tillbehöret är väl rengjort och att fullständig service är utförd före långtidsförvaring.

Tekniska data

Tekniska data för bensindrivna produkter

Mossrivare	DT600
Bredd, mm	556
Vikt	
Vikt, kg	6,5
Bulleremissioner ¹²⁷	
Ljudeffektnivå, uppmätt dB(A)	105
Ljudeffektnivå, garanterad L _{WA} dB(A)	109
Ljudnivåer ¹²⁸	
Ekvivalent ljudtrycksnivå vid användarens öra, mätt enligt EN ISO 22868, dB(A)	95
Vibrationer ¹²⁹	
Vibrationsnivåer (a _{h_v,eq}) i handtag, uppmätt enligt EN ISO 22867, m/s ²	
Främre/bakre handtag	6,2/4,3

Tekniska data för batteridrivna produkter

325ILK + mossrivartillbehöret DT600	
Bredd, mm	556
Vikt	
Vikt, kg	2,3 + 6,5
Emission av buller ¹³⁰	
Ljudeffektnivå, uppmätt dB(A)	89
Ljudnivåer ¹³¹	
Ljudtrycksnivå vid användarens öra mätt enligt EN ISO 22868, dB(A):	77

¹²⁷ Mätt med Husqvarna-godkända tillbehör. Emission av buller till omgivningen uppmätt som ljudeffekt (L_{WA}) enligt EG-direktiv 2000/14/EG. Rapporterad ljudeffektnivå för maskinen har uppmätts med den originalskärrustning som ger den högsta nivån. Skillnaden mellan garanterad och uppmätt ljudeffekt är att den garanterade ljudeffekten också inkluderar spridning i mätresultatet och variationen mellan olika maskiner av samma modell enligt direktiv 2000/14/EG.

¹²⁸ Mätt med Husqvarna-godkända tillbehör. Rapporterade data för ekvivalent ljudtrycksnivå för maskinen har en typisk statistisk spridning (standardavvikelse) på 1 dB (A).

¹²⁹ Mätt med Husqvarna-godkända tillbehör. Rapporterade data för ekvivalent vibrationsnivå har en typisk statistisk spridning (standardavvikelse) på 1 m/s².

¹³⁰ Rapporterade data för ljudtrycksnivå för maskinen har en typisk statistisk spridning (standardavvikelse) på 3 dB(A) och har mätts med det originaltillbehör som ger den högsta nivån.

¹³¹ Rapporterade data för ljudtrycksnivå för maskinen har en typisk statistisk spridning (standardavvikelse) på 3 dB(A) och har mätts med det originaltillbehör som ger den högsta nivån.

325iLK + mossrivartillbehöret DT600	
Vibrationer ¹³²	
Vibrationsnivåer i handtagen mätt enligt EN 62841-1, m/s ²	
Främre/bakre handtag	1,9/2,6
Utrustad med godkänt tillbehör (original), vänster/höger	1,9/2,6

¹³² Rapporterade data för vibrationsnivå har en typisk statistisk spridning (standardavvikelse) på 2 m/s². Vid jämförelse av vibrationsnivåer mellan batteri- och förbränningsdrivna produkter används vibrationsberäknaren på <https://www.husqvarna.com/uk/services-solutions/vibration-calculator/>.

Försäkran om överensstämmelse

EU-försäkran om överensstämmelse

Vi, **Husqvarna AB**, 561 82 Huskvarna, Sverige, tel:
+46-36-146500, försäkrar på eget ansvar att produkten:

Beskrivning	Mossrivare
Varumärke	Husqvarna
Typ/Modell	DT600
Identifiering	Serienummer daterade 2022 och framåt

uppfyller alla krav i följande EU-direktiv och förordningar:

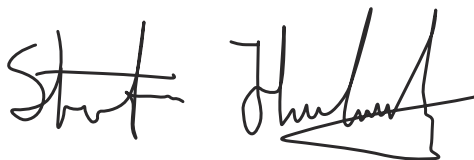
Direktiv/förordning	Beskrivning
2006/42/EG	"om maskiner"
2000/14/EC	"angående emission av buller till omgivningen"
2011/65/EU	"angående begränsning av användning av vissa farliga ämnen i elektrisk och elektronisk utrustning"

och att följande standarder och/eller tekniska
specifikationer tillämpas: EN ISO 12100:2010, EN IEC
63000:2018

RISE SMP Svenska Maskinprovning AB, Box 7035,
SE-750 07 Uppsala, Sweden har utfört frivillig typkontroll
på uppdrag av Husqvarna AB.

Certifikatnummer: SEC/15/2411

Huskvarna , 2022-03-14



Stefan Holmberg, R&D Director, Technology
Management, Husqvarna AB

Ansvarig för teknisk dokumentation



İçindekiler

Giriş.....	222	Bakım.....	228
Güvenlik.....	223	Taşıma, depolama ve atma.....	228
Montaj.....	227	Teknik veriler.....	229
Çalışma.....	228	Uyumluluk Bildirimi.....	231

Giriş

Ürün açıklaması

Sahip olduğumuz sürekli ürün geliştirme politikamız nedeniyle önceden bildirimde bulunmaksızın ürünlerin tasarımı ve görünümü ile ilgili değişiklikler yapma hakkını saklı tutarız.

Not: Bu kılavuzda, hem benzinle hem de aküyle çalışan güç üniteleri ele alınmaktadır.

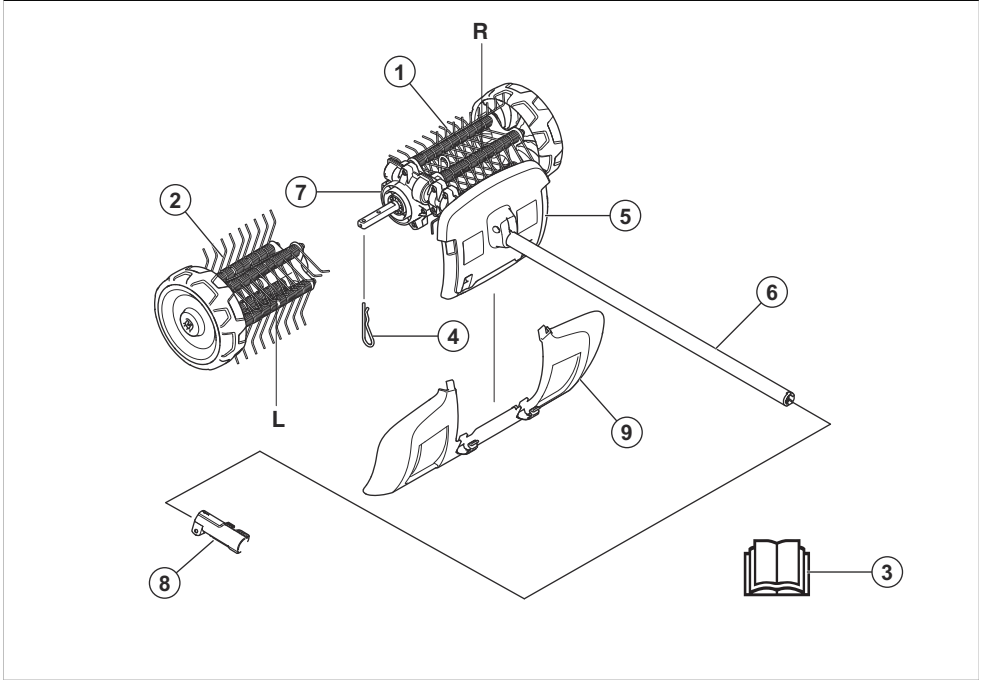
Kullanım amacı



UYARI: Bu ataşman yalnızca ilgili ürünle birlikte kullanılabilir, ürünün Kullanım Kılavuzu'ndaki aksesuar bölümüne bakın.

Ataşman yalnızca çimenlik alanlardaki yosunları ayrıştırmak için tasarlanmıştır.

Ataşmana genel bakış



1. Yosun ayrıştırıcı, sağ
2. Yosun ayrıştırıcı, sol
3. Kullanım kılavuzu
4. Kopilya
5. Siperlik (Mil koruması)
6. Mil
7. Dişli yuvası
8. Mil bağlantısı (Ürünle birlikte verilir)
9. Sıçrama siperliği

Ataşman ve güç ünitesindeki semboller



Bu ataşmanın dikkatsiz veya hatalı kullanımı operatörde ya da başka kişilerde ciddi veya ölümcül yaralanmalara neden olabilir.



Kullanım kılavuzunu dikkatle okuyun ve ataşmanı kullanmadan önce talimatları anladığınızdan emin olun.



Onaylı kulak koruma ekipmanı kullanın. Onaylı koruyucu gözlük kullanın. Toz riski varsa solunum maskesi kullanın.



Bu ataşman yürürlükteki AT direktiflerine uygundur.



Bu ürün yürürlükteki Birleşik Krallık yönetmeliklerine uygundur.



Döner parçalar. Ellerinizi ve ayaklarınızı uzak tutun. Ok, dönme yönünü gösterir.



Her zaman onaylı koruyucu eldivenler giyin.



Sağlam, kaymaz botlar giyin.



Fırlayan ve seken nesnelere dikkat edin.



Operatör hiçbir insan veya hayvanın 15 m'den fazla yaklaşmadığından emin olmalıdır. Aynı sahada birden fazla operatör çalışıyorsa en az 15 m güvenlik mesafesi uygulanmalıdır. Ataşman, geriye sıçrayabilecek nesnelere güçlü bir şekilde fırlatabilir. Bu, önerilen güvenlik donanımı kullanılmadıkça ciddi göz yaralanmalarına neden olabilir.

Ürünü kullanırken başka kişilerle ve hayvanlarla aranızda en az 15 m/50 ft mesafe bırakın.



Vücudunuzun tüm bölümlerini sıcak yüzeylerden uzak tutun.



AB ve BK direktifleri ile düzenlemeleri ve Yeni Güney Galler mevzuatı "Çevre Koruma Operasyonları (Gürültü Kontrolü) Yönetmeliği 2017" uyarınca çevreye yayılan gürültü emisyonu etiketi. Ürünün garantili ses gücü düzeyi *Teknik veriler sayfa: 229* ve etiketin üstünde belirtilmektedir.

Not: Ataşmanın üzerindeki diğer semboller/etiketler, belirli pazarların sertifikalandırma gereklilikleri ile ilgilidir.

Güvenlik

Güvenlik tanımları

Kullanım kılavuzundaki önemli kısımları vurgulamak için uyarılar ve notlar kullanılmıştır.



UYARI: Kılavuzdaki talimatlara uyulmadığı takdirde operatör veya çevredeki kişiler için ciddi yaralanma veya ölüm tehlikesi varsa kullanılır.



DİKKAT: Kılavuzdaki talimatlara uyulmadığı takdirde ürünün ve/veya ataşmanın, diğer malzemelerin ya da

çevrenin zarar görme riski olduğunda kullanılır.

Not: Belirli bir durumda bilgi verilmesi gerektiğinde kullanılır.

Genel güvenlik talimatları



UYARI: Ataşmanı kullanmadan önce aşağıdaki güvenlik talimatlarını okuyun.

- Lütfen kullanım kılavuzunu dikkatle okuyun ve ataşmanı kullanmadan önce talimatları anladığınızdan emin olun.
- Bu talimatlar ürüne birlikte verilen talimatları tamamlar. Diğer işlemler için lütfen ürün çalıştırma talimatlarına bakın.
- Üreticinin izni alınmadan ataşman tasarımı hiçbir şekilde değişiklik yapılamaz. Başkaları tarafından üzerinde değişiklik yapılmış gibi görünen bir ataşmanı kullanmayın ve her zaman orijinal aksesuarları kullanın. Onaylanmayan değişiklikler ve/veya aksesuarlar operatörler veya diğerleri için ciddi kişisel yaralanmalara veya ölüme yol açabilir.

- Ürünü yalnızca en fazla 30 mA kesme akımına sahip bir artık akım cihazı (RCD) tarafından korunan bir güç kaynağı devresine bağlayın.
- Ürünü kötü hava koşullarında; özellikle de yıldırım düşmesi riski olduğu durumlarda kullanmayın.

Kullanım için güvenlik talimatları



UYARI: Ürünü kullanmadan önce aşağıdaki uyarı talimatlarını okuyun.

Tüm talimatları okuyun

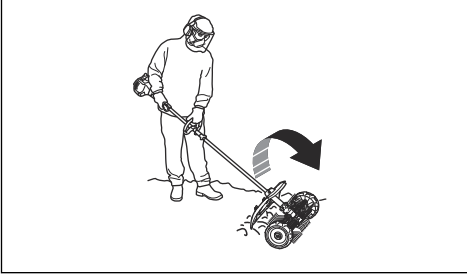


UYARI: Yangın, elektrik şoku ve/veya kişisel yaralanma riskini azaltmak için elektrikli bahçe cihazlarını kullanırken aşağıdakiler dahil olmak üzere temel güvenlik önlemlerine daima uyulmalıdır:

Ayrıntı güvenlik talimatları

- Çocukların, fiziksel, duyuşsal veya zihinsel becerileri kısıtlı kişilerin, yeterli deneyim ve birikime sahip olmayan ya da bu talimatlar hakkında bilgisi olmayan kişilerin ürünü kullanmasına kesinlikle izin vermeyin. Yerel yönetmeliklerde operatör yaşı konusunda bir sınırlama olabilir.
- Başta çocuklar olmak üzere yakınızdaki başka kişiler veya hayvanlar varken ürünü asla çalıştırmayın.
- Erişim alanınızın dışındaki yerlere uzanmaya çalışmayın ve her zaman dengelenizi koruyun. Eğimli alanlarda daima yere sağlam bastığınızdan emin olun. Yürüyün, asla koşmayın.
- Makinenin şebeke bağlantısı kesilmeden ve hareketli tehlikeli parçalar tamamen durmadan tehlikeli ve hareketli parçalara dokunmayın.
- Makineyi kullanırken daima uygun ayakkabı ve uzun pantolon giyin.
- Ürün gözetimsiz bırakıldığında, tıkanıklığı gidermeden ve ürünü temizlemeden önce ya da ürünü üzerinde çalışmadan önce aküyü üründen çıkarın.
- Örneğin yabancı bir cisim çarpıldığında veya ürün anormal şekilde titremeye başladığında hasar kontrolü yapmadan önce aküyü üründen çıkarın.
- Hasarlı bir kabloyu güç kaynağına bağlamayın ve güç kaynağı ile bağlantısı kesilmeden hasarlı bir kabloya dokunmayın. Hasarlı bir kablo, elektrikli parçalarla temasa ve yaralanma ya da ölüme neden olabilir.
- Ürünü; siperlikleri/koruyucuları kusurlu haldeyken, güvenlik cihazları olmadan veya kabloları hasarlı ya da aşınmış şekildeyken asla çalıştırmayın.
- Kabloların elektrikli parçalarla temas etmesini yol açabilecek şekilde hasar görmesini önlemek için uzatma kablolarını hareketli ve tehlikeli parçalardan uzak tutun.
- Durdurma anahtarı otomatik olarak çalıştırma konumuna döner. Montaj, kontrol ve/veya bakım sırasında istenmeyen çalışmayı önlediğinizden emin olun. Benzinle çalışan bir ürününüz varsa buji kapağının buji ile bağlantısını kesin. Aküyle çalışan bir ürününüz varsa aküyü çıkarın.
- Savrulma nesnelere dikkat edin. Daima koruyucu gözlük takın. Asla yosun ayırıştırıcının üzerine eğilmeyin. Taşlar, çöpler vs. gözlelere fırlatabilir ve körlüğe veya ciddi yaralanmalara neden olabilir.
- Kullanım sırasında dişli ısınabilir ve kullanımdan sonra bir süre sıcak kalabilir. Dokunursanız yanabilirsiniz.
- Tambur fırçalar çim biçme makineleriyle aynı güçte olmasa da, örneğin, fırladığında yaralanmaya veya mal zararına neden olabilecek maddelerle çalışmamalısınız.
- Bir kaza durumunda yardım isteyemeyecesiniz makineyi kullanmayın.
- Makineyi yalnızca hedeflenen amaç için kullanın.
- Yorgunsanız, alkol aldysanız veya görüşünüzü, karar verme yetinizi ya da koordinasyonunuzu etkileyebilecek ilaç alıyorsanız makineyi asla kullanmayın.
- Makineyi aşırı soğuk, aşırı sıcak ve/veya nemli iklimler gibi ağır hava koşullarında asla kullanmayın.
- Hiçbir zaman arızalı bir makineyi kullanmayın. Bu kılavuzda belirtilen güvenlik kontrolleri ile bakım ve servis talimatlarına uyun. Bazı bakım ve servis işlerinin sadece yetkili ve kalifiye teknisyenler tarafından yapılması gerekir. Bakım başlığı altındaki talimatlara bakın.
- Çocukların makineyi kullanmasına asla izin vermeyin.
- Kullanım kılavuzunun içindeki bilgileri tam olarak okuyup anladığınızdan emin olmadığınız kişilerin makineyi kullanmasına kesinlikle izin vermeyin.
- Yetkisiz kişileri yaklaştırmayın. Çalışırken çocuklar, hayvanlar, izleyenler ve yardımcı olan kişiler 15 m'lik güvenlik bölgesinin dışında tutulmalıdır. Herhangi bir kimse yaklaşırsa makineyi derhal durdurun.
- Nasıl devam etmeniz gerektiği konusunda emin olmadığınız bir durumla karşılaşırsanız bir uzmana danışmalısınız. Bayiniz veya servis atölyenizle iletişime geçin.
- Yapabileceğinizin ötesinde olduğunu düşündüğünüz hiçbir çalışmayı yapmayın.

- Çevrenize dikkat edin ve insanların veya hayvanların ürünle temas etme ya da ürün üzerindeki kontrolünüzü etkileme riski olmadığından emin olun.
- Kulak koruma aygıtı taktığınızda, uyarı sinyalleri veya bağırma seslerini dinleyiniz. Motor durur durmaz kulak koruma ekipmanınızı hemen çıkarın.
- Yoğun sis, sağanak yağış, şiddetli rüzgar, aşırı soğuk gibi kötü hava koşullarında makineyi kullanmayın. Kötü hava koşullarında çalışmak yorucudur ve beraberinde buzlu zemin gibi ilave riskler getirir.
- Güvenli bir şekilde hareket edebildiğinizden ve ayakta durabildiğinizden emin olun. Ani hareket etmeniz gerekebileceğini göz önünde bulundurarak çevrenizdeki olası engelleri (kökler, taşlar, dallar, hendekler vs.) kontrol edin. Meyilli yüzeyde çalışırken daha dikkatli olun.



- Hareket etmeden önce motorun kapatılması gerekir.
- Görüş alanınızda değilken makineyi motor çalışır halde asla yere koymayın.
- Makineyi tutmak için mutlaka iki elinizi birlikte kullanın. Makineyi vücudunuzun yan tarafında tutun.
- Makine çalışır durumdayken ellerinizi ve ayaklarınızı yosun ayırıcıya yaklaştırmayın.
- Motor kapatıldığında tamamen durana kadar ellerinizi ve ayaklarınızı yosun ayırıcıdan uzak tutun.
- Şiddetli titreşim olursa makineyi durdurun. Benzinle çalışan bir ürününüz varsa HT kablosunu bujiden çıkarın. Aküyle çalışan bir ürününüz varsa aküyü üründen çıkarın. Makinenin zarar görmemiş olduğundan emin olun. Hasarları tamir edin.

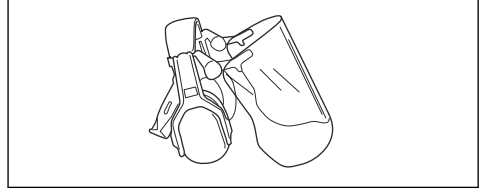
Kişisel koruyucu ekipman



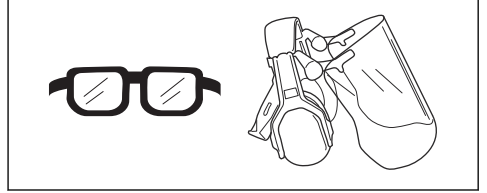
UYARI: Ürünü kullanmadan önce aşağıdaki uyarı talimatlarını okuyun.

- Ürünü kullanırken daima onaylı kişisel koruyucu ekipmanları kullanın. Kişisel koruyucu ekipmanlar yaralanma riskini tamamen engelleyemez ancak bir kaza durumunda yaralanmanın derecesini azaltır. Bayinizin doğru ekipmanı seçmenize yardımcı olmasını sağlayın.
- Yeterli gürültü azaltması sağlayan onaylı kulak koruma ekipmanını kullanın. Uzun süre gürültüye

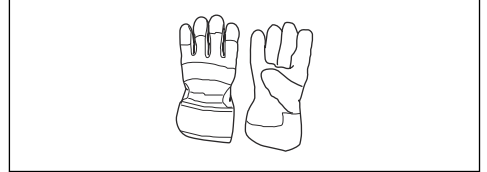
maruz kalınması sürekli işitme bozukluğuna yol açabilir.



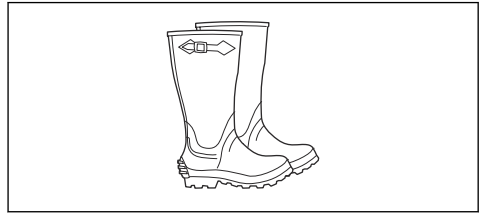
- Onaylı koruyucu gözlük kullanın. Vizör kullanıyorsanız onaylı koruma gözlüğü de kullanmanız gerekir. Onaylı koruma gözlükleri ABD'de ANSI Z87.1, AB ülkelerinde EN 166 standardıyla uyumlu olmalıdır.



- Kesme donanımını takma, kontrol etme veya temizleme gibi eldiven gerektiren durumlarda eldiven kullanın.



- Çelik burunlu ve kaymaz tabanlı koruyucu botlar kullanın.



- Sağlam kumaştan yapılmış kıyafetler kullanın. Daima kalın ve uzun pantolonlarla uzun kollu kıyafetler kullanın. Çalılara ve dallara takılabilecek bol kıyafetler kullanmayın. Takı takmayın; şort, sandalet giymeyin veya çıplak ayakla dolaşmayın. Saçınızı güvenli bir şekilde omuz hizasının üzerinde toplayın.

- İlk yardım ekipmanını yakında bulundurun.



Ataşman üzerindeki güvenlik araçları



UYARI: Ataşmanı kullanmadan önce aşağıdaki uyarı talimatlarını okuyun.

Bu bölümde ataşmanın güvenlik özellikleri, amacı ve ataşmanın düzgün çalışması için bakım ve kontrollerin nasıl yürütülmesi gerektiği açıklanmaktadır. Bu parçaların ataşmanızın neresinde bulunduğunu görmek için *Ataşmana genel bakış sayfa: 222* başlığı altındaki talimatları okuyun.

Ataşman bakımı doğru şekilde yapılmazsa ve servis ve/veya onarım işlemleri profesyonel olarak gerçekleştirilmezse ataşmanın kullanım ömrü azalabilir ve kaza riski artabilir. Daha fazla bilgiye ihtiyacınız olursa lütfen en yakın servis bayisiyle iletişime geçin.



UYARI: Güvenlik bileşenleri kusurlu olan bir ataşmanı asla kullanmayın. Ataşmanın güvenlik ekipmanı bu bölümde açıklandığı gibi kontrol edilmeli ve bakıma alınmalıdır. Ataşmanızın bu kontrollerden herhangi birini geçemezse onarım için servis nokتانızla iletişime geçin.



UYARI: Ürünün servis ve onarım işlemlerinin tümü özel eğitim gerektirir. Bu durum özellikle ürünün güvenlik donanımı için geçerlidir. Ürününüz aşağıda açıklanan kontrollerin herhangi birinden başarıyla geçemezse servis nokتانızla iletişime geçmeniz gerekir. Herhangi bir ürünümüzü satın aldığınızda profesyonel tamir ve

servis hizmetlerinin mevcut bulunduğunu garanti etmekteyiz. Ürününüzü satan bayi bir servis bayisi değilse size en yakın servis nokتانının adresini sorun.

Bakım için güvenlik talimatları



UYARI: Bakım yapmadan önce aşağıdaki uyarı talimatlarını okuyun.

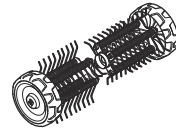


UYARI: Ataşman üzerinde bakım yapmadan önce daima ürünü durdurun. Ataşman, gaz/güç tetiği serbest bırakıldıktan sonra bile hareket etmeye devam edebileceğinden dikkatli olun. Ataşmanın tamamen durdurulduğundan emin olun. Benzinle çalışan bir ürününüz varsa HT kablosunu bujiden çıkarın. Aküyle çalışan bir ürününüz varsa aküyü çıkarın.



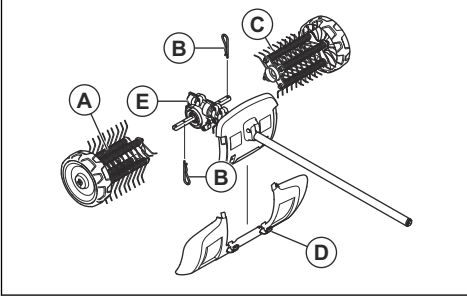
UYARI: Daima koruyucu eldivenler kullanın.

- Başlamadan önce ürünü tamamen kontrol edin. Siperliklerin ve kapakların tamamının yerinde olup olmadığını ve güvenli şekilde sabitlenip sabitlenmediğini kontrol edin. Tüm somunları ve vidaları kontrol edin.
- Benzinle çalışan bir ürününüz varsa yakıt sızıntısı olup olmadığını kontrol edin.
- Hasarlı parçaları değiştirin.



Montaj

Ataşmanın monte edilmesi

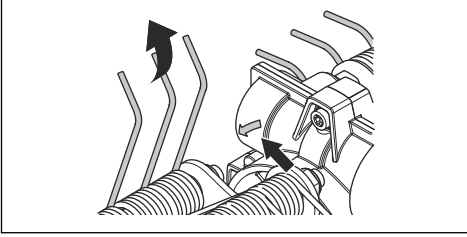


Dişli kovanının üzerindeki ok, dönme yönünü gösterir. Dişli kovani gösterilen şekilde yerleştirilmelidir.

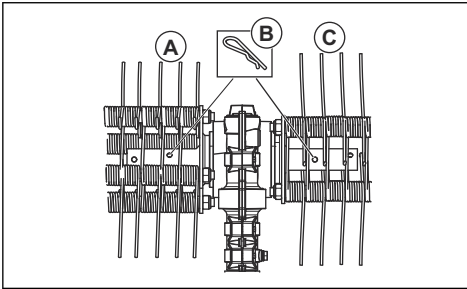
ÖNEMLİ:

Yosun ayırıcı silindrileri dönme yönünü gösteren oklarla işaretlenmiştir. Yosun ayırıcı silindrilerinin düzgün şekilde takıldığından emin olun.

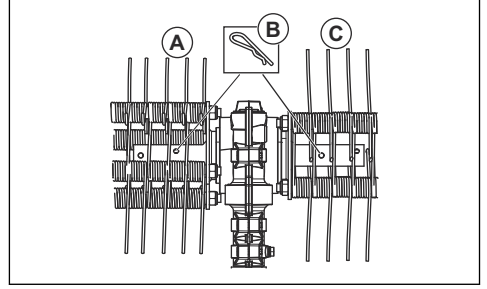
Yosun ayırıcı silindrileri, birbirlerine göre yerleri hafifçe farklı olacak şekilde takılmalıdır. Yosun ayırıcı yayları, dişli kovani üzerinde gösterilen dönme yönü okuyla aynı yöne bakmalıdır.



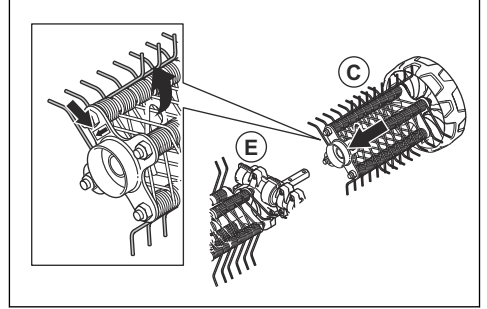
1. Sol yosun ayırıcıyı (A), dişli kovanına (E) göre sol hareket miline doğru bastırın.



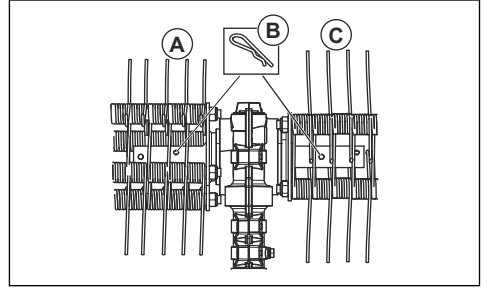
2. Yosun ayırıcıyı çatal pimle (B) milin iç deliğine sabitleyin.



3. Sağ yosun ayırıcıyı (C), dişli kovanına (E) göre sağ hareket miline doğru bastırın.



4. Yosun ayırıcıyı çatal pimle (B) milin iç deliğine sabitleyin.



5. Sıçrama korumasını çitçitlerle (D) monte edin.

Not: Temel üründeki aksesuarların montajı için temel ürünün kılavuzuna bakın.

Çalışma

Ürünü motor soğukken çalıştırma

Benzinle çalışan bir ürününüz varsa ürünü motor soğukken çalıştırmak için bu talimatlara uyun.

1. Temel ürün ısıtma işlemini gerçekleştirin, ardından ürünü kapatın.
2. Ataşmanı montaj talimatlarına uygun şekilde monte edin.
3. Karbüratörü ayarlarken çim havalandırıcının yere doğru tutulduğundan ve etrafta kimsenin olmadığından emin olun.
4. Yosun ayrıştırıcıyı boşa çalışır durumda tutun.
5. Tutma yerinin ve güvenlik öğelerinin iyi çalışır durumda olduklarından emin olun. Asla bir parçası eksik veya teknik özelliklerinin dışına çıkacak şekilde değiştirilmiş bir ürün kullanmayın.

Not: Çalışırken yosun ayrıştırıcıyı kaldırmak veya zeminin yukarısında tutmak, hem yorucu hem de gereksizdir.

2. Yüzeyle yapılan çalışma açısını dar tutun. Çalışma açısı çok büyük olursa yosun ayrıştırıcı size doğru hareket edebilir ve ürünün kontrolünü kaybedebilirsiniz.



Ataşmanı kullanma

1. Tekerlekler yüzeyle dayanmış durumdayken yosun ayrıştırıcıyı tam gaz (veya tam gaza yakın) çalıştırın.

Bakım

Giriş

Aşağıda bazı genel bakım talimatlarını bulabilirsiniz. Daha fazla bilgiye ihtiyaç duyarsanız lütfen servisle irtibata geçin.

Ataşmanda bakım yapma



DİKKAT: Yosun ayrıştırıcı genellikle tozlu ortamlarda kullanılır. Benzinle çalışan bir ürününüz varsa iyi çalışması için hava filtresinin düzenli olarak, genellikle her gün incelenmesi ve yağlanması çok önemlidir.

Bakım talimatları için güç ünitesinin kullanım kılavuzuna bakın.

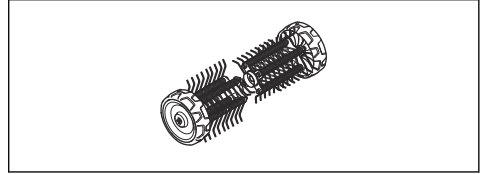


UYARI: Ataşman üzerinde bakım yaparken her zaman koruyucu eldivenler takın.



UYARI: Ürün kullanılırken dişli kovana ısınır. Kendinizi yakmaktan sakınmak için dişli kovana dokunmayın.

1. Gaz/güç tetiği serbest bırakıldığında yosun ayrıştırıcının hareket etmediğinden emin olun.



2. Serbestçe dönmüyorsa tekerlekleri temizleyin.

Taşıma, depolama ve atma

Taşıma ve depolama

Ataşmanı başka bir araç üzerinde taşıyorsanız daima onaylı sabitleme cihazlarını kullanın ve ataşmanın güvenli şekilde tutulduğundan emin olun.

Uzun süreli depolama öncesinde ataşmanın temizlendiğinden ve tam bir servis işleminin gerçekleştirildiğinden emin olun.

Teknik veriler

Benzinle çalışan ürünler için teknik veriler

Yosun ayrıştırıcı	DT600
Genişlik, mm	556
Ağırlık	
Ağırlık, kg	6,5
Gürültü yayma ¹³³	
Ses gücü seviyesi, ölçülmüş dB (A)	105
Ses gücü seviyesi, L _{WA} dB (A) garantili	109
Ses seviyeleri ¹³⁴	
EN ISO 22868 uyarınca ölçülen operatörün kulağında oluşan eşdeğer ses basınç düzeyi, dB(A):	95
Titreşimler ¹³⁵	
EN ISO 22867 uyarınca ölçülen tutma yerlerindeki eşdeğer titreşim düzeyleri (a _{hν,eq}), m/sn ²	
Ön/arka tutma yerleri	6,2/4,3

Aküyle çalışan ürünler için teknik veriler

325ILK + Çim havalandırıcı ataşmanı DT600	
Genişlik, mm	556
Ağırlık	
Ağırlık, kg	2,3+6,5
Gürültü yayma ¹³⁶	
Ses gücü seviyesi, ölçülen dB (A)	89
Ses seviyeleri ¹³⁷	

¹³³ Husqvarna onaylı aksesuarlarla birlikte ölçülmüştür. Ortamda ölçülen gürültü emisyonu, 2000/14/AT sayılı AT direktifi uyarınca ses gücü (L_{WA}) olarak ölçülmüştür. Makine için bildirilen ses seviyesi, en yüksek seviyeyi veren orijinal kesme donanımıyla ölçülmüştür. Garanti edilen ve ölçülen ses düzeyi arasındaki fark, garantili ses gücünün 2000/14/AT Sayılı Direktif doğrultusunda ölçüm sonucundaki dağılımı ve aynı modelden farklı makineler arasındaki değişimleri de içermesidir.

¹³⁴ Husqvarna onaylı aksesuarlarla birlikte ölçülmüştür. Makinenin eşdeğer ses basıncı düzeyi için bildirilen verilerdeki tipik istatistik dağılımı (standart sapma) 1 dB (A) şeklindedir.

¹³⁵ Husqvarna onaylı aksesuarlarla birlikte ölçülmüştür. Eş değer titreşim seviyesi için bildirilen verilerin tipik istatistik dağılımı (standart sapması) 1 m/sn² şeklindedir.

¹³⁶ Makinenin ses gücü seviyesi için bildirilen verilerdeki tipik istatistik dağılımı (standart sapma) 3 dB (A) şeklindedir ve en yüksek seviyeyi veren orijinal ataşmanla ölçülmüştür.

¹³⁷ Makinenin ses basıncı seviyesi için bildirilen verilerdeki tipik istatistik dağılımı (standart sapma) 3 dB (A) şeklindedir ve en yüksek seviyeyi veren orijinal ataşmanla ölçülmüştür.

325iLK + Çim havalandırıcı ataşmanı DT600	
EN ISO 22868 uyarınca ölçülen operatörün kulağında oluşan ses basıncı seviyesi, dB(A):	77
Titreşimler ¹³⁸	
EN 62841-1 uyarınca ölçülen tutma yerlerindeki titreşim düzeyleri, m/sn ²	
Ön/arka tutma yerleri	1,9/2,6
Onaylı aksesuarla (orijinal) donatılmış, sol/sağ	1,9/2,6

¹³⁸ Titreşim düzeyi için bildirilen verilerin tipik istatistik dağılımı (standart sapması) 2 m/sn² şeklindedir. Akü ve yakıtla çalışan ürünlerin titreşim seviyelerini karşılaştırmak için titreşim hesaplayıcıyı kullanın: <https://www.husqvarna.com/tr/servisler-ve-cozumler/titresim-hesaplayici/>.

Uyumluluk Bildirimi

AB Uyumluluk Bildirimi

Biz, **Husqvarna AB**, SE-561 82 Huskvarna, İsveç, tel: +46-36-146500 olarak tek sorumlu vasfıyla ürüne ilişkin aşağıdaki beyanlarda bulunmaktayız:

Açıklama	Yosun kazıyıcı
Marka	Husqvarna
Tip/Model	DT600
Kimlik	2022 ve sonrası tarihli seri numaraları

aşağıdaki AB direktifleri ve yönetmelikleriyle tamamen uyumludur:

Direktif/Düzenleme	Açıklama
2006/42/AT	"makinelerle ilgili"
2000/14/AT	"çevredeki gürültü emisyonlarıyla ilgili"
2011/65/AB	"elektrikli ve elektronik ekipmanlarda belirli tehlikeli maddelerin kullanımının kısıtlanmasına ilişkin"

ve aşağıdaki standartlar ve/veya teknik özellikler uygulanmıştır: EN ISO 12100:2010, EN IEC 63000:2018

RISE SMP Svenska Maskinprovning AB, Box 7035, SE-750 07 Uppsala, Sweden, Husqvarna AB adına gönüllü olarak tip incelemesi gerçekleştirmiştir.

Sertifika numarası: SEC/15/2411

Huskvarna , 2022-03-14

Stefan Holmberg, AR-GE Direktörü, Teknoloji Yönetimi, Husqvarna AB

Teknik dokümantasyon sorumlusu

Türk ithalat şirketi daha fazla bilgi için temas edilecek:

Çullas Orman Bahçe ve Tarım Mak. San. Tic. A.Ş.

Suadiye Mh. Bağdat Cd. No:455/4

Kadıköy – 34740 İstanbul / Türkiye

Telefon: +90 216 519 88 82

Faks: +90 216 519 88 78

info@cullas.com.tr



Sommario

Introduzione.....	232	Manutenzione.....	238
Sicurezza.....	233	Trasporto, stoccaggio e smaltimento.....	239
Montaggio.....	237	Dati tecnici.....	239
Utilizzo.....	238	Dichiarazione di conformità.....	241

Introduzione

Descrizione del prodotto

Procediamo costantemente allo sviluppo dei nostri prodotti e ci riserviamo quindi il diritto di apportare, senza alcun preavviso, modifiche riguardanti fra l'altro la forma e l'aspetto esteriore.

Nota: Questo manuale tratta unità a benzina e a batteria.

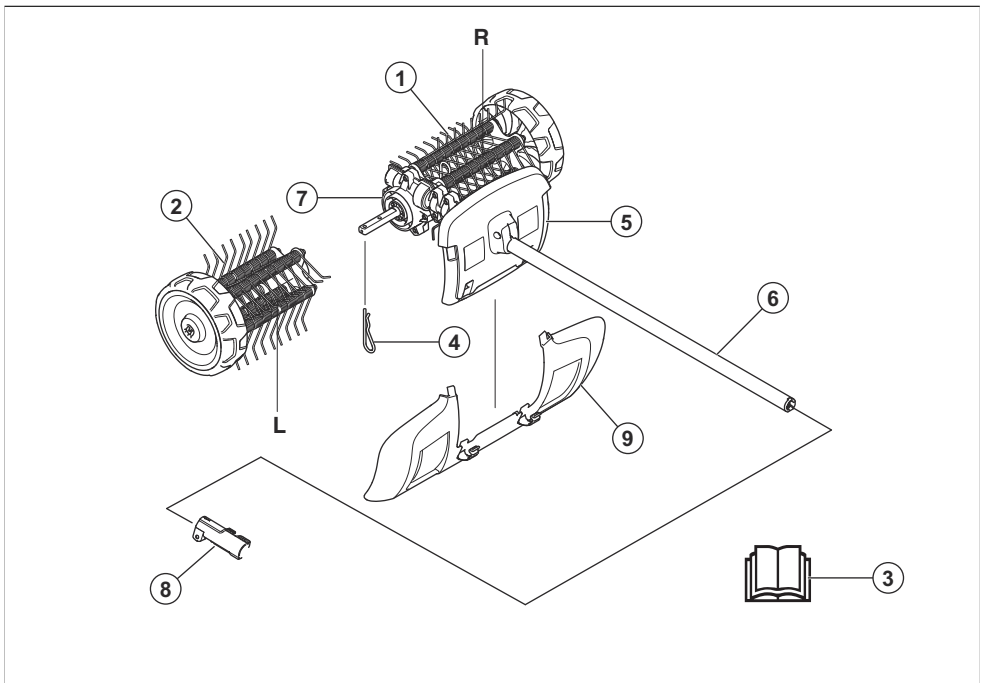
Uso previsto



AVVERTENZA: Questo accessorio può essere usato solo insieme al prodotto per cui è stato progettato, vedere il capitolo sugli accessori nel manuale dell'operatore del prodotto.

L'accessorio è concepito esclusivamente per eliminare il muschio dai prati.

Panoramica dell'accessorio



- | | |
|----------------------------------|--|
| 1. Arieggiatore muschio destro | 6. Albero |
| 2. Arieggiatore muschio sinistro | 7. Scatola ingranaggi |
| 3. Manuale dell'operatore | 8. Raccordo dell'albero (in dotazione con il prodotto) |
| 4. Spina | 9. Paraspruzzi |
| 5. Protezione (sull'albero) | |

Simboli su accessorio e unità:



L'uso negligente o improprio di questo accessorio può provocare lesioni gravi o mortali all'operatore o a terzi.



Prima di usare l'accessorio, leggere attentamente il manuale dell'operatore e accertarsi di averne compreso il contenuto.



Utilizzare cuffie protettive omologate. Utilizzare protezioni per gli occhi omologate. Utilizzare una mascherina se esiste il rischio di inalare la polvere.



Il presente accessorio è conforme alle vigenti direttive CE.



Questo prodotto è conforme alle direttive del Regno Unito vigenti.



Parti rotanti. Tenere lontani mani e piedi. La freccia indica la direzione di rotazione.



Utilizzare sempre guanti protettivi omologati.



Usare stivali robusti e antisdrucciolo.



Pericolo di proiezione di oggetti e particelle.



L'operatore deve assicurarsi che non vi siano persone o animali a una distanza inferiore a 15 m. Quando più operatori lavorano nello stesso luogo, mantenere una distanza di sicurezza di almeno 15 m. L'accessorio può urtare violentemente oggetti che possono rimbalzare, causando seri danni agli occhi se non vengono usati i dispositivi di sicurezza consigliati.



Tenersi a una distanza minima di 15 m / 50 ft da persone e animali quando il prodotto è in funzione.



Tenere le parti del corpo lontano dalle superfici roventi.



Emissioni di rumore nell'ambiente in conformità alle direttive e alle norme UE e UK e alla norma del Nuovo Galles del Sud in materia di protezione dell'ambiente "Protection of the Environment Operations (Noise Control) Regulation 2017". Il livello di potenza sonora garantito del prodotto è specificato in *Dati tecnici alla pagina 239* nonché sull'etichetta.

Nota: I restanti simboli/decalcomanie applicati sull'accessorio riguardano particolari requisiti necessari per ottenere la certificazione in alcuni mercati.

Sicurezza

Definizioni di sicurezza

I simboli di avvertenza e cautela e le note vengono utilizzati per evidenziare le parti importanti del manuale dell'operatore.



AVVERTENZA: Utilizzato se è presente un rischio di lesioni o morte dell'operatore o di passanti nel caso in cui le istruzioni del manuale non vengano rispettate.



ATTENZIONE: Utilizzato se è presente un rischio di danni al prodotto e/p all'accessorio, ad altri materiali oppure alla zona adiacente nel caso in cui le istruzioni del manuale non vengano rispettate.

Nota: Utilizzato per fornire ulteriori informazioni necessarie in una determinata situazione.

Istruzioni di sicurezza generali



AVVERTENZA: Leggere le seguenti istruzioni di sicurezza prima di utilizzare l'accessorio.

- Prima di usare l'accessorio, leggere attentamente il manuale dell'operatore e accertarsi di averne compreso il contenuto.
- Queste istruzioni integrano le istruzioni fornite con il prodotto. Per altre procedure, fare riferimento alle istruzioni di funzionamento per il prodotto.
- Evitare assolutamente di modificare la versione originale dell'accessorio senza l'autorizzazione del fabbricante. Non utilizzare un accessorio che sembra essere stato modificato da altri e utilizzare sempre gli accessori originali. Modifiche e/o accessori non autorizzati possono causare gravi lesioni personali o mortali all'operatore o a terzi.

Leggere tutte le istruzioni



AVVERTENZA: Quando si utilizzano attrezzature elettriche da giardino, occorre sempre seguire le istruzioni di sicurezza di base indicate di seguito per ridurre il rischio di incendio, scossa elettrica e lesioni personali:

Istruzioni di sicurezza dell'arieggiatore

- Non consentire mai l'uso del prodotto a bambini, persone con ridotte capacità fisiche, sensoriali o mentali, o mancanza di esperienza e conoscenza o a persone che non conoscono queste istruzioni. Alcune normative locali possono limitare l'età dell'operatore.
- Non azionare mai il prodotto in prossimità di persone, in particolar modo bambini, o animali.
- Non allungarsi eccessivamente e mantenere sempre l'equilibrio. Accertarsi sempre di avere una posizione stabile su terreni in pendenza, camminare, non correre mai.
- Non toccare parti in movimento pericolose prima che la macchina venga scollegata dalla rete elettrica e che le parti in movimento pericolose si siano arrestate completamente.
- Durante l'uso della macchina, indossare sempre calzature resistenti e pantaloni lunghi.
- Rimuovere la batteria dal prodotto ogni volta che il prodotto non è sorvegliato, prima di eliminare un'ostruzione e prima di pulire il prodotto o lavorare su di esso.
- Rimuovere la batteria dal prodotto prima di verificare la presenza di danni al prodotto quando, ad esempio, viene colpito un oggetto estraneo o se il prodotto inizia a vibrare in modo anomalo.
- Non collegare un cavo danneggiato all'alimentazione e non toccare un cavo danneggiato prima di

scollegarlo dall'alimentazione. Un cavo danneggiato può causare il contatto con parti sotto tensione e causare lesioni gravi o mortali.

- Non utilizzare mai il prodotto con protezioni difettose, senza dispositivi di sicurezza o se il cavo è danneggiato o usurato.
- Tenere le prolunghie lontane da parti in movimento pericolose per evitare danni ai cavi che possono causare il contatto con le parti sotto tensione.
- Collegare il prodotto solo a un circuito di alimentazione protetto da un dispositivo di corrente residua (RCD) con una corrente di intervento non superiore a 30 mA.
- Evitare di utilizzare il prodotto in condizioni climatiche sfavorevoli, soprattutto quando vi è il rischio di fulmini.

Istruzioni di sicurezza per l'utilizzo

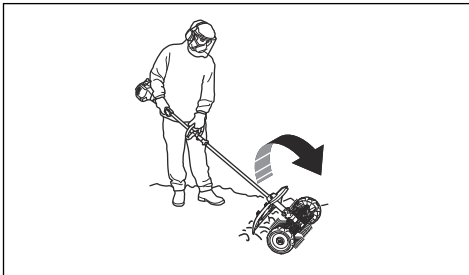


AVVERTENZA: Leggere le seguenti avvertenze prima di utilizzare il prodotto.

- L'interruttore di arresto torna automaticamente in posizione di avviamento. Assicurarsi di evitare l'avviamento accidentale durante l'assemblaggio, il controllo e/o gli interventi di manutenzione. Se si dispone di un prodotto a benzina, scollegare il cappuccio dalla candela. Se si dispone di un prodotto azionato a batteria, rimuovere la batteria.
- rischio di oggetti volanti. Usare sempre protezione per gli occhi. Non inchinarsi sopra all'arieggiatore di muschio. C'è la possibilità di essere colpiti a un occhio da un sasso, un ramo o altri oggetti sollevatisi dal terreno, con conseguenze anche molto gravi, quali cecità o altre lesioni.
- L'ingranaggio può riscaldarsi molto durante l'uso e può restare caldo per qualche minuto dopo lo spegnimento della macchina. Il contatto può implicare il rischio di ustioni.
- Sebbene i tamburi della spazzola non abbiano la stessa forza delle lame di un rasaerba, si dovrebbe evitare ad esempio di lavorare con materiali che possono causare lesioni personali o danni durante l'espulsione.
- Non utilizzare il macchinario se non si è certi di poter chiedere aiuto in caso d'infortunio.
- Non utilizzare la macchina per scopi diversi da quelli previsti.
- Non usare la macchina in condizioni di stanchezza o sotto l'effetto di alcool o medicinali in grado di compromettere il vostro stato psichico e il controllo dei vostri atti.
- Non usare mai la macchina in condizioni climatiche estreme come temperature molto basse o clima estremamente caldo e/o umido.
- Non usare mai una macchina difettosa. Eseguire i controlli di sicurezza e attenersi alle istruzioni di manutenzione e riparazione riportate nel presente manuale. Alcuni interventi devono essere eseguiti

da personale specializzato. Vedere le istruzioni alla sezione Manutenzione.

- Non permettere che la macchina sia utilizzata da bambini.
- Non consentire mai ad altri l'utilizzo della macchina senza prima accertarsi che abbiano letto e compreso il contenuto del manuale operatore.
- Mantenere sempre distanti i non addetti ai lavori. Bambini, animali, assistenti e anche eventuali spettatori devono sempre essere tenuti ad una distanza di sicurezza di 15 metri durante il lavoro. Arrestare immediatamente il macchinario nel caso qualcuno si avvicini.
- Se si è incerti riguardo a come procedere, rivolgersi a un esperto. Contattare il proprio rivenditore o l'officina di assistenza.
- Evitare qualsiasi lavoro per il quale non ci si sente sufficientemente qualificati.
- Osservare l'ambiente circostante per escludere il rischio che persone o animali vengano a contatto con la macchina o ne compromettano il controllo da parte vostra.
- Far sempre attenzione a segnali di allarme o chiamate quando si utilizzano le cuffie protettive. Togliere sempre le cuffie protettive immediatamente all'arresto del motore/motorino.
- Non utilizzare il prodotto in condizioni di tempo sfavorevoli, ad esempio nebbia, pioggia intensa, vento forte, freddo intenso, ecc. Lavorare con tempo cattivo è spesso stancante e comporta situazioni di rischio, come ad esempio il terreno scivoloso, direzione di caduta dell'albero imprevedibile, ecc.
- Accertarsi di poter camminare e lavorare in posizione sicura. In caso di spostamenti, controllare che non vi siano ostacoli (ceppi, radici, rami, fossati ecc.) Fare particolare attenzione quando si lavora su terreni in pendenza.



- Durante gli spostamenti spegnere il motore/motorino.
- Non poggiare mai la macchina a motore/motorino acceso se non la si può tenere d'occhio.
- Tenere sempre la macchina con entrambe le mani. Tenere la macchina lateralmente rispetto al corpo.
- Accertarsi che mani e piedi non tocchino l'arieggiatore di muschio quando è in funzione.

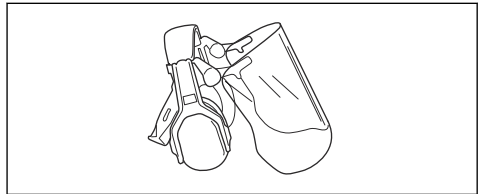
- Una volta spento il motore/motorino, tenere mani e piedi lontani dall'arieggiatore di muschio fino al suo completo arresto.
- Se si verificano forti vibrazioni, spegnere la macchina. Se si dispone di un prodotto azionato a benzina, togliere il cavo HT dalla candela. Se si dispone di un prodotto azionato a batteria, rimuovere la batteria dal prodotto. Accertarsi che la macchina non sia danneggiata. Riparare eventuali guasti riscontrati.

Abbigliamento protettivo personale

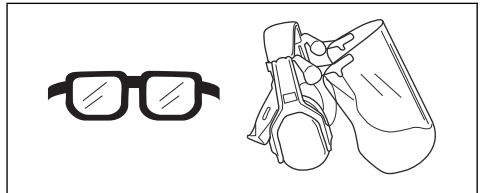


AVVERTENZA: Leggere le seguenti avvertenze prima di utilizzare il prodotto.

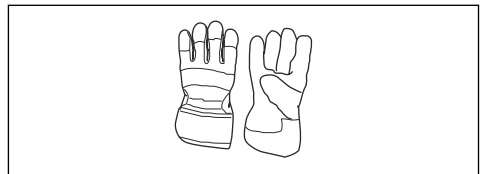
- Usare sempre abbigliamento protettivo personale omologato quando si utilizza il prodotto. L'uso di abbigliamento protettivo personale non elimina il rischio di lesioni, ma ne riduce la gravità in caso di incidente. Farsi consigliare dal rivenditore per la scelta dell'attrezzatura adatta.
- Usare cuffie protettive con effetto insonorizzante adeguato. Una lunga esposizione al rumore può comportare lesioni permanenti all'udito.



- Utilizzare protezioni per gli occhi omologate. Con l'uso della visiera è necessario anche l'uso di occhiali protettivi omologati. Con il termine occhiali protettivi omologati si intendono occhiali che siano conformi alle norme ANSI Z87.1 per gli USA o EN 166 per i paesi EU.



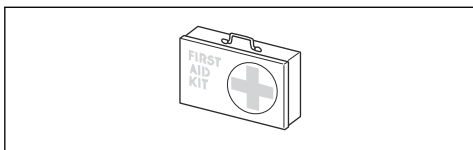
- Indossare guanti ove necessario, ad esempio per montare, ispezionare o pulire l'attrezzatura di taglio.



- Usare stivali protettivi con calotta in acciaio e suole antiscivolo.



- Indossare indumenti di tessuto resistente. Indossare sempre pantaloni lunghi e pesanti e maniche lunghe. Non indossare indumenti larghi che potrebbero impigliarsi nei ramoscelli e nei rami. Non indossare gioielli, pantaloni corti o sandali e non lavorare a piedi nudi. Raccogliere i capelli in modo sicuro sopra le spalle.
- Tenere a portata di mano il kit di primo soccorso.



Dispositivi di sicurezza sull'accessorio



AVVERTENZA: Leggere le seguenti avvertenze prima di utilizzare l'accessorio.

In questa sezione vengono presentati i dispositivi di sicurezza dell'accessorio, la loro funzione, il controllo e la manutenzione necessari per assicurarne un funzionamento ottimale. Vedere le istruzioni alla sezione *Panoramica dell'accessorio alla pagina 232* per localizzare questi dispositivi sull'accessorio.

La durata dell'accessorio può ridursi e il rischio di incidenti aumentare se la manutenzione non viene eseguita correttamente e se l'assistenza e/o le riparazioni non vengono effettuate da personale qualificato. Per ulteriori informazioni, contattare il rivenditore con assistenza più vicino.



AVVERTENZA: Non utilizzare mai un accessorio con dispositivi di sicurezza difettosi. I dispositivi di sicurezza di sicurezza dell'accessorio vanno controllati e sottoposti a manutenzione secondo quanto descritto in questo capitolo. Se l'accessorio

non supera tutti i controlli, contattare un'officina per le necessarie riparazioni.



AVVERTENZA: Tutte le riparazioni e l'assistenza del prodotto vanno eseguite da personale specializzato. Quanto detto vale in particolare per i dispositivi di sicurezza del prodotto. Se il prodotto non supera tutti i controlli sottoelencati, contattare l'officina autorizzata. L'acquisto di uno dei nostri prodotti garantisce l'assistenza di personale qualificato. Se non avete acquistato il prodotto presso un rivenditore con centro di assistenza, informatevi sull'ubicazione della più vicina officina autorizzata.

Istruzioni di sicurezza per la manutenzione



AVVERTENZA: Leggere le seguenti avvertenze prima di effettuare la manutenzione.

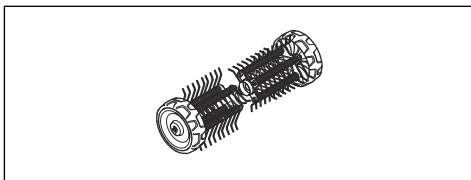


AVVERTENZA: Arrestare sempre il prodotto prima di effettuare la manutenzione dell'accessorio. Attenzione, l'accessorio può continuare a muoversi anche quando l'acceleratore o la leva di comando viene rilasciata. Assicurarsi che l'accessorio si sia arrestato completamente. Se si dispone di un prodotto azionato a benzina, togliere il cavo HT dalla candela. Se si dispone di un prodotto azionato a batteria, rimuovere la batteria.



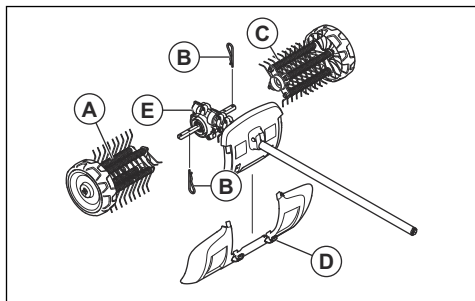
AVVERTENZA: Usare sempre guanti di protezione.

- Controllare l'intero prodotto prima di iniziare il lavoro. Controllare che tutte le protezioni e i coperchi siano in sede e ben fissati. Serrare tutti i dadi e le viti.
- Se si dispone di un prodotto azionato a benzina, controllare che non vi siano perdite di carburante.
- Sostituire le parti danneggiate.



Montaggio

Montaggio dell'accessorio

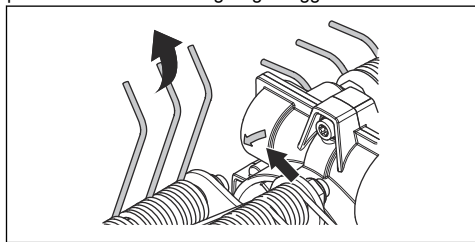


La freccia sulla scatola degli ingranaggi indica il senso di rotazione. La scatola degli ingranaggi deve essere posizionata come mostrato in figura.

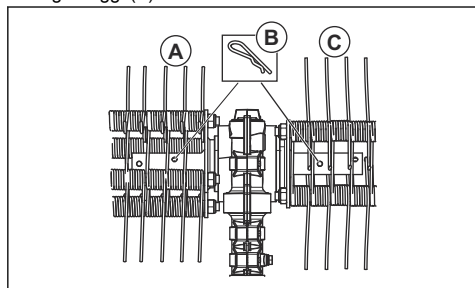
IMPORTANTE:

I rulli dell'arieggiatore di muschio sono contrassegnati con le frecce che indicano la direzione della rotazione. Accertarsi che i rulli dell'arieggiatore di muschio siano montati correttamente.

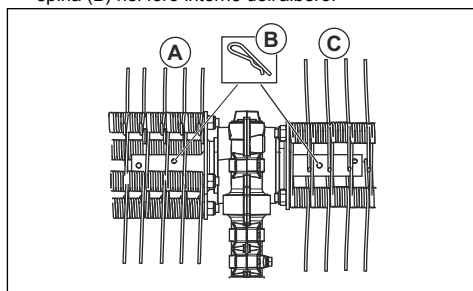
I rulli dell'arieggiatore di muschio devono essere montati leggermente spostati l'uno rispetto all'altro. Le molle dell'arieggiatore di muschio devono essere rivolte nella stessa direzione di rotazione indicata dalla freccia presente sulla scatola degli ingranaggi.



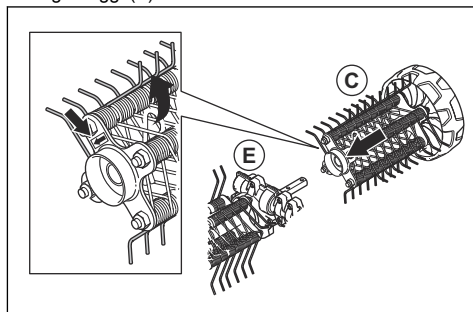
1. Premere l'arieggiatore di muschio lato sinistro (A) sull'albero di trasmissione sinistro della scatola degli ingranaggi (E).



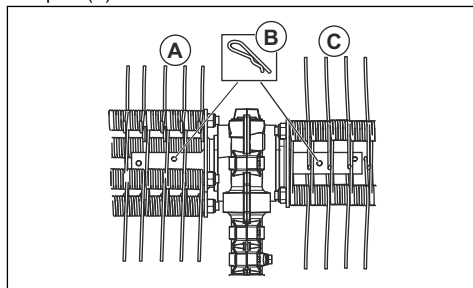
2. Fissare il rullo dell'arieggiatore di muschio con la spina (B) nel foro interno dell'albero.



3. Premere l'arieggiatore di muschio lato destro (A) sull'albero di trasmissione destro della scatola degli ingranaggi (E).



4. Fissare il rullo dell'arieggiatore di muschio con la spina (B) nel foro interno dell'albero.



5. Montare il paraspruzzi con i bottoni a pressione (D).

Nota: Per il montaggio degli accessori sul prodotto base, fare riferimento al relativo manuale.

Utilizzo

Avviamento del prodotto con il motore freddo

Se si dispone di un prodotto a benzina, attenersi a queste istruzioni per avviare il prodotto a motore freddo.

1. Far riscaldare il prodotto base, quindi spegnerlo.
2. Montare l'accessorio attenendosi alle istruzioni di montaggio.
3. Durante la regolazione del carburatore, assicurarsi che l'arieggiatore sia tenuto a terra e che nessuno si trovi nelle vicinanze.
4. Mantenere l'arieggiatore di muschio al minimo.
5. Controllare che impugnature e dispositivi di sicurezza funzionino a dovere. Non usare mai un prodotto che manchi di qualche componente o modificato rispetto alle specifiche.

Utilizzo dell'accessorio

1. Far funzionare l'arieggiatore di muschio a pieno gas (o quasi) con le ruote appoggiate alla superficie.

Nota: È faticoso e inutile sollevare o tenere l'arieggiatore di muschio sopra la superficie durante il lavoro.

2. Mantenere un angolo di lavoro acuto rispetto alla superficie. Con un angolo di lavoro ampio la spazzatrice tende a spostarsi verso l'utente e si rischia di perdere il controllo del prodotto.



Manutenzione

Introduzione

Seguono alcuni consigli di manutenzione. Se avete bisogno di ulteriori informazioni contattate il servizio di assistenza.

Manutenzione sull'accessorio



ATTENZIONE: L'arieggiatore di muschio viene spesso utilizzato in ambienti polverosi. Se si dispone di un prodotto a benzina, è estremamente importante che il filtro dell'aria venga controllato periodicamente, anche quotidianamente, e lubrificato per poter funzionare in modo soddisfacente.

Per le istruzioni di manutenzione, fare riferimento al manuale operatore del gruppo di potenza.

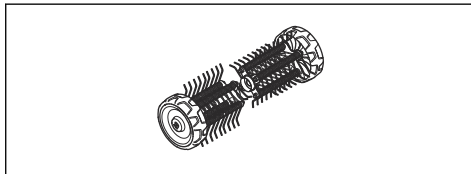


AVVERTENZA: Indossare sempre guanti protettivi quando si esegue la manutenzione dell'accessorio.



AVVERTENZA: Lavorando con il prodotto la scatola ingranaggi si riscalda. Evitare di toccare la scatola ingranaggi per evitare ustioni.

1. Assicurarsi che l'arieggiatore di muschio non ruoti quando l'acceleratore o la leva di comando viene rilasciata.



2. Pulire le ruote se non ruotano liberamente.

Trasporto, stoccaggio e smaltimento

Trasporto e rimessaggio

Se il trasporto dell'accessorio su un altro veicolo utilizzare sempre dei dispositivi di fissaggio e assicurarsi che l'accessorio sia fissato saldamente.

Accertarsi che l'accessorio sia ben pulito e che sia stato sottoposto a tutte le operazioni di assistenza prima di ogni rimessaggio a lungo termine.

Dati tecnici

Dati tecnici dei prodotti a benzina

Arieggiatore muschio	DT600
Larghezza, mm	556
Peso	
Peso, kg	6,5
Emissioni di rumore ¹³⁹	
Livello acustico, misurato dB (A)	105
Livello acustico, garantito L_{WA} dB(A)	109
Livelli di rumorosità ¹⁴⁰	
Livello di pressione acustica equivalente rispetto all'udito dell'operatore, misurato in base alle norme EN ISO 22868, dB(A)	95
Vibrazioni ¹⁴¹	
Livelli di vibrazione equivalenti ($a_{hv,eq}$) sulle impugnature, misurati in base alle norme EN ISO 22867 in m/s^2	
Impugnature anteriori/posteriori	6,2/4,3

Dati tecnici dei prodotti a batteria

325ILK + Accessorio arieggiatore DT600	
Larghezza, mm	556
Peso	
Peso, kg	2,3+6,5

¹³⁹ Misurazione effettuata con accessori omologati Husqvarna. emissioni di rumore nell'ambiente misurate come potenza sonora (L_{WA}) in base alla direttiva CE 2000/14/CE. Il livello di potenza acustica riportato per il macchinario è stato misurato con il gruppo di taglio originale che emette il livello massimo. La differenza tra potenza acustica misurata e garantita è che la potenza acustica garantita comprende anche la dispersione nel risultato di misurazione e le variazioni tra le diverse macchine dello stesso modello come da Direttiva 2000/14/CE.

¹⁴⁰ Misurazione effettuata con accessori omologati Husqvarna. I dati riportati per il livello di pressione acustica equivalente del macchinario hanno una dispersione statistica tipica (deviazione standard) di 1 dB (A).

¹⁴¹ Misurazione effettuata con accessori omologati Husqvarna. I dati riportati per il livello di vibrazioni equivalente hanno una dispersione statistica tipica (deviazione standard) di 1 m/s^2 .

325iLK + Accessorio arieggiatore DT600	
Emissioni di rumore ¹⁴²	
Livello acustico, misurato dB (A)	89
Livelli di rumorosità ¹⁴³	
Livello di pressione acustica rispetto all'udito dell'operatore, misurato a norma EN ISO 22868, dB(A):	77
Vibrazioni ¹⁴⁴	
Livelli di vibrazioni delle impugnature, misurati in base alla norma EN 62841-1, m/s ²	
Impugnature anteriori/posteriori	1,9/2,6
Accessorio approvato (originale) in dotazione, sinistra/destra	1,9/2,6

¹⁴² I dati riportati relativi al livello di potenza acustica della macchina hanno una tipica dispersione statistica (deviazione standard) di 3 dB (A) e sono stati misurati con il gruppo di taglio originale che fornisce il massimo livello.

¹⁴³ I dati riportati relativi al livello di pressione acustica della macchina hanno una tipica dispersione statistica (deviazione standard) di 3 dB (A) e sono stati misurati con il gruppo di taglio originale che fornisce il massimo livello.

¹⁴⁴ I dati riportati per il livello di vibrazioni presentano una dispersione statistica tipica (deviazione standard) di 2 m/s². Per il confronto dei livelli di vibrazioni, della batteria e dei prodotti a combustione, utilizzare il calcolatore delle vibrazioni. <https://www.husqvarna.com/uk/services-solutions/vibration-calculator/>.

Dichiarazione di conformità

Dichiarazione di conformità UE

Husqvarna AB, SE-561 82 Huskvarna, Svezia, tel.:
+46-36-146500, dichiara sotto la propria esclusiva
responsabilità che il prodotto indicato:

Descrizione	Distaccatore di muschio
Marchio	Husqvarna
Tipo / Modello	DT600
Identificazione	Numeri di serie a partire da 2022 e successivi

È pienamente conforme alle seguenti norme e direttive
UE:

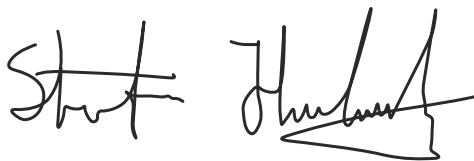
Direttiva/norma	Descrizione
2006/42/CE	"sulle macchine"
2000/14/CE	"sull'emissione di rumore nell'ambiente"
2011/65/UE	"sulla restrizione dell'uso di determinate sostanze pericolose nelle apparecchiature elettriche ed elettroniche"

e che sono applicati gli standard e/o le specifiche
tecniche seguenti: EN ISO 12100:2010, EN IEC
63000:2018

RISE SMP Svenska Maskinprovning AB, Box
7035, SE-750 07 Uppsala, Sweden ha eseguito
l'omologazione volontaria per conto di Husqvarna AB.

Numero del certificato: SEC/15/2411

Huskvarna , 2022-03-14



Stefan Holmberg, Responsabile R&S , Technology
Management, Husqvarna AB

Responsabile della documentazione tecnica



内容

引言.....	242	维护.....	247
安全性.....	243	运输、存放和废弃处理.....	247
安装.....	246	技术参数.....	247
操作.....	246	一致性声明.....	249

引言

产品说明

连续开发产品是我们的政策，因此我们保留修改产品设计和外观的权利，恕不事先通知。

注意： 本手册涵盖了汽油驱动型和电池驱动型动力装置。

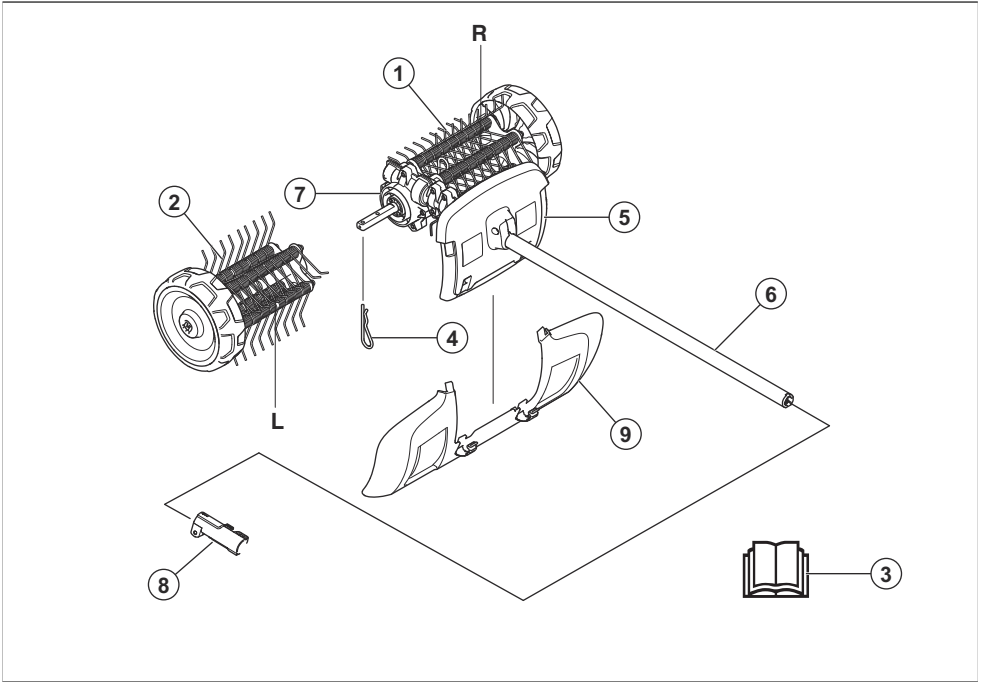
预期用途



警告： 本附件仅可与指定产品配套使用，详情请参阅产品《操作手册》中的“附件”一章。

本附件仅设计用于清除草坪中的苔藓。

产品概览



1. 清苔器 (右)
2. 清苔器 (左)
3. 操作手册
4. 开口销
5. 防护罩 (保护驱动轴)
6. 刀轴
7. 齿轮箱

8. 联轴节 (随产品提供)
9. 防溅罩

附件和动力装置上的符号



使用本产品时疏忽大意或使用不当有可能导致操作人员或其他人员受到严重或致命伤害。



请认真阅读操作手册，确保在充分理解各项说明之后再使用附件。



请使用获得批准的听觉保护装备。请使用获得批准的眼部防护装备。如果可能产生扬尘，请佩戴通气口罩。



本附件符合适用的 EC 指令的要求。



本产品符合适用的英国法规。



回转部件。确保四肢远离机器。箭头指示了旋转方向。



务必戴上检验合格的防护手套。



穿上坚固的防滑靴。



注意抛掷物和反弹物。



操作员必须确保 15 米范围内无任何人员或动物。多名操作员在同一现场工作时，彼此之间必须保持至少 15 米的安全距离。本附件可能会以很大的力量抛出物体，这些物体可能反弹回来。如果未使用建议的安全装备则可能会导致眼部严重受伤。



本产品运行期间，应与人员和动物保持至少 15 m/50 ft 的距离。



保持身体部位远离高温表面。



对环境的噪音排放的标签符合欧盟指令、英国指令和新南威尔士州法规“2017 年环境行动（噪音控制）保护法规”的要求。本产品的保证声功率级在标签中 *技术参数* 在第 247 页上和该标签上均有注明。

注意：有关本附件上的其他符号/标识，请参阅适用于特定市场的特殊认证要求。

安全性

安全定义

本操作手册使用了“警告”、“小心”和“注释”来指出特别重要的内容。



警告： 当不遵守手册中的说明可能会给操作员或周围人员带来伤害或死亡风险时，会使用此标志。



小心： 当不遵守手册中的说明可能会对产品和/或附件、其他材料或附近区域造成损坏时，会使用此标志。

注意： 用于提供特定状况下所需的更多信息。

一般安全须知



警告： 请在使用本产品前阅读下面的安全须知。

- 请认真阅读操作手册，确保在充分理解各项说明之后再使用本产品。
- 这些说明是对本产品随附说明文件的补充。如需了解其他步骤，请参考本产品的操作说明。
- 任何情况下，未经制造厂的许可，不得修改本产品的设计。请勿使用似乎已被他人改动过的附件，并且一定要使用原厂附件。未经许可擅自修改，或使用未经认可的附件，可能会对操作员或其他人员造成严重的伤害或死亡。

请阅读所有说明



警告： 使用电动园艺设备时，务必遵循基本的的安全注意事项以降低失火、电击和人身伤害危险，包括以下注意事项：

清苔器安全须知

- 切勿让儿童、身体机能、感知能力或精神机能减退的人或缺乏经验和知识或不熟悉这些说明的人使用本产品。当地法律可能会对操作员的年龄加以限制。
- 请勿在附近有人，尤其是有儿童或宠物时操作本产品。
- 请勿距离过远，请始终保持平衡。在斜坡上时，注意站稳，步行作业，不宜奔跑。
- 在机器与主电源断开连接且正在移动的危险部件完全停止之前，请勿触摸正在移动的危险部件。
- 操作机器时，务必穿上厚实的鞋子和长裤。
- 在清除阻塞物之前以及在清洁或处理产品之前，只要产品无人看管，就应从产品中取出电池。
- 在检查产品是否损坏之前，请先从产品中取出电池，例如，在有异物碰撞或产品开始异常振动时。
- 请勿将损坏的电源线连接到电源，并且在断开电源之前不要触碰损坏的电源线。损坏的电源线可能会与带电部件接触，并可能导致人身伤害或死亡。
- 如果防护装置/护罩有缺陷，或者没有安全装置，或者电线损坏或磨损，切勿操作本产品。
- 延长线应远离移动的危险部件，以免损坏电源线，否则会导致与带电部件接触。
- 只能将产品连接到受漏电保护器 (RCD) 保护的电源电路 (跳闸电流不超过 30 mA)。
- 避免在恶劣的天气状况下使用本产品，尤其是在有闪电危险的情况下。

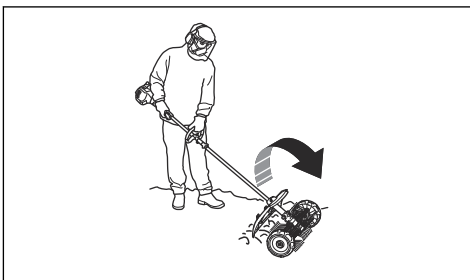
操作安全须知



警告： 请在使用本产品前阅读下面的警告说明。

- 停止开关自动返回至启动位置。确保在组装、检查和/或执行维护时防止意外启动。如为汽油驱动型产品，请断开火花塞上的火花塞线帽。如为电池供电型产品，请取下电池。
- 注意抛掷物。始终佩戴眼部保护设备。切勿俯身到清苔器上。石头、垃圾等会抛入眼中，导致失明或严重伤害。
- 使用过程中，齿轮可能会发热，并在之后一段时间仍有余热。触摸可能会烧伤。
- 例如，尽管刷鼓没有草坪机锯片的作用力厉害，您也应当避免接触被抛出的材料，以免造成人身伤害或财物损坏。
- 如果发生事故时无法求救，请勿使用本机。
- 仅将机器用于指定的用途。
- 感到疲劳、曾经饮酒，或曾服用影响视力、判断力或协调能力的药物时，请勿操作本机。
- 切勿在极端天气条件下使用本机，如严寒、酷热和/或潮湿气候条件下。

- 禁止使用有故障的机器。按照本手册中的说明进行安全检查、维修和保养。部分维修和保养措施必须由受过培训并有相应资质的专家进行。请参阅“维修和保养”一节的说明。
- 严禁儿童使用机器。
- 在事先未确定其他人是否阅读和了解了本操作手册的内容之前，禁止其使用本机。
- 未经授权的人员不得靠近。在您工作时，应保持儿童、动物、旁观者和助手在 15 米的安全区以外。如有人靠近，立即停止机器。
- 当您遇到任何情况，不知如何继续时，请咨询专家。与您的经销商或保养厂联系。
- 避免任何超出您能力范围的使用。
- 观察您的周围，确保不存在人或动物接触或影响您控制本产品的风险。
- 戴有听觉保护设备时，请留意警告信号或呼喊声。一旦引擎/马达停机，便取下听觉保护设备。
- 避免在不良的天气情况下使用本机。例如：浓雾、暴雨、强风、严寒等。在天气不佳的情况下工作容易让人疲倦，往往会带来额外风险，例如湿滑的地面。
- 确保您可以安全地移动与站立。检查您的周围区域是否存在障碍物 (树根、岩石、树枝、沟渠等)，以免您突然移动。在倾斜地面上工作时，要特别小心。



- 移动设备前，必须先关闭引擎/马达。
- 切勿在引擎/马达运转的情况下放下机器，除非是放在您可以清楚看到的位置。
- 务必用双手握住机器。从与身体同一侧的方向握住机器。
- 确保在其运转期间，四肢不要靠近清苔器。
- 在关闭引擎/马达之后，直至其完全停止之前，四肢都不要靠近清苔器。
- 如果发生剧烈振动，请停止运行机器。如为汽油驱动型产品，请断开 HT 导线与火花塞的连接。如为电池供电型产品，请从产品上取下电池。确保机器未损坏。维修所有受损部分。

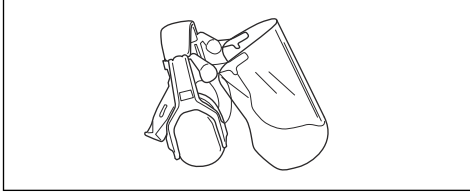
个人防护装备



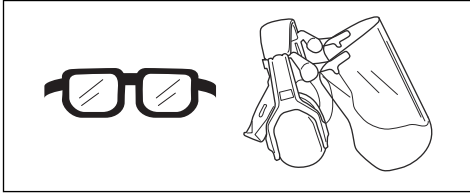
警告： 请在使用本产品前阅读下面的警告说明。

- 操作产品时务必使用获得批准的个人防护装备。个人防护装备不能完全避免受伤，但当意外发生时，可降低伤害程度。请经销商协助您选择正确的防护装备。

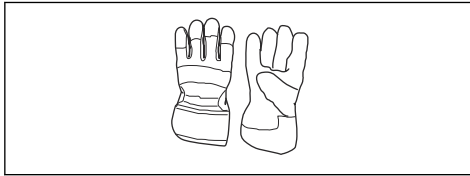
- 使用获得批准的听觉保护设备，尽量降低噪音。长期接触噪音可能会导致永久性听力损伤。



- 请使用获得批准的眼部保护装备。如果佩戴面罩，必须同时佩戴获得批准的护目镜。在美国，经批准的护目镜必须符合 ANSI Z87.1 标准；在欧盟国家/地区，必须符合 EN 166 标准。



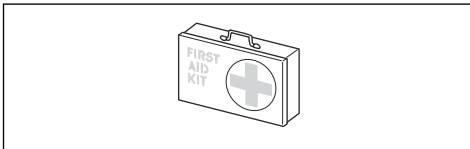
- 必要时戴上手套，例如在安装、检查或清洁切割设备时。



- 穿上带有钢鞋头和防滑鞋底的防护靴。



- 穿着高强度纤维制成的衣物。务必穿着结实的长裤和长袖衣服。切勿穿着容易钩住小树枝和分枝的衣物。切勿佩戴珠宝、穿着短裤、凉鞋或光脚。确保头发安全地挽在肩部以上。
- 确保急救箱触手可及。



本产品上的安全装置



警告： 请在使用本产品前阅读下面的警告说明。

本节介绍本产品的安全特性及用途，并说明如何进行检查和维护，以确保它正常运转。有关这些零件在本产品上的位置，请参阅**产品概览**在第 242 页上一节中的说明。

如果本产品维护不当或由非专业人员进行保养和/或维修，附件的使用寿命会缩短，发生意外的风险会增加。欲知更多详情请联系距您最近的保养代理商。



警告： 不得使用安全部件有缺陷的附件。本产品的安全装备必须按照本节说明进行检查和维护。如果在检查附件时发现故障，请联系保养厂进行维修。



警告： 本产品的保养和维修工作必须由经过专门培训的人员执行。对于本产品的安全装备来说尤其如此。如果您购买的产品在检修过程中出现下述故障，您必须与保养厂联络。如果您购买我们的产品，我们承诺提供专业的修理和保养。如果出售本产品的零售商不是保养代理商，应向他咨询离您最近的保养厂的地址。

维护安全须知



警告： 请在维护前阅读下面的警告说明。

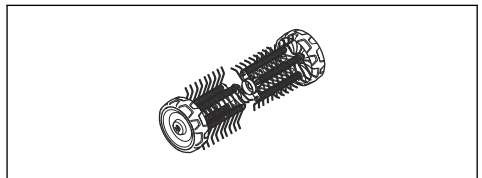


警告： 在维护附件前，务必先停止运行本产品。请注意，松开开关扳机/油门扳机后，附件可能会继续运动。确保附件已完全停止。如为汽油驱动型产品，请断开 HT 导线与火花塞的连接。如为电池供电型产品，请取下电池。



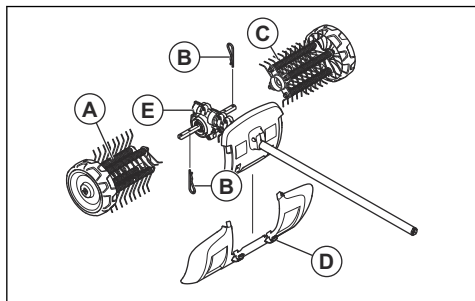
警告： 务必戴上保护手套。

- 开始工作前，请先检查整个产品。检查并确保所有防护装置和盖子完好且已牢固固定。检查所有螺母和螺丝。
- 如为汽油驱动型产品，请检查并确保没有燃油泄漏。
- 更换损坏的部件。



安装

装配附件

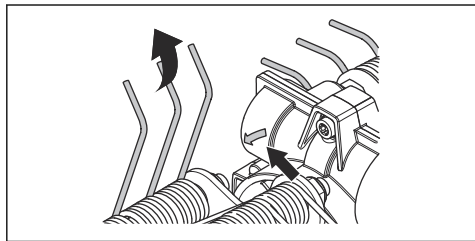


齿轮箱上的箭头提示了旋转方向。齿轮箱按图示放置。

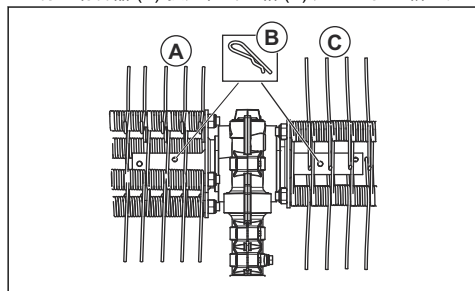
重要事项：

清苔器滚筒上标有显示旋转方向的箭头。确保正确安装清苔器滚筒。

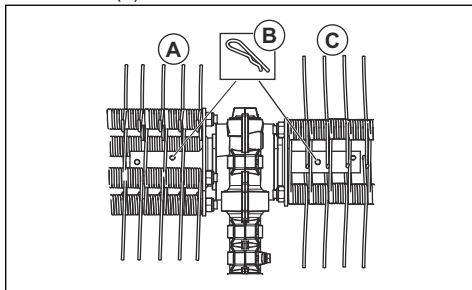
安装清苔器滚筒时，安装位置必须相对于彼此略微偏移。清苔器弹簧应与齿轮箱上显示旋转方向箭头的指向相同。



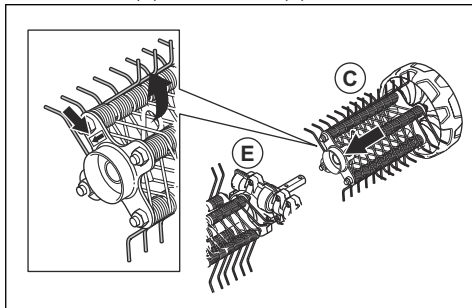
1. 将左清苔器 (A) 按压在齿轮箱 (E) 处的左驱动轴上。



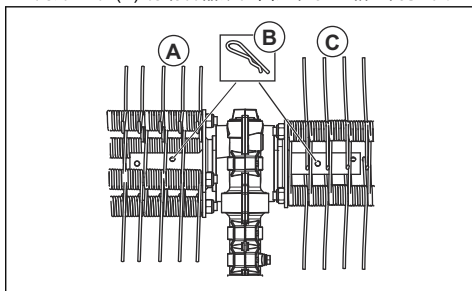
2. 用开口销 (B) 将清苔器滚筒固定在驱动轴的内孔中。



3. 将右清苔器 (C) 按压在齿轮箱 (E) 处的右驱动轴上。



4. 用开口销 (B) 将清苔器滚筒固定在驱动轴的内孔中。



5. 用扣合式紧固件 (D) 安装防溅罩。

注意： 有关在主机上安装配件的信息，请参阅主机手册。

操作

在冷引擎情况下启动产品

如为汽油驱动型产品，请按以下说明在冷引擎情况下启动产品。

1. 运行主机使之预热，然后关闭本产品。

2. 按照安装指导安装附件。
3. 调节化油器时，确保将梳草机抵靠在地上且附近没有其他人。
4. 保持清苔器急速运行。

5. 确保手柄和安全功能正常工作。切勿使用缺少零件或者超规格改动的产品。

2. 作业时与地面保持锐角。如果作业角度较大，清苔器容易朝您移动，可能会导致您无法控制本产品。

使用附件

1. 将轮子放在地面上，以全油门（或接近全油门）运行清苔器。

注意：作业时提起清苔器或将其保持在地面上方，既会使人疲劳又没有必要。



维护

简介

以下是部分一般维修说明。欲知更多详情，请与保养厂联络。

对锯片进行维护



小心：清苔器经常是在多灰尘的环境下完成大量作业。如为汽油驱动型产品，为了获得满意的作业效果，对空气滤清器执行定期检查（通常是每天检查）和润滑极为重要。

有关维护说明，请参阅动力装置的操作手册。

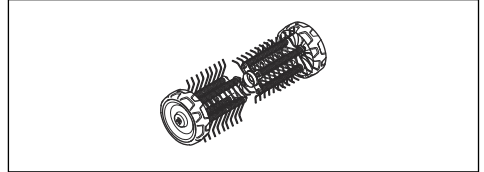


警告：对附件进行维护时，请始终戴上保护手套。



警告：在使用本产品过程中，齿轮箱的温度会非常高。切勿触摸齿轮箱，以防烫伤。

1. 松开开关扳机/油门扳机时，确保清苔器不旋转。



2. 如果轮子无法自由旋转，则进行清洁。

运输、存放和废弃处理

运输及存放

在长时间存放之前，确保清洁附件并且进行全面保养。

如果用其他车辆运输附件，务必使用经认可的固定装置并确保牢牢固定附件。

技术参数

汽油驱动产品的技术数据

清苔器	DT600
宽度 (mm)	556
重量	
重量 (kg)	6.5

清苔器	DT600
噪音排放 ¹⁴⁵	
声功率级 (测量值) , dB (A)	105
声能级, 保证值 L _{WA} dB (A)	109
声级 ¹⁴⁶	
操作员耳旁的等效声压级根据 EN ISO 22868 测量得出, dB(A) :	95
振动 ¹⁴⁷	
手柄的振动水平 (a _{nv,eq}) 根据 EN ISO 22867 测量得出, 单位为 m/s ²	
前/后手柄	6.2/4.3

电池供电产品的技术数据

325ILK + 清苔器附件 DT600	
宽度 (mm)	556
重量	
重量 (kg)	2.3+6.5
噪音排放 ¹⁴⁸	
声功率级 (测量值) , dB (A)	89
声级 ¹⁴⁹	
操作员耳旁的声压级, 根据 EN ISO 22868 测量得出, dB(A) :	77
振动 ¹⁵⁰	
手柄振动水平, 根据 EN 62841-1 测量得出, 单位为 m/s ²	
前/后手柄	1.9/2.6
配有经过批准认证的附件 (原装) , 左/右	1.9/2.6

¹⁴⁵ 与 Husqvarna 认可附件一起测量。环境噪音释放按照欧盟指令 2000/14/EC 规定的声能 (L_{WA}) 进行测量。报告给出的机器声功率级是按照原装切割锯片的最高噪声级别测量得出的。保证声功率与测定声功率之间存在差异, 在于保证声功率按照指令 2000/14/EC 的要求还包含了测量结果中的离差以及相同型号不同机器之间的偏差。

¹⁴⁶ 与 Husqvarna 认可附件一起测量。本机的等效声压级的报告数据中具有一个 1 dB (A) 的典型统计离差 (标准偏差)。

¹⁴⁷ 与 Husqvarna 认可附件一起测量。等效振动级的报告数据中具有一个 1 米/秒² 的典型统计离差 (标准偏差)。

¹⁴⁸ 本机的声功率级报告数据中具有 3 dB (A) 的典型统计离差 (标准偏差) , 并且是按照原装切割锯片的最高噪声级别测量得出的。

¹⁴⁹ 本机的声压级报告数据中具有 3 dB (A) 的典型统计离差 (标准偏差) , 并且是按照原装附件的最高噪声级别测量得出的。

¹⁵⁰ 等效振动水平的报告数据中具有 2 m/s² 的典型统计离差 (标准偏差) 。要比较振动水平、电池和燃烧产物, 请使用振动计算器。 <https://www.husqvarna.com/uk/services-solutions/vibration-calculator/>。

一致性声明

欧盟一致性声明

我们 Husqvarna AB (地址 : SE-561 82 Huskvarna , Sweden , 电话 : +46-36-146500) 谨此声明 , 本产品 :

描述	清苔器
品牌	Husqvarna
类型/型号	DT600
标识	2022 及以后的序列号

完全符合以下欧盟指令和法规的要求 , 我们对此负有唯一的责任 :

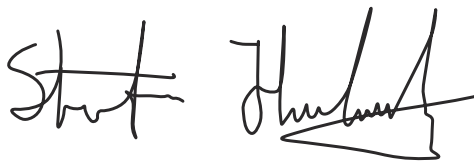
指令/法规	描述
2006/42/EC	"关于机械"
2000/14/EC	"关于环境噪音排放"
2011/65/EU	"关于在电气和电子设备中限制使用某些有害物质的指令"

并适用以下标准和/或技术规格 : EN ISO 12100:2010,
EN IEC 63000:2018

RISE SMP Svenska Maskinprovning AB, Box 7035,
SE-750 07 Uppsala, Sweden 已代表 Husqvarna AB 进行了自愿性型式检验。

证书编号 : SEC/15/2411

Huskvarna , 2022-03-14



Husqvarna AB 技术管理部门研发总监 Stefan Holmberg
技术文档负责人





FR

Cet appareil,
ses cordons,
et batterie
se recyclent

À DÉPOSER
EN MAGASIN

OU

À DÉPOSER
EN DÉCHÈTERIE

Points de collecte sur www.quefairedemesdechets.fr
Privilégiez la réparation ou le don de votre appareil !

Husqvarna®

www.husqvarna.com

Original instructions
Оригинални инструкции
Původní pokyny
Originale instruktioner
Originalanweisungen
Αρχικές οδηγίες
Instrucciones originales
Originaaljuhend
Alkuperäiset ohjeet

Instructions d'origine
Eredeti útmutatás
Originalios instrukcijos
Lietošanas pamācība

Originale instructies
Originale instruksjoner
Oryginalne instrukcje
Instruções originais
Instrucțiuni inițiale
Оригинальные инструкции
Pôvodné pokyny
Izvirna navodila
Bruksanvisning i original
Orjinal talimatlar
Istruzioni originali
原始说明



FR



1143404-38



2022-11-23