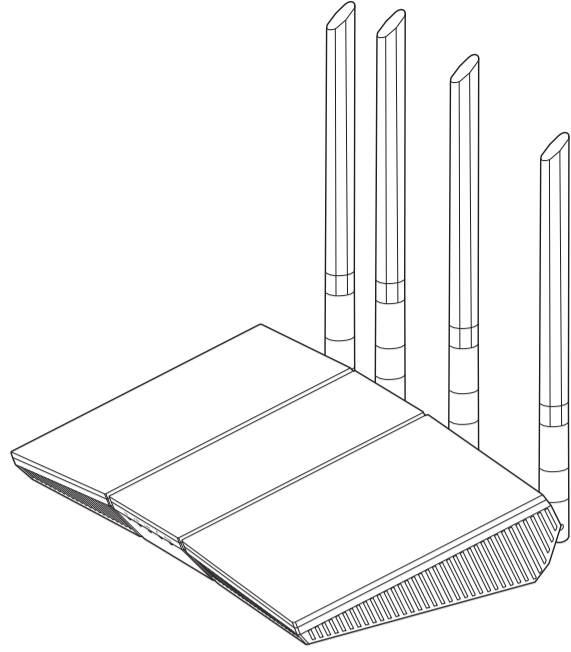


Quick Start Guide

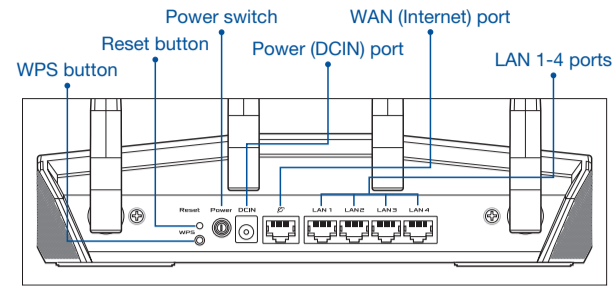
RT-AX1800

Wireless-AX1800 Dual-band Gigabit Router

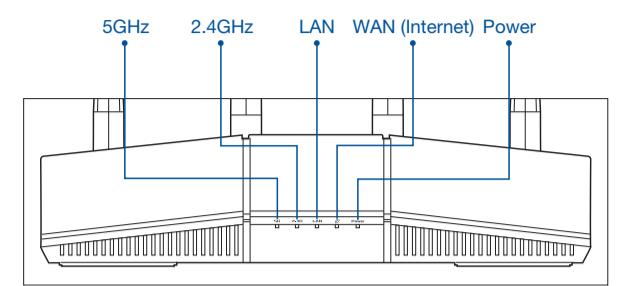


Hardware Explanations

I/O Ports Overview



LED Lights Overview



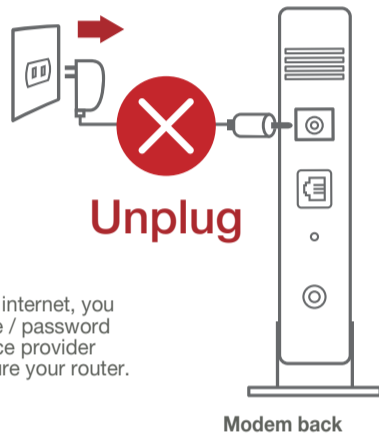
Specifications:

DC Power adapter	DC Output: +12V with 1A current DC Output: +12V with 2A current		
Operating Temperature	0~40°C	Storage	0~70°C
Operating Humidity	50~90%	Storage	20~90%

One Router Setup Steps WE SUGGEST...

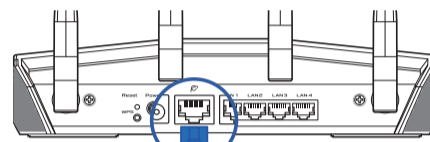
01 Prepare your Modem

- 1 Unplug the power of cable / DSL modem. If it has a battery backup, remove the battery.

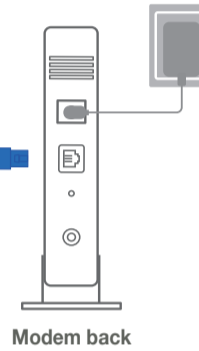


If you are using DSL for internet, you will need your username / password from your Internet service provider (ISP) to properly configure your router.

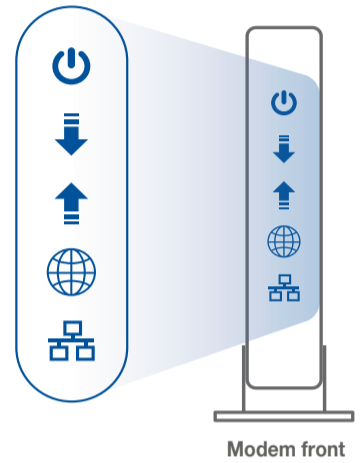
- 2 Connect your modem to WAN port at the back side of the router with the network cable provided.



- 3 Power on the modem. Plug modem to the power outlet and power on.

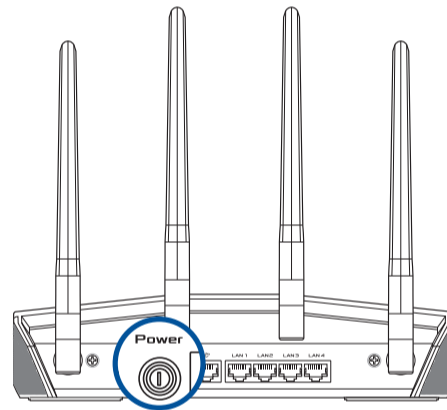


- 4 Check the modem LED lights to ensure the connection is active.



02 Install your Router

- 1 Plug the adapter into the DCIN port, and press the Power switch.



- 2 The power LED will light up when the hardware is ready.



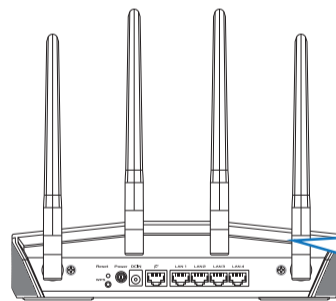
– via App

- 3 [App] On your iOS or Android mobile device, go to the app store, search for **ASUS Router**, and download the app.

ASUS Router



- 4 [App] On your iOS or Android mobile device, tap **Settings > Wi-Fi**, connect to the default network SSID shown on the product label on the back side of the router. Or scan the QR code on the product label to connect the default network SSID.

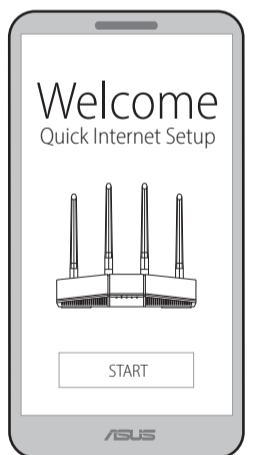


Network Name (SSID):

ASUS_XX

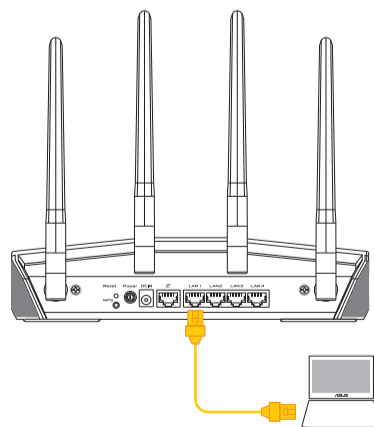
* XX refers to the last two digits of MAC address. You can find it on the label on the back of your router.

- 5 [App] Launch **ASUS Router App** and follow the instructions to complete the setup.



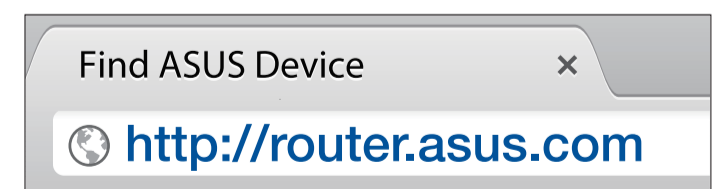
– or via Web Browser

- 3 [Wired] Connect your PC to LAN port at the back side of the router using an additional network cable.

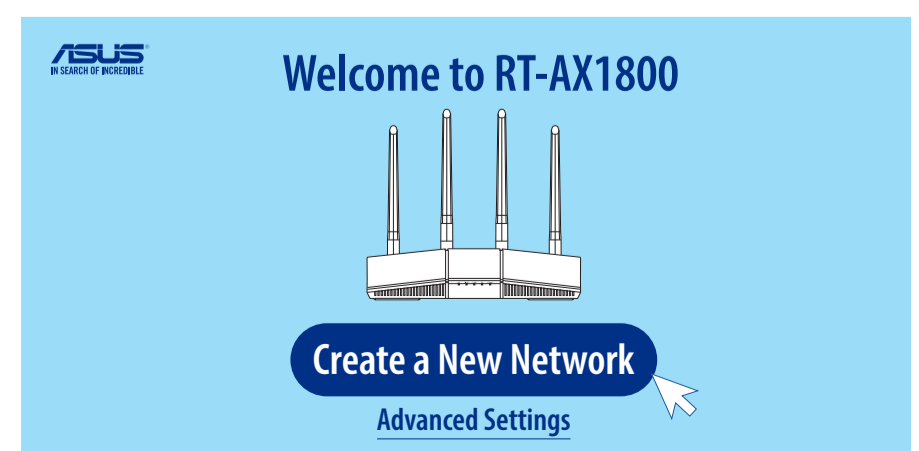
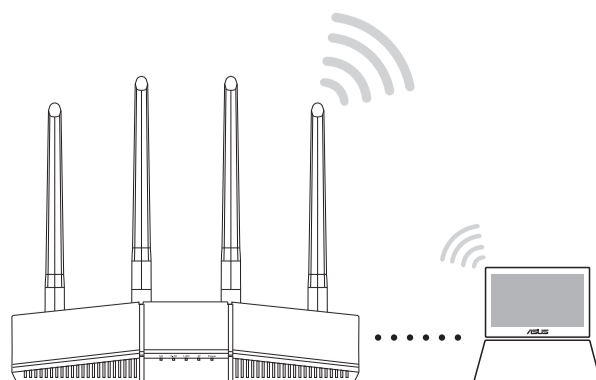


- 4 [Wired / Wireless] Open a web browser.

You will be redirected to the ASUS Setup Wizard. If not, navigate to <http://router.asus.com>. Follow the instructions to complete the setup.



[Wireless] Connect to the network with default SSID shown on the product label on the back side of your router "ASUS_XX".



FAQ FREQUENTLY ASKED QUESTIONS

Q1: Where can I find more information about the wireless router?

- Online FAQ site: <https://www.asus.com/Networking/RT-AX1800/HelpDesk/>
- Driver & Firmware update site: https://www.asus.com/Networking/RT-AX1800/HelpDesk_Download/
- Customer hotline: refer to the Networks Global Hotline Information section in this Quick Start Guide
- You can get the user manual online at https://www.asus.com/Networking/RT-AX1800/HelpDesk_Manual/

Networks Global Hotline Information

Area	Country/ Region	Hotline Number	Service Hours	
Europe	Cyprus	800-92491	09:00-13:00; 14:00-18:00 Mon-Fri	
	France	0033-170949400 0049-1805010920	09:00-18:00 Mon-Fri	
	Germany	0049-1805010923 (component support) 0049-2102959911 (Fax)	09:00-18:00 Mon-Fri 10:00-17:00 Mon-Fri	
	Hungary	0036-15054561	09:00-17:30 Mon-Fri	
	Italy	06 97626662	09:00-13:00; 14:00-18:00 Mon-Fri	
	Greece	00800-44142044	09:00-13:00; 14:00-18:00 Mon-Fri	
	Austria	0043-820240513	09:00-18:00 Mon-Fri	
	Netherlands/ Luxembourg	0031-591570290	09:00-17:00 Mon-Fri	
	Belgium	0032-78150231	09:00-17:00 Mon-Fri	
	Norway	0047-2316-2682	09:00-18:00 Mon-Fri	
	Sweden	0046-858769407	09:00-18:00 Mon-Fri	
	Finland	00358-969379690	10:00-19:00 Mon-Fri	
	Denmark	0045-38322943	09:00-18:00 Mon-Fri	
	Poland	0048-225718040	08:30-17:30 Mon-Fri	
	Spain	0034-902889688	09:00-18:00 Mon-Fri	
	Portugal	00351-707500310	09:00-18:00 Mon-Fri	
	Slovak Republic	00421-232162621	08:00-17:00 Mon-Fri	
	Czech Republic	00420-596766888	08:00-17:00 Mon-Fri	
	Switzerland-German	0041-848111010	09:00-18:00 Mon-Fri	
	Switzerland-French	0041-848111014	09:00-18:00 Mon-Fri	
Switzerland-Italian	0041-848111012	09:00-18:00 Mon-Fri		
United Kingdom	0044-1442265548	09:00-17:00 Mon-Fri		
Ireland	0035-31890719918	09:00-17:00 Mon-Fri		
Russia and CIS	008-800-100-ASUS	09:00-18:00 Mon-Fri		
Ukraine	0038-0445457727	09:00-18:00 Mon-Fri		
Australia	1300-278788	09:00-18:00 Mon-Fri		
New Zealand	0800-278788	09:00-18:00 Mon-Fri		
Japan	0800-1232787 0081-570783886 (Non-Toll Free)	09:00-19:00 Mon-Sun		
Asia-Pacific	Korea	0082-215666868	09:30-17:00 Mon-Fri	
	Thailand	0066-24011717 1800-8525201	09:00-18:00 Mon-Fri	
	Singapore	0065-64157917 0065-67203835 (Repair Status Only)	11:00-19:00 Mon-Fri 11:00-19:00 Mon-Fri 11:00-13:00 Sat	
	Malaysia	1300-88-3495	9:00-18:00 Mon-Fri	
	Philippine	1800-18550163	09:00-18:00 Mon-Fri	
	India	1800-2090365	09:00-18:00 Mon-Sat	
	India(WL/NW)		09:00-21:00 Mon-Sun	
	Indonesia	0062-2129495000 500128 (Local Only)	9:30 - 12:00 Sat	
	Vietnam	1900-555581	08:00-12:00 13:30-17:30 Mon-Sat	
	Hong Kong	00852-35824770	10:00-19:00 Mon-Sat	
	Taiwan	0800-093-456; 02-81439000	9:00-12:00 Mon-Fri; 13:30-18:00 Mon-Fri	
	Americas	USA	1-812-282-2787	8:30-12:00 EST Mon-Fri
		Canada		9:00-18:00 EST Sat-Sun
		Mexico	001-8008367847	08:00-20:00 CST Mon-Fri 08:00-15:00 CST Sat
	Middle East + Africa	Brazil	4003 0988 (Capital) 0800 880 0988 (demaix localidades)	9:00am-18:00 Mon-Fri
Egypt		800-2787349	09:00-18:00 Sun-Thu	
Saudi Arabia		800-1212787	09:00-18:00 Sat-Wed	
UAE		00971-42958941	09:00-18:00 Sun-Thu	
Turkey		0090-2165243000	09:00-18:00 Mon-Fri	
South Africa		0861-278772	08:00-17:00 Mon-Fri	
Israel		*6557/00972-39142800 *9770/00972-35598555	08:00-17:00 Sun-Thu 08:30-17:30 Sun-Thu	
Balkan Countries	Romania	0040-213301786	09:00-18:30 Mon-Fri	
	Bosnia Herzegovina	00387-33773163	09:00-17:00 Mon-Fri	
	Bulgaria	00359-70014411 00359-29889170	09:30-18:30 Mon-Fri 09:30-18:00 Mon-Fri	
	Croatia	00385-16401111	09:00-17:00 Mon-Fri	
	Montenegro	00382-20608251	09:00-17:00 Mon-Fri	
	Serbia	00381-112070677	09:00-17:00 Mon-Fri	
Baltic Countries	Slovenia	00368-59045400 00368-59045401	08:00-16:00 Mon-Fri	
	Estonia	00372-6671796	09:00-18:00 Mon-Fri	
	Latvia	00371-67408838	09:00-18:00 Mon-Fri	
	Lithuania-Kaunas Lithuania-Vilnius	00370-37329000 00370-522101160	09:00-18:00 Mon-Fri 09:00-18:00 Mon-Fri	



NOTES:

- UK support e-mail: network_support_uk@asus.com
- For more information, visit the ASUS support site at: <https://www.asus.com/support/>

ASUS Recycling/Takeback Services

ASUS recycling and takeback programs come from our commitment to the highest standards for protecting our environment. We believe in providing solutions for you to be able to responsibly recycle our products, batteries, other components, as well as the packaging materials. Please go to <http://csr.asus.com/english/Takeback.htm> for the detailed recycling information in different regions.

REACH

Complying with the REACH (Registration, Evaluation, Authorisation, and Restriction of Chemicals) regulatory framework, we published the chemical substances in our products at ASUS REACH website at <http://csr.asus.com/english/REACH.htm>

Federal Communications Commission Statement

This device complies with Part 15 of the FCC Rules. Operation is subject to the following two conditions:

- This device may not cause harmful interference.
- This device must accept any interference received, including interference that may cause undesired operation.

This equipment has been tested and found to comply with the limits for a class B digital device, pursuant to part 15 of the FCC Rules. These limits are designed to provide reasonable protection against harmful interference in a residential installation.

This equipment generates, uses and can radiate radio frequency energy and, if not installed and used in accordance with the instructions, may cause harmful interference to radio communications. However, there is no guarantee that interference will not occur in a particular installation. If this equipment does cause harmful interference to radio or television reception, which can be determined by turning the equipment off and on, the user is encouraged to try to correct the interference by one or more of the following measures:

- Reorient or relocate the receiving antenna.
- Increase the separation between the equipment and receiver.
- Connect the equipment into an outlet on a circuit different from that to which the receiver is connected.
- Consult the dealer or an experienced radio/TV technician for help.



WARNING! Any changes or modifications not expressly approved by the party responsible for compliance could void the user's authority to operate the equipment.

Prohibition of Co-location

This device and its antenna(s) must not be co-located or operating in conjunction with any other antenna or transmitter.

IMPORTANT NOTE:

Radiation Exposure Statement: This equipment complies with FCC radiation exposure limits set forth for an uncontrolled environment. End users must follow the specific operating instructions for satisfying RF exposure compliance. To maintain compliance with FCC exposure compliance requirement, please follow operation instruction as documented in this manual. This device is restricted for indoor use.



WARNING! This equipment must be installed and operated in accordance with provided instructions and the antenna(s) used for this transmitter must be installed to provide a separation distance of at least 21cm from all persons and must not be co-located or operating in conjunction with any other antenna or transmitter.

Compliance Statement of Innovation, Science and Economic Development Canada (ISED)

This device complies with Innovation, Science and Economic Development Canada licence exempt RSS standard(s). Operation is subject to the following two conditions: (1) this device may not cause interference, and (2) this device must accept any interference, including interference that may cause undesired operation of the device.

Operation in the band 5150-5250 MHz is only for indoor use to reduce the potential for harmful interference to co-channel mobile satellite systems.

CAN ICES-003(B)/NMB-003(B)

Radio Frequency (RF) Exposure Information

The radiated output power of the ASUS Wireless Device is below the Innovation, Science and Economic Development Canada radio frequency exposure limits. The ASUS Wireless Device should be used in such a manner such that the potential for human contact during normal operation is minimized.

This equipment should be installed and operated with a minimum distance of 24cm between the radiator any part of your body.

This device has been certified for use in Canada. Status of the listing in the Innovation, Science and Economic Development Canada's REL (Radio Equipment List) can be found at the following web address:

http://www.ic.gc.ca/eic/site/ceb-bhst.nsf/eng/h_tt00020.html

Additional Canadian information on RF exposure also can be found at the following web:

<https://www.ic.gc.ca/eic/site/smt-gst.nsf/eng/sf08792.html>

Déclaration de conformité de Innovation, Sciences et Développement économique Canada (ISED)

Le présent appareil est conforme aux CNR d'Innovation, Sciences et Développement économique Canada applicables aux appareils radio exempts de licence. L'exploitation est autorisée aux deux conditions suivantes : (1) l'appareil ne doit pas produire de brouillage, et (2) l'utilisateur de l'appareil doit accepter tout brouillage radioélectrique subi, même si le brouillage est susceptible d'en compromettre le fonctionnement.

La bande 5150 - 5250 MHz est réservée uniquement pour une utilisation à l'intérieur afin de réduire les risques de brouillage préjudiciable aux systèmes de satellites mobiles utilisant les mêmes canaux.

CAN ICES-003(B)/NMB-003(B)

Informations concernant l'exposition aux fréquences radio (RF)

La puissance de sortie émise par cet appareil sans fil est inférieure à la limite d'exposition aux fréquences radio d'Innovation, Sciences et Développement économique du Canada (ISED). Utilisez l'appareil sans fil de façon à minimiser les contacts humains lors d'un fonctionnement normal.

Cet équipement doit être installé et utilisé avec un minimum de 24cm de distance entre la source de rayonnement et votre corps.

L'utilisation de cet appareil est autorisée au Canada. Pour consulter l'entrée correspondant à l'appareil dans la liste d'équipement radio (REL - Radio Equipment List) d'Innovation, Sciences et Développement économique du Canada, rendez-vous sur : http://www.ic.gc.ca/eic/site/ceb-bhst.nsf/eng/h_tt00020.html

Pour des informations supplémentaires concernant l'exposition aux fréquences radio au Canada, rendez-vous sur : <https://www.ic.gc.ca/eic/site/smt-gst.nsf/eng/sf08792.html>

This radio transmitter [3568A-RTAX8A00] has been approved by Innovation, Science and Economic Development Canada to operate with the antenna types listed below, with the maximum permissible gain indicated. Antenna types not included in this list that have a gain greater than the maximum gain indicated for any type listed are strictly prohibited for use with this device.

Le présent émetteur radio (3568A-RTAX8A00) a été approuvé par Innovation, Sciences et Développement économique Canada pour fonctionner avec les types d'antenne énumérés ci-dessous et ayant un gain admissible maximal d'antenne. Les types d'antennes non inclus dans cette liste qui ont un gain supérieur au gain maximal indiqué pour tout type listé sont strictement interdits pour une utilisation avec cet appareil.

Antenna list

Ant.	Brand	Part No.	Antenna Type	Connector	Gain (dBi)	
					2.4GHz	5GHz
1	RF Link	RF21C05434A	Dipole Antenna	N/A	2	-
2	RF Link	RF21C05435A	Dipole Antenna	N/A	2	-
3	RF Link	RF21C05436A	Dipole Antenna	I-PEX	-	2
4	RF Link	RF21C05437A	Dipole Antenna	I-PEX	-	2

The maximum antenna gain permitted for devices in the bands 5250-5350 MHz and 5470-5725 MHz shall be such that the equipment still complies with the e.i.r.p. limit.

le gain maximal d'antenne permis pour les dispositifs utilisant les bandes 5250-5350 MHz et

5470-5725 MHz doit se conformer à la limite de p.i.r.e.

The maximum antenna gain permitted for devices in the band 5725-5850 MHz shall be such that the equipment still complies with the e.i.r.p. limits specified for point-to-point and non-point-to-point operation as appropriate.

le gain maximal d'antenne permis (pour les dispositifs utilisant la bande 5725-5850 MHz)

doit se conformer à la limite de p.i.r.e. spécifiée pour l'exploitation point à point et non point à point, selon le cas.

For indoor use only.

Pour une utilisation en intérieur uniquement.

Safety Notices

- Use this product in environments with ambient temperatures between 0°C (32°F) and 40°C (104°F).
- Refer to the rating label on the bottom of your product and ensure your power adapter complies with this rating.
- DO NOT place on uneven or unstable work surfaces. Seek servicing if the casing has been damaged.
- DO NOT place or drop objects on top and do not shove any foreign objects into the product.
- DO NOT expose to or use near liquids, rain, or moisture. DO NOT use the modem during electrical storms.
- DO NOT cover the vents on the product to prevent the system from getting overheated.
- DO NOT use damaged power cords, accessories, or other peripherals.
- If the Adapter is broken, do not try to fix it by yourself. Contact a qualified service technician or your retailer.
- To prevent electrical shock hazard, disconnect the power cable from the electrical outlet before relocating the system.
- DO NOT mount this equipment higher than 2 meters.

- Utilisez ce produit dans un environnement dont la température ambiante est comprise entre 0°C (32°F) et 40°C (104°F).
- Référez-vous à l'étiquette située au dessous du produit pour vérifier que l'adaptateur secteur répond aux exigences de tension.
- NE PAS placer sur une surface irrégulière ou instable. Contactez le service après-vente si le châssis a été endommagé.
- NE PAS placer, faire tomber ou insérer d'objets sur/dans le produit.
- NE PAS exposer l'appareil à la pluie ou à l'humidité, tenez-le à distance des liquides. NE PAS utiliser le modem lors d'un orage.
- NE PAS bloquer les ouvertures destinées à la ventilation du système pour éviter que celui-ci ne surchauffe.
- NE PAS utiliser de cordons d'alimentation, d'accessoires ou autres périphériques endommagés.
- Si l'adaptateur est endommagé, n'essayez pas de le réparer vous-même. Contactez un technicien électrique qualifié ou votre revendeur.
- Pour éviter tout risque de choc électrique, débranchez le câble d'alimentation de la prise électrique avant de toucher au système.
- NE PAS monter cet équipement à plus de 2 mètres.