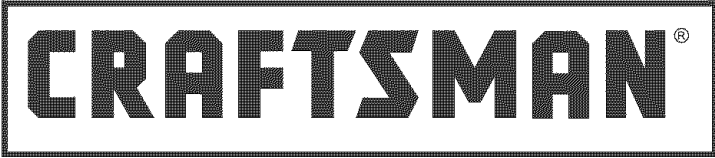
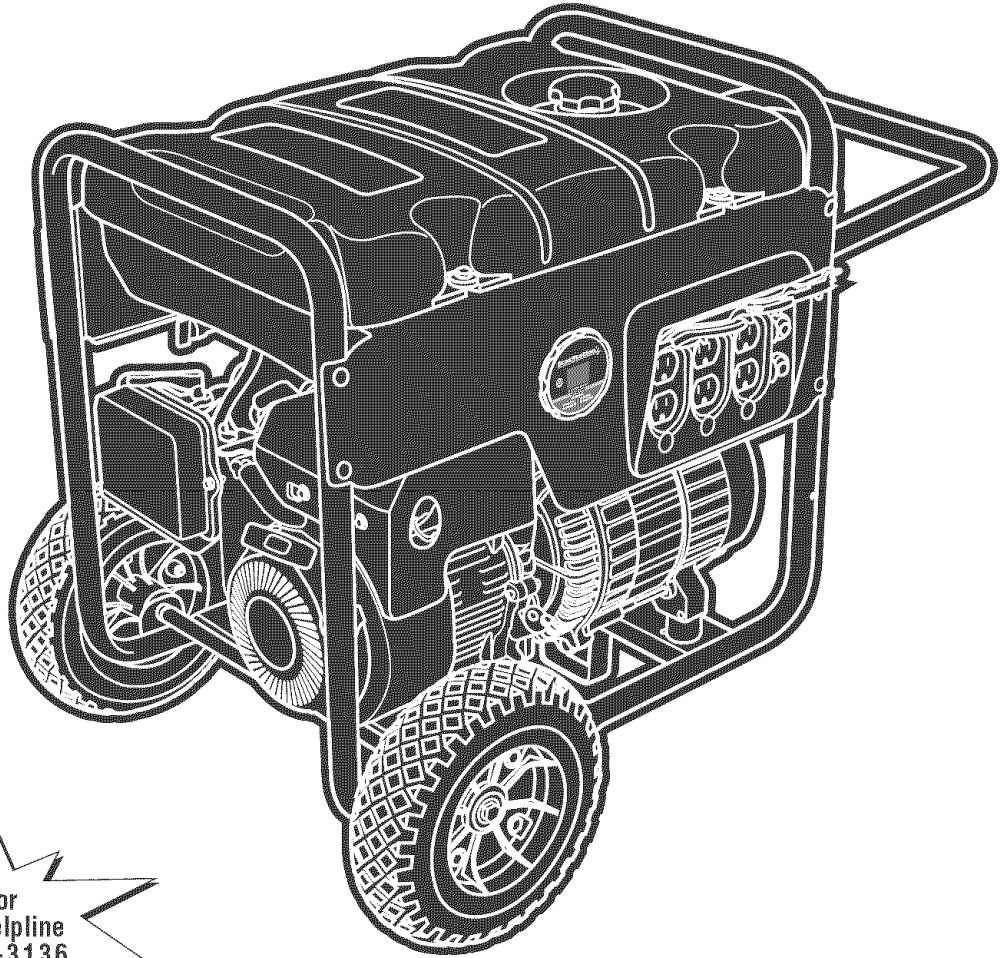


# Operator's Manual



## AC Generator 3600 Watt

Model No.  
580.327360



Generator  
Customer Helpline  
1-800-222-3136

HOURS: Mon. - Fri. 8 a.m. to 5 p.m. (CT)

 <b>WARNING</b>
Before using this product, read this manual and follow all Safety Rules and Operating Instructions.

 <b>ADVERTENCIA</b>
Antes de utilizar el producto, lea este manual y siga todas las Reglas de Seguridad e Instrucciones de Uso.

- Safety
- Assembly
- Operation
- Maintenance
- Parts
- Español, p. 36

Sears, Roebuck and Co., Hoffman Estates, IL 60179 U.S.A.  
Visit our Craftsman website: [www.craftsman.com](http://www.craftsman.com)

Part No. 202384GS Draft B (04/16/2007)



## TABLE OF CONTENTS

WARRANTY .....	2	TROUBLESHOOTING .....	20
SAFETY RULES .....	3-5	NOTES .....	21 & 33
FEATURES AND CONTROLS .....	6	SCHEMATIC/WIRING DIAGRAM .....	22-23
ASSEMBLY .....	7-9	REPLACEMENT PARTS .....	24-32
OPERATION .....	10-13	EMISSIONS SYSTEM WARRANTY .....	34-35
SPECIFICATIONS .....	14	ESPAÑOL .....	36-59
MAINTENANCE .....	15-18	HOW TO ORDER PARTS .....	BACK PAGE
STORAGE .....	19		

## WARRANTY

### One-Year Full Warranty on Craftsman Generator

If this generator fails due to a defect in material or workmanship within one year from the date of purchase, return it to any Sears store, other Craftsman outlet, or Sears Parts & Repair Center in the United States for free repair (or replacement if repair proves impossible).

#### Additional One-Year Limited Warranty on Craftsman Generator

For the second year from the date of purchase, if any part of this generator fails due to a defect in material or workmanship, a new part will be supplied free of charge. You must pay the labor cost if you wish to have it installed.

All warranty coverage applies for only 90 days from date of purchase if this generator is used for commercial or rental purposes. Once a generator has experienced commercial or rental use, it shall thereafter be considered a commercial or rental generator for the purpose of this warranty.

This warranty gives you specific legal rights, and you may also have other rights which vary from state to state.

**Sears, Roebuck and Co., D/817WA, Hoffman Estates, IL 60179 U.S.A.**

# SAFETY RULES



This is the safety alert symbol. It is used to alert you to potential personal injury hazards. Obey all safety messages that follow this symbol to avoid possible injury or death.



Read this manual carefully and become familiar with your generator. Know its applications, its limitations, and any hazards involved.

The safety alert symbol (▲) is used with a signal word (DANGER, CAUTION, WARNING), a pictorial and/or a safety message to alert you to hazards. **DANGER** indicates a hazard which, if not avoided, *will* result in death or serious injury. **WARNING** indicates a hazard which, if not avoided, *could* result in death or serious injury. **CAUTION** indicates a hazard which, if not avoided, *might* result in minor or moderate injury. **NOTICE** indicates a situation that could result in equipment damage. Follow safety messages to avoid or reduce the risk of injury or death.



## WARNING

The engine exhaust from this product contains chemicals known to the State of California to cause cancer, birth defects, or other reproductive harm.

## Hazard Symbols and Meanings



A - Explosion  
B - Fire  
C - Electric Shock  
D - Toxic Fumes  
E - Kickback  
F - Hot Surface

G - Flying Objects  
H - Explosive Pressure  
J - Chemical Burn  
K - Hazardous Chemical  
L - Moving Parts  
M - Read Manual



## DANGER



Contents are HARMFUL OR FATAL IF SWALLOWED. Avoid contact to eyes, skin or clothing. DO NOT take internally. Avoid breathing the mist or vapor. Overexposure to eyes or skin can cause irritation. Keep stabilizer out of the reach of children.



Fuel stabilizer is a hazardous chemical. \* \*

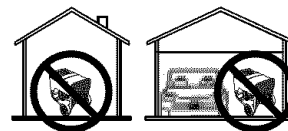
- Fresh Start™ fuel cap is designed to hold a cartridge which contains fuel stabilizer.
- If SWALLOWED, call physician immediately. DO NOT induce vomiting. If inhaled, remove to fresh air. In case of eye or skin contact, flush with water for 15 minutes.
- Store unopened cartridges in a cool, dry, well ventilated area. Keep open cartridge in fuel cap, and fuel cap closed on fuel tank when not in use.
- In the case of an emergency, contact a physician immediately and call 1-800-424-9300 for material safety information.

\* \* Fuel stabilizer contains: 2,6-di-tert-butylphenol (128-39-2) and aliphatic petroleum distillate (64742-47-8).

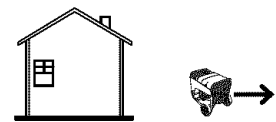
## ▲ DANGER

Using a generator indoors CAN KILL YOU IN MINUTES.

Generator exhaust contains carbon monoxide. This is a poison you cannot see or smell.



NEVER use inside a home or garage, EVEN IF doors and windows are open.



Only use OUTSIDE and far away from windows, doors, and vents.





## WARNING








Running engine gives off carbon monoxide, an odorless, colorless, poison gas.



Breathing carbon monoxide can cause headache, fatigue, dizziness, vomiting, confusion, seizures, nausea, fainting or death.




- Operate generator ONLY outdoors.
- Install a battery operated carbon monoxide alarm near the bedrooms.
- Keep exhaust gas from entering a confined area through windows, doors, ventilation intakes, or other openings.
- DO NOT start or run engine indoors or in an enclosed area, (even if windows and doors are open), including the generator compartment of a recreational vehicle (RV).

 <b>WARNING</b>	
	<p>Generator produces hazardous voltage.</p> <p>Failure to isolate generator from power utility can result in death or injury to electric utility workers due to backfeed of electrical energy.</p>
<ul style="list-style-type: none"> <li>• When using generator for backup power, notify utility company. Use approved transfer equipment to isolate generator from electric utility.</li> <li>• Use a ground fault circuit interrupter (GFCI) in any damp or highly conductive area, such as metal decking or steel work.</li> <li>• DO NOT touch bare wires or receptacles.</li> <li>• DO NOT use generator with electrical cords which are worn, frayed, bare or otherwise damaged.</li> <li>• DO NOT operate generator in the rain or wet weather.</li> <li>• DO NOT handle generator or electrical cords while standing in water, while barefoot, or while hands or feet are wet.</li> <li>• DO NOT allow unqualified persons or children to operate or service generator.</li> </ul>	

 <b>WARNING</b>	
	<p>Contact with muffler area can result in serious burns.</p>
	<p>Exhaust heat/gases can ignite combustibles, structures or damage fuel tank causing a fire.</p>
<ul style="list-style-type: none"> <li>• DO NOT touch hot parts and AVOID hot exhaust gases.</li> <li>• Allow equipment to cool before touching.</li> <li>• Keep at least 5 feet (1.5 m) of clearance on all sides of generator including overhead.</li> <li>• Code of Federal Regulation (CFR) Title 36 Parks, Forests, and Public Property require equipment powered by an internal combustion engine to have a spark arrester, maintained in effective working order, complying to USDA Forest service standard 5100-1C or later revision. In the State of California a spark arrester is required under section 4442 of the California Public resources code. Other states may have similar laws.</li> </ul>	

 <b>WARNING</b>	
	<p>Starter and other rotating parts can entangle hands, hair, clothing, or accessories.</p>
<ul style="list-style-type: none"> <li>• NEVER operate generator without protective housing or covers.</li> <li>• DO NOT wear loose clothing, jewelry or anything that may be caught in the starter or other rotating parts.</li> <li>• Tie up long hair and remove jewelry.</li> </ul>	

 <b>WARNING</b>	
	<p>Starter cord kickback (rapid retraction) can result in bodily injury. Kickback will pull hand and arm toward engine faster than you can let go.</p> <p>Broken bones, fractures, bruises, or sprains could result.</p>
<ul style="list-style-type: none"> <li>• When starting engine, pull cord slowly until resistance is felt and then pull rapidly to avoid kickback.</li> <li>• NEVER start or stop engine with electrical devices plugged in and turned on.</li> </ul>	

 <b>WARNING</b>	
	<p>Fuel and its vapors are extremely flammable and explosive.</p>
	<p>Fire or explosion can cause severe burns or death.</p>

**WHEN ADDING OR DRAINING FUEL**

- Turn generator OFF and let it cool at least 2 minutes before removing fuel cap. Loosen cap slowly to relieve pressure in tank.
- Fill or drain fuel tank outdoors.
- DO NOT overfill tank. Allow space for fuel expansion.
- If fuel spills, wait until it evaporates before starting engine.
- Keep fuel away from sparks, open flames, pilot lights, heat, and other ignition sources.
- DO NOT light a cigarette or smoke.

**WHEN STARTING EQUIPMENT**

- Ensure spark plug, muffler, fuel cap, and air cleaner are in place.
- DO NOT crank engine with spark plug removed.

**WHEN OPERATING EQUIPMENT**


- DO NOT tip engine or equipment at angle which causes fuel to spill.
- This generator is not for use in mobile equipment or marine applications.

**WHEN TRANSPORTING OR REPAIRING EQUIPMENT**

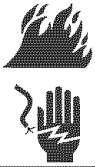
- Transport/repair with fuel tank EMPTY or with fuel shutoff valve OFF.
- Disconnect spark plug wire.

**WHEN STORING FUEL OR EQUIPMENT WITH FUEL IN TANK**

- Store away from furnaces, stoves, water heaters, clothes dryers, or other appliances that have pilot light or other ignition source because they can ignite fuel vapors.

 <b>WARNING</b>	
<ul style="list-style-type: none"> <li>• This generator does not meet U. S. Coast Guard Regulation 33CFR-183 and should not be used on marine applications.</li> <li>• Failure to use the appropriate U. S. Coast Guard approved generator could result in death or serious injury and/or property damage.</li> </ul>	

**! WARNING**



Unintentional sparking can result in fire or electric shock.

**WHEN ADJUSTING OR MAKING REPAIRS TO YOUR GENERATOR**

- Disconnect the spark plug wire from the spark plug and place the wire where it cannot contact spark plug.

**WHEN TESTING FOR ENGINE SPARK**

- Use approved spark plug tester.
- DO NOT check for spark with spark plug removed.

**! CAUTION**

Excessively high operating speeds increase risk of injury and damage to generator.

Excessively low speeds impose a heavy load.

- DO NOT tamper with governed speed. Generator supplies correct rated frequency and voltage when running at governed speed.
- DO NOT modify generator in any way.

**NOTICE**

Exceeding generators wattage/amperage capacity can damage generator and/or electrical devices connected to it.

- DO NOT exceed the generator's wattage/amperage capacity. See *Don't Overload Generator* in the *Operation* section.
- Start generator and let engine stabilize before connecting electrical loads.
- Connect electrical loads in OFF position, then turn ON for operation.
- Turn electrical loads OFF and disconnect from generator before stopping generator.

**NOTICE**

Improper treatment of generator can damage it and shorten its life.

- Use generator only for intended uses.
- If you have questions about intended use, ask dealer or contact local service center.
- Operate generator only on level surfaces.
- DO NOT expose generator to excessive moisture, dust, dirt, or corrosive vapors.
- DO NOT insert any objects through cooling slots.
- If connected devices overheat, turn them off and disconnect them from generator.
- Shut off generator if:
  - electrical output is lost;
  - equipment sparks, smokes, or emits flames;
  - unit vibrates excessively.

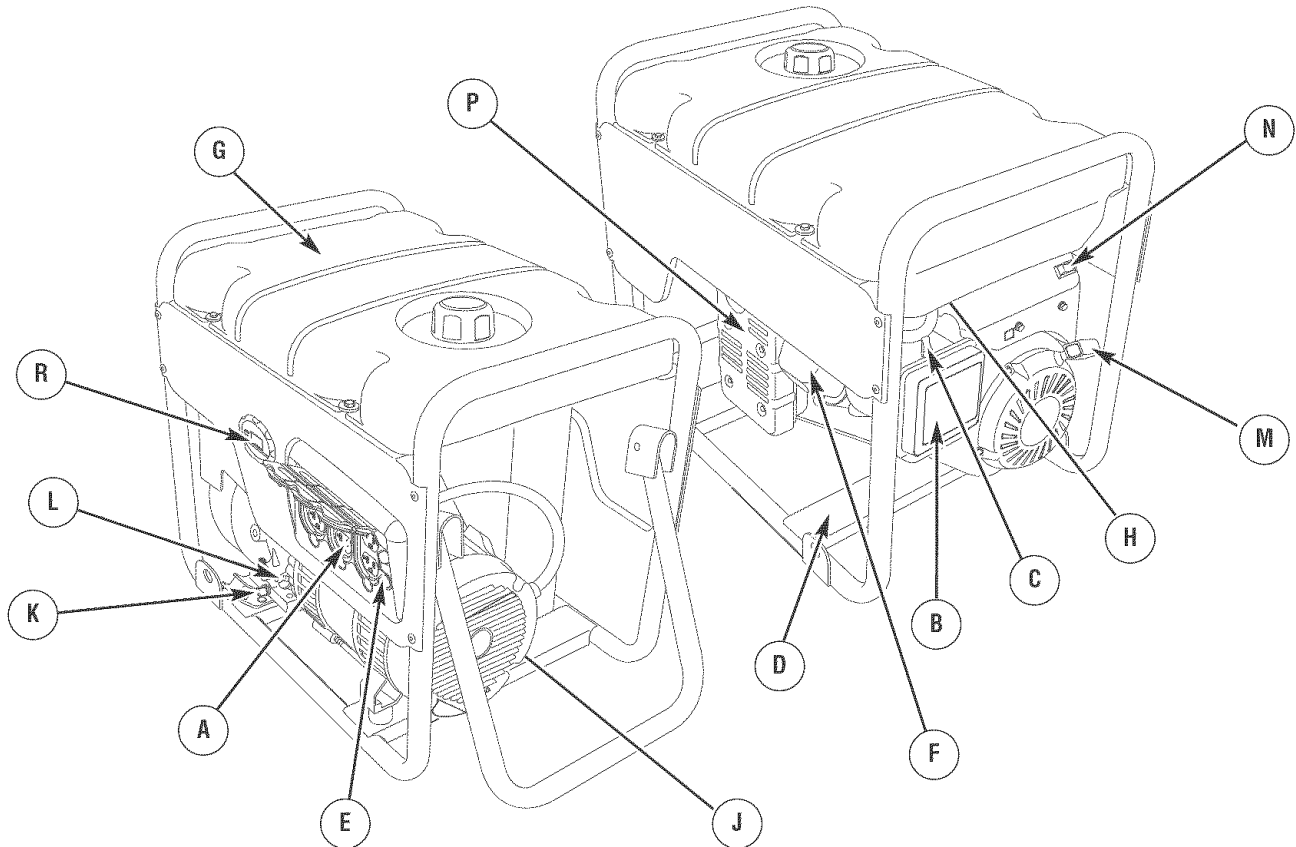
# FEATURES AND CONTROLS

## Know Your Generator



**Read the Operator's Manual and safety rules before operating your generator.**

Compare the illustrations with your generator to familiarize yourself with the locations of various controls and adjustments. Save this manual for future reference.



**A - 120 Volt AC, 20 Amp, Duplex Receptacles** — May be used to supply electrical power for the operation of 120 Volt AC, 20 Amp, single phase, 60 Hz electrical, lighting, appliance, tool, and motor loads.

**B - Air Cleaner** — Protects engine by filtering dust and debris out of intake air.

**C - Choke Lever** — Used when starting a cold engine.

**D - Data Tag** — Provides model, revision, and serial number of generator. Please have these readily available when calling for assistance.

**E - Circuit Breakers (AC)** — Push-to-reset circuit breakers are provided to protect the generator against electrical overload.

**F - Engine Identification** — Provides model, type and code of engine. Please have these readily available if calling for assistance.

**G - Fuel Tank** — Capacity of four (4) U.S. gallons (15 L).

**H - Fuel Valve** — Used to turn fuel supply on and off to engine.

**J - Grounding Fastener** — Consult your local agency having jurisdiction for grounding requirements in your area.

**K - Oil Drain Plug** — Drain engine oil here.

**L - Oil Fill Cap** — Check and fill engine with oil here.

**M - Recoil Starter** — Used to start the engine.

**N - Rocker Switch** — Set this switch to “**On**” before using recoil starter. Set switch to “**Off**” to stop engine.

**P - Spark Arrester Muffler** — Exhaust muffler lowers engine noise and is equipped with a spark arrester screen.

**R - StatStation™** — Displays the nominal load on generator based on output frequency. It also has a built in maintenance reminder.

# ASSEMBLY

Your Craftsman generator requires some assembly and is ready for use only after it has been properly serviced with the recommended oil and fuel.

**If you have any problems with the assembly of your generator, please call the generator helpline at 1-800-222-3136.**

## Unpack Generator

1. Set the carton on a rigid, flat surface.
2. Remove everything from carton except generator.
3. Open carton completely by cutting each corner from top to bottom.
4. Leave generator on carton to install wheel kit.

## Carton Contents

Check all contents against those listed below:

- Main unit
- Engine oil
- Operator's manual
- Wheel kit
- Adapter cord set

If any parts are missing or damaged, call the generator helpline at **1-800-222-3136**.

## Install Wheel Kit

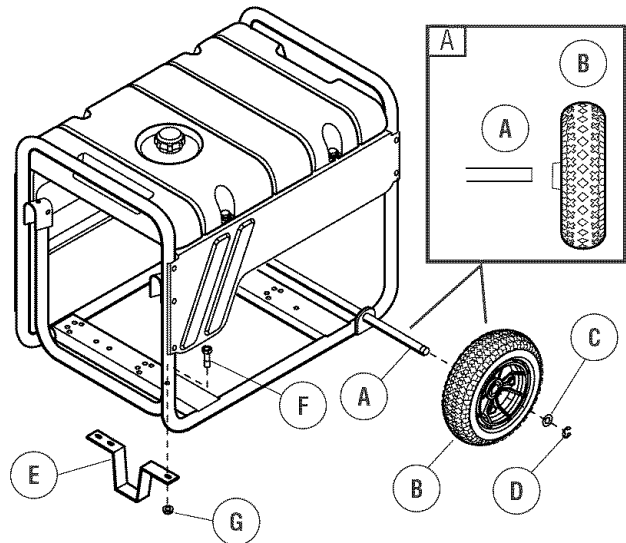
**NOTE:** Wheel kit is not intended for over-the-road use. **DO NOT** tow this unit with a motorized vehicle.

You will need the following tools to install these components:

- 13mm wrench
- Socket wrench with a 13mm socket
- Pliers
- Safety glasses

### Install the Wheel Kit as Follows:

1. Tip generator so that engine end is up.
2. Slide axle (A) through both mounting brackets.
3. Place a wheel (B) on each side as shown.



4. Place a washer (C) on axle and then place an e-ring (D) in axle groove.
5. Install e-ring with pliers, squeezing from top of e-ring to bottom of axle.

 <b>CAUTION</b>	
	E-rings can cause eye injury. E-rings can spring back and become airborne when installing or removing.
• Always wear eye protection when installing/removing e-rings.	

6. Repeat steps 4 and 5 to secure second wheel.
7. Tip generator so that engine side is down.
8. Line up holes in support leg (E) with holes in generator frame.
9. Attach support leg using two short capscrews (M8 x 16 mm) (F) and two locking hex nuts (G). Tighten with a 13 mm socket and wrench.
10. Return generator to normal operating position (resting on wheels and support leg).

# Before Starting the Generator

## Add Engine Oil

1. Place generator on a level surface.
2. Clean area around oil fill and remove yellow oil fill cap.

**NOTE:** See the section *Oil* to review oil recommendations. Verify provided oil bottle is correct viscosity for current ambient temperature.

3. Using oil funnel (optional), slowly pour entire contents of provided oil bottle (18 oz.) into oil fill opening.

<b>NOTICE</b>
Improper treatment of generator can damage it and shorten its life.
<ul style="list-style-type: none"> <li>• DO NOT attempt to crank or start the engine before it has been properly serviced with the recommended oil. This may result in an engine failure.</li> </ul>

4. Replace oil fill cap and fully tighten.




## Add Fuel

**Fuel must meet these requirements:**

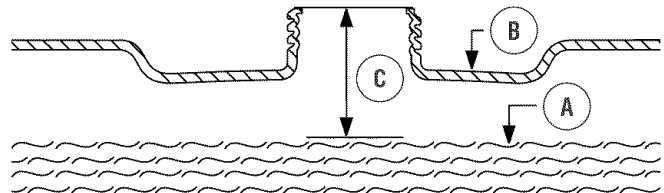
- Clean, fresh, unleaded gasoline.
- A minimum of 87 octane/87 AKI (91 RON). High altitude use, see *High Altitude*.
- Gasoline with up to 10% ethanol (gasohol) or up to 15% MTBE (methyl tertiary butyl ether) is acceptable.

<b>NOTICE</b>
Avoid generator damage.
Failure to follow Operator's Manual for fuel recommendations voids warranty.
<ul style="list-style-type: none"> <li>• DO NOT use unapproved gasoline such as E85.</li> <li>• DO NOT mix oil in gasoline.</li> <li>• DO NOT modify engine to run on alternate fuels.</li> </ul>

To protect the fuel system from gum formation, mix in a fuel stabilizer when adding fuel. See *Storage*. All fuel is not the same. If you experience starting or performance problems after using fuel, switch to a different fuel provider or change brands. This engine is certified to operate on gasoline. The emission control system for this engine is EM (Engine Modifications).

 <b>WARNING</b>	
	Fuel and its vapors are extremely flammable and explosive.
	Fire or explosion can cause severe burns or death.
<b>WHEN ADDING FUEL</b>	
<ul style="list-style-type: none"> <li>• Turn generator OFF and let it cool at least 2 minutes before removing fuel cap. Loosen cap slowly to relieve pressure in tank.</li> <li>• Fill fuel tank outdoors.</li> <li>• DO NOT overfill tank. Allow space for fuel expansion.</li> <li>• If fuel spills, wait until it evaporates before starting engine.</li> <li>• Keep fuel away from sparks, open flames, pilot lights, heat, and other ignition sources.</li> <li>• DO NOT light a cigarette or smoke.</li> </ul>	




1. Clean area around fuel fill cap, remove cap.
2. Slowly add unleaded gasoline (A) to fuel tank (B). Be careful not to overfill. Allow about 1.5" (4 cm) of tank space (C) for fuel expansion.



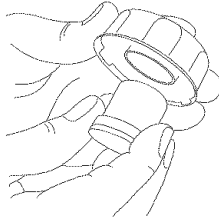
3. Install fuel cap and let any spilled fuel evaporate before starting engine.

## Fresh Start™ Fuel Cap

Adding fuel preserver helps keep fuel fresh and carburetors clean for easier starting, all season long. This new fuel cap automatically drips concentrated fuel preserver into your fuel tank.

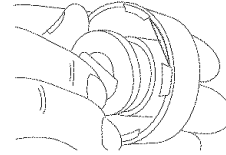
 <b>DANGER</b>	
	Contents are <b>HARMFUL OR FATAL IF SWALLOWED</b> . Avoid contact to eyes, skin or clothing. <b>DO NOT</b> take internally. Avoid breathing the mist or vapor. Overexposure to eyes or skin can cause irritation. Keep stabilizer out of the reach of children.
	
Fuel stabilizer is a hazardous chemical. **	
<ul style="list-style-type: none"><li>• If <b>SWALLOWED</b>, call physician immediately.</li><li>• In the case of an emergency, contact a physician immediately and call 1-800-424-9300 for material safety information.</li></ul>	
<small>**Fuel stabilizer contains: 2,6-di-tert-butylphenol (128-39-2) and aliphatic petroleum distillate (64742-47-8).</small>	

1. Place cartridge into fuel cap.



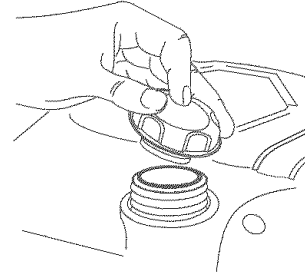
2. Push to “snap” cartridge into place.

3. Remove tab to expose membrane.



**IMPORTANT:** DO NOT remove the silver foil seal on the opposite side.

4. Reinstall fuel cap on fuel tank.



5. Periodically check the cartridge to ensure there is still fuel preserver inside. If it is empty, remove cartridge and replace.

### High Altitude

At altitudes over 5,000 feet (1524 meters), a minimum 85 octane / 85 AKI (89 RON) gasoline is acceptable. To remain emissions compliant, high altitude adjustment is required. Operation without this adjustment will cause decreased performance, increased fuel consumption, and increased emissions. See a qualified Sears dealer for high altitude adjustment information. Operation of the engine at altitudes below 2,500 feet (762 meters) with the high altitude kit is not recommended.

# OPERATION

## How to Use Your Generator

If you have any problems operating your generator after reading the manual, please call the generator helpline at 1-800-222-3136.

### System Ground

The generator has a system ground that connects the generator frame components to the ground terminals on the AC output receptacles. The system ground is connected to the AC neutral wire (the neutral is bonded to the generator frame).



### Special Requirements

There may be Federal or State Occupational Safety and Health Administration (OSHA) regulations, local codes, or ordinances that apply to the intended use of the generator. Please consult a qualified electrician, electrical inspector, or the local agency having jurisdiction.

- In some areas, generators are required to be registered with local utility companies.
- If the generator is used at a construction site, there may be additional regulations which must be observed.



### Connecting to a Building's Electrical System

Connections for standby power to a building's electrical system must be made by a qualified electrician. The connection must isolate the generator power from utility power, and must comply with all applicable laws and electrical codes.




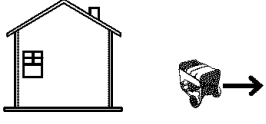
 <b>WARNING</b>	
	Generator produces hazardous voltage. Failure to isolate generator from power utility can result in death or injury to electric utility workers due to backfeed of electrical energy.
<ul style="list-style-type: none"><li>• When using generator for backup power, notify utility company. Use approved transfer equipment to isolate generator from electric utility.</li><li>• Use a ground fault circuit interrupter (GFCI) in any damp or highly conductive area, such as metal decking or steel work.</li><li>• DO NOT touch bare wires or receptacles.</li><li>• DO NOT use generator with electrical cords which are worn, frayed, bare or otherwise damaged.</li><li>• DO NOT operate generator in the rain or wet weather.</li><li>• DO NOT handle generator or electrical cords while standing in water, while barefoot, or while hands or feet are wet.</li><li>• DO NOT allow unqualified persons or children to operate or service generator.</li></ul>	

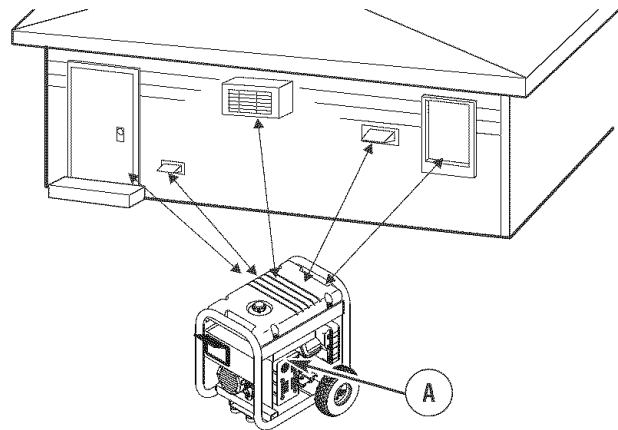
## Generator Location

### Generator Clearance

 <b>WARNING</b>	
	Exhaust heat/gases can ignite combustibles, structures or damage fuel tank causing a fire.
<ul style="list-style-type: none"><li>• Keep at least 5 ft. (1.5 m) clearance on all sides of generator including overhead.</li></ul>	

Place generator outdoors in an area that will not accumulate deadly exhaust gas. DO NOT place generator where exhaust gas (A) could accumulate and enter inside or be drawn into a potentially occupied building. Ensure exhaust gas is kept away from any windows, doors, ventilation intakes, or other openings that can allow exhaust gas to collect in a confined area. Prevailing winds and air currents should be taken into consideration when positioning generator.

 <b>DANGER</b>	
<b>Using a generator indoors CAN KILL YOU IN MINUTES.</b>	
Generator exhaust contains carbon monoxide. This is a poison you cannot see or smell.	
	
<b>NEVER use inside a home or garage, EVEN IF doors and windows are open.</b>	
<b>Only use OUTSIDE and far away from windows, doors, and vents.</b>	



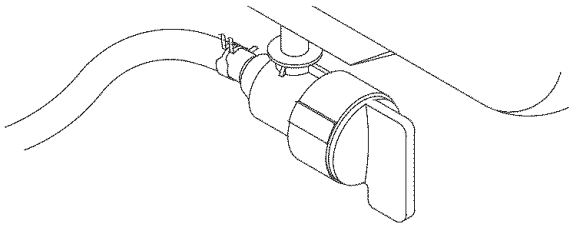
## To Start The Engine

Disconnect all electrical loads from the generator. NEVER start or stop engine with electrical devices plugged in and turned ON. Follow start instruction steps in numerical order:

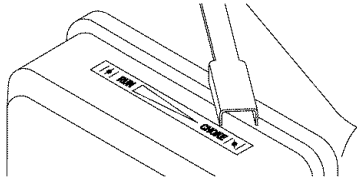
1. Make sure unit is on a level surface.

**IMPORTANT:** Failure to start and operate unit on a level surface will cause the unit not to start or shut down during operation.

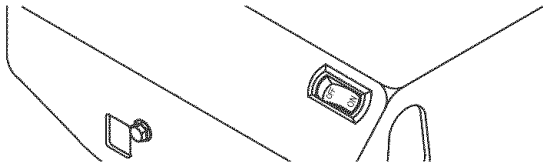
2. Turn fuel valve to “On” position. Fuel valve handle should be vertical (pointing toward ground) for fuel to flow.




3. Place choke lever in “Choke” position.



4. Set rocker switch to “On” position.





5. Grasp recoil handle and pull slowly until slight resistance is felt. Then pull rapidly to start engine.

<b>⚠ WARNING</b>	
	<p>Starter cord kickback (rapid retraction) can result in bodily injury. Kickback will pull hand and arm toward engine faster than you can let go.</p> <p>Broken bones, fractures, bruises, or sprains could result.</p>
<ul style="list-style-type: none"> <li>• When starting engine, pull cord slowly until resistance is felt and then pull rapidly to avoid kickback.</li> <li>• NEVER start or stop engine with electrical devices plugged in and turned on.</li> </ul>	

**IMPORTANT:** If engine floods, place choke lever in “Run” position and crank until engine starts.

6. Move choke lever to “Run” position a short distance at a time over several seconds in warm weather or minutes in cold weather. Let engine run smoothly before each change. Operate with choke in “Run” position.

**NOTE:** If engine starts after 3 pulls but fails to run, or if unit shuts down during operation, make sure unit is on a level surface and check for proper oil level in crankcase. This unit may be equipped with a low oil protection device. If so, oil must be at proper level for engine to start.

<b>⚠ WARNING</b>	
	Contact with muffler area can result in serious burns.
	Exhaust heat/gases can ignite combustibles, structures or damage fuel tank causing a fire.
<ul style="list-style-type: none"> <li>• DO NOT touch hot parts and AVOID hot exhaust gases.</li> <li>• Allow equipment to cool before touching.</li> <li>• Keep at least 5 feet (1.5 m) of clearance on all sides of generator including overhead.</li> <li>• Code of Federal Regulation (CFR) Title 36 Parks, Forests, and Public Property require equipment powered by an internal combustion engine to have a spark arrester, maintained in effective working order, complying to USDA Forest service standard 5100-1C or later revision. In the State of California a spark arrester is required under section 4442 of the California Public resources code. Other states may have similar laws.</li> </ul>	


## Connecting Electrical Loads

- Let the engine stabilize and warm up for a few minutes after starting.
- DO NOT connect 240 Volt loads to 120 Volt receptacles.
- DO NOT connect 3-phase loads to the generator.
- DO NOT connect 50 Hz loads to the generator.
- Plug in and turn on the desired 120 Volt AC, single phase, 60 Hertz electrical loads.
- DO NOT OVERLOAD THE GENERATOR. See *Don't Overload Generator*.

<b>NOTICE</b>	
Exceeding generators wattage/amperage capacity can damage generator and/or electrical devices connected to it.	
<ul style="list-style-type: none"> <li>• DO NOT exceed the generator's wattage/amperage capacity. See <i>Don't Overload Generator</i> in the <i>Operation</i> section.</li> <li>• Start generator and let engine stabilize before connecting electrical loads.</li> <li>• Connect electrical loads in OFF position, then turn ON for operation.</li> <li>• Turn electrical loads OFF and disconnect from generator before stopping generator.</li> </ul>	

## Stopping the Engine

1. Turn off and unplug all electrical loads from unit. NEVER start or stop engine with electrical devices plugged in and turned on.
2. Let engine run at no-load for two minutes to stabilize unit's internal temperatures.
3. Move rocker switch to “Off” position.
4. Move fuel valve to “Off” position.



<b>⚠ WARNING</b>	
	Backfire, fire or engine damage could occur.
<ul style="list-style-type: none"> <li>• DO NOT stop engine by moving choke lever to “Choke” position.</li> </ul>	

## Cord Sets and Receptacles

Use only high quality, well-insulated, grounded extension cords with the generator's 120 Volt duplex receptacle. Inspect extension cords before each use.

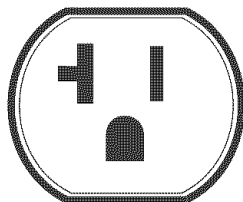
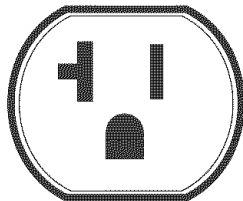
Check the ratings of all extension cords before you use them. Extension cord sets used should be rated for 125 Volt AC loads at 20 Amps or greater for most electrical devices. Some devices, however, may not require this type of extension cord. Check the operator's manuals of those devices for the manufacturer's recommendations.

Keep extension cords as short as possible to minimize voltage drop.

 <b>WARNING</b>	
	Overloaded electrical cords can overheat, arc, and burn resulting in death, bodily injury, and/or property damage.
<ul style="list-style-type: none"><li>• ONLY use cords rated for your loads.</li><li>• Follow all safeties on electrical cords.</li></ul>	

### 120 Volt AC, 20 Amp, Duplex Receptacles

Each duplex receptacle is protected against overload by a push-to-reset circuit breaker.



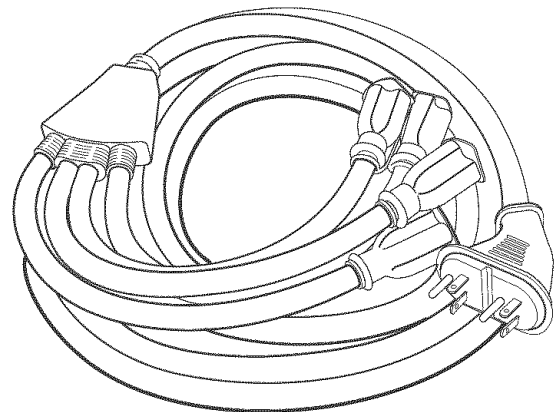
Use each receptacle to operate 120 Volt AC, single-phase, 60 Hz electrical loads requiring up to 2,400 watts (2.4 kW) at 20 Amps of current. Use cord sets that are rated for 125 Volt AC loads at 20 Amps (or greater).

<b>NOTICE</b>
Receptacles may be marked with rating value greater than generator output capacity.
<ul style="list-style-type: none"><li>• NEVER attempt to power a device requiring more amperage than generator or receptacle can supply.</li><li>• DO NOT overload the generator. See <i>Don't Overload Generator</i>.</li></ul>

### Generator Adapter Cord Set

The generator comes with a 25' generator adapter cord set designed to provide two sets of 120 Volt, 20 Amp outlets from one 120 Volt, 20 Amp duplex receptacle.

The maximum load on each outlet is 20 Amps. The maximum total load on both black wire outlets or white stripe wire outlets is 20 Amps.



**NOTE:** Follow all safety precautions when connecting any extension cord or device to the generator.

# Don't Overload Generator

## Capacity

You must make sure your generator can supply enough rated (running) and surge (starting) watts for the items you will power at the same time. Follow these simple steps:

1. Select the items you will power at the same time.
2. Total the rated (running) watts of these items. This is the amount of power your generator must produce to keep your items running.
3. Estimate how many surge (starting) watts you will need. Surge wattage is the short burst of power needed to start electric motor-driven tools or appliances such as a circular saw or refrigerator. Because not all motors start at the same time, total surge watts can be estimated by adding only the item(s) with the highest additional surge watts to the total rated watts from step 2.

### Example:

Tool or Appliance	Rated (Running) Watts	Additional Surge (Starting) Watts
Window Air Conditioner	1200	1800
Refrigerator	800	1600
Deep Freezer	500	500
Television	500	-
Light (75 Watts)	75	-
	3075 Total Running Watts	1800 Highest Surge Watts

Total Rated (Running) Watts = 3075  
 Highest Additional Surge Watts = 1800  
 Total Generator Output Required = 4875

**NOTE:** The rated (running) watts cannot exceed 3600. Also, given the 3600 watt rated limit, additional surge (starting) watts cannot exceed 5300.

## Power Management

To prolong the life of your generator and attached devices, it is important to take care when adding electrical loads to your generator. There should be nothing connected to the generator outlets before starting it's engine. The correct and safe way to manage generator power is to sequentially add loads as follows:

1. With nothing connected to the generator, start the engine as described in this manual.
2. Plug in and turn on the first load, preferably the largest load you have.
3. Permit the generator output to stabilize (engine runs smoothly and attached device operates properly).

4. Plug in and turn on the next load.
5. Again, permit the generator to stabilize.
6. Repeat steps 4 and 5 for each additional load.

NEVER add more loads than the generator capacity. Take special care to consider surge loads in generator capacity, as described above.

Tool or Appliance	Rated* (Running) Watts	Additional Surge (Starting) Watts
<b>Essentials</b>		
Light Bulb - 75 watt	75	-
Deep Freezer	500	500
Sump Pump	800	1200
Refrigerator/Freezer - 18 Cu. Ft.	800	1600
Water Well Pump - 1/3 HP	1000	2000
<b>Heating/Cooling</b>		
Window AC - 10,000 BTU	1200	1800
Window Fan	300	600
Furnace Fan Blower - 1/2 HP	800	1300
<b>Kitchen</b>		
Microwave Oven - 1000 Watt	1000	-
Coffee Maker	1500	-
Electric Stove - Single Element	1500	-
Hot Plate	2500	-
<b>Family Room</b>		
DVD/CD Player	100	-
VCR	100	-
Stereo Receiver	450	-
Color Television - 27"	500	-
Personal Computer w/17" monitor	800	-
<b>Other</b>		
Security System	180	-
AM/FM Clock Radio	300	-
Garage Door Opener - 1/2 HP	480	520
Electric Water Heater - 40 Gallon	4000	-
<b>DIY/Job Site</b>		
Quartz Halogen Work Light	1000	-
Airless Sprayer - 1/3 HP	600	1200
Reciprocating Saw	960	960
Electric Drill - 1/2 HP	1000	1000
Circular Saw - 7 1/4"	1500	1500
Miter Saw - 10"	1800	1800
Table Planer - 6"	1800	1800
Table Saw/Radial Arm Saw - 10"	2000	2000
Air Compressor - 1-1/2 HP	2500	2500

\*Wattages listed are approximate only. Check tool or appliance for actual wattage.



# SPECIFICATIONS

## Engine Technical Information

This is a single cylinder, overhead valve (OHV), air cooled engine. It is a low emissions engine.

In the State of California, Model Series 120000 engines are certified by the California Air Resources Board to meet emissions standards for 125 hours. Such certification does not grant the purchaser, owner or operator of this engine any additional warranties with respect to the performance or operational life of this engine. The engine is warranted solely according to the product and emissions warranties stated elsewhere in this manual.

### Power Ratings

The gross power rating for individual gas engine models is labeled in accordance with SAE (Society of Automotive Engineers) code J1940 (Small Engine Power & Torque Rating Procedure), and rating performance has been obtained and corrected in accordance with SAE J1995 (Revision 2002-05). Torque values are derived at 3060 RPM; horsepower values are derived at 3600 RPM. Actual gross engine power will be lower and is affected by, among other things, ambient operating conditions and engine-to-engine variability. Given both the wide array of products on which engines are placed and the variety of environmental issues applicable to operating the equipment, the gas engine will not develop the rated gross power when used in a given piece of power equipment (actual "on-site" or net power). This difference is due to a variety of factors including, but not limited to, accessories (air cleaner, exhaust, charging, cooling, carburetor, fuel pump, etc.), application limitations, ambient operating conditions (temperature, humidity, altitude), and engine-to-engine variability. Due to manufacturing and capacity limitations, Briggs & Stratton may substitute an engine of higher rated power for this Series engine.

## Product Specifications

### Generator Specifications

Wattage	3,600 Watts (3.6kW)
Starting Wattage	5,300 Watts (5.3kW)
Rated AC Voltage	120 Volts
Rated AC Current at 120 Volts	30.0 Amperes
Rated Frequency	60 Hz at 3600 rpm
Phase	Single Phase
Fuel Capacity	4 U.S. gallons
Shipping Weight	127 lbs.

### Engine Specifications

Bore	2.69 in. (68mm)
Stroke	2.20 in. (56mm)
Displacement	12.57 in. (206 cc)
Spark Plug Type:	Briggs & Stratton 491055
Set Gap To:	0.030inch (0.76mm)
Armature Air Gap:	0.010-0.014 in. (0.25-0.36mm)
Valve clearance with valve springs installed and piston 1/4 in. (6 mm) past top dead center (check when engine is cold).	
Intake	0.004-0.006 in. (0.10-0.15 mm)
Exhaust	0.009-0.011 in. (0.23-0.28 mm)
Oil Capacity	20 Ounces (0.6 Liters)

**NOTE:** For practical operation, the generator load should not exceed 85% of rated wattage. Engine power will decrease 3-1/2% for each 1,000 feet (300 meters) above sea level and 1% for each 10° F (5.6° C) above 77° F (25° C). It should operate satisfactorily at an angle up to 15°.

# MAINTENANCE

## Maintenance Schedule

Follow the hourly or calendar intervals, whichever occurs first.

More frequent service is required when operating in adverse conditions noted below.

MAINTENANCE SCHEDULE FILL IN DATES AS YOU COMPLETE REGULAR SERVICE	SERVICE DATES				SERVICE DATES		
	Before Each Use	Every 25 Hours or Yearly	Every 50 Hours or Yearly	Every 100 Hours or Yearly			
Check oil level	X						
Clean debris	X						
Change engine oil			X <sup>1</sup>				
Service air cleaner		X <sup>2</sup>					
Service spark plug				X			
Service spark arrester				X			
Clean cooling system				X <sup>2</sup>			
Prepare for storage	If unit is to remain idle for longer than 30 days.						

<sup>1</sup> Change oil after the first (5) operating hours and every 50 hours or every year, whichever occurs first, thereafter.

Change sooner when operating under dirty or dusty conditions.

<sup>2</sup> Replace more often under dirty or dusty conditions.

## General Recommendations

Regular maintenance will improve the performance and extend the life of the generator. See any Sears or other qualified dealer for service.

The generator's warranty does not cover items that have been subjected to operator abuse or negligence. To receive full value from the warranty, the operator must maintain generator as instructed in this manual.

Some adjustments will need to be made periodically to properly maintain your generator.

All service and adjustments should be made at least once each season. Follow the requirements in the *Maintenance Schedule* chart above.

**NOTE:** Once a year you should clean or replace the spark plug and replace the air filter. A new spark plug and clean air filter assure proper fuel-air mixture and help your engine run better and last longer.

## Emissions Control

Maintenance, replacement or repair of the emissions control devices and systems may be performed by any non-road engine repair establishment or individual.

## Generator Maintenance

Generator maintenance consists of keeping the unit clean and dry. Operate and store the unit in a clean dry environment where it will not be exposed to excessive dust, dirt, moisture or any corrosive vapors. Cooling air slots in the generator must not become clogged with snow, leaves, or any other foreign material.

Check the cleanliness of the generator frequently and clean when dust, dirt, oil, moisture or other foreign substances are visible on its exterior surface.

**NOTE:** DO NOT use a garden hose to clean generator. Water can enter the engine fuel system and cause problems. In addition, if water enters the generator through cooling air slots, some of the water will be retained in voids and cracks of the rotor and stator winding insulation. Water and dirt buildup on the generator internal windings will eventually decrease the insulation resistance of these windings.

## Generator Cleaning

Daily or before use, clean accumulated debris from generator. Keep linkage, spring and controls clean. Keep area around and behind muffler free from any combustible debris. Inspect cooling air slots and openings on the generator. These openings must be kept clean and unobstructed.

Generator parts should be kept clean to reduce the risk of overheating and ignition of accumulated debris.

- Use a damp cloth to wipe exterior surfaces clean.

### NOTICE

Improper treatment of generator can damage it and shorten its life.

- DO NOT expose generator to excessive moisture, dust, dirt, or corrosive vapors.
- DO NOT insert any objects through cooling slots.

- Use a soft bristle brush to loosen caked on dirt, oil, etc.
- Use a vacuum cleaner to pick up loose dirt and debris.

## StatStation™

The StatStation™ displays the nominal load on generator based on output frequency. It also has a built in maintenance reminder.

### Wattage Monitor Operation

The display is two seven-segment LEDs that provide an easy-to-read indication of the amount of power being supplied by the generator. The load monitor displays the generator's output as a percentage.

As generator load increases, the display values will increase. When the displayed values begin flashing, the user should stop adding electrical loads to the generator.

If the power usage becomes too high, the letters "OL" (for Over Load) will flash on the display. The user should reduce the amount of load attached to the generator.

### Maintenance Reminder

The LED will display certain codes to alert you to check oil, change oil, check or replace air filter and check or replace spark plug. The following codes will display:

"C1" Check oil at 8 hour increments

"C2" Change oil at 50 hour increments

"C3" Check or replace air filter at 25 hour increments

"C4" Check or replace spark plug at 100 hour increments


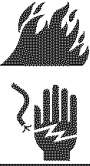
To take advantage of the StatStation "maintenance reminder" capabilities, the user must press the reset button after completing the maintenance called for in the displayed code (C1, C2, C3, or C4). This results in a display of "Co" or "CA", depending on how long the button is pressed:

- 1) "Co" - Pressing the reset button once quickly will display "Co" (clearing to zero). This will clear any maintenance codes that have elapsed up to that point and they will begin timing again from zero.
- 2) "CA" - Pressing and holding the reset button for 2 seconds will display "CA" (clearing all). This clears all maintenance codes, even if they have not yet reached their service point, and they will begin timing again from zero.

If nominal load and maintenance codes appear simultaneously, the LED shall display, alternately, the nominal load and code as follows:

The code will display for 3 seconds, then 1/2 second off. The load will display for 6 seconds and then 1/2 second off.

## Engine Maintenance

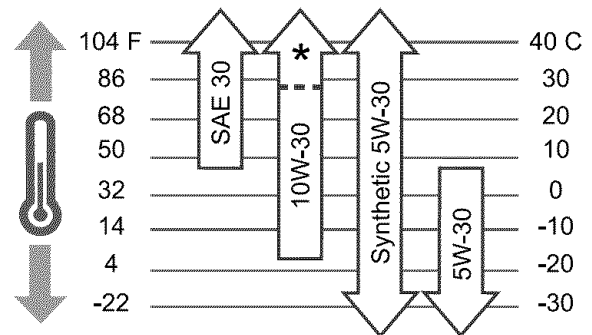
 <b>WARNING</b>	
	Unintentional sparking can result in fire or electric shock.
<b>WHEN ADJUSTING OR MAKING REPAIRS TO YOUR GENERATOR</b>	
<ul style="list-style-type: none"><li>• Disconnect the spark plug wire from the spark plug and place the wire where it cannot contact spark plug.</li></ul>	
<b>WHEN TESTING FOR ENGINE SPARK</b>	
<ul style="list-style-type: none"><li>• Use approved spark plug tester.</li><li>• DO NOT check for spark with spark plug removed.</li></ul>	

## Oil

### Oil Recommendations

**NOTE:** Use a high quality detergent oil classified "For Service SF, SG, SH, SJ" or higher. DO NOT use special additives.

1. Choose a viscosity according to the table below:



**NOTE:** Synthetic oil meeting ILSAC GF-2, API certification mark and API service symbol with "SJ/CF ENERGY CONSERVING" or higher, is an acceptable oil at all temperatures. Use of synthetic oil does not alter required oil change intervals.

**SAE 30:** 40°F and higher (5°C and higher) is good for all purpose use above 40°F, use below 40°F will cause hard starting.

**10W-30:** 0 to 100°F (-18 to 38°C) is better for varying temperature conditions. This viscosity improves cold weather starting, but may increase oil consumption above 80°F (27°C).

\*Check oil level frequently at higher temperatures.

**Synthetic 5W-30:** -20 to 120°F (-30 to 40 °C) provides the best protection at all temperatures as well as improved starting with less oil consumption.

**5W-30:** 40°F and below (5°C and below) is recommended for winter use and works best in cold conditions.

### Checking Oil Level

Oil level should be checked prior to each use or at least every 5 hours of operation. Keep oil level maintained.


1. Make sure generator is on a level surface.
2. Clean area around oil fill and remove oil fill cap.
3. Verify oil is at the point of overflowing at oil fill opening.
4. Replace and tighten oil fill cap.

### Adding Engine Oil

1. Make sure generator is on a level surface.
2. Check oil level as described in *Checking Oil Level*.
3. If needed, slowly pour oil into oil fill opening to the point of overflowing at oil fill.
4. Replace and tighten oil fill cap.

### Changing Engine Oil

Change the oil after the first 5 hours of operation. Change oil every 50 hours thereafter. If you are using your generator under extremely dirty or dusty conditions, or in extremely hot weather, change the oil more often.

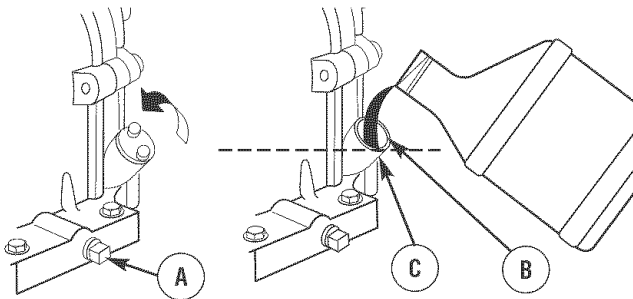
 <b>CAUTION</b>
Avoid prolonged or repeated skin contact with used motor oil.
<ul style="list-style-type: none"><li>• Used motor oil has been shown to cause skin cancer in certain laboratory animals.</li><li>• Thoroughly wash exposed areas with soap and water.</li></ul>



KEEP OUT OF REACH OF CHILDREN. DON'T POLLUTE. CONSERVE RESOURCES. RETURN USED OIL TO COLLECTION CENTERS.

Change the oil while the engine is still warm from running, as follows:

1. Make sure unit is on a level surface.
2. Disconnect the spark plug wire from the spark plug and place the wire where it cannot contact spark plug.
3. Clean area around oil drain plug (A). The oil drain plug is located at base of engine, opposite carburetor.



4. Remove oil drain plug and drain oil completely into a suitable container.
5. Reinstall oil drain plug and tighten securely. Remove oil fill cap.
6. Slowly pour oil (about 20 oz.) into oil fill opening (B) to the point of overflowing (C) at oil fill cap. DO NOT overfill.
7. Reinstall oil fill cap. Finger tighten cap securely.
8. Wipe up any spilled oil.

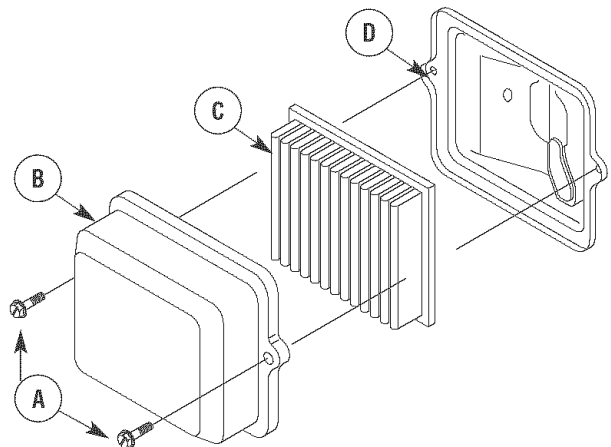
### Service Air Cleaner

Your engine will not run properly and may be damaged if you run it with a dirty air cleaner.

Replace the air cleaner every 25 hours of operation or once each year, whichever comes first. Replace more often if operating under dirty or dusty conditions.

To service the air cleaner, follow these steps:

1. Loosen screws (A) and remove air cleaner cover (B).



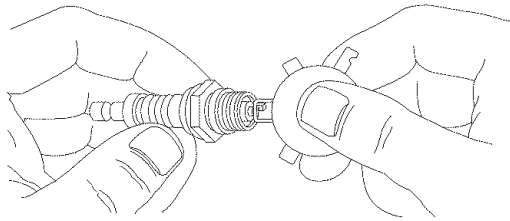
2. Carefully remove cartridge (C) from base (D).
3. Install clean (or new) air cleaner assembly inside cover. Dispose of old filter properly.
4. Assemble air cleaner cover onto base and tighten screws.

**NOTE:** You can purchase new air cleaner elements by calling 1-800-4-MY-HOME (469-4663).

## Clean/Replace Spark Plug

Change the spark plug every 100 hours of operation or once each year, whichever comes first. This will help your engine to start easier and run better.

1. Clean area around spark plug.
2. Remove and inspect spark plug.
3. Check electrode gap with wire feeler gauge and set spark plug gap to 0.030 inch (0.76mm) if necessary.



4. Replace spark plug if electrodes are pitted, burned or porcelain is cracked. Use a recommended replacement plug.
5. Install spark plug and tighten firmly.

**NOTE:** You can purchase a new spark plug by calling **1-800-4-MY-HOME (469-4663)**.

## Clean Spark Arrester Screen

The engine exhaust muffler has a spark arrester screen. Inspect and clean the screen every 100 hours of operation or once each year, whichever comes first.

**NOTE:** You can purchase a new spark arrester screen by calling **1-800-4-MY-HOME (469-4663)**.

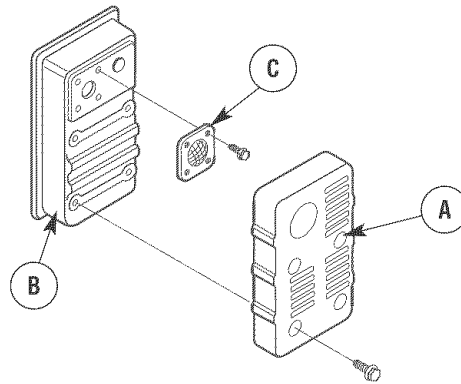
If you use your generator on any forest-covered, brush-covered, or grass-covered unimproved land, it must have a spark arrester. The spark arrester must be maintained in good condition by the owner/operator.

<b>⚠ WARNING</b>	
	Contact with muffler area can result in serious burns.
	Exhaust heat/gases can ignite combustibles, structures or damage fuel tank causing a fire.
<ul style="list-style-type: none"> <li>• DO NOT touch hot parts and AVOID hot exhaust gases.</li> <li>• Allow equipment to cool before touching.</li> <li>• Keep at least 5 feet (1.5 m) of clearance on all sides of generator including overhead.</li> <li>• Code of Federal Regulation (CFR) Title 36 Parks, Forests, and Public Property require equipment powered by an internal combustion engine to have a spark arrester, maintained in effective working order, complying to USDA Forest service standard 5100-1C or later revision. In the State of California a spark arrester is required under section 4442 of the California Public resources code. Other states may have similar laws.</li> </ul>	

### Clean and inspect the spark arrester as follows:

1. To remove muffler heat shield (A) from muffler (B), remove four screws that connect guard to muffler bracket.

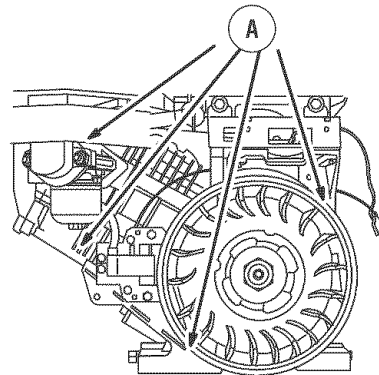
2. Remove four screws that attach spark arrester screen (C).



3. Inspect screen and obtain a replacement if torn, perforated or otherwise damaged. DO NOT use a defective screen. If screen is not damaged, clean it with commercial solvent.
4. Reattach screen and muffler guard.

## Air Cooling System

Over time debris may accumulate in cylinder cooling fins and cannot be observed without partial engine disassembly. For this reason, we recommend you have a Sears or other qualified service dealer clean the cooling system (A) per recommended intervals (see *Maintenance Schedule*). Equally important is to keep top of engine free from debris. See *Generator Cleaning*.



## Carburetor Adjustment

The carburetor on this engine is low emission. It is equipped with a non-adjustable idle mixture valve and governed idle, if equipped. Governed idle and top speed have been set at the factory. If adjustment is required, see any Sears or other qualified dealer.

<b>⚠ CAUTION</b>	
Excessively high operating speeds increase risk of injury and damage to generator.	
Excessively low speeds impose a heavy load.	
<ul style="list-style-type: none"> <li>• DO NOT tamper with governed speed. Generator supplies correct rated frequency and voltage when running at governed speed.</li> <li>• DO NOT modify generator in any way.</li> </ul>	




# STORAGE

## General

The generator should be started at least once every seven days and allowed to run at least 30 minutes. If this cannot be done and you must store the unit for more than 30 days, use the following information as a guide to prepare it for storage.

## Long Term Storage Instructions

It is important to prevent gum deposits from forming in essential fuel system parts, such as the carburetor, fuel filter, fuel hose or tank during storage. Also, experience indicates that alcohol-blended fuels (called gasohol, ethanol or methanol) can attract moisture, which leads to separation and formation of acids during storage. Acidic fuel can damage the fuel system of an engine while in storage.

 <b>WARNING</b>	
	Fuel and its vapors are extremely flammable and explosive.
	Fire or explosion can cause severe burns or death.
<b>WHEN STORING FUEL OR EQUIPMENT WITH FUEL IN TANK</b>	
<ul style="list-style-type: none"> <li>• Store away from furnaces, stoves, water heaters, clothes dryers or other appliances that have pilot light or other ignition source because they can ignite fuel vapors.</li> </ul>	
<b>WHEN DRAINING FUEL</b>	
<ul style="list-style-type: none"> <li>• Turn generator OFF and let it cool at least 2 minutes before removing fuel cap. Loosen cap slowly to relieve pressure in tank.</li> <li>• Drain fuel tank outdoors.</li> <li>• Keep fuel away from sparks, open flames, pilot lights, heat, and other ignition sources.</li> <li>• DO NOT light a cigarette or smoke.</li> </ul>	

## Protect Fuel System

### Fuel Preserver:

Fill the fuel tank with fresh fuel allowing at least 1.5" of tank space for fuel expansion as shown on page 8, when using a fuel preserver cartridge with the fresh start fuel cap. If only partially filled, air in the tank will promote fuel deterioration during storage. Engine and fuel can be stored up to 6 months with fuel preserver.

- Check level of fuel preserver cartridge. Fuel preserver is dark in color.
- If cartridge is almost empty or empty, replace with a new fuel preserver cartridge following the instructions in *Fresh Start™ Fuel Cap*.

If fuel preserver is not used, remove all fuel from tank and run engine until it stops from lack of fuel.

## Change Oil



While engine is still warm, drain oil from crankcase. Refill with recommended grade. See *Changing Engine Oil*.

## Oil Cylinder Bore

- Remove spark plug and pour about 1 ounce (30ml) of clean engine oil into the cylinder.
- Install spark plug and crank slowly to distribute oil.



## Generator

1. Clean generator as outlined in *Generator Cleaning*.
2. Check that cooling air slots and openings on generator are open and unobstructed.

 <b>WARNING</b>	
	Unintentional sparking can result in fire or electric shock.
<ul style="list-style-type: none"> <li>• NEVER crank engine with spark plug removed.</li> </ul>	

## Other Storage Tips

1. DO NOT store fuel from one season to another unless it has been treated as described in *Protect Fuel System*.
2. Replace fuel can if it starts to rust. Contaminated fuel will cause engine problems.
3. If possible, store unit indoors and cover it to give protection from dust and dirt.
4. Cover unit with a suitable protective cover that does not retain moisture.

 <b>WARNING</b>	
	Storage covers can be flammable.
<ul style="list-style-type: none"> <li>• DO NOT place a storage cover over a hot generator.</li> <li>• Let equipment cool for a sufficient time before placing the cover on the equipment.</li> </ul>	

5. Store generator in clean, dry area.

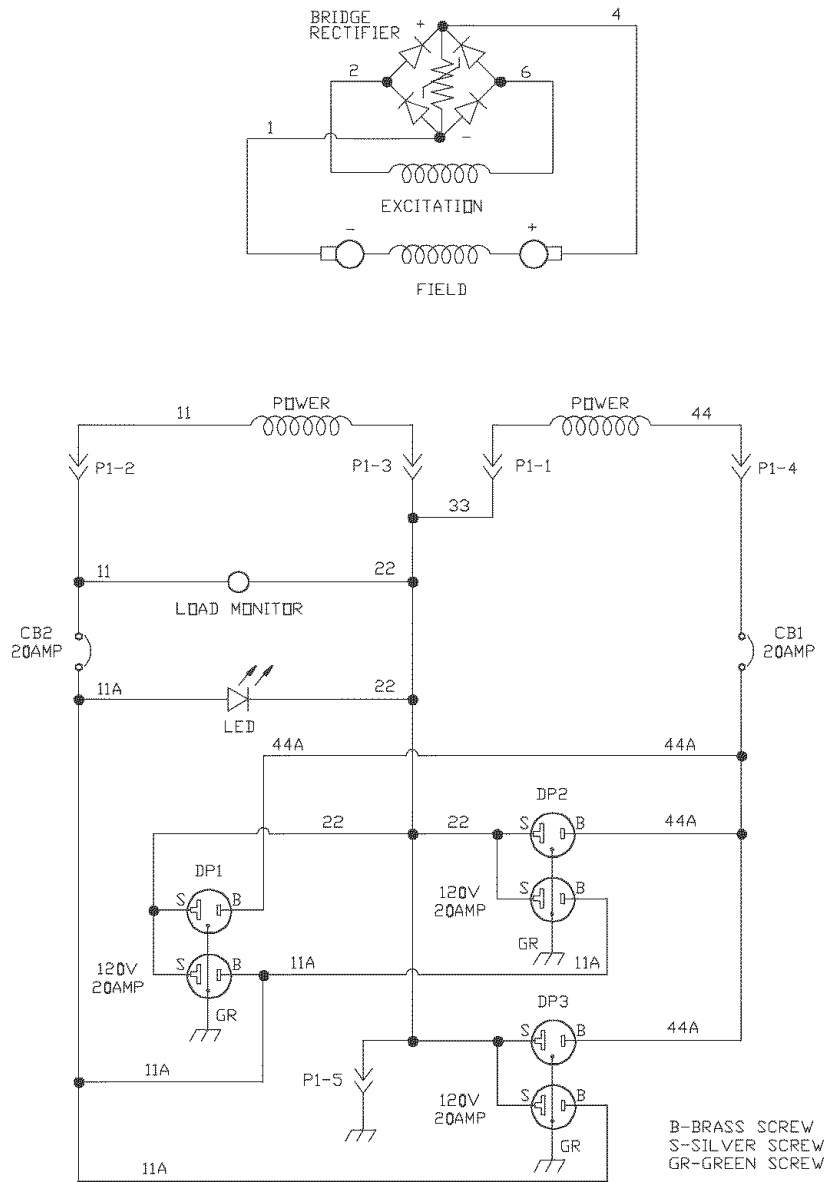
# TROUBLESHOOTING

Problem	Cause	Correction
Engine is running, but no AC output is available.	<ol style="list-style-type: none"> <li>1. One of the circuit breakers is open.</li> <li>2. Fault in generator.</li> <li>3. Poor connection or defective cord set.</li> <li>4. Connected device is bad.</li> </ol>	<ol style="list-style-type: none"> <li>1. Reset circuit breaker.</li> <li>2. Contact Sears service facility.</li> <li>3. Check and repair.</li> <li>4. Connect another device that is in good condition.</li> </ol>
Engine runs good at no-load but "bogs down" when loads are connected.	<ol style="list-style-type: none"> <li>1. Short circuit in a connected load.</li> <li>2. Engine speed is too slow.</li> <li>3. Generator is overloaded.</li> <li>4. Shorted generator circuit.</li> </ol>	<ol style="list-style-type: none"> <li>1. Disconnect shorted electrical load.</li> <li>2. Contact Sears service facility.</li> <li>3. See <i>Don't Overload Generator</i>.</li> <li>4. Contact Sears service facility.</li> </ol>
Engine will not start; or starts and runs rough.	<ol style="list-style-type: none"> <li>1. Rocker Switch set to "Off".</li> <li>2. Fuel Valve is in "Off" position.</li> <li>3. Dirty air cleaner.</li> <li>4. Out of fuel.</li> <li>5. Stale fuel.</li> <li>6. Spark plug wire not connected to spark plug.</li> <li>7. Bad spark plug.</li> <li>8. Water in fuel.</li> <li>9. Flooded.</li> <li>10. Excessively rich fuel mixture.</li> <li>11. Intake valve stuck open or closed.</li> <li>12. Engine has lost compression.</li> </ol>	<ol style="list-style-type: none"> <li>1. Set switch to "On".</li> <li>2. Turn fuel valve to "Open" position.</li> <li>3. Clean or replace air cleaner.</li> <li>4. Fill fuel tank.</li> <li>5. Drain fuel tank and carburetor; fill with fresh fuel.</li> <li>6. Connect wire to spark plug.</li> <li>7. Replace spark plug.</li> <li>8. Drain fuel tank and carburetor; fill with fresh fuel.</li> <li>9. Wait 5 minutes and re-crank engine.</li> <li>10. Contact Sears service facility.</li> <li>11. Contact Sears service facility.</li> <li>12. Contact Sears service facility.</li> </ol>
Engine shuts down when running.	Out of fuel.	Fill fuel tank.
Engine lacks power.	<ol style="list-style-type: none"> <li>1. Load is too high.</li> <li>2. Dirty air filter.</li> </ol>	<ol style="list-style-type: none"> <li>1. See <i>Don't Overload Generator</i>.</li> <li>2. Replace air filter.</li> </ol>
Engine "hunts" or falters.	Carburetor is running too rich or too lean.	Contact Sears service facility.

# NOTES

# SCHEMATIC

## CRAFTSMAN 3600 Watt AC Generator 580.327360







## CRAFTSMAN 3600 Watt AC Generator 580.327360

### Main Unit — Parts List

Item	Part #	Description
1	198816GS	ASSY, Cradle (Includes Items 20, 31 & 53)
2	194150GS	KIT, Vibration, Mount, 45°
3	67989GS	NUT, M8 Flange Serrated
4	186058AGS	HOUSING, Engine Adapter
5	NSP	ASSY, Alt (see page 27)
6	*	NUT, Hex M8 - 1.25
7	*	TPHMS, M8 - 1.25 x 35
8	96796GS	WASHER, M8 Flat
9	*	WASHER, Lock 5/16 - M8
10	*	HHCS, 5/16-24 x 3/4
11	47480GS	HHCS, 5/16-24 x 7
12	*	HHCS, M8 - 1.25 x 25
13	194330GS	KIT, Handle
14	191785GS	BRACKET, Muffler
15	697815	GASKET, Exhaust
16	*	HHCS, M6 - 1.0 x 12 w/LW
17	188301GS	MUFFLER
18	*	SHCS, M6 - 1.0 x 20
19	83083GS	SCREEN, Spark Arrest
20	B4986GS	DECAL, Ground, Green
21	194153GS	KIT, Vibration Mount
22	86494GS	SCREW, Wing M6 - 1.0 x 16
23	195094GS	SCREW, 10 - 16 x .68, Self Drill
24	198037GS	SHIELD, Heat
25	191190GS	CAP
26	74908GS	SCREW, M5-0.8 x 10, Taptite
31	196830GS	DECAL, Exhaust Warning
34	195422GS	COVER, RBC, Plastic with Cap
35	195207GS	KIT, Fuel Hose, Formed
37	56893GS	CRIMPTITE, 10-24 x 1/2
40	199433GS	KIT, Fuel Tank Hrdwr w/U-Clips
	199284GS	U-CLIPS, (Optional Accessory)
41	192980GS	KIT, Valve, Fuel Tank
44	198226GS	ASSY, Tank, Fuel (Includes Items 41, 50, 51, 52 & 55)
45	198912GS	FUEL CAP, Fresh Start™
48	195373GS	WIRE, Ground
50	188333GS	DECAL, Gas Fill
51	194799GS	DECAL, Danger
52	189235GS	DECAL, Start Instructions
53	203579GS	DECAL, CO Warning
54	196908GS	LOAD MONITOR
55	197798GS	DECAL, Shut-Off, Fuel
58	200430GS	ASSY, Control Panel (see page 26)
59	*	NUT, Palnut, 3/16"
900	NSP	ENGINE (121012-0114-E8) (see pages 29-32)

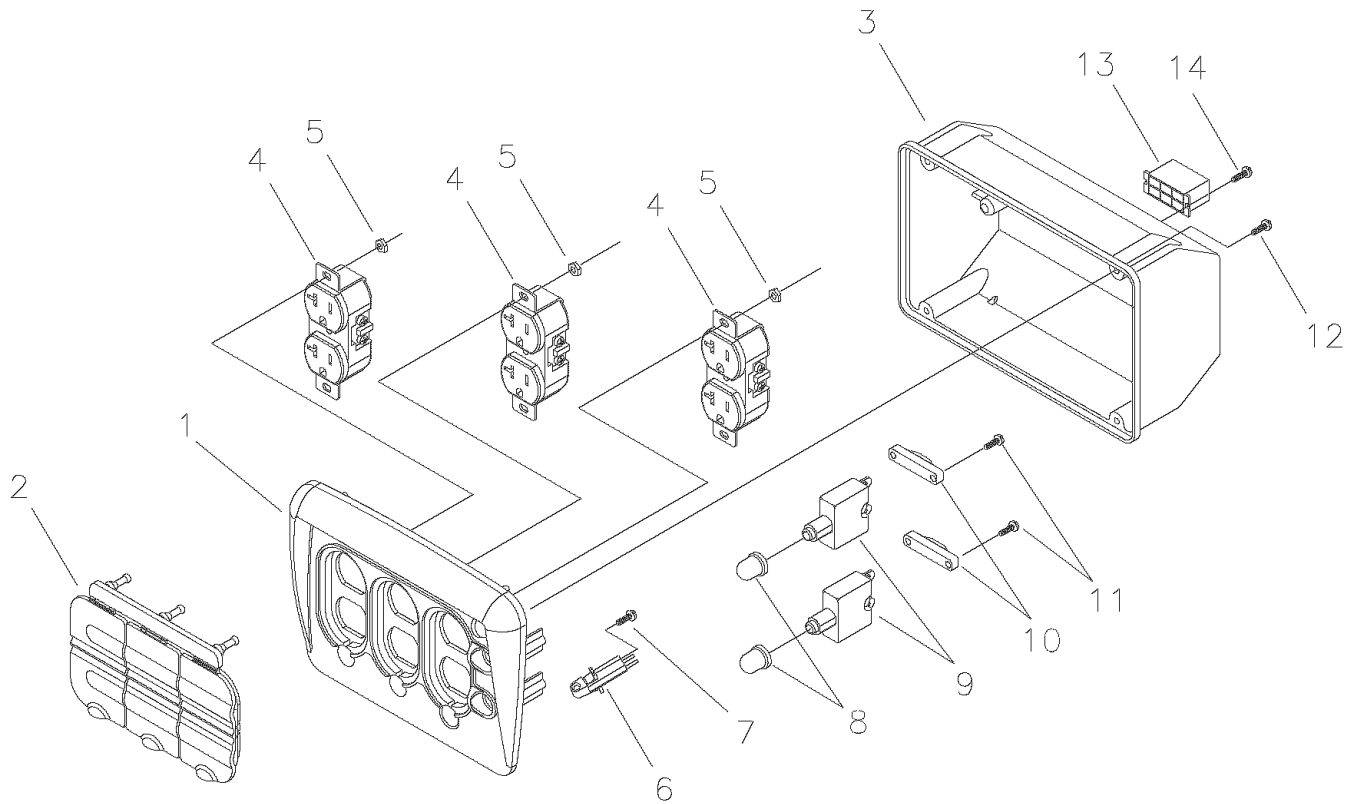
### Parts Not Illustrated

202384GS	MANUAL, Operator's
AB3061BGS	BOTTLE, Oil
5097D	CARTRIDGE, Fresh Fuel
197474GS	CORDSET, Storm
198817GS	KIT, Decals

\* - Items without part numbers are common fasteners and are available at local hardware stores.

# CRAFTSMAN 3600 Watt AC Generator 580.327360

## Control Panel — Exploded View and Parts List

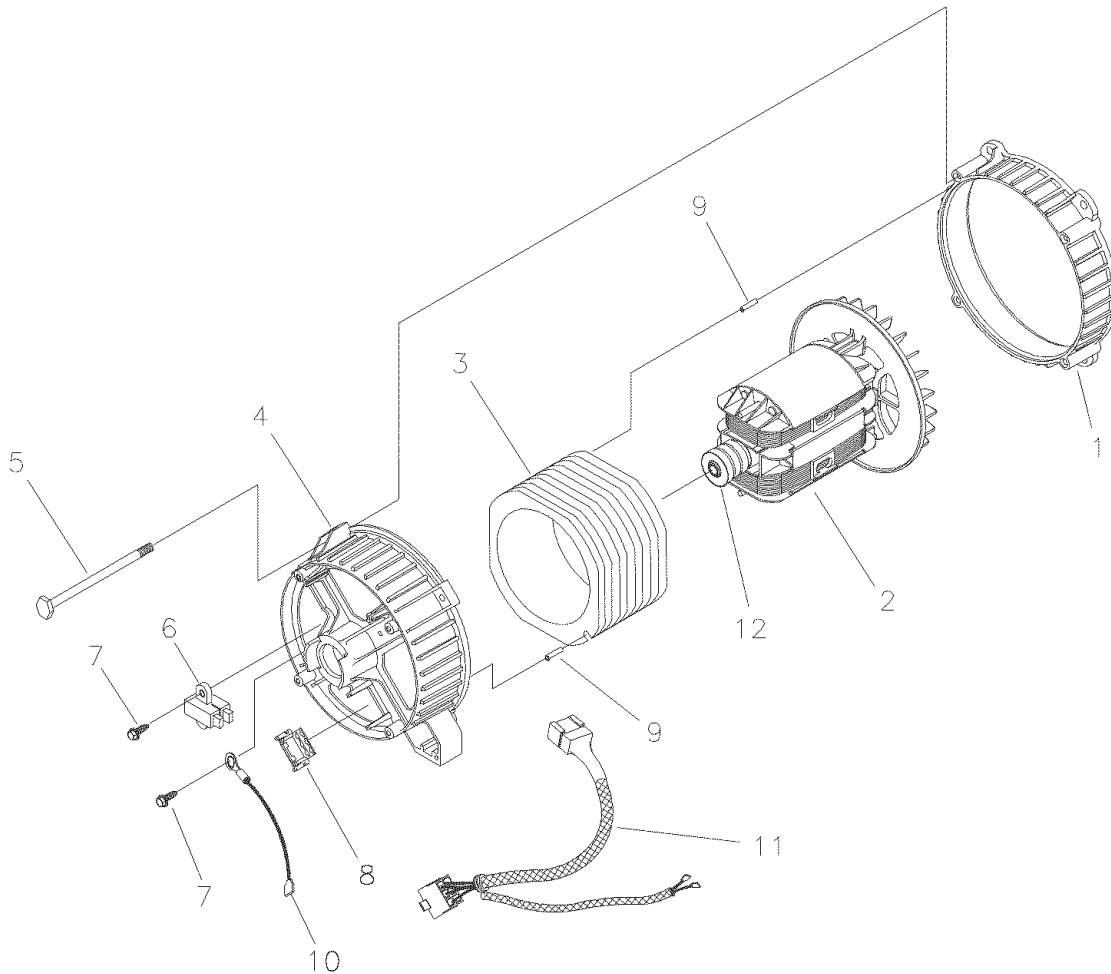


Item	Part #	Description
1	196898GS	PANEL, Control
2	197004GS	COVER, Outlet Flip
3	188890GS	COVER, Back Panel
4	197731GS	OUTLET, 120V, 15/20A Dplx
5	189165GS	NUT, 5/32 Pal
6	197729GS	MODULE, Led
7	197958GS	SCREW, 3 x 6, Tapping
8	84198GS	CAP, Breaker
9	75207GS	BREAKER, Circuit, 20A
10	197805GS	BAR, Retaining
11	*	PPHMS, M3 - 0.5 x 18
12	192241GS	SCREW, 3.5 x 14, Tapping
13	22694GS	HOUSING, Rcptcl, 6 Pin
14	82308GS	SCREW, 3 x 18, Tapping

\* - Items without part numbers are common fasteners and are available at local hardware stores.

# CRAFTSMAN 3600 Watt AC Generator 580.327360

## Alternator — Exploded View & Parts List

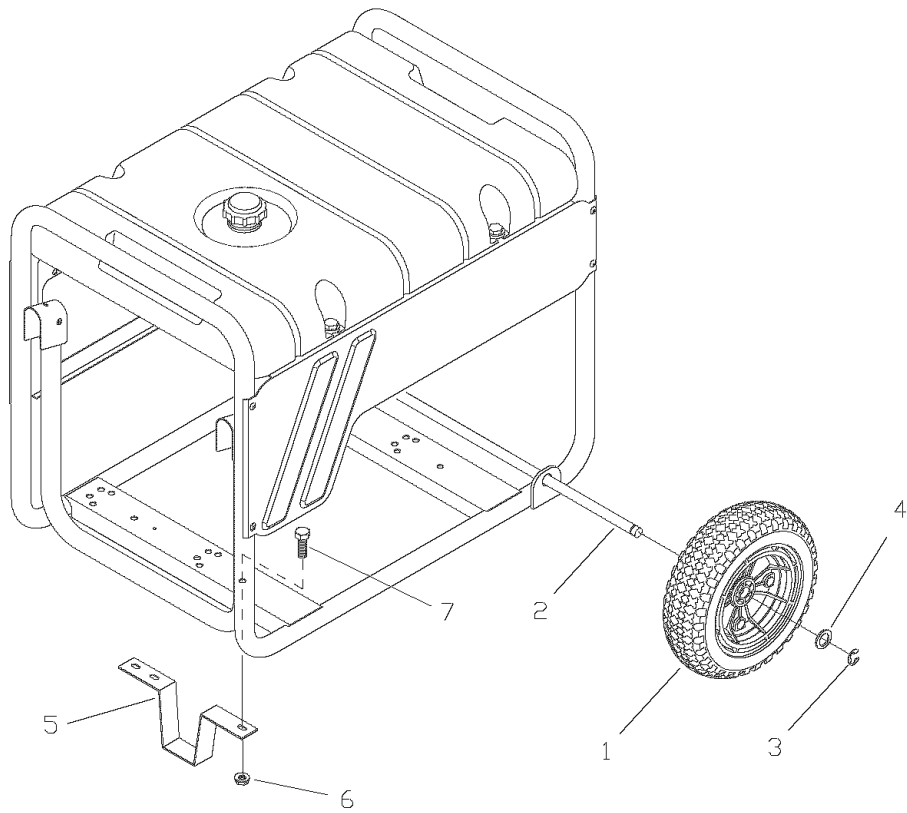


Item	Part #	Description
1	186059GS	ADAPTER, Mounting, Alternator
2	192164GS	ROTOR (Includes Item 12)
3	199047AGS	STATOR
4	186060GS	RBC, with O-Ring (p/n 189197GS)
5	86308JGS	HHCS, M6 - 1.0 x 95 SEMS
6	91825GS	ASSY, Holder, Rectifier/Brush
7	66849GS	TAPTITE, M5 - 0.8 x 16
8	22694GS	RECEPTACLE, 6 pin
9	81917GS	PIN, Roll, 4mm x 10
10	193428AGS	ASSY, Wire, Ground
11	198779GS	HARNESS, Wire, Power
12	65791GS	BEARING



# CRAFTSMAN 3600 Watt AC Generator 580.327360

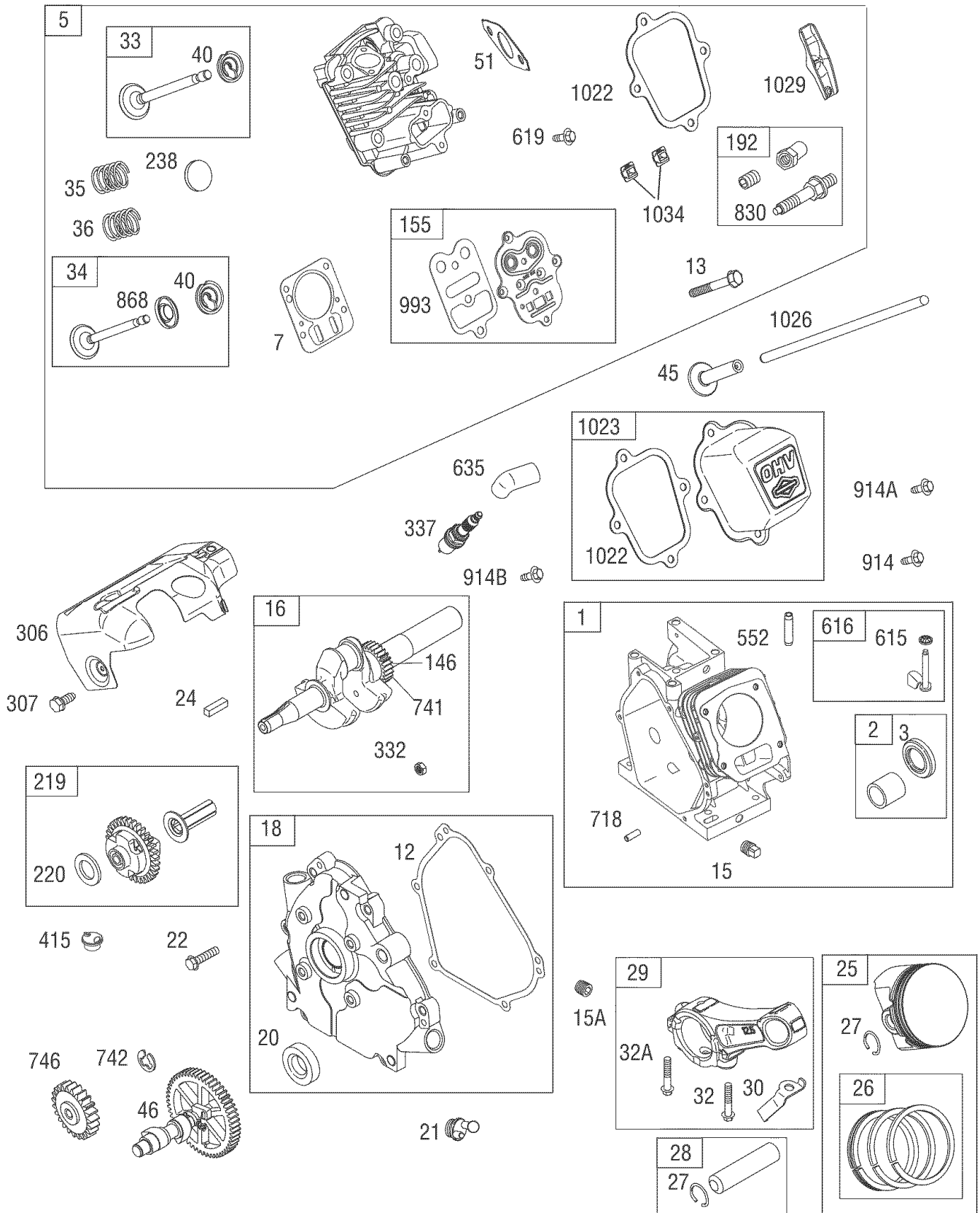
## Wheel Kit — Exploded View and Parts List



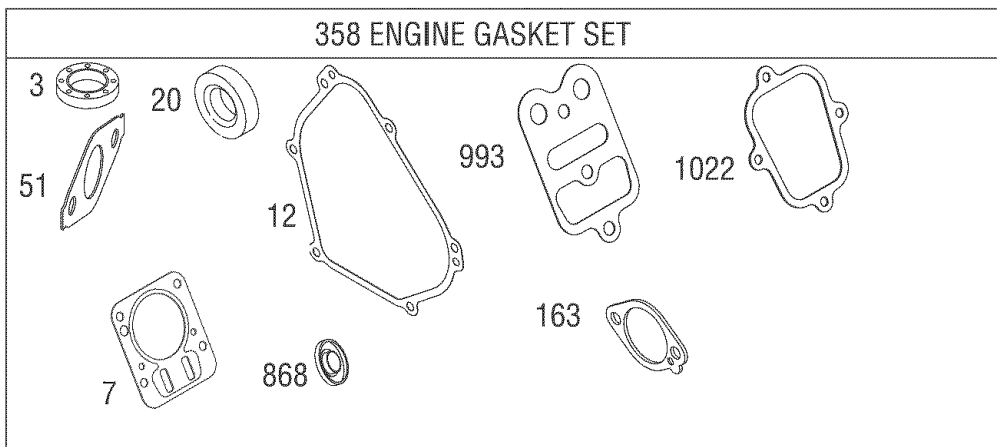
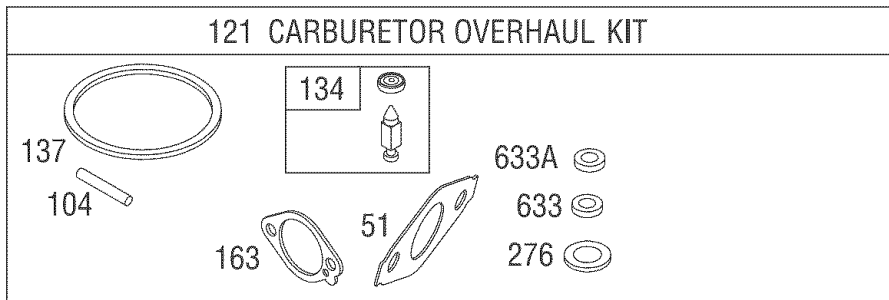
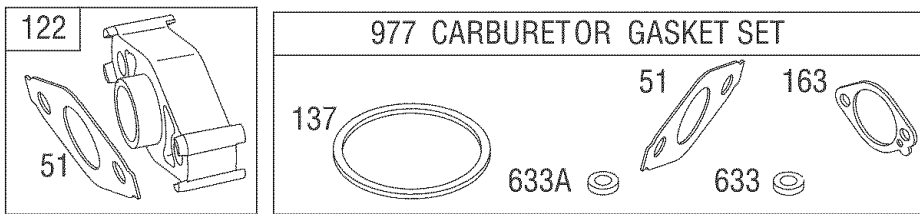
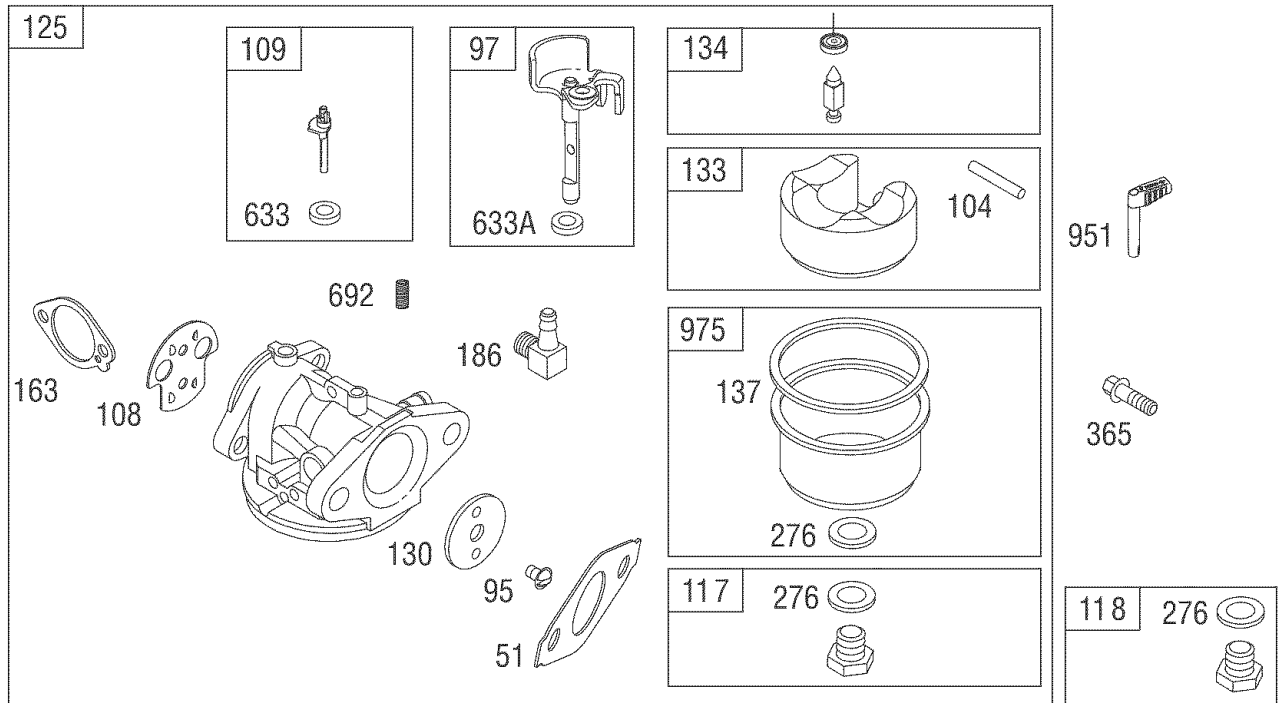
Item	Part #	Description
1	196517GS	WHEEL
2	191267NGS	AXLE
3	191265GS	E-RING
4	*	WASHER, 5/8"
5	B1764GS	SUPPORT, Wheel Kit
6	67989GS	NUT, M8, Flange Serrated
7	*	HHCS, M8- 1.25 x 16

\* - Items without part numbers are common fasteners and are available at local hardware stores.

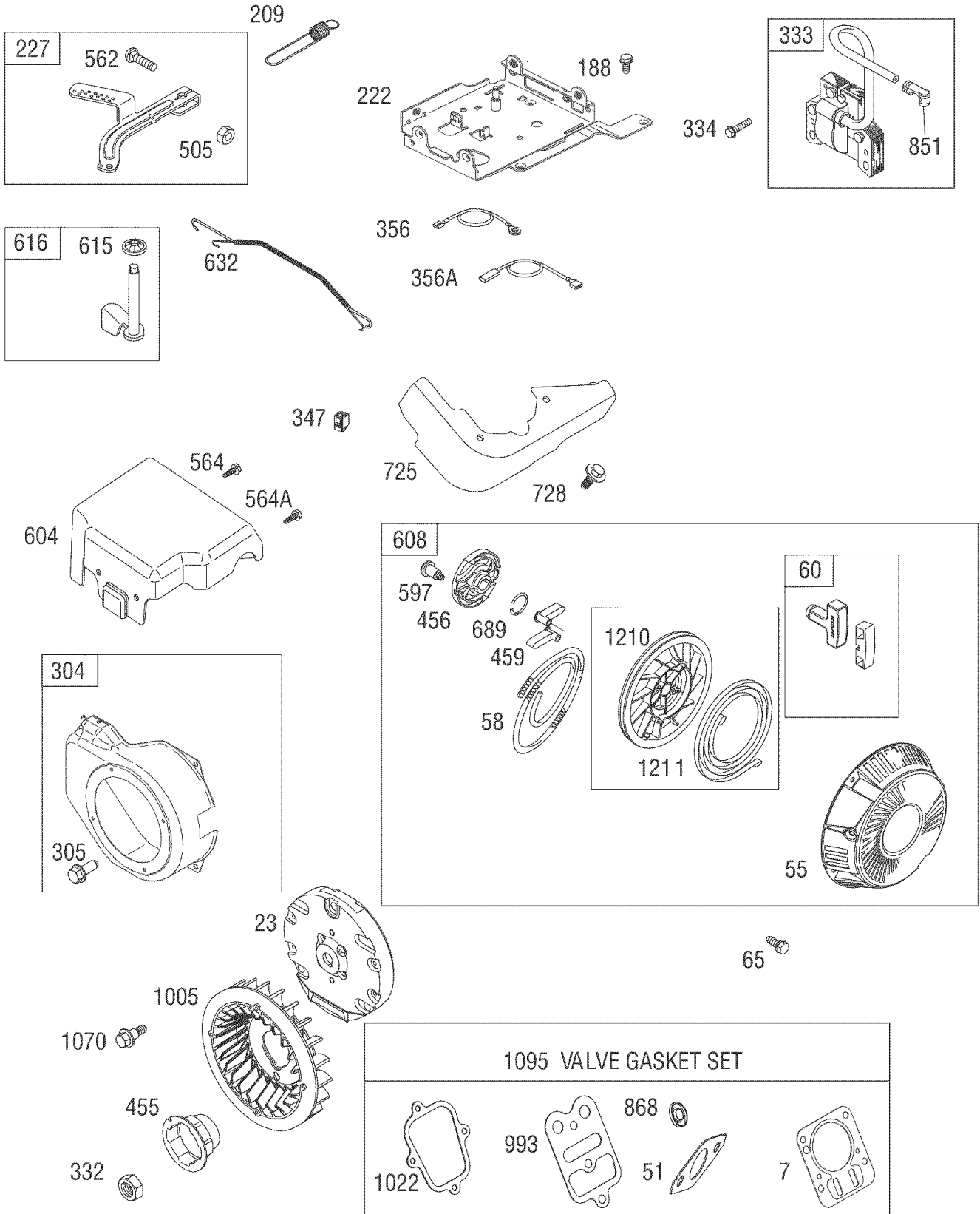
# ENGINE, Briggs and Stratton, 121012 – Exploded View



**ENGINE, Briggs and Stratton, 121012 – Exploded View**



**ENGINE, Briggs and Stratton, 121012 – Exploded View**



## ENGINE, Briggs and Stratton, 121012 – Parts List

Item	Part #	Description	Item	Part #	Description
1	699510	Cylinder Assembly	305	699480	Screw (Blower Housing)
2	399269	Kit-Bushing/Seal (Magneto Side)	306	693610	Shield-Cylinder
3	299819S	† Seal-Oil (Magneto Side)	307	699483	Screw (Cylinder Shield)
5	699486	Head-Cylinder	332	699359	Nut (Flywheel)
7	698210	† ¥ Gasket-Cylinder Head	333	695711	Armature-Magneto
11	790632	Tube-Breather	334	699477	Screw (Magneto Armature)
12	699485	† Gasket-Crankcase	337	491055S	Plug-Spark
13	699482	Screw (Cylinder Head)	347	698338	Switch-Rocker
15	691686	Plug-Oil Drain	356	695630	Stop Wire
15A	691682	Plug-Oil Drain	356A	692602	Stop Wire
16	699443	Crankshaft	358	791797	Gasket Set-Engine
18	699804	Cover-Crankcase	365	699484	Screw (Carburetor)
20	692550	† Seal-Oil (PTO Side)	415	693463	Plug
21	281658S	Cap-Oil Fill	425	699492	Screw (Air Cleaner Cover)
22	699488	Screw (Crankcase Cover)	445	491588S	Filter-A/C Cartridge
23	699488	Flywheel	455	692591	Cup-Flywheel
24	222698S	Key-Flywheel	456	692299	Plate-Pawl Friction
25	791097	Piston Assembly (Standard)	459	281505S	Pawl-Ratchet
	791326	Piston Assembly (.020" Oversize)	505	691251	Nut (Governor Control Lever)
26	791969	Ring Set (Standard)	552	692346	Bushing-Governor Crank
	791324	Ring Set (.020" Oversize)	562	691112	Bolt (Governor Control Lever)
27	691866	Lock-Piston Pin	564	699491	Screw (Control Cover)
28	499423	Pin-Piston	564A	699206	Screw (Control Cover)
29	690124	Rod-Connecting	597	691696	Screw (Pawl Friction Plate)
30	692562	Dipper-Connecting Rod	604	697326	Cover-Control
32	691664	Screw (Connecting Rod)	608	791670	Starter-Rewind
32A	695759	Screw (Connecting Rod)	615	692576	Retainer-Governor Shaft
33	499642	Valve-Exhaust	616	692547	Crank-Governor
34	499641	Valve-Intake	619	699480	Screw (Cylinder Head Plate)
35	691304	Spring-Valve (Intake)	632	693408	Spring/Link –Mechanical Governor
36	691304	Spring-Valve (Exhaust)	633	693867	£ † Seal-Choke/Throttle Shaft
40	692194	Retainer-Valve	633A	691321	£ † Seal-Choke/Throttle Shaft
45	690977	Tappet-Valve	635	692076	Boot-Spark Plug
46	693404	Camshaft	689	691855	Spring-Friction
51	692555	£ † ‡ ¥ Gasket-Intake	692	690572	Spring-Detent
55	791848	Housing-Rewind Starter	718	690959	Pin-Locating
58	66574	Rope-Starter	725	792874	Shield-Heat
60	490652	Grip-Starter Rope	728	699632	Screw (Heat Shield)
65	699228	Screw (Rewind Starter)	741	692565	Gear-Timing
95	691636	Screw (Throttle Valve)	742	692564	Ring-Retaining
97	690024	Throttle Shaft	746	790278	Gear-Idler
104	691242	£ Pin-Float Hinge	830	694544	Stud (Rocker Arm)
108	692567	Valve-Choke	851	493880S	Terminal-Spark Plug
109	790624	Shaft-Choke	868	692044	† ¥ Seal-Valve
117	691428	Jet-Main (Standard)	914	699480	Screw (Rocker Cover) (Bottom)
118	695042	Jet-Main (High Altitude)	914A	692557	Screw (Rocker Cover) (Top)
121	792006	Kit-Carburetor Overhaul	914B	697551	Screw (Rocker Cover) (Sides)
122	693749	Spacer-Carburetor	951	790630	Lever-Choke
125	791991	Carburetor	968	791082	Cover-Air Cleaner
130	691203	Valve-Throttle	971	690370	Screw (Air Cleaner Base)
133	398187	Float-Carburetor	975	493640	Bowl-Float
134	398188	£ Valve-Float Needle	977	697001	Gasket Set-Carburetor
137	693981	£ ‡ Gasket-Float Bowl	993	694088	† ¥ Gasket-Cylinder Head Plate
146	690979	Key-Timing	1005	692592	Fan-Flywheel
155	698214	Plate-Cylinder Head	1022	691890	† ¥ Gasket-Rocker Cover
161	790631	Base-Air Cleaner	1023	499924	Cover-Rocker
163	696024	£ † ‡ Gasket-Air Cleaner	1026	790287	Rod-Push
186	692317	Connector-Hose	1029	691230	Rocker Arm
188	699479	Screw (Control Bracket)	1034	691343	Guide-Push Rod
192	694543	Ball-Rocker Arm	1095	791798	Set-Valve Gasket
209	693206	Spring-Governor	1070	699201	Screw (Flywheel)
219	693578	Gear-Governor	1210	498144	Pulley/Spring Assembly (Pulley)
220	691724	Washer (Governor Gear)	1211	498144	Pulley/Spring Assembly (Spring)
222	793100	Bracket-Control			
227	692573	Lever-Governor Control	†		Included in Engine Gasket Set, Item 358
238	691300	Cap-Valve	£		Included in Carburetor Overhaul Kit, Item 121
276	271716	£ Washer-Sealing	‡		Included in Carburetor Gasket Set, Item 977
304	699598	Housing-Blower	¥		Included in Valve Gasket Set, Item 1095

# NOTES

# EMISSIONS CONTROL SYSTEM WARRANTY

Sears, Roebuck and Co., U.S.A. (Sears), the California Air Resources Board (CARB) and the United States Environmental Protection Agency (U.S.EPA)

## Emissions Control System Warranty Statement (Owner's Defect Warranty Rights and Obligations)

The California Air Resources Board (CARB), U.S. EPA and Sears are pleased to explain the Emissions Control System Warranty on your small offroad engine (SORE). In California, new small offroad engines model year 2006 and later must be designed, built and equipped to meet the State's stringent anti-smog standards.

Elsewhere in the United States, new non-road, spark-ignition engines certified for model year 1997 and later must meet similar standards set forth by the U.S. EPA. Sears must warrant the emissions control system on your engine for the periods of time listed below, provided there has been no abuse, neglect or improper maintenance of your small off-road engine.

Your emissions control system includes parts such as the carburetor, air cleaner, ignition system, fuel line, muffler and catalytic converter. Also included may be connectors and other emissions related assemblies.

Where a warrantable condition exists, Sears will repair your small off-road engine at no cost to you including diagnosis, parts and labor.

### Sears, Roebuck and Co. Emissions Control Defects Warranty Coverage

Small off-road engines are warranted relative to emissions control parts defects for a period of two years, subject to provisions set forth below. If any covered part on your engine is defective, the part will be repaired or replaced by Sears.

#### Owner's Warranty Responsibilities

As the small off-road engine owner, you are responsible for the performance of the required maintenance listed in your Operating and Maintenance Instructions. Sears recommends that you retain all your receipts covering maintenance on your small off-road engine, but Sears cannot deny warranty solely for the lack of receipts or for your failure to ensure the performance of all scheduled maintenance.

As the small off-road engine owner, you should however be aware that Sears may deny your warranty coverage if your small off-road engine or a part has failed due to abuse, neglect, improper maintenance or unapproved modifications.

You are responsible for presenting your small off-road engine to an Authorized Sears Service Dealer as soon as a problem exists.

The undisputed warranty repairs should be completed in a reasonable amount of time, not to exceed 30 days.

If you have any questions regarding your warranty rights and responsibilities, you should contact a Sears Service Representative at 1-800-469-4663.

The emissions warranty is a defects warranty. Defects are judged on normal engine performance. The warranty is not related to an in-use emissions test.

### Sears, Roebuck and Co. Emissions Control Defects Warranty Provisions

The following are specific provisions relative to your Emissions Control Defects Warranty Coverage. It is in addition to the Sears engine warranty for non-regulated engines found in the Operating and Maintenance Instructions.

#### 1. Warranted Parts

Coverage under this warranty extends only to the parts listed below (the emissions control systems parts) to the extent these parts were present on the engine purchased.

- a. Fuel Metering System
  - Cold start enrichment system

- Carburetor and internal parts
- Fuel Pump
- Fuel line, fuel line fittings, clamps
- Fuel tank, cap and tether
- Carbon canister
- b. Air Induction System
  - Air cleaner
  - Intake manifold
  - Purge and vent line
- c. Ignition System
  - Spark plug(s)
  - Magneto ignition system
- d. Catalyst System
  - Catalytic converter
  - Exhaust manifold
  - Air injection system, Pulse valve
- e. Miscellaneous Items
  - Vacuum, temperature, position, time sensitive valves and switches
  - Connectors and assemblies

#### 2. Length of Coverage

Sears warrants to the initial owner and each subsequent purchaser that the Warranted Parts shall be free from defects in materials and workmanship which caused the failure of the Warranted Parts for a period of two years from the date the engine is delivered to a retail purchaser.

#### 3. No Charge

Repair or replacement of any Warranted Part will be performed at no charge to the owner, including diagnostic labor which leads to the determination that a Warranted Part is defective, if the diagnostic work is performed at an Authorized Sears Service Dealer.

#### 4. Claims and Coverage Exclusions

Warranty claims shall be filed in accordance with the provisions of the Sears Engine Warranty Policy. Warranty coverage shall be excluded for failures of Warranted Parts which are not original Sears parts or because of abuse, neglect or improper maintenance as set forth in the Sears Engine Warranty Policy. Sears is not liable to cover failures of Warranted Parts caused by the use of add-on, non-original, or modified parts.

#### 5. Maintenance

Any Warranted Part which is not scheduled for replacement as required maintenance or which is scheduled only for regular inspection to the effect of "repair or replace as necessary" shall be warranted as to defects for the warranty period. Any Warranted Part which is scheduled for replacement as required maintenance shall be warranted as to defects only for the period of time up to the first scheduled replacement for that part. Any replacement part that is equivalent in performance and durability may be used in the performance of any maintenance or repairs. The owner is responsible for the performance of all required maintenance, as defined in the Sears Operating and Maintenance Instructions.

#### 6. Consequential Coverage

Coverage hereunder shall extend to the failure of any engine components caused by the failure of any Warranted Part still under warranty.

In the USA and Canada, a 24-hour hotline, 1-800-469-4663, has a menu of pre-recorded messages offering you product maintenance information.

## Emissions Information

Engines that are certified to meet the California Air Resources Board (CARB) Tier 2 Emission Standards must display information regarding the Emissions Durability Period and Air Index. The engine manufacturer makes this information available to the consumer on emission labels. The engine emission label will indicate certification information.

The **Emissions Durability Period** describes the number of hours of actual running time for which the engine is certified to be emissions compliant, assuming proper maintenance in accordance with the Operating & Maintenance Instructions. The following categories are used:

**Moderate:** Engine is certified to be emission compliant for 125 hours of actual engine running time.

**Intermediate:** Engine is certified to be emission compliant for 250 hours of actual engine running time.

**Extended:** Engine is certified to be emission compliant for 500 hours of actual engine running time.

For example, a typical walk-behind lawn mower is used 20 to 25 hours per year. Therefore, the **Emissions Durability Period** of an engine with an **intermediate** rating would equate to 10 to 12 years.

Certain engines will be certified to meet the United States Environmental Protection Agency (USEPA) Phase 2 emission standards. For phase 2 certified engines, the Emissions Compliance Period referred to on the Emissions Compliance label indicates the number of operating hours for which the engine has been shown to meet Federal emission requirements.

For engines less than 225 cc displacement:

Category C = 125 hours

Category B = 250 hours

Category A = 500 hours

For engines of 225 cc or more:

Category C = 250 hours

Category B = 500 hours

Category A = 1000 hours

## TABLA DE CONTENIDOS

GARANTIA .....	36	ALMACENAMIENTO .....	53
REGLAS DE SEGURIDAD .....	37-39	REPARACION DE AVERIAS .....	54
CONOZCA SU GENERADOR .....	40	NOTAS .....	55-57
MONTAJE .....	41-43	GARANTIA DEL SISTEMA DE CONTROL	
FUNCIONAMIENTO .....	44-47	DE EMISIONES .....	58-59
ESPECIFICACIONES .....	48	COMO ORDENAR PARTES .....	ULTIMA PAGINA
MANTENIMIENTO .....	49-52		

## GARANTIA

### Garantía completa de un año del generador Craftsman

Si el generador falla debido a defectos de materiales o mano de obra en el plazo de un año a partir de la fecha de compra, devuélvalo a cualquier almacén Sears, punto de venta de Craftsman o centro de reparación y repuestos de Sears de los Estados Unidos para su reparación gratuita o, en caso de que ésta no sea posible, para su sustitución.

### Garantía limitada de un año adicional del generador Craftsman

Durante el segundo año a partir de la fecha de compra, si cualquier pieza del generador falla debido a defectos de materiales o mano de obra, se suministrará gratuitamente una nueva pieza. Si desea que se instale la pieza, deberá pagar la mano de obra.

El período de garantía se reducirá a 90 días desde la fecha de compra si el generador se utiliza con fines comerciales o de alquiler. Una vez que el generador se haya usado con fines comerciales o de alquiler, se considerará como equipo de uso comercial o alquiler a efectos de esta garantía.

Esta garantía le otorga determinados derechos legales y es posible que tenga otros derechos que pueden variar de un país o estado a otro.

**Sears, Roebuck and Co., D/817WA, Hoffman Estates, IL 60179 U.S.A.**

# REGLAS DE SEGURIDAD



Este es el símbolo de alerta de seguridad. Es usado para indicarle situaciones con peligros potenciales de lesión para el personal. Siga las instrucciones de todos los mensajes de seguridad que aparecen después de este símbolo para evitar posibles lesiones o muerte.



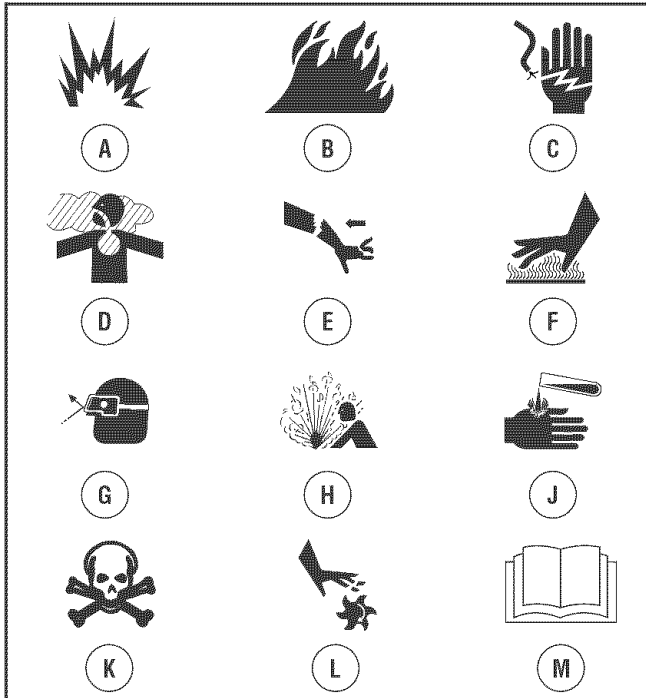
Lea este manual de manera cuidadosa y familiarícese con su generador. Conozca sus usos, sus limitaciones y cualquier peligro relacionado con el mismo.

El símbolo de alerta de seguridad (▲) es usado con una palabra (PELIGRO, ADVERTENCIA, PRECAUCIÓN), un mensaje por escrito o una ilustración, para alertarlo acerca de cualquier situación de peligro que pueda existir. **PELIGRO** indica un riesgo el cual, si no se evita, *causará* la muerte o una herida grave. **ADVERTENCIA** indica un riesgo el cual, si no se evita, *puede* causar la muerte o una herida grave. **PRECAUCIÓN** indica un riesgo, el cual, si no se evita, *puede* causar heridas menores o moderadas. **AVISO** indica una situación que podría resultar en el daño del equipo. Siga los mensajes de seguridad para evitar o reducir los riesgos de heridas e inclusive la muerte.

## ▲ ADVERTENCIA

El escape del motor de este producto contiene elementos químicos reconocidos en el Estado de California por producir cáncer, defectos de nacimiento u otros daños de tipo reproductivo.

## Símbolos de Peligro y Significados



A - Explosión

B - Fuego

C - Descarga Eléctrica

D - Gases Tóxicos

E - Retroceso

F - Superficie Caliente

G - Objets volant

H - Presión Explosiva

J - Quemaduras Químicas

K - Químico Peligroso

L - Partes en Movimiento

M - Manual del Operario

## ▲ PELIGRO



Su Contenido es **NOCIVO O FATAL EN CASO DE SER INGERIDO**. Evite el contacto con los ojos, la piel o la ropa. No tomar internamente. Evite respirar la niebla o el vapor. La exposición excesiva de los ojos o la piel puede causar irritación. Mantenga el estabilizador fuera del alcance de los niños.



El estabilizador de combustible es un químico peligroso.\*\*

- La tapa de combustible FreshStart™ está diseñada para sostener un cartucho el cual contiene el estabilizador de combustible.
- **EN CASO DE SER INGERIDO**, llame un médico inmediatamente. No induzca el vómito. En caso de inhalación salir al aire libre. En caso de contacto con los ojos o con la piel, lavar abundantemente con agua durante 15 minutos.
- Almacene los cartuchos sin abrir en un área fresca, seca y bien ventilada. Mantenga el cartucho abierto en la tapa de combustible, y la tapa de combustible cerrada en el tanque de combustible cuando no esté en uso.
- En caso de la emergencia, contacte a un médico inmediatamente y llame 1-800-424-9300 para la información material de la seguridad.

\*\*El estabilizador de combustible contiene 2,6-di-tert-butilfenol (128-39-2) y destilado de petróleo alifático (64742-47-8).

## ▲ PELIGRO

El uso de un generador en un espacio interior **PUEDE PROVOCAR LA MUERTE EN POCOS MINUTOS**.

Los gases de escape del generador contienen monóxido de carbono, un veneno invisible e inodoro.








**NUNCA** utilice un generador en el interior de una casa o un garaje, **AUNQUE** haya ventanas y puertas abiertas.

Utilícelo solo en el **EXTERIOR**, alejado de ventanas, puertas y aberturas de ventilación.

 <b>ADVERTENCIA</b>	
	<p>Al motor funcionar, se produce monóxido de carbono, un gas inodoro y venenoso.</p> <p>Respirar monóxido de carbono puede provocar dolor de cabeza, fatiga, mareos, vómitos, confusión, ataques, náuseas, desmayos o incluso la muerte.</p>
<ul style="list-style-type: none"> <li>• Opere el generador SOLAMENTE al aire libre.</li> <li>• Instale una alarma de monóxido de carbono con batería cerca de los dormitorios.</li> <li>• Asegúrese de que los gases de escape no puedan entrar por ventanas, puertas, tomas de aire de ventilación u otras aberturas en un espacio cerrado en el que puedan acumularse.</li> <li>• NO arranque ni deje funcionar el motor en interiores ni en zonas cerradas, (aunque haya ventanas y puertas abiertas), incluyendo el compartimiento del generador en un vehículo recreativo o RV.</li> </ul>	



 <b>ADVERTENCIA</b>	
	<p>El retroceso (repliegue rápido) del cable del arrancador puede producir lesiones. El retroceso impedirá que el usuario suelte el cable a tiempo y tirará de su mano y brazo hacia el motor.</p> <p>Como resultado, podrían producirse fracturas, contusiones o esguinces.</p>
<ul style="list-style-type: none"> <li>• Cuando arranque el motor, tire lentamente del cable hasta sentir una resistencia y, a continuación, tire rápidamente de él para evitar su retroceso.</li> <li>• NUNCA arranque o pare el motor cuando haya aparatos eléctricos conectados y en funcionamiento.</li> </ul>	



 <b>ADVERTENCIA</b>	
	<p>Los generadores producen un voltaje muy poderoso.</p> <p>Si no aísla el generador de utilidades de energía, puede hacer que los trabajadores de electricidad sufran heridas graves e inclusive la muerte, debido a la retroalimentación de la energía eléctrica.</p>
<ul style="list-style-type: none"> <li>• Cuando use un generador como poder de energía auxiliar, notifique a la compañía de utilidades. Use el equipo de transferencia aprobado para aislar el generador de otra utilidad eléctrica.</li> <li>• Use un interruptor para la falla del circuito de tierra (GFCI) en cualquier área bastante húmeda o que sea altamente conductiva, tales como terrazas de metal o trabajo hecho con acero.</li> <li>• NO toque los alambres pelados o receptáculos.</li> <li>• NO use un generador con cables eléctricos que estén desgastados, rotos, pelados o dañados de cualquier forma.</li> <li>• NO opere el generador bajo la lluvia.</li> <li>• NO maneje el generador o cables eléctricos mientras esté parado en agua, descalzo o cuando las manos y los pies estén mojados.</li> <li>• NO permita que personas descalificadas o niños operen o sirvan al generador.</li> </ul>	


 <b>ADVERTENCIA</b>	
 	<p>La combustible y sus vapores son extremadamente inflamables y explosivos.</p> <p>El fuego o una explosión pueden causar quemaduras severas e inclusive la muerte.</p>
<p><b>CUANDO ANADA COMBUSTIBLE O VACÍE EL DEPÓSITO:</b></p> <ul style="list-style-type: none"> <li>• Apague el generador (posición OFF) y déjelo enfriar al menos por 2 minutos antes de remover la tapa de la combustible. Afloje la tapa lentamente para dejar que la presión salga del tanque.</li> <li>• Llene o vacíe el depósito de combustible a la intemperie.</li> <li>• NO llene demasiado el tanque. Permita al menos espacio para la expansión del combustible.</li> <li>• Si se ha derramado combustible, espere a que se evapore antes de arrancar el motor.</li> <li>• Mantenga la combustible alejada de chispas, llamas abiertas, pilotos, calor y otras fuentes de ignición.</li> <li>• NO encienda un cigarrillo o fume.</li> </ul> <p><b>CUANDO PONGA EN FUNCIONAMIENTO EL EQUIPO:</b></p> <ul style="list-style-type: none"> <li>• Compruebe que la bujía, el silenciador, el tapón del depósito de combustible y el filtro de aire están instalados.</li> <li>• NO arranque el motor sin la bujía instalada.</li> </ul> <p><b>CUANDO OPERE EL EQUIPO:</b></p> <ul style="list-style-type: none"> <li>• NO incline el motor o el equipo, de tal manera que la combustible se pueda derramar.</li> <li>• Este generador no es apto para el uso en equipos móviles ni en aplicaciones marinas.</li> </ul> <p><b>CUANDO TRANSPORTE O REPARE EL EQUIPO:</b></p> <ul style="list-style-type: none"> <li>• Transporte o repare el equipo con el tanque de combustible vacío, o con la válvula para apagar el combustible, apagada (posición OFF).</li> <li>• Desconecte el cable de la bujía.</li> </ul> <p><b>CUANDO ALMACENE O GUARDE EL EQUIPO CON COMBUSTIBLE EN EL TANQUE:</b></p> <ul style="list-style-type: none"> <li>• Almacene alejado de calderas, estufas, calentadores de agua, secadoras de ropa u otros aparatos electrodomésticos que posean pilotos u otras fuentes de ignición, porque ellos pueden encender los vapores de la combustible.</li> </ul>	

 <b>ADVERTENCIA</b>	
<ul style="list-style-type: none"> <li>• Este generador no cumple la norma 33CFR-183 del cuerpo de guardacostas de EE.UU. y no debe utilizarse en aplicaciones marinas.</li> <li>• El uso de un generador no homologado por cuerpo de guardacostas de EE.UU. puede provocar lesiones y daños materiales.</li> </ul>	

 <b>ADVERTENCIA</b>	
	El contacto con la zona del silenciador puede producir quemaduras graves.
	Los gases y el calor de escape pueden inflamar los materiales combustibles y las estructuras o dañar el depósito de combustible y provocar un incendio.
<ul style="list-style-type: none"> <li>• NO toque las superficies calientes y evite los gases del escape a alta temperatura.</li> <li>• Permita que el equipo se enfríe antes de tocarlo.</li> <li>• Deje un espacio mínimo de 1.5 m (5 pies) alrededor del generador, incluida la parte superior.</li> <li>• El Código de Normativa Federal (CFR, Título 36: Parques, Bosques y Propiedad Pública) obliga a instalar una pantalla apagachispas en los equipos con motor de combustión interno y a mantenerla en buenas condiciones de funcionamiento, conforme a la norma 5100-1C (o posterior) del Servicio Forestal de la USDA. En el Estado de California, la ley exige el uso de una pantalla apagachispas (Sección 4442 del Código de Recursos Públicos de California). En otros estados puede haber leyes similares en vigor.</li> </ul>	

 <b>ADVERTENCIA</b>	
	El arrancador y otras piezas que rotan pueden enredar las manos, el pelo, la ropa, o los accesorios.
<ul style="list-style-type: none"> <li>• NUNCA utilice el generador sin sus carcasas o tapas de protección.</li> <li>• NO use ropa suelta, joyas o elementos que puedan quedar atrapados en el arranque o en otras partes rotatorias.</li> <li>• Ate para arriba el pelo largo y quite la joyería.</li> </ul>	

 <b>ADVERTENCIA</b>	
	Chispear involuntario puede tener como resultado el fuego o el golpe eléctrico.
<p><b>CUANDO AJUSTE O HAGA REPARACIONES A SU MÁQUINA GENERADOR</b></p> <ul style="list-style-type: none"> <li>• Siempre desconecte el alambre de la bujía y colóquelo donde no pueda entrar en contacto con la bujía.</li> </ul> <p><b>CUANDO PRUEBE LA BUJÍA DEL MOTOR</b></p> <ul style="list-style-type: none"> <li>• Utilice un comprobador de bujías homologado.</li> <li>• NO compruebe la chispa sin la bujía instalada.</li> </ul>	

 <b>PRECAUCIÓN</b>	
Las velocidades de operación en exceso, aumentan los riesgos de heridas y daños al generador.	
Las velocidades bajan en exceso, imponen una carga muy pesada.	
<ul style="list-style-type: none"> <li>• NO cambie ninguna velocidad determinada. El generador suministra una frecuencia y un voltaje calificado cuando funciona a una velocidad determinada.</li> <li>• NO modifique al generador en ninguna forma.</li> </ul>	

<b>AVISO</b>	
El sobrepasar la capacidad del amperaje y vataje del generador, puede dañar al generador y los aparatos eléctricos conectados al mismo.	
<ul style="list-style-type: none"> <li>• Vea <i>No sobrecargue generador</i>.</li> <li>• Encienda su generador y deje que el motor se estabilice antes de conectar las cargas eléctricas.</li> <li>• Conecte las cargas eléctricas en la posición de apagado (OFF), luego encienda (ON) para su operación.</li> <li>• Apague (OFF) las cargas eléctricas y desconéctelas del generador antes de parar el generador.</li> </ul>	

<b>AVISO</b>	
El tratamiento inadecuado del generador puede dañarlo y acortar su vida productiva.	
<ul style="list-style-type: none"> <li>• Use el generador solamente con la finalidad para el cual fue diseñado.</li> <li>• En caso de dudas sobre su uso, diríjase al distribuidor.</li> <li>• Opere el generador solamente en superficies niveladas.</li> <li>• NO exponga al generador a una humedad excesiva, polvo, suciedad o vapores corrosivos.</li> <li>• NO inserte cualquier objeto a través de las ranuras de enfriamiento.</li> <li>• Si los aparatos conectados se sobrecalientan, apáguelos y desconéctelos del generador.</li> <li>• Apague el generador si: <ul style="list-style-type: none"> <li>-Se pierde la salida eléctrica;</li> <li>-El equipo produce chispas, humo o emite llamas;</li> <li>-La unidad vibra de una manera excesiva.</li> </ul> </li> </ul>	

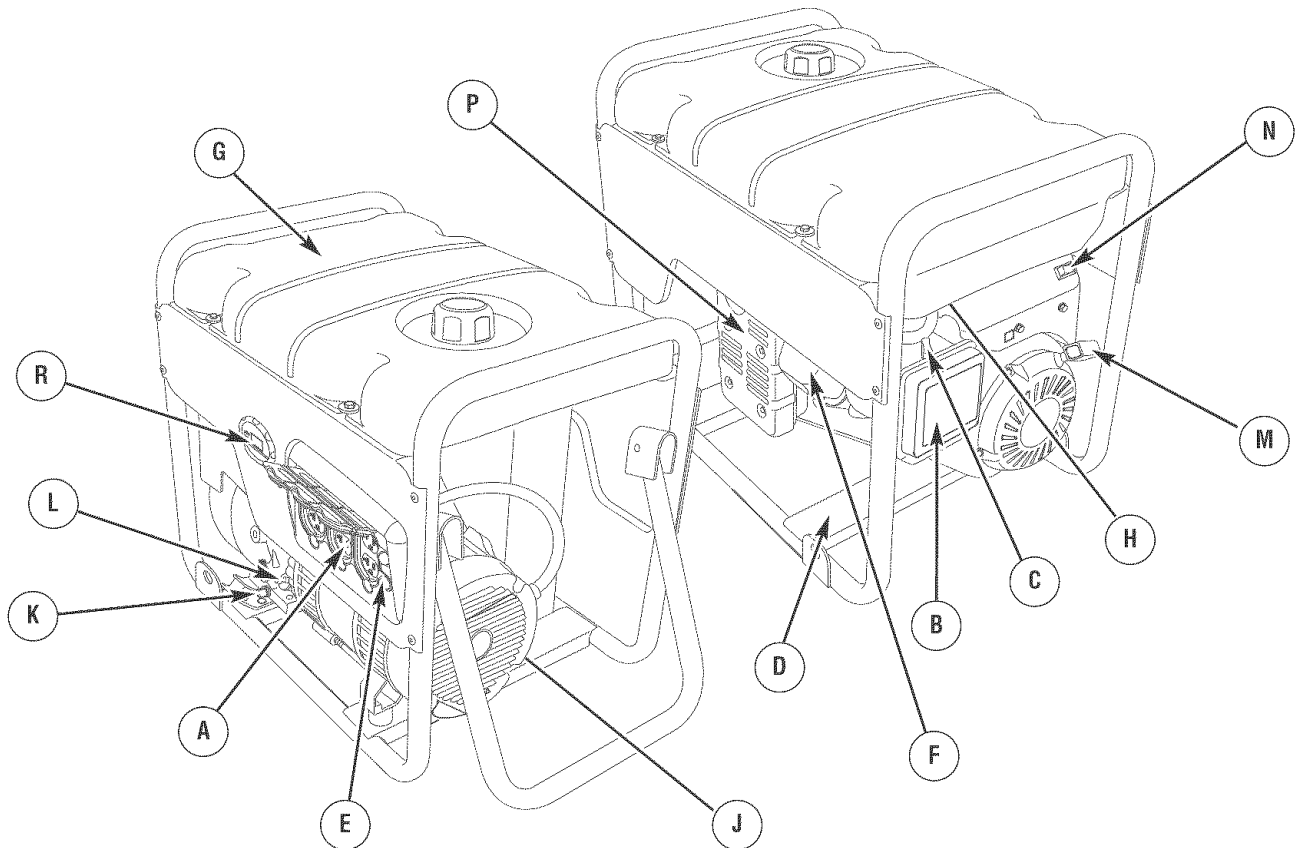
# CARACTERÍSTICAS Y CONTROLES

## Conozca su Generador



Lea este manual del operario y las reglas de seguridad antes de operar su generador.

Compare las ilustraciones con su generador para familiarizarse con la ubicación de los diferentes controles y ajustes. Conserve este manual para referencias futuras.



**A - Tomacorriente Dobles de 120 Voltios AC, 20 Amp** — Pueden ser utilizados para suministrar alimentación eléctrica para el funcionamiento de cargas del motor, herramientas, aparatos especiales e iluminación eléctrica de 120 Voltios AC a 20 Amperios, monofásica de 60 Hz.

**B - Depurador de Aire** — Filtra el aire de entrada a medida que penetra en el motor.

**C - Palanca Estranguladora** — Usada cuando se está dando arranque a un motor frío.

**D - Etiqueta de Datos** — Proporciona el modelo, revisión y el número de serie de generador. Tenga por favor estos prontamente disponible cuándo llamar para la ayuda.

**E - Cortacircuitos (AC)** — Cada tomacorriente posee un cortacircuito para proteger el generador contra sobrecargas eléctricas. Los cortacircuitos son del tipo "oprimir para reposicionar".

**F - Identificación del Motor** — Indica el modelo, tipo y código del motor. Tenga por favor estos prontamente disponible cuándo llamar para la ayuda.

**G - Tanque del Combustible** — El tanque tiene una capacidad de 15 L (4 galones americanos) de gasolina sin contenido de plomo.

**H - Válvula de Combustible** — Permite abrir y cerrar la alimentación de combustible al motor.

**J - Conector de Tierra** — Consulte con el organismo responsable de la normativa vigente de conexión a tierra.

**K - Tapón de Vaciado de Aceite** — Permite vaciar el aceite del motor.

**L - Tapa del Depósito del Aceite** — Llène el motor con aceite aquí.

**M - Culatazo el Principio** — Usó para comenzar motor.

**N - Interruptor Balancín** — Deberá estar en la posición "On" (En) para darle arranque al motor. Colóquelo en la posición "Off" (Apagado) para detener un motor en funcionamiento.

**P - Silenciador Apagachispas** — El silenciador disminuye el ruido del motor y está equipado con una pantalla apagachispas.

**R - StatStation™** — Muestra la carga nominal del generador en función de la frecuencia de salida. También incluye una función de aviso de mantenimiento integrada.

# MONTAJE

Su generador requiere de ciertos procedimientos de montaje y solo estará listo para ser utilizado después de haberle suministrado servicio con el combustible y aceite recomendados.

**Si usted tiene problemas con el montaje de su generador, por favor llame a la línea de ayuda para generadores al 1-800-222-3136.**

## Desembalaje del Generador

1. Coloque la caja de cartón en una superficie rígida y plana.
2. Saque todo el contenido de la caja de cartón, a excepción del generador.
3. Abra completamente la caja de cartón cortando cada una de sus esquinas de arriba abajo.
4. Mantenga el generador sobre el cartón para instalar el juego de ruedas.

## Contenido de la Caja

Revise todo el contenido comparándolo con la lista a continuación:

- Unidad Principal
- Aceite del Motor
- Manual del Operario
- Juego de Ruedas
- Juego de Cables del Adaptador

Si cualquier parte falta o está dañada, llame a la Línea de Ayuda del Generador al **1-800-222-3136**.

## Instale el Juego de Ruedas

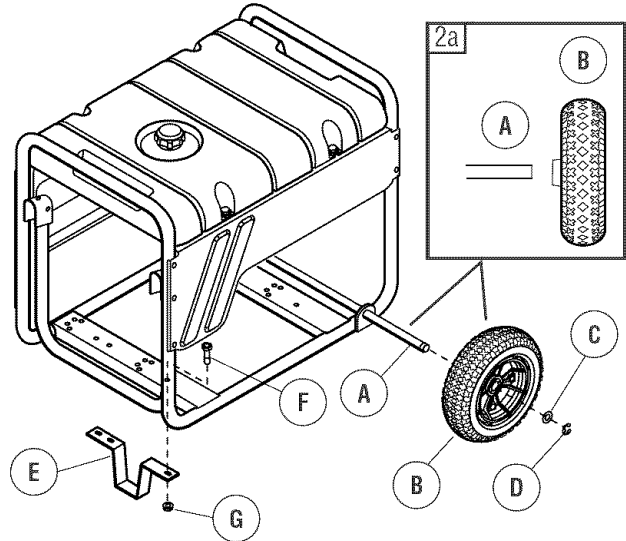
**NOTA:** El juego de ruedas no está diseñado para uso en carretera. NO remolque la unidad con un vehículo con tracción mecánica.

Necesitará las siguientes herramientas para instalar estos componentes:

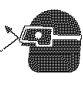
- Llave de 13 mm
- Llave de cubo de 13 mm
- Alicates
- Gafas de seguridad

**Instale el juego de ruedas conforme a las instrucciones siguientes:**

1. Dele la vuelta al generador de forma que el motor quede arriba.
2. Introduzca el eje (A) a través de los dos soportes de montaje.
3. Coloque una rueda (B) en cada extremo, cuando mostrado.



4. Introduzca una arandela (C) por el eje y coloque una anilla en "e" (D) en la ranura del eje.
5. Para ello, apriete con unos alicates desde la parte superior de la anilla en "e" hacia la parte inferior del eje.

<b>PRECAUCIÓN</b>	
	Las anillas en "e" pueden provocar lesiones oculares. Las anillas en "e" pueden salir disparadas durante el montaje o el desmontaje.
• Utilice siempre protección ocular para montar o desmontar anillas en "e".	

6. Repita los pasos del 3 al 5 para asegurar la segunda rueda.
7. Dele la vuelta al generador de forma que el lado del motor quede abajo.
8. Haga coincidir los orificios de la pata de apoyo (E) con los del bastidor del generador.
9. Monte la pata de apoyo con dos tornillos de cabeza cortos (M8 x 16 mm) (F) y dos tuercas hexagonales (G). Apriete con una llave de cubo de 13 mm.
10. Vuelva a colocar el generador en la posición normal de funcionamiento (apoyado en las ruedas y la pata de apoyo).

# Antes de Darle Arranque al Generador

## Agregar Aceite al Motor

1. Coloque la generador en una superficie plana y nivelada.
2. Limpie la zona de alrededor del orificio de llenado de aceite y quite el tapón amarillo.

**NOTA:** Consulte la sección *Aceite* para ver las recomendaciones relativas al aceite. Compruebe que la botella de aceite suministrada tiene la viscosidad adecuada para la temperatura ambiente actual.

3. Con la ayuda de un embudo (opcional), vierta lentamente todo el contenido de la botella de aceite (0,53 l - 18 onzas) por el orificio de llenado de aceite.

### AVISO

El tratamiento inadecuado del generador puede dañarlo y acortar su vida productiva.

- NO procure acodar ni empezar el motor antes ha sido atendido a apropiadamente con el aceite recomendado. Esto puede tener como resultado una avería del motor.

4. Vuelva a colocar el tapón y apriételo firmemente.

## Agregue combustible

El combustible debe reunir los siguientes requisitos:

- Gasolina sin plomo limpia y nueva.
- Un mínimo de 87 octanos/87 AKI (91 RON). Para uso a gran altitud, consulte *Gran altitud*.
- El motor admite gasolina con hasta un 10% de etanol (gasohol) o hasta un 15% de MTBE (éter metil terbutílico).

### AVISO

Evite el daño del generador.

El fracaso para seguir Manual de Operario para el combustible reccomendations garantía de vacíos.

- NO utilice gasolina no autorizada; por ejemplo, E85.
- NO mezcle aceite con gasolina.
- NO modifique el motor para hacerlo funcionar con otros combustibles.

Para evitar la formación de carbonilla en el circuito de combustible, siempre que añada combustible, mézclelo con un estabilizador. Consulte *Almacenamiento*. No todos los combustibles son iguales. Si detecta problemas de arranque o de rendimiento después de utilizar un combustible, pruebe a cambiar de proveedor o de marca. Este motor está certificado para funcionar con gasolina. Su sistema de control de emisiones es EM (Modificaciones del motor).



### ADVERTENCIA



La combustible y sus vapores son extremadamente inflamables y explosivos.

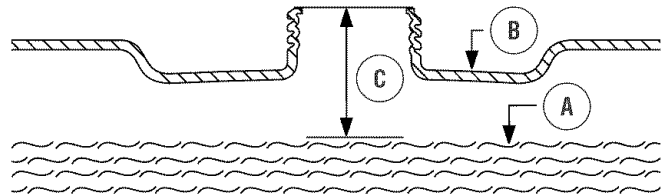


El fuego o una explosión pueden causar quemaduras severas e inclusive la muerte.

### CUANDO ANADA COMBUSTIBLE

- Apague el generador (posición OFF) y déjelo enfriar al menos por 2 minutos antes de remover la tapa de la combustible. Afloje la tapa lentamente para dejar que la presión salga del tanque.
- Llene o vacíe el depósito de combustible a la intemperie.
- NO llene demasiado el tanque. Permita al menos espacio para la expansión del combustible.
- Si se ha derramado combustible, espere a que se evapore antes de arrancar el motor.
- Mantenga la combustible alejada de chispas, llamas abiertas, pilotos, calor y otras fuentes de ignición.
- NO encienda un cigarrillo o fume.




1. Limpie el área alrededor de la tapa de llenado del combustible, retire la tapa.
2. Añada lentamente gasolina sin plomo (A) al depósito de combustible (B). NO añada combustible en exceso. Deje aproximadamente 4 cm (1,5") de espacio en el depósito (C) para permitir la expansión del combustible, como se muestra.



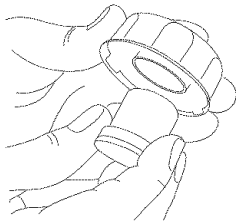
3. Instale la tapa del tanque de combustible y la espera para algún combustible rociado para evaporar.

## Tapón de Combustible para Mejorar el Arranque

El uso de conservante de combustible mantiene el combustible en buen estado y limpia los carburadores, lo que facilita el arranque en todas las estaciones del año. El nuevo tapón de combustible gotea automáticamente conservante concentrado en el depósito de combustible.

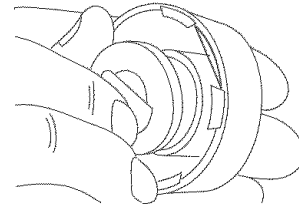
 <b>PELIGRO</b>	
	Su Contenido es <b>NOCIVO O FATAL EN CASO DE SER INGERIDO</b> . Evite el contacto con los ojos, la piel o la ropa. No tomar internamente. Evite respirar la niebla o el vapor. La exposición excesiva de los ojos o la piel puede causar irritación. Mantenga el estabilizador fuera del alcance de los niños. El estabilizador de combustible es un químico peligroso. **
	
<ul style="list-style-type: none"><li>• EN CASO DE SER INGERIDO, llame un medico inmediatamente.</li><li>• En caso de la emergencia, contacte a un médico inmediatamente y llame 1-800-424-9300 para la información material de la seguridad.</li></ul>	
<small>**El estabilizador de combustible contiene 2,6-di-tert-butilfenol (128-39-2) y destilado de petróleo alifático (64742-47-8).</small>	

1. Introduzca el cartucho en el tapón.



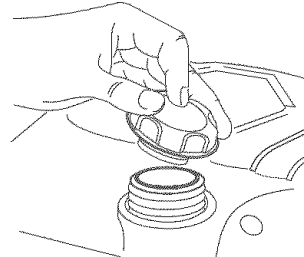
2. Presione hasta que el cartucho encaje en su posición.

3. Retire la lengüeta para dejar la membrana al descubierto.



**IMPORTANTE:** NO retire el cierre plateado del otro lado.

4. Vuelva a colocar el tapón de combustible en el depósito.



5. Compruebe periódicamente el cartucho para asegurarse de que siga conteniendo estabilizador de combustible. Si está vacío, cambie el cartucho por uno nuevo.

## Gran altitud

En altitudes superiores a 1.524 metros (5.000 pies), se deberá utilizar gasolina con un mínimo de 85 octanos / 85 AKI (89 RON). Para seguir cumpliendo la normativa sobre emisiones, es necesario ajustar la unidad para su uso a gran altitud. De no realizarse este ajuste, el rendimiento se reducirá y el consumo de combustible y las emisiones aumentarán. Para obtener más información sobre el ajuste para gran altitud, consulte con un distribuidor cualificado de Sears. No se recomienda utilizar el motor a altitudes inferiores a 762 metros (2.500 pies) con el juego de gran altitud.

# FUNCIONAMIENTO

## Como Usar Su Generador

SI TIENE PROBLEMAS operando su generador después de leer el manual, por favor llame a la línea de ayuda para generadores al **1-800-222-3136**.

### Tierra del Sistema

El generador dispone de una conexión a tierra del sistema que conecta los componentes del bastidor a los terminales de tierra de los enchufes hembra de salida de CA. La tierra del sistema está conectada al cable de CA neutro que, a su vez, está conectado al bastidor del generador.

### Requisitos Especiales

Es posible que haya normas u ordenanzas locales y nacionales en materia de seguridad e higiene en el trabajo aplicables al uso del generador. Consulte con un electricista cualificado, un inspector eléctrico o el organismo competente.

- En algunas zonas, es obligatorio registrar los generadores en las compañías eléctricas locales.
- Si el generador se utiliza en una obra, puede ser necesario cumplir normas y requisitos adicionales.

### Conexión al Sistema Eléctrico de un Edificio

Las conexiones a efectos de alimentación de reserva al sistema eléctrico de un edificio deben ser realizadas por un electricista cualificado. La conexión debe aislar la alimentación del generador de la alimentación de la red pública y debe cumplir todas las leyes y normas eléctricas vigentes.

<b>⚠ ADVERTENCIA</b>	
	<p>Los generadores producen un voltaje muy poderoso.</p> <p>Si no aísla el generador de utilidades de energía, puede hacer que los trabajadores de electricidad sufran heridas graves e inclusive la muerte, debido a la retroalimentación de la energía eléctrica.</p>
<ul style="list-style-type: none"> <li>• Cuando use un generador como poder de energía auxiliar, notifique a la compañía de utilidades. Use el equipo de transferencia aprobado para aislar el generador de otra utilidad eléctrica.</li> <li>• Use un interruptor para la falla del circuito de tierra (GFCI) en cualquier área bastante húmeda o que sea altamente conductiva, tales como terrazas de metal o trabajo hecho con acero.</li> <li>• NO toque los alambres pelados o receptáculos.</li> <li>• NO use un generador con cables eléctricos que estén desgastados, rotos, pelados o dañados de cualquier forma.</li> <li>• NO opere el generador bajo la lluvia.</li> <li>• NO maneje el generador o cables eléctricos mientras esté parado en agua, descalzo o cuando las manos y los pies estén mojados.</li> <li>• NO permita que personas descalificadas o niños operen o sirvan al generador.</li> </ul>	

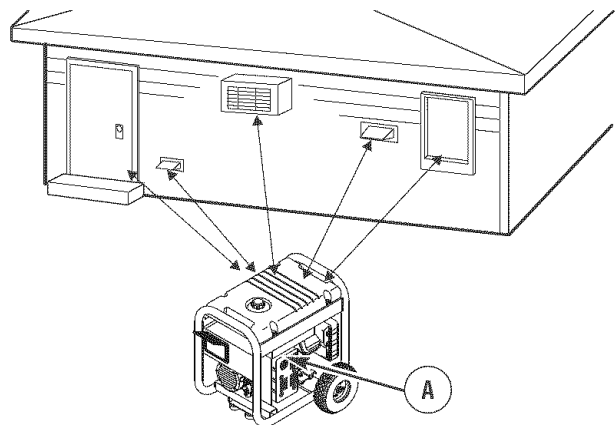
## Ubicación del Generador

### Espacio Libre Alrededor del Generador

<b>⚠ ADVERTENCIA</b>	
	<p>Los gases y el calor de escape pueden inflamar los materiales combustibles y las estructuras o dañar el depósito de combustible y provocar un incendio.</p> <ul style="list-style-type: none"> <li>• Deje un espacio mínimo de 1.5 m (5 pies) alrededor del generador, incluida la parte superior.</li> </ul>

Coloque la generador a la intemperie en una zona en donde no se acumulen gases de escape mortales. NO instale el generador en lugares en los que los gases de escape (A) se puedan acumular o entrar en un edificio que pueda estar ocupado. Asegúrese de que los gases de escape no puedan entrar por ventanas, puertas, tomas de aire de ventilación u otras aberturas en un espacio cerrado en el que puedan acumularse. Tenga en cuenta los vientos y las corriente de aire preponderantes cuando elija la ubicación del generador.

<b>⚠ PELIGRO</b>	
<p><b>El uso de un generador en un espacio interior PUEDE PROVOCAR LA MUERTE EN POCOS MINUTOS.</b></p> <p>Los gases de escape del generador contienen monóxido de carbono, un veneno invisible e inodoro.</p>	
<p><b>NUNCA</b> utilice un generador en el interior de una casa o un garaje, AUNQUE haya ventanas y puertas abiertas.</p>	<p>Utilícelo solo en el EXTERIOR, alejado de ventanas, puertas y aberturas de ventilación.</p>



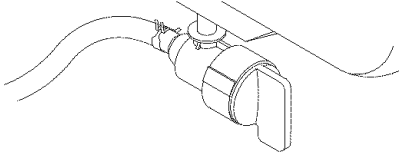
## Encienda el Motor

Desconecte todas las cargas eléctricas del generador. NUNCA arranque o pare el motor cuando haya aparatos eléctricos conectados y en funcionamiento. Siga las instrucciones de puesta en marcha en orden numérico.

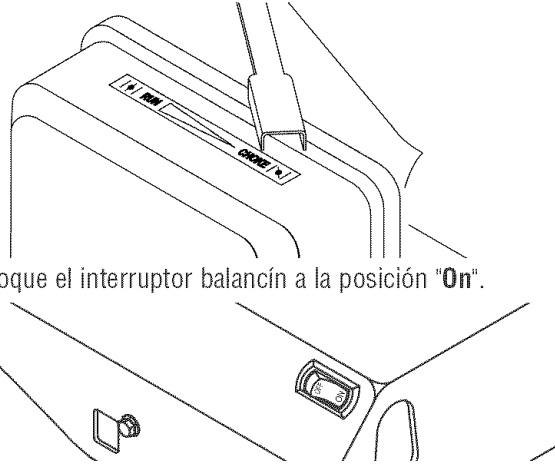
1. Asegúrese de que la unidad está en una superficie plana.

**IMPORTANTE:** Si la unidad no se arranca y utiliza en una superficie plana, se pueden producir problemas de arranque y de parada durante el funcionamiento.

2. Gire la válvula del combustible a la posición "On". El asidero de la válvula del combustible debe ser vertical (señalar hacia el suelo) para el combustible para fluir.



3. Coloque la palanca de choke en la posición "Choke".



4. Coloque el interruptor balancín a la posición "On".

5. Agarre la manilla de retroceso y hale lentamente hasta que puede sentir un poco de resistencia. Luego hale rápidamente para encender el motor.

 <b>ADVERTENCIA</b>	
	<p>El retroceso (repliegue rápido) del cable del arrancador puede producir lesiones. El retroceso impedirá que el usuario suelte el cable a tiempo y tirará de su mano y brazo hacia el motor. Como resultado, podrían producirse fracturas, contusiones o esguinces.</p>
<ul style="list-style-type: none"><li>• Cuando arranque el motor, tire lentamente del cable hasta sentir una resistencia y, a continuación, tire rápidamente de él para evitar su retroceso.</li><li>• NUNCA arranque o pare el motor cuando haya aparatos eléctricos conectados y en funcionamiento.</li></ul>	

**IMPORTANTE:** Si el motor se desborda, coloque la palanca estranguladora en la posición "Run" e intente arrancarlo hasta conseguirlo.

6. Mueva la palanca de choke a la posición "Run" una distancia corta a la vez por algunos segundos en un clima cálido, o algunos minutos en un clima frío. Deje que el motor corra suavemente antes de cada cambio. Opere con el choke en la posición "Run".

**NOTA:** Si el motor arranca después de tirar tres veces del arrancador pero no sigue funcionando, o si la unidad se para en funcionamiento, asegúrese de que la unidad está en una superficie plana y compruebe que el nivel de aceite del cigüeñal es correcto. La unidad puede equiparse con un dispositivo de protección de bajo nivel de aceite. En caso afirmativo, el nivel del aceite debe ser adecuado para que el motor arranque.

 <b>ADVERTENCIA</b>	
	<p>El contacto con la zona del silenciador puede producir quemaduras graves.</p>
	<p>Los gases y el calor de escape pueden inflamar los materiales combustibles y las estructuras o dañar el depósito de combustible y provocar un incendio.</p>
<ul style="list-style-type: none"><li>• NO toque las superficies calientes y evite los gases del escape a alta temperatura.</li><li>• Permita que el equipo se enfríe antes de tocarlo.</li><li>• Deje un espacio mínimo de 1.5 m (5 pies) alrededor del generador, incluida la parte superior.</li><li>• El Código de Normativa Federal (CFR, Título 36: Parques, Bosques y Propiedad Pública) obliga a instalar una pantalla apagachispas en los equipos con motor de combustión interno y a mantenerla en buenas condiciones de funcionamiento, conforme a la norma 5100-1C (o posterior) del Servicio Forestal de la USDA. En el Estado de California, la ley exige el uso de una pantalla apagachispas (Sección 4442 del Código de Recursos Públicos de California). En otros estados puede haber leyes similares en vigor.</li></ul>	



## Conexion de Cargas Electricas

- Deje que el motor se estabilice y se caliente por unos minutos después del arranque.
- Enchufe y encienda las cargas eléctricas AC de 120 Voltios, monofásicas de 60 Hertzios deseadas.
- NO conecte cargas de 240 Voltios a los tomacorrientes de 120 Voltios.
- NO conecte cargas trifásicas a los tomacorrientes.
- NO conecte cargas de 50 Hertzios al generador.
- NO SOBRECARGUE GENERADOR. Vea *No Sobrecargue Generador*.

<b>AVISO</b>	
<p>El sobrepasar la capacidad del amperaje y vataje del generador, puede dañar al generador y los aparatos eléctricos conectados al mismo.</p>	
<ul style="list-style-type: none"><li>• Vea <i>No sobrecargue generador</i>.</li><li>• Encienda su generador y deje que el motor se estabilice antes de conectar las cargas eléctricas.</li><li>• Conecte las cargas eléctricas en la posición de apagado (OFF), luego encienda (ON) para su operación.</li><li>• Apague (OFF) las cargas eléctricas y desconéctelas del generador antes de parar el generador.</li></ul>	

## Detener el Motor

1. Desconecte todas las cargas eléctricas de la unidad. Nunca arranque o detenga el motor con dispositivos eléctricos conectados a él y encendidos.
2. Permita que el motor funcione sin carga durante dos minutos para estabilizar las temperaturas internas de la unidad.
3. Mueva el interruptor del motor a la posición "Off" (Apagado).

 <b>ADVERTENCIA</b>	
	El motor podría petardear, incendiarse o dañarse.
<ul style="list-style-type: none"><li>• NO coloque la palanca estranguladora en la posición "Choke" para parar el motor.</li></ul>	

4. Gire la válvula a la posición "Off" (Apagado).

## Juegos de cordones y enchufes conectores

Utilice exclusivamente cables prolongadores de alta calidad, bien aislados y con conexión a tierra para la toma doble de 120 V del generador. Examine los cables prolongadores antes de cada uso.

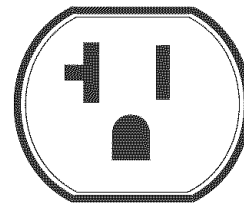
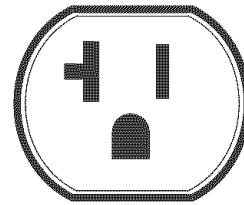
Revise las capacidades de todos los cordones de extensión antes de usarlos. Los juegos de cordones de extensión utilizados deberán tener una capacidad de 125 Voltios AC a 20 Amperios o mayor para la mayoría de los dispositivos eléctricos. Sin embargo, algunos dispositivos podrían no requerir este tipo de cordón de extensión. Revise el manual del propietario de esos dispositivos para ver las recomendaciones del fabricante.

Utilice cables prolongadores de la menor longitud posible para reducir al mínimo la caída de tensión.

 <b>ADVERTENCIA</b>	
	Los cables eléctricos sobrecargados pueden recalentarse, formar un arco o quemarse, provocando la muerte, lesiones y/o daños materiales.
<ul style="list-style-type: none"><li>• Utilice exclusivamente cables regulados para las cargas aplicadas.</li><li>• Respete todas las medidas de seguridad de los cables eléctricos.</li></ul>	

## Tomas eléctricas dobles de 120 V CA y 20 A

Cada receptáculo está protegido en contra de sobrecargas por un corto-circuitos de, del tipo "empuje para reposicionar".



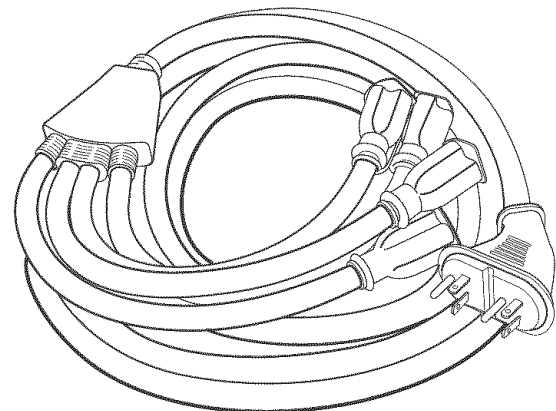
Use cada receptáculo para operar 120 Voltios AC, de fase sencilla, de cargas de 60Hz que requieren hasta 2,400 vatios (2.4 kW) a corrientes de 20 Amps. Use los juegos de cables que son calificados para cargas de 125 Voltios AC, a 20 Amps (o mayores).

<b>AVISO</b>	
Las tomas eléctricas pueden marcar un valor nominal mayor que la capacidad de salida del generador.	
<ul style="list-style-type: none"><li>• NUNCA intente conectar un dispositivo que requiera más amperaje del que el generador o la toma eléctrica pueden suministrar.</li><li>• NO sobrecargar el generador. Véase <i>No sobrecargar el generador</i>.</li></ul>	

## Juego de cables del adaptador del generador

El generador está equipado con un Juego de Cables del Adaptador del Generador de 25 pies, diseñado para un circuito neutro a tierra de 120 voltios, 20 Amperios.

La carga máxima en cada tomacorriente es de 20 Amperios. La carga máxima total tanto en el tomacorriente de cable amarillo como el tomacorriente de cable negro, es de 20 Amperios.



**NOTA:** Siga todas las instrucciones de seguridad cuando conecte cualquier cable de extensión o aparato al generador.

## No Sobrecargue Generador

### Capacidad

Usted debe asegurarse que su generador puede proveer el suficiente vataje calificado (cuando esté funcionando) y de carga (al encender) para los aparatos a los cuales va a proveer la energía, al mismo tiempo. Siga estos pasos:

1. Seleccione los aparatos que recibirán la energía, al mismo tiempo.
2. Totalice los vatios calificados (cuando esté funcionando) de estos aparatos. Esta es la cantidad de energía que su generador debe producir para mantener esos aparatos funcionando adecuadamente.
3. Calcule la cantidad de vatios de carga (al encender) que usted necesitará. El vataje de carga es la cantidad mínima de electricidad, necesaria para encender herramientas o aparatos con motores eléctricos, tales como, sierras circulares o refrigeradores. Debido a que no todos los motores se encienden al mismo momento, el vataje total de carga se puede estimar al añadir solamente el(los) aparato(s) con el vataje adicional más alto, al total del vataje calificado, obtenido en el paso 2.

### Ejemplo:

Herramienta o Aparato Eléctrico	(cuando esté funcionando)	Vatios Adicionales de Carga (al encender)
Aire Acondicionado de Ventana	1200	1800
Refrigerador	800	1600
Congelador industrial	500	500
Televisión	500	-
Luz (75 Vatios)	75	-
	Total = 3075 Vatios para funcionar	1800 (Vatios de Carga más alto)

Vataje Total Calificado (cuando esté funcionando) = 3075

Vataje de Carga Adicional más alto = 1800

Salida Total Requerida del Generador = 4875

**NOTA:** El nivel nominal de vatios (en funcionamiento) no puede ser superior a 3.600. Dada esta limitación, el nivel adicional de vatios (arranque) no puede ser superior a 5.300.

### Control de la Energía

Para prolongar la vida de su generador y los aparatos que estén conectados al mismo, es muy importante cuidarlo cuando se le añaden cargas eléctricas. Nada debería estar conectado a los tomacorrientes del generador antes de que su motor sea encendido. La forma correcta y más segura para controlar la energía del generador, es la de añadir en secuencias las cargas, como se describe a continuación:

1. Sin tener nada conectado al generador, encienda el motor de la manera descrita en este manual.
2. Conecte y encienda la primera carga, preferiblemente la mayor que usted tenga.

3. Permita que la salida del generador se estabilice (el motor funciona suavemente y el aparato conectado al mismo trabaja adecuadamente).
4. Conecte y encienda la próxima carga.
5. De nuevo, permita que el generador se estabilice.
6. Repita los pasos 4 y 5 para cada carga adicional que usted tenga.

NUNCA añada más cargas sobre la capacidad del generador. Tome una atención especial en considerar las cargas de corriente según la capacidad del generador, como se describe arriba.

Herramienta o Aparato Eléctrico	Calificados* (cuando esté funcionando)	Adicionales de Carga (al encender)
<b>Esenciales</b>		
Bombilla - 75 vatios	75	-
Congelador industrial	500	500
Bomba de aguas negras	800	1200
Refrigerador / congelador - 18 pies cúbicos	800	1600
Bomba de agua - 1/3 HP	1000	2000
<b>Calefacción / enfriamiento</b>		
Aire Acond. de ventana - 10.000 BTU	1200	1800
Ventilador de ventana	300	600
Calefactor de caldera - 1/2 HP	800	1300
<b>Cocina</b>		
Horno de microondas - 1.000 Vatios	1000	-
Cafetera	1500	-
Cocina eléctrica - Elemento simple	1500	-
Calentaplatos	2500	-
<b>Habitación Familiar</b>		
Tocador de DVD/CD	100	-
VCR	100	-
Receptor estéreo	450	-
Televisor a color - 27 pulg.	500	-
Computadora personal con monitor de 17 pulg.	800	-
<b>Otros</b>		
Sistema de seguridad	180	-
Radio-Reloj AM/FM	300	-
Abridor de garaje - 1/2 HP	480	520
Calentador eléctrico de agua - 40 galones	4000	-
<b>Taller</b>		
Luz de halógeno para trabajar	1000	-
Rociador sin aire - 1/3 HP	600	1200
Sierra intercambiable	960	960
Taladro eléctrico - 1/2 HP	1000	1000
Sierra circular - 7 1/4 pulg.	1500	1500
Sierra inglete - 10 pulg.	1800	1800
Mesa de planificación - 6 pulg.	1800	1800
Sierra de mesa / sierra de brazo radial - 10 pulg.	2000	2000
Compresor de aire - 1-1/2 HP HP = Caballo de fuerza.	2500	2500

\*El vataje que aparece en la lista es solamente una cantidad aproximada. Verifique la herramienta o aparato eléctrico para obtener el vataje verdadero.

# ESPECIFICACIONES

## Información técnica sobre el motor

El motor es de uno cilindros, de válvulas en cabeza (OHV), refrigerado por aire y de baja emisión.

En el Estado de California, los motores de la 120000 han obtenido la certificación del California Air Resources Board (Consejo de recursos de aire de California) de cumplimiento de la normativa sobre emisiones durante 125 horas. Esta certificación no supone para el comprador, el propietario o el usuario ninguna garantía adicional en lo relativo al rendimiento y a la vida útil del motor. Las garantías del motor atañen exclusivamente al producto y a las emisiones que se declaran en este manual.

## Potencia Nominal

El valor de potencia bruta de cada modelo de motor de gasolina se indica en la etiqueta conforme a los requisitos del código J1940 (Procedimiento de valoración de potencia y par de pequeños motores) de la SAE (Society of Automotive Engineers, Sociedad de ingenieros de automoción). Los valores nominales se han obtenido y corregido conforme al código SAE J1995 (Revisión 2002-05). Los valores de par se obtienen a 3060 rpm, y los valores de potencia, a 3600 rpm. La potencia bruta real del motor será inferior y dependerá, entre otros factores, de las condiciones ambientales de uso y de las variaciones entre distintos motores del mismo modelo. Dada la amplia variedad de productos que utilizan nuestros motores y la multitud de factores ambientales que pueden afectar a su funcionamiento, es posible que el motor de gasolina no desarrolle toda su potencia bruta nominal en determinados equipos (potencia "en la aplicación" o neta real). Esta diferencia se debe, entre otros, a los siguientes factores: accesorios (filtro de aire, escape, carga, refrigeración, carburador, bomba de combustible, etc.), limitaciones de la aplicación, condiciones ambientales de uso (temperatura, humedad, altitud) y variaciones entre distintos motores de un mismo modelo. Briggs & Stratton podrá sustituir el motor de esta serie por otro de mayor potencia nominal en caso de limitaciones de fabricación o capacidad.

## Especificaciones del Producto

### Especificaciones del Generador

Vataje	3600 vatios (3.6 kW)
Vataje que Empieza	5300 Vatios (5.3 kW)
Voltaje Nominal AC	120 Voltios
Corriente a 120 Voltios	30.0 Amperios
Frecuencia Nominal	60Hz a 3600 rpm
Fase	Monofásica
Capacidad de Gasolina	4 galones americanos
Peso que Embarca	127 lbs.

### Especificaciones del Motor

Diámetro de camisa	68 mm (2,69 pulgadas)
Carrera	56 mm (2,20 pulgadas)
Desplazamiento	206 cc (12,57 pulgadas)
Bujía	
Tipo	Briggs & Stratton 491055
Calibrar Separación a:	0.030 pulgadas (0.76mm)
Entrehierro del inducido:	0,25-0,36 mm (0,010-0,014 pulgadas)
Holgura de la válvula con muelles de válvula instalados y pistón de 6 mm (0,25 pulgadas) pasado el punto muerto superior (comprobar con el motor en frío)	
Admisión	0,10-0,15 mm (0,004-0,006 pulgadas)
Escape	0,23-0,28 mm (0,009-0,011 pulgadas)
Capacidad de Aceite	0.6 litros (20 onzas)

**NOTA:** Para que el rendimiento sea óptimo, la carga del generador no debe superar el 85% de la potencia nominal en vatios. La potencia bruta del motor se reducirá un 3,5% por cada 300 m (1.000 pies) de altitud sobre el nivel del mar y un 1% por cada 5,6 °C (10 °F) por encima de 25 °C (77 °F). El funcionamiento será satisfactorio hasta un ángulo de inclinación de 15°.

# MANTENIMIENTO

## Programa de Mantenimiento

Siga los intervalos horarios o de calendario, lo que ocurra primero. Se requiere de servicio con mayor frecuencia cuando opere la unidad en las condiciones adversas descritas a continuación.

CALENDARIO DE MANTENIMIENTO ANOTE LAS FECHAS CONFORME CUMPLA CON EL SERVICIO NORMAL	INTERVALO DE OPERACIÓN POR HORA				FECHAS DE SERVICIO			
	TAREA DE MANTENIMIENTO	Antes de Cada Uso	Cada 25 Horas o al Año	Cada 50 Horas o al Año				Cada 100 Horas o al Año
Verificar el nivel de aceite	X							
Limpie los residuos	X							
Cambiar el aceite del motor			X <sup>1</sup>					
Servicio al filtro de aire		X <sup>2</sup>						
Servicio a la bujía				X				
Servicio al sistema de la bujía				X				
Limpie el sistema de refrigeración				X <sup>2</sup>				
Preparar almacenamiento	Si la unidad permanecerá sin uso por más de 30 días.							

<sup>1</sup> Cambiar el aceite después de las primeras (5) horas y después cada 50 horas.

Hacer el cambio de aceite con mayor frecuencia cuando trabaje en condiciones de mucha suciedad o polvo.

<sup>2</sup> Reemplazar más a menudo bajo condiciones de suciedad o polvo.

## Recomendaciones Generales

El mantenimiento periódico mejorará el rendimiento y prolongará la vida útil del generador. Si necesita asistencia, consulte con un distribuidor de Sears o con otro distribuidor cualificado.

La garantía del generador no cubre los elementos que hayan sido sujetos al abuso o negligencia del operador. Para recibir el valor completo de la garantía, el operador deberá mantener el generador de la forma descrita en este manual.

Se deberán llevar a cabo algunos ajustes periódicamente para mantener correctamente su generador.

Todos los ajustes de la sección Servicio y Ajustes de este manual deberán ser hechos por lo menos una vez en cada estación. Cumpla con los requisitos de la tabla *Programa de Mantenimiento* descrita anteriormente.

**NOTA:** Una vez al año deberá limpiar o reemplazar la bujía y reemplazar el filtro de aire. Una bujía nueva y un filtro de aire limpio garantizan una mezcla de combustible-aire adecuada y ayuda a que su motor funcione mejor y tenga una vida útil más prolongada.

## Control de Emisiones

Cualquier establecimiento o individuo especializado en la reparación de motores que no sean de automoción puede encargarse del mantenimiento, la sustitución y la reparación de los dispositivos y sistemas de control de emisiones.

## Mantenimiento del Generador

El mantenimiento del generador consiste en conservar la unidad limpia y seca. Opere y almacene la unidad en un ambiente limpio y seco donde no será expuesta al polvo, suciedad, humedad o vapores corrosivos. Las ranuras del aire de enfriamiento del generador no deben estar tapadas con nieve, hojas, o cualquier otro material extraños.

Revise frecuentemente la limpieza del generador y límpielo cuando esté con polvo, sucio, con aceite, humedad, o cuando otras sustancias extrañas sean visibles en su superficie exterior.

**NOTA:** NO recomendamos el uso de mangueras de jardín para limpiar el generador. El agua podría introducirse en el sistema de combustible del motor y causar problemas. Además, si el agua se introduce al generador a través de las ranuras para aire de enfriamiento, algo del agua quedará retenida en los espacios vacíos y grietas del aislamiento del devanado del estator y rotor. La acumulación de agua y suciedad en los devanados internos del generador disminuirá eventualmente la resistencia del aislamiento de estos devanados.

## Limpieza del Generador

Limpie a diario, o antes de cada uso, los residuos acumulados en el generador. Mantenga limpias las conexiones, los muelles y los mandos. Limpie todo resto de combustible de la zona que rodea al silenciador y de detrás del mismo. Inspeccione las ranuras para aire de enfriamiento y la apertura del generador. Estas aperturas deberán mantenerse limpias y despejadas.

Mantenga limpios los componentes del generador para reducir el riesgo de sobrecalentamiento e ignición de los residuos acumulados.

- Utilice un trapo húmedo para limpiar las superficies exteriores.

### AVISO

El tratamiento inadecuado del generador puede dañarlo y acortar su vida productiva.

- NO exponga al generador a una humedad excesiva, polvo, suciedad o vapores corrosivos.
- NO inserte cualquier objeto a través de las ranuras de enfriamiento.

- Puede usar un cepillo de cerdas suaves para retirar la suciedad endurecida, aceite, etc.
- Puede usar una máquina aspiradora para eliminar suciedad y residuos sueltos.

### StatStation™

El StatStation™ muestra la carga nominal del generador en función de la frecuencia de salida. También incluye una función de aviso de mantenimiento integrada.

### Monitor de potencia

La pantalla consta de dos LED de siete segmentos que indican de forma fácil de leer la cantidad de energía que suministra el generador. El monitor de carga muestra la salida del generador en forma de porcentaje.

Cuando aumenta la energía del generador, aumentan los valores de la pantalla. Cuando los valores que muestra la pantalla empiezan a parpadear, el usuario debe dejar de añadir cargas eléctricas al generador.

Si el consumo de energía es excesivo, las letras "OL" (Over Load = Sobrecarga) parpadearán en la pantalla. En este caso, el usuario debe reducir la carga conectada al generador.

### Función de aviso de mantenimiento

El visor de LED mostrará una serie de códigos para avisarle cuando sea necesario comprobar o cambiar el aceite, comprobar o cambiar el filtro de aire y comprobar o cambiar la bujía. Los códigos son los siguientes:

- "C1" Comprobar el aceite cada 8 horas
- "C2" Cambiar el aceite cada 50 horas
- "C3" Comprobar o cambiar el filtro de aire cada 25 horas
- "C4" Comprobar o cambiar la bujía cada 100 horas

Para aprovechar las ventajas de la función de "aviso de mantenimiento" de StatStation, el usuario debe pulsar el botón de rearme (reset) una vez que haya completado las tareas de mantenimiento solicitadas según el código que se muestra (C1, C2, C3, o C4). Esto hará que se muestre "Co" o "CA", en función del tiempo que se haya mantenido pulsado el botón:

- 1) "Co" – Si se pulsa el botón de rearme (reset) rápidamente una vez, se mostrará "Co" (borrado a cero). Esto borrará los códigos de mantenimiento que hayan cumplido su tiempo hasta ese punto y se volverá a contar el tiempo nuevamente desde cero.
- 2) "CA" – Si se pulsa el botón de rearme (reset) y se lo mantiene pulsado durante 2 segundos, se mostrará "CA" (borrado total). Esto borra todos los códigos de mantenimiento, incluso si no han alcanzado aún su punto de servicio y se volverá a contar el tiempo nuevamente desde cero.

Si aparece simultáneamente la carga nominal y un código de mantenimiento, la pantalla LED mostrará alternativamente la carga nominal y el código como se indica a continuación:

El código aparecerá durante 3 segundos y desaparecerá durante medio segundo. La carga aparecerá durante 6 segundos y desaparecerá durante medio segundo.

## Mantenimiento del Motor

⚠ ADVERTENCIA

Chispear involuntario puede tener como resultado el fuego o el golpe eléctrico.

**CUANDO AJUSTE O HAGA REPARACIONES A SU MÁQUINA GENERADOR**

- Siempre desconecte el alambre de la bujía y colóquelo donde no pueda entrar en contacto con la bujía.

**CUANDO PRUEBE LA BUJÍA DEL MOTOR**

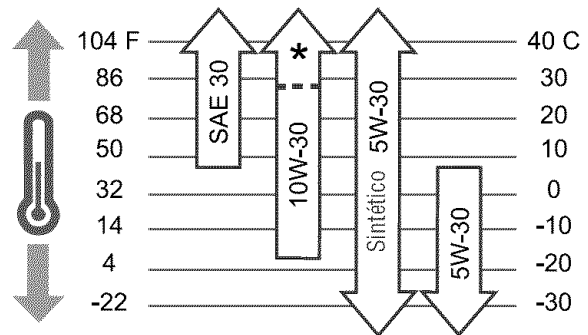
- Utilice un comprobador de bujías homologado.
- NO compruebe la chispa sin la bujía instalada.

### Aceite

#### Recomendaciones sobre el aceite

**NOTA:** Cuando añada aceite al cárter del motor, utilice sólo aceite detergente de alta calidad con clasificación de servicio SF, SG, SH, SJ o superior. NO utilice aditivos especiales.

1. Elija una viscosidad conforme a la siguiente tabla:



**NOTA:** Todo aceite sintético que cumpla las especificaciones ILSAC GF-2, con marca de certificación API y con símbolo de servicio API con "SJ/CF ENERGY CONSERVING" o superior es un aceite aceptable a todas las temperaturas. El uso de aceite sintético no altera los intervalos de cambio de aceite indicados.

**SAE 30:** 5 °C (40 °F) y superior es adecuado para todo tipo de usos por encima de 5 °C (40 °F). El uso por debajo de 5 °C (40 °F) provocará dificultades de arranque.

**10W-30:** -18 a 38 °C (0 a 100 °F) es mejor en caso de temperatura variable. Este grado de aceite mejora el arranque en climas fríos, pero puede aumentar el consumo de aceite a 27 °C (80 °F) o temperaturas superiores.

\* Compruebe el nivel de aceite con frecuencia a temperaturas superiores.

**Sintético 5W-30:** -30 a 40 °C (-20 a 120 °F) proporciona la mejor protección a todas las temperaturas al tiempo que mejora el arranque y reduce el consumo de aceite.

**5W-30:** 5 °C (40 °F) e inferior es el aceite recomendado para el invierno y funciona mejor en condiciones de frío.

### Comprobación del Nivel de Aceite

Compruebe el nivel de aceite antes de cada uso o cada 5 horas de funcionamiento, como mínimo. Rellene si es necesario.

1. Coloque el generador sobre una superficie nivelada.
2. Quite el tapón de llenado de aceite y límpielo con un trapo.
3. Compruebe que el aceite llega hasta el punto de desbordamiento en el orificio de llenado.
4. Instale el tapón de llenado de aceite, apriete firmemente.

### Adición de Aceite del Motor

1. Asegúrese de que la generador esté en una superficie plana.
2. Compruebe el nivel de aceite tal como se indica en la sección *Comprobación del nivel de aceite*.
3. Si es necesario, vierta lentamente aceite por el orificio de llenado hasta el punto de desbordamiento en el tapón de llenado de aceite.
4. Instale el tapón de llenado de aceite, apriete firmemente.

### Cambio de Aceite del Motor

Cambie el aceite después de las primeras 5 horas de operación. Cambie el aceite cada 50 horas de ese momento en adelante. Si está utilizando su generador bajo condiciones de extrema suciedad o polvo, o en un clima demasiado caliente, haga el cambio de aceite más frecuentemente.

#### AVISO

Evite el contacto prolongado o repetido de piel con aceite usado de motor.

- El aceite usado del motor ha sido mostrado al cancer de la piel de la causa en ciertos animales del laboratorio.
- Completamente lavado expuso áreas con el jabón y el agua.

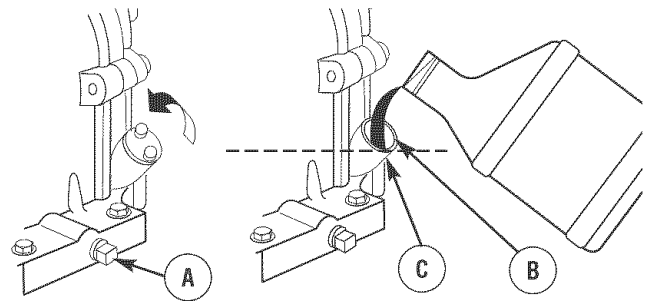


MANTENER FUERA DEL ALCANCE DE LOS NIÑOS.  
NO CONTAMINE. CONSERVE LOS RECURSOS.  
DEPOSITE EL ACEITE USADO EN UN PUNTO DE  
RECOGIDA.

Cambie el aceite cuando el motor siga estando caliente después de haber funcionado:

1. Asegúrese de que la unidad esté en una superficie plana.
2. Desconecte el cable de la bujía de esta y colóquelo donde no pueda entrar en contacto con la bujía.
3. Limpie la zona de alrededor del tapón de vaciado de aceite (A), situado en la base del motor, al otro lado del carburador.
4. Quite el tapón de llenado de aceite y vacíe todo el aceite en un recipiente adecuado.
5. Vuelva a colocar el tapón de vaciado y apriételo bien. Quite el tapón de llenado de aceite.

6. Vierta lentamente unos 0,6 litros (20 onzas) de aceite por el orificio de llenado (B) hasta el punto de desbordamiento (C). NO añada aceite en exceso.



7. Vuelva a colocar el tapón de llenado de aceite Apriételo firmemente a mano.
8. Limpie los residuos de aceite.

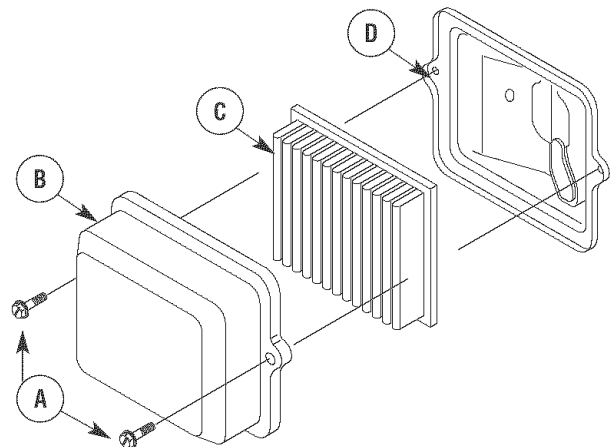
### Servicio del Depurador de Aire

Su motor no funcionará adecuadamente y puede dañarse si usted lo hace funcionar con un depurador de aire sucio.

Suministre servicio al depurador de aire una vez cada 25 horas de operación o una vez por año, lo que suceda primero. Suministre servicio más frecuentemente si la unidad funciona bajo condiciones de mucha suciedad o polvo. Los repuestos se encuentran disponibles en su centro de servicio local Sears.

Para dar servicio al filtro de aire, siga los pasos que se detallan a continuación:

1. Afloje los tornillos (A) y quite la cubierta más limpia (B).



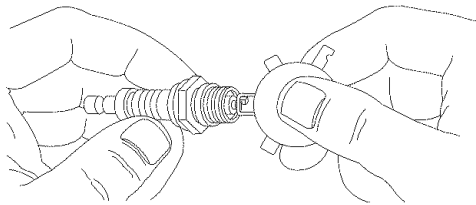
2. Con cuidado quite cartucho (C) de base (D).
3. Instale limpie (o nuevo) aire la asamblea más limpia dentro de la cubierta. Deshágase del filtro viejo apropiadamente.
4. Arme la cubierta más limpia aérea en la base y apriete los tornillos.

**NOTA:** Usted puede comprar los elementos del filtro de aire nuevos llamando al **1-800-4-MY-HOME (469-4663)**.

## Limpie/Reemplace la Bujía

Cambie la bujía cada 100 horas de funcionamiento o una vez al año, lo que suceda antes. Esto ayudará a su motor a arrancar más fácilmente y funcionar mejor.

1. Limpie la zona de alrededor de la bujía.
2. Retire e inspeccione la bujía.
3. Revise la separación del electrodo con un calibre de alambre y ajuste la separación a 0.030 pulgadas (0.76mm) si es necesario.



4. Cambie la bujía si los electrodos están picados o quemados o si la porcelana está agrietada. Utilice la bujía de repuesto recomendada. Consulte *Especificaciones*.
5. Instale la bujía y apriete firmemente.

**NOTA:** Puede adquirir nuevas bujías al número telefónico **1-800-4-MY-HOME (469-4663)**.

## Limpie la Pantalla Apagachispas

El silenciador del escape del motor posee una pantalla apagachispas. Inspeccione y limpie la pantalla cada 100 horas de operación o una vez al año, lo que suceda primero.

**NOTA:** Usted puede comprar los apagachispas a través de nuevos llamando al **1-800-4-MY-HOME (469-4663)**.

El generador tendrá que tener un apagachispas si lo usa en terrenos no tratados cubiertos de monte, maleza o pasto. El apagachispas deberá ser mantenido en buenas condiciones por parte del propietario/operador.

### ⚠ ADVERTENCIA



El contacto con la zona del silenciador puede producir quemaduras graves.



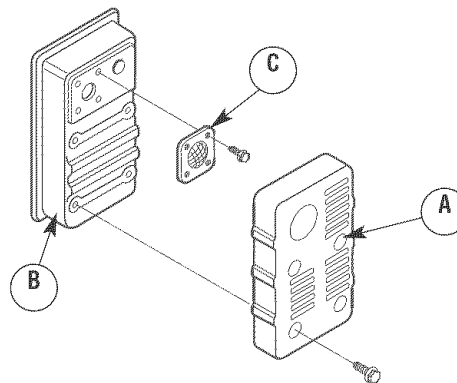
Los gases y el calor de escape pueden inflamar los materiales combustibles y las estructuras o dañar el depósito de combustible y provocar un incendio.

- NO toque las superficies calientes y evite los gases del escape a alta temperatura.
- Permita que el equipo se enfríe antes de tocarlo.
- Deje un espacio mínimo de 1.5 m (5 pies) alrededor del generador, incluida la parte superior.
- El Código de Normativa Federal (CFR, Título 36: Parques, Bosques y Propiedad Pública) obliga a instalar una pantalla apagachispas en los equipos con motor de combustión interno y a mantenerla en buenas condiciones de funcionamiento, conforme a la norma 5100-1C (o posterior) del Servicio Forestal de la USDA. En el Estado de California, la ley exige el uso de una pantalla apagachispas (Sección 4442 del Código de Recursos Públicos de California). En otros estados puede haber leyes similares en vigor.

**Limpie e inspeccione el apagachispas de la siguiente manera:**

1. Para retirar la protección del silenciador (A) de silenciador (B), retire los cuatro tornillos que conectan la protección a la ménsula del silenciador.

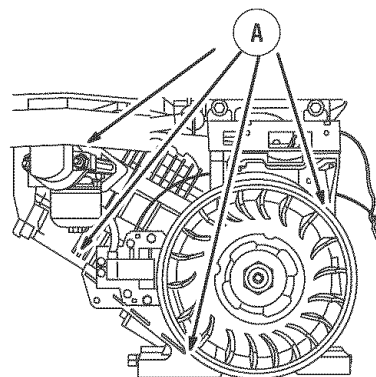
2. Retire los cuatro tornillos que sostienen la pantalla apagachispas (C).



3. Inspeccione la pantalla y reemplácela si está rota, perforada o dañada. NO use pantallas defectuosas. Si la pantalla no está dañada, límpiela con un disolvente comercial.
4. Vuelva a instalar la pantalla y la protección del silenciador.

## Sistema de Refrigeración de Aire

Con el tiempo, se pueden acumular residuos en las aletas de refrigeración del cilindro y pasar inadvertidos mientras no se desmonte parcialmente el motor. Recomendamos que encargue la limpieza del sistema de refrigeración (A) a un distribuidor de servicio Sears siguiendo los intervalos recomendados (consulte la sección *Plan de mantenimiento*). Es igualmente importante que no se acumulen residuos en el motor. Consulte la sección *Limpieza del generador*.



## Ajuste del Carburador

El carburador de este motor es de baja emisión. Está equipado con una válvula de mezcla de ralentí no ajustable y, en algunos casos, con ralentí regulado. Los niveles de ralentí regulado y velocidad máxima se ajustan en la fábrica. Si es necesario modificarlos, acuda a un distribuidor de servicio Sears.

### ⚠ PRECAUCIÓN

Las velocidades de operación en exceso, aumentan los riesgos de heridas y daños al generador.

Las velocidades bajas en exceso, imponen una carga muy pesada.

- NO cambie ninguna velocidad determinada. El generador suministra una frecuencia y un voltaje calificado cuando funciona a una velocidad determinada.
- NO modifique al generador en ninguna forma.

# ALMACENAMIENTO

## Generalidades

El generador deberá ser encendido al menos una vez cada siete días y deberá dejarlo funcionar al menos durante 30 minutos. Si no puede hacer esto y debe almacenar la unidad por más de 30 días, use la siguiente información como guía para preparar su unidad para almacenamiento.

## Instrucciones de Almacenamiento para Períodos Prolongados

Es importante evitar que se formen depósitos de goma en las partes esenciales del sistema de combustible, como el carburador, filtro de combustible, manguera o tanque de combustible, durante el almacenamiento. También, la experiencia indica que los combustibles con mezclas de alcohol (llamados gasohol, etanol o metanol) pueden atraer humedad, la cual lleva a la separación y formación de ácidos durante el almacenamiento. El gas ácido puede dañar el sistema de combustible de un motor durante su almacenamiento.

 <b>ADVERTENCIA</b>	
	La combustible y sus vapores son extremadamente inflamables y explosivos.
	El fuego o una explosión pueden causar quemaduras severas e inclusive la muerte.
<b>CUANDO ALMACENE O GUARDE EL EQUIPO CON COMBUSTIBLE EN EL TANQUE</b>	
<ul style="list-style-type: none"><li>Almacene alejado de calderas, estufas, calentadores de agua, secadoras de ropa u otros aparatos electrodomésticos que posean pilotos u otras fuentes de ignición, porque ellos pueden encender los vapores de la combustible.</li></ul>	
<b>CUANDO VACÍE EL DEPÓSITO</b>	
<ul style="list-style-type: none"><li>Apague el generador (posición OFF) y déjelo enfriar al menos por 2 minutos antes de remover la tapa de la combustible. Afloje la tapa lentamente para dejar que la presión salga del tanque.</li><li>Vacíe el depósito de combustible a la intemperie.</li><li>Mantenga la combustible alejada de chispas, llamas abiertas, pilotos, calor y otras fuentes de ignición.</li><li>NO encienda un cigarrillo o fume.</li></ul>	

## Protección del Sistema de Combustible

### Aditivo para Combustible:

Llene el depósito con combustible nuevo y deje aproximadamente 4 cm (1,5") de espacio para permitir la expansión del combustible, como se muestra en la página 42, cuándo utiliza un cartucho de aditivo para el combustible con el tapón Fresh Start™. Si sólo se llena parcialmente, el aire contenido en el depósito favorecerá el deterioro del combustible durante el almacenamiento. El motor y el combustible se pueden almacenar hasta 6 meses con aditivo.

- Compruebe el nivel del cartucho de aditivo para el combustible. El aditivo es de color oscuro.
- Si el cartucho está vacío o casi vacío, cámbielo por otro nuevo conforme a las instrucciones de la sección *Tapón de combustible Fresh Start™*.




Si no usa aditivo para combustible, retire todo el combustible del tanque y haga funcionar el motor hasta que se detenga por falta de combustible.

### Cambio de Aceite

Con el motor todavía caliente, drene el aceite de la caja del cigüeñal. Vuelva a llenarla con el grado de aceite recomendado.

### Aceite el Diámetro Interior del Cilindro

- Quite la bujía y vierta aproximadamente 30 ml (1 onza) de aceite de motor limpio en el interior del cilindro.
- Coloque la bujía y arranque lentamente para distribuir el aceite.



 <b>ADVERTENCIA</b>	
	Chispear involuntario puede tener como resultado el fuego o el golpe eléctrico.
	
<ul style="list-style-type: none"><li>NUNCA arranque el motor sin la bujías instalada.</li></ul>	

### Generador

- Limpie el generador como está descrito en *Limpieza del Generador*.
- Revise que las ranuras para el aire de enfriamiento y las aperturas del generador se encuentren abiertas y despejadas.

## Otras Sugerencias para el Almacenamiento

- No guarde combustible de una temporada a otra a menos que lo haya tratado como se indica en la sección *Protección del Sistema de Combustible*.
- Reemplace la caneca de gasolina si comienza a oxidarse. El óxido y/o la suciedad en la gasolina le causará problemas.
- Si es posible, almacene su unidad en un recinto encerrado y cúbrala para protegerla del polvo y la suciedad.
- Cubra su unidad con una cubierta de protección adecuada que no retenga humedad.

 <b>ADVERTENCIA</b>	
	Las cubiertas para almacenamiento pueden ser inflamables.
<ul style="list-style-type: none"><li>NO coloque una cubierta encima de un generador caliente.</li><li>Deje que la unidad se enfríe lo suficientemente antes de que le coloque la cubierta.</li></ul>	

- Almacene la unidad en un área limpia y seca.

## DIAGNÓSTICO Y REPARACIÓN DE AVERÍAS

Problema	Causa	Solución
<b>El motor está funcionando pero no existe salida de AC disponible.</b>	<ol style="list-style-type: none"> <li>1. Uno de los cotacircuitos está abierto.</li> <li>2. Falla en el generador.</li> <li>3. Mala conexión o juego de cordones defectuoso.</li> <li>4. El dispositivo conectado está en mal estado.</li> </ol>	<ol style="list-style-type: none"> <li>1. Reajuste el cortacircuito.</li> <li>2. Póngase en contacto con la Planta de Servicio de Sears.</li> <li>3. Revise y repare.</li> <li>4. Conecte otro dispositivo que esté en buenas condiciones.</li> </ol>
<b>El motor funciona bien sin cargas pero "funciona mal" cuando las cargas son conectadas.</b>	<ol style="list-style-type: none"> <li>1. Corto circuito en la carga conectada.</li> <li>2. La velocidad del motor es muy lenta.</li> <li>3. El generador está sobrecargado.</li> <li>4. Circuito del generador en corto.</li> </ol>	<ol style="list-style-type: none"> <li>1. Desconecte la carga eléctrica en corto.</li> <li>2. Póngase en contacto con la Planta de Servicio de Sears.</li> <li>3. <i>Vea No Sobrecargue Generador.</i></li> <li>4. Póngase en contacto con la Planta de Servicio de Sears.</li> </ol>
<b>El motor no arranca; o arranca y funciona mal.</b>	<ol style="list-style-type: none"> <li>1. Interruptor balancin en "Off".</li> <li>2. Válvula del combustible a la posición "Off".</li> <li>3. Depurador de aire sucio.</li> <li>4. Sin combustible.</li> <li>5. Combustible vieja.</li> <li>6. El alambre de la bujía no está conectado.</li> <li>7. Bujía en mal estado.</li> <li>8. Agua en la combustible.</li> <li>9. Exceso de cebado.</li> <li>10. Mezcla de combustible excesivamente rica.</li> <li>11. Válvula de toma atascada en la posición abierta o cerrada.</li> <li>12. El motor ha perdido compresión.</li> </ol>	<ol style="list-style-type: none"> <li>1. Coloque el interruptor en "On" (En).</li> <li>2. Gire la válvula del combustible a la posición "On".</li> <li>3. Limpie o reemplace el depurador de aire.</li> <li>4. Llene el tanque de combustible.</li> <li>5. Drene el tanque de combustible; llénelo con combustible fresco.</li> <li>6. Conecte el alambre a la bujía.</li> <li>7. Reemplace la bujía.</li> <li>8. Drene el tanque de combustible; llénelo con combustible fresco.</li> <li>9. Espere 5 minutos y haga girar el motor.</li> <li>10. Póngase en contacto con la Planta de Servicio de Sears.</li> <li>11. Póngase en contacto con la Planta de Servicio de Sears.</li> <li>12. Póngase en contacto con la Planta de Servicio de Sears.</li> </ol>
<b>El motor se apaga en pleno funcionamiento.</b>	Sin combustible.	Llene el tanque del combustible.
<b>Al motor le hace falta potencia.</b>	<ol style="list-style-type: none"> <li>1. La carga es muy alta.</li> <li>2. Filtro de aire sucio.</li> </ol>	<ol style="list-style-type: none"> <li>1. <i>Vea No Sobrecargue Generador.</i></li> <li>2. Reemplace el filtro de aire.</li> </ol>
<b>El motor "no funciona continuamente" o se detiene.</b>	Carburador con mezcla de aire-combustible muy rica o muy pobre.	Póngase en contacto con la Planta de Servicio de Sears.

# NOTAS

# NOTAS

# NOTAS

# GARANTÍA DEL SISTEMA DE CONTROL DE EMISIONES

Sears, Roebuck and Co., U.S.A. (Sears), California Air Resources Board (Consejo de Recursos sobre el Aire de California, CARB, por sus siglas en inglés) y United States Environmental Protection Agency (Agencia de Protección Ambiental de EE.UU., EPA, por sus siglas en inglés).

## Declaración de garantía del sistema de control de emisiones (derechos y obligaciones del propietario para la garantía contra defectos)

California Air Resources Board (CARB), U.S. EPA y Sears le explican a continuación la garantía del sistema de control de emisiones de su pequeño motor para máquinas de servicio (SORE, Small Offroad Engine). En California, los modelos de pequeños motores para máquinas de servicio a partir del año 2006 deben estar diseñados, fabricados y equipados conforme a los exigentes estándares de lucha contra la contaminación del Estado.

En otras regiones de Estados Unidos, los nuevos motores para interiores de ignición por chispa certificados para modelos año 1997 y posteriores deben cumplir con normas similares establecidas por la EPA de EE.UU. Sears debe garantizar el sistema de control de emisiones de su motor para los períodos indicados a continuación, siempre y cuando no se haya abusado, descuidado o dado mantenimiento incorrecto al motor pequeño para exteriores.

Su sistema de control de emisiones incluye piezas como el carburador, el filtro de aire, el sistema de arranque, el tubo de combustible, el silenciador y el convertidor catalítico. También puede incluir conectores y otros conjuntos relacionados con las emisiones.

Cuando exista una condición que pueda ser cubierta por la garantía, Sears reparará el motor pequeño para exteriores sin costo alguno, incluyendo el diagnóstico, las partes de repuesto y la mano de obra.

### Cobertura de la garantía de Sears, Roebuck and Co. contra defectos en el control de emisiones

Los pequeños motores para máquinas de servicio están garantizados contra defectos de las piezas de control de emisiones durante un período de dos años, conforme a las siguientes disposiciones. Si cualquier pieza del motor con cobertura es defectuosa, será reparada o sustituida por Sears.

### Responsabilidades del propietario para la garantía

Como propietario del motor pequeño para exteriores, usted es responsable de realizar las actividades de mantenimiento requeridas que se indican en Instrucciones de uso y mantenimiento. Sears recomienda que conserve todos los recibos que cubran el mantenimiento de su motor pequeño para exteriores, pero Sears no puede negar la garantía solamente por la falta de recibos ni por su imposibilidad de garantizar la realización de todas las actividades de mantenimiento programadas.

Como propietario del motor pequeño para exteriores, usted siempre debe tener en cuenta que Sears podrá negar la cobertura de la garantía si su motor pequeño para exteriores o una parte del mismo presenta fallas debido a abuso, descuido, mantenimiento incorrecto o modificaciones no aprobadas.

Usted es responsable de presentar su motor pequeño para exteriores a un distribuidor autorizado de servicio de Sears aprobado tan pronto como se presente el problema.

Las reparaciones cubiertas por la garantía se llevarán a cabo en un plazo razonable, no superior a 30 días en ningún caso.

Si tiene alguna pregunta con respecto a sus derechos y responsabilidades para la garantía, póngase en contacto con un representante de servicio Sears al 1-800-469-4663.

La garantía de emisiones es una garantía contra defectos. Los defectos se juzgan en función del rendimiento normal del motor. La garantía no dependerá de ninguna prueba de emisiones en funcionamiento.

### Disposiciones de la garantía de Sears, Roebuck and Co. contra defectos en el control de emisiones

Las siguientes son disposiciones específicas relacionadas con la cobertura de la garantía contra defectos en el control de emisiones. Se añade a la garantía de motores de Sears para motores no regulados, que figura en las Instrucciones de uso y mantenimiento.

#### 1. Partes garantizadas

La cobertura bajo esta garantía incluye solamente aquellas partes que se enumeran a continuación (las partes del sistema de control de emisiones) en la medida que dichas partes hayan estado presentes en el motor adquirido.

- a. Sistema de medición de combustible
- Sistema de enriquecimiento para arranque en frío

- Carburador y partes internas
- Bomba de combustible
- Tubo de combustible, acoplamiento del tubo de combustible, abrazaderas
- Depósito de combustible, tapón y cadena
- Bote de carbono
- b. Sistema de inducción de aire
- Filtro de aire
- Colector de entrada
- Línea de purga y ventilación
- c. Sistema de ignición
- Bujías
- Sistema de ignición por magneto
- d. Sistema catalizador
- Convertidor catalítico
- Colector de escape
- Sistema de inyección de aire o válvula por impulsos
- e. Distintos elementos utilizados en los sistemas anteriores
- Válvulas e interruptores de vacío, temperatura, posición y de detección de tiempo
- Conectores y conjuntos

#### 2. Vigencia de la cobertura

Sears garantiza al propietario inicial y a cada comprador subsiguiente que las partes garantizadas estarán libres de defectos en material y en mano de obra, que ocasionen fallas de las partes garantizadas durante un período de dos años a partir de la fecha en que el motor sea entregado al comprador minorista.

#### 3. No habrá cargos

La reparación o reemplazo de cualquier parte garantizada se realizará sin cargo alguno para el propietario, incluyendo la mano de obra de diagnóstico que derive en la determinación de que una parte garantizada está defectuosa, si la labor de diagnóstico se realiza en un Centro de servicio Sears aprobado.

#### 4. Reclamos y exclusiones de cobertura

Los reclamos vinculados con la garantía se presentarán conforme a las disposiciones de la Póliza de garantía de Sears. La cobertura de la garantía se excluirá para aquellas fallas de partes garantizadas que no sean partes originales de Sears o debido a abuso, descuido o mantenimiento incorrecto, según se establece en la Póliza de garantía de motores de Sears. Sears no es responsable por la cobertura de fallas de partes garantizadas ocasionadas por el uso de partes adicionales, no originales o modificadas.

#### 5. Mantenimiento

Cualquier parte garantizada cuyo reemplazo no esté programado como mantenimiento requerido o que esté programada únicamente para inspección frecuente con el fin de "reparar o reemplazar conforme sea necesario", estará garantizada en cuanto a defectos por el período de la garantía. Cualquier parte garantizada cuyo reemplazo esté programado como mantenimiento requerido tendrá solamente una garantía contra defectos únicamente por el período hasta el primer reemplazo programado para esa parte. Se podrá utilizar cualquier parte de repuesto que tenga un rendimiento y durabilidad equivalentes, al realizar cualquier actividad de mantenimiento o reparación. El propietario es responsable de realizar todo el mantenimiento requerido, según se define en Instrucciones de uso y mantenimiento de Sears.

#### 6. Cobertura consiguiente

La cobertura bajo la presente se ampliará a la falla de cualquier componente del motor provocada por un desperfecto en cualquier parte garantizada que siga gozando de la cobertura de la garantía.

En EE.UU. y Canadá contamos con una línea de emergencia las 24 horas (1-800-469-4663), que ofrece un menú de mensajes pregrabados con información sobre mantenimiento de productos.

## Información sobre emisiones

Los motores con certificación de cumplimiento de la normativa sobre emisiones de nivel 2 del California Air Resources Board (CARB) deben mostrar información sobre el período de durabilidad de las emisiones y el índice de aire. El fabricante del motor ofrece esta información al consumidor mediante etiquetas de emisiones. La etiqueta de emisiones del motor contiene la información de certificación.

El **Período de Durabilidad de las Emisiones** indica el número de horas durante las cuales el motor puede funcionar cumpliendo las normas sobre emisiones, siempre que se realicen las operaciones de mantenimiento que se detallan en las instrucciones de uso y mantenimiento. Se utilizan las siguientes categorías:

**Moderado:** El motor está certificado para cumplir la normativa sobre emisiones durante 125 horas de funcionamiento real.

**Intermedio:** El motor está certificado para cumplir la normativa sobre emisiones durante 250 horas de funcionamiento real.

**Prolongado:** El motor está certificado para cumplir la normativa sobre emisiones durante 500 horas de funcionamiento real.

Por ejemplo, un cortacésped con operario a pie se suele utilizar entre 20 y 25 horas al año. Por tanto, el **Período de Durabilidad de las Emisiones** de un motor con clasificación **intermedia** equivaldría a 10-12 años.

Algunos motores cuentan con la certificación de cumplimiento de la fase 2 de las normas sobre emisiones de la United States Environmental Protection Agency (USEPA, Agencia estadounidense de protección del medioambiente). En el caso de los motores con certificación de fase 2, el período de cumplimiento de la normativa sobre emisiones que figura en la etiqueta de cumplimiento de emisiones indica el número de horas de funcionamiento durante las cuales el motor ha demostrado cumplir los requisitos federales sobre emisiones.

Para motores de menos de 225 cc:

Categoría C = 125 horas

Categoría B = 250 horas

Categoría A = 500 horas.

Para motores de 225 cc o más:

Categoría C = 250 horas

Categoría B = 500 horas

Categoría A = 1000 horas.

# Get it fixed, at your home or ours!

## Your Home

For repair—in your home—of **all** major brand appliances, lawn and garden equipment, or heating and cooling systems, **no matter who made it, no matter who sold it!**

For the replacement parts, accessories and owner's manuals that you need to do-it-yourself.

For Sears professional installation of home appliances and items like garage door openers and water heaters.

**1-800-4-MY-HOME®**

(1-800-469-4663)

[www.sears.com](http://www.sears.com)

Anytime, day or night

(U.S.A. and Canada)

[www.sears.ca](http://www.sears.ca)

## Our Home

For repair of carry-in items like vacuums, lawn equipment, and electronics, call or go on-line for the nearest

**Sears Parts & Repair Center.**

**1-800-488-1222** Anytime, day or night (U.S.A. only)

[www.sears.com](http://www.sears.com)

To purchase a protection agreement (U.S.A.) or maintenance agreement (Canada) on a product serviced by Sears:

**1-800-827-6655** (U.S.A.)

**1-800-361-6665** (Canada)

Para pedir servicio de reparación a domicilio, y para ordenar piezas:

**1-888-SU-HOGAR<sup>SM</sup>**

(1-888-784-6427)

Au Canada pour service en français:

**1-800-LE-FOYER<sup>MC</sup>**

(1-800-533-6937)

[www.sears.ca](http://www.sears.ca)



© Sears Brands, LLC

® Registered Trademark / <sup>TM</sup> Trademark / <sup>SM</sup> Service Mark of Sears Brands, LLC

© Marca Registrada / <sup>TM</sup> Marca de Fábrica / <sup>SM</sup> Marca de Servicio de Sears Brands, LLC

<sup>MC</sup> Marque de commerce / <sup>MD</sup> Marque déposée de Sears Brands, LLC