

Danby® *Designer*

**UPRIGHT FREEZER
CONGÉLATEUR VERTICAL
CONGELADOR VERTICAL**

**OWNER'S USE AND CARE GUIDE
GUIDE D'UTILISATION ET D'ENTRETIEN
GUÍA DEL PROPIETARIO DE UTILIZACION Y CUIDADO**

**MODEL • MODÈLE • MODELO
DUF138E1WDD**



CONTENTS

TABLE DES MATIÈRES

ÍNDICE

UPRIGHT FREEZER

Owner's Use and Care Guide.....1-10

- Welcome
- Safety Instructions
- Installation
- Operation
- Care and Maintenance
- Troubleshooting
- Warranty



CAUTION:

Read and follow all safety rules and operating instructions before first use of this product.

CONGÉLATEUR VERTICAL

Guide d'utilisation et soin de propriétaire.....11-20

- Bienvenue
- Consignes de sécurité importantes
- Instructions d'installation
- Consignes d'utilisation
- Soins et entretien
- Dépannage
- Garantie



PRÉCAUTION :

Veillez lire attentivement les consignes de sécurité et les instructions d'utilisation avant l'utilisation initiale de ce produit.

CONGELADOR VERTICAL

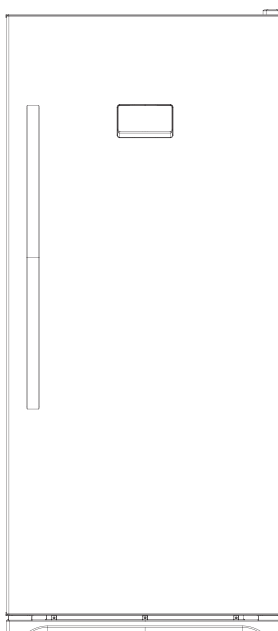
Guía de utilización y cuidado para el propietario.....21-30

- Bienvenido
- Instrucciones de seguridad importantes
- Instrucciones de instalación
- Instrucciones operadoras
- Limpieza y mantenimiento
- Solución sugerida
- Garantía



PRECAUCIÓN:

Lea y observe todas las reglas de seguridad y las instrucciones de operación antes de usar este producto por primera vez.



Model • Modèle • Modelo
DUF138E1WDD

Welcome

Welcome to the Danby family. We are proud of our quality products, and we believe in dependable service, like you will find in this Owner's Use and Care Guide, and like you will receive from our friendly customer service department. Best of all, you will experience these values each and every time you use your Danby appliance. That is important, because your new appliance will be a part of your family for a long time.

**Note the information below; you will need this information to obtain service under warranty.
To receive service, you must provide the original receipt.**

Model Number:	_____
Serial Number:	_____
Date of Purchase:	_____

NEED HELP?

Before you call for service, here are a few things you can do to help us serve you better:

Read this Owner's Use and Care Guide:

It contains instructions to help you use and maintain your appliance properly.

If you received a damaged appliance:

Immediately contact the retailer (or builder) that sold you the appliance.

Save time and money:

Check the Troubleshooting section at the end of the guide before calling. This section helps you solve common problems that may occur.

If you do need service, you can relax, knowing help is only a phone call away.





Important Safety Information

READ AND FOLLOW ALL SAFETY INSTRUCTIONS

This appliance must be grounded. In the event of an electrical short circuit, grounding reduces the risk of electrical shock by providing an escape wire for the electrical current.

ELECTRICAL REQUIREMENTS

WARNING

ELECTRICAL RATING: The serial rating plate indicates the voltage and frequency the freezer is designed for.

Due to possible variations in line voltage (caused by overloading of circuits), it is advisable to install a separate fuse circuit from the meter panel. This will help to eliminate current fluctuation which might cause motor trouble.

IMPORTANT WARNING

An empty freezer is a very dangerous attraction to children. Remove either the gasket or lid from unused appliances, or take some other action that will guarantee it harmless.

DANGER: Risk of child entrapment. Before you throw away your old freezer:

- Take off doors.
- Leave the shelves in place so that children may not easily climb in.

DON'T WAIT! DO IT NOW!

WARNING! EXPLOSION HAZARD!

Risk of fire or explosion due to puncturing of refrigerant tubing. Do not use sharp objects to aid in defrost. Please handle with care. Keep flammable materials and vapors such as gasoline away from the freezer. Use nonflammable cleaner.

Disposal of this unit should be in accordance with federal and local regulations.

Please ensure that component parts shall be replaced with like components and that servicing shall be done by factory authorized service personnel, so as to minimize the risk of possible ignition due to incorrect parts or improper service.

GROUNDING INSTRUCTIONS

This appliance is equipped with a cord having a grounding wire with a grounding plug. The plug must be plugged into an outlet that is properly installed and grounded.

WARNING - Improper use of the grounding plug can result in a risk of electric shock. Consult a qualified electrician or service agent if the grounding instructions are not completely understood, or if doubt exists as to whether the appliance is properly grounded.

DO NOT USE AN EXTENSION CORD

Use an exclusive 115V wall outlet. Do not connect your freezer to extension cords or together with another appliance in the same wall outlet. Do not splice the cord.

SAVE THESE INSTRUCTIONS!



Important Safety Information

READ AND FOLLOW ALL SAFETY INSTRUCTIONS

- This appliance is not intended for use by persons (including children) whose physical, sensory or mental capabilities may be different or reduced, or who lack experience or knowledge, unless such persons receive supervision or training to operate the appliance by a person responsible for their safety.
- Children should be supervised to ensure that they do not play with the appliance.
- Do not use extension cords or ungrounded (two prongs) adapters.
- If the supply cord is damaged, it must be replaced by the manufacturer, its service agent or similar qualified person in order to avoid hazard.

WARNING

- **Keep ventilation openings, in the appliance enclosure or in the built-in structure, clear of obstruction.**
- **Do not use mechanical devices or other means to accelerate the defrosting process, other than those recommended by the manufacturer.**
- **Do not damage the refrigerant circuit.**
- **Do not use electrical appliances inside the food storage compartments of the appliance, unless they are of the type recommended by the manufacturer.**

This unit is 71 cm (27.95 inches) wide by 155 cm (61.02 inches) high by 75 cm (29.53 inches) deep, please make sure that you leave the minimum amount of space between the unit and all surrounding walls and vents (see location section). Do not cover any of the ventilation openings with any material as the unit needs adequate space to breathe.

SAVE THESE INSTRUCTIONS!



Installation Instructions

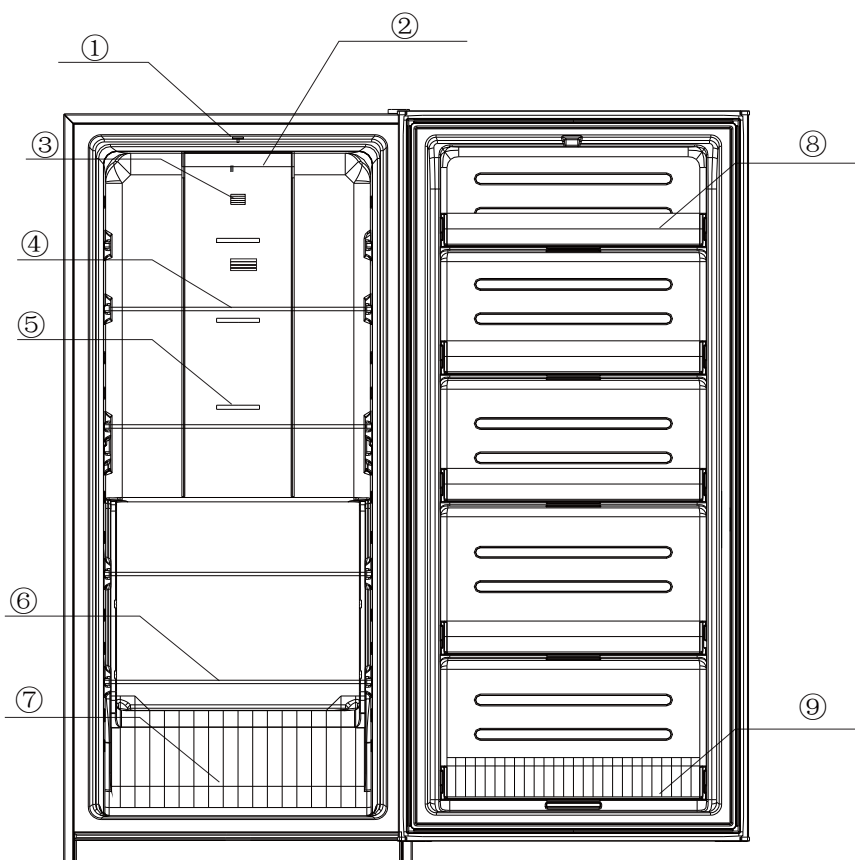
LOCATION

Remove exterior and interior packaging, wipe the outside thoroughly with a soft dry cloth and the inside with a wet, luke-warm cloth. Avoid placing the unit in a narrow recess or near any heat source, direct sunlight, or moisture. Let air circulate freely around the unit. Keep the rear of the unit 10.6 cm / 4 inches away from the wall, ensure there is 20.3 cm / 8 inches of clearance between each side and the wall and ensure there is 30.5 cm / 12 inches of clearance between the top of the unit and any cabinets or ceilings. This will allow proper air circulation.

1. Locate the freezer in such a manner that extension cords are not necessary.
2. Select a location with consistent year round temperatures. We do not recommend operating the freezer when surrounding air temperature is below 5°C (41°F), though it will not harm the freezer to stand in any temperature below 5°C (41°F), provided the temperature control is set to avoid running the unit. In order to keep operating cost down, do not place freezer near a stove, furnace, heat register or in direct sunlight. Avoid placing the unit in a damp or moist area, such as basements.

FEATURES

1. Interior Light Switch
2. Light Cover
3. Temperature Sensor
4. Freezer Shelf
5. Airflow Outlet
6. Airflow Inlet
7. Freezer Drawer
8. Door Shelf
9. Wire Door Basket

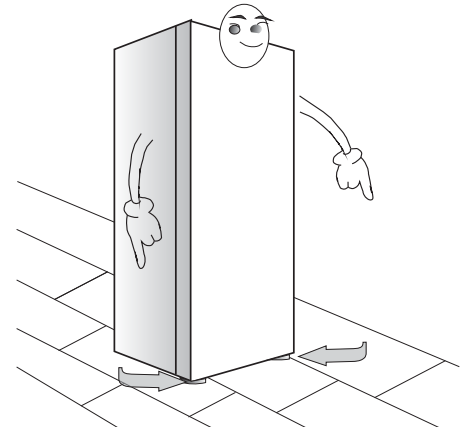




Installation Instructions

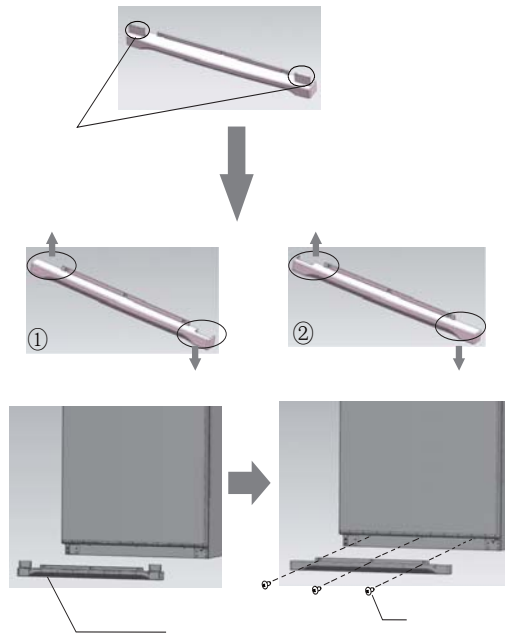
LEVELLING LEGS

If the unit is not level, the doors and seal may not function correctly, causing the unit to operate inefficiently. To level the unit turn the levelling leg(s) clockwise to rise or counter-clockwise to lower.



DECORATIVE COVER

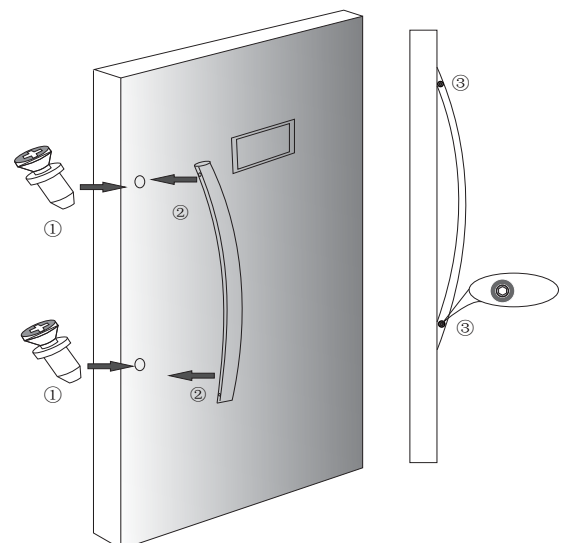
To install the decorative cover, please follow the steps in the below diagram. The decorative cover is installed at the bottom of the unit.



HANDLE INSTALLTION

The unit must be unplugged before installing the handle.

1. Take 2 screws and install them in the pre-drilled door holes, be sure to turn them until they cannot be further tightened.
2. Position the handle over the screws.
3. Put the other set of handle screws in the hole on the side of the handle and turn until they are fully tightened.





Operating Instructions

STARTING THE FREEZER

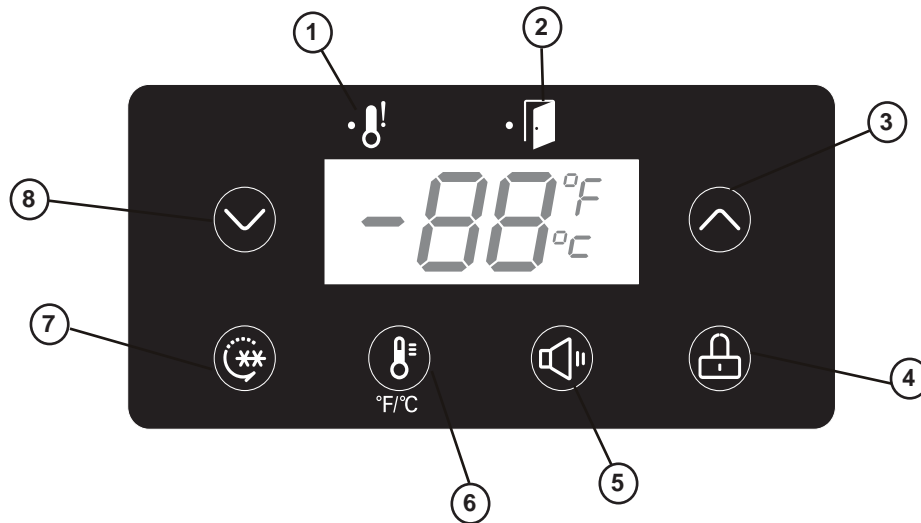
The freezer is ready to operate as received, when connected to the power supply. After connecting to the power supply, close the door and allow the freezer to operate. The unit will run from 1 to 2 hours (possibly longer, depending on conditions) before operating temperature is reached. It will then start and stop (cycle) at fairly regular intervals. It is recommended that food not be placed in the freezer until you are satisfied that it is operating (cycling) regularly and no final adjustments are necessary (after running for 24 hours).

Once your freezer is starting and stopping (cycling) regularly, it is ready to freeze and store foods. The proper food storage temperature is -18°C (0°F). Do not operate freezer at temperatures below -19°C (-3°F), as this does not improve food preservation and only results in longer unit (cycle) running time. It is not advisable to freeze more than 1-1.4 kg / 2-3 pounds of food, per litre squared / cubic foot, in any 24 hour period. It will take 15 or more hours of running to freeze this amount of food.

When adding fresh, unfrozen food packages, store them against the walls. The sensing bulb of the thermostat is fastened to the liner wall on the "insulation side" of the freezer. In view of the value of the contents of your freezer, it is advisable to inspect contents and check freezer operation regularly.

Note: This unit is not designed for outside installation, including installation anywhere that is not temperature controlled (garages, porches, carports, etc.). Before connecting the appliance to an electrical power supply, let it stand 6 hours. This will reduce the possibility of malfunctions in the cooling system due to transport handling.

TEMPERATURE CONTROL



Setting Temperature:

- The temperature of the freezer compartment is controlled by adjusting / setting the thermostat control panel. Press the arrow keys (3 and 8) to set / adjust the temperature. When the temperature icon is flashing, you can set the temperature between -16°C to -24°C (3°F to -11°F), the recommended temperature setting is -18°C (0°F). The setting will take approximately 10 seconds to take effect. Pressing the lock key (4) will allow you to lock the control panel so that the temperature cannot be changed without first unlocking the control panel (child lock function).

Setting Quick Freeze Function:

- The quick freeze function allows the compressor to continuously run for 6 or 48 hours. Press the quick freeze button (7) twice and hold for 3 seconds to engage quick freeze mode. When the display icon flashes, press the up or down arrows (3 and 8) to adjust the quick freeze time, either 6 hours or 48 hours. Once the setting has been selected, you can lock the control panel. For household "quick freeze," we recommend setting it to 6 hours. To cancel the quick freeze function, press the quick freeze key (7), the temperature icon will display -24, press the quick freeze button (7) again to exit, the quick freeze function has now been cancelled. Once the quick freeze function ends or is cancelled, the unit will revert to the last set temperature. If the unit cannot revert to the last set temperature, it will revert to the default temperature (-18°C or 0°F).



Operating Instructions

TEMPERATURE CONTROL

Switching Between °C and °F:

- To switch between °C and °F, press the °C/°F key (6).

Freezer Alarm:

- Press the alarm button (5) to stop the alarm from sounding. The alarm will sound when the freezer has reached a warmer temperature.

DISPLAY LOCK AND UNLOCK

If you cannot adjust the temperature of the freezer after plugging the unit in you must first unlock the display by pressing and holding the lock button until the unit chimes.

To lock your desired temperature settings press and hold the lock button until the unit chimes.

To unlock and adjust the current temperature settings press and hold the lock button until the unit chimes.

Note: 10-15 seconds after closing the freezer door the temperature will no longer be displayed. The temperature will reappear on the display if the door is opened or if you make a change to the current settings.

SOME IMPORTANT RULES FOR THE CORRECT USE OF THE FREEZER

- Never place hot foods in the freezer.
- Never place spoiled foods in the unit.
- Don't overload the unit.
- Don't open the lid unless necessary.
- Should the freezer be stored without use for long periods, it is suggested, after careful cleaning, to leave the lid open to allow the air to circulate inside the unit in order to avoid the possibility of condensation, mold or odors.



Care and Maintenance

DEFROSTING

This unit is equipped with a "Frost Free" type cooling system, which means you never have to defrost the freezer compartment. Defrosting is done automatically by means of a defrost heating element and a defrost timer factory-programmed to operate / cycle. The defrost water is routed into a defrost pan located directly above the compressor, where it then evaporates.

CLEANING

Upon installation of your new appliance, it is recommended that it be cleaned thoroughly.

1. After removing the food and placing it somewhere where it will not thaw, turn the control to "OFF," and unplug the unit.
2. Using a mild detergent and warm water solution, use a clean damp cloth or sponge to wipe the inside of the unit.
3. Do not use abrasive or harsh cleaners. Hand wash, rinse and dry all surfaces thoroughly. Do not use cleaning waxes, detergents, bleach etc. on the unit. Never use paper towel, window spray, scouring cleansers or flammable cleaners as they can scratch and damage the unit. Clean with a damp cloth and dry with a soft clean dry cloth.



Care and Maintenance

VACATION TIME

For short vacation periods, leave the control knob at its normal setting. During longer absences,

1. remove all food,
2. disconnect power cord from electrical outlet,
3. defrost and clean the freezer thoroughly,
4. leave lid open to avoid possible formations of condensation, mold or odors.

ELECTRICAL AND MECHANICAL FAILURE

In the event of mechanical or electrical failure of the freezer, contact a service agent immediately and give complete information of your freezer, the model number and serial number. These are shown on the serial plate located on the exterior (rear) cabinet wall.

POWER FAILURE

Most power failures are corrected within an hour or two and will not affect your freezer temperatures. However, you should minimize the number of lid openings while the power is off. During power failures of longer duration, take steps to protect your food.

IF YOU MOVE

Remove or securely fasten down all loose items inside the unit. To avoid damaging the leveling legs, turn them all the way into the base.



Troubleshooting

Occasionally, a minor problem may arise, and a service call may not be necessary - use this troubleshooting guide for a possible solution. If the unit continues to operate improperly, call an authorized service depot or **Danby's Toll Free Number** for assistance.

Tel: 1-800-26-**Danby**® (1-800-263-2629)

PROBLEM	POSSIBLE CAUSE	SOLUTION
Does not work	<ul style="list-style-type: none"> No power to unit Power cord is unplugged Wrong voltage is being used 	<ul style="list-style-type: none"> Check connection of power cord to power source Plug in unit Use proper voltage
Freezer runs continuously	<ul style="list-style-type: none"> Temperature set too low (cold) Lid is not closed Hot food was inserted Lid opened too long or too often Close proximity to heat source or direct sunlight Quick Freeze function is set 	<ul style="list-style-type: none"> Set temperature control to warmer setting Close lid securely Be sure food is at room temperature before inserting Minimize lid openings / duration Do not place unit close to heat sources or direct sunlight This is normal
Internal temperature not cold enough	<ul style="list-style-type: none"> No power to unit Power cord is unplugged Temperature set too high (warm) Lid is not closed Hot food was inserted Lid opened too long or too often Air flow obstruction Wrong voltage is being used. Close proximity to heat source or direct sunlight 	<ul style="list-style-type: none"> Check connection of power cord to power source Plug in unit Check setting and adjust as needed Close lid securely Be sure that food is at room temperature Minimize lid openings / duration Allow room for air to circulate around unit Use proper voltage Do not place unit close to heat sources or direct sunlight
Temperature inside the unit is too cold	<ul style="list-style-type: none"> The temperature control is set too cold 	<ul style="list-style-type: none"> Adjust the temperature setting
Noises coming from the unit (popping, cracking, gurgling)	<ul style="list-style-type: none"> Parts are expanding and contracting. Refrigerant is circulating in the system 	<ul style="list-style-type: none"> This is normal This is normal

Error Codes:

- E2:** Freezer temperature sensor failure.
- E5:** Freezer defrosting sensor failure.
- E6:** Communication failure.
- E7:** Ambient temperature sensor failure.
- E9:** Freezer high temperature.



LIMITED IN-HOME APPLIANCE WARRANTY

This quality product is warranted to be free from manufacturer's defects in material and workmanship, provided that the unit is used under the normal operating conditions intended by the manufacturer.

This warranty is available only to the person to whom the unit was originally sold by Danby Products Limited (Canada) or Danby Products Inc. (U.S.A.) (hereafter "Danby") or by an authorized distributor of Danby, and is non-transferable.

TERMS OF WARRANTY

Plastic parts, are warranted for thirty (30) days only from purchase date, with no extensions provided.

First 18 months During the first eighteen (18) months, any functional parts of this product found to be defective, will be repaired or replaced, at warrantor's option, at no charge to the ORIGINAL purchaser.

To obtain service Danby reserves the right to limit the boundaries of "In Home Service" to the proximity of an Authorized Service Depot. Any appliance requiring service outside the limited boundaries of "In Home Service", it will be the consumer's responsibility to transport the appliance (at their own expense) to the original retailer (point of purchase) or a service depot for repair. See "Boundaries of In Home Service" below. Contact your dealer from whom your unit was purchased, or contact your nearest authorized Danby service depot, where service must be performed by a qualified service technician. If service is performed on the unit by anyone other than an authorized service depot, or the unit is used for commercial application, all obligations of Danby under this warranty shall be void.

Boundaries of In Home Service If the appliance is installed in a location that is 100 kilometres (62 miles) or more from the nearest service centre your unit must be delivered to the nearest authorized Danby Service Depot, as service must only be performed by a technician qualified and certified for warranty service by Danby. Transportation charges to and from the service location are not protected by this warranty and are the responsibility of the purchaser.

Nothing within this warranty shall imply that Danby will be responsible or liable for any spoilage or damage to food or other contents of this appliance, whether due to any defect of the appliance, or its use, whether proper or improper.

EXCLUSIONS

Save as herein provided, by Danby, there are no other warranties, conditions, representations or guarantees, express or implied, made or intended by Danby or its authorized distributors and all other warranties, conditions, representations or guarantees, including any warranties, conditions, representations or guarantees under any Sale of Goods Act or like legislation or statute is hereby expressly excluded. Save as herein provided, Danby shall not be responsible for any damages to persons or property, including the unit itself, howsoever caused or any consequential damages arising from the malfunction of the unit and by the purchase of the unit, the purchaser does hereby agree to indemnify and hold harmless Danby from any claim for damages to persons or property caused by the unit.

GENERAL PROVISIONS

No warranty or insurance herein contained or set out shall apply when damage or repair is caused by any of the following:

- 1) Power failure.
- 2) Damage in transit or when moving the appliance.
- 3) Improper power supply such as low voltage, defective house wiring or inadequate fuses.
- 4) Accident, alteration, abuse or misuse of the appliance such as inadequate air circulation in the room or abnormal operating conditions (extremely high or low room temperature).
- 5) Use for commercial or industrial purposes (i.e., If the appliance is not installed in a domestic residence).
- 6) Fire, water damage, theft, war, riot, hostility, acts of God such as hurricanes, floods etc.
- 7) Service calls resulting in customer education.
- 8) Improper Installation (i.e., Building-in of a free standing appliance or using an appliance outdoors that is not approved for outdoor application).

Proof of purchase date will be required for warranty claims; so, please retain bills of sale. In the event warranty service is required, present this document to our AUTHORIZED SERVICE DEPOT.

Warranty Service
In-home

Danby Products Limited
PO Box 1778, Guelph, Ontario, Canada N1H 6Z9
Telephone: (519) 837-0920 FAX: (519) 837-0449

1-800-263-2629
07/14

Danby Products Inc.
PO Box 669, Findlay, Ohio, U.S.A. 45840
Telephone: (419) 425-8627 FAX: (419) 425-8629

Bienvenue

Bienvenue dans la famille Danby. Nous sommes fiers de la qualité de nos produits et nous croyons fermement au service par une assistance fiable. Vous le découvrirez à la lecture de ce guide facile d'utilisation et vous en aurez la confirmation par notre service d'assistance à la clientèle. Mais ce qui est encore mieux, vous pourrez bénéficier de ces avantages à chaque utilisation de votre appareil. Ceci est important parce que votre nouvel appareil fera partie de votre famille pour longtemps.

Veillez noter les informations ci-dessous; ces renseignements seront nécessaires si votre appareil a besoin d'entretien ou pour les demandes de renseignements généraux. Pour bénéficier d'une opération de maintenance ou de dépannage, le reçu original sera exigé.

Numéro de modèle : _____

Numéro de serie : _____

Date d'achat : _____

BESOIN D'ASSISTANCE ?

Veillez trouver quelques conseils avant de faire appel à nos services, cela nous aidera à mieux vous servir :

Lisez ce guide :

Il comprend des instructions pour l'utilisation et l'entretien adapté de votre appareil.

Si votre nouvel appareil est endommagé :

Contactez immédiatement le revendeur (ou le fabricant).

Gagnez du temps et de l'argent :

Avant de faire appel à nos services, consultez à nouveau la section « Dépannage ». Cette section vous aidera à résoudre des problèmes courants.

Si une réparation est nécessaire, ne vous inquiétez pas, la solution est au bout du fil.



1-800-26- **Danby**
(1-800-263-2629)



Consignes de sécurité importantes

PRENDRE CONNAISSANCE DE TOUTES LES INFORMATIONS RELATIVES À LA SÉCURITÉ AVANT D'UTILISER LE PRODUIT

Cet appareil doit être mis à la terre. En cas de court-circuit, la mise à la terre réduit les risques de décharge électrique en fournissant un échappatoire au courant électrique. L'appareil est muni d'un cordon électrique comprenant un fil de mise à la terre et une fiche de terre.

CONDITIONS ÉLECTRIQUES

ATTENTION

ÉNERGIÉ ÉLECTRIQUE : Le voltage et la fréquence requis pour ce congélateur sont indiqués sur la plaque d'identification.

Dû aux variations possibles sur la ligne de voltage (causé par une surcharge des circuits) il est recommandé d'installer un circuit séparé avec fusibles à partir du panneau compteur. Ceci aidera à éliminer les fluctuations du courant qui peuvent endommager le moteur.



AVERTISSEMENT IMPORTANT!

Un congélateur vide peut représenter un attrait dangereux aux enfants. Retirer le joint d'étanchéité, les loquets, les couvercles ou portes des appareils ménagers inutilisés, ou prenez d'autres mesures qui assureront que l'appareil ne posera aucun danger.

DANGER : Risque de piéger un enfant. Avant de mettre votre vieux congélateur ou réfrigérateur au rebut :

- Enlever les portes.
- Laisser les tablettes en place afin que les enfants ne puissent pas facilement y entrer.

N'ATTENDEZ PAS! FAITES-LE IMMÉDIATEMENT!



AVERTISSEMENT! DANGER D'EXPLOSION!

Risque d'incendie ou d'explosion causé par la perforation de tuyaux frigorigènes. Ne jamais utiliser un objet pointu pour assister au dégel. Manipuler avec soin. Garder les matériaux et vapeurs inflammables comme de l'essence loin du congélateur. Utiliser un nettoyant ininflammable.

La mise au rebut de cet item doit être faite selon les lois locales et fédérales.

Veuillez vous assurer que les pièces de rechange sont remplacées par des pièces similaires, et que l'entretien soit effectué par un technicien agréé par l'usine, afin réduire le risque d'incendie à cause de mauvaises pièces ou d'entretien mal fait.

MISE À LA TERRE

L'appareil est muni d'un cordon électrique comprenant un fil de mise à la terre et une fiche de terre. Branchez la fiche dans une prise de courant correctement installée et mise à la terre.

AVERTISSEMENT - Une fiche de mise à la terre mal branchée peut entraîner un risque d'incendie, de choc électrique ou de blessures aux personnes qui utilisent l'appareil. Si vous n'êtes pas certain que l'appareil est correctement mis à la terre, consultez un préposé du service qualifié.

N'UTILISER JAMAIS DE FIL DE RALLONGE

Branchez le congélateur à son propre circuit de 115V. N'utilisez pas de rallonge électrique pour brancher votre congélateur. Ne branchez pas le congélateur à une prise femelle multiple qui sera également utilisée pour d'autres appareils électriques. N'épissez pas le cordon électrique.

CONSERVEZ CES INSTRUCTIONS!



Consignes de sécurité importantes

PRENDRE CONNAISSANCE DE TOUTES LES INFORMATIONS RELATIVES À LA SÉCURITÉ AVANT D'UTILISER LE PRODUIT

- Ce dispositif n'est pas désigné d'être utilisé par des personnes (y compris enfants) dont le développement et capacité physique, sensoriel ou mental est différente ou réduite, ou par les personnes qui manquent expérience ou connaissance sauf si ces personnes sont surveillés ou formés par une personne responsable de leur sécurité.
- Les enfants doivent être surveillés pour s'assurer qu'ils ne jouent pas avec l'appareil.
- Ne pas utiliser de rallonges et des adaptateurs (avec 2 prises) qui ne sont pas de mise à la terre.
- Pour éviter les risques, si le cordon est endommagé, il doit être remplacé par le fabricant, son agent de service ou une personne qualifiée.

AVERTISSEMENT

- Les prises d'air de l'enceinte de l'appareil ou de la structure encastré doivent être dégagées en tout temps.
- Ne pas utiliser d'appareils mécaniques ou autres moyens pour accélérer le dégivrage que ceux recommandés par le fabricant.
- Ne pas endommager le circuit frigorigène.
- Ne pas utiliser d'appareils électriques à l'intérieur du compartiment de conservation des aliments de cet appareil, sauf s'ils sont du type recommandé par le fabricant.

Cette unité est 71 cm (27,95 pouces) de large par 155 cm (61,02 pouces) de haut par 75 cm (29,23 pouces) de profondeur; S'il vous plaît assurez-vous de laisser le dégagement minimum d'entre l'appareil et tous les murs environnants et les ouvertures (voir l'emplacement). Ne couvrez pas les ouvertures de ventilation avec un matériau parce que l'unité a besoin d'espace de respiration adéquate.

CONSERVEZ CES INSTRUCTIONS!



Instructions d'installation

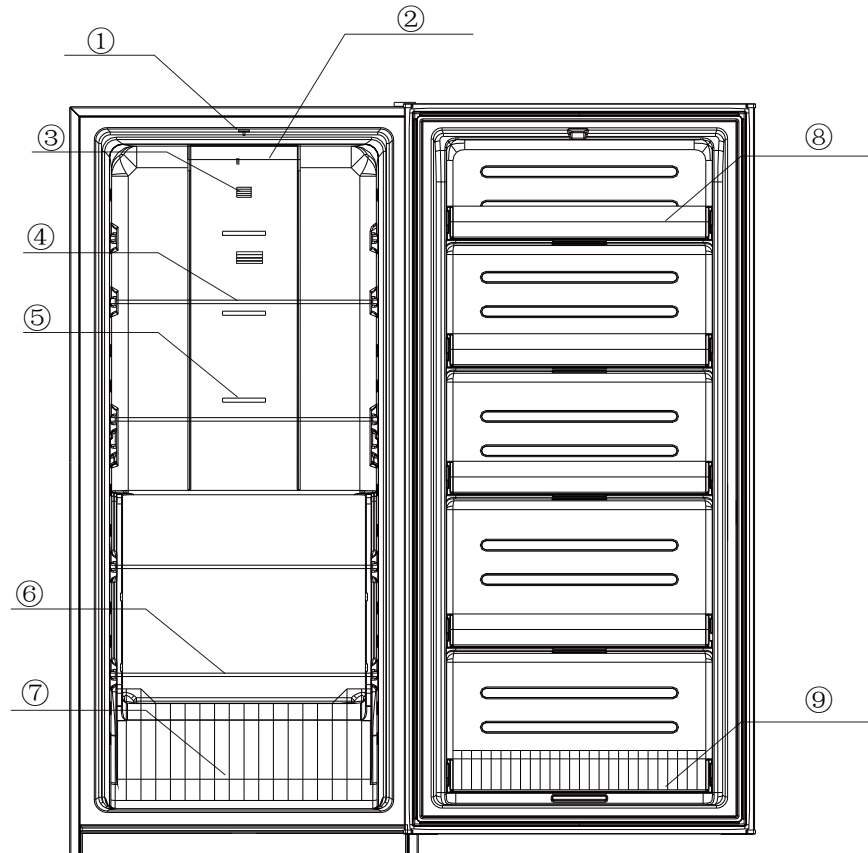
EMPLACEMENT

Enlevez les emballages extérieurs et intérieurs. Essuyez complètement l'extérieur avec un linge doux sec et l'intérieur avec un linge humide tiède. Il ne faut jamais situer l'appareil dans un recoin étroit, proche d'une source d'air chaud. L'air doit circuler à l'entour de l'appareil. Gardez le dos de l'appareil à une distance de 10,6 cm / 4 pouces du mur, assurez-vous qu'il est de 20,3 cm / 8 pouce d'espace entre chaque murs et assurez-vous qu'il est de 30,5 cm / 12 pouces d'espace entre l'appareil et les armoires ou le plafond. Ceci permettra une circulation d'air.

1. Installez votre congélateur de telle façon qu'une rallonge électrique ne soit pas nécessaire.
2. Choisissez un endroit où la température est uniforme toute l'année. Ne pas faire fonctionner le congélateur lorsque l'air environnant est au-dessous de 5°C (41°F). Cependant, si la température est au-dessous de 5°C (41°F) le congélateur ne subira aucun dommage tant que le contrôle de température n'actionne pas l'unité motrice. Pour raison d'économie d'électricité, ne pas placer le congélateur près d'un poêle, d'une fournaise, d'un registre de chaleur, d'un radiateur ou encore directement au soleil. Ne placer pas l'appareil dans un espace mouillé ou humide, comme les sous-sols.

CARACTÉRISTIQUES

1. Interrupteur de la lumière intérieur
2. Couvercle de la lumière
3. Capteur du température
4. Étagère congélateur
5. Sortie d'air
6. L'entrée d'air
7. Tiroir du congélateur
8. Étagère du porte
9. Panier du porte

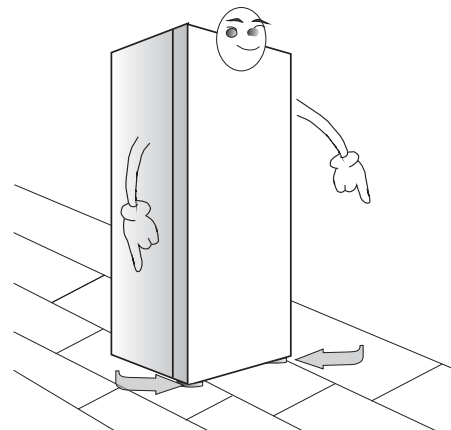




Instructions d'installation

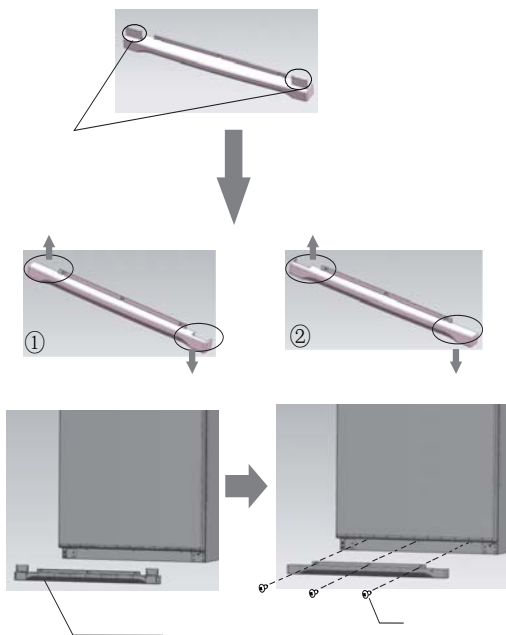
PIEDS DE NIVELLEMENT

Si l'appareil n'est pas niveau, les portes et les joint ne pourraient pas fonctionner correctement, ce qui rend l'appareil de fonctionner d'un manière inefficace. Pour niveler l'appareil tourner la jambe nivellement vers la droite pour augmenter ou dans le sens antihoraire pour abaisser.



COUVERCLE DECORATIF

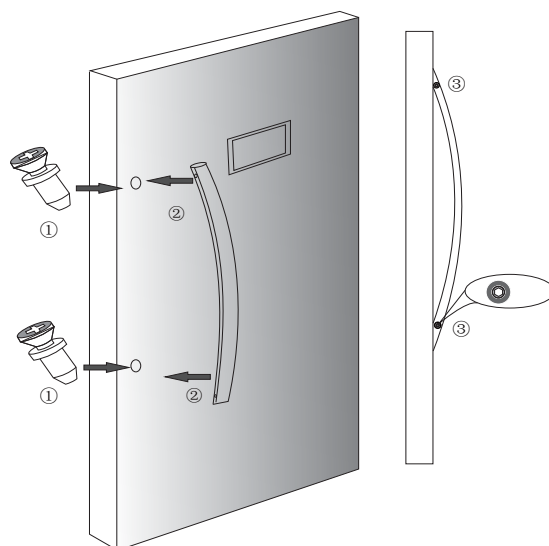
Pour installer le couvercle décoratif, s'il vous plaît suivez les étapes dans le tableau ci-dessous. Le couvercle décoratif est installé sur le fond de l'appareil.



INSTALLATION DU POIGNÉE

L'appareil doit être débranché avant d'installer la poignée.

1. Prenez deux vis et installer sur la porte, dans les trous pré-perçés, assurez-vous de les pivoter jusqu'à ce qu'ils ne peuvent pas tirer plus.
2. Placer la poignée sur les vis.
3. Placez l'autre vis de réglage dans le trou dans le côté de la poignée et tournez jusqu'à ce que serré.





Consignes d'utilisation

MISE EN MARCHÉ DU CONGÉLATEUR

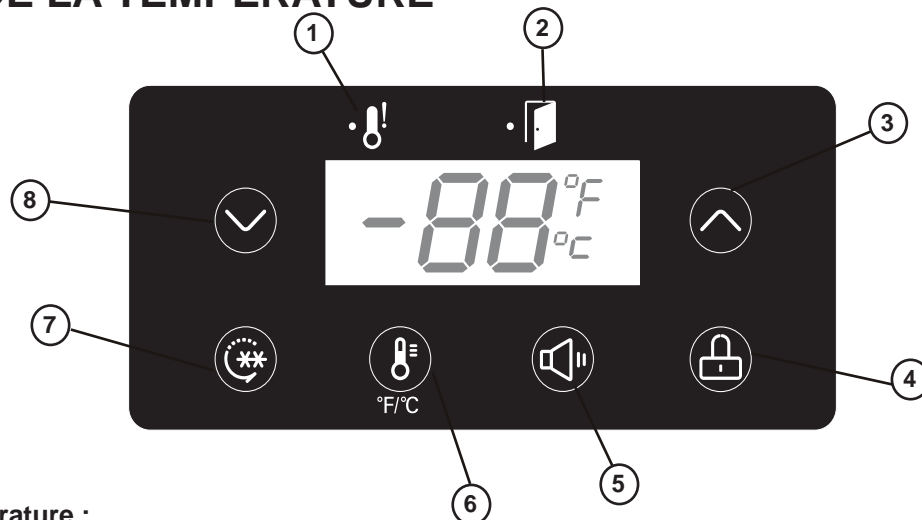
Le congélateur est prêt à opérer des qu'il à été branché sur une prise de courant électrique. Après le démarrage, fermez la porte et laissez le congélateur fonctionner. L'unité motrice marchera d'une à deux heures avant que la température d'opération soit atteinte. Elle repartira et s'arrêtera ensuite à des intervalles passablement réguliers. Il es recommandé de ne pas placer d'alliments dans le congélateur tant que vous serez satistait du fonctionnement de l'appareil et qu'aucun autre ajustement final ne soit nécessaire (après fonctionner l'appareil pendant 24 heures).

Lorsque votre congélateur est en marche et qu'il s'arrête régulièrement, il est prêt à congeler et à conserver bous ali-ments. -18°C (0°F) est une bonne température de stockage. Ne pas faire fonctionner le congélateur à des températures au-dessous de -19°C (-3°F) étant donné que cela n'améliore pas la conservation des aliments et ne résulte qu'à faire fonctionner plus longtemps l'unité motrice. Il est recommandé de ne pas geler plus de 1-1,4 kg / 2-3 livres de nourriture par carré litres / pied cube, dans une période de 24 heures. Cela va prendre plus de 15 heures de fonctionnement pour geler la quantité de nourriture.

Si on ajoute de la nourriture fraiche ou des paquets d'aliments non congelés, il est recommandé de les placer contre les parois. L'élément sensible du thermostat est apposé au mur de la cuve interne du « côté de l'isolation ». Du fait de la valeur du contenu de votre congélateur, il est conseillé d'inspecter son contenu et son opération régulièrement.

Remarque : Cet appareil n'a pas été conçu pour une installation extérieur, incluant l'installation dans un endroit qui n'a pas une température contrôlée (y compris les garages, les vérandas, les abris de voitures, etc.). Avant de brancher l'appareil à l'alimentation électrique, laissez-le reposer pendant environ 6 heures. Ce qui réduira la possibilité que le système de refroidissement présente des dysfonctionnements en raisin de la manutention au cours du transport.

CONTRÔLE DE LA TEMPÉRATURE



Réglage de la température :

- La température du congélateur est contrôlée en ajustant / réglage du panneau de commande du thermostat. Appuyez sur les flèches (3 et 8) pour régler / ajuster la température. Lorsque l'icône de température clignote, vous pouvez régler la température entre -16°C à -24°C (3°F à -11°F), le réglage de température recommandée est de -18°C (0°F). Ajustement prend environ 10 secondes pour prendre effet. En appuyant sur la clé de verrouillage (4) vous permettra de verrouiller le panneau de commande pour que la température ne peut être modifiée sans avoir d'abord déverrouillé le panneau de commande (fonction de verrouillage enfant).

Réglage de la fonction de congélation rapide :

- La fonction de congélation rapide permet la compresseur de fonctionner en continu pendant 6 ou 48 heures. Appuyez sur la button de congélation rapide (7) deux fois et pendant trois secondes pour activer la congélation rapide. Lorsque l'icône clignote sur l'écran, appuyez sur la flèche vers le haut ou vers le bas (3 et 8) pour régler l'heure pour la congélation rapide. Une fois que la configuration est sélectionnée, vous pouvez verrouiller le panneau de commande. Pour la maison "congélation rapide", 6 heures est recommandé. Pour annuler, appuyez sur la congélation rapide (7), l'icône indiquera la température -24 , appuyez sur la touche de congélation rapide (7) pour quitter la fonction de congélation rapide. Une fois que la fonction de congélation rapide se termine ou est annulé, l'appareil revient à la dernière température de consigne. Si l'appareil ne peut pas revenir à la température réglée, il reviendra à la température prédéterminée (-18°C ou 0°F).



Consignes d'utilisation

CONTRÔLE DE LA TEMPÉRATURE

Changer entre °C et °F :

- Pour changer entre °C et °F, appuyez sur la touche °C/°F (6).

Alarme du congélateur :

- Appuyez sur le bouton d'alarme (5) pour arrêter l'alarme sonore. L'alarme commencera lorsque le congélateur atteint une température trop chaude.

AFFICHAGE VERROUILLAGE ET DÉVERROUILLAGE

Si vous ne pouvez ajuster la température du congélateur après avoir branché l'appareil, vous devez d'abord déverrouiller l'affichage en appuyant sur le bouton de verrouillage jusqu'à ce que l'appareil sonne.

Pour verrouiller les paramètres de température souhaités, maintenez le bouton de verrouillage enfoncé jusqu'à ce que l'appareil sonne.

Pour déverrouiller et régler les paramètres de température actuels, maintenez le bouton de verrouillage enfoncé jusqu'à ce que l'unité sonne.

Remarque: 10-15 secondes après avoir fermé la porte du congélateur, la température ne sera plus affichée. La température réapparaît à l'écran si la porte est ouverte ou si vous modifiez les paramètres actuels.

IMPORTANTES CONSIGNES DE SÉCURITÉ POUR L'UTILISATION DU CONGÉLATEUR

- Ne jamais ranger d'aliments chauds dans le congélateur.
- Ne jamais placer des aliments pourris dans le réfrigérateur.
- Ne jamais surcharger l'appareil.
- Ouvrir le couvercle seulement si nécessaire.
- Pour un rangement prolongé de l'appareil, il est suggéré de laver l'appareil, de laisser la porte ouverte afin de fournir une circulation d'air à l'intérieur du meuble et d'éviter le développement de condensation, de moisissures et d'odeurs.



Soins et entretien

DÉGIVRER

Ce réfrigérateur comprend un système de réfrigération « sans givre », ce qui signifie que vous n'aurez jamais besoin de dégivrer le congélateur. Le dégivrage se fait automatiquement à l'aide d'un élément chauffant de dégivrage et d'un chronomètre de dégivrage programme à l'usine. L'eau produite lors du dégivrage est acheminée vers un plateau de dégivrage situé directement au-dessus du compresseur, si bien qu'elle s'évapore.

NETTOYAGE

Après l'installation de votre nouvel appareil, il est recommandé de nettoyer soigneusement.

1. Après d'avoir enlevé la nourriture et le placer dans un endroit où il ne sera pas dégelé, tournez le bouton sur "OFF" et débranchez l'appareil.
2. À l'aide d'un mélange de détergent doux et d'eau chaude, mouiller une serviette ou une éponge pour nettoyer l'intérieur de l'unité.
3. N'utilisez pas des nettoyants abrasifs. Rincer et sécher toutes les surfaces soigneusement. N'utiliser pas des cires de nettoyage, détergents, eau de Javel, etc. sur l'appareil. N'utilisez jamais une serviette en papier, laveur de vitres, nettoyants à récurer ou des nettoyants inflammables car elles peuvent gratter et endommager l'appareil. Nettoyer avec une serviette mouillée et sécher avec un chiffon doux et propre.



Soins et entretien

PENDANT LE VACANCES

Si vous prenez des vacances de courte durée, laissez le bouton de commande à son réglage normal. Si l'absence doit durer longtemps,

1. enlever tous les aliments,
2. débranchez l'appareil de la prise murale,
3. nettoyez le congélateur complètement,
4. laisser la couvercle ouvert pour éviter les mauvaises odeurs.

PANNE ÉLECTRIQUE OU MÉCANIQUE

S'il arrivait une panne électrique ou mécanique sur votre congélateur, communiquez immédiatement avec votre vendeur en lui donnant l'information complète sur votre appareil, le numéro de modèle et le numéro de série. Ces numéros apparaissent sur la plaque d'identification à l'extérieur (sur la paroi arrière) de votre congélateur.

PANNE D'ÉLECTRICITÉ

La plupart des pannes d'électricité sont corrigées dans un délai d'une heure et n'ont pas d'effets sur la température du congélateur. Il est nécessaire de réduire le nombre d'ouvertures du couvercle pendant une panne. Pendant les pannes qui durent plus qu'une heure, prendre des mesures pour protéger vos aliments.

DÉMENAGEMENT

Enlever ou immobiliser toutes les pièces amovibles (c'-à-d; les clayettes) à l'intérieur du congélateur. Serrer les vis à nivellement à la base afin de ne pas les endommager.



Dépannage

De temps en temps, un problème est mineur et un appel de service peut ne pas être nécessaire. Utilisez ce guide de dépannage pour trouver une solution possible. Si l'unité continue de fonctionner incorrectement, appelez un dépôt de service autorisé ou le **numéro sans frais de Danby** pour obtenir de l'assistance.

Tel: 1-800-26-**Danby**® (1-800-263-2629)

PROBLÈME	CAUSE PROBABLE	SOLUTION
Ne fonctionne pas	<ul style="list-style-type: none"> • Pas de tension à l'unité • Le cordon d'alimentation est débranché • Le mauvais voltage est utilisé 	<ul style="list-style-type: none"> • Vérifiez la connexion du cordon d'alimentation • Branchez l'appareil • Utilisez le voltage approprié
Le congélateur fonctionne sans arrêt	<ul style="list-style-type: none"> • Le contrôle de température est réglé à un réglage trop élevé (chaud) • Le couvercle n'est pas fermée • De la nourriture chaude a été insérée • Le couvercle est ouvert trop souvent/longtemps • Proximité d'une source de chaleur ou source de soleil • La fonction de congélation rapide est établie. 	<ul style="list-style-type: none"> • Vérifiez le contrôle de température et ajustez-le au besoin • Fermez la couvercle • Assurez-vous que la nourriture est fraîche avant de la placer dans l'appareil • Minimisez l'ouverture du couvercle • Ne placez pas l'appareil près d'une source de chaleur et évitez une exposition directe aux rayons du chaleur/du soleil • C'est normal
La température interne n'est pas assez froide	<ul style="list-style-type: none"> • Pas de tension à l'unité • Le cordon d'alimentation est débranché • Le contrôle de température est réglé à un réglage trop bas (chaud) • Ne couvercle n'est pas fermé • La nourriture est chaude • Le couvercle est ouvert trop souvent/longtemps • Obstruction de la circulation de l'air • Le mauvais voltage est utilisé • Proximité d'une source de chaleur ou exposition directe aux rayons du soleil 	<ul style="list-style-type: none"> • Vérifiez la connexion du cordon d'alimentation • Branchez l'appareil • Vérifiez le réglage et augmentez-le au besoin • Fermez le couvercle • Assurez-vous que la nourriture est fraîche avant de la placer dans l'appareil • Minimisez l'ouverture du couvercle • Laissez l'air circuler dans la pièce autour de l'appareil • Utilisez le voltage approprié • Ne placez pas l'appareil près d'une source de chaleur et évitez une exposition directe aux rayons du soleil
La température à l'intérieur de l'appareil est trop froide	<ul style="list-style-type: none"> • Contrôle du température est trop froide 	<ul style="list-style-type: none"> • Ajustez le réglage de la température
Bruits provenant d'unité (bruit, claquement, gargouillis)	<ul style="list-style-type: none"> • Expansion et la contraction des pièces • Réfrigérant circulant dans le système 	<ul style="list-style-type: none"> • C'est normal • C'est normal

Les codes d'erreur :

- **E2:** Défaut dans le capteur de température du congélateur.
- **E5:** Capteurs dégivrages du congélateur en défaut.
- **E6:** Erreur de communication.
- **E7:** Capteur de température ambiante en défaut.
- **E9:** Haute température dans le congélateur.

GARANTIE LIMITÉE SUR APPAREIL ÉLECTROMÉNAGER À DOMICILE

Cet appareil de qualité est garanti exempt de tout vice de matière première et de fabrication, s'il est utilisé dans les conditions normales recommandées par le fabricant.

Cette garantie n'est offerte qu'à l'acheteur initial de l'appareil vendu par Danby Products Limited (Canada) ou Danby Products Inc. (E.- U.A.) (ci-après « Danby ») ou par l'un des ses distributeurs agréés et elle ne peut être transférée.

CONDITIONS

Les pièces en plastique sont garanties pendant trente (30) jours seulement à partir de la date de l'achat, sans aucune prolongation prévue.

Premiers 18 mois Pendant les premiers dix-huit (18) mois, toutes les pièces fonctionnelles de ce produit qui s'avèrent défectueuses seront réparées ou remplacées, selon le choix du garant, sans frais à l'acheteur INITIAL.

Pour bénéficier du service Le client sera responsable pour le transport et tous les frais d'expédition de tout appareil exigeant le service au dépôt de service autorisé le plus proche. S'adresser au détaillant qui a vendu l'appareil, ou à la station technique agréée de service la plus proche, où les réparations doivent être effectuées par un technicien qualifié. Si les réparations sont effectuées par quiconque autre que la station de service agréée où à des fins commerciales, toutes les obligations de Danby en vertu de cette garantie seront annulées.

Limites de l'entretien à domicile Si l'appareil est installé à plus de 100 kilomètres (62 milles) du centre de service le plus proche, il doit être livré à l'atelier de réparation autorisé par Danby le plus proche, car l'entretien doit uniquement être réalisé par un technicien qualifié et certifié pour effectuer un entretien couvert par la garantie de Danby. Les frais de transport entre votre domicile et le lieu de l'entretien ne sont pas couverts par la présente garantie et doivent être acquittés par l'acheteur.

Aucune partie de la garantie ne prévoit implicitement que le fabricant sera tenu responsable des dommages subis par les aliments ou d'autres types de contenu, qu'ils soient causés par la défectuosité de l'appareil ou par son usage adéquat ou inadéquat.

EXCLUSIONS

En vertu de la présente, il n'existe aucune autre garantie, condition ou représentation, qu'elle soit exprimée ou tacite, de façon manifeste ou intentionnelle, par Danby ou ses distributeurs agréés. De même, sont exclues toutes les autres garanties, conditions ou représentations, y compris les garanties, conditions ou représentations en vertu de toute loi régissant la vente de produits ou de toute autre législation ou règlement semblables. En vertu de la présente, Danby ne peut être tenue responsable en cas de blessures corporelles ou des dégâts matériels, y compris à l'appareil, quelle qu'en soit les causes. Danby ne peut pas être tenue responsable des dommages indirects dus au fonctionnement défectueux de l'appareil. En achetant l'appareil, l'acheteur accepte de mettre à couvert et de dégager Danby de toute responsabilité en cas de réclamation pour toute blessure corporelle ou tout dégât matériel causé par cet appareil.

CONDITIONS GÉNÉRALES

La garantie ou assurance ci-dessus ne s'applique pas si les dégâts ou réparations sont dus aux cas suivants :

- 1) Panne de courant.
- 2) Dommages subis pendant le transport ou le déplacement de l'appareil.
- 3) Alimentation électrique incorrecte (tension faible, câblage défectueux, fusibles incorrects).
- 4) Accident, modification, emploi abusif ou incorrect de l'appareil tel qu'une circulation d'air inadéquate dans la pièce ou des conditions de fonctionnement anormales (température extrêmement élevée ou basse).
- 5) Utilisation dans un but commercial ou industriel (à savoir, si l'appareil n'est pas installé dans un domicile résidentiel).
- 6) Incendie, dommages causés par l'eau, vol, guerre, émeute, hostilités, cas de force majeure (ouragan, inondation, etc.).
- 7) Visites d'un technicien pour expliquer le fonctionnement de l'appareil au propriétaire.
- 8) Installation inappropriée (par exemple, encastrement d'un appareil autoportant, ou utilisation extérieure d'un appareil non conçu à cet effet). Une preuve d'achat doit être présentée pour toute demande de réparation sous garantie. Prière de garder le reçu. Pour faire honorer la garantie, présenter ce document à la station technique agréée ou s'adresser à :

Service sous garantie
Service au domicile

Danby Products Limited
PO Box 1778, Guelph, Ontario, Canada N1H 6Z9
Téléphone : (519) 837-0920 Télécopieur: (519) 837-0449

1-800-263-2629
03/14

Danby Products Inc.
PO Box 669, Findlay, Ohio, U.S.A. 45840
Téléphone: (419) 425-8627 Télécopieur: (419) 425-8629

Bienvenido

Bienvenido a la familia Danby. Estamos orgullosos de nuestros productos de alta calidad y creemos en el servicio confiable. Usted lo podrá apreciar en este manual fácil de usar, y lo escuchará en las voces amistosas de nuestro departamento de servicio al consumidor. Sobre todo, usted apreciará estas ventajas cada vez que use su unidad. Eso es importante, ya que su nuevo artefacto formará parte de su familia por mucho tiempo.

Por favor escriba la siguiente información; esta información será necesaria si su unidad requiere servicio o para hacer consultas generales. Para recibir servicio técnico debe mostrar el recibo original.

Número de modelo: _____
Número de serie: _____
Fecha de la compra: _____

NECESITA AYUDA

Antes de solicitar servicio, hay algunas cosas que puede hacer para ayudarnos a servirle mejor:

Lea este manual:

Contiene instrucciones que lo ayudarán a mantener correctamente su unidad.

Si usted recibe un artefacto dañado:

Llame inmediatamente al distribuidor (o constructor) que se lo vendió.

Ahorre tiempo y dinero:

Lea la sección de Diagnóstico de problemas antes de llamar. Esta sección le ayudará a resolver problemas comunes que pudieran ocurrir.

Si necesita asistencia, no se preocupe y llámenos.





Instrucciones de seguridad importantes

LEA TODA LA INFORMACIÓN SOBRE SEGURIDAD ANTES DE UTILIZAR EL EQUIPO

Este artefacto debe ser conectado a tierra. En caso de un corto circuito eléctrico, la conexión a tierra reduce el riesgo de una descarga eléctrica proporcionando un cable de retorno para la corriente eléctrica.

REQUISITOS ELÉCTRICOS

ADVERTENCIA

POTENCIAS ELÉCTRICAS: La placa de serie indica el voltaje y frecuencia que se debe utilizar para el congelador.

Debido a posibles variaciones en los voltaje de líneas (ocasionadas por sobrecargas de circuitos), se recomienda instalar un circuito con fusibles separado del panel medidor. Esto ayudará a eliminar las fluctuaciones de corriente que pueden causar problemas con el motor.



¡ADVERTENCIA IMPORTANTE!

Un congelador vacío es una atracción muy peligrosa para los niños. Saque todas las juntas, pestillos, tapas o la puerta de todo electrodoméstico que no esté en uso, o tome alguna medida para asegurar que no presente peligro.

¡PELIGRO! Peligro de atrapar a los niños en la unidad. Antes de desechar su antiguo refrigerador o congelador:

- Quite las puertas.
- Deje las tablas en sus lugares exactos a fin de que los niños no puedan subir fácilmente a la unidad.

¡NO ESPERE, HAGALO AHORA MISMO!



¡ADVERTENCIA! ¡PELIGRO DE EXPLOSIÓN!

Hay riesgo de incendio o explosión si el tubo de refrigerante es perforado. No use objetos cortantes para ayudar en descongelamiento. Tratar con cuidado. Mantenga lejos del congelador los vapores y materiales inflamables, como la gasolina. Use un limpiador no inflamable.

Siga las normas federales y locales para desechar la unidad.

Asegúrese de que las piezas del componente se reemplacen con componentes similares y que la reparación sea realizada por personal de servicio autorizado por la fábrica, para minimizar el riesgo de incendio debido a piezas incorrectas o reparación inadecuada.

LA CONEXIÓN A TIERRA

Este artefacto viene con un cable de alimentación que tiene un conductor y pata del enchufe de tierra. Este cable debe enchufarse en un tomacorriente debidamente instalado y con conexión a tierra.

ADVERTENCIA - El uso inadecuado del enchufe de conexión a tierra puede resultar en un riesgo de choque eléctrico. Consulte con un electricista o persona de reparaciones competente si no comprende bien las instrucciones de conexión a tierra o si existe alguna duda sobre si el aparato está conectado a tierra correctamente.

NO USE CABLES DE EXTENSIÓN

Use una toma de corriente exclusiva de 115V. No conecte su congelador a cables de extensión o junto a otro aparato en la misma toma de corriente. No empalme el cable.

¡GUARDE ESTAS INSTRUCCIONES!



Instrucciones de seguridad importantes

LEA TODA LA INFORMACIÓN SOBRE SEGURIDAD ANTES DE UTILIZAR EL EQUIPO

- Este aparato no se destina para utilizarse por personas (incluyendo niños) cuyas capacidades físicas, sensoriales o mentales sean diferentes o estén reducidas, o carezcan de experiencia o conocimiento, a menos que dichas personas reciban una supervisión o capacitación para el funcionamiento del aparato por una persona responsable de su seguridad.
- Los niños deben ser supervisados para asegurar que no jueguen con el electrodoméstico.
- No utilice cables de extensión o adaptadores sin conexión a tierra (dos dientes).
- Si el cable de alimentación está dañado, éste debe ser sustituido por el fabricante, su agente de servicio o persona igualmente calificada para así evitar riesgos.

ADVERTENCIA

- **Mantener libres de obstrucciones las aberturas de ventilación, en la envoltura del aparato o en la estructura empotrable.**
- **No utilizar dispositivos mecánicos u otros medios para acelerar el proceso de deshielo, distintos a aquellos a los recomendados por el fabricante.**
- **No dañar el circuito de refrigeración.**
- **No utilizar aparatos eléctricos dentro del compartimiento de almacenamiento de alimentos del aparato, a menos que sean del tipo recomendado por el fabricante.**

Esta unidad tiene 71 cm (27.95 pulgadas) de ancho por 155 cm (61.02 pulgadas) de alto por 75 cm (29.53 pulgadas) de profundidad; por favor asegúrese de dejar un espacio mínimo entre la unidad y todas las paredes circundantes y las aberturas de ventilación (ver la sección Ubicación) . No cubra ninguna de las aberturas de ventilación con ningún material ya que la unidad necesita un espacio adecuado para respirar.

¡GUARDE ESTAS INSTRUCCIONES!



Instrucciones de instalación

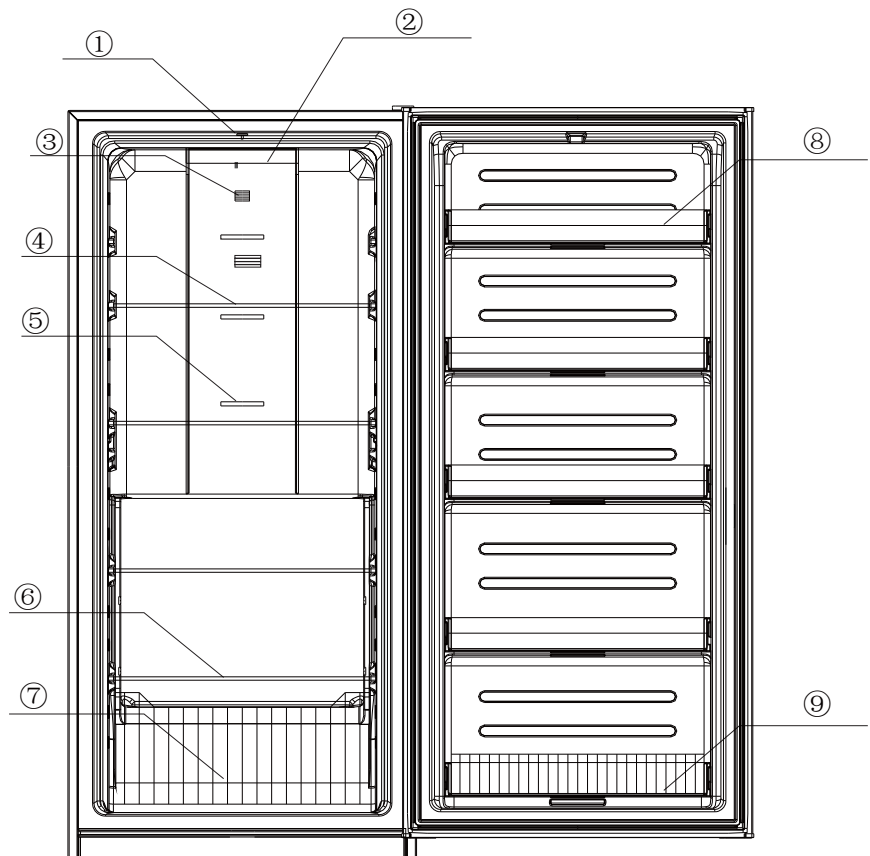
UBICACIÓN

Saque los embalajes exteriores e interiores, limpie el exterior bien con un paño suave seco y el interior con un paño húmedo y tibio. Evite colocar la caja en un hueco estrecho o cerca de una fuente de calor, luz desol directa, o lugar húmedo. Deje que el aire circule libremente alrededor de la caja. Mantenga la parte trasera de la unidad a una distancia de 10.6 cm / 4 pulgadas de la pared, asegúrese de que hay 20.3 cm / 8 pulgadas de espacio entre cada lado y la pared y asegúrese de que haya 30.5 cm / 12 pulgadas de espacio entre la parte superior de la unidad y cualquiera de los gabinetes o techos. Esto permitirá una circulación de aire adecuada.

1. Coloque el congelador de tal manera que no necesite cordones prolongadores.
2. Escoja una ubicación que tenga una temperatura consistente durante todo el año. No utilice el congelador si la temperatura ambiente es inferior a 5°C (41°F). Sin embargo, el congelador no sufrirá daños si se encuentra en un ambiente con temperaturas inferiores a 5°C (41°F), siempre que el control del congelador esté regulado para que la unidad no funcione, no coloque el congelador cerca de un horno, una caldera, en el sol. Evite colocar la unidad en un lugar mojado o húmedo, por ejemplo como sótanos.

CARACTERÍSTICAS

1. Interruptor de Luz Interior
2. Cubierta de luz
3. Sensor de Temperatura
4. Estante del Congelador
5. Salida del Flujo de Aire
6. Entrada del Flujo de Aire
7. Cajón del Congelador
8. Estante de la Puerta
9. Canasta de Alambre de la Puerta

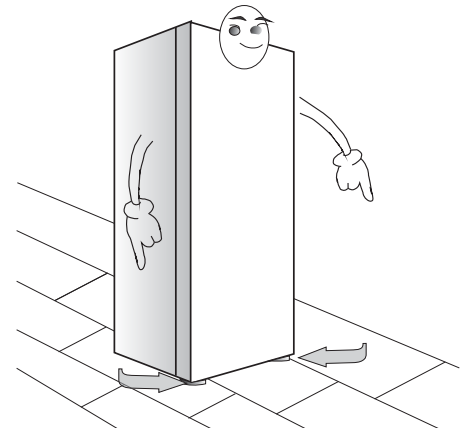




Instrucciones de instalación

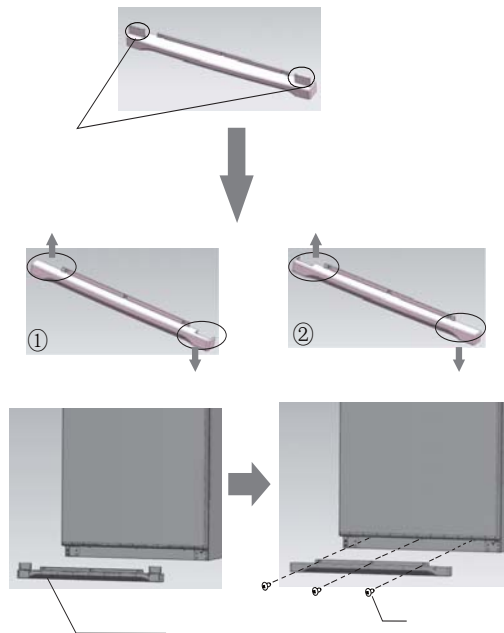
PATAS NIVELADORA

Si la unidad no está nivelada, las puertas y el sello no podrían funcionar correctamente, provocando que la unidad funcione de manera ineficiente. Para nivelar la unidad gire la pata niveladora en sentido de las manecillas del reloj (derecha) para aumentar o en sentido contrario a las manecillas del reloj (izquierda) para disminuir.



CUBIERTA DECORATIVA

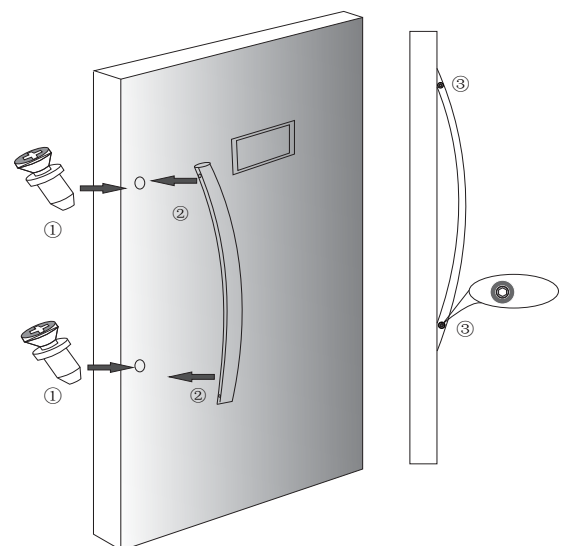
Para instalar la cubierta decorativa, por favor siga los pasos en el siguiente gráfico. La cubierta decorativa es instalada en la parte inferior de la unidad.



INSTALACIÓN DE LA MANIJA

La unidad debe ser desconectada antes de instalar la manija.

1. Tome 2 tornillos e instálelos en la puerta, en los agujeros previamente perforados, asegúrese de girarlos hasta que no se puedan apretar más.
2. Coloque la manija sobre los tornillos.
3. Ponga el otro juego de tornillos en el agujero en el lado de la manija y gire hasta que estén bien apretados.





Instrucciones operadoras

MARCHA DEL CONGELADOR

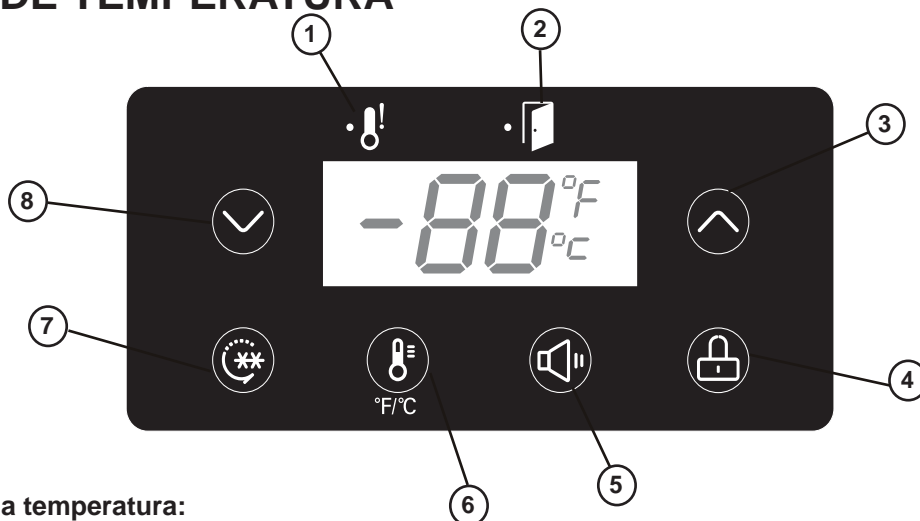
El congelador está listo para funcionar cuando se conecta con una fuente de alimentación de electricidad. Luego de conectarlo a la fuente de alimentación, cierre la puerta y deje funcionando el congelador. La unidad funcionará una a dos horas hasta alcanzar la temperatura de funcionamiento. Luego funcionará y se parará en intervalos bastante regulares. Se recomienda no poner alimentos en el congelador, hasta que la persona que esté convencido, de que el congelador funciona normalmente y no requiere más ajustes (después de funcionar durante 24 horas).

Una vez que su congelador arranca y se detiene (en ciclos) con regularidad, está listo para congelar y almacenar comidas. La temperatura de almacenamiento apropiada es de -18°C (0°F). No utilice el congelador a temperaturas inferiores a -19°C (-3°F) dado no mejora la preservación de la comida y con ello sólo se logra que el tiempo de funcionamiento de la unidad (ciclo) sea mayor. No es recomendable congelar más de 1-1.4 kg / 2-3 libras de alimentos, por litro cuadrado / pie cúbico, en un período de 24 horas. Esto tomará 15 o más horas de funcionamiento para congelar esta cantidad de alimentos.

Cuando agregue paquetes con alimento frescos no congelados, colóquelos contra la pared de la unidad. El sensor del termostato está colocado en la funda de la pared, del lado “con aislación” del congelador. En vista del valor de los alimentos en su congelador, se recomienda examinar el contenido y el funcionamiento del congelador en forma periódica.

Nota: Esta unidad no está diseñada para instalación exterior, incluyendo la instalación en cualquier lugar que no es de temperatura controlada (incluyendo garajes, porticos, cocheras, etc.). Antes de conectar el aparato a la fuente de energía eléctrica, déjelo desconectado en posición vertical aproximadamente 6 horas. Esto reducirá la posibilidad de desperfectos en el sistema de enfriamiento debido a la manipulación durante el transporte.

CONTROL DE TEMPERATURA



Configuración de la temperatura:

- La temperatura del compartimiento del congelador es controlado mediante el ajuste/configuración del panel de control del termostato. Pulse las teclas de flecha (3 y 8) para configurar / ajustar la temperatura. Cuando el icono de la temperatura parpadea, usted puede establecer la temperatura entre -16°C a -24°C (3°F a -11°F), el ajuste de temperatura recomendada es de -18°C (0°F). El ajuste tomará aproximadamente unos 10 segundos para tener efecto. Al pulsar la tecla de bloqueo (4) le permitirá bloquear el panel de control para que la temperatura no pueda ser cambiada sin antes desbloquearlo (función de bloqueo para niños).

Configuración de la Función de Congelación Rápida:

- La función de congelación rápida permite que el compresor funcione continuamente durante 6 ó 48 horas. Pulse el botón de congelación rápida (7) dos veces y manténgalo presionado durante 3 segundos para activar el modo de congelación rápida. Cuando el icono parpadea en la pantalla, pulse las flechas hacia arriba o hacia abajo (3 y 8) para ajustar el tiempo de congelación rápida, o bien 6 horas o 48 horas. Una vez que la configuración se ha seleccionado, usted puede bloquear el panel de control. Para el hogar la “congelación rápida”, que se recomienda es de 6 horas. Para cancelar esta función, pulse la tecla de congelación rápida (7), el icono mostrará la temperatura -24 , pulse el botón de congelación rápida (7) de nuevo para salir, la función de congelación rápida ahora ha sido cancelada. Una vez que la función de congelación rápida termina o es cancelada, la unidad volverá a la última temperatura establecida. Si la unidad no puede volver a la temperatura establecida, ésta volverá a la temperatura predeterminada (-18°C o 0°F).



Instrucciones operadoras

CONTROL DE TEMPERATURA

Cambio entre °C y °F:

- Para cambiar entre °C y °F, pulse la tecla °C/°F (6).

Alarma del Congelador:

- Pulse el botón de alarma (5) para detener el sonido de la alarma. La alarma sonará cuando el congelador ha alcanzado una temperatura cálida.

BLOQUEO Y DESBLOQUEO DE LA PANTALLA

Si no puede ajustar la temperatura del congelador después de enchufar la unidad, primero desbloquee la pantalla presionando y sosteniendo el botón de bloqueo hasta que la unidad suene.

Para bloquear los ajustes de temperatura deseados, mantenga presionado el botón de bloqueo hasta que la unidad suene.

Para desbloquear y ajustar los ajustes de temperatura actuales, mantenga presionado el botón de bloqueo hasta que la unidad suene.

Nota: 10-15 segundos después de cerrar la puerta del congelador, la temperatura ya no se mostrará. La temperatura volverá a aparecer en la pantalla si se abre la puerta o si cambia los ajustes actuales.

ALGUNAS REGLAS IMPORTANTES PARA EL USO CORRECTO DEL CONGELADOR

- Nunca coloque alimentos calientes en el congelador.
- Nunca coloque en la unidad alimentos que se hayan echado a perder.
- No sobrecargue la unidad.
- No abra la puerta a menos que sea necesario.
- Si el congelador no se va a usar por mucho tiempo se sugiere que, después de realizar una limpieza cuidadosa, deje la puerta abierta para permitir que circule el aire dentro de la unidad, a fin de impedir que se produzca condensación, moho y malos olores.



Cuidado y mantenimiento

DESCONGELAR

Este refrigerador incluye un sistema de enfriamiento 'libre de escarcha', lo cual significa que nunca tendrá que descongelar el compartimiento del freezer. La descongelación se lleva a cabo de manera automática por medio de un elemento calentador y un cronómetro de descongelación que viene programado de fábrica. El agua descongelada cae en una bandeja ubicada directamente sobre el compresor y allí se evapora.

LIMPIEZA

Tras la instalación de su nuevo electrodoméstico, se recomienda que se limpie a fondo.

1. Después de retirar la comida y colocarla en algún lugar donde no se descongele, gire el control a "OFF" y desenchufe la unidad.
2. Usando una mezcla de detergente suave y agua tibia, humedezca un paño limpio o una esponja para limpiar el interior de la unidad.
3. No utilice productos de limpieza abrasivos o ásperos. Lave a mano, enjuague y seque todas las superficies a fondo. No use ceras de limpieza, detergentes, lejía (límpido), etc. en la unidad. Nunca use papel toalla, spray de ventana, limpiadores abrasivos o limpiadores inflamables, ya que pueden rayar y dañar la unidad. Limpie con un paño húmedo y seque con un paño suave y limpio.



Cuidado y mantenimiento

VACACIONES

Si se va de vacaciones por unos días, deje la perilla de control en su graduación habitual. Durante ausencias más largas,

1. retire todos los alimentos,
2. desconecte el cordón eléctrico del tomacorriente,
3. descongele y limpie el congelador por completo,
4. deje la puerta abierta para evitar posibles formaciones de líquido condensado, moho y malos olores.

SI DEBE MUDARSE

Retire o fije los elementos sueltos que se encuentren dentro de la unidad. Para evitar que se dañen las patas niveladoras, métalas bien adentro de la base.

CORTES DE CORRIENTE Y FALLAS MECÁNICAS

En el caso de fallas mecánicas o de un corte de corriente en el congelador, sírvase ponerse en contacto con su distribuidor de inmediato, proporcionándole la información completa sobre su congelador, números se encuentran en la placa de serie ubicada en la parte exterior del congelador (en la pared posterior).

FALLAS ELÉCTRICAS

La mayoría de los cortes de energía eléctrica se corrigen en una o dos horas y no afectan la temperatura del congelador. Sin embargo, debe reducir al mínimo la cantidad de veces que abre la puerta mientras no haya suministro eléctrico. Si el corte de suministro eléctrico es prolongado, tome medidas para conservar los alimentos.



Solucion Sugerida

A menudo, los problemas son sencillos y no es necesario hacer una llamada de reparación, use esta guía de resolución de problemas para encontrar una posible solución. Si la unidad sigue funcionando mal, llame a los números gratuitos de un centro Danby de servicio autorizado.

Tel: 1-800-26-Danby® (1-800-263-2629)

PROBLEMA	POSSIBLE CAUSA	SOLUCIÓN SUGERIDA
No funciona	<ul style="list-style-type: none"> No llega alimentación a la unidad Cable de alimentación desenchufado Voltaje incorrecto 	<ul style="list-style-type: none"> Revise la conexión del cable de alimentación al enchufe Enchufe la unidad Use el voltaje correcto
El congelador funciona constantemente	<ul style="list-style-type: none"> Control de temperatura demasiado alto (frío). La puerta no está cerrada. Se colocó comida caliente. Se abrió la puerta demasiadas veces durante mucho tiempo. Muy cerca de una fuente de calor o bajo la luz directa del sol. Función de congelación rápida esta establecida. 	<ul style="list-style-type: none"> Baje el control de temperatura. Cierre bien la puerta. Verifique que los alimentos estén a temperatura ambiente antes de guardarlos. Abra menos veces la puerta. No coloque la unidad cerca de fuentes de calor o bajo la luz directa del sol. Esto es normal
La temperatura interna no es muy fría	<ul style="list-style-type: none"> No llega alimentación a la unidad. Cable de alimentación desenchufado. Control de temperatura muy bajo (calentar). La puerta no está cerrada. Alimentos calientes. Se abrió la puerta demasiadas veces durante mucho tiempo. Obstrucción del flujo de aire. Voltaje incorrecto. Muy cerca de una fuente de calor o bajo la luz directa del sol. 	<ul style="list-style-type: none"> Revise la conexión del cable de alimentación al enchufe. Enchufe la unidad. Verifique el ajuste y aumentelo como sea necesario. Cierre bien la puerta. Verifique que los alimentos estén a temperatura ambiente. Abra menos veces la puerta. Deje lugar para que circule aire alrededor de la unidad. Use el voltaje correcto. No coloque la unidad cerca de fuentes de calor o bajo la luz directa del sol.
La temperatura dentro de la unidad es demasiado fría	<ul style="list-style-type: none"> El control de temperatura está configurado muy frío. 	<ul style="list-style-type: none"> Ajuste la configuración de la temperatura.
Ruidos provenientes de la unidad (« popping », grietas, gorgoteo)	<ul style="list-style-type: none"> Las piezas se están expandiendo y contrayendo. El refrigerante está circulando en el sistema 	<ul style="list-style-type: none"> Esto es normal Esto es normal

Códigos de error:

- **E2:** Falla en el sensor de temperatura del congelador.
- **E5:** Falla en el sensor de descongelación del congelador.
- **E6:** Falla de comunicación.
- **E7:** Falla en el sensor de temperatura ambiente.
- **E9:** Alta temperatura en el congelador

GARANTÍA LIMITADA PARA ELECTRODOMÉSTICO

Este producto de calidad está garantizado contra defectos de fabricación, incluyendo partes y mano de obra, siempre y cuando la unidad se utilice bajo las condiciones normales de funcionamiento para las que fue diseñado.

Esta garantía está solamente disponible para la persona que haya comprado originalmente esta unidad directamente de Danby Products Limited (Canada) o Danby Products Inc. (U.S.A.) (en adelante "Danby") o uno de sus distribuidores autorizados, y no es transferible.

CONDITIONS

Las piezas plásticas, se autorizan por treinta (30) días solamente a partir de la fecha de la compra, sin las extensiones proporcionadas.

Primeros 18 meses Durante los primeros 18 meses, cualquier parte en buen estado de este producto que resulte defectuosa, incluyendo cualquier sistema sellado, será reparado o reemplazado, a opción del fabricante, sin cargo para el comprador ORIGINAL.

Para obtener servicio Danby se reserva el derecho de limitar la cobertura de "Servicio en Domicilio" sujeto a la proximidad de un Taller de Servicio Autorizado. Para todo artefacto que requiera servicio fuera del área limitada de "Servicio en Domicilio", el cliente será responsable por transportar dicho artefacto hasta el Taller de Servicio Autorizado más cercano. Consulte "Límites del servicio técnico a domicilio", a continuación. Comuníquese con el distribuidor donde haya comprado la unidad, o llame al Taller de Servicio Autorizado más cercano, donde debe ser reparada por un técnico calificado. Si esta unidad es reparada en otro lugar que no sea un Taller de Servicio Autorizado, o si la unidad se utiliza para aplicaciones comerciales, Danby no se hará responsable de ninguna forma y la garantía será anulada.

Límites del servicio técnico a domicilio Si el electrodoméstico está instalado en un lugar que se encuentra a 100 kilómetros (62 millas) o más del centro de servicios más cercano, se debe llevar la unidad al Centro de servicios Danby autorizado más cercano, ya que dicho servicio sólo puede realizarlo un técnico calificado y certificado por Danby para prestar servicios de garantía. Los cargos por transporte desde y hacia el lugar en que se efectúe el servicio técnico no están cubiertos por esta garantía y son de responsabilidad del comprador.

Nada dentro de esta garantía implica que Danby será responsable por cualquier daño que hayan sufrido los alimentos u otros contenidos de este aparato, ya sea debido a un defecto del aparato, o su uso, adecuado o inadecuado.

EXCLUSIONES

Salvo lo aquí indicado por Danby, no existen otras garantías, condiciones o representaciones, explícitas o implícitas, concretas o intencionales por parte de Danby o sus distribuidores autorizados y todas las demás garantías, condiciones o representaciones, incluyendo cualquier garantía, condiciones o representaciones bajo cualquier Acta de Venta de Productos o legislación o estatuto similar, quedan de esta forma expresamente excluidas. Salvo lo aquí indicado, Danby no serán responsables por ningún daño a personas o bienes, incluyendo la propia unidad, sin importar su causa, o de ningún daño indirecto causado por el desperfecto de la unidad, y al comprar esta unidad, el comprador acepta por la presente, indemnizar y proteger a Danby contra cualquier reclamo por daños a personas o bienes causados por la unidad.

CONDICIONES GENERALES

No se considerará ninguna de estas garantías o seguros cuando el daño o la necesidad de reparación sea el producto de los siguientes casos:

- 1) Falla del suministro eléctrico.
- 2) Daños en tránsito o durante el transporte de la unidad.
- 3) Alimentación incorrecta, como bajo voltaje, instalación eléctrica defectuosa o fusibles inadecuados.
- 4) Accidente, modificación, abuso o uso incorrecto del artefacto, tal como insuficiente ventilación del ambiente o condiciones de operación anormales (temperatura ambiente extremadamente alta o baja).
- 5) Utilización comercial o industrial (v.g., si el electrodoméstico no está instalado en una vivienda particular).
- 6) Incendio, daños por agua, robo, guerra, disturbios, hostilidades, actos de fuerza mayor como huracanes, inundaciones, etc.
- 7) Pedidos de servicio debido a desinformación del usuario.
- 8) Instalación inadecuada (v.g., instalación empotrada de un electrodoméstico diseñado como unidad independiente o uso de un electrodoméstico al aire libre que no esté aprobado para dicho fin).

Para acceder a la garantía se solicitará un comprobante de compra; por lo tanto, guarde su recibo. En caso de necesitar servicio de garantía, presente ese documento al TALLER DE SERVICIO AUTORIZADO.

Servicio de Garantía
Servicio en Domicilio

Danby Products Limited
PO Box 1778, Guelph, Ontario, Canada N1H 6Z9
Telephone: (519) 837-0920 FAX: (519) 837-0449

1-800-263-2629
07/13

Danby Products Inc.
PO Box 669, Findlay, Ohio, U.S.A. 45840
Telephone: (419) 425-8627 FAX: (419) 425-8629

MODEL • MODÈLE • MODELO
DUF138E1WDD

UPRIGHT FREEZER

All repair parts are available for purchase or special order when you visit your nearest service depot. To request service and/or the location of the service depot nearest you, call the TOLL FREE number.

When requesting service or ordering parts, always provide the following information:

- Product Type
- Model Number
- Part Number
- Part Description

CONGELADOR VERTICAL

Todas las piezas de reparación disponibles para la compra o la orden especial cuando usted visita su depósito más cercano del servicio. Para pedir servicio y/o la localización del depósito del servicio lo más cerca posible usted, llama Danby gratis.

Al pedir servicio o pidiendo piezas, proporcione siempre la información siguiente:

- Tipo de producto
- Número de modelo
- Número de pieza
- Descripción de la parte

CONGÉLATEUR VERTICAL

Toutes les pièces de rechange ou commandes spéciales sont disponibles à votre centre de service régional autorisé. Pour obtenir le service et/ou la localité de votre centre de service régional, signalez le NUMÉRO D'APPEL SANS FRAIS.

Ayez les renseignements suivants à la portée de la main lors de la commande de pièce ou service:

- Type de produit
- Numéro de modèle
- Numéro de pièce
- Description de la pièce



1-800-26-**Danby**
(1-800-263-2629)