



Dual Fuel Range

Use and Care Guide



CLEANING, MAINTENANCE,
AND MORE



Contents

- 3** Safety Precautions
- 6** Dual Fuel Range Features
- 7** Oven Operation
- 18** Wolf Cooking Guide
- 21** Surface Operation
- 24** Care Recommendations
- 25** Troubleshooting
- 27** Wolf Warranty

Customer Care

The model and serial number are printed on the enclosed product registration card. Both numbers are also listed on the product rating plate. Refer to page 6 for rating plate location. For warranty purposes, you will also need the date of installation and name of your authorized Wolf dealer. Record this information below for future reference.

SERVICE INFORMATION

Model Number

Serial Number

Date of Installation

Certified Service Name

Certified Service Number

Authorized Dealer

Dealer Number

If your product ever needs attention, be sure to use a Wolf Factory Certified Service provider recommended by our Customer Care Center, or select one from our list of providers available at wolfappliance.com/locator. All Factory Certified Service providers are carefully selected and thoroughly trained by us.

Important Note

To ensure this product is installed and operated as safely and efficiently as possible, take note of the following types of highlighted information throughout this guide:

IMPORTANT NOTE highlights information that is especially important.

⚠ CAUTION

Indicates a situation where minor injury or product damage may occur if instructions are not followed.

⚠ WARNING

States a hazard that may cause serious injury or death if precautions are not followed.

IMPORTANT NOTE: Throughout this guide, dimensions in parentheses are millimeters unless otherwise specified.

IMPORTANT INSTRUCTIONS

⚠ WARNING

If the information in this guide is not followed exactly, a fire or explosion may result, causing property damage, personal injury, or death.

Do not store or use gasoline or other flammable vapors and liquids in the vicinity of this or any other appliance.

WHAT TO DO IF YOU SMELL GAS:

- Do not try to light any appliance.
- Do not touch any electrical switch.
- Do not use any phone in your building.
- Immediately call your gas supplier from a neighbor's phone. Follow the gas supplier's instructions. If you cannot reach your gas supplier, call the fire department.

This appliance must be properly installed and serviced by a qualified installer, service agency, or gas supplier and grounded by a qualified technician.

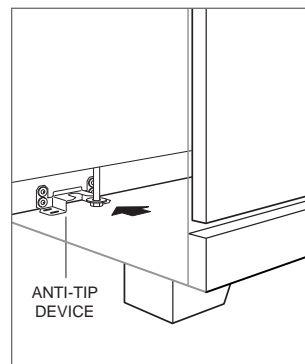
⚠ WARNING

A child or adult can tip this appliance and be killed.

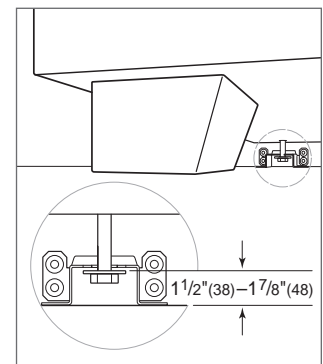
Verify the anti-tip device has been properly installed and engaged. Ensure the anti-tip device is re-engaged when this appliance is moved. Refer to the illustrations below for how to verify correct installation.

Do not operate this appliance without the anti-tip device in place and engaged. Failure to do so can result in death or serious burns to children or adults.

To reduce the risk of burns, do not move this appliance while hot.



Anti-tip device location



Anti-tip device engaged

IMPORTANT INSTRUCTIONS

GENERAL SAFETY PRECAUTIONS

- Read this guide carefully before using this appliance to reduce risk of fire, electric shock, or injury.
- Before performing service, shut off the gas supply by closing the gas shut-off valve and shut off electricity to this appliance.
- Keep the appliance area clear and free from combustible material.
- For safety when cooking, set burner controls so the flame does not extend beyond the bottom of pan.
- Exercise caution when opening the oven door. Let hot air or steam escape before looking or reaching into oven.
- Do not install a ventilation system that blows air downward toward this gas cooking appliance. This type of ventilation system may cause ignition and combustion problems with this gas cooking appliance resulting in personal injury or unintended operation.
- Do not use aluminum foil to line any part of this appliance.
- Never use this appliance to warm or heat the room. Doing so may result in carbon monoxide poisoning.
- Be sure the oven cool air intake (above the door) and oven exhaust vent (below the door) are unobstructed at all times.
- Do not touch, or let clothing or other combustible materials touch, the rangetop and the surrounding area until they have had sufficient time to cool. These areas may become hot enough to cause burns.
- Wear proper apparel. Loose-fitting or hanging garments should never be worn using this appliance.
- Use extreme caution when moving a grease kettle or disposing of hot grease.
- Always use dry pot holders when removing pans from this appliance. Wet or damp pot holders can cause steam burns. Do not use a towel or bulky cloth in place of pot holders.
- Position oven racks in the desired locations when the oven is cool. If a rack must be repositioned after the oven is already hot, be sure the pot holder does not contact a hot heating element in the oven.
- Clean only those parts listed in this guide.
- Do not use oven cleaners. No commercial oven cleaner or oven liner protective coating of any kind should be used in or around any part of the oven.
- Before using self-clean, remove the oven racks, oven rack guides, and any other cookware or utensils.
- Do not repair or replace any part of this appliance unless specifically recommended in literature accompanying this appliance.
- Do not obstruct the flow of air to ensure proper combustion and ventilation.
- When using this appliance, do not touch grates, burner caps, burner bases or any other parts in proximity to the flame. These components may be hot enough to cause burns.

IMPORTANT INSTRUCTIONS

GENERAL SAFETY PRECAUTIONS

- Do not clean the oven gasket; rubbing or moving the gasket may compromise the door seal.
- Do not use water on grease fires. Smother the flame or use a dry chemical or foam-type extinguisher.
- Do not touch heating elements or interior surfaces of the oven. Heating elements may be hot even though they are dark in color. Interior surfaces become hot enough to cause burns. During and after use, do not touch or let clothing or other flammable materials contact heating elements or interior surfaces of the oven until they have had sufficient time to cool.
- Never leave this appliance unattended when in use. Boilovers and greasy spills may smoke or ignite.
- Do not leave children alone or unattended in the area where this appliance is in use. Never allow children to sit or stand on the appliance.
- Do not store items of interest to children above or at the back of this appliance, as they could climb on the appliance to reach items and be injured.
- Do not heat unopened food containers, such as baby food jars and cans. Pressure build-up may cause the container to burst and cause injury.
- Do not store flammable materials in an oven, near burners, or let grease or other flammable substances accumulate on this appliance.

⚠ WARNING

PROPOSITION 65 FOR CALIFORNIA RESIDENTS

Cancer and Reproductive Harm—
www.P65Warnings.ca.gov


COMMONWEALTH OF MASSACHUSETTS

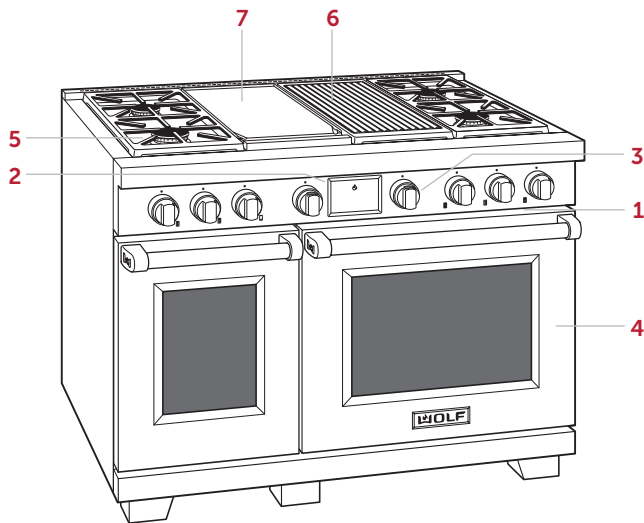
- Installations and repairs must be performed by a qualified or licensed contractor, plumber, or gas fitter, qualified or licensed by the state, province, or region where this appliance is being installed.
- Use only gas shut-off valves approved for use within the state, province, or region where this appliance is being installed.
- A flexible gas connector, when used, must not exceed 3' (.9 m).

Dual Fuel Range Features

Dual Fuel Range Features

FEATURES

- | | |
|---|---|
| 1 | Product Rating Plate |
| 2 | Control Panel (press  to access) |
| 3 | Oven Control Bezel and Knob |
| 4 | Convection Oven |
| 5 | Surface Burner |
| 6 | Optional Charbroiler |
| 7 | Optional Griddle |
| 8 | Optional French Top (not shown) |



48" Dual Fuel Range shown

Getting Started

We know you are eager to start cooking, but before you do, please take some time to read this use and care guide. Whether you are an occasional cook or an expert chef, it will be to your benefit to familiarize yourself with the safety practices, features, operation, and care recommendations of your Wolf Dual Fuel Range.

- To ensure all residual oil from the manufacturing process has been removed, clean the range thoroughly with hot water and mild detergent prior to use. Rinse and dry with a soft cloth. Refer to Care Recommendations on page 24.
- Verify the surface burner components are assembled correctly.
- The optional charbroiler, griddle, and French top require special attention. Refer to pages 22–23.
- To ensure the best results, review the cooking modes and special features on page 13.

⚠ CAUTION

Do not place cookware on the oven floor or use aluminum foil or other material to line the oven floor or side walls. Failure to adhere to this notice will damage the porcelain interior and will void your warranty.

Oven Racks

OVEN RACK POSITION

The oven racks can be placed in any of the six positions labeled on the front face of the oven. Refer to the illustration below.

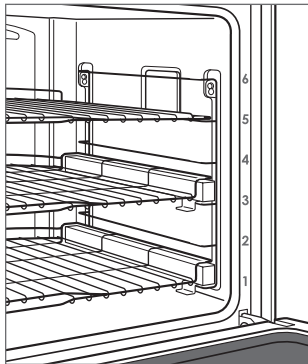
OVEN RACK GUIDES

To insert the rack guides in the oven, locate the mounting screws on the oven side walls. Place the rack guide mounting tabs over the top screws, pivot inward and slide down until fully seated. Refer to the illustration below.

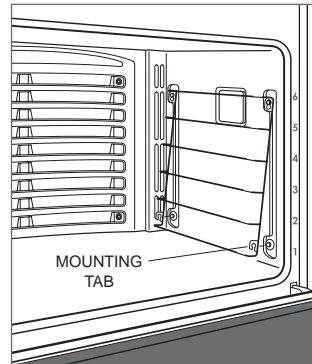
OVEN RACKS

To insert a standard rack in the oven, place the rack anti-tip lock under the side rack guide rails. Slide the rack back and lift up to clear the rack stops. Continue to slide the rack back until completely inside the oven. Refer to the illustration below.

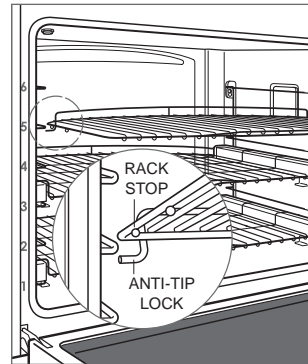
To insert a full-extension rack, place the two rear tabs onto the rack guide (one tab above and one below). Refer to the illustration below. Angle the rack slightly and slide back until the front rack notch engages the front rack guide.



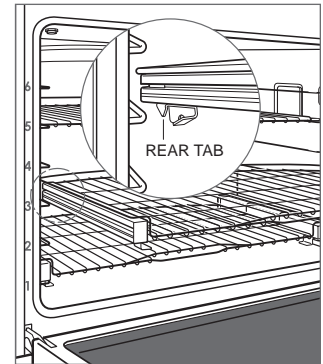
Oven rack position



Oven rack guide



Oven rack anti-tip lock



Full-extension rack

Oven Operation

Oven Operation

Wolf Dual Fuel Ranges use a combination of an interactive touch screen control panel, cooking mode selector bezel, and oven temperature control knob to select desired cooking modes, oven temperature, and exclusive features. The control panel must be open to access Gourmet mode and exclusive features. Refer to the illustration below.

The oven has ten cooking modes—Bake, Roast, Broil, Convection Roast, Convection, Gourmet, Proof, Stone, Dehydrate, and Warm. Stone and Dehydrate require accessories.

To start cooking:

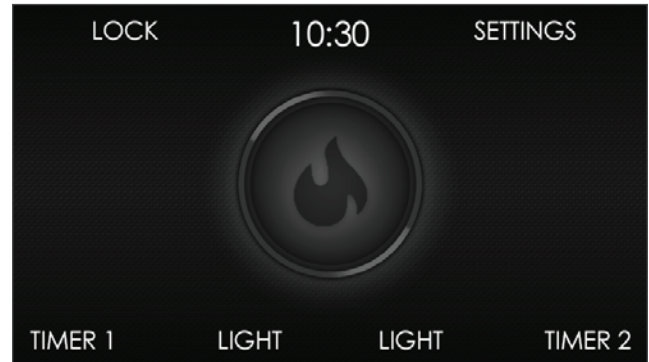
- 1 Rotate the selector bezel to the desired cooking mode. --- appears on the oven knob display.
- 2 Turn the control knob to increase or decrease the temperature or touch Start on the control panel. Either action completes the second step of the process and preheat begins.

For Bake, Roast, Broil, Convection Roast, Convection, Gourmet, and Stone modes, a slight rotation of the control knob adjusts the temperature by 5°F (1°C). A full rotation adjusts the temperature by 25°F (5°C). For Proof, Dehydrate, and Warm modes, a slight rotation of the control knob adjusts the temperature by 1°. A full rotation adjusts the temperature by 5°.



Oven control panel and knob

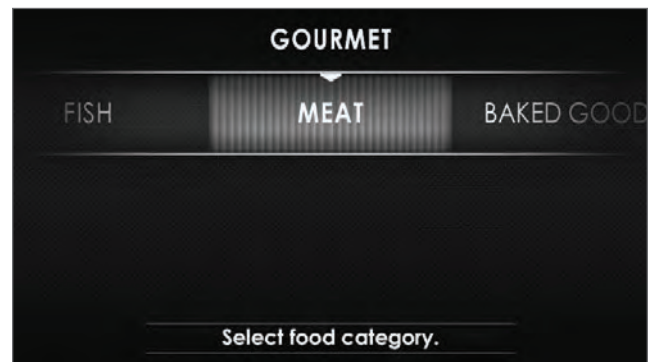
The interactive control panel uses touch technology to select cooking modes and other functions. Refer to the illustrations below.



Home screen (double oven shown)



More screen (double oven shown)




Gourmet screen



Oven Operation

PRIOR TO USE

To ensure all residual oil from the manufacturing process has been removed, each oven must go through the following procedure:

- 1 Clean the oven thoroughly with hot water and a mild detergent. Rinse and dry with a soft cloth.
- 2 Turn on ventilation. Some smoke and odor is normal.
- 3 Rotate the selector bezel to  Roast and adjust the temperature to 500°F (260°C) for one hour.
- 4 Rotate the bezel to Off and allow the oven to cool with the door closed.

CONTROL LOCK

The lock feature prevents unwanted control panel operation. The lock feature must be reset after a power outage.

To lock or unlock:

- 1 Touch and hold Lock for 3 seconds.

OVEN LIGHT

The oven light turns on automatically when the door is open and off when closed. To turn the light on while the door is closed, touch Light on the control panel.

PREHEAT

During preheat, the oven is heated as quickly and evenly as possible and is not ideal for cooking. Preheat should be used for all cooking modes except Broil, Proof, Dehydrate, Warm, and some modes in Gourmet. Once preheat is complete, a chime indicates the oven has reached set temperature.

Oven Operation

CLOCK

The clock is visible on the control panel during all cooking modes. It is very important the clock be set to the correct time if a timed cook feature is used. The clock must be reset after a power outage.

The clock sets automatically if the unit is connected to Wi-Fi. Refer to Connect This Appliance on page 11.

Setting clock:


- 1 Touch Settings, then select Time.
- 2 Touch 12 Hour or 24 Hour mode.
- 3 Use the slide bar to set the time of day, select AM or PM, then touch Set. A chime indicates the clock is set.

Time can also be adjusted by touching the time display on the home screen.

TIMER

Each timer can be set for a maximum of 11 hours and 59 minutes. Once a time is set, the countdown appears on the touchscreen. The timer is independent from the oven. Setting the timer does not impact cook time or stop time.

Setting timer:

- 1 Touch Timer 1 or Timer 2.
- 2 Use the slide bars to set the duration, then touch Set. A chime indicates the timer is set.
- 3 To edit the timer, touch the countdown time on the touchscreen, then use the slide bars to set the duration.
- 4 To cancel the timer, touch the countdown time on the touchscreen, then touch .
- 5 The timer chimes with one minute remaining. The timer chimes and flashes when complete.
- 6 Touch the flashing time to clear.

Extended Options

Touch Settings to access extended options. Use the slide bar to scroll to the desired option and touch the option to select. If more information is needed, touch Info.

OPTIONS

Time	Select 12 hour or 24 hour.
Sabbath	Turn Sabbath on or off.
Clock	Select digital, analog, blank, or logo.
Connect	Turn connect on or off.*
Standby	Turn standby power on or off.
Language	Select: English, Spanish, French, Italian, German, Dutch, or Chinese.
Units	°F/Imperial or °C/Metric.
Showroom	For showroom use only.
Info	Access helpful tips and product information.
About	For service only.
Temp Offset	For service only.
Calibration	Adjust touchscreen calibration.
Sound	Mute, 1-5 and high, medium, low.
Brightness	Adjust touchscreen brightness: 0-100%.

**To connect to the Sub-Zero Group Owner's App, connect must be turned on.*

Connect This Appliance

Connect this appliance to remotely monitor and control it. Connecting requires a wireless router, an Internet connection with a network name and password, and a compatible mobile device. There is no limit to the number of appliances you can connect to an account. Connect products from multiple homes to the same account. Connecting appliances is optional.

- 1 Download the free Sub-Zero Group Owner's App from the Apple App Store or Google Play.
- 2 With Bluetooth enabled on the device, stand within a few feet of the appliance, open the app, and follow the on-screen instructions.
- 3 Log in or create an account.
- 4 Tap Add An Appliance or tap + in upper right of the screen to add appliances. To identify which appliance to pair, open the appliance door.
- 5 Tap + next to the appliance to select it. If identical appliances appear, an additional step identifies which appliance to pair.
- 6 Tap Pair Via Bluetooth. Wait for setup to complete, then tap Set Up Your Appliance For Pairing.
- 7 Tap Choose a Network on the Connect Your Appliance to Wi-Fi screen.
- 8 Select the home Wi-Fi network and enter the network password.
- 9 Tap Turn on Notifications to allow notifications about the appliance (for example, door left ajar).
- 10 Tap Done on the Success screen to complete the setup.



Cooking Modes

GOURMET

Gourmet provides a variety of quick and convenient meal preparations. Choose from six categories—Meat, Fish, Baked Goods, Pizza, Vegetables, and One Dish Meals.

After a selection is made, Gourmet recommends the proper rack position, sets the cooking mode, and automatically adjusts the temperature—sometimes using multiple modes and temperatures. Refer to the instructions on the control panel to determine whether preheat is required. The oven does not turn off automatically when the cook time is complete.

For more information regarding Gourmet, refer to the techniques and recipes guide included with your appliance or visit subzero-wolf.com/wolf-technique-guides.

Setting controls:

- 1 Rotate the bezel to .
- 2 Use the control panel to select the desired settings.

GOURMET GUIDE

MEAT	Beef	steak, tenderloin, roast, prime rib, meatloaf, slow cook
	Poultry	whole bird, fresh pieces, whole breast
	Pork	ribs, tenderloin, roast, steak, chop, whole ham
	Lamb	leg, roast, rib rack
FISH	Steak	
	Fillet	
	Breaded	
BAKED GOODS	Cookies	
	Cake	sheet, fluted, angel, pound, cupcakes
	Pie	single crust, double crust
	Bread	quick bread, yeast loaf, yeast rolls, biscuits
PIZZA*	Fresh	
	Par-Baked	
	Calzone	
VEGETABLES	Roasted	
	Sweet Potato	
	Baked Potato	
ONE DISH MEALS	Casserole	
	Lasagna	
	Quiche	

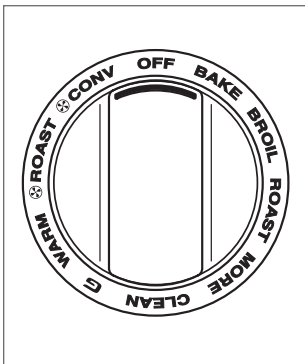
*Not available for 18" (457) oven.

Oven Operation

Cooking Modes

MODE	PRESET	RANGE	PROBE	USES
BAKE	350°F (175°C)	200–550°F (95–290°C)	•	Best for single-rack cooking, primarily baked foods. Use for standard recipes.
ROAST	350°F (175°C)	200–550°F (95–290°C)	•	Best for roasting less tender cuts of meat, such as chuck roasts and stew meat that should be covered.
BROIL	BR3 550°F (290°C)	BR3 550°F (290°C) BR2 450°F (230°C) BR1 350°F (175°C)		Best for broiling meats, fish, and poultry pieces up to 1" thick. Use a two-piece broiler pan and always broil with the oven door closed.
CONVECTION ROAST	325°F (165°C)	200–550°F (95–290°C)	•	Gently browns exterior and seals in juices. Perfect for roasting tender cuts of beef, lamb, pork, and poultry.
CONVECTION	325°F (165°C)	200–550°F (95–290°C)	•	Uniform air movement makes it possible to multi-level rack cook with even browning.
GOURMET	—	—	•	Gourmet provides quick and convenient meal preparations with recommendations for cooking mode and rack position. Refer to page 12. Preset temperature and range are dependent on food and desired doneness.
PROOF	85°F (30°C)	85–110°F (30–45°C)		Ideal for proofing or rising bread dough.
STONE	450°F (230°C)	200–550°F (95–290°C)	•	Baking on a ceramic stone. Great for pizza and bread. Stone accessory required.
DEHYDRATE	135°F (60°C)	110–170°F (45–75°C)		Dry a variety of fruits, vegetables, herbs, and meat strips. Accessory racks required.
WARM	180°F (80°C)	140–200°F (60–95°C)	•	Designed to keep foods at serving temperature.

NOTE: The temperature probe can be used with all cooking modes except Broil, Proof, and Dehydrate.



Oven knob selector bezel

Oven Operation

Temperature Probe

Use only the temperature probe shipped with this appliance. Refer to the illustration below. The temperature probe measures the internal temperature of food while cooking. The probe can be used to monitor the temperature without setting a desired temperature and can be used with all cooking modes except Broil, Proof, and Dehydrate.

Setting controls:

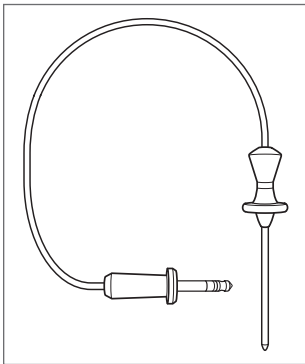
- 1 Preheat the oven to the desired oven temperature in the desired mode.
- 2 Completely insert the probe sensor into the thickest area of the food.
- 3 When preheat is complete, place food in the oven.
- 4 Insert the probe into the probe receptacle. Refer to the illustration below. Close the oven door.
- 5 Touch Probe.
- 6 Touch Set to select the preset temperature. To change the temperature, use the control knob to select the desired temperature, then touch Set.
- 7 A chime indicates the temperature is 5°F (1°C) below the set temperature. The oven chimes and the set temperature flashes when the internal temperature reaches the setpoint.
- 8 Remove, then reinsert the probe to verify the internal temperature.
- 9 Touch the flashing temperature to clear.

⚠ CAUTION

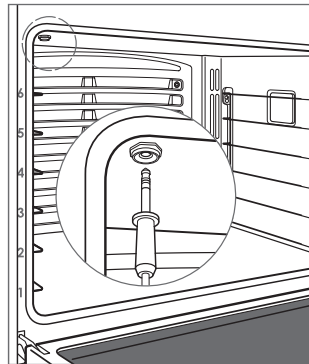
Pull straight down when removing the probe from the receptacle. Bending or pulling the probe at an angle during removal may damage the probe and oven. Do not place a rack or accessory in rack position six when using the probe, as it interferes with probe removal.

⚠ CAUTION

The probe and probe receptacle will be very hot. Handle with care.



Temperature probe




Probe receptacle

Auto Program

TIMED COOK

Timed Cook automatically turns the oven off at a specified time. The oven begins to heat immediately and turns off at the desired stop time. If preheat is required, the preheat time must be accounted for when determining the cooking duration. The clock must be set to the correct time to function properly. Use in any cooking mode except Broil, Gourmet, or Stone. The temperature probe cannot be used during Timed Cook.


Setting controls:

- 1 Rotate the selector bezel to the desired cooking mode and turn the control knob to adjust the temperature.
- 2 Touch Timed Cook, then select the desired cooking duration.
- 3 Touch Set twice to start.
- 4 To cancel, touch the duration/stop time on the touchscreen, then touch .
- 5 The oven turns off automatically when the cook time is complete.
- 6 Rotate the selector bezel to Off to clear.

DELAYED START

Delayed Start automatically turns the oven on and off at specified times. The oven remains idle until the desired start time and turns off at the desired stop time. If preheat is required, the preheat time must be accounted for when determining the cooking duration. The clock must be set to the correct time to function properly. Use in any cooking mode except Broil, Gourmet, or Stone. The temperature probe cannot be used during Delayed Start.

Setting controls:

- 1 Rotate the selector bezel to the desired cooking mode and turn the control knob to adjust the temperature.
- 2 Touch Timed Cook, then select the desired cooking duration.
- 3 Use the slide bar to select the desired stop time, then touch Set.
- 4 To cancel, touch the duration/stop time on the touchscreen, then touch .
- 5 The oven turns off automatically when the cook time is complete.
- 6 Rotate the selector bezel to Off to clear.

Clean

During Clean, the oven is heated to an extremely high temperature to burn off food soil. The oven lights are disabled. Clean lasts approximately four hours.

IMPORTANT NOTE: For double ovens, the other oven cannot be used during Clean.

Setting controls:

- 1 Turn on ventilation. Some smoke and odor is normal.
- 2 Rotate the selector bezel to Clean.
- 3 Touch Start.
- 4 Remove the oven racks and rack guides, then touch Ok.
- 5 The oven door locks and remains locked until cleaning is complete and the oven temperature is below 550°F (290°C).
- 6 Rotate the selector bezel to Off to clear.

Porcelain is made from natural products and, therefore, can chip or develop fine lines and cracks due to the expansion and contraction that occurs as oven temperature fluctuates (particularly when the self-cleaning function is employed). This can result in cosmetic imperfections, such as a cloudy, dull or scratched appearance. Cosmetic imperfections may be more visible in a colored oven cavity.

DELAYED CLEAN

Setting controls:

- 1 Turn on ventilation. Some smoke and odor is normal.
- 2 Rotate the selector bezel to Clean.
- 3 Touch Delayed Clean and use the slide bar to select the desired stop time, then touch Set.
- 4 Remove the oven racks and rack guides, then touch Ok.
- 5 The oven door locks and remains locked until cleaning is complete and the oven temperature is below 550°F (290°C).
- 6 Rotate the selector bezel to Off to clear.

⚠ CAUTION

During Clean, exterior surfaces may get hotter than usual. Children should be kept away.

Oven Operation

Sabbath

This appliance is certified by Star-K to meet strict religious regulations in conjunction with specific instructions found on www.star-k.org.

Bake, Roast, Proof, and Warm modes can be used in Sabbath.

Setting controls:

- 1 Turn the oven light on or off.
- 2 Touch Settings, then select Sabbath.
- 3 Touch On, then touch Set.
- 4 Rotate the selector bezel to the desired cooking mode and turn the control knob to adjust the temperature, then touch Start.
- 5 To change the oven temperature while in Sabbath, turn the control knob. Each turn increases or decreases the temperature by 25°F or 5°C. The temperature changes randomly after the new temperature is selected.
- 6 Rotate the selector bezel to Off to clear.

Oven Light

⚠ WARNING

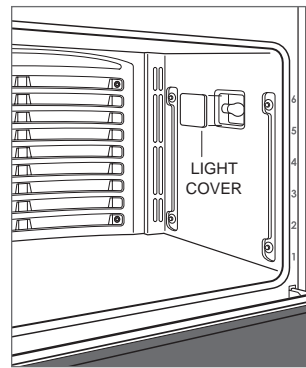
Verify power is disconnected from the electrical box before replacing a light bulb.

Allow the oven to cool completely, then remove the oven racks and rack guides. To remove the light cover, gently pry the bottom edge with a flat screwdriver. Remove the existing bulb and replace with a 40-watt halogen bulb. Refer to the illustration below. Do not touch the new bulb with bare hands. Wear rubber gloves or use a paper towel to hold the bulb during installation.

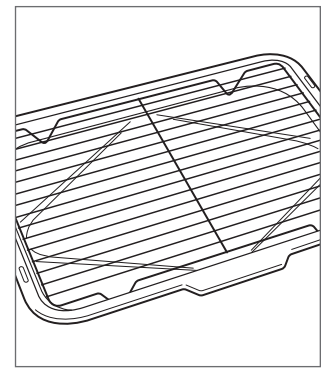
To replace the light bulb located on the top of the oven cavity, contact Wolf Factory Certified Service. For the name of the nearest Wolf Factory Certified Service, check the Product Support section of our website, wolfappliance.com, or call Wolf Customer Care at 800-222-7820.

Broiler Pan

For broiling, use the two-piece broiler pan and rack included with the range. Refer to the illustration below.



Light bulb replacement



Broiler pan and rack

Cooking Guide

Wolf Cooking Guide

FOOD	RACK(S)	MODE	OVEN TEMP	POSITION	TIME	NOTES
BREADS						
Biscuits	1	Roast	400°F (205°C)	3	5–10 min	
	2	Convection	425°F (220°C)	2, 5	5–10 min	
	3	Convection	425°F (220°C)	1, 3, 5	5–10 min	
Cinnamon rolls	1	Bake	350°F (175°C)	3	20–25 min	
	2	Convection	325°F (165°C)	2, 5	20–25 min	
	3	Convection	325°F (165°C)	1, 3, 5	20–25 min	
Garlic bread	1	Broil	Med	5		
Muffins	1	Bake	400°F (205°C)	3	15–20 min	
	2	Convection	375°F (190°C)	2, 5	10–15 min	
	3	Convection	375°F (190°C)	1, 3, 5	10–15 min	
Quick breads	1	Bake	350°F (175°C)	3	40–50 min	
Toast	1	Broil	High	5		
Yeast bread (loaf pan)	1	Bake	350°F (175°C)	3	20–45 min	
Yeast bread (no pan)	1	Stone	450°F (230°C)	1	15–45 min	
Yeast rolls	1	Convection	375°F (190°C)	3	10–20 min	
	2	Convection	375°F (190°C)	2, 5	10–20 min	
	3	Convection	375°F (190°C)	1, 3, 5	10–20 min	
CAKES						
Angel food cake	1	Bake	350°F (175°C)	1	35–45 min	
Bundt or pound cake	1	Bake	350°F (175°C)	3	40–50 min	
Cupcakes	1	Bake	350°F (175°C)	3	20–25 min	
	2	Convection	325°F (165°C)	2, 5	15–25 min	
	3	Convection	325°F (165°C)	1, 3, 5	15–25 min	
Mixes or from scratch	1	Bake	350°F (175°C)	3	20–30 min	
	2	Convection	325°F (165°C)	2, 5	20–30 min	
	3	Convection	325°F (165°C)	1, 3, 5	20–30 min	
COOKIES						
Cookies or bars	1	Bake	350°F (175°C)	3	10–25 min	
	2	Convection	325°F (165°C)	2, 5	10–25 min	
	3	Convection	325°F (165°C)	1, 3, 5	10–25 min	
PIES						
Cream puffs	1	Convection	400°F (205°C)	3	20–30 min	
Double-crust or streusel topped	1	Bake	375°F (190°C)	3	40–45 min	
Lemon meringue	1	Broil	Low	3	10–15 min	
Pie crust (empty)	1	Bake	425°F (220°C)	3	10–15 min	
Puff pastry	1	Bake	400°F (205°C)	3	10–15 min	
	2	Convection	375°F (190°C)	2, 5	10–15 min	
	3	Convection	375°F (190°C)	1, 3, 5	10–15 min	
Pumpkin or custard	1	Bake	425°F (220°C) / 325°F (165°C)	3	see note	Bake for 15 min at 425°F, reduce temp to 325°F, and bake until pie is set, 45–60 min.

Consuming raw or undercooked meats, poultry, seafood, shellfish, or eggs may increase your risk of foodborne illness.



Wolf Cooking Guide

FOOD	MODE	OVEN TEMP	RACK	TIME	PROBE TEMP	NOTES
BEEF						
Chuck roast	Conv Roast	325°F (165°C)	3	20–25 min/lb	Med 150°F (65°C)	Place in dish with liquid ½ the height of the meat.
	Roast	350°F (175°C)	3	20–25 min/lb	Med 150°F (65°C)	
Ground patties	Broil	High	5	10–15 min		Turn over at 7 min.
Prime rib	Roast	450°F (230°C) / 225°F (105°C)	2	see note	Rare 130°F (55°C)	No preheat required. Roast for 30 min at 450°F, reduce temp to 225°F, and cook to desired internal temp.
Roast	Roast	425°F (220°C) / 325°F (165°C)	2	see note	Rare 135°F (60°C)	Roast for 30 min at 425°F, reduce temp to 325°F, and cook to desired internal temp.
Slow roast	Bake	300°F (150°C)	2			Place in covered dish with liquid ¼ the height of the meat.
Steaks (< 1" thick)	Broil	High	5	10–15 min		Turn over at 6 min.
Steaks (> 1" thick)	Broil	High	5	10–20 min		Turn over at 8 min.
Tenderloin	Conv Roast	450°F (230°C)	3	10–20 min/lb	Rare 130°F (55°C)	
POULTRY						
Chicken, bone-in	Conv Roast	325°F (165°C)	5	20–25 min	Thigh 180°F (80°C)	
Chicken boneless breast (flattened to ½" thick)	Broil	Med	5	10–15 min		Turn over halfway through broiling.
	Conv Roast	350°F (175°C)	3	15–20 min	Breast 165°F (75°C)	
Chicken quarters, thighs	Broil	Med	5	20–25 min		Turn over halfway through broiling.
	Roast	350°F (175°C)	3	30–40 min	Thigh 180°F (80°C)	
	Conv Roast	325°F (165°C)	3	30–40 min	Thigh 180°F (80°C)	
	Bake	350°F (175°C)	3	30–40 min	Thigh 180°F (80°C)	
Chicken, whole	Conv Roast	325°F (165°C)	2	10–20 min/lb	Thigh 180°F (80°C)	
Cornish hen	Conv Roast	325°F (165°C)	3	1 hour	Thigh 180°F (80°C)	
	Roast	350°F (175°C)	3	1 hour	Thigh 180°F (80°C)	
Duck	Conv Roast	325°F (165°C)	2	15–20 min/lb	Thigh 180°F (80°C)	
Goose	Conv Roast	325°F (165°C)	2	15–20 min/lb	Thigh 180°F (80°C)	
Turkey breast, whole	Conv Roast	325°F (165°C)	2	15–20 min/lb	Breast 165°F (75°C)	
	Roast	350°F (175°C)	2	15–20 min/lb	Breast 165°F (75°C)	
Turkey pieces	Conv Roast	325°F (165°C)	3	30–40 min	Thigh 180°F (80°C)	
	Roast	350°F (175°C)	3	30–40 min	Thigh 180°F (80°C)	
Turkey, whole (brined)	Bake	350°F (175°C)	1	10–15 min/lb	Thigh 180°F (80°C)	
Turkey, whole	Conv Roast	325°F (165°C)	1	10–15 min/lb	Thigh 180°F (80°C)	
	Roast	325°F (165°C)	1	10–15 min/lb	Thigh 180°F (80°C)	

Consuming raw or undercooked meats, poultry, seafood, shellfish, or eggs may increase your risk of foodborne illness.



Wolf Cooking Guide

FOOD	MODE	OVEN TEMP	RACK	TIME	PROBE TEMP	NOTES
PORK						
Chops, steaks (½" thick)	Broil	High	5	5–10 min		Turn over halfway through broiling.
	Conv Roast	350°F (175°C)	3	10–15 min		
Ham steak (< 1" thick)	Broil	High	5	5–10 min		Turn over halfway through broiling.
Ham steak (> 1" thick)	Broil	High	5	10–15 min		Turn over halfway through broiling.
Ham, whole	Bake	335°F (170°C)	2	10–15 min/lb	160°F (70°C)	Cover and rest 15 min.
Ribs	Bake	300°F (150°C)	3			Place in foil packets or covered dish with liquid ¼ the height of the meat.
Slow roast	Bake	300°F (150°C)	2			Place in covered dish with liquid ¼ the height of the meat.
Tenderloin	Conv Roast	400°F (205°C)	3	15–20 min/lb	Rare 130°F (55°C)	
LAMB						
Chops, steaks (¾" thick)	Broil	High	5	5–10 min		Turn over halfway through broiling.
Crown rack	Conv Roast	325°F (165°C)	2	15–20 min/lb	145°F (65°C)	
Leg	Conv Roast	425°F (220°C) / 325°F (165°C)	2	see note	145°F (65°C)	Roast for 30 min at 425°F, reduce temp to 325°F, and cook to desired internal temp.
Veal roast	Conv Roast	300°F (150°C)	2	30–35 min/lb	140°F (60°C)	
FISH						
Fillet (< 1" thick)	Broil	Med	5	10–20 min		
Fillet (> 1" thick)	Conv Roast	375°F (190°C)	5	15–25 min		
PIZZA						
Calzones	Stone	375°F (190°C)	1	10–15 min		
French bread pizza	Broil	Med	5	10–15 min		
Homemade pizza	Stone	450°F (230°C)	1	5–15 min		
VEGETABLES						
Mixed vegetables	Conv Roast	400°F (205°C)	4	10–20 min		
Potatoes, sweet potatoes	Bake	350°F (175°C)	3	45–60 min		
OTHER						
Meatloaf	Roast	425°F (220°C) / 325°F (165°C)	2	see note	165°F (75°C)	Roast for 20 min at 425°F, reduce temp to 325°F, and cook to desired internal temp.
Nachos	Broil	Low	3	15–20 min		
One dish meals	Bake	350°F (175°C)	3	45–60 min	175°F (80°C)	
Quiche	Bake	350°F (175°C)	3	40–50 min		
Sausage, bratwurst (fresh)	Broil	Med	5	10–15 min		Turn over halfway through broiling.

Consuming raw or undercooked meats, poultry, seafood, shellfish, or eggs may increase your risk of foodborne illness.

Surface Burners

⚠ CAUTION

Remove all stainless steel covers and cutting boards prior to use.

⚠ CAUTION

Using large diameter cooking vessels can cause adjacent surfaces, including stainless steel covers, to become very hot.

To light a burner, push and turn the corresponding control knob counterclockwise to Hi. The igniter clicks until the burner lights. Once lit, continue to turn the knob counterclockwise to the desired setting. The light halo around the bezel illuminates and stays illuminated until the burner is turned off.

To select a simmer setting, turn the control knob to the detent at the lowest setting. Push and continue to turn counterclockwise. The flame transitions to the second tier on the burner. Continue to turn the knob to the desired simmer setting.

During a power outage, surface burners can be lit manually. Turn the knob to Hi and light using a multi-purpose lighter.





SURFACE BURNER RATING

The front left burner is 20,000 Btu. Any additional front burners to the right are 18,000 Btu. The rear left burner is 9,200 Btu. Any additional rear burners to the right are 15,000 Btu.

⚠ CAUTION

Never leave pans on a high setting unattended. Be careful when cooking food in fat or grease; it can become hot enough to ignite.

CONTROL KNOBS

ICON	CONTROL KNOB	SETTINGS
	Surface Burner	Hi-Lo / Sim Hi-Lo
	Charbroiler	Hi-Lo
	Griddle	100°F-450°F
	French Top	Hi-Lo

Charbroiler

⚠ CAUTION

Remove all stainless steel covers and cutting boards prior to use.

The charbroiler has an infrared burner that transfers intense heat to food, searing the outside. Cook food directly on the charbroiler grate. Do not use cookware.

CHARBROILER OPERATION

- 1 Turn on ventilation.
- 2 Push and turn the control knob counterclockwise to Hi. The igniter clicks until the burner lights.
- 3 The light halo around the bezel illuminates and stays illuminated until the burner is turned off. Turn the knob to the desired setting.
- 4 Allow the charbroiler to preheat for 10 minutes.

Griddle

⚠ CAUTION

Remove all stainless steel covers and cutting boards prior to use.

The infrared griddle is thermostatically controlled to maintain a consistent temperature.

To prevent food from sticking, it is necessary to “season” the griddle prior to use.

Season the griddle:

- 1 Turn on ventilation.
- 2 Clean thoroughly with hot water and a mild detergent. Rinse and dry with a soft cloth.
- 3 Push and turn the control knob counterclockwise to 350°F (175°C) and heat for 30 minutes. After 30 minutes, turn the knob to Off and allow the surface to cool.
- 4 While the surface is slightly warm, pour a small amount of peanut or vegetable oil on a paper towel and spread evenly.
- 5 Push and turn the control knob to 350°F (175°C). Heat until the griddle begins to smoke, then turn the knob to Off and allow the surface to cool. Once cool, wipe off any excess oil.

GRIDDLE OPERATION

- 1 Turn on ventilation.
- 2 Push and turn the control knob counterclockwise to the desired temperature. The igniter clicks until the burner lights. The double griddle has separate controls for each side.
- 3 The light halo around the bezel illuminates until the griddle reaches the set temperature. The light cycles on and off as more heat is required to maintain the set temperature.

French Top

⚠ CAUTION

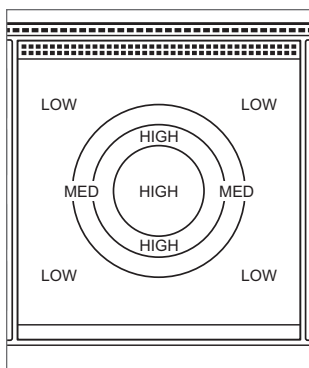
Remove all stainless steel covers and cutting boards prior to use.

The French top is a graduated cooking surface with the highest temperature under the center plate. Always use cookware. Do not cook food directly on the surface. For higher cooking heat, place cookware closer to the center and for lower heat, closer to the edges. Refer to the illustration below.

To protect the surface from food splatters and moisture, it is necessary to “season” the French top prior to use.

Season the French top:

- 1 Turn on ventilation.
- 2 Clean thoroughly with hot water and mild detergent. Rinse and dry with a soft cloth.
- 3 Push and turn the control knob counterclockwise to Hi and heat for 30 minutes. After 30 minutes, turn the knob to Off and allow the surface to cool.
- 4 While the surface is slightly warm, pour a small amount of peanut or vegetable oil on a paper towel and spread evenly. Once cool, wipe off any excess oil.



French top heating zones

FRENCH TOP OPERATION

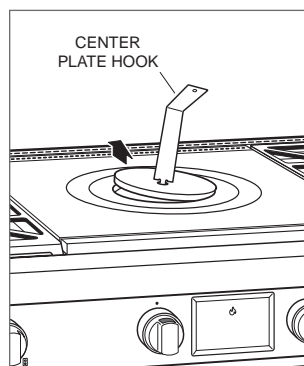
- 1 Turn on ventilation.
- 2 Push and turn the control knob counterclockwise to Hi. The igniter clicks until the burner lights.
- 3 The light halo around the bezel illuminates and stays illuminated until the French top is turned off.
- 4 Allow the French top to preheat for 30 minutes.

⚠ CAUTION

Never leave pans on a high heat zone unattended. Be careful when cooking food in fat or grease; it can become hot enough to ignite.

CENTER PLATE

The French top burner is located below the center plate. To remove, use the center plate hook provided with the range as shown in the illustration below. Never remove the center plate while cooking.



Center plate removal

Care Recommendations

CLEANING

Stainless steel	Use a nonabrasive stainless steel cleaner and apply with a soft lint-free cloth. To bring out the natural luster, lightly wipe the surface with a water-dampened microfiber cloth followed by a dry polishing chamois. Always follow the grain of the stainless steel.
Powder coating	Using a damp cloth, wipe with a mild detergent; rinse and dry.
Oven racks and rack guides	Remove and place on a flat surface near the sink. Clean with hot water and mild detergent or a paste of baking soda and water. Do not immerse in water. Towel dry.
Burner grates	Remove and place on a flat surface near the sink. Clean with hot water and mild detergent or a paste of baking soda and water. Towel dry.
Burner pan	Remove surface debris before cleaning to help speed up the cleaning process and decrease the chance of scratching the surface during cleaning. Using mild abrasive cleaners or spray degreasers, clean and rinse the surface, and dry immediately to avoid streaking. To clean hard water stains, use white vinegar and water. Rinse and dry immediately.
Surface burners	Allow to cool. Use a mild detergent or spray degreaser to clean. Rinse with water and towel dry.
Charbroiler	After cooking is complete, allow the charbroiler to remain on for 10 minutes. High heat helps burn off excess food particles. When cool, remove the grate and place in the sink. Cover with wet dish towels and pour hot water over it to help loosen residue. Clean with soap and a scouring pad. Rinse and dry.
Griddle	Scrape grease into the grease collection tray after each use. When the surface has cooled, wipe with a paper towel to remove excess grease or oil. After each use, reapply a small amount of peanut or vegetable oil on a paper towel and spread evenly. Occasionally, remove the seasoning. Pour ½ cup (120 ml) warm water and 1 teaspoon (5 ml) griddle cleaner onto the griddle and scrape residue into the grease collection tray, then empty. When dry, reapply a small amount of oil for seasoning.
French top	Clean the entire surface after each use while slightly warm. Wipe with mild detergent and water. Rinse and dry. After each use, reapply a small amount of peanut or vegetable oil on a paper towel and spread evenly. Occasionally, remove the seasoning. Apply a small amount of white vinegar and water to the surface while slightly warm. Scrub and repeat until the excess oil has been removed. Reapply a small amount of oil for seasoning.
Control knobs	Using a damp cloth, wipe with a mild detergent or spray degreaser; rinse and dry. Do not place in the dishwasher.
Control panel	Touch and hold Lock for 3 seconds to lock the control panel. Use a spray degreaser to remove fingerprints and food soil. Spray on a cloth before wiping the panel. IMPORTANT NOTE: Do not spray cleaners directly on the control panel.
Oven interior	IMPORTANT NOTE: Remove all food spills (especially sugary, acidic, and tomato-based sauces) when the oven interior is safe to touch. Some blemishes are permanent, but do not affect the function of the porcelain. Before using the Clean feature, use a razor blade to gently lift baked on foods from the oven cavity and window. For stubborn stains, spray with a mild abrasive cleaner or spray degreaser and scrub with a no-scratch Scotch-Brite™ pad (pink or blue). Wash the entire oven cavity with soap and water to remove cleaning chemicals before entering Clean mode. If residue is not cleaned from the cavity, etching of the porcelain may occur. Once the Clean cycle is complete, allow the oven to cool completely and wipe out ash with a damp cloth.
Broiler pan	To clean the rack, use a mild detergent and scouring pad. Rinse and dry. To clean the pan, discard grease and wash with hot water and mild detergent. Rinse and dry.



Troubleshooting

OPERATION

Range does not operate.

- Verify power is on.
- Verify electrical power to the range and home circuit breaker is on.
- The oven automatically turns off after 12 hours of continual use, except in Dehydration or Sabbath mode.

Clock turns off.

- The unit is in standby power mode. Refer to page 11 to turn standby power off.

OVEN

Oven temperature issue.

- Contact Wolf Customer Care at 800-222-7820.

No oven control knob display.

- Remove and reinstall the knob. Turn the circuit breaker off for 20 seconds, then turn it back on.

No response from control panel.

- Turn the circuit breaker off for 20 seconds, then turn it back on.

"SAb" displayed on the oven control knob.

- Unit is in Sabbath mode (⚡ is displayed on the control panel), refer to page 17.

Error displayed on the control panel.

- Contact Wolf Factory Certified Service.

Oven "pops" or "bangs" during preheat or cool down.

- Normal with new oven cavity expansion and contraction.
- Run a Clean cycle. If it persists, contact Wolf Customer Care at 800-222-7820.

Oven door is locked.

- The oven door locks and remains locked until the Clean cycle has ended and the oven temperature is below 550°F (290°C).

RANGE SURFACE

Erratic flame, poor ignition, or no ignition.

- Verify the burner caps are positioned properly.
- Clean the burner and igniter properly.
- If water spilled over recently, let the area dry completely. Use a hair dryer, if desired.
- Push in the knob, then release. Verify the knob springs back.

Troubleshooting

SERVICE

- Maintain the quality built into your product by contacting Wolf Factory Certified Service. For the name of the nearest Wolf Factory Certified Service, check the Product Support section of our website, wolfappliance.com, or call Wolf Customer Care at 800-222-7820.
- When contacting service, you will need the model and serial number of your product. Both numbers are listed on the product rating plate. Refer to page 6 for rating plate location.
- For warranty purposes, you will also need the date of installation and name of your authorized Wolf dealer. This information should be recorded on page 2 of this guide.

Wolf Appliance Residential Limited Warranty

FOR RESIDENTIAL USE

FULL TWO YEAR WARRANTY*

For two years from the date of original installation, this Wolf Appliance product warranty covers all parts and labor to repair or replace, under normal residential use, any part of the product that proves to be defective in materials or workmanship. All service provided by Wolf Appliance under the above warranty must be performed by Wolf Factory Certified Service, unless otherwise specified by Wolf Appliance, Inc. Service will be provided during normal business hours.

LIMITED FIVE YEAR WARRANTY

For five years from the date of original installation, Wolf Appliance will repair or replace the following parts that prove to be defective in materials or workmanship: gas burners (excludes appearance), electric heating elements, blower motors (ventilation hoods), electronic control boards, magnetron tubes and induction generators. If the owner uses Wolf Factory Certified Service, the service provider will repair or replace these parts with the owner paying for all other costs, including labor. If the owner uses non-certified service, the owner must contact Wolf Appliance, Inc. (using the information below) to receive repaired or replacement parts. Wolf Appliance will not reimburse the owner for parts purchased from non-certified service or other sources.

TERMS APPLICABLE TO EACH WARRANTY

The warranty applies only to products installed for normal residential use. The warranty applies only to products installed in any one of the fifty states of the United States, the District of Columbia or the ten provinces of Canada. This warranty does not cover any parts or labor to correct any defect caused by negligence, accident or improper use, maintenance, installation, service or repair.

THE REMEDIES DESCRIBED ABOVE FOR EACH WARRANTY ARE THE ONLY ONES THAT WOLF APPLIANCE, INC. WILL PROVIDE, EITHER UNDER THIS WARRANTY OR UNDER ANY WARRANTY ARISING BY OPERATION OF LAW. WOLF APPLIANCE, INC. WILL NOT BE RESPONSIBLE FOR ANY CONSEQUENTIAL OR INCIDENTAL DAMAGES ARISING FROM THE BREACH OF THIS WARRANTY OR ANY OTHER WARRANTY, WHETHER EXPRESS, IMPLIED OR STATUTORY.

Some states do not allow the exclusion or limitation of incidental or consequential damages, so the above limitation or exclusion may not apply to you. This warranty gives you specific legal rights and you may also have other legal rights that vary from state to state.

To receive parts and/or service and the name of Wolf Factory Certified Service nearest you, contact Wolf Appliance, Inc., P.O. Box 44848, Madison, WI 53744; check the Product Support section of our website, wolfappliance.com, email us at customerservice@subzero.com or call 800-222-7820.

*Stainless steel (doors, panels, handles, product frames and interior surfaces) are covered by a limited 60-day parts and labor warranty for cosmetic defects.

*Replacement filters for ventilation hood recirculating kits are not covered by the product warranty.



Contenido

- 3 Precauciones de seguridad
- 6 Funciones de la estufa de energía dual
- 7 Funcionamiento del horno
- 18 Guía de cocina de Wolf
- 21 Funcionamiento de la superficie
- 24 Recomendaciones para el cuidado
- 25 Resolución de problemas
- 27 Garantía de Wolf

AVISO IMPORTANTE: En toda esta guía, las dimensiones entre paréntesis son milímetros, a menos que se especifique lo contrario.

Atención al cliente

El modelo y número de serie están impresos en la tarjeta de registro del producto adjunta. Ambos números también aparecen en la placa de datos del producto. Consulte en la página 6 la ubicación de la placa de datos. Para fines de la garantía, también necesitará la fecha de instalación y el nombre de su distribuidor autorizado de Wolf. Guarde la siguiente información para consultas posteriores.

INFORMACIÓN DE SERVICIO

Número de modelo

Número de serie

Fecha de la instalación

Nombre de servicio certificado

Número de servicio certificado

Distribuidor autorizado

Número de distribuidor

Si su producto alguna vez necesita servicio, asegúrese de acudir a un proveedor de servicio certificado de fábrica de Wolf recomendado por nuestro centro de atención al cliente o seleccione uno de nuestra lista de proveedores en wolfappliance.com/locator. Nosotros seleccionamos y capacitamos cuidadosamente a todos los proveedores de servicios certificados.

Aviso importante

Para garantizar que este producto se instale y opere de la forma más segura y eficiente posible, tome nota de los siguientes tipos de información resaltada en este manual:

AVISO IMPORTANTE señala la información que es especialmente importante.

⚠ PRECAUCIÓN

Indica una situación en la que se pueden sufrir heridas leves o provocar daños al producto si no se siguen las instrucciones.

⚠ ADVERTENCIA

Indica peligro de que se produzcan heridas graves o incluso la muerte si no se siguen las precauciones.

INSTRUCCIONES IMPORTANTES

⚠ ADVERTENCIA

Si no se sigue la información de esta guía al pie de la letra se puede provocar un incendio o una explosión, y causar daños a la propiedad, lesiones personales o incluso la muerte.

No almacene ni utilice gasolina u otros vapores o líquidos ignífugos en las proximidades de este o cualquier otro electrodoméstico.

QUÉ HACER SI PERCIBE OLOR A GAS:

- No intente encender ningún electrodoméstico.
- No toque ningún interruptor eléctrico.
- No utilice ningún teléfono en su edificio.
- Llame inmediatamente a su proveedor de gas desde el teléfono de un vecino. Siga las instrucciones del proveedor de gas. Si no puede contactar a su proveedor de gas, llame al departamento de bomberos.

Este electrodoméstico debe ser instalado y reparado por un técnico calificado, una agencia de servicio o un proveedor de gas y conectado a tierra por un técnico calificado.

⚠ ADVERTENCIA

Si un niño o un adulto jalan el electrodoméstico este puede volcarse y causarles la muerte.

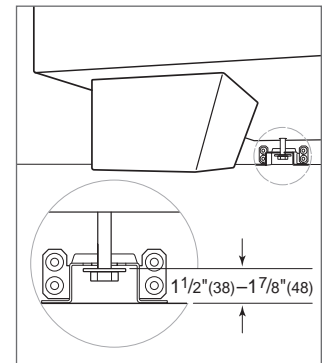
Compruebe que el dispositivo antivuelco haya sido instalado y esté enganchado correctamente. Asegúrese de volver a enganchar el dispositivo antivuelco después de cambiar el electrodoméstico de lugar. Consulte las ilustraciones siguientes para saber cómo comprobar su instalación correcta.

No opere este electrodoméstico sin el dispositivo antivuelco en posición y enganchado. No seguir esta instrucción puede resultar en la muerte o en graves quemaduras en niños o adultos.

Para reducir el riesgo de quemaduras, no mueva el electrodoméstico mientras está caliente.



Ubicación del dispositivo antivuelco



Dispositivo antivuelco enganchado

INSTRUCCIONES IMPORTANTES

PRECAUCIONES GENERALES DE SEGURIDAD

- Lea este manual con atención antes de usar este electrodoméstico para reducir el riesgo de incendio, descarga eléctrica o lesiones.
- Antes de dar servicio, cierre el suministro de gas mediante la llave de paso de gas y desconecte el electrodoméstico de la corriente eléctrica.
- Mantenga el área del electrodoméstico limpia y libre de materiales combustibles.
- Para mayor seguridad al cocinar, programe los controles del quemador de manera que la llama no se extienda más allá del fondo de la sartén.
- Tenga cuidado al abrir la puerta del horno. Deje salir el aire caliente o el vapor antes de mirar o meter las manos dentro del horno.
- No instale un sistema de ventilación que sople aire en dirección descendente hacia este electrodoméstico de cocina que funciona con gas. Este tipo de sistema de ventilación puede causar problemas de ignición y combustión con este electrodoméstico de gas, lo que puede dar como resultado lesiones personales o funcionamiento accidental.
- No utilice papel de aluminio para forrar ninguna parte de este electrodoméstico.
- Nunca utilice este electrodoméstico para entibiar o calentar la habitación. Hacerlo puede resultar en intoxicación por monóxido de carbono.
- Asegúrese de que la entrada de aire fresco del horno (arriba de la puerta) y la rejilla de ventilación del horno (abajo de la puerta) estén libres de obstáculos en todo momento.
- No toque ni permita que la ropa ni otros materiales combustibles toquen la estufa ni el área circundante hasta que se hayan enfriado lo suficiente. Estas áreas podrían calentarse lo suficiente como para causar quemaduras.
- Utilice ropa adecuada. Nunca debe utilizar ropa holgada ni con aplicaciones sueltas al utilizar este electrodoméstico.
- Tenga mucho cuidado al mover un hervidor con grasa o desechar la grasa caliente.
- Utilice siempre guantes de cocina secos al retirar las cacerolas de este electrodoméstico. Los guantes de cocina húmedos o mojados pueden provocar quemaduras por vapor. No utilice una toalla ni un paño grueso en lugar de los guantes de cocina.
- Coloque las rejillas del horno a la altura deseada cuando el horno esté frío. Si debe cambiar una rejilla de posición cuando el horno esté caliente, asegúrese de que el guante de cocina no entre en contacto con un elemento calefactor caliente al interior del horno.
- Limpie solamente las partes indicadas en este manual.
- No utilice limpiadores para hornos. No debe utilizar limpiadores comerciales para hornos ni capas protectoras de ninguna clase en o alrededor de cualquier parte del horno.
- Antes de utilizar la autolimpieza, retire las rejillas del horno, las guías de las rejillas y cualquier otro utensilios de utensilio.
- No intente reparar ni cambiar parte alguna de este electrodoméstico a menos que esté específicamente recomendado en la documentación que acompaña a este electrodoméstico.
- No obstruya el flujo de aire para asegurar una combustión y ventilación adecuadas.
- Cuando utilice este electrodoméstico, no toque las rejillas, las tapas de los quemadores, las bases de los quemadores o cualquier otra parte en proximidad a la llama. Estos componentes pueden estar lo suficientemente calientes como para causar quemaduras.

INSTRUCCIONES IMPORTANTES

PRECAUCIONES GENERALES DE SEGURIDAD

- No limpie el empaque del horno, ya que frotarlo o moverlo puede poner en riesgo el sello de la puerta.
- No use agua en incendios causados por grasas. Sofoque el fuego o utilice un extinguidor químico seco o de espuma.
- No toque los elementos calefactores ni las superficies internas del horno. Los elementos calefactores pueden permanecer calientes incluso cuando tienen un color oscuro. Las superficies internas alcanzan altas temperaturas y pueden causar quemaduras. Durante y después del uso, no toque ni deje que su ropa u otros materiales ignífugos entren en contacto con los elementos calefactores o superficies internas del horno hasta que hayan tenido suficiente tiempo para enfriarse.
- Nunca deje de supervisar este electrodoméstico cuando esté en uso. El rebosamiento por ebullición y los derrames de grasa pueden generar humo o incendiarse.
- No deje a los niños solos o sin supervisión en el área donde se usa este electrodoméstico. Nunca permita que los niños se sienten o paren encima del electrodoméstico.
- No almacene artículos que puedan llamar la atención de niños arriba o detrás de este electrodoméstico, ya que estos podrían subirse al electrodoméstico para alcanzar los objetos y sufrir lesiones.
- No caliente recipientes de comida cerrados, como frascos de alimentos para bebés o enlatados. La acumulación de presión puede hacer que el recipiente explote y cause lesiones.
- No almacene materiales ignífugos en un horno, cerca de los quemadores y tampoco permita la acumulación de grasa u otras sustancias ignífugas en este electrodoméstico.

⚠ ADVERTENCIA

PROPOSICIÓN 65 PARA LOS RESIDENTES DE CALIFORNIA

Cáncer y daño reproductivo:
www.P65Warnings.ca.gov


MANCOMUNIDAD DE MASSACHUSETTS

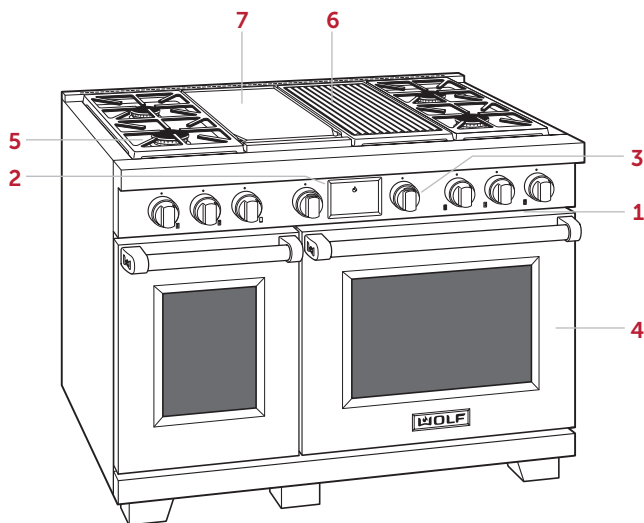
- Las instalaciones y reparaciones deben ser realizadas por un contratista, plomero o un instalador de gas autorizado o calificado por el estado, la provincia o región donde se va a instalar este electrodoméstico.
- Utilice únicamente llaves de paso para gas aprobadas para su uso dentro del estado, provincia o región donde se va a instalar este electrodoméstico.
- Un conector de gas flexible, cuando se utilice, no debe sobrepasar 3' (0.9 m).

Funciones de la estufa de energía dual

Funciones de la estufa de energía dual

CARACTERÍSTICAS

1	Placa de datos del producto
2	Panel de control (presione  para tener acceso)
3	Anillo y perilla para el control del horno
4	Horno de convección
5	Quemador superior
6	Parrilla opcional
7	Plancha opcional
8	Encimera francesa opcional (no representada)



Representación de la estufa de energía dual de 48"

Primeros pasos

Sabemos que no puede esperar para empezar a cocinar, pero antes de hacerlo, dedique un poco de tiempo a leer este manual de uso y cuidado. Si usted es un cocinero ocasional o un chef experto, se beneficiará de familiarizarse con las prácticas de seguridad, características, funcionamiento y recomendaciones de cuidado de su estufa de energía dual de Wolf.

- Para asegurarse de que todo el aceite residual del proceso de fabricación se haya eliminado, limpie a fondo la estufa con agua caliente y detergente suave antes de utilizarla. Enjuague y seque con un paño suave. Consulte las recomendaciones sobre el cuidado en la página 24.
- Compruebe que los componentes de la superficie quemador estén ensamblados correctamente.
- La parrilla, la plancha y la encimera francesa opcionales requieren de atención especial. Consulte las páginas 22 a 23.
- Para obtener los mejores resultados revise los modos de cocción y características especiales en la página 13.

⚠ PRECAUCIÓN

No coloque utensilios de cocina sobre el piso del horno ni utilice papel de aluminio u otro material para recubrir el piso o las paredes laterales del horno. Si hace caso omiso de este aviso se dañará el interior de porcelana y se anulará la garantía.

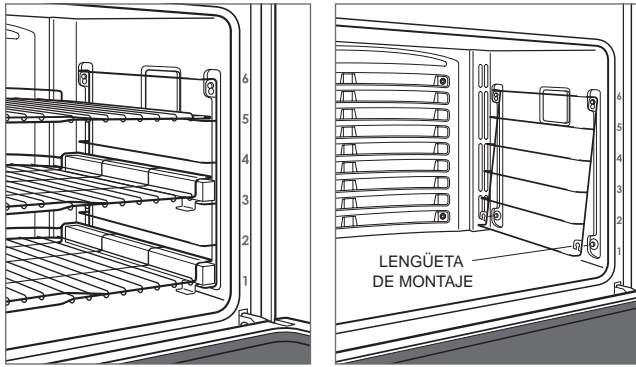
Rejillas del horno

POSICIÓN DE LA PARRILLA DEL HORNO

Las parrillas del horno se pueden colocar en cualquiera de las seis posiciones etiquetadas en la parte frontal del horno. Consulte la siguiente ilustración.

GUÍAS DE LAS REJILLAS DEL HORNO

Para insertar las guías de las rejillas del horno busque los tornillos de montaje en las paredes laterales del horno. Coloque las lengüetas de montaje de la guía de la rejilla sobre los tornillos superiores, presione hacia adentro y deslice hasta que quede bien asentada. Consulte la siguiente ilustración.

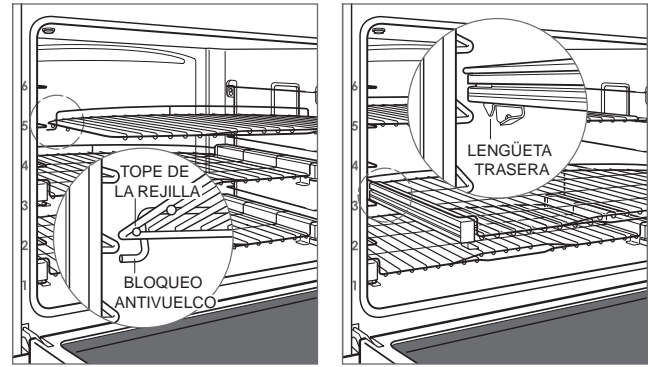


Posición de la parrilla del horno Guía de las rejillas del horno

REJILLAS DEL HORNO

Para insertar una rejilla estándar en el horno, coloque el bloqueo antivuelco de la rejilla debajo de los rieles laterales de la guía de la rejilla. Deslice la rejilla hacia atrás y levante para dejar libres los topes de la rejilla. Siga deslizando la rejilla hacia atrás hasta que esté completamente en el interior del horno. Consulte la siguiente ilustración.

Para insertar una rejilla de extensión completa, coloque las dos lengüetas posteriores sobre la guía de la rejilla (una lengüeta arriba y una abajo). Consulte la siguiente ilustración. Incline ligeramente la rejilla y deslícela hasta que la muesca frontal de la rejilla se acople con la guía frontal de la rejilla.



Bloqueo antivuelco para las rejillas del horno

Rejilla de máxima extensión

Funcionamiento del horno

Las estufas de energía dual de Wolf usan una combinación de un panel de control interactivo de pantalla táctil, un anillo selector de modos de cocción y una perilla de control de temperatura del horno para seleccionar los modos de cocción deseados, la temperatura del horno y otras funciones exclusivas. El panel de control debe estar abierto para poder acceder al modo Gourmet y las funciones exclusivas. Consulte la siguiente ilustración.

El horno tiene diez modos de cocción: hornear, rostizar, asar, rostizar por convección, convección, Gourmet, fermentación, piedra, deshidratar y calentamiento. El modo de piedra no está disponible en el horno de 18" (457). Para cocer en piedra cerámica y para deshidratar se requieren accesorios.

Para comenzar la cocción:

Gire el anillo de selección al modo de cocción deseado. --- aparece en la pantalla de la perilla del horno.

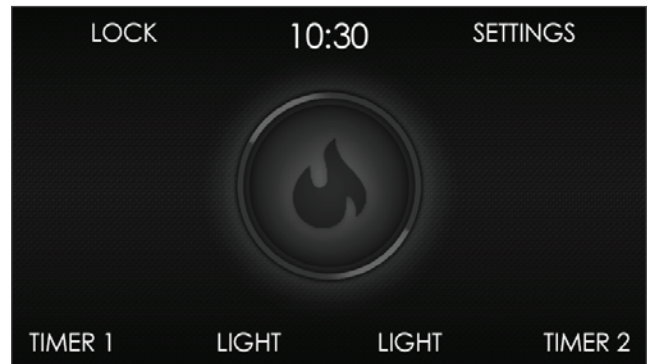
- 1 Voltee la perilla de control para aumentar o disminuir la temperatura o pulse Start (iniciar) en el panel de control. Cualquier acción completa el segundo paso del proceso y comienza el precalentamiento.

Para los modos de hornear, rostizar, asar, rostizar por convección, convección, Gourmet y piedra, un pequeño giro de la perilla de control modifica la temperatura en 5°F (1°C). Una rotación completa modifica la temperatura en 25°F (5°C). Para los modos de fermentación, deshidratar y calentamiento, un pequeño giro de la perilla de control modifica la temperatura en 1°. Una rotación completa modifica la temperatura en 5°C.

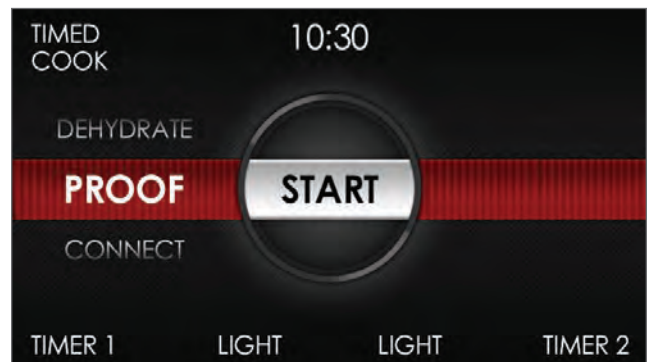


Panel de control y perilla para el control del horno

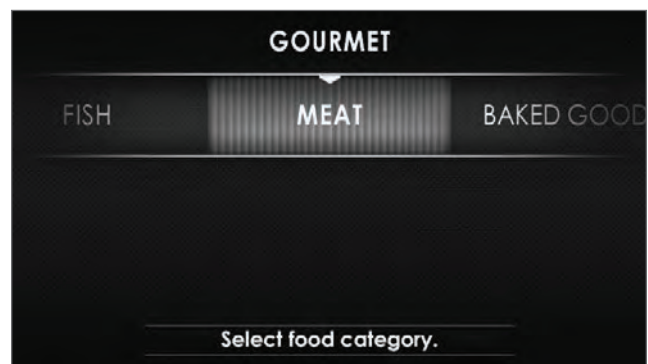
El panel de control interactivo utiliza la tecnología de toque (touch) para seleccionar los modos de cocción y otras funciones. Revise las siguientes ilustraciones.



Pantalla de inicio (del horno doble)



Más pantalla (del horno doble)




Pantalla de Gourmet

Funcionamiento del horno

ANTES DE USARLO

Para asegurarse de que todo el aceite residual del proceso de fabricación se haya eliminado, cada horno tiene que pasar por el siguiente procedimiento:

- 1 Limpie cuidadosamente el horno con agua caliente y detergente suave. Enjuague y seque con un paño suave.
- 2 Encienda la ventilación. Es normal que haya un poco de humo y olor.
- 3 Gire el anillo selector a  Roast (rostizar por convección) y ajuste la temperatura a 500°F (260°C) durante una hora.
- 4 Gire la anillo de selección a Off (apagar) y deje que el horno enfríe con la puerta cerrada.

BLOQUEO DE CONTROL

La función de bloqueo impide el funcionamiento no deseado del panel de control. La función de bloqueo deberá restablecerse después de un corte de energía.

Para bloquear o desbloquear:

- 1 Pulse y mantenga presionado el botón Bloqueo durante 3 segundos.

LUZ DEL HORNO

La luz del horno se encenderá automáticamente cuando la puerta esté abierta y se apagará cuando esté cerrada. Para encender la luz cuando la puerta está cerrada, presione Light (Luz) en el panel de control.

PRECALENTAMIENTO

Durante el precalentamiento, el horno se calienta lo más rápido y uniforme posible y no es ideal para cocinar. El precalentamiento debe ser utilizado para todos los modos de cocción excepto el de Asado, Fermentación, Deshidratar, Calentamiento y algunos modos Gourmet. Una vez que se haya completado el precalentamiento, un sonido de campana indicará que el horno ha alcanzado la temperatura establecida.

Funcionamiento del horno

RELOJ

El reloj es visible en el panel de control durante todos los modos de cocción. Es muy importante fijar el reloj en la hora correcta si se utiliza la función de cocción cronometrada. El reloj debe ser reiniciado después de un apagón eléctrico.

El reloj establece la hora automáticamente si la unidad esta conectada al Wi-Fi. Consulte Conectar este electrodoméstico en la página 11.

Para configurar el reloj:


- 1 Pulse Settings (configuración), luego seleccione Time (hora).
- 2 Pulse para seleccionar el modo de 12 Horas o de 24 Horas.
- 3 Use la barra deslizable para fijar la hora del día, seleccione AM o PM, y después pulse Set (fijar). Un sonido de campana indica que el reloj ha quedado configurado.

La hora también puede ajustarse mediante la selección de la pantalla de hora en la pantalla de inicio.

TEMPORIZADOR

El temporizador se puede ajustar para un máximo de 11 horas y 59 minutos. Una vez que se ajusta el tiempo, la cuenta regresiva se ilumina en la pantalla del panel de control. El temporizador es independiente del horno. Ajustar el temporizador no afecta el tiempo de cocción ni el tiempo de parada.

Configurar el temporizador:

- 1 Pulse Timer 1 o Timer 2.
- 2 Use la barra deslizable para fijar la duración, y después pulse Set (fijar). Un sonido de campana indica que la hora ha quedado configurada.
- 3 Para editar el temporizador, pulse el tiempo de cuenta regresiva en la pantalla, luego use las barras deslizantes para establecer la duración.
- 4 Para cancelar el temporizador, pulse el tiempo de cuenta atrás en la pantalla y luego pulse .
- 5 El temporizador sonará cuando reste un minuto. El temporizador sonará y destellará al finalizar.
- 6 Pulse el tiempo destellante para borrar.

Opciones extendidas

Para tener acceso a opciones extendidas, pulse Settings (Configuraciones). Use la barra deslizable para llegar a la opción deseada y pulse la opción para seleccionar. Si necesita más información, pulse Info.

OPCIONES

Hora	Seleccionar 12 horas o 24 horas.
Sabbath	Activar o desactivar Sabbath.
Reloj	Seleccionar digital, analógico, en blanco o logotipo.
Conectarse	Encienda conectarse o desconectarse.*
Modo de espera	Active o desactive energía en modo de espera.
Idioma	Seleccionar: Inglés, español, francés, italiano, alemán, holandés o chino.
Unidades	°F/Imperial o °C/Métrico.
Sala de exhibición	Para uso en salas de exhibición solamente.
Información	Acceda a consejos útiles e información del producto.
Acerca de	Para servicio solamente.
Variación de temperatura	Para servicio solamente.
Calibración	Ajustar la calibración de la pantalla.
Sonido	Silenciar, 1-5 y alto, medio y bajo.
Brillo	Ajustar el brillo de la pantalla. 0-100%.

*Para conectarse a la aplicación de Sub-Zero Group Owners, la opción Connect (Conectarse) debe estar activada.

Cómo conectar este electrodoméstico

Conecte este electrodoméstico para monitorearlo y controlarlo remotamente. Para conectarlo se requiere un enrutador inalámbrico, una conexión a Internet con un nombre de la red y una contraseña, y un dispositivo móvil compatible. No hay límite para el número de electrodomésticos que usted puede conectar a una cuenta. Conecte los productos de múltiples hogares a la misma cuenta. Conectar los electrodomésticos es opcional.

- 1 Descargue la aplicación gratuita de Sub-Zero Group Owner de Apple App Store o Google Play.
- 2 Active la función de Bluetooth en el dispositivo, ubíquese a poca distancia del electrodoméstico, abra la aplicación y siga las instrucciones de la pantalla.
- 3 Inicie sesión o cree una cuenta.
- 4 Pulse Add An Appliance (agregar un electrodoméstico) o pulse + en la parte superior derecha de la pantalla para agregar electrodomésticos. Para identificar cuál electrodoméstico emparejar, abra la puerta del electrodoméstico,
- 5 Pulse + al lado del electrodoméstico para seleccionarlo. Si aparecen electrodomésticos idénticos, un paso adicional identificará cuál electrodoméstico emparejar.
- 6 Pulse para emparejar por medio de Bluetooth. Espere hasta que se complete la configuración, y luego pulse Set Up Your Appliance For Pairing (configurar su electrodoméstico para emparejamiento).
- 7 Pulse Choose a Network (elegir una red) en la pantalla Connect Your Appliance to Wi-Fi (conectar su electrodoméstico a Wi-Fi).
- 8 Seleccione la red de Wi-Fi de la casa e introduzca la contraseña de la red.
- 9 Pulse Turn on Notifications (activar notificaciones) para permitir las notificaciones sobre el electrodoméstico (por ejemplo, door left ajar (puerta parcialmente abierta)).
- 10 Pulse Done (listo) en la pantalla Success (éxito) para completar la configuración.

Modos de cocción

GOURMET

Gourmet ofrece una variedad de preparaciones de comidas rápidas y convenientes. Elija de entre seis categorías: carne, pescado, alimentos horneados, pizza, verduras y comidas de un platillo.

Una vez hecha la selección, Gourmet recomienda la posición correcta de la rejilla, establece el modo de cocción y regula automáticamente la temperatura, a veces usando múltiples modos y temperaturas. Consulte las instrucciones en el panel de control para determinar si se requiere precalentamiento. El horno no se apaga automáticamente cuando se ha completado el tiempo de cocción.

Para más información referente a Gourmet, consulte la guía de técnicas y recetas que viene con el electrodoméstico, o bien, visite subzero-wolf.com/wolf-technique-guides.

Ajustar controles:

- 1 Gire el anillo a **G**.
- 2 Use el panel de control para seleccionar la configuración deseada.

GUÍA GOURMET

CARNE	Carne de res	bistec, lomo, carne rostizada, costilla, pastel de carne, cocción lenta
	Carne de aves	entero, piezas frescas, pechuga entera
	Carne de puerco	costillas, lomo, carne rostizada, bistec, chuleta, jamón entero
	Carne de cordero	pierna, carne rostizada, costillar
PESCADO	Bistec	
	Filete	
	Empanizado	
PRODUCTOS HORNEADOS	Galletas	
	Pastel	en hojas, tipo flauta, de ángel, de libra, pastelitos
	Pay	de costra sencilla, de costra doble
	Pan	pan rápido, hogaza de levadura, rollos de levadura, bisquets
PIZZA*	Fresca	
	Pre-horneada	
	Calzone	
VERDURAS	Asados	
	Camotes/batatas	
	Papas horneadas	
COMIDAS DE UN PLATILLO	Casserole	
	Lasagna	
	Quiche	

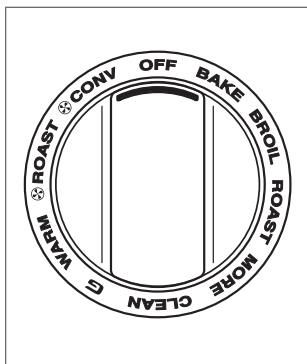
*No está disponible en el horno de 18" (457).

Funcionamiento del horno

Modos de cocción

MODO	PRECONFIGURADO	RANGO	SONDA	USOS
BAKE (HORNEAR)	350°F (175°C)	200–550°F (95–290°C)	•	Lo mejor para cocinar en rejilla sencilla, principalmente alimentos horneados. Utilice para recetas estándar.
ROAST (ROSTIZAR)	350°F (175°C)	200–550°F (95–290°C)	•	El mejor para rostizar cortes menos tiernos de carne, como agujas y carne para estofado que debe ir cubierta.
BROIL (ASAR)	BR3 550°F (290°C)	BR3 550°F (290°C) BR2 450°F (230°C) BR1 350°F (175°C)		Lo mejor para asar piezas de carne, pescado y aves hasta de 1" de grosor. Utilice una parrilla de dos partes y siempre realice el asado con la puerta del horno cerrada.
CONVECTION ROAST (ROSTIZAR POR CONVECCIÓN)	325°F (165°C)	200–550°F (95–290°C)	•	Dora suavemente el exterior y sella interiormente los jugos. Perfecto para rostizar cortes tiernos de res, cordero, puerco y aves.
CONVECCIÓN	325°F (165°C)	200–550°F (95–290°C)	•	El movimiento uniforme del aire hace posible la cocción en varios niveles de rejillas con un dorado uniforme.
GOURMET	—	—	•	Gourmet proporciona preparaciones de comidas rápidas y convenientes con recomendaciones respecto al modo de cocción y la posición de la rejilla. Consulte la página 12. La temperatura preestablecida y el rango dependen de la comida y del punto de cocción deseado.
PROOF (FERMENTACIÓN)	85°F (30°C)	85-110°F (30-45°C)		Ideal para fermentar o levar la masa de pan.
STONE (PIEDRA)	450°F (230°C)	200–550°F (95–290°C)	•	Hornear sobre una piedra cerámica. Excelente para pizza y pan. Se requiere un accesorio de piedra.
DESHIDRATAR	135°F (60°C)	110-170°F (45-75°C)		Seca una diversidad de frutas, verduras, hierbas y tiras de carne. Se requieren accesorios para rejillas.
WARM (CALENTAMIENTO)	180°F (80°C)	140-200°F (60-95°C)	•	Diseñado para mantener los alimentos a la temperatura para servirse.

NOTA: La sonda de temperatura puede utilizarse con todos los modos de cocción excepto los de asado, fermentación y deshidratar.



Anillo de selección de la perilla del horno

Sonda de temperatura

Utilice solamente la sonda de temperatura que viene con este electrodoméstico. Consulte la siguiente ilustración. La sonda de temperatura mide la temperatura interna de los alimentos durante la cocción. La sonda puede utilizarse para monitorear la temperatura sin tener que establecer una temperatura deseada y puede usarse en todos los modos de cocción excepto asar, fermentación y deshidratar.

Ajustar controles:

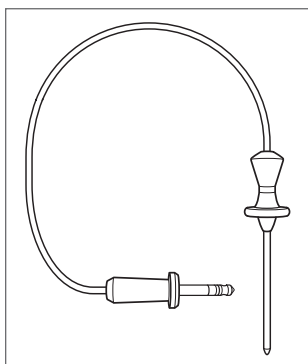
- 1 Precaliente el horno a la temperatura del horno deseada en el modo deseado.
- 2 Inserte completamente la sonda sensor en la parte más gruesa de los alimentos.
- 3 Cuando se haya completado el precalentamiento, ponga los alimentos en el horno.
- 4 Inserte la sonda en el receptáculo de la sonda. Consulte la siguiente ilustración. Cierre la puerta del horno.
- 5 Pulse Probe (sonda).
- 6 Pulse Set (configurar) para seleccionar prefijar temperatura. Para cambiar la temperatura, use la perilla de control para seleccionar la temperatura deseada, y después pulse Set (configurar).
- 7 Un sonido de campana indica que la temperatura se encuentra 5°F (1°C) por debajo de la temperatura establecida. El horno hace un sonido de campana y la temperatura establecida destella cuando la temperatura interna alcanza el punto establecido.
- 8 Retire y luego vuelva a insertar la sonda para comprobar la temperatura interna.
- 9 Pulse la temperatura destellante para borrar.

⚠ PRECAUCIÓN

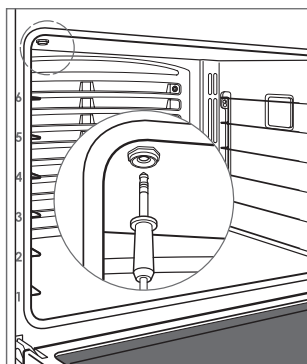
Tire hacia abajo cuando retire la sonda del receptáculo. Doblar o tirar de la sonda en ángulo durante la extracción puede dañar la sonda y el horno. No coloque una rejilla o accesorio en la posición seis de la rejilla cuando utilice la sonda, ya que interfiere con la extracción de la sonda.

⚠ PRECAUCIÓN

La sonda y el recipiente de la sonda estarán muy calientes. Manipule con cuidado.



Sonda de temperatura




Receptáculo de la sonda

Programa automático

COCCIÓN CRONOMETRADA

La cocción cronometrada apaga automáticamente el horno a una hora específica. El horno empieza a calentar inmediatamente y se apaga a la hora que usted desee que se apague. Si se requiere precalentamiento, el tiempo del mismo debe registrarse al determinar la duración de la cocción. El reloj debe estar configurado con la hora correcta para que el inicio automático funcione correctamente. Utilice cualquier modo de cocción excepto el de asado, Gourmet o piedra para hornear. La sonda de temperatura no puede usarse durante la cocción cronometrada.


Ajustar controles:

- 1 Gire el anillo de selección al modo de cocción deseado y voltee la perilla de control para regular la temperatura.
- 2 Pulse Timed Cook (cocción cronometrada), y después seleccione la duración deseada de la cocción.
- 3 Pulse Set (configurar) dos veces para comenzar.
- 4 Para cancelar, pulse el tiempo de duración/parada destellante en la pantalla táctil y luego pulse .
- 5 El horno se apaga automáticamente cuando se ha completado el tiempo de cocción.
- 6 Gire el anillo de selección a Off (apagado) para despejar.

INICIO RETARDADO

El inicio retardado enciende y apaga el horno automáticamente a una hora específica. El horno permanece inactivo hasta la hora de inicio deseada y se apaga a la hora que usted desee. Si se requiere precalentamiento, el tiempo del mismo debe registrarse al determinar la duración de la cocción. El reloj debe estar configurado con la hora correcta para que el inicio automático funcione correctamente. Utilice cualquier modo de cocción excepto el de asado, Gourmet o piedra para hornear. La sonda de temperatura no puede usarse durante el Inicio retardado.

Ajustar controles:

- 1 Gire el anillo de selección al modo de cocción deseado y voltee la perilla de control para regular la temperatura.
- 2 Pulse Timed Cook (cocción cronometrada), y después seleccione la duración deseada de la cocción.
- 3 Use la barra deslizable para Seleccionar la hora de parada, y después pulse Set (fijar).
- 4 Para cancelar, pulse el tiempo de duración/parada destellante en la pantalla táctil y luego pulse .
- 5 El horno se apaga automáticamente cuando se ha completado el tiempo de cocción.
- 6 Gire el anillo de selección a Off (apagado) para despejar.

Limpeza

Durante la limpieza, el horno alcanza una temperatura extremadamente alta para quemar los residuos de los alimentos. Se desactivan las luces del horno. La limpieza dura aproximadamente cuatro horas.

AVISO IMPORTANTE: Para hornos dobles, el otro horno no puede estar en uso durante la limpieza.

Ajustar controles:

- 1 Encienda la ventilación. Es normal que haya un poco de humo y olor.
- 2 Gire el anillo de selección a Clean (limpieza).
- 3 Pulse Start (iniciar).
- 4 Retire las rejillas del horno y las guías de las rejillas, y después pulse Ok.
- 5 La puerta del horno se bloqueará y permanecerá bloqueada hasta que haya terminado la limpieza y la temperatura del horno sea inferior a 550°F (290°C).
- 6 Gire el anillo de selección a Off (apagado) para despejar.

La porcelana está hecha de productos naturales y, por tanto, puede quebrarse o desarrollar finas líneas y grietas debido a la expansión y contracción que ocurre al fluctuar la temperatura del horno (especialmente cuando se usa la función de autolimpieza). Esto puede resultar en imperfecciones cosméticas, tales como una apariencia turbia, opaca o rasguñada. Las imperfecciones cosméticas pueden ser más visibles en una cavidad de horno con color.

LIMPIEZA RETARDADA

Ajustar controles:

- 1 Encienda la ventilación. Es normal que haya un poco de humo y olor.
- 2 Gire el anillo de selección a Clean (limpieza).
- 3 Pulse Delayed Clean (limpieza retardada) y use la barra deslizable para seleccionar la hora de finalización deseada, y después pulse Set (configurar).
- 4 Retire las rejillas del horno y las guías de las rejillas, y después pulse Ok.
- 5 La puerta del horno se bloqueará y permanecerá bloqueada hasta que haya terminado la limpieza y la temperatura del horno sea inferior a 550°F (290°C).
- 6 Gire el anillo de selección a Off (apagado) para despejar.

⚠ PRECAUCIÓN

Durante la limpieza las superficies externas pueden alcanzar una temperatura más alta de lo normal. Debe mantener a los niños alejados.

Sabbath

Este electrodoméstico lleva el certificado Star-K que indica que cumple con estrictas normas religiosas junto con instrucciones específicas que aparecen en www.star-k.org.

Los modos de Hornear, Rostizar, Fermentar y de calentamiento pueden usarse en Sabbath.

Ajustar controles:

- 1 Encender o apagar las luces.
- 2 Pulse Settings (configuración), luego seleccione Sabbath.
- 3 Pulse On (encender), y después pulse Set (fijar).
- 4 Gire el anillo de selección al modo de cocción deseado y voltee la perilla de control para regular la temperatura, y luego pulse Start (iniciar).
- 5 Para cambiar la temperatura del horno mientras se está en el modo Sabbath, gire la perilla de control. Cada giro aumenta o disminuye la temperatura en 25°F o 5°C. La temperatura cambia al azar una vez se ha seleccionado la nueva temperatura.
- 6 Gire el anillo de selección a Off (apagado) para despejar.

Luz del horno

⚠ ADVERTENCIA

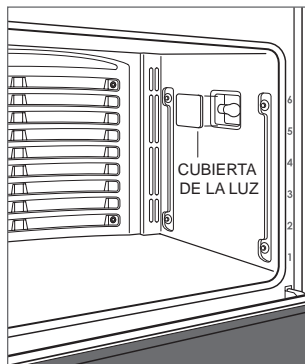
Compruebe que la energía esté desconectada de la caja eléctrica antes de reemplazar un foco.

Deje que el horno enfíe por completo, luego retire las rejillas del horno y las guías de las rejillas. Para retirar la cubierta de la luz, haga palanca suavemente en el borde inferior con un destornillador plano. Retire el foco existente y reemplácelo con un foco de halógeno de 40 vatios. Consulte la siguiente ilustración. No toque el nuevo foco con las manos descubiertas. Póngase guantes de goma o use una toalla de papel para sujetar el foco durante la instalación.

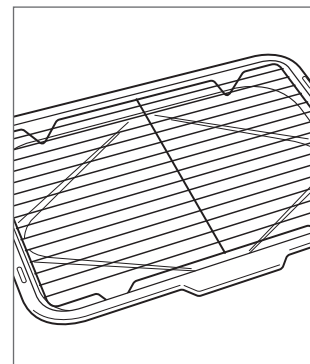
Para reemplazar el foco ubicado en la parte superior de la cavidad del horno, póngase en contacto con el Servicio certificado de fábrica de Wolf. Para conocer los datos del centro de Servicio certificado de fábrica de Wolf más cercano, consulte la Sección de servicio técnico en nuestro sitio web, wolfappliance.com, o bien, llame a la línea de atención al cliente de Wolf al 800-222-7820.

Parrilla para asar

Para asar, use la parrilla para asar de dos piezas y la rejilla que viene con la estufa. Consulte la siguiente ilustración.



Reemplazo del foco



Parrilla para asar y rejilla

Guía de cocina de Wolf

ALIMENTOS	REJILLA(S)	MODO	TEMP HORNO	POSICIÓN	HORA	NOTAS
PANES						
Bisquets	1	Rostizar	400 °F (205 °C)	3	5-10 min	
	2	Convección	425 °F (220 °C)	2, 5	5-10 min	
	3	Convección	425 °F (220 °C)	1, 3, 5	5-10 min	
Pancitos dulce de canela	1	Hornear	350 °F (175 °C)	3	20-25 min	
	2	Convección	325 °F (165 °C)	2, 5	20-25 min	
	3	Convección	325 °F (165 °C)	1, 3, 5	20-25 min	
Pan de ajo	1	Asar	Medio	5		
Muffins	1	Hornear	400 °F (205 °C)	3	15-20 min	
	2	Convección	375 °F (190 °C)	2, 5	10-15 min	
	3	Convección	375 °F (190 °C)	1, 3, 5	10-15 min	
Panes rápidos	1	Hornear	350 °F (175 °C)	3	40-50 min	
Pan tostado	1	Asar	Alta	5		
Pan de levadura (pan de molde)	1	Hornear	350 °F (175 °C)	3	20-45 min	
Pan de levadura (sin charola)	1	Piedra	450 °F (230 °C)	1	15-45 min	
Pancitos de levadura	1	Convección	375 °F (190 °C)	3	10-20 min	
	2	Convección	375 °F (190 °C)	2, 5	10-20 min	
	3	Convección	375 °F (190 °C)	1, 3, 5	10-20 min	
PASTELES						
Pan de ángel	1	Hornear	350 °F (175 °C)	1	35-45 min	
Tarta o budín	1	Hornear	350 °F (175 °C)	3	40-50 min	
Pastelitos	1	Hornear	350 °F (175 °C)	3	20-25 min	
	2	Convección	325 °F (165 °C)	2, 5	15-25 min	
	3	Convección	325 °F (165 °C)	1, 3, 5	15-25 min	
Mezclas o desde inicio	1	Hornear	350 °F (175 °C)	3	20-30 min	
	2	Convección	325 °F (165 °C)	2, 5	20-30 min	
	3	Convección	325 °F (165 °C)	1, 3, 5	20-30 min	
GALLETAS						
Galletas o barras	1	Hornear	350 °F (175 °C)	3	10-25 min	
	2	Convección	325 °F (165 °C)	2, 5	10-25 min	
	3	Convección	325 °F (165 °C)	1, 3, 5	10-25 min	
PAYS						
Hojaldres con crema	1	Convección	400 °F (205 °C)	3	20-30 min	
De 2 costras o recubierto	1	Hornear	375 °F (190 °C)	3	40-45 min	
Merengue de limón	1	Asar	Baja	3	10-15 min	
Costra de pay (vacía)	1	Hornear	425 °F (220 °C)	3	10-15 min	
Hojaldres	1	Hornear	400 °F (205 °C)	3	10-15 min	
	2	Convección	375 °F (190 °C)	2, 5	10-15 min	
	3	Convección	375 °F (190 °C)	1, 3, 5	10-15 min	
Calabaza o natillas	1	Hornear	425°F (220°C) / 325°F (165°C)	3	vea nota	Hornee durante 15 min a 425°F, reduzca la temperatura a 325°F y hornee hasta que el pay esté listo, de 45 a 60 min.

El consumo de carnes, aves, mariscos, ostras o huevos crudos o sin buena cocción, puede aumentar su riesgo de enfermedades derivadas de los alimentos.

Guía de cocina de Wolf

ALIMENTOS	MODO	TEMP HORNO	REJILLA	HORA	TEMP SONDA	NOTAS
RES						
Agujas	Rostiz Conv	325 °F (165 °C)	3	20–25 min/lb	Med 150°F (65°C)	Coloque en el plato, con líquido a ½ de la altura de la carne.
	Rostizar	350 °F (175 °C)	3	20–25 min/lb	Med 150°F (65°C)	
Hamburguesas de carne molida	Asar	Alta	5	10-15 min		Voltear a los 7 min.
Costilla	Rostizar	450°F (230°C) / 225°F (105°C)	2	vea nota	Ligeramente cocida 130°F (55°C)	No es necesario precalentar. Rostice durante 30 min a 450°F, reduzca la temperatura a 225°F y cueza a la temperatura interna deseada.
Rostizado	Rostizar	425°F (220°C) / 325°F (165°C)	2	vea nota	Ligeramente cocida 135°F (60°C)	Rostice durante 30 min a 425°F, reduzca la temperatura a 325°F y cueza a la temperatura interna deseada.
Rostizado lento	Hornear	300 °F (150 °C)	2			Coloque en un plato cubierto, con líquido a ¼ de la altura de la carne.
Bistecs (de menos de 1" de grueso)	Asar	Alta	5	10-15 min		Voltear a los 6 min.
Bistecs (de más de 1" de grueso)	Asar	Alta	5	10-20 min		Voltear a los 8 min.
Lomo	Rostiz Conv	450 °F (230 °C)	3	10–20 min/lb	Ligeramente cocida 130°F (55°C)	
AVES						
Pollo con hueso	Rostiz Conv	325 °F (165 °C)	5	20-25 min	Muslo 180°F (80°C)	
Pechuga de pollo deshuesada	Asar	Medio	5	10-15 min		Voltear a la mitad del tiempo de asado.
(aplanada a ½" de grueso)	Rostiz Conv	350 °F (175 °C)	3	15-20 min	Pechuga 165°F (75°C)	
Cuartos de pollo, muslos	Asar	Medio	5	20-25 min		Voltear a la mitad del tiempo de asado.
	Rostizar	350 °F (175 °C)	3	30-40 min	Muslo 180°F (80°C)	
	Rostiz Conv	325 °F (165 °C)	3	30-40 min	Muslo 180°F (80°C)	
	Hornear	350 °F (175 °C)	3	30-40 min	Muslo 180°F (80°C)	
Pollo entero	Rostiz Conv	325 °F (165 °C)	2	10–20 min/lb	Muslo 180°F (80°C)	
Codorniz	Rostiz Conv	325 °F (165 °C)	3	1 hora	Muslo 180°F (80°C)	
	Rostizar	350 °F (175 °C)	3	1 hora	Muslo 180°F (80°C)	
Pato	Rostiz Conv	325 °F (165 °C)	2	15–20 min/lb	Muslo 180°F (80°C)	
Ganso	Rostiz Conv	325 °F (165 °C)	2	15–20 min/lb	Muslo 180°F (80°C)	
Pechuga de pavo entera	Rostiz Conv	325 °F (165 °C)	2	15–20 min/lb	Pechuga 165°F (75°C)	
	Rostizar	350 °F (175 °C)	2	15–20 min/lb	Pechuga 165°F (75°C)	
Piezas de pavo	Rostiz Conv	325 °F (165 °C)	3	30–40 min	Muslo 180°F (80°C)	
	Rostizar	350 °F (175 °C)	3	30–40 min	Muslo 180°F (80°C)	
Pavo entero (en salmuera)	Hornear	350 °F (175 °C)	1	10–15 min/lb	Muslo 180°F (80°C)	
Pavo entero	Rostiz Conv	325 °F (165 °C)	1	10–15 min/lb	Muslo 180°F (80°C)	
	Rostizar	325 °F (165 °C)	1	10–15 min/lb	Muslo 180°F (80°C)	

El consumo de carnes, aves, mariscos, ostras o huevos crudos o sin buena cocción, puede aumentar su riesgo de enfermedades derivadas de los alimentos.

Guía de cocina de Wolf

ALIMENTOS	MODO	TEMP HORNO	REJILLA	HORA	TEMP Sonda	NOTAS
CERDO						
Chuletas, bistecs (½" de grueso)	Asar	Alta	5	5-10 min		Voltear a la mitad del tiempo de asado.
	Rostiz Conv	350 °F (175 °C)	3	10-15 min		
Bistec de jamón (de menos de 1" de grueso)	Asar	Alta	5	5-10 min		Voltear a la mitad del tiempo de asado.
Bistec de jamón (de más de 1" de grueso)	Asar	Alta	5	10-15 min		Voltear a la mitad del tiempo de asado.
Jamón entero	Hornear	335 °F (170 °C)	2	10-15 min/lb	160 °F (70 °C)	Cubra y deje reposar durante 15 min.
Costillas	Hornear	300 °F (150 °C)	3			Coloque en paquetes con papel aluminio o en un plato cubierto, con líquido a ¼ de la altura de la carne.
Rostizado lento	Hornear	300 °F (150 °C)	2			Coloque en un plato cubierto, con líquido a ¼ de la altura de la carne.
Lomo	Rostiz Conv	400 °F (205 °C)	3	15-20 min/lb	Ligeramente cocida 130°F (55°C)	
CORDERO						
Chuletas, bistecs (¾" de grueso)	Asar	Alta	5	5-10 min		Voltear a la mitad del tiempo de asado.
Coronilla	Rostiz Conv	325 °F (165 °C)	2	15-20 min/lb	145 °F (65 °C)	
Pierna	Rostiz Conv	425°F (220°C) / 325°F (165°C)	2	vea nota	145 °F (65 °C)	Rostice durante 30 min a 425°F, reduzca la temperatura a 325°F y cueza a la temperatura interna deseada.
Rostizado de ternera	Rostiz Conv	300 °F (150 °C)	2	30-35 min/lb	140 °F (60 °C)	
PESCADO						
Filete (de menos de 1" de grueso)	Asar	Medio	5	10-20 min		
Filete (de más de 1" de grueso)	Rostiz Conv	375 °F (190 °C)	5	15-25 min		
PIZZA						
Calzone	Piedra	375 °F (190 °C)	1	10-15 min		
Pizza de pan francés	Asar	Medio	5	10-15 min		
Pizza casera	Piedra	450 °F (230 °C)	1	5-15 min		
VERDURAS						
Verduras mixtas	Rostiz Conv	400 °F (205 °C)	4	10-20 min		
Papas, camotes	Hornear	350 °F (175 °C)	3	45-60 min		
OTROS						
Pastel de carne	Rostizar	425°F (220°C) / 325°F (165°C)	2	vea nota	165 °F (75 °C)	Rostice durante 20 min a 425°F, reduzca la temperatura a 325°F y cueza a la temperatura interna deseada.
Nachos	Asar	Baja	3	15-20 min		
Comidas de un platillo	Hornear	350 °F (175 °C)	3	45-60 min	175 °F (80 °C)	
Quiche	Hornear	350 °F (175 °C)	3	40-50 min		
Salchicha, bratwurst (fresca)	Asar	Medio	5	10-15 min		Voltear a la mitad del tiempo de asado.

El consumo de carnes, aves, mariscos, ostras o huevos crudos o sin buena cocción, puede aumentar su riesgo de enfermedades derivadas de los alimentos.

Quemadores superiores

⚠ PRECAUCIÓN

Retire todas las tapas de acero inoxidable y las tablas de cortar antes de usar.

⚠ PRECAUCIÓN

El uso de recipientes de cocción de gran diámetro puede provocar que las superficies adyacentes, incluidas las tapas de acero inoxidable, se calienten mucho.

Para encender un quemador, empuje y gire la perilla de control correspondiente en sentido opuesto a las manecillas del reloj a Hi (alto). El piloto hace el sonido característico hasta que se enciende el quemador. Una vez encendido, siga girando la perilla en sentido opuesto a las manecillas del reloj hasta llegar a la programación deseada. El halo de luz alrededor del anillo se ilumina y permanece iluminado hasta que el quemador está apagado.

Para seleccionar una programación a fuego lento, gire la perilla de control hasta que se detenga en la programación más baja. Pulse y siga girando en sentido opuesto a las manecillas del reloj. La llama pasará al segundo nivel en el quemador. Siga girando la perilla hasta llegar a la programación de fuego lento deseada.

Durante un corte de energía, los quemadores superiores se pueden encender manualmente. Gire la perilla a Hi (alto) y encienda con un encendedor multiusos.

DATOS DE LOS QUEMADORES SUPERIORES

El quemador frontal izquierdo es de 20,000 Btu. Cualquier otro quemador frontal adicional a la derecha es de 18,000 Btu. El quemador posterior izquierdo es de 9,200 Btu. Cualquier otro quemador posterior adicional a la derecha es de 15,000 Btu.

⚠ PRECAUCIÓN

Nunca deje desatendidas las cacerolas en una programación de alta temperatura. Tenga cuidado al cocinar los alimentos en grasa o aceite, estos pueden calentarse lo suficiente como para incendiarse.

PERILLAS DE CONTROL

ÍCONO	PERILLA DE CONTROL	CONFIGURACIÓN
	Quemador superior	Alta-Baja / Fuego Lento Alta-Baja
	Parrilla	Alta-Baja
	Plancha	100°F–450°F
	Encimera francesa	Alta-Baja

Parrilla

⚠ PRECAUCIÓN

Retire todas las cubiertas de acero inoxidable y las tablas de picar antes de usar.

La parrilla tiene un quemador infrarrojo que transfiere un calor intenso a los alimentos, por lo que dora el exterior. Cocine los alimentos directamente sobre la rejilla de la parrilla. No utilice ningún utensilio de cocina.

FUNCIONAMIENTO DE LA PARRILLA

- 1 Encienda la ventilación.
- 2 Presione y gire la perilla de control en sentido opuesto a las manecillas del reloj hasta llegar a Hi (alto). El piloto hace el sonido característico hasta que se enciende el quemador.
- 3 El halo de luz alrededor del anillo se ilumina y permanece iluminado hasta que el quemador está apagado. Gire la perilla hasta llegar a la programación deseada.
- 4 Deje que se precaliente la parrilla durante 10 minutos.

Plancha

⚠ PRECAUCIÓN

Retire todas las cubiertas de acero inoxidable y las tablas de picar antes de usar.

La plancha infrarroja está controlada por termostato para mantener una temperatura constante.

Para evitar que los alimentos se peguen, es necesario "preparar" la plancha antes de usarla.

Preparación de la plancha:

- 1 Encienda la ventilación.
- 2 Limpie cuidadosamente con agua caliente y un detergente suave. Enjuague y seque con un paño suave.
- 3 Presione y gire la perilla de control en sentido opuesto a las manecillas del reloj hasta llegar a 350 °F (175 °C) y caliente durante 30 minutos. Una vez transcurridos los 30 minutos, gire la perilla a Off (apagado) y deje que se enfríe la superficie.
- 4 Cuando la superficie esté ligeramente caliente, vierta una pequeña cantidad de aceite de maní o vegetal en una toalla de papel y extiéndala uniformemente.
- 5 Presione y gire la perilla de control a 350 °F (175 °C). Caliente hasta que la plancha empiece a sacar humo, luego gire la perilla a Off (apagado) y deje que se enfríe la superficie. Una vez que enfríe, limpie el exceso de aceite.

FUNCIONAMIENTO DE LA PLANCHA

- 1 Encienda la ventilación.
- 2 Presione y gire la perilla de control en sentido opuesto a las manecillas del reloj hasta la temperatura deseada. El piloto hace el sonido característico hasta que se enciende el quemador. La plancha doble tiene controles independientes para cada lado.
- 3 El halo de luz alrededor del anillo se ilumina hasta que la plancha alcanza la temperatura establecida. La luz encenderá y apagará por ciclos a medida que se necesite más calor para mantener la temperatura programada.

Encimera francesa

⚠ PRECAUCIÓN

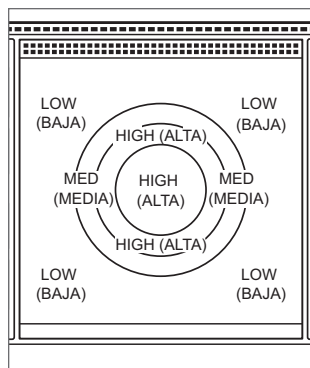
Retire todas las cubiertas de acero inoxidable y las tablas de picar antes de usar.

La encimera francesa (French top) es una superficie de cocción graduada con la temperatura más alta debajo de la placa central. Use siempre utensilios de cocina. No cocine los alimentos directamente sobre la superficie. Para más calor de cocción, coloque los utensilios más cerca del centro y para menos calor, más cerca de los bordes. Consulte la siguiente ilustración.

Para proteger la superficie contra las salpicaduras de alimentos y la humedad, es necesario "preparar" la encimera francesa antes de utilizarla.

Preparación de la encimera francesa:

- 1 Encienda la ventilación.
- 2 Limpie cuidadosamente con agua caliente y detergente suave. Enjuague y seque con un paño suave.
- 3 Presione y gire la perilla de control en sentido opuesto a las manecillas del reloj hasta llegar a Hi (alto) y caliente durante 30 minutos. Una vez transcurridos los 30 minutos, gire la perilla a Off (apagado) y deje que se enfríe la superficie.
- 4 Cuando la superficie esté ligeramente caliente, vierta una pequeña cantidad de aceite de mani o vegetal en una toalla de papel y extienda uniformemente. Una vez que enfríe, limpie el exceso de aceite.



Zonas de calentamiento de la encimera francesa

FUNCIONAMIENTO DE LA ENCIMERA FRANCESA

- 1 Encienda la ventilación.
- 2 Presione y gire la perilla de control en sentido opuesto a las manecillas del reloj hasta llegar a Hi (alto). El piloto hace el sonido característico hasta que se enciende el quemador.
- 3 El halo de luz alrededor del anillo se ilumina y permanece iluminado hasta que la encimera francesa está apagada.
- 4 Deje que se precaliente la encimera durante 30 minutos.

⚠ PRECAUCIÓN

Nunca deje cacerolas desatendidas en una zona de alta temperatura. Tenga cuidado al cocinar los alimentos en grasa o aceite, estos pueden calentarse lo suficiente como para incendiarse.

PLACA CENTRAL

El quemador de la encimera francesa se encuentra debajo de la placa central. Para retirarlo, utilice el gancho de la placa central proporcionados con la estufa tal y como se muestra en la ilustración. Nunca retire la placa central durante la cocción.



Remoción la placa central

Recomendaciones para el cuidado

LIMPIEZA

Acero inoxidable	Utilice un limpiador no abrasivo para acero inoxidable y aplique con un paño suave que no deje pelusa. Para resaltar el lustre natural, limpie suavemente la superficie con una tela de microfibra humedecida con agua y, luego, pule en seco con una gamuza. Siempre siga la dirección del acabado de acero inoxidable.
Recubrimiento en polvo	Utilizando un paño húmedo, limpie con un detergente suave; enjuague y deje secar.
Rejillas del horno y guías de las rejillas	Retire y coloque sobre una superficie plana cerca del fregadero. Límpielas con agua caliente y un detergente suave o con pasta de bicarbonato de sodio y agua. No sumerja en agua. Seque con una toalla.
Parrillas del quemador	Retire y coloque sobre una superficie plana cerca del fregadero. Límpielas con agua caliente y un detergente suave o con pasta de bicarbonato de sodio y agua. Seque con una toalla.
Bandeja del quemador	Retire los desechos de la superficie antes de limpiarla para agilizar el proceso de limpieza y disminuir las posibilidades de rayar la superficie. Utilizando limpiadores ligeramente abrasivos o desengrasantes en aerosol, limpie y enjuague la superficie y séquela de inmediato para evitar que se raye. Utilice vinagre blanco y agua para limpiar las manchas ocasionadas por el agua con alto contenido de minerales. Enjuague y seque de inmediato.
Quemadores superiores	Deje que se enfríe. Límpielas con detergente suave o desengrasante en aerosol. Enjuague con agua y seque con una toalla.
Parrilla	Una vez que termine de cocinar, deje encendida la parrilla durante 10 minutos. El fuego alto ayudará a quemar el exceso de partículas de alimentos. Una vez que la rejilla se enfríe, retírela y colóquela en el fregadero. Cúbrala con toallas de cocina húmedas y vierta agua sobre ella para aflojar los residuos. Limpie con jabón y una almohadilla abrasiva. Enjuague y seque.
Plancha	Raspe la grasa en la bandeja de recolección de grasa después de cada uso. Cuando la superficie se haya enfriado, límpiela con papel absorbente para retirar el exceso de grasa o aceite. Después de cada uso, vuelva a aplicar una pequeña cantidad de aceite de maní o vegetal en una toalla de papel y extienda uniformemente. De vez en cuando, retire la preparación. Vierta ½ taza (120 ml) de agua tibia y 1 cucharadita (5 ml) de limpiador para plancha sobre la plancha y raspe la grasa en la bandeja de recolección de grasa, y después vacíela. Una vez que esté seca, vuelva a aplicar una pequeña cantidad de aceite para prepararla.
Encimera francesa	Limpie toda la superficie después de cada uso cuando aún esté ligeramente caliente. Limpie con detergente suave y agua. Enjuague y seque. Después de cada uso, vuelva a aplicar una pequeña cantidad de aceite de maní o vegetal en una toalla de papel y extienda uniformemente. De vez en cuando, retire la preparación. Aplique una pequeña cantidad de vinagre blanco y agua a la superficie cuando aún se encuentre ligeramente caliente. Frote y repita hasta que haya retirado todo el exceso de aceite. Vuelva a aplicar una pequeña cantidad de aceite para prepararla.
Perillas de control	Utilizando un paño húmedo, límpielas con detergente suave o desengrasante en aerosol; enjuague y deje secar. No coloque en el lavavajillas.
Panel de control	Pulse y mantenga Lock (bloqueo) durante tres segundos para bloquear el panel de control. Utilice desengrasante en aerosol para retirar las marcas de los dedos y los residuos de alimentos. Rocíe el producto en un paño antes de limpiar el panel. AVISO IMPORTANTE: No aplique limpiadores directamente sobre el panel de control.
Interior del horno	AVISO IMPORTANTE: Quite cualquier residuo de comida (especialmente azúcares, ácidos y salsas hechas con tomate) cuando el interior del horno pueda tocarse con seguridad. Algunas manchas son permanentes, pero no deberán afectar la función de la porcelana. Antes de activar la función de limpieza, retire suavemente con un cuchillo los restos de alimentos adheridos a la cavidad y la puerta del horno. Para eliminar manchas difíciles, aplique un limpiador ligeramente abrasivo o desengrasante en aerosol y frótelo con una esponja Scotch-Brite™ cero rayones (rosa o azul). Lave toda la cavidad del horno con jabón y agua para remover los químicos de limpieza antes de iniciar el modo de limpieza. Si no se retiran los residuos de la cavidad, es posible que la porcelana se desgaste por corrosión. Una vez que el ciclo de limpieza haya terminado, deje enfriar el horno por completo y limpie la ceniza con un paño húmedo.
Parrilla para asar	Para limpiar la rejilla, utilice detergente suave y un estropajo. Enjuague y seque. Para limpiar la parrilla, deseche la grasa y lave con agua caliente y detergente suave. Enjuague y seque.

Resolución de problemas

FUNCIONAMIENTO

La estufa no funciona.

- Compruebe si la máquina está encendida.
- Compruebe que la corriente eléctrica a la estufa y el disyuntor de la casa estén encendidos.
- El horno se apaga automáticamente después de 12 horas de uso continuo, excepto en los modos de deshidratación o Sabbath.

El reloj se apaga.

- La unidad está en el modo de energía en espera. Consulte la página 11 para desactivar la alimentación en espera.

HORNO

Problemas con la temperatura del horno.

- Comuníquese con la línea de atención al cliente de Wolf al 800-222-7820.

No se visualiza la perilla de control del horno.

- Retire y vuelva a instalar la perilla. Apague el interruptor de circuito durante 20 segundos, después vuelva a encenderlo.

El panel de control no responde.

- Apague el interruptor de circuito durante 20 segundos, después vuelva a encenderlo.

Se visualiza "SAb" en la perilla de control del horno.

- La unidad está en el modo Sabbath (★ mostrado en el panel de control), consulte la página 17.

En el panel de control se visualiza error.

- Póngase en contacto con el servicio certificado de fábrica de Wolf.

El horno hace "pop" o "bang" durante el precalentamiento o el enfriamiento.

- Eso es normal debido a la expansión y contracción de la nueva cavidad del horno.
- Ejecute el ciclo de limpieza. Si persiste, contacte a Atención al Cliente de Wolf en el 800-222-7820.

La puerta del horno está bloqueada.

- La puerta del horno se bloqueará y permanecerá bloqueada hasta que el ciclo de limpieza termine y la temperatura del horno sea inferior a 550°F (290°C).

SUPERFICIE DE LA ESTUFA

Llama errática, encendido inadecuado o no enciende.

- Compruebe que las tapas de los quemadores estén colocadas correctamente.
- Limpie bien el quemador y el piloto.
- Si se derramó agua recientemente, deje que el área seque por completo. Utilice una secadora de cabello si así lo desea.
- Empuje la perilla hacia adentro, luego suéltela. Compruebe que la perilla regrese a su posición original.

Resolución de problemas

SERVICIO

- Para mantener la calidad incorporada en su producto, póngase en contacto con el servicio certificado de fábrica de Wolf. Para conocer los datos del centro de servicio certificado de fábrica de Wolf más cercano, consulte la sección de servicio técnico en nuestro sitio web, wolfappliance.com o bien, llame a la línea de atención al cliente de Wolf al 800-222-7820.
- Cuando se comunique con el servicio, necesitará el modelo y el número de serie de su producto. Los dos números aparecen en la placa de datos del producto. Consulte en la página 6 la ubicación de la placa de datos.
- Para fines de la garantía, también necesitará la fecha de instalación y el nombre de su distribuidor autorizado de Wolf. Esta información debe estar registrada en la página 2 de este manual.

Sub-Zero, Sub-Zero & Design, Sub-Zero & Snowflake Design, Dual Refrigeration, The Living Kitchen, Great American Kitchens The Fine Art of Kitchen Design, Wolf, Wolf & Design, Wolf Gourmet, W & Design, red colored knobs (perillas de color rojo), Cove y Cove & Design son marcas registradas y marcas de servicio de Sub-Zero Group, Inc. y sus filiales. Todas las demás marcas registradas son propiedad de sus dueños respectivos en Estados Unidos y otros países.

Garantía limitada residencial de Wolf Appliance

PARA USO RESIDENCIAL

GARANTÍA COMPLETA DE DOS AÑOS*

Durante dos años a partir de la fecha de la instalación original, la garantía de su producto Wolf Appliance cubre todas las piezas y mano de obra para reparar o cambiar, de acuerdo con el uso residencial normal, cualquier pieza del producto que se compruebe que está defectuosa en material o mano de obra. Todos los servicios proporcionados por Wolf Appliance bajo la garantía anterior deben ser ejecutados por servicios certificados de fábrica de Wolf, a menos que Wolf Appliance, Inc. lo especifique de otra manera. El Servicio se hará durante el horario comercial normal.

GARANTÍA LIMITADA DE CINCO AÑOS

Durante cinco años a partir de la fecha de la instalación original, Wolf Appliance reparará o cambiará los siguientes componentes que se comprueben que están defectuosos en material o mano de obra: quemadores de gas (excluyendo la apariencia), elementos eléctricos de calentamiento, motores de sopladores (campanas de ventilación), módulos de control eléctrico, tubos magnetrón y generadores de inducción. Si el propietario utiliza el servicio certificado de fábrica de Wolf, el prestador del servicio reparará o reemplazará estas partes mediante el pago de todos los otros costos, incluyendo mano de obra, a cargo del propietario. Si el propietario usa un servicio no certificado, debe ponerse en contacto con Wolf Appliance, Inc. (mediante la información anotada más adelante) para recibir los componentes reparados o de cambio. Wolf Appliance no reembolsará al propietario los importes correspondientes a los componentes comprados a un servicio no autorizado o a otras fuentes.

TÉRMINOS APLICABLES A CADA GARANTÍA

La garantía se aplica solamente a los productos instalados para uso residencial normal. La garantía se aplica solamente a los productos instalados en cualquiera de los cincuenta estados de Estados Unidos, el Distrito de Columbia o las diez provincias de Canadá. Esta garantía no cubre las partes o mano de obra para corregir cualquier defecto causado por negligencia, accidente o uso, mantenimiento, instalación, servicio o reparación inadecuados.

LOS RECURSOS DESCRITOS ANTERIORMENTE PARA CADA GARANTÍA SON LOS ÚNICOS QUE WOLF APPLIANCE, INC. PROPORCIONARÁ, YA SEA BAJO ESTA GARANTÍA O BAJO CUALQUIER GARANTÍA QUE RESULTE DE LA APLICACIÓN DE LA LEY. WOLF APPLIANCE, INC. NO SE HACE RESPONSABLE POR LOS DAÑOS INDIRECTOS O INCIDENTALES DERIVADOS DEL INCUMPLIMIENTO DE ESTA GARANTÍA O CUALQUIER OTRA GARANTÍA, YA SEA EXPRESA, IMPLÍCITA O LEGAL.

Algunos estados no permiten la exclusión o limitación de daños fortuitos o imprevistos, por lo que la limitación o exclusión anterior podría no aplicarse a su caso. Esta garantía le otorga derechos legales específicos y usted también puede tener otros derechos legales que varían entre estados.

Para recibir las partes o el servicio y el nombre del servicio certificado de fábrica de Wolf más cercano a usted, póngase en contacto con Wolf Appliance, Inc., P.O. Box 44848, Madison, WI 53744; eche un vistazo a la sección de soporte del producto en nuestro sitio web, wolfappliance.com, envíenos un correo electrónico a customerservice@subzero.com o llame al 800-222-7820.

*Las puertas, paneles, manijas, estructuras y superficies internas de acero inoxidable están cubiertas por una garantía limitada de 60 días sobre piezas y mano de obra, por defectos estéticos.

*Los filtros de repuesto para los kits de circulación de la campana de ventilación no están cubiertos por la garantía del producto.



Table des matières

- 3** Précautions de sécurité
- 6** Caractéristiques de la cuisinière mixte
- 7** Fonctionnement du four
- 18** Guide de cuisson Wolf
- 21** Fonctionnement de la surface
- 24** Conseils d'entretien
- 25** Dépannage
- 27** Garantie Wolf

REMARQUE IMPORTANTE : Tout au long de ce guide, les dimensions entre parenthèses sont en millimètres à moins d'indication contraire.

Service à la clientèle

Le numéro de modèle et le numéro de série sont imprimés sur la fiche d'enregistrement du produit ci-jointe. Les deux numéros sont aussi indiqués sur la plaque signalétique du produit. Reportez-vous à la page 6 pour connaître l'emplacement de la plaque signalétique. Pour les besoins de la garantie, vous devrez aussi avoir la date d'installation et le nom de votre dépositaire Wolf autorisé. Inscrivez ces renseignements ci-dessous pour consultation ultérieure.

RENSEIGNEMENTS SUR LE SERVICE

Numéro de modèle

Numéro de série

Date de l'installation

Nom du service certifié

Numéro du service certifié

Dépositaire autorisé

Numéro du dépositaire

Si votre produit a besoin d'être réparé, assurez-vous d'utiliser un fournisseur de service certifié par l'usine Wolf recommandé par notre centre de service à la clientèle, ou sélectionnez-en un parmi la liste de fournisseurs disponibles à wolfappliance.com/locator. Tous les fournisseurs de service certifiés par l'usine sont soigneusement sélectionnés et rigoureusement formés par nous.

Remarque importante

Pour s'assurer que ce produit est installé et utilisé en toute sécurité et aussi efficacement que possible, prenez note des types de renseignement mis en évidence tout au long de ce guide :

REMARQUE IMPORTANTE met en évidence des renseignements qui sont particulièrement importants.

⚠ MISE EN GARDE

Indique une situation où une blessure mineure ou des dommages au produit peuvent se produire si les directives ne sont pas respectées.

⚠ AVERTISSEMENT

Décrit un danger qui peut causer une blessure grave ou la mort si les précautions ne sont pas respectées.

DIRECTIVES IMPORTANTES

⚠ AVERTISSEMENT

Si les renseignements se trouvant dans ce manuel ne sont pas respectés à la lettre, un incendie ou une explosion peuvent se produire causant ainsi des dommages matériels, des blessures ou la mort.

Ne rangez pas et n'utilisez pas de l'essence ou d'autres vapeurs ou liquides inflammables à proximité de cet appareil ou de tout autre appareil.

QUOI FAIRE SI VOUS SENTEZ DU GAZ :

- Ne tentez pas d'allumer un appareil.
- Ne touchez pas aux commutateurs électriques.
- N'utilisez pas les téléphones se trouvant dans votre édifice.
- Communiquez immédiatement avec votre fournisseur de gaz en utilisant le téléphone d'un voisin. Suivez les directives du fournisseur de gaz. Si vous ne pouvez pas joindre votre fournisseur de gaz, communiquez avec les pompiers.

Cet appareil doit être correctement installé et réparé par un installateur qualifié, une agence de service ou un fournisseur de gaz et mis à la terre par un technicien qualifié.

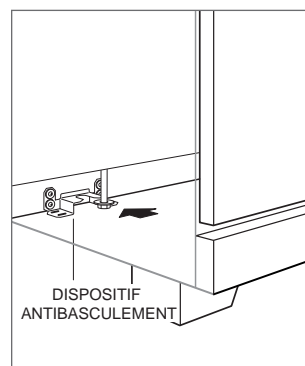
⚠ AVERTISSEMENT

Un enfant ou un adulte peuvent faire basculer cet appareil et être tués.

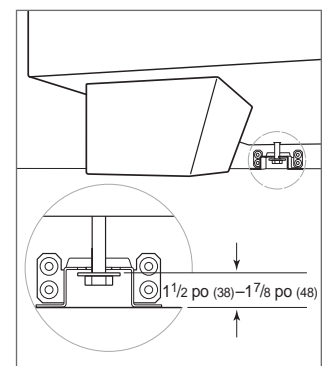
Vérifiez que le dispositif antibasculement est correctement installé et enclenché. Assurez-vous que le dispositif antibasculement est enclenché à nouveau lorsque l'appareil est déplacé. Reportez-vous aux illustrations ci-dessous pour savoir comment vérifier l'installation.

Ne faites pas fonctionner cet appareil sans que le dispositif antibasculement ne soit en place et enclenché. Le non-respect de cette directive peut entraîner la mort ou des brûlures graves aux enfants ou aux adultes.

Pour réduire le risque de brûlure, ne déplacez pas cet appareil lorsqu'il est chaud.



Emplacement du dispositif antibasculement



Dispositif antibasculement enclenché

DIRECTIVES IMPORTANTES

PRÉCAUTIONS DE SÉCURITÉ GÉNÉRALE

- Lisez ce guide attentivement avant d'utiliser cet appareil afin de réduire le risque d'incendie, de choc électrique ou de blessures.
- Avant d'effectuer tout service, coupez l'alimentation en gaz en fermant le robinet d'arrêt du gaz et coupez l'alimentation en électricité vers l'appareil.
- Gardez la zone de l'appareil propre et libre de matériaux combustibles.
- Pour une question de sécurité lorsque vous cuisinez, réglez les commandes du brûleur de manière à ce que la flamme ne se prolonge pas au-delà du fond du chaudron.
- Faites attention lorsque vous ouvrez la porte du four. Laissez l'air chaud ou la vapeur s'échapper avant de regarder ou de mettre les bras dans le four.
- N'installez pas un système de ventilation qui souffle de l'air vers le bas vers cet appareil de cuisson au gaz. Ce type de système de ventilation peut causer des problèmes d'allumage et de combustion avec cet appareil de cuisson au gaz, ce qui pourrait entraîner des blessures ou un fonctionnement imprévu.
- N'utilisez pas du papier en aluminium pour couvrir toute partie de cet appareil.
- N'utilisez jamais cet appareil pour réchauffer ou chauffer la pièce. Cela peut causer un empoisonnement au monoxyde de carbone.
- Assurez-vous que l'admission d'air frais du four (au-dessus de la porte) et le conduit de sortie du four (sous la porte) soient dégagés en tout temps.
- Ne touchez pas la cuisinière et la zone environnante, ni ne laissez vos vêtements ou autres matériaux combustibles entrer en contact avec elles avant qu'elles n'aient suffisamment refroidi. Ces zones pourraient devenir suffisamment chaudes pour provoquer des brûlures.
- Portez des vêtements appropriés. Des vêtements lâches ou pendants ne doivent jamais être portés lorsque vous utilisez cet appareil.
- Faites extrêmement attention lorsque vous déplacez une marmite de graisse ou jetez de la graisse chaude.
- Utilisez toujours des poignées sèches pour retirer des casseroles de cet appareil. Des poignées mouillées ou humides peuvent causer des brûlures de vapeur. N'utilisez pas une serviette ou un chiffon épais au lieu de poignées.
- Placez les grilles du four aux endroits désirés lorsque le four est froid. Si une grille doit être déplacée et que le four est déjà chaud, assurez-vous que les poignées n'entrent pas en contact avec un élément chauffant chaud du four.
- Nettoyez seulement les pièces indiquées dans ce guide.
- N'utilisez pas de nettoyeurs pour le four. Aucun nettoyeur pour le four commercial ni aucun revêtement protecteur de toute sorte ne doivent être utilisés dans le four ou autour de ses pièces.
- Avant d'utiliser la fonction auto-nettoyage, retirez les grilles du four, les guides de grille et tout autre ustensile de cuisson.
- Ne réparez pas et ne remplacez pas toute pièce de cet appareil à moins que cela ne soit spécifiquement recommandé dans la documentation accompagnant l'appareil.
- Ne bloquez pas le débit d'air pour assurer une combustion et une ventilation appropriées.
- Lorsque vous utilisez cet appareil, ne touchez pas aux grilles, aux capuchons de brûleur, aux bases des brûleurs ou à toute autre partie à proximité de la flamme. Ces pièces peuvent être assez chaudes pour causer des brûlures.

DIRECTIVES IMPORTANTES

PRÉCAUTIONS DE SÉCURITÉ GÉNÉRALE

- Ne nettoyez pas le joint du four; le frottage ou le déplacement du joint peuvent compromettre l'étanchéité de la porte.
- N'utilisez pas de l'eau sur les incendies de graisse. Éteignez la flamme ou utilisez un extincteur à poudre chimique ou à mousse.
- Ne touchez pas aux éléments chauffants ou aux surfaces intérieures du four. Les éléments de chauffage peuvent être chauds même s'ils sont de couleur foncée. Les surfaces intérieures deviennent assez chaudes pour causer des brûlures. Pendant et après l'utilisation, ne touchez pas et ne laissez pas les vêtements ou d'autres matériaux inflammables entrer en contact avec les éléments chauffants ou les surfaces intérieures du four avant qu'ils n'aient eu suffisamment de temps pour se refroidir.
- Ne laissez jamais cet appareil sans surveillance lorsqu'il fonctionne. Les débordements par bouillonnement et les renversements de graisse peuvent créer de la fumée ou s'enflammer.
- Ne laissez pas des enfants seuls ou sans surveillance dans la zone où cet appareil est utilisé. Ne laissez jamais des enfants s'asseoir ou se tenir debout sur l'appareil.
- Ne rangez pas des articles intéressants pour les enfants au-dessus ou à l'arrière de cet appareil puisqu'ils pourraient grimper sur l'appareil pour les atteindre et se blesser.
- Ne chauffez pas des contenants d'aliment non ouverts, comme les pots et les boîtes de nourriture pour bébé. L'accumulation de pression peut faire éclater le contenant et causer des blessures.
- Ne rangez pas des matériaux inflammables près des brûleurs et ne laissez pas de la graisse ou d'autres substances inflammables s'accumuler sur la surface de cuisson.

▲ AVERTISSEMENT

PROPOSITION 65 POUR LES RÉSIDENTS DE LA CALIFORNIE


**Cause le cancer et des troubles reproductifs—
www.P65Warnings.ca.gov**

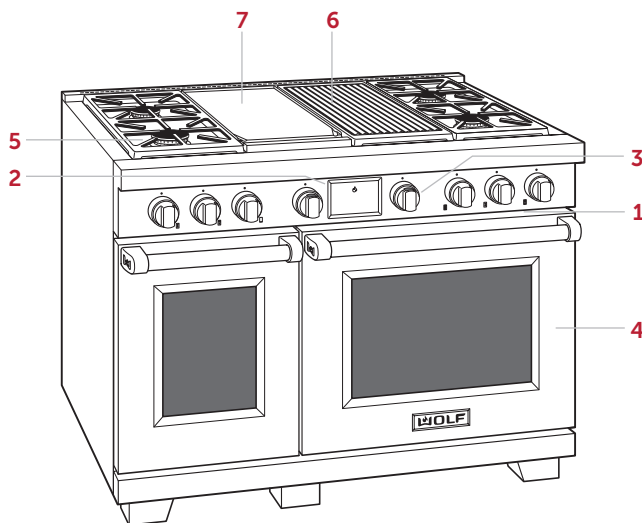
COMMONWEALTH DU MASSACHUSETTS

- Les installations et les réparations doivent être effectuées par un entrepreneur ou un plombier qualifié ou autorisé ou par un monteur d'installation de gaz qualifié ou autorisé par l'État, la province ou la région où cet appareil sera installé.
- Utilisez seulement des robinets d'arrêt du gaz approuvés pour utilisation dans l'État, la province ou la région où cet appareil sera installé.
- Si un connecteur de gaz souple est utilisé, il ne doit pas dépasser 0,9 m de longueur.

Caractéristiques de la cuisinière mixte

CARACTÉRISTIQUES

1	Plaque signalétique du produit
2	Panneau de commande (appuyez sur  pour y accéder)
3	Bouton et cadran de commande du four
4	Four à convection
5	Brûleur de surface
6	Grilloir au charbon de bois en option
7	Plaque à frire en option
8	Table de cuisson française en option (non illustrée)



Cuisinière mixte de 48 po illustrée

Comment commencer

Nous savons que vous êtes impatient de commencer à cuisiner, mais avant de le faire, veuillez prendre quelques instants pour lire ce guide d'utilisation et d'entretien. Que vous soyez un cuisinier occasionnel ou un chef expert, il vous sera bénéfique de vous familiariser avec les pratiques de sécurité, les caractéristiques, le fonctionnement et les recommandations d'entretien de votre cuisinière mixte de Wolf.

- Pour s'assurer que toute l'huile résiduelle du processus de fabrication a été enlevée, nettoyez la cuisinière à fond avec de l'eau chaude et un détergent doux avant de l'utiliser. Rincez et séchez avec un chiffon doux. Reportez-vous aux recommandations d'entretien à la page 24.
- Vérifiez que les composants des brûleur de la surface sont correctement assemblés.
- Le grilloir au charbon de bois, la plaque à frire et la table de cuisson française en option nécessitent une attention spéciale. Reportez-vous aux pages 22 et 23.
- Pour obtenir les meilleurs résultats, examinez les modes de cuisson et les caractéristiques spéciales à la page 13.

⚠ MISE EN GARDE

Ne placez pas des casseroles dans le fond du four et n'utilisez pas du papier d'aluminium ou d'autres matériaux pour couvrir le fond ou les parois du four. Le non-respect de cet avis endommagera l'intérieur en porcelaine et annulera votre garantie.

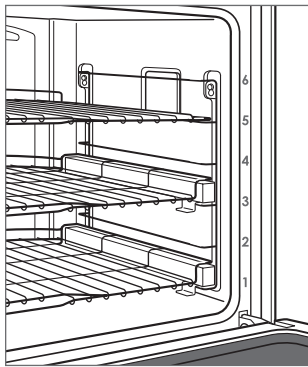
Grilles du four

POSITION DE LA GRILLE DU FOUR

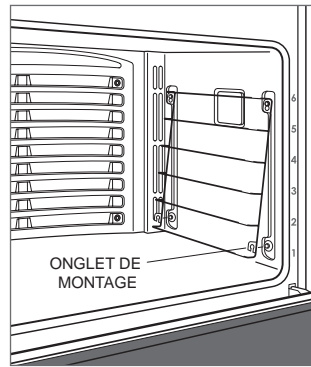
Les grilles du four peuvent être placées dans l'une des six positions indiquées sur la face avant du four. Reportez-vous à l'illustration ci-dessous.

GUIDES DE GRILLE DU FOUR

Pour insérer les guides de grille dans le four, repérez les vis de montage sur les parois latérales. Placez les onglets de montage du guide de grille sur les vis supérieures, pivotez vers l'intérieur et glissez vers le bas jusqu'à ce qu'il soit bien appuyé. Reportez-vous à l'illustration ci-dessous.



Position de la grille du four

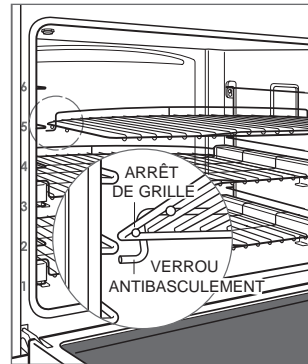


Guide de grille du four

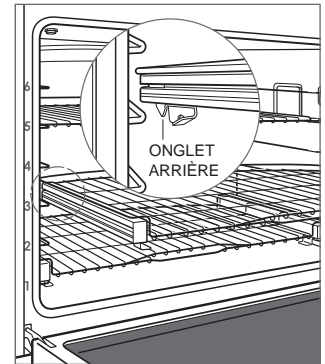
GRILLES DU FOUR

Pour insérer une grille standard dans le four, placez le verrou antibasculement de la grille sous les rails latéraux du guide de grille. Glissez la grille vers l'arrière et soulevez-la pour contourner les arrêts de grille. Continuez à glisser la grille vers l'arrière jusqu'à ce qu'elle soit complètement à l'intérieur du four. Reportez-vous à l'illustration ci-dessous.

Pour insérer une grille à extension complète, placez les deux onglets arrière sur le guide de grille (un onglet au-dessus et un onglet en-dessous). Reportez-vous à l'illustration ci-dessous. Inclinez la grille légèrement et glissez-la vers l'arrière jusqu'à ce que l'encoche de grille avant enclenche le guide de grille avant.



Verrouillage antibasculement de grille du four



Grille à extension complète

Fonctionnement du four

Les cuisinières mixtes de Wolf utilisent un panneau de commande tactile interactif, un cadran sélecteur de mode de cuisson et un bouton de commande de température du four pour sélectionner les modes de cuisson voulus, la température du four et les fonctions exclusives. Le panneau de commande doit être ouvert pour accéder au mode Gourmet (gastronomique) et aux fonctions exclusives.

Le four possède dix modes de cuisson—cuisson, rôtissage, grillage, rôtissage par convection, convection, gastronomique, apprêt, pierre de cuisson, déshydratation et garder au chaud. La pierre de cuisson n'est pas offerte avec le four de 18 po (457). Les modes pierre de cuisson et déshydratation nécessitent des accessoires.

Pour commencer à cuisiner :

Mettez le cadran sélecteur au mode de cuisson désiré. --- s'affiche sur l'écran du bouton du four.

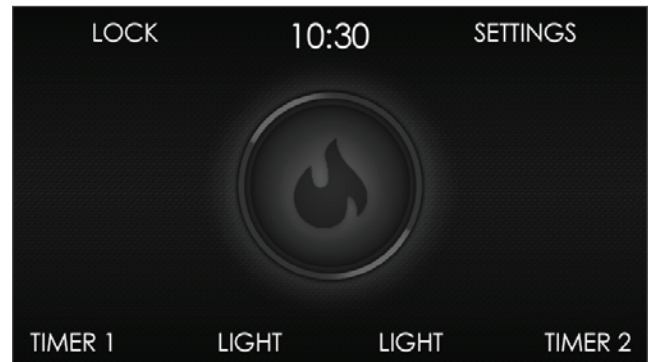
- 1 Tournez le bouton de commande pour augmenter ou réduire la température ou touchez à Start (mise en marche) sur le panneau de commande. L'une ou l'autre des actions termine la seconde étape du processus et commence le préchauffage.

Pour les modes Bake (cuisson), Roast (rôtissage), Broil (grillage), Convection Roast (rôtissage par convection), Convection, Gourmet (gastronomique) et Stone (pierre de cuisson), une légère rotation du bouton de commande ajuste la température de 5 °F (1 °C). Une rotation complète ajuste la température de 25 °F (5 °C). Pour les modes Proof (apprêt), Dehydrate (déshydratation) et Warm (garder au chaud), une légère rotation du bouton de commande ajuste la température d'un degré Fahrenheit. Une rotation complète ajuste la température de 5 °F (1 °C).

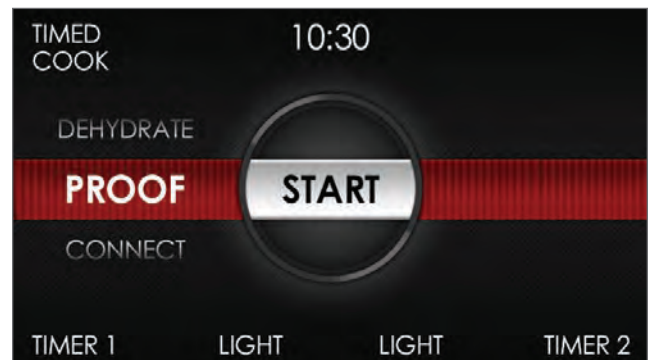


Bouton et panneau de commande du four

Le panneau de commande interactif utilise la technologie tactile pour sélectionner les modes de cuisson et les autres fonctions. Reportez-vous aux illustrations ci-dessous.



Écran d'accueil (four double illustré)



Autre écran (four double illustré)




Écran gastronomique

Fonctionnement du four

AVANT L'UTILISATION

Pour s'assurer que toute l'huile résiduelle du processus de fabrication ait été éliminée, chaque four doit subir la procédure suivante :

- 1 Nettoyez le four à fond avec de l'eau chaude et un détergent doux. Rincez et séchez avec un chiffon doux.
- 2 Mettez la ventilation en marche. Il est normal de voir de la fumée et de sentir une odeur.
- 3 Pivotez le cadran sélecteur à  Roast (rôtissage par convection) et réglez la température à 500 °F (260 °C) pendant une heure.
- 4 Pivotez le cadran jusqu'à Off (arrêt) et laissez le four se refroidir en gardant la porte fermée.

VERROUILLAGE DES COMMANDES

La fonction de verrouillage des commandes empêche le fonctionnement non désiré du panneau de commande. La fonction de verrouillage doit être réinitialisée après une panne de courant.

Pour verrouiller ou déverrouiller :

- 1 Touchez et tenez la touche Lock (verrou) pendant trois secondes.

LUMIÈRE DU FOUR

La lumière du four s'allume automatiquement lorsque la porte est ouverte et s'éteint lorsqu'elle est fermée. Pour allumer la lumière lorsque la porte est fermée, touchez à Light sur le panneau de commande.

PRÉCHAUFFAGE

Durant le préchauffage, le four se chauffe aussi rapidement et uniformément que possible et il n'est pas à son meilleur pour la cuisson. Le préchauffage doit être utilisé pour tous les modes de cuisson, sauf grillage, apprêt, déshydratation, garder au chaud et certains modes gastronomiques. Une fois le préchauffage terminé, une sonnerie indique que le four a atteint la température de réglage.

Fonctionnement du four

HORLOGE

L'horloge est visible sur le panneau de commande dans tous les modes de cuisson. Il est très important que l'horloge soit réglée à la bonne heure pour utiliser une fonction de cuisson minutée. L'horloge doit être réinitialisée après une panne de courant.

L'horloge se règle automatiquement si l'unité est reliée au Wi-Fi. Reportez-vous à la section Établir la connexion de cet appareil à la page 11.

Réglage de l'horloge :


- 1 Touchez à Settings (paramètres), puis sélectionnez Time (heure).
- 2 Choisissez le mode de 12 heures ou de 24 heures.
- 3 Utilisez la glissière pour régler l'heure du jour, sélectionnez AM ou PM, puis touchez à Set (régler). Une sonnerie indique que l'horloge a été réglée.

L'heure peut aussi être réglée en touchant à l'affichage de l'heure sur l'écran d'accueil.

MINUTERIE

Chaque minuterie peut être réglée pour une période maximale de 11 heures et 59 minutes. Une fois la durée réglée, le décompte s'illumine sur l'écran du panneau de commande. La minuterie est indépendante du four. Le réglage de la minuterie n'affecte pas la durée de cuisson ou l'heure d'arrêt.

Réglage de la minuterie :

- 1 Touchez à Timer 1 (minuterie 1) ou à Timer 2 (minuterie 2).
- 2 Utilisez la glissière pour régler la durée, puis touchez à Set (régler). Une sonnerie indique que la minuterie a été réglée.
- 3 Pour modifier la minuterie, touchez le compte à rebours sur l'écran, puis utilisez les barres de défilement pour régler la durée.
- 4 Pour annuler la minuterie, touchez le compte à rebours sur l'écran, puis touchez .
- 5 La minuterie retentira lorsqu'il ne restera qu'une minute. La minuterie retentit et clignote lorsque la durée est terminée.
- 6 Touchez à l'heure qui clignote pour annuler.

Options supplémentaires

Touchez à Settings (paramètres) pour accéder aux options supplémentaires. Utilisez la glissière pour atteindre l'option voulue et touchez-y pour la sélectionner. Si vous avez besoin de renseignements supplémentaires, touchez à Info.

OPTIONS

Heure	Sélectionner 12 heures ou 24 heures.
Shabbath	Activez ou désactivez la fonction Shabbath.
Horloge	Sélectionnez l'affichage numérique, analogue, vide ou le logo.
Connexion	Active ou désactive la connexion.*
Veille	Activez ou désactivez l'alimentation de veille.
Langue	Sélectionnez : anglais, espagnol, français, italien, allemand, hollandais ou chinois.
Unités	°F/impérial ou °C/métrique.
Salle d'exposition	Pour utilisation dans les salles d'exposition seulement.
Info	Accédez à des conseils utiles et des renseignements sur le produit.
Au sujet	Pour le service seulement.
Décalage de température	Pour le service seulement.
Étalonnage	Règle l'étalonnage de l'affichage.
Son	Sourdine, 1 à 5, et élevé, moyen, faible.
Luminosité.	Règle la luminosité de l'affichage : 0 à 100 %.

*Pour vous connecter à l'appli Sub-Zero Group Owner, l'option connexion doit être activée.

Établir la connexion de cet appareil

Reliez cet appareil pour le surveiller et le contrôler à distance. La connexion nécessite un routeur sans fil, une connexion Internet avec un nom de réseau et son mot de passe, ainsi qu'un dispositif mobile compatible. Il n'y a pas de limite au nombre d'appareils que vous pouvez relier à un compte. Vous pouvez relier des produits de plusieurs résidences au même compte. Il n'est pas obligatoire de relier les appareils.

- 1 Téléchargez l'appli gratuite Sub-Zero Group Owner depuis l'App Store d'Apple ou Google Play.
- 2 Après avoir activé la fonction Bluetooth sur votre dispositif, placez-vous à une distance d'environ un mètre de l'appareil, ouvrez l'appli et suivez les directives qui apparaissent à l'écran.
- 3 Ouvrez une session ou créez un compte.
- 4 Tapez sur Add An Appliance (ajouter un appareil) ou tapez sur + dans le coin supérieur droit de l'écran pour ajouter des appareils électroménagers. Pour identifier l'appareil à relier, ouvrez sa porte.
- 5 Tapez sur + à côté de l'appareil pour le sélectionner. Si des appareils identiques apparaissent, une étape supplémentaire identifie l'appareil à relier.
- 6 Tapez sur Pair Via Bluetooth (relier par Bluetooth). Attendez que la configuration soit terminée, puis tapez sur Set Up Your Appliance For Pairing (configurer votre appareil pour la connexion).
- 7 Tapez sur Choose a Network (choisir un réseau) sur l'écran Connect Your Appliance to Wi-Fi (relier votre appareil au Wi-Fi).
- 8 Sélectionnez le réseau Wi-Fi résidentiel et saisissez le mot de passe du réseau.
- 9 Tapez sur Turn on Notifications (activer les notifications) pour permettre l'envoi de notifications au sujet de l'appareil (par exemple, si la porte a été laissée entrouverte).
- 10 Tapez sur Done (terminé) sur l'écran Success (réussite) pour terminer la configuration.

Modes de cuisson

GOURMET (GASTRONOMIQUE)

Le mode gastronomique fournit une variété de préparations de repas rapides et pratiques. Choisissez parmi six catégories—viande, poisson, produits de pâtisserie, pizza, légumes et repas dans un plat.

Après avoir effectué votre sélection, Gourmet (gastronomique) recommande la position de la grille, règle le mode de cuisson et ajuste automatiquement la température—parfois en utilisant plusieurs modes et températures. Reportez-vous aux instructions sur le panneau de commande pour déterminer si un préchauffage est nécessaire. Le four ne s'éteint pas automatiquement lorsque la durée de cuisson est terminée.

Pour de plus amples renseignements au sujet de la fonction Gourmet (gastronomique), reportez-vous aux techniques et au guide de recettes compris avec votre appareil ou visitez subzero-wolf.com/wolf-technique-guides.

Réglage des commandes :

- 1 Pivotez le cadran jusqu'à **G**.
- 2 Utilisez le panneau de commande pour sélectionner les paramètres voulus.

GUIDE GASTRONOMIQUE

VIANDE	Bœuf	steak, filet, rôti, côte de bœuf, pain de viande, rôti à feu doux
	Volaille	poulet entier, morceaux frais, poitrine complète
	Porc	côtes levées, filet, rôti, steak, côtelette, jambon entier
	Agneau	gigot, rôti, carré
POISSON	Steak	
	Filet	
	Pané	
PRODUITS DE PÂTISSERIE	Biscuits	
	Gâteau	en feuille, cannelé, aux anges, pound, petits gâteaux
	Tarte	croûte simple, croûte double
	Pain	pain éclair, pain à la levure, petits pains mollets à la levure, biscuits à la poudre levante
PIZZA*	Fraîche	
	De blé	
	Calzone	
LÉGUMES	Rôtis	
	Patate douce	
	Pomme de terre au four	
REPAS DANS UN PLAT	Casserole	
	Lasagne	
	Quiches	

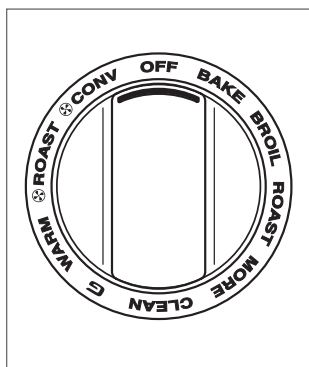
*Non offerte avec le four de 18 po (457).

Fonctionnement du four

Modes de cuisson

MODE	PRÉ-RÉGLAGE	ÉTENDUE	SONDE	UTILISATIONS
BAKE (CUISSON)	350 °F (175 °C)	200-550 °F (95-290 °C)	•	Idéal pour la cuisson sur une seule grille, surtout pour les aliments de boulangerie. À utiliser pour les recettes standards.
ROAST (RÔTISSAGE)	350 °F (175 °C)	200-550 °F (95-290 °C)	•	Idéal pour le rôtissage de coupes moins tendres de viande, comme les rôtis de palette et la viande à ragoût, qui doivent être couvertes.
BROIL (GRILLAGE)	BR3 550 °F (290 °C)	BR3 550 °F (290 °C) BR2 450 °F (230 °C) BR1 350 °F (175 °C)		Convient au grillage des morceaux de viande, de poisson et de volaille jusqu'à 2,5 cm d'épaisseur. Utilisez la lèchefrite à deux pièces et grillez toujours en gardant la porte du four fermée.
CONVECTION ROAST (RÔTISSAGE PAR CONVECTION)	325 °F (165 °C)	200-550 °F (95-290 °C)	•	Brunit légèrement l'extérieur et capte les jus à l'intérieur. Idéal pour rôtir des coupes tendres de bœuf, d'agneau, de porc et de volaille.
CONVECTION	325 °F (165 °C)	200-550 °F (95-290 °C)	•	Il est possible de cuire sur plusieurs grilles avec brunissage uniforme dans ce mode grâce au mouvement uniforme de l'air.
GOURMET (GASTRONOMIQUE)	—	—	•	Le mode gastronomique fournit des préparations rapides et pratiques de repas avec des recommandations pour le mode de cuisson et la position de la grille. Reportez-vous à la page 12. La température et l'étendue prédéfinies dépendent de l'aliment et du niveau de cuisson voulue.
PROOF (APPRÊT)	85 °F (30 °C)	85-110 °F (30-45 °C)		Idéal pour apprêter ou faire lever la pâte à pain.
STONE (PIERRE DE CUISSON)	450 °F (230 °C)	200-550 °F (95-290 °C)	•	Cuisson sur une pierre en céramique. Idéale pour les pizzas et le pain. La pierre de cuisson est requise.
DEHYDRATE (DÉSHYDRATATION)	135 °F (60 °C)	110-170 °F (45-75 °C)		Sèche une variété de fruits, de légumes, d'herbes et de bandes de viande. Des grilles accessoires sont requises.
WARM (GARDER AU CHAUD)	180 °F (80 °C)	140-200 °F (60-95 °C)	•	Conçu pour garder les aliments à la température de service.

REMARQUE : La sonde de température peut être utilisée avec tous les modes de cuisson, sauf grillage, apprêt et déshydratation.



Cadran sélecteur du bouton du four

Sonde de température

Utilisez uniquement la sonde de température expédiée avec cet appareil. Reportez-vous à l'illustration ci-dessous. La sonde de température mesure la température interne des aliments pendant la cuisson. La sonde peut être utilisée pour surveiller la température sans devoir régler une température voulue et elle peut être utilisée avec tous les modes de cuisson, sauf grillage, apprêt et déshydratation.

Réglage des commandes :

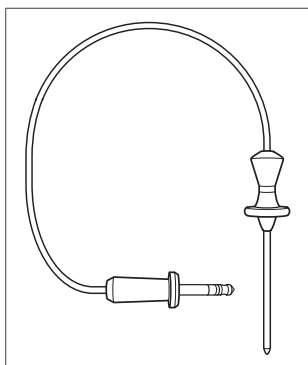
- 1 Préchauffez le four à la température de four voulue dans le mode choisi.
- 2 Insérez complètement la sonde dans la zone la plus épaisse de l'aliment.
- 3 Lorsque le préchauffage est terminé, mettez l'aliment dans le four.
- 4 Insérez la sonde dans la prise de la sonde. Reportez-vous à l'illustration ci-dessous. Fermez la porte du four.
- 5 Touchez à Probe (sonde).
- 6 Touchez à Set (régler) pour sélectionner la température pré-réglée. Pour modifier la température, utilisez le bouton de commande pour sélectionner la température désirée, puis touchez à Set (régler).
- 7 Une sonnerie indique que la température est de 5 °F (1 °C) sous la température réglée. Le four retentit et la température réglée clignote lorsque la température interne a atteint le point de réglage.
- 8 Retirez, puis insérez la sonde à nouveau pour vérifier la température interne.
- 9 Touchez à la température qui clignote pour annuler.

⚠ MISE EN GARDE

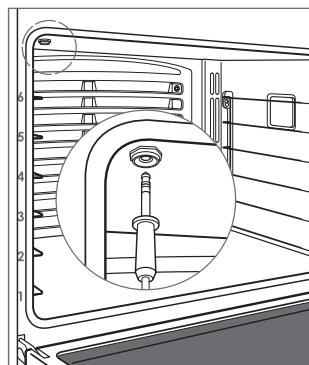
Tirez vers le bas lorsque vous retirez la sonde du réceptacle. Plier ou tirer la sonde à un angle pendant le retrait peut endommager la sonde et le four. Ne placez pas de rack ou d'accessoire en position de rack 6 lorsque vous utilisez la sonde, car cela interfère avec le retrait de la sonde.

⚠ MISE EN GARDE

La sonde et la prise de la sonde seront très chaudes. Manipulez-les avec soin.



Sonde de température




Prise de la sonde

Programmation automatique

CUISSON MINUTÉE

La cuisson minutée éteint automatiquement le four à une heure précisée. Le four commencera à chauffer immédiatement et s'éteindra à l'heure d'arrêt désirée. Si un préchauffage est requis, la durée du préchauffage doit être prise en compte pour déterminer la durée de la cuisson. L'horloge doit être réglée à la bonne heure pour que cette option fonctionne correctement. Utilisez cette fonction avec tout mode de cuisson sauf grillage, gastronomique ou pierre de cuisson. Cette fonction ne permet pas l'utilisation de la sonde de température.


Réglage des commandes :

- 1 Tournez le cadran sélecteur au mode de cuisson désiré et tournez le bouton de commande pour régler la température.
- 2 Touchez à Timed Cook (cuisson minutée), puis sélectionnez la durée de la cuisson voulue.
- 3 Touchez à Set (régler) deux fois pour commencer.
- 4 Pour annuler, touchez à la durée/l'heure d'arrêt qui clignote sur l'écran tactile, puis touchez .
- 5 Le four s'éteint automatiquement lorsque la durée de cuisson est terminée.
- 6 Mettez le cadran sélecteur à Off (arrêt) pour annuler.

MISE EN MARCHÉ DIFFÉRÉE

La mise en marche différée met automatiquement le four en marche et l'éteint à des heures précisées. Le four demeure en attente jusqu'à l'heure de mise en marche désirée et s'éteint à l'heure d'arrêt désirée. Si un préchauffage est requis, la durée du préchauffage doit être prise en compte pour déterminer la durée de la cuisson. L'horloge doit être réglée à la bonne heure pour que cette option fonctionne correctement. Utilisez cette fonction avec tout mode de cuisson sauf grillage, gastronomique ou pierre de cuisson. La sonde de température ne peut pas être utilisée avec la fonction de mise en marche différée.

Réglage des commandes :

- 1 Tournez le cadran sélecteur au mode de cuisson désiré et tournez le bouton de commande pour régler la température.
- 2 Touchez à Timed Cook (cuisson minutée), puis sélectionnez la durée de la cuisson voulue.
- 3 Utilisez la glissière pour sélectionner l'heure d'arrêt voulue, puis touchez à Set (régler).
- 4 Pour annuler, touchez à la durée/l'heure d'arrêt qui clignote sur l'écran tactile, puis touchez .
- 5 Le four s'éteint automatiquement lorsque la durée de cuisson est terminée.
- 6 Mettez le cadran sélecteur à Off (arrêt) pour annuler.

Nettoyage

Durant le nettoyage, le four est chauffé jusqu'à une température extrêmement élevée pour brûler les restes d'aliments. Les lumières du four sont désactivées. Le nettoyage prend environ quatre heures.

REMARQUE IMPORTANTE : Pour les fours doubles, l'autre four ne peut pas être utilisé durant le nettoyage du premier four.

Réglage des commandes :

- 1 Mettez la ventilation en marche. Il est normal de voir de la fumée et de sentir une odeur.
- 2 Tournez le cadran sélecteur à Clean (nettoyage).
- 3 Touchez à Start (mise en marche).
- 4 Retirez les grilles du four et les guides de grille, puis touchez à Ok.
- 5 La porte du four se verrouille et demeure verrouillée jusqu'à ce que le nettoyage soit terminé et la température du four se trouve en dessous de 550 °F (290 °C).
- 6 Mettez le cadran sélecteur à Off (arrêt) pour annuler.

La porcelaine est fabriquée de produits naturels et, par conséquent, elle peut s'écailler et de petites ridules et fissures peuvent apparaître en raison de l'expansion et de la contraction qui se produisent lorsque la température du four varie (particulièrement lorsque la fonction auto-nettoyage est utilisée). Cela entraîne des imperfections cosmétiques, comme un aspect trouble, une apparence terne ou des égratignures. Les imperfections cosmétiques peuvent être plus visibles dans une cavité de four de couleur.

NETTOYAGE DIFFÉRÉ

Réglage des commandes :

- 1 Mettez la ventilation en marche. Il est normal de voir de la fumée et de sentir une odeur.
- 2 Tournez le cadran sélecteur à Clean (nettoyage).
- 3 Touchez à Delayed Clean (nettoyage différé) et utilisez la glissière pour sélectionner l'heure d'arrêt souhaitée, puis touchez à Set (régler).
- 4 Retirez les grilles du four et les guides de grille, puis touchez à Ok.
- 5 La porte du four se verrouille et demeure verrouillée jusqu'à ce que le nettoyage soit terminé et la température du four se trouve en dessous de 550 °F (290 °C).
- 6 Mettez le cadran sélecteur à Off (arrêt) pour annuler.

⚠ MISE EN GARDE

Pendant le nettoyage, les surfaces extérieures peuvent devenir plus chaudes que d'habitude. Les enfants ne doivent pas s'approcher.

Shabbath

Cet appareil est certifié par Star-K pour répondre à des règlements religieux rigoureux relativement à des directives précises se trouvant sur www.star-k.org.

Les modes rôtissage, cuisson, apprêt et garder au chaud peuvent être utilisés en mode Shabbath.

Réglage des commandes :

- 1 Allumez ou éteignez les lumières du four.
- 2 Touchez à SETTINGS (paramètres), puis sélectionnez Sabbath (Shabbath).
- 3 Touchez à On (marche), puis touchez à Set (régler).
- 4 Tournez le cadran sélecteur au mode de cuisson désiré, tournez le bouton de commande pour régler la température et touchez à Start (mise en marche).
- 5 Pour modifier la température du four en mode Shabbath, tournez le bouton de commande. Chaque tour augmente ou diminue la température de 25 °F ou 5 °C. La température est modifiée aléatoirement après la sélection de la nouvelle température.
- 6 Mettez le cadran sélecteur à Off (arrêt) pour annuler.

Lampe du four

⚠ AVERTISSEMENT

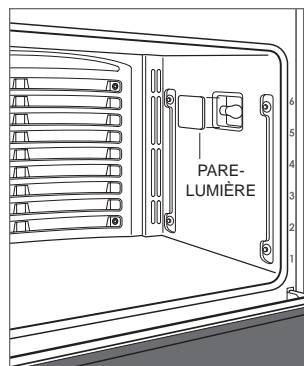
Assurez-vous que le courant soit coupé au niveau du coffret électrique avant de remplacer l'ampoule.

Laissez le four se refroidir complètement, puis retirez les grilles et les guides de grille. Pour retirer le pare-lumière, dégagez doucement le rebord inférieur avec un tournevis plat. Retirez l'ampoule existante et remplacez-la par une ampoule halogène de 40 watts. Reportez-vous à l'illustration ci-dessous. Ne touchez pas à la nouvelle ampoule avec vos doigts nus. Portez des gants en caoutchouc ou utilisez une serviette en papier pour tenir l'ampoule pour l'installer.

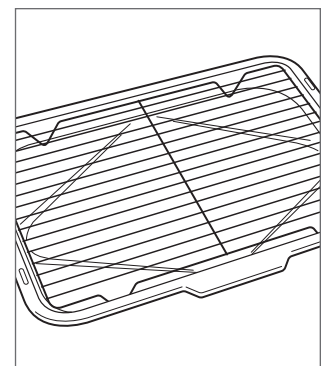
Pour remplacer l'ampoule située dans la partie supérieure de la cavité du four, communiquez avec le service certifié par l'usine de Wolf. Pour obtenir le nom du centre de service Wolf certifié par l'usine le plus près, consultez la section Support technique de notre site Web, wolfappliance.com, ou appelez le service à la clientèle de Wolf au 800-222-7820.

Lèche-frite

Pour le grillage, utilisez la lèche-frite à deux pièces comprise avec la cuisinière. Reportez-vous à l'illustration ci-dessous.



Remplacement d'une ampoule



Plateau et grille de la lèche-frite

Guide de cuisson Wolf

ALIMENT	GRILLE(S)	MODE	TEMPÉRATURE DU FOUR	POSITION	DURÉE	REMARQUES
PAINS						
Biscuits	1	Rôtissage	400 °F (205 °C)	3	5–10 min	
	2	Convection	425 °F (220 °C)	2, 5	5–10 min	
	3	Convection	425 °F (220 °C)	1, 3, 5	5–10 min	
Brioches à la cannelle	1	Cuisson	350 °F (175 °C)	3	20–25 min	
	2	Convection	325 °F (165 °C)	2, 5	20–25 min	
	3	Convection	325 °F (165 °C)	1, 3, 5	20–25 min	
Pain à l'ail	1	Grillage	Moyenne	5		
Muffins	1	Cuisson	400 °F (205 °C)	3	15–20 min	
	2	Convection	375 °F (190 °C)	2, 5	10–15 min	
	3	Convection	375 °F (190 °C)	1, 3, 5	10–15 min	
Pains éclair	1	Cuisson	350 °F (175 °C)	3	40–50 min	
Rôtie	1	Grillage	Élevée	5		
Pain à la levure (moule à pain)	1	Cuisson	350 °F (175 °C)	3	20–45 min	
Pain à la levure (sans moule)	1	Pierre de cuisson	450 °F (230 °C)	1	15–45 min	
Petits pains à la levure	1	Convection	375 °F (190 °C)	3	10–20 min	
	2	Convection	375 °F (190 °C)	2, 5	10–20 min	
	3	Convection	375 °F (190 °C)	1, 3, 5	10–20 min	
GÂTEAUX						
Gâteau des anges	1	Cuisson	350 °F (175 °C)	1	35–45 min	
Bundt ou pound cake	1	Cuisson	350 °F (175 °C)	3	40–50 min	
Petits gâteaux	1	Cuisson	350 °F (175 °C)	3	20–25 min	
	2	Convection	325 °F (165 °C)	2, 5	15–25 min	
	3	Convection	325 °F (165 °C)	1, 3, 5	15–25 min	
Mélange ou fait à la maison	1	Cuisson	350 °F (175 °C)	3	20–30 min	
	2	Convection	325 °F (165 °C)	2, 5	20–30 min	
	3	Convection	325 °F (165 °C)	1, 3, 5	20–30 min	
BISCUITS						
Biscuits ou barres	1	Cuisson	350 °F (175 °C)	3	10–25 min	
	2	Convection	325 °F (165 °C)	2, 5	10–25 min	
	3	Convection	325 °F (165 °C)	1, 3, 5	10–25 min	
TARTES						
Choux à la crème	1	Convection	400 °F (205 °C)	3	20–30 min	
Deux croûtes ou garnies de streusel	1	Cuisson	375 °F (190 °C)	3	40–45 min	
Meringue au citron	1	Grillage	Faible	3	10–15 min	
Croûte de tarte (vide)	1	Cuisson	425 °F (220 °C)	3	10–15 min	
Pâte feuilletée	1	Cuisson	400 °F (205 °C)	3	10–15 min	
	2	Convection	375 °F (190 °C)	2, 5	10–15 min	
	3	Convection	375 °F (190 °C)	1, 3, 5	10–15 min	
Citrouille ou crème pâtissière	1	Cuisson	425 °F (220 °C) / 325 °F (165 °C)	3	reportez-vous à la remarque	Cuire pendant 15 min à 425 °F, réduire la température à 325 °F et cuire jusqu'à ce que la tarte soit prise, 45 à 60 minutes.

Consommer de la viande, de la volaille, des fruits de mer, des mollusques et crustacés crus ou pas assez cuits peut augmenter votre risque de maladie d'origine alimentaire.

Guide de cuisson Wolf

ALIMENT	MODE	TEMPÉRATURE DU FOUR	GRILLE	DURÉE	TEMP. DE LA SONDE	REMARQUES
BŒUF						
Rôti de fin de palette	Rôtissage par convection	325 °F (165 °C)	3	45–55 min/kg	Moy. 150 °F (65 °C)	Placez dans un plat avec du liquide à moitié de la hauteur de la viande.
	Rôtissage	350 °F (175 °C)	3	45–55 min/kg	Moy. 150 °F (65 °C)	
Galettes de viande	Grillage	Élevée	5	10–15 min		Retournez après 7 minutes.
Côte de bœuf	Rôtissage	450 °F (230 °C)/ 225 °F (105 °C)	2	reportez-vous à la remarque	Saignant 130 °F (55 °C)	Aucun préchauffage requis. Rôtir pendant 30 minutes à 450 °F, réduisez la température à 225 °F et cuisez jusqu'à la température interne désirée.
Rôtissage	Rôtissage	425 °F (220 °C)/ 325 °F (165 °C)	2	reportez-vous à la remarque	Saignant 135 °F (60 °C)	Rôtir pendant 30 minutes à 425 °F, réduisez la température à 325 °F et cuisez jusqu'à la température interne désirée.
Rôtissage à feu doux	Cuisson	300 °F (150 °C)	2			Placez dans un plat couvert avec du liquide au quart de la hauteur de la viande.
Steaks (< 2,5 cm d'épaisseur)	Grillage	Élevée	5	10–15 min		Retournez après 6 minutes.
Steaks (> 2,5 cm d'épaisseur)	Grillage	Élevée	5	10–20 min		Retournez après 8 minutes.
Filet	Rôtissage par convection	450 °F (230 °C)	3	25–45 min/kg	Saignant 130 °F (55 °C)	
VOLAILLE						
Poulet, non désossé	Rôtissage par convection	325 °F (165 °C)	5	20–25 min	Cuisse 180 °F (80 °C)	
Poitrine de poulet désossée	Grillage	Moyenne	5	10–15 min		Retournez à mi-chemin pendant le grillage.
(aplatie à 1,3 cm d'épaisseur)	Rôtissage par convection	350 °F (175 °C)	3	15–20 min	Poitrine 165 °F (75 °C)	
Quarts, cuisses de poulet	Grillage	Moyenne	5	20–25 min		Retournez à mi-chemin pendant le grillage.
	Rôtissage	350 °F (175 °C)	3	30–40 min	Cuisse 180 °F (80 °C)	
	Rôtissage par convection	325 °F (165 °C)	3	30–40 min	Cuisse 180 °F (80 °C)	
	Cuisson	350 °F (175 °C)	3	30–40 min	Cuisse 180 °F (80 °C)	
Poulet, entier	Rôtissage par convection	325 °F (165 °C)	2	25–45 min/kg	Cuisse 180 °F (80 °C)	
Poule Cornish	Rôtissage par convection	325 °F (165 °C)	3	1 heure	Cuisse 180 °F (80 °C)	
	Rôtissage	350 °F (175 °C)	3	1 heure	Cuisse 180 °F (80 °C)	
Canard	Rôtissage par convection	325 °F (165 °C)	2	35–45 min/kg	Cuisse 180 °F (80 °C)	
Oie	Rôtissage par convection	325 °F (165 °C)	2	35–45 min/kg	Cuisse 180 °F (80 °C)	
Poitrine de dinde, entière	Rôtissage par convection	325 °F (165 °C)	2	15–20 min/kg	Poitrine 165 °F (75 °C)	
	Rôtissage	350 °F (175 °C)	2	15–20 min/kg	Poitrine 165 °F (75 °C)	
Morceaux de dinde	Rôtissage par convection	325 °F (165 °C)	3	30–40 min	Cuisse 180 °F (80 °C)	
	Rôtissage	350 °F (175 °C)	3	30–40 min	Cuisse 180 °F (80 °C)	
Dinde, entière (saumurée)	Cuisson	350 °F (175 °C)	1	25–35 min/kg	Cuisse 180 °F (80 °C)	
Dinde, entière	Rôtissage par convection	325 °F (165 °C)	1	25–35 min/kg	Cuisse 180 °F (80 °C)	
	Rôtissage	325 °F (165 °C)	1	25–35 min/kg	Cuisse 180 °F (80 °C)	

Consommer de la viande, de la volaille, des fruits de mer, des mollusques et crustacés crus ou pas assez cuits peut augmenter votre risque de maladie d'origine alimentaire.

Guide de cuisson Wolf

ALIMENT	MODE	TEMPÉRATURE DU FOUR	GRILLE	DURÉE	TEMP. DE LA SONDÉ	REMARQUES
PORC						
Côtelettes, steaks (1,3 cm d'épaisseur)	Grillage	Élevée	5	5–10 min		Retournez à mi-chemin pendant le grillage.
	Rôtissage par convection	350 °F (175 °C)	3	10–15 min		
Steak de jambon (< 2,5 cm d'épaisseur)	Grillage	Élevée	5	5–10 min		Retournez à mi-chemin pendant le grillage.
Steak de jambon (> 2,5 cm d'épaisseur)	Grillage	Élevée	5	10–15 min		Retournez à mi-chemin pendant le grillage.
Jambon, entier	Cuisson	335 °F (170 °C)	2	25–35 min/kg	160 °F (70 °C)	Couvrez et laissez reposer pendant 15 minutes.
Côtes levées	Cuisson	300 °F (150 °C)	3			Placez dans du papier d'aluminium ou un plat couvert avec du liquide au quart de la hauteur de la viande.
Rôtissage à feu doux	Cuisson	300 °F (150 °C)	2			Placez dans un plat couvert avec du liquide au quart de la hauteur de la viande.
Filet	Rôtissage par convection	400 °F (205 °C)	3	35-45 min/kg	Saignant 130 °F (55 °C)	
AGNEAU						
Côtelettes, steaks (1,9 cm d'épaisseur)	Grillage	Élevée	5	5–10 min		Retournez à mi-chemin pendant le grillage.
Couronne	Rôtissage par convection	325 °F (165 °C)	2	35-45 min/kg	145 °F (65 °C)	
Cuisse	Rôtissage par convection	425 °F (220 °C) /325 °F (165 °C)	2	reportez-vous à la remarque	145 °F (65 °C)	Rôtir pendant 30 minutes à 425 °F, réduisez la température à 325 °F et cuisez jusqu'à la température interne désirée.
Rôti de veau	Rôtissage par convection	300 °F (150 °C)	2	65–75 min/kg	140 °F (60 °C)	
POISSON						
Filet (< 2,5 cm d'épaisseur)	Grillage	Moyenne	5	10–20 min		
Filet (> 2,5 cm d'épaisseur)	Rôtissage par convection	375 °F (190 °C)	5	15–25 min		
PIZZA						
Calzones	Pierre de cuisson	375 °F (190 °C)	1	10–15 min		
Pizza à pain français	Grillage	Moyenne	5	10–15 min		
Pizza maison	Pierre de cuisson	450 °F (230 °C)	1	5–15 min		
LÉGUMES						
Légumes mélangés	Rôtissage par convection	400 °F (205 °C)	4	10–20 min		
Pommes de terre, patates douces	Cuisson	350 °F (175 °C)	3	45–60 min		
AUTRE						
Pain de viande	Rôtissage	425 °F (220 °C)/ 325 °F (165 °C)	2	reportez-vous à la remarque	165 °F (75 °C)	Rôtir pendant 20 minutes à 425 °F, réduisez la température à 325 °F et cuisez jusqu'à la température interne désirée.
Nachos	Grillage	Faible	3	15–20 min		
Repas dans un plat	Cuisson	350 °F (175 °C)	3	45–60 min	175 °F (80 °C)	
Quiche	Cuisson	350 °F (175 °C)	3	40–50 min		
Saucisse, saucisse Bratwurst (fraîches)	Grillage	Moyenne	5	10–15 min		Retournez à mi-chemin pendant le grillage.

Consommer de la viande, de la volaille, des fruits de mer, des mollusques et crustacés crus ou pas assez cuits peut augmenter votre risque de maladie d'origine alimentaire.

Brûleurs de surface

⚠ MISE EN GARDE

Retirez tous les couvercles en acier inoxydable et les planches à découper avant utilisation.

⚠ MISE EN GARDE

L'utilisation de récipients de cuisson de grand diamètre peut rendre très chaudes les surfaces adjacentes, y compris les couvercles en acier inoxydable.

Pour allumer un brûleur, enfoncez et tournez le bouton de commande correspondant dans le sens antihoraire jusqu'à la position Hi (élevé). L'allumeur clique jusqu'à ce que le brûleur s'allume. Une fois allumé, continuez à tourner le bouton dans le sens antihoraire jusqu'au paramètre désiré. Le halo autour du cadran s'illumine et reste illuminé jusqu'à ce que le brûleur soit éteint.

Pour sélectionner un paramètre de mijotage, tournez le bouton de commande jusqu'au paramètre le plus bas. Poussez et continuez à tourner dans le sens antihoraire. La flamme passe au second niveau sur le brûleur. Continuez à tourner le bouton jusqu'au paramètre de mijotage désiré.

Durant une panne d'électricité, les brûleurs peuvent être allumés manuellement. Tournez le bouton jusqu'à Hi (élevé) en utilisant un allumoir à usages multiples.





PUISSANCE NOMINALE DU BRÛLEUR

Le brûleur gauche avant offre une puissance de 20 000 BTU. Tout autre brûleur avant à la droite offre une puissance de 18 000 BTU. Le brûleur gauche arrière offre une puissance de 9 200 BTU. Tout autre brûleur arrière à la droite offre une puissance de 15 000 BTU.

⚠ MISE EN GARDE

Ne laissez jamais des chaudrons à un paramètre élevé sans surveillance. Faites attention lorsque vous cuisinez des aliments dans du gras ou de la graisse; ils peuvent devenir assez chauds pour s'enflammer.

BOUTONS DE COMMANDE

ICÔNE	BOUTON DE COMMANDE	PARAMÈTRES
	Brûleur de surface	Élevé-faible/ mijotage élevé-faible
	Grilloir	Élevé-faible
	Plaque à frire	100 °F à 450 °F
	Table de cuisson française	Élevé-faible

Grilloir au charbon de bois

⚠ MISE EN GARDE

Retirez tous les couvercles en acier inoxydable et les planches à découper avant l'utilisation.

Le grilloir au charbon de bois possède un brûleur infrarouge qui transfère de la chaleur intense aux aliments, pour saisir l'extérieur. Cuisez les aliments directement sur la grille du grilloir au charbon de bois. N'utilisez pas des ustensiles de cuisson.

FONCTIONNEMENT DU GRILLOIR AU CHARBON DE BOIS

- 1 Mettez la ventilation en marche.
- 2 Poussez et tournez le bouton de commande dans le sens antihoraire jusqu'à Hi (élevé).
L'allumeur clique jusqu'à ce que le brûleur s'allume.
- 3 Le halo autour du cadran s'illumine et reste illuminé jusqu'à ce que le brûleur soit éteint. Tournez le bouton jusqu'au paramètre désiré.
- 4 Laissez le grilloir au charbon de bois se préchauffer pendant 10 minutes.

Plaque à frire

⚠ MISE EN GARDE

Retirez tous les couvercles en acier inoxydable et les planches à découper avant l'utilisation.

La plaque frire infrarouge est contrôlée de façon thermostatique de manière à garder une température constante.

Pour empêcher les aliments de coller, il est nécessaire « d'assaisonner » la plaque à frire avant de l'utiliser.

Assaisonnement de la plaque à frire :

- 1 Mettez la ventilation en marche.
- 2 Nettoyez à fond avec de l'eau chaude et un détergent doux. Rincez et séchez avec un chiffon doux.
- 3 Poussez et tournez le bouton de commande dans le sens antihoraire jusqu'à 350 °F (175 °C) et chauffez pendant 30 minutes. Après la période de 30 minutes, tournez le bouton à Off (éteint) et laissez la surface se refroidir.
- 4 Tandis que la surface est un peu chaude, versez une petite quantité d'huile d'arachide ou végétale sur une serviette en papier et étalez uniformément.
- 5 Poussez et tournez le bouton de commande à 350 °F (175 °C). Chauffez jusqu'à ce que la plaque à frire commence à produire de la fumée, puis éteignez-la et laissez la surface se refroidir. Une fois refroidie, essuyez l'excédent d'huile.

FONCTIONNEMENT DE LA PLAQUE À FRIRE

- 1 Mettez la ventilation en marche.
- 2 Poussez et tournez le bouton de commande dans le sens antihoraire jusqu'à la température désirée.
L'allumeur clique jusqu'à ce que le brûleur s'allume. La plaque à frire double possède des commandes séparées pour chaque côté.
- 3 Le halo de lumière autour du cadran s'illumine jusqu'à ce que la plaque à frire atteigne la température choisie. Le voyant s'allume et s'éteint si de la chaleur supplémentaire est requise pour maintenir la température choisie.

Table de cuisson française

⚠ MISE EN GARDE

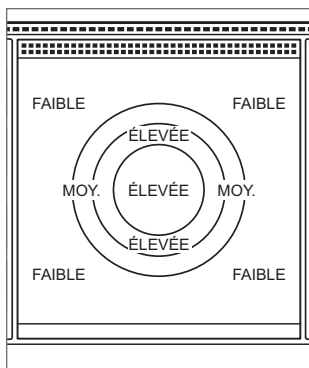
Retirez tous les couvercles en acier inoxydable et les planches à découper avant l'utilisation.

La table de cuisson française est une surface de cuisson graduée avec la température la plus élevée sous la plaque centrale. Utilisez toujours des ustensiles de cuisson. Ne cuisez pas les aliments directement sur la surface. Pour obtenir une chaleur de cuisson supérieure, placez le chaudron plus près du centre et pour une chaleur inférieure, plus près des rebords. Reportez-vous à l'illustration ci-dessous.

Pour protéger la surface des éclaboussements de nourriture et de l'humidité, il est nécessaire « d'assaisonner » la table de cuisson française avant de l'utiliser.

Assaisonnement de la table de cuisson française :

- 1 Mettez la ventilation en marche.
- 2 Nettoyez à fond avec de l'eau chaude et détergent doux. Rincez et séchez avec un chiffon doux.
- 3 Poussez et tournez le bouton de commande dans le sens antihoraire jusqu'à Hi (élevé) et chauffez pendant 30 minutes. Après la période de 30 minutes, tournez le bouton à Off (éteint) et laissez la surface se refroidir.
- 4 Tandis que la surface est un peu chaude, versez une petite quantité d'huile d'arachide ou végétale sur une serviette en papier et étalez uniformément. Une fois refroidie, essuyez l'excédent d'huile.



Zones thermiques de la table de cuisson française.

FONCTIONNEMENT DE LA TABLE DE CUISSON FRANÇAISE

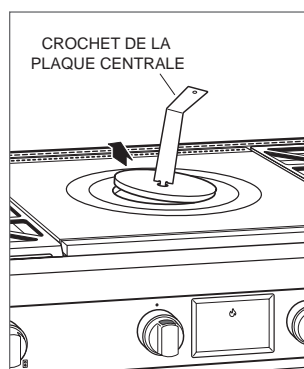
- 1 Mettez la ventilation en marche.
- 2 Poussez et tournez le bouton de commande dans le sens antihoraire jusqu'à Hi (élevé). L'allumeur clique jusqu'à ce que le brûleur s'allume.
- 3 Le halo autour du cadran s'illumine et reste illuminé jusqu'à ce que la table de cuisson française soit éteinte.
- 4 Laissez la table de cuisson française se préchauffer pendant 30 minutes.

⚠ MISE EN GARDE

Ne laissez jamais des chaudrons sur la zone de chaleur élevée sans surveillance. Faites attention lorsque vous cuisez des aliments dans du gras ou de la graisse; ils peuvent devenir assez chauds pour s'enflammer.

PLAQUE CENTRALE

Le brûleur de la table de cuisson française se trouve sous la plaque centrale. Pour retirer, utilisez le crochet de la plaque centrale fourni avec la cuisinière, comme il est montré dans l'illustration. Ne retirez jamais la plaque centrale pendant la cuisson.



Retrait de la plaque centrale

Conseils d'entretien

NETTOYAGE

Acier inoxydable	Utilisez un nettoyant non abrasif pour l'acier inoxydable et appliquez-le avec un chiffon doux non pelucheux. Pour faire ressortir le lustre naturel, essuyez légèrement la surface avec un chiffon en microfibres humecté d'eau suivi d'un chamois à polir sec. Suivez toujours le grain de l'acier inoxydable.
Revêtement en poudre	Avec un chiffon humide, essuyez avec un détergent doux; rincez et séchez.
Grilles et guides de rail du four	Enlevez-les et déposez-les sur une surface plate près de l'évier. Nettoyez avec de l'eau chaude et un détergent doux ou une pâte de bicarbonate de soude et d'eau. N'immergez pas dans l'eau. Séchez avec une serviette.
Grilles de brûleur	Enlevez-les et déposez-les sur une surface plate près de l'évier. Nettoyez avec de l'eau chaude et un détergent doux ou une pâte de bicarbonate de soude et d'eau. Séchez avec une serviette.
Cuvette du brûleur	Retirez les débris en surface avant de nettoyer pour aider à accélérer le processus de nettoyage et réduire le risque d'égratignures à la surface pendant le nettoyage. Au moyen de nettoyants légèrement abrasifs ou de dégraissants en aérosol, nettoyez et rincez la surface et séchez immédiatement pour éviter les stries. Pour nettoyer les taches d'eau dure, utilisez du vinaigre blanc et de l'eau. Rincez et séchez immédiatement.
Brûleurs de surface	Laissez refroidir. Utilisez un détergent doux ou un dégraissant en aérosol pour nettoyer. Rincez avec de l'eau et séchez avec une serviette.
Grilloir au charbon de bois	Une fois la cuisson terminée, laissez le grilloir au charbon de bois en marche pendant 10 minutes. La chaleur élevée aide à brûler l'excédent de particules alimentaires. Lorsqu'il est refroidi, retirez la grille et mettez-la dans l'évier. Couvrez de linges à vaisselle et versez de l'eau chaude dessus pour aider à dissoudre les résidus. Nettoyez avec du savon et un tampon à récurer. Rincez et séchez.
Plaque à frire	Grattez et poussez la graisse dans le collecteur de graisse après chaque utilisation. Une fois la surface refroidie, essuyez-la avec un essuie-tout pour éliminer l'excès de graisse ou d'huile. Après chaque utilisation, réappliquez une petite quantité d'huile d'arachide ou végétale sur une serviette en papier et étalez uniformément. Éliminez l'assaisonnement de temps à autre. Versez ½ tasse (120 ml) d'eau tiède et 1 cuillère à thé (5 ml) de nettoyant pour plaque à frire sur la plaque à frire et grattez le résidu dans le collecteur de graisse, puis videz-le. Lorsque la plaque est sèche, versez à nouveau une petite quantité d'huile pour l'assaisonner.
Table de cuisson française	Nettoyez la surface au complet après chaque utilisation pendant qu'elle est encore tiède. Essuyez avec un détergent doux et de l'eau. Rincez et séchez. Après chaque utilisation, réappliquez une petite quantité d'huile d'arachide ou végétale sur une serviette en papier et étalez uniformément. Éliminez l'assaisonnement de temps à autre. Appliquez une petite quantité de vinaigre blanc et d'eau sur la surface pendant qu'elle est encore tiède. Frottez et répétez jusqu'à ce que l'excédent d'huile ait été éliminé. Versez une petite quantité d'huile à nouveau pour l'assaisonner.
Boutons de commande	Avec un chiffon humide, essuyez avec un détergent doux ou un dégraissant en aérosol; rincez et séchez. Ne les mettez pas dans le lave-vaisselle.
Panneau de commande	Touchez et tenez la fonction Lock (verrou) pendant trois secondes pour verrouiller le panneau de commande. Utilisez un dégraissant pulvérisé pour éliminer les empreintes de doigts et les taches de nourriture. Pulvériser sur un chiffon avant d'essuyer le panneau. REMARQUE IMPORTANTE : Ne pulvériser pas les produits à nettoyer directement sur le panneau de commande.
Intérieur du four	REMARQUE IMPORTANTE : Essuyez tous les renversements d'aliment (particulièrement les sauces sucrées, acides et à base de tomates) lorsqu'il est possible de toucher à l'intérieur du four sans danger. Certaines imperfections sont permanentes, mais n'affectent pas le fonctionnement de la porcelaine. Avant d'utiliser la fonction nettoyage, utilisez une lame de rasoir pour soulever doucement les aliments cuits sur la cavité et la fenêtre du four. Pour les taches rebelles, pulvériser un nettoyant abrasif doux ou un dégraissant en aérosol et frottez avec un tampon Scotch-Brite™ sans égratignure (rose ou bleu). Lavez la cavité du four au complet avec du savon et de l'eau pour éliminer les produits chimiques de nettoyage avant d'utiliser le mode nettoyage. Si le résidu n'est pas nettoyé de la cavité, la porcelaine risque d'être gravée. Une fois le cycle de nettoyage terminé, laissez le four se refroidir complètement et essuyez les cendres avec un chiffon humide.
Lèchefrite	Pour nettoyer la grille, utilisez un détergent doux et tampon à récurer. Rincez et séchez. Pour nettoyer le plateau, jetez la graisse et lavez dans de l'eau chaude avec un détergent doux. Rincez et séchez.

Dépannage

FONCTIONNEMENT

La cuisinière ne fonctionne pas.

- Assurez-vous que l'unité est sous tension.
- Vérifiez l'alimentation électrique vers la cuisinière et que le disjoncteur de la résidence est en marche.
- Le four s'éteindra automatiquement après 12 heures d'utilisation continue, sauf en mode déshydratation ou Shabbath.

L'horloge s'éteint.

- L'unité se trouve en mode d'alimentation de veille. Reportez-vous à la page 11 pour désactiver l'alimentation en mode veille.

FOUR

Problème de température du four.

- Communiquez avec le service à la clientèle de Wolf au 800-222-7820.

Pas d'affichage sur le bouton de commande du four.

- Retirez et réinstallez le bouton. Mettez le disjoncteur hors tension pendant 20 secondes, puis remettez-le en marche.

Aucune réaction de la part du panneau de commande.

- Mettez le disjoncteur hors tension pendant 20 secondes, puis remettez-le en marche.

« SAb » est affiché sur le bouton de commande du four.

- L'unité se trouve en mode Shabbath (★ est affiché sur le panneau de commande), reportez-vous à la page 17.

Le mot Error (erreur) est affiché sur le panneau de commande.

- Communiquez avec le centre de service Wolf certifié par l'usine.

Le four émet des bruits pendant le préchauffage ou le refroidissement.

- Ceci est normal avec l'expansion et la contraction de toute nouvelle cavité.
- Lancez un cycle de nettoyage. Si le problème persiste, communiquez avec le service à la clientèle de Wolf au 800-222-7820.

La porte du four est verrouillée.

- La porte du four se verrouille et demeure verrouillée jusqu'à ce que le cycle de nettoyage soit terminé et la température du four se trouve en dessous de 550 °F (290 °C).

SURFACE DE LA CUISINIÈRE

Flamme erratique, mauvais allumage ou pas d'allumage.

- Vérifiez que les capuchons de brûleur sont correctement placés.
- Nettoyez le brûleur et l'allumeur adéquatement.
- Si de l'eau a été renversée récemment, laissez la zone sécher complètement. Utilisez un sèche-cheveux, au besoin.
- Enfoncez le bouton, puis relâchez-le. Assurez-vous que le bouton se remet en place.

Dépannage

SERVICE

- Préservez la qualité intégrée dans votre produit en communiquant avec un centre de service Wolf certifié par l'usine. Pour obtenir le nom du centre de service Wolf certifié par l'usine le plus près, consultez la section Support technique de notre site Web, wolfappliance.com, ou appelez le service à la clientèle de Wolf au 800-222-7820.
- Avant d'appeler pour obtenir du service, ayez en main les numéros de modèle et de série de votre produit. Les deux numéros sont indiqués sur la plaque signalétique du produit. Reportez-vous à la page 6 pour connaître l'emplacement de la plaque signalétique.
- Pour les besoins de la garantie, vous devrez aussi avoir la date d'installation et le nom de votre dépositaire Wolf autorisé. Ces renseignements doivent être notés à la page 2 de ce guide.

Garantie limitée résidentielle Wolf Appliance

POUR UTILISATION RÉSIDENIELLE

GARANTIE COMPLÈTE DE DEUX ANS*

Pendant deux ans à compter de la date d'installation originale, cette garantie de produit Wolf Appliance couvre toutes les pièces et la main d'œuvre pour réparer ou remplacer, selon un usage résidentiel normal, toute partie du produit qui s'avérerait défectueuse en vertu des matériaux ou de la fabrication. Tout service fourni par Wolf Appliance en vertu de la garantie ci-dessus doit être effectué par un centre de service Wolf certifié par l'usine, à moins d'indication contraire de la part de Wolf Appliance, Inc. Le service sera fourni pendant les heures normales d'affaires.

GARANTIE LIMITÉE DE CINQ ANS

Pendant cinq ans à compter de la date originale d'installation, Wolf Appliance réparera les pièces suivantes qui s'avèreront défectueuses en vertu des matériaux ou de la fabrication : les brûleurs au gaz (sauf l'apparence), les éléments de chauffage électrique, les moteurs de soufflerie (hottes de ventilation), les circuits de contrôle électronique, les tubes magnétrons et les génératrices à induction. Si le propriétaire utilise le service Wolf certifié par l'usine, le fournisseur de service réparera ou remplacera ces pièces et le propriétaire paiera pour tous les autres frais, y compris la main d'œuvre. Si le propriétaire utilise un service non certifié, il doit communiquer avec Wolf Appliance, Inc. (avec les renseignements ci-dessous) pour obtenir des pièces réparées ou de rechange. Wolf Appliance ne remboursera pas le propriétaire pour les pièces achetées d'un service non certifié ou d'autres sources.

CONDITIONS S'APPLIQUANT À CHAQUE GARANTIE

La garantie s'applique uniquement aux produits installés pour un usage résidentiel normal. La garantie s'applique seulement aux produits installés dans l'un des cinquante états des États-Unis, dans le District of Columbia ou les dix provinces du Canada. Cette garantie ne couvre pas les pièces ou la main d'œuvre pour corriger tout défaut causé par de la négligence, un accident ou une utilisation, un entretien, une installation, un service ou une réparation inappropriés.

LES REMÈDES DÉCRITS CI-DESSUS POUR CHAQUE GARANTIE SONT LES SEULS QUI SONT OFFERTS PAR WOLF APPLIANCE, INC. EN VERTU DE CETTE GARANTIE OU EN VERTU DE TOUTE GARANTIE DÉCOULANT DE L'OPÉRATION DE LA LOI. WOLF APPLIANCE, INC. NE SERA PAS RESPONSABLE DES DOMMAGES INDIRECTS OU CONSÉCUTIFS DÉCOULANT DE LA VIOLATION À CETTE GARANTIE OU À TOUTE GARANTIE, EXPRESSE, IMPLICITE OU LÉGALE.

Certaines provinces ne permettent pas l'exclusion ou la restriction des dommages indirects ou consécutifs, par conséquent, la limite ou l'exclusion ci-dessus peut ne pas s'appliquer à votre cas. Cette garantie vous confère des droits légaux précis et vous pouvez aussi avoir d'autres droits légaux qui peuvent varier d'une province à l'autre.

Pour obtenir des pièces et/ou du service et le nom du centre de service Wolf certifié par l'usine le plus près de chez vous, communiquez avec Wolf Appliance, Inc. P.O. Box 44848, Madison, WI 53744 É.-U.; consultez la section Support technique de notre site Web, wolfappliance.com, envoyez-nous un courriel à customerservice@subzero.com ou composez le 800-222-7820.

*L'acier inoxydable (les portes, les panneaux, les poignées, les cadres et les surfaces intérieures) est couvert par une garantie limitée de 60 jours sur les pièces et la main d'œuvre pour toute défectuosité cosmétique.

*Les filtres de rechange pour les trousse de remise en circulation de hotte de ventilation ne sont pas couverts par la garantie du produit.





A Higher Standard™

WOLF APPLIANCE, INC. P.O. BOX 44848 MADISON, WI 53744 WOLFAPPLIANCE.COM 800.222.7820

9069899 REV-A

03/2025

