

SENCOR®

Let's live!

**TURNTABLE WITH 33/45 RPM
WITH A MAGNETODYNAMIC
PICK-UP AND A USB OUTPUT
STT-500URA**

**USER'S MANUAL
EN**



Table of Contents

Safety instructions.....	2
Product features	6
Location of controls	6
Location of controls	7
Installation	8
Connection.....	8
Putting into operation	8
Pre-amp selector.....	11
Playback of records	11
"LINE OUT" jack (line output).....	12
Important information related to playing records.....	13
Recording using "AUDACITY" software.....	14
Installation procedure.....	14
Software settings.....	14
Recording	15
Exporting recorded files	15
Turntable maintenance.....	16
Technical specifications (with AT-3600L).....	16
INSTRUCTIONS AND INFORMATION REGARDING THE DISPOSAL OF USED PACKAGING MATERIALS	17
DISPOSAL OF USED ELECTRICAL AND ELECTRONIC EQUIPMENT	17

Safety Instructions



WARNING: DO NOT EXPOSE THE APPLIANCE TO RAIN AND INCREASED HUMIDITY, YOU WILL THEREBY AVOID AN INCREASED RISK OF FIRE AND INJURY BY ELECTRICAL SHOCK.



ATTENTION: WHEN THE CASE OF THE APPLIANCE (OR ITS REAR PARTS) ARE REMOVED THERE IS A RISK OF A FIRE OR INJURY BY ELECTRICAL SHOCK. THERE ARE NO COMPONENTS INSIDE THE APPLIANCE THAT THE USER CAN REPAIR ON THEIR OWN. HAVE ALL REPAIRS PERFORMED BY QUALIFIED SERVICE TECHNICIANS.



The flash symbol inside an equilateral triangle informs the user that there are uninsulated conductors inside the appliance under "dangerous voltage", which may cause injury to persons by electrical shock.



The symbol of an exclamation mark inside an equilateral triangle informs the user about important instructions in the attached publication regarding the operation and maintenance of the appliance.



ATTENTION

In order that you use the product properly, carefully read the user's manual and save it for future use. In the event that the appliance requires repairs or maintenance, please contact an authorised service centre.



ATTENTION

In the event that it is necessary to remove the case, first pull the power cord plug out of the power socket.

1. Read the user's manual

After unpacking the product, carefully read the user's manual, follow the instructions describing the controls and other tasks.

2. Power source

This appliance can only be connected to a power source with corresponding parameters as included on the rating label. If you are not sure about the parameters of your electrical system, please consult your vendor or your local power distributor. For products powered by batteries or other power sources, necessary information is contained in the user's manual.

3. Ventilation

The vents and slots on the case of the appliance are used for ventilation. They protect the appliance against overheating and so ensure its proper operation. Do not block or cover these openings. Do not block the ventilation openings by placing the appliance on a bed, couch, carpet or similar surface. It is only possible to place the appliance into a bookcase, cupboard or another confined area if proper ventilation is provided for and the conditions set by the manufacturer are met.

4. High temperatures

Do not locate the device in the vicinity of heaters, stoves, fireplaces or other sources of heat (including amplifiers). An open flame must not be placed on the appliance, e.g. burning candle.

5. Water and humidity

Do not use this appliance near water – e.g. next to a bath, kitchen sink, in a damp cellar, near a pool, etc. Do not place any containers filled with water (e.g. vases) on to the appliance.

6. Cleaning

Pull the power plug out of the power socket before cleaning. Do not use liquid or aerosol cleaning agents. Clean the appliance with a damp cloth.

7. Protection of power cords

Locate cables in such a way that they are not walked on and that they are not damaged by objects standing above or next to them. Pay special attention to locations where cables exit power sockets, extension cables and the appliance.

8. Overloading

Do not overload power sockets, extension cords or integrated switching sockets to avoid increasing the danger of fire or injury by electrical shock.

9. Storm

Before a storm or a longer period of time when you will not be using the appliance, disconnect the plug from the power socket. This will prevent damage caused by a lightning strike into the electrical system or by overvoltage.

10. Entry of items or liquids

Do not attempt to insert any objects into the ventilation openings. In the event that contact occurs with any part that is under current, or a short circuit occurs, there is a danger of fire or injury by electrical shock. Prevent liquids from entering into the appliance.

11. Connection

Do not use connection methods not recommended by the manufacturer, otherwise health or property may be put in jeopardy.

12. Accessories

Do not place the appliance on unstable carts, stands, tripods, shelves or tables. In the event of a fall, a child or adult could be injured or the device could be damaged. Use only carts, stands, tripods and tables recommended by the manufacturer or supplied as an accessory with the appliance. When attaching the appliance, use only original accessories and follow the instructions of the manufacturer. When the appliance is located on a cart, move it carefully. In the event that you quickly stop, exert excessive force or move over an uneven surface the cart may tip over together with the appliance.

13. Load

Do not step on the appliance or place heavy objects on it. If such an object were to fall, it could cause injury or damage the appliance.

14. Connecting

When connecting the appliance to another device, turn off all connected devices and disconnect them from the mains power supply. Carefully read the user's manual of the connected device before connecting it and proceed according to the provided instructions.

15. Volume

Turn volume down to the minimum level before turning on the appliance. In the event that emitted sound is too loud, it could lead to damage to your hearing or the speakers.

16. Sound distortion

Do not allow the appliance to playback distorted sound for too long. This could lead to the speakers overheating and subsequently a fire.

17. Headphones

Use a reasonable volume level when using headphones. Long term listening at excessive volume levels may damage hearing.

18. Records

Do not use cracked, deformed or repaired records. They may break up and cause serious injury or damage to the appliance.

19. Damage requiring repairs

If one of the following situations occur, disconnect the appliance from the mains and have it repaired by qualified service technicians:

- a) the power cord or plug was damaged;
- b) an object fell into the appliance or liquid entered it;
- c) the appliance was subject to the effects of rain or water;
- d) when operated according to the user's manual, it does not function normally. Only adjust the settings that are described in the user's manual. Any other adjustments may cause serious damage to the appliance. In such an event, it may require extensive repairs to put the appliance back into working order;
- e) the appliance fell or was damaged in any way;
- f) if significant changes in the operation of the appliance are occurring – in such an event it is necessary to seek help at a qualified service centre.

20. Repairs

Do not attempt to repair the appliance yourself. If you open the case, you are exposing yourself to the danger of injury by electrical shock and a number of other hazards. Leave all repairs to qualified technicians.

21. Spare parts

If it is necessary to replace any components, make sure that the service technician uses either original components directly or such components where all the parameters correspond to the original. When inappropriate components are used, there exists a danger of a fire or injury by electrical shock.

22. Safety inspection

After completing any maintenance task, ask the technician to check that the appliance works properly.

Warning:

Do not expose the appliance to dripping or spraying water effects and do not place objects filled with a liquid such as vases on the appliance. Since the power supply is used as the disconnecting device, it must be easily operable at all times.

Product features

- Turntable with selectable speed 33/45 rpm
- Belt drive system
- Automatic tonearm return
- Cueing lever
- RCA line output
- Detachable headshell
- PC connection: connection to a PC with the USB port for recording from the turntable
- Pitch control +/-10 %

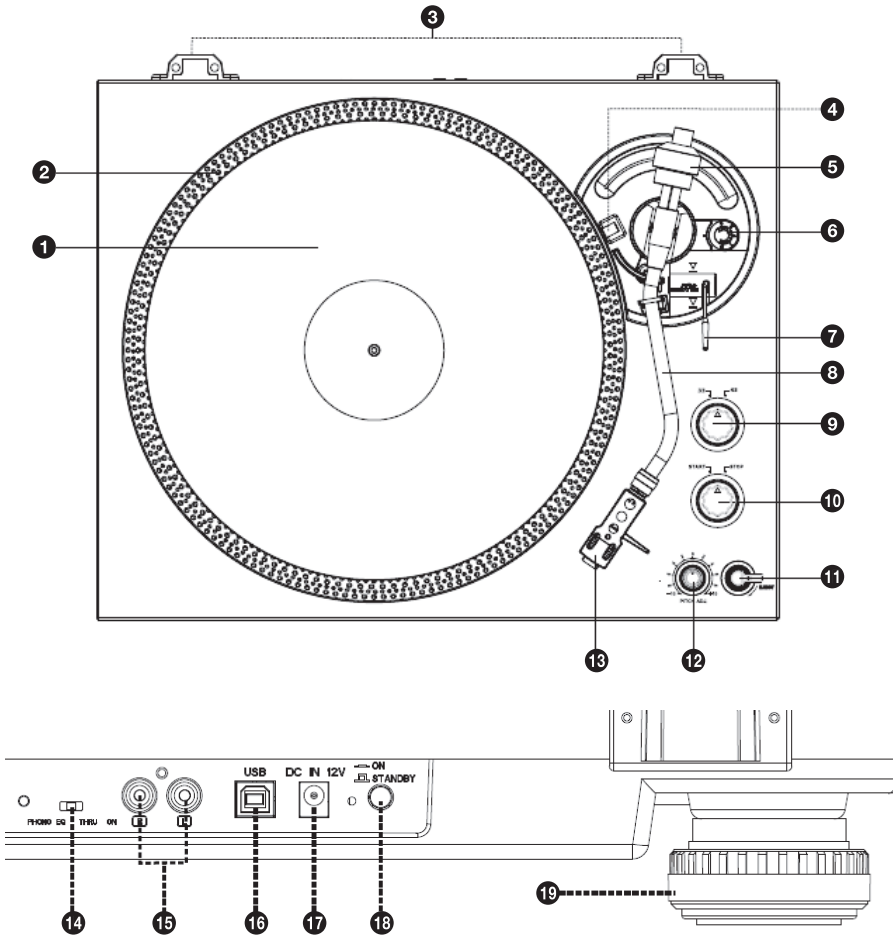
Supplied accessories:

1. Platter
2. Soft mat
3. Dust cover
4. 45 rpm adapter
5. Counterweight
6. Audio Technica AT-3600L cartridge
7. USB cable
8. Software CD
9. User's manual
10. External power supply

Location of controls

- 1 Platter
- 2 Strobe dots
- 3 Cover hinge
- 4 Strobe light
- 5 Counterweight
- 6 Antiskating adjust
- 7 Cueing lever
- 8 Tonearm
- 9 33/45 rpm speed selector
- 10 Playback/stop switch
- 11 EJECT (Return) switch
- 12 Pitch control (+/-10 %)
- 13 Headshell
- 14 Preamp/Direct selector
- 15 RCA line output jack
- 16 USB output
- 17 External power supply jack
- 18 ON/STANDBY button
- 19 Turntable foot

Location of controls



Attention:

Using the controls, making adjustments or procedures that are inconsistent with the instructions herein may result in damage to the appliance. Any adjustments and repairs of this product may only be performed by service staff with appropriate expert skills.

Installation

- Unpack all parts and remove the protective material.
- Do not connect the appliance to power supply until you have checked the mains voltage and performed all other connections.

Connection

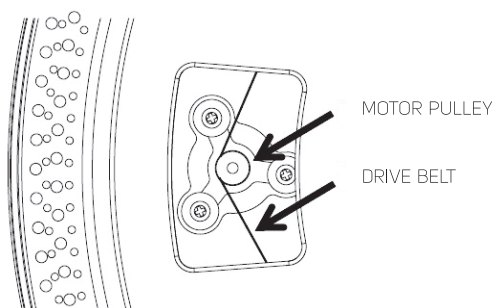
1. Connect the external power supply to the **power supply jack**.
2. Insert the plug into the appropriate mains outlet.
3. To turn the appliance on from standby, press the **ON/STANDBY** button on the unit's rear panel.

Putting into operation

Important information: When assembling this turntable (and also using it later on), take care and do not use force. This is a fine and sensitive device.

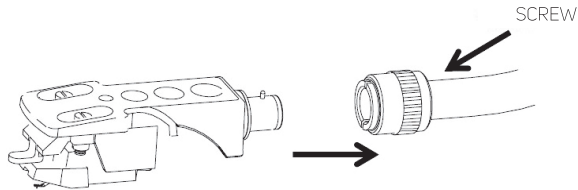
Procedure:

- Put the drive belt around the idler wheel underneath the platter.
- Put the platter on the spindle.
- Turn the platter window until you see the motor pulley, then put the drive belt around the motor pulley.

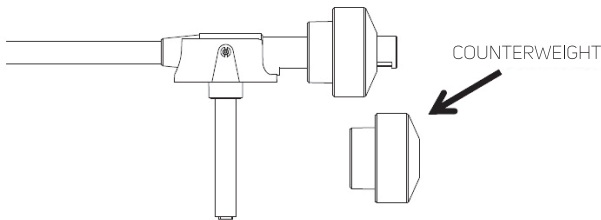


- Put the record mat on the platter.

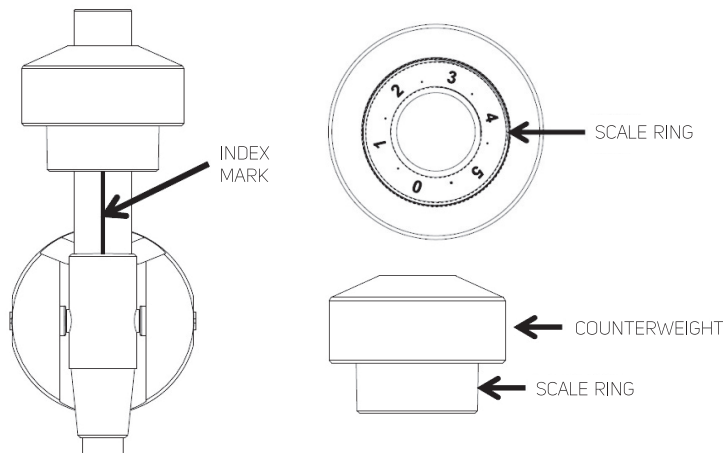
- **Fixing the headshell:** with the tonearm locked on the rest, insert the headshell on the front tonearm opening, then screw on the lock nut while holding the headshell in horizontal position.



- **Inserting the counterweight:** insert the counterweight on the tonearm and slightly screw it on the tonearm rear end.



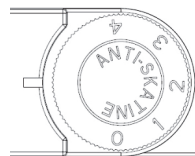
- **Balancing the tonearm:** set the antiskating control to "0" position. With the turntable turned off, place your record on the platter, unlock the tonearm from its rest and lift the cueing lever. Now it's necessary to get the tonearm balanced. **The turntable must be turned off to prevent the record from turning!** Remove the stylus protector and from that moment on, handle the stylus with extreme care! Move the tonearm over the record and lower the cueing lever. The counterweight must be shifted according to the tonearm movement - if the tonearm is lowering in the groove, the counterweight is too near the pivot, if the tonearm is lifting away from the record, the counterweight is too near the tonearm end. Shift the counterweight on the tonearm by screwing until you get the tonearm horizontally balanced with the cueing lever released.
- **Adjusting the scale zero position:** hold the counterweight with one hand and with your other hand, turn the scale ring so that the "0" position is aligned with the index mark on the shaft, but make sure you don't turn the counterweight at the same time.



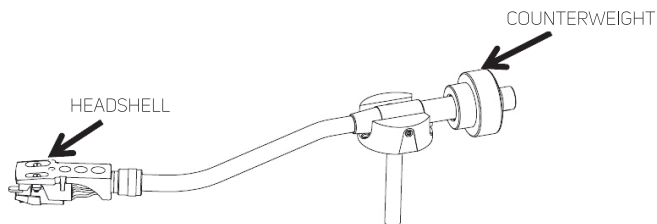
- **Adjusting the tracking force:** In case of Audio-Technica AT-3600L cartridge, turn the counterweight (along with the scale) inward, until number 2" to 3" on the scale ring is aligned with the index mark.

Note: a different tracking force may be set for other cartridges. Pay close attention to the cartridge manufacturer's recommendations.

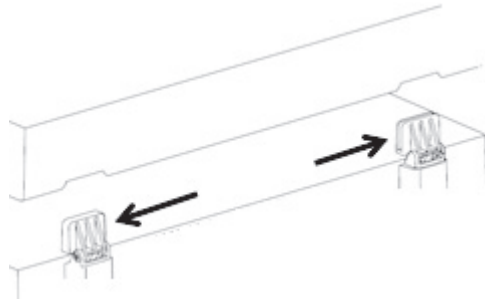
- **Antiskating adjustment:** Antiskating is a slight force that counteracts the centripetal force when picking up a record. Set the antiskating control to a position that corresponds to the tracking force set by the tonearm counterweight.



Note: the antiskating is operating also while the tonearm is being lowered into the groove and thus it may affect the tonearm lowering in a specific record location.



- Install the dust cover on the hinge on top chassis. Make sure that the tonearm is free to move with the cueing lever lifted and the dust cover closed, otherwise it would be impossible to close the cover during operation.



Pre-amp selector

- **PHONO EQ / THRU ON** selector is located on the rear panel.
- If you choose the **"PHONO EQ"** option, the audio signal will be processed by the internal pre-amplifier. For playing the music, the turntable may be connected directly to an active speaker.
- If you choose the **"THRU ON"** option, the audio signal will bypass the internal pre-amplifier. In this case, the turntable must be connected to an external pre-amplifier for music playback.



PHONO EQ THRU ON

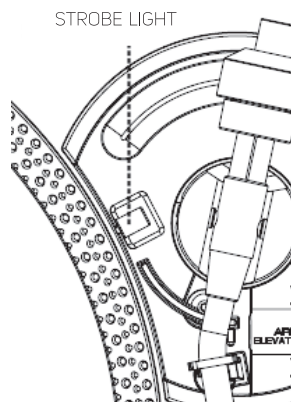
Playback of records

- If your turntable has already been turned ON with the rear panel switch, turn the operation switch on the top (START/STOP) in the START position and put your record on the platter.
- Remove the stylus protector.
- Set the correct speed with the 33/45 rpm selector switch.

Note: The tonearm must be unlocked from the rest before use and locked again after use.

- Lift the **cueing lever** to raise the tonearm from the docking rest, then move it slowly over the record edge. The platter your record will begin to turn. Do not lower the tonearm for the present.
- Let the platter turn for a while so that the speed can stabilize.

- The platter **strobe dots** are designed to check the speed. The upper rows of bigger dots are for 33 rpm, the upper rows of smaller dots are for 45 rpm. **Fine tune the speed** with the pitch control (**+/- 10 %**) if needed. If the speed is correct, the appropriate dots will stabilise under the **strobe light**, i.e. they are not moving either forward or backward or they are just very slowly.
- Lower the **cueing lever** so that the tonearm may drop and touch the record gently. The audio record playback has just begun.
- Lift the **cueing lever** to raise the tonearm from the docking rest. The platter will continue to rotate but the sound playback will pause. The user must lower the **cueing lever** again to resume the playback.



- At the record end, the platter will automatically stop rotating and the tonearm will return to the rest.
- If you press the **EJECT** switch during your record playback, the platter will stop and the tonearm will automatically return to the rest.



“LINE OUT” jack (line output)

- This system may be connected to an external device (such as an active amplifier and speaker) using the **RCA “LINE-OUT” jack** on the chassis rear panel.
- Connect your external device (such as an active amplifier) with a grounding wire if necessary.

Important information related to playing records

- Do not spin or stop the platter or the record by hand. There is a risk of injury and damaging the appliance.
- Do not touch the tonearm while it's returning to its home position. There is a risk of damaging the appliance.
- Do not carry or otherwise handle the appliance while tonearm is not secured in the rest. Otherwise, you may damage the appliance.
- For playback, do not use flexible, scratched or otherwise deformed records. They could damage the platter and stylus.
- Keep the cueing lever lowered at all times during operation. Only lift it to pause the record playback, then lower it again. This is to prevent both dust cover and the record from scratching and/or the tonearm from damaging.
- Always lower and lift the tonearm slowly with the cueing lever, not just by hand. This will prevent the record and/or the stylus from damaging.

Recording using "AUDACITY" software

The turntable can be connected to a PC via the USB port and then the tracks being played back can be recorded on your computer.

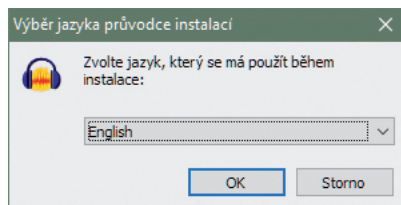
"Audacity" software is freely available, licensed under a GNU GPL (General Public Licence) and a Creative Commons Attribution 3.0 license. For more information, please refer to <http://www.audacityteam.org>.

Note:

Make sure that you have installed the software before starting this function.

Installation procedure

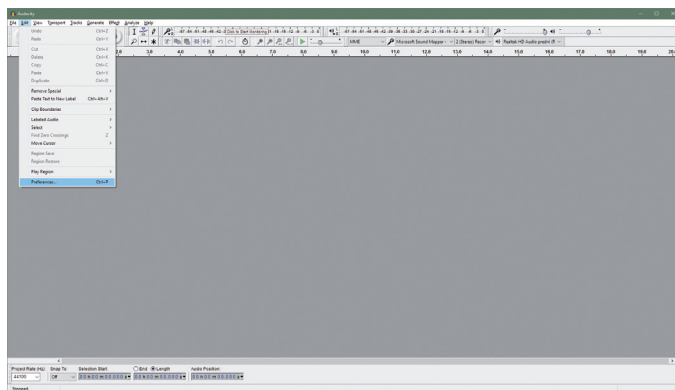
Select a language for the software installation.



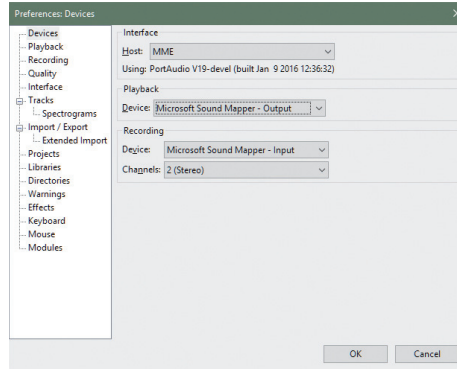
Software settings

It is necessary to setup the software after its installation.

Launch Audacity and then click on "Edit" (edit) and then on "Preferences" (preferences).



Select the DEVICES tab. Make settings according to your computer configuration.



Recording

Setup the record player for recording.

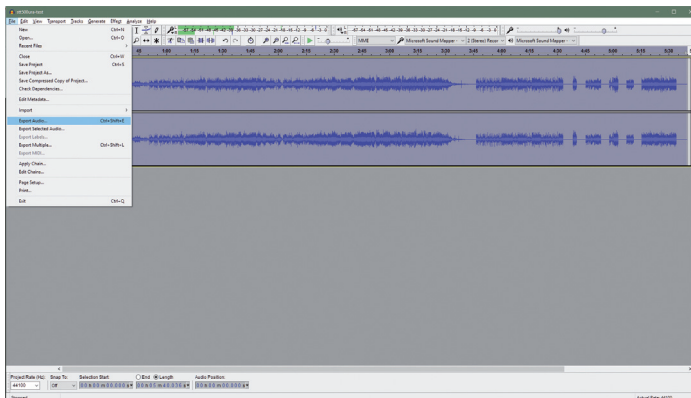
Click on the record button to start recording.

Click on the pause button to pause recording. Click again to continue recording.

Click to end the recording.

Exporting recorded files

Launch the "Audacity" program. Select the file, then select the "Export as MP3" option for example.



Then you will be able to save the recorded file on to your computer.

Turntable maintenance

For cleaning use a clean and soft cloth, which you can dip lightly in water. Make sure that water does not enter into the appliance. For cleaning, do not use sponges with steel wool or steel wool itself as this could scratch the surface. For cleaning the exterior case, do not use thinners, petrol or solvents.

Technical specifications (with AT-3600L)

System	belt drive
Motor	DC servomotor
Speed	33 1/3, 45 rpm
Fluctuation	0.25 % wrms
Arm	dynamically balanced type
Stylus tracking force adjustment range	0-6g
Cartridge	MM (moving magnet)
Output voltage	4 mV
Power source	230 V ~ 50 Hz
Power input	<6 W
Dimensions	450 x 355 x 121 mm
Weight	5.6kg

INSTRUCTIONS AND INFORMATION REGARDING THE DISPOSAL OF USED PACKAGING MATERIALS

Dispose of used packaging material at a site designated for waste in your municipality.

DISPOSAL OF USED ELECTRICAL AND ELECTRONIC EQUIPMENT



This symbol on products or original documents means that used electric or electronic products must not be added to ordinary municipal waste. For proper disposal, renewal and recycling hand over these products to determined collection points. Or as an alternative in some European Union states or other European countries you may return your products to the local retailer when buying an equivalent new product. Correct disposal of this product helps save valuable natural resources and prevents damage to the environment caused by improper waste disposal. Ask your local authorities or collection facility for more details. In accordance with national regulations penalties may be imposed for the incorrect disposal of this type of waste.

For business entities in European Union states

If you want to dispose of electric or electronic appliances, ask your retailer or supplier for the necessary information.

Disposal in other countries outside the European Union

This symbol is valid in the European Union. If you wish to dispose of this product, request the necessary information about the correct disposal method from the local council or from your retailer.



This product meets all the basic requirements of EU directives that apply to it.

Changes in the text, design and technical specifications may be made without prior notice and we reserve the right to make such changes.

The original version is in the Czech language.

Address of the manufacturer: FAST ČR, a.s., Černokostecká 1621, Říčany CZ-251 01

The CE symbol displayed on the unit, the user's manual and on the packaging shows that the unit meets the basic requirements of the R&TTE Directive, 1995/5/EC, and the Low voltage Directive 73/23/EEC. The declaration of conformity can be found at www.sencor.eu

SENCOR®

EN Warranty conditions

Warranty card is not a part of the device packaging.

This product is warranted for the period of 24 months from the date of purchase to the end-user. Warranty is limited to the following conditions. Warranty is referred only to the customer goods using for common domestic use. The claim for service can be applied either at dealer's shop where the product was bought, or at below mentioned authorized service shops. The end-user is obligated to set up a claim immediately when the defects appeared but only till the end of warranty period. The end user is obligated to cooperate to certify the claiming defects. Only completed and clean (according to hygienic standards) product will be accepted. In case of eligible warranty claim the warranty period will be prolonged by the period from the date of claim application till the date of taking over the product by end-user, or the date the end-user is obligated to take it over. To obtain the service under this warranty, end-user is obligated to certify his claim with duly completed following documents: receipt, certificate of warranty, certificate of installation.

This warranty is void especially if apply as follows:

- Defects which were put on sale.
- Wear-out or damage caused by common use.
- The product was damaged by unprofessional or wrong installation, used in contrary to the applicable instruction manual, used in contrary to legal enactment and common process of use or used for another purpose which has been designed for.
- The product was damaged by uncared-for or insufficient maintenance.
- The product was damaged by dirt, accident of force majeure (natural disaster, fire, and flood).
- Defects on functionality caused by low duality of signal, electromagnetic field interference etc.
- The product was mechanically damaged (e.g. broken button, fall).
- Damage caused by use of unsuitable media, fillings, expendable supplies (batteries) or by unsuitable working conditions (e.g. high temperatures, high humidity, quakes).
- Repair, modification or other failure action to the product by unauthorized person.
- End-user did not prove enough his right to claim (time and place of purchase).
- Data on presented documents differs from data on products.
- Cases when the claiming product cannot be indentified according to the presented documents (e.g. the serial number or the warranty seal has been damaged).

Authorized service centers

Visit www.sencor.eu for detailed information about authorized service centers.