

OPERATION, MAINTENANCE AND SAFETY INSTRUCTIONS

OMEGA ALTISE PANEL HEATERS OAPE2000B & OAPE2000W




omega
altise

IMPORTANT SAFETY INSTRUCTIONS

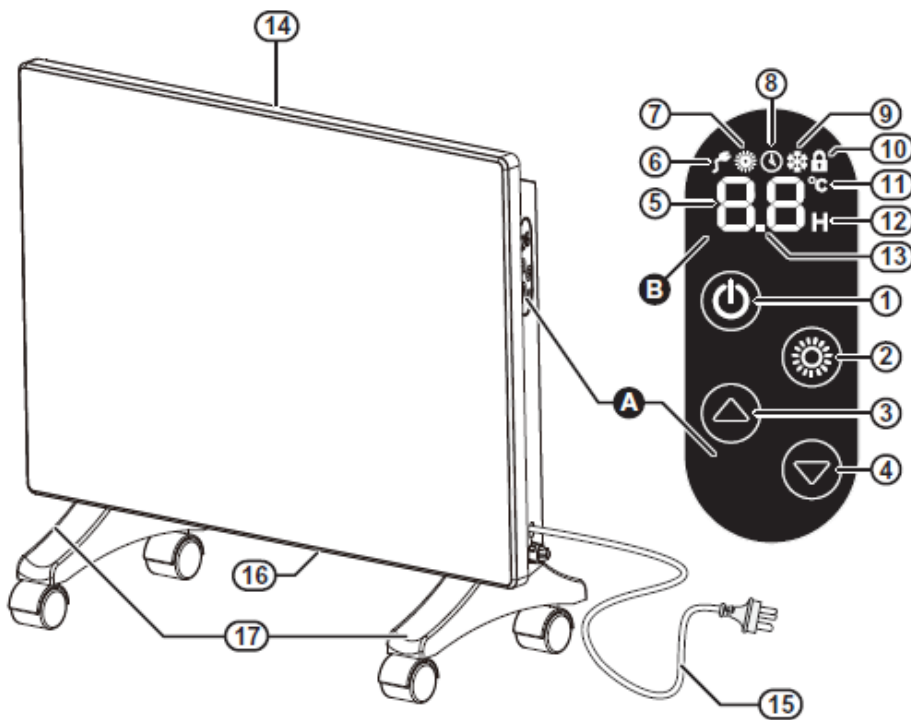
IMPORTANT: Read the safety precautions of this booklet carefully before attempting to assemble, install, operate or maintain the product described. Protect yourself and others by observing all safety information. Failure to comply with instructions could result in personal injury and/or property damage. If you are unsure about anything regarding your heater or these instructions, please contact Omega Altise on 1300 795 572 in Australia or (09) 415 600 in New Zealand before operating your appliance.

1. Read all instructions carefully before using the panel convection heater.
2. Use this heater only as described in this manual. Any other use not recommended by the manufacturer may cause fire, electrical shock, or injury to persons.
3. Remove the package and ensure that the heater is undamaged. In case of doubt do not use the heater and contact Omega Altise Service. Do not let children play with any parts of the package.
4. This appliance is not intended for use by persons (including children) with reduced physical, sensory or mental capabilities, or lack of experience or knowledge, unless they have been given supervision or instruction concerning the use of the appliance by a person responsible for their safety. Children should be supervised to ensure that they do not play with the appliance.
5. Before you use the heater, check if the voltage marked on the rating label corresponds to the mains in your home.
6. When first operated, a slight burning smell may be experienced. This is normal.
7. Avoid using extension cords as the extension cord may overheat and cause a risk of fire.
8. This heater is hot when in use. To avoid burns, do not let bare skin touch hot surfaces. Always use the control panel or castor supports when moving the heater (when not wall mounted). Keep combustible materials such as furniture, pillows, bedding, papers, clothes and curtains at least 1 meter from the front & top of the heater and keep them at least 0.5 meters from the sides and rear. Do not cover.
9. Do not pull the power cord to disconnect with the power source. Always grasp the plug to pull it out.
10. Do not insert any objects into the heater as it may cause an electric shock or fire or damage to the heater. Do not block or tamper with the heater in any manner while it is in operation. To prevent a possible fire, do not block the air inlet or outlet in any manner. Do not place on soft surfaces, like a bed or long pile carpet, where openings may become blocked.
11. Do not leave the heater unattended. Always unplug the heater when not in use. Always let the heater cool down before moving or storing away.
12. The heater has hot parts inside. It must NOT be used in potentially dangerous locations such as flammable, explosive, chemical-laden or wet atmospheres. This heater is intended for general indoor domestic use ONLY.
13. This heater is not intended for use in wet or damp locations, such as a bathroom or any area containing a bath, shower, wash basin or close to water or damp items. Never locate a heater where it may fall into a bathtub or other water container. It must be positioned or installed so that the controls cannot be touched by a person in a bath or shower. Do not immerse the power cord in any liquid (including water).
14. This heater is for use indoors only.
15. This heater includes an overheat protection safeguard that will turn the unit off should it overheat. If this occurs, remove the plug from the mains socket & allow to cool for 45 minutes, at which point it can be restarted. Check for the reason for the overheating, such as blocked vents, prior to starting up again.
16. Never install or use the heater directly below a wall socket.
17. When fixing on a wall, the heater must be level, securely fixed & at the correct height (check with local authorities if unsure). There must be at least 150mm between it and any barrier/wall to the sides, bottom or top to prevent overheating or damage.
18. Always use the heater with the castors supplied on level floors or attached to a wall with the supplied brackets.

WARNING:  The Main Power Switch and the On/Off switch should not be used as the sole means of disconnecting power. Always unplug the power cord before servicing or moving the unit.

WARNING:  To avoid danger of electric shock, unplug from outlet when not in use and before cleaning. If the supply cord is damaged, it must be replaced by a special cord or assembly available from an authorized person. In order to avoid overheating, do not cover the heater. The heater must NOT be located immediately below a socket outlet. Do not use the heater in the immediate surrounding of a bath, shower or swimming pool.

CONTROL FUNCTIONS



1. Power On/Off Button
 2. Mode Button - Temperature/ Timer setting
 3. Up Button
 4. Down Button
 5. Temperature/ Timer Display
 6. Power Indicator
 7. Heater Operation Indicator (Red)
 8. Delay Off Timer Set Indicator (Green)
 9. Constant Frost Protection Indicator
 10. Lock Indicator
 11. Degrees Celsius Indicator
 12. Time Indicator
 13. Tilt Warning Indicator
 14. Vent, Warm Air Discharge
 15. 240 Volt Power Cord and Plug
 16. Air Inlets
 17. Castors and Wheels
- A. Control Panel Console
B. Digital LED Display

GETTING STARTED

1. Carefully remove the heater from packaging and the carton, and unwind the cord to its full length.
2. Either fit the castors and wheels then place the heater onto a stable, flat and dry surface, or fit the mounting brackets to a stable wall & hang from the wall in a dry position away from open or running water. See installation sections for details.
3. Turn the heater off at the power switch (on the top right hand side of the unit). Plug the cord set into a 220-240V~A.C. 50Hz electrical outlet. Turn the power on at the electrical outlet.
4. Turn the heater on at the power switch (on the right hand side of the unit). Depending on the last setting, either the numeric display will light up showing the previous temperature setting (the appliance will start to operate), or the numeric display decimal point will light up (the appliance in stand-by mode). If in stand-by mode, press the power button to start the appliance, and press again to put back to stand-by mode.

NOTE: Heater must have castors fitted or be attached to a wall before use.

OPERATING INSTRUCTIONS

TURNING ON & OFF

Press the power button on the the control console once to start. The LED display will now show the last temperature setting. If this temperature is above the room temperature the red operation indicator will illuminate. To switch the heater off, press the power button. The shutdown of the heater will be accompanied with a chime sound, to confirm the heater is now off.

SETTING TEMPERATURES

To change the temperature setting press the mode button once. The (C°) temperature indicator on the display panel will flash. If after 5 seconds no adjustment is made, the display will revert back to the current operating setting.

Press the up or down buttons to increase or decrease the temperature setting. The temperature will range from 5 to 30C°.

To exit the temperature setting operation either press the mode button twice or wait 5 seconds. The selected temperature will now be set and displayed.

MAIN POWER SWITCH

The main power switch is to the right of the control panel. After the heater is plugged in, switching this on allows the heater to function & switching it off stops all functions.

TIMER

In addition to temperature controlled operation the heater can also be operated via the use of a delay timer. This allows the user to operate the heater for a set period of time.

Set the desired temperature, then press the mode button twice. The display panel will now display 0.0 and the both the delay off set indicator and the time indicator will begin to flash.

Press the up or down buttons to set the required timer operation period. The delay timer can be set in 30 minute (.5) increments up to 9.5 hours and then in 1 hours increments up to 24 hours. To exit the timer mode press the mode button twice or wait 5 seconds. The delay time indicator will illuminate to indicate that the timer is set.

To stop the timer function, press and hold the up button for 5 seconds.

OPERATING INSTRUCTIONS

ANTI FROST PROTECTION

If the temperature is set to 5C°, then the constant frost protection program will be activated and the constant frost protection indicator will be illuminated.

LOCK FUNCTION

The lock function is designed to prevent accidental operation of the heater. To activate the lock press and hold the up and down button until the padlock symbol is displayed.

To de-activate the lock, press and hold the up and down button until the padlock symbol disappears.

TILT SWITCH

As a safety feature this heater is fitted with a tilt switch that automatically places the heater into standby mode if the appliance tilts more than 45°. An audible warning is also provided in the form of a repeating chime to alert the user. Once the heater is returned to level, normal operation will commence automatically.

INSTALLATION GUIDE

This heater can either be mounted to a wall or used with the supplied castors and wheels. Please note the following safety warnings:

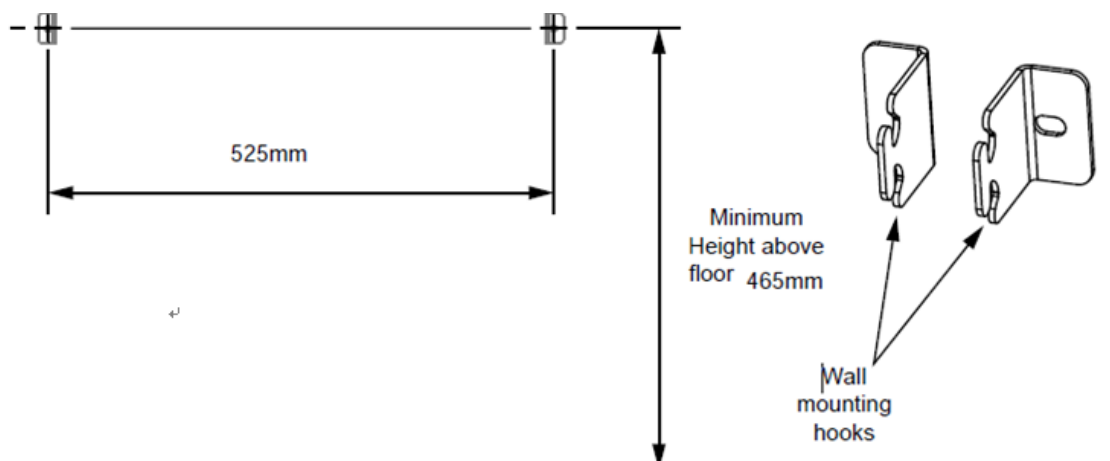
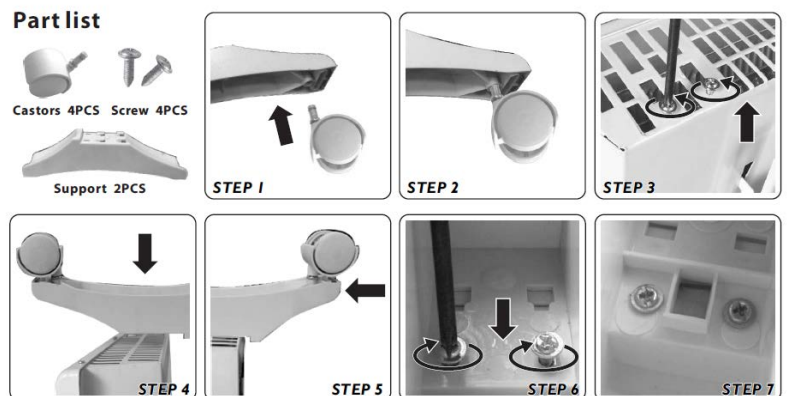
- This heater is hot when in use. To avoid burns, do not let bare skin touch hot surfaces. Always use the control panel or castor supports when moving the heater (when not wall mounted). Keep combustible materials such as furniture, pillows, bedding, papers, clothes and curtains at least 1 meter from the front & top of the heater and keep them at least 0.5 meters from the sides and rear. Do not cover.
- The heater has hot parts inside. It must NOT be used in potentially dangerous locations such as flammable, explosive, chemical-laden or wet atmospheres. This heater is intended for general indoor domestic use ONLY.
- This heater is not intended for use in wet or damp locations, such as a bathroom or any area containing a bath, shower, wash basin or close to water or damp items. Never locate a heater where it may fall into a bathtub or other water container. It must be positioned or installed so that the controls cannot be touched by a person in a bath or shower. Do not immerse the power cord in any liquid (including water).
- Never install or use the heater directly below a wall socket.
- When fixing on a wall, the heater must be level, securely fixed & at the correct height (check with local authorities if unsure). There must be at least 150mm between it and any barrier/wall to the sides, bottom or top to prevent overheating or damage.

FITTING CASTORS and WHEELS

Make sure the heater is unplugged from the mains power. Turn the heater upside down & rest on a protective surface. Place a castor bracket over the designated slots and slide into position. This will cause the screw hole to align. Securely fix in place screw provided. (do not over-tighten). Push the castors and wheels into the slots. Turn the heater right side up & it is ready to connect to mains power. Note: The heater gets hot when in use, so it is best not to move when in use. If it must be moved, use the castor brackets or control panel as points of contact.

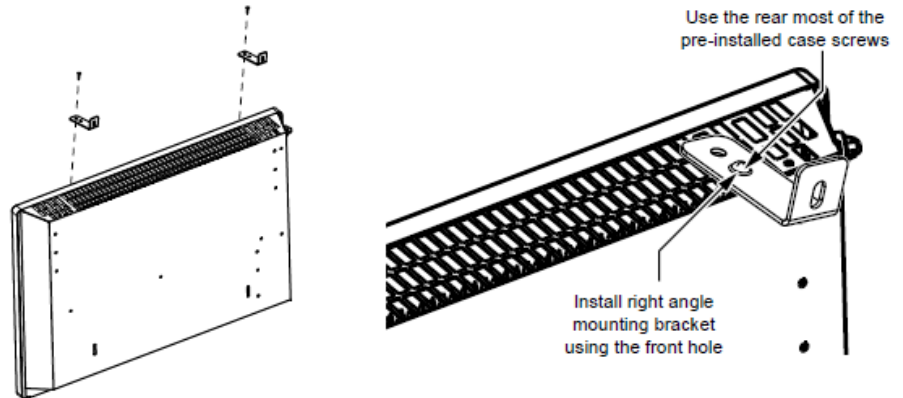
WALL MOUNTING

Do not fit the castors to the base of the heater. Make sure the heater is unplugged from the mains power and the wall is suitable for mounting the panel heater and there are the correct clearances. Make sure the panel heater is within 1 metre of a power socket. Mount the supplied wall mounting hooks using the mountings supplied. Ensure the screws used are appropriate for the screws used are appropriate for this application. Ensure the mountings are 525mm apart and 465mm above floor level.



Attach the supplied right angle mounting brackets to the underside of the heater (front hole of bracket) using the rear most of the pre installed case screws as shows in the diagram. Check for strength.

Carefully place the heater (slightly tilted forward) onto the hooks at the bottom of the bracket & rotate back so the clips fix back into their original holes. Check that they are fixed correctly. If possible, have a second person help to check for alignment as the heater is attached. The heater is now ready to connect to the mains power.



SAFETY FEATURES

1. A thermal overload protector is built in to prevent overheating. When an overheat temperature is reached, the heater will automatically shut off. It can only resume operation when the user resets the unit (see reset instructions below).

To reset your heater:

Unplug the heater and wait for 45 minutes for the unit to cool down. Then, turn on the unit again and operate normally.

2. The appliance has a tilt switch built into it so that if the appliance falls over, the element will stop working. Note that the numerical display does not change even though the elements are no longer running.

To reset your heater:

Turn the appliance off at the main power switch. Right the appliance back onto its castors NOTE: Take care as the appliance may be hot. Turn the power switch on.

CLEANING & MAINTENANCE

WARNING:



ALWAYS UNPLUG THE CORD BEFORE MOVING OR SERVICING, DO NOT IMMERSE HEATER IN WATER!

With the heater disconnected from the power, clean the exterior body of the heater with a soft damp cloth. Always make sure that the heater is completely dry before connecting back to the mains supply. A vacuum cleaner can be used to clean the inlets & outlets of dust & fluff. To clean behind a wall mounted unit, the mounting clips can be disconnected & the heater rotated slightly forward (a 2 person job). Please make sure the unit is properly resecured after.

CAUTION: Do not use gasoline, benzene, thinner, harsh cleaners, etc. as they will damage the heater. NEVER use ALCOHOL OR SOLVENTS.

STORAGE: Store the heater with these instructions in the original packaging, in a cool, dry place.

WEEE WARNING

This product should not be disposed of with household waste. Please recycle where facilities exist and check with your local authority for recycling advice.



SPECIFICATIONS

MODEL	INPUT POWER	RATED POWER	DIMENSIONS (NO CASTORS)	WEIGHT, N.W G.W
OAPE2000B/W	220-240Vac 50Hz	2000W	775x440x85mm (WxHxD)	6.1Kg, 7.3Kg

HINTS & TIPS

Where possible, your electric panel convection heater should be connected to a power outlet that uses a separate 10 amp power circuit than other items. This will avoid overloading your household fuse.

In the event that your household fuse is overloaded and trips, please note this is normally caused by the use of excessive power outlets at the same time your heater is operating (for example, a steam iron, kettle, toaster etc.). Please ensure to check the use of the power circuit and adjust when heater is in use (i.e. turn off the heater when boiling a kettle).

If your heater does not work:

- Check that power is available to the heater & it is plugged in & turned on.
- Check that the heater temperatures are set correctly for the ambient temperature.
- Check that the thermal cut-out has not activated (see safety features).
- Do not try to repair the heater.

Should you still experience difficulty contact Omega Altise Service for assistance.

It is important that you retain these instructions, proof of purchase as well as other important documents about this product for future reference.

Due to continual product development, Omega Altise reserves the right to alter specifications or appearances without notice.

Dispose of packaging responsibly – recycle where facilities are available.

A division of Shiro Australia Pty Ltd
104 Vanessa St Kingsgrove NSW 2208
In Australia: 1300 795 572
In New Zealand: (09) 415 6000
www.omegaltise.com

IM Ref: