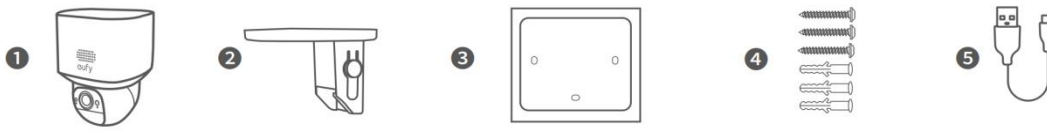


What's in the Box

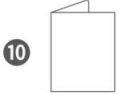
For Camera Installation



For Solar Panel Installation

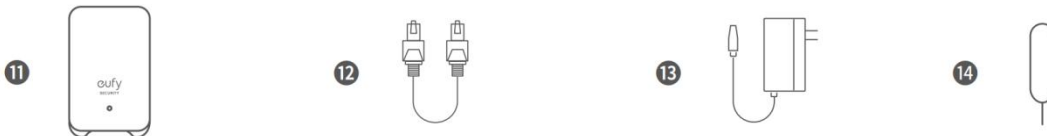


Others



For HomeBase Setup

***Only available in kits with HomeBase.**



- ① Camera
- ② Camera Mounting Bracket
- ③ Positioning Sticker for Camera Mount
- ④ Screw Pack (Camera)
- ⑤ USB-C Charging Cable
- ⑥ Solar Panel
- ⑦ Solar Panel Mounting Bracket
- ⑧ Positioning Sticker for Solar Panel Mount
- ⑨ Screw Pack (Solar Panel)
- ⑩ QSG
- ⑪ HomeBase 2

12 Ethernet Cable

13 Power Adapter

14 Reset Pin

Tools You Will Need



① Phillips Screwdriver

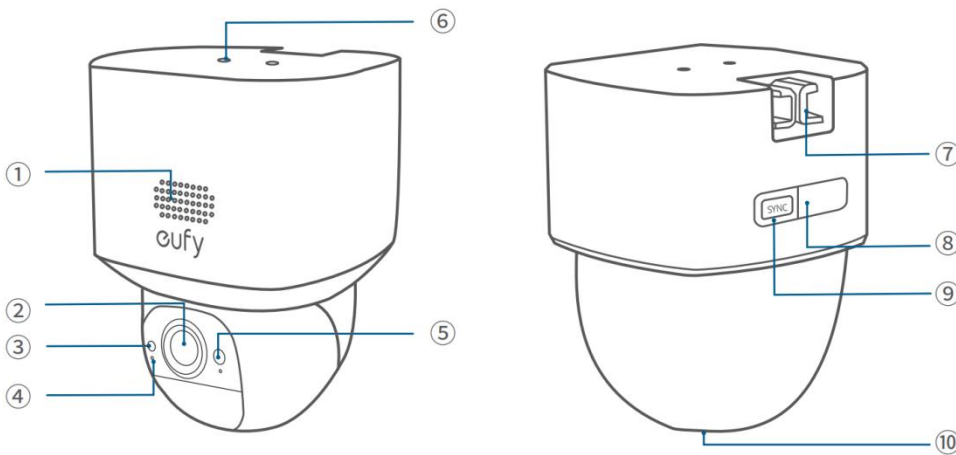
② Power Drill & Drill Bits

- Pilot Holes: 1.5 mm (1/16 in)
- Wall Anchors: 5.95 mm (15/64 in)

③ Hammer

④ Ladder

At a Glance



① Speaker

② Lens

③ Photosensitive Sensor

④ Microphone

⑤ LED Indicator

⑥ Solar Panel Mounting Hole

⑦ Mounting Hook

⑧ USB-C Charging Port

⑨ SYNC Button

⑩ microSD Card Slot

Before Mounting

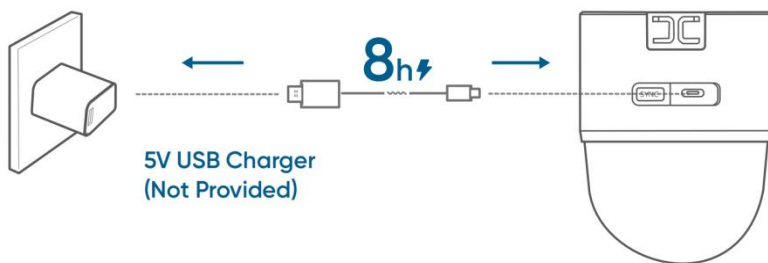
1. Download eufy App

Make sure your app is updated to the latest version.



2. Fully Charge the Cameras

Fully charge the cameras before first use.

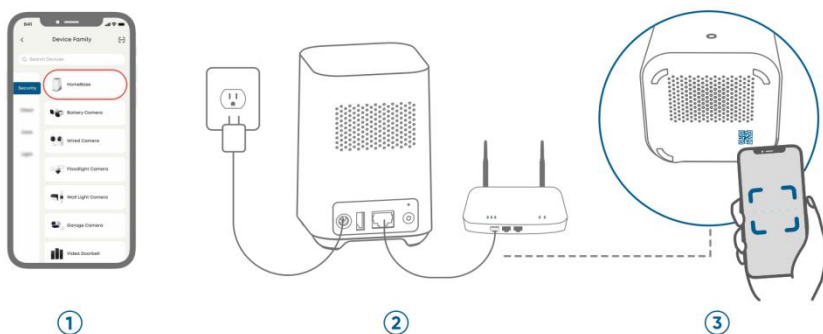


You can check the battery level in the app.

3. Add HomeBase (Optional)

Follow the in-app instructions to add HomeBase.

- ① Add HomeBase
- ② Connect
- ③ Scan via the app



①

②

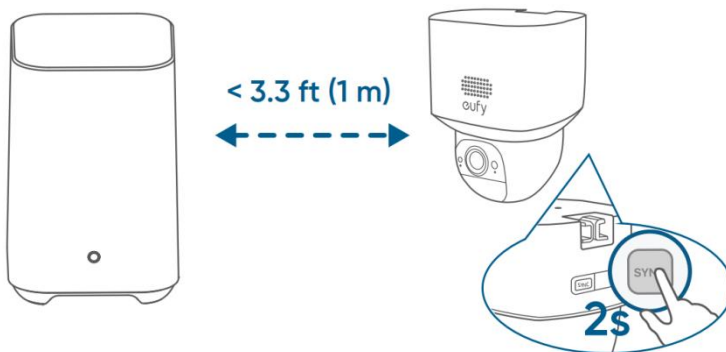
③

4. Add Cameras

① Add camera



② Sync with HomeBase



5. Recheck in the App

Check before installation:

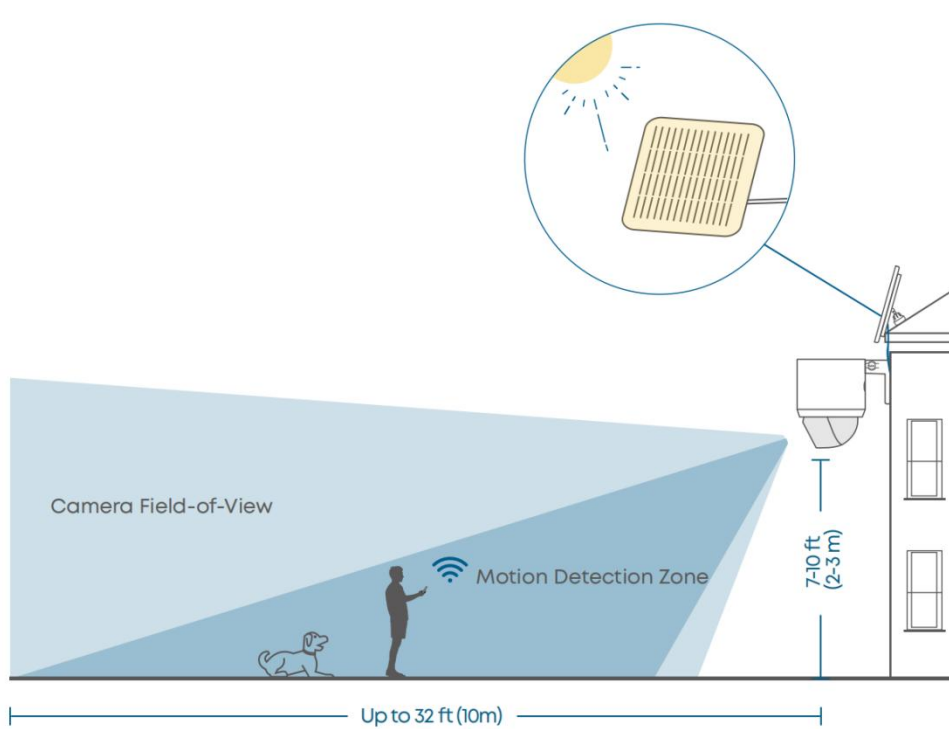
- Strong Wi-Fi signal
- Smooth live streaming



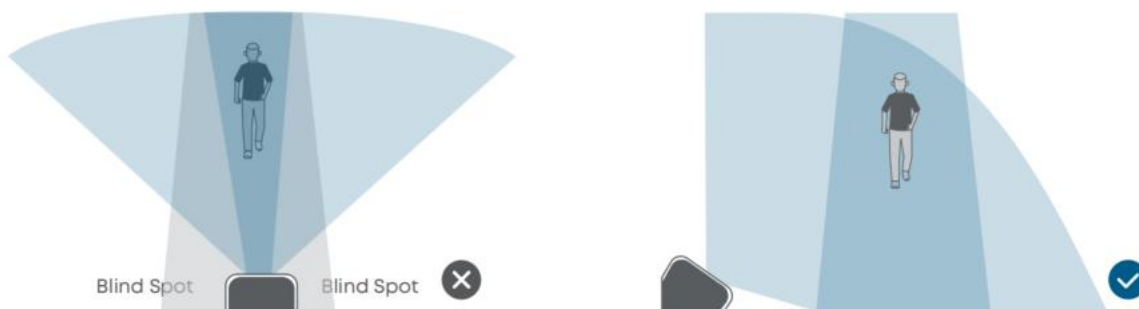
6. Choose a Location

Recommended location:

- Height of 2 m to 3 m (7 ft to 10 ft)
- Where solar panels get enough sunlight
- Strong Wi-Fi signal

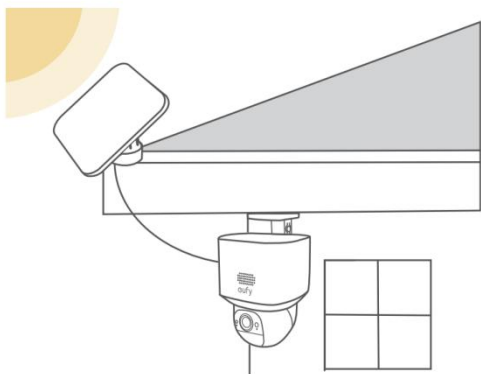


To avoid missed detections, install the cameras at an angle rather than directly facing the monitoring area.

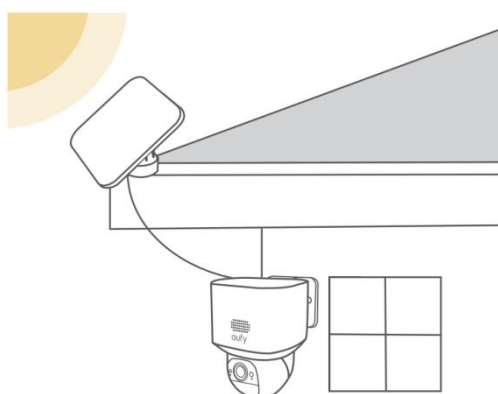


Mounting the Solar Panel

1. Flexible Mounting (Best Sunlight)

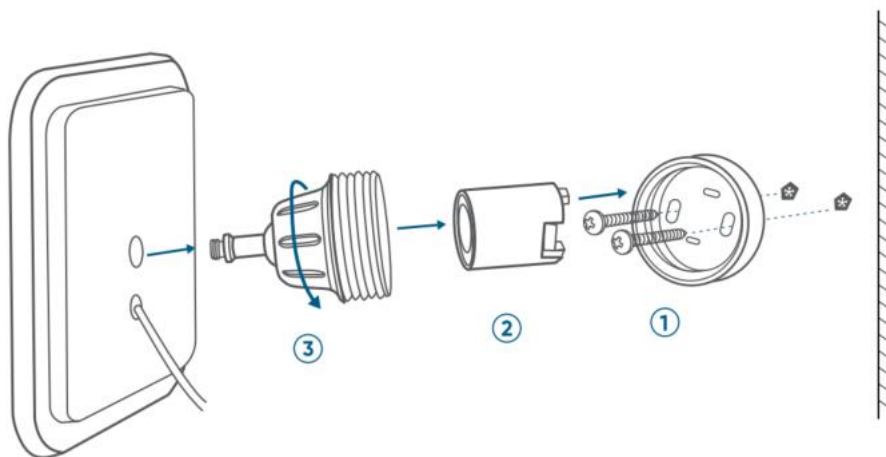


Top Mounting

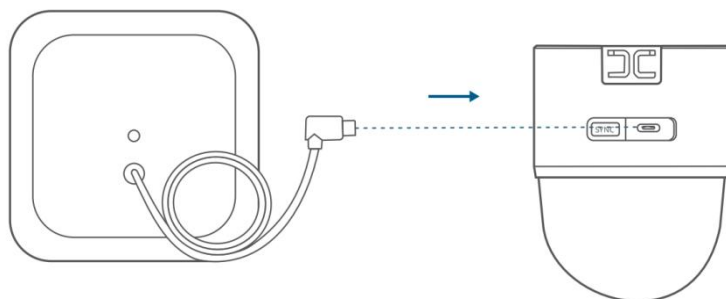


Wall Mounting

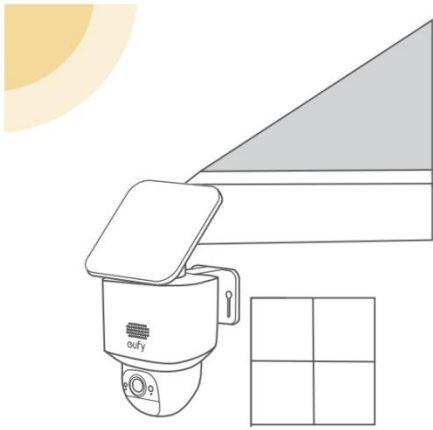
- ① Install the base
- ② Install the supporting piece
- ③ Screw the mounting bracket



- ④ Connect the solar panel to the camera

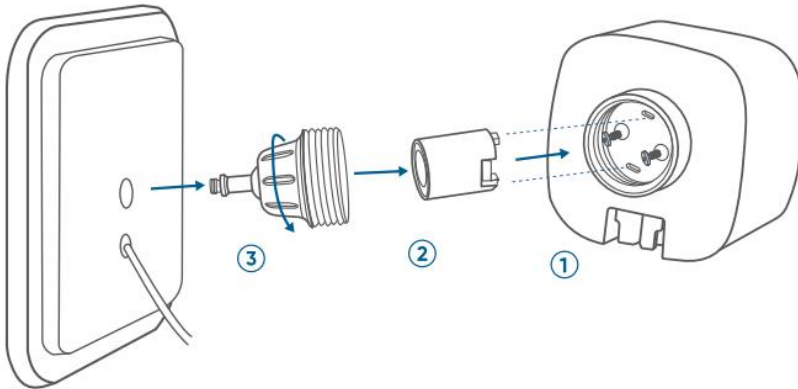


2. Integrated Mounting (Less Drilling)

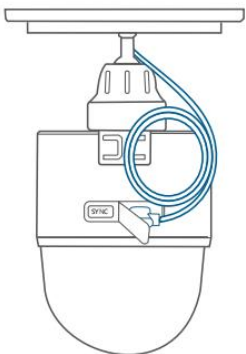


Wall Mounting Only

- ① Install the base
- ② Install the supporting piece
- ③ Screw the mounting bracket



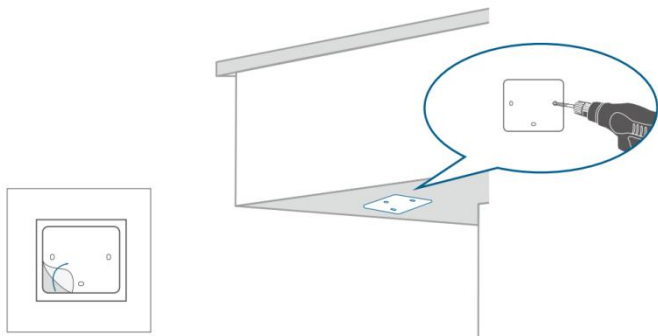
- ④ Connect the solar panel to the camera



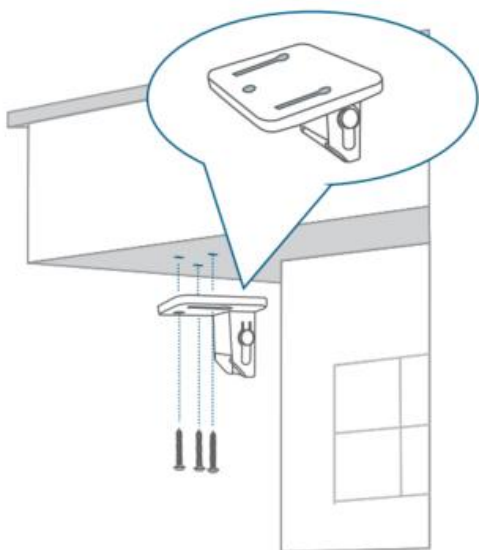
Mount the Camera

1. Top Mounting

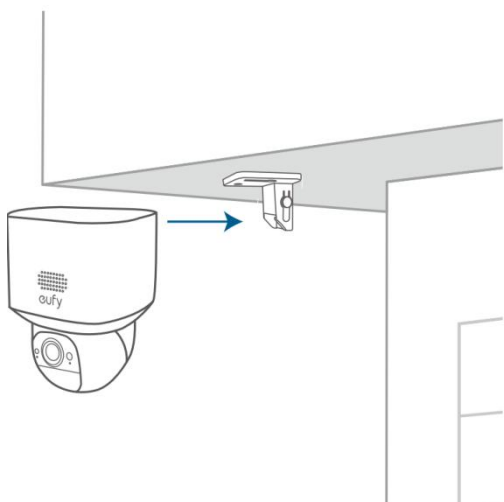
① Position & Drill holes



② Install the Mounting Bracket

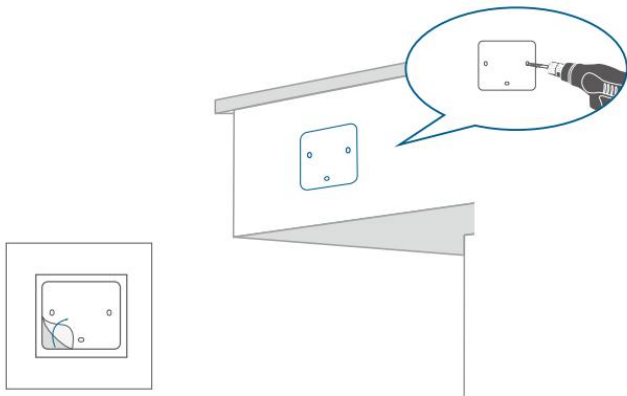


③ Insert the camera

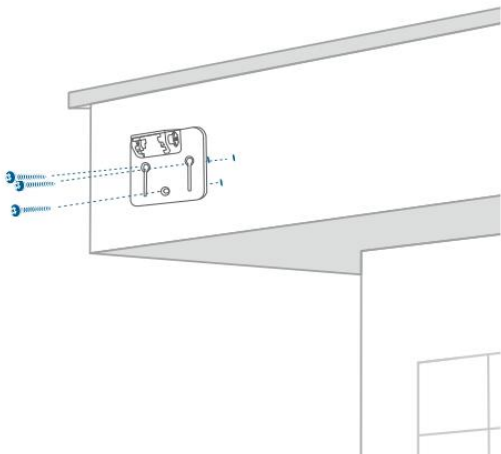


2. Wall Mounting

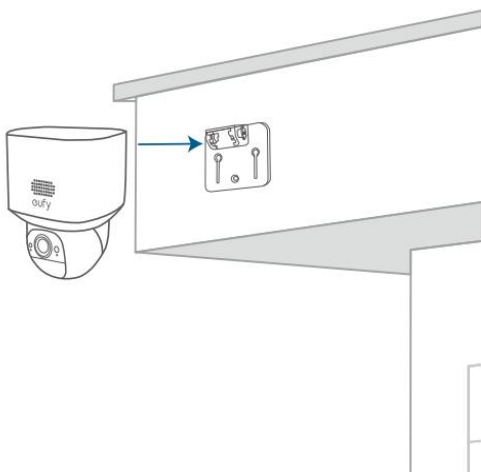
① Position & Drill holes



② Install the Mounting Bracket



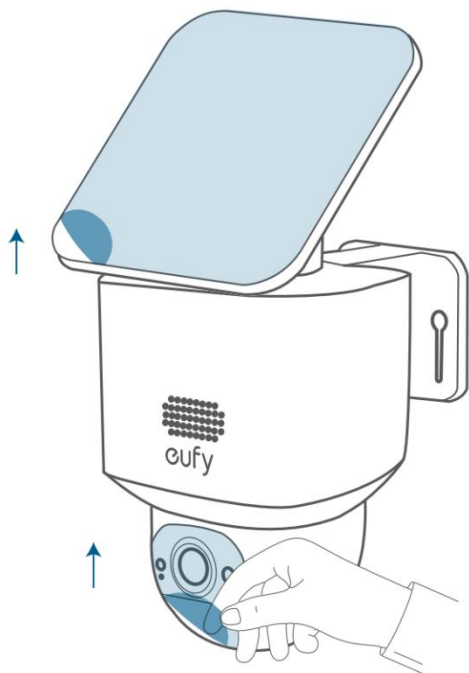
③ Insert the camera



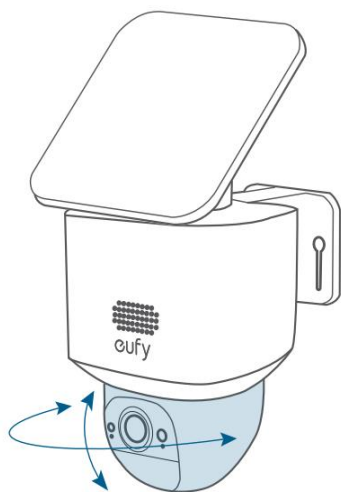
After Mounting

Adjust the Camera Field of View

- ① Remove the protective film

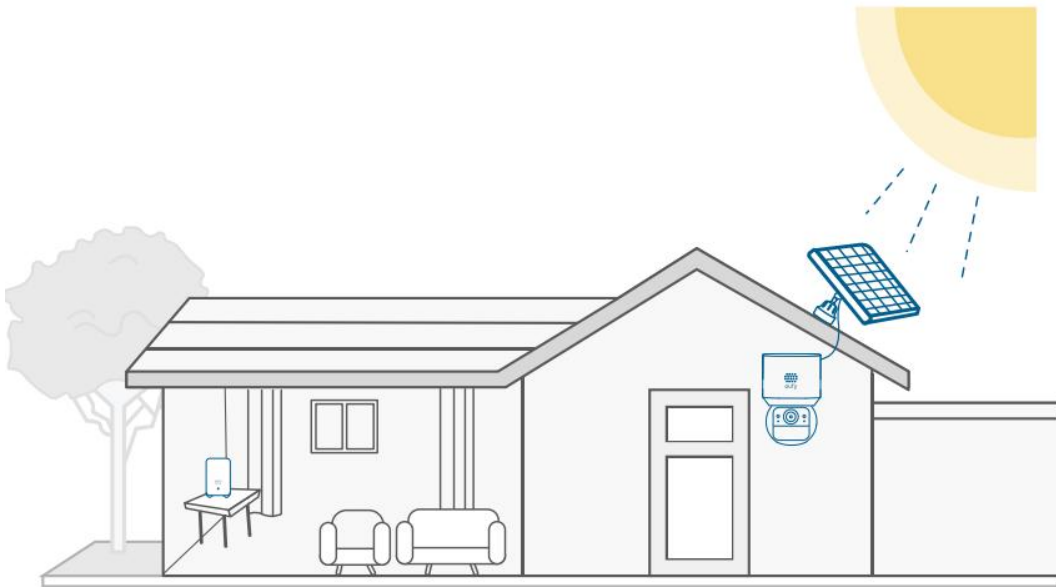


- ② Rotate the camera to the optimal angle



Find Out More

Congratulations! Now you're all set to use your SoloCam E30!
Please explore more in the eufy app.



Other Information

Model: T8171

1. Power consumption in low power: $\leq 0.5\text{ W}$;

When the product is fully charged and supplied by the EPS, it enters the low power consumption condition after 1 minute.

2. Recommended external adapter:

Brand: ANKER

Manufacturer: Anker Innovations Limited

Model: A2337

Input: 100-240V~ 1.0A, 50-60Hz

Output: 5.0VDC, 2.0A, 10W

Model: T8010

1. Networked standby mode: $\leq 7\text{ W}$;

When the product is connected to the router via the RJ45 port and provides Wi-Fi signal to T8171, in case of no data transmission, it enters the networked standby mode after 1 minute.

When the product is disconnected from the RJ45 port and does not provide Wi-Fi signal to T8171, in case of no data transmission, it enters the networked standby mode after 1 minute.

2. Adapter information:

Brand: Keyu

Manufacturer: Shenzhen Keyu Power Supply Technology Co., Ltd.

Model: KA2401A-2001200EU

Input: 100-240V~, 50/60Hz or 50-60Hz, 0.65A Max

Output: 20.0VDC, 1.2A, 24.0W