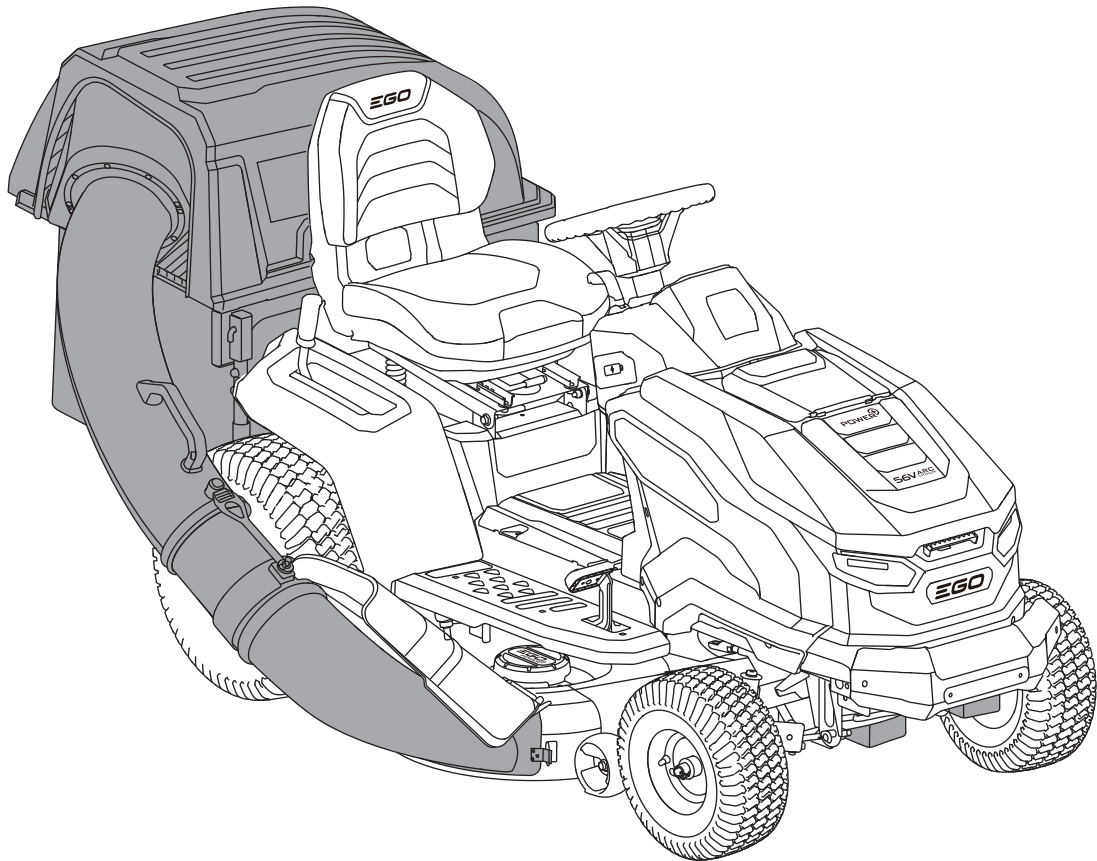


# EGO™



**THIS GRASS BAGGER KIT IS  
DESIGNED TO ONLY BE USED WITH  
EGO POWER+ ELECTRIC LAWN TRACTOR  
TR4200/TR4200-FC.**

**Français p. 15**

**Español p. 31**

## OPERATOR'S MANUAL **GRASS BAGGER KIT**

**MODEL NUMBER ABK4200T**



**WARNING:** To reduce the risk of injury, the user must read and understand the Operator's Manual before using this product. Save these instructions together with the tractor manual for future reference.

## TABLE OF CONTENTS

Packing List . . . . .	3-4
Assembly & Installation . . . . .	5-11
Operation . . . . .	12
Warranty . . . . .	13-14

## SAFETY SYMBOLS

The purpose of safety symbols is to attract your attention to possible dangers. The safety symbols and the explanations with them deserve your careful attention and understanding. The symbol warnings do not, by themselves, eliminate any danger. The instructions and warnings they give are no substitutes for proper accident prevention measures.

**⚠ WARNING:** Be sure to read and understand all safety instructions in this Operator’s Manual, including all safety alert symbols such as “**DANGER**,” “**WARNING**,” and “**CAUTION**” before using this machine. Failure to follow all instructions listed below may result in electric shock, fire, and/or serious personal injury.

The definitions below describe the level of severity for each signal word. Please read the manual and pay attention to these symbols.

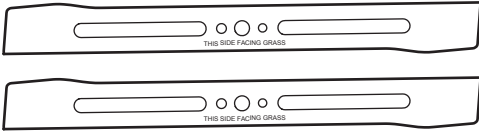
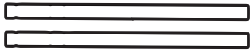
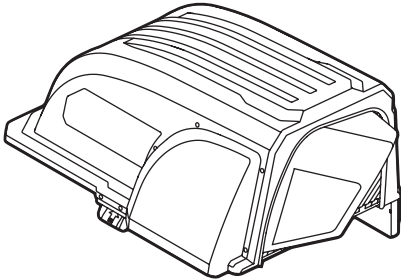
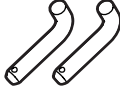

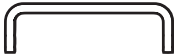

	This is the safety alert symbol. It is used to alert you to potential personal injury hazards. Obey all safety messages that follow this symbol to avoid possible injury or death.
<b>⚠ DANGER:</b>	DANGER indicates a hazardous situation which, if not avoided, will result in death or serious injury.
<b>⚠ WARNING:</b>	WARNING indicates a hazardous situation which, if not avoided, could result in death or serious injury.
<b>⚠ CAUTION:</b>	CAUTION, used with the safety alert symbol, indicates a hazardous situation which, if not avoided, will result in minor or moderate injury.

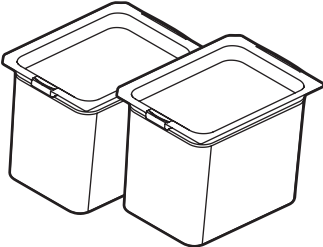
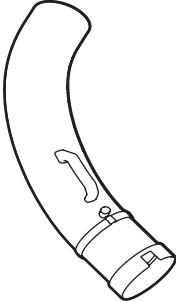
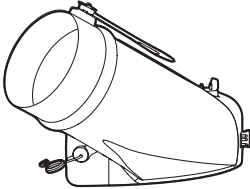
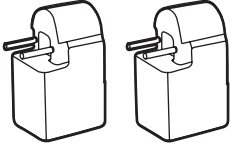

### DAMAGE PREVENTION AND INFORMATION MESSAGES

These inform the user of important information and/or instructions that could lead to equipment or other property damage if they are not followed. Each message is preceded by the word “NOTICE”, as in the example below:

**NOTICE:** Equipment and/or property damage may result if these instructions are not followed.

# PACKING LIST

PART NAME	FIGURE	QUANTITY
Bagging blade		2
Post		2
Top cover assembly		1
Lock pin		2
Retention pin		2
Crossbar		1
Hexagon head bolt and nut set	<p data-bbox="776 1644 862 1675">M8x70</p> 	4

<p>Bagger assembly</p>		<p>2</p>
<p>Upper chute tube assembly</p>		<p>1</p>
<p>Lower chute tube assembly</p>		<p>1</p>
<p>Counterweight</p>		<p>2</p>
<p>Nut</p>	<p>M8 </p>	<p>4</p>

## ASSEMBLY & INSTALLATION

**⚠ WARNING:** The grass bagger kit is designed to only be used with EGO electric lawn tractor TR4200/TR4200-FC.

**⚠ WARNING:** If any part is damaged or missing, do not assembly this product until the part is replaced. Use of this product with damaged or missing parts could result in serious personal injury.

**⚠ WARNING:** Do not attempt to modify this product or create accessories not recommended. Any such alteration or modification is misuse and could result in a hazardous condition leading to serious personal injury.

**⚠ WARNING:** Before assembly or installation, place the electric lawn tractor on a firm and level surface and set the parking brake. Stop the motors and remove the safety key to prevent unintended starting.

### UNPACKING

- This product requires assembly and installation on the electric lawn tractor.
- Carefully remove all items from the box. Make sure that all items listed in the packing list are included.
- Inspect the tool carefully to make sure that no breakage or damage occurred during shipping.
- Do not discard the packing material until you have carefully inspected and satisfactorily operated the tool.
- If any part is damaged or missing, please return the product to the place of purchase.

### REPLACE THE BLADE

**⚠ WARNING:** The bagging blades must be used in conjunction with the grass bagger. Use of bagging blades without the grass bagger installed in place could result in serious personal injury.

#### To Remove the Cutting Blades

**⚠ WARNING:** Always protect your hands by wearing heavy gloves or wrapping the cutting edges with rags or other materials when performing any maintenance on the blade(s). Always remove the safety key and battery packs when servicing or transporting the tractor.

**NOTICE:** The following tools (not included) are required for replacing the blade:

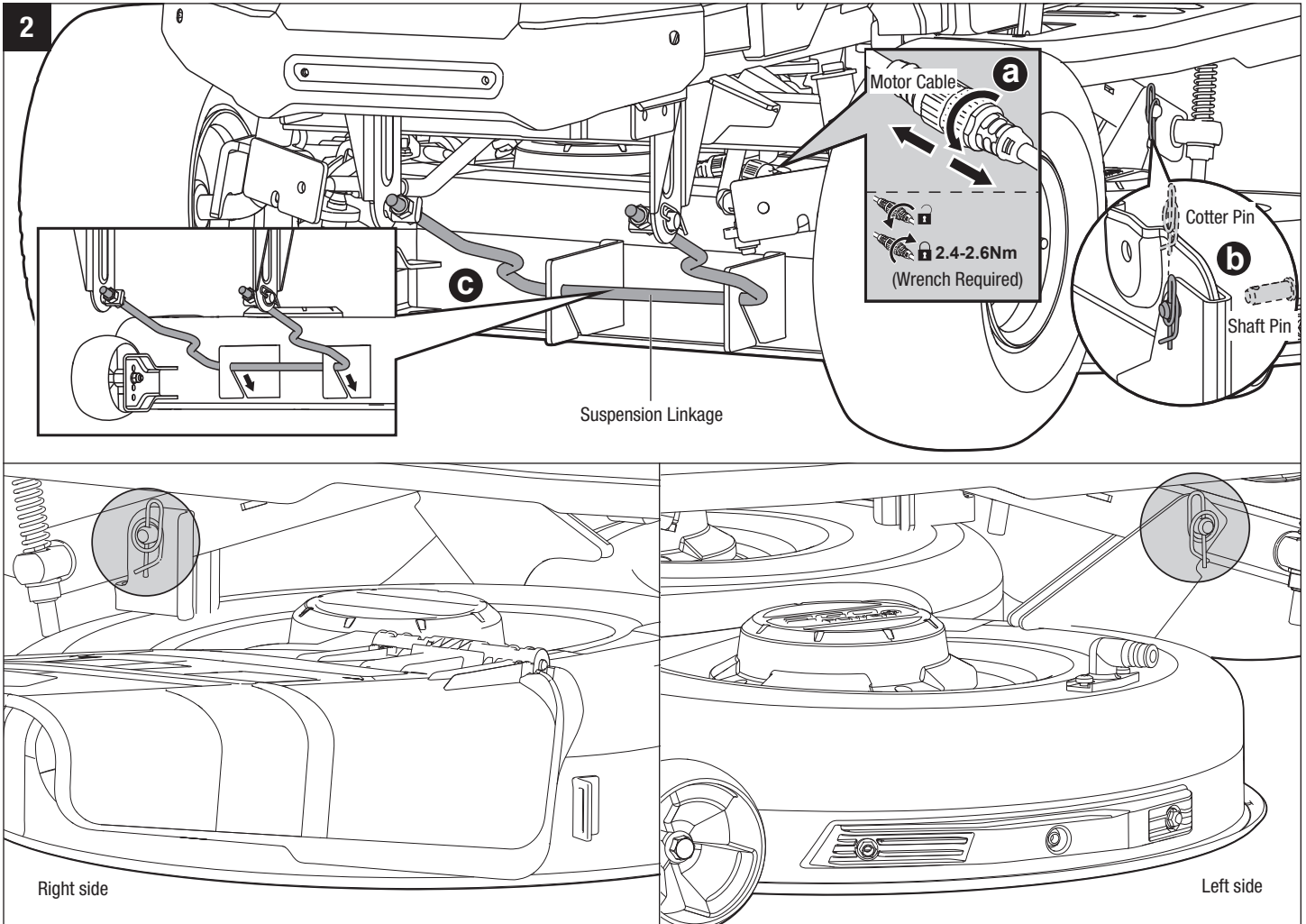
- Torque wrench with 14 mm sockets;
- Screwdriver or metal rod 5/16 in. (8 mm) or a little less.
- Screwdriver or metal rod 1/4 in. (6.35 mm) or a little less.

**Tools that make life easier:** Impact wrench with 14 mm sockets make the removing the blade bolts much easier.

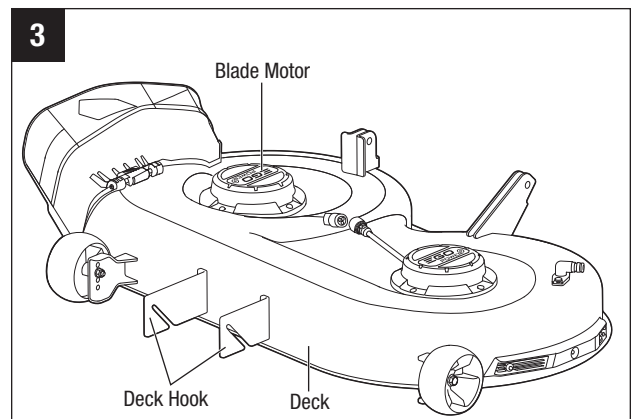
1. Park the tractor on a level surface.
2. Turn off the tractor, engage the parking brake, and remove the batteries. Allow the cutting blades to come to a complete stop.
3. Adjust the deck-height-adjustment lever to the lowest cutting height position (Fig. 1).



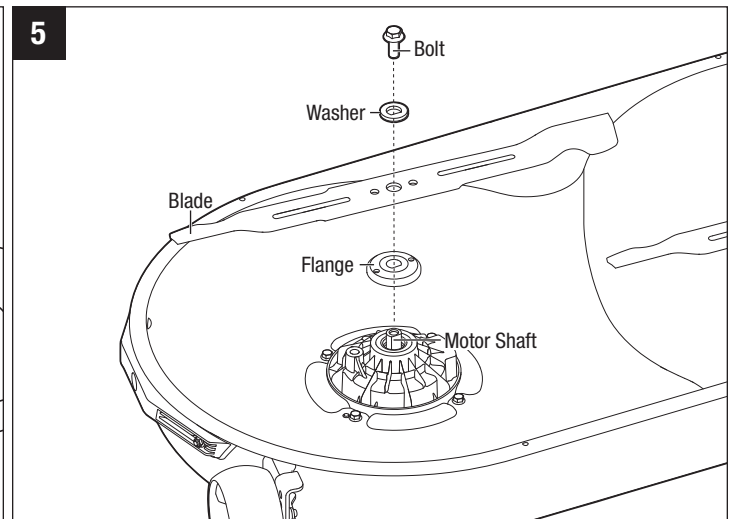
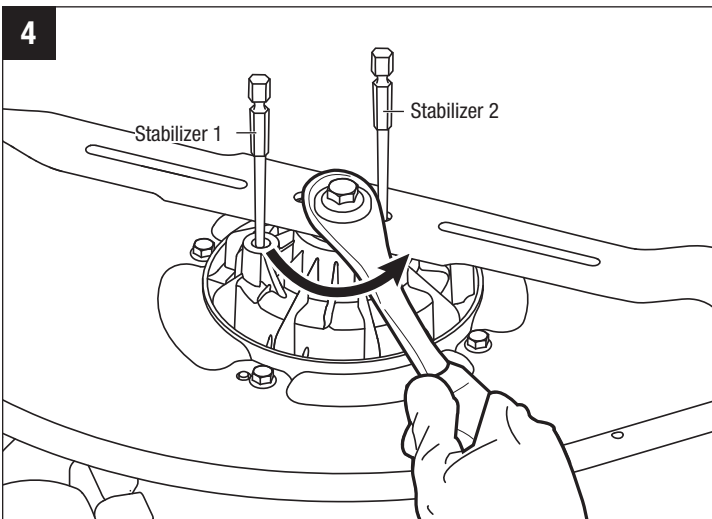
4. Disconnect both blade motor cables (Fig. 2).
5. Place a rug or a mat (similar in size to that of the deck) under the deck to prevent the damage to the deck.
6. Remove the cotter pins and push the shaft pins out. Save both sets for deck re-assembly (Fig. 2).
7. Push the deck backward (towards the rear wheels) and rotate the suspension linkage clockwise to release it from the deck hooks (Fig. 2).



8. Pull the rug/mat (with the deck on it) sideways to remove them from under the tractor (Fig. 3).
9. Flip the deck on the ground so that the blades face upward.



10. While wearing protective gloves, place a screwdriver or metal rod 5/16 in (8 mm) or a little less in diameter into the fixing hole in the motor to act as a stabilizer. Place another screwdriver or metal rod 1/4 in (6.35 mm) or a little less in diameter (e.g., a bit) into the aligned hole in the blade and the flange to act as another stabilizer (Fig. 4).
11. Use a 14 mm wrench (not included) to turn the blade bolt counterclockwise to loosen it (Fig. 4).
12. While wearing protective gloves, remove the bolt, washer and the blade (Fig. 5). The flange can be saved on the motor shaft.
13. Repeat the steps with the other blade.

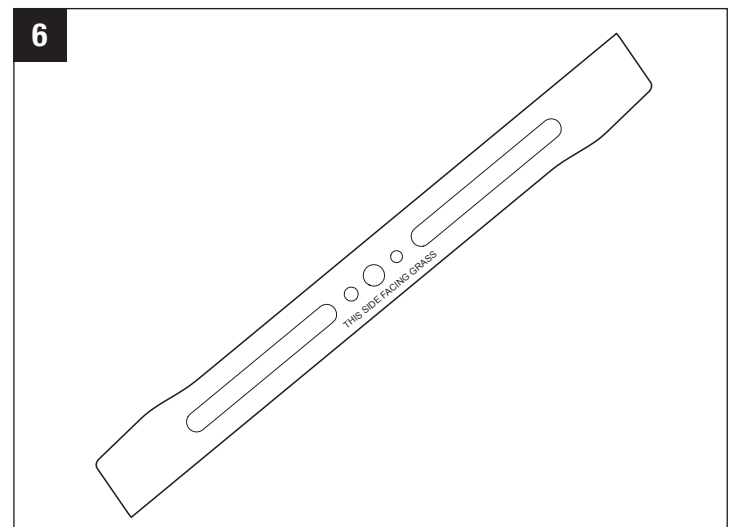


### To Install the Bagging Blades

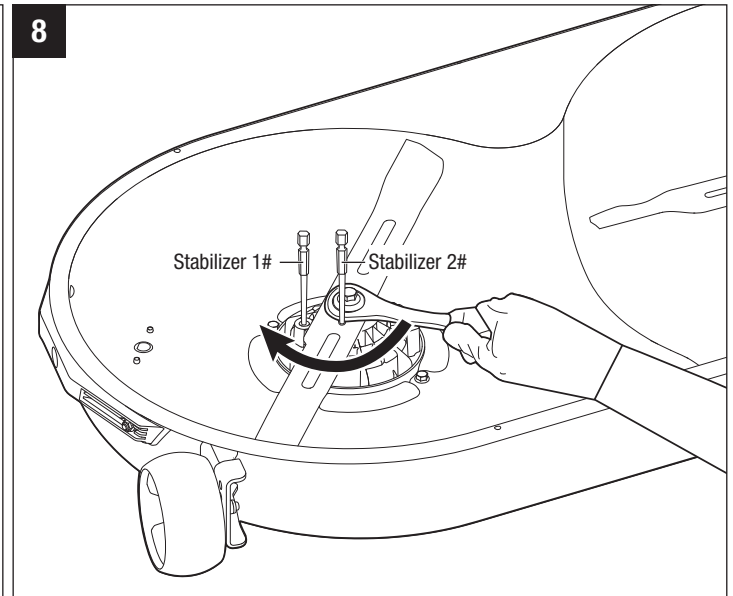
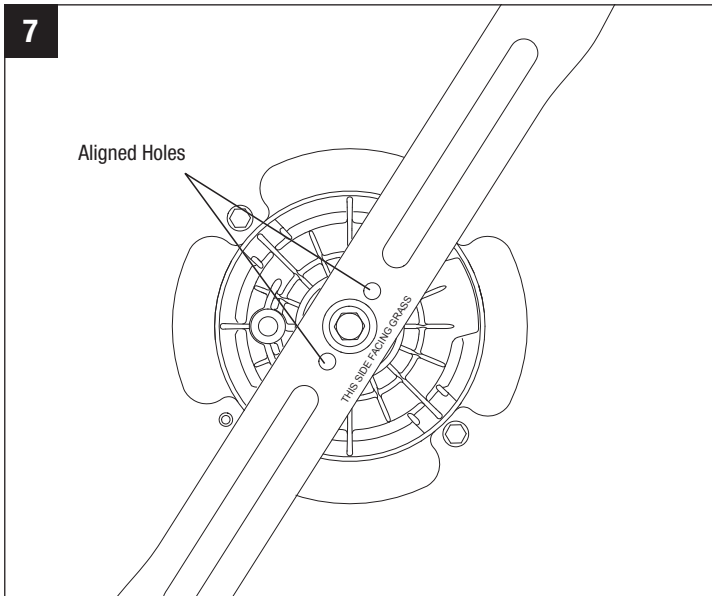
**⚠ WARNING:** Always protect your hands by wearing heavy gloves or wrapping the cutting edges with rags or other materials when performing any maintenance on the blade(s). Always remove the safety key and battery packs when servicing or transporting the tractor.

**NOTICE:** To install the bagging blades, make sure that all parts are replaced in the exact order in which they are removed (Fig. 5).

1. If the flange is removed during blade removing, align it with the motor shaft first and then assemble it into place.
2. While wearing protective gloves, position the bagging blade on the flange with the surface stating “**THIS SIDE FACING GRASS**” facing toward outside (Fig. 6).
3. Align the washer with the motor shaft and mount it onto the motor shaft.
4. Mount the bolt into the motor shaft. Hand-tighten the bolt clockwise.



5. Move the blade by hand to align the two holes in the blade with the two holes in the flange (Fig. 7).
6. Place a screwdriver or metal rod 1/4 in (6.35 mm) or a little less in diameter (e.g., a bit) into the aligned hole in the blade and the flange to act as a stabilizer. Place another screwdriver or metal rod 5/16 in (8 mm) or a little less in diameter into the fixing hole in the motor to act as a stabilizer (Fig. 8).

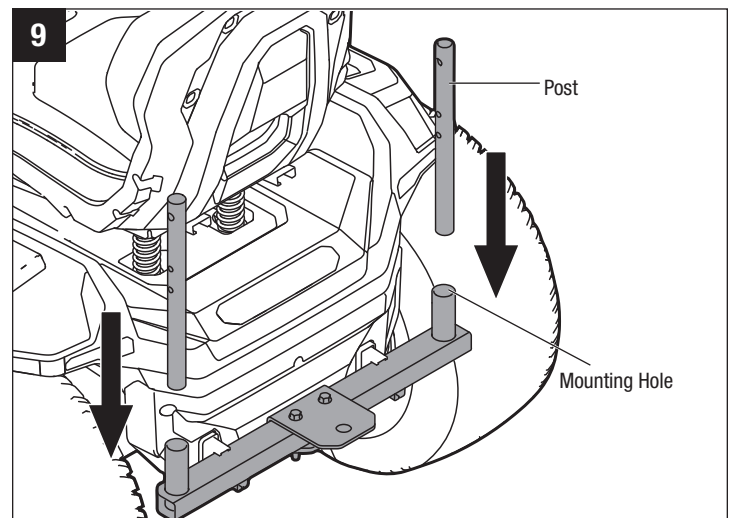


7. Use a 14 mm torque wrench to tighten the bolt clockwise. The recommended torque for the blade bolt is 36-41 ft-lb (50-55 Nm).
8. Repeat the steps with the second blade.
9. Reassemble the deck onto the tractor in the reverse order.

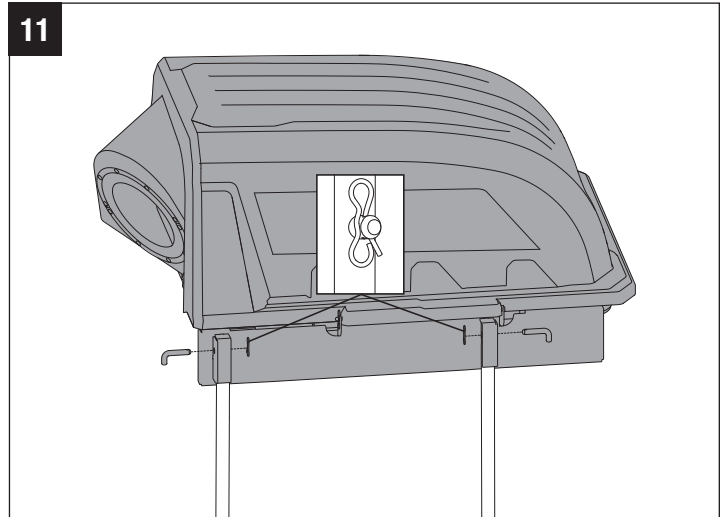
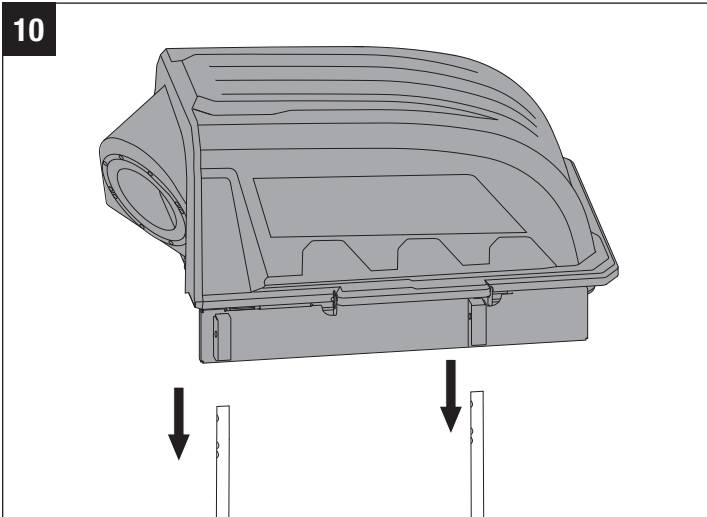
**⚠ WARNING:** Ensure that the bagging blades are properly seated and the blade bolts are tightened to the torque specifications above. Failure to properly attach the blades could cause them to come loose and result in possible serious personal injury.

### ASSEMBLY AND INSTALLATION OF GRASS BAGGER

1. Make sure the attachment rack has been installed onto the tractor. Follow the instructions in the tractor manual for the installation.

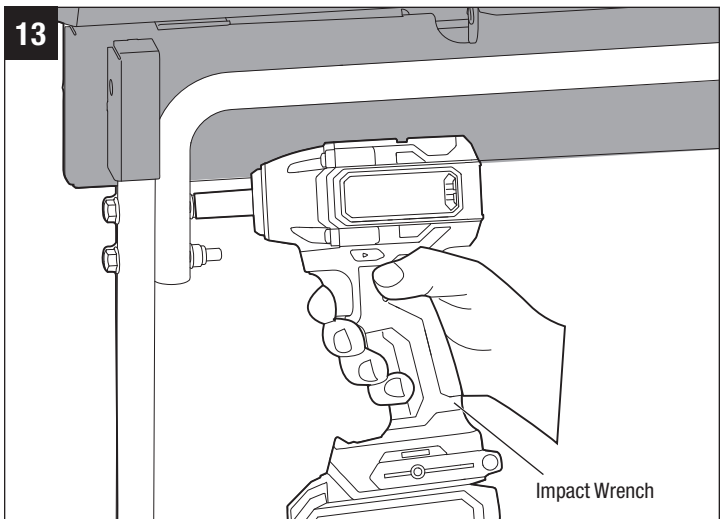
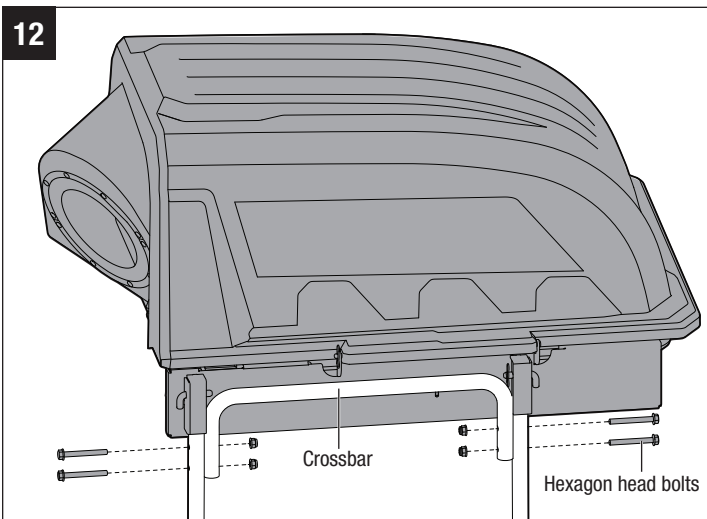


2. Insert the posts into the mounting holes of the tractor as shown (Fig. 9).
3. Lift the top cover assembly above the posts and lower it so that the upper tips of the posts are inserted into the top cover assembly as shown (Fig. 10). To simplify the process, it is recommended that two persons perform this step.



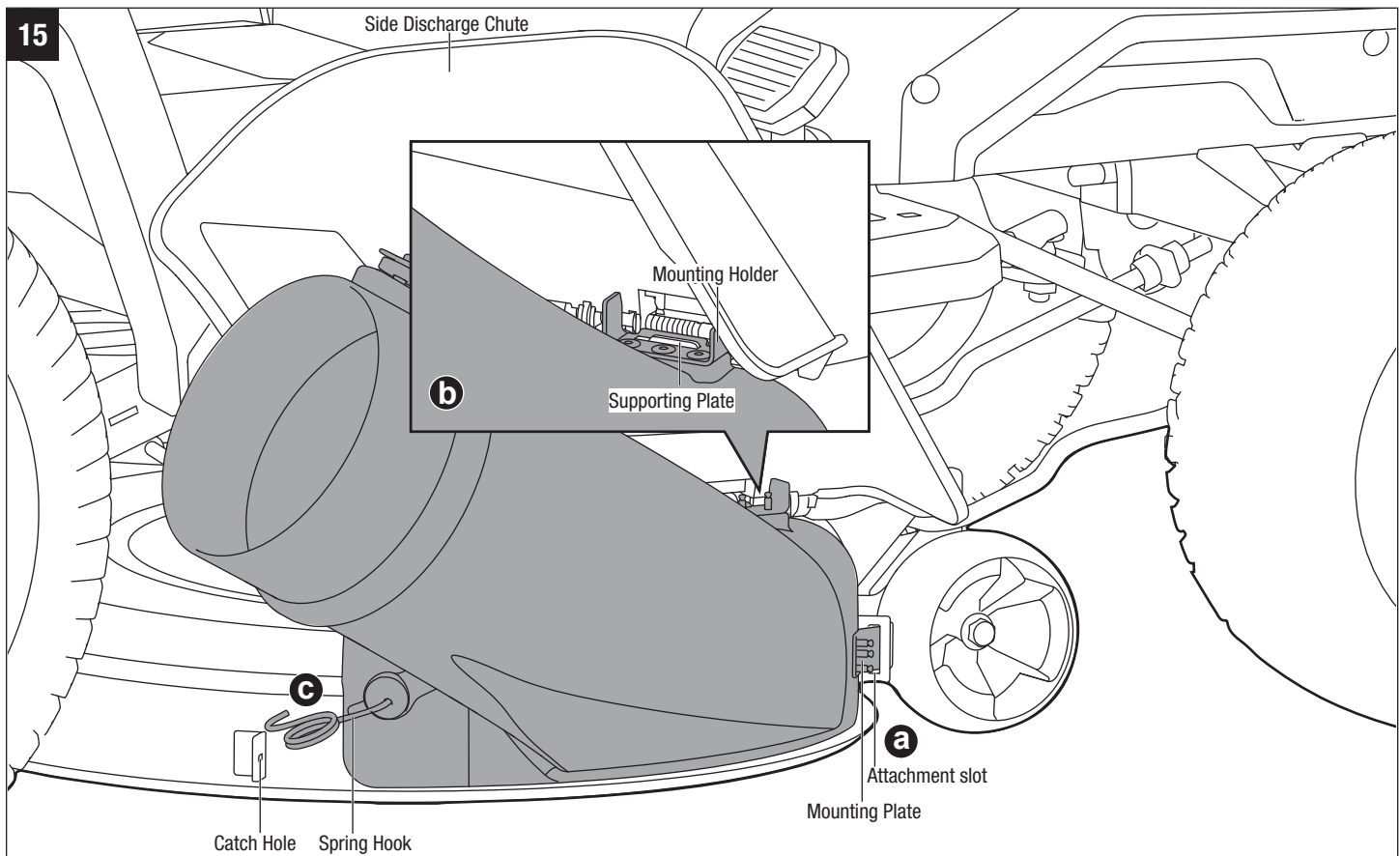
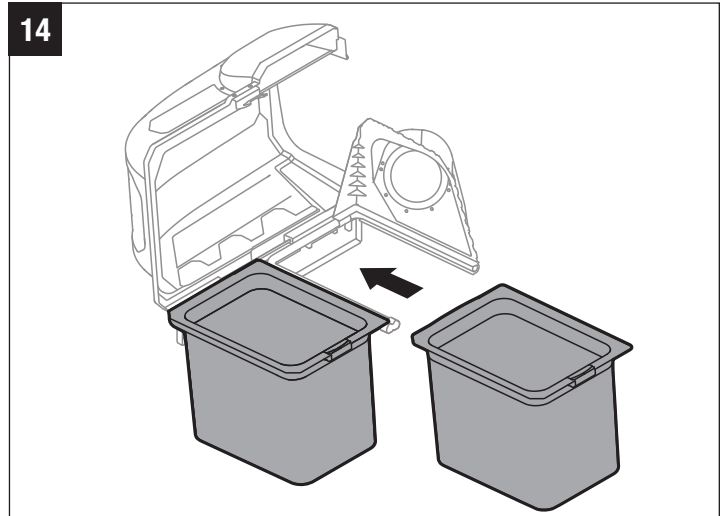
Insert two lock pins into the holes and secure them with the retention pins (Fig. 11).

4. Hold the crossbar between the posts to align the two mounting holes on both ends of the crossbar with the two lower mounting holes of each post. Pre-install four hexagon head bolts on both sides and finger-tighten the bolts and nuts (Fig. 12).
5. Securely tighten all four bolts on both sides by an impact wrench with a 1/2" (13mm) socket (not included) (Fig. 13).

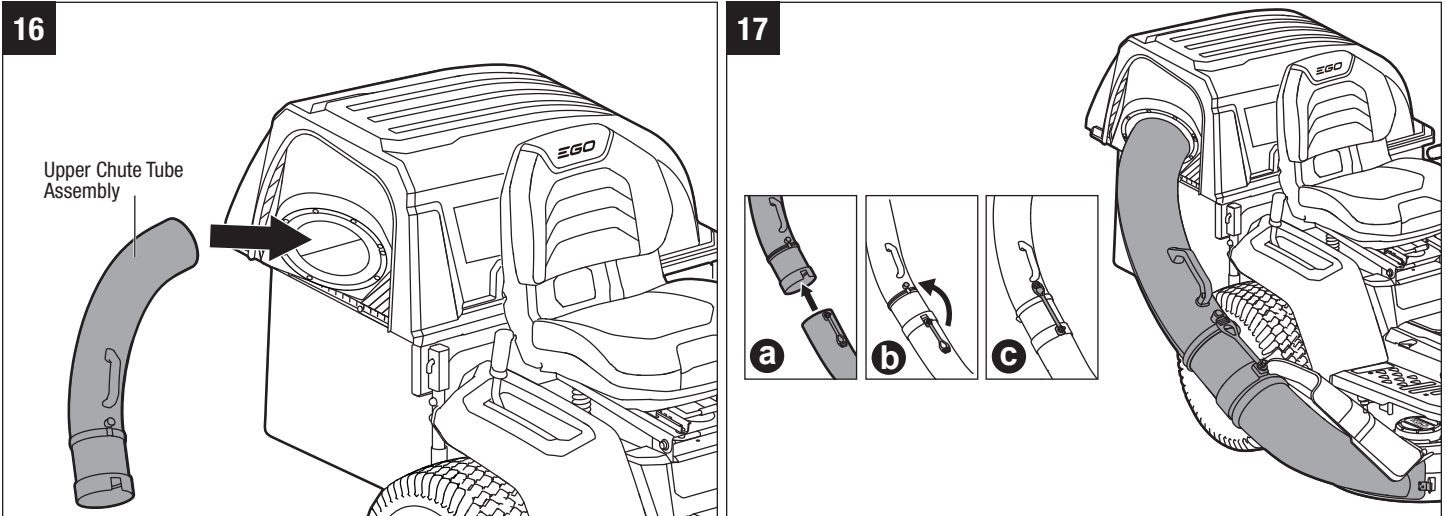


**⚠ WARNING:** Use of this product with improperly secured bolts could result in serious personal injury.

6. Open the cover of the grass bagger by pushing the cover handle in first and then lifting the cover handle, then install both grass bags onto the top cover assembly by inserting the front edge in first, and then setting the back edge down until it fits into the assembly as shown in Fig. 14.
7. With the side discharge chute of the tractor raised up and held open, install the lower chute tube assembly on the tractor by following these three steps (Fig. 15):
  - a. Insert the mounting plate into the attachment slot of the tractor.
  - b. Align the supporting plate on the tractor with the slot of the mounting holder and insert it in it.
  - c. Stretch the spring hook to secure it to the catch hole of the tractor.



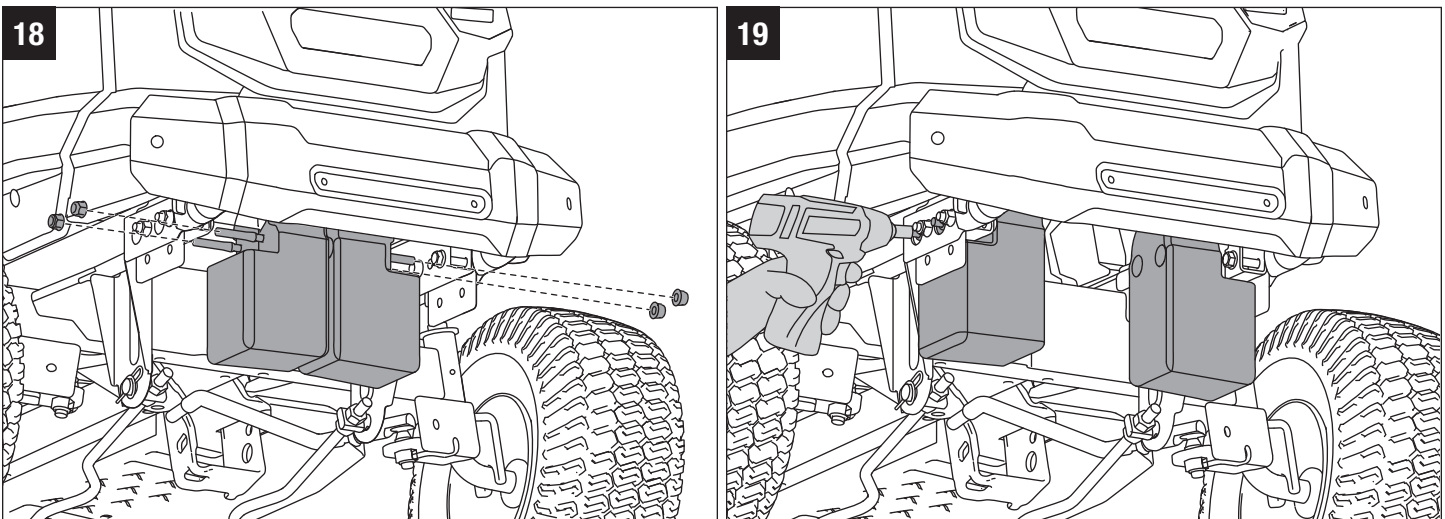
8. Insert the top of the upper chute tube assembly into the top cover assembly (Fig. 16).
9. With the bulge aligned with the notch, slide the upper chute tube assembly into the lower chute tube assembly. Stretch the rubber buckle until it is hooked onto the upper chute tube (Fig. 17).



### INSTALL THE COUNTERWEIGHTS

**⚠ WARNING:** The counterweights are required when operating the electric lawn tractor equipped with the grass bagger. Failure to install the counterweights may result in serious injury or death.

1. Insert the two counterweights on the front of the tractor as shown in Fig. 18.
2. Pre-install four nuts on the bolts of both counterweights and finger tighten the nuts. Then securely tighten all four nuts by an impact wrench with a 1/2" (13 mm) socket (not included) as shown in Fig. 19.



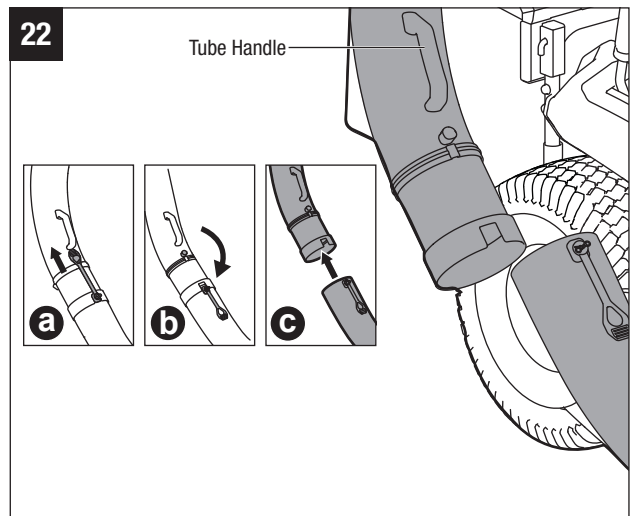
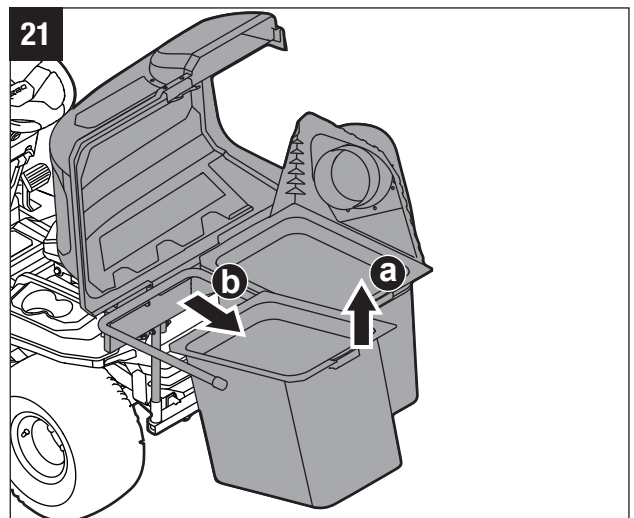
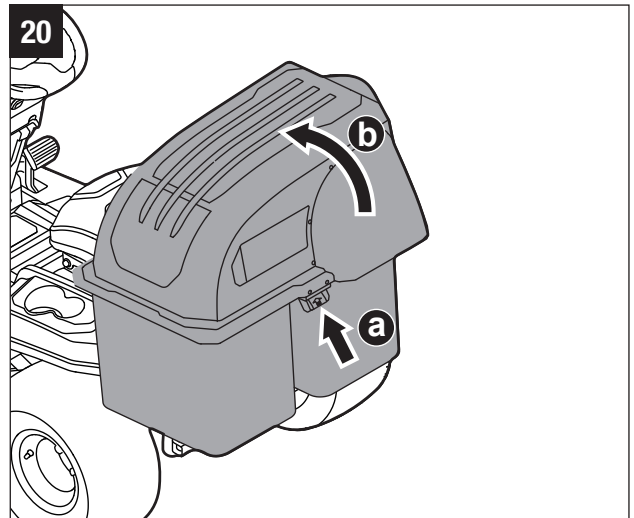
## OPERATION

When both grass baggers are full, place the electric lawn tractor on a firm and level surface and set the parking brake. Stop the motors and remove the safety key to prevent unintended starting.

1. Open the cover of grass bagger by pushing the cover handle in first and then lifting the cover handle (Fig. 20).
2. Remove both bagger assemblies by lifting the front edge up first, and then sliding the back edge forward and up until it is clear of the frame (Fig. 21).
3. Empty the grass clippings at a proper disposal site.
4. Replace both bagger assemblies and close the cover. Restart your tractor to resume cutting your grass.

When the grass clippings are blocked in the chute tube, place the electric lawn tractor on a firm and level surface and set the parking brake. Stop the motors and remove the safety key to prevent unintended starting.

1. Stretch the rubber buckle to unlock the upper and lower chute tube (Fig. 22).
2. Hold the tube handle to slide out the upper chute tube. Grab the tube handle to pour out the clogged grass clippings at a proper disposal site (Fig. 22).
3. Replace the upper chute tube assembly. Restart your tractor to resume cutting your grass.



---

## EGO LIMITED WARRANTY

### WARRANTY POLICY TERMS AND DURATION

Chervon North America, Inc. (“Chervon North America”) provides the following Limited Warranty for EGO products to the original purchaser of EGO products.

The detailed warranty period for each EGO product can be found online at

<http://egopowerplus.com/warranty-policy>.

**Please contact EGO Customer Service Toll-Free at 877-346-9876 (877-EGO-ZTRM)** any time you have questions or warranty claims or would like a hard copy of the warranty.

### LIMITED SERVICE WARRANTY

EGO products are warranted against defects in material or workmanship from the date of original retail purchase for the applicable warranty period. For any properly and timely submitted warranty claim, if Chervon North America determines a product to be defective during the warranty period, the product will receive free repair or replacement as determined by Chervon North America.

### HOW TO OBTAIN SERVICE

For warranty service, within the applicable warranty period, please contact EGO customer service toll-free at **877-346-9876 (877-EGO-ZTRM)**. When requesting warranty service, you must present the original dated sales receipt. An authorized service center will be selected to evaluate and repair the product if defective according to the stated warranty terms. When bringing your product to the authorized service center, there may be a small deposit that will be required when dropping off your tool. This deposit is refundable when the repair service is deemed to be covered under warranty.

### ADDITIONAL LIMITATIONS & EXCLUSIONS

This limited warranty applies only to the original purchaser from an authorized EGO retailer and is not transferable. EGO products shall not be considered defective, and this warranty will not apply, where the claimed defect is attributable to any cause other than the above-defined defects. This warranty shall be void if the product has been used for rental purposes. This warranty shall not apply to damage caused by accident, abuse, misuse, alteration, modification, unauthorized repair, liquid contact, fire, earthquake or other external cause; operating the product outside EGO’s instructions, specifications or guidelines; or failure to properly service or maintain the product. This warranty also does not apply to cosmetic damage, including but not limited to scratches or dents; defects caused by normal wear and tear or otherwise due to the normal aging of the product.



THIS EXPRESS WARRANTY IS GIVEN IN LIEU OF ALL OTHER WARRANTIES, EXPRESS OR IMPLIED, INCLUDING, BUT NOT LIMITED TO, ANY WARRANTIES OF MERCHANTABILITY OR FITNESS FOR PARTICULAR PURPOSE OR USE, WHICH ARE DISCLAIMED. Any implied warranties, including warranties of merchantability or fitness for a particular purpose, that cannot be disclaimed under state law are limited to the applicable warranty period defined at the beginning of this article. The sole and exclusive remedy in connection with the purchase, installation, use, and/or performance of the EGO products is repair or replacement of the product as determined by Chervon North America. Chervon North America's maximum liability shall not in any case exceed the purchase price paid for the product. CHERVON NORTH AMERICA SHALL NOT BE LIABLE TO THE USER OR TO ANYONE ELSE FOR CONSEQUENTIAL, INCIDENTAL, SPECIAL, EXEMPLARY, INDIRECT, OR PUNITIVE DAMAGES ARISING FROM USE OF THE PRODUCTS, INCLUDING BUT NOT LIMITED TO PERSONAL INJURY, DEATH, PROPERTY DAMAGE, LOST PROFITS, OR OTHER ECONOMIC INJURY. This warranty gives you specific legal rights, and you may also have other rights which vary from state to state. Some states do not allow limitations on how long an implied warranty lasts, the exclusion or limitation of incidental or consequential damages, or the limitations on time to bring certain actions, so such limitations contained herein do not apply to individual consumers in those states.

This warranty is subject to and shall be interpreted according to Michigan law without regard to principles of conflicts of laws. No legal action shall be brought against Chervon North America unless filed within one (1) year after the basis for such legal action becomes known, or with the exercise of reasonable diligence should have become known. Any action not timely filed shall be deemed waived.

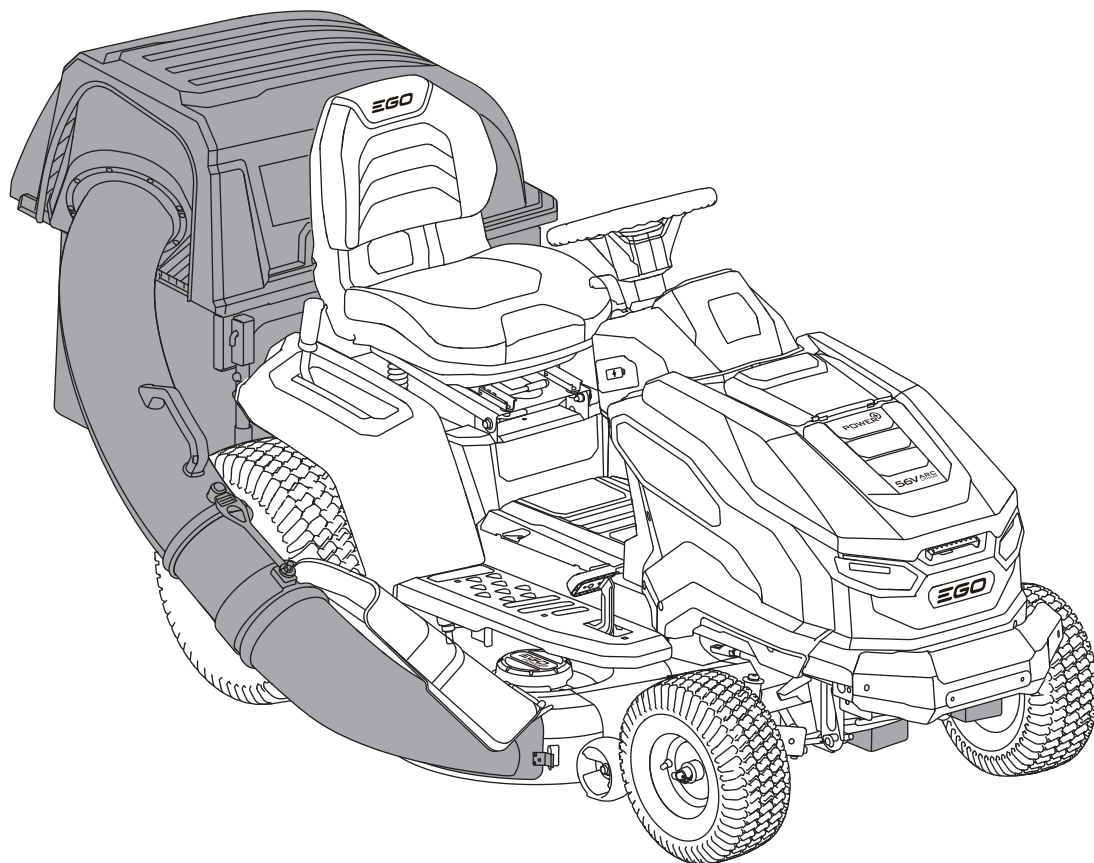
For customer service contact us toll-free at: **877-346-9876 (877-EGO-ZTRM)** or **EGOPOWERPLUS.COM**.

EGO Customer Service

769 Seward Ave. NW, Suite 102

Grand Rapids, Michigan 49504.

# EGO™



**CE KIT D'ENSACHAGE D'HERBE  
EST CONÇU POUR ÊTRE UTILISÉ  
UNIQUEMENT AVEC LA TONDEUSE  
ÉLECTRIQUE À SIÈGE EGO POWER+  
TR4200/TR4200-FC.**

## MODE D'EMPLOI **KIT D'ENSACHAGE D'HERBE**

**MODÈLE NUMÉRO ABK4200T**



**AVERTISSEMENT** : Pour réduire le risque de blessure, lisez le Mode d'emploi et assurez-vous que vous le comprenez avant de commencer à utiliser ce produit. Conservez ces instructions en vue de référence future.

## TABLE DES MATIÈRES

Liste des pièces . . . . .	17-18
Montage et installation . . . . .	19-26
Fonctionnement . . . . .	27
Garantie . . . . .	28-29

## SYMBOLES DE SÉCURITÉ

La raison d'être des symboles relatifs à la sécurité est d'attirer votre attention sur des dangers possibles. Il est important de vous familiariser avec les symboles relatifs à la sécurité et les explications qui les accompagnent afin de bien les comprendre. Les avertissements et les symboles associés ne suffisent pas à éliminer tous les dangers. Les instructions et les avertissements qu'ils donnent ne sauraient remplacer des mesures de prévention des accidents appropriées.

**⚠ AVERTISSEMENT :** Lisez toutes les consignes de sécurité qui sont contenues dans ce Mode d'emploi, y compris tous les symboles d'alerte relatifs à la sécurité tels que « **DANGER** », « **AVERTISSEMENT** » et « **MISE EN GARDE** », et assurez-vous que vous les comprenez bien avant de commencer à utiliser cette machine. La non-observation de toutes les instructions figurant ci-après pourrait causer un choc électrique, un incendie et/ou des blessures personnelles graves.

Les définitions ci-dessous décrivent le degré de gravité pour chaque mot-indicateur. Veuillez lire ce manuel et prêter attention à ces symboles.

	Voici le pictogramme d'alerte de sécurité. Il sert à vous indiquer les risques potentiels de blessures. Respectez toutes les consignes de sécurité associées à ce pictogramme pour éviter les risques de blessures ou de mort.
<b>⚠ DANGER :</b>	La mention DANGER indique un danger imminent qui, s'il n'est pas évité, causera des blessures graves ou la mort.
<b>⚠ AVERTISSEMENT :</b>	La mention AVERTISSEMENT indique un risque pouvant entraîner des blessures graves ou la mort s'il n'est pas prévenu.
<b>⚠ MISE EN GARDE :</b>	La mention MISE EN GARDE, utilisée avec le symbole d'alerte de sécurité, indique un risque potentiel qui, s'il n'est pas éliminé, provoquera des blessures mineures ou moyennement graves.

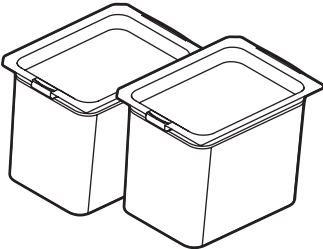
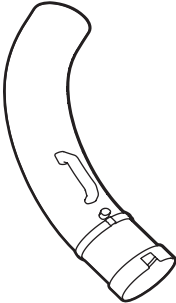
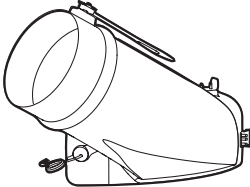
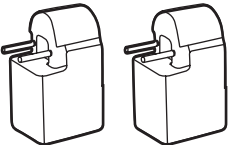
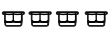
## MESSAGES D'INFORMATION ET DE PRÉVENTION DES DOMMAGES

Ils informent l'utilisateur d'informations et/ou d'instructions importantes qui pourraient entraîner des dommages matériels ou aux équipements s'ils ne sont pas suivis. Chaque message est précédé par le terme « AVIS », comme dans l'exemple ci-dessous :

**AVIS :** Un dommage matériel et/ou aux équipements peut survenir si ces instructions ne sont pas suivies.

# LISTE DES PIÈCES

NOM DE LA PIÈCE	FIGURE	QUANTITÉ
Lame d'ensachage		2
Poteau		2
Ensemble de cache du haut		1
Goupille de verrouillage		2
Goupille de retenue		2
Barre transversale		1
Jeu de boulons à tête hexagonale et d'écrous	<p>M8x70</p>	4

NOM DE LA PIÈCE	FIGURE	QUANTITÉ
Ensemble de kit d'ensachage		2
Ensemble de tube de la goulotte de décharge du haut		1
Ensemble de tube de la goulotte de décharge du bas		1
Contrepoids		2
Écrou	M8 	4

## MONTAGE & INSTALLATION

**⚠ AVERTISSEMENT :** Le kit d'ensachage d'herbe est conçu pour être utilisé uniquement avec la tondeuse électrique à siège EGO TR4200/TR4200-FC.

**⚠ AVERTISSEMENT :** Si certaines pièces sont endommagées ou manquantes, n'assemblez pas ce produit avant que ces pièces aient été remplacées. L'utilisation de ce produit avec des pièces endommagées ou manquantes pourrait causer des blessures graves.

**⚠ AVERTISSEMENT :** Ne tentez pas de modifier ce produit ou de créer des accessoires qu'il n'est pas recommandé d'utiliser avec lui. Une telle altération ou modification constituerait une utilisation abusive et pourrait créer une situation dangereuse avec risque de blessures graves.

**⚠ AVERTISSEMENT :** Avant le montage ou l'installation, placez la tondeuse électrique à siège sur une surface ferme et plane, et serrez le frein de stationnement. Arrêtez les moteurs et retirez la clé de sécurité pour éviter tout risque de démarrage involontaire.

### DÉBALLAGE

- Ce produit nécessite un assemblage et une installation sur la tondeuse électrique à siège.
- Retirez délicatement toutes les composants de la boîte. Assurez-vous que tous les articles indiqués sur la liste des pièces sont inclus.
- Inspectez attentivement le produit pour vous assurer qu'aucun dommage ou bris de pièce(s) ne s'est produit pendant le transport.
- Ne jetez pas les matériaux d'emballage avant d'avoir inspecté attentivement l'outil et de l'avoir mis en marche de façon satisfaisante.
- Si une pièce quelconque est endommagée ou manquante, rappelez le produit dans le magasin où vous l'avez acheté.

### REMPACEMENT DE LA LAME

**⚠ AVERTISSEMENT :** Les lames d'ensachage doivent être utilisées avec le dispositif d'ensachage d'herbe. L'utilisation de lames d'ensachage sans que le dispositif d'ensachage d'herbe soit installé en place pourrait entraîner des blessures graves.

#### Retrait des lames de coupe

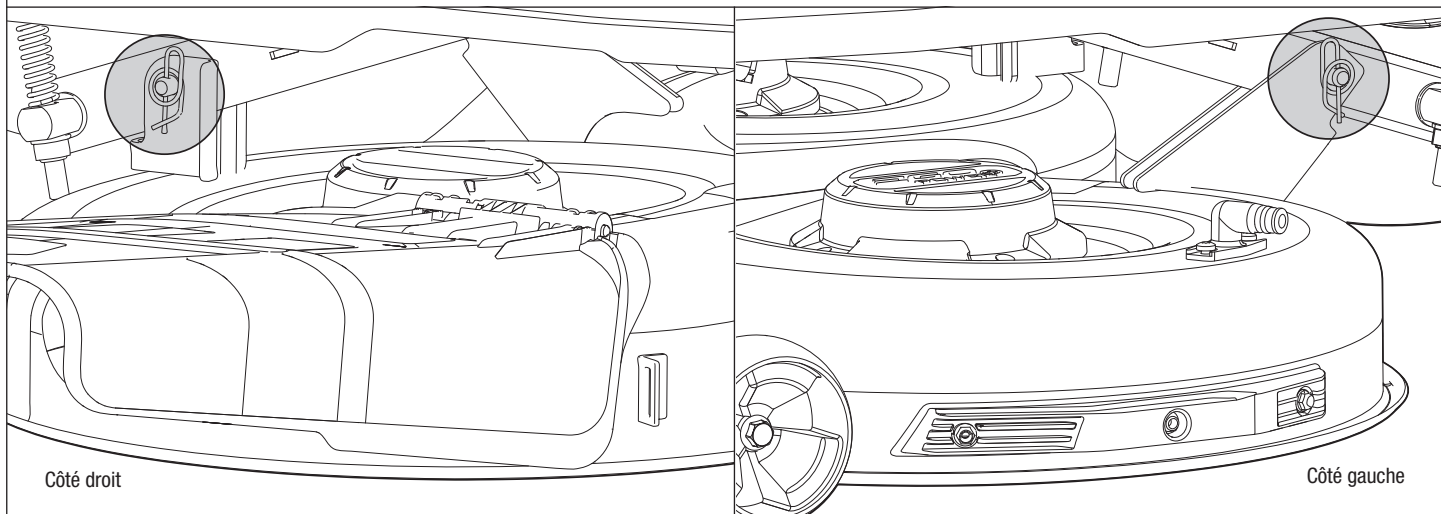
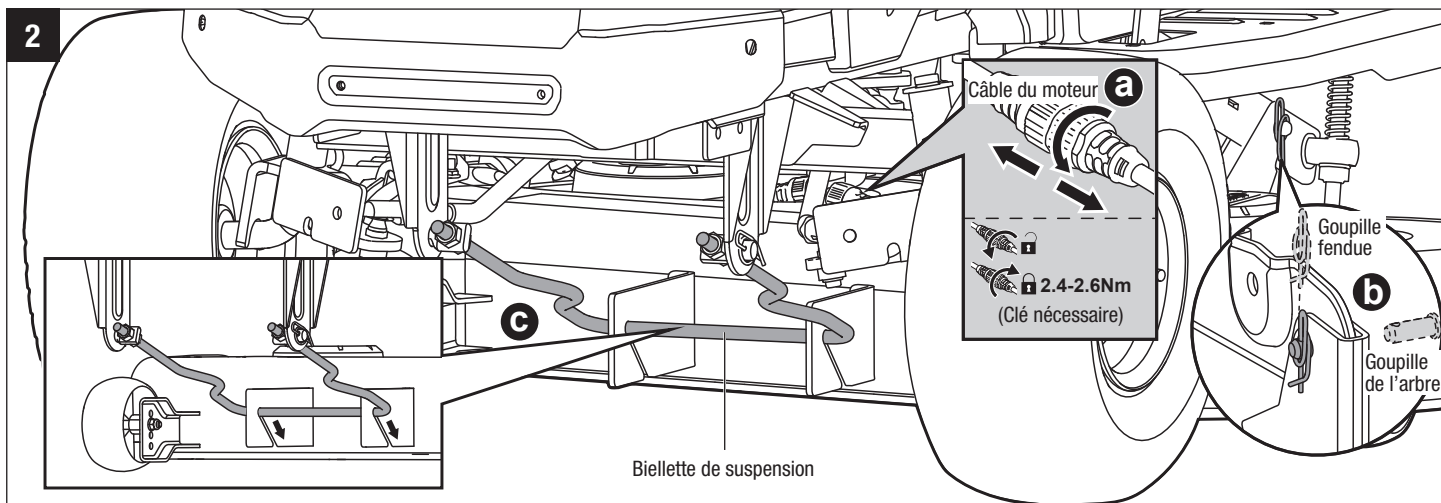
**⚠ AVERTISSEMENT :** Protégez-vous toujours les mains en portant des gants épais ou en enveloppant les bords coupants avec des chiffons ou d'autres matériaux lorsque vous effectuez des opérations de maintenance sur la/les lame(s). Retirez toujours la clé de sécurité et les blocs-piles lorsque vous effectuez une opération d'entretien ou lorsque vous transportez la tondeuse à gazon.

**AVIS :** Les outils suivants (non inclus) sont nécessaires pour remplacer la lame :

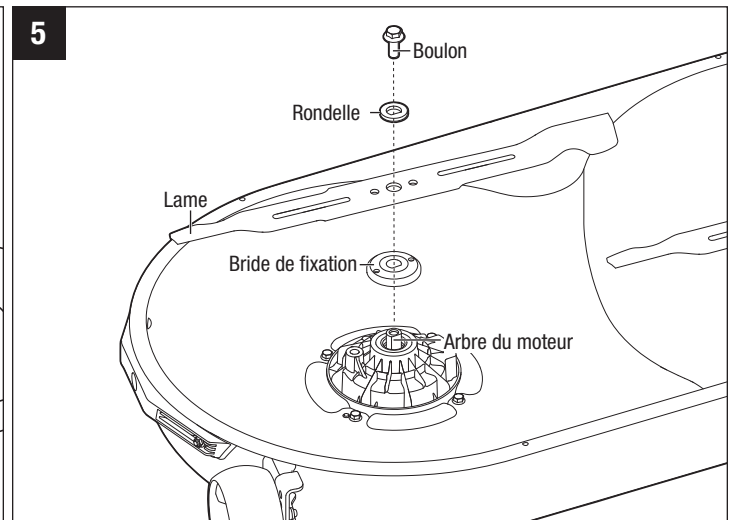
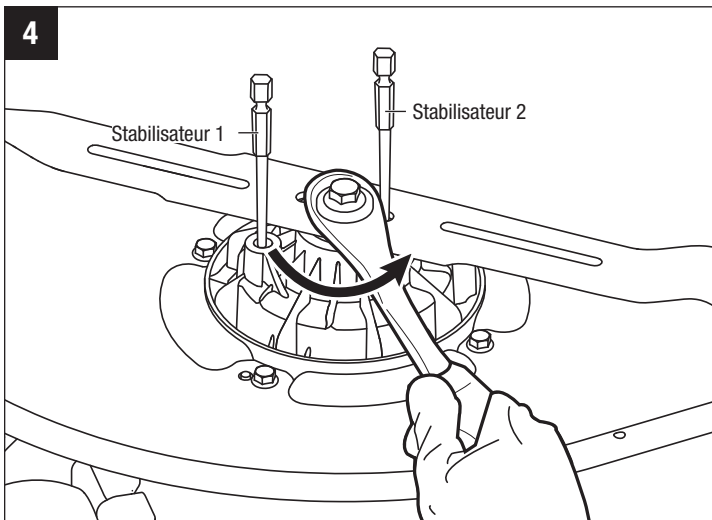
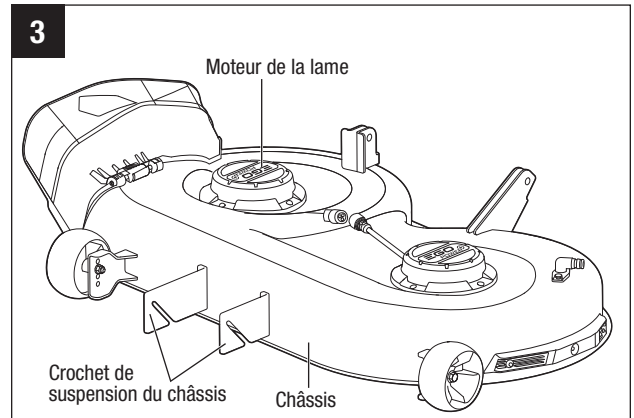
- Clé dynamométrique avec douilles de 14 mm ;
- Tournevis manuel ou tige en métal de 8 mm / 5/16 po, ou un peu moins.
- Tournevis manuel ou tige en métal de 6,35 mm / 1/4 po, ou un peu moins.

**Outils qui vous faciliteront la vie :** Une clé à chocs avec des douilles de 14 mm rendra le retrait des boulons de fixation des lames beaucoup plus facile.

1. Garez la tondeuse à gazon sur une surface plane.
2. Arrêtez la tondeuse, serrez le frein de stationnement et retirez les piles. Attendez que les lames de coupe se soient complètement arrêtées.
3. Ajustez le levier de réglage de la hauteur du châssis à la position de hauteur de coupe la plus basse (Fig. 1).
4. Déconnectez les deux câbles de moteurs de lames (Fig. 2).
5. Placez un tapis ou un paillason (de dimensions similaires à celles du châssis) au-dessous du châssis pour protéger celui-ci contre tout risque d'endommagement.
6. Retirez les goupilles fendues et poussez les chevilles vers l'extérieur. Conservez les deux jeux en vue du remontage du châssis.
7. Poussez le châssis vers l'arrière (en direction des roues arrière) et faites tourner la biellette de suspension dans le sens des aiguilles d'une montre pour la relâcher des crochets de suspension du châssis (Fig. 2).



8. Tirez le tapis ou le paillason (avec le châssis dessus) latéralement pour le retirer du dessous de la tondeuse (Fig. 3).
9. Retournez le châssis sur le sol avec les lames orientées vers le haut.
10. Mettez des gants de protection et placez un tournevis ou une tige en métal d'un diamètre de 8 mm / 5/16 po ou un peu moins dans le trou de fixation du moteur afin de servir de stabilisateur. Placez un autre tournevis ou une autre tige en métal d'un diamètre de 6,35 mm / 1/4 po ou un peu moins (p. ex., une mèche) dans le trou aligné de la lame et de la bride de fixation pour servir de stabilisateur supplémentaire (Fig. 4).
11. Utilisez une clé de 14 mm (non fournie) pour tourner le boulon de fixation de la lame dans le sens contraire des aiguilles d'une montre afin de le desserrer (Fig. 4).
12. Mettez des gants de protection et retirez ensuite le boulon, la rondelle et la lame (Fig. 5). La bride de fixation peut être laissée sur l'arbre du moteur.
13. Répétez ces étapes avec l'autre lame.

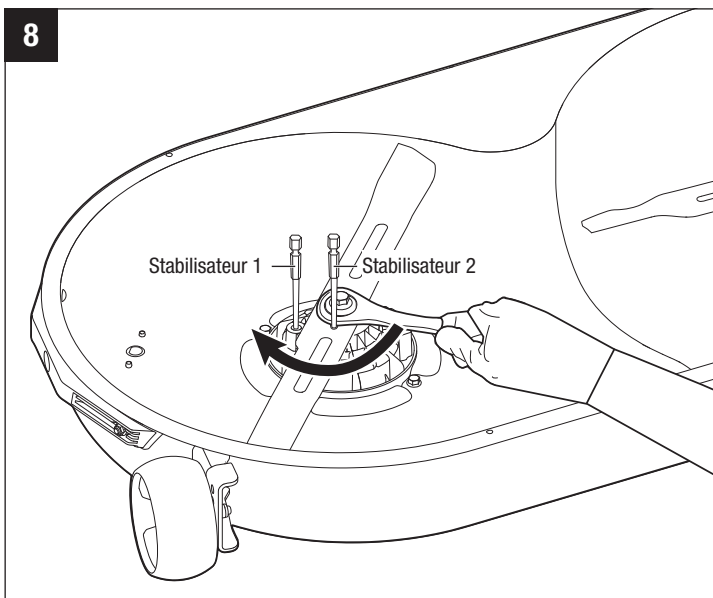
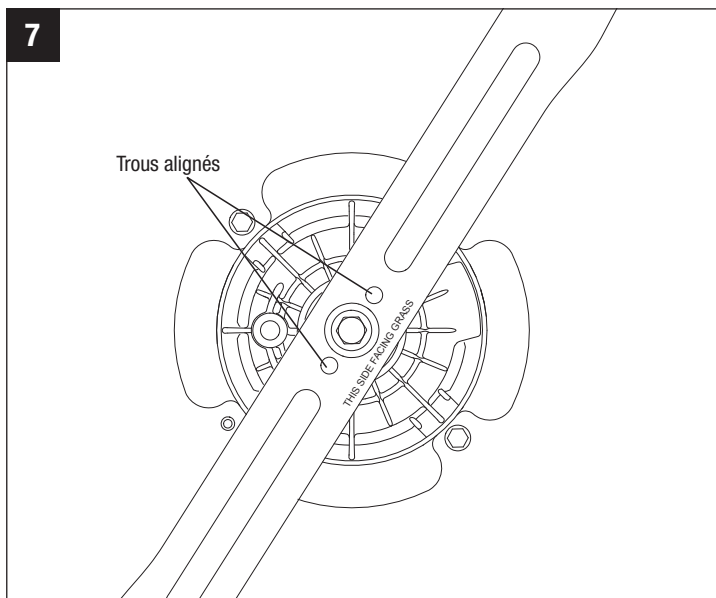
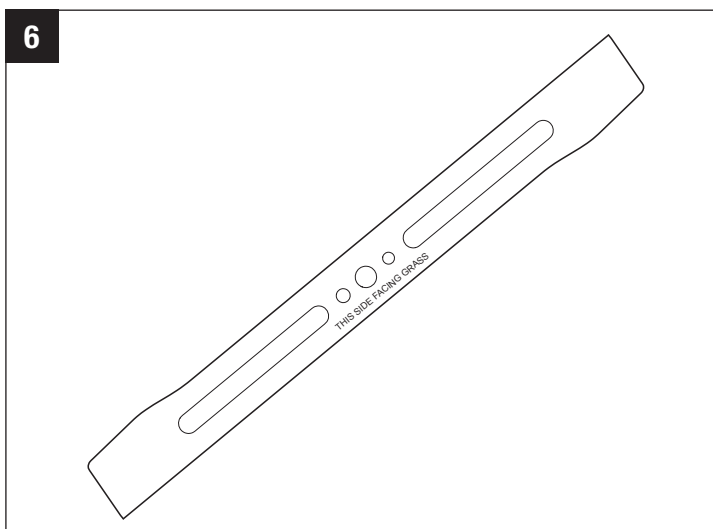


### Installation des lames d'ensilage

**⚠ AVERTISSEMENT :** Protégez-vous toujours les mains en portant des gants épais ou en enveloppant les bords coupants avec des chiffons ou d'autres matériaux lorsque vous effectuez des opérations de maintenance sur la/les lame(s). Retirez toujours la clé de sécurité et les blocs-piles lorsque vous effectuez une opération d'entretien ou lorsque vous transportez la tondeuse à gazon.

**AVIS :** Pour réinstaller les lames d'ensilage, assurez-vous que toutes les pièces sont remises en place dans l'ordre exact dans lequel elles avaient été retirées (Fig. 5).

1. Si la bride de fixation avait été retirée pendant le retrait de la lame, alignez-la sur l'arbre du moteur en premier, puis assemblez-la en place.
2. Tout en portant toujours des gants de protection, positionnez la lame d'ensachage sur la bride de fixation avec la surface indiquant « **THIS SIDE FACING GRASS** » (Ce côté face à l'herbe) orientée vers l'extérieur (Fig. 6).
3. Alignez la rondelle sur l'arbre du moteur, et montez-la sur l'arbre du moteur.
4. Montez le boulon sur l'arbre du moteur. Serrez le boulon à la main dans le sens des aiguilles d'une montre.
5. Déplacez la lame à la main pour aligner les deux trous dans la lame sur les deux trous de la bride de fixation (Fig. 7).
6. Placez un tournevis ou une tige en métal d'un diamètre de 6,35 mm / 1/4 po ou un peu moins (p. ex., une mèche) dans le trou aligné de la lame et de la bride de fixation afin de servir de stabilisateur. Placez un autre tournevis ou une autre tige en métal d'un diamètre de 8 mm / 5/16 po ou un peu moins dans le trou de fixation du moteur afin de servir de stabilisateur (Fig. 8).

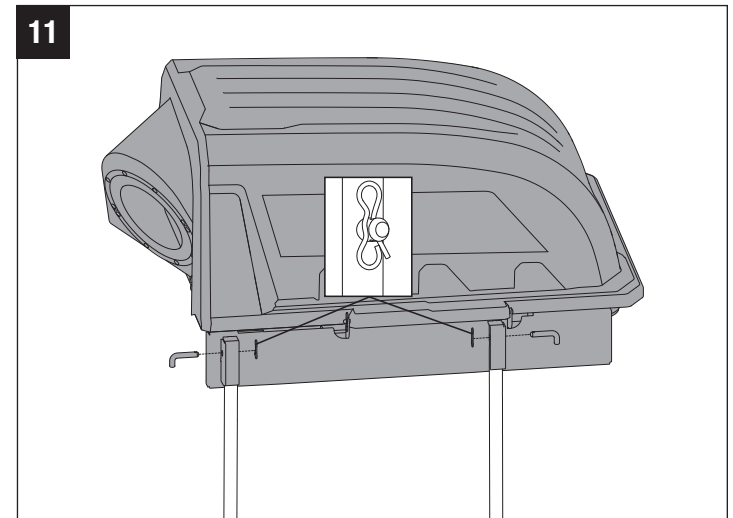
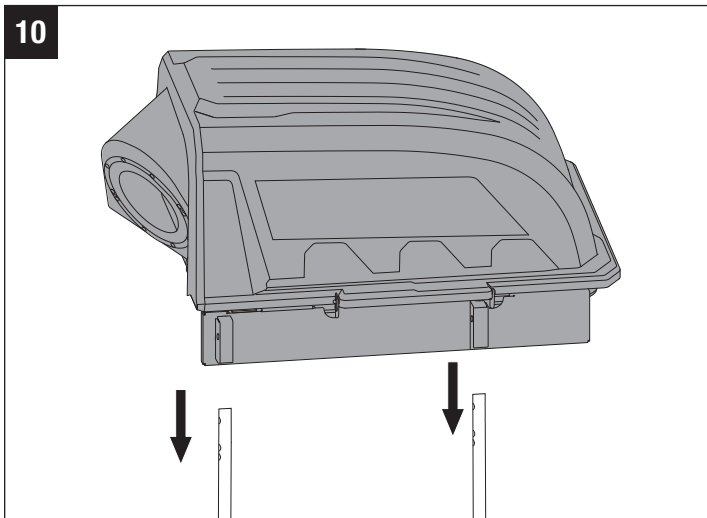
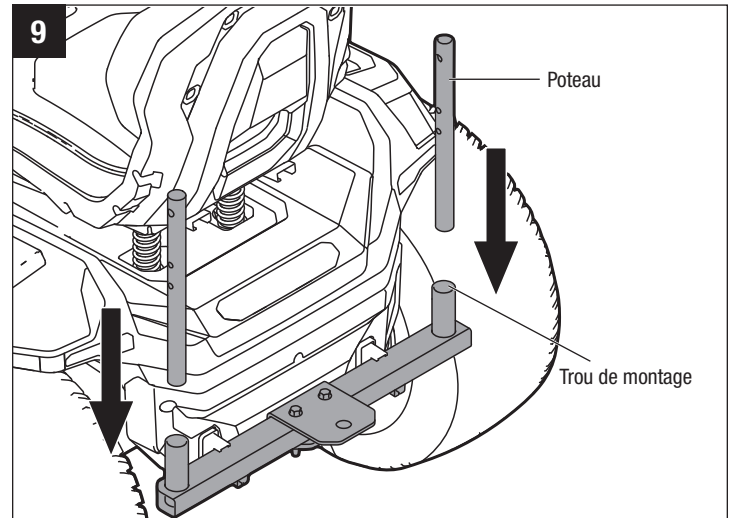


7. Utilisez une clé dynamométrique de 14 mm pour serrer le boulon dans le sens des aiguilles d'une montre. Le couple recommandé pour le boulon de fixation de la lame est de 50-55 Nm / 36-41 pi-lb.
8. Répétez ces étapes avec l'autre lame.
9. Remontez le châssis sur la tondeuse dans l'ordre inverse.

**⚠ AVERTISSEMENT :** Assurez-vous que les lames d'ensachage sont bien en place et que les boulons de fixation des lames sont serrés conformément aux spécifications de couple indiquées ci-dessus. Si les lames ne sont pas sécurisées correctement, elles risqueraient de se détacher et de causer des blessures graves.

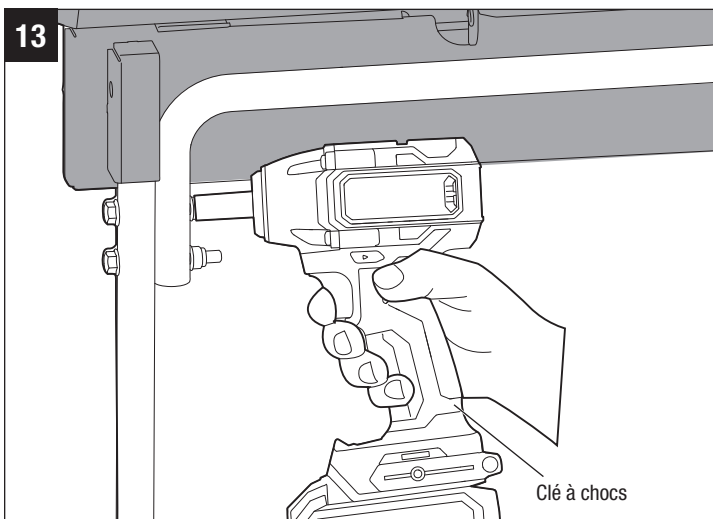
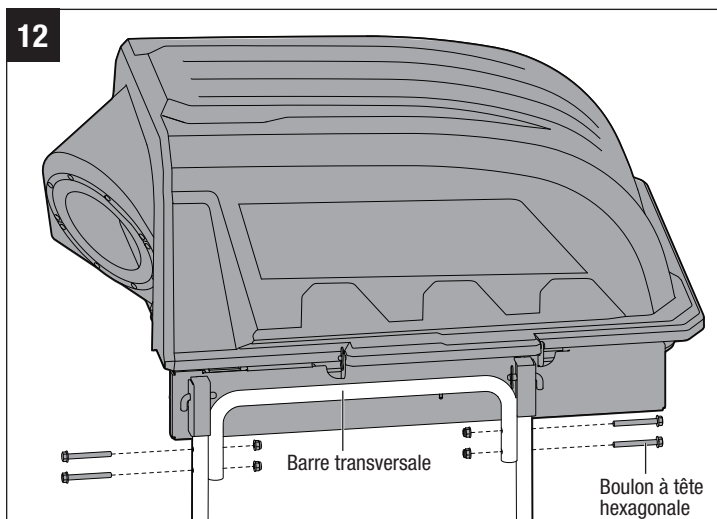
## ASSEMBLAGE ET INSTALLATION DU DISPOSITIF D'ENSACHAGE D'HERBE

1. Assurez-vous que le support pour attachements a été installé sur la tondeuse. Suivez les instructions du mode d'emploi de la tondeuse pour l'installation.
2. Insérez les poteaux dans les trous de montage de la tondeuse comme illustré (Fig. 9).
3. Soulevez l'ensemble du cache du haut au-dessus des poteaux et abaissez-le de manière à ce que les extrémités supérieures des poteaux soient insérées dans l'ensemble de cache du haut comme illustré (Fig. 10). Pour simplifier le processus, il est recommandé que deux personnes collaborent pour exécuter la procédure lors de cette étape. Insérez deux goupilles de verrouillage dans les trous et fixez-les avec les goupilles de retenue (Fig. 11).

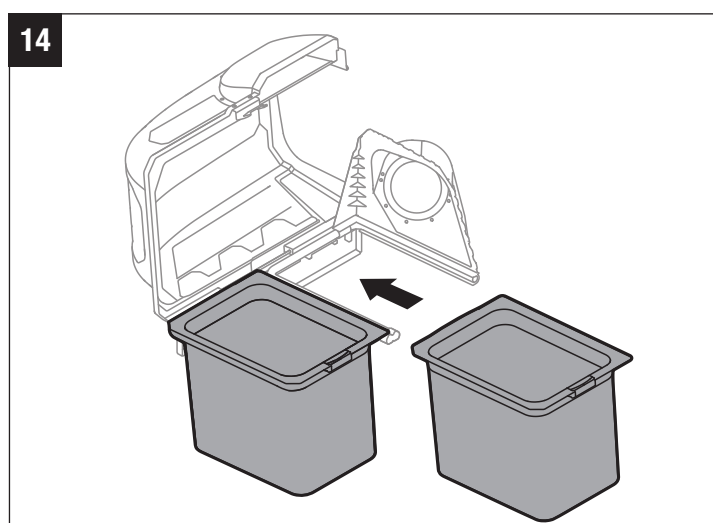


4. Tenez la barre transversale entre les poteaux pour aligner les deux trous de montage des deux extrémités de la barre transversale sur les deux trous de montage du bas de chaque poteau. Préinstallez quatre boulons à tête hexagonale des deux côtés et serrez les boulons et les écrous à la main (Fig. 12).
5. Serrez fermement les quatre boulons des deux côtés à l'aide d'une clé à chocs munie d'une douille de 13 mm / 1/2 po (non fournie) (Fig. 13).

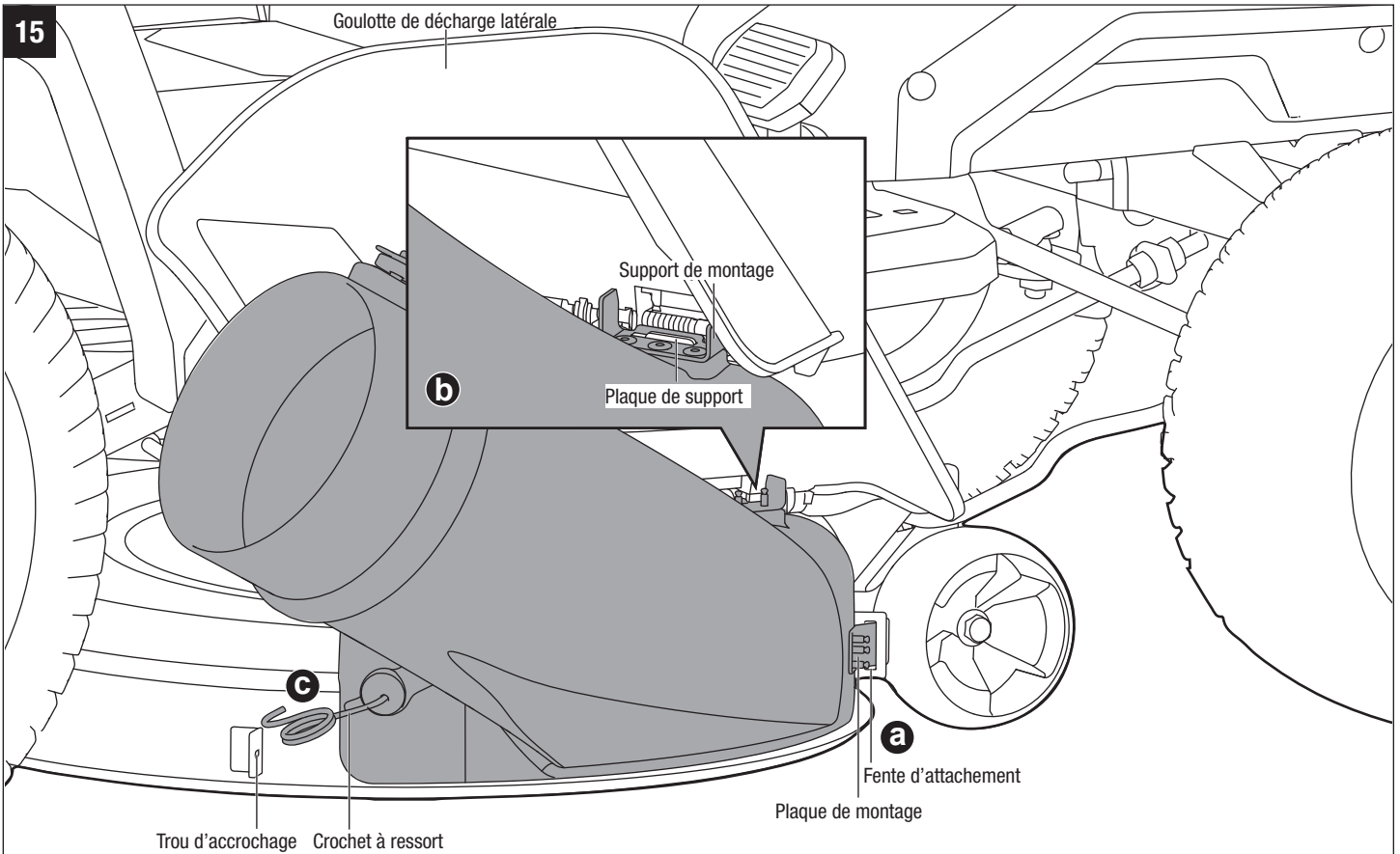
**⚠ AVERTISSEMENT :** L'utilisation de ce produit avec des pièces endommagées ou manquantes pourrait causer des blessures graves.



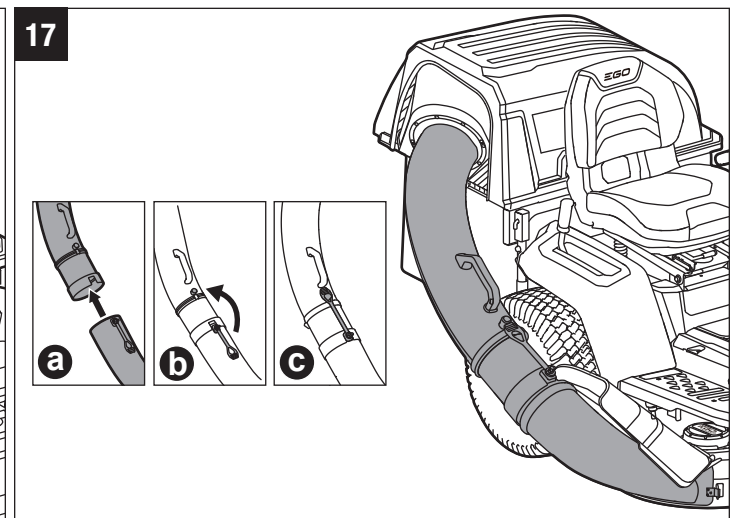
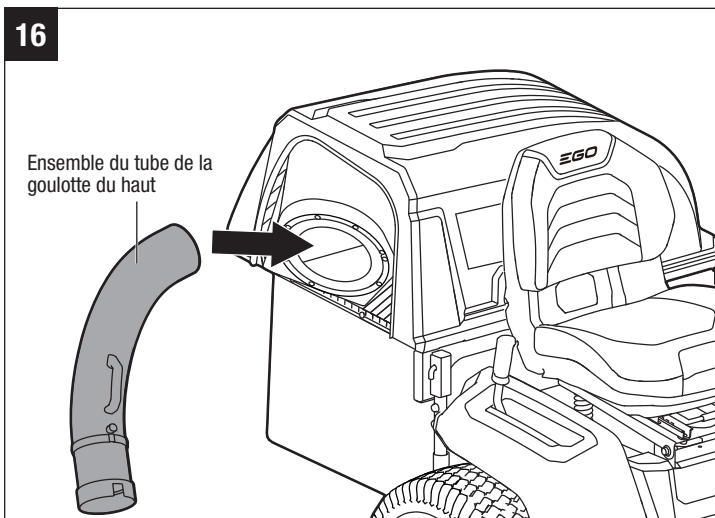
6. Ouvrez le cache du dispositif d'ensachage d'herbe en poussant d'abord la poignée du cache, puis en la soulevant. Installez ensuite les deux sacs à herbe sur l'ensemble de cache supérieur en insérant d'abord le bord avant, puis en abaissant le bord arrière jusqu'à ce qu'il s'insère dans l'ensemble, comme illustré à la Fig. 14.



7. Avec la goulotte d'éjection latérale de la tondeuse relevée et maintenue ouverte, installez l'ensemble du tube de la goulotte inférieure sur la tondeuse en suivant ces trois étapes (Fig. 15).
  - a. Insérez la plaque de montage dans la fente d'attachement de la tondeuse.
  - b. Alignez la plaque de support de la tondeuse sur la fente du support de montage, et insérez-la dans celle-ci.
  - c. Tendez le crochet à ressort pour le fixer au trou d'accrochage de la tondeuse.



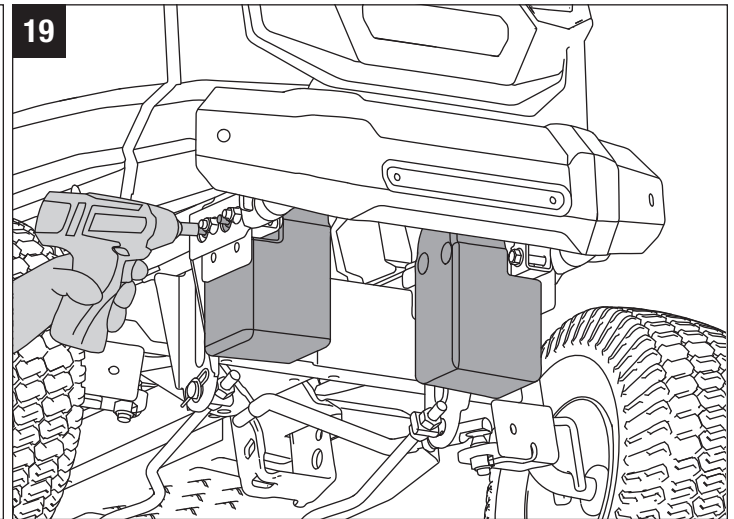
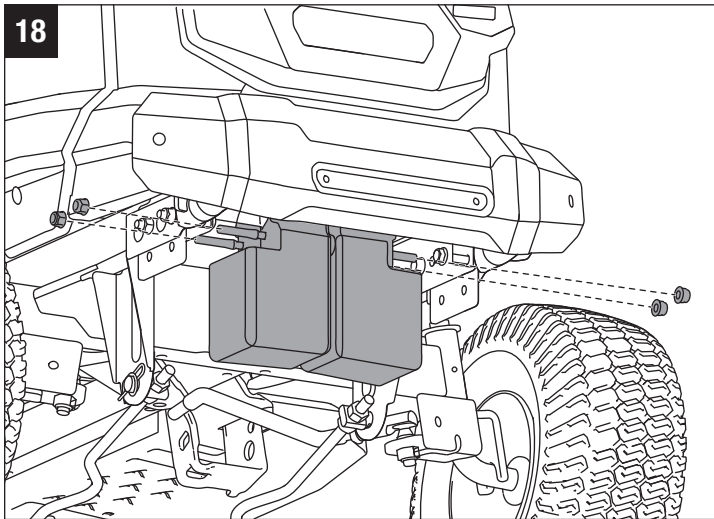
8. Insérez le haut de l'ensemble du tube de la goulotte du haut dans l'ensemble du cache du haut (Fig. 16).
9. Avec le renflement aligné sur l'encoche, glissez l'ensemble du tube de la goulotte du haut dans l'ensemble du tube de la goulotte du bas. Tendez la boucle en caoutchouc jusqu'à ce qu'elle soit accrochée au tube de la goulotte du haut (Fig. 17).



## INSTALLATION DES CONTREPOIDS

**⚠ AVERTISSEMENT :** Les contrepoids sont nécessaires pour l'utilisation de la tondeuse électrique à siège équipée du dispositif d'ensachage d'herbe. Si vous ne les installez pas, vous risqueriez de causer des blessures graves, ou même mortelles.

1. Insérez les deux contrepoids dans les trous de montage de la tondeuse comme illustré à la Fig. 18.
2. Préinstallez quatre écrous sur les boulons des deux contrepoids, et serrez les écrous à la main. Serrez ensuite fermement les quatre écrous à l'aide d'une clé à chocs munie d'une douille de 13 mm / 1/2 po (non fournie), comme illustré à la Fig. 19.



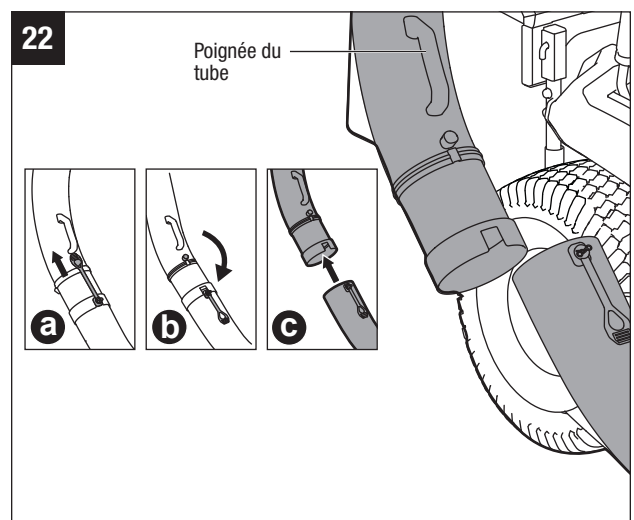
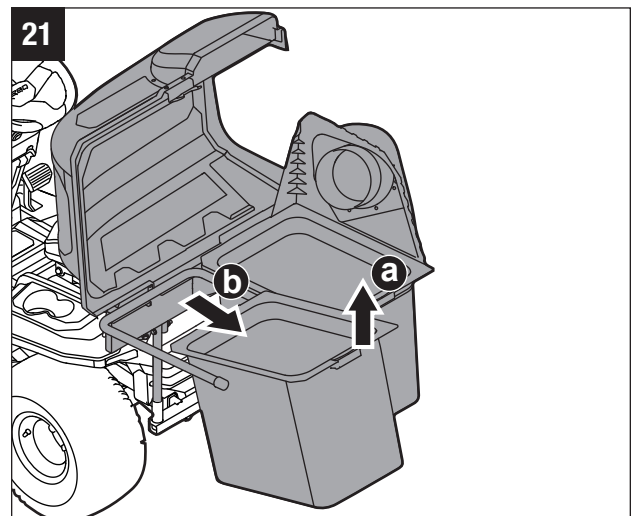
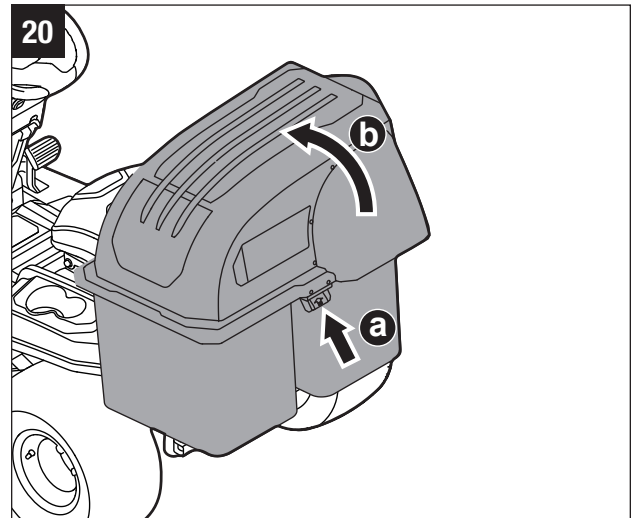
## FONCTIONNEMENT

Lorsque les deux dispositifs d'ensachage d'herbe sont pleins, placez la tondeuse électrique à siège sur une surface ferme et plane, et serrez le frein de stationnement. Arrêtez les moteurs et retirez la clé de sécurité pour éviter tout risque de démarrage involontaire.

1. Ouvrez le cache du dispositif d'ensachage herbe en poussant d'abord la poignée du cache, puis en la soulevant (Fig. 20).
2. Retirez les deux ensembles d'ensachage en soulevant d'abord le bord avant, puis en faisant glisser le bord arrière vers l'avant et vers le haut jusqu'à ce qu'il soit dégagé du cadre (Fig. 21).
3. Videz les déchets d'herbe dans un site de mise au rebut approprié.
4. Remettez les deux ensembles de dispositifs d'ensachage d'herbe en place, et fermez le cache. Faites redémarrer votre tondeuse pour reprendre la coupe de votre herbe.

Lorsque des brins d'herbe coupée sont coincés dans le tube de la goulotte de décharge, placez la tondeuse électrique à siège sur une surface ferme et plane, et serrez le frein de stationnement. Arrêtez les moteurs et retirez la clé de sécurité pour éviter tout risque de démarrage involontaire.

1. Tendez la boucle en caoutchouc pour déverrouiller le tube de la goulotte du haut et du bas (Fig. 22).
2. Tenez la poignée du tube pour faire glisser vers l'extérieur le tube de la goulotte de décharge du haut. Saisissez la poignée du tube pour déverser les déchets d'herbe faisant obstruction sur un site de mise au rebut approprié (Fig. 22).
3. Remettez en place l'ensemble du tube de la goulotte de décharge du haut. Faites redémarrer votre tondeuse pour reprendre la coupe de votre herbe.



## GARANTIE LIMITÉE D'EGO

### CONDITIONS ET DURÉE DE LA POLITIQUE DE GARANTIE

Chervon North America, Inc. (« Chervon North America ») accorde la Garantie limitée suivante pour les produits EGO à l'acheteur initial de produits EGO.

La période de garantie détaillée de chaque produit EGO est indiquée en ligne à l'adresse <http://egopowerplus.com/warranty-policy>.

**Veillez contacter le Service à la clientèle d'EGO en téléphonant au**

**877-346-9876 (877-EGO-ZTRM) (appel gratuit)** à tout moment en cas de questions, si vous voulez vous prévaloir de la garantie ou si vous souhaitez obtenir une version sur papier de la garantie.

### GARANTIE LIMITÉE DE SERVICE APRÈS-VENTE

Les produits EGO sont garantis contre tout défaut de matériel ou de fabrication à partir de la date d'achat au détail originale et pendant la période de garantie applicable. Pour toute demande de garantie soumise correctement et dans les délais, si Chervon North America détermine qu'un produit est défectueux pendant la période de garantie, le produit sera réparé ou remplacé gratuitement, selon ce qui aura été déterminé par Chervon North America.

### COMMENT OBTENIR DE L'ASSISTANCE DANS LE CADRE DU SERVICE APRÈS-VENTE

Pour obtenir de l'assistance dans le cadre de la garantie (pendant la période de garantie applicable), veuillez contacter le service à la clientèle d'EGO en téléphonant au **877-346-9876 (877-EGO-ZTRM) (appel gratuit)**. Lorsque vous demandez de l'assistance dans le cadre de la garantie, vous devez présenter le reçu de vente original daté. Un centre de service après-vente agréé sera sélectionné pour évaluer et réparer le produit défectueux conformément aux conditions de garantie énoncées. Lorsque vous apportez votre produit au centre de service après-vente agréé, il se peut qu'une petite caution vous soit demandée lors du dépôt de votre outil. Cette caution est remboursable lorsque le service de réparation est considéré comme étant couvert par la garantie.

### LIMITATIONS ET EXCLUSIONS SUPPLÉMENTAIRES

Cette garantie limitée ne s'applique qu'à l'acheteur initial d'un produit à un revendeur agréé EGO, et elle ne peut pas être cédée. Les produits EGO ne sont pas considérés comme défectueux et la présente garantie ne s'applique pas lorsque le défaut invoqué est imputable à une cause autre que les défauts définis ci-dessus. Cette garantie est nulle et non avenue si le produit a été utilisé à des fins de location. La présente garantie ne s'applique pas aux dommages causés par un accident, un abus, une mauvaise utilisation, une altération, une modification, une réparation non autorisée, un contact avec un liquide, un incendie, un tremblement de terre ou toute autre cause externe ; par une utilisation du produit en dehors des instructions, spécifications ou directives d'EGO ; ou par un manquement à l'entretien ou à la maintenance convenable du produit. Cette garantie ne s'applique pas non plus aux dommages esthétiques, y compris, mais sans s'y limiter, les rayures ou les bosses, ainsi qu'aux défauts causés par l'usure normale ou autrement dus au vieillissement normal du produit.

CETTE GARANTIE EXPRESSE EST DONNÉE EN LIEU ET PLACE DE TOUTE AUTRE GARANTIE, EXPRESSE OU IMPLICITE, Y COMPRIS, MAIS SANS S'Y LIMITER, TOUTE GARANTIE DE QUALITÉ MARCHANDE OU D'ADÉQUATION À UN USAGE PARTICULIER, QUI EST REJETÉE. Toute garantie implicite, y compris la garantie de qualité marchande ou d'adéquation à un usage particulier qui ne peut être rejetée en vertu de la loi de l'État ou de la province est limitée à la période de garantie applicable définie au début de cet article. Le seul et unique recours en rapport avec l'achat, l'installation, l'utilisation et/ou la performance des produits EGO est la réparation ou le remplacement du produit selon la décision de Chervon North America. La responsabilité maximale de Chervon North America ne dépassera en aucun cas le prix d'achat payé pour le produit. CHERVON NORTH AMERICA NE SERA PAS RESPONSABLE ENVERS L'UTILISATEUR OU TOUTE AUTRE PERSONNE DES DOMMAGES CONSÉCUTIFS, ACCIDENTELS, SPÉCIAUX, EXEMPLAIRES, INDIRECTS OU PUNITIFS RÉSULTANT DE L'UTILISATION DES PRODUITS, Y COMPRIS, MAIS SANS S'Y LIMITER, LES PRÉJUDICES CORPORELS, LA MORT, LES DOMMAGES MATÉRIELS, LA PERTE DE BÉNÉFICES OU TOUT AUTRE DOMMAGE ÉCONOMIQUE. Cette garantie vous confère des garanties juridiques particulières, et vous pouvez aussi avoir d'autres droits, qui varient selon l'État ou la province. Étant donné que certains États et certaines provinces ne permettent pas de limitations quant à la durée d'une garantie implicite ou ne permettent pas l'exclusion ou la limitation des dommages indirects ou secondaires, ou le délai de prescription pour intenter certaines actions, il est possible que les limitations contenues aux présentes ne s'appliquent pas à consommateurs dans ces États ou provinces.

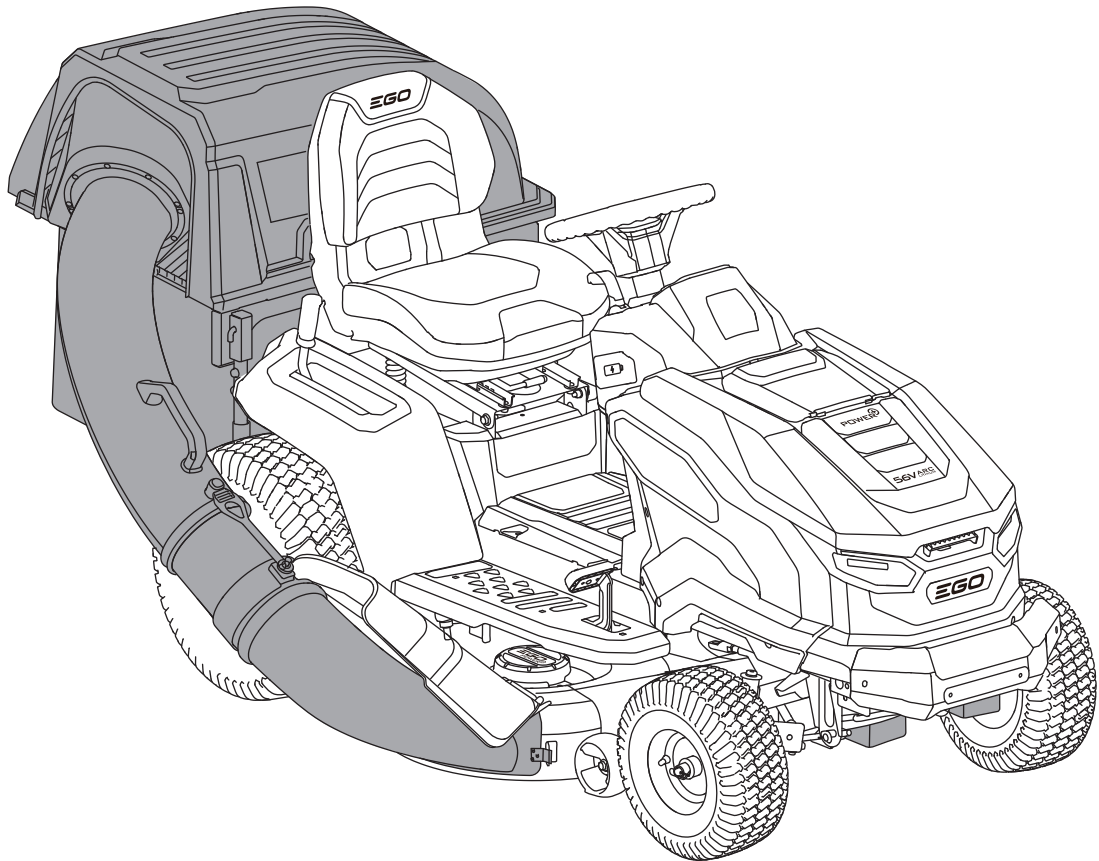
Cette garantie est soumise au droit du Michigan et doit être interprétée conformément au droit du Michigan sans tenir compte des principes de conflits de lois. Aucune action en justice ne pourra être intentée contre Chervon North America si elle n'est pas déposée dans un délai d'un (1) an après que le fondement de cette action en justice aura été connu, ou qu'il aurait dû l'être si une diligence raisonnable avait été exercée. Toute action non intentée dans les délais est réputée abandonnée.

Pour le service à la clientèle, contactez-nous en téléphonant au numéro suivant (appel gratuit) : **877-346-9876 (877-EGO-ZTRM)** ou **EGOPOWERPLUS.COM**.

EGO Customer Service,  
769 Seward Ave. NW, Suite 102,  
Grand Rapids, Michigan 49504.



# EGO™



**ESTE KIT DE EMBOLSADORA DE PASTO  
ESTÁ DISEÑADO PARA UTILIZARSE  
SOLO CON EL TRACTOR CORTADOR  
DE CÉSPED ELÉCTRICO EGO POWER+  
TR4200/TR4200-FC.**

## MANUAL DEL OPERADOR **KIT DE EMBOLSADORA DE PASTO**

**NÚMERO DE MODELO ABK4200T**



**ADVERTENCIA:** Para reducir el riesgo de lesiones, el usuario debe leer y entender el manual del operador antes de utilizar este producto. Guarde estas instrucciones para referencia futura.

## ÍNDICE


Lista de empaquetamiento .....	33-34
Ensamblaje e instalación.....	35-42
Utilización .....	43
Garantía .....	44-45

## SÍMBOLOS DE SEGURIDAD

La finalidad de los símbolos de seguridad es atraer la atención del usuario hacia posibles peligros. Los símbolos de seguridad y las explicaciones que los acompañan merecen que usted preste una atención detenida y logre una comprensión profunda. Las advertencias con símbolo no eliminan por sí mismas ningún peligro. Las instrucciones y las advertencias que dan no son sustitutos de las medidas adecuadas de prevención de accidentes.

**⚠ ADVERTENCIA:** Asegúrese de leer y entender todas las instrucciones de seguridad contenidas en este manual del operador, incluyendo todos los símbolos de alerta de seguridad, tales como **“PELIGRO”**, **“ADVERTENCIA”** y **“PRECAUCIÓN”**, antes de utilizar esta herramienta. Si no se siguen todas las instrucciones que se indican a continuación, es posible que el resultado sea descargas eléctricas, incendio y/o lesiones corporales graves.

Las definiciones que se ofrecen a continuación describen el nivel de gravedad de cada símbolo. Lea el manual y preste atención a dichos símbolos.

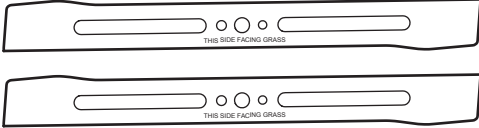
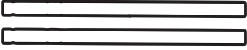
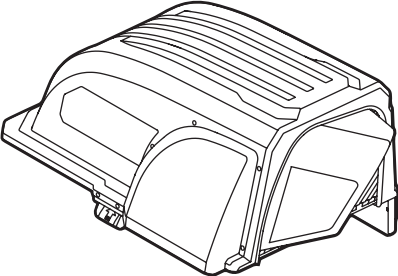
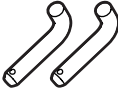

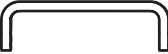

	Este es el símbolo de advertencia de seguridad. Se utiliza para advertirlo de los peligros de posibles lesiones personales. Cumpla con todos los mensajes de seguridad a continuación de este símbolo para evitar posibles lesiones o consecuencias fatales.
<b>⚠ PELIGRO:</b>	PELIGRO indica una situación de peligro que, de no evitarse, ocasionará la muerte o lesiones graves.
<b>⚠ ADVERTENCIA:</b>	ADVERTENCIA indica una situación potencialmente peligrosa que, de no evitarse, puede ocasionar la muerte o lesiones graves.
<b>⚠ PRECAUCIÓN:</b>	PRECAUCIÓN, se usa con el símbolo de advertencia de seguridad e indica una situación peligrosa que, de no evitarse, puede causar lesiones menores o moderadas.

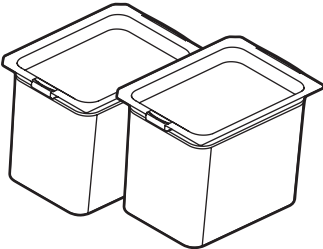
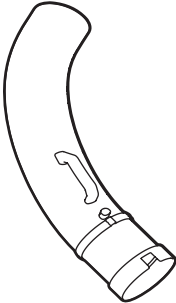
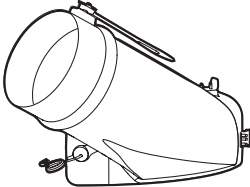
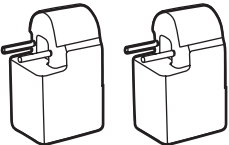
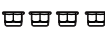
## MENSAJES DE PREVENCIÓN DE DAÑOS E INFORMACIÓN

Estos mensajes ofrecen al usuario información e/o instrucciones importantes que hay que seguir para no causar daños al equipo u otros daños materiales. Cada mensaje va precedido por la palabra **“AVISO”**, como en el ejemplo que aparece a continuación:

**AVISO:** Es posible que ocurran daños al equipo y/o daños materiales si no se siguen estas instrucciones.

# LISTA DE EMPAQUETAMIENTO

NOMBRE DE LA PIEZA	FIGURA	CANTIDAD
Cuchilla embolsadora		2
Poste		2
Ensamblaje de la cubierta superior		1
Pasador de fijación		2
Pasador de retención		2
Barra transversal		1
Conjunto de pernos de cabeza hexagonal y tuercas	<p data-bbox="776 1644 862 1675">M8x70</p> 	4

NOMBRE DE LA PIEZA	FIGURA	CANTIDAD
Ensamblaje de la embolsadora		2
Ensamblaje del tubo del conducto superior		1
Ensamblaje del tubo del conducto inferior		1
Contrapeso		2
Tuerca	M8 	4

## ENSAMBLAJE E INSTALACIÓN

**⚠ ADVERTENCIA:** El kit de embolsadora de pasto está diseñado para utilizarse solo con el tractor cortador de césped eléctrico EGO TR4200/TR4200-FC.

**⚠ ADVERTENCIA:** Si cualquiera de las piezas está dañada o falta, no ensamble este producto hasta que las piezas hayan sido reemplazadas. La utilización de este producto con piezas dañadas o si le faltan piezas podría causar lesiones corporales graves.

**⚠ ADVERTENCIA:** No intente modificar este producto ni crear accesorios no recomendados. Cualquiera de dichas alteraciones o modificaciones constituye un uso incorrecto y podría provocar una situación peligrosa que cause lesiones corporales graves.

**⚠ ADVERTENCIA:** Antes de realizar el ensamblaje o la instalación, coloque el tractor cortador de césped eléctrico sobre una superficie firme y nivelada y active el freno de estacionamiento. Pare los motores y retire la llave de seguridad para prevenir los arranques accidentales.

### DESEMPAQUE

- Este producto requiere ensamblaje e instalación en el tractor cortador de césped eléctrico.
- Saque cuidadosamente todos los artículos de la caja. Asegúrese de que todos los artículos indicados en la lista de empaquetamiento estén incluidos.
- Inspeccione minuciosamente la herramienta para asegurarse de no se hayan producido roturas ni daños durante el envío.
- No deseche el material de empaquetamiento hasta que haya inspeccionado minuciosamente y utilizado satisfactoriamente el producto.
- Si alguna pieza está dañada o falta, sírvase devolver el producto al lugar de compra.

### REEMPLACE LA CUCHILLA

**⚠ ADVERTENCIA:** Las cuchillas embolsadoras se deben utilizar en combinación con la embolsadora de pasto. El uso de las cuchillas embolsadoras sin tener la embolsadora de pasto instalada podría tener como resultado lesiones corporales graves.

#### Para retirar las cuchillas de corte

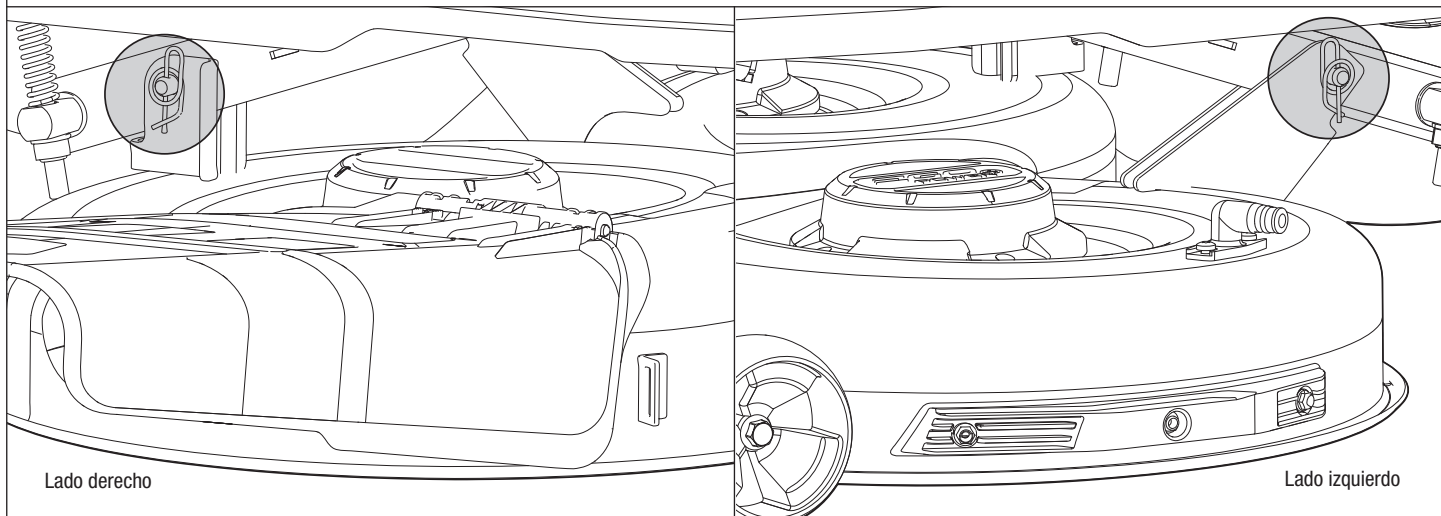
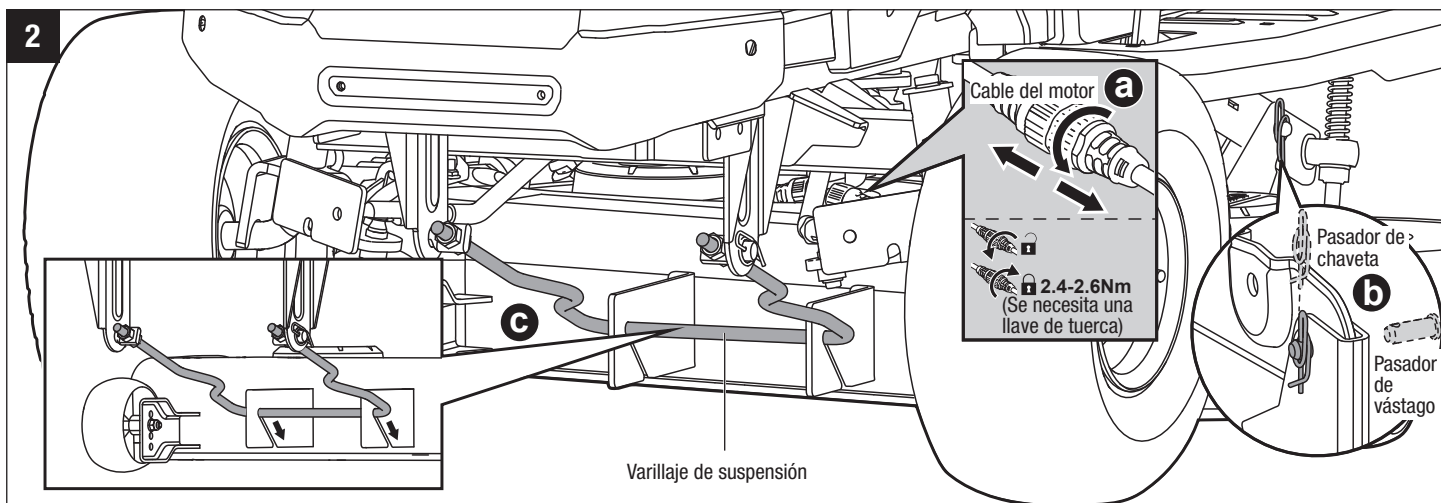
**⚠ ADVERTENCIA:** Protéjase siempre las manos usando guantes gruesos o envolviendo los bordes de corte con trapos u otros materiales cuando realice cualquier mantenimiento en la cuchilla (las cuchillas). Retire siempre la llave de seguridad y los paquetes de batería cuando haga servicio de ajustes y reparaciones del tractor o lo transporte.

**AVISO:** Se requieren las siguientes herramientas (no incluidas) para reemplazar la cuchilla:

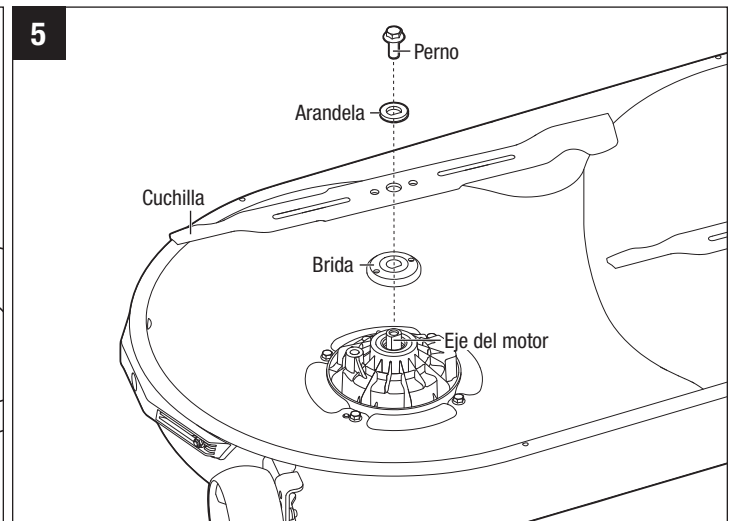
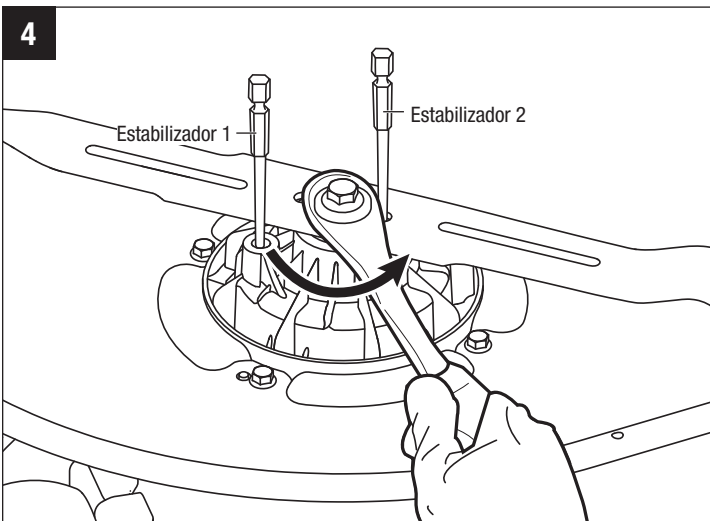
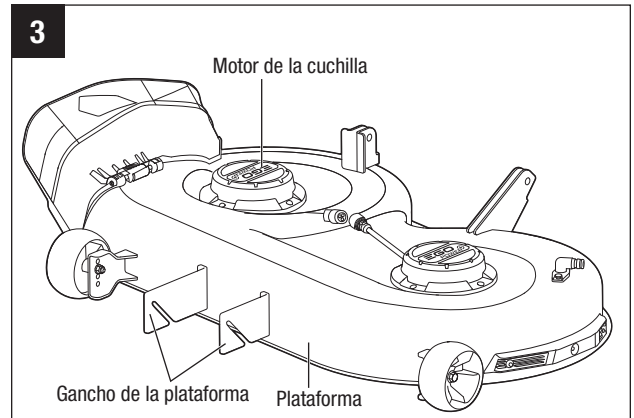
- Llave de torsión con bocallaves de 14 mm;
- Destornillador o varilla metálica de 5/16 de pulgada (8 mm) o un poco menos.
- Destornillador o varilla metálica de 1/4 de pulgada (6,35 mm) o un poco menos.

**Herramientas que facilitan la vida:** La llave de impacto con bocallaves de 14 mm hace que retirar los pernos de las cuchillas sea mucho más fácil.

1. Estacione el tractor sobre una superficie nivelada.
2. Apague el tractor, active el freno de estacionamiento y retire las baterías. Deje que las cuchillas de corte se detengan por completo.
3. Ponga la palanca de ajuste de la altura de la plataforma en la posición de altura de corte más baja (Fig. 1).
4. Desconecte los cables de ambos motores de las cuchillas (Fig. 2).
5. Coloque un trapo o un tapete (de tamaño similar al de la plataforma) debajo de la plataforma para prevenir daños a la misma.
6. Retire los pasadores de chaveta y empuje hacia fuera los pasadores de vástago. Guarde ambos conjuntos para reensamblar la plataforma (Fig. 2).
7. Empuje hacia atrás la plataforma (hacia las ruedas traseras) y rote el varillaje de suspensión en el sentido de las agujas del reloj para liberarlo de los ganchos de la plataforma (Fig. 2).



8. Jale el trapo/tapete (con la plataforma sobre dicho trapo/ tapete) hacia un lado para sacarlo de debajo del tractor (Fig. 3)
9. Voltee la plataforma sobre el piso de manera que las cuchillas queden orientadas hacia arriba.
10. Mientras usa guantes protectores, coloque un destornillador o una varilla metálica de 5/16 de pulgada (8 mm) de diámetro o un poco menos en el agujero de fijación ubicado en el motor para que actúe como estabilizador. Coloque otro destornillador u otra varilla metálica de 1/4 de pulgada (6,35 mm) de diámetro o un poco menos (p. ej., una broca) en el agujero alineado ubicado en la cuchilla y la brida para que actúe como otro estabilizador (Fig. 4).
11. Utilice una llave de tuerca de 14 mm (no incluida) para girar el perno de la cuchilla en sentido contrario al de las agujas del reloj con el fin de aflojarlo (Fig. 4).
12. Mientras usa guantes protectores, retire el perno, la arandela y la cuchilla (Fig. 5). La brida se puede guardar en el eje del motor.
13. Repita los pasos con la otra cuchilla.

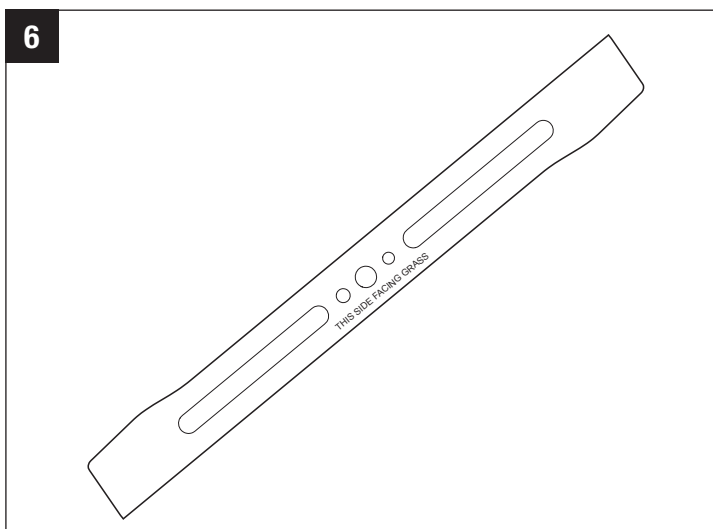


### Para instalar la cuchilla embolsadora

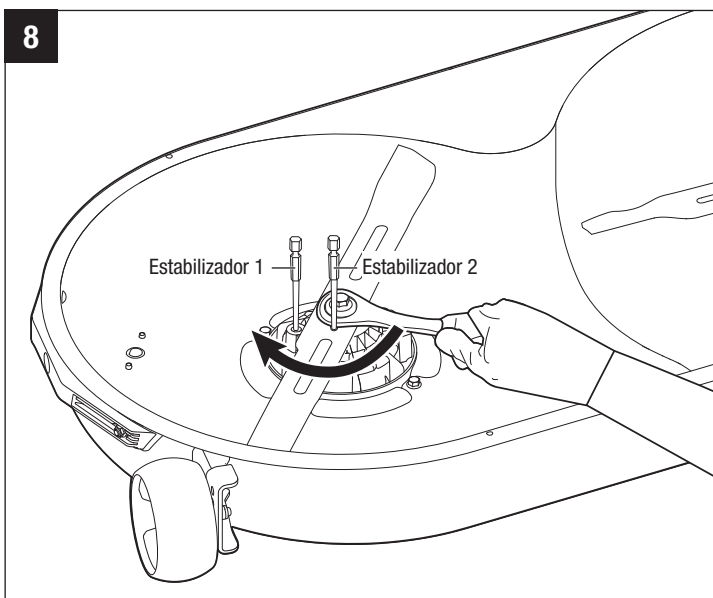
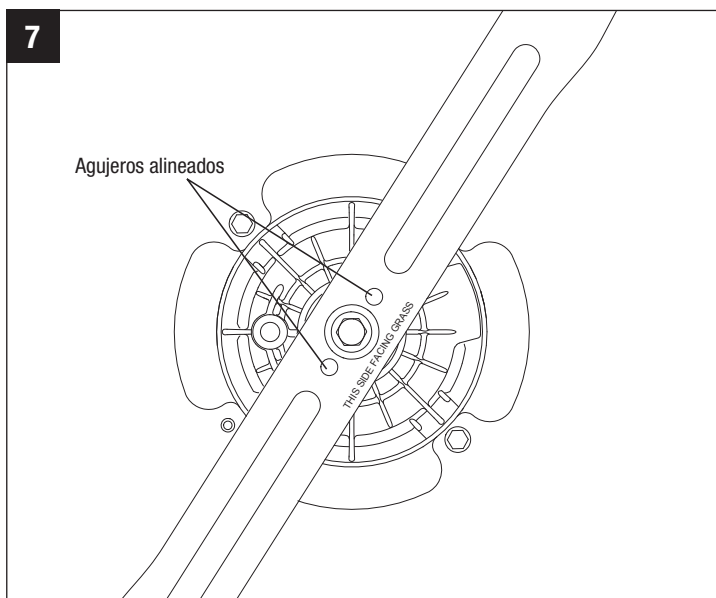
**⚠ ADVERTENCIA:** Protéjase siempre las manos usando guantes gruesos o envolviendo los bordes de corte con trapos u otros materiales cuando realice cualquier mantenimiento en la cuchilla (las cuchillas). Retire siempre la llave de seguridad y los paquetes de batería cuando haga servicio de ajustes y reparaciones del tractor o lo transporte.

**AVISO:** Para instalar las cuchillas embolsadoras, asegúrese de que todas las piezas sean reinstaladas en el orden exacto en que se hayan retirado (Fig. 5).

1. Si la brida se retira durante la remoción de la cuchilla, alinéela primero con el eje del motor y luego ensámblela en la posición correcta.
2. Mientras usa guantes protectores, posicione la cuchilla embolsadora sobre la brida con la superficie que dice **“THIS SIDE FACING GRASS”** (ESTE LADO ORIENTADO HACIA EL PASTO) orientada hacia fuera (Fig. 6).
3. Alinee la arandela con el eje del motor y móntela en el eje del motor
4. Monte el perno en el eje del motor. Apriete el perno a mano en el sentido de las agujas del reloj,
5. Mueva la cuchilla a mano para alinear los dos agujeros ubicados en la cuchilla con los dos agujeros ubicados en la brida (Fig. 7).



6. Coloque un destornillador o una varilla metálica de 1/4 de pulgada (6,35 mm) de diámetro o un poco menos (p. ej., una broca) en el agujero alineado ubicado en la cuchilla y la brida para que actúe como estabilizador. Coloque otro destornillador u otra varilla metálica de 5/16 de pulgada (8 mm) de diámetro o un poco menos en el agujero de fijación ubicado en el motor para que actúe como estabilizador (Fig. 8).

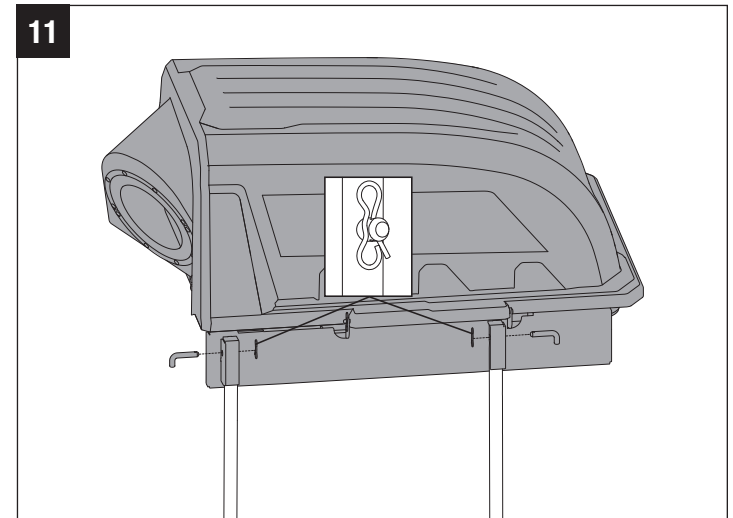
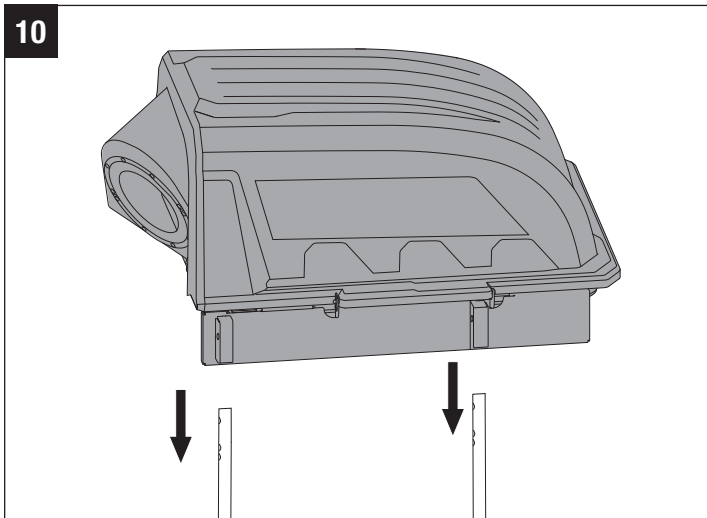
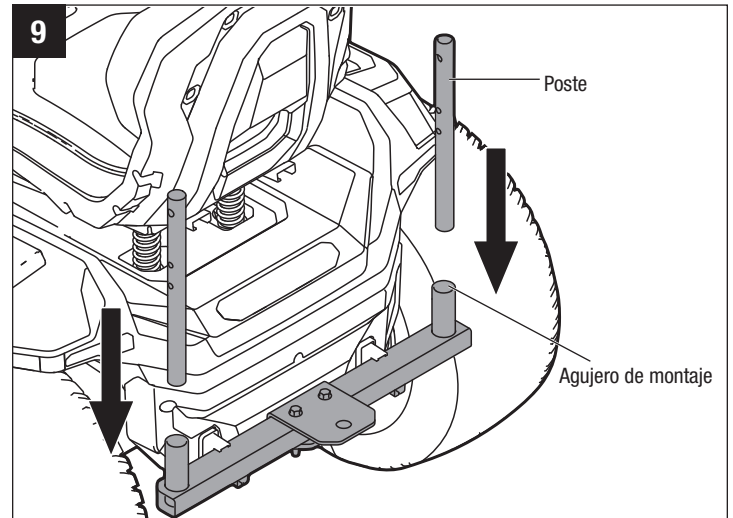


7. Utilice una llave de torsión de 14 mm para apretar el perno en el sentido de las agujas del reloj. La fuerza de torsión recomendada para el perno de la cuchilla es de 36-41 pies-lb (50-55 Nm).
8. Repita los pasos para la segunda cuchilla.
9. Reensamble la plataforma sobre el tractor en orden inverso.

**⚠ ADVERTENCIA:** Asegúrese de que las cuchillas embolsadoras estén asentadas adecuadamente y que los pernos de las cuchillas estén apretados con las especificaciones de fuerza de torsión indicadas anteriormente. Si no se instalan correctamente las cuchillas, el resultado podría ser que se aflojen y causen posibles lesiones corporales graves.

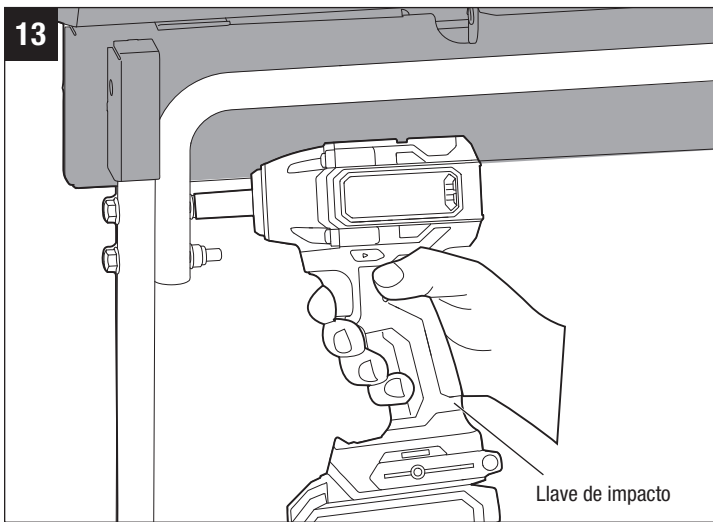
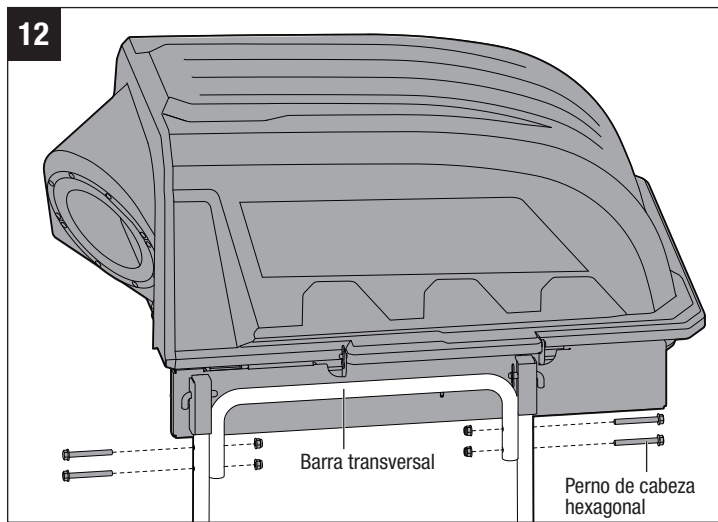
## ENSAMBLAJE E INSTALACIÓN DE LA EMBOLSADORA DE PASTO

1. Asegúrese de que el armazón para aditamentos se haya instalado en el tractor. Siga las instrucciones del manual del tractor para realizar la instalación.
2. Inserte los postes en los agujeros de montaje del tractor de la manera que se muestra en la ilustración (Fig. 9).
3. Levante el ensamblaje de la cubierta superior por encima de los postes y bájelo de manera que las puntas superiores de los postes se inserten en el ensamblaje de la cubierta superior, de la manera que se muestra en la ilustración (Fig. 10). Para simplificar el proceso, se recomienda que dos personas realicen este paso. Inserte dos pasadores de fijación en los agujeros y fíjelos con los pasadores de retención (Fig. 11).

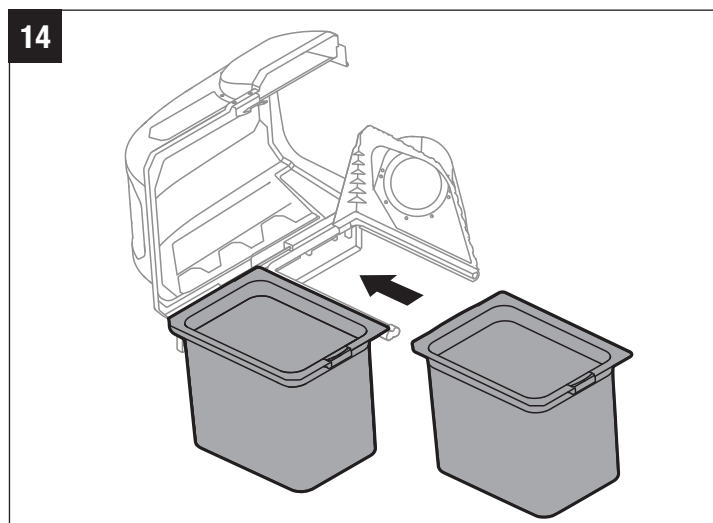


4. Sujete la barra transversal entre los postes para alinear los dos agujeros de montaje ubicados en ambos extremos de la barra transversal con los dos agujeros de montaje inferiores de cada poste. Preinstale cuatro pernos de cabeza hexagonal en ambos lados y apriete los pernos y las tuercas con los dedos (Fig. 12).
5. Apriete firmemente los cuatro pernos en ambos lados por medio de una llave de impacto con una bocalllave 1/2 pulgada (13 mm) (no incluida) (Fig. 13).

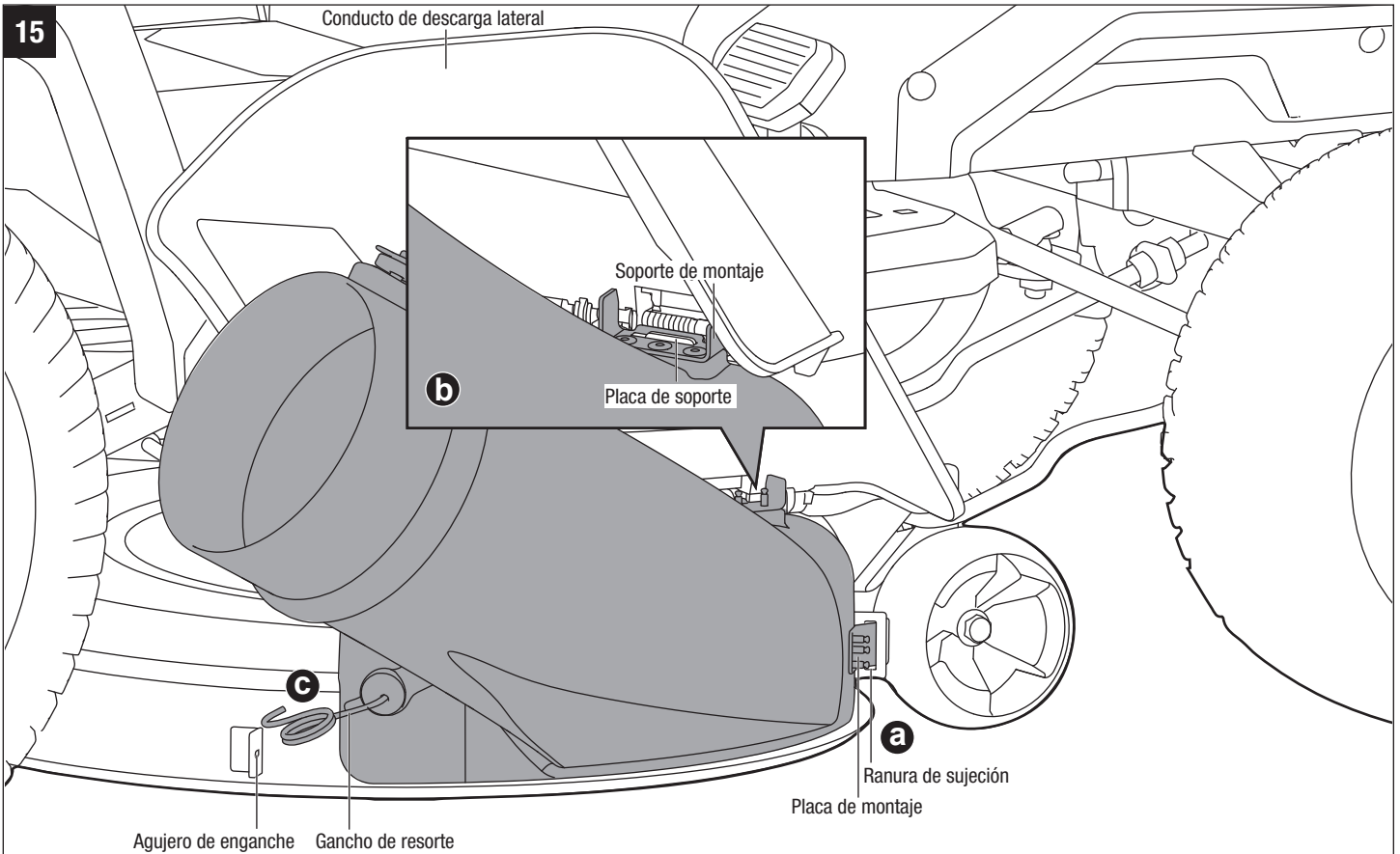
**⚠ ADVERTENCIA:** El uso de este producto con pernos que no esté sujetos correctamente podría tener como resultado lesiones corporales graves.



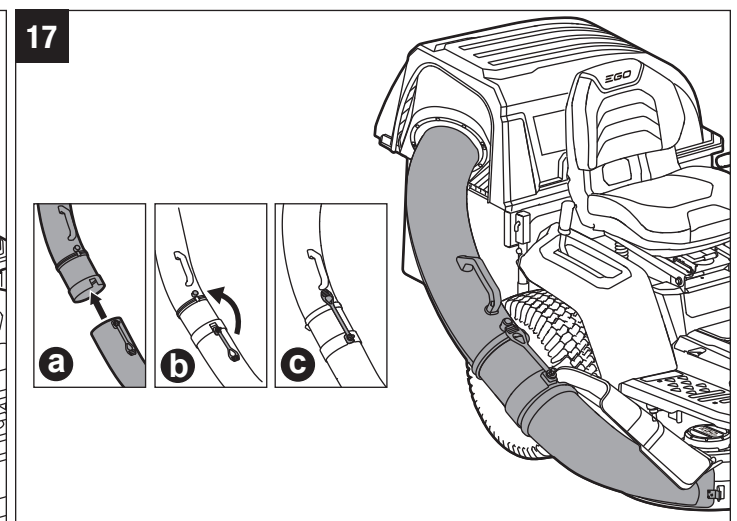
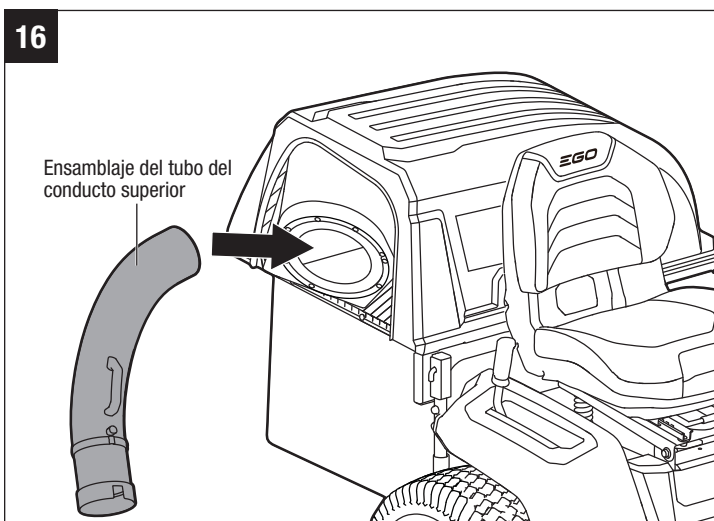
6. Abra la cubierta de la embolsadora de pasto empujando primero hacia dentro el mango de la cubierta y levantando luego dicho mango. Seguidamente, instale ambas bolsas de pasto sobre el ensamblaje de la cubierta superior, insertando primero el borde delantero y ajustando luego el borde trasero hacia abajo hasta que encaje en el ensamblaje, de la manera que se muestra en la Fig. 14.



7. Con el conducto de descarga lateral del tractor elevado y mantenido en posición abierta, instale el ensamblaje del tubo del conducto inferior en el tractor siguiendo estos tres pasos (Fig. 15).
  - a. Inserte la placa de montaje en la ranura de sujeción del tractor.
  - b. Alinee la placa de soporte ubicada en el tractor con la ranura ubicada en el soporte de montaje e insértela en dicha ranura.
  - c. Estire el gancho de resorte para sujetarlo al agujero de enganche del tractor.



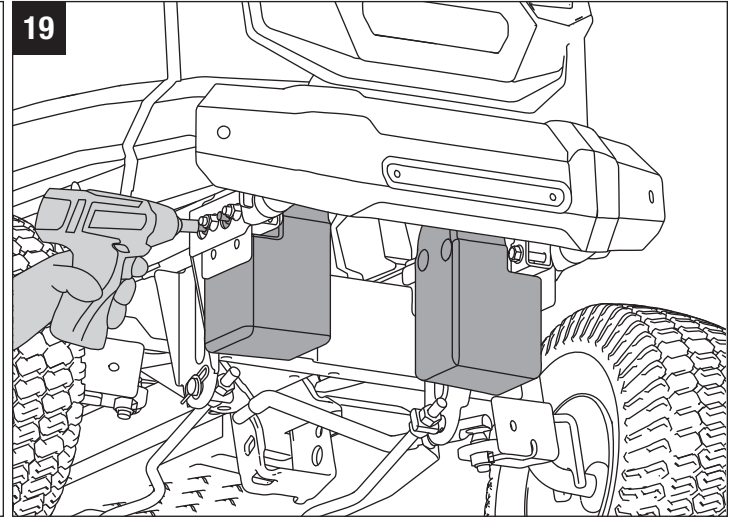
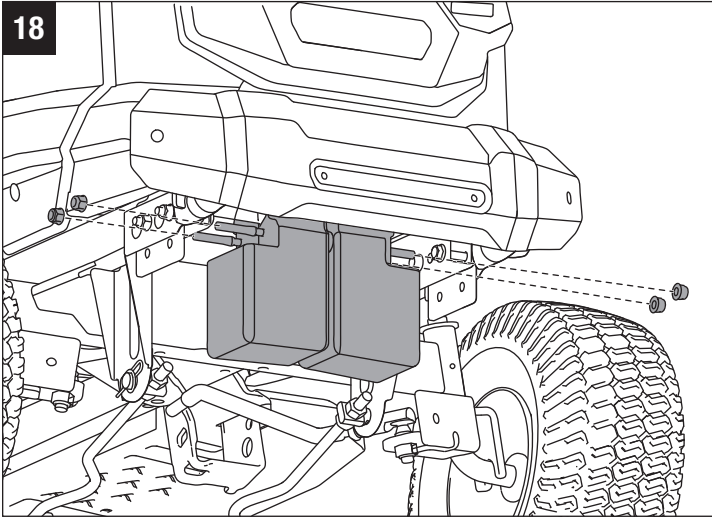
8. Inserte la parte superior del ensamblaje del tubo del conducto superior en el ensamblaje de la cubierta superior (Fig. 16).
9. Con la parte saliente alineada con la muesca, deslice el ensamblaje del tubo del conducto superior hacia el interior del ensamblaje del tubo del conducto inferior. Estire la hebilla de caucho hasta que esté enganchada en el tubo del conducto superior (Fig. 17).



## INSTALE LOS CONTRAPESOS

**⚠ ADVERTENCIA:** Se requieren los contrapesos cuando se utilice el tractor cortador de pasto eléctrico equipado con la embolsadora de pasto. Si no se instalan los contrapesos, es posible que el resultado sea lesiones graves o la muerte.

1. Inserte los dos contrapesos en la parte delantera del tractor de la manera que se muestra en la Fig. 18.
2. Preinstale cuatro tuercas en los pernos de ambos contrapesos y apriete las tuercas con los dedos. Luego, apriete firmemente las cuatro tuercas por medio de una llave de impacto con una bocallave de 1/2 pulgada (13 mm) (no incluida) de la manera que se muestra en la Fig. 19.



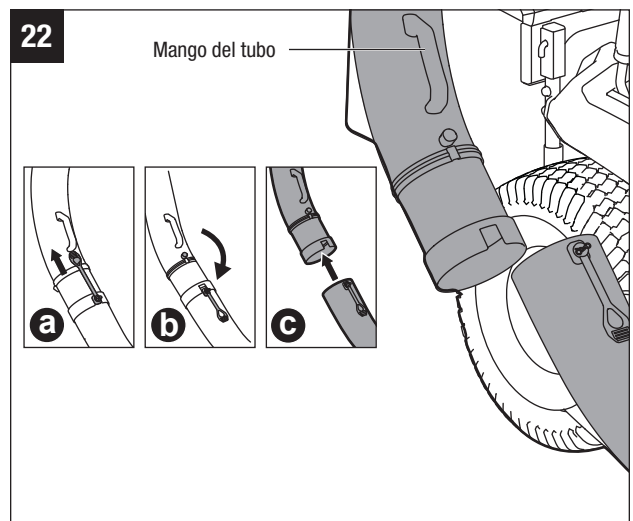
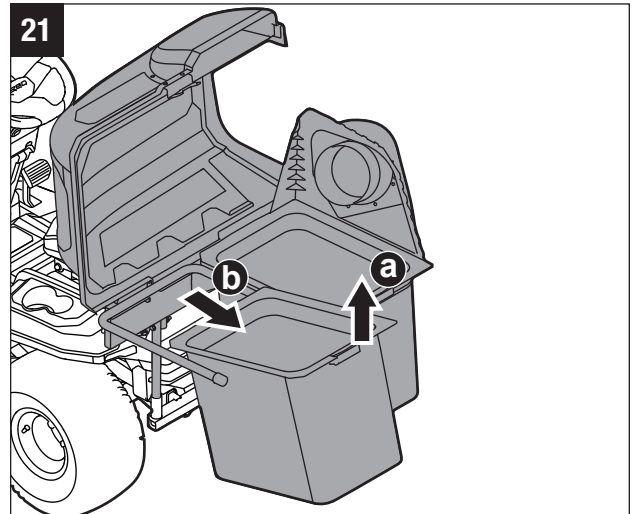
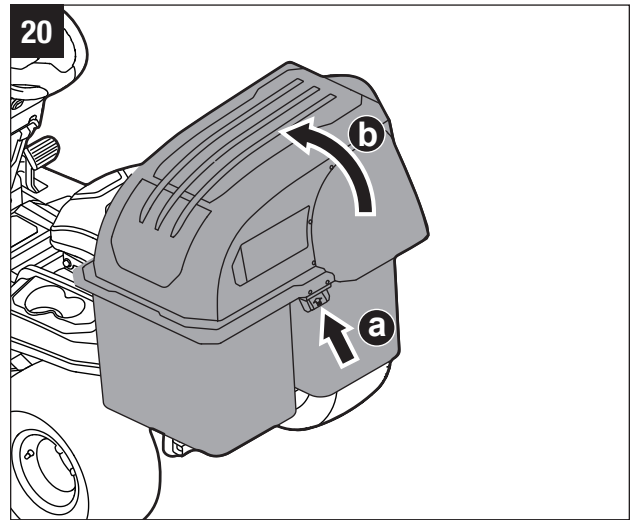
## UTILIZACIÓN

Cuando ambas embolsadoras de pasto estén llenas, coloque el tractor cortador de césped eléctrico sobre una superficie firme y nivelada y active el freno de estacionamiento. Pare los motores y retire la llave de seguridad para prevenir los arranques accidentales.

1. Abra la cubierta de la embolsadora de pasto empujando primero hacia dentro el mango de la cubierta y levantando luego dicho mango (Fig. 20).
2. Retire ambos ensamblajes de embolsadora levantado primero el borde delantero y deslizando luego el borde trasero hacia delante y hacia arriba hasta que haya sobrepasado el armazón (Fig. 21).
3. Vacíe el pasto cortado en un lugar de eliminación adecuado.
4. Reinstale ambos ensamblajes de embolsadora y cierre la cubierta. Rearranque el tractor para seguir cortando el pasto.

Cuando el pasto cortado esté bloqueado en el tubo del conducto, coloque el tractor cortador de pasto eléctrico sobre una superficie firme y nivelada y active el freno de estacionamiento. Pare los motores y retire la llave de seguridad para prevenir los arranques accidentales.

1. Estire la hebilla de caucho para desbloquear el tubo del conducto superior e inferior (Fig. 22).
2. Agarre el mango del tubo para deslizar hacia fuera el tubo del conducto superior. Agarre el mango del tubo para verter hacia fuera el pasto cortado obstruido en un lugar de eliminación de adecuado (Fig. 22).
3. Reinstale el ensamblaje del tubo del conducto superior. Rearranque el tractor para seguir cortando el pasto.



## GARANTÍA LIMITADA DE EGO

### TÉRMINOS Y DURACIÓN DE LA PÓLIZA DE GARANTÍA

Chervon North America, Inc. (“Chervon North America”), proporciona la siguiente Garantía Limitada para los productos EGO al comprador original de productos EGO.

El período de garantía detallado de cada producto EGO se puede encontrar en línea en <http://egopowerplus.com/warranty-policy>.

**Sírvase contactar a Servicio al Cliente de EGO llamando gratis al 877-346-9876 (877-EGO-ZTRM)** en cualquier momento en que tenga preguntas o reclamos de garantía, o si desea obtener una copia impresa de la garantía.

### GARANTÍA LIMITADA DE SERVICIO

Los productos EGO están garantizados contra defectos de material o de fabricación a partir de la fecha de compra minorista original durante el período de garantía aplicable. Para cualquier reclamo de garantía presentado de manera adecuada y oportuna, si Chervon North America determina que un producto presenta algún defecto durante el período de garantía, dicho producto recibirá una reparación o un remplazo gratuitos, según lo determine Chervon North America.

### CÓMO OBTENER SERVICIO

Para obtener servicio de garantía, dentro del período de garantía aplicable, sírvase contactar a servicio al cliente de EGO llamando gratis al **877-346-9876 (877-EGO-ZTRM)**. Cuando solicite servicio de garantía, deberá presentar el recibo de venta fechado original. Se seleccionará un centro de servicio autorizado para evaluar y reparar el producto si el mismo presenta algún defecto de acuerdo con los términos establecidos en la garantía. Cuando lleve su producto al centro de servicio autorizado, es posible que se requiera un pequeño depósito cuando deje allí su herramienta. Este depósito es reembolsable cuando se considere que el servicio de reparaciones esté cubierto bajo garantía.

### LIMITACIONES Y EXCLUSIONES ADICIONALES

Esta garantía limitada se aplica solo al comprador original que realice la compra a un minorista EGO autorizado y no es transferible. Los productos EGO no serán considerados defectuosos, y esta garantía no se aplicará, en los casos en que el defecto por el que se presente el reclamo sea atribuible a cualquier causa que no sean los defectos definidos anteriormente en este documento. Esta garantía quedará anulada si el producto se ha utilizado para fines de alquiler. Esta garantía no se aplicará a daños causados por accidente, abuso, uso incorrecto, alteración, modificación, reparación no autorizada, contacto con líquidos, incendio, terremoto u otra causa externa; utilización del producto sin seguir las instrucciones, especificaciones o pautas de EGO; o no hacer servicio de ajustes y reparaciones o no mantener adecuadamente el producto. Esta garantía tampoco se aplica a los daños cosméticos, incluyendo, pero sin limitarse a ello, rasguñaduras o abolladuras; defectos causados por el desgaste por el uso normal o defectos que de alguna otra manera se deban al envejecimiento normal del producto.

ESTA GARANTÍA EXPRESA SE DA EN LUGAR DE TODAS LAS DEMÁS GARANTÍAS, EXPRESAS O IMPLÍCITAS, INCLUYENDO, PERO SIN LIMITARSE A ELLO, TODAS LAS GARANTÍAS DE COMERCIALIZACIÓN O IDONEIDAD PARA UN PROPÓSITO O USO ESPECÍFICO, LAS CUALES QUEDAN EXCLUIDAS. Todas las garantías implícitas, incluyendo las garantías de comerciabilidad o idoneidad para un propósito específico, que no se puedan excluir bajo la ley estatal, están limitadas al período de garantía aplicable definido al comienzo de este artículo. El remedio único y exclusivo en conexión con la compra, instalación, uso y/o rendimiento de los productos EGO es la reparación o el reemplazo del producto tal y como lo determine Chervon North America. La responsabilidad máxima de North America no excederá en ningún caso el precio de compra pagado por el producto. CHERVON NORTH AMERICA NO SERÁ RESPONSABLE ANTE EL USUARIO NI ANTE NADIE MÁS POR DAÑOS EMERGENTES, INCIDENTALES, ESPECIALES, EJEMPLARES, INDIRECTOS O PUNITIVOS QUE SURJAN DEL USO DE LOS PRODUCTOS, INCLUYENDO, PERO SIN LIMITARSE A ELLO, LESIONES CORPORALES, MUERTE, DAÑOS MATERIALES, GANANCIAS PERDIDAS U OTROS PERJUICIOS ECONÓMICOS. Esta garantía le confiere a usted derechos legales específicos y es posible que usted tenga también otros derechos que varían de un estado a otro. Algunos estados no permiten limitaciones en cuanto a la duración de una garantía implícita, la exclusión o limitación de los daños incidentales o emergentes, o las limitaciones al tiempo para emprender ciertas acciones legales, por lo que las limitaciones contenidas en el presente documento no se aplican a los consumidores individuales de esos estados.

Esta garantía está sujeta a la ley de Michigan y se interpretará de acuerdo con dicha ley, con independencia de los principios sobre conflictos de leyes. No se emprenderá ninguna acción legal contra Chervon North America a menos que se presente dentro del plazo de un (1) año después de que se tenga conocimiento de la base de dicha acción legal o de la cual se debiera haber tenido conocimiento con el ejercicio de una diligencia razonable. Se considerará que se ha renunciado a cualquier acción legal que no se presente oportunamente.

Para obtener servicio al cliente, contáctenos llamando gratis al **877-346-9876 (877-EGO-ZTRM)** o en **EGOPOWERPLUS.COM**.

EGO Customer Service,  
769 Seward Ave. NW, Suite 102,  
Grand Rapids, Michigan 49504.





