

KitchenAid®

INSTALLATION INSTRUCTIONS

COMMERCIAL-STYLE DUAL FUEL RANGES
30" (76.2 cm), 36" (91.4 cm), AND 48" (121.9 cm)

For residential use only

INSTRUCTIONS D'INSTALLATION

CUISINIÈRE À DOUBLE COMBUSTIBLE DE STYLE COMMERCIAL DE
30 PO (76,2 cm), 36 PO (91,4 cm) ET 48 PO (121,9 cm)

Pour utilisation résidentielle uniquement

Table of Contents/Table des matières

RANGE SAFETY	2	SÉCURITÉ DE LA CUISINIÈRE	21
INSTALLATION REQUIREMENTS.....	4	EXIGENCES D'INSTALLATION.....	23
Tools and Parts.....	4	Outils et pièces.....	23
Location Requirements.....	5	Exigences d'emplacement	24
Electrical Requirements: U.S.A. Only.....	7	Spécifications électriques :	
Electrical Requirements: Canada Only	7	E.-U. seulement.....	26
Gas Supply Requirements.....	7	Spécifications électriques :	
INSTALLATION INSTRUCTIONS.....	9	Canada seulement	27
Unpack the Range	9	Spécifications de l'alimentation en gaz	27
Remove Door	9	INSTRUCTIONS D'INSTALLATION	29
Install Anti-Tip Bracket.....	10	Déballage de la cuisinière	29
Make Gas Connection	11	Retirer la porte	29
Verify Anti-Tip Bracket Location.....	12	Installation de la bride antibasculement.....	30
Install Griddle Tray.....	12	Raccordement au gaz.....	31
Electronic Ignition System	12	Vérification de l'emplacement	
Level Range.....	13	de la bride antibasculement	32
Install Kick Plate	13	Installer le plateau d'égouttement	32
Complete Installation	13	Système d'allumage électronique	32
GAS CONVERSIONS.....	14	Ajustement de l'aplomb de la cuisinière	33
Propane Gas Conversion.....	14	Installer la plinthe	33
Natural Gas Conversion.....	17	Terminer l'installation.....	33
		CONVERSIONS POUR CHANGEMENT	
		DE GAZ	34
		Conversion pour l'alimentation au propane... 34	
		Conversion au gaz naturel..... 37	

IMPORTANT:

Save for local electrical inspector's use.

Installer: Leave installation instructions with the homeowner.

Homeowner: Keep installation instructions for future reference.

IMPORTANT :

Conserver ces instructions à l'usage de l'inspecteur des installations électriques local.

Installateur : Remettre les instructions d'installation au propriétaire.

Propriétaire : Conserver les instructions d'installation pour référence ultérieure.

RANGE SAFETY

Your safety and the safety of others are very important.

We have provided many important safety messages in this manual and on your appliance. Always read and obey all safety messages.



This is the safety alert symbol.

This symbol alerts you to potential hazards that can kill or hurt you and others.

All safety messages will follow the safety alert symbol and either the word "DANGER" or "WARNING."

These words mean:

⚠ DANGER

You can be killed or seriously injured if you don't immediately follow instructions.

⚠ WARNING

You can be killed or seriously injured if you don't follow instructions.

All safety messages will tell you what the potential hazard is, tell you how to reduce the chance of injury, and tell you what can happen if the instructions are not followed.

WARNING: If the information in these instructions is not followed exactly, a fire or explosion may result causing property damage, personal injury or death.

- Do not store or use gasoline or other flammable vapors and liquids in the vicinity of this or any other appliance.
- **WHAT TO DO IF YOU SMELL GAS:**
 - Do not try to light any appliance.
 - Do not touch any electrical switch.
 - Do not use any phone in your building.
 - Immediately call your gas supplier from a neighbor's phone. Follow the gas supplier's instructions.
 - If you cannot reach your gas supplier, call the fire department.
- Installation and service must be performed by a qualified installer, service agency or the gas supplier.

⚠ WARNING:

Never Operate the Top Surface Cooking Section of this Appliance Unattended

- Failure to follow this warning statement could result in fire, explosion, or burn hazard that could cause property damage, personal injury, or death.
- If a fire should occur, keep away from the appliance and immediately call your fire department.

DO NOT ATTEMPT TO EXTINGUISH AN OIL/GREASE FIRE WITH WATER.

WARNING: Gas leaks cannot always be detected by smell.

Gas suppliers recommend that you use a gas detector approved by UL or CSA.

For more information, contact your gas supplier.

If a gas leak is detected, follow the “What to do if you smell gas” instructions.

IMPORTANT: Do not install a ventilation system that blows air downward toward this gas cooking appliance. This type of ventilation system may cause ignition and combustion problems with this gas cooking appliance resulting in personal injury or unintended operation.

In the State of Massachusetts, the following installation instructions apply:

- Installations and repairs must be performed by a qualified or licensed contractor, plumber, or gas fitter qualified or licensed by the State of Massachusetts.
- Acceptable Shut-off Devices: Gas Cocks and Ball Valves installed for use shall be listed.
- A flexible gas connector, when used, must not exceed 4 feet (121.9 cm).



⚠ WARNING

Tip Over Hazard

A child or adult can tip the range and be killed.

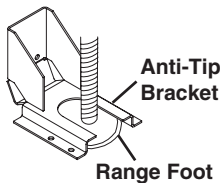
Install anti-tip bracket to floor or wall per installation instructions.

Slide range back so rear range foot is engaged in the slot of the anti-tip bracket.

Re-engage the anti-tip bracket if the range is moved.

Do not operate range without anti-tip bracket installed and engaged.

Failure to follow these instructions can result in death or serious burns to children and adults.



To verify the anti-tip bracket is installed and engaged:

- Slide range forward.
- Look for the anti-tip bracket securely attached to floor or wall.
- Slide range back so rear range foot is under anti-tip bracket.
- See installation instructions for details.

INSTALLATION REQUIREMENTS

Tools and Parts

Gather the required tools and parts before starting installation. Read and follow the instructions provided with any tools listed here.

Tools Needed



Pipe wrench



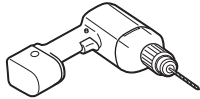
Adjustable wrench or
5/8" (16 mm) wrench



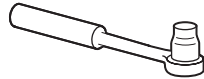
1/8" x 4 1/4" (3 mm x 100 mm)
flat-blade screwdriver



#2 Phillips screwdriver



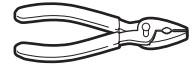
Drill



3/8" (9.5 mm) drive ratchet



15/16" (24 mm)
combination wrench



Pliers



Level



Tubing cutter



1/4" (6.4 mm), 3/8" (9.5 mm),
5/16" (7.9 mm) nut drivers



Marker or pencil



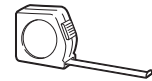
3/16" (4.8 mm) carbide tip
masonry bit



Pipe-joint compound
resistant to propane gas



Noncorrosive leak-detection
solution



Tape measure



1/8" (3.2 mm) drill bit

For Propane/Natural Gas Conversions



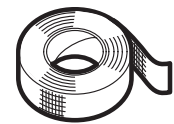
Large flat-blade screwdriver



Adjustable wrench



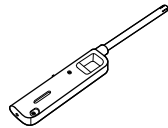
7 mm Nut Driver



Masking tape



1/2" (1.3 cm) open end
wrench



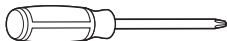
Lighter



T-20® Torx®† Driver



#1 Square Drive



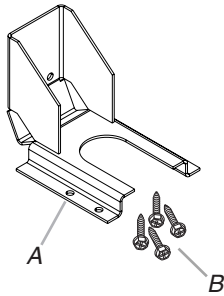
#2 Phillips Screwdriver

†®TORX and T20 are trademarks of Acument Intellectual Properties, LLC.

Parts Supplied

Check that all parts are included.

- Anti-tip bracket kit



A. Anti-tip bracket
B. #8-18 x 1" (2.5 cm) Phillips head screws (4)

NOTE: Anti-tip bracket must be securely mounted to subfloor. Thickness of flooring may require longer screws to anchor bracket to subfloor. Longer screws are available from your local hardware store. See the "Install Anti-Tip Bracket" section.

- Burner grates
- Burner caps
- Griddle drip tray (on griddle models)

Parts Needed

- All models must be installed with a backguard if installing at zero clearance to a combustible back wall surface such as drywall. See "Cabinet Dimensions" in the "Location Requirements" section for installation requirements.

Check local codes and consult gas supplier. Check existing gas supply and electrical supply. See the "Electrical Requirements" and "Gas Supply Requirements" sections.

It is recommended that all electrical connections be made by a licensed, qualified electrical installer.

Location Requirements

IMPORTANT: Observe all governing codes and ordinances. Do not obstruct flow of combustion and ventilation air.

- It is the installer's responsibility to comply with installation clearances specified on the model/serial/rating plate. The model/serial/rating plate is located under the console on the right-hand side.
- It is recommended that a 585 CFM (993.9 m³/hr) or larger range hood be installed above the range.
- Follow the range hood or microwave hood combination installation instructions for dimensional clearances above the cooktop surface.
- Recessed installations must provide complete enclosure of the sides and rear of the range.
- All openings in the wall or floor where range is to be installed must be sealed.
- Do not seal the range to the side cabinets.
- Cabinet opening dimensions that are shown must be used. Given dimensions are minimum clearances.
- The anti-tip bracket must be installed. To install the anti-tip bracket shipped with the range, see the "Install Anti-Tip Bracket" section.
- Grounded electrical supply is required. See the "Electrical Requirements" section.
- Proper gas supply connection must be available. See the "Gas Supply Requirements" section.
- Contact a qualified floor covering installer to check that the floor covering can withstand at least 200°F (93°C). Use an insulated pad or 1/4" (6.4 mm) plywood over carpet and under range if installing range over carpeting.

IMPORTANT: To avoid damage to your cabinets, check with your builder or cabinet supplier to make sure that the materials used will not discolor, delaminate, or sustain other damage. This oven has been designed in accordance with the requirements of UL and CSA International and complies with the maximum allowable wood cabinet temperatures of 194°F (90°C).

Mobile Home - Additional Installation Requirements

The installation of this range must conform to the Manufactured Home Construction and Safety Standard, Title 24 CFR, Part 3280 (formerly the Federal Standard for Mobile Home Construction and Safety, Title 24, HUD Part 280). When such standard is not applicable, use the Standard for Manufactured Home Installations, ANSI A225.1/NFPA 501A or local codes.

In Canada, the installation of this range must conform with the current standards CAN/CSA-A240-latest edition or with local codes.

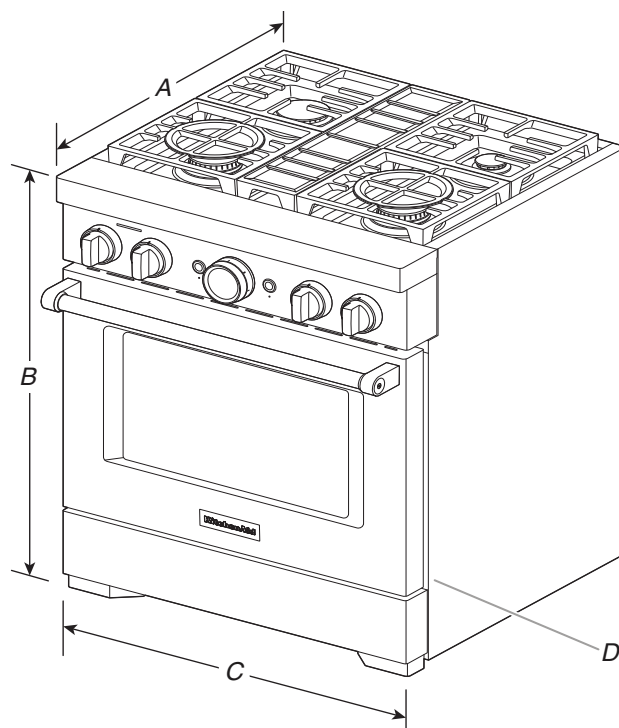
Mobile Home Installations Require:

- When this range is installed in a mobile home, it must be secured to the floor during transit. Any method of securing the range is adequate as long as it conforms to the standards listed above.
- The installation of appliances designed for recreational park trailers must conform with state or other codes or, in the absence of such codes, with the Standard for Recreational Park Trailers, ANSI A119.5.

Product Dimensions

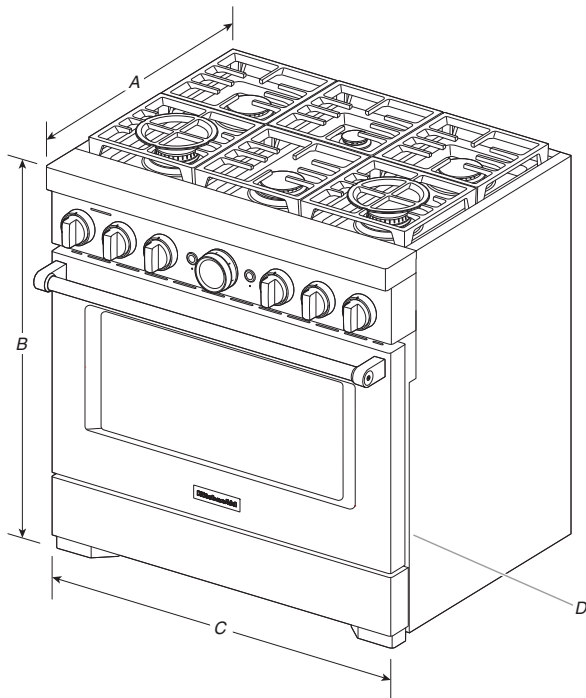
NOTE: Cooktop features may differ.

30" (76.2 cm) models



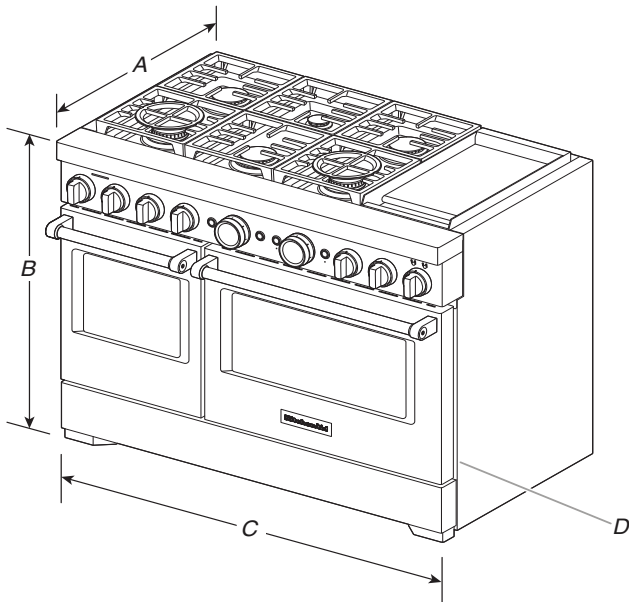
A. 27³/₄" (70.5 cm) depth with control panel (See NOTE)
B. 36" (91.4 cm) range height when sitting on the wheels
C. 29⁷/₈" (75.7 cm) width
D. Model/serial/rating plate location/SAID label (located on front side panel)

36" (91.4 cm) models



- A. 27³/₄" (70.5 cm) depth with control panel (See NOTE)
- B. 36" (91.4 cm) range height when sitting on the wheels
- C. 35⁷/₈" (91.1 cm) width
- D. Model/serial/rating plate location/SAID label (located on front side panel)

48" (121.9 cm) models



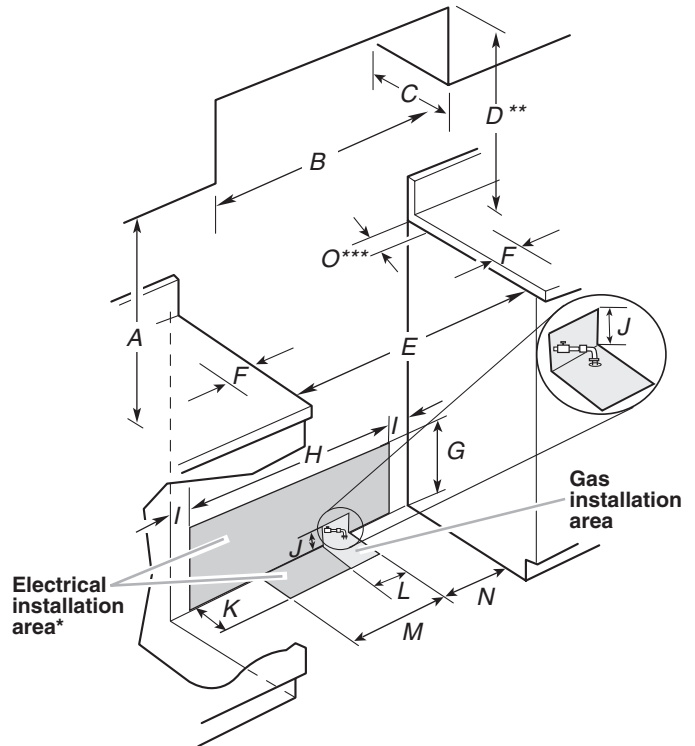
- A. 27³/₄" (70.5 cm) depth with control panel (See NOTE)
- B. 36" (91.4 cm) range height when sitting on the wheels
- C. 47⁷/₈" (121.6 cm) width
- D. Model/serial/rating plate location/SAID label (located on front side panel)

NOTE: When installed in a 24" (61.0 cm) base cabinet with 25" (63.5 cm) countertop; front of oven door protrudes 3" (7.6 cm) beyond 24" (61.0 cm) base cabinet.

Cabinet Requirements

Cabinet opening dimensions shown are for 25" (64.0 cm) countertop depth, 24" (61.0 cm) base cabinet depth, and 36" (91.4 cm) countertop height. Dimensions must be met in order to ensure a flush fit to back wall.

IMPORTANT: If installing a range hood, hood liner, or microwave hood combination above the cooking surface, follow the range hood or microwave hood combination installation instructions for dimensional clearances above the cooking surface.



- A. 18" (45.7 cm) upper cabinet to countertop
- B. 30" (76.2 cm) model: 30" (76.2 cm) minimum upper cabinet width
36" (91.4 cm) model: 36" (91.4 cm) minimum upper cabinet width
48" (121.9 cm) model: 48" (121.9 cm) minimum upper cabinet width
- C. 13" (33 cm) maximum upper cabinet depth
- D. For minimum clearance to top of range.**
- E. 30" (76.2 cm) on 30" (76.2 cm) models
36" (91.4 cm) on 36" (91.4 cm) models
48" (121.9 cm) on 48" (121.9 cm) models
- F. 12" (30.4 cm) minimum clearance from both sides of range to side wall or other combustible material
- G. 15" (38.1 cm)
- H. 22" (55.9 cm) on 30" (76.2 cm) models
28" (71.1 cm) on 36" (91.4 cm) models
40" (101.6 cm) on 48" (121.9 cm) models
- I. 4" (10.1 cm)
- J. 3" (7.6 cm)
- K. 5" (12.7 cm)
- L. 6" (15.2 cm) on 30" (76.2 cm) models
12" (30.5 cm) on 36" (91.4 cm) models
24" (61.0 cm) on 48" (121.9 cm) models
- M. 10¹/₂" (26.7 cm)
- N. 9" (22.9 cm)
- O. 6" (15.2 cm)***

** If not using ventilation, Minimum Clearances

30" (76.2 cm) models: 42" (106.7 cm) minimum clearance between the top of the cooking platform and the bottom of a combustible surface.

36" (91.4 cm) models: 42" (106.7 cm) minimum clearance between the top of the cooking platform and the bottom of a combustible surface.

48" (121.9 cm) models: 48" (121.9 cm) minimum clearance between the top of the cooking platform and the bottom of a combustible surface.

***If the surface of the back wall is constructed of a combustible material and a backguard is not installed, a 6" (15.2 cm) minimum clearance is required for all models.

Electrical Requirements: U.S.A. Only

If codes permit and a separate ground wire is used, it is recommended that a qualified electrical installer determine that the ground path and wire gauge are in accordance with local codes.

If codes permit and a separate ground wire is used, it is recommended that a qualified electrician determine that the ground path is adequate.

Do not use an extension cord.

Be sure that the electrical connection and wire size are adequate and in conformance with the National Electrical Code, ANSI/ NFPA 70 — latest edition — and all local codes and ordinances.

A copy of the above code standards can be obtained from:

National Fire Protection Association
1 Batterymarch Park
Quincy, MA 02169-7471

WARNING: Improper connection of the equipment-grounding conductor can result in a risk of electric shock. Check with a qualified electrician or service technician if you are in doubt as to whether the appliance is properly grounded. Do not modify the power supply cord plug. If it will not fit the outlet, have a proper outlet installed by a qualified electrician.

Electrical Connection

To properly install your range, you must determine the type of electrical connection you will be using and follow the instructions provided for it here.

- Range must be connected to the proper electrical voltage and frequency as specified on the model/serial/rating plate. The model/serial/rating plate is located under the console on the right-hand side. Refer to the illustrations in "Product Dimensions" in the "Location Requirements" section.
- This range is manufactured with a 4-wire power supply cord.
- An overcurrent protection device such as a circuit breaker or fuse with the correct rating is required.
- Wire sizes and connections must conform with the rating of the range.
- When a 4-wire, single-phase 240 V, 60 Hz, AC only electrical supply is available, a 40 A minimum circuit protection is required on 30" (76.2 cm) and 36" (91.4 cm) ranges and a 50 A minimum circuit protection is required on 48" (121.9 cm) ranges, fused on both sides of the line.

NOTE: If your home does not have a 4-wire system, consult your local qualified electrician.

Electrical Requirements: Canada Only

WARNING



Electrical Shock Hazard

Electrically ground range.

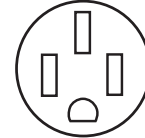
Failure to do so can result in death, fire, or electrical shock.

Be sure that the electrical connection and wire size are adequate and in conformance with the CSA Standard C22.1, Canadian Electrical Code, Part 1 — latest edition — and all local codes and ordinances.

A copy of the above code standards can be obtained from:

Canadian Standards Association
178 Rexdale Blvd.
Toronto, ON M9W 1R3 CANADA

- Check with a qualified electrical installer if you are not sure the range is properly grounded.
- When a 4-wire, single-phase 250 V, 60 Hz, AC only electrical supply is available, a 40 A minimum circuit protection is required on 30" (76.2 cm) and 36" (91.4 cm) ranges and a 50 A minimum circuit protection is required on 48" (121.9 cm) ranges, fused on both sides of the line.
- A time-delay fuse or circuit breaker is recommended.
- This range is equipped with a CSA International Certified Power Cord intended to be plugged into a standard 14-50R wall receptacle. Be sure the wall receptacle is within reach of range's final location.



- Do not use an extension cord.

Gas Supply Requirements

WARNING



Explosion Hazard

Use a new CSA International approved gas supply line.

Install a shut-off valve.

Securely tighten all gas connections.

If connected to propane, have a qualified person make sure gas pressure does not exceed 14" (36 cm) water column.

Examples of a qualified person include:

**licensed heating personnel,
authorized gas company personnel, and
authorized service personnel.**

Failure to do so can result in death, explosion, or fire.

Observe all governing codes and ordinances.

IMPORTANT: This installation must conform with all local codes and ordinances. In the absence of local codes, installation must conform with American National Standard, National Fuel Gas Code ANSI Z223.1/NFPA 54 — latest edition — or in Canada, the Natural Gas and Propane Installation Code, CSA B149.1 — latest edition.

IMPORTANT: Range must be connected to a regulated gas supply.

IMPORTANT: Leak testing of the range must be conducted according to the manufacturer's instructions.

Type of Gas

Natural Gas:

This range is factory set for use with Natural gas. The model/serial/rating plate, located under the console on the right-hand side, has information on the types of gas that can be used. If the types of gas listed do not include the type of gas available, check with the local gas supplier.

Propane Gas conversion:

Conversion must be done by a qualified service technician.

No attempt shall be made to convert the range from the gas specified on the model/serial/rating plate for use with a different gas without consulting the serving gas supplier. To convert to Propane gas, use the Propane gas conversion kit provided with your range and see the "Gas Conversions" section. The parts for this kit are in the package containing literature supplied with the range.

Gas Supply Line

- Provide a gas supply line of 3/4" (1.9 cm) rigid pipe to the range location. A smaller size pipe on longer runs may result in insufficient gas supply. With Propane gas, piping or tubing size can be 1/2" (1.3 cm) minimum. Usually, Propane gas suppliers determine the size and materials used in the system.

NOTE: Pipe-joint compounds that resist the action of Propane gas must be used. Do not use TEFLON[†] tape.

Flexible metal appliance connector:

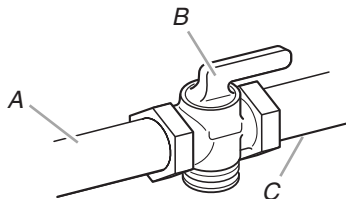
- If local codes permit, a new CSA design-certified, 4-5 ft (122-152 cm) long, 5/8" (1.6 cm) or 3/4" (1.9 cm) I.D., flexible metal appliance connector may be used for connecting the range to the gas supply line.



- A 1/2" (1.3 cm) male pipe thread is needed for connection to the female pipe threads of the inlet to the appliance pressure regulator.
- Do not kink or damage the flexible metal tubing when moving the range.

IMPORTANT: All connections must be wrench-tightened. Do not make connections to the gas regulator too tight. Making the connections too tight may crack the regulator and cause a gas leak. Do not allow the regulator to turn or move when tightening fittings.

- Must include a shut-off valve:
Install a manual gas line shut-off valve in an easily accessible location. Do not block access to shut-off valve. The valve is for turning on or shutting off gas to the range.



- A. Gas supply line
- B. Shut-off valve open position
- C. To range

Gas Pressure Regulator

The gas pressure regulator supplied with this range must be used. The inlet pressure to the regulator should be as follows for proper operation:

Natural Gas:

Minimum pressure: 5" (12.7 cm) WCP
Maximum pressure: 14" (35.6 cm) WCP

Propane Gas:

Minimum pressure: 10" (25.4 cm) WCP
Maximum pressure: 14" (35.6 cm) WCP

Contact local gas supplier if you are not sure about the inlet pressure.

Burner Input Rating – Altitude

Input ratings shown on the model/serial/rating plate are for elevations up to 2,000 ft (609.6 m).

For elevations above 2,000 ft (609.6 m), ratings need to be reduced at a rate of 4% for each 1,000 ft (304.8 m) above sea level (not applicable for Canada).

Gas Supply Pressure Testing

Gas supply pressure for testing regulator must be at least 1" (2.5 cm) water column pressure above the manifold pressure shown on the model/serial/rating plate.

Line pressure testing above 1/2 psi (3.5 kPa) gauge (14" [35.6 cm] WCP)

The range and its individual shut-off valve must be disconnected from the gas supply piping system during any pressure testing of that system at test pressures in excess of 1/2 psi (3.5 kPa).

Line pressure testing at 1/2 psi (3.5 kPa) gauge (14" [35.6 cm] WCP) or lower

The range must be isolated from the gas supply piping system by closing its individual manual shut-off valve during any pressure testing of the gas supply piping system at test pressures equal to or less than 1/2 psi (3.5 kPa).

[†]TEFLON is a registered trademark of Chemours.

INSTALLATION INSTRUCTIONS

Unpack the Range

⚠ WARNING

Excessive Weight Hazard

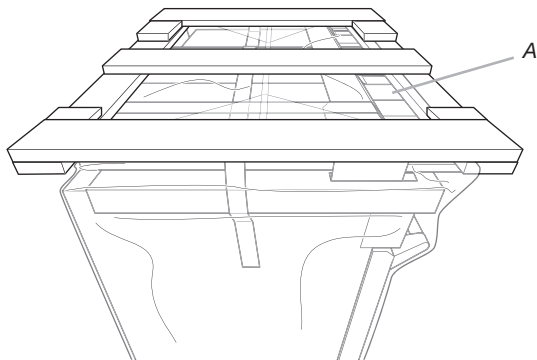
Use two or more people to move and install range.
Failure to do so can result in back or other injury.

Remove shipping materials, tape, and film from range. Keep shipping pallet under range. Remove oven racks, and parts package from inside oven. Remove grates from top of oven.

Remove Kick Plate

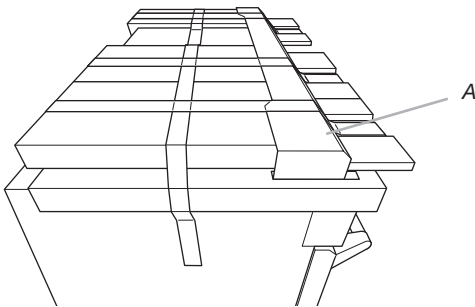
1. Your range will have the kick plate packaged on top of the unit.
 - a. Remove kick plate from top of range and grate pack.

In packaging



A. Kick plate

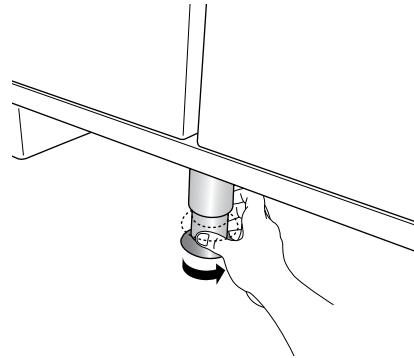
Packaging removed



A. Kick plate

- b. Lay kick plate to the side to avoid scratching.

2. For 48" (121.9 cm) models only, rotate center support counterclockwise off the pallet until it stops.



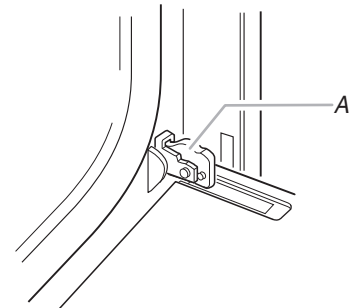
NOTE: This support is used only for shipping and is not needed for installation.

3. Lay a piece of cardboard from packaging on the floor behind range. Using two or more people, firmly grasp each side of range. Lift range up about 3" (8.0 cm) and move it back until range is off shipping pallet. Set range on cardboard to avoid damaging floor.

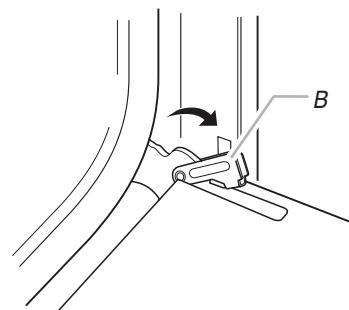
Remove Door

Door Removal

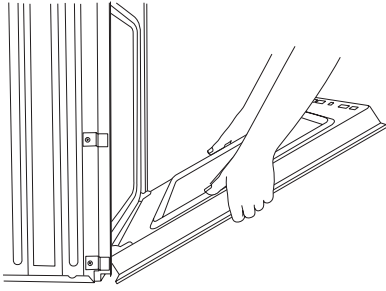
- Do not remove the side door spacers until the range is ready to install. Removing the door spacers could allow the door to shift, damaging the door latch.
- Do not lift or move the range by the door handle(s) or control panel.
- Prior to installing the range, you will need to remove the oven door(s). Prepare a surface where you will place the door(s). This surface should be flat and covered with a soft blanket, or use the corner posts from the packaging material.



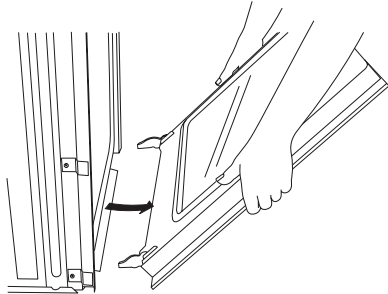
A. Oven door hinge in the locked position



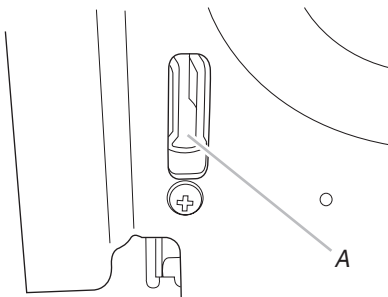
B. Oven door hinge in the unlocked position



Partially close the door to engage the door latch locks. The door will stop at this point.



Use two hands to remove and replace the oven door(s). It may be necessary to gently shift door from side to side.



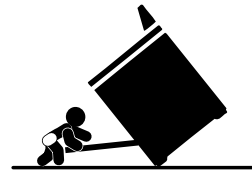
A. Slot in the oven frame for the door hinge lock

Replace the Door

- To replace the oven door(s), locate the slots in the oven cavity for the hinge locks and repeat the steps above in reverse order. Make sure the door closes properly and there is no interference from the door latch. If necessary, remove the door and repeat the steps above. If power is connected to the range, open and close the door to make sure the oven light comes on and goes off appropriately.
- The range is equipped with leveling legs and rollers. Once the range is removed from the shipping pallet, make sure the leveling legs are not touching the floor and use the rollers to move the range into position. Always cover the flooring surface to avoid damage to the floor. Do not roll the range directly on the floor.

Install Anti-Tip Bracket

⚠ WARNING



Tip Over Hazard

A child or adult can tip the range and be killed.

Install anti-tip bracket to floor or wall per installation instructions.

Slide range back so rear range foot is engaged in the slot of the anti-tip bracket.

Re-engage anti-tip bracket if range is moved.

Do not operate range without anti-tip bracket installed and engaged.

Failure to follow these instructions can result in death or serious burns to children and adults.

1. Determine which mounting method to use: floor or wall. If you have a stone or masonry floor, you can use the wall mounting method.
2. Determine and mark centerline of the cutout space. The mounting bracket must be installed on the left side of the cutout. Position mounting bracket in cutout as shown in the following illustration.

Measurement B:

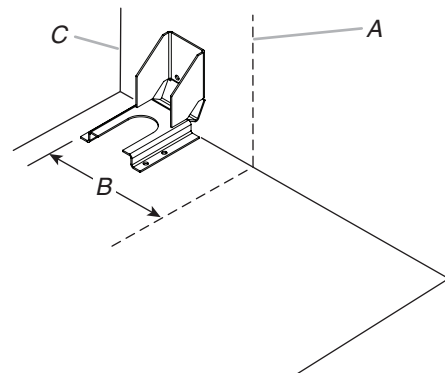
30" (76.2 cm) ranges: 13" (33.0 cm)

36" (91.4 cm) ranges: 16" (40.6 cm)

48" (121.9 cm) ranges: 22" (55.9 cm)

Measurement C:

Optional distance from back wall. If back wall is constructed of a combustible material and a backguard is not installed, a 6" (15.2 cm) minimum clearance is required for all models. Install anti-tip bracket accordingly.



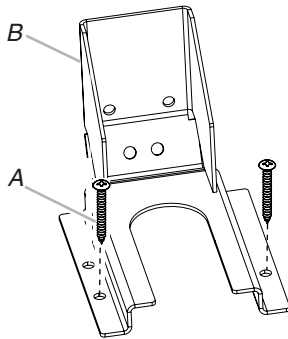
A. Centerline

B. Centerline of cutout to outside edge of anti-tip bracket

C. Back wall to back of range

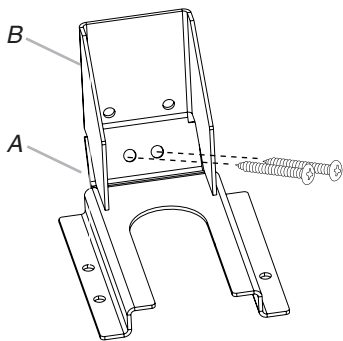
- Drill two 1/8" (3.0 mm) holes that correspond to the bracket holes of the determined mounting method. See the following illustrations.

Floor Mounting



A. #12 x 1 5/8" (4.1 cm) screws
B. Anti-tip bracket

Wall Mounting



A. #12 x 1 5/8" (4.1 cm) screws
B. Anti-tip bracket

- Using a Phillips screwdriver, mount anti-tip bracket to the wall or floor with the two #12 x 1 5/8" (4.1 cm) screws provided.
Depending on the thickness of your flooring, longer screws may be necessary to anchor the bracket to the subfloor. Longer screws are available from your local hardware store.
- Move range close enough to opening to allow for electrical connections to be made. Remove shipping base, cardboard, or hardboard from under range.
- Continue installing your range using the following installation instructions.

Make Gas Connection

⚠ WARNING



Explosion Hazard

Use a new CSA International approved gas supply line.
Install a shut-off valve.

Securely tighten all gas connections.

If connected to propane, have a qualified person make sure gas pressure does not exceed 14" (36 cm) water column.

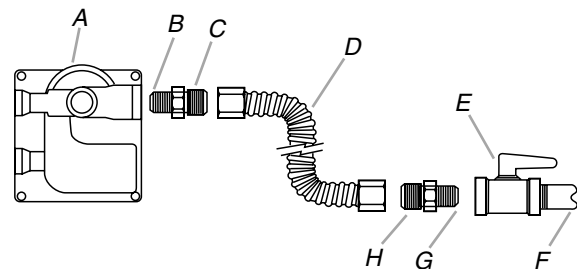
Examples of a qualified person include:

licensed heating personnel,
authorized gas company personnel, and
authorized service personnel.

Failure to do so can result in death, explosion, or fire.

- Assemble flexible connector from gas supply pipe to pressure regulator located in the middle rear of the range.
- Apply pipe-joint compound made for use with Propane gas to the smaller thread ends of the flexible connector adapters. (See B and G in the following illustration.)
- Attach one adapter to the gas pressure regulator and the other adapter to the gas shut-off valve. Tighten both adapters, being certain not to move or turn the gas pressure regulator.
- Use a 15/16" (2.4 cm) combination wrench and an adjustable wrench to attach the flexible gas supply to the adapters. Check that connector is not kinked.

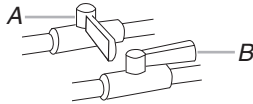
IMPORTANT: All connections must be wrench-tightened. Do not make connections to the gas regulator too tight. Making the connections too tight may crack the regulator and cause a gas leak. Do not allow the regulator to turn or move when tightening fittings.



- | | |
|---|--|
| A. Gas pressure regulator | E. Manual gas shut-off valve |
| B. Use pipe-joint compound. | F. 1/2" (1.3 cm) or 3/4" (1.9 cm) gas pipe |
| C. Adapter (must have 1/2" [1.3 cm] male pipe thread) | G. Use pipe-joint compound. |
| D. Flexible connector | H. Adapter |

Complete Connection

1. Open the manual shut-off valve in the gas supply line. The valve is open when the handle is parallel to the gas pipe.

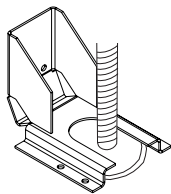


A. Closed valve
B. Open valve

2. Test all connections by brushing on an approved noncorrosive leak-detection solution. If bubbles appear, a leak is indicated. Correct any leak found.
3. Remove range burner caps, and grates from parts package. Place burner caps on burner bases. Place grates over burners and caps.
4. Check that the range is plugged into the appropriate grounded outlet. (See the "Electrical Requirements" section.)
5. Turn on power supply. For further information, please refer to the user instructions located in the Use and Care Guide.

Verify Anti-Tip Bracket Location

1. Using a 5/16" (7.9 mm) socket or wrench, turn all four leveling rods one full turn to raise the range and provide enough clearance for the rear leveling leg to slide into the anti-tip bracket.

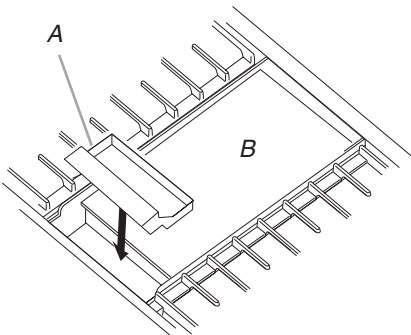


2. Move range into its final location, making sure rear leveling leg slides into anti-tip bracket.
3. Use a flashlight to look underneath the bottom of the range and visually check that the rear range foot is inserted into the slot of the anti-tip bracket.

Install Griddle Tray (On griddle models)

The griddle is factory installed.

1. Place drip tray in the well at the front of the griddle. Slide tray toward the back until it stops.



A. Griddle drip tray
B. Griddle

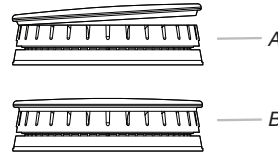
2. Clean griddle before using. Refer to the Use and Care Guide.

Electronic Ignition System

Install Burner Caps

Place burner caps on top of burner. If burner caps are not properly positioned, surface burners will not light.

Burner



A. Incorrect
B. Correct

Initial Lighting and Gas Flame Adjustments

Range burners use electronic igniters in place of standing pilots. When the Range Control Knob is turned to any position, the system creates a spark to light the burner. This sparking continues until the flame is lit or the knob is turned to OFF.

NOTE: The first time igniting the burners will take longer. This allows the gas to reach the burners during the first use.

Check Operation of Range Burners

Push in and turn each Control Knob to .

NOTE: You will hear a clicking sound while the line clears.

The surface burners and grill flames should light within 4 seconds. The first time a burner is lit, it may take longer than 4 seconds to light because of air in the gas line.

After verifying the proper burner operation, turn the Control Knobs to OFF.

If burners do not light properly:

- Turn Range Control Knob to OFF.
- Check that the range is plugged in and the circuit breaker has not tripped or the fuse has not blown.
- Check that the gas shut-off valves are set to the open position.
- Check that burner caps are properly positioned on burner bases.

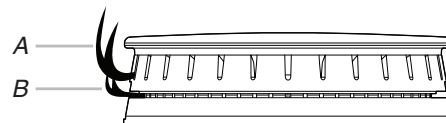
Repeat startup. If a burner does not light at this point, contact your dealer or authorized service company for assistance.

Flame Height

The range flame should be a steady blue flame.

NOTE: Flame heights are factory set. If they don't appear correct, please contact your service provider.

Burner



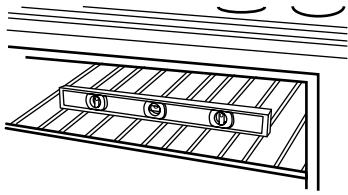
A. Upper (main) flame
B. Lower (simmer) flame

NOTE: Dual Stacked burner shown.

Level Range

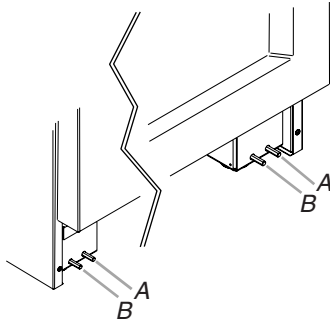
NOTE: Range must be level for satisfactory baking performance.

1. Place rack in oven.
2. Place level on rack and check levelness of the range, first side to side, then front to back.



3. If range is not level, adjust the leveling rods. Using a wrench, turn leveling rods located behind the kick plate to level range and to raise or lower range to the desired countertop height.

NOTE: All roller feet must be off the floor upon final installation.



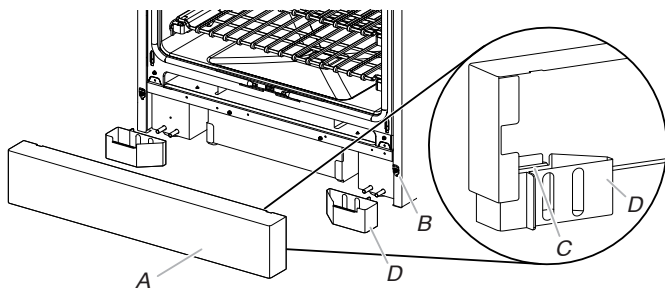
A. Rear leveling rod
B. Front leveling rod

NOTE: Turning clockwise raises the unit, whereas turning counterclockwise lowers the unit.

Install Kick Plate

NOTE: Door must be removed in order to remove or replace kick plate. Refer to the "Remove Door" section.

Align kick plate over the kick plate slots and push kick plate down.



A. Kick plate
B. Kick plate tab
C. Kick plate slot
D. Feet

Complete Installation

1. Check that all parts are now installed. If there is an extra part, go back through the steps to see which step was skipped.
2. Check that you have all of your tools.
3. Dispose of/recycle all packaging materials.
4. For oven use and cleaning, read the Use and Care Guide.

Check Operation of Oven(s)

1. Turn power on.
2. Start a Bake cycle. See the Use and Care Guide for operating instructions.
If oven(s) does not operate, check the following:
 - Household fuse is intact and tight or circuit breaker has not tripped.
 - Electrical supply is connected.
 - See the "Troubleshooting" section in the Use and Care Guide.
3. When oven has been on for 10–15 minutes, open the oven door and feel for heat.
If you do not feel heat, turn off the oven and contact a qualified technician.

If you need Assistance or Service:

Please reference the "Assistance or Service" section of the Use and Care Guide or contact the dealer from whom you purchased your range.

GAS CONVERSIONS

IMPORTANT: Gas conversions from Natural gas to Propane gas must be done by a qualified installer.

⚠ WARNING



Explosion Hazard

Use a new CSA International approved gas supply line.

Install a shut-off valve.

Securely tighten all gas connections.

If connected to propane, have a qualified person make sure gas pressure does not exceed 14" (36 cm) water column.

Examples of a qualified person include:
licensed heating personnel,
authorized gas company personnel, and
authorized service personnel.

Failure to do so can result in death, explosion, or fire.

Propane Gas Conversion

⚠ WARNING



Tip Over Hazard

A child or adult can tip the range and be killed.

Install anti-tip bracket to floor or wall per installation instructions.

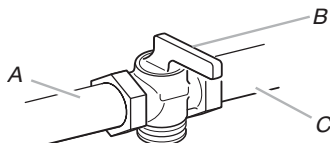
Slide range back so rear range foot is engaged in the slot of the anti-tip bracket.

Re-engage anti-tip bracket if range is moved.

Do not operate range without anti-tip bracket installed and engaged.

Failure to follow these instructions can result in death or serious burns to children and adults.

1. Turn the manual shut-off valve to the closed position.



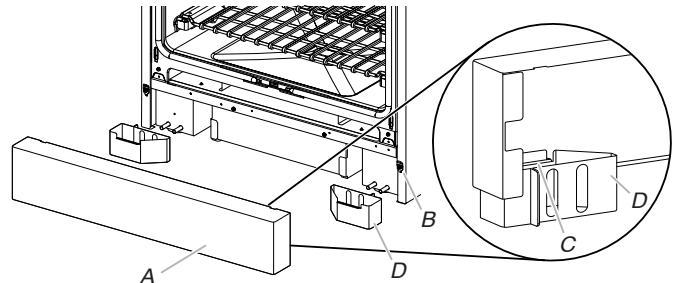
- A. To range
- B. Shut-off valve (closed position)
- C. Gas supply line

2. Unplug range or disconnect power.

To Convert Gas Pressure Regulator from Natural Gas to Propane

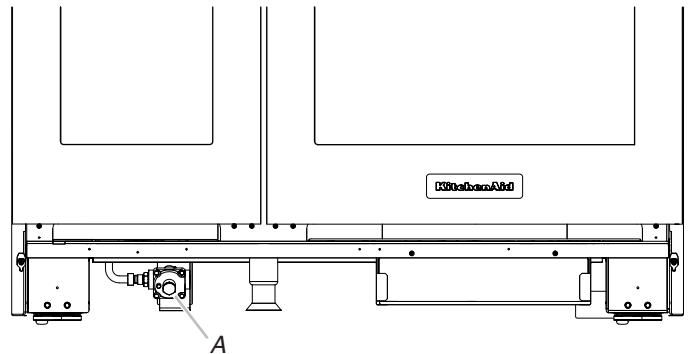
NOTE: Door must be removed in order to remove or replace kick plate. Refer to the "Remove Door" section.

1. Lift the kick plate up and off of the kick plate tab.



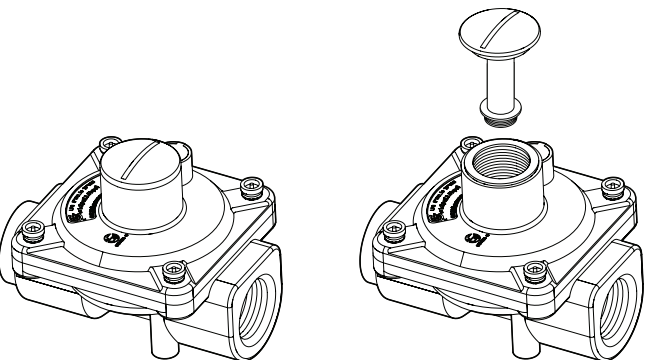
- A. Kick plate
- B. Kick plate tab
- C. Kick plate slot
- D. Feet

2. Gently lay kick plate aside to avoid scratching.
3. Locate the gas pressure regulator at the left rear of the range.



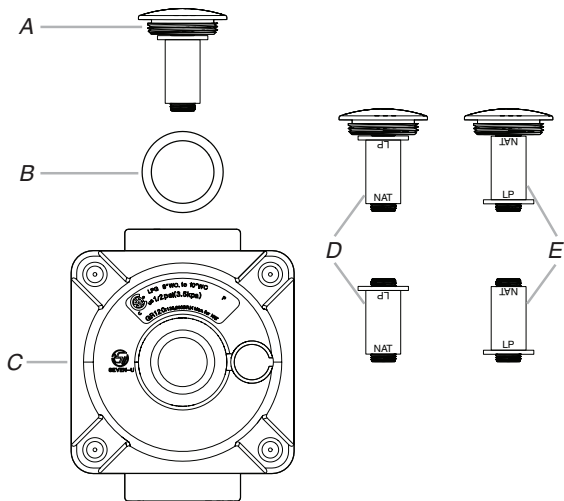
- A. Gas pressure regulator

4. Remove the gas pressure regulator cap by using a large flat-blade screwdriver, turning the regulator cap counterclockwise. When the cap is removed, do not lose the metal seal.



NOTE: Do not remove the spring beneath the cap.

- Remove spring retainer from the cap by turning the spring retainer counterclockwise. Locate the "LP" and "NAT" position on the spring retainer. Turn over the spring retainer so the "LP" arrow is pointing toward the cap.



A. Access cap
B. Metal seal
C. Gas pressure regulator
D. Spring retainer in NAT position
E. Spring retainer in LP position

- Tighten the gas pressure regulator cap by using a large flat-blade screwdriver, turning the regulator cap clockwise.
- Test the gas pressure regulator and gas supply line.
The regulator must be checked at a minimum 1" (2.5 cm) water column above the set pressure. The inlet pressure to the regulator should be as follows for operation and checking the regulator setting:

Propane Gas:

Minimum pressure: 11" (27.9 cm) WCP
Maximum pressure: 14" (35.6 cm) WCP

Gas Supply Pressure Testing

Gas supply pressure for testing regulator must be at least 1" (2.5 cm) water column pressure above the manifold pressure shown on the model/serial/rating plate.

Line pressure testing above 1/2 psi (3.5 kPa) gauge (14" [35.6 cm] WCP)

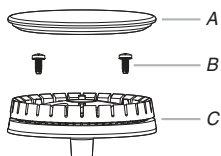
The range and its individual shut-off valve must be disconnected from the gas supply piping system during any pressure testing of that system at test pressures in excess of 1/2 psi (3.5 kPa).

Line pressure testing at 1/2 psi (3.5 kPa) gauge (14" [35.6 cm] WCP) or lower

The range must be isolated from the gas supply piping system by closing its individual manual shut-off valve during any pressure testing of the gas supply piping system at test pressures equal to or less than 1/2 psi (3.5 kPa).

To Convert Surface Burners from Natural Gas to Propane



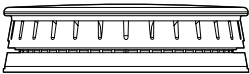
- If the burner grates are installed, remove them.
- Remove burner cap.
- Remove the burner base by first removing (2) T-20 screws.



Burner
A. Burner cap
B. Screws
C. Burner base

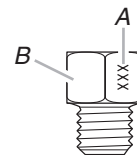
- Apply masking tape to the end of a 7 mm nut driver to help hold the gas orifice spud in the nut driver while changing it. Insert nut driver into the gas opening and press down onto the gas orifice spud and remove by turning the gas orifice spud counterclockwise and lifting out. Set gas orifice spud aside.
- Replace with correct Propane gas orifice spud. See the "Propane Gas Orifice Spud/Hood Chart."
Use the following chart to find the exact orifice spud placement.

Propane Gas Orifice Spud/Hood Chart

Burner Rating	Stamp	Size	Burner Style
4,000 BTUs	63	0.63 mm	Small burner 
12,000 BTUs	103	1.03 mm	Medium burner 
13,000 BTUs	99 50	0.99 mm 0.50 mm	Large burner – main Larger burner – simmer 

NOTE: Refer to serial tag for more information on burner ratings and locations.

Burner orifice spud



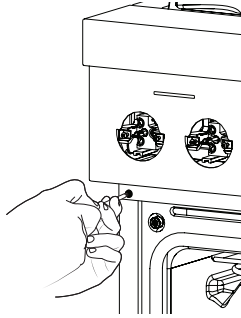
A. Size stamp
B. Fuel type stamp (L or N)

- Place Natural gas orifice in plastic parts bag for future use and keep with package containing literature.
NOTE: There may be extra orifices in your kit.
- Replace the burner base and screws. Tighten screws only until burner is snug to cooktop, do not over-tighten.
- Replace burner cap.
- Repeat steps 2 through 8 for the remaining burners.

Adjusting Simmer Low Setting on Surface Burners for Propane

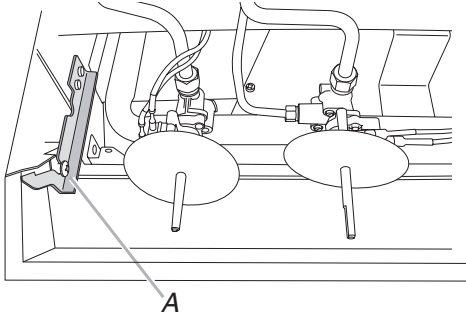
- Unplug range or disconnect power.
- Using the square bit screwdriver, remove the surface burner control knobs and bezels (Oven control knobs and griddle control knobs do not have to be removed).

- Open the oven door and remove the two screws on each side of the range that hold the control console in place.



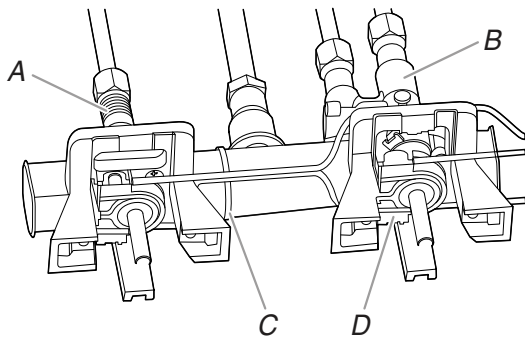
NOTE: Make sure to leave the door open or the control console will not rest in the side brackets properly once it is attached.

- Pull up on the control console and let it drop forward into the notched console brackets on each side.

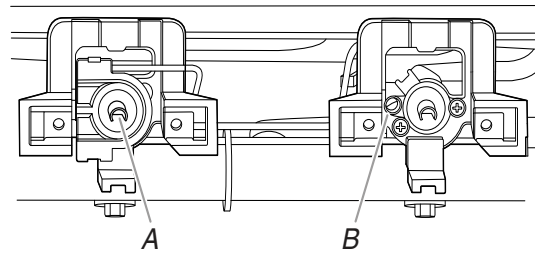


A. Control console bracket

- Locate the appropriate low-turndown screw for the appropriate burner on the given valve. The low-turndown screw for the left rear, right rear, center rear, and center front burner valves (aluminum) is located through the center of the valve stem. The low-turndown screw for the left front and right front burner valves (brass) is located behind the ignition switch on the valve body, left of the stem. To remove the ignition switch cut the wire tie and pull the switch off the valve stem.



- A. Aluminum Valve for Left Rear, Right Rear, Center Rear, and Center Front burners
- B. Brass Valve for Left Front and Right Front Dual burners
- C. Wire Tie
- D. Ignition switch



- A. Low-turndown adjustment screw for Aluminum Valve through center of stem
- B. Low-turndown adjustment screw for Brass Valve

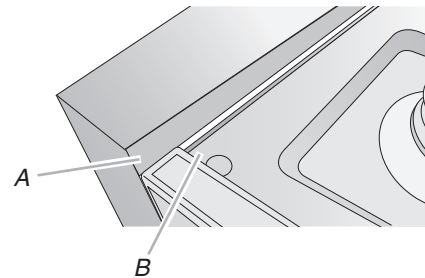
- With the burner ON (the burner will have to be lit manually with a lighter), and set to simmer LOW, adjust the simmer flame down to the proper BTU level. Using a 1/8" x 4 1/4" (3.2 mm x 108 mm) flat blade screwdriver, turn the simmer low-turndown adjustment screw clockwise until the flame height is at, or below, the bottom of the cap. If the flame becomes unstable and flickers or appears to race around the burner, the adjustment is too low and the screw should be adjusted counterclockwise until the flame is stable. Repeat this step for all surface burners.

NOTE: Use a knob to adjust the burner valve.

NOTE: Adjust each burner individually.

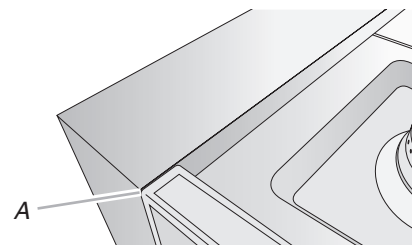
- After adjustments are completed, replace the ignition switches onto the valves.
- Lift up on the control console and set it back into place. For a proper fit, the flange of the control console must hook over the lip on the front of the range cooktop.

NOTE: It may be necessary to lift valve stems to align with console holes.



- A. Control console flange
- B. Front lip of range cooktop

- Check that the control console is flush with the top edge of the range.



A. Flush with range top

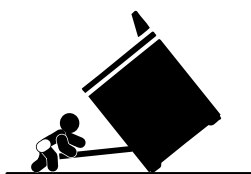
- Replace the screws on each side of the control console.
- Replace the bezels using the 2 screws which attach to the valve brackets, making note that there are front and rear bezels and will only attach properly in the correct location on the console.
- Push the Surface Knobs onto the valve stems.
- Replace the burner grates.

Complete Installation

1. Refer to the "Make Gas Connection" section for properly connecting the range to the gas supply.
2. Refer to the "Electronic Ignition System" section for proper burner ignition, operation, and burner flame adjustments.
IMPORTANT: You may have to adjust the "LO" setting for each range burner. Checking for proper range burner flame is very important. The small inner cone should have a very distinct blue flame 1/4" (6.4 mm) to 1/2" (1.3 cm) long. The outer cone is not as distinct as the inner cone. Propane gas flames have a slightly yellow tip.
3. Refer to "Complete Installation" in the "Installation Instructions" section of this manual to complete this procedure.

Natural Gas Conversion

WARNING



Tip Over Hazard

A child or adult can tip the range and be killed.

Install anti-tip bracket to floor or wall per installation instructions.

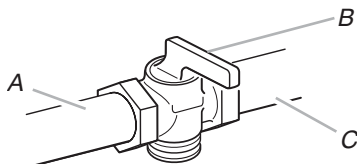
Slide range back so rear range foot is engaged in the slot of the anti-tip bracket.

Re-engage anti-tip bracket if range is moved.

Do not operate range without anti-tip bracket installed and engaged.

Failure to follow these instructions can result in death or serious burns to children and adults.

1. Turn the manual shut-off valve to the closed position.



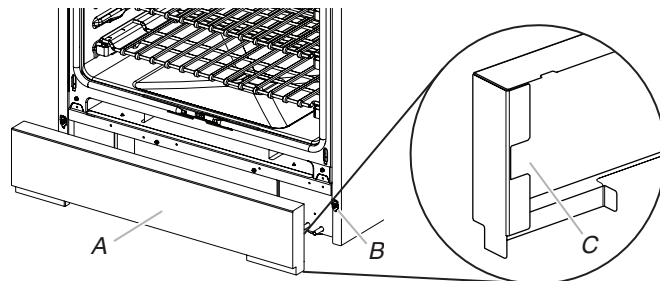
- A. To range
- B. Shut-off valve (closed position)
- C. Gas supply line

2. Unplug range or disconnect power.

To Convert Gas Pressure Regulator from Propane to Natural Gas

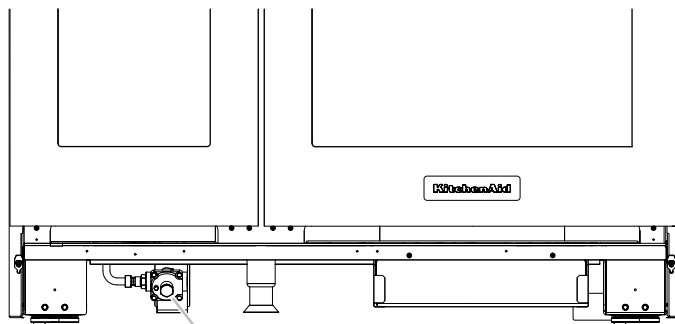
NOTE: Door must be removed in order to remove or replace kick plate. Refer to the "Remove Door" section.

1. Lift the kick plate up and off of the kick plate tab.



- A. Kick plate
- B. Kick plate tab
- C. Kick plate slot

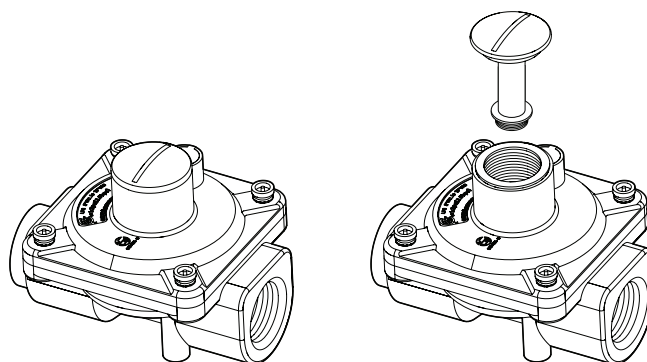
2. Gently lay kick plate aside to avoid scratching the stainless steel.
3. Locate the gas pressure regulator at the left rear of the range.



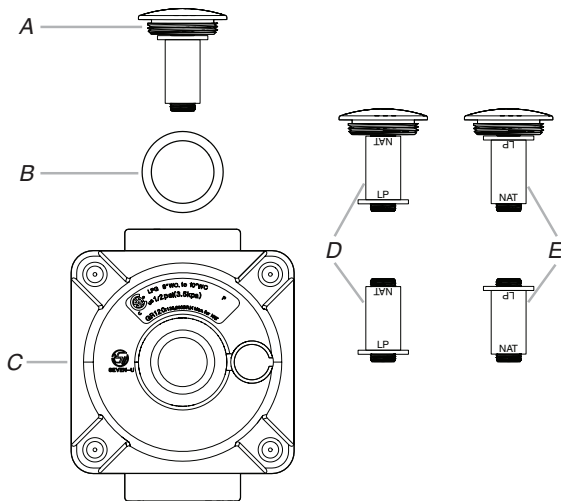
- A. Gas pressure regulator

4. Remove the gas pressure regulator cap by using a large flat-blade screwdriver, turning the regulator cap counterclockwise. When the cap is removed, do not lose the metal seal.

NOTE: Do not remove the spring beneath the cap.



- Remove spring retainer from the cap by turning the spring retainer counterclockwise. Locate the "LP" and "NAT" position on the spring retainer. Turn over the spring retainer so the "NAT" arrow is pointing toward the cap.



- A. Access cap
 B. Metal seal
 C. Gas pressure regulator
 D. Spring retainer in LP position
 E. Spring retainer in NAT position

- Tighten the gas pressure regulator cap by using a large flat-blade screwdriver, turning the regulator cap clockwise.
- Test the gas pressure regulator and gas supply line.
 The regulator must be checked at a minimum 1" (2.5 cm) water column above the set pressure. The inlet pressure to the regulator should be as follows for operation and checking the regulator setting:

Natural Gas:

Minimum pressure: 6" (15.2 cm) WCP
 Maximum pressure: 14" (35.6 cm) WCP

Gas Supply Pressure Testing

Gas supply pressure for testing regulator must be at least 1" (2.5 cm) water column pressure above the manifold pressure shown on the model/serial/rating plate.

Line pressure testing above 1/2 psi (3.5 kPa) gauge (14" [35.6 cm] WCP)

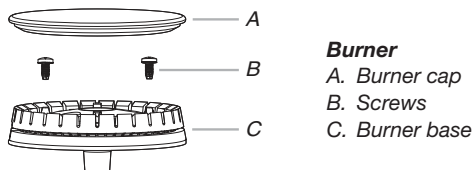
The range and its individual shut-off valve must be disconnected from the gas supply piping system during any pressure testing of that system at test pressures in excess of 1/2 psi (3.5 kPa).

Line pressure testing at 1/2 psi (3.5 kPa) gauge (14" [35.6 cm] WCP) or lower

The range must be isolated from the gas supply piping system by closing its individual manual shut-off valve during any pressure testing of the gas supply piping system at test pressures equal to or less than 1/2 psi (3.5 kPa).

To Convert Surface Burners from Propane to Natural Gas



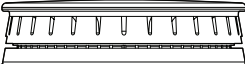
- If the burner grates are installed, remove them.
- Remove burner cap.
- Remove the burner base by first removing (2) T-20 screws.



- Burner**
 A. Burner cap
 B. Screws
 C. Burner base

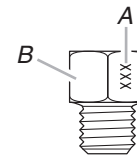
- Apply masking tape to the end of a 7 mm nut driver to help hold the gas orifice spud in the nut driver while changing it. Insert nut driver into the gas opening and press down onto the gas orifice spud and remove by turning the gas orifice spud counterclockwise and lifting out. Set gas orifice spud aside.
- Replace with correct Natural gas orifice spud. See the "Natural Gas Orifice Spud/Hood Chart".
 Use the following chart to find the exact orifice spud placement.

Natural Gas Orifice Spud/Hood Chart

Burner Rating	Stamp	Size	Burner Style
5,000 BTUs	99	0.99 mm	Small burner 
15,000 BTUs	175	1.75 mm	Medium burner 
20,000 BTUs	203 78	2.03 mm 0.78 mm	Large burner – main Large burner – simmer 

NOTE: Refer to serial tag for more information on burner ratings and locations.

Burner orifice spud



- A. Size stamp
 B. Fuel type stamp (L or N)

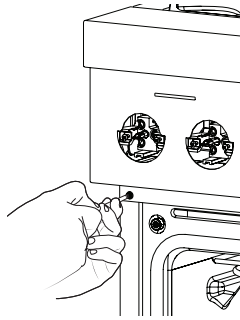
- Place Propane gas orifice spuds in plastic parts bag for future use and keep with package containing literature.
- Replace the burner base and screws. Tighten screws only until burner is snug to cooktop, do not over-tighten.
- Replace burner cap.
- Repeat steps 2 through 8 for the remaining burners.

Adjusting Simmer Low Setting on Surface Burners for Natural Gas

- Unplug range or disconnect power.
- Using the square bit screwdriver, remove the surface burner control knobs and bezels (Oven control knobs and griddle control knobs do not have to be removed).

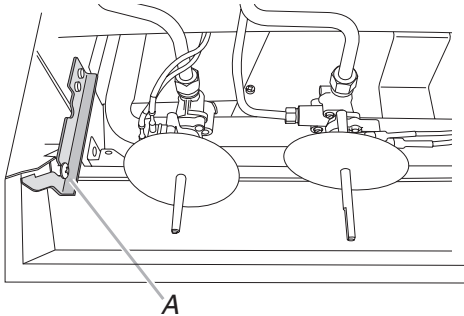


- Open the oven door and remove the two screws on each side of the range that hold the control console in place.



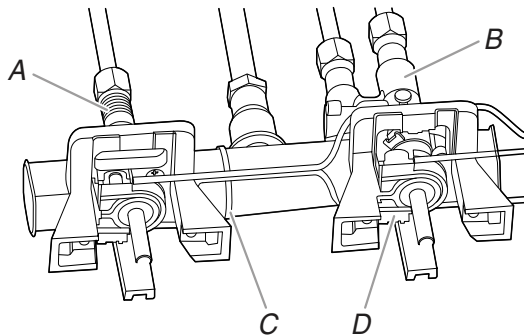
NOTE: Make sure to leave the door open or the control console will not rest in the side brackets properly once it is attached.

- Pull up on the control console and let it drop forward into the notched console brackets on each side.

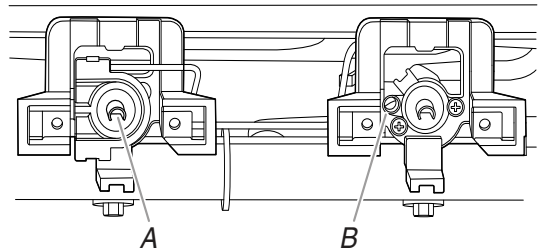


A. Control console bracket

- Locate the appropriate low-turn-down screw for the appropriate burner on the given valve. The low-turn-down screw for the left rear, right rear, center rear, and center front burner valves (aluminum) is located through the center of the valve stem. The low-turn-down screw for the left front and right front burner valves (brass) is located behind the ignition switch on the valve body, left of the stem. To remove the ignition switch cut the wire tie and pull the switch off the valve stem.



- A. Aluminum Valve for Left Rear, Right Rear, Center Rear, and Center Front burners
- B. Brass Valve for Left Front and Right Front Dual burners
- C. Wire Tie
- D. Ignition switch



- A. Low-turn-down adjustment screw for Aluminum Valve through center of stem
- B. Low-turn-down adjustment screw for Brass Valve

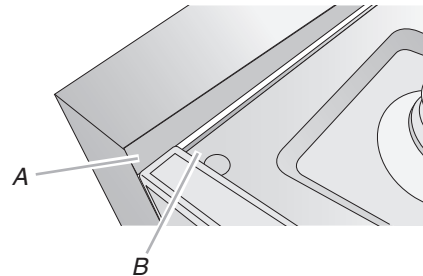
- With the burner ON (the burner will have to be lit manually with a lighter), and set to simmer LOW, adjust the simmer flame down to the proper BTU level. Using a 1/8" x 4 1/4" (3.2 mm x 108 mm) flat blade screwdriver, turn the simmer low-turn-down adjustment screw clockwise until the flame height is at, or below, the bottom of the cap. If the flame becomes unstable and flickers or appears to race around the burner, the adjustment is too low and the screw should be adjusted counterclockwise until the flame is stable. Repeat this step for all surface burners.

NOTE: Use a knob to adjust the burner valve.

NOTE: Adjust each burner individually.

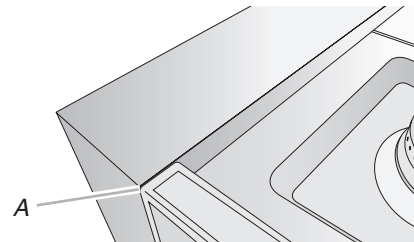
- After adjustments are completed, replace the ignition switches onto the valves.
- Lift up on the control console and set it back into place. For a proper fit, the flange of the control console must hook over the lip on the front of the range cooktop.

NOTE: It may be necessary to lift valve stems to align with console holes.



- A. Control console flange
- B. Front lip of range cooktop

- Check that the control console is flush with the top edge of the range.



A. Flush with range top

- Replace the screws on each side of the control console.
- Replace the bezels using the 2 screws which attach to the valve brackets, making note that there are front and rear bezels and will only attach properly in the correct location on the console.
- Push the Surface Knobs onto the valve stems.
- Replace the burner grates.

Complete Installation

1. Refer to the “Make Gas Connection” section for properly connecting the range to the gas supply.
2. Refer to the “Electronic Ignition System” section for proper burner ignition, operation, and burner flame adjustments.

IMPORTANT: You may have to adjust the “LO” setting for each range burner.

Checking for proper range burner flame is very important. The small inner cone should have a very distinct blue flame 1/4" (6.4 mm) to 1/2" (1.3 cm) long. The outer cone is not as distinct as the inner cone. Propane gas flames have a slightly yellow tip.

3. Refer to “Complete Installation” in the “Installation Instructions” section of this manual to complete this procedure.

SÉCURITÉ DE LA CUISINIÈRE

Votre sécurité et celle des autres est très importante.

Nous donnons de nombreux messages de sécurité importants dans ce manuel et sur votre appareil ménager. Assurez-vous de toujours lire tous les messages de sécurité et de vous y conformer.



Voici le symbole d'alerte de sécurité.

Ce symbole d'alerte de sécurité vous signale les dangers potentiels de décès et de blessures graves à vous et à d'autres.

Tous les messages de sécurité suivront le symbole d'alerte de sécurité et le mot "DANGER" ou "AVERTISSEMENT". Ces mots signifient :

⚠ DANGER

Risque possible de décès ou de blessure grave si vous ne suivez pas immédiatement les instructions.

⚠ AVERTISSEMENT

Risque possible de décès ou de blessure grave si vous ne suivez pas les instructions.

Tous les messages de sécurité vous diront quel est le danger potentiel et vous disent comment réduire le risque de blessure et ce qui peut se produire en cas de non-respect des instructions.

AVERTISSEMENT : Si les renseignements dans ces instructions ne sont pas exactement observés, un incendie ou une explosion peut survenir, causant des dommages au produit, des blessures ou un décès.

- Ne pas entreposer ni utiliser de l'essence ou d'autres vapeurs ou liquides inflammables à proximité de cet appareil ou de tout autre appareil électroménager.
- **QUE FAIRE DANS LE CAS D'UNE ODEUR DE GAZ :**
 - Ne pas tenter d'allumer un appareil.
 - Ne pas toucher à un commutateur électrique.
 - Ne pas utiliser le téléphone se trouvant sur les lieux.
 - Appeler immédiatement le fournisseur de gaz à partir du téléphone d'un voisin. Suivre ses instructions.
 - À défaut de joindre votre fournisseur de gaz, appeler les pompiers.
- L'installation et l'entretien doivent être effectués par un installateur qualifié, une agence de service ou le fournisseur de gaz.

⚠ ATTENTION :

Ne faites jamais fonctionner la surface de cuisson, sur le dessus de cet appareil, sans surveillance.

- Le non-respect de cette mise en garde pourrait entraîner un incendie, une explosion ou un risque de brûlure et ainsi causer des dommages matériels, des blessures ou la mort.
- Si l'appareil prend feu, tenez-vous à l'écart et appelez immédiatement votre service des incendies.

NE TENTEZ JAMAIS D'ÉTEINDRE UN FEU DE GRAISSE OU D'HUILE EN L'ASPERGEANT D'EAU.

AVERTISSEMENT : L'odorat ne permet pas toujours la détection d'une fuite de gaz.

Les distributeurs de gaz recommandent l'emploi d'un détecteur de gaz (homologation UL ou CSA).

Pour d'autres informations, contacter le fournisseur de gaz local.

En cas de détection d'une fuite de gaz, exécuter les instructions "Que faire dans le cas d'une odeur de gaz".

IMPORTANT : Ne pas installer un système de ventilation avec évacuation de l'air vers le bas, qui évacuerait l'air vers cet appareil de cuisson à gaz. Ce type de système de ventilation peut causer des problèmes d'allumage et de combustion avec cet appareil de cuisson à gaz et entraîner des blessures corporelles ou le fonctionnement non désiré de cet appareil.

Dans l'État du Massachusetts, les instructions d'installation suivantes sont applicables :

- Les travaux d'installation et réparation doivent être exécutés par un plombier ou tuyauteur qualifié ou licencié, ou par le personnel qualifié d'une entreprise licenciée par l'État du Massachusetts.
- Remplacer par des dispositifs de fermeture acceptables : Les robinets de gaz et robinets à bille installés pour l'utilisation devraient être indiqués.
- Si un conduit de raccordement flexible est utilisé, sa longueur ne doit pas dépasser 4 pi (121,9 cm).

AVERTISSEMENT

Risque de basculement

Un enfant ou une personne adulte peut faire basculer la cuisinière, ce qui peut causer un décès.

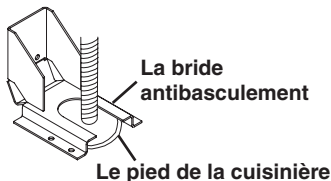
Fixer la bride antibasculement au plancher ou au mur, conformément aux instructions d'installation.

Faire glisser de nouveau la cuisinière de façon à ce que le pied arrière de la cuisinière se trouve dans la fente de la bride antibasculement.

Réengager la bride antibasculement si la cuisinière a été déplacée.

Ne pas faire fonctionner la cuisinière si la bride antibasculement n'est pas installée et engagée.

Le non-respect de ces instructions peut causer un décès ou des brûlures graves aux enfants et aux adultes.



Pour vérifier que la bride antibasculement est bien installée et engagée:

- Faire glisser la cuisinière vers l'avant.
- Vérifier que la bride antibasculement est bien fixée au plancher ou au mur.
- Faire de nouveau glisser la cuisinière vers l'arrière de sorte que le pied de la cuisinière se trouve sous la bride antibasculement.
- Voir les instructions d'installation pour plus de détails.

EXIGENCES D'INSTALLATION

Outils et pièces

Rassembler les outils et pièces nécessaires avant d'entreprendre l'installation. Lire et observer les instructions fournies avec chacun des outils de la liste ci-dessous.

Outils nécessaires



Clé à tuyauterie



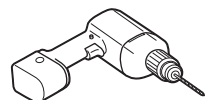
Clé à molette ou clé de 5/8 po (16 mm)



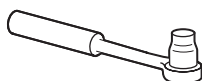
Tournevis à tête plate de 1/8 po x 4 1/4 po (3 mm x 100 mm)



Tournevis cruciforme no 2



Perceuse



Clé à cliquet de 3/8 po (9,5 mm)



Clé mixte de 15/16 po (24 mm)



Pince



Niveau



Coupe-tube



Tourne-écrou de 1/4 po (6,4 mm), 3/8 po (9,5 mm) et 5/16 po (7,9 mm)



Marqueur ou crayon



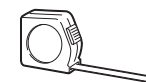
Foret de maçonnerie à pointe carburée de 3/16 po (4,8 mm)



Composé d'étanchéité des raccords filetés résistant au gaz propane



Solution non corrosive de détection des fuites

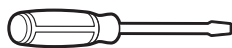


Ruban à mesurer



Foret de 1/8 po (3,2 mm)

Pour les conversions gaz propane/naturel



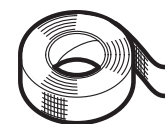
Grand tournevis à lame plate



Clé à molette



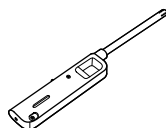
Tourne-écrou de 7 mm



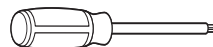
Ruban adhésif de masquage



Clé ouverte de 1/2 po (1,3 cm)



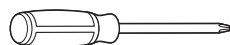
Briquet



Tournevis Torx® T-20†



Tournevis carré no 1



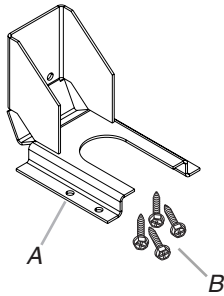
Tournevis cruciforme no 2

†® TORX et T20 sont des marques déposées de Acument Intellectual Properties, LLC.

Pièces fournies

Vérifier que toutes les pièces sont présentes.

- Trousse de bride antibasculement



A. Bride antibasculement

B. (4) vis à tête cruciforme no 8-18 x 1 po (2,5 cm)

REMARQUE : La bride antibasculement doit être solidement fixée au sous-plancher. La profondeur du plancher peut nécessiter des vis plus longues pour l'ancrage de la bride dans le sous-plancher. Des vis plus longues sont offertes chez votre quincaillerie locale. Voir la section « Installation de la bride antibasculement ».

- Grilles de brûleur
- Chapeaux de brûleur
- Plateau d'égouttement de la plaque à frire (sur modèles avec plaque à frire)

Pièces nécessaires

- Tous les modèles doivent être installés avec un dossieret si l'installation se fait sans dégagement entre l'appareil et une paroi arrière combustible comme un mur en gypse. Voir « Dimensions de l'armoire » à la section « Exigences d'emplacement » pour les spécifications concernant l'installation.

Vérifier les codes locaux et consulter le fournisseur de gaz. Vérifier l'alimentation en gaz et l'alimentation électrique existantes. Voir les sections « Spécifications électriques » et « Spécifications de l'alimentation en gaz ».

Il est recommandé de faire réaliser tous les raccordements électriques par un électricien qualifié agréé.

Exigences d'emplacement

IMPORTANT : Observer les dispositions de tous les codes et règlements en vigueur. Ne pas obstruer le flux de combustion et de ventilation.

- C'est à l'installateur qu'incombe la responsabilité de respecter les distances de séparation spécifiées sur la plaque signalétique. La plaque signalétique se trouve sous la console, du côté droit.
- Il est recommandé qu'une hotte de cuisinière de 585 CFM (993,9 m³/h) ou plus soit installée au-dessus de la cuisinière.
- Suivre les instructions d'installation de la hotte de cuisinière ou de l'ensemble hotte/micro-ondes pour les dimensions de dégagement à respecter au-dessus de la surface de la table de cuisson.
- Dans le cas d'une cuisinière encastrée, l'enceinte doit recouvrir complètement les côtés et l'arrière de la cuisinière.
- Toutes les ouvertures dans le mur ou le plancher de l'emplacement d'installation de la cuisinière doivent être scellées.
- Ne pas réaliser de scellement entre la cuisinière et les armoires latérales.
- Respecter les dimensions indiquées pour les ouvertures à découper dans les meubles. Ces dimensions constituent les valeurs minimums des dégagements.

- La bride antibasculement doit être installée. Pour l'installation de la bride antibasculement fournie avec la cuisinière, voir la section « Installation de la bride antibasculement ».
- Une source d'électricité avec liaison à la terre est nécessaire. Voir la section « Spécifications électriques ».
- Un raccordement adéquat à l'alimentation en gaz doit être disponible. Voir la section « Spécifications de l'alimentation en gaz ».
- Contacter un installateur de revêtement de sol qualifié, qui pourra déterminer si le revêtement de sol peut résister à une température d'au moins 200 °F (93 °C). Dans le cas de l'installation de la cuisinière par-dessus un tapis, placer sous la cuisinière une plaque d'appui isolée, ou une plaque de contreplaqué de 1/4 po (6,4 mm).

IMPORTANT : Pour éviter d'endommager les armoires, consulter le constructeur de la maison ou le fabricant des armoires pour déterminer si les matériaux utilisés peuvent subir un changement de couleur, une déstratification ou d'autres dommages. Ce four a été conçu conformément aux exigences des normes UL et CSA International et respecte la température maximale permise de 194 °F (90 °C) pour les armoires en bois.

Résidence mobile – Spécifications additionnelles à respecter lors de l'installation

L'installation de cette cuisinière doit s'effectuer conformément à la norme Manufactured Home Construction Safety Standards, Title 24 CFR, Part 3280 (anciennement Federal Standard for Mobile Home Construction and Safety, title 24, HUD, Part 280). Lorsque cette norme n'est pas applicable, utiliser la norme Standard for Manufactured Home Installations, ANSI A225.1/NFPA 501A ou les dispositions des codes locaux.

Au Canada, l'installation de cette cuisinière doit respecter la plus récente version des normes CAN/CSA-A240 ou les dispositions des codes locaux.

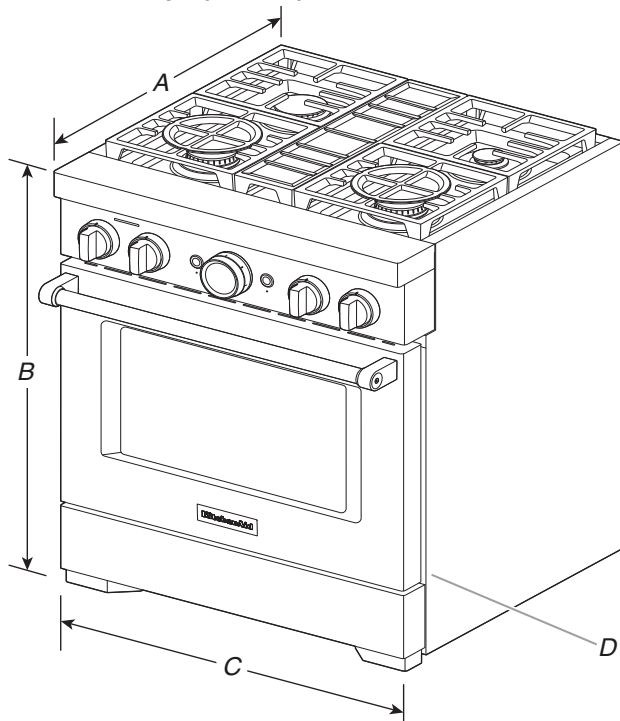
Autres critères à respecter pour une installation en résidence mobile :

- Dans le cas de l'installation de cette cuisinière dans une résidence mobile, la cuisinière doit être fixée au plancher durant tout déplacement du véhicule. Toute méthode de fixation de la cuisinière est adéquate dans la mesure où elle satisfait aux critères des normes mentionnées ci-dessus.
- L'installation des appareils conçus pour les parcs de véhicules récréatifs doit respecter les codes de l'État/la province, d'autres codes, en l'absence de ces premiers, ou la norme ANSI A119.5 pour les parcs de véhicules récréatifs.

Dimensions du produit

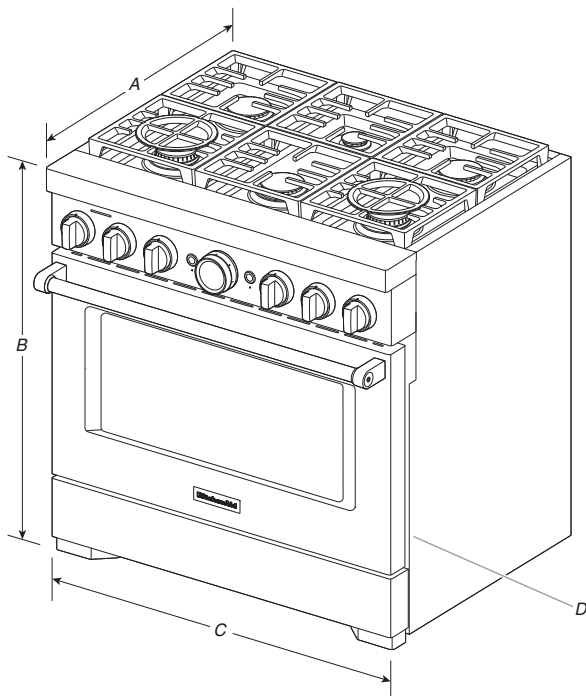
REMARQUE : Les caractéristiques de la table de cuisson peuvent varier.

Modèles de 30 po (76,2 cm)



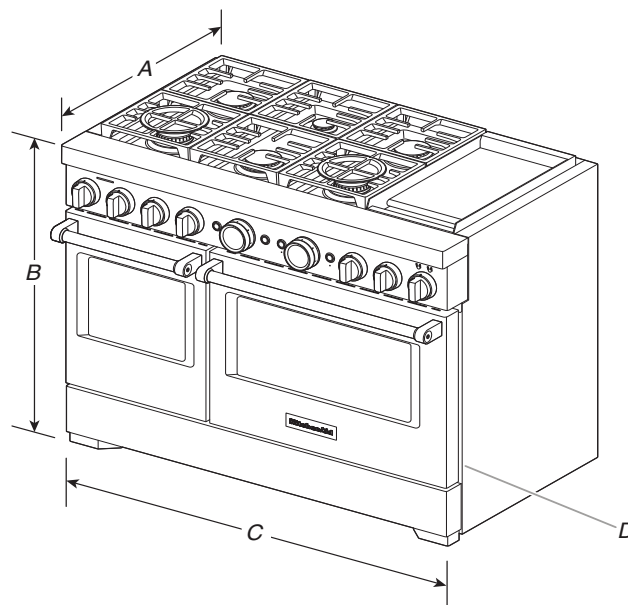
- A. Profondeur avec le tableau de commande : 27 ³/₄ po (70,5 cm) (voir REMARQUE)
- B. Hauteur de la cuisinière lorsqu'elle est appuyée sur les roulettes : 36 po (91,4 cm)
- C. Largeur : 29 ⁷/₈ po (75,7 cm)
- D. Plaque signalétique (située sur le panneau avant latéral)

Modèles de 36 po (91,4 cm)



- A. Profondeur avec le tableau de commande : 27 ³/₄ po (70,5 cm) (voir REMARQUE)
- B. Hauteur de la cuisinière lorsqu'elle est appuyée sur les roulettes : 36 po (91,4 cm)
- C. Largeur : 35 ⁷/₈ po (91,1 cm)
- D. Plaque signalétique (située sur le panneau avant latéral)

Modèles de 48 po (121,9 cm)



- A. Profondeur avec le tableau de commande : 27 ³/₄ po (70,5 cm) (voir REMARQUE)
- B. Hauteur de la cuisinière lorsqu'elle est appuyée sur les roulettes : 36 po (91,4 cm)
- C. Largeur : 47 ⁷/₈ po (121,6 cm)
- D. Plaque signalétique (située sur le panneau avant latéral)

REMARQUE : Dans le cas d'une installation entre des armoires de 24 po (61,0 cm) avec plan de travail de 25 po (63,5 cm), l'avant de la porte du four sera en saillie de 3 po (7,6 cm) au-delà de la façade des armoires de 24 po (61,0 cm).

Spécifications de l'armoire

Les dimensions de l'espace entre les armoires correspondent à une installation entre des armoires de 24 po (61,0 cm) de profondeur, avec plan de travail de 25 po (64,0 cm) de profondeur et de 36 po (91,4 cm) de hauteur. Les dimensions doivent être respectées pour que les éléments soient en affleurement avec la paroi arrière.

IMPORTANT : Si une hotte, une caisse de hotte ou un ensemble hotte/four à micro-ondes est installé au-dessus de la surface de cuisson, suivre les instructions d'installation de la hotte ou de l'ensemble hotte/four à micro-ondes pour obtenir les dimensions de dégagement à conserver au-dessus de la surface de cuisson.

Spécifications électriques : É.-U. seulement

Si les codes le permettent et qu'un fil de mise à la terre séparé est utilisé, nous recommandons qu'un électricien qualifié détermine si le trajet du fil et son calibre respectent les codes locaux.

Si les codes le permettent et si on utilise un conducteur distinct de liaison à la terre, il est recommandé qu'un électricien qualifié vérifie la qualité de la liaison à la terre.

Ne pas utiliser de rallonge.

S'assurer que le raccordement électrique est adéquat et conforme au code national de l'électricité, ANSI/NFPA 70 – dernière édition, et à tous les codes et règlements locaux en vigueur.

Pour obtenir un exemplaire des normes des codes ci-dessus, contacter :

National Fire Protection Association
1 Batterymarch Park
Quincy, MA 02169-7471

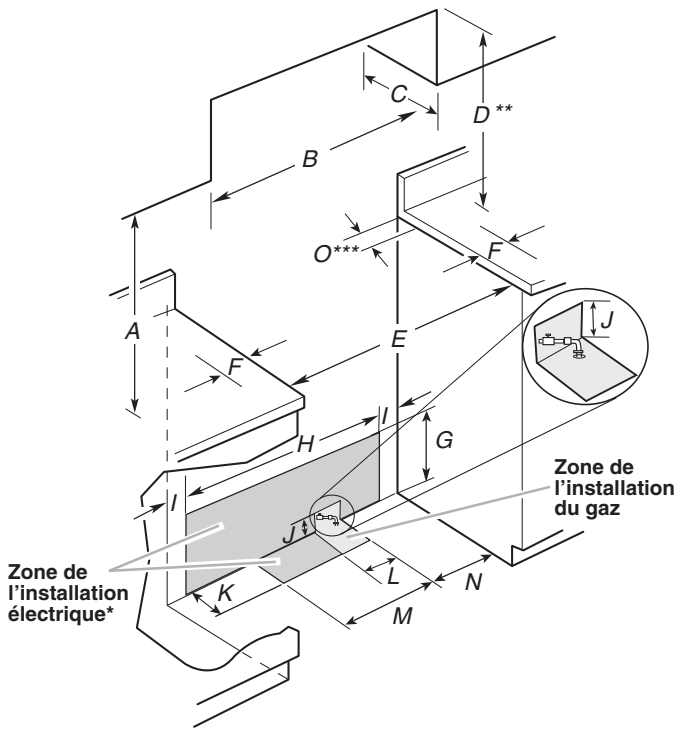
AVERTISSEMENT : Un raccordement inapproprié du conducteur de mise à la terre de l'équipement peut causer un risque de décharge électrique. Vérifier avec un électricien ou un technicien de dépannage qualifié en cas de doute quant à la qualité de la liaison à la terre de l'appareil. Ne pas modifier la prise du cordon d'alimentation. Si elle ne correspond pas à la prise de sortie, faire installer une fiche appropriée par un électricien qualifié.

Raccordement électrique

Pour installer la cuisinière de façon appropriée, il faut établir le type de raccords électriques qui sera utilisé et suivre les instructions de ce document.

- La cuisinière doit être alimentée par une source d'électricité et une tension appropriées, comme spécifié sur la plaque signalétique. La plaque signalétique se trouve sous la console, du côté droit. Consulter les images du point « Dimensions du produit » de la section « Exigences d'emplacement ».
- Cette cuisinière est fabriquée avec un cordon d'alimentation à 4 conducteurs.
- Un élément de protection contre les surintensités comme un disjoncteur ou un fusible du bon type est requis.
- Le calibre des câbles et des raccordements doit être conforme à la puissance nominale de la cuisinière.
- Lorsqu'on dispose d'une alimentation électrique monophasée à 4 conducteurs de 240 V CA, 60 Hz uniquement, une protection de circuit de 40 A minimum est requise pour les cuisinières de 30 po (76,2 cm) et 36 po (91,4 cm), et une protection de circuit de 50 A minimum est requise pour les cuisinières de 48 po (121,9 cm); dans chaque cas, la protection de circuit doit être protégée par fusible aux deux extrémités de la ligne.

REMARQUE : Si votre maison n'est pas munie d'un système électrique à 4 fils, consultez un électricien qualifié.



- A. Espace entre l'armoire supérieure et le comptoir : 18 po (45,7 cm)
 B. Modèle de 30 po (76,2 cm) : Largeur minimale de l'armoire supérieure de 30 po (76,2 cm)
 Modèle de 36 po (91,4 cm) : Largeur minimale de l'armoire supérieure de 36 po (91,4 cm)
 Modèle de 48 po (121,9 cm) : Largeur minimale de l'armoire supérieure de 48 po (121,9 cm)
 C. Profondeur maximale des armoires supérieures de 13 po (33 cm)
 D. Pour la distance libre minimale vers la partie supérieure de la cuisinière.**
 E. 30 po (76,2 cm) sur les modèles de 30 po (76,2 cm); 36 po (91,4 cm) sur les modèles de 36 po (91,4 cm); 48 po (121,9 cm) sur les modèles de 48 po (121,9 cm)
 F. Dégagement minimal de 12 po (30,4 cm) entre l'un ou l'autre côté de la cuisinière et la paroi latérale ou d'autres matériaux combustibles
 G. 15 po (38,1 cm)
 H. 22 po (55,9 cm) sur les modèles de 30 po (76,2 cm); 28 po (71,1 cm) sur les modèles de 36 po (91,4 cm); 40 po (101,6 cm) sur les modèles de 48 po (121,9 cm)
 I. 4 po (10,1 cm)
 J. 3 po (7,6 cm)
 K. 5 po (12,7 cm)
 L. 6 po (15,2 cm) sur les modèles de 30 po (76,2 cm); 12 po (30,5 cm) sur les modèles de 36 po (91,4 cm); 24 po (61,0 cm) sur les modèles de 48 po (121,9 cm)
 M. 10 1/2 po (26,7 cm)
 N. 9 po (22,9 cm)
 O. 6 po (15,2 cm)***

** Si aucune ventilation n'est utilisée, Dégagements minimums

Modèles de 30 po (76,2 cm) : Distance de séparation minimale de 42 po (106,7 cm) ou plus entre le dessus de la table de cuisson et le dessous d'une surface combustible.

Modèles de 36 po (91,4 cm) : Distance de séparation minimale de 42 po (106,7 cm) ou plus entre le dessus de la table de cuisson et le dessous d'une surface combustible.

Modèles de 48 po (121,9 cm) : Distance de séparation minimale de 48 po (121,9 cm) ou plus entre le dessus de la table de cuisson et le dessous d'une surface combustible.

***Si la surface de la paroi arrière est fabriquée d'un matériau combustible et qu'aucun dossier n'est installé, un dégagement minimal de 6 po (15,2 cm) est nécessaire pour tous les modèles.

Spécifications électriques : Canada seulement

AVERTISSEMENT



Risque de choc électrique

Relier la cuisinière à la terre.

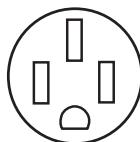
Le non-respect de cette instruction peut causer un décès, un incendie ou un choc électrique.

Vérifier que le raccordement à la source d'électricité et le calibre des conducteurs sont conformes aux prescriptions de la plus récente édition de la norme CSA C22.1, partie 1 – Code canadien de l'électricité, et de tout code ou règlement local en vigueur.

Pour obtenir un exemplaire des normes des codes ci-dessus, contacter :

Canadian Standards Association
178 Rexdale Blvd.
Toronto, ON M9W 1R3 CANADA

- En cas de doute quant à la qualité de la liaison à la terre de la cuisinière, consulter un électricien qualifié.
- Lorsqu'on dispose d'une alimentation électrique monophasée à 4 conducteurs de 250 V CA, 60 Hz uniquement, une protection de circuit de 40 A minimum est requise pour les cuisinières de 30 po (76,2 cm) et 36 po (91,4 cm), et une protection de circuit de 50 A minimum est requise pour les cuisinières de 48 po (121,9 cm); dans chaque cas, la protection de circuit doit être protégée par fusible aux deux extrémités de la ligne.
- On recommande d'utiliser un fusible ou un disjoncteur temporisé.
- Cette cuisinière est équipée d'un cordon électrique homologué par la CSA International à brancher dans une prise murale standard 14-50R. Veiller à ce que la prise murale se trouve à proximité de l'emplacement définitif de la cuisinière.



- Ne pas utiliser de rallonge.

Spécifications de l'alimentation en gaz

AVERTISSEMENT



Risque d'explosion

Utiliser une canalisation neuve d'arrivée de gaz approuvée par la CSA International.

Installer un robinet d'arrêt.

Bien serrer chaque organe de connexion de la canalisation de gaz.

En cas de connexion au gaz propane, demander à une personne qualifiée de s'assurer que la pression de gaz ne dépasse pas 36 cm (14 po) de la colonne d'eau.

Par personne qualifiée, on comprend :

**le personnel autorisé de chauffage,
le personnel autorisé d'une compagnie de gaz, et
le personnel d'entretien autorisé.**

Le non-respect de ces instructions peut causer un décès, une explosion ou un incendie.

Observer les dispositions de tous les codes et règlements en vigueur.

IMPORTANT : Cette installation doit être effectuée conformément avec les codes et règlements locaux. En l'absence de codes locaux, l'installation doit être effectuée en conformité avec l'édition la plus récente du American National Standard, National Fuel Gas Code ANSI Z223.1/NFPA 54 ou l'édition la plus récente du au Canada, le Code sur l'installation du gaz naturel et du propane, CSA B149.1.

IMPORTANT : La cuisinière doit être raccordée à une source d'alimentation en gaz régulée.

IMPORTANT : Les tests de fuite de la cuisinière doivent être effectués selon les instructions du fabricant.

Type de gaz

Gaz naturel :

Cette cuisinière a été configurée à l'usine pour l'alimentation au gaz naturel. La plaque signalétique située sous la console, du côté droit, contient des informations sur les types de gaz utilisables. Si le type de gaz disponible n'est pas mentionné sur la plaque signalétique, consulter le fournisseur local.

Conversion pour l'alimentation au propane :

L'opération de conversion doit être exécutée par un technicien de réparation qualifié.

Ne pas entreprendre de convertir la cuisinière pour une utilisation avec un gaz différent de celui indiqué sur la plaque signalétique sans d'abord consulter le fournisseur de gaz. Pour la conversion au gaz propane, utiliser la trousse de conversion au gaz propane fournie avec la cuisinière et voir la section « Conversions pour changement de gaz ». Les pièces pour cette trousse se trouvent dans le sachet contenant la documentation fournie avec la cuisinière.

Canalisation d'alimentation en gaz

- Installer une canalisation de gaz rigide de 3/4 po (1,9 cm) jusqu'à l'emplacement d'installation de la cuisinière. L'emploi d'une canalisation de diamètre inférieur sur un circuit plus long peut causer une insuffisance du débit d'alimentation en gaz. Pour l'alimentation au propane, le diamètre des canalisations ou tuyaux doit être de 1/2 po (1,3 cm) minimum. En général, le fournisseur de gaz propane détermine les matériaux à utiliser et le diamètre approprié.

REMARQUE : On doit utiliser un composé d'étanchéité pour tuyauteries résistant à l'action du gaz propane. Ne pas utiliser de ruban TEFLON[†].

Raccord métallique flexible :

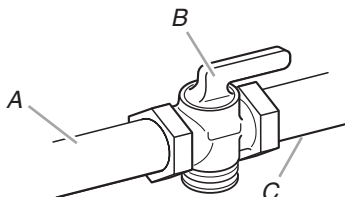
- Si le code local le permet, on peut utiliser un raccord métallique flexible neuf (homologation CSA) de 4 à 5 pi (122 à 152 cm) de longueur, diamètre interne 5/8 po (1,6 cm) ou 3/4 po (1,9 cm), pour raccorder la cuisinière à la canalisation de gaz.



- Un raccord de tuyauterie mâle de 1/2 po (1,3 cm) est nécessaire pour la connexion sur le raccord à filetage femelle à l'entrée du détendeur de l'appareil.
- Ne pas plier ou endommager le tuyau de métal flexible lors du déplacement de la cuisinière.

IMPORTANT : Tous les raccords doivent être bien serrés à l'aide d'une clé. Ne pas serrer excessivement la connexion sur le détendeur. Un serrage excessif pourrait provoquer une fissuration du détendeur et une fuite de gaz. Lors du serrage des raccords, empêcher le détendeur de tourner ou de bouger.

- Robinet d'arrêt nécessaire : Procéder à l'installation d'une vanne de fermeture manuelle pour la conduite de gaz dans un endroit facile d'accès. Ne pas entraver l'accès au robinet d'arrêt manuel. Le robinet permet d'ouvrir ou de fermer l'alimentation en gaz de la cuisinière.



- A. Canalisation de gaz
- B. Robinet d'arrêt en position ouverte
- C. Vers la cuisinière

Détendeur

Le détendeur fourni avec cette cuisinière doit être utilisé. La pression d'alimentation du détendeur doit respecter les indications suivantes pour obtenir un fonctionnement correct :

Gaz naturel :

Pression minimale : 5 po (12,7 cm) de colonne d'eau
Pression maximale : 14 po (35,6 cm) de colonne d'eau

Gaz propane :

Pression minimale : 10 po (25,4 cm) de colonne d'eau
Pression maximale : 14 po (35,6 cm) de colonne d'eau

En cas d'incertitude quant à la pression d'alimentation à établir, contacter le fournisseur de gaz local.

Débit thermique des brûleurs – Altitude

Les débits thermiques indiqués sur la plaque signalétique correspondent à une altitude d'utilisation inférieure à 2000 pi (609,6 m).

Lorsque l'appareil est utilisé à une altitude supérieure à 2 000 pi (609,6 m), on doit réduire le débit thermique indiqué de 4 % pour chaque tranche de 1 000 pi (304,8 m) au-dessus du niveau de la mer (non applicable au Canada).

Essai de pression de la canalisation de gaz

On doit tester le détendeur sous une pression supérieure d'au moins 1 po (2,5 cm) à la pression de la tubulure de distribution indiquée sur la plaque signalétique.

Mise sous pression à une pression supérieure à 1/2 lb/po² (3,5 kPa) (14 po [35,6 cm] de colonne d'eau)

Lors de tout test de mise sous pression de ce système à une pression supérieure à 1/2 lb/po² (3,5 kPa), on doit déconnecter la cuisinière et son robinet d'arrêt individuel de la canalisation de gaz.

Mise sous pression à une pression de 1/2 lb/po² (3,5 kPa) (14 po [35,6 cm] de colonne d'eau) ou moins

Lors de tout test de mise sous pression de la canalisation de gaz à une pression égale ou inférieure à 1/2 lb/po² (3,5 kPa), on doit isoler la cuisinière de la canalisation de gaz par fermeture de son robinet d'arrêt manuel individuel.

[†] TEFLON est une marque déposée de Chemours.

INSTRUCTIONS D'INSTALLATION

Déballage de la cuisinière

⚠ AVERTISSEMENT

Risque du poids excessif

Utiliser deux ou plus de personnes pour déplacer et installer la cuisinière.

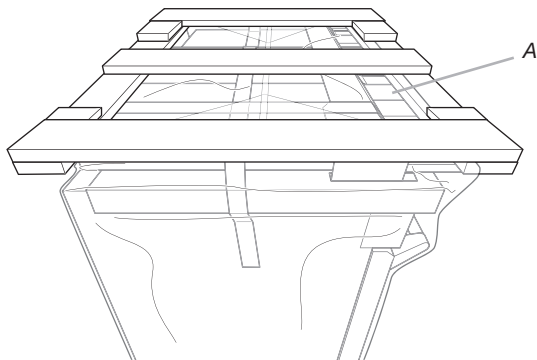
Le non-respect de cette instruction peut causer une blessure au dos ou d'autre blessure.

Ôter les matériaux d'emballage, le ruban adhésif et la pellicule protectrice de la cuisinière. Maintenir la palette d'expédition sous la cuisinière. Retirer les grilles de four et le sachet de pièces de l'intérieur du four. Retirer les grilles du dessus du four.

Retirer la plinthe

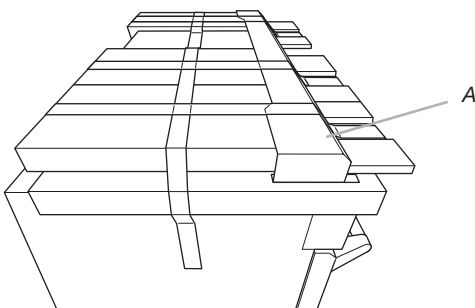
1. La plinthe de votre cuisinière est emballée sur le dessus de l'appareil.
 - a. Enlever la plinthe du dessus de la cuisinière et de l'emballage.

À l'intérieur de l'emballage



A. Plinthe

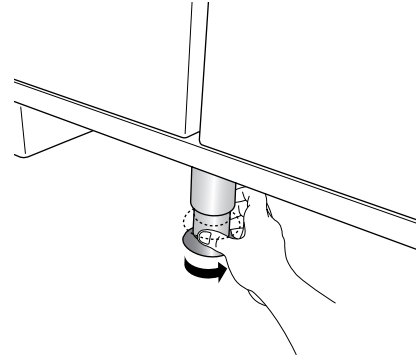
Emballage enlevé



A. Plinthe

- b. Placer la plinthe de côté pour éviter les rayures.

2. Pour les modèles de 48 po (121,9 cm) uniquement, faire pivoter le support central dans le sens antihoraire pour le dégager de la palette jusqu'à la butée.



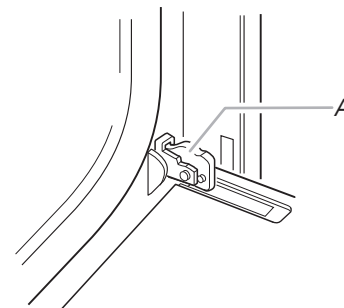
REMARQUE : Ce support est utilisé uniquement pour l'expédition et n'est pas nécessaire à l'installation.

3. Disposer un morceau de carton provenant de l'emballage sur le plancher derrière la cuisinière. À deux personnes ou plus, saisir fermement chaque côté de la cuisinière. Soulever la cuisinière d'environ 3 po (8,0 cm) et la déplacer vers l'arrière jusqu'à la faire descendre de la palette d'expédition. Installer la cuisinière sur le carton pour éviter d'endommager le plancher.

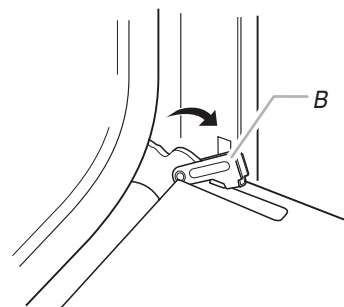
Retirer la porte

Retrait des portes

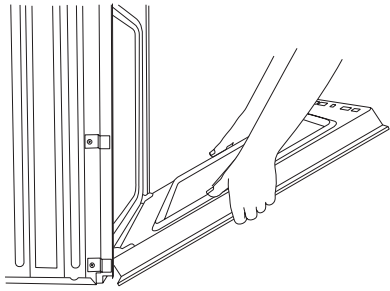
- Ne pas retirer les cales d'espacement latérales de porte avant que la cuisinière ne soit prête pour l'installation. Si on retire les cales d'espacement de la porte, celle-ci pourrait se déplacer et endommager le loquet de porte.
- Ne pas soulever ou déplacer la cuisinière par les poignées de la porte ou le panneau de commande.
- Avant d'installer la cuisinière, vous devrez retirer les portes du four. Préparer une surface où l'on pourra déposer les portes. Cette surface doit être plate et recouverte d'une couverture douce. On peut aussi utiliser les cornières de l'emballage.



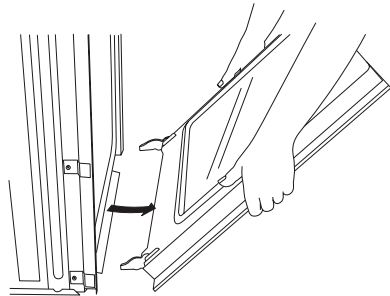
A. Charnière de la porte du four en position de verrouillage



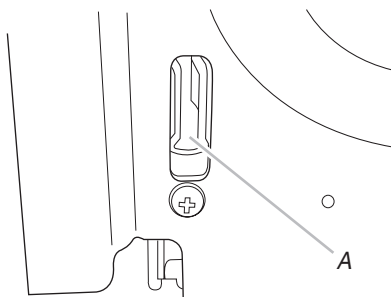
B. Charnière de la porte du four en position de déverrouillage



Fermer partiellement la porte pour engager les loquets de la gâche de porte. La porte restera bloquée à cette position.



Retirer et remettre en place les portes du four avec les deux mains. Vous devrez peut-être basculer doucement la porte d'un côté et de l'autre.



A. Encoche située dans le châssis du four pour le loquet de charnière de la porte

Réinstallation de la porte

- Pour remettre en place les portes du four, identifier les encoches pour les loquets de charnière situées dans la cavité du four, puis répéter les étapes précédentes dans l'ordre inverse. S'assurer que la porte ferme correctement et qu'il n'y a pas de blocage au niveau du loquet de la porte. Si nécessaire, retirer la porte et répéter les étapes précédentes. Si la cuisinière est connectée à une source d'alimentation électrique, ouvrir et fermer la porte pour s'assurer que la lampe du four s'allume et s'éteint convenablement.
- La cuisinière est équipée de pieds et de roulettes de nivellement. Une fois que l'on a retiré la cuisinière de la palette d'expédition, s'assurer que les pieds de nivellement ne sont pas en contact avec le sol, et utiliser les roulettes pour déplacer la cuisinière en position. Toujours couvrir la surface du sol pour éviter d'endommager le sol. Ne pas faire rouler la cuisinière directement sur le sol.

Installation de la bride antibasculement

⚠ AVERTISSEMENT



Risque de basculement

Un enfant ou une personne adulte peut faire basculer la cuisinière, ce qui peut causer un décès.

Fixer la bride antibasculement au plancher ou au mur, conformément aux instructions d'installation.

Faire glisser de nouveau la cuisinière de façon à ce que le pied arrière de la cuisinière se trouve dans la fente de la bride antibasculement.

Réengager la bride antibasculement si la cuisinière a été déplacée.

Ne pas faire fonctionner la cuisinière si la bride antibasculement n'est pas installée et engagée.

Le non-respect de ces instructions peut causer un décès ou des brûlures graves aux enfants et aux adultes.

1. Déterminer la méthode de montage à utiliser : au plancher ou au mur.
Pour un plancher en pierre ou en briquetage, on peut utiliser la méthode de montage au mur.
2. Déterminer et marquer l'axe central de l'espace à découper. On doit installer la bride de montage du côté gauche de la découpe. Placer la bride de montage dans l'ouverture découpée comme indiqué dans l'illustration suivante.

Mesure B :

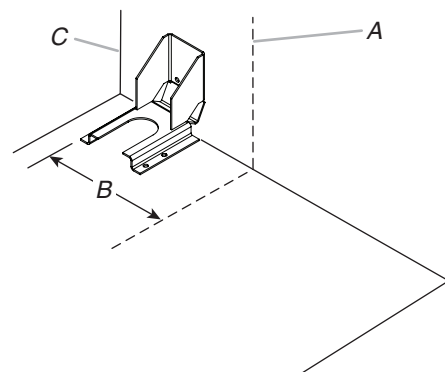
Cuisinières de 30 po (76,2 cm) : 13 po (33,0 cm)

Cuisinières de 36 po (91,4 cm) : 16 po (40,6 cm)

Cuisinières de 48 po (121,9 cm) : 22 po (55,9 cm)

Mesure C :

Distance optionnelle du mur arrière. Si le mur arrière est fabriqué d'un matériau combustible et qu'aucun dossier n'est installé, un dégagement minimal de 6 po (15,2 cm) est nécessaire pour tous les modèles. Adapter l'installation de la bride antibasculement.



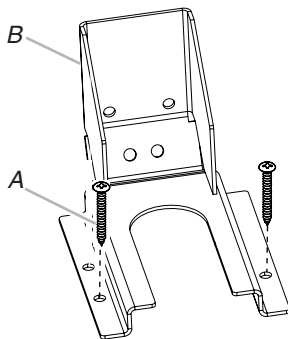
A. Axe central

B. Axe central de l'ouverture découpée jusqu'au bord extérieur de la bride antibasculement

C. Mur arrière au dos de la cuisinière

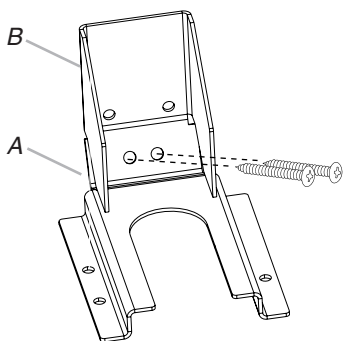
- Percer deux trous de 1/8 po (3,0 mm) qui correspondent aux trous de la bride selon la méthode de montage déterminée. Voir les illustrations suivantes.

Montage au plancher



A. vis no 12 x 1 5/8 po (4,1 cm)
B. Bride antibasculement

Montage mural



A. vis no 12 x 1 5/8 po (4,1 cm)
B. Bride antibasculement

- Utiliser un tournevis cruciforme pour visser la bride antibasculement au mur ou au plancher à l'aide de deux vis no 12 x 1 5/8 po (4,1 cm) incluses.

En fonction de l'épaisseur du plancher, des vis plus longues peuvent s'avérer nécessaires pour fixer la bride au sous-plancher. Des vis plus longues sont offertes chez votre quincaillerie locale.

- Déplacer la cuisinière suffisamment près de l'ouverture pour pouvoir effectuer les raccordements électriques. Retirer la plaque de transport, le carton ou le panneau de fibres dur de sous la cuisinière.
- Poursuivre l'installation de la cuisinière en utilisant les instructions d'installation suivantes.

Raccordement au gaz

⚠ AVERTISSEMENT



Risque d'explosion

Utiliser une canalisation neuve d'arrivée de gaz approuvée par la CSA International.

Installer un robinet d'arrêt.

Bien serrer chaque organe de connexion de la canalisation de gaz.

En cas de connexion au gaz propane, demander à une personne qualifiée de s'assurer que la pression de gaz ne dépasse pas 36 cm (14 po) de la colonne d'eau.

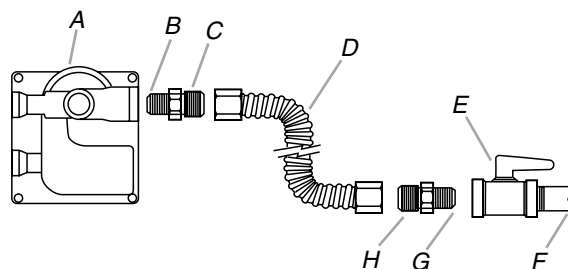
Par personne qualifiée, on comprend :

le personnel autorisé de chauffage,
le personnel autorisé d'une compagnie de gaz, et
le personnel d'entretien autorisé.

Le non-respect de ces instructions peut causer un décès, une explosion ou un incendie.

- Assembler le connecteur flexible de la canalisation d'alimentation en gaz sur le régulateur de pression situé au milieu de la cuisinière.
- Appliquer de la pâte à joint conçue pour une utilisation avec le gaz propane sur les plus petits embouts avec filetage des adaptateurs de connecteur flexible. (Voir B et G sur l'illustration qui suit.)
- Fixer un raccord d'adaptation sur le détendeur et l'autre raccord d'adaptation sur le robinet d'arrêt de la canalisation de gaz. Serrer les deux adaptateurs en veillant à ne pas déplacer ni faire tourner le détendeur.
- Utiliser une clé mixte de 15/16 po (2,4 cm) et une pince multiprise pour fixer l'alimentation flexible de gaz sur les adaptateurs. S'assurer que le raccord n'est pas déformé.

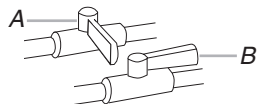
IMPORTANT : Tous les raccords doivent être bien serrés à l'aide d'une clé. Ne pas serrer excessivement la connexion sur le détendeur. Un serrage excessif pourrait provoquer une fissuration du détendeur et une fuite de gaz. Lors du serrage des raccords, empêcher le détendeur de tourner ou de bouger.



- | | |
|--|--|
| A. Détendeur | E. Robinet d'arrêt manuel |
| B. Utiliser un composé d'étanchéité des tuyauteries. | F. Conduite de gaz de 1/2 po (1,3 cm) ou 3/4 po (1,9 cm) |
| C. Raccord d'adaptation (doit posséder un filetage mâle 1/2 po [1,3 cm] pour tuyauterie) | G. Utiliser un composé d'étanchéité des tuyauteries |
| D. Raccord flexible | H. Adaptateur |

Achever le raccordement

1. Ouvrir le robinet d'arrêt manuel sur la canalisation d'alimentation en gaz. Le robinet est ouvert lorsque la poignée est parallèle au tuyau de gaz.

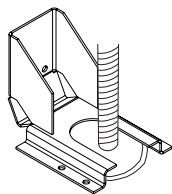


A. Robinet fermé
B. Robinet ouvert

2. Vérifier tous les raccordements en les badigeonnant d'une solution de détection des fuites non corrosive approuvée. L'apparition de bulles indique une fuite. Réparer toutes les fuites.
3. Ôter les chapeaux de brûleur de la cuisinière et les grilles du sachet de pièces. Placer les chapeaux de brûleur sur les bases de brûleur. Placer les grilles sur les brûleurs et chapeaux.
4. Vérifier que la cuisinière est branchée sur une prise de courant appropriée. (Voir la section « Spécifications électriques ».)
5. Ouvrir la source d'alimentation. Pour plus de renseignements, consulter les instructions pour l'utilisateur dans le Guide d'utilisation et d'entretien.

Vérification de l'emplacement de la bride antibasculement

1. À l'aide d'une clé à molette ou d'une douille de 5/16 po (7,9 mm), tourner les quatre tiges de nivellement d'un tour complet pour soulever la cuisinière et fournir suffisamment de dégagement pour que le pied de nivellement arrière puisse pénétrer dans la bride antibasculement.

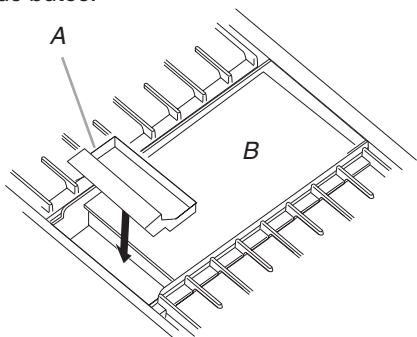


2. Déplacer la cuisinière dans son emplacement final en s'assurant que le pied de nivellement arrière glisse dans la bride antibasculement.
3. Utiliser une lampe de poche pour regarder sous la cuisinière et vérifier que le pied arrière de la cuisinière est inséré dans la fente de la bride antibasculement.

Installer le plateau d'égouttement (sur modèles avec plaque à frire)

La plaque à frire est installée à l'usine.

1. Placer le plateau d'égouttement dans la cavité à l'avant de la plaque à frire. Faire glisser le plateau vers l'arrière jusqu'à la position de butée.



A. Plateau d'égouttement de la plaque à frire
B. Plaque à frire

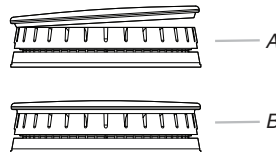
2. Nettoyer la plaque à frire avant de l'utiliser. Consulter le Guide d'utilisation et d'entretien.

Système d'allumage électronique

Installer les chapeaux de brûleur

Placer les chapeaux de brûleurs sur la tête des brûleurs. Si les chapeaux de brûleur ne sont pas correctement installés, les brûleurs de surface ne s'allumeront pas.

Brûleur



A. Incorrect
B. Correct

Allumage initial et réglage des flammes de gaz

À la place de flammes de veille, les brûleurs de la cuisinière sont dotés d'un allumeur électronique. Lorsqu'on place le bouton de commande de la cuisinière à n'importe quelle position, le système génère une étincelle pour allumer le brûleur. Les étincelles continuent d'être générées jusqu'à ce que la flamme soit allumée ou que le bouton soit tourné sur OFF (arrêt).

REMARQUE : L'allumage des brûleurs prend plus de temps la première fois. Cela permet au gaz d'arriver aux brûleurs lors de la première utilisation.

Contrôle du fonctionnement des brûleurs de la cuisinière

Enfoncer et faire tourner le bouton de commande du brûleur à la position

REMARQUE : Un déclic retentit lorsque la canalisation se vide.

Les brûleurs de surface et les flammes du gril doivent s'allumer en 4 secondes. Lors de l'allumage initial du brûleur, le délai d'allumage peut être supérieur à 4 secondes du fait de la présence d'air dans la canalisation de gaz.

Après avoir vérifié le bon fonctionnement du brûleur, tourner les boutons de commande à OFF (arrêt).

Si les brûleurs ne s'allument pas correctement :

- Tourner le bouton de commande de la cuisinière à la position OFF (arrêt).
- Vérifier que la cuisinière est branchée et le disjoncteur n'est pas ouvert ou qu'un fusible n'a pas grillé.
- Vérifier que les robinets d'arrêt de gaz sont en position ouverts.
- Vérifier que les chapeaux de brûleur sont correctement placés sur la base des brûleurs.

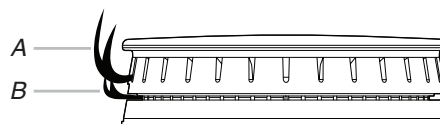
Répéter la mise en marche. Si à ce stade un brûleur ne s'allume pas, contacter le revendeur ou une entreprise de service agréée.

Hauteur de flamme

La flamme de la cuisinière doit être bleue et constante.

REMARQUE : Les hauteurs de flamme sont réglées en usine. Si elles ne semblent pas correctes, contacter votre fournisseur de services.

Brûleur



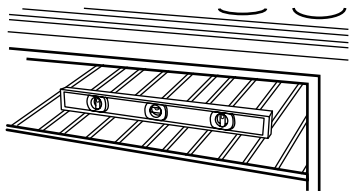
A. Flamme supérieure (principale)
B. Flamme inférieure (mijotage)

REMARQUE : Brûleur double superposé présenté.

Ajustement de l'aplomb de la cuisinière

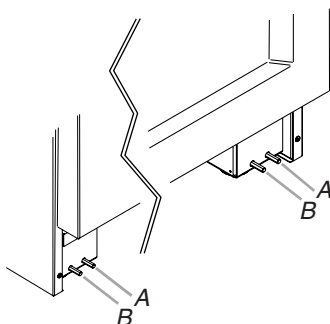
REMARQUE : La cuisinière doit être d'aplomb pour que les résultats de cuisson au four soient satisfaisants.

1. Placer la grille dans le four.
2. Placer un niveau sur la grille et contrôler l'aplomb de la cuisinière, d'abord transversalement, puis dans le sens avant/arrière.



3. Si la cuisinière n'est pas d'aplomb, ajuster les tiges de nivellement. À l'aide d'une clé, tourner les tiges de nivellement situées derrière la plinthe pour mettre la cuisinière d'aplomb et pour soulever ou abaisser la cuisinière à la hauteur de plan de travail désirée.

REMARQUE : Aucun patin à roulettes ne doit être en contact avec le sol lors de l'installation finale.



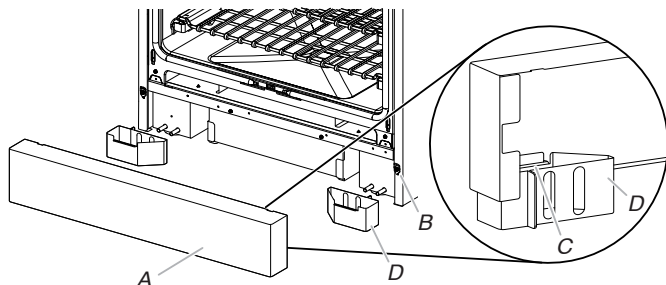
A. Tige de nivellement arrière
B. Tige de nivellement avant

REMARQUE : Tourner dans le sens horaire fait monter l'appareil, tourner dans le sens antihoraire le fait baisser.

Installer la plinthe

REMARQUE : La porte doit être enlevée pour enlever ou replacer la plinthe. Consulter la section « Retirer la porte ».

Aligner la plinthe sur les fentes pour plinthe et la pousser vers le bas.



A. Plinthe
B. Onglet de plinthe
C. Fente de plinthe
D. Pieds

Terminer l'installation

1. Vérifier que toutes les pièces sont maintenant installées. S'il reste une pièce, passer en revue les différentes étapes pour découvrir laquelle aurait été oubliée.
2. Vérifier la présence de tous les outils.
3. Éliminer/recycler tous les matériaux d'emballage.
4. Pour utiliser et nettoyer le four, lire le Guide d'utilisation et d'entretien.

Contrôle du fonctionnement du/des four(s)

1. Mettre l'appareil sous tension.
2. Lancer un programme de cuisson au four. Consulter le Guide d'utilisation et d'entretien pour obtenir des instructions détaillées.

Si le(s) four(s) ne fonctionne(nt) pas, contrôler ce qui suit :

- Le fusible domestique est intact et bien visé ou le disjoncteur n'est pas ouvert.
 - La prise de courant est correctement alimentée.
 - Voir la section « Dépannage » dans le Guide d'utilisation et d'entretien.
3. Après 10 à 15 minutes de fonctionnement du four, ouvrir la porte du four et voir s'il y a de la chaleur. Si aucune chaleur n'est perceptible, éteindre le four et contacter un technicien qualifié.

Pour obtenir de l'assistance ou une visite de service :

Consulter la section « Assistance ou service » du Guide d'utilisation et d'entretien ou contacter le marchand chez qui vous avez acheté votre cuisinière.

CONVERSIONS POUR CHANGEMENT DE GAZ

IMPORTANT : L'opération de conversion de l'appareil (pour l'alimentation au gaz propane au lieu du gaz naturel) doit être exécutée par un installateur qualifié.

AVERTISSEMENT



Risque d'explosion

Utiliser une canalisation neuve d'arrivée de gaz approuvée par la CSA International.

Installer un robinet d'arrêt.

Bien serrer chaque organe de connexion de la canalisation de gaz.

En cas de connexion au gaz propane, demander à une personne qualifiée de s'assurer que la pression de gaz ne dépasse pas 36 cm (14 po) de la colonne d'eau.

Par personne qualifiée, on comprend :

le personnel autorisé de chauffage,
le personnel autorisé d'une compagnie de gaz, et
le personnel d'entretien autorisé.

Le non-respect de ces instructions peut causer un décès, une explosion ou un incendie.

Conversion pour l'alimentation au propane

AVERTISSEMENT



Risque de basculement

Un enfant ou une personne adulte peut faire basculer la cuisinière, ce qui peut causer un décès.

Fixer la bride antibasculement au plancher ou au mur, conformément aux instructions d'installation.

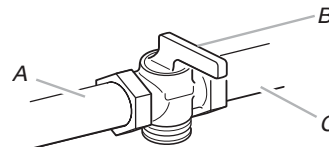
Faire glisser de nouveau la cuisinière de façon à ce que le pied arrière de la cuisinière se trouve dans la fente de la bride antibasculement.

Réengager la bride antibasculement si la cuisinière a été déplacée.

Ne pas faire fonctionner la cuisinière si la bride antibasculement n'est pas installée et engagée.

Le non-respect de ces instructions peut causer un décès ou des brûlures graves aux enfants et aux adultes.

1. Fermer le robinet d'arrêt manuel à la position fermée.



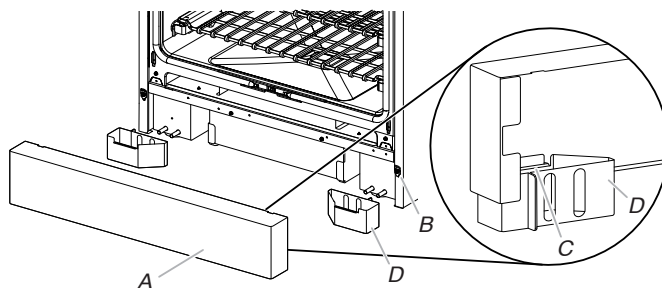
- A. Vers la cuisinière
- B. Robinet d'arrêt (position fermée)
- C. Canalisation d'alimentation en gaz

2. Débrancher la cuisinière ou déconnecter la source de courant électrique.

Conversion du détendeur du gaz naturel au gaz propane

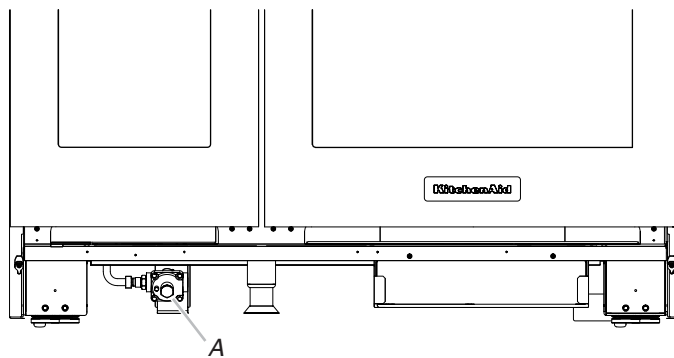
REMARQUE : La porte doit être enlevée pour enlever ou remplacer la plinthe. Consulter la section « Retirer la porte ».

1. Soulever la plinthe et le retirer des onglets de plinthe.



- A. Plinthe
- B. Onglet de plinthe
- C. Fente de plinthe
- D. Pieds

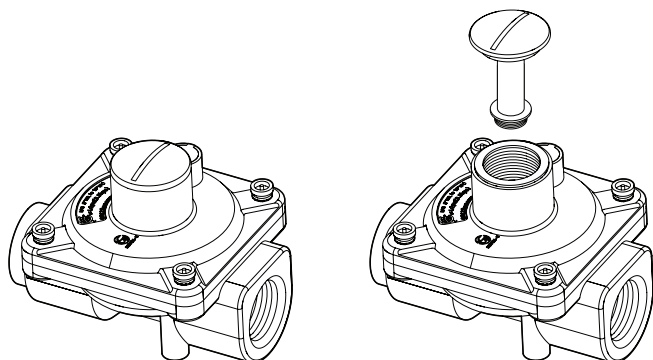
2. Placer doucement la plinthe de côté pour éviter les rayures.
3. Localiser le détendeur situé du côté arrière gauche de la cuisinière.



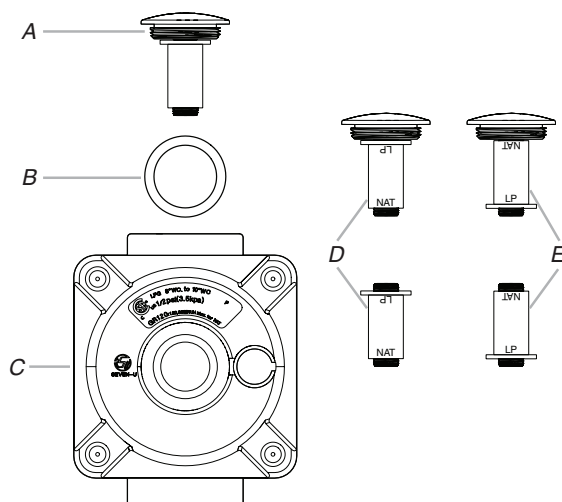
- A. Détendeur

- Retirer le chapeau du détendeur à l'aide d'un gros tournevis à lame plate en tournant le chapeau du détendeur dans le sens antihoraire. Lorsque le chapeau est enlevé, ne pas desserrer le joint en métal.

REMARQUE : Ne pas enlever le ressort situé sous le capuchon.



- Ôter le ressort de retenue qui se trouve sous le chapeau en tournant le ressort de retenue dans le sens antihoraire. Identifier les positions « LP » (propane) et « NAT » (naturel) sur le ressort de retenue. Orienter correctement le ressort de retenue pour que la flèche « LP » (propane) pointe vers le chapeau.



A. Chapeau de l'ouverture d'accès

B. Joint en métal

C. Détendeur

D. Ressort de retenue en position NAT (naturel)

E. Ressort de retenue en position LP (propane)

- Serrer le chapeau du détendeur à l'aide d'un gros tournevis à lame plate en tournant le chapeau du détendeur dans le sens horaire.

- Tester le détendeur et la canalisation de gaz.

On doit tester le détendeur sous une pression supérieure d'au moins 1 po (2,5 cm) de colonne d'eau à la pression de service. Pour le fonctionnement et le contrôle du réglage du détendeur, il faut que la pression d'admission au détendeur corresponde aux indications ci-dessous :

Gaz propane :

Pression minimale : 11 po (27,9 cm) de colonne d'eau

Pression maximale : 14 po (35,6 cm) de colonne d'eau

Essai de pression de la canalisation de gaz

On doit tester le détendeur sous une pression supérieure d'au moins 1 po (2,5 cm) à la pression de la tubulure de distribution indiquée sur la plaque signalétique.

Mise sous pression à une pression supérieure à 1/2 lb/ po² (3,5 kPa) (14 po [35,6 cm] de colonne d'eau)

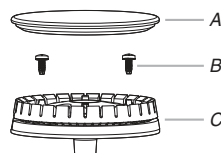
Lors de tout test de mise sous pression de ce système à une pression supérieure à 1/2 lb/po² (3,5 kPa), on doit déconnecter la cuisinière et son robinet d'arrêt individuel de la canalisation de gaz.

Mise sous pression à une pression de 1/2 lb/po² (3,5 kPa) (14 po [35,6 cm] de colonne d'eau) ou moins

Lors de tout test de mise sous pression de la canalisation de gaz à une pression égale ou inférieure à 1/2 lb/po² (3,5 kPa), on doit isoler la cuisinière de la canalisation de gaz par fermeture de son robinet d'arrêt manuel individuel.

Conversion des brûleurs de surface du gaz naturel au gaz propane

- Si les grilles de brûleur sont installées, les retirer.
- Ôter le chapeau de brûleur.
- Retirer la base du brûleur en dévissant d'abord (2) vis T-20.



Brûleur

A. Chapeau de brûleur

B. Vis

C. Base du brûleur

- Appliquer du ruban adhésif de masquage à l'extrémité d'un tourne-écrou de 7 mm pour retenir le gicleur du brûleur dans le tourne-écrou durant l'extraction. Insérer le tourne-écrou de gaz, appuyer sur le gicleur et le retirer en le faisant tourner dans le sens antihoraire et en le soulevant. Conserver à part l'injecteur du brûleur.
- Remplacer le gicleur par un gicleur pour gaz propane de taille correcte. Voir le « Tableau de sélection des gicleurs/injecteurs femelles pour gaz propane ».

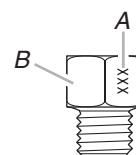
Suivre les indications du tableau ci-dessous pour déterminer l'emplacement exact de chaque gicleur de brûleur.

Tableau de sélection des gicleurs/injecteurs femelles pour gaz propane

Puissance thermique	Empreinte	Taille	Style de brûleur
4 000 BTU	63	0,63 mm	Petit brûleur
12 000 BTU	103	1,03 mm	Brûleur moyen
13 000 BTU	99	0,99 mm	Gros brûleur – principal
	50	0,50 mm	Gros brûleur – mijotage

REMARQUE : Consulter la plaque signalétique pour obtenir plus de renseignements sur les capacités nominales du brûleur et les emplacements.

Gicleur de brûleur



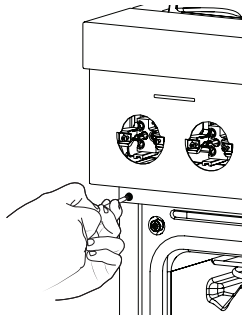
A. Marquage pour identification de la taille

B. Marque de type de gaz (L ou N)

6. Placer le gicleur pour gaz naturel dans le sachet en plastique contenant les pièces et conserver le tout avec le sachet de documentation pour pouvoir le réutiliser ultérieurement.
REMARQUE : Il peut y avoir des trous supplémentaires dans votre trousse.
7. Réinstaller la base du brûleur et les vis. Serrer les vis jusqu'à ce que le brûleur soit en affleurement avec la surface de cuisson, pas plus. Ne pas trop serrer.
8. Réinstaller le chapeau de brûleur.
9. Répéter les étapes 2 à 8 pour les autres brûleurs.

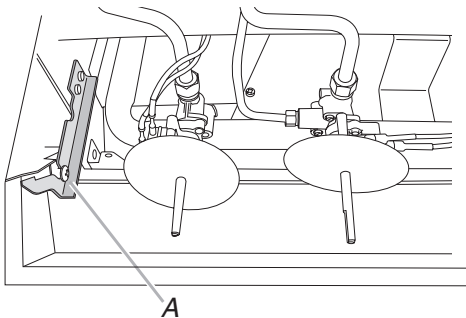
Effectuer le réglage faible de mijotage du brûleur de surface au propane

1. Débrancher la cuisinière ou déconnecter la source de courant électrique.
2. À l'aide d'un tournevis carré, retirer les boutons de commande et encadrements du brûleur de surface (les boutons de commande du four et de la plaque n'ont pas besoin d'être enlevés).
3. Ouvrir la porte du four et ôter les deux vis qui maintiennent la console de commande en place de chaque côté de la cuisinière.



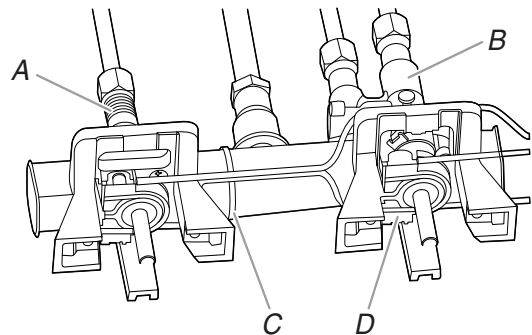
REMARQUE : Veiller à laisser la porte ouverte, sans quoi la console de commande ne reposera pas correctement sur les brides latérales une fois attachées.

4. Tirer la console de commande vers le haut et la laisser retomber vers l'avant dans les brides à encoche de la console situées de chaque côté.

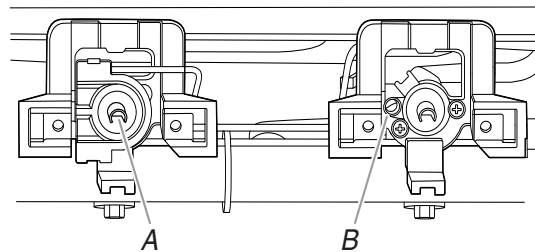


A. Bride de la console de commande

5. Trouver la vis de réglage d'intensité faible pour le brûleur approprié sur la valve. La vis de réglage d'intensité faible pour les valves des brûleurs arrière gauche, arrière droit, arrière central et avant central (aluminium) est située au centre de la tige de la valve. La vis de réglage d'intensité faible pour les valves des brûleurs avant gauche et avant droit (laiton) est située derrière le commutateur d'allumage sur le corps de la valve, à gauche de la tige. Pour retirer le commutateur d'allumage, couper l'attache mono-usage et tirer le commutateur pour le sortir de la tige de valve.



- A. Valve en aluminium pour les brûleurs arrière gauche, arrière droit, arrière central et avant central
 B. Valve en laiton pour les brûleurs avant gauche et avant droit
 C. Attache mono-usage
 D. Commutateur d'ignition



- A. Vis de réglage d'intensité faible pour la valve en aluminium au centre de la tige
 B. Vis de réglage d'intensité faible de la valve en laiton

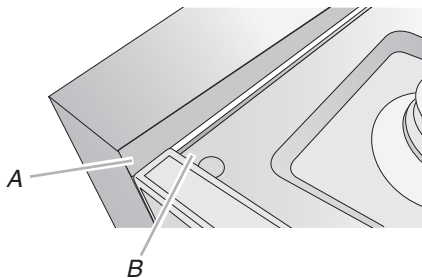
6. En plaçant le brûleur sur ON (marche) (le brûleur devra être allumé manuellement à l'aide d'un briquet) et régler sur simmer LOW (mijotage faible), régler la flamme de mijotage vers le bas pour obtenir la bonne puissance en BTU. À l'aide d'un tournevis à lame plate de 1/8 po x 4 1/4 po (3,2 mm x 108 mm), tourner la vis de réglage d'intensité de mijotage faible dans le sens horaire jusqu'à ce que la hauteur de la flamme se situe au niveau du chapeau ou en dessous. Si la flamme devient instable et tremblote ou semble courir autour du brûleur, le réglage est trop faible et la vis doit être tournée dans le sens antihoraire jusqu'à ce que la flamme soit stable. Répéter cette étape pour tous les brûleurs de surface.

REMARQUE : Utiliser le bouton pour régler la valve du brûleur.

REMARQUE : Régler individuellement chaque brûleur.

7. Une fois les réglages terminés, replacer les commutateurs d'allumage sur les valves.
8. Soulever la console de commande et la remettre en place. Pour que les deux soient bien emboîtées, le rebord de la console de commande doit se rabattre par-dessus la bordure de l'avant de la table de cuisson.

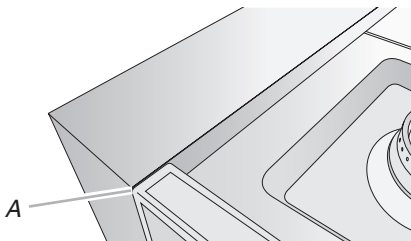
REMARQUE : Il pourrait être nécessaire de soulever les tiges de



A. Rebord de la console de commande

B. Bordure avant la table de cuisson de la cuisinière

valves pour effectuer l'alignement avec les trous de la console.



A. En affleurement avec le dessus de la cuisinière

9. Vérifier que la console de commande est en affleurement avec le bord supérieur de la cuisinière.
10. Remettre en place les vis de chaque côté de la console de commande.
11. Replacer les encadrements à l'aide des 2 vis qui se fixent aux supports de valves, en s'assurant de bien placer les encadrements avant et arrière. Ils ne pourront être correctement fixés s'ils ne sont pas à la bonne place.
12. Placer les boutons de surface sur les tiges des valves.
13. Replacer les grilles des brûleurs.

Terminer l'installation

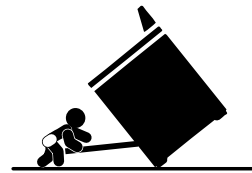
1. Consulter la section « Effectuer le raccordement au gaz » pour savoir comment bien raccorder la cuisinière à l'entrée de gaz.
2. Pour l'allumage et l'utilisation corrects du brûleur, ainsi que le réglage des flammes sur le brûleur, voir la section « Système d'allumage électronique ».

IMPORTANT : Il peut être nécessaire de modifier le réglage des flammes à la position du débit thermique minimum « LO » (basse) pour chaque brûleur de la cuisinière. Il est très important de vérifier que les flammes sont correctes sur les brûleurs de la cuisinière. Le petit cône interne doit comporter une flamme bleue très distincte de 1/4 po (6,4 mm) à 1/2 po (1,3 cm) de long. Le cône extérieur n'est pas aussi net que le cône intérieur. Les flammes produites par le gaz propane ont une pointe légèrement jaune.

3. Voir le point « Terminer l'installation » de la section « Instructions d'installation » du présent manuel pour achever cette procédure.

Conversion au gaz naturel

⚠ AVERTISSEMENT



Risque de basculement

Un enfant ou une personne adulte peut faire basculer la cuisinière, ce qui peut causer un décès.

Fixer la bride antibasculement au plancher ou au mur, conformément aux instructions d'installation.

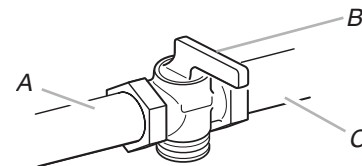
Faire glisser de nouveau la cuisinière de façon à ce que le pied arrière de la cuisinière se trouve dans la fente de la bride antibasculement.

Réengager la bride antibasculement si la cuisinière a été déplacée.

Ne pas faire fonctionner la cuisinière si la bride antibasculement n'est pas installée et engagée.

Le non-respect de ces instructions peut causer un décès ou des brûlures graves aux enfants et aux adultes.

1. Fermer le robinet d'arrêt manuel à la position fermée.



A. Vers la cuisinière

B. Robinet d'arrêt (position fermée)

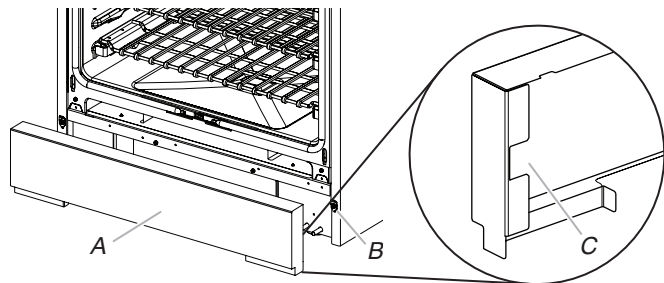
C. Canalisation d'alimentation en gaz

2. Débrancher la cuisinière ou déconnecter la source de courant électrique.

Conversion du détendeur du gaz propane au gaz naturel

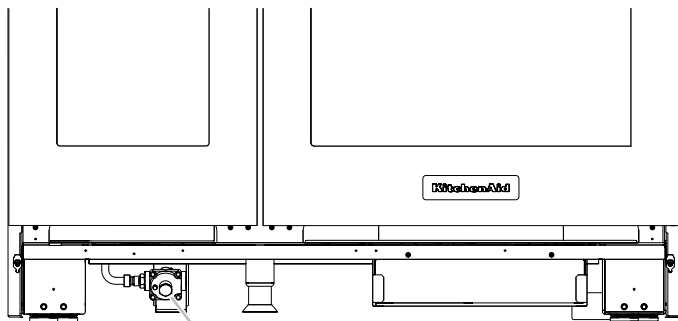
REMARQUE : La porte doit être enlevée pour enlever ou replacer la plinthe. Consulter la section « Retirer la porte ».

1. Soulever la plinthe et le retirer des onglets de plinthe.



A. Plinthe
B. Onglet de plinthe
C. Fente de plinthe

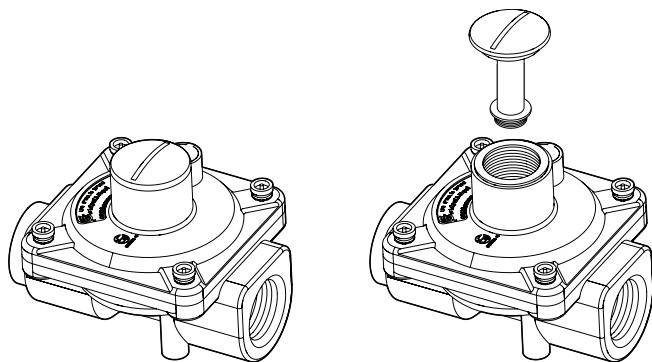
2. Placer la plinthe sur le côté avec précaution pour éviter d'érafler l'acier inoxydable.
3. Localiser le détendeur situé du côté arrière gauche de la cuisinière.



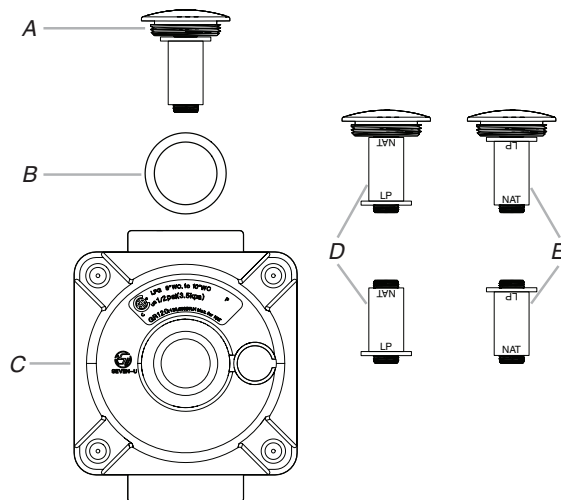
A. Détendeur

4. Retirer le chapeau du détendeur à l'aide d'un gros tournevis à lame plate en tournant le chapeau du détendeur dans le sens antihoraire. Lorsque le chapeau est enlevé, ne pas desserrer le joint en métal.

REMARQUE : Ne pas enlever le ressort situé sous le capuchon.



5. Ôter le ressort de retenue qui se trouve sous le chapeau en tournant le ressort de retenue dans le sens antihoraire. Identifier les positions « LP » (propane) et « NAT » (naturel) sur le ressort de retenue. Orienter correctement le ressort de retenue pour que la flèche « NAT » (naturel) pointe vers le chapeau.



A. Chapeau de l'ouverture d'accès
B. Joint en métal
C. Détendeur
D. Ressort de retenue en position LP (propane)
E. Ressort de retenue en position NAT (naturel)

6. Serrer le chapeau du détendeur à l'aide d'un gros tournevis à lame plate en tournant le chapeau du détendeur dans le sens horaire.
7. Tester le détendeur et la canalisation de gaz.

On doit tester le détendeur sous une pression supérieure d'au moins 1 po (2,5 cm) de colonne d'eau à la pression de service. Pour le fonctionnement et le contrôle du réglage du détendeur, il faut que la pression d'admission au détendeur corresponde aux indications ci-dessous :

Gaz naturel :

Pression minimale : 6 po (15,2 cm) de colonne d'eau
Pression maximale : 14 po (35,6 cm) de colonne d'eau

Essai de pression de la canalisation de gaz

On doit tester le détendeur sous une pression supérieure d'au moins 1 po (2,5 cm) à la pression de la tubulure de distribution indiquée sur la plaque signalétique.

Mise sous pression à une pression supérieure à 1/2 lb/po² (3,5 kPa) (14 po [35,6 cm] de colonne d'eau)

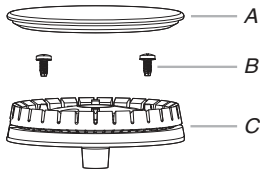
Lors de tout test de mise sous pression de ce système à une pression supérieure à 1/2 lb/po² (3,5 kPa), on doit déconnecter la cuisinière et son robinet d'arrêt individuel de la canalisation de gaz.

Mise sous pression à une pression de 1/2 lb/po² (3,5 kPa) (14 po [35,6 cm] de colonne d'eau) ou moins

Lors de tout test de mise sous pression de la canalisation de gaz à une pression égale ou inférieure à 1/2 lb/po² (3,5 kPa), on doit isoler la cuisinière de la canalisation de gaz par fermeture de son robinet d'arrêt manuel individuel.

Conversion des brûleurs de surface du gaz propane au gaz naturel

1. Si les grilles de brûleur sont installées, les retirer.
2. Ôter le chapeau de brûleur.
3. Retirer la base du brûleur en dévissant d'abord (2) vis T-20.



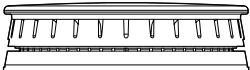


Brûleur

- A. Chapeau de brûleur
- B. Vis
- C. Base du brûleur

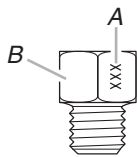
4. Appliquer du ruban adhésif de masquage à l'extrémité d'un tourne-écrou de 7 mm pour retenir le gicleur du brûleur dans le tourne-écrou durant l'extraction. Insérer le tourne-écrou dans l'ouverture de gaz, appuyer sur le gicleur et le retirer en le faisant tourner dans le sens antihoraire et en le soulevant. Conserver à part l'injecteur du brûleur.
5. Remplacer le gicleur par un gicleur pour gaz naturel de taille correcte. Voir le « Tableau de sélection des gicleurs/injecteurs femelles pour gaz naturel ». Suivre les indications du tableau ci-dessous pour déterminer l'emplacement exact de chaque gicleur de brûleur.

Tableau de sélection des gicleurs/injecteurs femelles pour gaz naturel

Puissance thermique	Empreinte	Taille	Style de brûleur
5 000 BTU	99	0,99 mm	Petit brûleur 
15 000 BTU	175	1,75 mm	Brûleur moyen 
20 000 BTU	203 78	2,03 mm 0,78 mm	Grand brûleur – principal Grand brûleur – mijotage 

REMARQUE : Consulter la plaque signalétique pour obtenir plus de renseignements sur les capacités nominales du brûleur et les emplacements.

Gicleur de brûleur

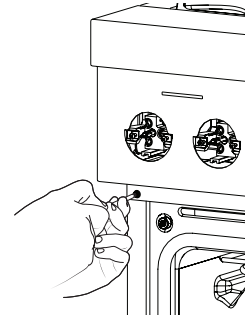


- A. Marquage pour identification de la taille
- B. Marque de type de gaz (L ou N)

6. Placer l'injecteur pour gaz propane dans le sachet en plastique contenant les pièces et conserver le tout avec le sachet de documentation pour pouvoir le réutiliser ultérieurement.
7. Réinstaller la base du brûleur et les vis. Serrer les vis jusqu'à ce que le brûleur soit en affleurement avec la surface de cuisson, pas plus. Ne pas trop serrer.
8. Réinstaller le chapeau de brûleur.
9. Répéter les étapes 2 à 8 pour les autres brûleurs.

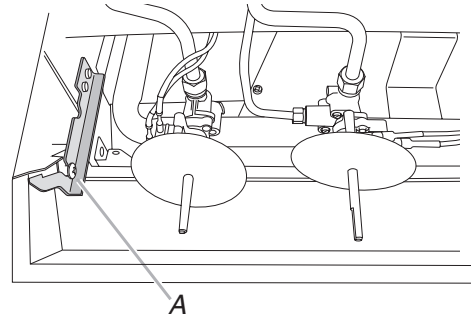
Effectuer le réglage faible de mijotage du brûleur de surface au gaz naturel

1. Débrancher la cuisinière ou déconnecter la source de courant électrique.
2. À l'aide d'un tournevis carré, retirer les boutons de commande et encadrements du brûleur de surface (les boutons de commande du four et de la plaque n'ont pas besoin d'être enlevés).
3. Ouvrir la porte du four et ôter les deux vis qui maintiennent la console de commande en place de chaque côté de la cuisinière.



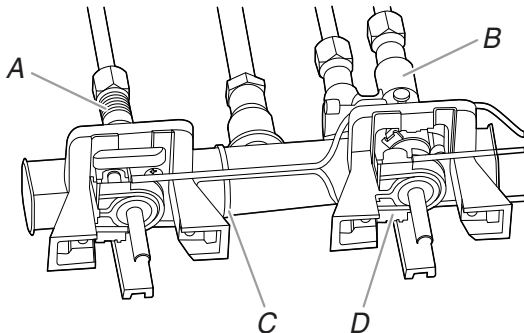
REMARQUE : Veiller à laisser la porte ouverte, sans quoi la console de commande ne reposera pas correctement sur les brides latérales une fois attachées.

4. Tirer la console de commande vers le haut et la laisser retomber vers l'avant dans les brides à encoche de la console situées de chaque côté.

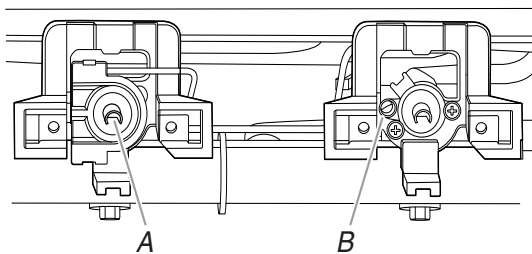


A. Brides de la console de commande

5. Trouver la vis de réglage d'intensité faible pour le brûleur approprié sur la valve. La vis de réglage d'intensité faible pour les valves des brûleurs arrière gauche, arrière droit, arrière central et avant central (aluminium) est située au centre de la tige de la valve. La vis de réglage d'intensité faible pour les valves des brûleurs avant gauche et avant droit (laiton) est située derrière le commutateur d'allumage sur le corps de la valve, à gauche de la tige. Pour retirer le commutateur d'allumage, couper l'attache mono-usage et tirer le commutateur pour le sortir de la tige de valve.



- A. Valve en aluminium pour les brûleurs arrière gauche, arrière droit, arrière central et avant central
 B. Valve en laiton pour les brûleurs avant gauche et avant droit
 C. Attache mono-usage
 D. Commutateur d'ignition



- A. Vis de réglage d'intensité faible pour la valve en aluminium au centre de la tige
 B. Vis de réglage d'intensité faible de la valve en laiton

6. En plaçant le brûleur sur ON (marche) (le brûleur devra être allumé manuellement à l'aide d'un briquet) et régler sur simmer LOW (mijotage faible), régler la flamme de mijotage vers le bas pour obtenir la bonne puissance en BTU. À l'aide d'un tournevis à lame plate de 1/8 po x 4 1/4 po (3,2 mm x 108 mm), tourner la vis de réglage d'intensité de mijotage faible dans le sens horaire jusqu'à ce que la hauteur de la flamme se situe au niveau du chapeau ou en dessous. Si la flamme devient instable et tremblote ou semble courir autour du brûleur, le réglage est trop faible et la vis doit être tournée dans le sens antihoraire jusqu'à ce que la flamme soit stable. Répéter cette étape pour tous les brûleurs de surface.

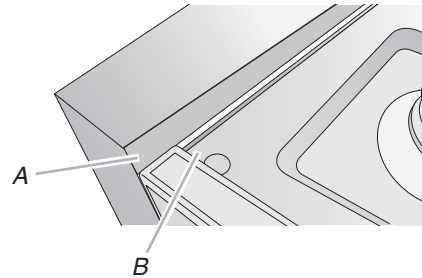
REMARQUE : Utiliser le bouton pour régler la valve du brûleur.

REMARQUE : Régler individuellement chaque brûleur.

7. Une fois les réglages terminés, remplacer les commutateurs d'allumage sur les valves.

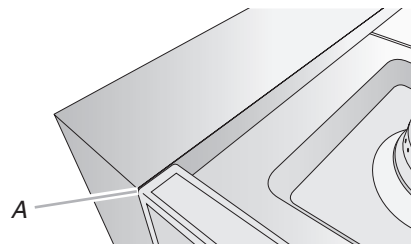
8. Soulever la console de commande et la remettre en place. Pour que les deux soient bien emboîtées, le rebord de la console de commande doit se rabattre par-dessus la bordure de l'avant de la table de cuisson.

REMARQUE : Il pourrait être nécessaire de soulever les tiges de valves pour effectuer l'alignement avec les trous de la console.



- A. Rebord de la console de commande
 B. Bordure avant la table de cuisson de la cuisinière

9. Vérifier que la console de commande est en affleurement avec le bord supérieur de la cuisinière.



- A. En affleurement avec le dessus de la cuisinière

10. Remettre en place les vis de chaque côté de la console de commande.
 11. Replacer les encadrements à l'aide des 2 vis qui se fixent aux supports de valves, en s'assurant de bien placer les encadrements avant et arrière. Ils ne pourront être correctement fixés s'ils ne sont pas à la bonne place.
 12. Placer les boutons de surface sur les tiges des valves.
 13. Replacer les grilles des brûleurs.

Terminer l'installation

1. Consulter la section « Effectuer le raccordement au gaz » pour savoir comment bien raccorder la cuisinière à l'entrée de gaz.
 2. Pour l'allumage et l'utilisation corrects du brûleur, ainsi que le réglage des flammes sur le brûleur, voir la section « Système d'allumage électronique ».

IMPORTANT : Il peut être nécessaire de modifier le réglage des flammes à la position du débit thermique minimum « LO » (basse) pour chaque brûleur de la cuisinière.

Il est très important de vérifier que les flammes sont correctes sur les brûleurs de la cuisinière. Le petit cône interne doit comporter une flamme bleue très distincte de 1/4 po (6,4 mm) à 1/2 po (1,3 cm) de long. Le cône extérieur n'est pas aussi net que le cône intérieur. Les flammes produites par le gaz propane ont une pointe légèrement jaune.

3. Voir le point « Terminer l'installation » de la section « Instructions d'installation » du présent manuel pour achever cette procédure.