



READ THESE INSTRUCTIONS
AND SAVE THEM FOR FUTURE USE



Installation Guide

For Model:
COS52OSB5CR

Table of Contents:

- Safety Tips. pg. 1
- Unpacking Your Fan. pg. 2
- Parts Inventory. pg. 2
- Installation Preparation. pg. 3
- Hanging Bracket Installation. pg. 3
- Fan Assembly. pgs. 4 - 5
- Wiring. pg. 5
- Canopy Assembly. pg. 6
- Blade Assembly. pg. 6
- Light Kit Assembly (Optional). pg. 7
- Automated Learning Process./
Activating Code. pg. 8
- Remote Control Operation. pg. 9
- Testing Your Fan. pg. 9
- Troubleshooting. pg. 10
- Warranty. pg. 10
- Parts Replacement. pg. 10



LISTED
For
Damp Location
E192641

net weight of fan: 21.78 lb (9.9 kg)

PRINTED IN CHINA

SAFETY TIPS.

WARNING: To reduce the risk of electrical shock, turn off the electricity to the fan at the main fuse box or circuit panel before you begin the fan installation or before servicing the fan or installing accessories.

1. **READ ALL INSTRUCTIONS AND SAFETY INFORMATION CAREFULLY BEFORE INSTALLING YOUR FAN AND SAVE THESE INSTRUCTIONS.**

CAUTION: To avoid personal injury, the use of gloves may be necessary while handling fan parts with sharp edges.

2. Make sure all electrical connections comply with Local Codes or Ordinances, the National Electrical Code, and ANSI/NFPA 70-1999. If you are unfamiliar with electrical wiring or if the house/building wires are different colors than those referred to in the instructions, please use a qualified electrician.
3. Make sure you have a location selected for your fan that allows clear space for the blades to rotate, and at least seven (7) feet (2.13 meters) of clearance between the floor and the fan blade tips. The fan should be mounted so that the tips of the blades are at least thirty (30) inches (76 centimeters) from walls or other upright structures.
4. The outlet box and ceiling support joist used must be securely mounted, and capable of supporting at least 35 pounds (16 kilograms). The outlet box must be supported directly by the building structure. Use only UL listed outlet boxes marked "FOR FAN SUPPORT."

WARNING: To reduce the risk of fire, electrical shock, or personal injury, mount to the outlet box marked "Acceptable for Fan Support of 15.9 kg (35 lb) or less," and use the mounting screws provided with the outlet box. Most outlet boxes commonly used for the support of lighting fixtures are not acceptable for fan support and may need to be replaced. Consult a qualified electrician if in doubt.

WARNING: To reduce the risk of fire, electrical shock, or personal injury, wire connectors provided with this fan are designed to accept only one 12 gauge house wire and two lead wires from the fan. If your house wire is larger than 12 gauge or there is more than one house wire to connect to the corresponding fan lead wires, consult an electrician for the proper size wire connectors to use.

5. Electrical diagrams are for reference only. Light kits that are not packed with the fan must be UL listed and marked suitable for use with the model fan you are installing. Switches must be UL general use switches. Refer to the instructions packaged with the light kits and switches for proper assembly.
6. After installation is complete, check that all connections are absolutely secure.
7. After making electrical connections, spliced conductors should be turned upward and pushed carefully up into the outlet box. The wires should be spread apart with the grounded conductor and the equipment-grounding conductor on opposite sides of the outlet box.

WARNING: To reduce the risk of fire or electrical shock, do not use this fan with any solid state speed control device or control fan speed with a full range dimmer switch. [Using a full range dimmer switch to control fan speed will cause a loud humming noise from fan.]

8. Do not operate the reverse switch until fan has come to a complete stop.
9. Do not insert anything between the fan blades while they are rotating.

WARNING: To reduce the risk of personal injury, do not bend the blade arms during assembly or after installation. Do not insert objects into the path of the blades.

WARNING: To avoid personal injury or damage to the fan and other items, be cautious when working around or cleaning the fan.

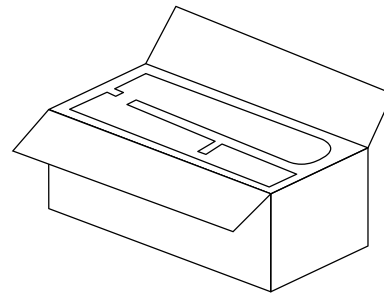
10. Do not use water or detergents when cleaning the fan or fan blades. A dry dust cloth or lightly dampened cloth will be suitable for most cleaning.

WARNING: To reduce the risk of personal injury, use **only** parts provided with this fan. **The use of parts OTHER than those provided with this fan will void the warranty.**

NOTE: The important safety precautions and instructions appearing in the manual are not meant to cover all possible conditions and situations that may occur. It must be understood that common sense and caution are necessary factors in the installation and operation of this fan.

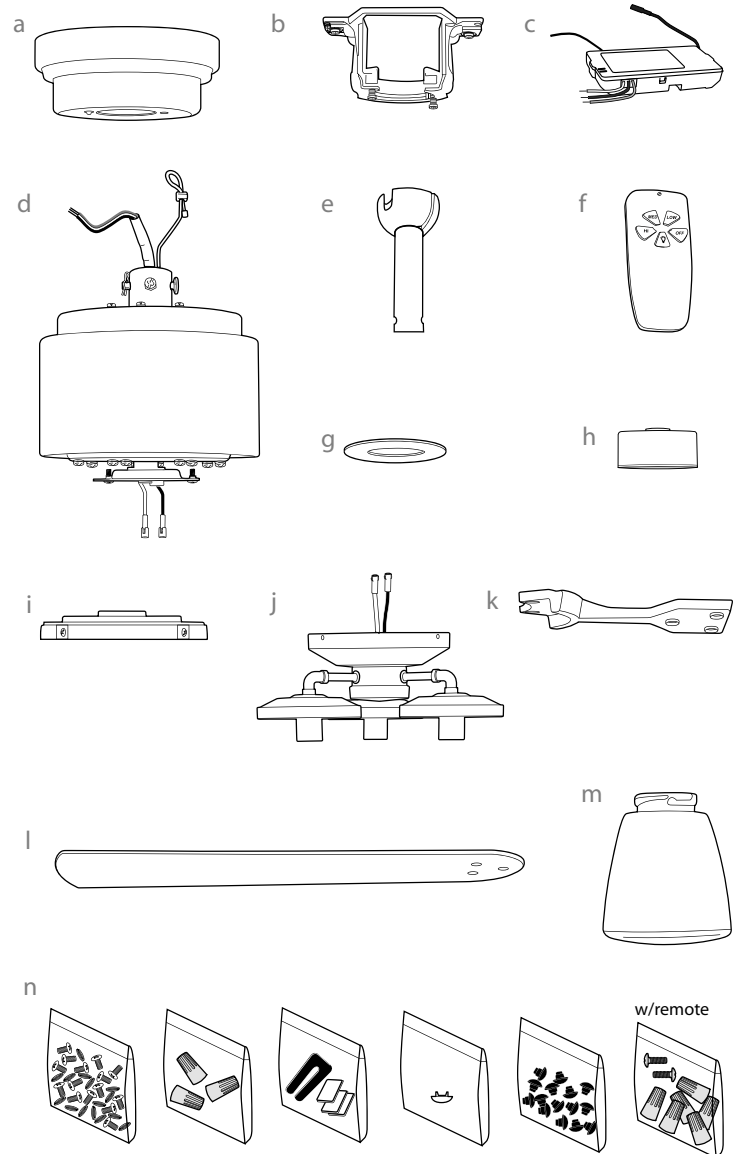
1. Unpacking Your Fan.

Carefully open the packaging. Remove items from Styrofoam inserts. Remove motor housing and place on carpet or Styrofoam to avoid damage to finish. *The motor stabilization pieces may be discarded at this time. Do not discard fan carton or Styrofoam inserts should this fan need to be returned for repairs. Check against parts inventory that all parts have been included.



2. Parts Inventory.

- a. canopy. 1 piece
- b. hanging bracket. 1 piece
- c. remote control receiver. 1 piece
- d. motor housing. 1 piece
- e. downrod and hanging ball. 1 piece
- f. remote control transmitter. 1 piece
- g. canopy cover (in hardware pack). 1 piece
- h. yoke cover. 1 piece
- i. fitter plate. 1 piece
- j. light kit fitter. 1 piece
- k. blade arm. 5 pieces
- l. blade. 5 pieces
- m. glass shade. 3 pieces
- n. hardware packs



⚠ IMPORTANT REMINDER: You must use the parts provided with this fan for proper installation and safety. **⚠**

required bulbs:
3 x 40 watt max. candelabra base bulbs
(included)



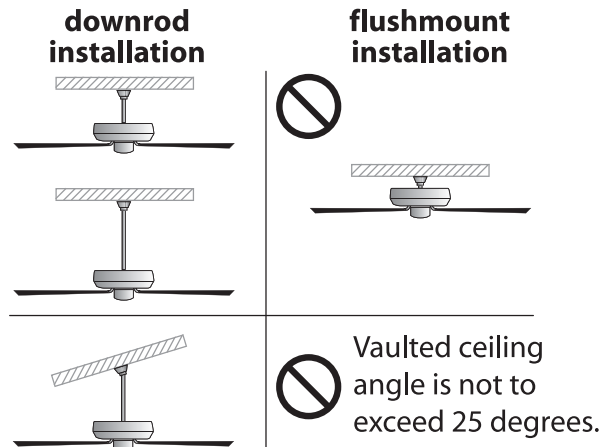
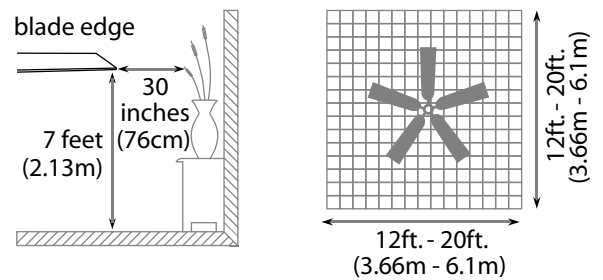
3. Installation Preparation.

To prevent personal injury and damage, ensure that the hanging location allows the blades a clearance of 7 feet (2.13m) from the floor and 30in. (76cm) from any wall or obstruction. This fan is suitable for room sizes up to 400 square feet (37.2 square meters).

This fan can be mounted with a **downrod** on a regular (no-slope) or vaulted ceiling. The hanging length can be extended by purchasing a longer downrod (0.5in./1.27cm diameter). Other installation, such as **flushmount**, is *not* available for this fan.

Installation requires these tools:

Phillips screwdriver, flat-head screwdriver, adjustable pliers or wrench, stepladder, wire cutters and rated electrical tape.



4. Hanging Bracket Installation.

Turn off circuit breakers to current fixture from breaker panel and be sure operating light switch is turned to the OFF position.

WARNING: Failure to disconnect power supply prior to installation may result in serious injury.

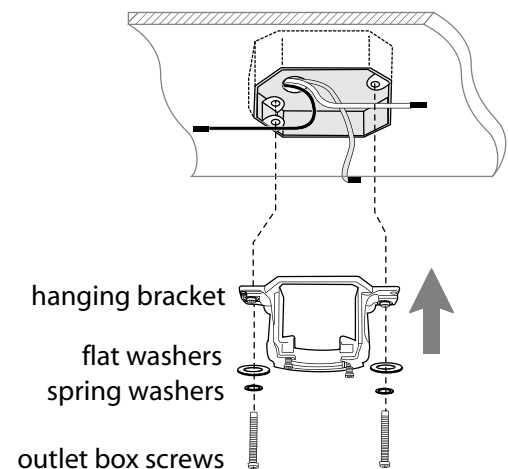
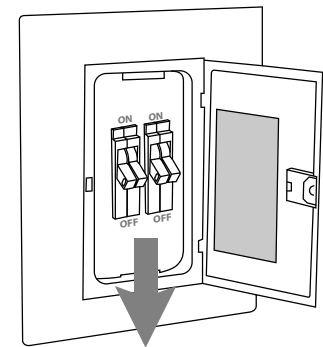
Remove existing fixture.

WARNING: When using an existing outlet box, be sure the outlet box is securely attached to the building structure and can support the full weight of the fan. Ensure the outlet box is clearly marked "Suitable for Fan Support." If not, it must be replaced with an approved outlet box. Failure to do so can result in serious injury.

CAUTION: Be sure outlet box is grounded and that a ground wire (**GREEN** or bare) is present.

Install hanging bracket to outlet box using original screws, spring washers and flat washers provided with new or original outlet box.* Arrange electrical wiring around the back of the hanging bracket and away from the bracket opening.

***Note:** It is very important that you use the proper hardware when installing the hanging bracket as this will support the fan.



5. Fan Assembly.

If you wish to extend the hanging length of your fan, you must remove the hanging ball from the downrod provided to use with an extended downrod (sold separately). [If you wish to use the downrod provided, please proceed to instructions following the dotted line below.]

To remove hanging ball, loosen set screw on hanging ball. Lower hanging ball and remove stop pin. Slide hanging ball off the original downrod, A, and slide it down the longer downrod, B (the top of the downrod should be noted as having a set screw hole; use this hole when setting the set screw). Insert stop pin into top of extended downrod and raise hanging ball. Be sure stop pin aligns with slots on the inside of the hanging ball. Tighten set screw securely.

WARNING: Failure to tighten set screw completely could result in the fan becoming loose and possibly falling.

Tip: To prepare for threading electrical wires through downrod, apply a small piece of electrical tape to the ends of the electrical wires--this will keep the wires together when threading them through the downrod.

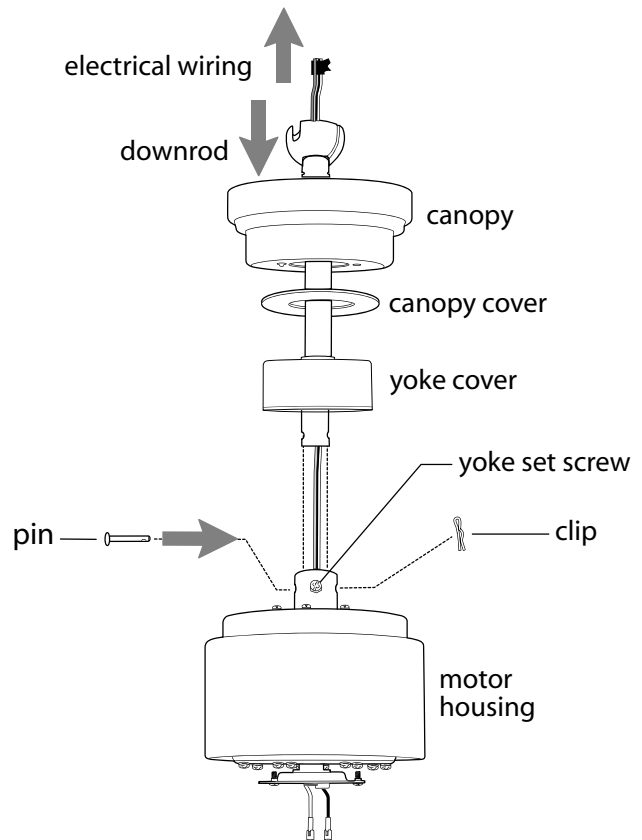
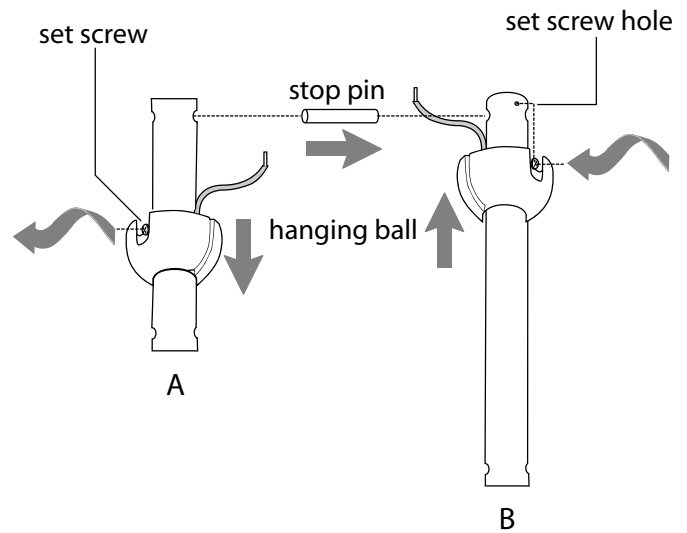
Locate canopy cover in hardware pack. Loosen yoke set screws and nuts at top of motor housing. Remove pin and clip from motor housing yoke. Slide downrod through canopy, canopy cover and yoke cover. [Note: Canopy cover must be turned with shiny side toward the motor housing.]

Thread electrical wires through downrod and pull extra wire slack from the upper end of the downrod.

Place downrod into the motor housing yoke and re-insert pin and clip that were previously removed. Tighten yoke set screws and nuts securely. Lower yoke cover to motor housing.

["Fan Assembly" continued on next page.]

NOTE: The important safety precautions and instructions appearing in the manual are not meant to cover all possible conditions and situations that may occur. It must be understood that common sense and caution are necessary factors in the installation and operation of this fan.

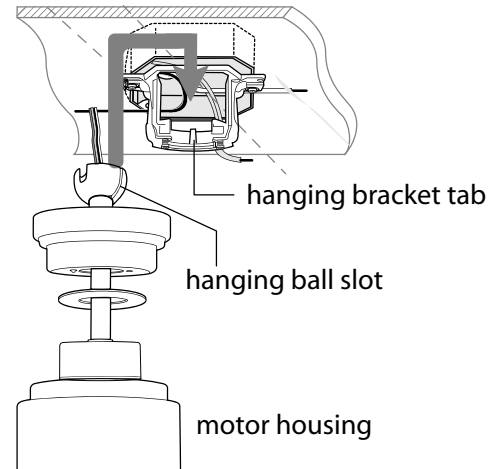


5. Fan Assembly. (cont.)

With the hanging bracket secured to the outlet box and able to support the fan, you are now ready to hang your fan. Grab the fan firmly with two hands. Slide downrod through opening in hanging bracket and let hanging ball rest on the hanging bracket. Turn the hanging ball slot until it lines up with the hanging bracket tab.

WARNING: Failure to align slot in hanging ball with tab in hanging bracket may result in serious injury or death.

Tip: Seek the help of another person to hold the stepladder in place and to help lift the fan up to you once you are set on the ladder.



6. Wiring.

WARNING: Turn off circuit breakers to current fixture from breaker panel and be sure switch is turned to the OFF position.

CAUTION: Be sure outlet box is properly grounded and that a ground wire (**GREEN or Bare**) is present.

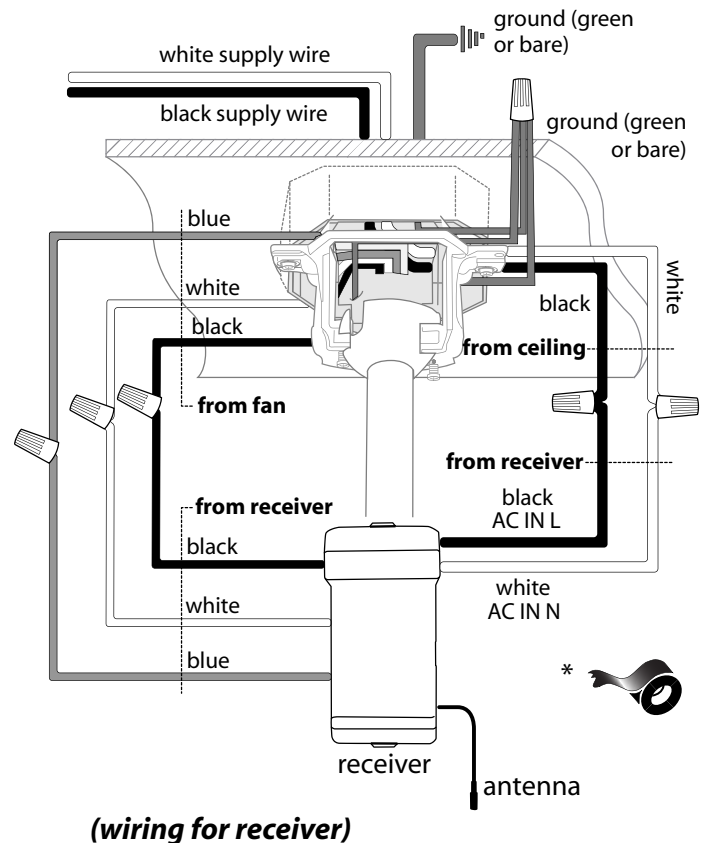
Make sure all electrical connections comply with Local Codes or Ordinances and the National Electrical Code. If you are unfamiliar with electrical wiring or if the house/building wires are different colors than those referred to in the diagram to the right, please use a qualified electrician.

Wire the RECEIVER with wire connectors provided as shown in diagram at right.

Tip: While you are wiring, keep in mind that wires must not obstruct receiver from sliding into hanging bracket.

* Wrap each wire connector separately with electrical tape as an extra safety measure.

Insert receiver (flat side up) into hanging bracket and carefully push taped wire connectors into outlet box. Allow antenna from remote control receiver to hang *outside* of hanging bracket.



(wiring for receiver)

Modifications not approved by the party responsible for compliance could void the user's authority to operate the equipment.

*NOTE: This equipment has been tested and found to comply with the limits for a Class B digital device, pursuant to Part 15 of the FCC Rules. These limits are designed to provide reasonable protection against harmful interference in a residential installation. This equipment generates, uses and can radiate radio frequency energy and, if not installed and used in accordance with the instructions, may cause harmful interference to radio communications. However, there is no guarantee that interference will not occur in a particular installation. If this equipment does cause harmful interference to radio or television reception, which can be determined by turning the equipment off and on, the user is encouraged to try to correct the interference by one or more of the following measures:

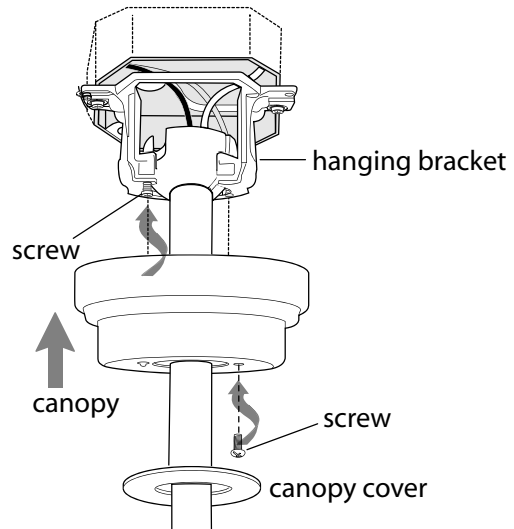
- * Reorient or relocate the receiving antenna.
- * Increase the separation between the equipment and receiver.
- * Connect the equipment into an outlet on a circuit different from that to which the receiver is connected.

Consult the dealer or an experienced radio/TV technician for help.

7. Canopy Assembly.

Locate 2 screws on underside of hanging bracket and remove screw closest to the open end of the hanging bracket. Partially loosen the other screw. Lift canopy to hanging bracket. Place rounded part of slotted hole in canopy over loosened screw in hanging bracket and push up. Twist canopy to lock. Re-insert screw that was removed and then tighten both screws securely.

Slide canopy cover up to canopy, aligning rounded part of slotted holes in canopy cover with screwheads in bottom of canopy. Turn canopy cover to the right (clockwise) until it stops.



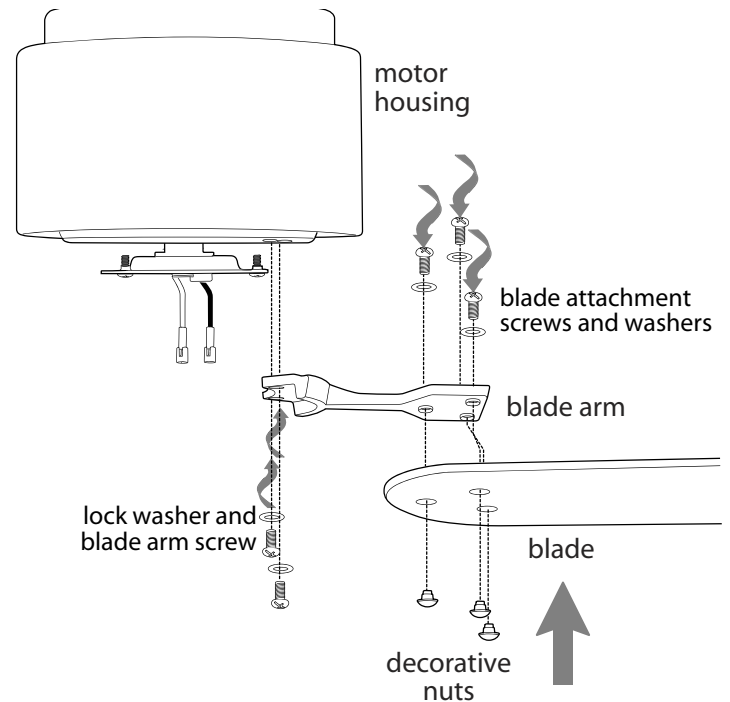
8. Blade Assembly.

WARNING: To reduce the risk of serious bodily injury, DO NOT use power tools to assemble the blades. If overtightened, blades may crack and break.

Time Saver: Washers for blade screws can be set on each blade screw prior to installing blades.

Locate 15 blade attachment screws and washers and 15 decorative nuts in one of the hardware packs. Place blade arm on *TOPSIDE* (ridged side) of blade, aligning holes in blade arm with holes in blade. Insert a decorative nut into center hole from *UNDERSIDE* (flatside) of blade making sure to **completely insert** decorative nut so that the blade arm can be attached correctly. Insert a blade attachment screw (along with washer) from *TOPSIDE* of blade but do not tighten completely. Repeat for remaining holes in blade and then tighten all 3 screws securely with a Phillips screwdriver. Repeat procedure for remaining blades.

Remove blade arm screws and lock washers from underside of fan motor and set aside. [**WARNING:** Do NOT remove the 4 screws located on the outer rim of the underside of the motor housing--doing so or any attempt at doing so will void the warranty.] Align blade arm holes with motor screw holes and attach blade arm with lock washers and blade arm screws. Before securing screws permanently, repeat this procedure with remaining blade arms. Secure all screws.



Note: Tighten blade arm screws twice a year.

9. Light Kit Assembly (Optional).

Remove 1 screw from motor plate on underside of motor housing and partially loosen the other 2 screws. Align slotted holes in center of fitter plate with loosened screws in motor plate, allowing molex connections from motor housing to come through hole in middle of fitter plate. Twist fitter plate to lock. Re-insert screw that was previously removed and securely tighten all 3 screws with a Phillips screwdriver.

Remove 4 screws from outer edge of fitter plate.

If you wish to use your fan WITH the light kit, connect **WHITE** wire from light kit fitter to **WHITE** wire from motor housing. Connect **BLACK** wire from light kit fitter to **BLACK** (or **BLUE**) wire from motor housing. Be sure that the molex connections snap together securely.

Carefully arrange wiring within the fitter plate. Align holes in light kit fitter with holes in fitter plate. Re-install screws that were previously removed and then securely tighten all 4 screws.

Install 3 candelabra base 40 watt max. bulbs (included).

Important: When replacing bulbs, please allow bulbs and glass shades to cool down before touching.

Align grooves on glass shade with nodules inside of shade fitter and push up gently on glass shade. Twist glass shade completely to the **RIGHT** (clockwise) until glass shade no longer turns. Repeat for each glass shade.

Pull down VERY GENTLY on each glass shade to make sure that glass shades are secure.

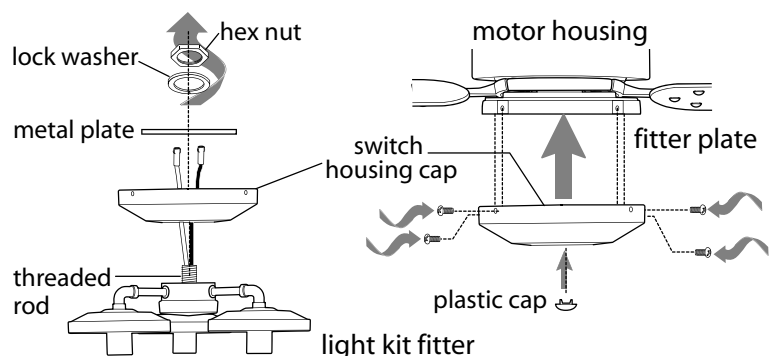
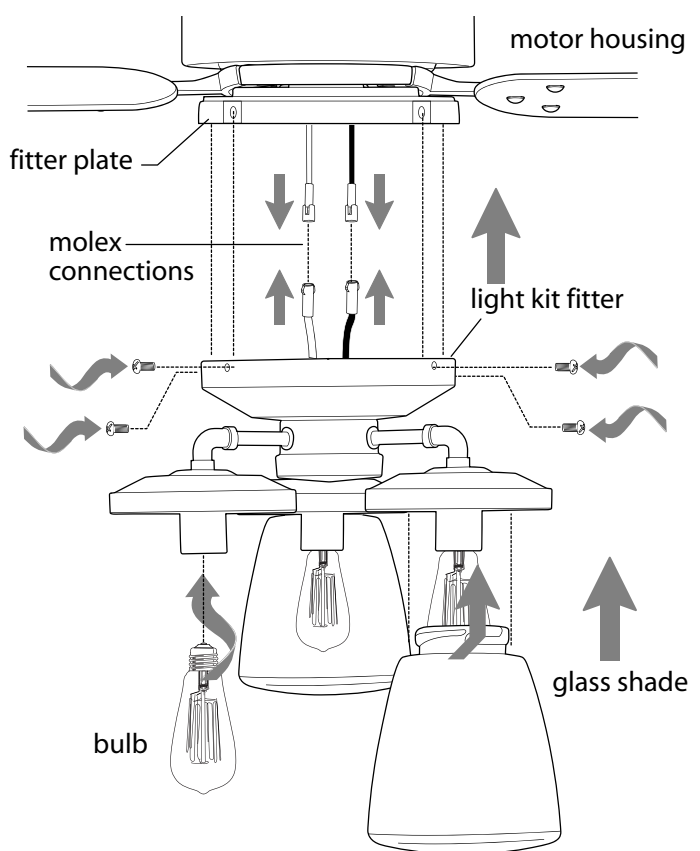
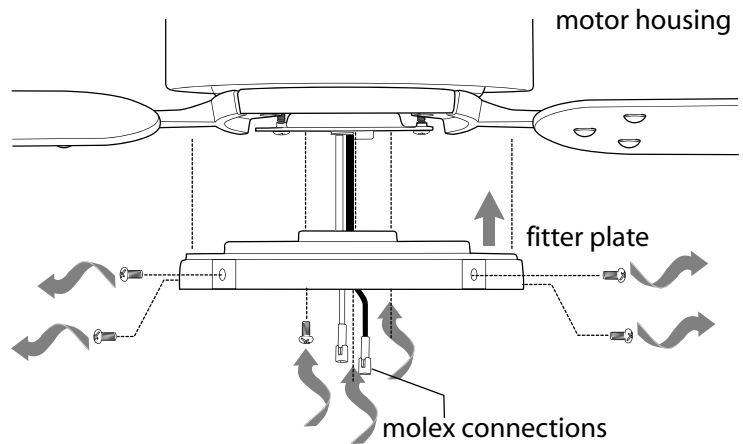
CAUTION: Do NOT overtighten glass shade as glass may crack or break.

Please proceed to Section 10 on the following page to complete installation with the light kit.

If you do NOT wish to use the light kit, remove hex nut, lock washer, metal plate and switch housing cap from threaded rod at top of light kit fitter.

Locate plastic cap in one of the hardware packs and place firmly in hole in middle of switch housing cap.

Align holes in switch housing cap with holes in fitter plate. Re-install screws that were previously removed and then securely tighten all 4 screws.



10. Automated Learning Process./Activating Code.

CAUTION: The remote control transmitter can be programmed to multiple receivers or fans. If this is not desired, turn wall switch off to any other programmable receiver or fan.

This remote control transmitter is equipped with 16 code combinations to prevent possible interference from or to other remote units such as garage door openers, car alarms or security systems. If you find that your fan and light go on and off without using your remote control, simply change the combination code in your remote control (transmitter and wall control).

To set the code, perform these steps:

Remove battery cover from back side of transmitter.

Use a ballpoint pen or a small screwdriver to set the code switches 1 through 4 for the transmitter.

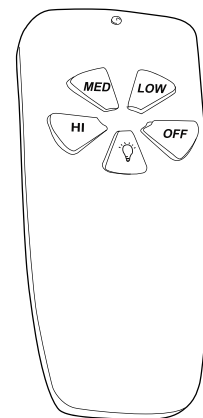
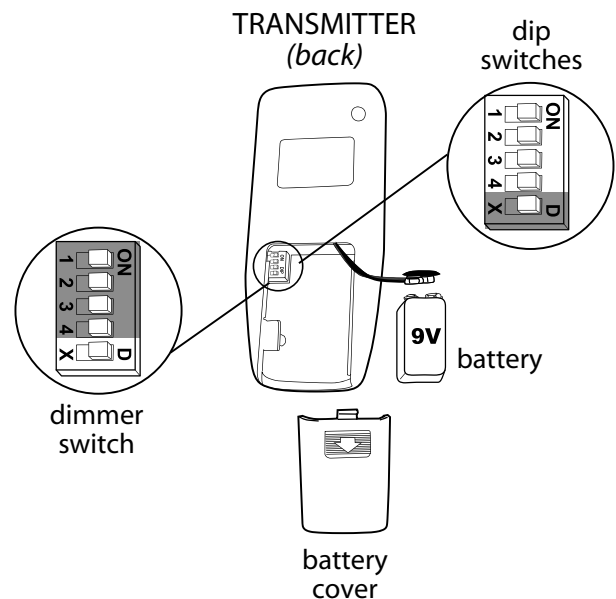
Note: Since this fan comes with incandescent bulbs, the dimmer switch (labeled **D** and **X**) has been pre-set to the "ON" position (**D**). If you do not wish to have dimming capability, please move the switch to the "OFF" position (**X**).

Install 9-volt battery (sold separately) in transmitter.

IMPORTANT: To prevent damage to transmitter, remove the battery if not used for long periods.

Restore electrical power. Within 30 seconds of turning on the wall control, press and hold the "OFF" button on the front of the transmitter for 5 seconds or until the lights on the fan blink twice. Test the fan and light functions to confirm the learning process is complete--see Section 12.

Replace the battery cover.



TRANSMITTER
(front)


11. Remote Control Operation.

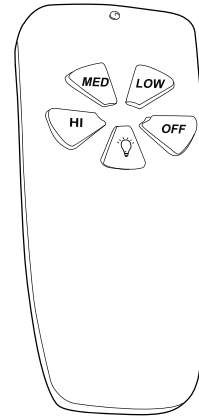
HI button - turns fan to HIGH speed

MED button - turns fan to MEDIUM speed



LOW button - turns fan to LOW speed

OFF button - turns fan OFF

 button - controls LIGHT function; turns light ON/OFF when tapped quickly. Pressing and holding button down for more than 0.7 seconds converts it into a dimmer. Auto resume capability keeps light at same brightness level as the last time it was turned off.



12. Testing Your Fan.

It is recommended that you test fan before finalizing installation. Test fan speeds with the different fan speed buttons on remote control. Test the light ON/OFF function with the  button on the remote control. Test dimmer function by holding down the  button for more than 2 seconds. If the remote control operates all of the functions of the fan and light, battery has been installed correctly (**diagram 1**). If fan and/or light does not function, please refer to "Troubleshooting" section to solve any issues before contacting Customer Service.

Turn fan completely off *before* moving the reverse switch (located on top of motor housing). Set reverse switch to recirculate air depending on the season:

- LEFT position in summer (**diagram 2**)

- RIGHT position in winter (**diagram 3**)

A ceiling fan will allow you to raise your thermostat setting in summer and lower your thermostat setting in winter without feeling a difference in your comfort.

Important: Reverse switch must be set either *completely to the LEFT* or *completely to the RIGHT* for fan to function. If the reverse switch is set in the *middle* position (**diagram 4**), fan will not operate.

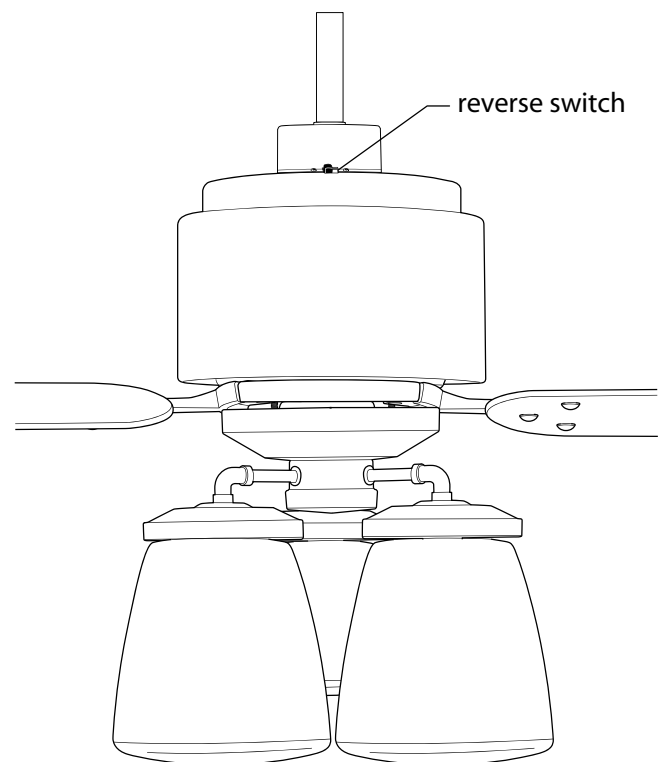


diagram 1

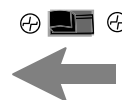


diagram 2



diagram 3



diagram 4

Troubleshooting.

WARNING: Failure to disconnect power supply prior to troubleshooting any wiring issues may result in serious injury.

Problem: Fan fails to operate.

Solutions:

1. Check wall switch to fan.
2. Verify that reverse switch is set completely in either direction.
3. Verify that receiver is wired properly.
4. Check to be sure fan is wired properly.
5. Check that red light on remote control transmitter turns on when a button is pressed indicating that the battery is good.
6. Learning process between fan and remote control transmitter may not have been successful and code was not activated. Turn off power, remove battery cover from back of transmitter, and repeat instructions in last two paragraphs of Section 10 (page 8).

Problem: Light kit (optional) not lighting.

Solutions:

1. Check wall switch to fan.
2. Check that bulbs are installed correctly.
3. Check that wires in canopy are wired properly.
4. Learning process between fan and remote control transmitter may not have been successful and code was not activated. Turn off power, remove battery cover from back of transmitter, and repeat instructions in last two paragraphs of Section 10 (page 8).

Problem: Fan operates but light fails (if applicable).

Solutions:

1. Check that bulbs are installed correctly.
2. Check that wires in canopy are wired properly.
3. Check to be sure molex connections in light kit fitter are connected properly.
4. Replace defective bulbs with same type of bulb.

Problem: Fan and light fail to operate with remote control.

Solutions:

1. Check battery power to remote control.
2. Learning process between fan and remote control transmitter may not have been successful and code was not activated. Turn off power, remove battery cover from back of transmitter, and repeat instructions in last two paragraphs of Section 10 (page 8).

Problem: Lighting source (up-light, down-light or both) not functioning.

Solution:

Wattage Limiting Device has interrupted the flow of electricity to the light source. Ensure bulbs total no more than 190W in the light source.

Problem: Fan wobbles.

Solutions:

1. Use the balancing kit in one of the hardware packs. *If no blade balancing kit is provided, please call Customer Support, 1-800-527-1292, to request one.*
2. Check to be sure set screw(s) on motor housing yoke is (are) tightened securely.
3. Check to be sure set screw on hanging ball is tightened securely.

Warranty.

LITEX LIFETIME LIMITED WARRANTY:

LITEX INDUSTRIES, LTD. warrants this fan to the original household purchaser for indoor use under the following provisions:

1-YEAR WARRANTY: LITEX INDUSTRIES, LTD. will replace or repair any fan which has faulty performance due to a defect in material or workmanship. Contact Customer Service at **1-800-527-1292** to arrange for return of fan. Return fan, shipping prepaid, to Litex Industries, Ltd. We will repair or ship you a replacement fan, and we will pay the return shipping cost.

5-YEAR WARRANTY: LITEX INDUSTRIES, LTD. will repair or replace, at no charge to the original purchaser, any fan motor that fails to operate satisfactorily when failure results from normal use.

RETURN FAN MOTOR ONLY, shipping prepaid, to Litex Industries. We will repair or ship purchaser a replacement motor and Litex will pay the return shipping cost.

6-YEAR to LIFETIME LIMITED WARRANTY: LITEX INDUSTRIES, LTD. will repair the fan, at no charge to the original purchaser for labor only, if the fan motor fails to operate satisfactorily when failure results from normal use. Parts used in the repair will be billed to the purchaser at prevailing prices at time of repair.

The purchaser shall be responsible for all costs incurred in the removal, reinstallation and shipping of the product for repairs.

This warranty does not apply when damage from mechanical, physical, electrical or water abuse results in causing the malfunction. Deterioration of finishes or other parts due to time or exposure to salt air is specifically exempted under this warranty.

Neither Litex Industries nor the manufacturer will assume any liability resulting from improper installation or use of this product. In no case shall the company be liable for any consequential damages for breach of this, or any other warranty expressed or implied whatsoever. This limitation as to consequential damages shall not apply in states where prohibited.

Parts Replacement.

For parts and information, please refer to "Parts Inventory" on page 2.

Litex Customer Support:

1-800-527-1292

LITEX 
INDUSTRIES