

GB Instruction Manual

Dear Customer,

If you follow the recommendations contained in this Instruction Manual, your appliance will give you constant high performance and will remain efficient for many years to come.

CONTENTS

RECOMMENDATIONS AND SUGGESTIONS	3
CHARACTERISTICS	4
INSTALLATION	5
USE	7
MAINTENANCE	8

RECOMMENDATIONS AND SUGGESTIONS

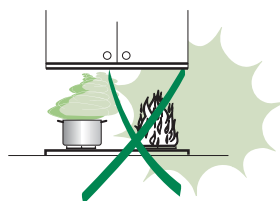
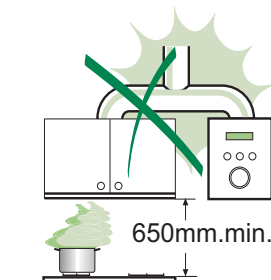
INSTALLATION

- The manufacturer will not be held liable for any damages resulting from incorrect or improper installation.
- The minimum safety distance between the cooker top and the extractor hood is 650 mm.
- Check that the mains voltage corresponds to that indicated on the rating plate fixed to the inside of the hood.
- For Class 1^a appliances, check that the domestic power supply guarantees adequate earthing.
Connect the extractor to the exhaust flue through a pipe of minimum diameter 120 mm. The route of the flue must be as short as possible.
- Do not connect the extractor hood to exhaust ducts carrying combustion fumes (boilers, fireplaces, etc.).
- If the extractor is used in conjunction with non-electrical appliances (e.g. gas burning appliances), a sufficient degree of aeration must be guaranteed in the room in order to prevent the backflow of exhaust gas. The kitchen must have an opening communicating directly with the open air in order to guarantee the entry of clean air.



USE

- The extractor hood has been designed exclusively for domestic use to eliminate kitchen smells.
- Never use the hood for purposes other than for which it has been designed.
- Never leave high naked flames under the hood when it is in operation.
- Adjust the flame intensity to direct it onto the bottom of the pan only, making sure that it does not engulf the sides.
- Deep fat fryers must be continuously monitored during use: overheated oil can burst into flames.
- The hood should not be used by children or persons not instructed in its correct use.

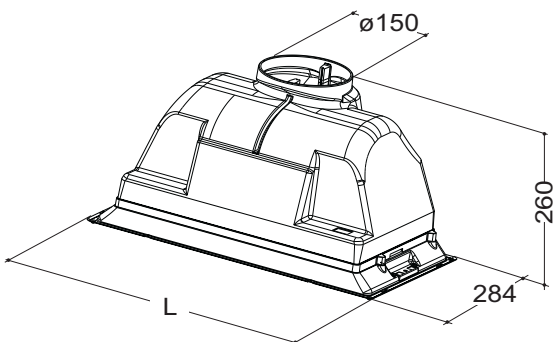


MAINTENANCE

- Switch off or unplug the appliance from the mains supply before carrying out any maintenance work.
- Clean and/or replace the Filters after the specified time period.
- Clean the hood using a damp cloth and a neutral liquid detergent.

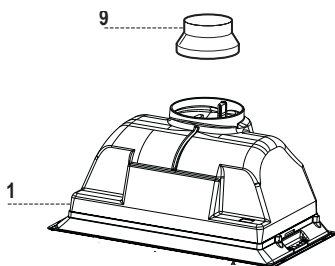
CHARACTERISTICS

Dimensions



Hood Type	52	70
L1	522	702

Components



Ref.	Q.ty	Product Components
1	1	Hood Body, complete with: Controls, Light, Filters
9	1	Reducer Flange $\varnothing 150-120$ mm

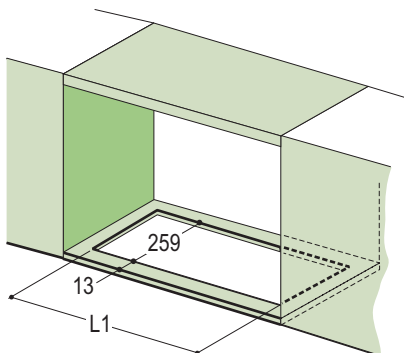
Q.ty	Documentation
1	Instruction Manual

INSTALLATION

Drilling the Support surface and Fitting the Hood

Make a rectangular opening on the base of the hanging unit, leaving a minimum of 13 mm from the outer edges.

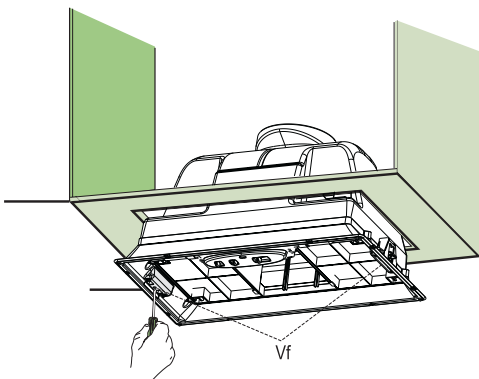
Hood Type	52	70
L1	497	677



SNAP-ON FITTING

For hoods with snap-on side supports only, set up for a support panel thickness of between 15 mm and 30 mm.

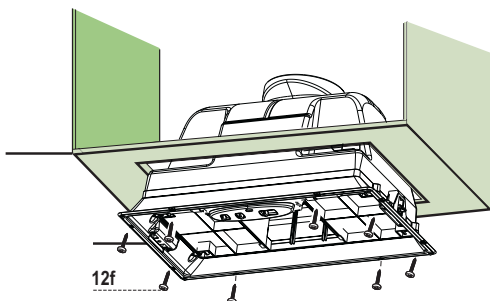
- Insert the hood until the side supports snap into place.
- Lock in position by tightening the screws **Vf** from underneath the hood.



SCREW FITTING

For hoods without snap-on side supports only.

- Fix the hood to the hanging unit using the screws **12f** (3.5x16 self-threading) provided.

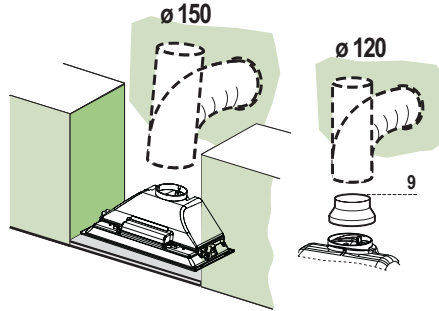


Connections

DUCTED VERSION AIR EXHAUST SYSTEM

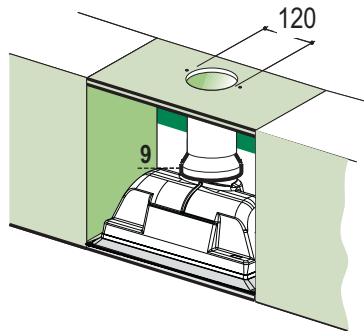
When installing the ducted version, connect the hood to the chimney using either a flexible or rigid pipe \varnothing 120 or 150 mm, the choice of which is left to the installer.

- To install a \varnothing 120 mm air exhaust connection insert the reducer flange 9 on the hood body outlet.
- Fix the pipe in position using sufficient pipe clamps (not supplied).
- Remove any activated charcoal filters.



RECIRCULATION VERSION AIR OUTLET

- Cut a hole \varnothing 120 mm in the wall unit over the hood.
- Insert the reducer flange 9 on the hood body outlet.
- Connect the hood body outlet to the top part of the wall unit using a rigid or flexible pipe \varnothing 120 mm, to be selected by the installer.
- Fix the pipe in position using sufficient pipe clamps (not supplied).
- Ensure that the activated charcoal filters have been inserted.

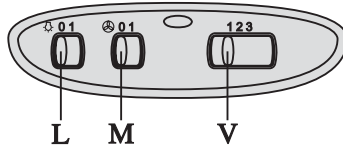


ELECTRICAL CONNECTION

- Connect the hood to the mains through a two-pole switch having a contact gap of at least 3 mm.
- When opening the sliding carriage for the first time after installing the hood, pull it out briskly until it clicks.

USE

Control Panel



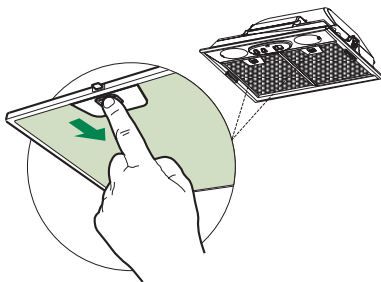
L	Light	Switches the lighting system on and off
M	Motor	Switches the extractor motor on and off
V	Speed	Sets the operating speed of the extractor: 1.Low speed, used for a continuous and silent air change in the presence of light cooking vapour. 2.Medium speed, suitable for most operating conditions given the optimum treated air flow/noise level ratio. 3.Maximum speed, used for eliminating the highest cooking vapour emission, including long periods

MAINTENANCE

Grease filters

CLEANING METAL SELF-SUPPORTING GREASE FILTERS

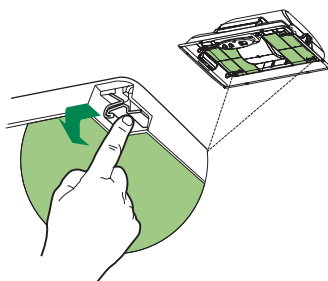
- The filters must be cleaned every two months of operation, or more frequently with heavy usage, and can be washed in a dishwasher.
- Remove the filters one at a time, after disconnecting the relative fastening elements.
- Wash the filters, taking care not to bend them. Allow them to dry before refitting.
- When refitting the filters, make sure that the handle is visible on the outside.



Odour filters (Recirculation version)

REPLACING ACTIVATED CHARCOAL FILTERS

- These filters are not washable and cannot be regenerated, and must be replaced approximately every four months of operation, or more frequently with heavy usage.
- Remove the grease filters.
- Remove the saturated activated carbon filters by releasing the fixing hooks.
- Fit the new filters by hooking them into their seating
- Replace the grease filters.

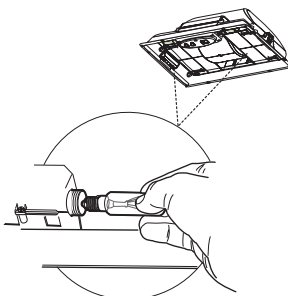


Lighting

LIGHT REPLACEMENT


40 W incandescent light

- Remove the metal grease filters, or open the filter retaining grill
- Unscrews the bulbs and replace them with new ones having the same characteristics.
- Replace the metal grease filters, or close the filter retaining grill.





Dir. 89/336/CEE
73/23/CEE
93/68/CEE

The symbol  on the product or on its packaging indicates that this product may not be treated as household waste. Instead it shall be handed over to the applicable collection point for the recycling of electrical and electronic equipment. By ensuring this product is disposed of correctly, you will help prevent potential negative consequences for the environment and human health, which could otherwise be caused by inappropriate waste handling of this product. For more detailed information about recycling of this product, please contact your local city office, your household waste disposal service or the shop where you purchased the product.