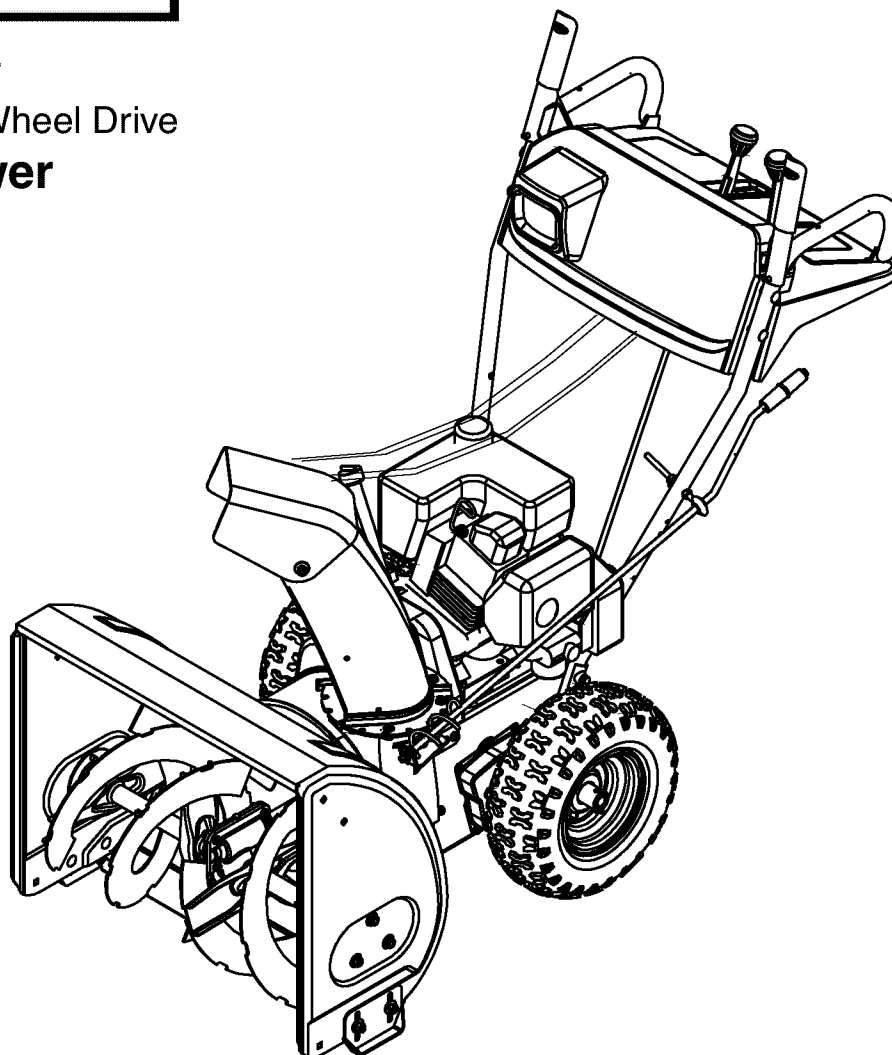


# Owner's Manual



6.5 Horse Power  
24" Two-Stage Wheel Drive  
**Snow Thrower**

Model No.  
**247.888160**



**CAUTION:** Before using this product, read this manual and follow all safety rules and operating instructions.

- Safety
- Assembly
- Operation
- Service
- Maintenance
- Español

**Sears, Roebuck And Co., Hoffman Estates, IL 60179, U.S.A.**

Visit our website: [www.sears.com/craftsman](http://www.sears.com/craftsman)  
Printed in U.S.A.

FORM NO. 770-10559  
(7/2001)

# TABLE OF CONTENTS

Content	Page	Content	Page
Warranty Information .....	2	Service & Adjustment.....	17
Safe Operation Practices .....	3	Off-Season Storage .....	21
Hardware Pack .....	5	Trouble-Shooting .....	22
Assembly .....	6	Parts List .....	24
Operation .....	11	Espanòl .....	39
Maintenance .....	15	Customer Service .....	64

# WARRANTY INFORMATION

## Two -Year Warranty on Craftsman Snow Thrower

For two years from the date of purchase, when this Craftsman Snow Thrower is maintained, lubricated and tuned up according to the instructions in the owner’s manual, Sears will repair, free of charge, any defect in material and workmanship.

If this Craftsman snow thrower is used for commercial or rental purposes, this warranty applies for only 30 days from the date of purchase.

**This warranty does not cover:**

Expendable items which become worn during normal use, such as skid shoes, shave plate and spark plugs.

Repairs necessary because of operator abuse or negligence, including bent crankshafts and the failure to maintain the equipment according to the instructions contained in the owner’s manual.

WARRANTY SERVICE IS AVAILABLE BY RETURNING THE CRAFTSMAN SNOW THROWER TO THE NEAREST SEARS SERVICE CENTER/DEPARTMENT IN THE UNITED STATES.

**This warranty applies only while this product is in use in the United States.**

This warranty gives you specific legal rights and you may also have other rights which may vary from state to state.

SEARS, ROEBUCK AND CO., D/817WA, HOFFMAN ESTATES, IL 60179

### PRODUCT SPECIFICATIONS

Horsepower: .....	6.5
Engine Oil .....	SAE 5W30
Capacity.....	21 ounces
Fuel .....	Unleaded Regular
Capacity:.....	4 quarts
Spark Plug: .....	RN4C
Engine:.....	143.026503

### MODEL NUMBER

Model Number	<b>247.888160</b>
Serial Number.....	.....
Date of Purchase .....	.....
Record both serial number and date of purchase and keep in a safe place for future reference.	



---

## SECTION 1: IMPORTANT SAFE OPERATION PRACTICES



This symbol points out important safety instructions which, if not followed, could endanger the personal safety and/or property of yourself and others. Read and follow all instructions in this manual before attempting to operate this machine. Failure to comply with these instructions may result in personal injury. When you see this symbol—**heed its warning**.



**WARNING:** Engine Exhaust, some of its constituents, and certain vehicle components contain or emit chemicals known to State of California to cause cancer and birth defects or other reproductive harm.



**DANGER:** This machine was built to be operated according to the rules for safe operation in this manual. As with any type of power equipment, carelessness or error on the part of the operator can result in serious injury. This machine is capable of amputating hands and feet and throwing objects. Failure to observe the following safety instructions could result in serious injury or death.

### Training

1. Read, understand, and follow all instructions on the machine and in the manual(s) before attempting to assemble and operate. Keep this manual in a safe place for future and regular reference and for ordering replacement parts.
2. Be familiar with all controls and their proper operation. Know how to stop the machine and disengage them quickly.
3. Never allow children under 14 years old to operate this machine. Children 14 years old and over should read and understand the operation instructions and safety rules in this manual and should be trained and supervised by a parent.
4. Never allow adults to operate this machine without proper instruction.
5. Thrown objects can cause serious personal injury. Plan your snow throwing pattern to avoid discharge of material toward roads, bystanders and the like.
6. Keep bystanders, helpers, pets and children at least 75 feet from the machine while it is in operation. Stop machine if anyone enters the area.
7. Exercise caution to avoid slipping or falling, especially when operating in reverse.
7. Never attempt to make any adjustments while engine is running, except where specifically recommended in the operator's manual.
8. Let engine and machine adjust to outdoor temperature before starting to clear snow.
9. To avoid personal injury or property damage use extreme care in handling gasoline. Gasoline is extremely flammable and the vapors are explosive. Serious personal injury can occur when gasoline is spilled on yourself or your clothes which can ignite. Wash your skin and change clothes immediately.
  - a. Use only an approved gasoline container.
  - b. Extinguish all cigarettes, cigars, pipes and other sources of ignition.
  - c. Never fuel machine indoors.
  - d. Never remove gas cap or add fuel while the engine is hot or running.
  - e. Allow engine to cool at least two minutes before refueling.
  - f. Never over fill fuel tank. Fill tank to no more than 1/2 inch below bottom of filler neck to provide space for fuel expansion.
  - g. Replace gasoline cap and tighten securely.
  - h. If gasoline is spilled, wipe it off the engine and equipment. Move machine to another area. Wait 5 minutes before starting the engine.
  - i. Never store the machine or fuel container inside where there is an open flame, spark or pilot light (e.g. furnace, water heater, space heater, clothes dryer etc.).
  - j. Allow machine to cool at least 5 minutes before storing.

### Preparation

1. Thoroughly inspect the area where the equipment is to be used. Remove all door mats, newspapers, sleds, boards, wires and other foreign objects which could be tripped over or thrown by the auger/impeller.
2. Always wear safety glasses or eye shields during operation and while performing an adjustment or repair to protect your eyes. Thrown objects which ricochet can cause serious injury to the eyes.
3. Do not operate without wearing adequate winter outer garments. Do not wear jewelry, long scarves or other loose clothing which could become entangled in moving parts. Wear footwear which will improve footing on slippery surfaces.
4. Use a grounded three wire extension cord and receptacle for all units with electric start engines.
5. Adjust collector housing height to clear gravel or crushed rock surfaces.
6. Disengage all clutch levers before starting the engine.

### Operation

1. Do not put hands or feet near rotating parts, in the auger/impeller housing or discharge chute. Contact with the rotating parts can amputate hands and feet.
2. The auger/impeller clutch lever is a safety device. Never bypass its operation. Doing so, makes the machine unsafe and may cause personal injury.
3. The clutch levers must operate easily in both directions and automatically return to the disengaged position when released.
4. Never operate with a missing or damaged discharge chute. Keep all safety devices in place and working.

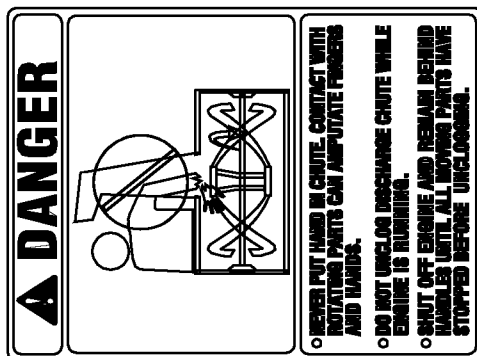
5. Never run an engine indoors or in a poorly ventilated area. Engine exhaust contains carbon monoxide, an odorless and deadly gas.
6. Do not operate machine while under the influence of alcohol or drugs.
7. Muffler and engine become hot and can cause a burn. Do not touch.
8. Exercise extreme caution when operating on or crossing gravel surfaces. Stay alert for hidden hazards or traffic.
9. Exercise caution when changing direction and while operating on slopes.
10. Plan your snow throwing pattern to avoid discharge towards windows, walls, cars etc. To avoid property damage or personal injury caused by a ricochet.
11. Never direct discharge at children, bystanders and pets or allow anyone in front of the machine.
12. Do not overload machine capacity by attempting to clear snow at too fast of a rate.
13. Never operate this machine without good visibility or light. Always be sure of your footing and keep a firm hold on the handles. Walk, never run.
14. Disengage power to the auger/impeller when transporting or not in use.
15. Never operate machine at high transport speeds on slippery surfaces. Look down and behind and use care when in reverse.
16. If the machine should start to vibrate abnormally, stop the engine, disconnect the spark plug and ground it against the engine. Inspect thoroughly for damage. Repair any damage before starting and operating.
17. Disengage all clutch levers and stop engine before you leave the operating position (behind the handles). Wait until the auger/impeller comes to a complete stop before unclogging the discharge chute, making any adjustments, or inspections.
18. Never put your hand in the discharge or collector openings. Always use a clearing tool to unclog the discharge opening.
19. Use only attachments and accessories approved by the manufacturer (e.g. wheel weights, tire chains, cabs etc.).
20. If situations occur which are not covered in this manual, use care and good judgment. Contact your nearest Sears store for assistance or call Customer Service .

## Maintenance And Storage

1. Never tamper with safety devices. Check their proper operation regularly.
2. Disengage all clutch levers and stop engine. Wait until the auger/impeller come to a complete stop. Disconnect the spark plug wire and ground against the engine to prevent unintended starting before cleaning, repairing, or inspecting.
3. Check bolts, and screws for proper tightness at frequent intervals to keep the machine in safe working condition. Also, visually inspect machine for any damage.
4. Do not change the engine governor setting or over-speed the engine. The governor controls the maximum safe operating speed of the engine.
5. Snow thrower shave plates and skid shoes are subject to wear and damage. For your safety protection, frequently check all components and replace with original equipment manufacturer's (O.E.M.) parts only. "Use of parts which do not meet the original equipment specifications may lead to improper performance and compromise safety!"
6. Check clutch controls periodically to verify they engage and disengage properly and adjust, if necessary. Refer to the adjustment section in this operator's manual for instructions.
7. Maintain or replace safety and instruction labels, as necessary.
8. Observe proper disposal laws and regulations for gas, oil, etc. to protect the environment.
9. Prior to storing, run machine a few minutes to clear snow from machine and prevent freeze up of auger/impeller.
10. Never store the machine or fuel container inside where there is an open flame, spark or pilot light such as a water heater, furnace ,clothes dryer etc.
11. Always refer to the operator's manual for proper instructions on off-season storage.

### Your Responsibility:

Restrict the use of this power machine to persons who read, understand and follow the warnings and instructions in this manual and on the machine. The safety labels are given below for your reference.



# HARDWARE PACK

Lay the hardware pieces on the figure here to sort them according to the assembly procedure described later in the manual. Only one unit of each hardware piece is shown although the total number of units per group is listed in parenthesis.

<p><b>A</b></p> <p>Hex Bolt (2) 5/16-18 x 1.75"</p> <p>Handle Tab (2)</p> <p>Hex Bolt (2) 5/16-18 x 0.75"</p> <p>Lock Washer (2)</p>	<p><b>B</b></p> <p>Cupped Washer (4)</p> <p>Carriage Bolt (4) 5/16-18 x 1.50"</p> <p>Hex Nut (4)</p>		
<p><b>D</b></p> <p>Hex Bolt (6) 1/4-20 x 0.75"</p> <p>Flanged Nut (6)</p> <p>Chute Flange Keeper (3)</p>	<p><b>C</b></p> <p>Hex Bolt (2) 1/4-20 x 0.75"</p> <p>Cupped Washer (2)</p> <p>Hex Nut (2)</p>		
<p><b>E</b></p> <p>Flat Washer (2)</p> <p>Hairpin Clip (2)</p> <p>Ferrule (1)</p>	<p><b>Spare</b></p> <p>Shear Bolt (2)*</p> <p>Lock Nut (2)*</p> <p>* Used on auger ** Used on clutch lever</p> <p>Hex Nut (2)**</p>		
<p><b>F</b></p> <p>Cupped Washer</p> <p>Hex Nut (2)</p>	<p><b>H</b></p> <p>Phillips-Head Screw (2)</p> <p>Turn Trigger (2)</p> <p>Sems Nut (2)</p> <p>Cable Tie (2)</p>		
<p><b>G</b></p> <p>Flat Washer (2)</p> <p>Hairpin Clip (1)</p>	<p><b>Notes:</b> For easy identification, dimension of the bolts are given along with description.</p>		

# ASSEMBLY

**IMPORTANT:** This unit is shipped with engine oil in the engine, but without gasoline. After assembly, see OPERATION section of this manual for fuel selection and fill-up.

**NOTE:** To determine right and left sides of your snow thrower, stand behind the unit in the operating position.

Your snow thrower has been assembled at the factory except the handles and the handle panel, the discharge chute assembly, the chute directional control assembly and the shift rod. These parts are shipped loose in the carton.

## Removing From Carton

- Cut the corners of the carton and lay the sides flat on the ground. Remove all packing inserts.
- Remove all loose parts. For a complete list of the loose parts, refer to the following section.
- Move the snow thrower out of the carton.
- Make certain all parts and literature have been removed before discarding the carton.

## Loose Parts

(See Figure 1.)

- a. Handle Panel and Discharge Chute
- b. Right & Left Handles
- c. Electric Start Cord
- d. Chute Directional Control Assembly
- e. Shift Rod
- f. Hardware Pack (shown on page 5)
- g. Owner's Manual (not shown in Figure 1)

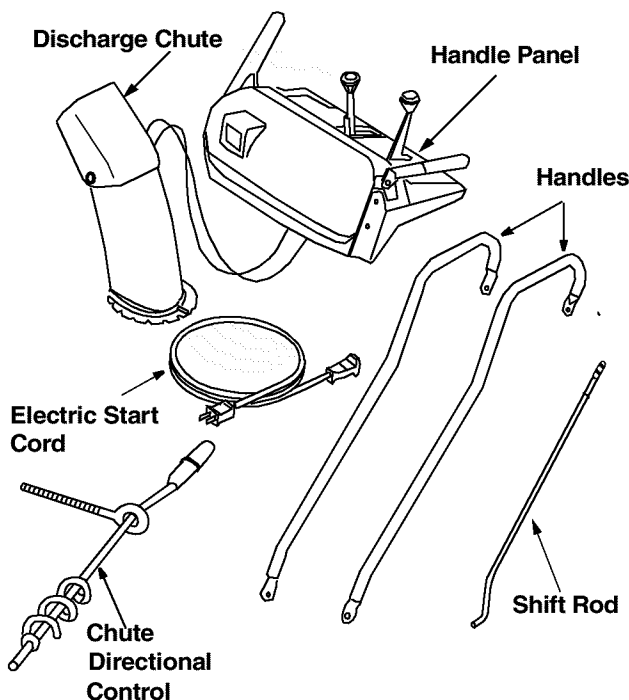


Figure 1

**Assembly Tips:** For easier assembly purposes, remove the chute from the carton and lay it on top of the engine. Do not unwrap the chute till you have installed the handle panel and the clutch cables.

## Tools Required

1. 1/2", 7/16", 3/8" wrenches or a set of adjustable wrenches
2. Set of pliers
3. Set of philips head screw drivers
4. Funnel to fill up gasoline



**WARNING:** Make sure the **spark plug wire is disconnected** and moved away from the spark plug before assembling snow thrower.

## Handle Assembly

- Stretch out control cables and place on the floor. Place the right handle in position with the flat side against the snow thrower. The right and the left handles are clearly identified by R and L stamped respectively on these.
- Secure bottom hole in the handle to the snow thrower using 5/16 x .75" hex bolt and lock washer from the hardware pack (group A on page 5). Do not tighten at this time. See Figure 2.

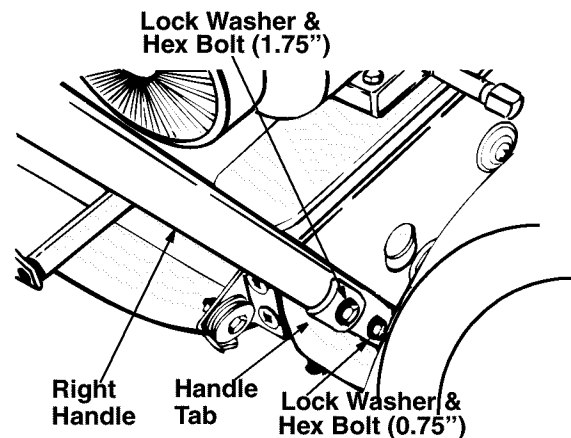


Figure 2

- Place a handle tab over the upper hole in the right handle so that the contour of the handle tab matches that of the handle. See Figure 2. You will find the handle tabs and associated hardware in Group A of the hardware pack.
- Secure handle tab to the snow thrower using hex bolt (5/16 x 1.75" long) and lock washer from the same group in the hardware pack. Do not tighten at this time.
- Attach the left handle in the same manner. Secure but do not tighten at this time.
- Place the handle panel in position between the handles so the ends of the curved part of the

- handles go through the slots in the handle panel.
- While placing the handle panel, make sure to route chute and chute cable between the handles underneath the panel keeping the cable on top of the engine.
- Align the holes in the handle with the holes on two sides of the handle panel. See Figure 3.

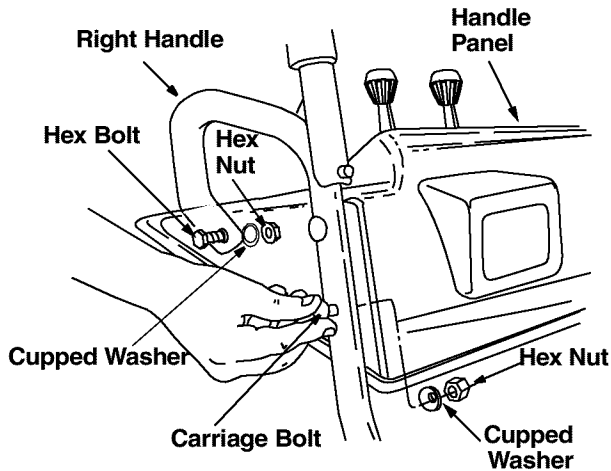


Figure 3

- Attach the handle panel to the handle with two carriage bolts, cupped washers (cupped side against the handle panel) and hex nuts on each side. Align the contour of the carriage bolt head with the handle. See Figure 3. You will find these fasteners in Group B of the hardware pack. Repeat on the other side.
- Align the hole on the curved part of the right handle with the corresponding hole on the right side of handle panel making sure that this end of the handle is firmly placed in the slot on the handle panel. See Figure 3.
- Insert a hex bolt, cupped washer and hex nut from Group C of the hardware pack through these holes as shown in Figure 3. Tighten to secure. Repeat on the left side.

## Discharge Chute

- Place discharge chute assembly over the chute opening with the chute facing front of the unit.

**NOTE:** Make sure that the chute cables are straightened while assembling the chute.

- Place the chute flange keeper (flat side down) beneath lip of chute assembly as shown in Figure 4. You will find the chute flange keepers in group D of the hardware pack.
- Insert hex bolt (1/4-20 x .75") and flange nut from group D up through chute flange keeper and chute assembly as shown in Figure 4. Do not tighten at this time. Rotate chute to install all the flange keepers.

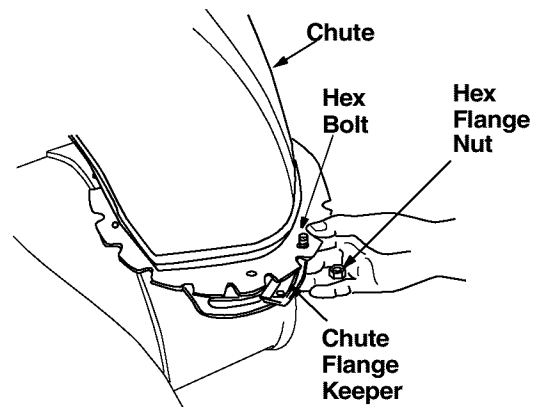


Figure 4

- After assembling all three chute flange keepers, tighten, then back off 1/4 turn to allow easier movement of the chute. Use (2) 7/16" wrenches.

## Chute Directional Control

- Thread one hex nut, from Group F of the hardware pack, about halfway onto eye bolt on the chute directional control.
- Insert eye bolt through the hole provided in the left handle. See Figure 5.
- Secure with cupped washer (cupped side against the handle) and other hex nut from the same group. Do not tighten until after attaching the other end of the chute directional control.

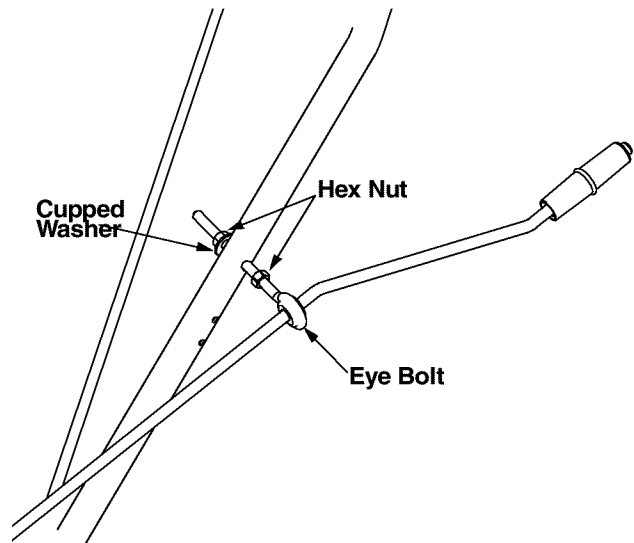


Figure 5

- To align the spiral on the chute directional control, you may have to loosen the carriage bolts and hex lock nuts securing lower chute bracket to the extension on the left side of the chute assembly. See Figure 6.

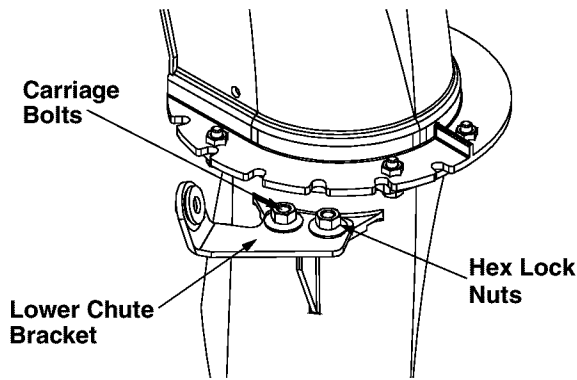


Figure 6

- Place one flat washer, from Group G of hardware pack, on the end of the chute directional control, then insert the end of the control into the hole in the plastic bushing in the lower chute bracket.
- Place another flat washer from the same group on the end of the chute directional control, and insert hairpin clip into hole at the end of the chute directional control. See Figure 7.

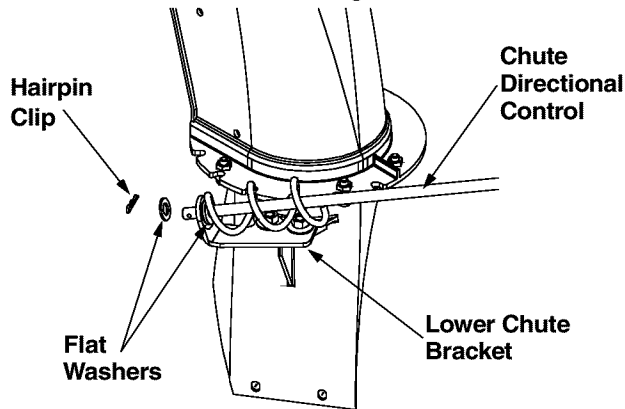


Figure 7

- Adjust the chute bracket so that the spiral on the chute directional control fully engages the teeth on the chute assembly.
- Tighten nuts on the lower chute bracket securely.
- Tighten hex nut on the eye bolt on chute directional control.
- Slip the cables that run from the handle panel to the chute into the cable guide located on top of the engine. See Figure 8.

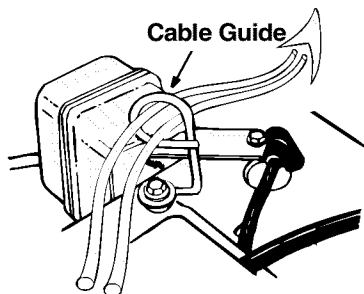


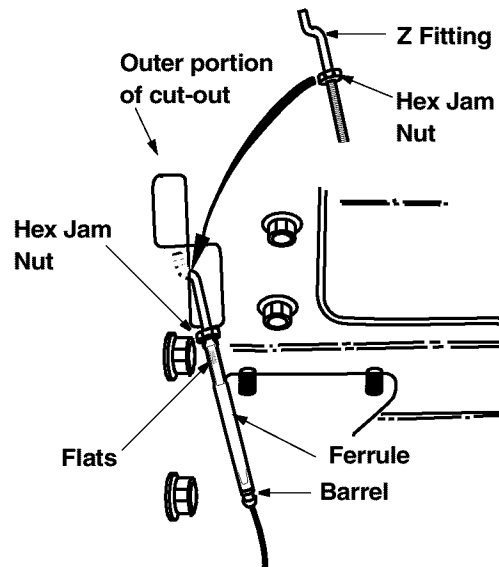
Figure 8

- Tighten all loose hardware on the handle assembly in the following order — first the four hex bolts at the bottom of the handle, then the carriage bolts and lastly any other bolt that may have been left loose.

## Attaching Clutch Cables

The clutch control cables are attached to the snow thrower. For shipping purposes, if the cables are attached to the top of the engine with cable ties, cut the cable ties now. The Z ends of the clutch cables are hooked into the clutch grips on each handle.

- Ensure there is a hex jam nut threaded all the way up the threaded portion of the Z fitting. See Figure 9. Spare hardware is supplied in hardware pack.
- Place the clutch grip in the raised (up) position.



(Viewed from the underside of the handle panel)

Figure 9

- Swing the left auger cable up making sure the cable is routed correctly in the cable roller guides located at the lower rear of the unit.
- Hold the end of the cable at the barrel so the ferrule turns freely without twisting the cable. Thread the ferrule on to the Z fitting. You may have to pull on the cable slightly to relieve tension. Keep the ferrule turning *without twisting* the cable.
- You will reach correct adjustment when there is minimal slack in the cable but it is not tight. Hold the flats on the ferrule with pliers and tighten the jam nut against the ferrule. **CAUTION:** Cables will become loose if you do not tighten the jam nut.



**WARNING:** There must not be any tension on either clutch cable with the drive or auger clutch grip in the disengaged (up) position. These clutches are a safety feature. Do not override their function.

## Attaching Shift Rod

- Place the shift lever in the sixth (6) speed.
- Place the bent end of the shift rod into the hole in the shift arm assembly. See Figure 10. Secure with flat washer and hairpin clip from group E of the hardware pack.
- Thread ferrule (included in group E) from the right side onto the other end of the shift rod till it lines up with the upper hole in the shift lever (beneath the handle panel). While aligning the ferrule, push down on the shift rod and the shift arm assembly as far as it will go.

**NOTE:** You may have to pull the shift lever out of the sixth speed position and move it towards fifth speed position until ferrule slides into the hole without force.

- Once the ferrule slides into the hole, turn it counter-clockwise one more full turn and insert it in the hole in the shift lever. See Figure 10.

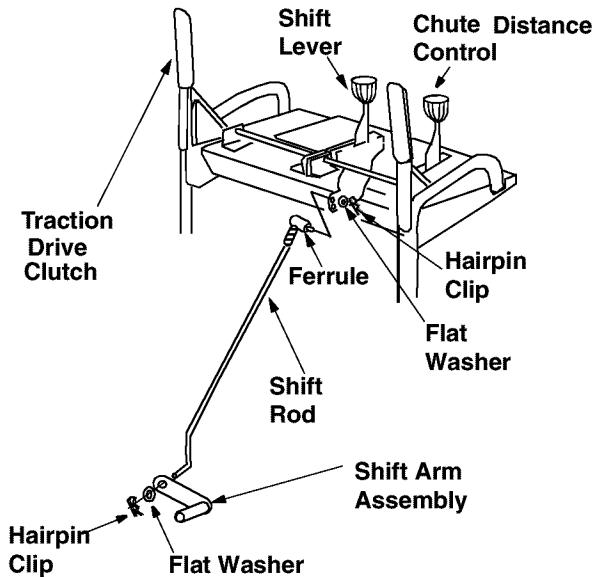


Figure 10

- Secure the ferrule to the shift lever with another flat washer and hairpin clip from same group. See Figure 10.
- Make certain to check for correct adjustment of the shift rod as instructed in the Adjustment section before operating the snow thrower.

## Attaching Turn Triggers

- Check and make sure that the right hand trigger cable is routed in front of the traction drive cable.
- Feed the trigger cable up through the outer side of the slot in the handle panel. *Do not feed the cable through the same side of the slot as the Z fitting.*
- Place the cable barrel fitting into the hole in the trigger. See Figure 11. You can find the triggers and associated hardware in group H of the hardware pack.

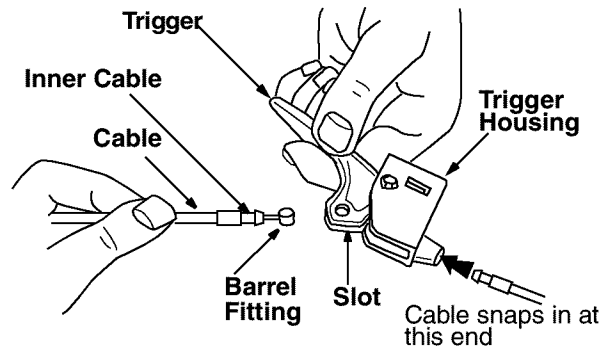


Figure 11

- Pull on the cable and rotate it around the bottom of the trigger, with the inner cable in the slot, until the cable end can be pushed into the trigger housing and snapped tight. See Figure 11.

**NOTE:** When the cable is installed properly, you should not be able to pull the cable out of the trigger housing.

- Place the right turn trigger in position underneath the right handle. Secure with phillips head screw and weld nut from group H of the hardware pack. See Figure 12. You will need a phillips screwdriver for tightening the screw. Repeat on left side.

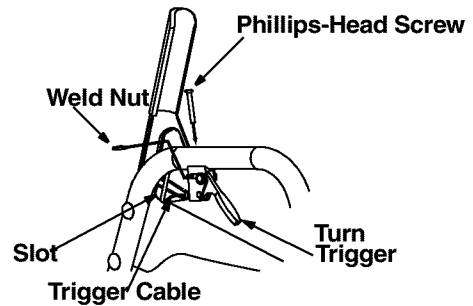


Figure 12

- Secure the right turn trigger cable to the right lower handle using cable tie provided in the hardware pack. Make sure not to wrap the drive cable. See Figure 13.

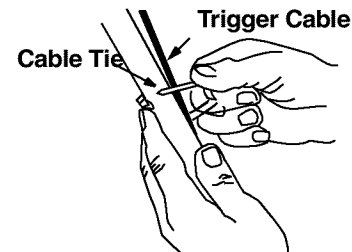


Figure 13

- Secure the left turn trigger cable to the lower handle using the other cable tie. Make sure to route the cable tie *below the auger drive cable* so that when the trigger cable is secured by the cable tie, the auger drive cable is left outside the cable tie. Trim excess ends from each cable tie.

**NOTE:** The right side cable tie must be used to keep cable from coming in contact with the moving shift arm from the transmission.

## Lamp Wiring

- Wrap the wire from the lamp down the right handle. Plug wire into the alternator lead wire under the fuel tank. See Figure 14.

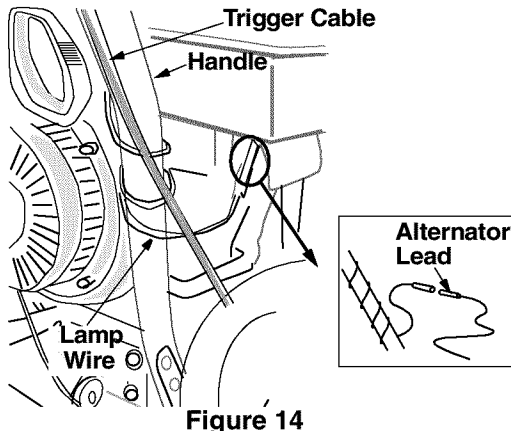


Figure 14

## Final Adjustments

**IMPORTANT:** Check the adjustments as instructed and make any final adjustments necessary *before* operating the unit. Failure to follow these instructions may cause damage to the snow thrower.

### Auger Control

- To check the adjustment of the auger control, push forward the left hand clutch grip until the rubber bumper is compressed. There should be slack in the clutch cable.
- Release the clutch grip. The cable should be straight. Make certain you can depress the auger control grip against the left handle completely.
- If adjustment is necessary, loosen the hex jam nut and thread the cable in (for less slack) or out (for more slack). Recheck adjustment. Tighten the jam nut when correct adjustment is reached.

### Traction Drive Clutch and Shift Lever

- Tip the snow thrower forward so that it rests on the auger housing. Move shift lever to sixth position.
- With the traction drive lever released, spin the snow thrower wheels by hand. The wheels should turn; however, you may feel some resistance.
- Engage the traction drive clutch grip. The wheels should no longer turn.
- Now release the traction drive clutch grip, and spin the wheels again.
- Move the shift lever back to the fast reverse position, then all the way forward again. There should be no resistance in the shift lever, and the wheels should turn.

- If you face resistance when moving the shift lever or the snow thrower wheels stop when they should not, loosen the lock nut on the traction drive cable and unthread the cable one turn.
- If the wheels can still be turned when you engage the traction drive clutch grip, loosen the lock nut on the traction drive cable and thread the cable in one turn.
- Recheck the adjustment and repeat adjustment as necessary. Tighten the jam nut to secure the cable when correct adjustment is reached.

**NOTE:** Refer to page 17 for further details.

### Skid Shoe

The space between the shave plate and the ground can be adjusted. For close snow removal, place skid shoes in the low position. Use middle or high position when area to be cleared is uneven.

**NOTE:** It is not recommended that you operate this snow thrower on gravel as loose gravel can be easily picked up and thrown by the auger causing an injury or damage to the snow thrower.

- If for some reason, you have to operate the snow thrower on gravel, keep the skid shoe in the highest position for maximum clearance between the ground and the shave plate.
- Adjust skid shoes by loosening the four hex nuts and carriage bolts and moving skid shoes to desired position.
- Make certain the entire bottom surface of skid shoe is against the ground to avoid uneven wear on the skid shoes.
- Tighten nuts and bolts securely.

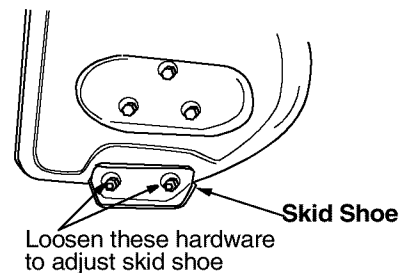


Figure 15

### Tire Pressure (Pneumatic Tires)

- The tires are over-inflated for shipping purposes. Check tire pressure and reduce pressure, if needed, to between 15 to 20 psi. Maintain equal pressure on both wheels of the snow thrower.



**WARNING:** Maximum tire pressure under any circumstance is 30 psi. Equal tire pressure should be maintained at all times. Excessive pressure (over 30 psi) when seating beads may cause tire/rim assembly to burst with force sufficient to cause serious injury.

# OPERATION

Read this owner's manual and safety rules before operating your snow thrower. Compare illustration below with your snow thrower to familiarize yourself with the location of various controls and adjustments.

## Operating Controls

(See Figure 16.)

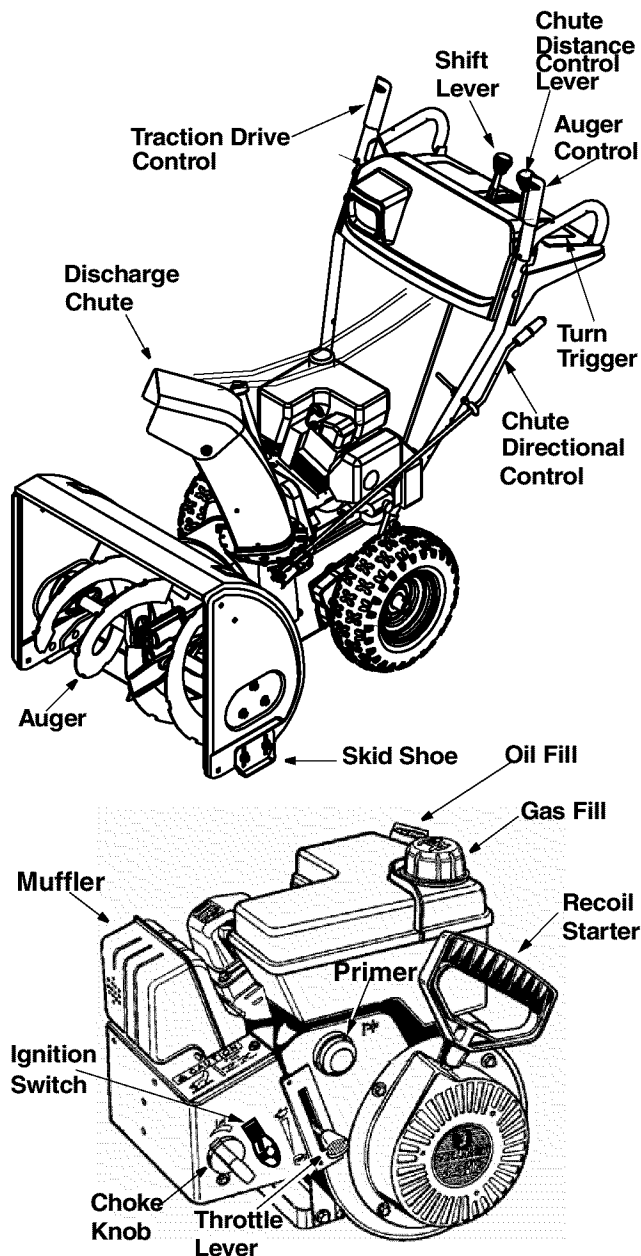


Figure 16

### Chute Directional Control

The chute directional control is located on the left side of the snow thrower. To change direction in which snow is thrown, turn chute directional control as follows:

- Turn *clockwise* to discharge to the left;
- Turn *counterclockwise* to discharge to the right.

### Throttle Control

The throttle control is located on the engine. It regulates the speed of the engine.

### Safety Ignition Switch

The ignition key must be inserted into the switch for the unit to start. Remove the ignition key when the snow thrower is not in use.

### Left and Right Turn Trigger

The left and right turn triggers are located on the underside of the handles and are used to assist in steering your snow thrower. Squeeze the right turn trigger when turning right, squeeze the left turn trigger when turning left. Operate your snow thrower in open areas until you become familiar with these controls.

### Shift Lever

The shift lever is located in the center of the handle panel. It may be moved into one of eight positions:

- a. *Forward*—one of six speeds; position one (1) slowest and position six (6) fastest.
  - b. *Reverse*—two reverse (R) speeds; R<sub>2</sub> faster.
- Use the shift lever to determine ground speed. Do not shift to different speed while the unit is moving.

### Auger Control

The auger control is located on the left handle. Squeeze the auger control against the handle to engage the augers; release to disengage the augers. (Traction drive control must also be released.)

### Traction Drive Control

The traction drive control is located on the right handle. Squeeze the traction drive control to engage the wheel drive; release to stop.

**This same lever also locks the auger control** so that you can turn the chute directional control without interrupting snow throwing process. If the auger control is engaged with the traction drive control engaged, you can release the auger control (on the left handle) and the augers will remain engaged. Release the traction drive control to stop both the augers and the wheel drive. (Auger control must also be released.)

### Chute Distance Control Lever

The distance that snow is thrown can be adjusted by adjusting the upper chute. Push the chute distance control lever forward to move the upper chute down and decrease the distance. Pull the lever back toward the rear to move the upper chute up and increase distance.

## Before Starting Engine

### Fill Gas



**WARNING:** Gasoline is flammable and caution must be used when handling or storing it.

Do not fill fuel tank while the snow thrower is running, when it is hot or when it is in an enclosed area.

Keep your snow thrower away from any open flame or an electrical spark and do not smoke while filling the fuel tank.

Never fill the fuel tank completely. Fill the tank to within 1/4"-1/2" from the top to provide space for expansion of fuel.

Always fill the fuel tank outdoors and use a funnel or spout to prevent spilling.

Make sure to wipe off any spilled fuel before starting the engine.

- Store gasoline in a clean, approved container and keep the cap in place on the container.
- Make sure that the container from which you pour the gasoline is clean and free from rust or other foreign particles.
- Fill fuel tank with clean, fresh, unleaded grade automotive gasoline.
- At the end of the job, empty the fuel tank if the snow thrower is not going to be used for 30 days or longer. See storage instructions on page 21.

**CAUTION:** Experience indicates that alcohol blended fuels (called gasohol) or those using ethanol or methanol can attract moisture which leads to separation and formation of acids during storage.

Acidic gas can damage the fuel system of an engine while in storage.

To avoid engine problems, the fuel system should be emptied before storage for 30 days or longer. Drain the gas tank, start the engine and let it run until the fuel lines and carburetor are empty. Use fresh fuel next season. See storage Instructions for additional information.

Never use engine or carburetor cleaner products in the fuel tank or permanent damage may occur.

### To Start Engine



**WARNING:** Be sure **no one other than the operator** is standing near the snow thrower while starting or operating. **Do not operate** this snow thrower unless the discharge chute assembly has been properly installed and is secured.

### A. Electric Starter

- For location of all the engine controls referred to in this section, see Figure 16.
- Before starting, make sure that the engine has sufficient oil. The snow thrower engine is equipped with a 120 volt A.C. electric starter and recoil starter. The electric starter is equipped with a three-wire power cord and plug and is designed to operate on 120 volt AC household current. Follow all instructions carefully.

#### Cold Start

**NOTE:** *If the unit shows any sign of motion (drive or augers) with the clutch grips disengaged, shut the engine off immediately. Readjust as instructed in the "Final Adjustments" section on page 10.*



**WARNING:** The electric starter must be properly grounded at all times to avoid the possibility of electric shock to the operator.

- Determine whether your house wiring is a three-wire grounded system. Ask a licensed electrician if you are not certain.



**WARNING:** If your house wiring system is not a three-wire grounded system, do not use this electric starter under any conditions.

- If your house wiring system is grounded and a three-hole receptacle is not available at the point the snow thrower starter will normally be used, one should be installed by a licensed electrician.
- When connecting the power cord, always connect cord to starter on engine first, then plug the other end into a three-hole grounded receptacle.
- When disconnecting the power cord, always unplug the end from the three-hole, grounded receptacle first.
- **Attach** spark plug wire to spark plug.
- Make sure that the auger drive and the traction drive levers are in the RELEASED position.
- Move throttle control lever to FAST position.
- Remove the keys from the plastic bag. Push key into the ignition slot. Make sure it snaps into place. *Do not turn key.* Keep second key in a safe place.
- Rotate the choke knob to FULL choke position.
- Connect power cord to the switch box on engine.
- Plug the other end of the power cord into a three-hole, grounded 120 volt A.C. receptacle.



**WARNING:** Do **not** use the primer while starting the engine with an electric starter.

- Push down on the starter button until the engine starts. Do not crank for more than 10 seconds at a time. This electric starter is thermally protected. If overheated, it will stop automatically and can be

restarted only when it has cooled to a safe temperature (a wait of about 5 to 10 minutes).

- When the engine starts, release the starter button and slowly rotate the choke to OFF position. If the engine falters, rotate the choke to FULL and then gradually to OFF.
- Disconnect the power cord from the receptacle first and then from the switch box on the engine.
- Allow the engine to warm up for a few minutes because the engine will not develop full power until it reaches operating temperature.
- Operate the engine at full throttle (FAST) when throwing snow.

#### Warm Start

- If restarting a warm engine, rotate choke to OFF instead of FULL and press the starter button.

### B. Recoil Starter

Make sure that the engine has sufficient oil and the auger drive and the traction drive levers are released.

- Move throttle control to FAST position.
- Push key into the ignition slot so that it snaps into place. Do not turn key. Remove plastic bag and keep the second key in a safe place.
- Rotate choke control to FULL choke position.
- Push the primer button while covering the vent hole. Remove your finger from the primer between primes. Do not prime if temperature is above 50° F; prime two times between 50° F and 15° F; and prime four times below 15° F.
- Pull the starter handle rapidly. Do not allow the handle to snap back, but allow it to rewind slowly while keeping a firm hold on the starter handle.
- As the engine warms up and begins to operate evenly, rotate the choke knob slowly to OFF position. If the engine falters, return to FULL choke, then slowly move to OFF choke position.

- Allow the engine to warm up for a few minutes because the engine will not develop full power until it reaches operating temperature.
- Operate the engine at full throttle (FAST) when throwing snow.

#### Warm Start

- If restarting a warm engine after a temporary shut down, rotate choke to OFF instead of FULL and do *not* prime. Press the starter button.

#### Frozen Recoil Starter

If the starter is frozen and will not turn the engine, proceed as follows:

- Pull as much rope out of the starter as possible.
- Release the starter handle and let it snap back against the starter.
- If the engine still fails to start, repeat the first two steps. If continued attempts do not free starter, follow the electric starter procedures to start.
- Avoid possible freezing of recoil starter and the engine controls.

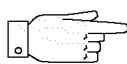
## Operating Snow Thrower

### To Engage Drive

- With the engine running near top speed, move shift lever to one of six FORWARD positions or two REVERSE positions. Select a speed appropriate for the snow conditions that exist. Use slower speeds until you are familiar with the operation of the snow thrower.
- Squeeze the traction drive clutch grip against the right handle and the snow thrower will move. Release it and the drive motion will stop.

### To Engage Augers

- To engage the augers and start snow throwing, squeeze the left hand auger clutch grip against the left handle. Release to stop augers.



## Starting Instructions At A Glance

Snow Thrower	Spark Plug wire	Drive Levers	Throttle control	Ignition Key	Choke	Power Cord	Primer	Starter	After starting
Electric Starter	Connect	Release	Move to FAST	Push to snap in	Move to FULL	Connect to source	—	Push button	1. Release button 2. Move Choke to Off 3. Disconnect cord
Recoil Starter	Connect	Release	Move to FAST	Push to snap in	Move to FULL	—	Prime	Pull handle	1. Release handle 2. Move Choke to Off.

- While the auger control is engaged, squeeze the traction drive control to move, release to stop. **Do not** shift speeds while the drive is engaged.

**NOTE:** *This same lever also locks the auger control so you can turn the chute directional control without interrupting the snow throwing process.*

- Release the auger control; the interlock mechanism should keep the auger control engaged until the traction drive control is released.
- Release the traction drive control to stop both the augers and the wheel drive.



**WARNING:** To stop the auger, both levers must be released.

## To Throw Snow

**CAUTION:** *Check the area to be cleared for foreign objects. Remove, if any.*

- Start the engine following Starting instructions.
- Rotate the discharge chute to the desired direction, away from bystanders and/or buildings. Move the chute distance control forward or backward to adjust the distance the snow is to be thrown.
- Select the speed according to snow condition.

**CAUTION:** *Never move the shift lever without first releasing the drive clutch.*

- Engage the auger control and traction drive control levers following instructions above.
- The interlock feature will allow you to remove your left hand from the auger control lever.
- When clearing the first pass through the snow, control the traction speed of the snow thrower according to the depth and condition of snow.
- To turn the unit left, squeeze left trigger; to turn right, squeeze right trigger.
- On each succeeding pass, readjust the chute deflector to the desired position and slightly overlap the previously cleared path.
- After the area is cleared, stop the snow thrower following instructions given below.

## Operating Tips

**NOTE:** *Allow the engine to warm up for a few minutes as the engine will not develop full power until it reaches operating temperature.*



**WARNING:** The temperature of muffler and the surrounding areas may exceed 150° F. Avoid these areas.

- For most efficient snow removal, remove snow immediately after it falls.
- Discharge snow downwind whenever possible. Slightly overlap each previous swath.
- Set the skid shoes 1/4" below the scraper bar for normal usage. The skid shoes may be adjusted upward for hard-packed snow.

**NOTE:** *It is not recommended that you operate this snow thrower on gravel as loose gravel can be easily picked up and thrown by the auger causing personal injury and/or damage to the snow thrower.*

- If for some reason, you have to operate the snow thrower on gravel, keep the skid shoe in the highest position for maximum clearance between the ground and the shave plate.
- Clean the snow thrower thoroughly after each use.

## Before Stopping

- Run engine for a few minutes to help dry off any moisture on engine.
- *To avoid possible freeze-up of the starter, follow these steps:*

### Recoil Starter

- a. With the engine running, pull the starter rope with a rapid, continuous full arm stroke three or four times.

### Electric Starter

- a. Connect power cord to switch box, then to 120 Volt AC receptacle.
- b. While the engine is running, push the starter button and spin the starter for several seconds.
- c. Disconnect power cord from the receptacle first, then from the snow thrower.

**NOTE:** *The unusual sound from pulling the starter rope or from spinning the starter will not harm the engine.*

## To Stop The Snow Thrower

- To stop the wheel, release the traction drive lever on the snow thrower.
- To stop throwing snow, release auger drive lever.
- To stop engine, push throttle control lever to OFF and pull out the key. *Do not turn key.*

# MAINTENANCE

## General Recommendations

- Always observe safety rules when performing any maintenance.
- The warranty on this snow thrower does not cover items that have been subjected to operator abuse or negligence. To receive full value from the warranty, operator must maintain the snow thrower as instructed in this manual.
- Some adjustments will have to be made periodically to maintain your unit properly.
- All adjustments in the Service and Adjustments section of this manual should be checked at least once each season.
- Follow the maintenance schedule given below.
- Periodically check all fasteners and make sure these are tight.



**WARNING:** Always stop the engine and **disconnect** the spark plug wire before performing any maintenance or adjustments.

## Lubrication

For a view of the lubrication points on the snow thrower, see Figure 17.

### Sprocket Shaft

- Lubricate the sprocket shaft with grease at least once a season or after every 25 hours of operation.

**IMPORTANT:** Keep all grease and oil off of the friction wheel and the drive plate.

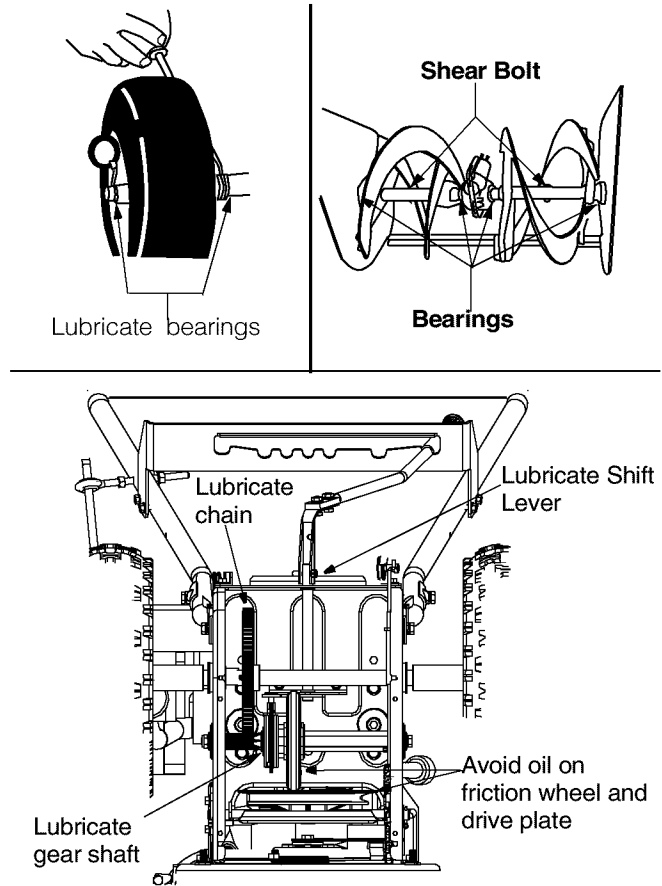


Figure 17: Lubrication Chart

## Customer Responsibilities

MAINTENANCE		SERVICE DATES*					
		Before each use	After each use	First two hours	Every 25 hours	Every 50 hours	Before storage
PRODUCT	Lubricate pivot points			✓		✓	
	Clean snow thrower	✓				✓	
	Clean shave plate			✓			
	Clean skid shoes			✓			
	Check V-belts				✓		
	Check friction wheel rubber			✓			
ENGINE	Check engine oil	✓					
	Change engine oil		✓	✓			
	Check spark plug				✓	✓	
	Check muffler				✓		
	Empty fuel system					✓	

\* Fill in dates as you complete regular service

✓ Check; service if needed

## Shifting Mechanism

- Lubricate the shifting mechanism and pivot points on the shift rod with engine oil at least once a season or after every 25 hours of operation.

## Traction Drive Control

- Lubricate cams on the ends of the control rods, which interlock the traction drive and auger controls, at least once a season or every 25 hours of operation with grease. The cams can be accessed beneath the handle panel.

## Gear Case

- The gear case is lubricated with grease at the factory and does not require checking. If disassembled for any reason, lubricate with two ounces of Shell Alvania grease.

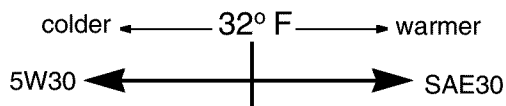
## Bearings

- Once a season lubricate the auger bearings and the bearings on the side of the frame with light oil. See lube chart below

## Engine Maintenance

### Engine Oil

Only use high quality detergent oil rated with API service classification SF, SG or SH. Select the oil's SAE viscosity grade according to the expected operating temperature.



Viscosity Chart

**NOTE:** Although multi-viscosity oils (5W30, 10W30 etc.) improve starting in cold weather, these multi-viscosity oils will result in increased oil consumption when used above 32°F. Check your snow thrower's engine oil level more frequently to avoid possible engine damage from running low on oil.

Refer to the viscosity chart for proper selection of engine oil.

### Checking Oil Level

- Before operating snow thrower, check the oil level.
- With engine on level ground, the oil must be to FULL mark on dipstick.

- Stop engine and wait several minutes before checking oil level. Remove oil fill cap and dipstick.
- Wipe dipstick clean, insert it into oil fill hole and tighten securely.
- Remove dipstick and check. If oil is not up to the FULL mark on dipstick, add oil.

## Changing Oil

Change engine oil after first two hours of operation and every 25 hours thereafter.

In order to change the oil, you will have to first drain the spent engine oil from the engine and then refill with fresh oil.

- Drain oil while engine is warm. Remove oil drain cap located at the bottom of the recoil starter of the engine. Catch oil in a suitable container.
- When engine is drained of all oil, replace drain plug securely.
- Remove the dipstick from the oil fill. For location of the oil fill, see Figure 16. Pour fresh oil slowly through the plug. Replace dipstick.
- Check and make sure that the level of oil is up to the FULL mark on the dipstick.



**WARNING:** Temperature of muffler and nearby areas may exceed 150° F(65°C). Avoid these areas.

## Spark Plug

- Clean area around the spark plug base.
- Remove and inspect the spark plug.
- Replace the spark plug if electrodes are pitted, burned, or the porcelain is cracked. See Figure 18.
- Clean the spark plug and reset the gap to 0.030" at least once a season or every 50 hours of operation. See Figure 18.
- Spark plug replacement is recommended at the start of each season. Refer to engine parts list for correct spark plug type.

**NOTE:** Do not sandblast spark plug. Spark plug should be cleaned by scraping or wire brushing and washing with a commercial solvent.

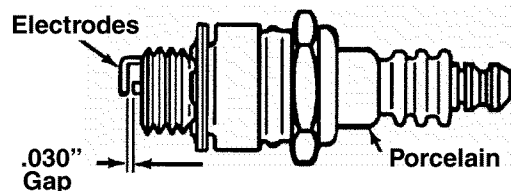


Figure 18

# SERVICE & ADJUSTMENTS



**WARNING:** Always stop the engine of the snow thrower, disconnect spark plug wire and move it away from the spark plug before performing any adjustments or repairs.



**WARNING:** Never attempt to clean the chute or make any adjustments while the engine is running.

## Shave Plate & Skid Shoes

The shave plate and skid shoes on the bottom of the snow thrower are subject to wear. They should be checked periodically and replaced when necessary.

- Remove the four carriage bolts, belleville washers and hex nuts which attach skid shoes to the snow thrower on two sides. See Figure 28.
- Reassemble new skid shoes with the four carriage bolts, belleville washers (cupped side goes against skid shoes) and hex nuts. Make certain the skid shoes are adjusted to be level.
- To remove shave plate, remove the skid shoe and the rest of hardware including carriage bolts, belleville washers and hex nuts which attach shave plate to the snow thrower housing. For location of shave plate, see Figure 28.
- Reassemble new shave plate, making sure heads of the carriage bolts are to the inside of the housing. Reinstall skid shoe. Tighten securely.

## Replacing Belt



**WARNING:** Disconnect the spark plug wire from the spark plug and ground.

### Auger Belts

- Remove the plastic belt cover on the front of the engine by removing the two self-tapping screws. See Figure 19.

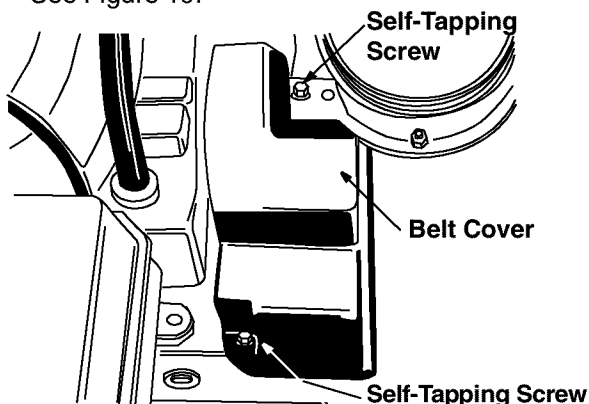


Figure 19

- Disconnect chute directional control assembly at the discharge chute by removing the hairpin clip and the two flat washers. See Figure 20.

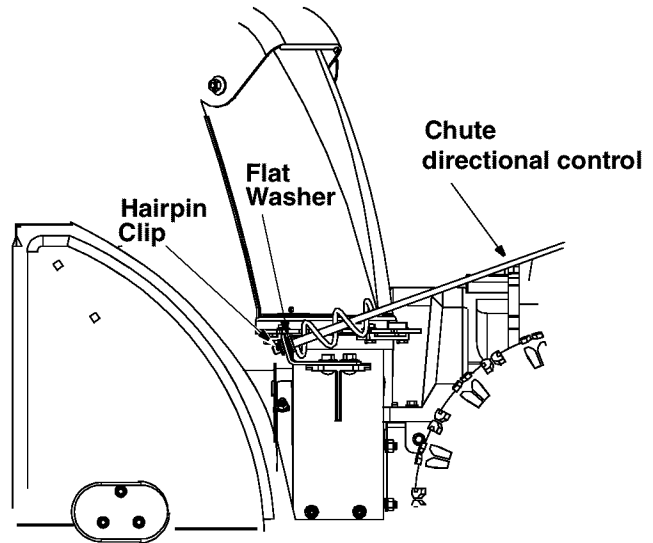


Figure 20

- Remove the six hex nuts and lock washers which attach the auger housing assembly to the frame assembly. See Figure 21 **WARNING:**



**WARNING:** Do not attempt to change the auger belt without the help of an assistant. It is very important that one person, standing at the operating position, firmly hold the snow thrower housing to prevent it from tipping while the other person replaces the belt. Failure to comply may cause injury.

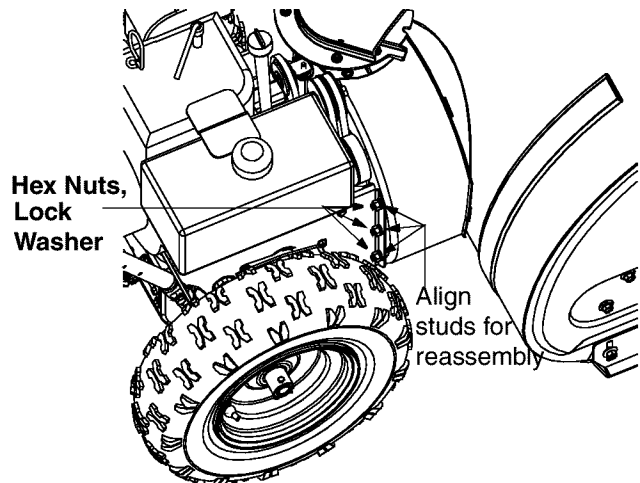


Figure 21

- Standing in the operating position, lift up on the handles and pull the frame assembly towards the rear. The frame and the housing will separate, and

the rear auger belt will come off the pulley. Maintain control of the frame assembly while pulling it.

- Remove the two belts from the two engine pulleys. For location of the pulleys, see Figure 22.

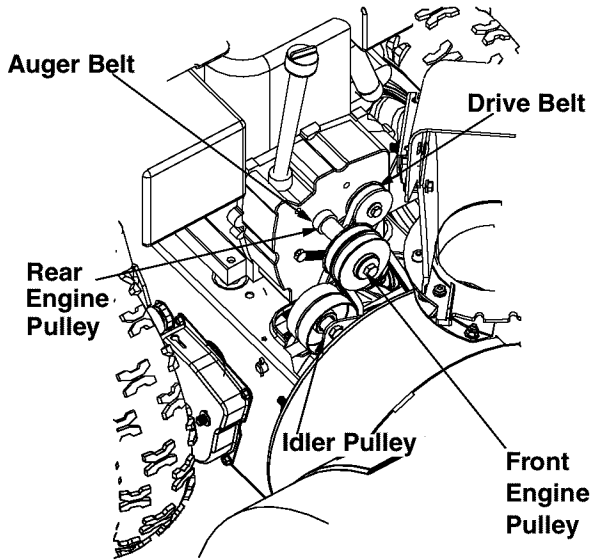


Figure 22

- To remove the front auger drive belt, push the idler pulley to the left. See Figure 23. The belt brake should move outward.
- Lift the front auger drive belt from the front auger pulley.
- Place the new belts on the two auger pulleys making sure that the front auger belt is under the belt brake.
- Route belts under and to the left of the flat idler pulley. Hold the belts upward in this position.

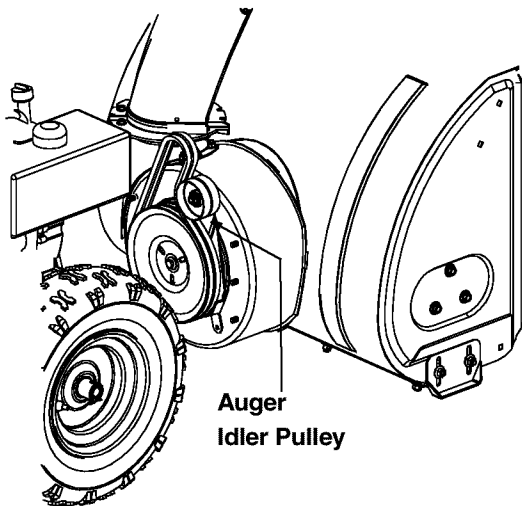


Figure 23

- While lifting up on the handles, bring the frame assembly close to the auger housing, and place the two belts on the front and rear engine pulleys. See Figure 24.

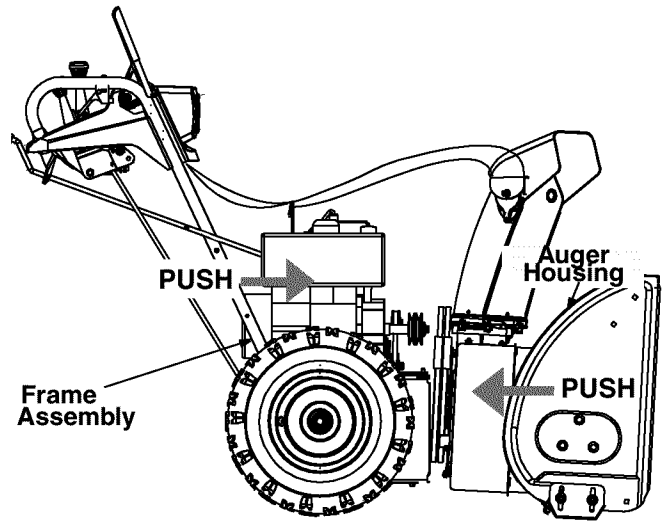


Figure 24

- Level the frame assembly and tip the auger housing forward to align studs with the corresponding holes on both sides of the frame assembly. See WARNING: Figure 21. Push the frame assembly fully on to the studs.

**NOTE:** Use care to avoid pinching the control cable.

- From the frame assembly side, insert six lock washers and hex nuts on to the studs. These pieces of hardware were removed earlier. See WARNING: Figure 21. Tighten the nuts securely.
- Reinstall the belt cover on front of the engine with the two self-tapping screws and flat washers.
- Reattach the chute directional control to the chute assembly with the hairpin clip and flat washer.

**NOTE:** Make sure that the auger cable is routed in front of the belt.

### Drive Belt

- Check drive belt every 50 hours of operation for wear and tear.
- Drain the gasoline from the snow thrower, or place a piece of plastic under the gas cap.
- Remove the plastic belt cover on the front of the engine by removing the two self-tapping screws.
- Tip the snow thrower up and forward, so that it rests on the housing.
- Remove six self-tapping screws from frame cover underneath the snow thrower.
- Pull the idler pulley away from the drive belt and remove the belt from the engine pulley. You will find the idler pulley in front of the engine and under the belt cover that you removed earlier. See Figure 22.
- Working from the underside of the frame, slip belt between the friction wheel and the friction wheel disc. See Figure 25. You may have to twist the belt flat in order to slide it through the clearance between the friction wheel and the friction wheel disc. Remove the belt.
- Install new belt and reassemble.

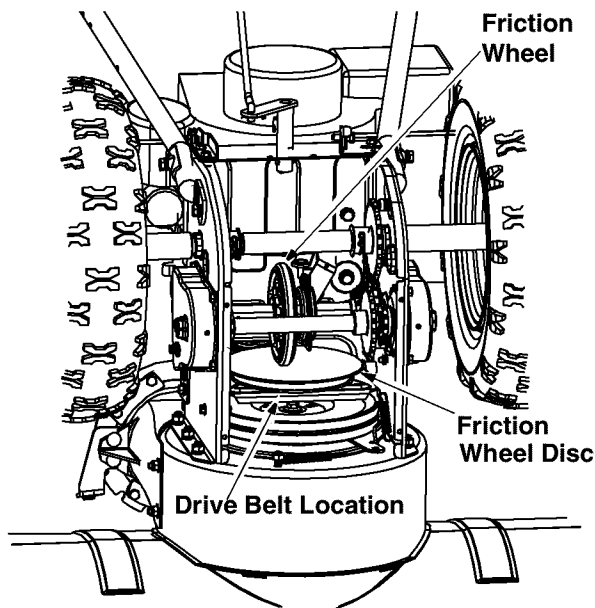


Figure 25

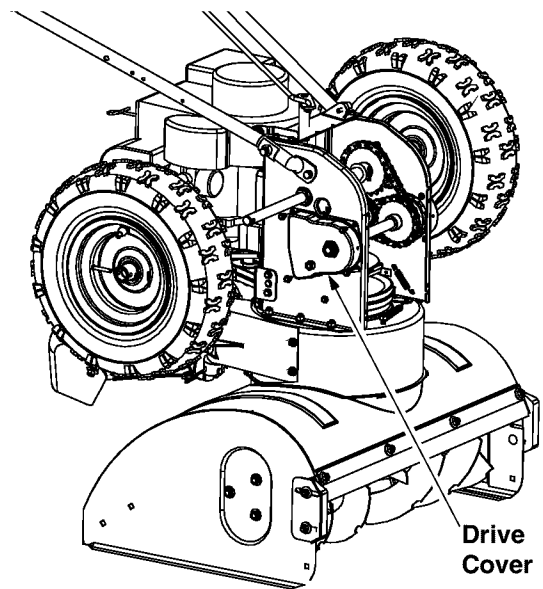


Figure 26

## Friction Wheel Rubber

- Check the rubber on the friction wheel after 25 hours of operation, and periodically thereafter. Replace the rubber if any signs of wear or cracking are found.
- Drain the gasoline from the snow thrower, or place a piece of plastic under the gas cap.
- Tip the snow thrower up and forward, so that it rests on the housing.
- Remove six screws from the frame cover underneath the snow thrower.
- Remove klick pin securing the left wheel, and remove the wheel from the axle.
- Remove the four screws securing the left drive cover to the frame. Remove the drive cover from the side of the frame. See Figure 26.
- Holding the friction wheel assembly, slide the hex shaft out of the left side of the unit. The spacer on the right side of the hex shaft will fall and the sprocket should remain hanging loose in the chain.
- Lift the friction wheel assembly out between the axle shaft and the drive shaft assemblies.
- Remove the six screws from both sides of the friction wheel assembly. Remove friction wheel rubber from between the friction wheel plate.
- Reassemble new friction wheel rubber to the friction wheel assembly, tightening the six screws in rotation and with equal force. It is important to assemble the rubber on the friction wheel equally for proper functioning.

- Insert the pin from the shift arm assembly into the friction wheel assembly and hold assembly in position. See Figure 27.

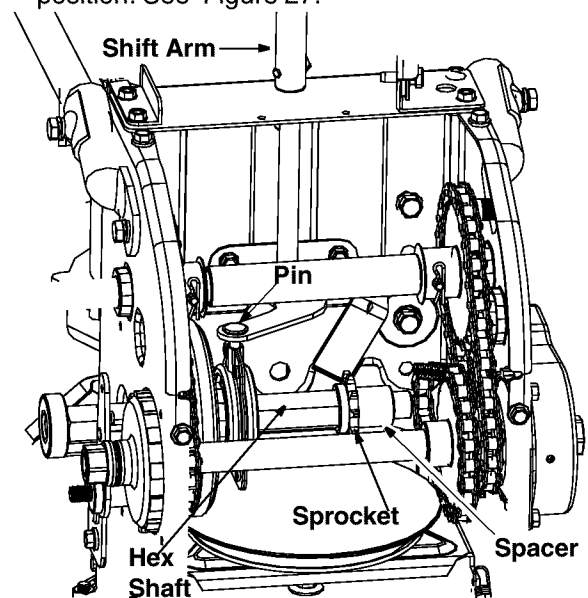


Figure 27

- Slide hex shaft through left side of the housing and the friction wheel assembly.
- Insert the hex shaft through the sprocket and the spacer. See Figure 27. Make certain that chain engages both the large and the small sprocket.

**NOTE:** If the sprocket fell from the snow thrower while removing the hex shaft, place the sprocket on the hex shaft. Position the hex hub of the sprocket toward the friction wheel when sliding the sprocket on to the hex shaft. See Figure 27.

- Align the hex shaft with the right hand bearing and carefully guide the left hand bearing into the left side of the housing.
- Reassemble the drive cover with the four screws that were earlier removed.

**Note:** If you placed plastic under the gas cap, be certain to remove it.

## Augers

The augers are secured to the spiral shaft with two shear bolts and hex lock nuts. See Figure 28. If you hit a foreign object or ice jam, the snow thrower is designed so that the bolts will shear. This type of nut is used where vibration occurs.

- If the augers do not turn, check to see if the bolts have sheared. Two replacement shear bolts (shown in Figure 28 inset) and hex lock nuts have been provided with the snow thrower. Since lock nuts cannot be threaded onto a bolt by hand, use a wrench. When replacing bolts, spray an oil lubricant into shaft before inserting new bolts.

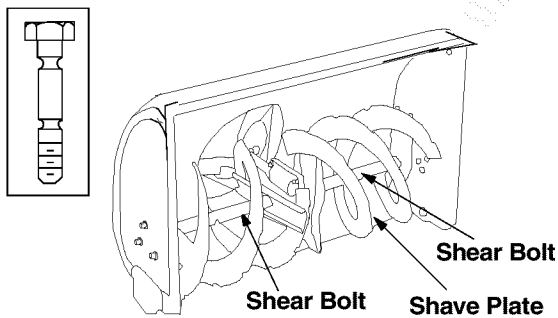


Figure 28

## Adjustments



**WARNING:** Never attempt to clean chute or make any adjustments while engine is running.

### Chute Assembly

The distance that snow is thrown can be adjusted by adjusting the angle of the chute assembly. Refer to the Controls section of this manual.

- The remote chute control cables have been pre-adjusted at the factory. Move the remote chute lever on the control panel back and forward to adjust angle of the chute assembly.

### Skid Shoe

The space between the shave plate and the ground can be adjusted. For close snow removal, place skid shoes in the low position. Use middle or high position when area to be cleared is uneven.

- Adjust skid shoes by loosening the four hex nuts and carriage bolts and moving skid shoes to desired position.

- Make certain the entire bottom surface of skid shoe is against the ground to avoid uneven wear on the skid shoes.
- Retighten nuts and bolts securely.

**NOTE:** It is not recommended that you operate this snow thrower on gravel as loose gravel can be easily picked up and thrown by the auger causing an injury or damage to the snow thrower.

- If for some reason, you have to operate the snow thrower on gravel, keep the skid shoe in the highest position for maximum clearance between the ground and the shave plate.

### Traction Drive Clutch

Refer to the Final Adjustment section of the Set-Up Instructions to adjust the traction drive clutch. To check the adjustment, proceed as follows:

- Drain gasoline or place plastic film under the gas cap if the snow thrower has been operated.
- With the snow thrower tipped forward, remove the frame cover underneath the snow thrower by removing the six self-tapping screws.
- With the traction drive clutch released, there must be clearance between the friction wheel and the drive plate in all positions of the shift lever.
- With the traction drive clutch engaged, the friction wheel must contact the drive plate (shown in Figure 25).
- If adjustment is necessary, loosen the jam nut on the traction drive cable and thread the cable in or out as necessary. See Figure 29. Tighten the jam nut to secure the cable when correct adjustment is reached. Reassemble the frame cover.

**NOTE:** If you placed plastic under the gas cap, be certain to remove it.

### Auger Clutch

To adjust the auger clutch, refer to Final Adjustment section of Assembly Instructions.

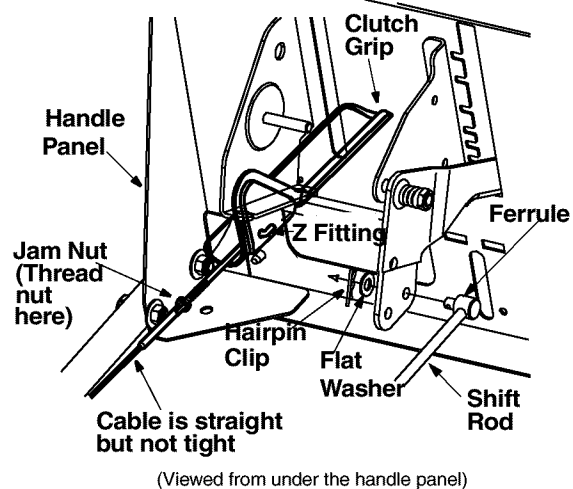


Figure 29

## Shift Rod

To adjust the shift rod, proceed as follows.

- Remove the hairpin clip and flat washer from the shift handle under the handle panel.
- Place shift lever in sixth (6) position or the fastest forward speed.
- Push shift arm assembly down as far as it will go.
- Rotate the ferrule up or down on the shift rod as necessary until the ferrule lines up with the upper

hole in the shift lever. See Figure 29.

- Insert ferrule from the left side of the snowthrower into the upper hole in shift lever.
- Reinstall the hairpin clip and the washer.



**CAUTION:** Check for correct adjustment before operating the snow thrower.

## OFF-SEASON STORAGE

If the snow thrower will not be used for 30 days or longer, or at the end of the snow season when the last possibility of snow is gone, the equipment needs to be stored properly. Follow storage instructions below to ensure top performance from the snow thrower for many more years.

### Preparing Engine



**WARNING:** Never store snow thrower with fuel in tank indoors or in poorly ventilated areas, where fuel fumes may reach an open flame, spark or pilot light as on a furnace, water heater, clothes dryer or gas appliance.

It is important to prevent gum deposits from forming in essential fuel system parts of the engine such as the carburetor, fuel filter, fuel hose or tank during storage.

Also experience indicates that alcohol blended fuels (called gasohol or using ethanol or methanol) can attract moisture which leads to separation and formation of acids during storage. Acidic gas can damage the fuel system of an engine while in storage.

To avoid engine problems, the fuel system *should be emptied* before storage for 30 days or longer. Follow these instructions to prepare your snow thrower for storage:

- Remove all gasoline from the carburetor and the fuel tank to prevent gum deposits from forming on these parts and harming the engine.

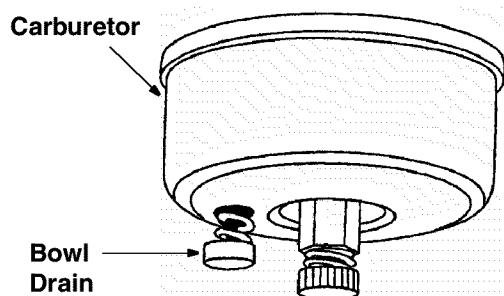


Figure 30



**WARNING:** Drain fuel into an approved container outdoors, away from any open flame. Be certain engine is cool. Do not smoke. Fuel left in engine during warm weather deteriorates and will cause serious starting problems.

- Run the engine until the fuel tank is empty and it stops due to lack of fuel.
- Drain carburetor by pressing upward on bowl drain, located below the carburetor cover. See Figure 30.



**WARNING:** Do not drain carburetor if using fuel stabilizer. Never use engine or carburetor cleaning products in the fuel tank or permanent damage may occur.

**NOTE:** *Fuel stabilizer (such as STA-BIL) is an acceptable alternative in minimizing the formation of fuel gum deposits during storage. Add stabilizer to gasoline in fuel tank or storage container. Always follow mix ratio found on stabilizer container. Run engine at least 10 minutes after adding stabilizer to allow it to reach the carburetor. Do not drain carburetor if using fuel stabilizer.*

- Remove the spark plug and pour one (1) ounce of engine oil through the spark plug hole into the cylinder. Cover spark plug hole with a rag and crank the engine several times to distribute the oil. Replace spark plug.

### Preparing Snow Thrower

- When storing the snow thrower in an unventilated or metal storage shed, care should be taken to rustproof the equipment. Using a light oil or silicone, coat the equipment, especially any chains, springs, bearings and cables.
- Remove all dirt from exterior of engine and equipment.
- Follow lubrication recommendations on page 15.
- Store in a clean, dry area.

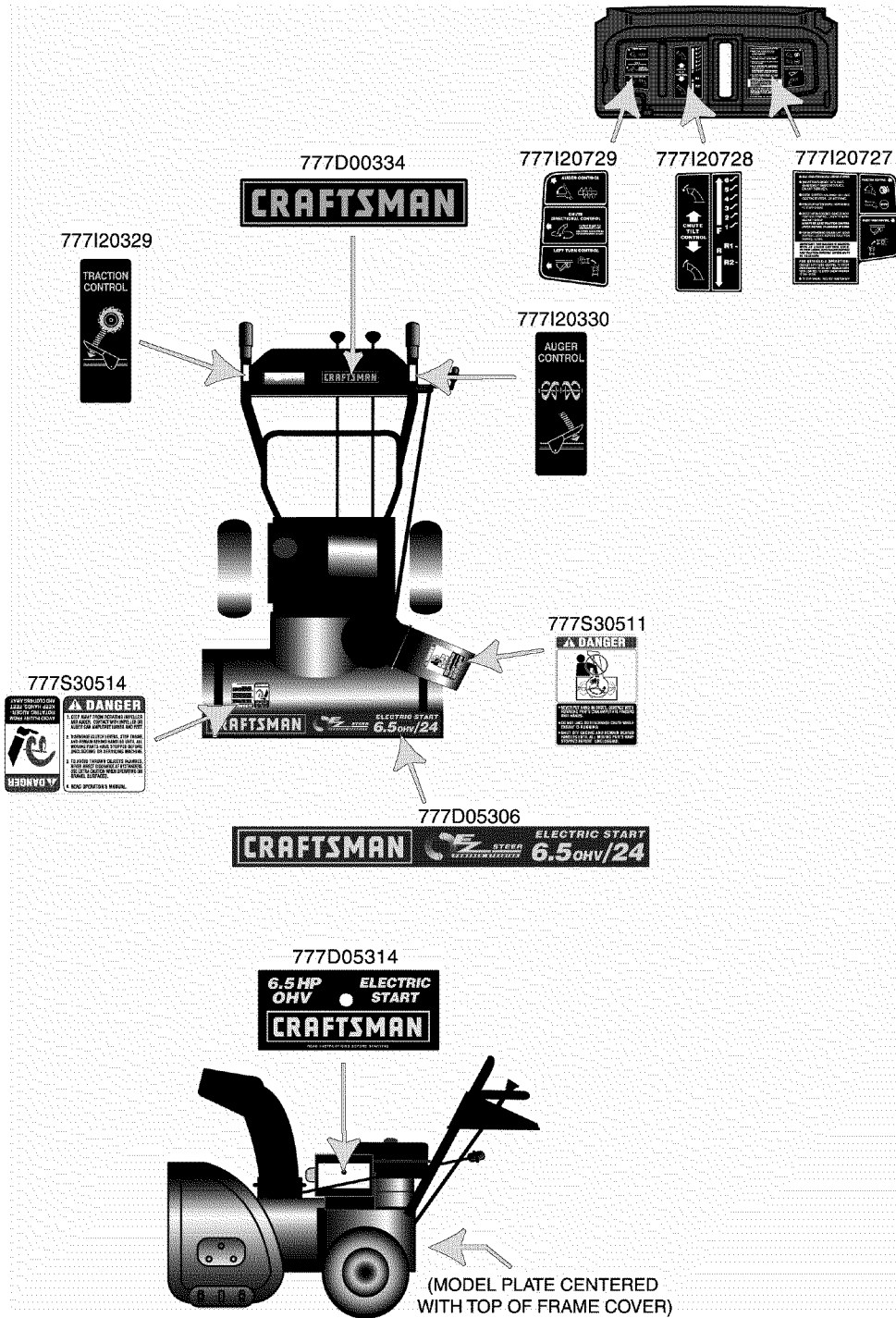
# TROUBLE-SHOOTING

Trouble	Possible Cause(s)	Corrective Action
Engine fails to start	Fuel tank empty, or stale fuel.  Blocked fuel line. Choke not in ON position Faulty spark plug. Key not in switch on engine. Spark plug wire disconnected. Primer button not depressed. Fuel shut-off valve closed (if so equipped). Throttle in Stop position	Fill tank with clean, fresh gasoline. Fuel will not last over thirty days unless a fuel stabilizer is used. Clean fuel line. Move switch to ON position Clean, adjust gap or replace. Insert key. Connect spark plug wire.  Refer to the engine manual packed with your unit. Open fuel shut-off valve.  Move Throttle to RUN position.
Engine runs erratic	Unit running on CHOKE. Blocked fuel line or stale fuel.  Water or dirt in fuel system. Carburetor out of adjustment.	Move choke lever to OFF position. Clean fuel line; fill tank with clean fresh gasoline. Fuel will not last over thirty days unless a fuel stabilizer is used. Drain fuel tank. Refill with fresh fuel. Refer to the engine manual packed with your unit or have carburetor adjusted by an authorized service dealer.
Loss of power	Spark plug wire loose. Gas cap vent hole plugged. Exhaust port plugged.	Connect and tighten spark plug wire. Remove ice and snow from cap. Be certain vent hole is clear. Clean-see Maintenance section of engine manual.
Engine overheats	Carburetor not adjusted properly.	Refer to the engine manual packed with your unit or have carburetor adjusted by an authorized service dealer.
Excessive vibration	Loose parts or damaged auger.	Stop engine immediately and disconnect spark plug wire. Tighten all bolts and nuts. Make all necessary repairs. If vibration continues, have unit serviced by an authorized service dealer.
Unit fails to propel itself	Incorrect adjustment of drive cable. Drive belt loose or damaged. Friction wheel rubber worn off	Adjust drive cable. Refer to Adjustment section of this manual. Replace drive belt. Refer to Belt Replacement in Maintenance section of this manual. Replace rubber following instructions on page 19.
Unit fails to discharge snow	Discharge chute clogged.  Foreign object lodged in auger. Incorrect adjustment of drive cable. Drive belt loose or damaged.	Stop engine immediately and disconnect spark plug wire. Clean discharge chute and inside of auger housing. Stop engine immediately and disconnect spark plug wire. Remove object from auger. Adjust drive cable. Refer to Adjustment section on page 17. Replace drive belt. Refer to Belt Replacement on page 17.

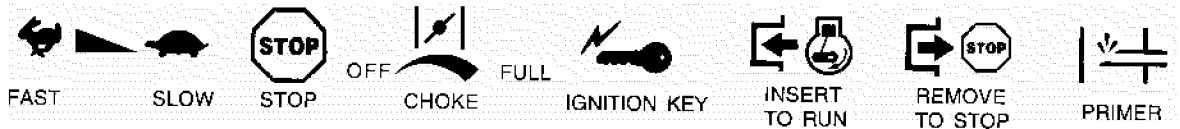


**NOTE:** For repairs beyond the minor adjustments listed above, please contact your nearest SEARS service center.

# Safety & Decorative Labels

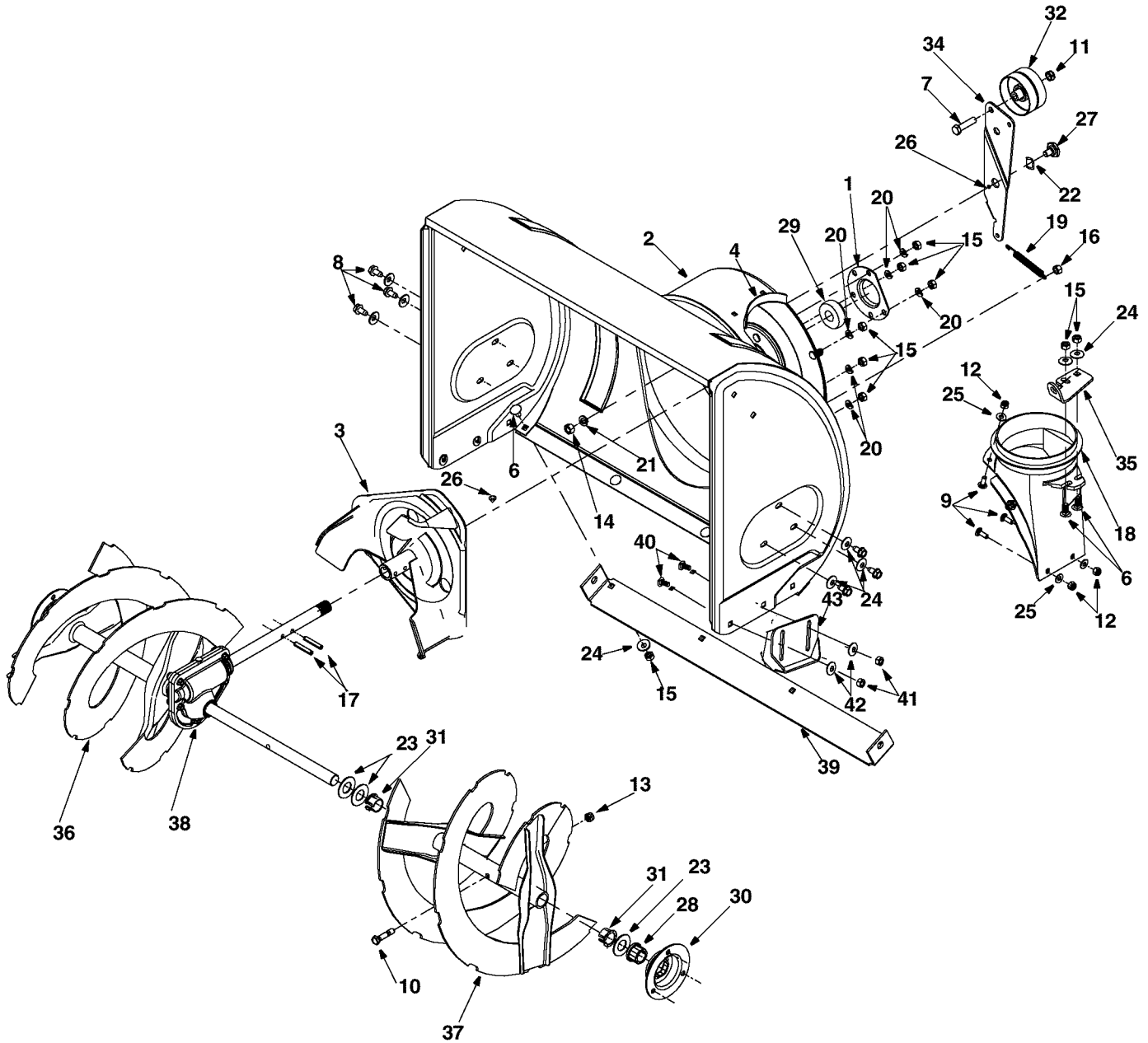


## Engine Labels:



# PARTS LIST

## Craftsman 6.5 H.P. Snow Thrower Model 247.888160



**NOTE:** For **painted parts**, please refer to the list of color codes below. Please add the applicable color code, wherever needed, to the part number to order a replacement part. For instance, if a part, numbered 700-xxxx, is painted polo green, the part number to order would be 700-xxxx-0689.

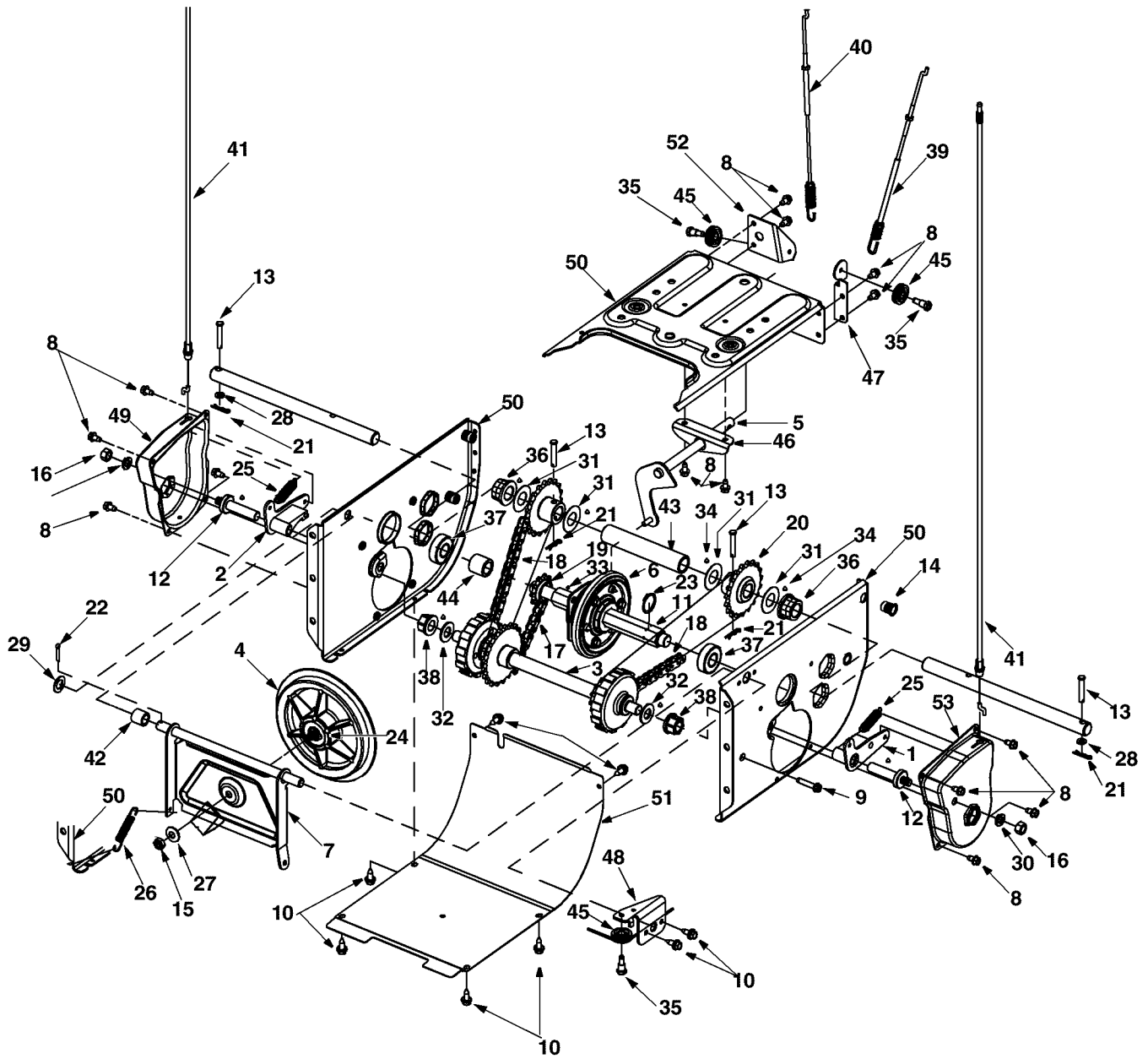
Polo Green:	0689
Powder Black:	0637
Oyster Gray:	0662



## Craftsman 6.5 H.P. Snow Thrower Model 247.888160

Key. No.	Part No.	Description	Key. No.	Part No.	Description
1.	05931A	Bearing Housing	22.	736-0167	Flat Washer
2.	684-0039C	Auger Housing Assy. 24"	23.	736-0188	Flat Washer
3.	684-0065	Impeller Assy. 12" dia.	24.	736-0242	Belleville Washer
4.	705-5226	Chute Reinforcement	25.	736-0463	Flat Washer
6.	710-0451	Carriage Bolt 5/16-18 x .75" Gr.2	26.	737-0318	Grease
7.	710-0459A	Hex Screw 3/8-24 x 1.5" Gr.5	27.	738-0281	Shoulder Screw
8.	710-0604A	Hex Washer Head Self-Tapping Screw 5/16-18 x .62"	28.	741-0245	Hex Flange Bearing
9.	710-0703	Carriage Screw 1/4-20 x .75"	29.	741-0309	Flange Ball Bearing
10.	710-0890A	Shear Bolt 5/16-18 x 1.5"	30.	784-5618	Hex Bearing Housing
11.	712-0116	Jam Nut 3/8-24	31.	741-0493A	Flange Bushing
12.	712-0324	Hex Lock Nut 1/4-20	32.	756-0178	Flat Idler
13.	712-0429	Hex Lock Nut 5/16-18	34.	784-5632A	Auger Idler Arm
14.	712-0798	Hex Nut 3/8-16 Gr.2	35.	784-5647	Chute Directional Control Bracket
15.	712-3010	Hex Nut 5/16-18 Gr.5	36.	605-5188A	Spiral Assembly: RH 24"
16.	712-3068	Hex Patch Nut 5/16-18	37.	605-5189A	Spiral Assembly: LH 24"
17.	715-0114	Spiral Pin	38.	618-0120A	Gear Assembly: Auger 24"
18.	731-1379C	Chute Adapter	39.	784-5581A	Shave Plate: Auger 24"
19.	732-0611	Extension Spring	40.	710-0451	Carr. Bolt: 5/16-18 x 0.75
20.	736-0119	Lock Washer	41.	712-3010	Hex Nut: 5/16-18 Gr.5
21.	736-0169	Lock Washer	42.	736-0242	Belleville Washer
			43.	784-5580	Slide Shoe

# Craftsman 6.5 H.P. Snow Thrower Model 247.888160



**NOTE:** For painted parts, please refer to the list of color codes below. Please add the applicable color code, wherever needed, to the part number to order a replacement part. For instance, if a part, numbered 700-xxxx, is painted polo green, the part number to order would be 700-xxxx-0689.

Polo Green:	0689
Powder Black:	0637
Oyster Gray:	0662



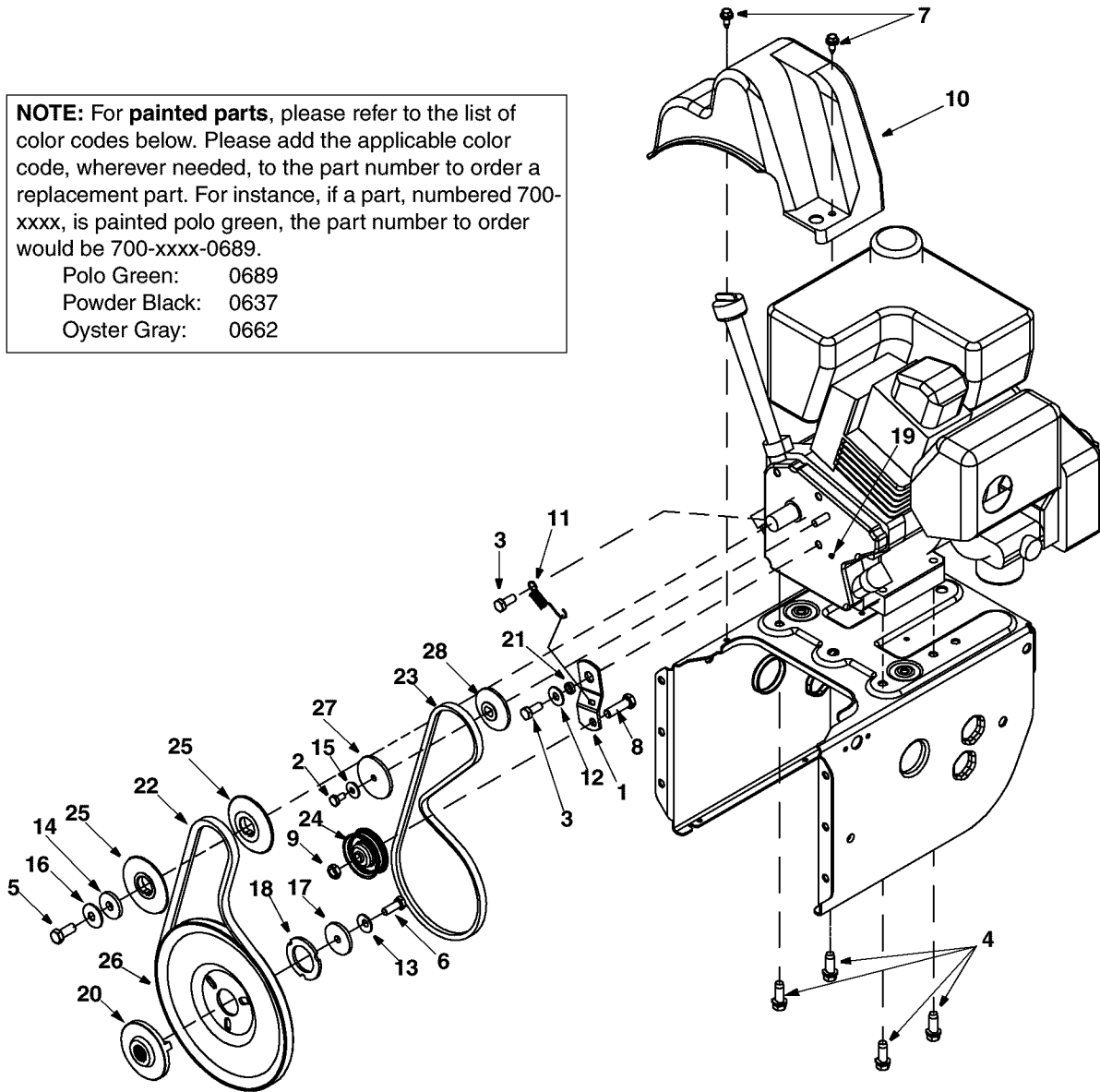
## Craftsman 6.5 H.P. Snow Thrower Model 247.888160

Key No.	Part No.	Description	Key No.	Part No.	Description
1.	618-0043	Dogg Assembly: RH	28.	736-0142	Flat Washer
2.	618-0044	Dogg Assembly: LH	29.	736-0160	Flat Washer
3.	618-0575	Drive Shaft Assembly	30.	736-0169	Lock Washer
4.	656-0012A	Friction Wheel Disc Assembly	31.	736-0351	Flat Washer
5.	684-0014B	Shift Assembly: Rod	32.	736-0626	Flat Washer
6.	684-0042C	Friction Wheel Bearing	33.	737-0170	Lubricant
7.	684-0131A	Support Bracket Assembly	34.	737-0318	Grease
8.	710-0599	TT Screw 1/4-20 x 0.5"	35.	738-0924	C Screw 1/4-28 x 0.375"
9.	710-0809	TT Screw 1/4-20 x 1.25"	36.	741-0598	Hex Flange Bearing
10.	710-1652	TT Screw 1/4-20 x 0.625"	37.	741-0600	Ball Bearing
11.	711-1267	Drive Shaft	38.	741-1111	Hex Flange Bearing
12.	711-1268	Actuator Drive Shaft	39.	746-0897	Auger Clutch Cable
13.	711-1364	Clevis Pin	40.	746-0898	Drive Clutch Cable
14.	712-0703A	Nut Insert	41.	746-0956	Steering Cable
15.	712-0711	Jam Nut	42.	748-0190	Spacer
16.	712-3017	Hex Nut	43.	750-1161A	Support Tube: Axle
17.	713-0233	Chain	44.	750-1162	Spacer
18.	713-0326	Endless Chain	45.	756-0625	Roller: Cable
19.	713-0413	Sprocket: 10T	46.	784-5590	Shift Frame Bracket
20.	713-0473	Sprocket: 19T	47.	784-5687A	Auger Clutch Cable Guide Bracket
21.	714-0104	Hairpin Clip	48.	784-5689A	Auger Cable Front Support Guide
22.	714-0474	Hairpin Clip	49.	784-5730A	Retaining Shaft RH
23.	716-0102	Snap Ring	50.	784-5731A	Frame
24.	721-0263	Adhesive: Loctite™	51.	784-5732	Frame Cover
25.	732-0209	Extension Spring	52.	784-5733	Roller Bracket
26.	732-0264	Extension Spring	53.	784-5740	Retaining Shaft LH
27.	736-0105	Bell Washer			

# Craftsman 6.5 H.P. Snow Thrower Model 247.888160

**NOTE:** For **paint**ed parts, please refer to the list of color codes below. Please add the applicable color code, wherever needed, to the part number to order a replacement part. For instance, if a part, numbered 700-xxxx, is painted polo green, the part number to order would be 700-xxxx-0689.

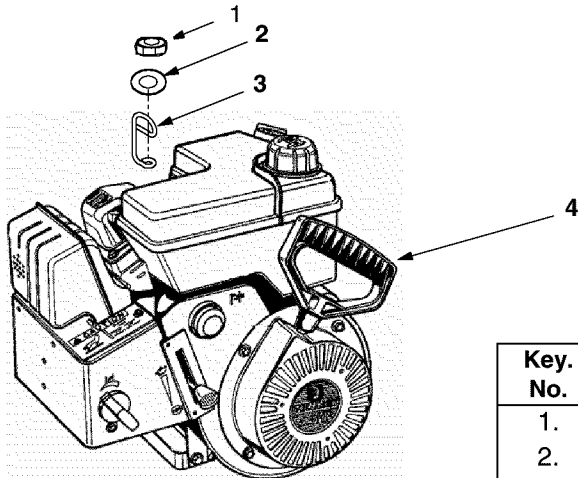
Polo Green: 0689  
 Powder Black: 0637  
 Oyster Gray: 0662



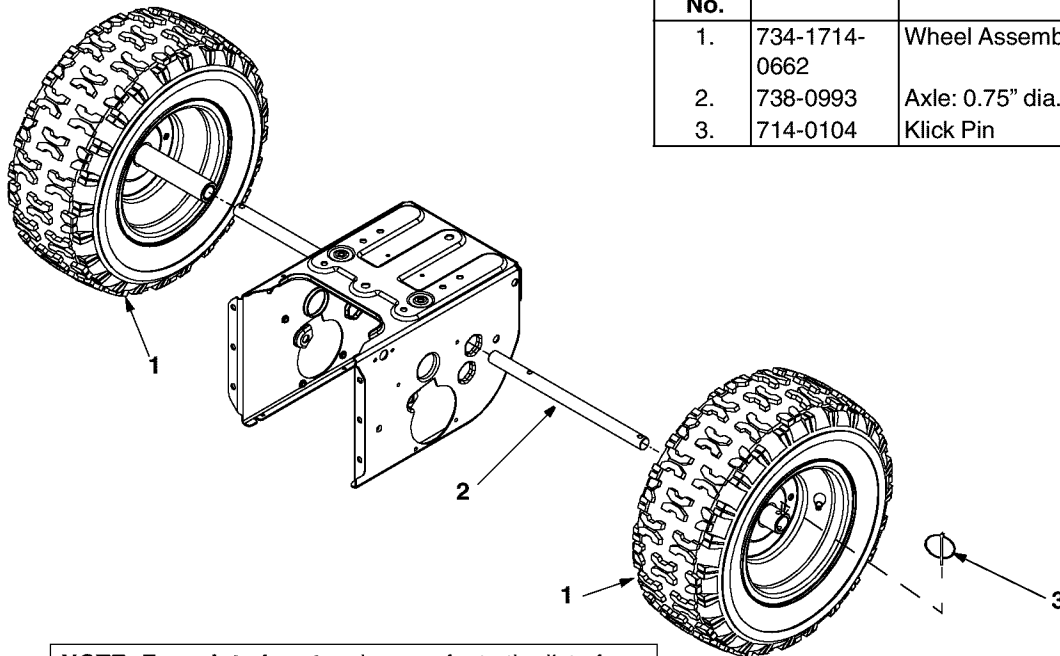
Key No.	Part No.	Description	Key No.	Part No.	Description
1.	05896A	Idler Bracket	15.	736-0270	Bell Washer
2.	710-0230	Hex Screw 1/4-28 x 0.50"	16.	736-0331	Bell Washer
3.	710-0627	Lock Screw 5/16-24 x 0.750"	17.	736-0505	Flat Washer
4.	710-0654A	TT Sems Screw	18.	736-0507	Special Washer
5.	710-0696	Hex Screw 3/8-24 x 0.875"	19.	737-0318	Grease
6.	710-1245A	Lock Screw 5/16-24 x 0.875"	20.	748-0360	Pulley
7.	710-1652	TT Screw 1/4-20 x 0.625"	21.	750-1053	Spacer
8.	710-3005	Hex Screw 3/8-16 x 1.25"	22.	754-0430A	Belt
9.	712-0181	Jam Nut	23.	754-0456	V-Belt
10.	731-1324	Belt Cover	24.	756-0313	Flat Idler
11.	732-0339	Extension Spring	25.	756-0569	Pulley Half
12.	736-0159	Washer	26.	756-0967	Auger Pulley
13.	736-0242	Beleville Washer	27.	756-0984	Pulley Half
14.	736-0247	Flat Washer	28.	756-0985	Pulley Half



# Craftsman 6.5 H.P. Snow Thrower Model 247.888160



Key. No.	Part No.	Description
1.	712-0324	Hex Lock Nut: 1/4-20
2.	736-0173	Flat Washer
3.	732-0705	Cable Guide
4.	—	Craftsman Engine model 143.026503



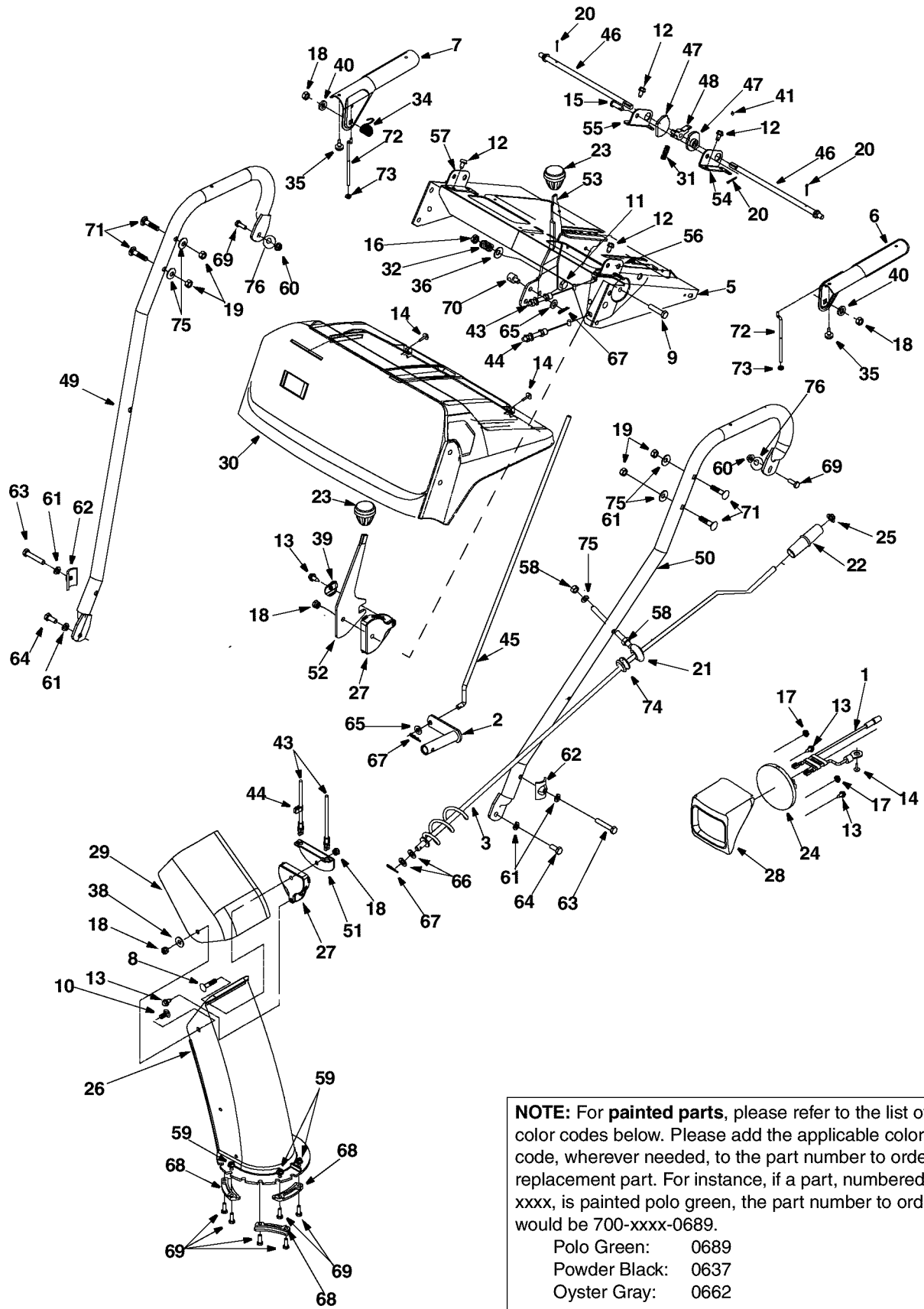
Key. No.	Part No.	Description
1.	734-1714-0662	Wheel Assembly: 13.0 x 5.0 Steerable
2.	738-0993	Axle: 0.75" dia. x 12.201" Lg.
3.	714-0104	Klick Pin

**NOTE:** For **painted parts**, please refer to the list of color codes below. Please add the applicable color code, wherever needed, to the part number to order a replacement part. For instance, if a part, numbered 700-xxxx, is painted polo green, the part number to order would be 700-xxxx-0689.

Polo Green: 0689  
 Powder Black: 0637  
 Oyster Gray: 0662



# Craftsman 6.5 H.P. Snow Thrower Model 247.888160



**NOTE:** For **paint**ed parts, please refer to the list of color codes below. Please add the applicable color code, wherever needed, to the part number to order a replacement part. For instance, if a part, numbered 700-xxxx, is painted polo green, the part number to order would be 700-xxxx-0689.

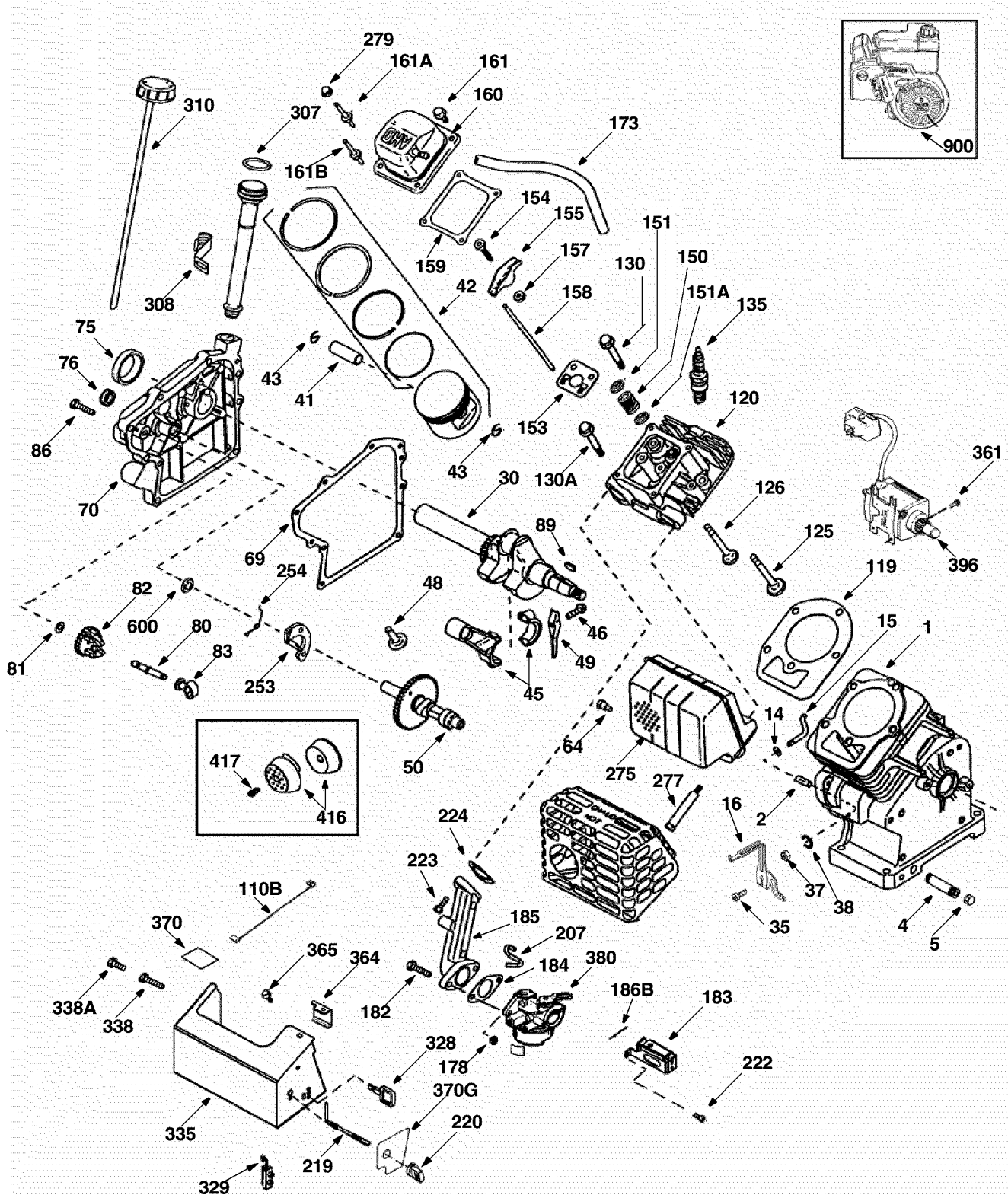
Polo Green:	0689
Powder Black:	0637
Oyster Gray:	0662



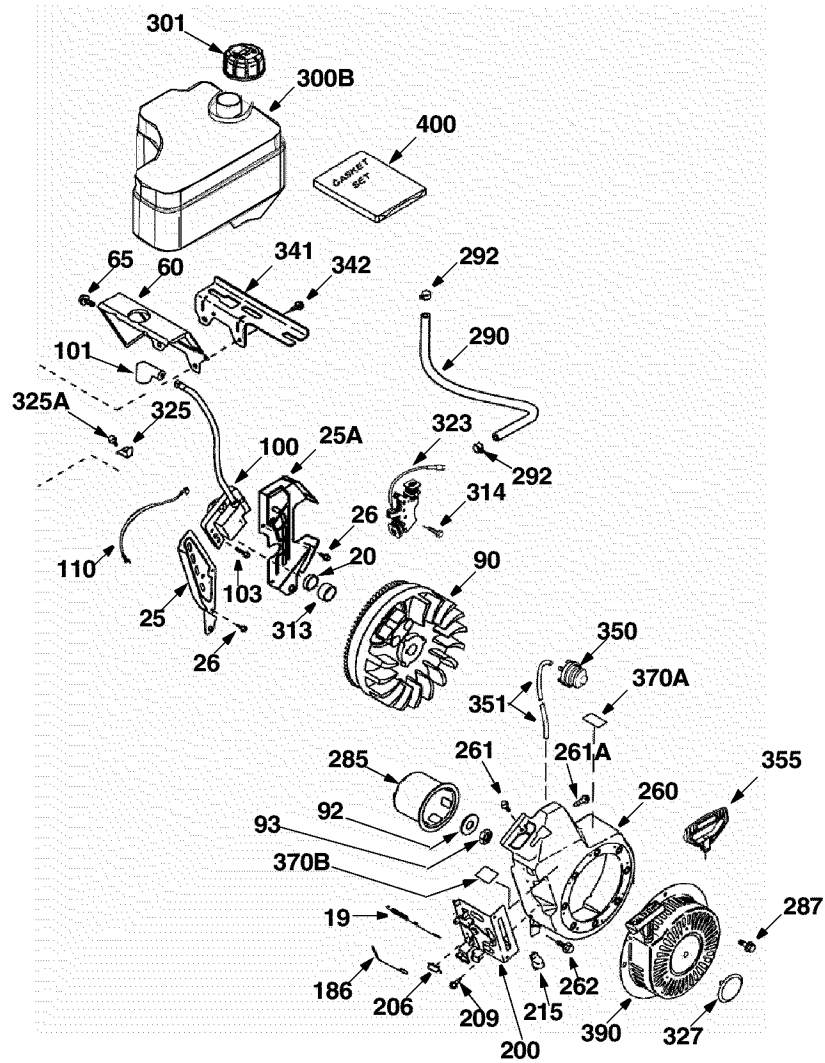
## Craftsman 6.5 H.P. Snow Thrower Model 247.888160

Key No.	Part No.	Description	Key No.	Part No.	Description
1	629-0058	Harness for Headlight	39	736-0509	Special Washer
2	684-0008A	Shift Arm Assembly	40	737-0133	Grease
3	705-5204A	Chute Directional Control	43	746-0896	Chute Deflector Control Cable
4	684-0066	Hardware Pack*	44	746-0901	Chute Deflector Cable w/ Clip
5	684-0102	Handle Panel Assembly w/ Tilt	45	747-0798A	Shift Rod
6	684-0111A	Handle Assembly Engagement LH	46	747-0877	Cam Rod
7	684-0112	Handle Assembly Engagement RH	47	748-0362	Cam Handle Lock
8	710-0262	Carriage Bolt 5/16-18 x 1.50	48	748-0363	Pawl Handle lock
9	710-0442	Hex Bolt 5/16-18 x 1.5	49	749-0908A	Right Handle
10	710-0451	Carriage Bolt 5/16-18 x.75	50	749-0909	Left Handle
11	710-0459A	Hex Screw 3/8-24 x 1.5	51	784-5594	Cable Bracket
12	710-0599	TT Screw 1/4-20 x 0.5"	52	784-5604	Chute Tilt Handle
13	710-0896	Hex AB Tap Screw 1/4 x .62	53	784-5619A	Shift Handle
14	710-1003	Hex B-Tapp Screw # 10-16 x .62	54	784-5679	Handle Support Bracket 5/8 LH
15	711-0653	Clevis Pin	55	784-5680	Handle Support Bracket 5/8 RH
16	712-0116	Hex Ins. Lock Nut 3/8-24	56	784-5681	Handle Support Bracket 3/8 LH
17	712-0415	Self-Threading Nut	57	784-5682	Handle Support Bracket 3/8 RH
18	712-0429	Lock Nut 5/16-18	58	712-3010	Hex Nut 5/16-18 Thd.
19	712-3068	Lock Nut 5/16-18	59	712-3027	Hex Flange Locked Nut 1/4-20 Thd.
20	714-0104	Cotter Pin	60	712-0287	Hex Nut 1/4-20
21	747-0697	Eye Bolt	61	736-0119	Lock Washer 5/16
22	720-0201A	Chute Directional Control Knob	62	784-5599	Handle Tab
23	720-0300	Shift Knob	63	710-3259	Hex Bolt 5/16-18 x 1.75 Gr.5
24	725-1300	Headlight	64	710-1880	Hex Bolt 5/16-18 x 0.75" Gr. 5
25	726-0100	Push Cap	65	736-0275	Flat Washer 5/16
26	731-1300A	Lower Chute	66	736-0185	Flat Washer 3/8 x .738 x .063"
27	731-1313B	Cable Guide	67	714-0104	Hairpin Clip
28	731-1317	Headlight Bezel	68	731-0851A	Chute Flange Keeper
29	731-1320	Upper Chute	69	710-3015	Hex Bolt 1/4-20 x 0.75" Gr.5
30	731-1773A	Handle Panel	70	711-0677	Ferrule
31	732-0145	Compression Spring	71	710-0262	Carriage Bolt 5/16-18 x 1.50
32	732-0193	Compression Spring	72	746-0778	Z Fitting
34	732-0746	Torsion Spring	73	712-0121	Hex Nut # 10-24
35	735-0199A	Rubber Bumper	74	735-0234	Rubber Grommet
36	736-0105	Bell Washer .380 x .880 x .062	75	736-0242	Cupped Washer
37	736-0159	Washer 5/6 I.D.	76	736-0270	Bell Washer
38	736-0506	Special Washer			

Craftsman Engine Model 143.026503 for Craftsman Snow Thrower Model 247.888160



**Craftsman Engine Model 143.026503 for Craftsman Snow Thrower Model 247.888160**



Key No.	Part No.	Description	Key No.	Part No.	Description
1	37120B	Cylinder (Incl. 2 & 20)	41	36070	Piston & Pin Ass'y (Std.) (Incl. 43)
2	26727	Dowel Pin	41	36071	Piston & Pin Ass'y (.010" OS) (Incl.
4	31857	Oil Drain Extension	42	40006	Ring Set (Std.)
5	30969	Extension Cap	42	40007	Ring Set (.010" OS)
14	651052	Washer	43	20381	Piston Pin Retaining Ring
15	37108	Governor Rod	45	32875A	Connecting Rod Ass'y (Incl. 46 & 49)
16	37110	Governor Lever	46	32610A	Connecting Rod Bolt
19	37111	Extension Spring	48	35616	Valve Lifter
20	32600	Oil Seal	49	36611	Oil Dipper
25	36621	Air Baffle (Left)	50	36903	Camshaft (Incl. 253 & 254)
25A	36869	Air Baffle (Right)	60	36623A	Blower Housing Extension
26	30200	Screw, 10-24 x 9/16"	64	651027	Screw, 1/4-20 x 27/32"
30	35975	Crankshaft	65	30200	Screw, 10-24 x 9/16"
35	651053	Screw, 10-32 x 63/64"	69	36624	Cylinder Cover Gasket
37	29216	Lock Nut, 10-32	70	36724	Cylinder Cover (Incl. 75 thru 83)
38	37109	Retaining Ring	75	27897	Oil Seal
40	40004	Piston, Pin & Ring Set (Std.)	76	30318	Camshaft Seal
40	40005	Piston, Pin & Ring Set (.010" OS)	80	30574A	Governor Shaft

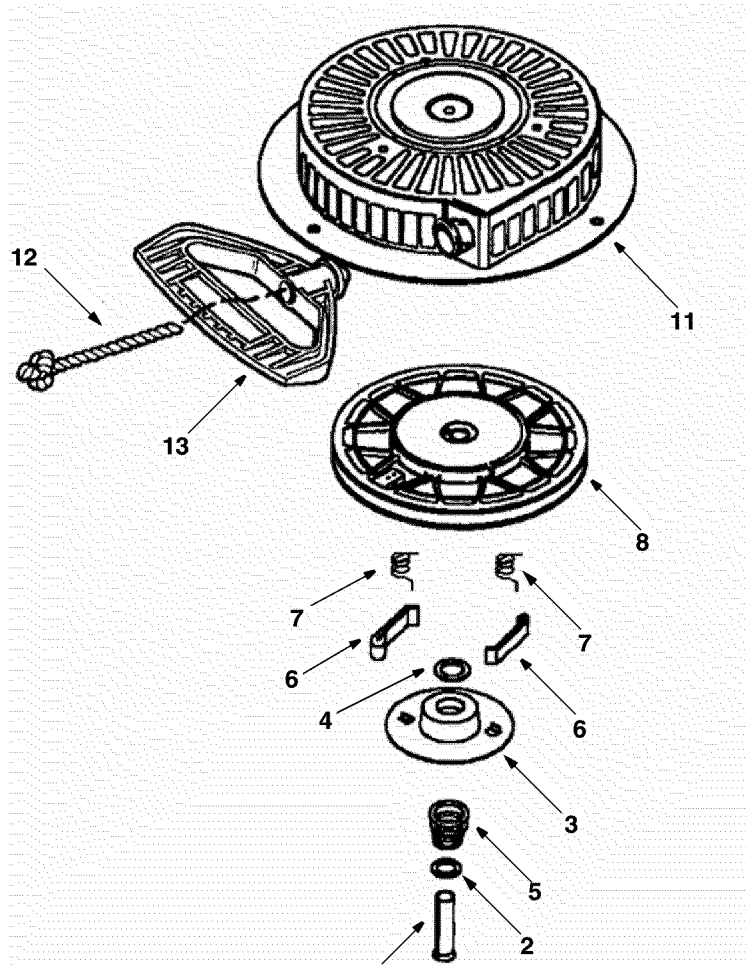


## Craftsman Engine Model 143.026503 for Craftsman Snow Thrower Model 247.888160

Key No.	Part No.	Description	Key No.	Part No.	Description
81	30590A	Washer	254	36702	Compression Release Spring
82	30591	Governor Gear Ass'y (Incl. 81)	260	36901	Blower Housing
83	36057	Governor Spool	261	651008	Screw, 1/4-20 x 31/64"
86	650488	Screw, 1/4-20 x 1-1/4"	261A	650821	Screw, 10-32 x 1/2"
89	610961	Flywheel Key	262	651008	Screw, 1/4-20 x 31/64"
90	611216	Flywheel	275	36722	Muffler
92	650815	Belleville Washer	277	650988	Screw, 1/4-20 x 2-9/32"
93	650816	Flywheel Nut	279	650852	Nut & Lock Washer
100	34443B	Solid State Ignition	280	37069	Heat Shield
101	610118	Spark Plug Cover	285	35985B	Starter Cup
103	651007	Screw, T-15, 10-24 x 15/16"	287	651008	Screw, 1/4-20 x 31/64"
110	36230	Ground Wire	290	30705	Fuel Line
110B	36874	Ground Wire	292	26460	Fuel Line Clamp
119	36719	Cylinder Head Gasket	300B	37048	Fuel Tank (Incl. 292 & 301)
120	37474	Cylinder Head	301	35355	Fuel Cap
125	36471	Exhaust Valve (Std.) (Incl. 151)	305	36877	Oil Fill Tube
125	36472	Exhaust Valve (1/32" OS) (Incl. 151)	307	35499	O-Ring
126	29314C	Intake Valve (Std.) (Incl. 151)	308	37079	Fill Tube Clip
130	650912	Screw, 5/16-18 x 1-1/2"	310	36878	Dipstick
130A	650999	Screw, 5/16-18 x 2-41/64"	313	34080	Spacer
135	34645	Resistor Spark Plug (RN4C)	314	650873	Screw, 1/4-20 x 3/4"
150	37039	Valve Spring	315C	611111	Alternator Coil (18 Watt)
151	31673	Valve Spring Cap	325	37471	Fuel Line Bracket
151A	40016A	Intake Valve Seal	325A	30200	Screw, 10-24 x 9/16"
153	36649	Push Rod Guide	327	35392	Starter Plug
154	650913	Rocker Arm Stud	328	35062	Ignition Key
155	35624A	Rocker Arm	329	610973	Terminal
157	650914	Nut, 1/4-28	335	36873	Carburetor Cover
158	36629	Push Rod	338	650821	Screw, 10-32 x 1/2"
159	35626	Rocker Arm Cover Gasket	338A	28942	Screw, 10-32 x 3/8"
160	36630A	Rocker Arm Cover	341	36644	Fuel Tank Bracket (Lower)
161	651008	Screw, 1/4-20 x 31/64"	342	651010	Screw, 1/4-20 x 7/8"
161A	651034	Stud	350	570682A	Primer Assembly
161B	651012	Stud	351	32180C	Primer Line
173	32447	Breather Tube	355	590574	Starter Handle (Mitten Grip)
178	650852	Nut, 1/4-20	361	650990	Screw, T-30, 1/4-20 x 15/32"
182	650451	Screw, 1/4-20 x 1"	364	36872	Carburetor Cover Bracket
183	36867	Choke Bracket	365	650821	Screw, 10-32 x 1/2"
184	26756	Carburetor To Intake Pipe Gasket	370A	36261	Lubrication Decal
185	36631	Intake Pipe	370B	36899	Control Decal
186	36711	Governor Link	370C	36501	Primer Decal
186B	36652	Choke Spring	370G	36534	Instruction Decal
200	36824A	Control Bracket (Incl. 206)	370I	35878	Warning Decal
206	610973	Terminal	380	640058A	Carburetor (Incl. 184)
207	36632	Throttle Link	390	590749	Rewind Starter
209	650821	Screw, 10-32 x 1/2"	(NOTE: This engine could have been built with 590733 starter.)		
215	32410	Control Knob	396	33290E	Electric Starter Motor
219	36868	Choke Rod	400	36720	Gasket Set
220	35438	Choke Knob	416	36085	Spark Arrestor Kit (Incl. 417) (Optional)
222	28820	Screw, 10-32 x 1/2"	417	650821	Screw, 10-32 x 1/2" (Optional)
223	650451	Screw, 1/4-20 x 1"	600	651013	Washer
224	36581	Intake Pipe Gasket	900		Shortblock
253	36701	Compression Release Weight			

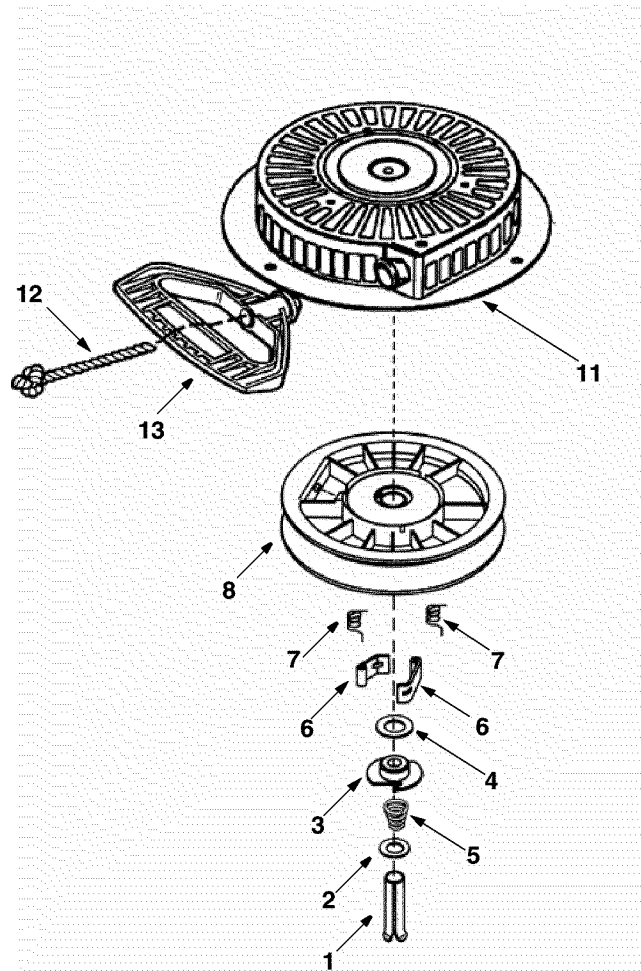


Craftsman Engine Model 143.026503 for Craftsman Snow Thrower Model 247.888160



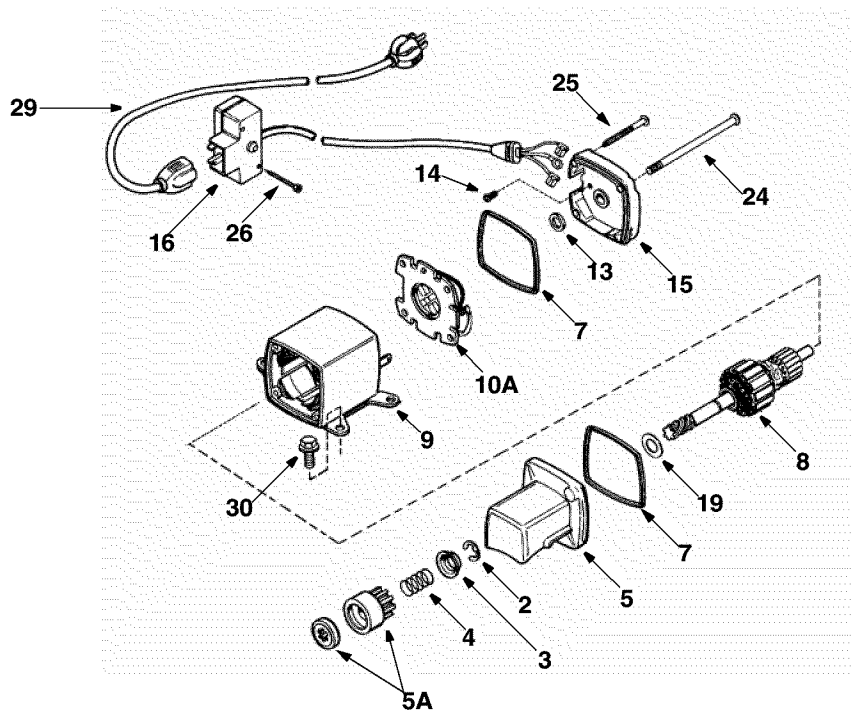
Key No.	Part No.	Description
0	590733	Rewind Starter
1	590599A	Spring Pin
2	590600	Washer
3	590696	Retainer
4	590601	Washer
5	590697	Brake Spring
6	590698	Starter Dog
7	590699	Dog Spring
8	590709	Pulley & Rewind Assembly
11	590734A	Starter Housing Assembly
12	590535	Starter Rope
13	590574	Mitten Grip

Craftsman Engine Model 143.026503 for Craftsman Snow Thrower Model 247.888160



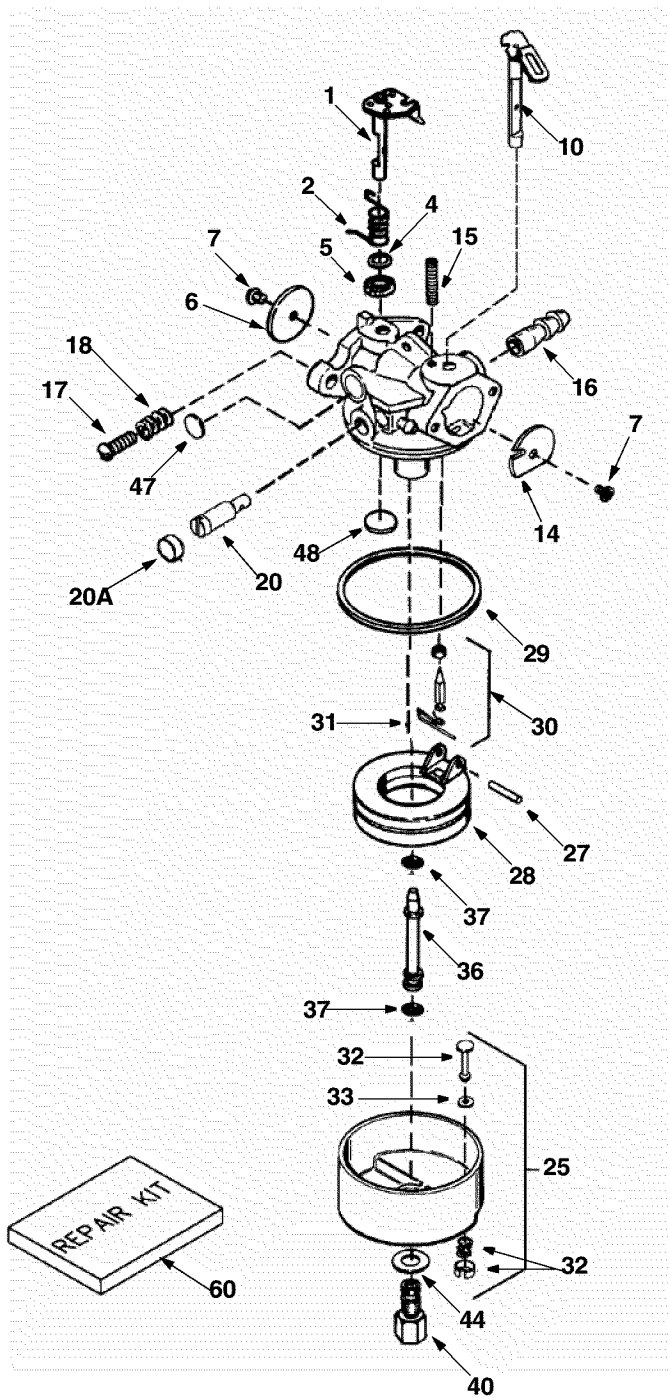
Key No.	Part No.	Description
0	590749	Rewind Starter
1	590599A	Spring Pin
2	590600	Washer
3	590679	Retainer
4	590601	Washer
5	590678	Brake Spring
6	590680	Starter Dog
7	590412	Dog Spring
8	590682	Pulley & Rewind Spring Assembly
11	590750A	Starter Housing Assembly
12	590535	Starter Rope
13	590574	Mitten Grip Handle

Craftsman Engine Model 143.026503 for Craftsman Snow Thrower Model 247.888160



Key No.	Part No.	Description
0	33290E	Electric Starter (110 Volt)
2	31749	Retainer Ring
3	33522	Spring Retainer
4	33769	Anti-drift Spring
5A	37332	Nut & Gear (Incl. 2)
6	35461	Drive End Cap Ass'y. (Incl. 7)
7	35450	"O" Ring
8	35912	Armature
9	—	Housing Ass'y. (Complete Motor)
10A	35452A	Brush & Spring Card Ass'y.
13	590500	Thrust Washer
14	33441	Ground Screw
15	35453	Commutator End Cap Ass'y. (Incl. 7)
16	35454	Switch Box Ass'y.
19	35911	Thrust Washer
24	35462	Case Bolt
25	35456	Grounding Screw
26	650819	Screw, 6-32 x 2-1/2"
26	651032	Screw, 12-16 x 5/8"
29	32450B	Extension Cord (10'6")
30	650759	Screw, Torx T-30, 1/4-20 x 23/32"

# Craftsman Engine Model 143.026503 for Craftsman Snow Thrower Model 247.888160



Key No.	Part No.	Description
0	640058A	Carburetor (Incl. 184 of Engine Parts List)
1	631615	Throttle Shaft & Lever Assembly
2	631767	Throttle Return Spring
4	631184	Dust Seal Washer
5	631183	Dust Seal (Throttle)
6	631036	Throttle Shutter
7	650506	Shutter Screw
10	632118	Choke Shaft & Lever Assembly
14	631890	Choke Shutter
15	630735	Choke Positioning Spring
16	632164	Fuel Fitting
17	651025	Throttle Crack Screw/Idle Speed Screw
18	630766	Tension Spring
20	640027	Idle Restrictor Screw
20A	640053	Idle Restrictor Screw Cap
25	631951	Float Bowl Assembly (Incl. 32 & 33)
27	631024	Float Shaft
28	632802	Float (Plastic)
29	631028	Float Bowl O-Ring
30	631021	Inlet Needle, Seat & Clip (Incl. 31)
31	631022	Spring Clip
32	27136A	Bowl Drain Assembly
33	27554	Drain Plunger Gasket
36	640019	Main Nozzle Tube
37	632547	O-Ring, Main Nozzle Tube
40	640059	High Speed Bowl Nut
44	27110A	Bowl Nut Washer
47	630748	Welch Plug, Idle Mixture Well
48	631027	Welch Plug, Atmospheric Vent
60	632760	Repair kit (Incl. Items Marked PK in Notes)



# GARANTIA DE INFORMACIÓN

Por un año desde la fecha de compra cuando este expulsor de nieve Craftsman sea mantenido, lubricado y puesto a punto de acuerdo con las instrucciones de operación y mantenimiento en el manual del propietario, Sears reparará libre de costo cualquier defecto de material o de mano de obra.

Esta garantía se aplica por 30 días solamente a partir de la fecha de compra, si el expulsor de nieve se usa para fines comerciales o de alquiler.

Esta garantía no cubre:

Artículos desechables que se desgastan durante el uso normal, tales como zapatas deslizantes, placa raspadora y bujías.

Reparaciones necesarias a causa de abuso o negligencia por parte del operador, incluyendo cigüeñales doblados y la falla en mantener el equipo de acuerdo con las instrucciones contenidas en el manual del propietario.

El servicio de garantía esta disponible si se devuelve el expulsor de nieve Craftsman al centro/departamento de servicio de Sears mas cercano en los estados unidos.

Esta garantía se aplica solamente mientras este producto esté en uso en los Estados Unidos.

Esta garantía le otorga derechos legales especificos y usted puede también tener otros derechos que varían de Estado a Estado.

Sears, Roebuck and Co., D817/WA, Hoffman Estates, IL 60179

## Especificaciones Del Producto

Caballos de Fuerza: .....6.5  
Aceite .....SAE 5W30  
Capacidad.....21 oz.  
Capacidad de Combustible ....4 cuartos  
Bujía.....RN4C  
Motor.....Modelo 143.026503

**Numero De Modelo** .....247.888160.....

**Numero De Serie** .....

Fecha De Compra .....

Los numeros de modelo y de serie se encuentran en el rotulo pegado al amazon del expulsor de nieve.

Usted debería registrar el numero de serie y la fecha de compra y guardarios en un lugar seguro para referencia futura.



# PRACTICAS SEGURAS DE OPERACION



Este simbolo senala instrucciones importantes de seguridad las cuales, si no se observan, podrian poner en peligro la seguridad personal y/o la propiedad suya y de otras personas. Lea y observe todas las instrucciones de este manual antes de intentar operar su expulsor de nieve motorizada. no cumplir con estas instrucciones puede resultar en lesiones personales, cuando vea este simbolo obedezca.



## **Peligro:**

Su expulsor de nieve fue fabricada para operarse de acuerdo con las reglas para una operacion segura en este manual. Al igual que con cualquier tipo de equipo motorizado, la falta de cuidado o error de parte del operador puede resultar en lesiones graves. No observar las instrucciones siguientes de seguridad podria resultar en lesiones graves o en la muerte.



## **Advertencia:**

El escape del motor de este producto contiene sustancias quimicas conocidas por el Estado de California como causantes de cancer, defectos de nacimiento u otras lesiones reproductivas. Esta unidad esta equipada con un motor de combustion interna y no debe usarse en o cerca de tierras no mejoradas cubiertas de bosques, matorrales, y/o hierbas, a menos que el sistema de escape este equipado con un supresor de chispas que cumpla con las leyes del estado o federales aplicables (de existir). Si se usa un supresor de chispas debe ser mantenido en buenas condiciones de trabajo por el operador. En el Estado California lo indicado arriba es requerido por ley (Seccion 442 delCodigo de Recursos Publicos de California). Otros Estados pueden tener leyes similares. Las leyes federales se aplican en las tierras federales. Esta disponible un supresor de chispas para el silenciador en su Centro de Servicio Autorizado Sears mas cercano.

## ENTRENAMIENTO

- Lea cuidadosamente en su totalidad esta guía del propietario antes de tratar de ensamblar u operar esta máquina. Familiarícese completamente con los controles y el uso correcto de esta máquina antes de operarla. Mantenga este manual en un lugar seguro para referencia futura y regular y para ordenar piezas de repuesto.
- Nunca permita que niños menores de 14 años operen un expulsor de nieve. Los niños de 14 años y mayores deben operar el expulsor de nieve bajo una supervisión paterna estricta. Debe permitirse el uso de su expulsor de nieve a las personas bien familiarizadas con estas reglas de operación segura solamente.
- Nadie que esté intoxicado o que esté tomando medicinas que debiliten los sentidos o las reacciones debe operar esta unidad.
- Mantenga el área de operación despejada de todas las personas, especialmente niños pequeños y animales domésticos.
- Sea precavido para evitar resbalar o caer, especialmente al operar en marcha de retroceso.

## PREPARACION

- Inspeccione completamente el área donde se usará el equipo y retire todos los felpudos, trineos, tablas, cables y otros objetos extraños.
- Desenganche todos los embragues y cambie a neutro antes de arrancar el motor.
- No opere el equipo sin usar ropas externas de invierno adecuadas. No use joyas, bufandas largas ni otras ropas holgadas que podrían enredarse en las piezas móviles. Use calzado que mejore la firmeza de su paso sobre superficies resbaladizas.
- Apague todos los cigarrillos y otras fuentes de

encendido, antes de trabajar con gasolina.

Inspeccione el combustible antes de arrancar el motor. La gasolina es un combustible extremadamente inflamable. No llene el tanque de gasolina bajo techo, mientras esté funcionando el motor, o hasta que se haya permitido que el motor se enfríe durante dos minutos por lo menos. Antes de arrancar el motor, vuelva a colocar seguramente la tapa de gasolina y limpie toda la gasolina derramada, ya que de lo contrario puede causarse un incendio o una explosión.

- Para todas las unidades con motores de propulsión eléctrica o con motores de arranque eléctrico use un enchufe de tres cables conectado a tierra.
- Ajuste la altura del armazón colector para despejar una superficie de pedregullo o roca triturada.
- Nunca trate de efectuar ajustes mientras el motor está funcionando (excepto donde se recomiende específicamente por el fabricante).
- Antes de comenzar a despejar la nieve, permita que el motor y la máquina se ajusten a la temperatura exterior.
- Durante la operación o mientras efectúa un ajuste o reparación, use siempre lentes de seguridad o protectores de ojos, para proteger los ojos contra objetos extraños que puedan ser despedidos por la máquina en cualquier dirección.

## OPERACION

- No coloque las manos ni los pies cerca o debajo de piezas giratorias. Manténgase alejado en todo momento de la abertura de descarga y de la hélice.
- Sea muy precavido al operar o cruzar sobre entradas de pedregullo, senderos o caminos. Permanezca alerta por riesgos ocultos o tráfico.
- No transporte pasajeros.

- Después de golpear un objeto, apague el motor, extraiga el cable de la bujía, e inspeccione completamente el expulsor de nieve por averías. Antes de volver a arrancar y operar el expulsor de nieve, repare las averías.
- Si el expulsor de nieve comienza a vibrar anormalmente, apague el motor e inspeccione inmediatamente por la causa. La vibración es generalmente una advertencia de problemas.
- Apague el motor siempre que deje la posición operativa, antes de destapar el armazón del colector/propulsor o la guía de descarga, y efectuar reparaciones, ajustes, o inspecciones. Nunca coloque su mano en las aberturas de descarga o de colecta. Use un palo o un mango de madera de escobillón para destapar la abertura de descarga.
- Tome todas las precauciones posibles al dejar la unidad desatendida. Desenganche el colector/propulsor, cambie a neutro, arranque el motor, y extraiga la llave.
- Al limpiar, reparar o inspeccionar, asegúrese que se hayan detenido el colector/propulsor y todas las piezas móviles. Desconecte el cable de la bujía y manténgalo alejado de la bujía para prevenir un arranque accidental.
- No haga funcionar el motor bajo techo, excepto cuando arranque el motor y cuando transporte el expulsor de nieve dentro o fuera del edificio. Abra las puertas. Los humos de escape son peligrosos.
- No despeje nieve a través de la superficie de pendientes. Al cambiar de dirección en las pendientes sea muy precavido. No intente despejar pendientes muy pronunciadas.
- Nunca opere el expulsor de nieve sin que las guardas, placas, u otros mecanismos protectores de seguridad, estén en su lugar.
- Nunca opere el expulsor de nieve cerca de cerramientos de vidrio, automóviles, marcos de las ventanas, caídas, etc. sin el ajuste correcto del ángulo de descarga del expulsor de nieve. Mantenga alejados a los niños y a los animales domésticos.
- No intente sobrecargar la capacidad de la máquina intentando despejar la nieve a una velocidad demasiado elevada. Nunca opere la máquina a altas

velocidades de transporte sobre superficies resbalosas. Mire hacia atrás y sea precavido al retroceder.

- Nunca dirija la descarga hacia los observadores ni permita que nadie se pare delante de la unidad.
- Cuando transporte o no esté en uso desconecte la potencia al colector/propulsor.
- Use sólo aditamentos y accesorios aprobados por el fabricante del expulsor de nieve (tales como pesos de la rueda, contrapesos, cables, etc.)
- Nunca opere el expulsor de nieve sin buena visibilidad o luz. Siempre esté seguro de su equilibrio y sujete bien los mangos. Camine, nunca corra.
- El silenciador y el motor se calientan y pueden causar una quemadura. No los toque.

## MANTENIMIENTO Y ALMACENAMIENTO

- Inspeccione los pernos de corte, pernos de montaje del motor, etc., a intervalos frecuentes para un ajuste correcto para asegurarse que el equipo esté en una condición segura de trabajo.
- Nunca almacene la máquina con combustible en el tanque de combustible dentro de un edificio donde estén presentes las fuentes de encendido, tales como calentadores de agua y ambiente, secadoras de ropa, y similares. Permita que el motor se enfríe antes de almacenar en cualquier recinto.
- Si el expulsor de nieve va a ser almacenado durante un período prolongado de tiempo, refiérase siempre a las instrucciones en la guía del propietario para detalles importantes.
- Haga funcionar la máquina por unos pocos minutos después de expeler la nieve, para prevenir la congelación de colector/propulsor.
- Inspeccione periódicamente los controles del embrague para verificar que se enganchen y desenganchen adecuadamente y reajuste si fuera necesario. Para las instrucciones de ajuste refiérase a la guía del propietario.



**Advertencia:** Busque este simbolo para indicar precauciones importantes de seguridad. ¡¡¡significa - atencion!!! ¡¡¡este alerta!!! esta en juego su se-uridad.

Estos figuran en su unidad. Aprenda y entienda su significado, y sígalos para asegurar la operación segura de su expulsor de nieve Sears.



# CONJUNTO DE FERRETERIA DE FERRETERIA

Despliegue la ferretería de acuerdo con la ilustración para fines de identificación. Las piezas están ilustradas a la mitad de su tamaño aproximadamente. Los números de pieza se muestran entre paréntesis.

<p><b>A</b></p> <p>Perno Hexagonal (2) 5/16-18 x 1.75"</p> <p>Perno Hexagonal (2) 5/16-18 x 0.75"</p> <p>Aleta del Mango (2)</p> <p>Arandela de Seguridad</p>	<p><b>B</b></p> <p>Perno del Carro (4) 5/16-18 x 1.50"</p> <p>Arandela Acopada (4)</p> <p>Tuerca hexagonal (4)</p>			
<p><b>C</b></p> <p>Perno Hexagonal (2) 1/4-20 x 0.75"</p> <p>Arandela (2)</p> <p>Tuerca Hexagonal (2)</p>	<p><b>D</b></p> <p>Perno hexagonal (6) 1/4-20 x 0.75"</p> <p>Tuerca con reborde (6)</p> <p>Retén del reborde de la canaleta (3)</p>		<p><b>E</b></p> <p>Arandela Plana (2)</p> <p>Broche de Cabello (2)</p> <p>Casquillo</p>	
<p><b>F</b></p> <p>Arandela Plana</p> <p>Tuerca Hexagonal (2)</p>			<p><b>G</b></p> <p>Arandela Plana (2)</p> <p>Broche de Cabello</p>	<p><b>Piezas de Repuesto</b></p> <p>Perno de corte (2)*</p> <p>Arandela de Seguridad (2)*</p> <p>Tuerca Hexagonal (2)**</p> <p>* Utilizado en el helices ** Utilizado en palanca del embrague</p>
<p><b>NOTA:</b> Para la identificación fácil, la dimensión de los pernos se da junto con descripciones aquí.</p>			<p><b>H</b></p> <p>Tornillo Phillips (2)</p> <p>Gatillo de giro (2)</p> <p>Tuerca soldada plana (2)</p> <p>Amarre del Cable (2)</p>	

# ENSAMBLADO

**IMPORTANTE:** Esta unidad ha sido despachada con aceite del motor **pero sin gasolina** en el motor. Después del ensamblado, vea la sección de OPERACION de este manual para selección y llenado de combustible.

**NOTA:** Para determinar los lados derecho e izquierdo de su expulsor de nieve, párese detrás de la unidad con el motor en la posición más alejada de usted.

Su expulsor de nieve ha sido completamente ensamblado de fábrica, excepto el mango y el panel del mango, el conjunto de la canaleta de descarga, el conjunto de la manivela de la canaleta y la vara de cambios. Esas partes se despachan sueltas en la caja.

## Extracción De La Unidad De La Caja

- Corte las esquinas de la caja.
- Extraiga todas las inserciones de empaque..
- Ruede el expulsor de nieve fuera de la caja.
- Antes de descartar la caja, asegúrese que se hayan extraído todas las partes y la literatura.

## Piezas Sueltas

(Vea la Figura 1)

- a. Panel del mango y conjunto de la canaleta
- b. Mango del lado derecho
- c. Mango del lado izquierdo
- d. Conjunto de la manivela de la canaleta
- e. Vara de cambios
- f. Conjunto de ferretería
- g. Manual del propietario (no se muestra en la Figura 1)

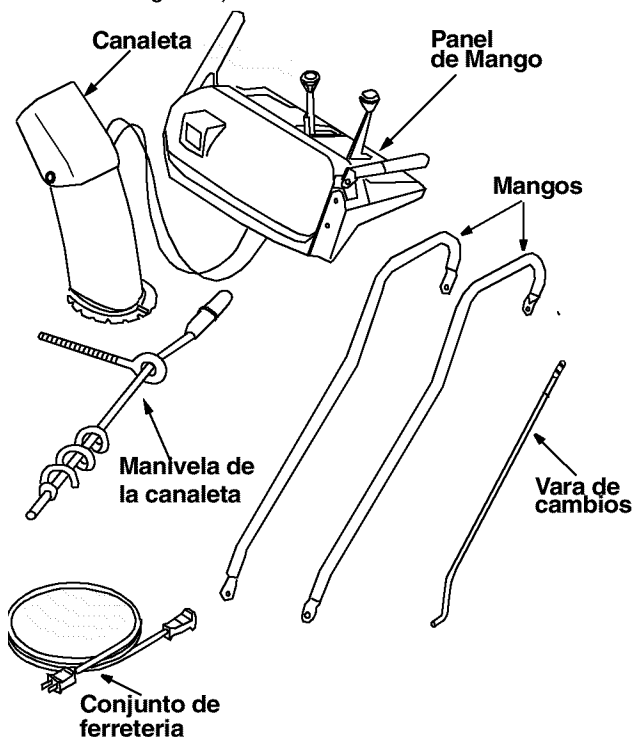


Figura 1

Sugerencias de ensamblado: Para facilitar el ensamblado, extraiga la canaleta de la caja y colóquela sobre el motor. No desenvuelva la canaleta hasta después de instalar el panel del mango, los cables del embrague y la cubierta de la correa.

## Herramientas Requeridas

1. Llaves de 1/2", 7/16", 3/8" o un juego de llaves ajustables
2. Un juego de destornilladores de cabezal phillips
3. Embudo



**ADVERTENCIA:** Antes de ensamblar el expulsor de nieve asegúrese que el cable de la bujía esté desconectado y aléjese de la bujía.

## Fijación Del Conjunto Del Mango

- Estire los cables de control y coloque sobre el piso. Coloque el mango derecho en posición con el lado plano contra el expulsor de nieve. *Usted puede identificar el mango derecho por la etiqueta del control del propulsor de tracción sobre el mismo y el mango izquierdo por la etiqueta del control del embrague de la hélice sobre el mismo.*
- Asegure el orificio del fondo del mango al expulsor de nieve usando pernos hexagonales de 5/16x3/4" de largo y la arandela de seguridad del conjunto de ferretería (Grupo A en la página 42 ). No ajuste en este momento. Vea la Figura 2.

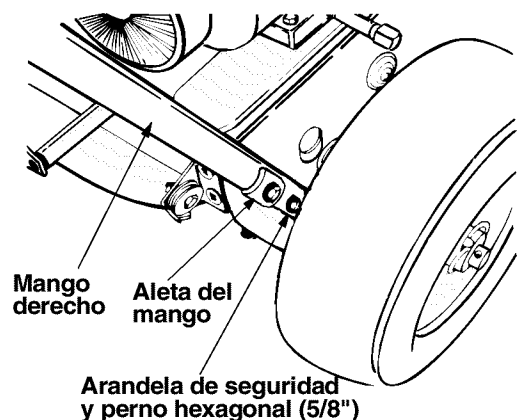


Figura 2

- Coloque una de las dos aletas del mango, incluidas en el conjunto de ferretería (Grupo A en la página 42), sobre el orificio superior en el mango, de manera que el contorno de la aleta del mango coincida con el del mango. Vea la Figura 2.
- Asegure el mango al expulsor de nieve usando un perno hexagonal (5/16 x 1-3/4" de largo) y una arandela de seguridad del mismo grupo en el conjunto de ferretería. No ajuste en este momento.
- Fije el mango izquierdo de la misma manera. No ajuste en este momento.

- Coloque el panel del mango en posición entre los mangos de manera que los extremos de la parte curvada de los mangos atraviesen las ranuras en el panel del mango. Alinee los orificios en el mango con los orificios en los dos lados del panel del mango. Vea la Figura 3.

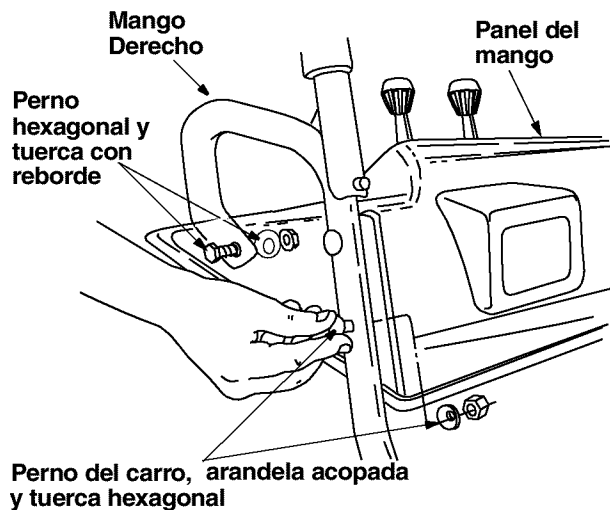


Figura 3

- Fije el panel del mango al mango con dos pernos del carro, arandelas acopadas (lado acopado contra el panel del mango) y tuercas hexagonales de cada lado. Vea la Figura 3. Usted encontrará esos sujetadores en el conjunto de la ferretería (Grupo B en la página 42). Alinee el contorno de la cabeza del perno del carro con el mango.
- Fije cada lado del reverso del panel del mango con un perno hexagonal de y tuerca con reborde del conjunto de la ferretería (Grupo C en la página 42). Vea la Figura 3. No ajuste en este momento. Repetir en el otro lado.

## Fijación De La Canaleta

- Coloque el conjunto de la canaleta sobre la abertura de la canaleta, con la abertura en el conjunto de la canaleta enfrentando la parte delantera de la unidad.

**NOTA:** Asegúrese que los cables de la canaleta estén rectos mientras ensambla la canaleta.

- Coloque la guarda de la brida de la canaleta (lado plano hacia abajo) debajo del reborde del conjunto de la canaleta según se muestra en la Figura 4. Usted encontrará las guardas de la brida de la canaleta en el Grupo D del conjunto de la ferretería.
- Inserte el perno hexagonal de 1/4-20 del grupo D del conjunto de ferretería (en la página 42) a través de la guarda de la brida de la canaleta y del conjunto de la canaleta según se muestra en la Figura 4. No ajuste en este momento. Gire la canaleta para instalar todas las guardas de la brida.

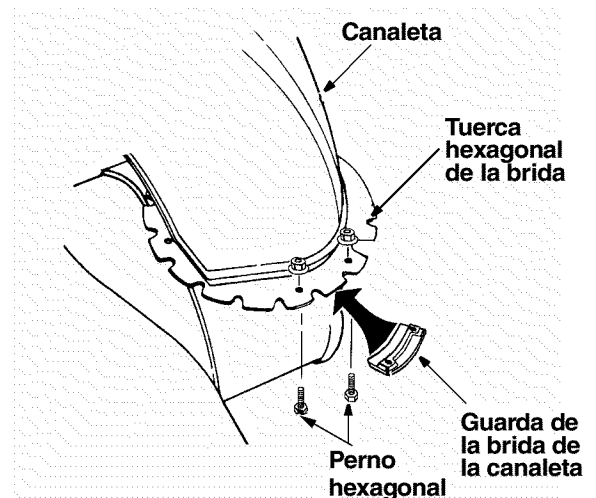


Figura 4

- Después de ensamblar todas las tres guardas de la brida de la canaleta, ajústelas y afloje 1/4 de vuelta para permitir un movimiento más fácil de la canaleta. Use dos (2) llaves de 7/16".

## Fijación Del Control Direccional De La Canaleta

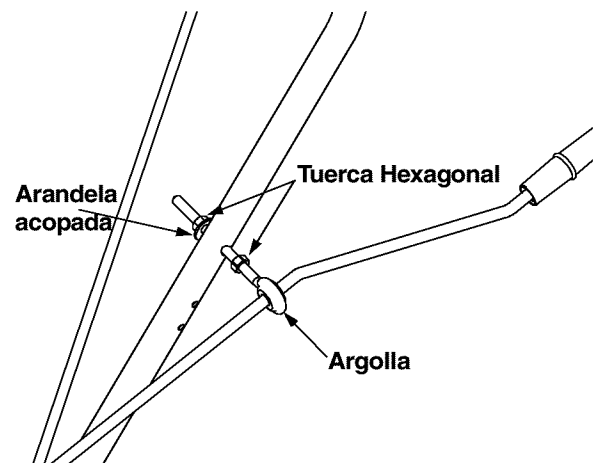


Figura 5

- Roscar una tuerca hexagonal, del grupo F, sobre la argolla del conjunto de control direccional de la canaleta hasta que haya dos pulgadas de rosca por lo menos, mostrando entre la tuerca y el cabezal de la argolla. Ver el recuadro de la Figura 5.
- Colocar la argolla dentro del orificio ubicado a mitad del recorrido del mango izquierdo. Asegurar con la arandela acopada y la tuerca hexagonal (del grupo F) asegurándose que el lado acopado de la arandela toque el mango.
- Aflojar las dos tuercas hexagonales que aseguran la ménsula inferior de soporte del control direccional (ver el recuadro de la Figura 6) al armazón de limpiadora de nieve.

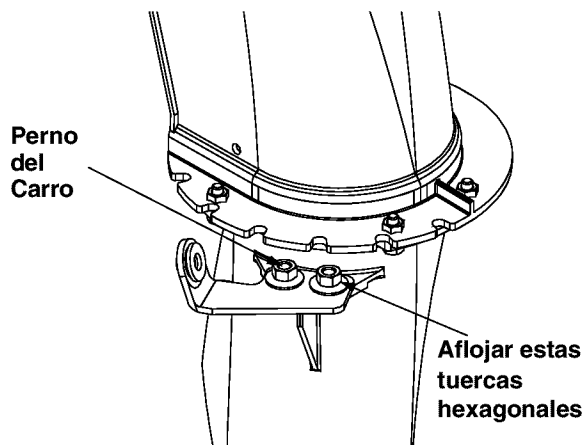


Figura 6

- Colocar una arandela plana, del grupo G, sobre el extremo del control direccional de la canaleta, a continuación insertar el control direccional de la canaleta dentro del orificio en el manguito plástico en la ménsula de la canaleta. Ver la Figura 6.
- Colocar la arandela plana restante en el control direccional de la canaleta, y asegurar con el broche de cabello. Ver la Figura 7.

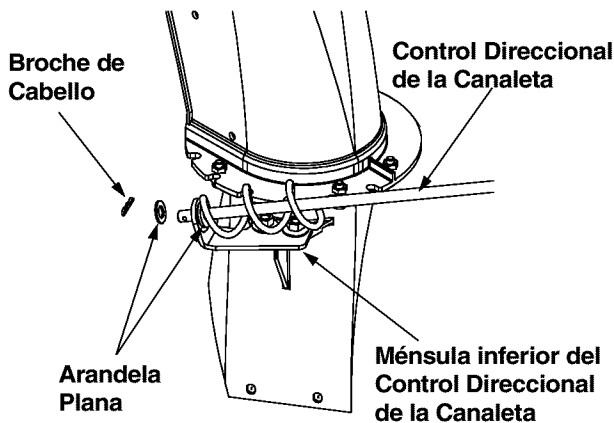


Figura 7

- Deslice los cables que se extienden desde el panel del mango a la canaleta dentro de la guía de cable ubicada al tope del motor. Vea la Figura 8.

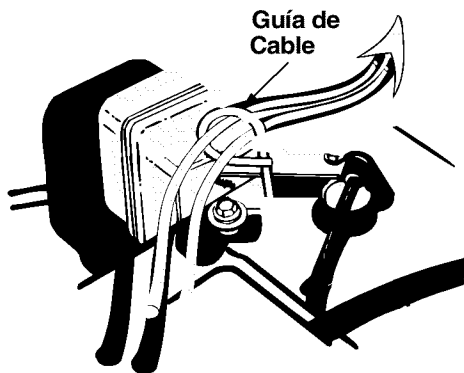


Figura 8

- Ajuste toda la ferretería floja en el conjunto del mango en el siguiente orden-primero los pernos hexagonales al fondo del mango, a continuación los pernos del carro y finalmente los pernos hexagonales en el reverso del panel del mango.

## Fijación De Los Cables Del Embrague

Los cables de control del embrague están fijados a la limpiadora de nieve. Si los cables están fijados al tope del motor con amarras de cable, corte las amarras ahora. Los extremos en Z de los cables del embrague están enganchados dentro de las empuñaduras de cada manija.

- Asegúrese que haya una contratuerca enroscada toda hasta la porción enroscada del adaptador en Z; se proveen extras en el conjunto de ferretería. Vea la Figura 9.
- Coloque la manija del embrague en la posición elevada (up).

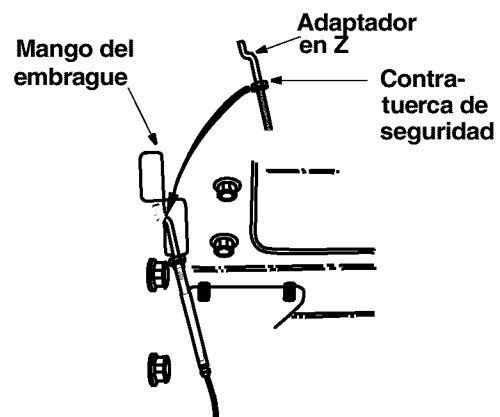


Figura 9

- Gire hacia arriba la espiral sin fin izquierda asegurándose que el cable esté encaminado correctamente en las guías del rodillo del cable ubicados en la parte posterior inferior de la unidad.
- Sujete el extremo del cable en el tambor de manera que el casquillo gire libremente sin torcer el cable. Enrosque el casquillo en el adaptador en Z. Para aliviar la tensión usted puede tener que tirar ligeramente del cable. Mantenga girando el casquillo *sin torcer* el cable.
- Usted alcanzará un ajuste correcto cuando haya un exceso mínimo en el cable pero no está ajustado. Sujete las áreas planas del casquillo con pinzas y ajuste la contratuerca contra el casquillo.

**Precaution:** Los cables se aflojarán si usted no ajusta la contratuerca.



**Advertencia:** No debe haber tensión en ninguno de los cables del embrague con el propulsor o la empuñadura del embrague de la espiral sin fin en la posición desenganchada (up). Esos embragues son una característica de seguridad. No cancele su función permitiendo que exista tensión en cualquiera de los cables con los embragues desenganchados.

## Fijación De La Vara De Cambios

- Coloque la palanca de cambios en la posición de sexta (6) velocidad.

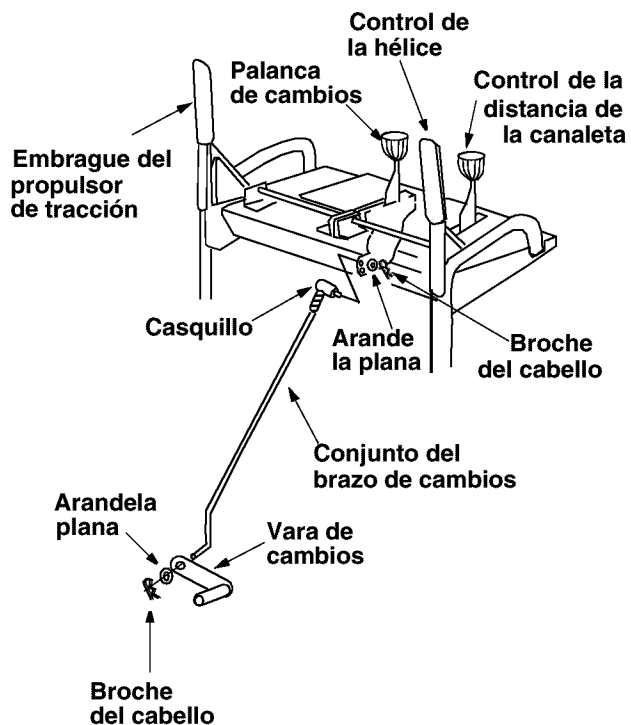


Figura 10

- Coloque el extremo doblado de la vara de cambio dentro del orificio en el conjunto del brazo de cambios. Vea la Figura 10. Asegure con la arandela plana de 5/16 y el broche de cabello del conjunto de ferretería (grupo E).
- Comience a enroscar el casquillo (incluido en el mismo grupo en el conjunto de ferretería) dentro del otro extremo de la vara de cambios. Tiene que alinearse con el orificio superior en la palanca de cambios (debajo del panel del mango). Mientras alinea el casquillo, empuje hacia abajo la vara de cambios y el conjunto del brazo de cambios tanto como pueda.
- Una vez que el casquillo se desliza dentro del orificio, gírelo en sentido contrario a las agujas del reloj una vuelta completa e inserte en el orificio en la palanca de cambios.

**NOTA:** Puede ser necesario mover la palanca de cambios fuera de la posición de sexta velocidad y moverla hacia la posición de quinta velocidad hasta que el casquillo se deslice dentro del orificio sin fuerza.

- Asegure el casquillo a la palanca de cambios con otra arandela plana de 5/16 y broche del cabello del grupo D del conjunto de ferretería. Vea la Figura 10.
- Antes de operar el expulsor de nieve, asegúrese de inspeccionar el ajuste correcto de la vara de cambios según las instrucciones de la sección de Ajustes.

## Fijación De Los Gatillos De Giro

- Alimente el cable del gatillo a través del lado exterior de la ranura en el panel del mango. No alimente el cable a través del mismo lado de la ranura que el adaptador en Z.

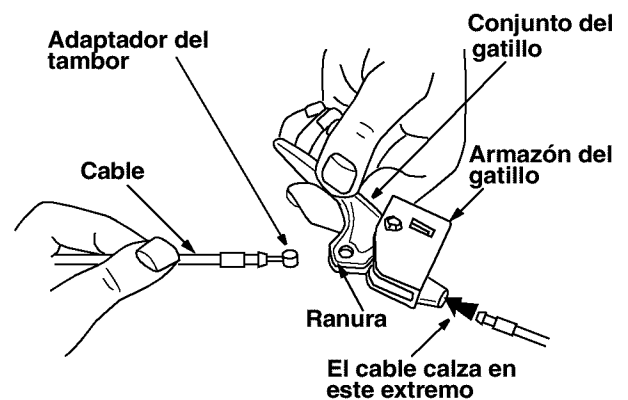


Figura 11

**NOTA:** Usted no puede tirar del cable fuera del armazón del mismo, cuando el cable esté correctamente instalado.

- Asegúrese que el cable del gatillo de la mano derecha esté encaminado al frente del cable propulsor de tracción.
- Coloque el adaptador del tambor del cable dentro del orificio del gatillo. Usted puede encontrar los gatillos y la ferretería relacionada en el grupo H del conjunto de ferretería (en la página 42).
- Tire del cable y gírelo alrededor del fondo del gatillo, con el cable interior en la ranura, hasta que el extremo del cable pueda ser empujado dentro del armazón del gatillo y calzado firme. Vea la Figura 11.
- Coloque en posición el gatillo de giro a la derecha debajo del mango derecho. Asegure con el tornillo y suelde la tuerca del Grupo H del conjunto de ferretería. Vea la Figura 12. Usted necesitará un destornillador phillips para ajustar el tornillo. Repetir el el otro lado.

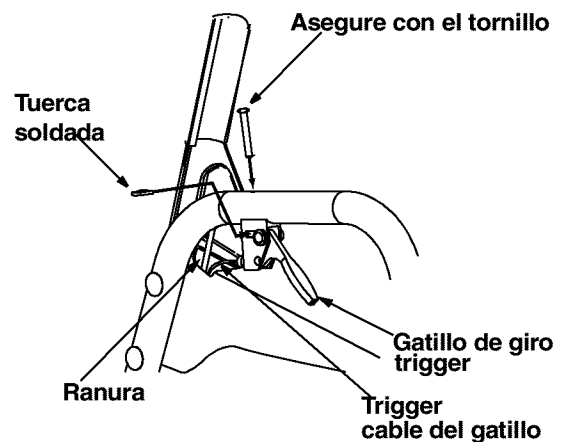


Figura 12

- Asegure el cable del gatillo de giro a la derecha al mango derecho inferior, usando el amarre de cable provisto en el conjunto de ferretería. Vea la Figura 13.

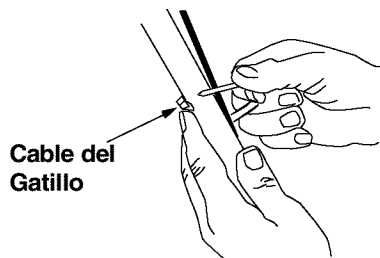


Figura 13

- Asegure el cable del gatillo de giro izquierdo de la misma manera.
- Corte los extremos excesivos de cada amarre de cable.

**NOTA:** El amarre del cable del lado derecho debe usarse para evitar el contacto con el brazo móvil de cambios de la transmisión.

## Cableado De La Lámpara

- Envuelva el cable de la lámpara hacia abajo del mango derecho. Enchufe el cable dentro del cable guía del alternador debajo del tanque de combustible. Vea la Figura 14.

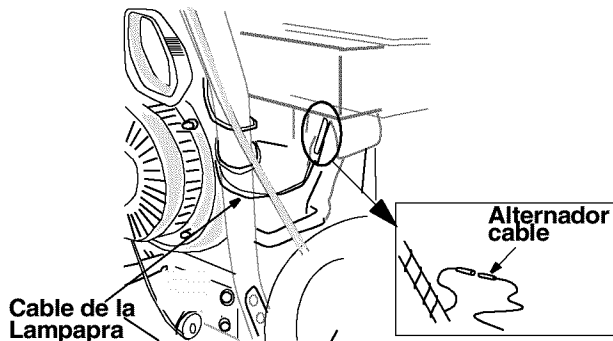


Figura 14

## Ajustes Finales

**IMPORTANTE:** Ensamble su expulsor de nieve, a continuación inspeccione los ajustes según las instrucciones y efectúe los ajustes finales necesarios antes de operar la unidad. El no seguir las instrucciones puede causar averías al expulsor de nieve.

### Control De La Hélice

- Para inspeccionar el ajuste del control de la hélice, empuje hacia adelante sobre la empuñadura izquierda del embrague hasta que esté comprimido el amortiguador de goma. Debe haber exceso en el cable del embrague.
- Suelte la empuñadura del embrague. El cable debe estar recto. Asegúrese de poder bajar completamente el mango de control de la hélice contra el mango izquierdo.

- Si es necesario ajustar, afloje la tuerca de seguridad hexagonal y enrosque el cable hacia adentro (para menos exceso) o hacia afuera (para más exceso).
- Vuelva a inspeccionar el ajuste. Ajuste la tuerca de seguridad contra el cable cuando se alcanza el ajuste correcto.

### Ajuste Del Control Del Propulsor De Tracción

- Para inspeccionar el ajuste del control del propulsor de tracción y de la palanca de cambios, mueva la palanca de cambios todo el recorrido hasta la sexta (6) posición.
- Con el control del propulsor de tracción desenganchado, mueva los gatillos hacia arriba hasta el mango y a continuación empuje el expulsor de nieve hacia adelante para verificar que giren las wheel. Suelte el control del propulsor de tracción y tire nuevamente del arrancador. La unidad no debe moverse.
- Antes de proceder con el ajuste, inspeccione para asegurarse que la **bujía está desconectada**.
- Si el control del propulsor de tracción requiere ajustes, afloje la tuerca de seguridad en el cable del propulsor de tracción y enrosque el cable una vuelta. Vuelva a inspeccionar el ajuste y repita según sea necesario.

### Zapata Deslizante

Puede cambiarse el espacio entre la placa raspadora y el suelo ajustando la zapata deslizante.

- Retorne la palanca de transferencia de peso (mostrada en la Figura 16) a su posición normal antes de ajustar las zapatas deslizantes.
- Para una eliminación estrecha de nieve, ajuste las zapatas deslizantes tan altas como sea posible para minimizar la separación entre la placa raspadora y el suelo.
- Para eliminar la nieve de terrenos irregulares tales como pedregullo, ajuste las zapatas deslizantes hacia abajo para crear suficiente espacio entre el borde inferior de la placa raspadora y el suelo.
- Ajuste las zapatas deslizantes aflojando las cuatro tuercas hexagonales y los pernos del carro y moviendo las zapatas deslizantes a la posición deseada. Asegúrese que toda la superficie inferior de la zapata deslizante esté apoyada sobre el suelo para evitar un desgaste irregular de las zapatas deslizantes. Vea la Figura 16.
- Vuelva a ajustar seguramente las tuercas y los pernos.

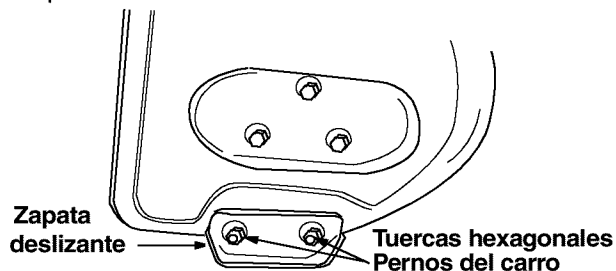


Figura 15

### **Presión De Las Ruedas (Ruedas Neumáticas)**

Para fines de transporte las ruedas están infladas en exceso.

- Inspeccionar la presión de la rueda. mantener la presión entre 15 y 20 psi. Para la presión recomendada de la rueda referirse a las paredes de la rueda.

**NOTA:** *Si la presión de la rueda no es igual en ambos neumáticos, la unidad puede desviarse hacia un lado u otro..*



**ADVERTENCIA:** La presión máxima del neumático bajo cualquier circunstancia es 30 psi. Debe mantenerse en todo momento una presión igual. Una presión excesiva (mayor de 30 psi) al pasar sobre objetos duros puede causar que el conjunto del neumático/aro explote con fuerza suficiente para causar lesiones graves.

**IMPORTANTE:** Después de ensamblar, cargar gasolina al motor, e inspeccionar el nivel de aceite según indicado en el manual separado del motor incluido con la unidad.

# OPERACION



ANTES DE HACER FUNCIONAR SU EXPULSOR DE NIEVE LEA ESTE MANUAL DEL PROPIETARIO  
 Compare las ilustraciones en este Figura 16 con su expulsor de nieve para familiarizarse con la ubicación de varios controles y ajustes. Guarde este manual para referencia futura.

La operación de un expulsor de nieve puede resultar en objetos despedidos contra los ojos, lo que puede resultar en lesiones graves de los ojos. Mientras opera el o efectúa ajustes o reparaciones al expulsor de nieve use siempre lentes de seguridad o protectores de los ojos.

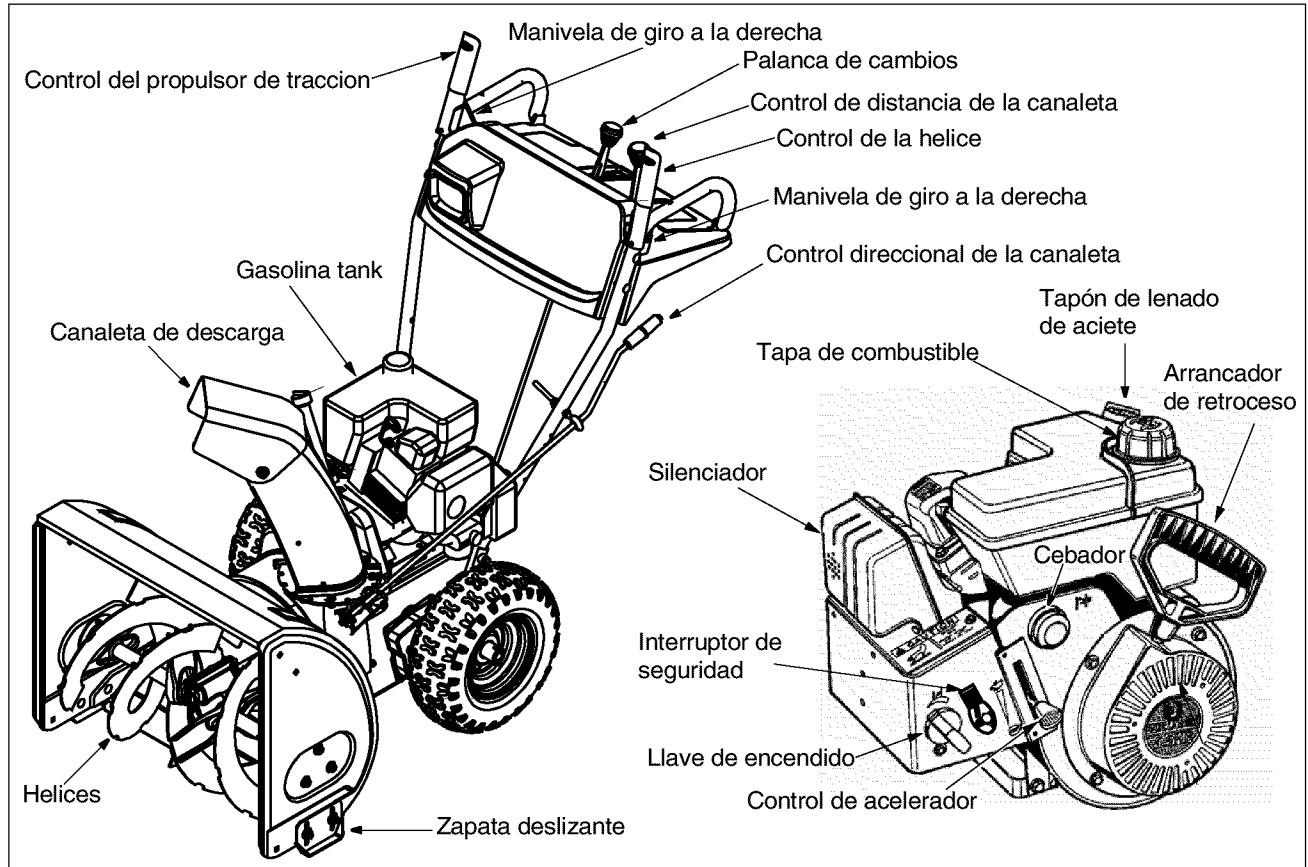


Figura 16

Figura 16

## Conozca Su Expulsor De Nieve

(Vea la Figura 16.)

### Palanca De Cambios

La palanca de cambios está ubicada en el centro del panel del mango. La palanca de cambios puede moverse a una de ocho posiciones. Use la palanca de cambios para determinar la velocidad sobre el suelo.

**Avance**—una de seis velocidades. La posición número uno (1) es la más lenta. La posición número seis (6) es la más rápida.

**Retroceso**—dos velocidades de retroceso (R). La "R" más cercana al operador (todo hacia atrás) es la más veloz de las dos.

### Control de la helice

El embrague del propulsor de la espiral sin fin está ubicado en el mango izquierdo. Apriete la empuñadura del embrague para enganchar las espirales sin fin. Suelte para detener la acción de limpieza de nieve. (Debe soltarse también el embrague del propulsor de tracción).

### Palanca Del Gatillo

Los gatillos para giro izquierdo y derecho están ubicados del lado inferior de los mangos y se usan para ayudar a manejar su limpiadora de nieve. Accione el gatillo de giro derecho cuando gire a la derecha y el gatillo izquierdo cuando gire a la izquierda.

## CUMPLE CON LOS REQUERIMIENTOS DE SEGURIDAD ANSI B71.3

Los expulsores de nieve Sears conforman con las normas de seguridad del American National Standards Institute (ANSI).

## Propulsor De Traccion/Seguro Del Embrague De La Espiral Sin Fin

El embrague del propulsor de tracción está ubicado en el mango derecho. Accione el embrague del propulsor de tracción para enganchar la rueda motriz. Suelte para parar. Esta misma palanca también fija el embrague de la espiral sin fin de manera que se puede girar la manija de la canaleta sin interrumpir el proceso de limpieza de nieve. Si se engancha el embrague del propulsor de la espiral sin fin con el embrague del propulsor de tracción enganchado, el operador puede soltar el embrague del propulsor de la espiral sin fin (en el mango izquierdo) y las espirales sin fin permanecerán enganchadas. Suelte el embrague del propulsor de tracción para detener las espirales sin fin y la rueda motriz (debe soltarse también el embrague del propulsor de la espiral sin fin).

### Control Direccional De La Canaleta

La Control Direccional de la Canaleta está ubicada del lado izquierdo de la limpiadora de nieve.

Para cambiar la dirección en la cual se limpia la nieve, gire la Control Direccional de la Canaleta como sigue:

- Gire la manija en el sentido de las agujas del reloj para descargar a la izquierda.
- Gire en sentido contrario a las agujas del reloj para descargar a la derecha.

### Control De Inclinacion De La Canaleta

La distancia a la que se despiden la nieve puede ajustarse ajustando el ángulo del conjunto de la canaleta. Mueva el control de inclinación hacia adelante para disminuir la distancia, hacia atrás para aumentarla.

### Control Del Acelerador

El control del acelerador está ubicado en el motor. Regula la velocidad del motor. Al soplar la nieve, siempre haga funcionar el motor con el acelerador en la posición rápida.

### Interruptor De Encendido De Seguridad

El interruptor de la llave de encendido debe insertarse completamente en el interruptor antes que arranque la unidad. No intente girar la llave.

### Valvula De Corte De Combustible

La válvula de corte de combustible, ubicada debajo del tanque de combustible controla el flujo de combustible del tanque. Asegúrese que no esté en la posición "off" antes de arrancar el motor.

## Detencion Del Expulsor De Nieve

- Para detener la expulsión de nieve, desenganche la palanca del propulsor de la hélice.
- Para apagar el motor, empuje la palanca de control del acelerador a OFF y extraiga la llave de encendido. No gire la llave.

## Llenado De Gasolina Y Aceite

**Preste servicio al motor con gasolina y aceite** según las instrucciones del manual del motor, empaçado separadamente con su limpiadora de nieve. **Lea cuidadosamente las instrucciones.**



**ADVERTENCIA:** Nunca llene el tanque bajo techo, con el motor funcionando o mientras el motor está caliente. No fume al llenar el tanque de combustible.

## Arrancador Eléctrico



**Advertencia:** El arrancador eléctrico está equipado con un cordón de potencia de tres conductores y un enchufe y está diseñado para operar con una corriente casera de 120 voltios de CA. Debe conectarse apropiadamente a tierra en todo momento para evitar la posibilidad de un choque eléctrico que puede ser dañino para el operador. Observe cuidadosamente todas las instrucciones. Determine que el cableado de su casa es un sistema conectado a tierra de tres conductores. Si no está seguro pregunte a un electricista licenciado. No use este arrancador eléctrico bajo ninguna condición si el sistema de cableado de su casa no es un sistema de tres conductores conectado a tierra. Si el sistema de cableado eléctrico de su casa está conectado a tierra pero no está disponible un receptáculo de tres orificios en el punto donde se usará normalmente el arrancador, debe instalarse uno por un electricista licenciado.

- *Al conectar el cordón de potencia*, conecte siempre primero el cordón al arrancador del motor, a continuación enchufe el otro extremo a un receptáculo de tres orificios conectado a tierra.
- *Al desconectar el cordón de potencia*, desenchufe siempre primero el extremo del receptáculo de tres orificios conectado a tierra.

## Arranque Del Motor



**Advertencia:** Apague el motor inmediatamente si la unidad muestra señales de movimiento (rueda motriz o espirales sin fin) con las empuñaduras del embrague desenganchadas. Reajuste según las instrucciones en la sección de "Ajuste final" de las instrucciones de Preparación.

- Fije el cable de la bujía a la bujía. Asegúrese que el bucle de metal al extremo del cable de la bujía (dentro de la bota) esté bien fijo a la punta de metal de la bujía.
- Asegúrese que la válvula de corte de combustible esté en la posición abierta (vertical).
- Asegúrese que las palancas del embrague del propulsor estén en la posición desenganchada (suelta).
- Mueva el control del acelerador a la posición FAST (RAPIDA).
- Inserte la llave de encendido en la ranura.
- Asegúrese que calce en su lugar. **No** gire la llave.

- En el caso de **arranque eléctrico** solamente siga los tres próximos pasos.
- Gire la perilla del regulador a la posición OFF.
- Oprima el botón del cebador mientras cubre el orificio de ventilación. Saque el dedo del cebador entre cebados. No cebe para arrancar un motor caliente. Si la temperatura es mayor de 15 grados F cebe dos o tres veces y cuatro veces si es menor de 15 grados F.
- Conecte el cordón de potencia a la caja del interruptor en el motor. Enchufe el otro extremo del cordón de potencia a un receptáculo de tres orificios, conectado a tierra, de 120 voltios de CA.
- Oprima el botón del arrancador para intentar arrancar el motor. Cuando el motor arranque, suelte el botón del arrancador y mueva el regulador lentamente a FULL (PLENO), y a continuación gradualmente a la posición OFF. Si el motor vacila, mueva el regulador inmediatamente a la posición FULL y a continuación mueva gradualmente a la posición OFF.

Para el **arranque de retroceso** solamente siga los tres próximos pasos:

- Gire la perilla del regulador a la posición FULL. Coloque el regulador en la posición OFF en lugar de la posición FULL, si el motor todavía está caliente.
- Oprima el botón del cebador dos o tres veces. Oprima el botón del cebador una vez solamente, si el motor está caliente.
- Sujete el mango del arrancador y tire lentamente de la sogá hasta que comience a ejercer más resistencia. Permita que la sogá se enrolle lentamente. Tire rápidamente del mango del arrancador. No permita que el mango retroceda bruscamente. Permita que se enrolle lentamente mientras sujeta firmemente el mango del arrancador. Repita hasta que el motor arranque. A medida que el motor se calienta y comienza a funcionar suavemente, gire lentamente la perilla del regulador a la posición OFF. Si el motor vacila, regrese a regulador en FULL y a continuación mueva lentamente a la posición OFF.

## Como Apagar El Motor

- Haga funcionar el motor por unos pocos minutos antes de apagar para ayudar a secar la humedad del motor.
- Proceda como sigue para **evitar una posible congelación del arrancador**.

**Arrancador eléctrico:** Conecte el cordón de potencia a la caja del interruptor del motor, a continuación a un receptáculo de 120 voltios de CA. Con el motor funcionando, oprima el botón del arrancador y gire el arrancador por varios segundos. El sonido raro emitido al girar el arrancador no dañará el motor o el arrancador. Desconecte primero el cordón de potencia del receptáculo y a continuación de la caja del interruptor.

**Arrancador a retroceso:** Con el motor funcionando, tire de la sogá del arrancador con una pasada rápida y continua con todo el brazo, tres o cuatro veces. El tirar de la sogá del arrancador producirá un sonido intenso de golpeteo, que no es dañino para el motor o el arrancador.

- Para apagar el motor, empuje todo hacia abajo la palanca del acelerador o saque la llave de encendido. No gire la llave. Desconecte el cable de la bujía de la misma para evitar un arranque accidental mientras el equipo está desatendido.

**NOTA:** *No pierda la llave de encendido. Manténgala en un lugar seguro. El motor no arrancará sin la llave de encendido.*

- Limpie toda la nieve y humedad de la cubierta del carburador en el área de las palancas de control. También, avance y retroceda varias veces las palancas de control. Deje la palanca de control del acelerador en la posición STOP u OFF. Deje el control del regulador en la posición FULL.

## Para Enganchar El Propulsor

### Enganche De La Propulsion

- Con el motor funcionando cerca de la velocidad máxima, mueva la palanca de cambios a una de las posiciones de forward (avance) o a las dos de reverse (retroceso). Seleccione una velocidad apropiada para las condiciones de nieve existentes. Use las velocidades más lentas hasta que esté familiarizado con la operación de la limpiadora de nieve.
- Oprima la empuñadura del embrague de la espiral sin fin izquierda contra el mango, para engancharla.
- Mientras la empuñadura del embrague de la espiral sin fin está enganchada, oprima la empuñadura del embrague del propulsor derecho.
- Suelte la empuñadura del embrague de la espiral sin fin izquierda, solamente. El mecanismo de interbloqueo debe mantener el embrague izquierdo enganchado hasta que se suelte el embrague derecho.

**NOTA:** *NUNCA mueva la palanca de cambios sin soltar primero el embrague del propulsor.*

### Manejo De La Limpiadora De Nieve

Las palancas de los gatillos están ubicadas en la parte inferior de los mangos y se usan para manejar su limpiadora de nieve.

**NOTA:** *El embrague del propulsor debe estar enganchado al usar los gatillos para manejar la limpiadora de nieve.*

- Para girar a la derecha, oprima la palanca del gatillo derecho y guíe la limpiadora de nieve hacia la derecha.
- Para girar a la izquierda, oprima la palanca del gatillo izquierdo y guíe la limpiadora de nieve hacia la izquierda.

- Oprima ambos gatillos para transportar la unidad cuando el motor no está funcionando.

**NOTA:** Esos controles deben usarse mientras opera su limpiadora de nieve en áreas abiertas, hasta familiarizarse con su operación.

### Enganche De Las Espirales Sin Fin

- Oprima la empuñadura del embrague de la espiral sin fin contra el mango izquierdo, para enganchar las espirales sin fin y comenzar la acción de despedir la nieve. Suelte para detener las espirales sin fin (debe soltarse también la empuñadura del embrague del propulsor de tracción).
- Puede fijarse también el embrague del propulsor de la espiral sin fin de manera que usted pueda girar la Control Direccional de la Canaleta sin interrumpir el proceso de despedir nieve. Refiérase a "Propulsión de Tracción/Fijación del Embrague de la Espiral Sin Fin" en la sección de Control.

### Presion De La Ruedas

- Las ruedas están sobreinfladas para fines de transporte. Reduzca la presión de las ruedas a 10-15 p.s.i para la operación de la limpiadora de nieve. Use ruedas neumáticas solamente en su unidad limpiadora de nieve.
- Deben usarse cadenas para ruedas (equipo opcional) siempre que se requiera una tracción adicional.

### Consejos De Operacion

**NOTA:** Dado que el motor no desarrollará su potencia plena hasta que alcance la temperatura de operación, permita que el motor se caliente por unos pocos minutos.



**Advertencia:** La temperatura del silenciador y de las áreas circundantes puede exceder 150°F. Evite esas áreas.

- Limpie la nieve inmediatamente después de caer, para una limpieza más eficiente de la misma.
- Despida la nieve en la dirección del viento siempre que sea posible. Superponga ligeramente cada pasada. La distancia a la que puede despedirse la nieve puede ajustarse alterando el ángulo del conjunto de la canaleta. Cuanto más agudo sea el ángulo más corta será la distancia a la que se despide la nieve.
- Gradúe las zapatas deslizantes a 1/4" por debajo de la barra raspadora para un uso normal. Las zapatas deslizantes pueden ajustarse hacia arriba para la nieve endurecida. Al usar sobre pedregullo o roca triturada, ajuste hacia abajo.
- Asegúrese de seguir las precauciones listadas abajo "Apagado del Motor" para prevenir una posible congelación.
- Después de cada uso limpie bien la limpiadora de nieve.



**Advertencia:** Nunca intente limpiar la canaleta ni efectuara ajustes mientras está funcionando el motor.



### Instrucciones Abreviadas de Arranque

Expulsor de Nieve	Cable de la bujía	Palancas propulsoras	Control del acelerador	Llave de encendido	Regulador	Cordón de potencia	Cebador	Arrancador	Después de arrancar
Arrancador Eléctrico	Conecte	Suelte	Mueva a FAST	Presione para calzar	Mueva a FULL	Conecte a la fuente Cebado	—	Presione el botón	1. Suelte el botón 2. Mueva el regulador a Off 3. Desconecte el cordón
Arrancador de Retroceso	Conecte	Suelte	Mueva a FAST	Presione para calzar	Mueva a FULL	—	Cebe	Tire del mango	1. Suelte el mango 2. Mueva el regulador a Off

# MANTENIMIENTO

## Recomendaciones Generales

- Observe siempre las reglas de seguridad al efectuar el mantenimiento.
- La garantía en este expulsor de nieve no cubre artículos que han estado sujetos a abuso o negligencia por el operador. El operador debe mantener el expulsor de nieve según las instrucciones de este manual, para recibir el valor completo de la garantía.
- Observe el programa de mantenimiento indicado abajo.
- Inspeccione periódicamente todos los sujetadores y asegúrese que estén bien ajustados.



**Advertencia:** Antes de efectuar cualquier ajuste o reparación, siempre apague el motor, **desconecte** el cable de la bujía y aléjelo de la bujía.

## Lubricación

(Vea la Figura 17.)

### Eje De Engranajes

- Lubrique el eje de engranajes con grasa una vez por temporada por lo menos o después de cada 25 horas de funcionamiento.

**IMPORTANTE:** Mantenga toda la grasa y aceite fuera de la rueda de fricción y de la placa propulsora.

### Mecanismo De Cambios

- Lubrique el mecanismo de cambios y los puntos de pivote en la vara de cambios con aceite de motor una vez por temporada por lo menos o después de cada 25 horas de funcionamiento.

### Propulsor De Traccion/Control Del Propulsor De Traccion

- Lubrique las levas en los extremos de las varas de control que bloquean entre sí los controles del propulsor de tracción y de la hélice una vez por temporada por lo menos o cada veinticinco horas de funcionamiento con grasa. Puede obtenerse acceso a las levas por debajo del panel del mango.

### Caja De Engranajes

- La caja de engranajes está lubricada con grasa de fábrica y no requiere inspección. Si se desarma por cualquier motivo, lubrique con 2 onzas de grasa.

### Rodamientos

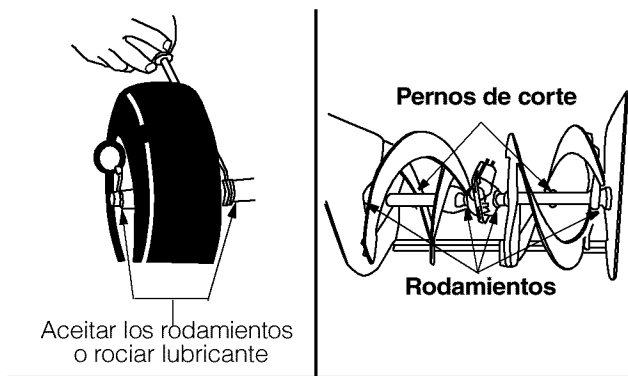
- Lubrique una vez por temporada, los rodamientos de las hélices, los rodamientos de las ruedas y los rodamientos de la sección lateral del armazón, con aceite liviano.

## Responsabilidades del cliente

PROGRAMA DE MANTENIMIENTO		ANTES DE CADA USO	DESPUES DE CADA USO	PRIMERAS 5 HORAS	CADA 25 HORAS	CADA 50 HORAS	ANTES DE ALMACENAR	FECHAS DE SERVICIO*						
PRODUCTO	Lubrique los puntos de pivote			✓		✓								
	Limpie el expulsor de nieve	✓				✓								
	Limpie la placa raspadora			✓										
	Limpie las zapatas deslizantes			✓										
	Inspeccione las correas en V					✓								
	Inspeccione la goma de la rueda de fricción			✓										
MOTOR	Inspeccione el aceite del motor	✓												
	Cambie el aceite del motor		✓	✓										
	Limpie el filtro de aire			✓										
	Inspeccione la bujía				✓	✓								
	Inspeccione el silenciador					✓								

\* Anote las fechas a medida que completa el servicio regular

✓ Marca



Aceitar los rodamientos o rociar lubricante

Pernos de corte

Rodamientos

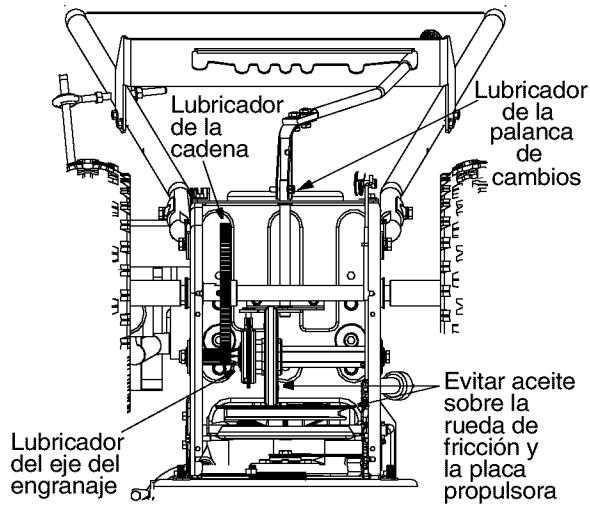
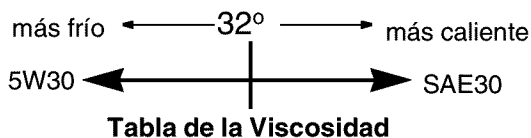


Figura 17

## Mantenimiento del Motor

### Aceite De Motor



Use aceite detergente de alta calidad solamente clasificado con la clasificación API de servicio SF, SG o SH. Seleccione el grado de viscosidad SAE del aceite de acuerdo con la temperatura operativa esperada.

**NOTA:** A pesar que los aceites de viscosidad múltiple (5W30, 10W30, etc.) mejore el arranque en tiempo frío, esos aceites de viscosidad múltiple resultarán en un consumo mayor de aceite cuando se usen a temperaturas superiores a 32°F. Para evitar averías posibles a su motor debidas a tener poco aceite, inspeccione el nivel de aceite de su expulsor de nieve más frecuentemente.

Para una selección adecuada del aceite del motor, refiérase a la tabla de viscosidad. El aceite debe estar en la marca FULL de la varilla medidora, con el motor sobre un suelo nivelado.

## Cambio De Aceite

Cambie el aceite del motor después de las primeras dos horas de operación y cada 25 horas posteriormente.

- Apague el motor y espere varios minutos antes de inspeccionar el nivel de aceite. Extraiga el tapón de llenado de aceite y a varilla medidora.
- Frote limpia la varilla medidora, insértela firmemente dentro del orificio de llenado de aceite.
- Extraiga la varilla e inspeccione. Si el aceite no está hasta la marca FULL en la varilla, agregue aceite 5W30.

Para cambiar el aceite cada 25 horas de operación, usted tendrá primero que drenar el aceite usado del motor y llenar con aceite fresco.

- Drene el aceite mientras el motor esté caliente. Extraiga el tapón de drenaje de aceite. Vierta el aceite en un recipiente adecuado. Vuelva a colocar seguramente el tapón de drenaje, cuando se ha drenado todo el aceite.
- Extraiga la varilla del tapón de llenado de aceite. Vea la Figura 17 para la ubicación del tapón de llenado de aceite. Vierta lentamente aceite fresco a través del tapón. Vuelva a colocar la varilla.
- Inspeccione y asegúrese que el nivel de aceite esté hasta la marca FULL en la varilla.



**Advertencia:** La temperatura del silenciador y de las áreas cercanas **puede exceder los 150°F (65°C)**. Evite esas áreas.

### Bujía

- Limpie el área alrededor de la base de la bujía.
- Extraiga e inspeccione la bujía.
- Reemplace la bujía si los electrodos están mellados, quemados o está agrietada la porcelana. Para más detalles refiérase al manual del motor.
- Limpia la bujía y reajuste la separación .030" una vez por temporada por lo menos o cada 50 horas de operación. Se recomienda el reemplazo de la bujía al comienzo de cada temporada. Refiérase a la lista de piezas del motor para el tipo correcto de bujía. Vea la Figura 18.

**NOTA:** No limpie la bujía con chorro de arena. La bujía debe limpiarse raspando o cepillando con un cepillo de alambre y lavando con un solvente comercial.

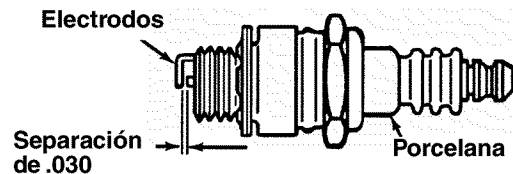


Figura 18



**Advertencia:** Antes de efectuar cualquier ajuste o reparación, siempre apague el motor, desconecte el cable de la bujía y aléjelo de la bujía. Mientras el motor está funcionando, nunca trate de limpiar la canaleta ni efectuar ajustes.

# SERVICE & AJUSTES



**Advertencia:** Antes de efectuar cualquier ajuste o reparación, siempre apague el motor, desconecte el cable de la bujía y aléjelo de la bujía. Mientras el motor está funcionando, nunca trate de limpiar la canaleta ni efectuar ajustes.

## Ajustes

### Zapata Deslizante

Puede ajustarse el espacio entre la plancha raspadora y el suelo. Para una limpieza de nieve más cercana al suelo coloque las zapatas deslizantes en la posición inferior. Cuando el área a limpiar es irregular, use la posición del medio o elevada.

- Ajuste las zapatas deslizantes aflojando las cuatro tuercas hexagonales y los pernos del carro y moviendo las zapatas deslizantes a la posición deseada.
- Asegúrese que toda la superficie inferior de la zapata deslizante esté contra el suelo para evitar un desgaste irregular de las zapatas deslizantes.
- Vuelva a ajustar bien las tuercas y pernos.

**NOTA:** No se recomienda que opere esta limpiadora de nieve sobre pedregullo ya que el pedregullo suelto puede ser fácilmente tomado y despedido por la espiral sin fin causando lesiones personales o daños a la limpiadora de nieve.

- Si por alguna razón, tiene que operar la limpiadora de nieve sobre pedregullo, mantenga la zapata deslizante en la posición superior para una separación máxima entre el suelo y la plancha raspadora.

### Embrague Del Propulsor De Traccion

Para ajustar el embrague del propulsor de tracción, refiérase a la sección de Ajuste Final de las Instrucciones de Preparación.

- Con la limpiadora de nieve inclinada hacia adelante (asegúrese de drenar la gasolina o colocar un trozo de plástico debajo de la tapa de gasolina si ya se ha operado la limpiadora de nieve), extraiga la cubierta del bastidor debajo de la limpiadora de nieve extrayendo seis tornillos autoroscantes.
- Con el embrague del propulsor de tracción suelto, debe haber separación entre la rueda de fricción y la placa del propulsor en todas las posiciones de la palanca de cambios.
- Con el embrague de tracción enganchado, la rueda de fricción debe tocar la plancha del propulsor (ilustrado en la Figura 19).

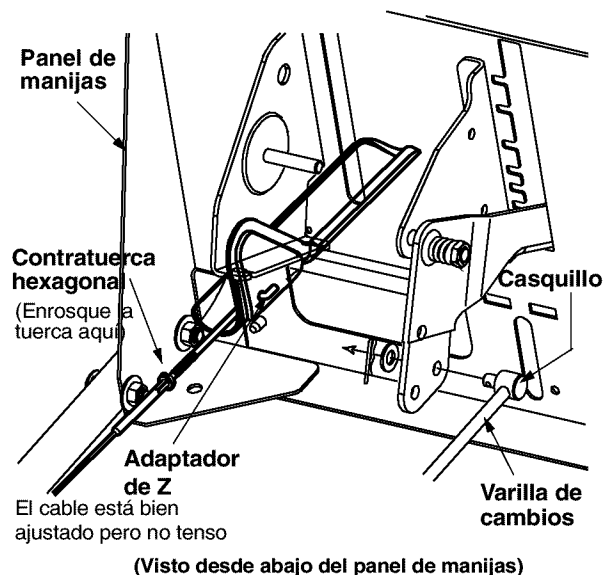
Si fuera necesario ajustar, afloje la contratuerca del cable del propulsor de tracción y enrolle el cable hacia adentro o afuera según sea necesario. Vea la Figura 19. Ajuste la contratuerca para asegurar el cable cuando se alcance el ajuste correcto.

**NOTA:** Recuerde de extraer la tela plástica si la colocó debajo de la tapa de gasolina.

### Vara De Cambios

Para ajustar la vara de cambios, proceda como sigue.

- Extraiga el broche del cabello y la arandela plana del casquillo debajo del panel de cambios. Extraiga el casquillo del orificio de la palanca de cambios. Vea la Figura 19.
- Coloque la palanca de cambios del panel del mango en la sexta (6) posición (todo hacia adelante).
- Presione hacia abajo sobre la vara de cambios (y conjunto del brazo de cambios) tan lejos como sea posible. Mantenga en esta posición.
- Enrosque el casquillo hacia arriba o hacia abajo de la vara de cambios según sea necesario hasta que el casquillo se alinee con el orificio superior de la palanca de cambios. Vea la Figura 19.
- Inserte el casquillo dentro del orificio superior de la palanca de cambios desde el lado derecho cuando el ajuste es correcto. Asegure con la arandela plana y el broche del cabello.



**Figura 19**

Inspeccione por el ajuste correcto del control del propulsor de tracción según instruido en la sección de Ajuste Final antes de operar el expulsor de nieve.

### Conjunto De La Canaleta

Puede ajustarse la distancia a la cual se despide la nieve, mediante el ajuste del ángulo del conjunto de la canaleta. Refiérase a la sección de Control de este manual.

- Los cables de control remoto de la canaleta se han preajustado de fábrica. Para ajustar el ángulo del conjunto de la canaleta, avance y retroceda la palanca de control remoto de la canaleta en el panel de control.

## Service

### Helices

Las hélices están aseguradas al eje de la espiral mediante dos pernos de corte y contratuercas hexagonales. Si usted golpea un objeto extraño o se atasca con hielo, el expulsor de nieve está diseñado de manera que los pernos hexagonales se cortarán. Vea la Figura 20.

- Si las hélices no giran, inspeccione para verificar si los pernos se han cortado.
- Reemplace si fuera necesario. Se han provisto dos pernos hexagonales y contratuercas hexagonales de repuesto con el expulsor de nieve.

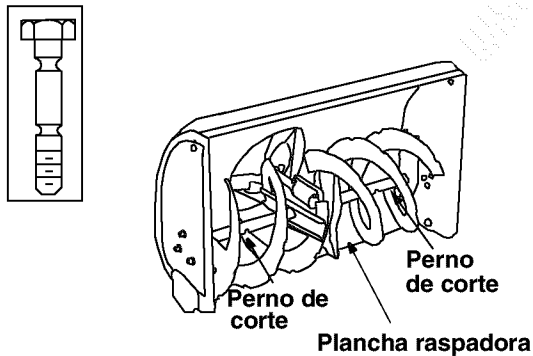



Figura 20

### Plancha Raspadora Y Zapatas Deslizantes

La plancha raspadora y las zapatas deslizantes en la parte inferior de la limpiadora de nieve están sujetas a desgaste. Las mismas deben inspeccionarse periódicamente y reemplazarse cuando fuera necesario.

- Extraiga los cuatro pernos del carro, arandelas Belleville y tuercas hexagonales que fijan las zapatas deslizantes a la limpiadora de nieve de dos lados.
- Reensamble las nuevas zapatas deslizantes con los cuatro pernos de carro, arandelas Belleville (el lado acopado se coloca contra las zapatas deslizantes) y tuercas hexagonales. Asegúrese que las zapatas deslizantes se ajusten para ser niveladas.
- Para extraer la plancha raspadora, extraiga la zapata deslizante y el resto de la ferretería incluyendo pernos de carro, arandelas Belleville y tuercas hexagonales que fijan la plancha raspadora al bastidor de la limpiadora de nieve.
- Reensamble la nueva plancha raspadora, asegurándose que las cabezas de los pernos de carro estén del lado interior del bastidor. Vuelva a instalar la zapata deslizante. Ajuste bien.

### Reemplazo De La Correa

 **Advertencia:** Desconecte el cable de la bujía de la bujía y de la conexión a tierra.

### Correas De La Espiral Sin Fin

- Reemplace la cubierta plástica de la correa al frente del motor, extrayendo los dos tornillos autoroscantes. Vea al Figura 21.

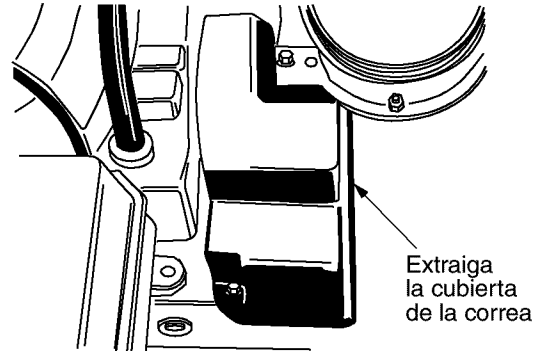


Figura 21

- Desconecte el conjunto de la Control Direccional de la Canaleta extrayendo el broche de cabello y las dos arandelas planas. Vea la Figura 22.

Extraiga el broche de cabello y la arandela plana

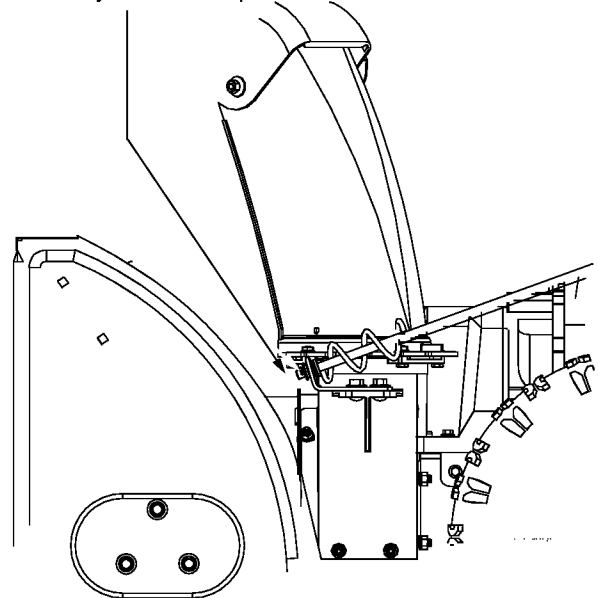
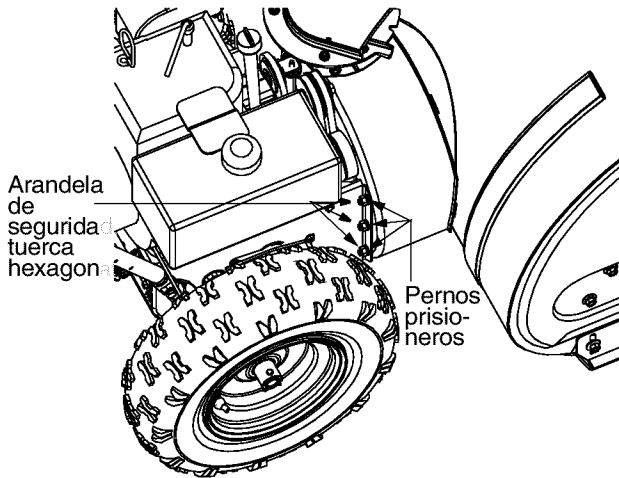


Figura 22

- Extraiga las seis tuercas hexagonales y arandelas de seguridad que fijan el conjunto del bastidor de la espiral sin fin al conjunto del bastidor. Vea la Figura 23.

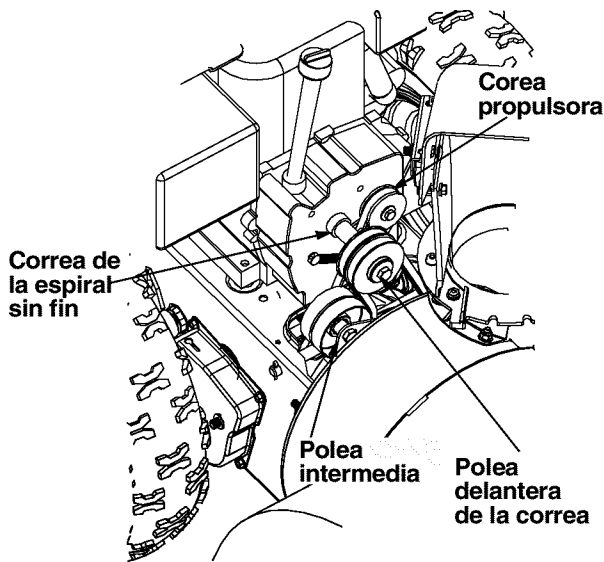


**Advertencia:** No intente cambiar la correa de la espiral sin fin sin la ayuda de un asistente. Es muy importante que una persona, parada en la posición operativa, sujete firmemente el bastidor de la limpiadora de nieve para evitar que vuelque mientras que la otra persona reemplaza la correa. El no hacerlo así puede resultar en lesiones.



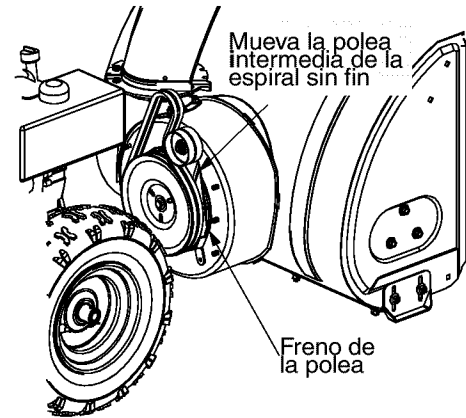
**Figura 23**

- Parándose en la posición operativa, levante de las manijas y tire hacia atrás el conjunto del bastidor. Se separarán el bastidor y la armadura y saldrá de la polea la correa de la espiral sin fin posterior. Mantenga el control del conjunto del bastidor al tirar del mismo.
- Extraiga las dos correas de las dos poleas del motor. Vea la Figura 24 para la ubicación de las poleas.



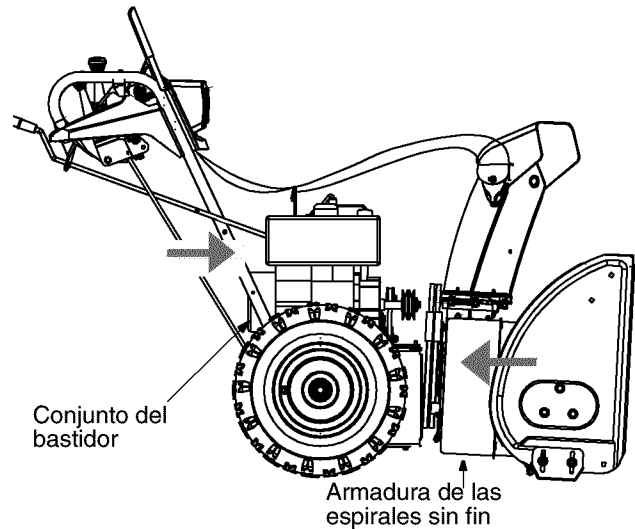
**Figura 24**

- Para extraer la correa propulsora de la espiral sin fin delantera, empuje la polea intermedia hacia la izquierda. La ménsula de la correa debe moverse hacia afuera. Vea la Figura 25. Levante la correa propulsora de la espiral sin fin delantera de la polea de la espiral sin fin delantera.



**Figura 25**

- Coloque nuevas correas en las dos poleas de las espirales sin fin asegurándose que la correa de la espiral sin fin delantera esté debajo del freno de la polea. Encamine las correas debajo de y hacia la izquierda de la polea plana intermedia. Mantenga las correas hacia arriba en esta posición.
- Al levantar de las manijas, acerque el conjunto del bastidor a la armadura de las espirales sin fin y coloque las dos correas en las poleas delantera y posterior del motor. Vea la Figura 26.



**Figura 26**

- Nivele el conjunto del bastidor e incline hacia adelante la armadura de las espirales sin fin para alinear los pernos prisioneros con los orificios correspondientes a ambos lados del conjunto del bastidor. Empuje el conjunto del bastidor completamente sobre los pernos prisioneros de la armadura de las espirales sin fin.

**NOTA:** Sea precavido para evitar apretar el cable de control.

- Del lado del conjunto del bastidor, inserte seis arandelas de seguridad y tuercas hexagonales en

los pernos prisioneros. Estas piezas de ferretería fueron extraídas antes. Ajuste bien las tuercas.

- Vuelva a instalar la cubierta de la correa en la parte delantera del motor con los dos tornillos autoroscantes y las arandelas planas.
- Vuelva a fijar la Control Direccional de la Canaleta al conjunto de la canaleta con el broche de cabello y la arandela plana.

**NOTA:** Asegúrese que el cable de la espiral sin fin esté encaminado al frente de la correa.

### Correa Propulsora

- Drene la gasolina de la limpiadora de nieve o coloque un trozo de plástico debajo de la tapa de gasolina.
- Extraiga la cubierta plástica de la correa al frente del motor extrayendo los dos tornillos autoroscantes.
- Incline la limpiadora de nieve hacia arriba y adelante de manera que se apoye sobre la armadura.
- Extraiga los seis tornillos autoroscantes de la cubierta del bastidor debajo de la limpiadora de nieve. Separe la polea intermedia de la polea del propulsor y extraiga la polea de la polea del motor. Encontrará la polea intermedia en la parte delantera del motor y debajo de la cubierta de la correa que extrajo previamente. Vea la Figura 27.
- Trabajando desde la parte inferior del bastidor, deslice la correa entre la rueda de fricción y el disco de la rueda de fricción. Vea la Figura 27. Usted puede tener que retorcer plana la correa para deslizarla por la separación entre la rueda de fricción y el disco de la rueda de fricción. Extraiga completamente la correa.
- Coloque la nueva correa. Reensamble siguiendo las instrucciones en orden inverso.

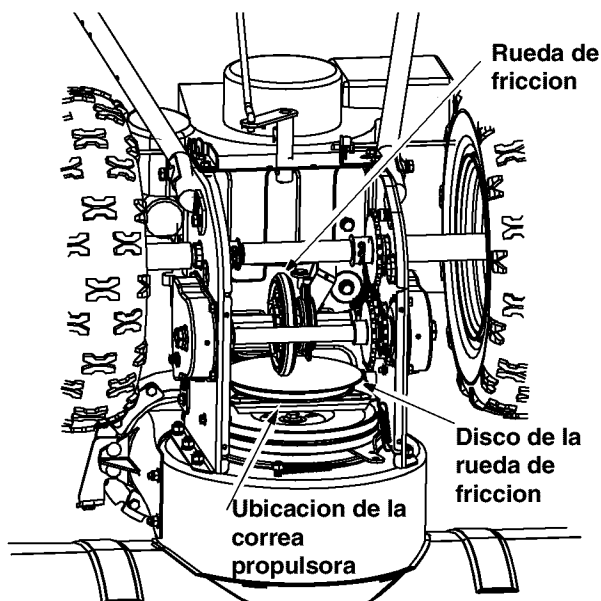


Figura 27

## Cambio De La Goma De La Rueda De Friccion De Friccion

Inspeccione la goma de la rueda de fricción después de 25 horas de operación y periódicamente después. Si se hallan señales de desgaste o grietas, reemplace la goma.

- Drene la gasolina de la limpiadora de nieve o coloque un trozo de plástico debajo de la tapa de gasolina.
- Incline la limpiadora de nieve hacia arriba y adelante de manera que se apoye sobre la armadura.
- Extraiga los seis tornillos de la cubierta del bastidor, debajo de la limpiadora de nieve.
- Extraiga la clavija clik que asegura la rueda izquierda y extraiga la rueda del eje.
- Extraiga los cuatro tornillos que aseguran la cubierta del propulsor izquierdo al bastidor. Extraiga la cubierta del propulsor del lado del bastidor. Vea la Figura 28.

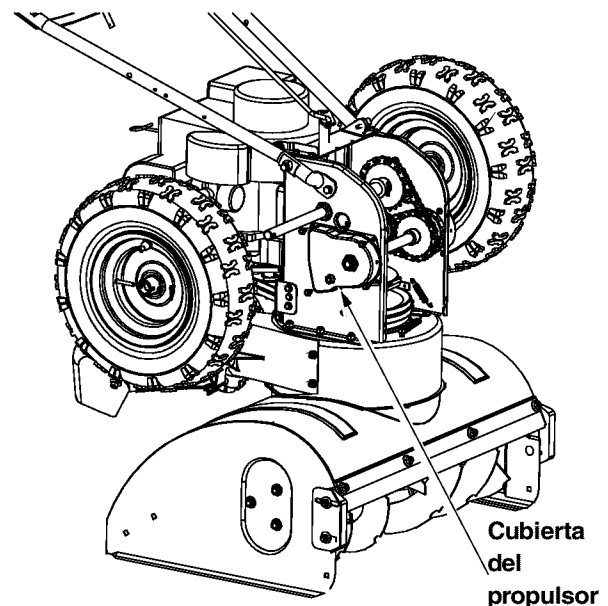


Figura 28

- Sujetando el conjunto de la rueda de fricción, deslice el eje hexagonal fuera del lado izquierdo de la unidad. Caerá el separador del lado derecho del eje hexagonal y el piñon deberá colgar suelto en la cadena.
- Levante el conjunto de la rueda de fricción entre el eje y los conjuntos del eje propulsor.
- Extraiga los seis tornillos de ambos lados del conjunto de la rueda. Extraiga la goma de la rueda de fricción de entre la plancha de la rueda de fricción.
- Reensamble la nueva goma de la rueda de fricción al conjunto de la rueda de fricción, ajustando los seis tornillos en rotación y con igual fuerza.

**NOTA:** Es importante ensamblar simétricamente la goma en la rueda de fricción para un funcionamiento apropiado.

- Inserte la clavija del conjunto del brazo de cambios dentro del conjunto de la rueda de fricción y mantenga el conjunto en posición. Vea la Figura 29.

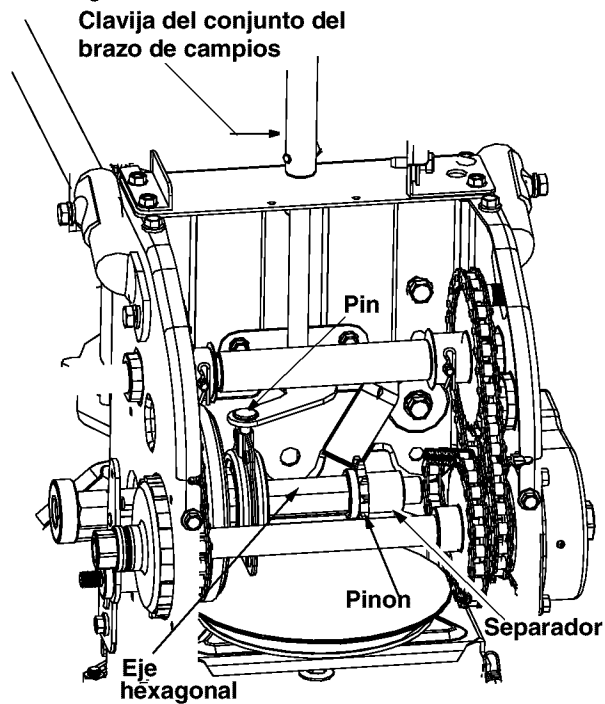


Figura 29

- Deslice el eje hexagonal a través del lado izquierdo de la armadura y a través del conjunto de la rueda de fricción.
- Inserte el eje hexagonal a través del piñón y del separador. Vea la Figura 33. Asegúrese que la cadena enganche los piñones pequeño y grande.

**NOTA:** Coloque el piñón en el eje hexagonal, si el mismo cayó de la limpiadora de nieve al extraer el eje hexagonal. Coloque en posición el cubo hexagonal del piñón hacia la rueda de fricción al deslizar el piñón sobre el eje hexagonal.

- Alinee el eje hexagonal con el rodamiento derecho y guíe cuidadosamente el rodamiento izquierdo dentro del lado izquierdo de la armadura.
- Reensamble la cubierta del propulsor con los cuatro tornillos que se extrajeron antes.

**NOTA:** Asegúrese de extraer el trozo de plástico colocado debajo de la tapa de gasolina, de haberlo colocado.

# ALMACENAMIENTO DE FUERA DE TEMPORADA

## Preparación Del Motor

Si la unidad va a almacenarse por más de 30 días, prepare para almacenamiento como sigue:



**Advertencia:** Es importante evitar que se formen depósitos de goma en las partes esenciales del sistema de combustible del motor tales como el carburador, filtro de combustible, manguera de combustible o tanque durante el almacenamiento. También, la experiencia indica que los combustibles mezclados con alcohol (llamados gasohol o usando etanol o metanol) pueden atraer humedad que conduce a la separación y formación de ácidos durante el almacenamiento. El gas ácido puede averiar el sistema de combustible de un motor mientras esté en almacenamiento.

- Extraiga toda la gasolina del carburador y del tanque de combustible para prevenir que se formen depósitos de goma sobre esas piezas y causando un mal funcionamiento posible del motor.
- Haga funcionar el motor hasta que se vacíe el tanque de combustible y el motor se apague debido a la falta de combustible.
- Drene el carburador presionando hacia arriba sobre el drenaje del tazón, ubicado debajo de la cubierta del carburador. Vea la Figura 30.

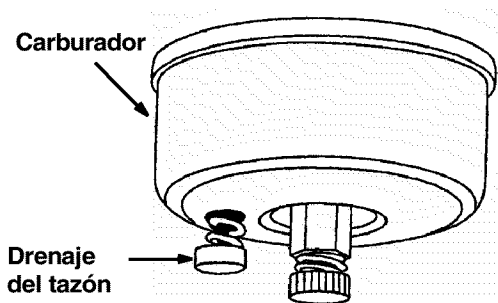


Figura 30



**Advertencia:** Drene el combustible dentro de un recipiente aprobado al aire libre, alejado de las llamas expuestas. Asegúrese que el motor esté frío. No fume.

El combustible dejado en el motor durante el tiempo caluroso se deteriora y causa problemas graves de arranque.

**NOTA:** El estabilizador de combustible (tal como STA-BIL) es una alternativa aceptable para minimizar la formación de depósitos de goma de combustible durante el almacenamiento. Siga siempre la relación de mezcla indicada en el recipiente del estabilizador. Haga funcionar el motor por 10 minutos por lo menos después de agregar estabilizador para permitirle que llegue al carburador. No drene el carburador si usa estabilizador de combustible.



**Advertencia:** Drene el combustible dentro de un recipiente aprobado al aire libre, alejado de las llamas expuestas. Asegúrese que el motor esté frío. No fume.

El combustible dejado en el motor durante el tiempo caluroso se deteriora y causa problemas graves de arranque.



**Advertencia:** Si usa estabilizador de combustible, no drene el carburador. Nunca use productos limpiadores de motor o carburador en el tanque de combustible ya que pueden ocurrir daños permanentes.

**NOTA:** El estabilizador de combustible (tal como STA-BIL) es una alternativa aceptable para minimizar la formación de depósitos de goma de combustible durante el almacenamiento. Siga siempre la relación de mezcla indicada en el recipiente del estabilizador. Haga funcionar el motor por 10 minutos por lo menos después de agregar estabilizador para permitirle que llegue al carburador. No drene el carburador si usa estabilizador de combustible.

- Extraiga la bujía y vierta una (1) onza de aceite de motor a través del orificio de la bujía dentro del cilindro. Intente arrancar el motor varias veces para distribuir el aceite. Vuelva a colocar la bujía.

## Preparación Del Expulsor De Nieve

- Al almacenar cualquier tipo de equipo motorizado en un galpón de almacenamiento no ventilado o de metal, debe tenerse cuidado en proteger el equipo contra la oxidación. Recubra el equipo, usando un aceite liviano o siliconas, especialmente las cadenas, resortes, rodamientos y cables.
- Limpie toda la suciedad del exterior del motor y del equipo.
- Siga las recomendaciones de lubricación en la página 53.
- Almacene en un área limpia y seca.

# TABLA DE LOCALIZACION DE FALLAS

Problema	Causa(s) posible	Accion correctora
El motor funciona errático	Unidad funcionando en CHOKE (REGULADOR) Tubería de gasolina bloqueada o combustible rancio. Agua o suciedad en el sistema de combustible. Carburador mal ajustado.	Mueva la palanca del regulador a la posición OFF. Limpie la tubería de combustible, llene el tanque con gasolina limpia y fresca. El combustible no durará más de treinta días a menos que se use un estabilizador de combustible. Drene el tanque de combustible. Llene con combustible fresco. Refiérase al manual del motor empacado con su unidad o haga ajustar su carburador por un distribuidor autorizado de servicio.
Pérdida de potencia	Cable de la bujía flojo. Orificio de ventilación de la tapa de gasolina taponado. Orificio de escape taponado.	Conecte y ajuste el cable de la bujía. Extraiga el hielo y la nieve de la tapa. Asegúrese que esté despejado el orificio de ventilación. Limpie-vea la sección de Mantenimiento del manual del motor.
El motor caliente en exceso	El carburador no está bien ajustado.	Refiérase al manual del motor empacado con su unidad o haga ajustar su carburador por un distribuidor autorizado de servicio.
Vibración excesiva	Piezas flojas o dañadas de la espiral sin fin.	Apague inmediatamente el motor y desconecte el cable de la bujía. Ajuste todos los pernos y tuercas. Efectúe todas las reparaciones necesarias. Haga que la unidad sea reparada por un distribuidor autorizado de servicio, si la vibración continúa.
La unidad falla en propulsarse	Mal ajuste del cable propulsor. Correa propulsora floja o dañada. Goma de la rueda de fricción gastada.	Ajuste el cable propulsor. Refiérase a la sección de Ajustes de este manual. Reemplace la correa propulsora. Refiérase a Reemplazo de la Correa en la sección de Mantenimiento de este manual. Reemplace la goma siguiendo las instrucciones.
La unidad no descarga nieve	Canaleta de descarga taponada  Objeto extraño atrapado en la espiral sin fin Ajuste incorrecto del cable propulsor. Correa propulsora floja o dañada.	Apague inmediatamente el motor y desconecte el cable de la bujía. Limpie la canaleta de descarga y el interior de la armadura de la espiral sin fin. Apague inmediatamente el motor y desconecte el cable de la bujía. Extraiga el objeto de la espiral sin fin. Ajuste el cable propulsor. Refiérase a la sección de Ajustes de este manual. Reemplace la correa propulsora. Refiérase a la sección de Ajustes de este manual. Reemplace la correa propulsora. Refiérase a reemplazo de la correa en la sección de mantenimiento de este manual.

**NOTA:** Por favor consulte con su Centro de Servicio SEARS más cercano, para reparaciones diferentes a los ajustes menores listados arriba. Al final de la versión en inglés de este manual, se incluye una lista completa de piezas de repuesto para su expulsor de nieve Sears.

# Your Notes/Vuestro Apuntes

Date/Fecha	Comments/Comentario

<b>Date/Fecha</b>	<b>Comments/Comentario</b>



**In U.S.A. or Canada  
for in-home major brand repair service:**

Call 24 hours a day, 7 days a week

**1-800-4-MY-HOME<sup>SM</sup> (1-800-469-4663)**

**Para pedir servicio de reparación a domicilio — 1-800-676-5811**

Au Canada pour tout le service ou les pièces — 1-800-469-4663

**For the repair or replacement parts you need:**

Call 6 a.m. — 11 p.m. CST, 7 days a week

**PartsDirect<sup>SM</sup>**

**1-800-366-PART (1-800-366-7278)**

**Para ordenar piezas con entrega a domicilio — 1-800-659-7084**

**For the location of a Sears Service Center in your area:**

Call 24 hours a day, 7 days a week

**1-800-488-1222**

**To purchase or inquire about a Sears Maintenance Agreement:**

Call 7 a.m. — 5 p.m. CST, Monday — Saturday

**1-800-827-6655**

