

材质: 157g 铜版纸, 双面印刷; 尺寸: 430*330mm;

PETKIT™

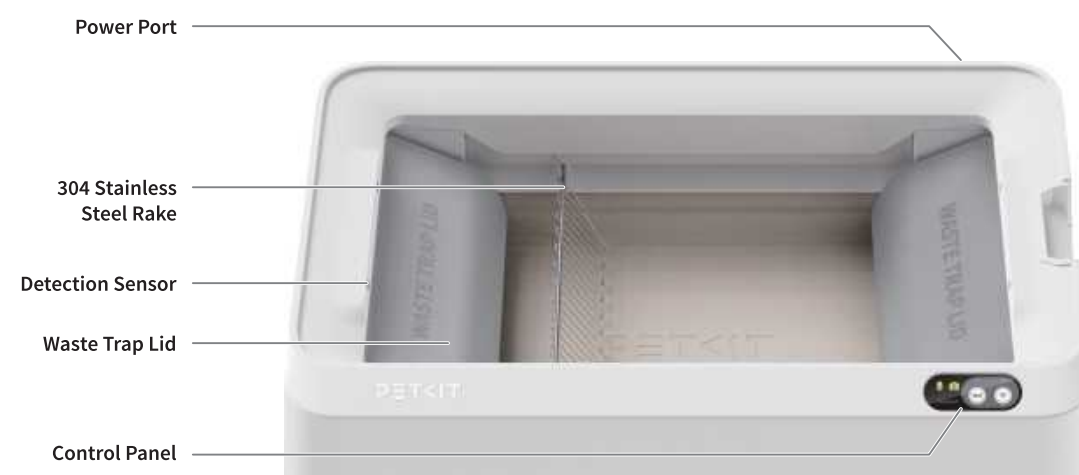
QUICK START GUIDE

Please follow the installation guide. After installation, keep it properly for future reference.

*This product consists of three major modules: the main unit, AI camera, and litter tray. Before installation and use, please check whether the accessories are complete according to the list.



Installation and Maintenance Video



Main Unit



Crystal Litter Tray



Pet Odor Eliminator N60 x1



Trash Bag x1
put the used tray in it



Power Adapter x1

TO OUR VALUED USERS

- Thank you for choosing the PETKIT PUROBOT™ CRYSTAL DUO WITH CAMERA SELF-CLEANING CAT LITTER BOX.
- Please read the user manual carefully before installing and using the product. Any installation or usage indicates that you have read and accepted the safety instructions below.
- PETKIT is not responsible for or legally liable for any accidents or injuries resulting from the improper use of the product.
- PETKIT reserves the right to interpretation and revision.

*Due to continuous product improvements, there may be slight differences in the actual product (including but not limited to appearance, structure, and color). The product images displayed on packaging and promotional materials are for reference only.

SAFETY INSTRUCTIONS

- Failure to follow the safety instructions below may cause product malfunction or other unforeseen damages.
 - This appliance can be used by children aged from 8 years and above and persons with reduced physical, sensory or mental capabilities or lack of experience and knowledge if they have been given supervision or instruction concerning use of the appliance in a safe way and understand the hazards involved.
 - Children shall not play with the appliance.
 - Cleaning and maintenance shall not be made by children without supervision.
 - Do not use crystal cat litter or litter trays from other brands or types. Using other litter trays will cause the product to become ineffective and unusable.
 - Do not use any other types of cat litter, such as tofu litter or clay litter.
 - Install and use the product strictly in accordance with the instructions.
 - Cat under 6 months old or weighing less than 3.3 lb (1.5 kg) are strictly prohibited from using this product.
 - Do not drag or forcefully bend the AI camera.
 - Do not scratch the camera with sharp objects.
 - This product is powered by safe low voltage, but pet biting of wires may still cause electric leakage. Please secure and hide the power cord during use to prevent pet biting. If pet biting is observed, stop it immediately.

- Do not place the product in high-temperature or high-humidity environments.
- Use the product indoors only. Avoid placing in direct sunlight or near fire sources.
- Use the original adapter only. Using non-original adapters may damage the device or pose a safety hazard.
- Do not tip over the device to prevent safety hazards.
- Do not immerse the main unit in water.
- Unplug the power cord if the product is not used for an extended period.
- Children should use this product under adult supervision.
- Repairs must be performed under the guidance of professional personnel to prevent accidental injuries.
- Do not place objects on the top of the device or press it to avoid affecting its normal operation.
- Before extended holidays, ensure the litter box has sufficient cat litter and the waste bin has enough space.
- Contact customer service promptly if any issues arise during product use.

This device complies with part 15 of the FCC Rules. Operation is subject to the following two conditions:
(1) This device may not cause harmful interference, and (2) this device must accept any interference received, including interference that may cause undesired operation.

FCC Warning:
Any changes or modifications not expressly approved by the party responsible for compliance could void the user's authority to operate the equipment.
Note: This equipment has been tested and found to comply with the limits for a Class B digital device, pursuant to part 15 of the FCC Rules. These limits are designed to provide reasonable protection against harmful interference in a residential installation. This equipment generates uses and can radiate radio frequency energy and, if not installed and used in accordance with the instructions, may cause harmful interference to radio communications. However, there is no guarantee that interference will not occur in a particular installation. If this equipment does cause harmful interference to radio or television reception, which can be determined by turning the equipment off or on, the user is encouraged to try to correct the interference by one or more of the following measures:
-Reorient or relocate the receiving antenna.
-Increase the separation between the equipment and receiver.
-Connect the equipment into an outlet on a circuit different from that which the receiver is connected to.
-Consult the dealer or an experienced radio/TV technician for help.

The device has been evaluated to meet general RF exposure requirements.
The equipment complies with FCC radiation exposure limits set forth for an uncontrolled environment. The antenna used for this equipment must be installed and used in accordance with the following conditions:
-English: This device complies with Industry Canada's low-voltage (R60 standard) Operation is subject to the following two conditions:
(1) This device may not cause interference, and (2) this device must accept any interference, including interference that may cause undesired operation of the device.
-French: Le présent équipement conforme aux CEM d'Industrie Canada opère dans une catégorie radio exempte de licence. L'exploitation de cet équipement est soumise aux conditions suivantes: (1) l'appareil doit accepter toute interférence radio, y compris toute interférence qui peut causer un fonctionnement indésirable de l'équipement.
(2) l'utilisateur de l'appareil doit accepter tout brouillage radioélectrique susceptible d'empêcher le fonctionnement.

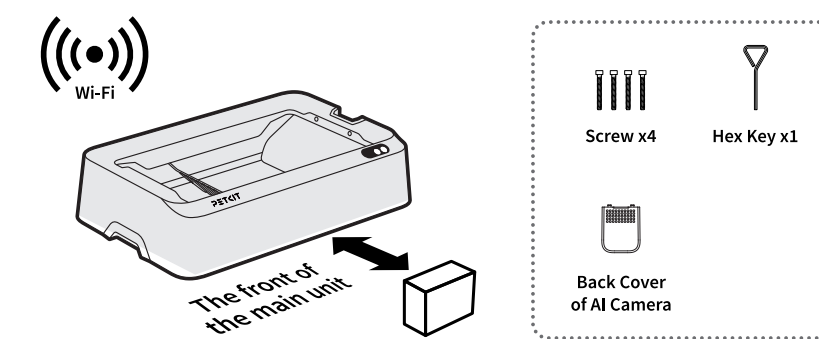
K warning:
-English: This device complies with Industry Canada's low-voltage (R60 standard) Operation is subject to the following two conditions:
(1) This device may not cause interference, and (2) this device must accept any interference, including interference that may cause undesired operation of the device.
-French: Le présent équipement conforme aux CEM d'Industrie Canada opère dans une catégorie radio exempte de licence. L'exploitation de cet équipement est soumise aux conditions suivantes: (1) l'appareil doit accepter toute interférence radio, y compris toute interférence qui peut causer un fonctionnement indésirable de l'équipement.
(2) l'utilisateur de l'appareil doit accepter tout brouillage radioélectrique susceptible d'empêcher le fonctionnement.

DETAILED INSTRUCTIONS ON THE BACK.

INSTALLATION

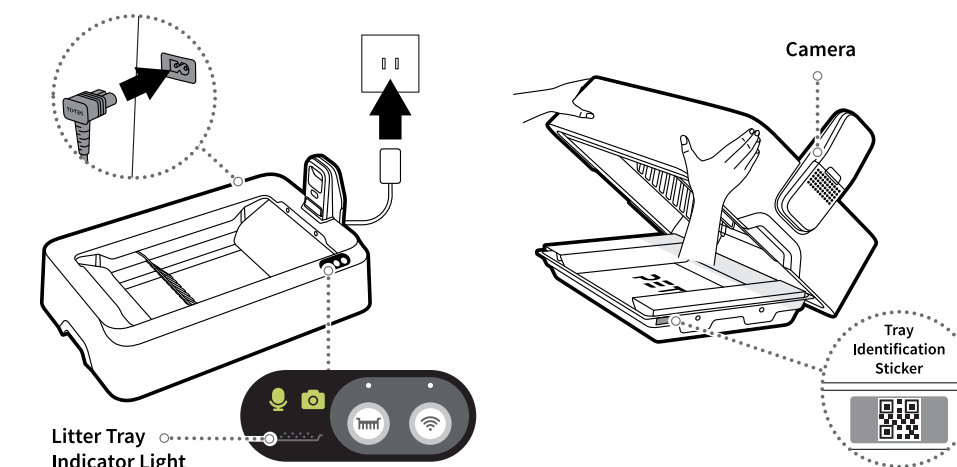
Tips for Installation

- Place the product on a level surface, leaving sufficient space in front (logo side) for installation and maintenance.
- Place the product near a stable Wi-Fi connection.

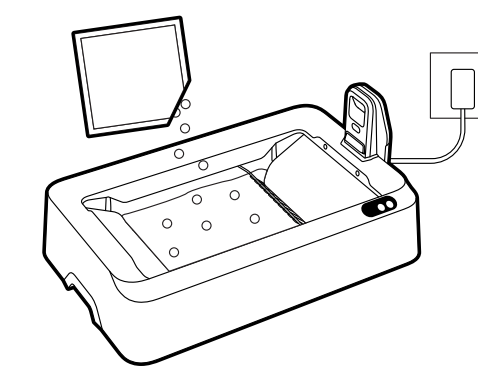


01 Connect the power supply. If the tray indicator light stays solid green, the tray is installed correctly.

If the indicator flashes red, disconnect the power supply, lift the main unit from the front, and turn the tray around to ensure that the tray identification sticker is on the same side as the camera. Then place the main unit down.



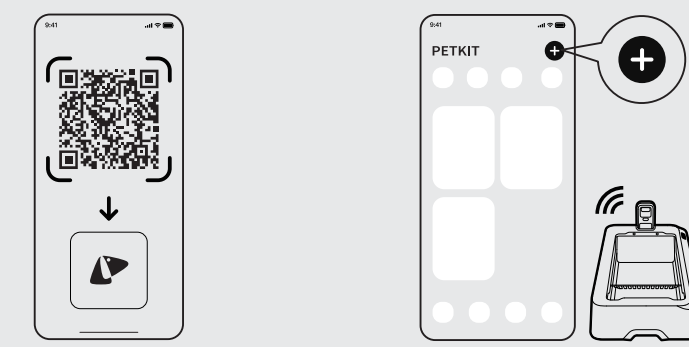
02 Pour the crystal cat litter into the tray evenly.



DEVICE BINDING

* Please bind the app before using the device for the first time. The device can be used only after successful binding.

- Download the PETKIT App from the App Store or Google Play. Or scan the QR code to download it.
- Open the App, tap "+" to add the device, then complete the binding following the instructions.

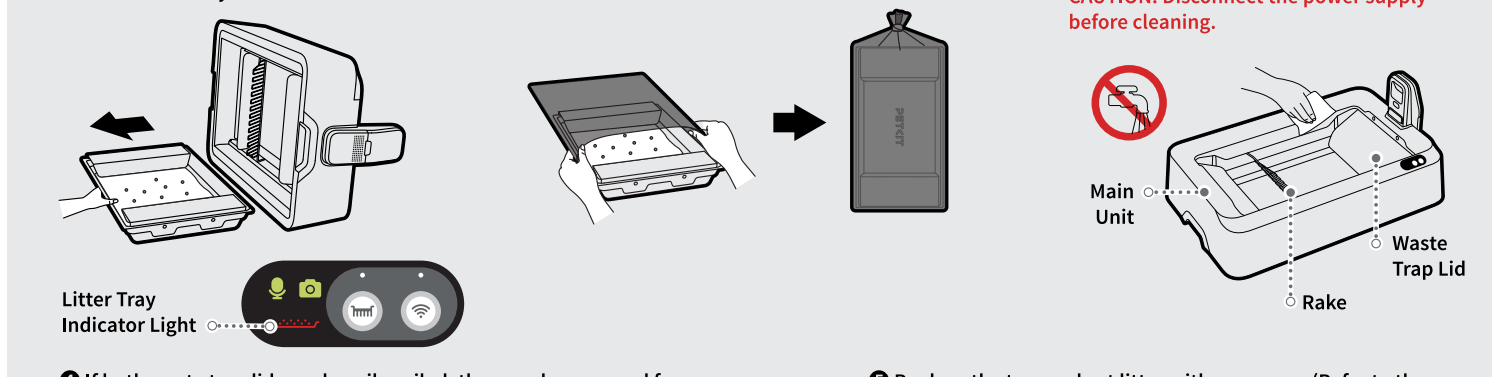


In the App, you can set the cleaning frequency and duration, and check your cat's usage conditions.

CLEANING AND MAINTENANCE

WARNING: Do not submerge or expose the main unit to water. Only wipe it with a damp tissue; otherwise, device damage may occur.

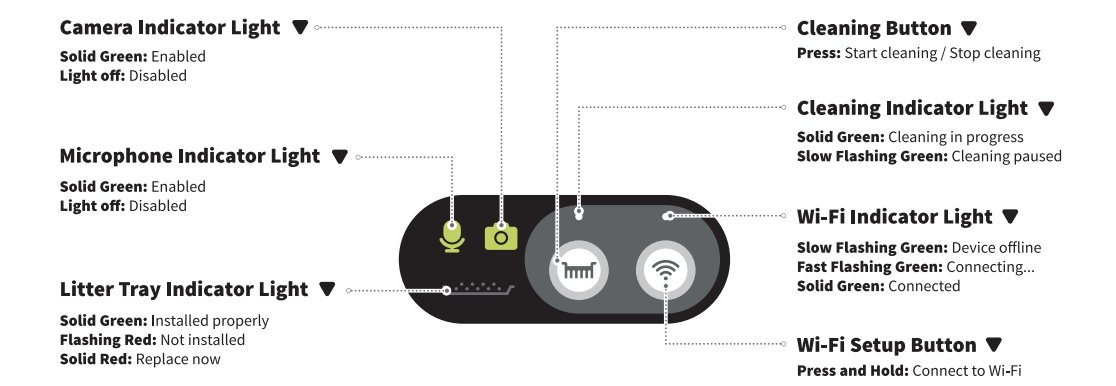
- When the tray indicator light stays solid red, lift the main unit and remove the used litter tray.
- Place it in the trash bag and discard it.
- Use a damp tissue to wipe the waste trap lid, rake, main unit, and other soiled parts. CAUTION: Disconnect the power supply before cleaning.



If both waste trap lids are heavily soiled, they can be removed for cleaning. After air-drying, reassemble them one by one. (Scan the QR code to watch the maintenance video for detailed steps.)

Replace the tray and cat litter with new ones. (Refer to the instruction manual inside the PETKIT CRYSTAL LITTER SET for detailed steps.)

Indicator Light and Button Instructions



Installation and Maintenance Video

Name	Model	Materials	Rated Input	Weight
PUROBOT™ CRYSTAL DUO WITH CAMERA SELF-CLEANING CAT LITTER BOX	P9907	ABS, SPS, etc.	12V ~ 2A	3.6kg (7.84 lb, 6.63 kg)
Dimensions	32.07" (81.96") x 13.14" (33.34") x 8.18" (207.34 mm)			App Connection
Scope of Application	For cats aged 6 months or older, weighing over 3.3 lb (1.5 kg).			

A面

B面

