

Patriot

LIGHTING

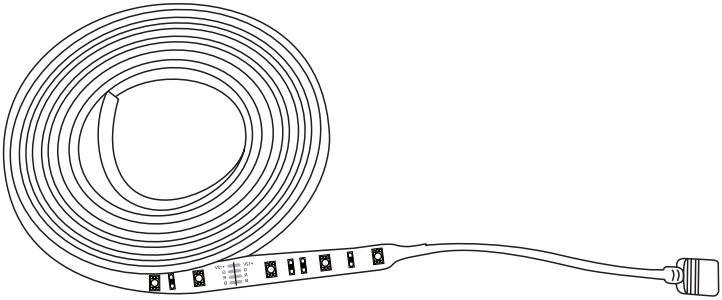
SKU Number: 346-2526
Indoor/ Outdoor Light Fixture



Questions, problems, missing parts?

Before returning to your retailer, call our customer service
at 1-800-267-4427 Monday – Friday 8:00 a.m. – 5:00 p.m. EST

PACKAGE CONTENTS



HARDWARE CONTENTS Note: Hardware not shown actual size.

AA		Transformer (60" cord with on/off switch) x 1	EE		Connector x 1
BB		Dimmer x 1	FF		Mounting clip x 12
CC		Remote control x 1	GG		Screw x 26
DD		Connector with cord x 1			

IMPORTANT SAFETY INSTRUCTIONS

Please read and understand this entire manual before attempting to assemble, operate or install the product. Please save this instruction manual.

WARNING

- Risk of electric shock: turn power off before servicing - see instructions.
- This luminaire must be installed in dry location only and in open fixtures only.
- CAUTION - To reduce the risk of fire, do not install more than 2 luminaires in compartment smaller than 12 inches by 12 inches by 12 inches.
- Use only insulated staples or plastics ties to secure cord;
- Route and secure cords so that they will not be pinched or damaged when the cabinet is pushed to the wall;
- Position the portable cabinet light with respect to the cabinet so the lamp replacement markings are able to be read during relamping.
- Not intended for recessed installation in ceilings, or recessed installation in soffits.
- The National Electrical Code (NEC) does not permit cords to be concealed where damage to insulation may go unnoticed. To prevent fire danger, do not run cord behind walls, ceilings, soffits, or cabinets where it may be inaccessible for examination. Cords should be visually examined periodically and immediately replaced when any damage is noted.
- This product is not a toy. Do not store or leave this luminaire in a location accessible to young children.
- Do not install this luminaire in a heat-producing appliances.
- Risk of fire hazard, only connect a maximum of a TOTAL length to the following Adapter.

Menards sku #	Adapter Model	Maximum TOTAL length
346-2526	TP06-120200W	13.1 feet (4 meter)

- **Ensure NOT to exceed the above maximum (loading) total length before adding any accessories.**
- **If this unit is installed in an outdoor location, the transformer (driver) must be installed using an outdoor electrical box and fully covered by an outdoor in use cover certified for wet location.**

CAUTION

- Remove batteries to prevent product damage when the product is not used for long period of time.
- Batteries must be insert in correct position
- Do not throw batteries into fire or expose them to excess heat.
- This luminaire includes an adapter that is only designed for use with this luminaire.

PREPARATION

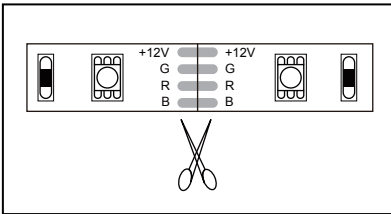
Before beginning assembly, installation or operation of product, make sure all parts are present. Compare parts with package contents list and diagram on previous page. If any part is missing or damaged, do not attempt to assemble, install or operate the product. Contact customer service for replacement parts.

Tools Required for Assembly (not included): Screwdriver, Phillips Screwdriver, Pliers, Electrical Tape, Wire Cutters, Safety Glasses, Ladder, Wire Stripper

ASSEMBLY INSTRUCTIONS

1. MEASURE – and lay-out the installation prior to removing the backing exposing the adhesive. Ensure mounting surface is clean and free of any debris or residue.

2. IF CUTTING – Use a pair of sharp scissors to cut the tape at the flat welding plate along the line, as indicated (avoid the bulge tin welding plate). Every 3 LED's in group is cuttable.



3. CONNECT–use the connector to connect the strip. Insert the end of the strip and make sure the flat welding plate is well inserted into the connector.

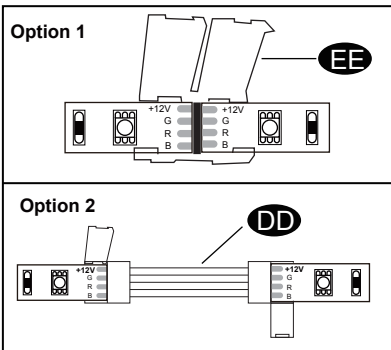
Accessories sold separately
Flexible Tape Connector / Cord connectors - to connect the strip

Option 1 : Direct connect

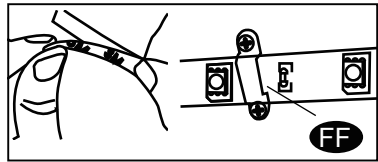
Option 2 : Connect the strip with cord connectors.

Flexible Tape Extension -

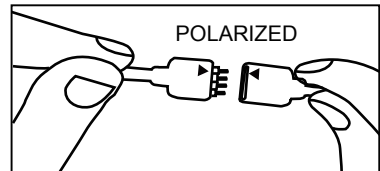
For areas where no-light is required
Import Note: When connecting the tapes, ensure "+" (anode) sign are matching with each other.



4. MOUNT – Remove the backing to expose adhesive tape. Place in the desired location. To obtain optimum adhesion, ensure the surface is clean. Mounting clips (FF) are also provided for extra support.



5. CONNECT – Ensure the plug is polarized. Connect the power feed cable assembled on the tape to the RGB Dimmer Control. Then connect the Dimmer Control to the power supply cord and plug in. RGB Dimmer Control must be placed in a dry location. Use the two screws to hold the Dimmer Control in place.



Turn on switch in cord, now your remote is ready to use.

To use the RGB Remote Control make sure you are no more than 8 metres away from dimmer. The RGB Remote Control is capable of many colour changing effects. (flashing, strobe flash, fade, smooth etc.)

ASSEMBLY INSTRUCTIONS (continued)

See table below for some options.

Pattern Table

Brightness+	Brightness-	OFF	ON
Static red	Static green	Static blue	Static white
Static rose	Static light green	Static sapphire blue	3 colors jump
Static orange	Static green blue	Static violet and grey	3 colors gradual
Static light yellow	Static sky blue	Static brown and purple	7 colors gradual
Static yellow	Static cyan	Static purple	7 colors jump

CARE AND MAINTENANCE

- To clean, turn off and wipe with a damp, non-abrasive cloth.
- When cleaning, use only a soft brush or lint free cloth to avoid scratching the finish.
- Abrasive cleaning agents are not required and should be avoided to prevent damage to finish.

TROUBLESHOOTING

- 1) The light does not come on at all:
 - a) Make sure the wall switch and circuit breaker are on.
 - b) Make sure the wiring is correct.
- 2) Fuse blows or circuit trips when light is turned on.
 - a) Check for crossed wires, ensure wiring is correct.

If unable to fix any of the above issues, please consult a certified electrician.

5-YEAR LIMITED WARRANTY: If, during normal use, this **PATRIOT LIGHTING®** light fixture fails due to a defect in material and workmanship within five (5) years from the date of purchase, simply bring this light fixture with your original sales receipt back to your nearest **MENARDS®** retail store. At its discretion, **PATRIOT LIGHTING®** agrees to have the lighting fixture replaced with the same or similar **PATRIOT LIGHTING®** product free of charge, within the stated warranty period, when returned by the original purchaser with original sales receipt. This warranty: (1) excludes expendable parts including but not limited to light bulbs; (2) does not cover damage that has resulted from abuse or misuse; and (3) does not cover any losses, labor, injuries to persons/property or costs. This warranty does give you specific legal rights and you may have other rights, which vary from state to state.



Questions, problems, missing parts?

Before returning to your retailer, call our customer service at 1-800-267-4427 Monday – Friday 8:00 a.m. – 5:00 p.m. EST