



# YARD FORCE®

FOR LIFE ON THE GO

**LM F23**

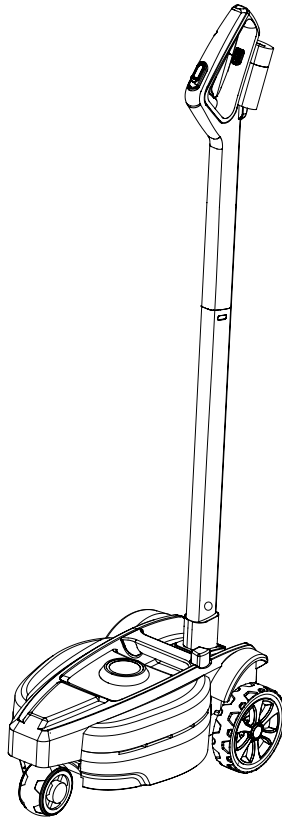
Y0J-SP01-23108

GB

***iFlex***

## **CORDLESS MULCHING MOWER**

Original Instructions

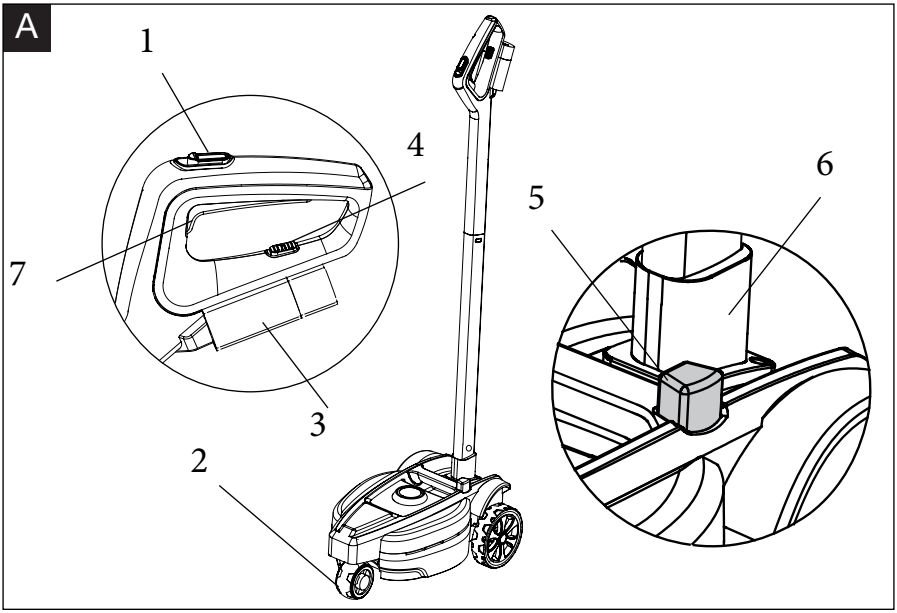




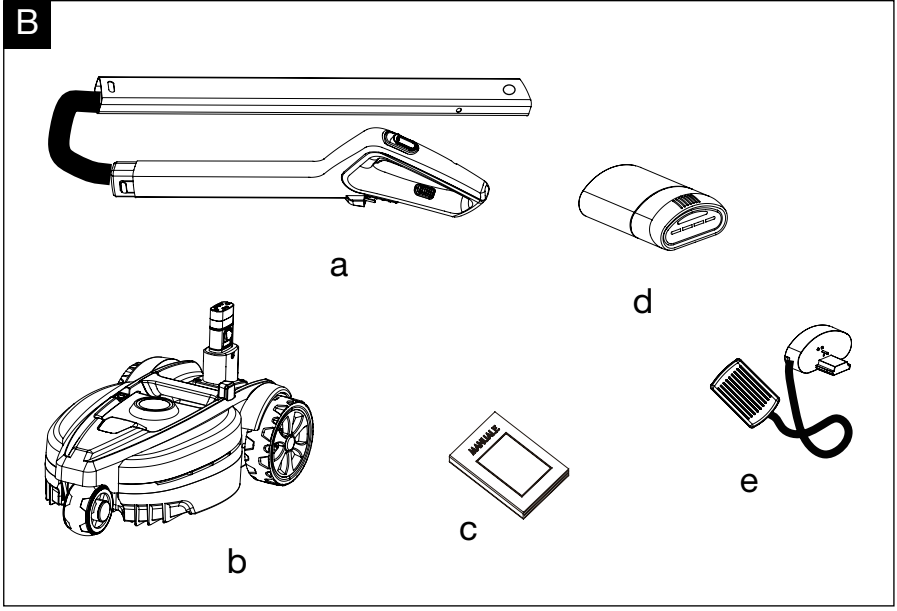
**UK  
CA**

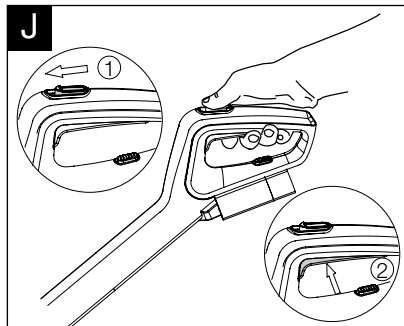
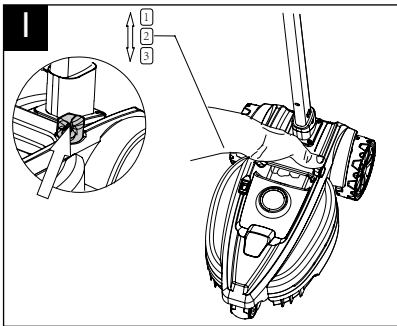
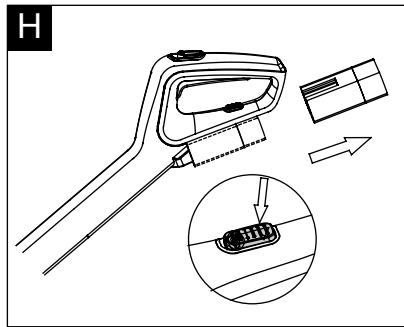
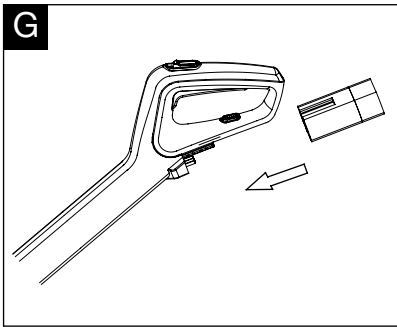
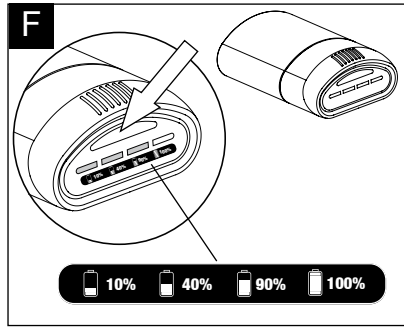
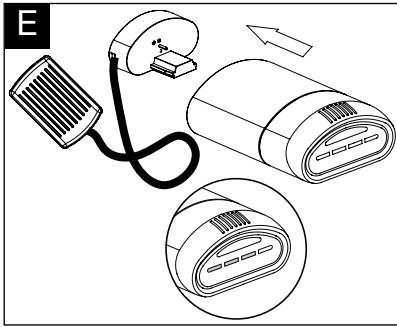
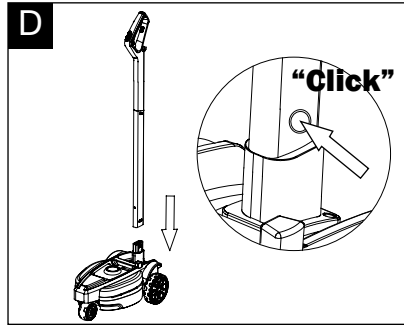
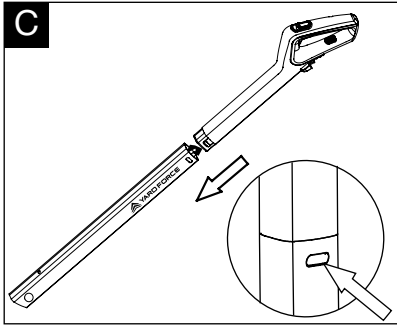
Read this manual carefully prior to assembling and operating the lawnmower. It is dangerous to operate this product without being familiar with these instructions. Keep this manual in a safe place and have it ready for future reference.

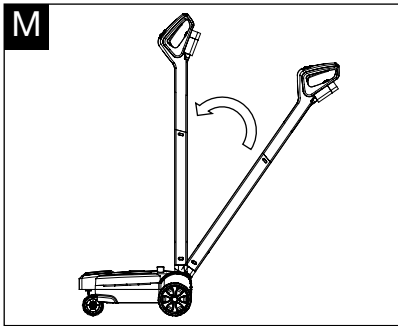
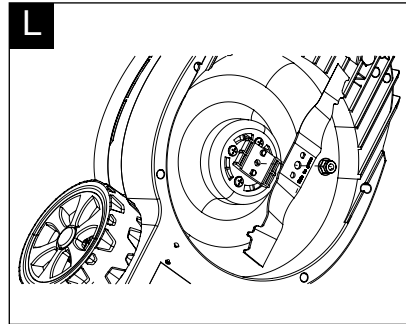
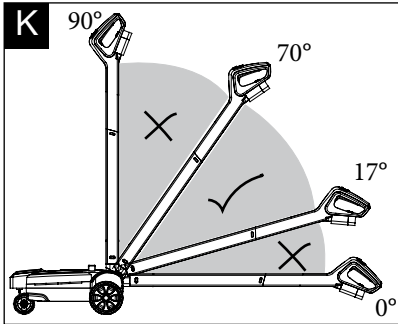
**A**



**B**







# YARD FORCE

## LM F23 Original Instruction

### CONTENT

Intended use	07
General safety warnings	07
Product safety warnings	10
Symbols	15
Technical data	20
Description of product	21
Installation	22
Operation	22
Maintenance and storage	25
Troubleshooting	27
8Declaration of conformity	28

## INTENDED USE

This lawnmower has been designed for cutting grass. The machine is to be used only for its prescribed purpose, any other use is deemed to be a case of misuse.

Please note that our equipment has not been designed for use in commercial, trade or industrial applications. Our warranty will be voided if the machine is used in commercial, trade or industrial businesses or for equivalent purposes.

## GENERAL SAFETY WARNINGS



**WARNING:** Read all safety warnings and instructions. Failure to follow the warnings and instructions may result in electric shock, fire and/or serious personal injury.

Carefully read the instructions for the safe operation of this machine.

Save all warnings and instructions for future reference.

- This appliance can be used by children aged 8 years and above and persons with reduced physical, sensory or mental capabilities or lack of experience and knowledge if they are given supervision or instruction concerning the use of the appliance in a safe way and understand the hazards involved.
- Children should be supervised to ensure that they do not play with the product.

**IMPORTANT  
READ CAREFULLY BEFORE USE  
KEEP FOR FUTURE REFERENCE**

## GENERAL SAFETY WARNINGS

### Training

1. Read the instructions carefully and make sure you fully understand them. Make sure you are familiar with the controls and the correct use of the product.
2. Never allow small children or people unfamiliar with these instructions to use the product. Local regulations can restrict the age of the operator.
3. Never operate the product while people, especially children or pets are nearby.
4. Keep in mind that the operator or user is responsible for any accidents or hazards occurring to other people or their property.

### Preparation

1. While operating the product always wear substantial footwear and long trousers. Do not operate this product when barefoot or wearing open sandals. Avoid wearing clothing that is loose fitting or has hanging cords or ties.
2. Thoroughly inspect the area where the product is to be used and remove all objects which could be thrown by the product.
3. Before use, always visually inspect to see that the blade, blade bolt and the blade assembly are not worn or damaged. Replace worn or damaged components in sets to preserve balance. Replace any damaged or unreadable labels.
4. Ensure the switch is in the off position before inserting the battery pack. Inserting the battery pack into a machine that is switched on can result in injury.

## GENERAL SAFETY WARNINGS

### General Operation

1. Use the tool only with specifically designated battery packs. Use of any other battery packs will increase the risk of injury and fire.
2. Only operate the product in daylight or in good artificial light.
3. Do not expose tool and charger to rain or wet conditions. If a tool or charger is exposed to moisture it will increase the risk of electric shock.
4. Avoid operating the product on wet grass.
5. Always be sure of your footing on slopes.
6. Walk, never run.
7. Mow across the face of slopes, never up and down.
8. Exercise extreme caution when changing direction on slopes.
9. Do not mow excessively steep slopes.
10. Use extreme caution when reversing or pulling the product towards you.
11. Detach the battery pack and stop the blades if the product has to be tilted for transportation, when crossing surfaces other than grass and when transporting the product to and from the area to be mowed.
12. Never operate the product with defective guards or shields or without safety devices in place such as deflectors or grass collector.
13. When switching on motor keep feet well away from blades.
14. Do not tilt the product when switching on the motor,

## PRODUCT SAFETY WARNINGS

except if the product must be tilted for starting. In this case, do not tilt it more than necessary and lift only the part furthest away from the operator.

15. Do not start the product when standing in front of the discharge opening.
16. Do not put hands or feet near or under rotating parts.
17. Keep clear of the discharge opening at all times.
18. Do not transport the product while the cutting blade is running.
19. Stop the product and remove the key/battery pack from the machine and make sure that all moving parts have come to a complete stop:
  - Whenever you leave the product unattended.
  - Before clearing blockages or unclogging chute.
  - Before checking, cleaning, or working on the product.
  - After striking a foreign object. Make sure to inspect the product for damage and make repairs before restarting and operating the product.
20. If the product starts to vibrate abnormally:
  - Inspect for any damages.
  - Replace or repair any damaged parts.
  - Check for and tighten any loose parts.

### Charger

1. Recharge only with the charger specified by the manufacturer. Do not use the original charger on other li-ion batteries or on any other type of battery

## PRODUCT SAFETY WARNINGS

- as this can increase the risk of fire or explosion.
2. Check the battery charger, cable, and plug before each use. Do not use the battery charger if damaged. Do not open the battery charger yourself; charger must be repaired by qualified personnel using original spare parts.
  3. The charger is designed to use a standard household 120-240 V~ 50Hz power source, ensure that the plug matches the outlet.
  4. Never modify the plug in any way, this will reduce the risk of electric shock.
  5. Do not mis-use the charger cord. Never use the cord for carrying, pulling or unplugging the charger. Keep cord away from heat, oil, sharp edges or moving parts. Damaged or entangled cords increase the risk of electric shock.
  6. Make sure the charger cord is situated so that it will not be stepped on, tripped over or get damaged.
  7. Keep the battery charger clean. Contamination can increase the risk of electric shock.
  8. Protect the battery charger from rain and moisture. If water accesses the battery charger there is an increased risk of electric shock.
  9. Battery will heat up whilst charging. To reduce the risk of fire, do not operate battery charger on flammable surfaces such as paper or textiles.
  10. The temperature range over which the battery pack can be charged is typically between 5°C-45 °C. Attempts to charge out with the prescribed

## PRODUCT SAFETY WARNINGS

temperature range may automatically be blocked by the protection circuitry of the battery pack. Longest life and best performance can be obtained if the battery pack is charged at room temperature.

11. Disconnect charger from the power supply when not in use. This will reduce the risk of electric shock or damage to the charger.

### **Battery pack**

1. Fully charge battery pack before first use.
2. Recharge battery pack immediately when the power output starts to slow. **DO NOT CONTINUE TO USE PRODUCT WHEN BATTERY LEVEL IS LOW.**
3. To prevent serious damage to the battery, charge in temperatures above 5°C or below 45°C. Longest life and best performance can be achieved when battery is charged at room temperature.
4. If the battery temperature is above 45°C it must be allowed to cool before putting it into the charging station.
5. To reduce the risk of explosion, ensure the battery pack is not left in the sun for extended periods of time and that it is kept away from fire.
6. Do not carry individual battery packs in your pockets or bag as they could short-circuit against other metal items.
7. Should a Li-ion battery catch fire, ensure to use the correct fire extinguisher to combat the fire. **DO NOT**

## PRODUCT SAFETY WARNINGS

THROW WATER ON A BURNING LI-ION BATTERY.

8. If the battery pack becomes too hot during charging, disconnect and switch off immediately. Contact the service centre directly.
9. Do not attempt to open the battery yourself.
10. When battery pack is not in use keep it away from other metal objects such as paperclips, coins, keys, nails, screws or other small metal objects that can make a connection from one terminal to another.

### Maintenance and storage

1. Keep all nuts, bolts and screws tight to be sure the product is in a safe working condition.
2. Check the grass collector frequently for wear or deterioration.
3. Be careful when adjusting the product to prevent trapping fingers between moving blades or other fixed parts of the product.
4. Always allow the product to cool down before storing.
5. When servicing the blades be aware that even though the power source is switched off, the blades can still move.
6. Replace worn or damaged parts for safety. Use only genuine replacement parts and accessories.
7. DO NOT attempt to open the charger and battery pack. There are no customer serviceable parts inside. Return to any authorised service centre.
8. Store the appliance with battery pack fully charged at

## PRODUCT SAFETY WARNINGS

room temperature (around 20°C).

9. Every deep discharge cycle decreases the capacity of battery pack. To prolong battery life, it is recommended that you charge the battery every six months within extended periods of time when the product is not in use.

### Servicing

1. Have your tool repaired by an authorised service agent. This tool is manufactured in accordance with the relevant safety regulations. To avoid danger, equipment must only be repaired by qualified technicians.
2. Only use parts and accessories made for this machine by the manufacturer. Failure to do so can result in personal injury.

### Safety symbols

The purpose of safety symbols is to attract your attention to any possible dangers. The safety symbols and their explanations deserve your careful attention and full understanding. The symbol warnings do not, by themselves, eliminate any danger. The instructions and warnings they give are no substitute for proper accident prevention measures.



**WARNING:** Be sure to read and understand all safety instructions within this operator's manual, including all safety alert symbols such as "**DANGER**", "**WARNING**", and "**CAUTION**" before using this tool. Failure to follow all instructions listed below may result in electric shock, fire and/or serious personal injury.

**SAFETY ALERT SYMBOLS:** Indicate **DANGER**, **WARNING**, or **CAUTION**. May be used in conjunction with other symbols or pictographs.

### Symbol meanings

This page depicts and describes safety symbols that may appear on this product. Read, fully understand and follow all instructions on the machine before attempting to assemble and operate.

## SYMBOLS



To reduce the risk of injury, user must read instruction manual carefully.



Avoid using tool in the rain.



Wait until all machine components have completely stopped before touching them.



Keep bystanders away. Objects thrown by the product could hit the user or other bystanders. Always ensure that other people and pets remain at a safe distance from the product when it is in operation.



Beware of sharp blades. Blades continue to rotate after the motor is switched off. Remove disabling device before performing any maintenance tasks.



Guaranteed sound power level value is 88 dB



Wear ear protection, eye protection and gloves when using the product.

## SYMBOLS



WEEE symbol. Waste electrical products should not be disposed of with household waste. Please recycle where facilities exist. Check with your local authority or local store for recycling guidelines



The product complies with the applicable European directives and an evaluation method of conformity for these directives was done.



Conforms to relevant UK regulatory requirements

## SYMBOLS

### Warning symbols on the battery pack



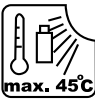
To reduce the risk of injury, user must read instruction manual carefully.



Do not throw into water.



Do not throw on fire.



Do not subject the battery to strong sunlight over long periods of time. Do not leave on a heater (max.45°C).



Li-Ion

Batteries contain Li-ion. Do not dispose of waste batteries in domestic waste. Contact local authority to find out how to dispose of batteries.



The product complies with the applicable European directives and an evaluation method of conformity for these directives was done.



WEEE symbol. Waste electrical products should not be disposed of with household waste. Please recycle where facilities exist. Check with your Local Authority or local store for recycling advice.

## SYMBOLS

### Warning symbols on the charger



To reduce the risk of injury, user must read instruction manual carefully.



The charger is for indoor use only.



Double insulation



WEEE symbol. Waste electrical products should not be disposed of with household waste. Please recycle where facilities exist. Check with your Local Authority or local store for recycling advice.



The product complies with the applicable European directives and an evaluation method of conformity for these directives was done.



SMPS (Switch mode power supply unit) incorporating a short-circuit-proof safety isolating switching power supply.






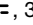


SMPS (Switch mode power supply unit)



Conforms to relevant UK regulatory requirements

## TECHNICAL DATA

<b>Mower Type</b>		<b>LM F23</b>
Nominal voltage of product with battery		12V 
No-load cutting speed		5500 min <sup>-1</sup>
Cutting width		23 cm
Cutting height		30/45/60mm, 3 positions
Weight		5.2 kg
Measured sound pressure level(L <sub>pA</sub> )		72.3 dB(A), K=3 dB(A)
Measured sound power level(L <sub>WA</sub> )		84.38 dB(A), K=3.53 dB(A)
Guaranteed sound power level		88 dB(A)
Vibrations		0.304 m/s <sup>2</sup> K=1.5 m/s <sup>2</sup> *
<b>Battery pack Model</b>		<b>AL F40</b>
Battery capacity		4 Ah
Battery charging time Max.		80 min
<b>Battery charger Model</b>		<b>XZ1300-3000G/ XZ1300-3000GB</b>
Input		120-240V AC, 50/60Hz 1.0A
Output		13V  , 3A
Protection class		II

The sound intensity level for the operator may exceed 80 dB(A) and ear protection measures are necessary.

\* The declared vibration value has been measured in accordance with a standard test method (according to EN 62841-1:2015) and may be used for comparing one product with another. The declared vibration value may also be used in a preliminary assessment of exposure.

**WARNING:** Depending on the actual use of the product the vibration values can differ from the declared total!

Adopt proper measures to protect yourself against vibration exposure! Take the whole work process including times the product is running under no load or switched off into consideration!

## DESCRIPTION OF PRODUCT

### Parts description (Fig. A)

1. Safety switch
2. Front wheel
3. Battery pack
4. Battery pack release button
5. Cutting height adjustment button
6. "Free Turn" joint
7. Switch trigger

### Check the delivery parts (Fig. B)

Remove the machine from its packaging carefully and make sure that all of the following parts are present:

- a. Main handle
- b. Mulching mower
- c. Manual
- d. Battery pack
- e. Charger



**WARNING:** If any parts are damaged or missing, do not operate this tool until these parts have been replaced. Failure to heed this warning could result in serious personal injury.



**NOTE:** Always recycle the packaging in accordance with local recycling guidelines.

## INSTALLATION

### Assemble the main handle

1. Align the main handle with the tube.
2. Insert the main handle into the tube, make sure the handle is locked in position. **(Fig. C)**

### Attach the handle to the mulching mower

Insert the assembled handle onto the mulching mower, make sure the handle is securely locked in place. **(Fig. D)**

## OPERATION

### Charging the battery pack

**NOTE:** Remove the battery pack from the charger after it has been fully charged.

**NOTE:** Battery should be fully charged before first use.

**NOTE:** Make sure the mains voltage is the same as rating label which is located on the charger.

1. Connect the charger to a power supply.
2. To insert the battery pack into the charger, align the raised ribs of the battery pack with the grooves of the charger then push it in. **(Fig. E)**
3. The green LED light on the battery pack will flash continuously during normal charging.
4. After charging is complete, the green LED light will turn off.

### Power indicator **(Fig. F)**

This Li-Ion battery pack is equipped with a power indicator which is used to show the battery pack's remaining charge. The LEDs will stay lit for approximately 4 seconds.

### To obtain the best life from the battery

1. Never allow the battery to completely discharge before recharging. The battery pack should be placed on the charger whenever the battery pack is noticeably running down or the tool no longer performs a task it previously performed.
2. Avoid conducting short charges. Make sure that the battery is fully charged each time by allowing the charger to complete its full charging cycle.
3. Avoid allowing loose items like screws or nails etc. to be stored with battery packs as these or similar items can short battery packs and cause a fire or explosion.
4. Always unplug the charger when not in use and store in a dry and secure place.
5. Avoid charging or storing your battery in temperatures below 5°C and above 45°C.
6. After use, allow the battery to pack to cool down for approximately 30 minutes before attempting to recharge.

## OPERATION

### Removing and inserting the battery pack

#### Insert the battery pack (Fig. G)

Align the battery pack with the handle connectors. Push the battery pack into the place until you hear a click. This means the battery pack has been locked in position.

#### Removing the battery pack from the tool (Fig. H)

Push the battery pack release button, and then pull out the battery pack.

#### Setting cutting height (Fig. I)

If you wish to change the cutting height, holding the handle then depress the height adjust button and lift the deck up and down to your desired cutting posn- release the button.

### Switching ON and OFF

#### Switch ON (Fig. J)

1. Push forward and hold the safety switch on the main handle.
2. Switch the trigger On and hold it. Depress the switch Once the machine starts ,you can then release the safety button.

#### Switch OFF

Release the trigger.

**NOTE:** Do not continue to press the start button after an automatic shut-off of the machine, this will lead to battery damage.



#### WARNING:

When the motor has been switched off, the blade will continue to run for several seconds. Do not touch the underside of the mower until the blade has come to a complete standstill!

### Operating the lawnmower

#### Safety working position (Fig. K)

To ensure the personal safety, the mulching mower will shut off automatically when the mulching mower is too close to you, or away from you.

#### Operation on a slope

Slopes increase the risk of slip-and-fall accidents, which can result in severe injury. Always be sure of your footing on slopes. Operation on slopes requires extra caution. If you feel uneasy on a slope, do not mow it.

## OPERATION

### Do:

- Mow across the face of slopes, never mow up and down. Exercise extreme caution when changing direction on slopes.
- Watch for holes, ruts, rocks, hidden objects or bumps which could cause you to slip or trip. Tall grass can hide obstacles.

### Do not:

- Do not mow near drop-offs, ditches or embankments; you could lose your footing or balance.
- Do not mow slopes greater than 15 degrees.
- Do not mow on wet grass. Unstable footing could cause you to slip.

### Mower overload protection

To prevent overload conditions, do not try to cut too much grass at one time. Slow down your cutting pace or raise the cut height. Your mower has built-in overload circuit protection. When the mower is overloaded, the motor will stop. Switch the mower off and remove the battery pack, check to see if grass has collected beneath the deck and clear it if necessary, then restart the mower.

### Battery high temperature protection

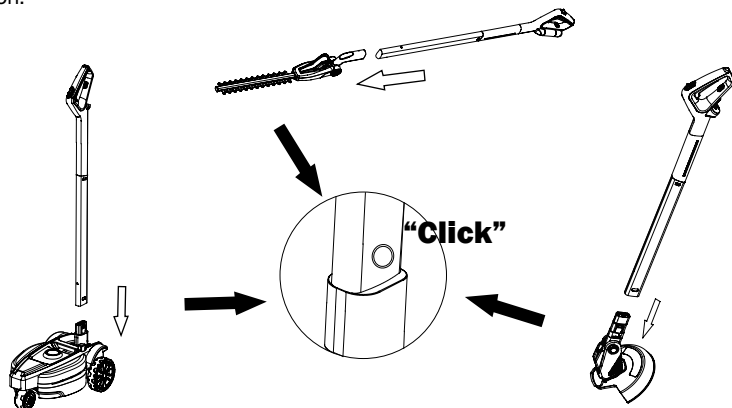
The battery pack will generate heat during operation. The heat dissipates slower in hot weather. If the battery temperature exceeds more than 70 °C during operation, the protection circuit will immediately turn off the mower to protect the battery pack from damage. Release the trigger, wait until the battery pack cools down and then restart the mower.

### Boost function

This mulching mower is equipped with an intelligent boost function, which would auto- adjust the motor power during different working situation. High efficiency cutting performance.

### Multi-function handle

This multi-function handle could be used in YF 12V iFlex grass trimmer and hedge trimmer. Removing the handle assy and then connecting to one of the other accessories- by a press of a button.



## MAINTENANCE AND STORAGE



**WARNING:** Before performing any maintenance or cleaning work, always ensure that the battery pack has been removed. Wait until the blade has stopped completely and the machine has cooled down.

### Cleaning

#### Cleaning the product

- Use a soft brush to remove accumulated dust and debris. Wear safety glasses to protect your eyes whilst cleaning.
- Wipe down the product enclosure with a slightly damp cloth. Do not spray the unit with water. Water may destroy the switch unit and the electric motor.

### Maintenance

**NOTE:** Always wear gardening gloves when handling or working near sharp blade.

1. Keep all nuts, bolts and screws tight to ensure that the machine is in a safe working condition.
2. Examine the machine and replace worn or damaged parts for safety.

#### Removing/Installing the blade (Fig. L)

1. Use the correct size wrench to uninstall the blade bolt nut.
2. Wearing heavy gloves hold the blade still and turn the wrench anti-clockwise to remove the bolt.
3. Fit the replacement blade correctly with marking facing up and align pegs, refit the bolt and retighten securely to torque 20Nm.

**WARNING:** Replace or re-sharpen the mowing blade at the end of the mowing season. Always have the mowing blade re-sharpened or replaced by a recommended Yard Force service centre.

Unbalanced blades will cause the lawn mower to vibrate violently which can increase the risk of accidents occurring. Don't use mower which blade is unbalanced

#### Battery maintenance

Use the following procedures to achieve the best battery life:

1. Protect the battery against moisture and water.
2. Store the battery only within temperature range of 5 °C to 45 °C. Do not leave the battery in direct sunlight for extended periods of time.
3. Clean the battery regularly with a soft, clean and dry brush.
4. If you do not use the product for a long time, remember to charge and discharge the battery pack once every 6 months.

## MAINTENANCE AND STORAGE

### Storage and transport

#### Storage

After cleaning the unit thoroughly, store mower in a dry room and allow the motor to cool down.

- Move the handle to the storage position. **(Fig. M)**
- Store the product with the handle detached if required.

**NOTE:** Remove the battery pack. Ensure cables are not trapped when folding/unfolding the handle. If stored vertically make sure the mower is positioned in a corner so that the blade is facing inwards against a wall and the machine is secure to prevent it falling over.

#### Transport

Use the original packaging to ship whenever possible.

## TROUBLESHOOTING



**WARNING:** Before performing any repair work, always ensure that the battery pack has been removed.



**WARNING:** Always wear heavy duty gloves when adjusting or cleaning, especially when handling sharp objects.

Fault/malfunction	Cause	Remedy
Mower fails to start	Battery is not correctly inserted	Remove the battery and reinsert
	Mower standing in high grass	Start motor on shorter grass or already mowed area, change cutting height if necessary
	The mower housing is clogged	Remove battery pack and clean housing so that the blade can move freely
	Battery has no power	Check and recharge battery
	Mower is over loaded	Re-start the mower on shorter grass
	Mower is overheated	Wait until the temperature cools down
	Handle position is in the disactive angle	The mower could only started by the angle between 17°-70°
Mower stop working / loses power	Cutting height is incorrect	Adjust the cutting height
	Cutting blade is worn or damaged	Replace with new blade from dealer service centre
	Battery performance decreasing	Check the battery performance and charge it if necessary
	Handle position is in the disactive angle	The mower could only started by the angle between 17°-70°
Mower vibrating at higher speed	Cutting blade is loosened	Tighten the blade bolt
	Blade is loosened /incorrectly fitted	Balance the blade by grinding each cutting edge until equal
Mower cuts unevenly	The blade is damaged. Blade is assembled incorrectly	Sharpen the blade or replace. Re-assemble blade correctly

# DECLARATION OF CONFORMITY

To the provisions of Council Directives

We  
**SUMEC France Sarl**  
**59 bis Rue du Mûrier**  
**37540 Saint Cyr Sur Loire**  
**France**

**Declare that the product:**

Machine Description: 12V mulching mower  
LM F23/ Y0J-SP01-23108  
Function: Cutting grass

**Complies with the essential health and safety requirements of the following directives:**

Machinery Directive 2006/42/EC

Electromagnetic Compatibility Directive 2014/30/EU

EC Directive 2011/65/EU and its amendment Directive (EU) 2015/863 (RoHS)

Noise Emission in the Environment by Equipment for Use Outdoors Directive

2000/14/EC amended by 2005/88/EC

We additionally confirm the following in accordance with the 2000/14/EC amended by 2005/88/EC emissions guideline,

Measured Sound Power Level:

<b>LM F23</b>
<b>84.38 dB(A) K=3.53 dB(A)</b>

Declared Guaranteed Sound Power Level: 88 dB (A)

**Standards and technical specification referred to :**

EN 62841-1:2015

EN 62841-4-3:2021+A11

EN 55014-2:2015

EN 55014-1:2017+A11

EN 62233:2008

EN 50581:2012

Authorized Signatory

Date: 24.05.2021

Signature: \_\_\_\_\_

Place: Saint Cyr Sur Loire

Name: Rodolphe Dubois

General Manager

SUMEC France Sarl

59 bis Rue du Mûrier, 37540 Saint Cyr Sur Loire, France



# DECLARATION OF CONFORMITY

To the provisions of Council Directives

We  
SUMEC UK

Unit A&B Escrick Business Park Escrick, York YO19 6 FD  
United Kingdom

**Declare that the product:**

Machine Description: 12V mulching mower

LM F23/ Y0J-SP01-23108

Function: Cutting grass

**Complies with the essential health and safety requirements of the following directives:**

Supply of Machinery (Safety) Regulations 2008

Electromagnetic Compatibility Regulations 2016

The Restriction of the Use of Certain Hazardous Substances in Electrical and Electronic  
Equipment Regulations 2012

Noise Emission in the Environment by Equipment for use Outdoors Regulations 2001

Measured Sound Power Level:

LM F23
84.38 dB(A) K=3.53 dB(A)

Declared Guaranteed Sound Power Level: 88 dB (A)

**Standards and technical specification referred to :**

EN 62841-1:2015

EN 62841-4-3:2021+A11

EN 55014-2:2015

EN 55014-1:2017+A11

EN 62233:2008

EN 50581:2012

Authorized Signatory

Date: 24.05.2021

Signature: M. Hall

Place: York

Name: Mariana Hall

General Manager

SUMEC UK

Unit A&B Escrick Business Park Escrick

York YO19 6 FD, United Kingdom

