



KAISER[®]

MODEL: MSA-7908MX

Portable Rechargeable Speaker with FM Player

**CHARGE
FOR
4 HOURS
BEFORE
FIRST
USE**



Images are for illustrative purposes only; colors and design may vary.

Read the entire manual before using this product for the first time.

mitzu.com

[/Mitzu_Corp](https://twitter.com/Mitzu_Corp)

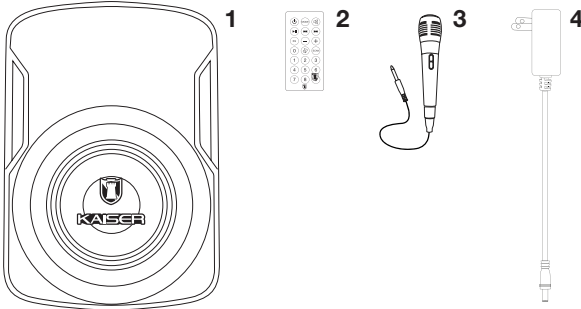
[/Mitzu.Corp](https://facebook.com/Mitzu.Corp)

[/MitzuCorp](https://youtube.com/MitzuCorp)

WELCOME

Thank you for purchasing the new KAISER® product. We are confident that you will be very satisfied with your purchase.

CONTENTS



1. Rechargeable speaker (1 piece).
2. Remote control (1 piece).
3. Wired microphone (1 piece).
4. Power adapter (1 piece).

HOW TO TURN ON?

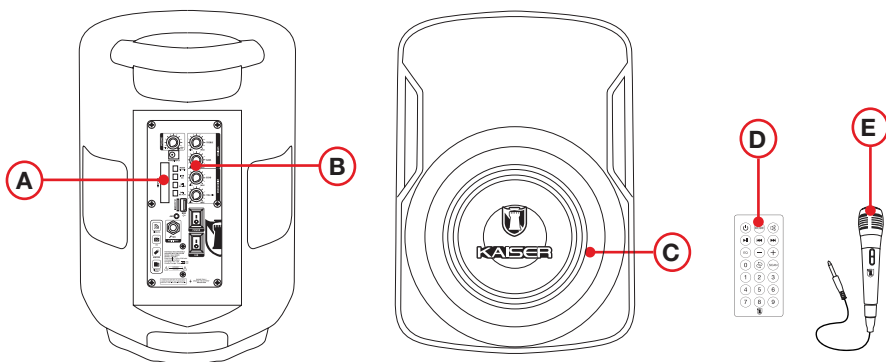


- Set all switches to OFF.
- Check that the volume is set to the lowest level.
- Verify that the voltage of the power source is compatible with the equipment's required voltage.

1. Connect the adapter to the power outlet and then to the speaker. Allow it to charge for 4 hours before turning it on for the first time.
2. After charging the battery for the first time, press the ON switch to turn on the unit.
3. To maximize battery life, connect it to the power outlet when the battery is low; it requires up to 3 hours to recharge. It can continue to be used while connected.

If the device is used intermittently, it is recommended to fully charge the battery at least every 30 days.

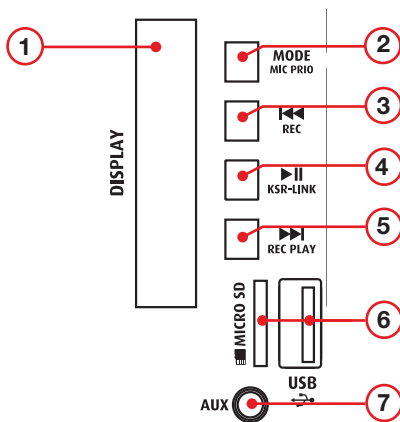
GENERAL DESCRIPTION



- A) DISPLAY WITH PLAYBACK BUTTONS
- B) CONTROL PANEL
- C) WOOFER
- D) REMOTE CONTROL
- E) WIRED MICROPHONE

OPERATION

- A) DISPLAY WITH PLAYBACK BUTTONS



1) DISPLAY: Shows what is being played.

2) MODE / MIC PRIO

- Selects the operating mode (Auxiliary Mode, Micro SD, USB, BLUETOOTH®, or Radio). Press multiple times until the desired mode is displayed on the screen.

3) PREVIOUS TRACK / PREVIOUS STATION / RECORD RECORD

- Insert a USB/Micro SD card into the slot, then connect the wired microphone and ensure it is working.
- Press and hold “RECORD” to start audio recording.
- Short press “REC PLAY” to play the recorded file.
- Press again to exit the recording function.

4) PLAY / PAUSE / KSR-LINK / FM STATION SCAN

KSR-LINK

- Only 2 speakers can be connected at the same time.
- Both speakers must be in BLUETOOTH® MODE to use KSR-LINK.
- Press the PLAY/PAUSE button for 3 seconds.
- The speakers will connect automatically. To listen to music via BLUETOOTH®, you must pair your phone with the main device.
- Press the PLAY/PAUSE button for 3 seconds to exit KSR-LINK mode.

5) REC PLAY / NEXT TRACK / NEXT STATION

REC PLAY

- Briefly press REC PLAY to play the recording.

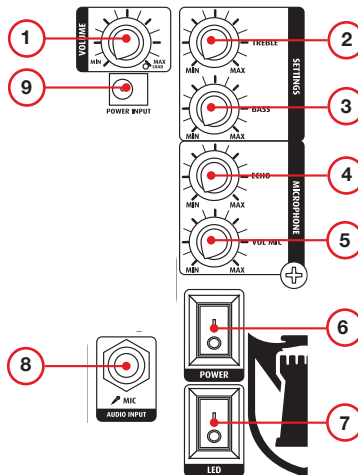
6) MICRO SD AND USB PORTS

- Plays stored audio files.

7) 3.5 mm AUX INPUT

- Plays audio devices (see Auxiliary Mode).

B CONTROL PANEL



1) MASTER VOLUME KNOB

- Adjusts the overall volume.

2) TREBLE

- Adjusts high-frequency level.
- Equalizes sound with this tone control.

3) BASS

- Adjusts the low-frequency level.
- Equalizes sound with this tone control.

4) ECHO

- Microphone sound effect.

5) MICROPHONE VOLUME

- Controls the microphone volume.

6) POWER SWITCH

- Turns the device on and off.

7) LED LIGHT SWITCH

- Turns the LED light on and off.

8) 6.3 mm INPUT

- For wired microphone.

9) POWER INPUT

- Connects the power adapter.

OPERATION MODES

AUXILIARY

- Connect a 3.5 mm cable to the speaker and the audio device. (Note: 3.5 mm to 3.5 mm cable not included)
- Press MODE until the desired mode is displayed on the screen. (Note: Playback may start automatically in some cases)

USB/MICRO SD PORT

- Connect a USB flash drive or Micro SD card.
- Press MODE until the desired function is displayed on the screen. (Note: Playback may start automatically in some cases)

BLUETOOTH®

- Enable BLUETOOTH® on your phone.
- Search for and connect to the device named “MSA-7908MX”. After successful pairing, you can play music. You won’t need to reconnect BLUETOOTH® when switching modes.

MIC PRIO

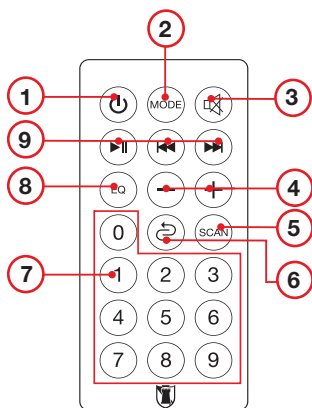
Puts the microphone voice in the foreground and music playback in the background.

- To turn the microphone priority function on and off, press and hold the “MIC PRIO” button.
- Insert the microphone before using this function and ensure the microphone is turned on.

C WOOFER

Turn on the LED switch and increase the volume; the woofer will automatically flash (rear panel).

D REMOTE CONTROL



1. STANDBY
2. MODE
3. MUTE
4. VOLUME
5. FM STATION SCAN
6. REPEAT TRACK
7. NUMERIC SELECTOR
8. EQUALIZER
9. PLAYBACK BUTTONS

E MICROPHONE

1. Locate the 6.3 mm connection for the microphone on the back.
2. Slide the switch to turn it on.



- In FM mode, the LED light must be turned off to improve radio signal reception.

SPECIFICATIONS

Model: MSA-7908MX

Product Name: Portable Rechargeable Speaker with FM Player

FCC ID: TBD

SPEAKER

Power supply: 7,4 Vcc 2 200 mAh (rechargeable battery)

Charging: 9 Vcc 1,5 A

Woofers: 8" (20,32 cm)

Impedance: 2,5 ohm

Frequency response: 45 Hz - 8 kHz

Sensitivity: 92 dB

Tweeter: 1,5" (3,81cm)

Bluetooth® version: 5.3

Frequency range: 2.4 GHz

Bluetooth® range: Up to 32.8 ft, tested in an unobstructed line of sight under optimal conditions.

AC / DC ADAPTER:

Input: 100 - 240 Vca 50 - 60 Hz 0,625 A

Output: 9 Vcc 1,5 A



Volume level	Battery duration
25% volume	4 hours
50% volume	2 hours
100% volume	1.5 hours



IMPORTANT



During use, keep other devices at least 30 cm away from this equipment.



This equipment has no ventilation slots.



Do not place the device on flammable sources such as lit candles.



The device should not be exposed to dripping or splashing water, and objects filled with liquids (such as glasses) should not be placed on the device.



CAUTION



Installed batteries should only be replaced by qualified personnel.



Risk of explosion if the battery is not replaced correctly.



Replace only with the same type or equivalent.



Batteries (installed) should not be exposed to excessive heat such as sunlight, fire, or similar.

This device must not be exposed to dripping or splashing liquids.



Note: This equipment has been tested and found to comply with the limits for a Class B digital device, pursuant to part 15 of the FCC Rules. These limits are designed to provide reasonable protection against harmful interference in a residential installation. This equipment generates, uses and can radiate radio frequency energy and, if not installed and used in accordance with the instructions, may cause harmful interference to radio communications. However, there is no guarantee that interference will not occur in a particular installation. If this equipment does cause harmful interference to radio or television reception, which can be determined by turning the equipment off and on, the user is encouraged to try to correct the interference by one or more of the following measures:

- Reorient or relocate the receiving antenna.
- Increase the separation between the equipment and receiver.
- Connect the equipment into an outlet on a circuit different from that to which the receiver is connected.
- Consult the dealer or an experienced radio/TV technician for help.



This equipment complies with FCC radiation exposure limits set forth for an uncontrolled environment. The device should be installed and operated with a minimum distance of <math>< 1\text{ cm}</math> between the radiator and your body.

Changes or modifications not expressly approved by the party responsible for compliance could void the user's authority to operate the equipment.

This device complies with Part 15 of the FCC Rules. Operation is subject to the following two conditions:

- (1) This device may not cause harmful interference, and
- (2) this device must accept any interference received, including interference that may cause undesired operation.

For questions regarding operation or compliance, contact:

MITZU GLOBAL, LLC
828 Hallmark Dr.
Laredo Tx 78045
contact@mitzu.com
+1 (956)740-7746