

# SENCOR®

SBL 3200WH / SBL 3201GR / SBL 3202BL  
SBL 3203OR / SBL 3204RD / SBL 3205VT  
SBL 3206YL / SBL 3207TQ / SBL 3208RS



## EN ■ Smoothie Maker

### READ CAREFULLY AND STORE FOR FUTURE USE.

- This appliance may be used by persons with physical or mental impairments or by inexperienced persons, if they are properly supervised or have been informed about how to use the product in a safe manner and understand the potential dangers.
- Children must not use this appliance or play with it. Keep this appliance and the power cord out of reach of children.
- This appliance is intended for home use. It is not intended for use in locations such as:
  - staff kitchens in stores, offices and other workplaces;
  - agricultural farms;
  - hotel or motel rooms and other living areas;
  - bed and breakfast establishments.
- This appliance is designed for blending food. Do not use it for any other purposes than those intended.



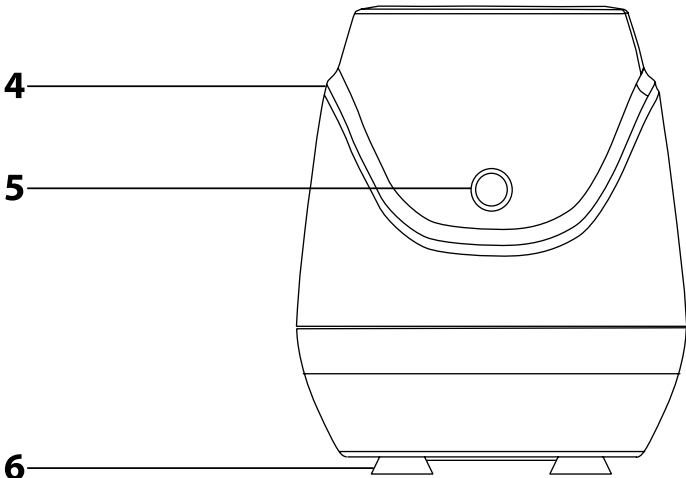
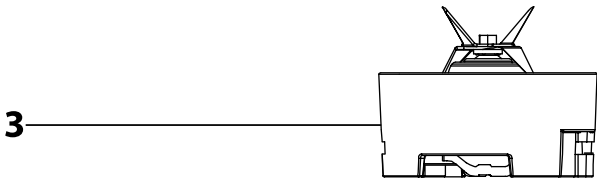
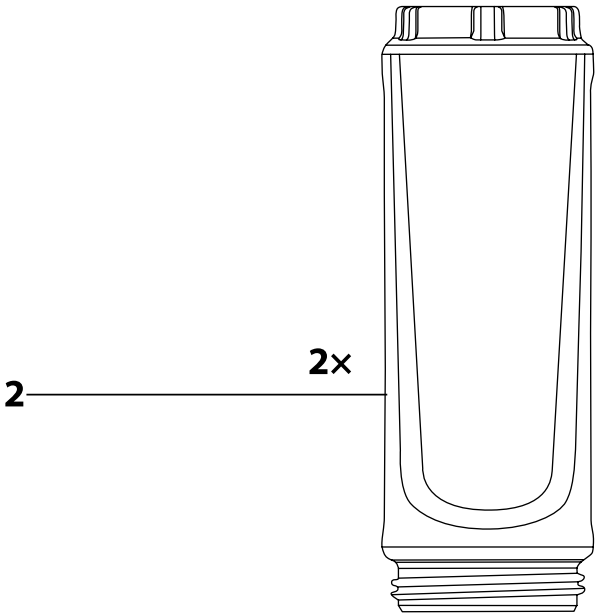
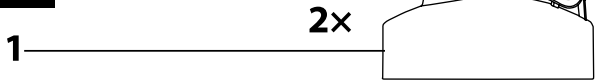
### **Warning:**

Incorrect use may lead to injuries.

- Do not use the appliance in an industrial environment or outdoors.
- Do not place the appliance on an electric or gas stove or in its vicinity, on the edge of a table or on an unstable surface. Only place the appliance on an even, dry and stable surface.
- Before connecting this appliance to a power socket, make sure the voltage stated on its rating label corresponds to the voltage in your power socket.
- Only use the appliance with the original accessories that came with it.
- Do not fill the blending jar past its maximum nominal capacity.
- Make sure that the appliance is correctly assembled before putting it into operation. The appliance is equipped with a safety mechanism that will prevent it from being started unless the removable accessories are seated on the motor unit.
- Do not turn on the appliance when it is empty. Incorrect use of the appliance may negatively affect its lifetime.
- Pay increased attention when handling hot liquids, because they may release steam or they could spray and cause burns. Allow hot liquids to cool down to a temperature of at least 50 °C before pouring them into the blending jar.
- Do not leave the appliance in continuous operation for longer than 3 minutes. Before turning it on again, allow it to cool down for at least 10 minutes. When processing harder foods or thick liquids, do not leave the appliance in continuous operation for longer than 1 minute.

- The appliance is equipped with a thermal fuse protecting the motor from damage in case of overload. If the appliance shuts off as a consequence of the motor being overloaded, disconnect it from the power socket and allow it cool for at least 30 minutes. Then you can put into operation again.
- If ingredients stick to the blade assembly or the inside walls of the blending jar, turn the appliance off and unplug it from the power supply. Make sure that the blade assembly has stopped rotating. Take the blending jar assembly off the motor unit and turn it over so that the blade assembly points upwards. Remove the blade assembly and clean the removed parts using a plastic spatula. Assemble the appliance, plug the power cord into a power socket and continue blending.
- When handling the blade assembly, be very careful not to injure yourself on its sharp cutting edge. This applies especially when removing the blade assembly from the blending jar, when emptying the jar and when cleaning.
- The included blending jars are not intended for heating food in a microwave oven.
- Always turn off the appliance and disconnect it from the power socket if you will not be using it and if you will be leaving it without supervision, before assembly, disassembly, replacing accessories and before cleaning or moving it.
- Check that the motor unit is turned off, disconnected from the power socket and that the rotating parts have come to a complete stop before removing the blending jar assembly from the motor unit.
- Clean it according to the instructions in chapter Cleaning and maintenance. Do not submerge the motor unit or its power cord in water or any other liquid, or wash these parts under running water.
- Do not place heavy items on the power cord. Make sure that the power cord does not hang over the edge of a table or that it is not touching a hot surface.
- Disconnect the appliance from the power socket by pulling on the plug, never pulling on the power cord. Otherwise, this could damage the power cord or the socket.
- If the power cord is damaged, it must be replaced by an authorised service centre or by another similarly qualified person, this will prevent the creation of a dangerous situation.
- Do not use the appliance when it is not functioning properly or showing any signs of damage. In order to prevent a hazardous situation arising, do not repair the appliance yourself or modify it in any way. Have all repairs performed at an authorised service centre. By tampering with the appliance, you risk voiding your legal rights arising from unsatisfactory performance or quality warranty.

**A**



- Prior to using this appliance, please read the user's manual thoroughly, even in cases, when one has already familiarised themselves with previous use of similar types of appliances. Only use the appliance in the manner described in this user's manual. Keep this user's manual in a safe place where it can be easily retrieved for future reference.
- We recommend saving the original cardboard box, packaging material, purchase receipt and responsibility statement of the vendor or warranty card for at least the duration of the legal liability for unsatisfactory performance or quality. In the event of transportation, we recommend that you pack the appliance in the original box from the manufacturer.

## DESCRIPTION OF THE APPLIANCE

- A1** Screw-on cap with a closable drinking spout
- A2** Blending jar with 600ml capacity also serves as a drinking bottle and is made from durable "BPA-Free" Tritan material.
- A3** Blade assembly with a four-blade titanium coated quality stainless steel blade assembly
- A4** Motor unit
- A5** Pulse switch it is used to turn the motor unit on and off.
- A6** Anti-slip feet with suction cups

## PURPOSE OF USE AND APPLIANCE FEATURES

- This smoothie blender is ideal for making fresh smoothies, milkshakes and other mixed drinks, outstanding salsas, creamy soups, sauces or for blending baby food. The titanium coated stainless steel blade assembly prevents rapid oxidation of nutritious drinks. The blending jars are made from very high quality "BPA-Free" plastic that does not contain toxic Bisphenol A. It does not absorb any odours or smells, and is characterised by its long lifetime. It is resistant against impact and scratching, and is suitable for washing in a dishwasher. The blending jars also serve as practical drinking bottles. Caps with the closable drinking spouts make it possible to easily carry the bottles without spilling the drink. The bottles fit perfectly into car bottle holders. The anti-slip feet with suction cups provide excellent stability to the blender during its operation.

## BEFORE FIRST USE

- Remove all packaging materials, including promotional tags and labels from the appliance and its accessories.
- Thoroughly wash the removable accessories that are intended to come into contact with food using warm water and a neutral kitchen detergent. Then rinse with clean water and dry thoroughly with a wiping cloth. All removable parts, except for the blade assembly **A3**, are suitable for washing in a dishwasher (in the upper rack).
- Do not rinse the motor unit **A4** under water or submerge it in water.



### Attention:

When cleaning the blade assembly **A3**, be very careful not to injure yourself on the cutting edges.

## ASSEMBLING AND DISASSEMBLING THE APPLIANCE

- Before you start assembling or disassembling the appliance, check that the motor unit **A4** is turned off and disconnected from the power socket and that the rotating parts have come to a complete stop.

### 1. SMOOTHIE BLENDER

- 1.1 Turn the blending jar **A2** with the rim facing upwards and place the blade assembly **A3** on to it so that the cutting blades point into the blending jar **A2**. Attach the blade assembly **A3** to the blending jar **A2** by screwing it in.
- 1.2 Turn the assembled blending jar over so that the blade assembly **A3** is on the bottom. Seat the assembled blending jar on to the motor unit **A4** from above so that the symbol ▼ marked on the blade assembly **A3** is aligned with the open padlock symbol on the motor unit **A4**. Turn the blending jar clockwise to align the symbol ▼ marked on the blade assembly **A3** with the locked padlock symbol on the motor unit **A4**. Now the blending jar assembly is attached to the motor unit **A4**.
- 1.3 The blender is equipped with a safety mechanism that will prevent it from being started unless the blending jar is properly attached to the motor unit **A4**.



### Note:

The bottom of the blending jar **A2** has a thread to which a cap **A1** can be attached so that it is with you at all times.

- 1.4 To disassemble, proceed in the reverse sequence.

### 2. DRINKING BOTTLE

- 2.1 To assemble the drinking bottle, screw the cap **A1** on to the neck of the blending jar **A2** and tighten firmly. When carrying it, make sure that the drinking spout is properly closed so as not to spill the contents of the bottle.

## OPERATING THE APPLIANCE

1. Make sure that the motor unit **A4** is turned off and disconnected from the mains power socket.
2. Place the ingredients that you wish to blend into the blending jar **A2**. Do not fill the blending jar **A2** past its nominal capacity that is indicated by the 600ml mark.



### Attention:

Allow hot liquids to cool down to a temperature of at least 50 °C before pouring them into the blending jar **A2**. Some liquids gain volume during the blending process.

3. Assemble the blender according to the instructions in the chapter Assembling and disassembling the appliance.
4. Connect the power cord to a power socket. To start the blender, press the pulse switch **A5** and hold it down as long as you want to blend the ingredients. When the button **A5** is released, the appliance will stop running.

**Attention:**

The maximum operating time is 3 minutes. Then allow it to cool down for at least 10 minutes. When processing harder food or thick liquids, do not leave the appliance in continuous operation for longer than 1 minute.

5. If ingredients stick to the blade assembly **A3** or the inside walls of the blending jar **A2**, turn the blender off and unplug it from the power supply. Make sure that the blade assembly **A3** has stopped rotating. Take the blending jar assembly off the motor unit **A4** and turn it over so that the blade assembly **A3** points upwards. Remove the blade assembly **A3** and using a plastic spatula clean the blade assembly **A3** and the walls of the blending jar **A2**. Assemble the blender, plug the power cord into a power socket and continue blending.
6. When you finish blending, disconnect the power cord from the power socket. Check that the blade assembly **A3** has stopped rotating and take the blending jar assembly off the motor unit **A4**.
7. Turn the blending jar **A2** over so that the blade assembly **A3** points upwards and remove it. Close the blending jar **A2** with the cap **A1** or pour its contents into another suitable container.
8. Then clean all used parts according to the instructions in chapter Cleaning and maintenance.

**QUICK GUIDE TO PROCESSING INGREDIENTS**

- First cut food with a firm consistency such as fruit and vegetables into smaller pieces measuring 2 to 3 cm and only then blend it.

Ingredients/meals	Recommended blending time
Boiled fruit and vegetables	30 s
Smoothie beverages and cocktails	15 to 30 s
Salsa	20 s
Sauces and soups	30 s
Baby food	40 s

**Note:**

The above food processing times are only a reference. The actual blending time depends on the size of the ingredients, their amount and the required final consistency.

**CLEANING AND MAINTENANCE**

- Before cleaning it, make sure that the appliance is turned off, disconnected from the power socket and that the rotating parts have stopped.
- Disassemble the appliance into its individual parts. Thoroughly wash removable accessories using warm water and neutral kitchen detergent. Then rinse them with clean water and dry with a wiping cloth. All removable parts, except for the blade assembly **A3**, are suitable for washing in a dishwasher (in the upper rack). For easier cleaning, the blade assembly **A3** can be disassembled into its individual parts. After disassembling it, properly reassemble it again.

**Attention:**

When cleaning the blade assembly **A3**, be very careful not to injure yourself on the cutting edges.

- When you have finished using it, it is also possible to clean the blending jar **A2** by filling it with 0.5 litre of clean water and a few drops of neutral kitchen detergent and then running it for 15 to 20 seconds. Then turn off the appliance, disconnect it from the power socket, and disassemble it after the rotating parts stop. Then thoroughly rinse the blending jar **A2** with clean water and wipe dry.
- To clean the outer surface of the motor unit **A4**, use a cloth lightly dipped in a weak detergent solution. After applying the detergent, wipe it with a cloth lightly dampened in clean water and then wipe dry.
- Never submerge the motor unit **A4** or the power cord in water or in any other liquid.
- Do not use solvents, cleaning products with an abrasive effect, etc. to clean the appliance. Otherwise the surface coat of the appliance may be damaged.

**STORAGE**

- When not using the appliance, store it in a dry place out of reach of children.

**TECHNICAL SPECIFICATIONS**

Rated voltage range .....	220–240 V
Rated frequency .....	50/60 Hz
Rated power input .....	600 W
Electrical shock protection class .....	II
Noise level .....	84 dB(A)

The declared noise emission level of the appliance is 84 dB(A), which represents a level A of acoustic power with respect to a reference acoustic power of 1 pW.

**Explanation of technical terminology**

Safety class for electrical shock protection:

Class II – Electrical shock protection is provided by double or heavy-duty insulation.

Changes to text and technical parameters are reserved.

## INSTRUCTIONS AND INFORMATION REGARDING THE DISPOSAL OF USED PACKAGING MATERIALS

Dispose of used packaging material at a site designated for waste in your municipality.

### DISPOSAL OF USED ELECTRICAL AND ELECTRONIC EQUIPMENT



This symbol on products or original documents means that used electric or electronic products must not be added to ordinary municipal waste. For proper disposal, renewal and recycling hand over these appliances to determined collection points. Alternatively, in some European Union states or other European countries you may return your appliances to the local retailer when buying an equivalent new appliance.

Correct disposal of this product helps save valuable natural resources and prevents potential negative effects on the environment and human health, which could result from improper waste disposal. Ask your local authorities or collection facility for more details.

In accordance with national regulations penalties may be imposed for the incorrect disposal of this type of waste.

#### For business entities in European Union states

If you want to dispose of electric or electronic appliances, ask your retailer or supplier for the necessary information.

#### Disposal in other countries outside the European Union

This symbol is valid in the European Union. If you wish to dispose of this product, request the necessary information about the correct disposal method from the local council or from your retailer.



This product meets all the basic requirements of EU directives related to it.