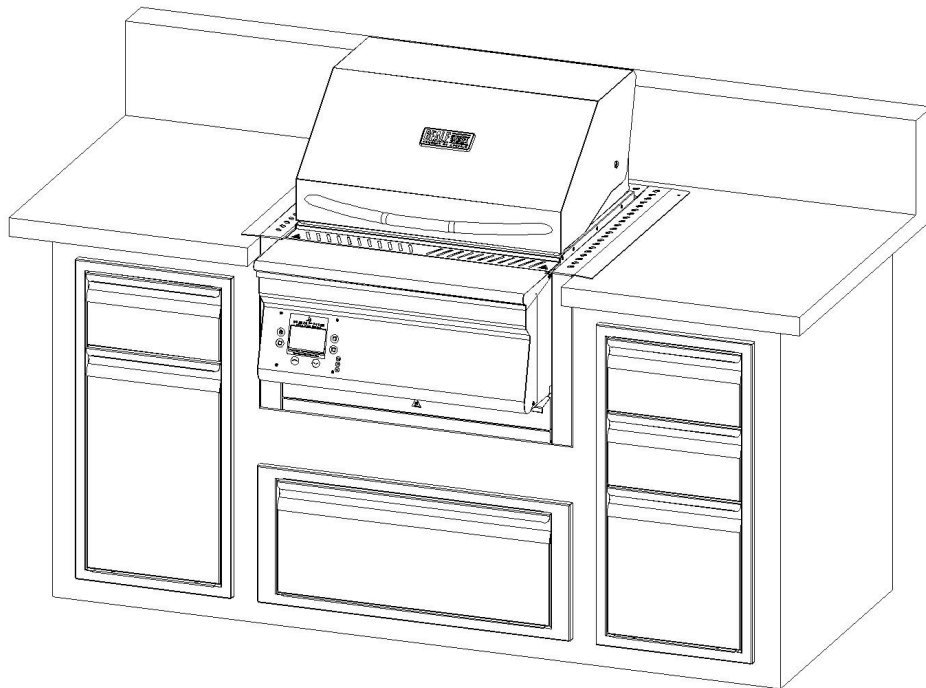


BEALE STREET
POWERED BY MEMPHIS



MODEL NUMBER: BGBS26

<u>Contents</u>	
Grill Clearance to Combustible Materials	2
Grill Island Dimensions	3
Hardware Kit	4
Installation Recommendations	5
Installation Step 1-5	6-8
WiFi Setup	9-10
Wiring Diagram	11-12

**READ ALL INSTRUCTIONS BEFORE INSTALLING AND USING THIS APPLIANCE
SAVE THESE INSTRUCTIONS FOR FUTURE REFERENCE**

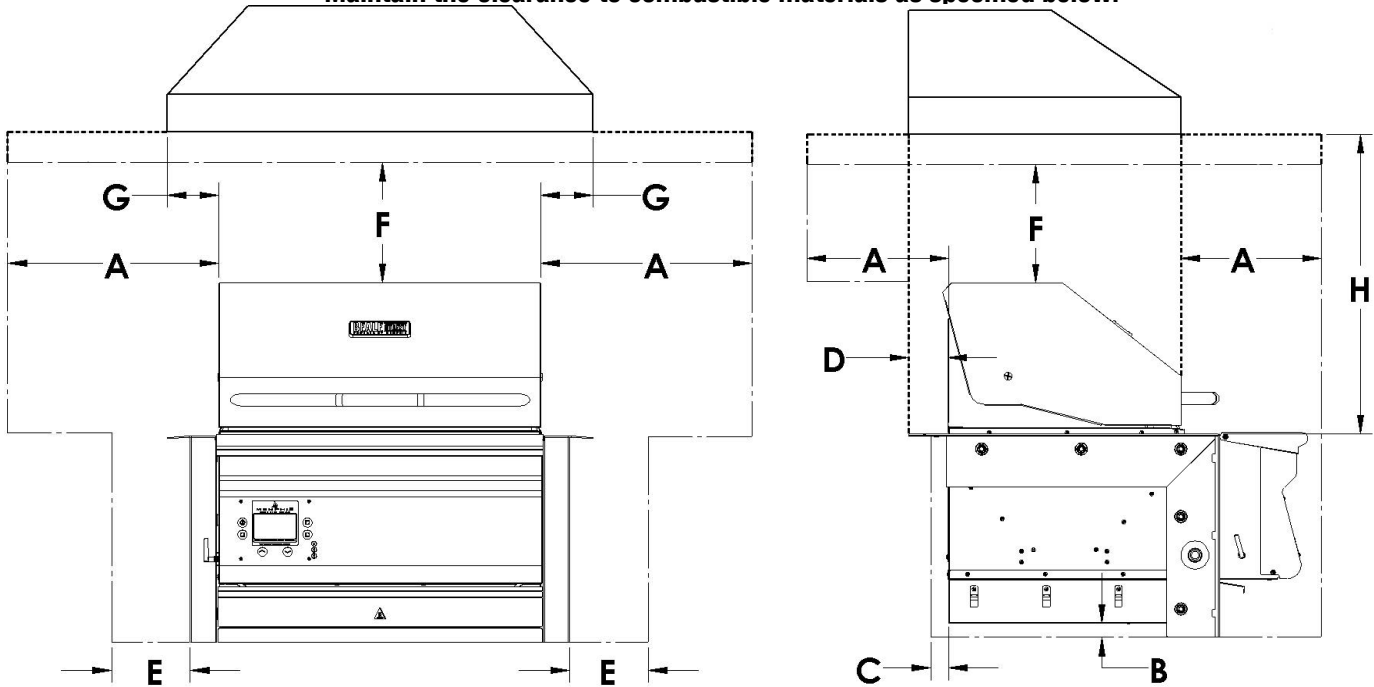


Clearance To Combustible Materials

WARNING: The structure and surrounding objects MUST maintain the specified minimum clearance to combustible materials.

Built-in structures constructed of wood or other combustible materials may require the use of the OPTIONAL Built- In Heat Shield Kit to maintain the required clearance to combustible materials. The grill may be supported by either the three support brackets, or the four leveling feet. Please note that there must be at least 3/8" (1.0cm) clearance between the bottom of the grill and the structure.

Maintain the clearance to combustible materials as specified below.



DIM.	DIMENSIONS (US)	UNIT WITH OPTIONAL HEAT SHIELD KIT (VGBHSK)
A	18"	18"
B	3/8"	3/8"
C	2"	2"
D	3.5"	3.5"
E	18"	1/8"
F	30"	30"
G	3"	3"
H	30-44"	30-44"

DIM.	DIMENSIONS METRIC	UNIT WITH OPTIONAL HEAT SHIELD KIT (VGBHSK)
A	45.8 cm	45.8 cm
B	1.0 cm	1.0 cm
C	5.1 cm	5.1 cm
D	8.9 cm	8.9 cm
E	45.8 cm	0.5 cm
F	76.2 cm	76.2 cm
G	7.62 cm	7.62 cm
H	76.2-111.76 cm	76.2-111.76 cm

A MAJOR CAUSE OF FIRES IS FAILURE TO MAINTAIN REQUIRED CLEARANCES (AIR SPACES) TO COMBUSTIBLE MATERIALS. IT IS OF UTMOST IMPORTANCE THAT THIS PRODUCT BE INSTALLED ONLY IN ACCORDANCE WITH THESE INSTRUCTIONS



Built-In Grill Island Dimensions

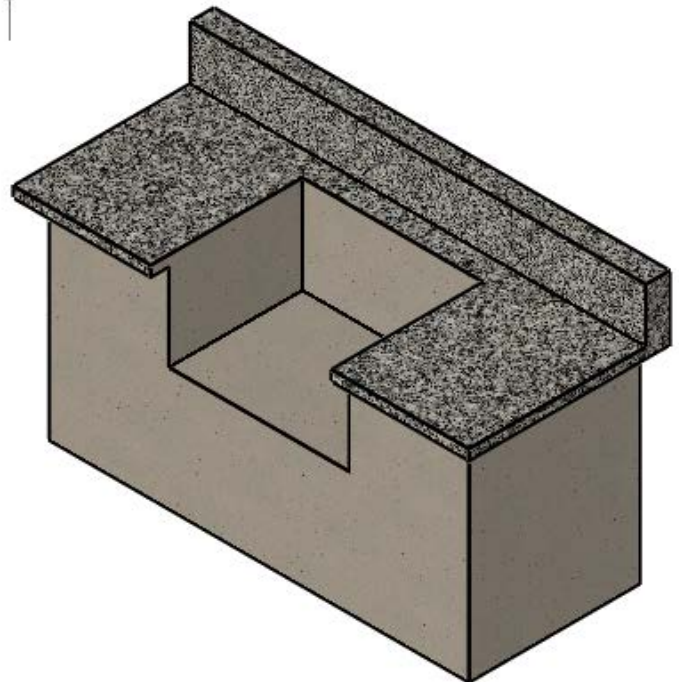
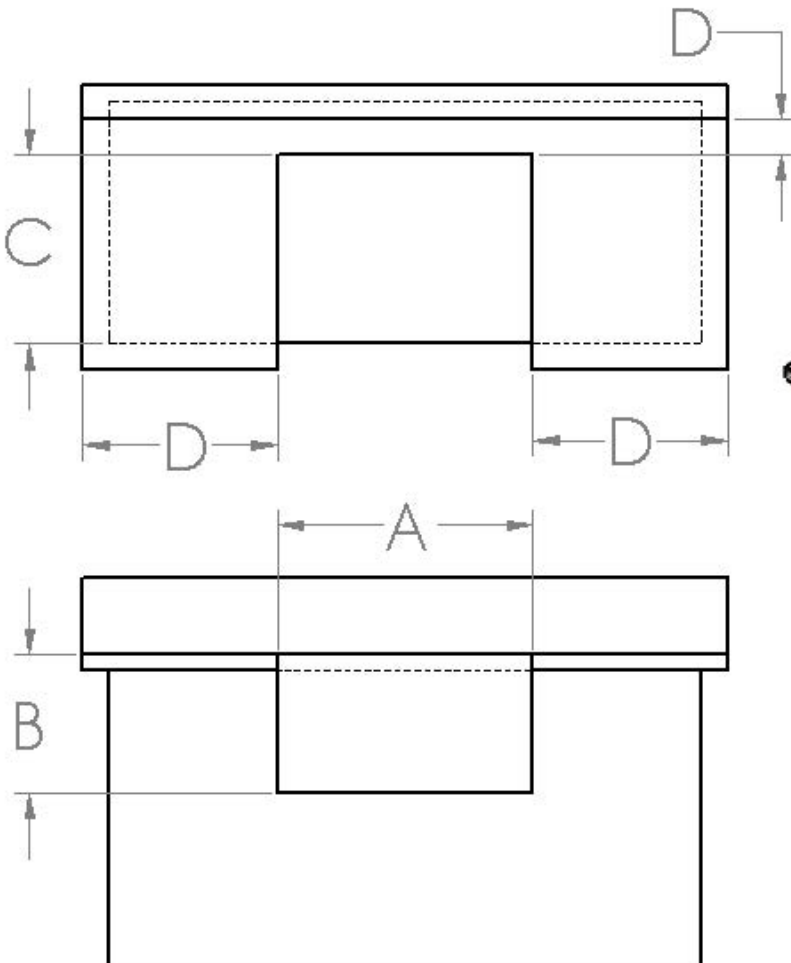
WARNING: See clearance to combustible materials, when designing and constructing a built-in island. Built-In islands must be built to the specifications listed below.

The owner and/or builder are responsible for consulting local, county and state building codes for securing any necessary building permits before construction. NOTE: Construction codes vary from locality to locality.

NOTE: Dimensions are to the finished surfaces. Grill cavity surfaces are to be plumb and level to ensure a proper fit.

BGBS26 BEALE BUILT-IN		
	DIMENSION	TOLERANCE
A	30 1/4"	± 1/8"
B	16 3/4"	± 1/8"
C	24 1/2"	± 1/8"
D	3 1/2" MIN	

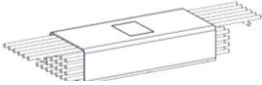
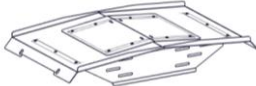
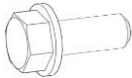
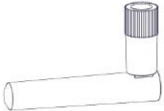
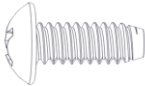

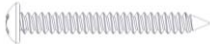
BGBS26 BEALE BUILT-IN		
	DIMENSION	TOLERANCE
A	76.9 cm	± .30cm
B	42.6 cm	± .30cm
C	62.9 cm	± .30cm
D	8.9 cm MIN	

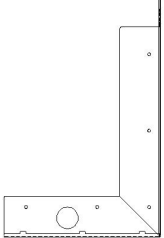
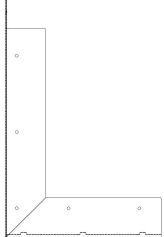







HARDWARE COMPONENTS

HARDWARE COMPONENTS CONT.

DESCRIPTION/PART NO.	QTY:	PICTURE
1) Grate Kit VG4409	1	
2) Savorizer VG2700	1	
3) Bracket Bolt DS2311	10	
4) Antenna VG9025	1	
5) #10 Screw (SS) DS2186	2	
6) Concrete Anchor DS2349	2	
7) #10 SS PH SCREW DS2350	2	

DESCRIPTION/PART NO.	QTY:	PICTURE
8) Left Mounting Bracket BG8002	1	
9) Right Mounting Bracket BG8003	1	
10) Rear Mounting Bracket BG8001	1	
OPTIONAL		
11) HEAT SHIELD VGBHSK	2	
12) #10 SCREW(BLK) DS2185	4	

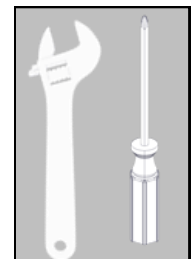
TIME REQUIRED

1.5 Hours



TOOLS REQUIRED

- 3/8" Open End Wrench, Socket or Adjustable Wrench
- Phillips Screw Driver or Drill
- Snips or Heavy Duty Scissors
- Cut Resistant Gloves

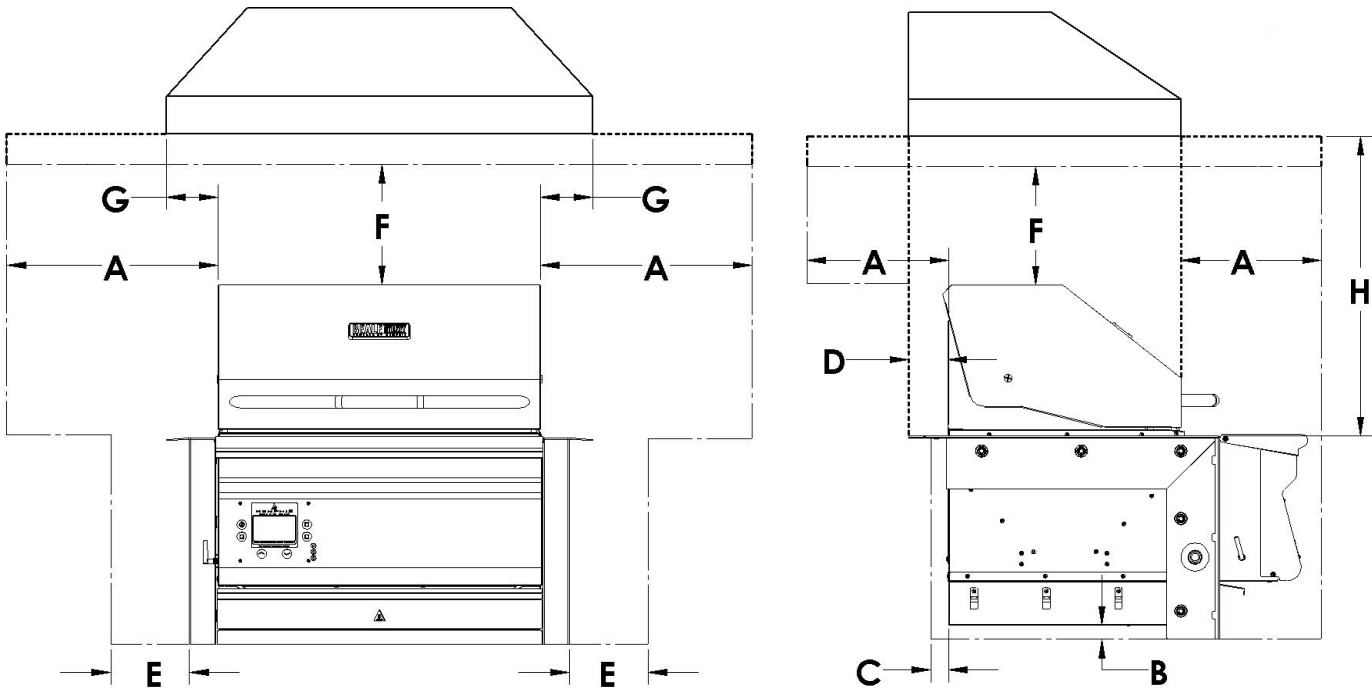




INSTALLATION RECOMMENDATIONS

OUTDOOR VENT HOOD

Review diagram below for minimum vent hood dimensions. The edge of the hood extends a minimum of 3" past the side edges of the cook surface and 3 1/2" from the back. The bottom of the hood is located 30" - 44" above the cook surface. The blower CFM rating is a minimum of 1,200 cubic feet per minute. Overall minimum coverage area for hood is 31 1/2" X 22 1/4".



DEDICATED ELECTRICAL CIRCUIT WITH GFCI PROTECTED OUTLET

A dedicated GFCI protected electrical circuit is required for all Memphis Wood Fire Grills and controller systems. This circuit should be installed by a Certified Electrician. Although the Memphis Grill only uses about 4 amps of current during startup, any other equipment (refrigerator, pool pump, fountains, ect.) that have high current draw, consistently or intermittently from the same electrical circuit can cause potential issues and/ or interruptions with the performance of the grill. We recommend an on/off switch to be installed in this circuit so that the grill can be easily disconnected from power when not in operation. This will prevent the buildup of interference that could affect the controller's operation.

INSTALLATION STEP 1: UNPACKING

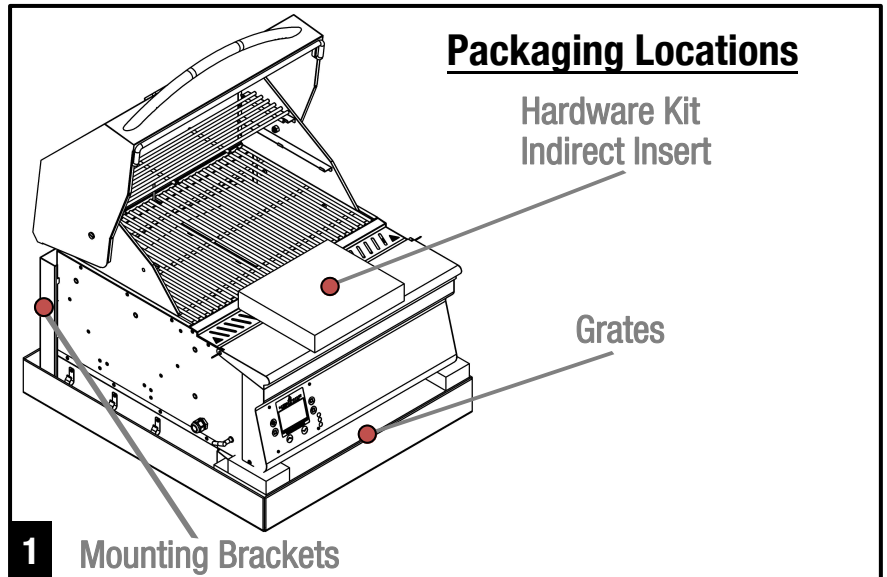


Grill requires (2) two people for safe assembly

Please note that during shipping some movement may have taken place, so a complete visual inspection is required. Be sure to inspect entire grill after removing the protective shipping carton. Report any damage to your local dealer immediately. Shipping damage is not covered under warranty.

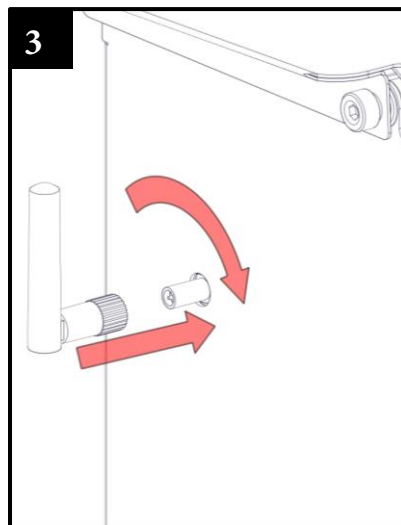
Some surfaces may be sharp so wear gloves when assembling. **Do not plug in the grill until it's fully assembled, the plastic protective film is removed from all stainless steel surfaces, and you're ready to cook. See: "startup procedure" for more details.**

- 1) Remove the Savorizer (item 2) and included grates (item 1) from inside the grill hood. To remove the Savorizer, cut the 4 zip ties holding it in place. Set aside grates and Savorizer until needed.
- 2) Peel all plastic protective film from the grill. Be diligent about inspection as the protective film will be hard to remove once a grill is installed and first burned.



INSTALLATION STEP 2: WIRING

- 3) Install the included antenna into its bulk head. The bulk head is located on the left panel of the grill (Looking at the grill from the front).

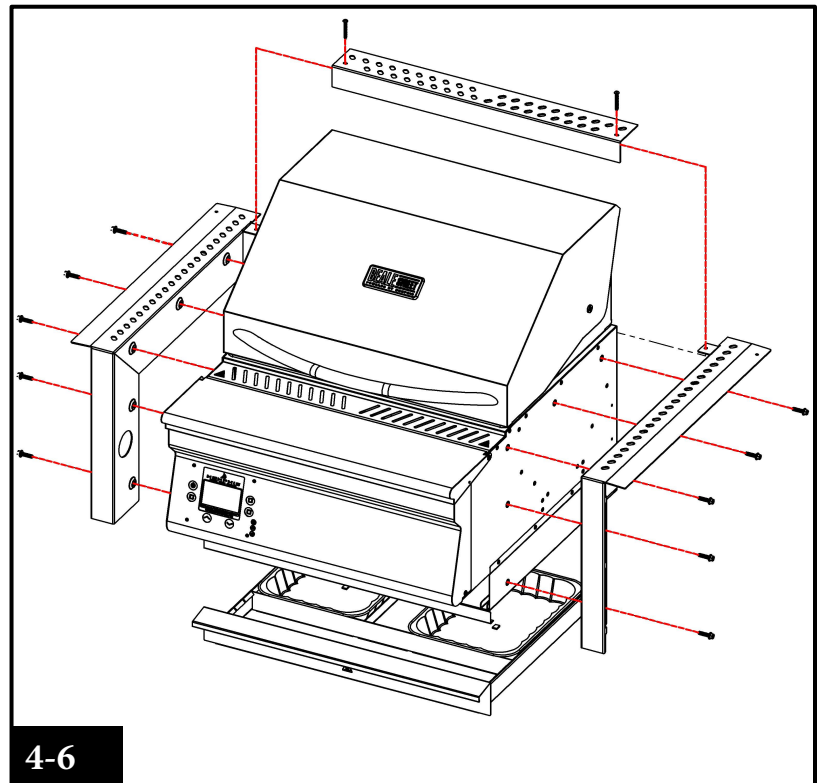




INSTALLATION STEP 3: BRACKETS

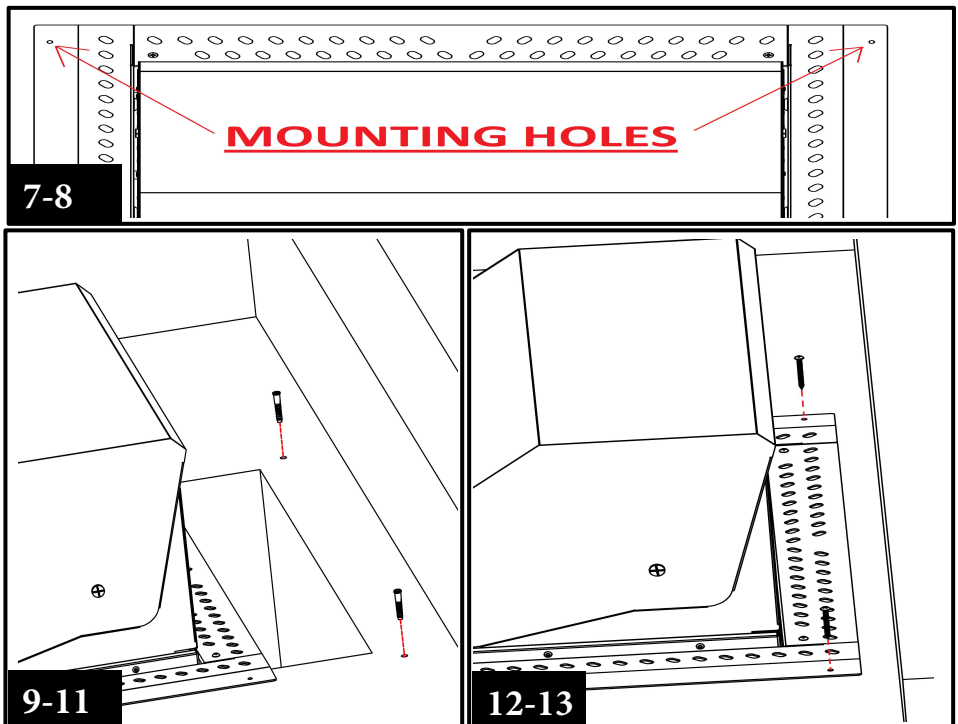
Follow the assembly steps listed below, prior to installation of the unit. The unit is mounted by the support brackets (items 8, 9 & 10). Refer to page 4 for item part numbers, descriptions and quantities.

- 4) Remove the ash/grease drawers from the unit.
- 5) Fasten the left and right support brackets (items 8 and 9) to the unit using the ten 1/4"-20 stainless steel hex bolts (item 3).
- 6) Fasten the rear support bracket (item 10) to the left and right support brackets (items 8 and 9) with two 10-24 x 1/2" long stainless steel screws (item 5).



INSTALLATION STEP 4: GRILL MOUNTING

- 7) Place the unit into the island, and position it to the desired depth. Ensure that the vent holes in the support brackets are unobstructed.
- 8) Locate the two mounting holes found in the back of the left and right support brackets (items 8 & 9), and mark the hole locations onto the island's countertop.
- 9) Carefully slide the unit out of the island, exposing the marked holes on the countertop.
- 10) Drill two 5/16" holes into the countertop using a drill bit appropriate for the material of the countertop.
- 11) Insert two concrete anchors (item 8), into the two 5/16" holes.
- 12) Slide the unit back into position, lining up the mounting holes in the left and right support brackets with the concrete anchors.
- 13) Fasten the unit into place using the two 1 3/4" long stainless steel screws (item 9). Do not over-tighten.





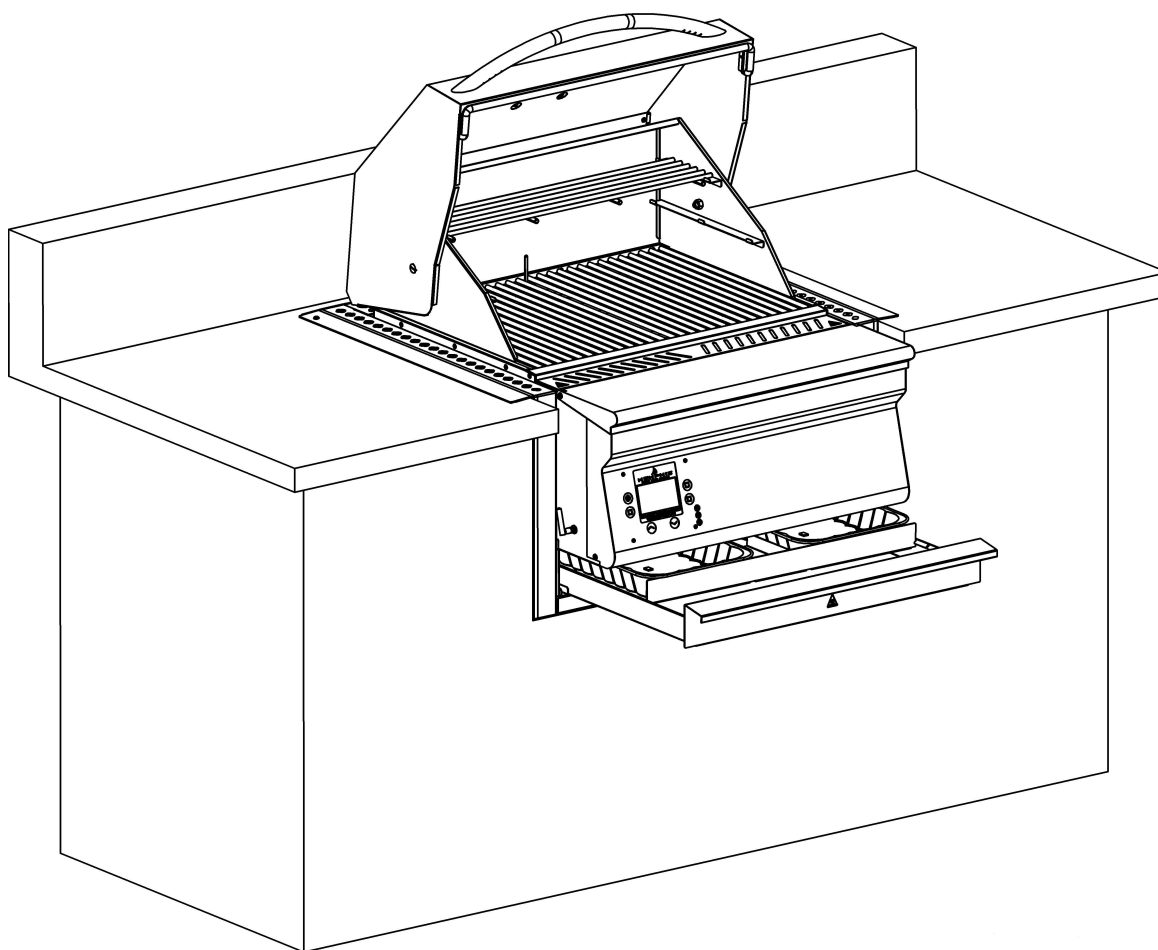
INSTALLATION STEP 5: FINAL ASSEMBLY

Refer to page 4 for item part numbers, descriptions and quantities

- 14) Insert the ash/grease drawer back into the unit.
- 15) Place Savorizer (item 2) onto the left and right lower brackets found inside the unit.
- 16) Place the four lower cook grates (item 1) onto the front and rear supports. Place the long cook grate (item 1) onto the left and right upper brackets found inside the unit.


Vent holes on the mounting brackets must remain unobstructed.

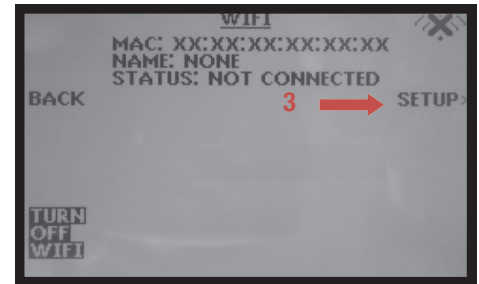
Refer to the manual for first time use instructions.



MEMPHIS WI-FI SET UP GUIDE

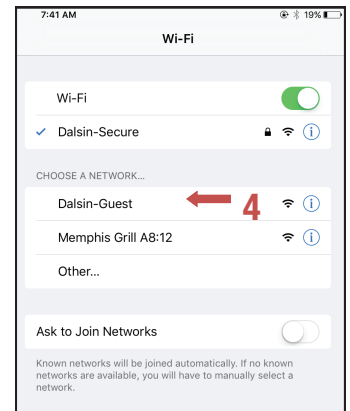
ON YOUR GRILL CONTROLLER:

- 1) A Wi-Fi connection can be set up in minutes on your Memphis Wood Fire Grill. First power the grill on pressing the upper left button  on the controller, and from the home screen press the lower left button “MENU”, then the bottom right button “DOWN ARROW”, and then the upper right button “WIFI”.
- 2) The “WIFI” screen on your grill contains everything needed to connect your grill to a Wi-Fi network. First, you will notice that Wi-Fi is OFF, this is enabled by default for users not wishing to use Wi-Fi. To turn Wi-Fi ON, simply press the lower left button “TURN ON WIFI”.
- 3) Next, press and release the upper right button “SETUP” and the grill will start broadcasting the Memphis Grill network. Once the status field displays “CONNECTING” the grill is ready to be connected to your network via any Wi-Fi compatible device.



ON YOUR PHONE OR TABLET: (UNDER WIFI SETTINGS)

- 4) Simply go to available Wi-Fi networks on your phone or tablet and select the network “Memphis Grill xx:xx”
NOTE: The xx:xx characters will be your own unique combination of letters and numbers, and will match the last 4 digits shown on the grill controller next to MAC.
- 5) Once selected, the grills network will automatically bring you to the provisioning page where you will connect your grill to your desired Wi-Fi network. Find all connectible networks in the grills range by hitting the button labeled "Search". Once displayed you can click and release the desired network name and it will auto populate the “SSID” with your selection. Now you can enter your desired networks password. If the network does not require a password, leave the password field blank.



NOTE: 5.0 GHz networks will not show in the list of available networks as the grill cannot connect to them.

The network name and password cannot contain any non-alphanumeric characters ie. #, !, ?, -.

The Wi-Fi signal strength at the grill is indicated in the box to the far right of the network name. This will be a negative number ranging from 0 to -100. 0 being the best and -100 being the worst.

Some devices will not bring up the provisioning page automatically. Once your device is connected to the grills network, go into your phones web browser and visit www.wificonfig.com to manually bring up the provisioning page.



- 6) Click "Connect" and the page will automatically close.
NOTE: Your device may momentarily display an error message. This indicates that the grill has disconnected from your phone and is attempting to connect to your desired network.
- 7) The Wi-Fi setup is now complete. The status on the controller should now read “WIFI CONNECTED”. The time period from hitting “CONNECT” to “WIFI CONNECTED” can take up to 3 minutes based on connection strength. If the grill does not connect please refer to www.memphisgrills.com/wi-fi-setup for troubleshooting.

SSID	MAC	Signal Strength
Home network 1	XX:XX:XX:F8:A7	-61
Home 2	XX:XX:XX:F8:A7	-61
Home network 3	XX:XX:XX:F8:A7	-62

MEMPHIS WI-FI SET UP GUIDE CONTINUED

- Download our app MEMPHIS GRILLS from the IOS App Store or Google Play Store
- Enter a valid email into the "CUSTOMER ID" field, and create a password that you will use to login to the app. Then click "Create an Account" this will bring up our cloud providers Terms of Service, click "Accept". You will then receive an email confirmation link at the email used to sign up from Grovestreams who is our cloud provider.

NOTE: The email address you used to confirm your Memphis Grills account will become your Customer ID when logging into the app. This email can take up to 15 minutes to appear in your inbox, and may appear in your junk or spam folders.

- Once the confirmation link is followed from your email, return to the app.
- Once confirmed, login to the app again and you will be able to add your grill. Enter the exact MAC Address and Nickname shown on the grill controller including the colons.

Example: MAC: F8:F0:05:F4:A8:12

NOTE: There are only numerical zeros, fives, and ones in the MAC Address.

Nickname is not case sensitive.

- If this is the first time adding the grill and the nickname shows Memphis on the grill it will ask for a new grill nickname. If the nickname on the grill is anything other than Memphis put that in as the grill nickname.

NOTE: The grill nickname can only contain numbers and letters, NO spaces.

9

MEMPHIS
WOOD FIRE GRILLS

Customer ID

Password

Remember Me

LOGIN

Create An Account

Add Grill 11

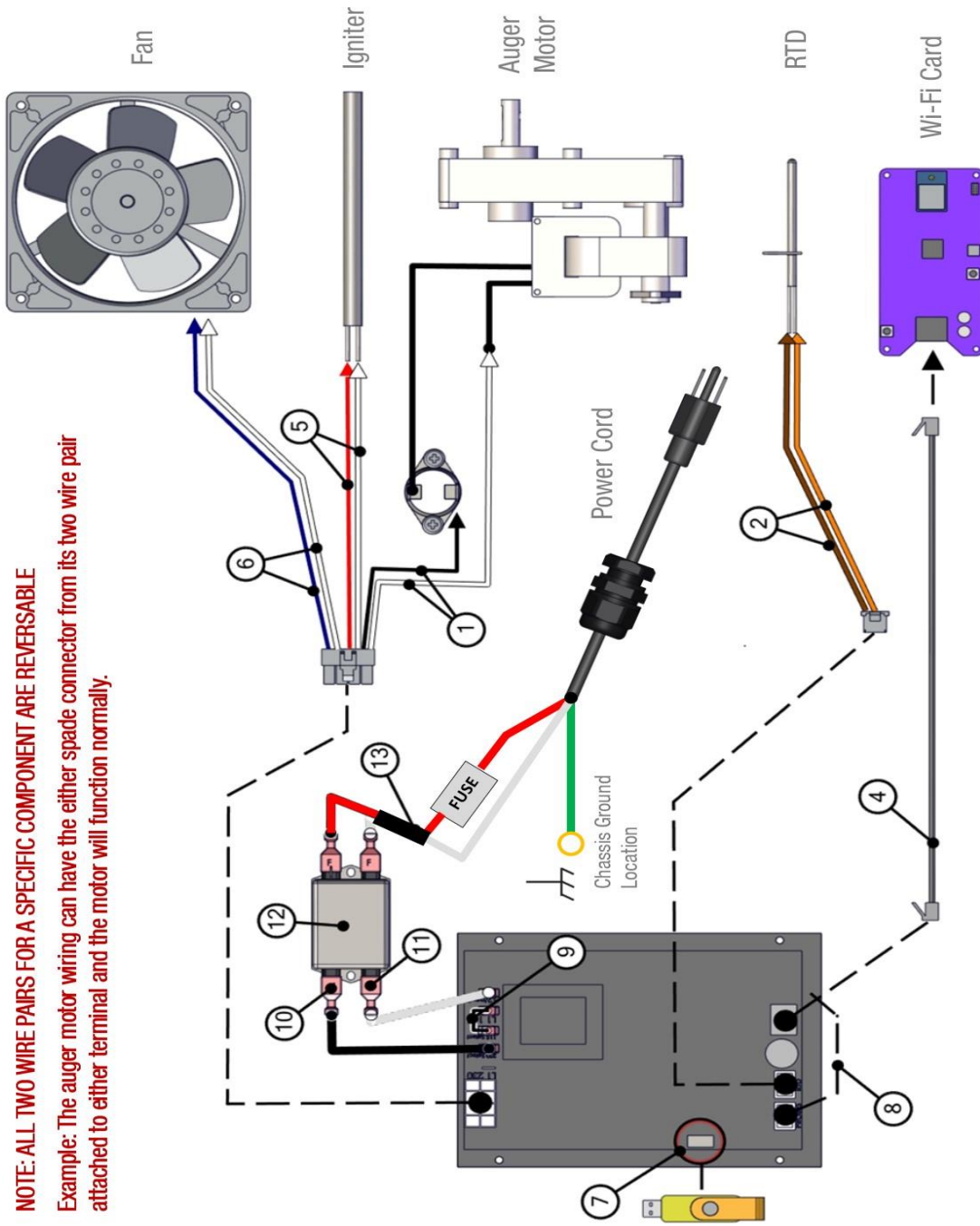
Enter Grill MAC Address and a Grill Nickname.

Grill MAC Address
F8:F0:05:F4:A8:12

Grill Nickname
memphis

New Grill Nickname
newgrill

DONE CANCEL



NOTE: ALL TWO WIRE PAIRS FOR A SPECIFIC COMPONENT ARE REVERSABLE

Example: The auger motor wiring can have the either spade connector from its two wire pair attached to either terminal and the motor will function normally.





<u>Item #</u>	<u>NAME</u>	<u>Wire Identification</u>	<u>DESCRIPTION / INSTRUCTION</u>
1	Auger Motor Wiring	1x Black Wire, 1x White Wire Snap Disk Leads Extending from Auger Motor	Attach the white wire shown to one of the leads extending from the auger motor. Attach the black wire to the snap disk as shown. The 2 nd lead extending from the auger motor attaches to the opposite side of the snap disk as shown. The snap disk is a thermal switch which will cut power to the auger motor in the event that its critical temperature is reached.
2	RTD Wiring	1x Orange Wire, 1x Brown Wire	Attach both spade connectors to the leads extending from the RTD as shown above.
3	Grounding Wire	Green Wire	The connection point for the ground is located on the auger motor gearbox body as shown.
4	Ethernet Cable	Black Cable with Ethernet End	Attach the Ethernet cable to the terminal on the Wi-Fi card as shown. Ensure that the wiring does not interfere with the auger motor's moving components.
5	Igniter Wiring	1x Red Wire, 1x White Wire	Attach both spade connectors to the leads extending from the igniter. These leads will extend from next to the fan.
6	Fan Wiring	1x Blue Wire w/ 2 spade ends, 1x White Wire w/ 2 spade ends	Attach the connections on this jumper to the two tabs located on the side of the fan housing.
7	USB Port	N/A	Used to update your grill, see the "Updating Controller Software" section of the main manual for information.
8	Meat Probe Wiring	1x Red Wire 1x Black Wire, Wires twisted around each other	This terminal is used to connect the meat probes to the controller
9	120/240 Select Jumper	1x Black Wire	Used when changing the input voltage to the controller, see "120v to 240v Conversion" section of the main manual for information.
10	AC Load Wire from Filter to Controller	1x Black Wire	Carries AC voltage from the filter to the control board, load wire.
11	AC Neutral Wire from Filter to Controller	1x White Wire	Carries AC voltage from the filter to the control board, neutral wire.
12	Filter	N/A	Reduces electrical feedback. Line = Outlet Side, Load = Grill Side. L1 = Load L2= Neutral
13	MOV + Fuse Holder	1x Red Wire 1x White Wire, Pair is joined in the middle with black shrink wrap. Fuse holder is cylindrical and white plastic.	A two wire component which has a ferrite choke to eliminate input electrical disturbances from the grid. Load and Neutral wires. Fuse holder that accepts

CONTACT YOUR DEALER OR MEMPHIS GRILLS TECHNICAL SERVICE WITH ANY QUESTIONS.

TECHNICAL SERVICE NUMBER: 1-888-883-2260