

Installation Instructions

27" & 30" Electric Built-In Wall Ovens

Questions? Call 1.800.GE.CARES (1.800.432.2737) or visit www.GEAppliances.com

In Canada, call 1.800.561.3344 or visit www.GEAppliances.ca

BEFORE YOU BEGIN

Read these instructions completely and carefully.

- **IMPORTANT** — Save these instructions for local inspector's use.
- **IMPORTANT** — Observe all governing codes and ordinances.
- **Note to Installer** – Be sure to leave these instructions with Consumer.
- **Note to Consumer** – Keep these instructions for future reference.
- **Skill level** – Installation of this appliance requires a qualified installer or electrician.
- Proper installation is the responsibility of the installer.
- Product failure due to improper installation is not covered under Warranty.
- Product is for indoor use only.

ATTENTION INSTALLER: All electric wall ovens must be hard-wired (direct-wired) into an approved junction box. A plug and receptacle is NOT permitted on these products.

FOR YOUR SAFETY:

⚠ WARNING: Before beginning the installation, switch power off at the service panel and lock the service disconnecting means to prevent power from being switched on accidentally. When the service disconnecting means cannot be locked, securely fasten a prominent warning device, such as a tag, to the service panel.

Be sure the oven is securely installed in a cabinet that is firmly attached to the house structure. Weight on the oven door could cause the oven to tip and result in injury. Never allow anyone to climb, sit, stand or hang on the oven door.

Make sure the wall coverings, counters and cabinets around the oven can withstand the heat (up to 200°F [93.3°C]) generated by the oven.

MATERIALS YOU MAY NEED

Junction Box
Wire Nuts
Strain Relief Clamp for 1/2" Conduit

TOOLS YOU MAY NEED

1/8" Drill Bit and Electric or Hand Drill
Phillips Screwdriver
Wire Strippers

1 REMOVE PACKAGING MATERIALS

Failure to remove packaging materials could result in damage to the appliance. Remove all packing parts from oven, racks and heating elements. Remove protective film and labels on the outer door and control panel. Also, remove plastic on trims and panel, all tape around the oven and any shipping screws securing the oven to the base pad. Open oven door and remove literature pack and oven racks. Remove the bottom trim from the top of the oven. It will be installed at the end of the installation process. The trim is wrapped separately and taped to the top of the unit. Remove pedestal rails from separate box and set aside (30" Double Wall Ovens Only).

DESIGN INFORMATION

SINGLE OVEN INSTALLATIONS

The single oven may be installed in a cabinet alone or above a warming drawer. The single oven may also be installed below a countertop or below specified cooktops. See the label on top of the oven for approved models.

DOUBLE OVEN INSTALLATIONS

A double oven may be installed in a cabinet alone or above a warming drawer. See the label on top of the oven for approved models.

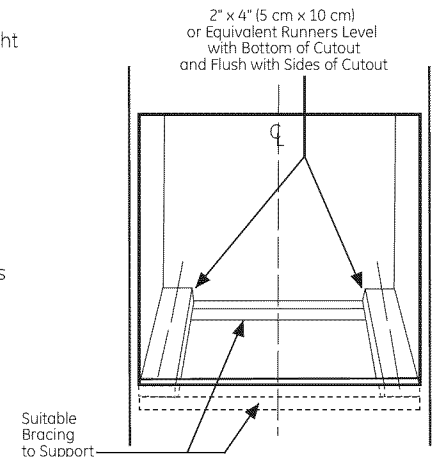
IMPORTANT: Always refer to individual installation instructions packed with each product for specific requirements.

2 PREPARE THE OPENING

NOTE: If the cabinet does not have a solid bottom, two braces or runners must be installed to support the weight of the oven. For single ovens, the runners and braces must support 200 lbs (91 kg). For double ovens, the runners and braces must support 375 lbs. (170 kg).

NOTE: If marks, blemishes or the cutout opening are visible above the installed oven, it may be necessary to add wood shims under the runners and front trim until the marks or opening are covered.

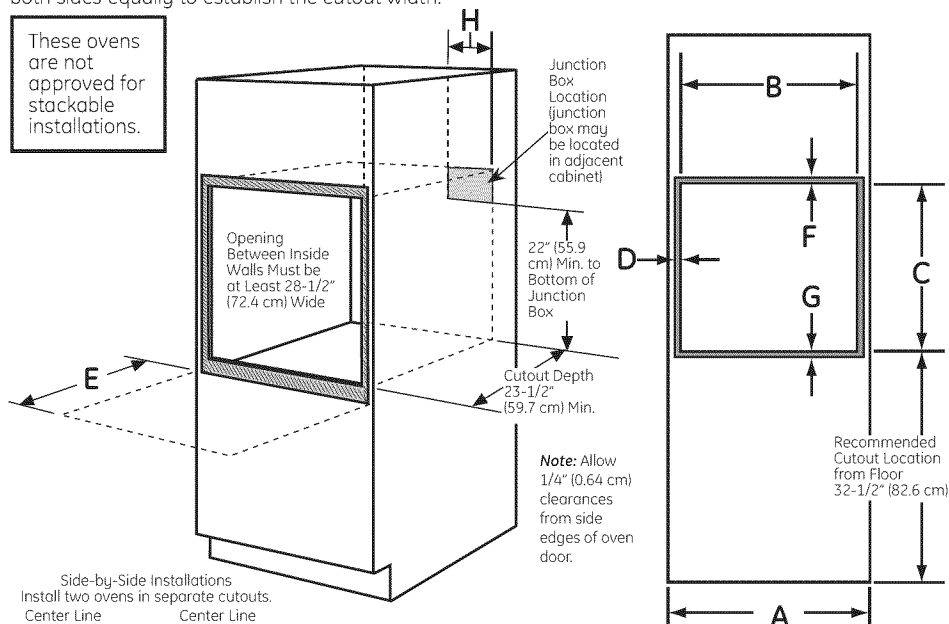
NOTE: If the cabinet does not have a front frame and the sides are less than 3/4" (1.9 cm) thick, shim both sides equally to establish the cutout width.



2 A CUTOUT FOR SINGLE OVENS IN WALL CABINET

NOTE: If the cabinet does not have a front frame and the sides are less than 3/4" (1.9 cm) thick, shim both sides equally to establish the cutout width.

These ovens are not approved for stackable installations.



Cutout - observe all dimensions and requirements.

Cutout - observe all dimensions and requirements.

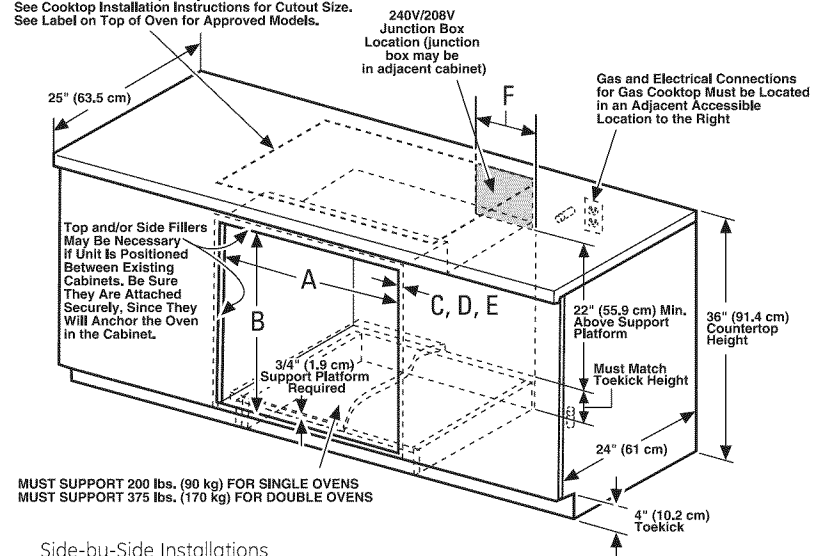
2" (5.1 cm) Min.

Dimension	Dimension Description	27" Single Oven	30" Single Oven
A	Cabinet Width	27" (68.6 cm)	30" (76.2 cm)
B	Cutout Width	25" (63.5 cm) min. 25 1/4" (64.1 cm) max.	28 1/2" (72.4 cm) min. 28 3/8" (72.7 cm) max.
C	Cutout Height	27 3/8" (70.2 cm) min. 28 1/8" (71.4 cm) max.	27 1/4" (69.2 cm) min. 27 3/16" (69.4 cm) max.
D	Overlap of Oven Over Side Edges of Cutout	1" (2.5 cm)	1 1/16" (1.75 cm)
E	Clearance to Adjacent Corners, Drawers, Walls, etc., When Door Is Open	23" (50.8 cm) min.	23" (53.3 cm) min.
F	Overlap of Oven Top of Cutout	1" (2.5 cm) min.	1" (2.5 cm) min. (1 1/4" (3.2 cm) for PT9050)
G	Overlap of Oven Bottom of Cutout	1" (2.5 cm) min.	1 1/4" (3.2 cm)
H	Junction Box Location	8 3/4" (22.2 cm) max. right side only	9 3/8" (24.1 cm) max. right side only

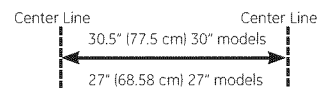
2 B CUTOUT FOR SINGLE OVENS - UNDER COUNTER

NOTE: These ovens are only approved to be installed under the specific models as labeled on the unit.

Gas or Electric Cooktops May Be Installed Over This Oven. See Cooktop Installation Instructions for Cutout Size. See Label on Top of Oven for Approved Models.



Side-by-Side Installations
Install two ovens in separate cutouts.



Cooktop

Cutout - observe all dimensions and requirements.

Cutout - observe all dimensions and requirements.

2" (5.1 cm) Min.

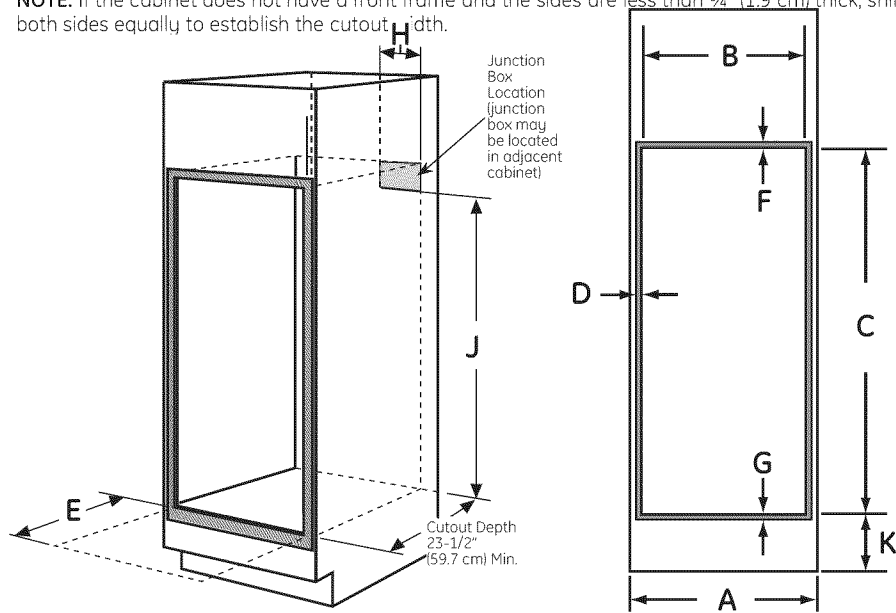
NOTE: One cooktop may be centered over either oven in the side-by-side installation.

Dimension	Dimension Description	27" Single Oven	30" Single Oven
A	Cabinet Width	25" (63.5 cm) min. 25 1/4" (64.1 cm) max.	28 1/2" (72.4 cm) min. 28 3/8" (72.7 cm) max.
B	Cutout Height	27 3/8" (70.2 cm) min. 28 1/8" (71.4 cm) max.	27 1/4" (69.2 cm) min. 27 3/16" (69.4 cm) max.
C	Unit Overlap Top	1" (2.5 cm)	1" (2.5 cm) (1 1/4" (3.2 cm) for PT9050)
D	Unit Overlap Bottom	1" (2.5 cm)	1 1/4" (3.2 cm)
E	Unit Overlap Side Edges	1" (2.5 cm)	1 1/16" (1.75 cm)
F	Junction Box Location	8 3/4" (22.2 cm) max. right side only	9 3/8" (24.1 cm) max. right side only

Continue to Section 4.

2 C CUTOUT FOR DOUBLE OVENS (2 THERMAL OVENS)

NOTE: If the cabinet does not have a front frame and the sides are less than 3/4" (1.9 cm) thick, shim both sides equally to establish the cutout width.



Dim.	Description	27" Double Oven	30" Double Oven with Pedestal	30" Double Oven without Pedestal
A	Cabinet Width	27" (68.6 cm)	30" (76.2 cm)	30" (76.2 cm)
B	Cutout Width	25" (63.5 cm) min. 25 1/4" (64.1 cm) max.	28 1/2" (72.4 cm) min. 28 3/8" (72.7 cm) max.	28 1/2" (72.4 cm) min. 28 3/8" (72.7 cm) max.
C	Cutout Height	49 1/16" (126.2 cm) min. 50 3/8" (127.3 cm) max.	51 13/16" (131.6 cm) min. 51 15/16" (131.9 cm) max.	50 1/4" (127.64 cm)
D	Overlap of Oven Over Side Edges of Cutout	1" (2.5 cm)	1 1/16" (1.75 cm)	1 1/16" (1.75 cm)
E	Clearance to Adjacent Corners, Drawers, Walls, etc., When Door Is Open	23" (50.8 cm) min.	23" (53.3 cm) min.	23" (53.3 cm) min.
F	Overlap of Oven Top of Cutout	1" (2.5 cm) min.	1" (2.5 cm) min. (1 1/4" (3.2 cm) for PT9550)	1" (2.5 cm) min. (1 1/4" (3.2 cm) for PT9550)
G	Overlap of Oven Bottom of Cutout	1" (2.5 cm) min.	1 1/4" (3.2 cm)	1 1/4" (3.2 cm)
H	Junction Box Location	8 3/4" (22.2 cm) max. right side only	9 1/2" (24.1 cm) max. right side only	9 1/2" (24.1 cm) max. right side only
J	Height to Bottom of Junction Box	44" (111.8 cm)	47" (119.4 cm)	47" (119.4 cm)
K	Recommended Cutout Location from Floor	13 3/4" (33.7 cm)	12" (30.5 cm)	12" (30.5 cm)

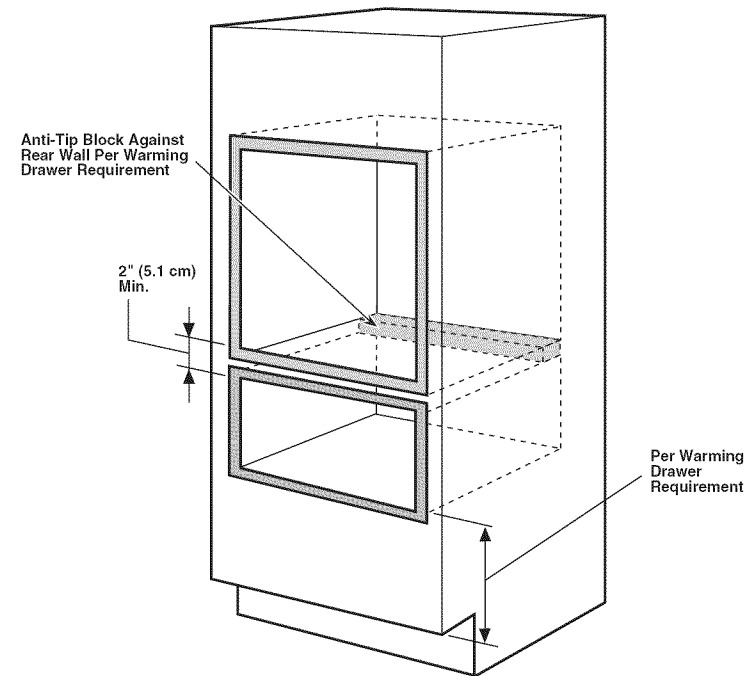
Continue to Section 3.

2 D CUTOUT FOR INSTALLATION OVER A WARMING DRAWER

NOTE: Install the oven only with specific models listed on the label located on top of the oven.

NOTE: Additional clearances between cutouts may be required. Check to be sure the oven supports above the Warming Drawer location do not obstruct the required interior depth and height.

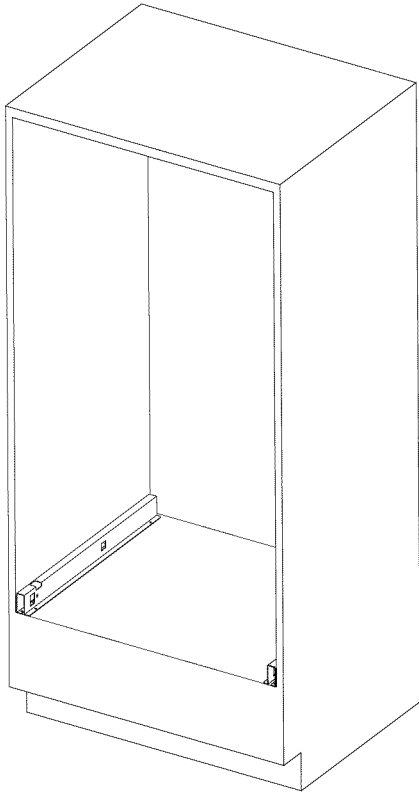
When installing a Warming Drawer below a single or double oven, a separate 120V, 60 HZ, properly grounded receptacle must be installed. Refer to installation instructions packed with the Warming Drawer for specific installation requirements.



Continue to Section 3 for DWO with Pedestal. Otherwise, continue to Section 4.

3 PEDESTAL RAIL INSTALLATION (DOUBLE OVENS ONLY)

- A. Place one pedestal rail on each cabinet runner or centered on opposite side of solid cabinet bottom flush with side of cabinet opening. Locate each rail so that front of rail is behind front cabinet opening.
- B. Drill pilot holes and attach rails to runner or bottom of cabinet with provided hardware.



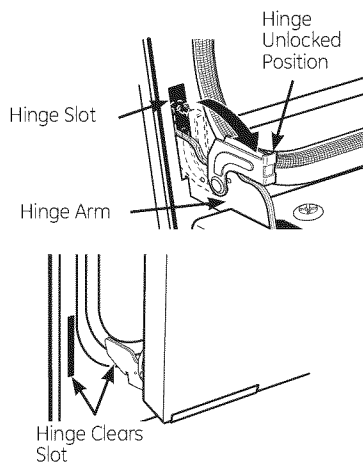
4 DOOR REMOVAL (RECOMMENDED)

NOTE: Door removal is not a requirement for installation of the product but is an added convenience.

To remove the door:

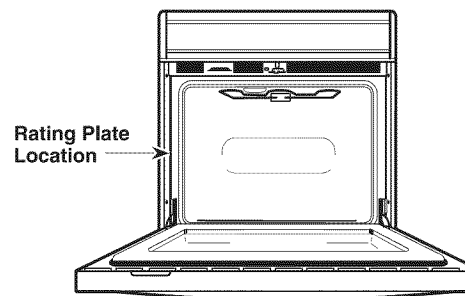
- A. Open the oven door as far as it will go.
- B. Push both hinge locks down toward the door frame to the unlocked position. This may require a flat-blade screwdriver. **DO NOT LIFT THE DOOR BY THE HANDLE!**
- C. Place hands on both sides of the door and close the oven door to the removal position (approximately 1"–2" [2.5 cm–5.1 cm] from the closed position).
- D. Lift the door up and out until the hinge arms clear the slots.

NOTE: The oven door is very heavy. Be sure you have a firm grip before lifting the oven door off the hinges. Use caution once the door is removed. Do not lay the door on its handle. This could cause dents or scratches.



5 ELECTRICAL REQUIREMENTS (CONT.)

This appliance must be supplied with the proper voltage and frequency and connected to an individual, properly grounded branch circuit, protected by a circuit breaker or fuse. See the rating plate located on the oven frame to determine the rating of the product.



Rating plate is located on the oven side trim.

Use the chart below to determine the minimum recommended dedicated circuit protection:

KW Rating 240V	KW Rating 208V	Recommended Circuit Size (Dedicated)
≤4.8 KW	≤4.1 KW	20 Amp
4.9 KW–7.2 KW	4.2 KW–6.2 KW	30 Amp
7.3 KW–9.6 KW	6.3 KW–8.3 KW	40 Amp
9.7 KW–12.0 KW	8.4 KW–10.4 KW	50 Amp

DO NOT shorten the flexible conduit. The conduit strain relief clamp must be securely attached to the junction box and the flexible conduit must be securely attached to the clamp. If the flexible conduit will not fit within the clamp, do not install the oven until a clamp of the proper size is obtained.

The 3 power leads supplied with this appliance are suitable for connection to heavier gauge household wiring. The insulation of these 3 leads is rated for temperatures much higher than the temperature rating of the household wiring. The current-carrying capacity of the conductor is governed by the wire gauge and the temperature rating of the insulation around the wire.

5 ELECTRICAL REQUIREMENTS

⚠ WARNING: This appliance must be properly grounded.

⚠ WARNING: To prevent fire or shock, do not use an extension cord with this appliance.

⚠ WARNING: To prevent shock, remove house fuse or open circuit breaker before beginning installation.

⚠ WARNING: Improper connection of aluminum house wiring to copper leads can result in an electrical hazard or fire. Use only connectors designed for joining copper to aluminum and follow the manufacturer's recommended procedure closely.

We recommend you have the electrical wiring and hookup of your appliance connected by a qualified electrician. After installation, have the electrician show you how to disconnect power from the appliance.

You must use a single-phase, 120/208 VAC or 120/240 VAC, 60 Hertz electrical system. If you connect to aluminum wiring, properly installed connectors approved for use with aluminum wiring must be used.

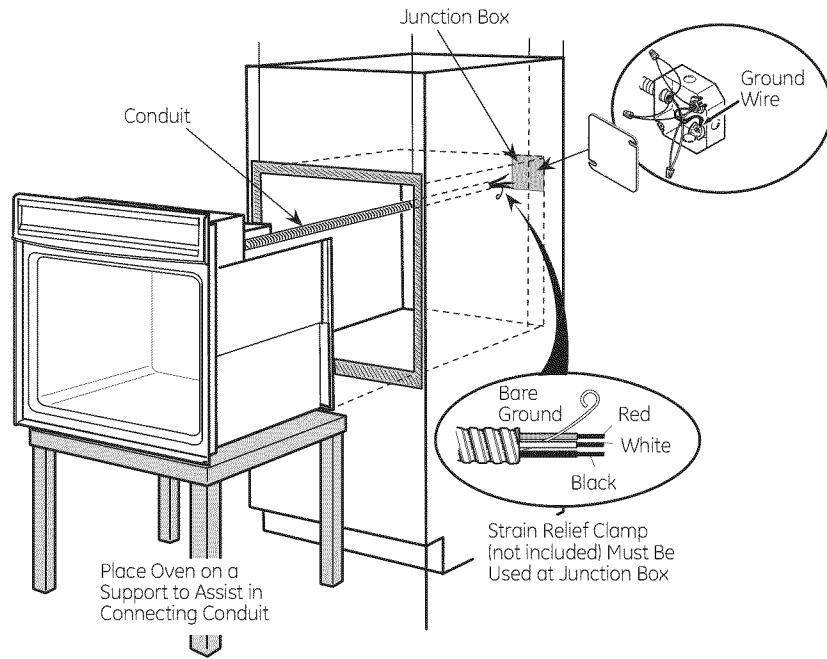
Effective January 1, 1996, the National Electrical Code requires that new construction (not existing) utilize a four-conductor connection to an electric oven. When installing an electric oven in new construction, a mobile home, recreational vehicle or an area where local codes prohibit grounding through the neutral conductor, refer to the section on four-conductor branch circuit connections.

Check with your local utilities for electrical codes which apply in your area. Failure to wire your oven according to governing codes could result in a hazardous condition. If there are no local codes, your oven must be wired and fused to meet the National Electrical Code, NFPA No. 70 – latest edition, available from the National Fire Protection Association.

6 MAKE ELECTRICAL CONNECTIONS

⚠ WARNING: Switch power off at the service panel and lock the service disconnecting means to prevent power from being switched on accidentally. When the service disconnecting means cannot be locked, securely fasten a prominent warning device, such as a tag, to the service panel.

Place oven on table or platform even with the cutout opening. For a single oven, the platform must support 200 lbs. (91 kg); and for a double oven, the platform must support 375 lbs. (170 kg). Connect the flexible conduit to the electrical junction box as shown below*. Position the conduit in such a manner that it will lie behind the unit in a natural loop when the oven is installed. You will need to purchase an appropriate strain relief clamp to complete the connection of the conduit to the junction box.



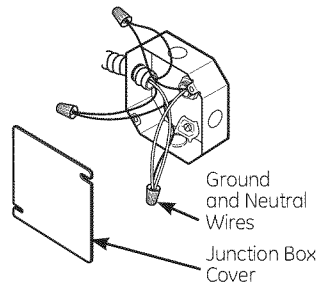
*Ovens come equipped with a 40" long conduit. If a longer conduit is desired, there may be one available for your model. To check availability or order parts, call 1.800.GE.CARES.

7 THREE-CONDUCTOR BRANCH CIRCUIT CONNECTION

NOTE: If residence leads are aluminum conductors, see **WARNING** in Section 5, Electrical Requirements.

When connecting to a three-conductor branch circuit, if local codes permit:

- Connect the bare oven ground conductor with the crimped neutral (white) lead to the branch circuit neutral (white or gray in color), using a wire nut.
- Connect the oven red lead to the branch circuit red lead and the oven black lead to the branch circuit black lead in accordance with local codes, using wire nuts.
- Install junction box cover.



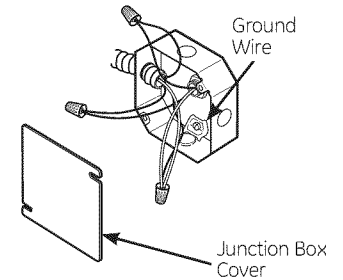
8 FOUR-CONDUCTOR BRANCH CIRCUIT CONNECTION

NOTE: If residence leads are aluminum conductors, see **WARNING** in Section 5, Electrical Requirements.

- Cut the neutral (white) lead from the crimp. Re-strip the neutral (white) lead to expose the proper length of conductor.
- Attach the appliance grounding lead (green or bare copper) in accordance with local codes. If the residence grounding conductor is aluminum, see **WARNING** in Section 5.
- Connect the oven neutral (white) lead to the branch circuit neutral (white or gray) in accordance with local codes, using a wire nut.
- Connect the oven red lead to the branch circuit red lead and the oven black lead to the branch circuit black lead in accordance with local codes, using wire nuts.

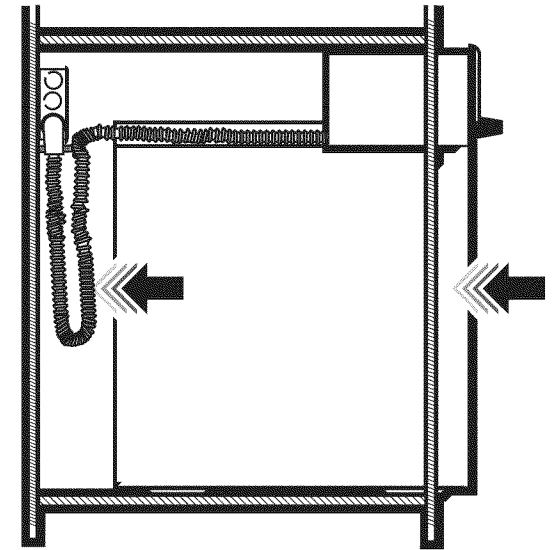
NOTE: If the residence red, black or white leads are aluminum conductors, see **WARNING** in Section 5.

- Install junction box cover.



9 SLIDE OVEN INTO OPENING

- Lift oven into cabinet cutout using the oven opening as a grip. Carefully push against opening as front frame. Do not push against outside edges.



10 MOUNT THE OVEN

▲WARNING: Mounting screws must be used. Failure to do so could result in the oven falling out of the cabinet, causing serious injury.

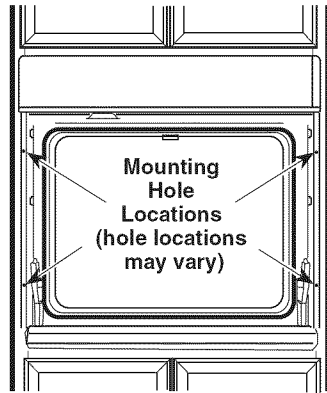
NOTE: During oven mounting step, ensure that no damage is done to oven gasket which lines the edge of oven cavity.

NOTE: Before drilling the pilot holes, make sure the oven is pushed as far back into the opening as it will go and is centered.

NOTE: If the cabinet is particle board, you must use #8 x 3/4" particle board screws. These may be purchased at any hardware store.

A. Drill through the mounting holes (top and bottom) of the side trim for the #8 mounting screws provided.

B. Secure the oven cabinet with the screws provided.

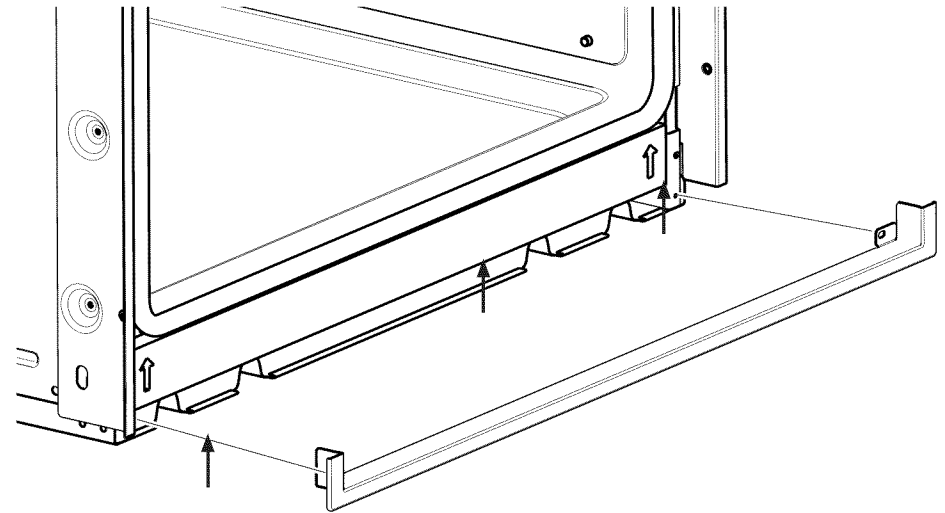


The Screws Must Be a Minimum of 1/4" (6 mm) From the Front of the Cutout.

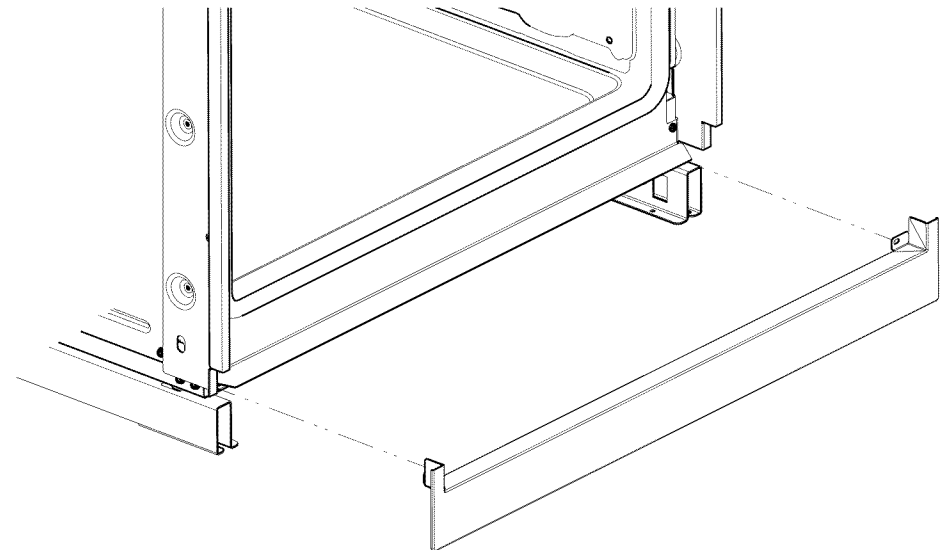
11 BOTTOM TRIM INSTALLATION

- With oven installed, attach the bottom trim through its mounting holes in front vertical brace using two trim screws provided. Bottom trim lip must be placed under flange of bottom air duct.

SWO's and DWO installations without pedestal



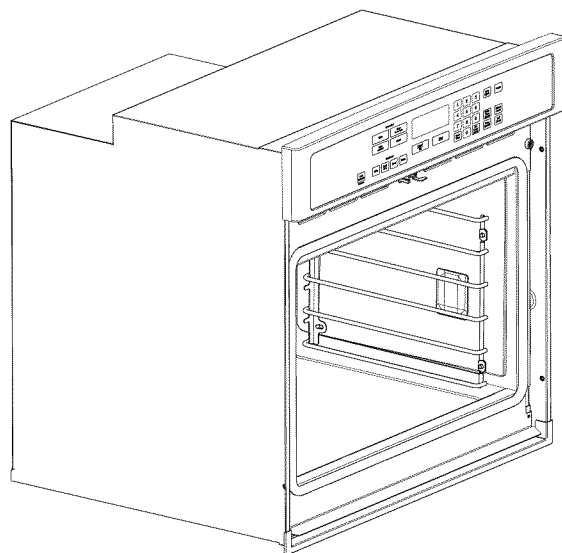
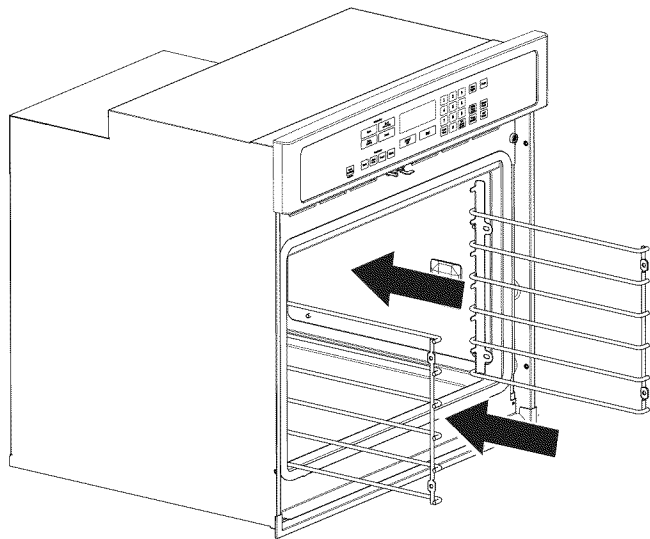
DWO's with pedestals



IMPORTANT: If this unit is ever removed from the cabinet or the oven is ever pulled out for service, the bottom trim must be removed first or damage to the trim will occur.

12 OVEN RACK GUIDE INSTALLATION (IF APPLICABLE)

- Locate included oven rack guide mounting hardware.
- Place oven rack guides on cavity wall studs with L bracket towards back of cavity as shown.
- Install guides using the 8 provided mounting nuts.

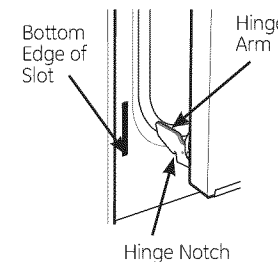
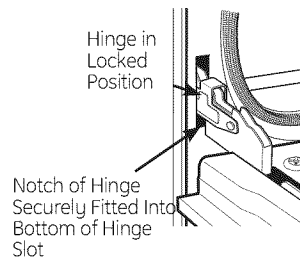
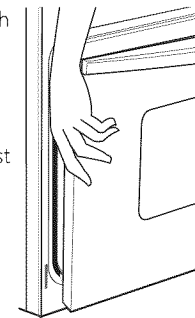


Oven rack guide shown in place.

13 REPLACING THE OVEN DOOR

NOTE: The oven door is heavy. You may need help lifting the door high enough to slide it into the hinge slots. Do not lift the door by the handle.

- Lift the oven door by grasping each side.
- With the door at the same angle as the removal position (approximately 1"–2" [2.5 cm–5.1 cm] from the closed position), seat the notch of the hinge arm into the bottom edge of the hinge slot. The notch of the hinge arm must be fully seated into the bottom of the slot.
- Fully open the door. If the door will not fully open, the indentation is not seated correctly in the bottom edge of the slot.
- Push the hinge locks up against the front frame of the oven cavity, to the locked position.
- Close the oven door.



14 FINAL INSTALLATION CHECKLIST

- Check to make sure the circuit breaker is closed (RESET) or the circuit fuses are replaced.
- Be sure power is in service to the building.
- Check that all packing material and tape have been removed. Failure to remove these materials could result in damage to the appliance once the appliance has been turned on and surfaces have heated.
- Remove all items from inside the oven.
- Check to be sure that the mounting screws are installed and flush with the side trim (see Section 10).
- Check that the bottom trim is installed properly (see Section 11).
- Ensure that air duct opening at bottom of unit is free of obstructions.
- Check that oven rack guides (if applicable) are installed correctly and oven racks function smoothly.

OPERATION CHECKLIST

- Turn on the power to the oven (refer to your Owner's Manual). Verify that the bake and broil units and all cooking functions operate properly.
- See your Owner's Manual for the troubleshooting list.
- Be sure all of the oven controls are OFF before leaving the oven.

Instrucciones de instalación

Hornos de pared eléctricos empotrados de 27" y 30"

¿Preguntas? Llame al 1.800.GE.CARES (1.800.432.2737) o visite GEAppliances.com

En Canadá, llame al 1.800.561.3344 o visite www.GEAppliances.ca.

ANTES DE COMENZAR

Lea estas instrucciones por completo y con detenimiento.

- **IMPORTANTE** — Guarde estas instrucciones para el uso de inspectores locales.
- **IMPORTANT** — Cumpla con todos los códigos y ordenanzas vigentes.
- **Nota al instalador** – Asegúrese de dejar estas instrucciones con el Consumidor.

- **Nota al consumidor** – Conserve estas instrucciones para referencia futura.
- **Nivel de destreza** – La instalación de este aparato requiere un instalador o electricista calificados.
- El instalador tiene la responsabilidad de efectuar una instalación adecuada.
- La garantía no cubre las fallas del producto provocadas por una instalación incorrecta.
- Este producto sólo se debe usar en áreas interiores.

ATENCIÓN INSTALADOR: Todos los hornos de pared eléctricos deben contar con cableado de conexión permanente (cableado directo) dentro de una caja de conexiones aprobada. En estos productos NO se permite la conexión del tipo "enchufe y receptáculo".

PARA SU SEGURIDAD:

⚠ ADVERTENCIA: Antes de comenzar la instalación, desconecte la energía del panel de servicio y bloquee los medios de desconexión para evitar el accionamiento de la energía de manera accidental. Cuando los medios de desconexión de servicio no pueden bloquearse, coloque sobre el panel de servicio un dispositivo de advertencia bien visible, como una etiqueta.

El horno debe instalarse bien en un gabinete que se encuentre firmemente sujeto a la estructura de la casa. Si se coloca peso sobre la puerta del horno, éste puede volcarse y provocar lesiones. Nunca permita que nadie se suba, siente, pare o cuelgue de la puerta del horno.

Verifique que el revestimiento de las paredes, mostradores y gabinetes ubicados alrededor del horno puedan soportar el calor (hasta 200°F [93,3°C]) generado por el horno.

MATERIALES QUE PUEDE NECESITAR

Caja de conexiones
Tapones de alambre
Abrazadera de alivio de tensión para conducto de 1/2"

HERRAMIENTAS NECESARIAS

Broca de perforadora de 1/8" y perforadora eléctrica o de mano
Destornillador de estrella
Alicates pelacables

1 QUITAR LOS MATERIALES DE EMPAQUE

No quitar los materiales de empaque puede provocar daños al electrodoméstico. Quite todas las partes de empaque del horno, bandejas y elementos de calentamiento. Quite la película protectora y las etiquetas de la puerta exterior y panel de control. También, quite los elementos plásticos de los rebordes y panel, toda la cinta que cubre el horno y los tornillos de envío que fijan el horno a la almohadilla base. Abra la puerta del horno y quite el material informativo y las bandejas del horno. Quite el reborde inferior de la parte superior del horno. Se colocará al final del proceso de instalación. El reborde se encuentra envuelto en forma separada y adherido en la parte superior de la unidad. Retire los rieles del pedestal de la caja que está aparte y déjelos a un costado (Hornos con Pared Doble de 30° Únicamente).

INFORMACIÓN DE DISEÑO

INSTALACIONES DE HORNO ÚNICO

El horno único puede instalarse solo en un gabinete o sobre un cajón calentador. El horno único también puede instalarse debajo de un mostrador de encimera o debajo de las estufas especificadas. Vea la etiqueta de la parte superior del horno para consultar los modelos aprobados.

INSTALACIONES DE HORNO DOBLE

Puede instalarse un horno doble solo en un gabinete o sobre un cajón calentador. Vea la etiqueta de la parte superior del horno para consultar los modelos aprobados.

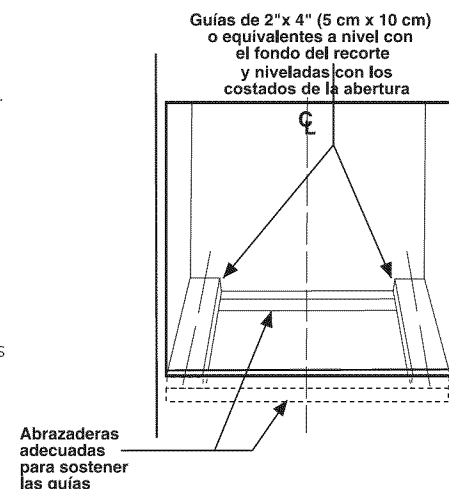
IMPORTANTE: Siempre consulte las instrucciones de instalaciones individuales enviadas con cada producto para requerimientos específicos.

2 PREPARE LA ABERTURA

NOTA: Si el gabinete no cuenta con un fondo sólido, deben instalarse dos abrazaderas o guías para soportar el peso del horno. Para hornos únicos, las guías o abrazaderas deben soportar 200 lbs (91 kgs). Para hornos dobles, las guías o abrazaderas deben soportar 375 lbs (170 kgs).

NOTA: Si marcas, imperfecciones o la abertura resultaran visibles sobre el horno instalado, puede ser necesario agregar cuñas de madera bajo las guías y el reborde frontal hasta cubrir las marcas o la abertura.

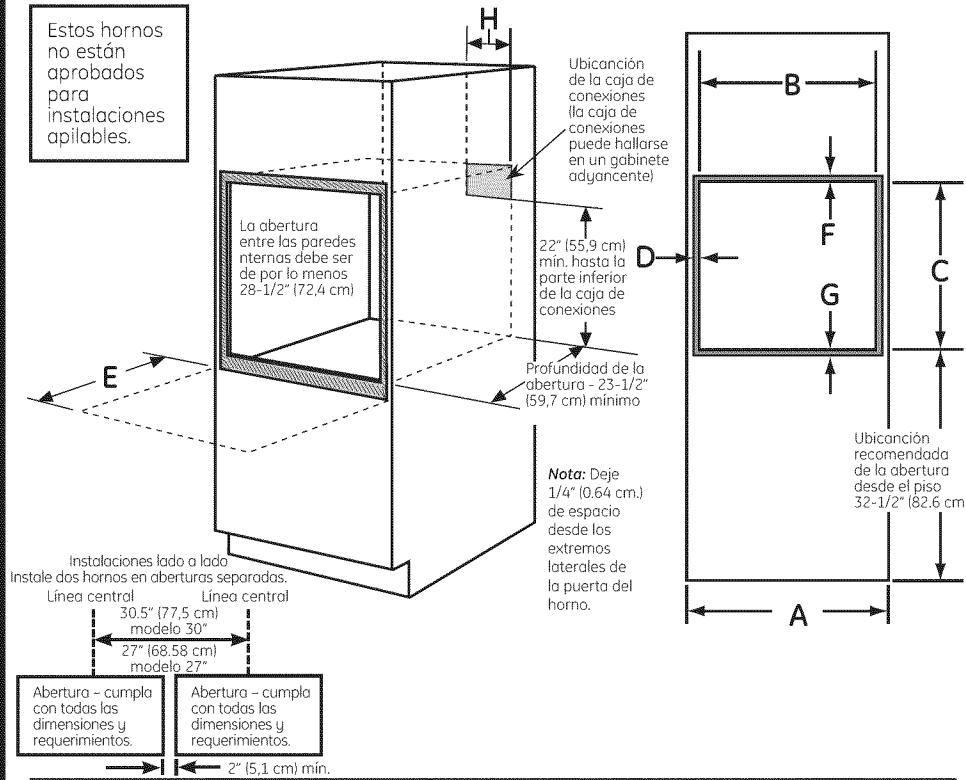
NOTA: Si el gabinete no cuenta con un armazón frontal y los lados son menores a un grosor de 3/4" (1,9 cm), coloque cuñas uniformemente sobre ambos lados para establecer al ancho de la abertura.



2 A ABERTURA PARA HORNOS ÚNICOS EN UN GABINETE DE PARED

NOTA: Si el gabinete no cuenta con un armazón frontal y los lados son menores a un grosor de 3/4" (1,9 cm), coloque cuñas uniformemente sobre ambos lados para establecer al ancho de la abertura.

Estos hornos no están aprobados para instalaciones apilables.



Dimensión	Descripción de la dimensión	Horno único de 27"	Horno único de 30"
A	Ancho del gabinete	27" (68,6 cm)	30" (76,2 cm)
B	Ancho de la abertura	25" (63,5 cm) mín. 25 1/4" (64,1 cm) máx.	28 1/2" (72,4 cm) mín. 28 3/8" (72,7 cm) máx.
C	Altura de la abertura	27 7/8" (70,2 cm) mín. 28 1/8" (71,4 cm) máx.	27 1/4" (69,2 cm) mín. 27 3/8" (69,4 cm) máx.
D	Superposición del horno sobre los costados laterales de la abertura	1" (2,5 cm)	1 1/8" (1,75 cm)
E	Espacio respecto de esquinas adyacentes, cajones, paredes, etc., cuando la puerta está abierta	23" (50,8 cm) mín.	23" (53,3 cm) mín.
F	Superposición de la parte superior del horno de la abertura	1" (2,5 cm) mín.	1" (2,5 cm) mín. (1 1/4" (3,2 cm) para PT9050)
G	Superposición de la parte inferior del horno de la abertura	1" (2,5 cm) mín.	1 1/4" (3,2 cm)
H	Ubicación de la caja de conexiones	8 3/4" (22,2 cm) máx. sólo lado derecho	9 1/2" (24,1 cm) máx. sólo lado derecho

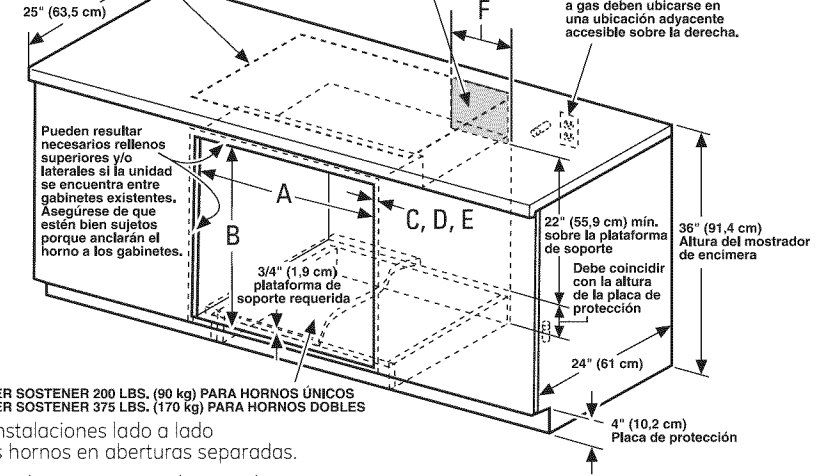
2 B ABERTURA PARA HORNOS ÚNICOS - BAJO EL MOSTRADOR DE ENCIMERA

NOTA: Estos hornos sólo pueden instalarse bajo los modelos específicos como se indica en la etiqueta de la unidad.

Pueden instalarse estufas a gas o eléctricas sobre este horno.
Ver las instrucciones de instalación de la estufa para el tamaño de la abertura.
Ver la etiqueta de la parte superior del horno para modelos aprobados.

Ubicación de la caja de conexiones de 240V/208V (la caja de conexiones puede hallarse en un gabinete adyacente)

Las conexiones de gas y eléctricas para estufas a gas deben ubicarse en una ubicación adyacente accesible sobre la derecha.



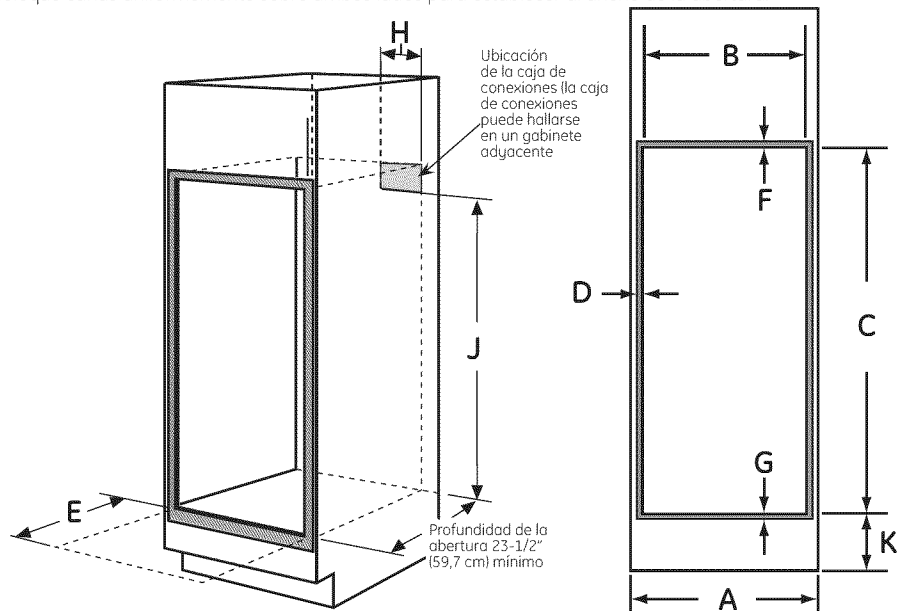
NOTA: Una estufa puede centrarse sobre cualquier horno en la instalación de lado a lado.

Dimensión	Descripción de la dimensión	Horno único de 27"	Horno único de 30"
A	Ancho del gabinete	25" (63,5 cm) mín. 25 1/4" (64,1 cm) máx.	28 1/2" (72,4 cm) mín. 28 3/8" (72,7 cm) máx.
B	Altura de la abertura	27 7/8" (70,2 cm) mín. 28 1/8" (71,4 cm) máx.	27 1/4" (69,2 cm) mín. 27 3/8" (69,4 cm) máx.
C	Superposición de la unidad en parte superior	1" (2,5 cm)	1" (2,5 cm) (1 1/4" (3,2 cm) para PT9050)
D	Superposición de la unidad en parte inferior	1" (2,5 cm)	1 1/4" (3,2 cm)
E	Superposición de la unidad en costados laterales	1" (2,5 cm)	1 1/8" (1,75 cm)
F	Ubicación de la caja de conexiones	8 3/4" (22,2 cm) máx. sólo lado derecho	9 1/2" (24,1 cm) máx. sólo lado derecho

Continúe en la sección 4.

2 C ABERTURA PARA HORNOS DOBLES (2 HORNOS TÉRMICOS)

NOTA: Si el gabinete no cuenta con un armazón frontal y los lados son menores a un grosor de 3/4" (1,9 cm), coloque cuñas uniformemente sobre ambos lados para establecer el ancho de la abertura.



Dim.	Descripción	Horno doble de 27"	Horno doble de 30" con pedestal	Horno doble de 30" sin pedestal
A	Ancho del gabinete	27" (68,6 cm)	30" (76,2 cm)	30" (76,2 cm)
B	Ancho de la abertura	25" (63,5 cm) min. 25 3/4" (64,1 cm) max.	28 1/2" (72,4 cm) min. 28 3/8" (72,7 cm) max.	28 1/2" (72,4 cm) min. 28 3/8" (72,7 cm) max.
C	Altura de la abertura	49 1/16" (126,2 cm) min. 50 3/8" (127,3 cm) max.	51 1/16" (131,6 cm) min. 51 1/16" (131,9 cm) max.	50 1/4" (127,64 cm)
D	Superposición del horno sobre los costados laterales de la abertura	1" (2,5 cm)	1 1/16" (1,75 cm)	1 1/16" (1,75 cm)
E	Espacio respecto de esquinas adyacentes, cajones paredes, etc., cuando la puerta está abierta	23" (50,8 cm) min.	23" (53,3 cm) min.	23" (53,3 cm) min.
F	Superposición de la parte superior del horno de la abertura	1" (2,5 cm) min.	1" (2,5 cm) min. (1 1/4" (3,2 cm) para PT9550)	1" (2,5 cm) min. (1 1/4" (3,2 cm) para PT9550)
G	Superposición de la parte inferior del horno de la abertura	1" (2,5 cm) min.	1 1/4" (3,2 cm)	1 1/4" (3,2 cm)
H	Ubicación de la caja de conexiones	8 3/4" (22,2 cm) max. sólo lado derecho	9 1/2" (24,1 cm) max. sólo lado derecho	9 1/2" (24,1 cm) max. sólo lado derecho
J	Altura hasta la parte inferior de la caja de conexiones	44" (111,8 cm)	47" (119,4 cm)	47" (119,4 cm)
K	Ubicación recomendada de la abertura desde el piso	13 3/4" (33,7 cm)	12" (30,5 cm)	12" (30,5 cm)

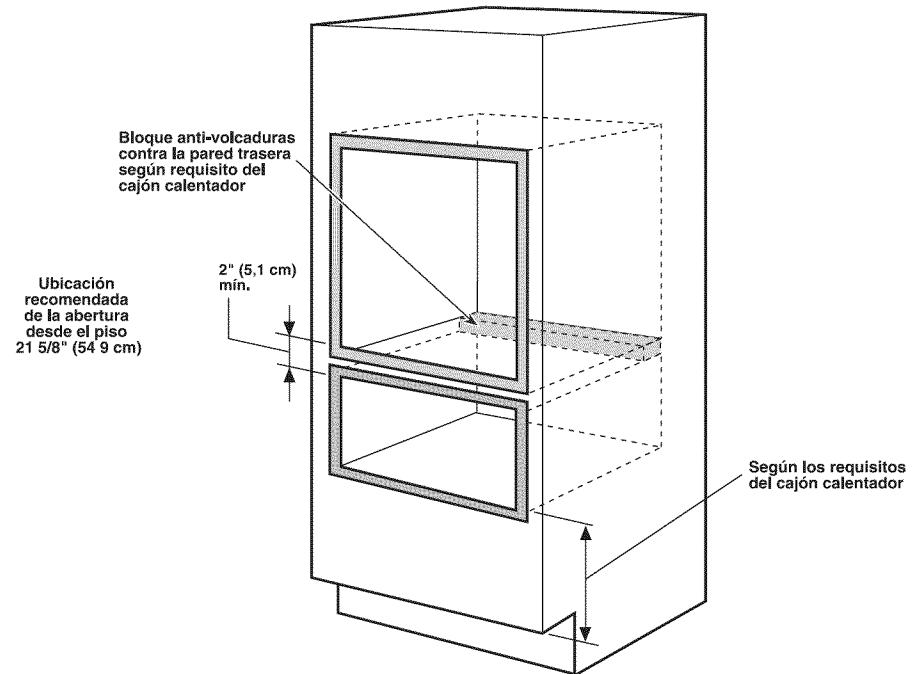
Continúe en la sección 3.

2 D ABERTURA PARA INSTALACIÓN SOBRE UN CAJÓN CALENTADOR

NOTA: Instale el horno sólo con los modelos específicos listados en la etiqueta ubicada en la parte superior del horno.

NOTA: Pueden necesitarse espacios adicionales entre las aberturas. Verifique que los soportes del horno sobre la ubicación de cajón calentador no obstruyan la profundidad y altura interiores requeridas.

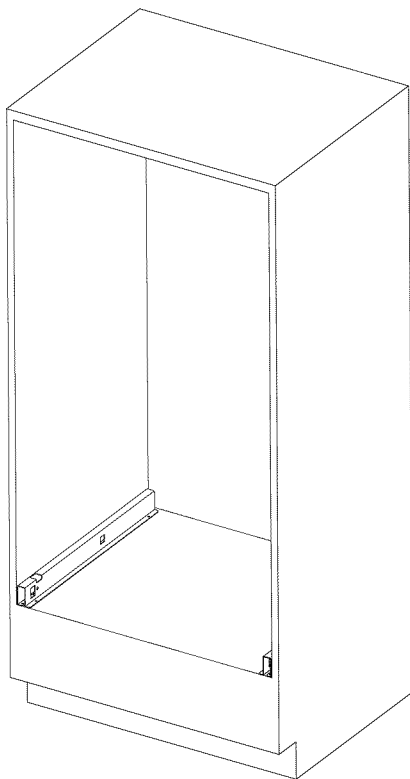
Cuando instale un cajón calentador debajo de un horno único o doble, debe instalarse un tomacorriente separado de 120V, 60 HZ con adecuada conexión a tierra. Consulte las instrucciones de instalación enviadas con el cajón calentador para requisitos específicos de instalación.



Continúe a la Sección 3 para conocer detalles del DWO con Pedestal. De otra forma, continúe a la Sección 4.

3 INSTALACIÓN DEL RIEL CON PEDESTAL (HORNOS DOBLES ÚNICAMENTE)

- A. Coloque un riel con pedestal en cada rodadura del gabinete o centrado en el lado opuesto de la parte inferior del gabinete sólido nivelado con el lateral de la abertura del gabinete. Ubique cada riel de modo que la parte frontal de los mismos se encuentre detrás del lado frontal de la abertura del gabinete.
- B. Realice agujeros de prueba y adjunte los rieles a la rodadura o a la parte inferior del gabinete con el equipo provisto.



4 REMOCIÓN DE LA PUERTA (recomendada)

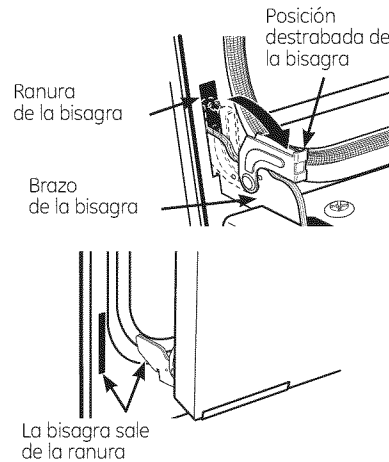
NOTA: La remoción de la puerta no es un requerimiento de la instalación del producto, pero es una comodidad adicional.

Para quitar la puerta:

A. Abra la puerta del horno en su totalidad.
 B. Presione ambas trabas de la bisagra hacia abajo en dirección del marco de la puerta hasta destrabarlas. Para esto puede hacer falta un destornillador de lados planos. **¡NO LEVANTE LA PUERTA DE LA MANIJA!**

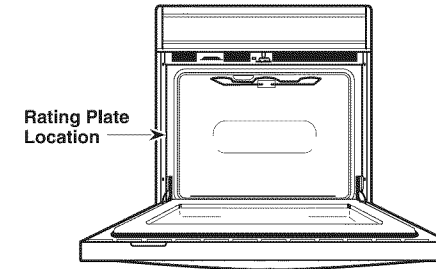
C. Coloque las manos sobre ambos lados y cierre la puerta del horno hasta la posición de remoción (aproximadamente 1"-2" [2,5 cm-5,1 cm] de la posición de cierre).

D. Levante la puerta hasta que los brazos de la bisagra hayan salido de las ranuras.
NOTA: La puerta del horno es muy pesada. Asegúrese de tener un agarre firme antes de levantar la puerta del horno de sus bisagras. Tenga cuidado una vez que haya quitado la puerta. No deposite la puerta sobre la manija. Esto puede provocar abolladuras o rayones.



5 REQUISITOS ELÉCTRICOS (CONT.)

Este aparato debe recibir el voltaje y frecuencia adecuados, y debe conectarse a un circuito derivado individual con adecuada conexión a tierra, protegido por un interruptor de circuitos o fusible. Ver la placa de clasificación ubicada en el armazón del horno para determinar la clasificación del producto.



La placa de clasificación se encuentra en el reborde lateral del horno.

Utilice la tabla de abajo para determinar la protección de circuito dedicado mínima recomendada:

Clasificación de KW 240V	Clasificación de KW 208V	Tamaño de circuito recomendado (dedicado)
≤4,8 KW	≤4,1 KW	20 Amp
4,9 KW-7,2 KW	4,2 KW-6,2 KW	30 Amp
7,3 KW-9,6 KW	6,3 KW-8,3 KW	40 Amp
9,7 KW-12,0 KW	8,4 KW-10,4 KW	50 Amp

NO corte el conducto flexible. La abrazadera del alivio de tensión del conducto debe estar bien sujeta a la caja de conexiones y el conducto flexible debe estar bien sujeto a la abrazadera. Si el conducto flexible no entra dentro de la abrazadera, no instale el horno hasta obtener una abrazadera del tamaño adecuado.

Los 3 cables de energía suministrados con este aparato son adecuados para conexiones con cableados domésticos de calibre mayores. La aislación de estos 3 cables está clasificada a temperaturas mucho más elevadas que la clasificación del cableado doméstico. La capacidad de transmitir corriente del conductor está determinada por el calibre del cable y la clasificación de temperatura de la aislación alrededor del cable.

5 REQUISITOS ELÉCTRICOS

⚠ ADVERTENCIA: Este aparato debe contar con una adecuada conexión a tierra.

⚠ ADVERTENCIA: Para prevenir un incendio o descarga eléctrica, no utilice un cable de extensión con este aparato.

⚠ ADVERTENCIA: Para prevenir una descarga eléctrica, quite el fusible o abra el interruptor de circuitos antes de comenzar la instalación.

⚠ ADVERTENCIA: Una conexión inadecuada de cableado doméstico de aluminio con cables de cobre puede generar un peligro eléctrico o un incendio. Sólo use conectores diseñados para unir cobre con aluminio y siga al pie de la letra el procedimiento recomendado del fabricante.

Recomendamos que un electricista calificado conecte el cableado eléctrico de su aparato. Después de la instalación, solicite al electricista que le indique cómo desconectar la energía del aparato.

Usted debe usar un sistema eléctrico de fase única de 120/208 VAC o 120/240 VAC de 60 hercios. Si tiene una conexión con cableado de aluminio, deben utilizarse conectores adecuadamente instalados para utilizar con cableado de aluminio.

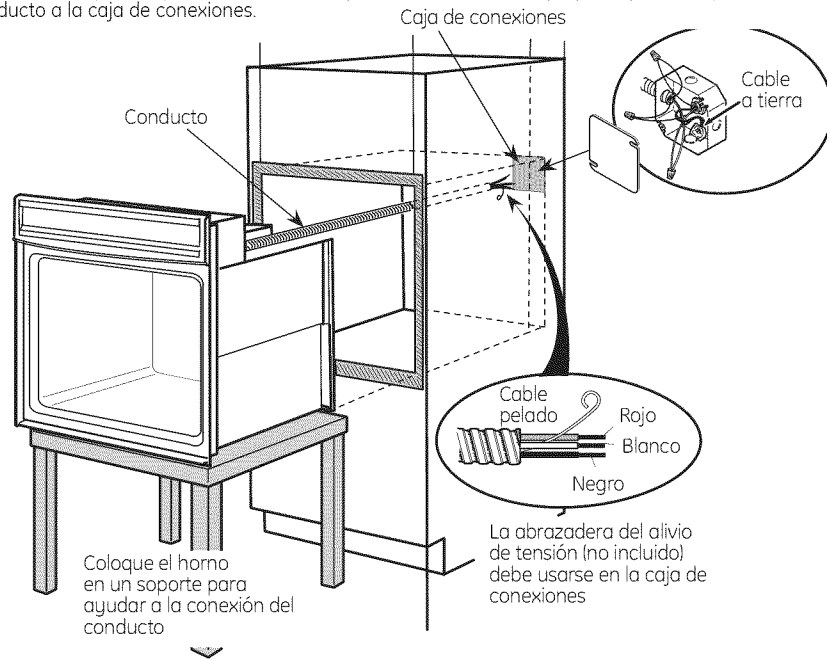
Vigente desde el 1 de enero de 1996, el Código Eléctrico Nacional requiere que las nuevas construcciones (no existentes) utilicen una conexión de cuatro conductores a un horno eléctrico. Cuando instale un horno eléctrico en una construcción nueva, una casa rodante, un vehículo recreativo o un área donde los códigos locales prohíben la conexión a tierra a través de un conductor neutral, consulte la sección sobre conexiones en circuito derivado de cuatro conductores.

Consulte a las empresas de servicio público sobre los códigos eléctricos que se aplican en su área. No realizar el cableado de su horno de acuerdo con los códigos vigentes puede provocar una situación peligrosa. Si no existen códigos locales, el cableado y fusibles de su horno deben cumplir con el Código Eléctrico Nacional, NFPA N° 70, última edición, disponible en National Fire Protection Association (Asociación Nacional de Protección contra Incendios).

6 REALICE LAS CONEXIONES ELÉCTRICAS

⚠ ADVERTENCIA: Desconecte la energía del panel de servicio y bloquee los medios de desconexión para evitar el accionamiento de la energía de manera accidental. Cuando los medios de desconexión de servicio no pueden bloquearse, coloque sobre el panel de servicio un dispositivo de advertencia bien visible, como una etiqueta.

Coloque el horno sobre una mesa o plataforma en forma nivelada con la abertura. Para un horno único, la plataforma debe soportar 200 lbs. (91 kg); para un horno doble, la plataforma debe soportar 375 lbs. (170 kg). Conecte el conducto flexible a la caja de conexiones eléctrica como se indica abajo*. Posicione el conducto de modo tal que se apoye detrás de la unidad en un círculo natural cuando el horno sea instalado. Tendrá que comprar una abrazadera para alivio de tensión apropiada para completar la conexión del conducto a la caja de conexiones.



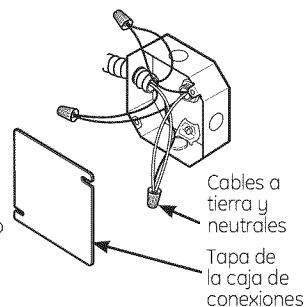
*Los hornos vienen equipados con un conducto de 40" de longitud. Si desea un conducto más largo, puede haber uno disponible para su modelo. Para verificar la disponibilidad o solicitar piezas, llame al 1.800.GE.CARES.

7 CONEXIÓN DE CIRCUITO DERIVADO DE TRES CONDUCTORES

NOTA: Si los cables domésticos son conductores de aluminio, ver la ADVERTENCIA de la sección 5, Requisitos eléctricos.

Cuando conecte un circuito derivado de tres conductores, si lo permiten los códigos locales:

- Conecte el conductor a tierra del horno con el cable neutral (blanco) en rizo al neutral del circuito derivado (blanco o gris) utilizando un tapón de alambre.
- Conecte el cable rojo del horno al cable rojo del circuito derivado y el cable negro del horno al cable negro del circuito derivado de acuerdo con los códigos locales, utilizando tapones de alambre.
- Instale la tapa de la caja de conexiones.

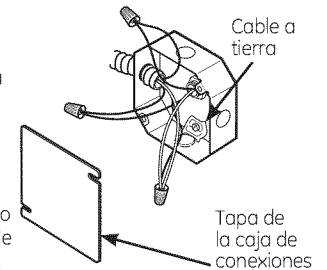


8 CONEXIÓN DE CIRCUITO DERIVADO DE CUATRO CONDUCTORES

NOTA: Si los cables domésticos son conductores de aluminio, ver la ADVERTENCIA de la sección 5, Requisitos eléctricos.

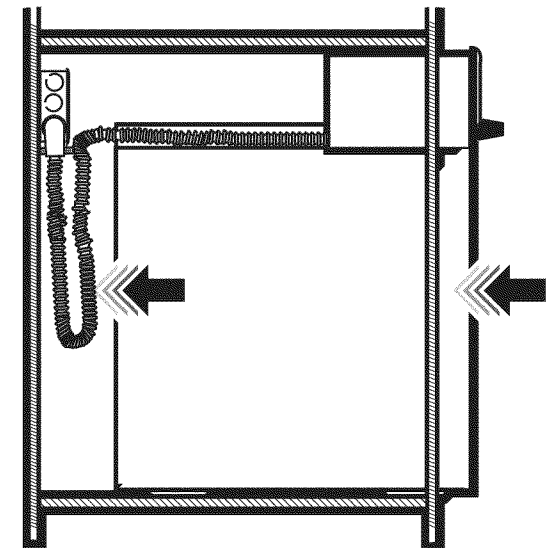
- Corte el cable neutral (blanco) del conector de engarce. Pele el cable neutral (blanco) para exponer la longitud correcta del conductor.
- Conecte el cable a tierra del artefacto (verde o cobre) de acuerdo con los códigos locales. Si el conductor a tierra de la residencia es de aluminio, ver ADVERTENCIA de la sección 5.
- Conecte el cable neutral (blanco) del horno con el neutral de circuito derivado (blanco o gris) de acuerdo con códigos locales, utilizando un tapón de alambre.
- Conecte el cable rojo del horno al cable rojo del circuito derivado y el cable negro del horno al cable negro del circuito derivado de acuerdo con los códigos locales, utilizando tapones de alambre.

NOTA: Si los cables rojos, negros o blancos son conductores de aluminio, ver ADVERTENCIA de la sección 5.
E. Instale la tapa de la caja de conexiones.



9 DESLICE EL HORNO DENTRO DE LA ABERTURA

- Levante el horno dentro de la abertura del gabinete utilizando el horno abierto como agarre. Con cuidado empuje contra el armazón frontal del horno. No presione sobre los bordes externos.



10 INSTALE EL HORNO

⚠ ADVERTENCIA:

Deben utilizarse tornillos de montaje. Si no lo hace, el horno puede caer del gabinete, lo que provocaría una lesión grave.

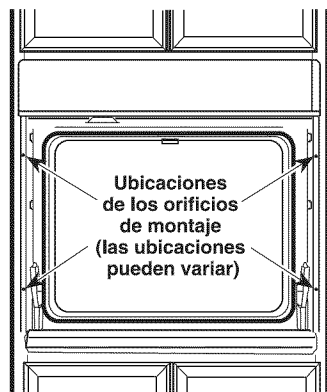
NOTA: Durante el montaje del horno, asegúrese de que no haya daños sobre la junta del horno, que alinea el extremo de la cavidad del horno

NOTA: Antes de perforar los orificios piloto, asegúrese de que el horno se encuentre en la posición final de la abertura y centrado.

NOTA: Si el gabinete es de placa de partículas, deben utilizarse tornillos #8 x 3/4" para dicho material. Éstos pueden adquirirse en cualquier ferretería.

A. Perfore a través de los orificios de montaje (superiores e inferiores) del reborde lateral para los tornillos de montaje #8 provistos.

B. Asegure el gabinete del horno con los tornillos provistos.

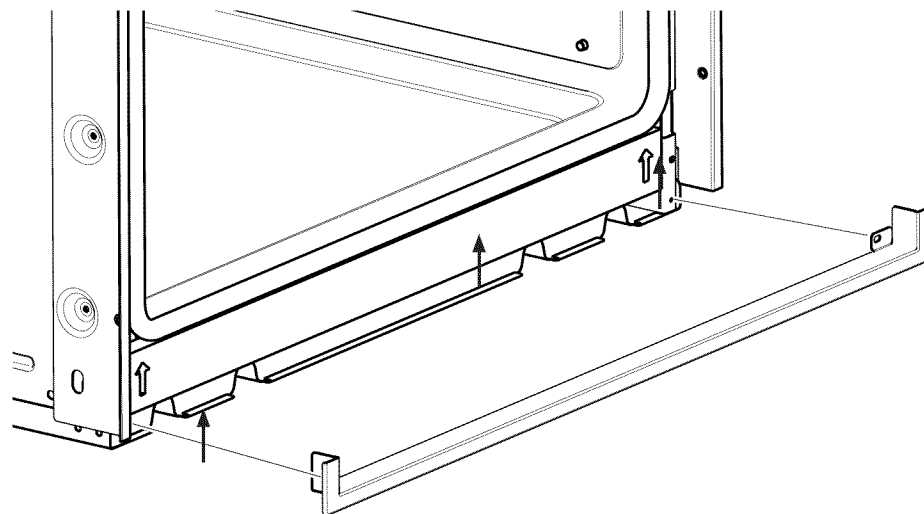


Los tornillos deben hallarse a un mínimo de 1/4" (6 mm) desde el frente de la abertura.

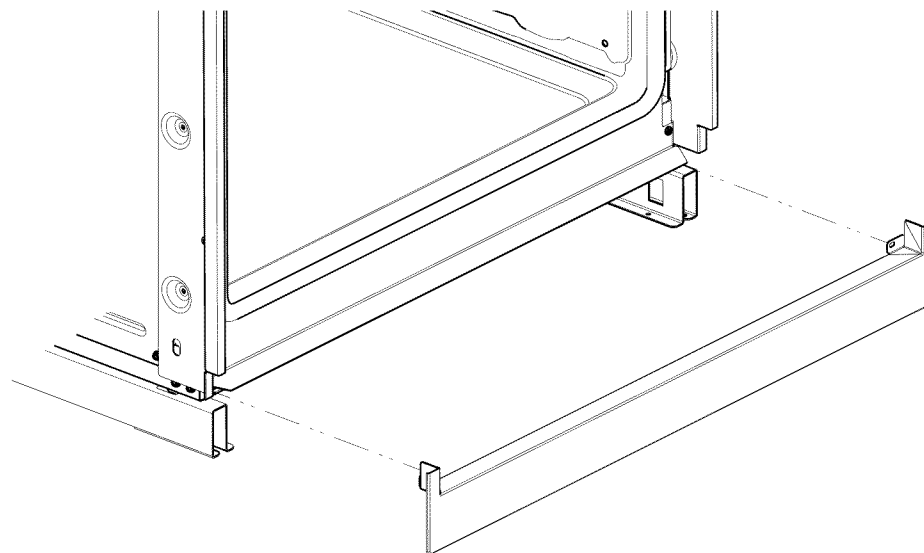
11 INSTALACIÓN DEL REBORDE INFERIOR

- Una vez instalado el horno, adjunte el borde inferior a través de sus agujeros de montaje frente al soporte vertical, utilizando los dos tornillos con cabeza recortada provistos. El labio de la cubierta inferior deberá ser ubicado debajo de la brida de la parte inferior del conducto de aire.

Instalaciones SWO y DWO sin pedestal



DWO sin pedestales



IMPORTANTE: Si esta unidad alguna vez se quita del gabinete o si el horno se quita de servicio, el reborde inferior debe quitarse antes o el reborde sufrirá daños.

12 GUÍA DE INSTALACIÓN DE LA ESTANTERÍA DEL HORNO (SI CORRESPONDE)

- Ubique el equipo de montaje de la guía del horno incluida.
- Posicione el conducto de modo tal que se apoye detrás de la unidad en un círculo natural cuando el horno sea instalado.
- Instale las guías usando las 8 tuercas de montaje provistas.

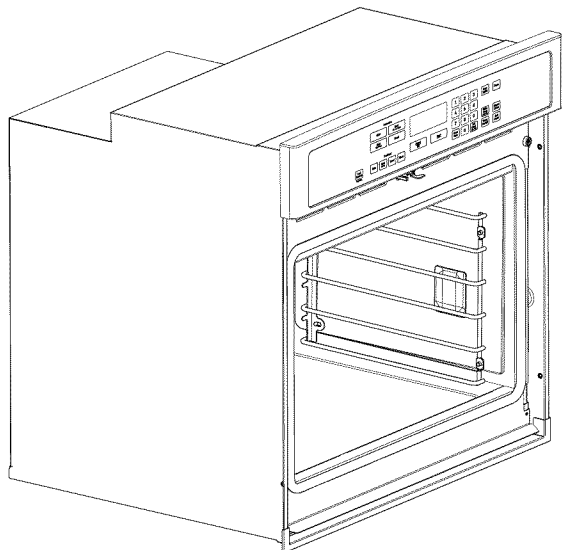
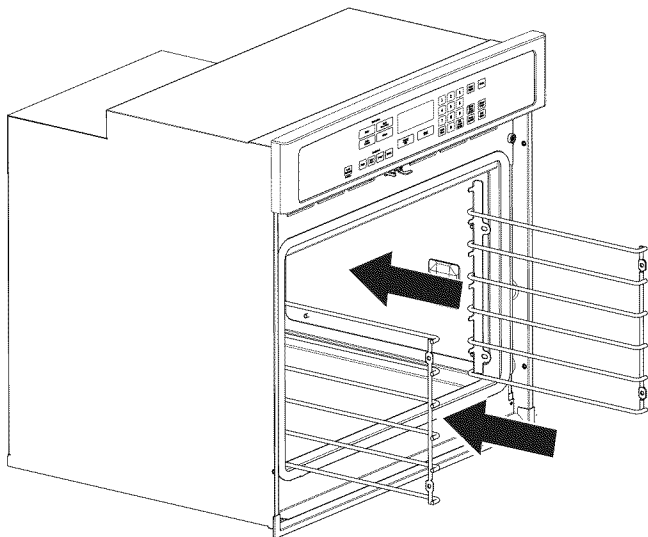
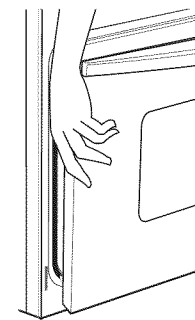


Imagen de la guía de la estantería en su lugar correspondiente.

13 CÓMO VOLVER A COLOCAR LA PUERTA DEL HORNO

NOTA: La puerta del horno es pesada. Puede necesitar ayuda para levantar la puerta lo suficiente como para deslizarla dentro de las ranuras de la bisagra. No levante la puerta de la manija.

- Levante la puerta del horno tomándola de ambos lados.
- Con la puerta en el mismo ángulo de la posición de remoción (aproximadamente 1"-2" [2,5 cm-5,1 cm] desde la posición de cerrado), introduzca la muesca del brazo de la bisagra dentro del extremo inferior de la ranura de la bisagra. La ranura del brazo de la bisagra debe estar bien colocada en la parte inferior de la ranura.
- Abra la puerta por completo. Si la puerta no se abre por completo, la muesca no está bien colocada en el extremo inferior de la ranura.
- Presione las trabas de la bisagra hacia arriba contra el armazón frontal de la cavidad del horno, hasta alcanzar la posición de trabado.
- Cierre la puerta del horno.



14 LISTA DE CONTROL FINAL DE LA INSTALACIÓN

- Verifique que el interruptor de circuitos se encuentre cerrado (RESET) o que los fusibles del circuito se hayan reemplazado.
- Asegúrese de que haya suministro eléctrico en el edificio.
- Controle que se haya quitado todo el material de empaque y la cinta adhesiva. No quitar estos materiales puede provocar daños al electrodoméstico una vez que el aparato se haya encendido y las superficies se hayan calentado.
- Quite todos los elementos ubicados dentro del horno.
- Asegúrese de que los tornillos de montaje se encuentren instalados y nivelados con el reborde lateral (ver sección 10).
- Verifique que el reborde inferior esté bien instalado (ver sección 11).
- Asegúrese de que la abertura inferior del conducto de aire de la unidad esté libre de obstrucciones.
- Controle que las guías de los estantes del horno (si corresponde) estén instaladas de forma correcta y que los estantes del horno funcionen de forma fluida.

LISTA DE CONTROL DE FUNCIONAMIENTO

- Accione la energía del horno (consulte el Manual del propietario). Verifique que las unidades de horneado y asado y que todas las funciones de cocción operen bien.
- Ver el Manual del propietario para la lista de detección y solución de problemas.
- Asegúrese de que todos los controles del horno se encuentren en OFF (apagado) antes de dejar el horno.