

# LIMITED LIFETIME WARRANTY

---

*To obtain Service, please contact or call Patriot Lighting Service Department:  
1-800-267-4427, 8am to 5pm Eastern Time.*

---

Model No.: # 355-0739

The limited lifetime warranty covers this ceiling fan, for residential use by the original purchaser, against defects in material or workmanship as follows:

If your Patriot Lighting Ceiling Fan motor fails at any time during the lifetime of the original purchaser due to defects in material or workmanship, we will provide a replacement part free of charge.

If your Fan motor fails at any time within one year after the original date of sale to the original purchaser due to defects in material or workmanship, we will provide labor to repair the defect, with the exception of take down/reinstallation, free of charge. The original purchaser will be responsible for all labor costs after this one year period.

If no replacement parts are provided for any part of your Fan motor that fails at any time during your lifetime due to defects in material or workmanship, we will refund the original purchase price of your Fan.

If your Fan blades, remote controller / pull chain switch, reverse switch, or any accessory, except glass globes and light bulbs, fails at any time within one year after the original date of purchase due to a defect in material and workmanship, we will repair or, if we choose, replace the defective blades, switch, or accessory free of charge, with the exception of take down/reinstallation services.

If the original purchaser ceases to own the Fan, this warranty and any implied warranty, including but not limited to any implied warranty of merchantability or fitness for a particular purpose, become void. This warranty and any implied warranty, including but not limited to any implied warranty of merchantability or fitness for a particular purpose, do not cover glass globes, light bulbs, or finish on any metal portions of the Fan.

This warranty is in lieu of express warranties. The duration of any implied warranty of merchantability or fitness for a particular purpose, with respect to any Patriot Lighting Ceiling Fan motor, blades, switch, or accessories, is expressly limited to the period of the express warranty set forth above for such motor, blades, switch, or accessories.

This warranty excludes defects, malfunctions, or failures of any Patriot Lighting Fan that are caused by repairs by persons not authorized by us, use of parts or accessories not authorized by us, mishandling, improper installation, modifications or damage to the Fan while in your possession, or unreasonable use, including failure to provide necessary maintenance.

To obtain service, contact Patriot Lighting Service Department at 1-800-887-6326, 9AM-5PM CST. You will be responsible for all insurance and freight or other transportation charges to our factory or service center. A copy of sales receipt is required in order to obtain service. We will return your Fan freight prepaid. Your Fan should be properly packed to avoid damage in transit, for we will not be responsible for any such damages.

In no event shall Patriot Lighting Fan be liable for consequential or incidental damages.

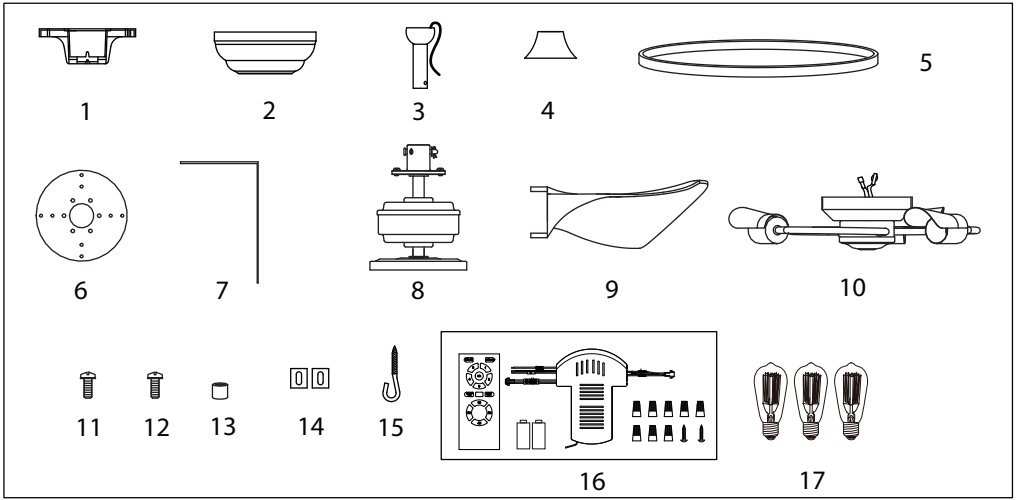
Some states do not allow the exclusion or limitation of consequential or incidental damages, in which case the above limitation or exclusion may not apply.

This warranty gives you specific legal rights and you may also have other rights which vary from state to state.

Patriot  
LIGHTING.

08-21

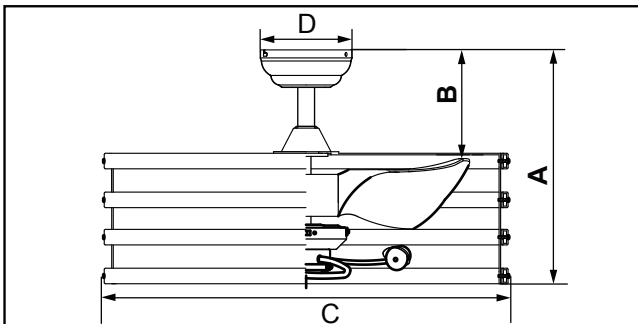
## Package Contents:



Unpack your fan and check the contents. You should have the following items:

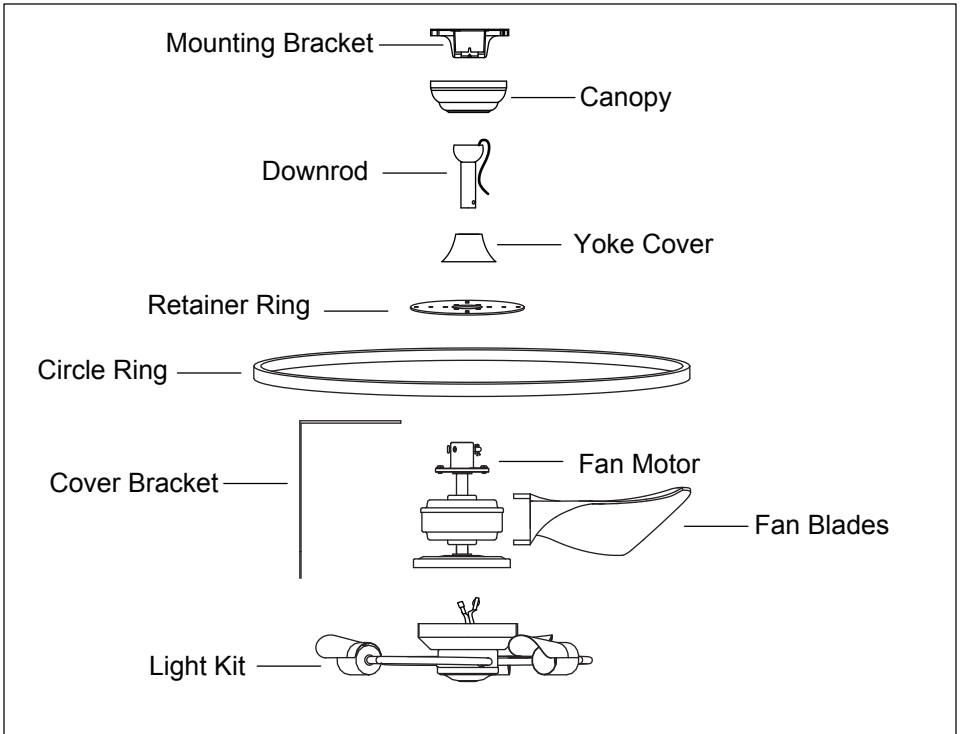
- |  |  |
|--|--|
| 1.) Mounting Bracket   | 12.) Circle Ring Screws (16 pcs)   |
| 2.) Canopy   | 13.) Circle Ring Nut (16 pcs)  |
| 3.) Downrod Assembly (Includes:<br>Hemisphere, 4" Downrod, Hanger Pin<br>& Lock Pin) | 14.) Rubber Gasket   |
| 4.) Yoke Cover   | 15.) J-Hook  |
| 5.) Circle Ring (4 pcs)  | 16.) Remote Control (Includes: Transmitter,<br>Receiver, wire nuts, screws &<br>Batteries) |
| 6.) Retainer Ring  | 17.) Bulbs   |
| 7.) Cover Bracket (4 pcs)  |  |
| 8.) Fan Motor  |  |
| 9.) Fan Blades (3 pcs)   |  |
| 10.) Light Kit   |  |
| 11.) Cover Bracket Screws (8 pcs)  |  |

## Dimension Reference (Installed with 4" Downrod):



A. 14 3/4 in. B. 6 7/8 in. C. 25 3/4 in. D. 6 13/16 in.

# Exploded View Detail



INSTRUCTIONS PERTAINING TO RISK OF FIRE OR INJURY TO PERSONS  
READ ALL INSTRUCTIONS



## IMPORTANT SAFETY INSTRUCTIONS

### SAVE THESE INSTRUCTIONS

INSTALLATION AND WIRING TO BE IN ACCORDANCE WITH CEC,  
NEC, LOCAL ELECTRICAL CODES and ANSI/NFPA 70.

Consult a qualified electrician if you are not familiar with wiring.

### **TOOLS AND MATERIALS REQUIRED**

- Phillips Screwdriver
- Blade Screwdriver
- Wiring supplies as required by electrical code.
- Step Ladder
- Wire Cutters



NOTE: FOR OPTIMUM QUIETNESS, FULLY ASSEMBLE FAN AND RUN 24 HOURS



## IMPORTANT SAFETY INSTRUCTIONS

1. Turn off power at main electrical service box before starting installation.
2. Electrical connections must comply with local code ordinances, national electrical codes, CEC, NEC and ANSI/NFPA 70.
3. Make sure the installation site you choose allows the fan blades to rotate freely without any obstructions.
4. When mounting the fan on a ceiling outlet box, use an approved (CSA for Canada and UL for U.S.) ceiling fan box marked "FOR FAN SUPPORT". Ensure the outlet box is securely installed in place such that it is able to support at least the fan weight.
5. Total Fan Weight For Reference: 24" approximate 9.3 kgs (20.51 lbs).

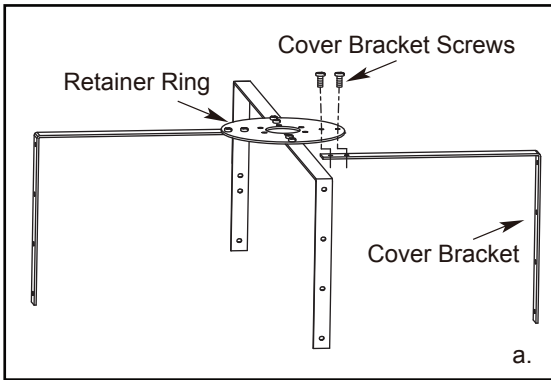


## WARNING

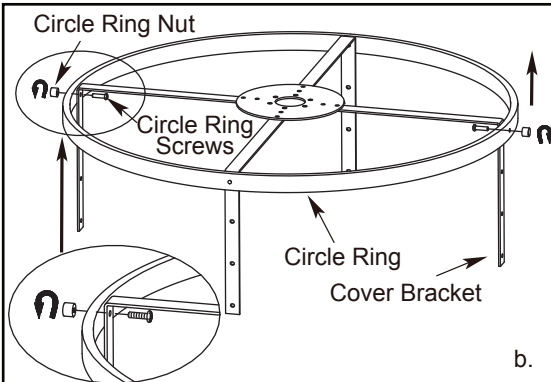
1. To reduce the risk of fire or electrical shock, ONLY use model DCQ015 remote control for optional remote control adaptability.
2. **WARNING: RISK OF FIRE, ELECTRIC SHOCK, OR PERSONAL INJURY. THE FAN IN THIS BOX MAY BE EITHER DIRECTLY SUPPORTED FROM A STRUCTURAL FRAMING MEMBER OF A BUILDING AND/OR MAY BE MOUNTED TO AN OUTLET BOX MARKED ACCEPTABLE FOR FAN SUPPORT OF 35 LBS (15.9 KG) OR LESS.** Most outlet boxes commonly used for the support of luminaires may not be acceptable for fan support and may need to be replaced. Consult a qualified electrician if in doubt.
3. Mount with the lowest moving parts at least 2.10 Meters (7 Feet) above floor or grade level.

# ASSEMBLY INSTRUCTIONS

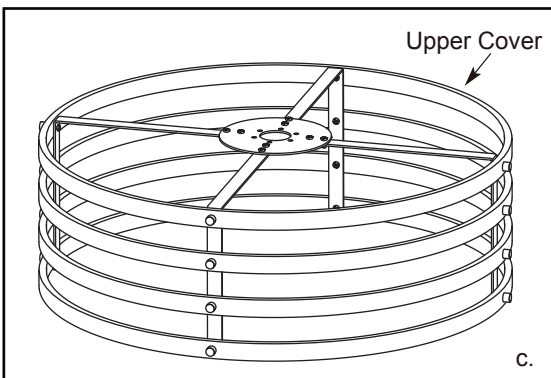
## 1. ATTACH THE FAN UPPER COVER



- Attach the cover bracket to retainer ring using 2 cover bracket screws as shown. (Hand tighten)
- Repeat the above for 2nd, 3rd and 4th cover bracket.



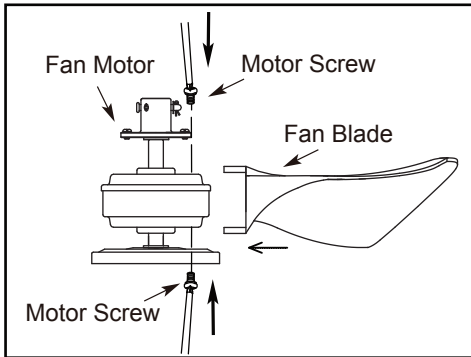
- Attach the 4 circle rings to the cover bracket from top to bottom using circle ring screws and circle ring nuts as shown. (Hand tighten)



- When completely assembled adjust the shape and tighten all screws and nuts.

# ASSEMBLY INSTRUCTIONS (continued)

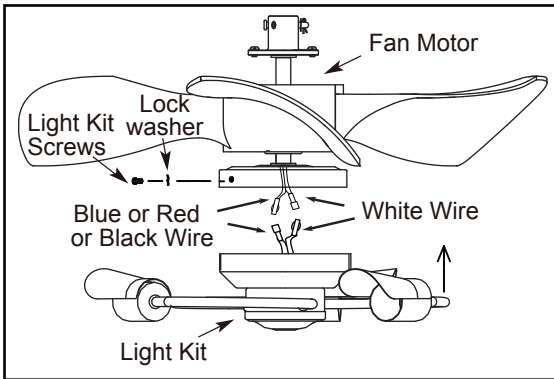
## 2. ATTACH THE FAN BLADES



- Attach the fan blades to the fan motor assembly using the pre-installed screws.

**NOTE: All set screws must be checked and retightened where necessary, before and after installation.**

## 3. LIGHT KIT



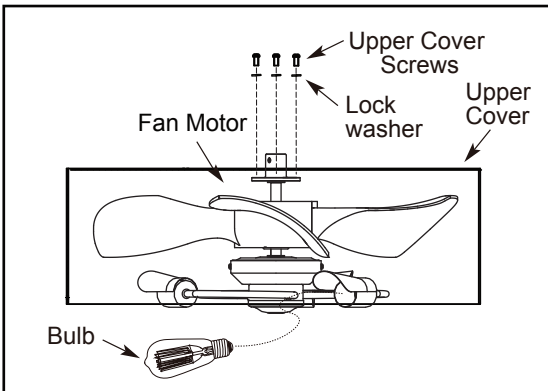
### DETACHABLE LIGHT KIT

- Remove light kit screws and washers.
- Connect polarized connectors from light kit to corresponding connectors found in switch housing.

**WARNING: BE SURE TO TURN OFF POWER BEFORE INSTALLING.**

- Carefully tuck electrical wires back into switch housing, align light kit with switch housing and secure with three light kit screws and washers.
- Remove the 6 pre-installed screws from the yoke.
- Place the fan motor cover on top of the yoke. Then place the fan upper cover on top of the fan motor cover while feeding the fan motor wires through both.
- Re-install the 6 upper cover screws
- Install specified bulb type and wattage.
- Remove the 4 pre-installed screws & star washers from the fan lower cover. Align the holes on the fan upper cover with the holes on the fan lower cover and reinstall the 4 screws & star washers.

## 4. FAN COVER ASSEMBLY

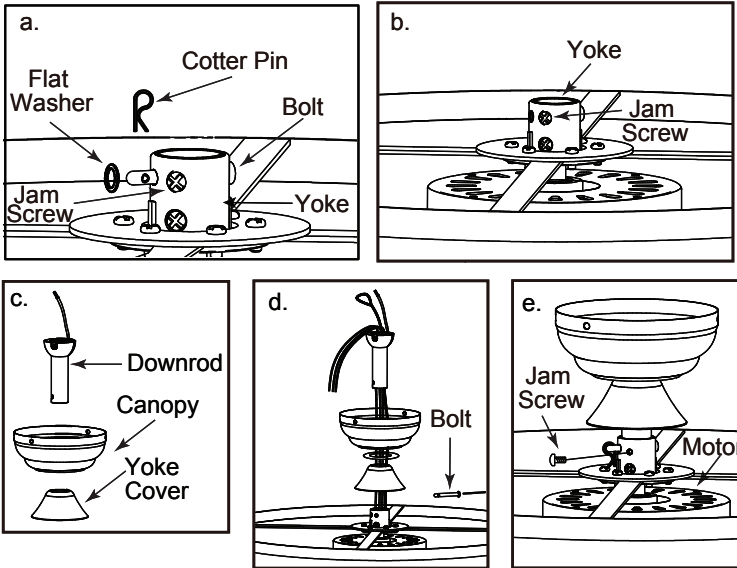


**WARNING: To reduce the risk of injury to persons, ensure the fan lower cover is securely attached on the fan upper cover before use.**

# ASSEMBLY INSTRUCTIONS (continued)

## 5. MOUNTING

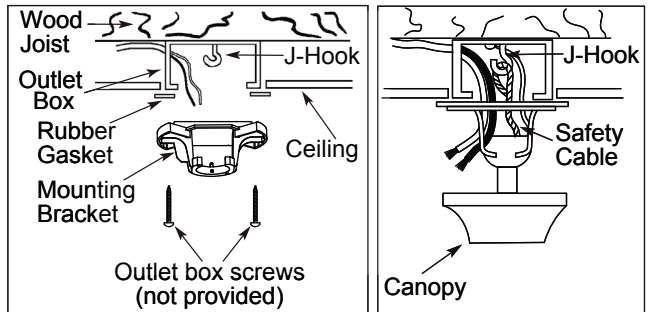
- Separate mounting bracket from canopy by removing screws.
- Remove cotter pin and bolt from yoke.
- Loosen the jam screws in the yoke until they are flush with the inside surface of the yoke.
- Obtain downrod, canopy and yoke cover.
- Place downrod through the canopy and yoke cover.
- Route wires exiting motor through yoke cover, canopy and downrod, insert downrod into yoke.
- Insert bolt through hole in shaft and downrod. Be careful not to damage or cut the fan wires.
- Place flat washer on the end of the bolt. Secure with cotter pin through hole in the end of the bolt.
- Secure downrod in position by tightening jam screws. Slide yoke cover down so it is flush with the upper cover.



## 6. INSTALL MOUNTING BRACKET

**WARNING:** To Reduce The Risk Of Fire, Electric Shock, Or Personal Injury, Mount To UL/CSA Listed Outlet Box Marked Acceptable For Fan Support And Use Mounting Screws Provided With The Outlet Box.

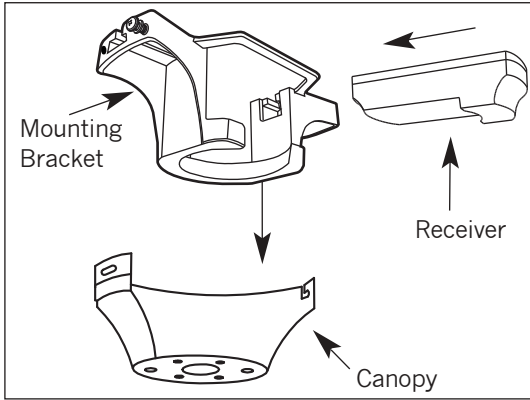
- Install J-Hook through center of outlet box and into the wooden joist.
- Attach rubber gaskets to mounting bracket and then secure to outlet box.
- Hang the safety cable from the fan motor onto the J-hook.





## ASSEMBLY INSTRUCTIONS (continued)

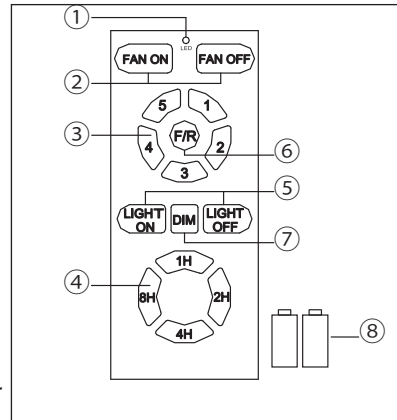
- C** - Push all connected wires up into ceiling box.
- Position the receiver into the canopy as shown direction.



- When installing the canopy, ensure the antenna is not pressed by the canopy.

## D FUNCTION INSTRUCTION OF TRANSMITTER

- Learning code and matching mode is used between transmitter and receiver.
- Turn "ON" the supply power. Within 30 seconds, press "FAN ON" button on the transmitter for 5 seconds. Transmitter and receiver are connected after hearing a long "beep".
- If the transmitter cannot control the fan, check to ensure all wiring connections are properly connected according to the instruction manual. Check to ensure the batteries are in the right position. Check whether there are any similar remote controls in use nearby. Check whether they work with the same frequency.
- Low voltage of battery will affect the sensitivity of the transmitter. The indicator light will flash when battery voltage is low. Replace the batteries for better performance.
- Take out the batteries from the transmitter when leaving unused for long periods of time.

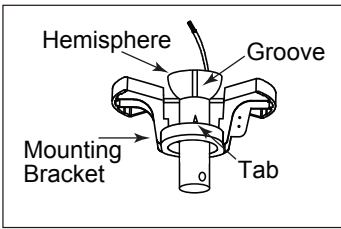


### **REMOTE CONTROL**

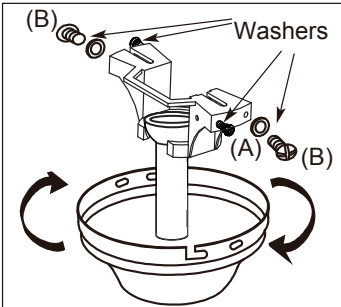
- ① LED indicated light
- ② ON/OFF the fan
- ③ Speed of the fan (①low speed - ⑤high speed)
- ④ Timing control of the fan
- ⑤ Short press: ON/OFF the light
- ⑥ Direction of the fan (reverse switch)
- ⑦ Long press(hold for 3 seconds): Dimming
- ⑧ Two 1.5V AAA Batteries

## ASSEMBLY INSTRUCTIONS (continued)

### 8 MOUNTING FAN ASSEMBLY



- Carefully rotate fan assembly until groove in hemisphere locks over tab of canopy assembly.



- Place two screws and washers on mounting bracket (marked B on diagram) which correspond with slots in canopy. Screw in two turns.
- Position canopy to mounting bracket aligning slots to screws (marked B on diagram) then turn to lock.
- Position and tighten the two screws and washers (marked A on diagram) then insert the remaining two screws and tighten (marked B on diagram).

**NOTE:** When installing fan on sloped ceiling, make sure tab on hanger bracket faces towards the top of the slope. Depending on the slope, a longer downrod may be required to prevent fan blades from hitting the ceiling.

**WARNING:** Failure to seat tab in groove could cause damage to electrical wires and possible shock or fire hazard.

**WARNING:** Ensure that all connections, set screws and screws are securely tightened.

# CARE AND MAINTENANCE

To clean the fixture, turn off the power, wait for it to cool, and wipe the fixture with a clean, soft cloth.

## TROUBLESHOOTING

### TROUBLE

### SUGGESTIONS

- | TROUBLE                               | SUGGESTIONS  |
|---------------------------------------|--|
| 1. Fan will not start                 | <ul style="list-style-type: none"><li>- Check wiring connections to fan.</li><li>- Check fuses and circuit breakers.</li><li>- Check wiring connections in switch housing.</li></ul> <p>CAUTION: Turn power off for last two items.</p>  |
| 2. Fan sounds noisy                   | <ul style="list-style-type: none"><li>- Check to make sure that all screws in motor housing are snug.</li><li>- Check to make sure that blade bracket screws are tight.</li><li>- Check to make sure that wire nuts in switch housing are not rattling against wall of switch housing.</li><li>- If fan has a light kit make sure switch housing screws and set screws are tight.</li><li>- Some fan motors are sensitive to signals from solid state variable controls. If solid state controller is used, change to an alternative control. (See a representative for a list of available controls.)</li><li>- Allow a 24 hour break in period to eliminate most noises.</li></ul>   |
| 3. Fan wobbles or shakes excessively. | <ul style="list-style-type: none"><li>- Check that all blades are screwed firmly into blade brackets.</li><li>- Check that blade brackets are secured firmly to motor.</li><li>- Check distance from tip of blades to ceiling.</li><li>- Check distance between blade tip to blade tip. All measurements should be equal. Loosen blade screws and position blade until even then re-tighten.</li><li>- Check that the downrod hemisphere notch is engaged in canopy.</li><li>- Check to make sure that jam screws in downrod are tightened.</li><li>- Make sure canopy and mounting bracket are tightened securely to wooden joist.</li><li>- Make sure warpage has not occurred in wooden blades. If so, contact the customer service department for replacement parts.</li></ul> |

**Supplier's Declaration of Conformity**  
**47 CFR § 2.1077 Compliance Information**

Unique Identifier: PATRIOT

Responsible Party

CanarmInc.

709 East Main Street, Teutopolis, Illinois, USA 62467

1.800.267.4427

This equipment has been tested and found to comply with the limits for a Class B digital device, pursuant to Part 15 of the FCC Rules. These limits are designed to provide reasonable protection against harmful interference in a residential installation. This equipment generates, uses and can radiate radio frequency energy and, if not installed and used in accordance with the instructions, may cause harmful interference to radio communications. However, there is no guarantee that interference will not occur in a particular installation. If this equipment does cause harmful interference to radio or television reception, which can be determined by turning the equipment off and on, the user is encouraged to try to correct the interference by one or more of the following measures:

- Reorient or relocate the receiving antenna.
- Increase the separation between the equipment and receiver.
- Connect the equipment into an outlet on a circuit different from that to which the receiver is connected.
- Consult the dealer or an experienced radio/TV technician for help.

**CAUTION:**

Any changes or modifications not expressly approved by the grantee of this device could void the user's authority to operate the equipment. This device complies with Part 15 of the FCC Rules. Operation is subject to the following two conditions: (1) This device may not cause harmful interference, and (2) this device must accept any interference received, including interference that may cause undesired operation.

---

This device contains licence-exempt transmitter(s)/receiver(s) that comply with Innovation, Science and Economic Development Canada's licence-exempt RSS(s). Operation is subject to the following two conditions:

1. This device may not cause interference.
2. This device must accept any interference, including interference that may cause undesired operation of the device.