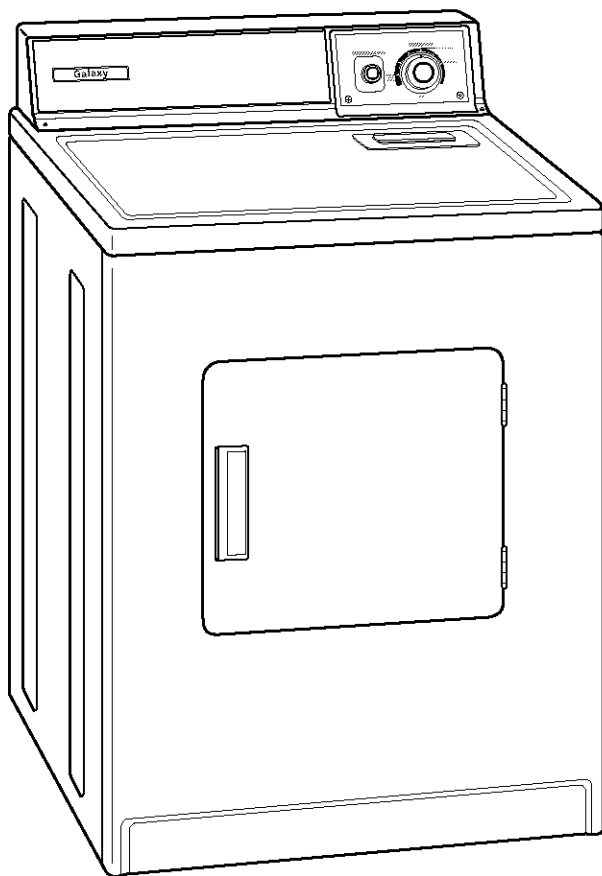


# Owner's Manual and Installation Instructions

# Galaxy™

## 29-Inch Wide ELECTRIC DRYERS



### **IMPORTANT:**

Read and follow all safety and operating instructions before first use of this product.

**Sears, Roebuck and Co., Hoffman Estates, IL 60179 U.S.A.**

# TABLE OF CONTENTS

BEFORE USING YOUR NEW DRYER .....	2
GALAXY™ ELECTRIC DRYER WARRANTY .....	3
DRYER SAFETY .....	4
INSTALLATION INSTRUCTIONS .....	5
OPERATING YOUR DRYER .....	28
CARING FOR YOUR DRYER .....	30
TROUBLESHOOTING .....	33
SEARS MAINTENANCE AGREEMENT .....	35

## BEFORE USING YOUR NEW DRYER

Please read this manual. It will help you install and operate your new Galaxy™ electric dryer in the safest and most economical way.

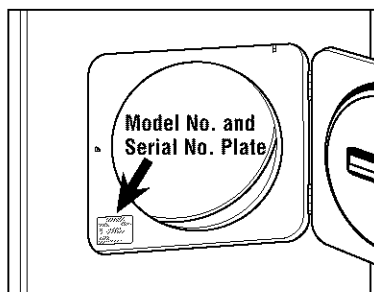
If you need more information about the care and operation of Galaxy™ appliances call your nearest Sears store. You will need the complete model and serial numbers when requesting information. Your dryer's model and serial numbers are located on the Model and Serial Number Plate.

Use the space below to record the model number and serial number of your new Galaxy™ electric dryer.

Model No. \_\_\_\_\_

Serial No. \_\_\_\_\_

Date of Purchase \_\_\_\_\_



Keep this book and your Sears Salescheck (receipt) in a safe place for future reference.

## 90-Day Warranty on Mechanical and Electrical Parts

For ninety days from the date of purchase, if this dryer is installed and operated according to the instructions in this manual, Sears will repair or replace any of its mechanical or electrical parts if they are defective in material or workmanship.

**NOTE:** Exhausting your dryer with a plastic vent may void this warranty. Pages 22-26 of this manual describe the complete exhaust requirements for this dryer.

## Warranty Service

Warranty service is available by contacting your nearest Sears Service Center in the United States.

This warranty applies only while this dryer is in use in the United States.

This warranty gives you specific legal rights, and you may also have other rights which vary from state to state.

**Sears, Roebuck and Co., Dept. 817WA, Hoffman Estates, IL 60179.**

## Your safety and the safety of others is very important.

We have provided many important safety messages in this manual and on your appliance. Always read and obey all safety messages.



This is the safety alert symbol. This symbol alerts you to hazards that can kill or hurt you and others. All safety messages will be preceded by the safety alert symbol and the word "DANGER" or "WARNING." These words mean:

 **DANGER**

You will be killed or seriously injured if you don't follow instructions.

 **WARNING**

You can be killed or seriously injured if you don't follow instructions.

All safety messages will identify the hazard, tell you how to reduce the chance of injury, and tell you what can happen if the instructions are not followed.

## IMPORTANT SAFETY INSTRUCTIONS

**WARNING:** To reduce the risk of fire, electric shock, or injury to persons when using the dryer, follow basic precautions, including the following:

- Read all instructions before using the dryer.
- Do not place items exposed to cooking oils in your dryer. Items contaminated with cooking oils may contribute to a chemical reaction that could cause a load to catch fire.
- Do not dry articles that have been previously cleaned in, washed in, soaked in, or spotted with gasoline, dry-cleaning solvents, other flammable, or explosive substances as they give off vapours that could ignite or explode.
- Do not allow children to play on or in the dryer. Close supervision of children is necessary when the dryer is used near children.
- Before the dryer is removed from service or discarded, remove the door to the drying compartment.
- Do not reach into the dryer if the drum is moving.
- Do not install or store the dryer where it will be exposed to the weather.
- Do not tamper with controls.
- Do not repair or replace any part of the dryer or attempt any servicing unless specifically recommended in this Owner's Manual or in published user-repair instructions that you understand and have the skills to carry out.
- Do not use fabric softeners or products to eliminate static unless recommended by the manufacturer of the fabric softener or product.
- Do not use heat to dry articles containing foam rubber or similarly textured rubber-like materials.
- Clean lint screen before or after each load.
- Keep area around the exhaust opening and adjacent surrounding areas free from the accumulation of lint, dust, and dirt.
- The interior of the dryer and exhaust vent should be cleaned periodically by qualified service personnel.
- See Installation Instructions for grounding requirements.

## SAVE THESE INSTRUCTIONS

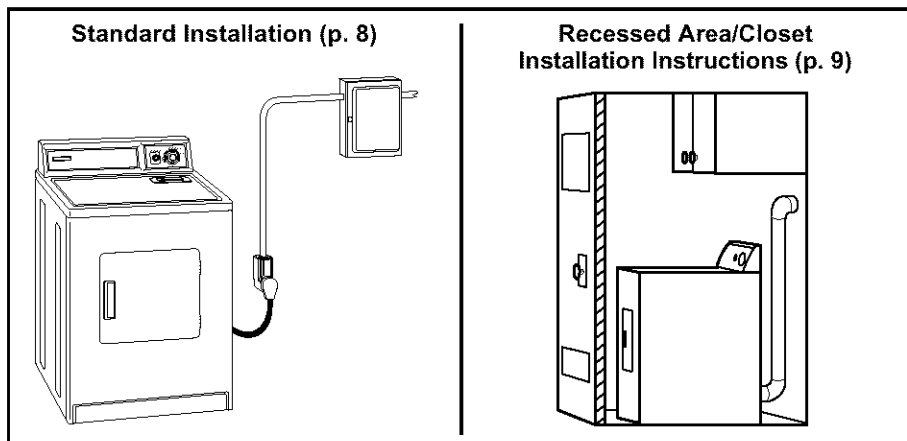
**IMPORTANT:** Observe all governing codes and ordinances.

# INSTALLATION INSTRUCTIONS

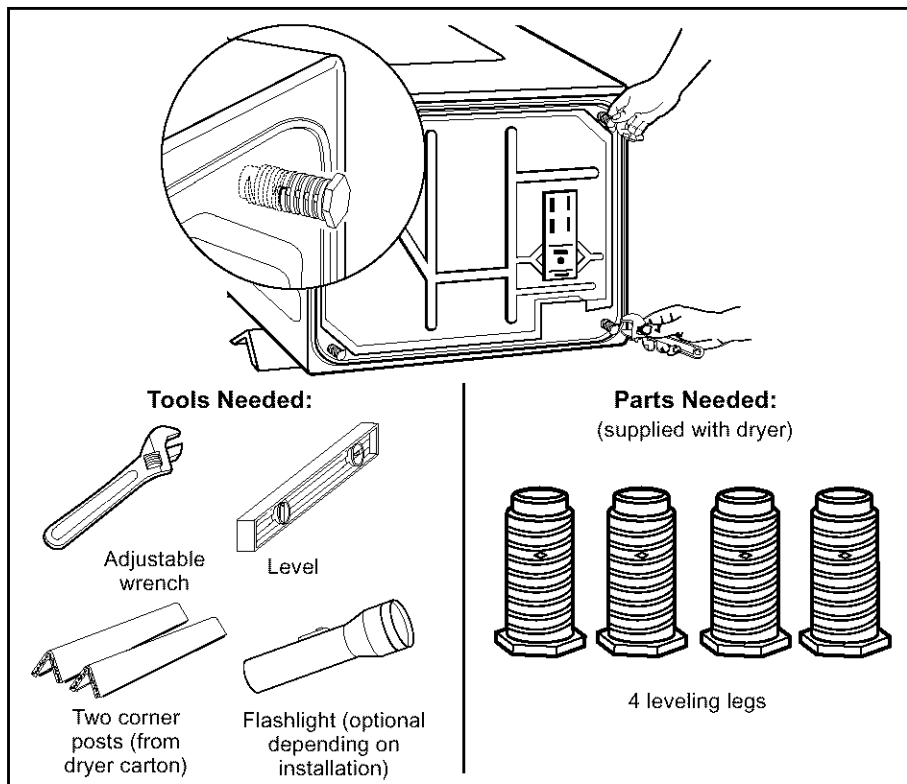
## INSTALLATION OVERVIEW

For a complete list of tools and parts needed, see pages 5-7.

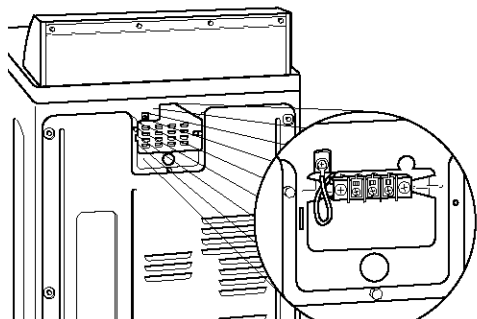
### A. SELECT LOCATION FOR YOUR DRYER (pgs. 8-9)



### B. INSTALL LEVELING LEGS (p. 10)

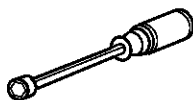


## C. MAKE ELECTRICAL CONNECTION (pgs. 11-21)

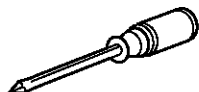


### If using a power cord:

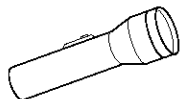
#### Tools Needed:



1/4-inch nut driver (shown) or socket wrench

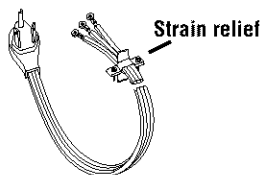


#2 Phillips head screwdriver



Flashlight (optional depending on installation)

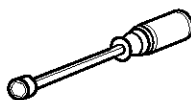
#### Parts Needed:



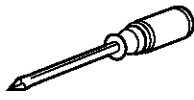
New 3- or 4-wire, 30-amp., U.L.-listed power supply cord kit (includes strain relief)

### If making a direct wire connection:

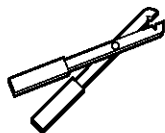
#### Tools Needed:



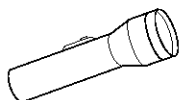
1/4-inch nut driver (shown) or socket wrench



#2 Phillips head screwdriver



Wire stripper

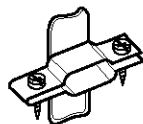


Flashlight (optional depending on installation)

#### Parts Needed:

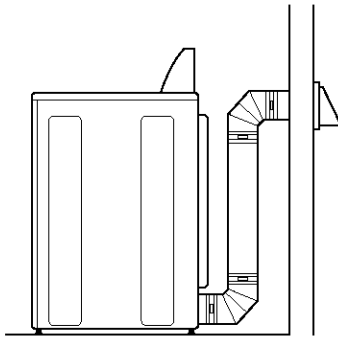


10-gauge, 3- or 4-wire, flexible armored or nonmetallic sheathed copper cable (with grounding wire)



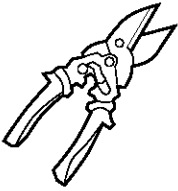
3/4-inch, U.L.-listed, strain relief

**D. CONNECT EXHAUST (pgs. 22-26)**

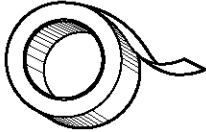


**Tools Needed:**

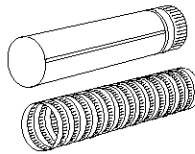
**Parts Needed:**



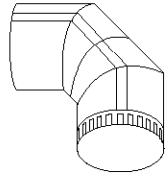
Tin snips



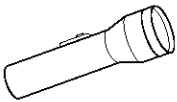
Duct tape



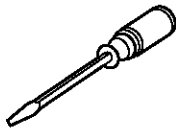
4-inch rigid or flexible heavy metal vent



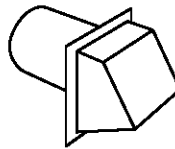
4-inch metal elbow(s) (optional depending on installation)



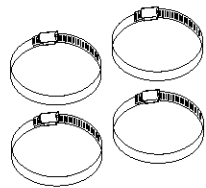
Flashlight (optional depending on installation)



Flat-bladed screwdriver



4-inch outlet exhaust hood



(4) 4-inch diameter clamps

## A. SELECT LOCATION FOR YOUR DRYER

### *for your* **Benefit**

Selecting the proper location for your dryer makes installation easy and gives you the best drying performance.


### STANDARD INSTALLATION

Check location where dryer will be installed. Proper installation is your responsibility. Make sure you have everything necessary for correct installation (see illustration below).

The dryer must not be installed where it can be exposed to water and/or weather.

- Proper operation of dryer cycles requires temperatures above 45°F (at lower temperatures, the dryer may not shut off at the end of automatic cycles and drying times will be extended).

## ⚠ WARNING



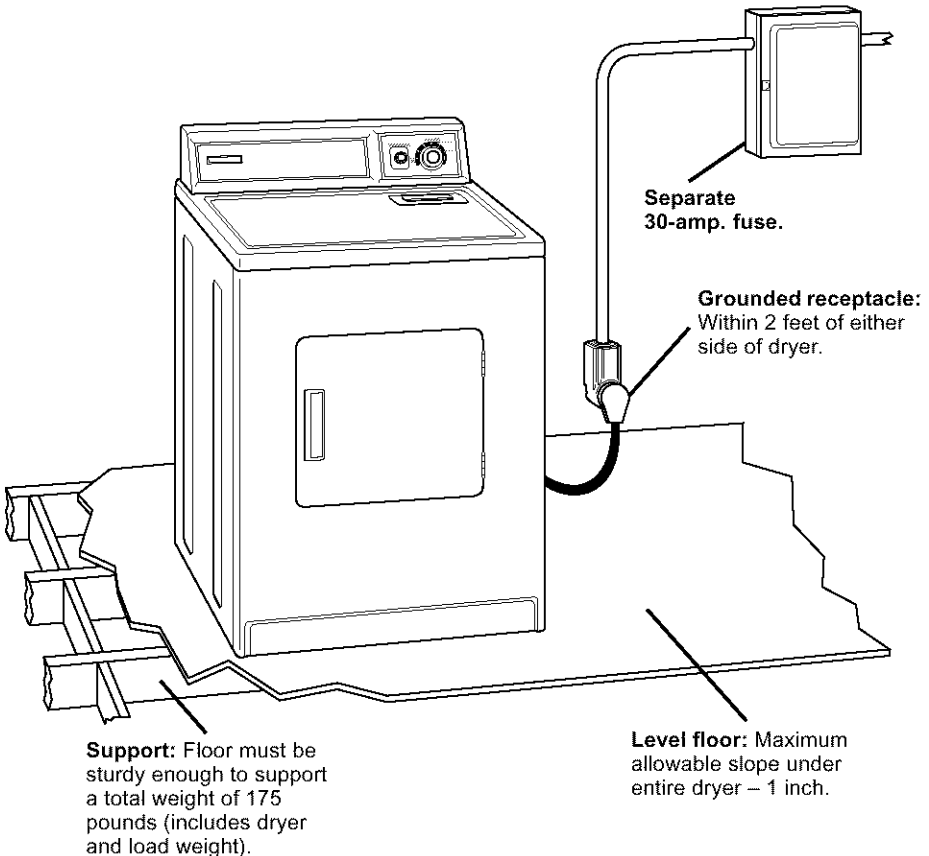
**Explosion Hazard**

Keep flammable materials and vapors, such as gasoline, away from dryer.

**Place dryer at least 18 inches (46 cm) above the floor for a garage installation.**

**Failure to do so can result in death, explosion, or fire.**

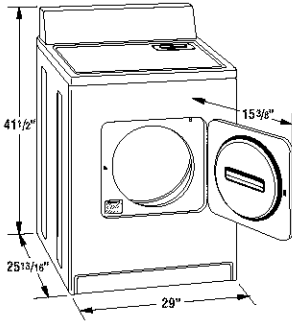
- Check code requirements. Some codes limit or do not permit installation of clothes dryers in garages, closets, mobile homes, or sleeping quarters. Contact your local building inspector.



## DRYER DIMENSIONS

Most installations will require at least 5-inch clearance behind the dryer for the dryer vent.

Location must be large enough to fully open dryer door.



Side-Swing Door

## RECESSED AREA/CLOSET INSTALLATION INSTRUCTIONS

Check governing codes and ordinances. This dryer may be installed in a recessed area or closet.

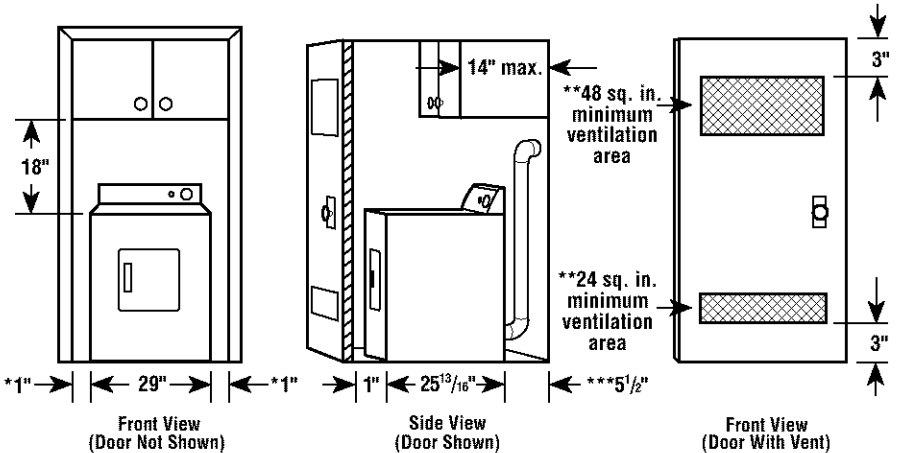
The dryer must not be installed where it can be exposed to water and/or weather.

- Proper operation of dryer cycles requires temperatures above 45°F (at lower temperatures, the dryer may not shut off at the end of automatic cycles and drying times will be extended).
- Check code requirements. Some codes limit or do not permit installation of clothes dryers in garages, closets, mobile homes, or sleeping quarters. Contact your local building inspector.

**WARNING:** To reduce the risk of fire, this appliance must be exhausted outdoors.

**NOTE:** No fuel-burning appliances may be installed in the same closet as a dryer.

## MINIMUM INSTALLATION SPACING



- \* Additional clearances for wall, door and floor moldings may be required. 0" clearance is acceptable but not recommended.
- \*\* Opening is minimum for closet door. Louvered door with equivalent air openings is acceptable.
- \*\*\* Additional space is needed when external exhaust elbow is used. Can be 0" clearance when house exhausting is lined up directly with dryer exhaust.

- In the above illustration, the installation spacing is in inches and is the minimum allowable.
- Additional spacing should be considered for ease of installation and servicing.
- If closet door is installed, the minimum air openings in top and bottom are

- required. Louvered doors with equivalent air openings in top and bottom are acceptable.
- All installations must be exhausted outside. Use at least the minimum dimensions indicated.

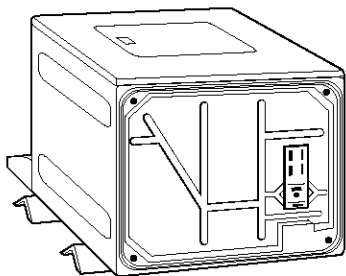
## B. INSTALL LEVELING LEGS

### *for your* **Benefit**

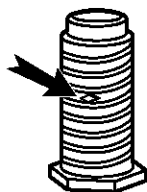
**Leveling your dryer correctly will reduce operating noise and provide improved drying performance.**

**STEP 1.** Take two of the cardboard corners from the carton. Place them on the floor in back of the dryer.

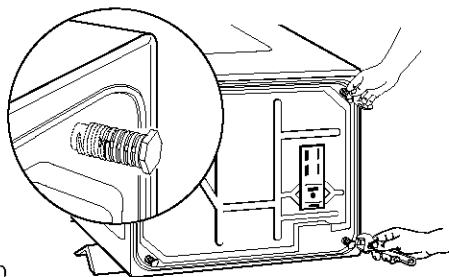
**STEP 2.** Firmly grasp the body of the dryer (not the top or console panel). Gently lay dryer on the cardboard corners.



**STEP 3.** With one of the legs in hand, check the ridges for a diamond marking.

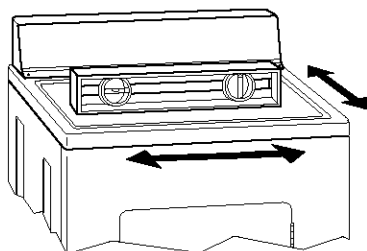


**STEP 4.** Start to screw the legs into the holes by hand. Use a wrench to finish turning the legs until diamond marking is no longer visible. This is when we recommend you start checking the dryer for levelness. Further adjustment may be necessary.

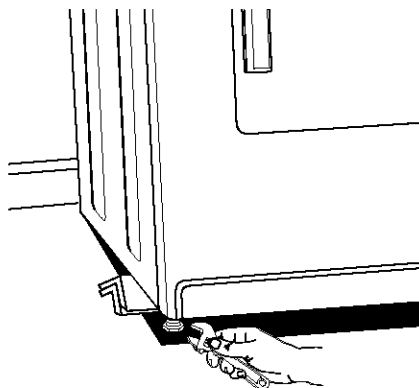


**STEP 5.** Stand the dryer up and move it close to its final location. Leave enough room to connect the exhaust vent.

**STEP 6.** Check levelness of dryer by placing a level on top of the dryer, first side-to-side; then front-to-back.



**STEP 7.** If dryer is not level, prop the dryer up using two stacked cardboard corner posts. Use a wrench to adjust the legs up or down.



**NOTE:** It may be necessary to level the dryer again after it is moved into its final position.

## C. MAKE ELECTRICAL CONNECTION

### It is your responsibility:

- To contact a qualified electrical installer.
- To assure that the electrical installation is adequate and in conformance with the National Electrical Code, ANSI/NFPA 70 – latest edition and all local codes and ordinances.

Copies of the code standards listed above may be obtained from:

**National Fire Protection Association  
Batterymarch Park  
Quincy, Massachusetts 02269**

## ELECTRICAL REQUIREMENTS

### for your **Benefit**


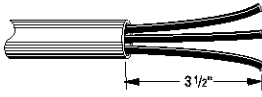

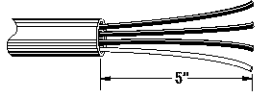
**The proper electrical connection ensures a safe installation that meets local code requirements.**

A three-wire or four-wire, single phase, 120/240-volt, 60-Hz., AC-only, electrical supply (or three-wire or four-wire, 120/208-volt if specified on serial/rating plate) is required on a separate 30-ampere circuit, fused on both sides of the line. A time-delay fuse or circuit breaker is recommended.

This dryer is manufactured with the 3-wire, frame-grounding conductor connected to the NEUTRAL (white or center) of the wiring harness of the terminal block. Do not have a fuse in the neutral or grounding circuit. A fuse in the neutral or grounding circuit could result in an electrical shock.

Use a 4-conductor cord when the dryer is installed in a mobile home or an area where local codes do not permit grounding through the neutral.

## ELECTRICAL CONNECTION OPTIONS

If Your Home Has:		And You Will Be Connecting To:	Go To Page
3-wire electrical receptacle (NEMA Type 10-30R)		A U.L.-listed, 120/240-volt minimum, 30-amp., dryer power supply cord.*	12 – I.
3-wire direct		A fused disconnect or circuit breaker box.*	14 – II.
4-wire electrical receptacle (NEMA Type 14-30R)		A U.L.-listed, 120/240-volt minimum, 30-amp., dryer power supply cord.	17 – III.
4-wire direct		A fused disconnect or circuit breaker box.	20 – IV.

\*If local codes do not permit the connection of a frame-grounding conductor to the neutral wire, see the instructions on page 16.

## I. THREE-WIRE ELECTRICAL CONNECTION TO RECEPTACLE

Use a 3-wire power supply cord:

### **WARNING**



#### Fire Hazard

Use a new UL approved 30 ampere power supply cord.

Use a UL approved strain relief.

Disconnect power before making electrical connections.

Connect neutral wire (white or center wire) to center terminal (silver).

Ground wire (green or bare wire) must be connected to green ground connector.

Connect remaining 2 supply wires to remaining 2 terminals (gold).

Securely tighten all electrical connections.

Failure to do so can result in death, fire, or electrical shock.

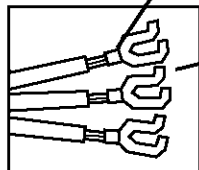
Local codes may permit the use of a U.L.-listed, 120/240-volt minimum, 30-ampere, dryer power supply cord kit (pigtail). Power supply cord should be type SRD or SRDT and be at least four feet long. The wires that connect to the dryer must end with ring terminals or spade terminals with upturned ends.

Do not use an extension cord with this dryer.

Do not connect plug end of power supply cord into a live receptacle before connecting power supply cord to dryer terminal block.

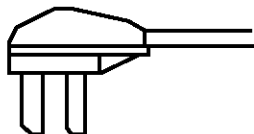
The power supply cord must have three, No.-10 copper wires to match a three-wire receptacle of NEMA Type 10-30R.

Spade terminals with upturned ends (OR ring terminals)



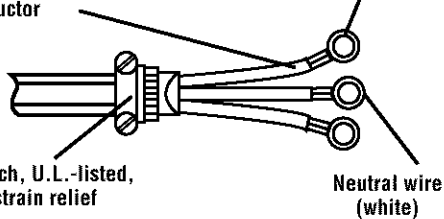
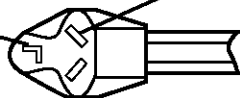
Connect wire with ends facing you

Ring terminals (OR spade terminals)



This blade connected to this conductor

Neutral

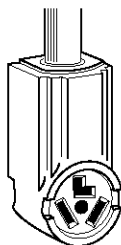


3/4-inch, U.L.-listed, strain relief

Neutral wire (white)

### Three-Wire Power Supply Cord

Three-wire receptacle (NEMA Type 10-30R)



## GROUNDING INSTRUCTIONS

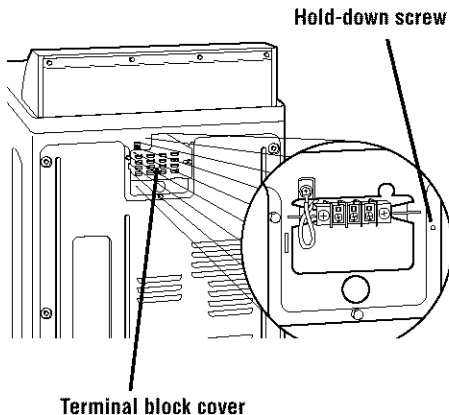
This appliance must be grounded. In the event of malfunction or breakdown, grounding will reduce the risk of electric shock by providing a path of least resistance for electric current. The power supply cord must be plugged into an appropriate outlet that is properly installed and grounded in accordance with all local codes and ordinances.

**WARNING:** Improper connection of the equipment-grounding conductor can result in a risk of electric shock. Check with a qualified electrician or serviceman if you are in doubt as to whether the appliance is properly grounded.

Do not modify the plug on the power supply cord. If it will not fit the outlet, have a proper outlet installed by a qualified electrician.

**STEP 1.** Disconnect power.

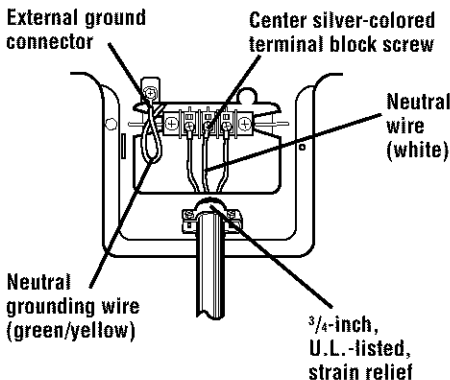
**STEP 2.** Remove hold-down screw and terminal block cover.



**STEP 3.** Attach a 3/4-inch, U.L.-listed, strain relief to the hole below terminal block opening. Strain relief should have a tight fit with dryer cabinet and be in a horizontal position. Put the power supply cord through the strain relief.

**STEP 4.** Loosen or remove terminal block screws. Connect the neutral wire (white or center) of power supply cord under the center screw of the terminal block.

**STEP 5.** Connect the other two wires to outer terminal block screws. Securely tighten all electrical connections.



### 3-Wire Connection with Frame-Grounding Conductor

**STEP 6.** Tighten the strain relief screws.

**STEP 7.** Insert tab of terminal block cover into slot of the dryer rear panel. Secure cover with hold-down screw.

**If local codes do not permit the connection of a frame-grounding conductor to the neutral wire, see the instructions on page 16.**

**Otherwise, proceed with installation on page 22.**

## II. THREE-WIRE ELECTRICAL CONNECTION (DIRECT WIRE)

Prepare cable as directed:

### **⚠ WARNING**



#### **Fire Hazard**

**Use 10 gauge solid copper wire.**

**Use a UL approved strain relief.**

**Disconnect power before making electrical connections.**

**Connect neutral wire (white or center wire) to center terminal (silver).**

**Ground wire (green or bare wire) must be connected to green ground connector.**

**Connect remaining 2 supply wires to remaining 2 terminals (gold).**

**Securely tighten all electrical connections.**

**Failure to follow these instructions can result in death, fire, or electrical shock.**

The dryer can be connected directly to fused disconnect or circuit breaker box with three-wire, flexible armored or non-metallic sheathed copper cable (with grounding wire). All current-carrying wires must be insulated.

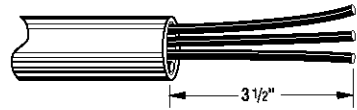
A conduit connector must be installed at junction box. Allow four feet of slack in the line so dryer can be moved if servicing is ever necessary.

### **GROUNDING INSTRUCTIONS**

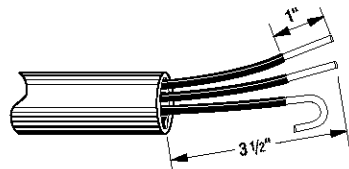
This appliance must be connected to a grounded metal, permanent wiring system; or an equipment-grounding conductor must be run with the circuit conductors and connected to the equipment-grounding terminal or lead on the appliance.

**STEP 1. Disconnect power.**

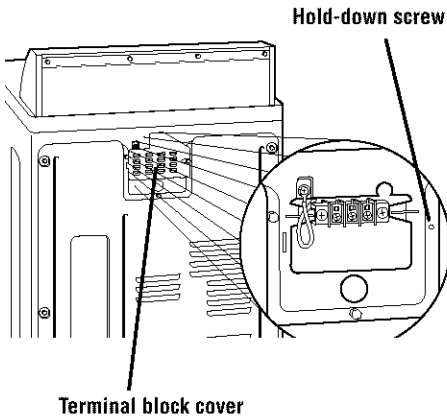
**STEP 1a.** Strip  $3\frac{1}{2}$  inches of outer covering from end of cable. If using 3-wire cable with grounding wire, cut the bare wire even with outer covering.



**STEP 1b.** Cut 1 inch of insulation from the end of each insulated wire. Shape the end of each wire into a "U" shaped hook.



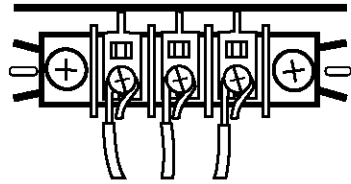
**STEP 2.** Remove hold-down screw and terminal block cover.



**STEP 3.** Attach a  $\frac{3}{4}$ -inch, U.L.-listed, strain relief to the hole below terminal block opening. Strain relief should have a tight fit with dryer cabinet and be in a horizontal position. Put the direct wire cable through the strain relief.

**STEP 4.** Loosen or remove terminal block screws. Connect the neutral wire (white or center) of direct wire cable under the center screw of the terminal block.

**STEP 4a.** Place the hook-shaped end of the wire over the terminal block screw. The open side of the hook should face to the right. Squeeze hook end of wire together to form a loop.



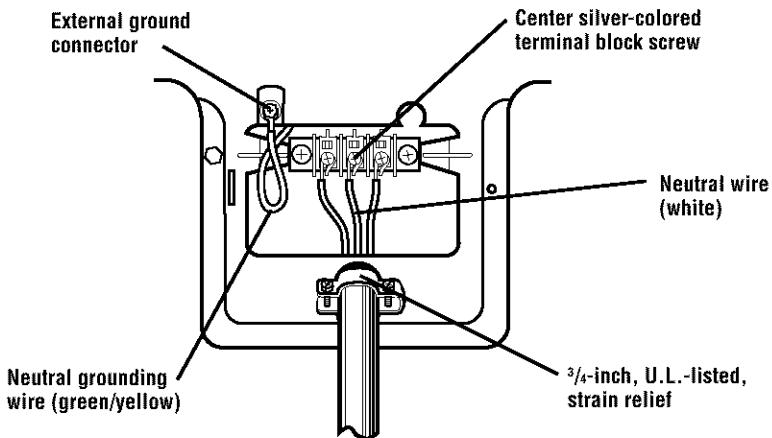
**STEP 5.** Connect the other two wires to outer terminal block screws using the same method(s) described in STEP 4a. Securely tighten all electrical connections.

**STEP 6.** Tighten the strain relief screws.

**STEP 7.** Insert tab of terminal block cover into slot of the dryer rear panel. Secure cover with hold-down screw.

**If local codes do not permit the connection of a frame-grounding conductor to the neutral wire, see the instructions on page 16.**

**Otherwise, proceed with installation on page 22.**



**3-Wire Connection with Direct Wire and Frame-Grounding Conductor**

**ALTERNATE CONNECTION:  
If local codes do not permit the  
connection of a frame-grounding  
conductor to the neutral wire:**

**STEP 1.** Disconnect power.

**STEP 2.** Make sure the power supply cord or direct wire cable is in place (see STEPS 1-3 on page 13 for power cord connections or STEPS 1-3 on pages 14-15 for direct wire connection).

**STEP 3.** Remove the neutral grounding wire (green/yellow wire) from external grounding connector screw. Loosen or remove terminal block screws. Connect neutral grounding wire and the neutral wire (white or center) of power supply cord or direct wire cable under the center screw of the terminal block.

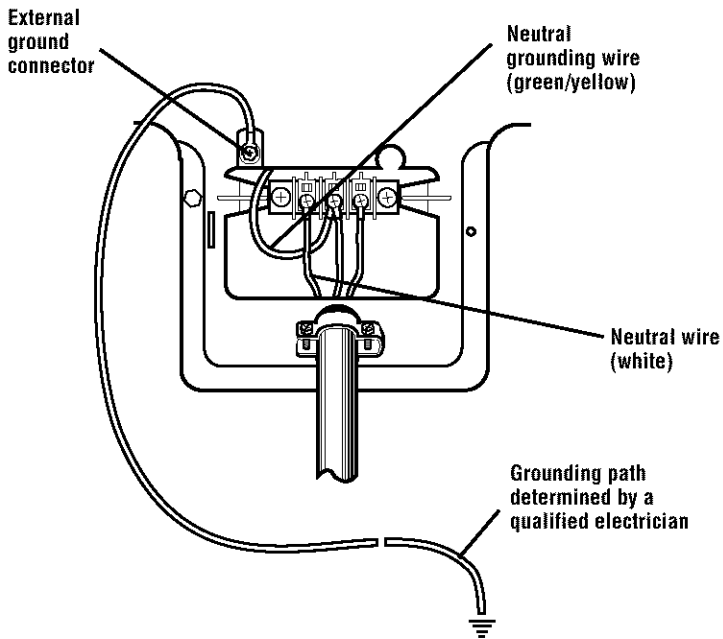
**STEP 4.** Connect the other two wires to outer terminal block screws. Securely tighten all electrical connections.

**STEP 5.** Tighten the strain relief screws.

**STEP 6.** Insert tab of terminal block cover into slot of the dryer rear panel. Secure cover with hold-down screw.

**STEP 7.** Connect separate copper grounding wire from external ground connector to an adequate ground. If codes permit and a separate grounding wire is used, it is recommended that a qualified electrician determine that the grounding path is adequate.

**Proceed with installation on page 22.**



**Alternate 3-Wire Connection with  
External-Grounding Conductor**

### III. MAKE FOUR-WIRE ELECTRICAL CONNECTION TO RECEPTACLE

Use a 4-wire power supply cord:

## ⚠ WARNING



### Fire Hazard

Use a new UL approved 30 ampere power supply cord.

Use a UL approved strain relief.

Disconnect power before making electrical connections.

Connect neutral wire (white or center wire) to center terminal (silver).

Ground wire (green or bare wire) must be connected to green ground connector.

Connect remaining 2 supply wires to remaining 2 terminals (gold).

Securely tighten all electrical connections.

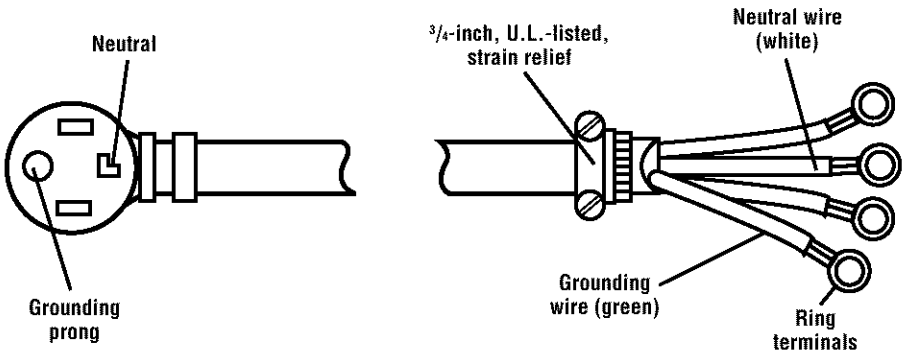
Failure to do so can result in death, fire, or electrical shock.

Local codes may permit the use of a U.L.-listed, 120/240-volt minimum, 30-ampere, dryer power supply cord kit (pigtail). Power supply cord should be type SRD or SRDT and be at least four feet long. The wires that connect to the dryer must end with ring terminals or spade terminals with upturned ends.

For mobile homes or other four-wire installations, the power supply cord must have four, No.-10 copper wires and match a four-wire receptacle of NEMA Type 14-30R. The fourth wire (grounding conductor) must be identified with a green cover or bare copper wire and the neutral conductor by a white cover.

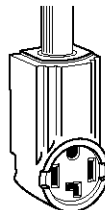
Do not use an extension cord with this dryer.

Do not connect plug end of power supply cord into a live receptacle before connecting power supply cord to dryer terminal block.



**Four-Wire Power Supply Cord**  
(Mobile home or other four-wire installations)

**Four-wire receptacle**  
(NEMA Type 14-30R)



## GROUNDING INSTRUCTIONS

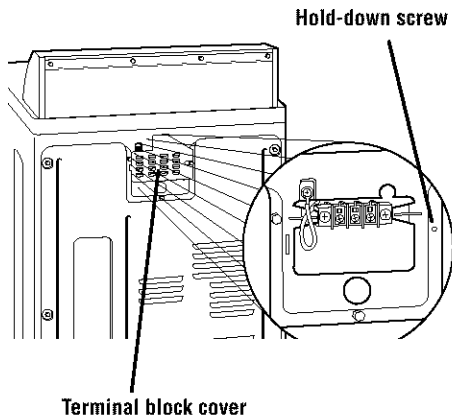
This appliance must be grounded. In the event of malfunction or breakdown, grounding will reduce the risk of electric shock by providing a path of least resistance for electric current. The power supply cord must be plugged into an appropriate outlet that is properly installed and grounded in accordance with all local codes and ordinances.

**WARNING:** Improper connection of the equipment-grounding conductor can result in a risk of electric shock. Check with a qualified electrician or serviceman if you are in doubt as to whether the appliance is properly grounded.

Do not modify the plug on the power supply cord. If it will not fit the outlet, have a proper outlet installed by a qualified electrician.

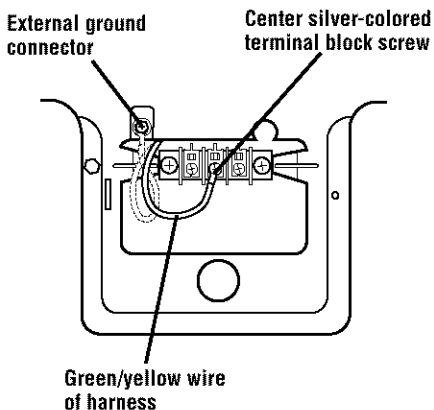
**STEP 1.** Disconnect power.

**STEP 2.** Remove hold-down screw and terminal block cover.



**STEP 3.** Attach a  $\frac{3}{4}$ -inch, U.L.-listed, strain relief to the hole below terminal block opening. Strain relief should have a tight fit with dryer cabinet and be in a horizontal position. Put the power supply cord through the strain relief.

**STEP 4.** Remove the center terminal block screw. Remove the neutral grounding wire (green/yellow wire) from external grounding screw.



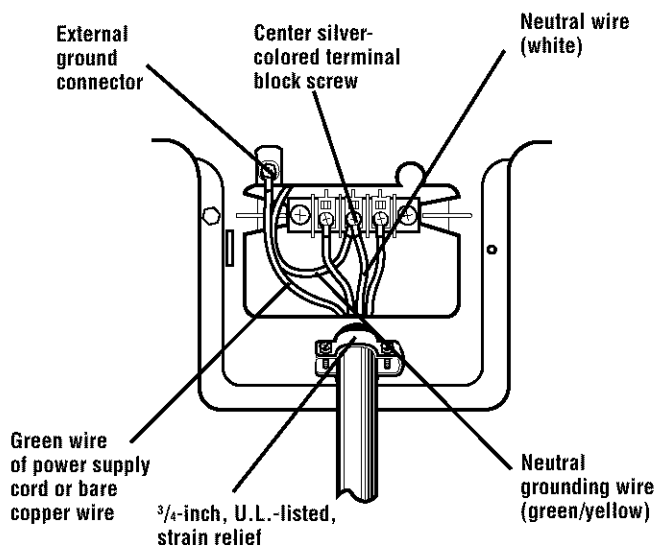
**STEP 5.** Connect neutral grounding wire and the neutral wire (white or center) of power supply cord under the center screw of terminal block.

**STEP 6.** Connect the other two insulated wires to outer terminal block screws.

**STEP 7.** Connect the grounding wire (green) of the power supply cord to the external grounding conductor screw. Securely tighten all electrical connections.

**STEP 8.** Insert tab of terminal block cover into slot of the dryer rear panel. Secure cover with hold-down screw.

Proceed with installation on page 22.



**4-Wire Connection with  
Frame-Grounding Conductor**

## IV. FOUR-WIRE ELECTRICAL CONNECTION (DIRECT WIRE)

Prepare cable as directed:

### **⚠ WARNING**



#### **Fire Hazard**

Use 10 gauge solid copper wire.

Use a UL approved strain relief.

Disconnect power before making electrical connections.

Connect neutral wire (white or center wire) to center terminal (silver).

Ground wire (green or bare wire) must be connected to green ground connector.

Connect remaining 2 supply wires to remaining 2 terminals (gold).

Securely tighten all electrical connections.

Failure to follow these instructions can result in death, fire, or electrical shock.

The dryer can be connected directly to fused disconnect or circuit breaker box with four-wire flexible armored or non-metallic sheathed copper cable (with grounding wire). All current-carrying wires must be insulated. The grounding wire may be bare.

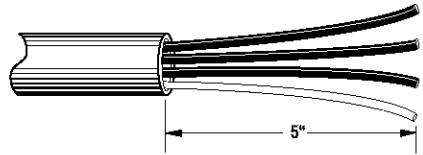
A conduit connector must be installed at junction box. Allow four feet of slack in the line so dryer can be moved if servicing is ever necessary.

## GROUNDING INSTRUCTIONS

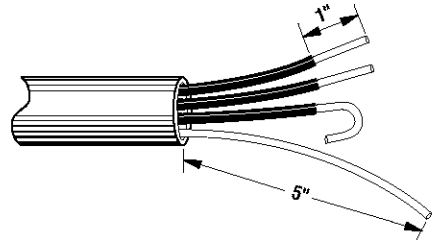
This appliance must be connected to a grounded metal, permanent wiring system; or an equipment-grounding conductor must be run with the circuit conductors and connected to the equipment-grounding terminal or lead on the appliance.

**STEP 1.** Disconnect power.

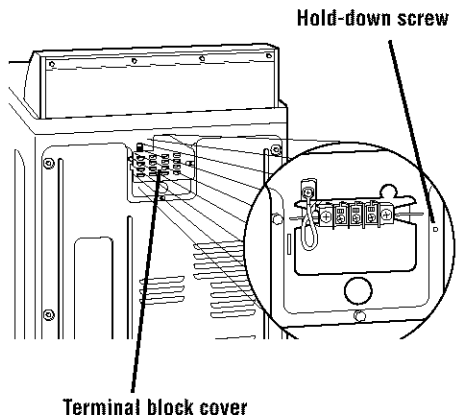
**STEP 1a.** Strip 5 inches of outer covering from end of cable. Leave bare grounding wire at 5 inches.



**STEP 1b.** Cut 1½ inches from the three remaining insulated wires. Strip insulation back 1 inch. Shape the end of each wire into a "U" shaped hook.

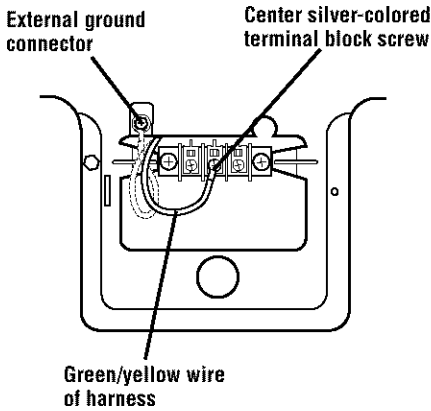


**STEP 2.** Remove hold-down screw and terminal block cover.



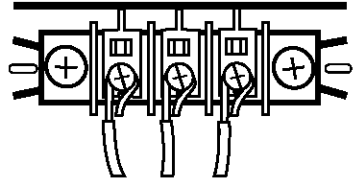
**STEP 3.** Attach a  $\frac{3}{4}$ -inch, U.L.-listed, strain relief to the hole below terminal block opening. Strain relief should have a tight fit with dryer cabinet and be in a horizontal position. Put the direct wire cable through the strain relief.

**STEP 4.** Remove the center terminal block screw. Remove the neutral grounding wire (green/yellow wire) from external grounding screw.



**STEP 5.** Connect neutral grounding wire and the neutral wire (white or center) of direct wire cable under the center screw of terminal block.

**STEP 6.** Place the hook-shaped end of the wire over the terminal block screw. The open side of the hook should face to the right. Squeeze hook end of wire together to form a loop.

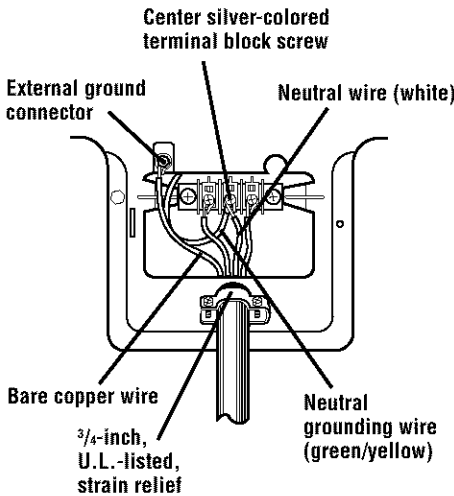


**STEP 7.** Connect the other two wires to outer terminal block screws. Use the same method described in STEP 6.

**STEP 8.** Connect the direct wire cable (bare) grounding wire to the external-grounding conductor screw. Securely tighten all electrical connections.

**STEP 9.** Tighten the strain relief screws.

**STEP 10.** Insert tab of terminal block cover into slot of the dryer rear panel. Secure cover with hold-down screw.



**4-Wire Connection with Direct Wire and Frame-Grounding Conductor**

## D. CONNECT EXHAUST

### *for your* **Benefit**

A properly exhausted dryer will give you the shortest drying time, lower your utility bills, and extend the life of the dryer.

## **⚠ WARNING**



### **Fire Hazard**

**Use a heavy metal vent.**

**Do not use a plastic vent.**

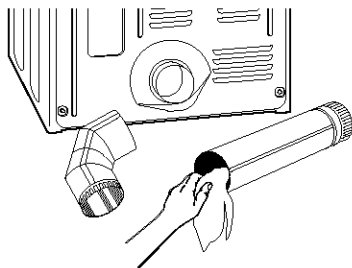
**Do not use a metal foil vent.**

**Failure to follow these instructions can result in death or fire.**

**WARNING:** To reduce the risk of fire, this dryer must be exhausted outdoors.

- Use a heavy metal vent.
- Do not use a plastic vent.
- Do not use a metal foil vent.
- Do not exhaust dryer into a chimney, a wall, a ceiling, or a concealed space of a building.
- The diameter of the heavy metal vent must be 4 inches.
- Do not use an exhaust hood with a magnetic latch.

- If using an existing exhaust system, disconnect vent from the dryer and clean one section at a time until you reach the exhaust hood. To clean out lint, you can use the hose attachment on your vacuum, or use a pole or wire with a feather duster or rag attached.

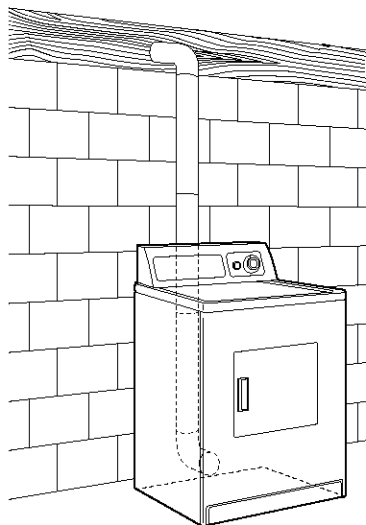


- Make sure exhaust hood is not plugged with lint. Follow the instructions in this section to reinstall your vent system.

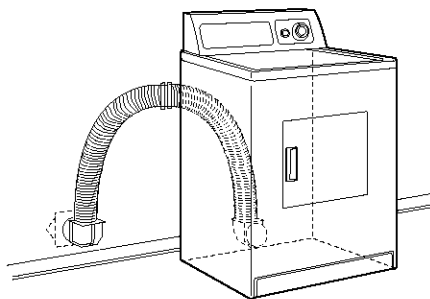
## ROUTE THE VENT

Typical installations exhaust from the rear of the dryer.

Avoid pushing the dryer tightly against a wall. This can crush or kink the vent. Use the straightest path you can, where possible. Avoid 90° turns.



Rear exhaust installations for standard offset connections – (see pgs. 24-25)



Rear exhaust installations for offset connections with close clearances – (see p. 26)

## DETERMINE VENT LENGTH

### Maximum Exhaust Lengths:

- The maximum length of the rear exhaust system depends on the type of vent, the number of elbows, and the type of exhaust hood. Refer to the chart below.

**NOTE:** If a combination of rigid metal vent and flexible metal vent is used, use instructions for flexible metal vent.

4-INCH EXHAUST HOODS	
Number of 90° Turns	Maximum length of 4-inch diameter rigid heavy metal vent
0	64 ft.
1	54 ft.
2	44 ft.
3	35 ft.
4	27 ft.
Number of 90° Turns	Maximum length of 4-inch diameter flexible heavy metal vent
0	36 ft.
1	31 ft.
2	27 ft.
3	25 ft.
4	23 ft.
2 1/2-INCH EXHAUST HOODS*	
Number of 90° Turns	Maximum length of 4-inch diameter rigid heavy metal vent
0	58 ft.
1	48 ft.
2	38 ft.
3	29 ft.
4	21 ft.
Number of 90° Turns	Maximum length of 4-inch diameter flexible heavy metal vent
0	28 ft.
1	23 ft.
2	19 ft.
3	17 ft.
4	15 ft.

\*Use a 4-inch exhaust hood if possible.

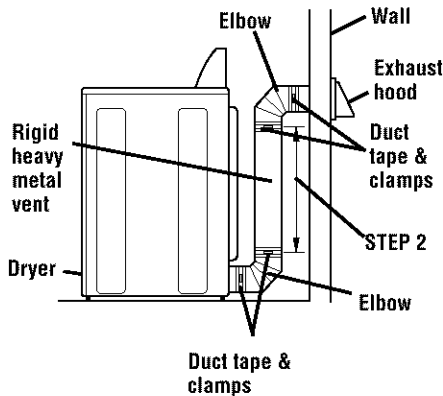
## STANDARD OFFSET CONNECTIONS

### Using 4-inch rigid heavy metal vent:

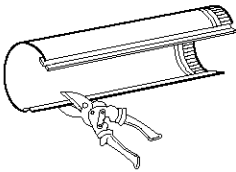
**NOTE:** Do not secure exhaust vent joints with screws. Screws can catch lint and slow the drying process. Instead, use clamps to secure exhaust vent joints.

**STEP 1.** Install a 4-inch metal elbow on the hood and on the dryer's exhaust outlet.

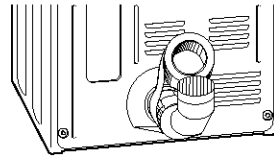
**STEP 2.** Measure the length of 4-inch rigid heavy metal vent needed to connect the two elbows.



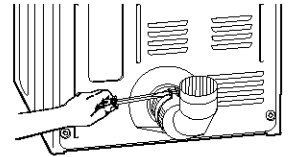
The vent usually comes in 2-foot lengths. Use tin snips to cut the vent 3 inches longer than your measurement in order to make a connection.



**STEP 3.** Place a clamp on each end of vent elbow and connect elbow to your dryer's exhaust outlet. Tape the joint with duct tape. Tighten clamp.



Tape



Clamp

**STEP 4.** Connect vent to elbow. Tape the joint with duct tape. Tighten clamp.

**STEP 5.** Install one end of elbow on vent, the other end to the exhaust hood. Tape joints and tighten clamps.

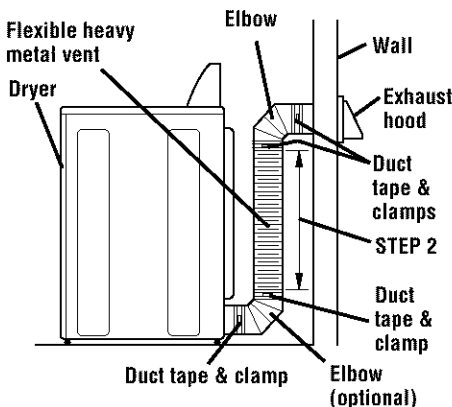
**Finish installation.** See "REVIEW INSTALLATION" on page 27.

**Using 4-inch flexible heavy metal vent:**

**NOTE:** Do not secure exhaust vent joints with screws. Screws can catch lint and slow the drying process. Instead, use clamps to secure exhaust vent joints.

**STEP 1.** Install a 4-inch metal elbow on the exhaust hood and, if necessary, on the dryer's exhaust outlet.

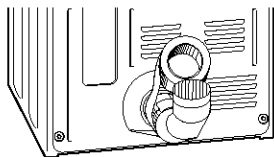
**STEP 2.** Measure the length of 4-inch flexible heavy metal vent needed from the dryer to the hood.



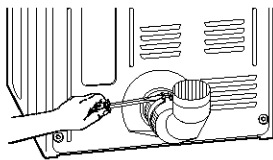
**STEP 3.** Add 10 inches to the measurement for each bend in the vent.

**STEP 4.** Add 3 more inches to the measurement for connection over the dryer's exhaust outlet and hood.

**STEP 5.** Place a clamp on each end of vent elbow. Install one end of elbow on vent, the other end to the exhaust hood. Tape joints and tighten clamps.



Tape

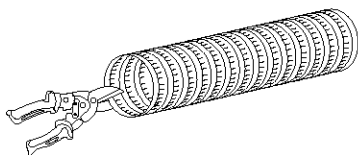


Clamp

**STEP 6.** Stretch the vent only as needed by pulling out from the center in each direction. Do not stretch vent sections over 6 feet. If distance is more than 6 feet, use 2 or more sections of rigid metal vent with flexible metal vent attached at ends.

**STEP 7.** Connect the vent directly to the dryer outlet or to a separate elbow. Tape the joints with duct tape. Secure with clamps.

**STEP 8.** To fit the vent over the duct on the hood it may be necessary to make two 1/2-inch cuts in the end of the vent to allow it to expand.



**Finish installation. See "REVIEW INSTALLATION" on page 27.**

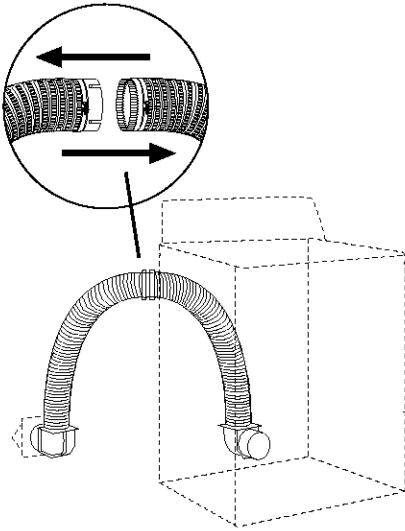
## OFFSET CONNECTIONS WITH CLOSE CLEARANCES

When your exhaust vent is in a close clearance behind the dryer, or if you are installing your dryer in a recessed area or closet, you will find it helpful to install the exhaust vent over-the-top\* of the dryer. A kit is available from your local Sears store or Sears Service Center.

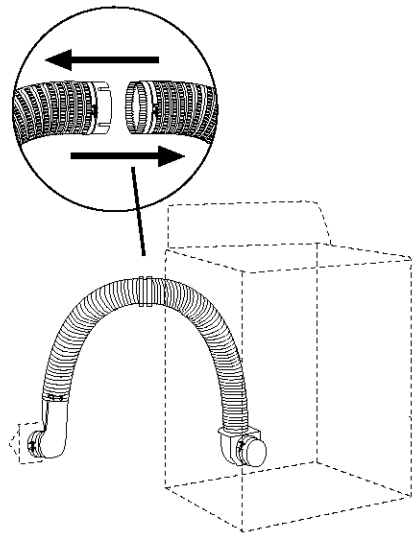
\*Parts may be covered by one or more U.S. Patents.

**NOTE:** Vent systems come in many varieties. Select the type that best fits your installation. Three of the most common types of installations are illustrated here.

### LOOP SYSTEM

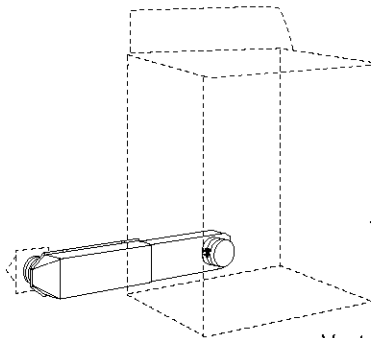


Vent system installed over-the-top with standard elbows



Vent system installed over-the-top with one offset and one standard elbow

### PERISCOPE SYSTEM



Vent system with one periscope (2-inch clearance)

## REVIEW INSTALLATION

### *for your* **Benefit**

Take a few minutes to complete this checklist. It will help assure you that you have a proper installation and increase your satisfaction with your Galaxy™ dryer.

- Check that all parts you removed from the parts packages are now installed.
- Ensure that dryer is positioned in its final location. Make sure vent is not crushed or kinked.
- Ensure that dryer is level by placing a level on top of the dryer. Check side-to-side first, then check front-to-back. If dryer is not level, adjust the legs up or down.
- Check to make sure you have all the tools you started with.

---

## FINAL STEPS

- Plug the power supply cord into the grounded outlet or connect direct wire to power supply.
- Turn power supply on.
- Wipe the interior of the drum thoroughly with a damp cloth to remove any dust.
- Remove the blue protective film on the console and any tape remaining on dryer.
- Take a few minutes and read the Operating Instructions (pgs. 28-29) to fully understand your new dryer.
- Start the dryer and allow it to complete a full heat cycle. After five minutes, open dryer door. You should feel heat inside the dryer. If you do not feel heat, see "TROUBLESHOOTING" on pages 33-34.

**NOTE:** You may notice a burning odor. This smell is common when the heating element is first used. The smell will go away.

# OPERATING YOUR DRYER

## STARTING YOUR DRYER

### ⚠ WARNING



#### Explosion Hazard

Keep flammable materials and vapors, such as gasoline, away from dryer.

Do not dry anything that has ever had anything flammable on it (even after washing).

Failure to follow these instructions can result in death, explosion, or fire.

To get the best drying results, you must operate your dryer properly. This section gives you this important information.

**NOTE:** For more information, refer to the "Feature Sheet" supplied with your dryer.

**STEP 1.** Check lint screen. Clean if needed.

**STEP 2.** Put laundry into dryer and shut door.

### ⚠ WARNING



#### Fire Hazard

No washer can completely remove oil.

Do not dry anything that has ever had any type of oil on it (including cooking oils).

Items containing foam, rubber, or plastic must be dried on a clothesline or by using an air cycle.

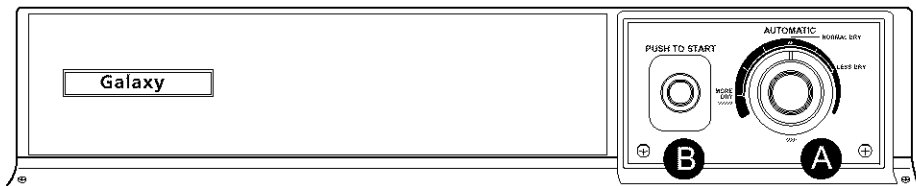
Failure to follow these instructions can result in death or fire.

**STEP 3.** Set Cycle Selector Control (Timer) **A** (see p. 29).

**STEP 4.** Press PUSH TO START Button **B**. Be sure door is closed.

## STOPPING/RESTARTING YOUR DRYER

- To stop the dryer at any time, open dryer door.
- To restart, press PUSH TO START Button. Be sure door is closed.
- If you wish to end your drying cycle, turn Cycle Selector Control (Timer) to OFF.



## CYCLE DESCRIPTION

### *for your* **Benefit**

The **AUTOMATIC Cycle** saves you time by providing the best drying results in the shortest time. This can help you save money on utility bills and reduce the risk of fabric damage.

#### **AUTOMATIC CYCLE**

This cycle is for sturdy clothes or synthetic, permanent press items. Clothes are dried at high heat. When the dryness selected is reached, the dryer goes into a 5-minute (approx.) cool down period.

- Set the Cycle Selector Control to **NORMAL DRY(\*)** which is good for most fabrics.
- At the end of the cycle, feel the dried clothes. If they are damp, move dial towards **MORE DRY** the next time you do a similar load. If they are overdried, move dial towards **LESS DRY** the next time you do a similar load.
- Dryness is determined by thermostats that react to the amount of moisture in the air exhausted from the dryer. Moist air indicates clothes are still damp, dry air indicates that moisture has been removed.

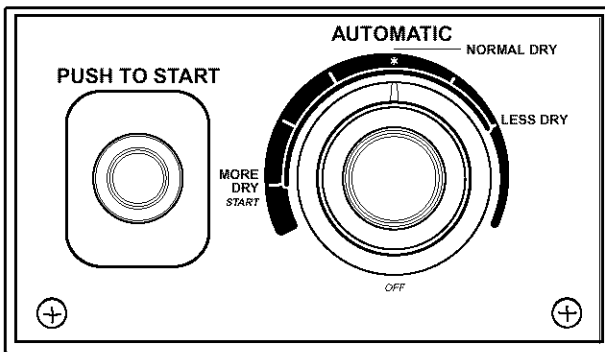
#### **COOL DOWN**

Approximately five minutes before the end of the **AUTOMATIC Cycle**, clothes are tumbled without heat to help reduce wrinkles and make clothes more comfortable to handle.

#### **PUSH TO START BUTTON**

Use this control to start the dryer. Be sure the dryer door is closed.

Opening the door stops the dryer. It will not start again until you close the door and press the **PUSH TO START** Button. Be sure the Cycle Selector Control is still on a dry setting.



## CARING FOR YOUR DRYER

This section explains how to care for your dryer properly and safely.

### *for your* **Benefit**

**Proper care of your dryer can extend its life and help you avoid costly service calls.**

### CLEANING THE DRYER

#### EXTERIOR

USE a soft, damp cloth to clean the cabinet and console. Avoid using harsh abrasives. Do not put sharp metal objects on or in your dryer. They can damage the finish.

#### INTERIOR

### **⚠ WARNING**



#### **Explosion Hazard**

**Use nonflammable cleaner.**

**Failure to do so can result in death, explosion, or fire.**

Garments that contain unstable dyes, such as denim blue jeans or brightly colored cotton items, may discolor the dryer drum.

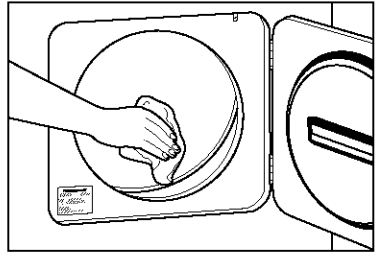
#### To clean dryer drum:

**STEP 1.** Make a paste with detergent and very warm water and apply to a soft cloth. Continue with STEPS 2-4.

or

**STEP 1a.** Spray nonflammable liquid household cleaner on the stained area. Continue with STEPS 2-4.

**STEP 2.** Scrub area until all excess dye is removed.



**STEP 3.** Wipe thoroughly with a damp cloth.

**STEP 4.** Tumble a load of clean towels for 20 minutes to dry.

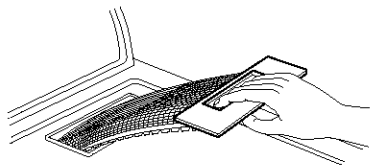
## CLEANING THE LINT SCREEN

### Remove Lint Before Every Load

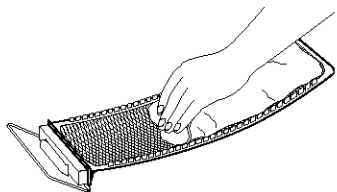
The lint screen is located on top of your dryer. Remove lint before every load. A screen blocked by lint can increase drying time.

#### To clean:

**STEP 1.** Pull the lint screen straight up.



**STEP 2.** Roll lint off the screen with your fingers. Do not rinse or wash screen to remove lint. Wet lint is hard to remove.



**STEP 3.** Push the lint screen firmly back into place.

#### IMPORTANT:

- Do not run the dryer with the lint screen loose, damaged, blocked, or missing. Doing so can cause overheating and damage to both the dryer and fabrics.
- Some towels made of synthetic fibers and natural fibers (polyester and cotton blends) may shed more lint than other towels, causing your dryer's lint screen to fill up faster. Be sure to remove lint from the lint screen before and after drying new towels.

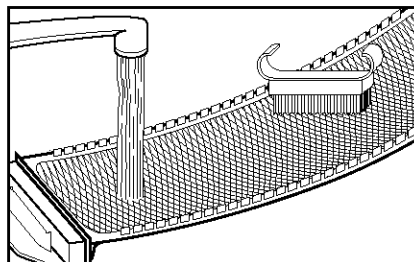
### Wash Lint Screen As Needed

Laundry detergents and fabric softeners can cause a residue buildup on the lint screen. Clean the lint screen with a nylon brush if it becomes clogged due to a residue buildup.

#### To wash:

**STEP 1.** Wet both sides of lint screen with hot water.

**STEP 2.** Wet a nylon brush with hot water and liquid detergent; scrub lint screen with the brush to remove residue buildup.



**STEP 3.** Rinse lint screen with hot water.

**STEP 4.** Thoroughly dry lint screen with a clean towel; replace in dryer.

### CHECKING FOR OBSTRUCTED AIRFLOW

From time to time, you may find it helpful to check your dryer and exhaust system for proper airflow. Poor airflow can result in longer drying times.

#### To check for obstructed airflow:

**STEP 1.** Check to ensure nothing is blocking ventilation slots on dryer rear panel.

**STEP 2.** Inspect exhaust hood. It should not be blocked or obstructed.

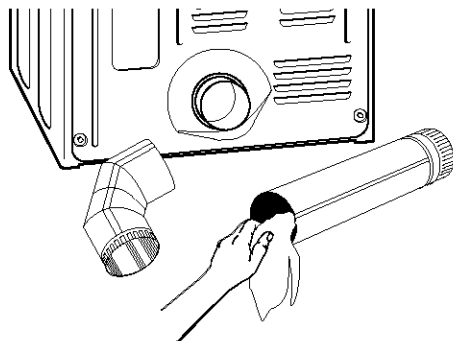
## REMOVING ACCUMULATED LINT

### To remove accumulated lint from exhaust vent:

**STEP 1.** Disconnect exhaust vent from the dryer.

**STEP 2.** Clean one section of vent at a time until you reach the exhaust hood. To clean out lint, you can use the hose attachment on your vacuum, or use a pole or wire with a feather duster or rag attached.

**STEP 3.** Reconnect vent as described in the "INSTALLATION INSTRUCTIONS" of this Owner's Manual.



### To remove accumulated lint from inside the dryer:

Lint can gather inside the dryer and be fuel for a fire. Lint should be removed every 2 to 3 years, or more often, depending on dryer usage. Cleaning should be done by a qualified person.

## MOVING CARE

- Disconnect power.
- Make sure leveling legs are secure in dryer base.
- Use masking tape to secure dryer door.

## VACATION CARE

- Disconnect power.
- Clean lint screen.

## TROUBLESHOOTING

### *for your* **Benefit**

Most laundering problems are easily solved if you understand the cause. Using the tables below will save you time and money by helping you avoid unnecessary service calls.

<b>Problem</b>	<b>Possible Cause</b>	<b>Solution</b>
<b>Not Drying Satisfactorily</b>	Lint screen is clogged with lint.	Clean lint screen.
	Restricted air movement. Exhaust vent or outside exhaust hood is clogged with lint.	Run dryer for 5-10 minutes. Hold hand under outside exhaust hood to check air movement. If you do not feel air moving, clean exhaust system of lint or replace exhaust vent with rigid metal or flexible heavy metal vent (see "INSTALLATION," Section D).
	Exhaust vent is crushed or kinked.	Replace with rigid metal or flexible heavy metal vent (see "INSTALLATION," Section D).
	One fuse is blown or circuit breaker is tripped. The dryer will appear to operate, but you will not get any heat.	Replace fuse or reset breaker.
	Fabric softener sheets blocking outlet grill.	Use only one softener sheet per load and only use it once.
	Dryer located in room with temperature below 45°F.	Move dryer where it can operate in ambient air temperatures above 45°F.
	Large amount of moisture in the load.	Expect longer dry times with items that hold more moisture (cottons).
	Cold rinse water used.	Expect longer dry times, but you are saving energy and reducing wrinkles.
	Load too large and bulky to dry quickly.	Separate load to tumble freely.
<b>Dryer Will Not Run</b>	Power cord not firmly plugged into a live circuit with proper voltage.	Plug power cord into a live circuit.
	Fuses blown or circuit breakers tripped.	Replace fuses or reset breakers.
	Using a regular fuse.	Replace with a time-delay fuse.
	Dryer door not firmly closed.	Close dryer door tightly.
	PUSH TO START Button not firmly pressed.	Press PUSH TO START Button again.
	Control not set in an ON position.	Reset control in an ON position.

<b>Problem</b>	<b>Possible Cause</b>	<b>Solution</b>
<b>Lint in Load</b>	Lint screen is clogged.	Clean lint screen. Check for air movement.
	Improper sorting.	Sort lint givers from lint takers and by color.
	Load is too big or heavy.	Dry smaller loads so lint can be carried to the lint screen.
	Load is overdried.	Use correct dryer settings for fabric. Overdrying can cause lint-attracting static (see "OPERATION").
	Paper or tissue in pockets.	Clean out pockets before drying.
	Pilling being mistaken for lint.	Pilling (surface fuzz) is caused by normal wear and laundering.
<b>Stains on Load</b>	Improper use of fabric softener in washer.	Use fabric softener sheets in dryer. Add at beginning of cycle when load is cold.
	Drying soiled items.	Items need to be clean before being dried.
<b>Items Shrinking</b>	Overdrying.	Match dryer settings to fabric type (see "OPERATION").
	Poor garment quality.	Check quality of garment before purchasing.
	Manufacturer's care label instructions not followed.	Follow fabric care label instructions carefully.
<b>Loads are Wrinkled</b>	Overloading.	Dry smaller loads that can tumble freely.
	Overdrying.	Match dryer settings to fabric type (see "OPERATION").
	Load left in dryer at the end of cycle.	Remove load as soon as tumbling stops.
<b>Odors</b>	Household chemicals, paint, or varnish being drawn into dryer.	Do not use dryer while these chemical fumes are in the air.
	First use of dryer element.	Will be gone after the first cycle.
<b>Unusual Sound</b>	Thumping of rollers when dryer has set.	Thump will go away after 5 minutes of drying.

# SEARS MAINTENANCE AGREEMENT

## ELECTRIC DRYERS

"We Service What We Sell" is our assurance that you can depend on Sears for service. Your Electric Dryer has added value when you consider that Sears has service units nationwide, staffed with professional technicians trained on all appliances Sears sells. They have the knowledge and skills, tools, parts, and equipment to ensure our pledge to you that "We Service What We Sell."

### Sears Maintenance Agreement

Maintain the value of your Electric Dryer with a Sears Maintenance Agreement. Galaxy™ Electric Dryers are designed, manufactured, and tested for years of dependable operation. Yet, any appliance may require service from time to time. The Sears Maintenance Agreement offers you an outstanding service program for your Electric Dryer.

### The Sears Maintenance Agreement

- Is your way to buy tomorrow's service at today's prices.
- Eliminates repair bills resulting from normal use.
- Allows for as many service calls as required.
- Provides an annual Preventive Maintenance Check at your request to keep your dryer in proper running condition.

**For more information,  
call 1-800-827-6655.**

**For in-home major brand repair service:**

Call 24 hours a day, 7 days a week

**1-800-4-MY-HOME<sup>SM</sup>** (1-800-469-4663)

**Para pedir servicio de reparación a domicilio – 1-800-676-5811**

In Canada for all your service and parts needs call  
Au Canada pour tout le service ou les pièces – **1-800-665-4455**

**For the repair or replacement parts you need:**

Call 6 am – 11 pm CST, 7 days a week

**PartsDirect<sup>SM</sup>**

**1-800-366-PART** (1-800-366-7278)

**Para ordenar piezas con entrega a domicilio – 1-800-659-7084**

**For the location of a Sears Parts and Repair Center in your area:**

Call 24 hours a day, 7 days a week

**1-800-488-1222**

**For information on purchasing a Sears Maintenance Agreement  
or to inquire about an existing Agreement:**

Call 9 am — 5pm, Monday — Saturday

**1-800-827-6655**

