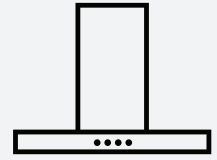




Thinking of you
Electrolux



.....
User manual

.....
Canopy rangehood

.....
ERCE9025BK
ERCE9025SA
ERCE9025BA



WE'RE THINKING OF YOU

Thank you for purchasing an Electrolux appliance. You've chosen a product that brings with it decades of professional experience and innovation. Ingenious and stylish, it has been designed with you in mind. So whenever you use it, you can be safe in the knowledge that you'll get great results every time. Welcome to Electrolux.

BEFORE USING YOUR APPLIANCE

Before you use the rangehood, we recommend that you read through the whole user manual which provides the description of the rangehood and its functions. To avoid the risks that are always present when you use an electrical appliance, it is important that the rangehood is installed correctly and that you read the safety instructions carefully to avoid misuse and hazards.

For future reference, please store this booklet in a safe place.

This rangehood is a domestic appliance which has been manufactured and tested to comply with Australian and New Zealand Standard AS/NZS 60335.2.31.

CONDITIONS OF USE

This appliance is intended to be used in household and similar applications such as:

- Staff kitchen areas in shops, offices and other working environments
- Farm houses
- By clients in hotels, motels and other residential type environments
- Bed and breakfast type environments.

BEFORE YOU CALL

Please ensure you read the instruction manual fully before you call for service, or a full service fee could be applicable.

RECORD MODEL AND SERIAL NUMBER HERE:

Model: _____

Serial No: _____

CONTENTS

- 3 **Important safety instructions**
- 4 **Product description**
- 5 **Dimensions**
- 6 **Rangehood installation**
- 9 **Using the rangehood**
- 9 **Maintenance and cleaning**
- 9 **Changing the halogen lamps**
- 10 **Optional ducting accessories**
- 11 **Warranty**

LEGEND

The symbols you will see in this booklet have these meanings:



WARNING!

This symbol indicates information concerning your personal safety



CAUTION!

This symbol indicates information on how to avoid damaging the rangehood



IMPORTANT!

This symbol indicates tips and information about use of the rangehood



ENVIRONMENT!

This symbol indicates tips and information about economical and ecological use of the rangehood.

IMPORTANT SAFETY INSTRUCTIONS

This manual explains the proper use of your new Electrolux rangehood. Please read this manual carefully before using the product. This manual should be kept in a safe place for handy reference.

This rangehood is a domestic appliance which has been manufactured and tested to comply with Australian and New Zealand Standard AS/NZS 60335.2.31.

CAUTION!






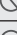
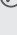






Meanings of symbols used in this manual are shown below:

 This symbol indicates never to do this

 This symbol indicates always do this

CAUTION!

Follow these instructions carefully to avoid an electric shock or fire.

	Young children should be supervised to ensure they do not play with the rangehood.
	This appliance is not intended for use by persons (including children) with reduced physical, sensory or mental capabilities, or lack of experience and knowledge, unless they have been given supervision or instruction concerning the use of the appliance by a person responsible for their safety.
	Ensure the rangehood is switched off before carrying out maintenance, to avoid any possibility of electric shock.
	Never carry out flambé cooking under the rangehood.
	This rangehood is not recommended for barbecues.
	This rangehood cannot be installed for external use.
	Grease filters must be removed every four weeks (maximum) for cleaning to reduce the risk of fire.
	The exhaust from the rangehood must not be discharged into any heating flue, which may carry combustion products from other sources. (Fig. 1)
	Exhaust air must not be discharged into a wall cavity, unless the cavity is designed for the purpose.
	There must be adequate ventilation of the room when the rangehood is used at the same time as appliances burning gas or other fuels.
	Always cover lit gas burners with pots or pans when rangehood is in use.
	Always switch off gas burners before you remove pots or pans.
	Do not leave lit gas burners exposed due to the risk of fire. (Fig. 2)

Electrical connection

Check that the mains voltage matches with the voltage on the data plate inside the rangehood. Check that the installation complies with standards of local building, gas and electrical authorities. Before connecting to the mains supply ensure that the mains voltage corresponds to the voltage on the rating plate inside the rangehood.

If the supply cord is damaged, it must be replaced by the manufacturer or its service agent or similarly qualified person in order to avoid a hazard.

Safety warnings – for the installer

When installing the rangehood, make sure you adhere to the minimum and maximum distances from the rangehood base to the hob surface (as shown on page 6).

Exhaust flue installation:

The following rules must be strictly followed to obtain optimal air extraction.

- Keep exhaust flue short and straight.
- Do not reduce the size or restrict exhaust flue.
- Keep bends in the exhaust flue to a minimum.
- When using flexible flue always install duct with helix pulled taut to minimise pressure loss.
- Failure to observe these basic instructions will drastically reduce the performance and increase the noise levels of the rangehood.

Exhaust air must not be discharged into a wall cavity, unless the cavity is designed for that purpose.

The exhaust from the rangehood must not be discharged into any heating flue, which may carry combustion products from other sources.

NOTE: Some installations may require the telescopic exhaust cover to be cut to length. Cut with sharp tin snips or a fine-tooth hack saw blade, taking care not to distort or dent the exhaust cover.

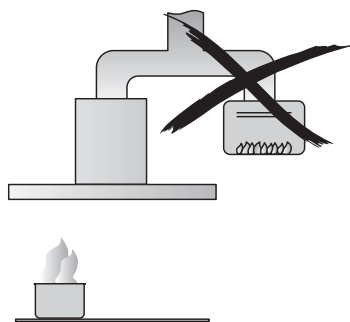


Fig. 1

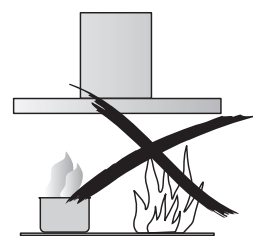
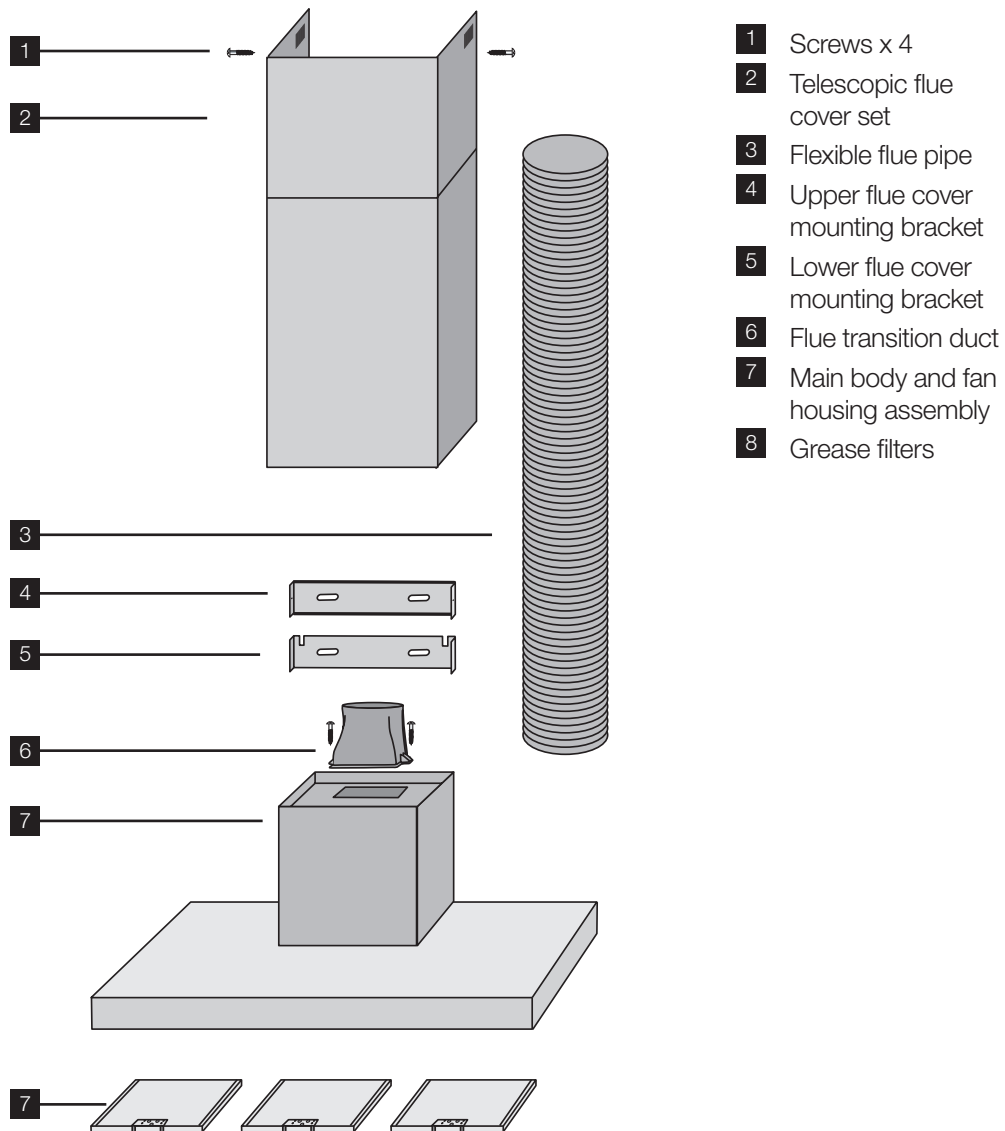


Fig. 2

PRODUCT DESCRIPTION



- 1 Screws x 4
- 2 Telescopic flue cover set
- 3 Flexible flue pipe
- 4 Upper flue cover mounting bracket
- 5 Lower flue cover mounting bracket
- 6 Flue transition duct
- 7 Main body and fan housing assembly
- 8 Grease filters

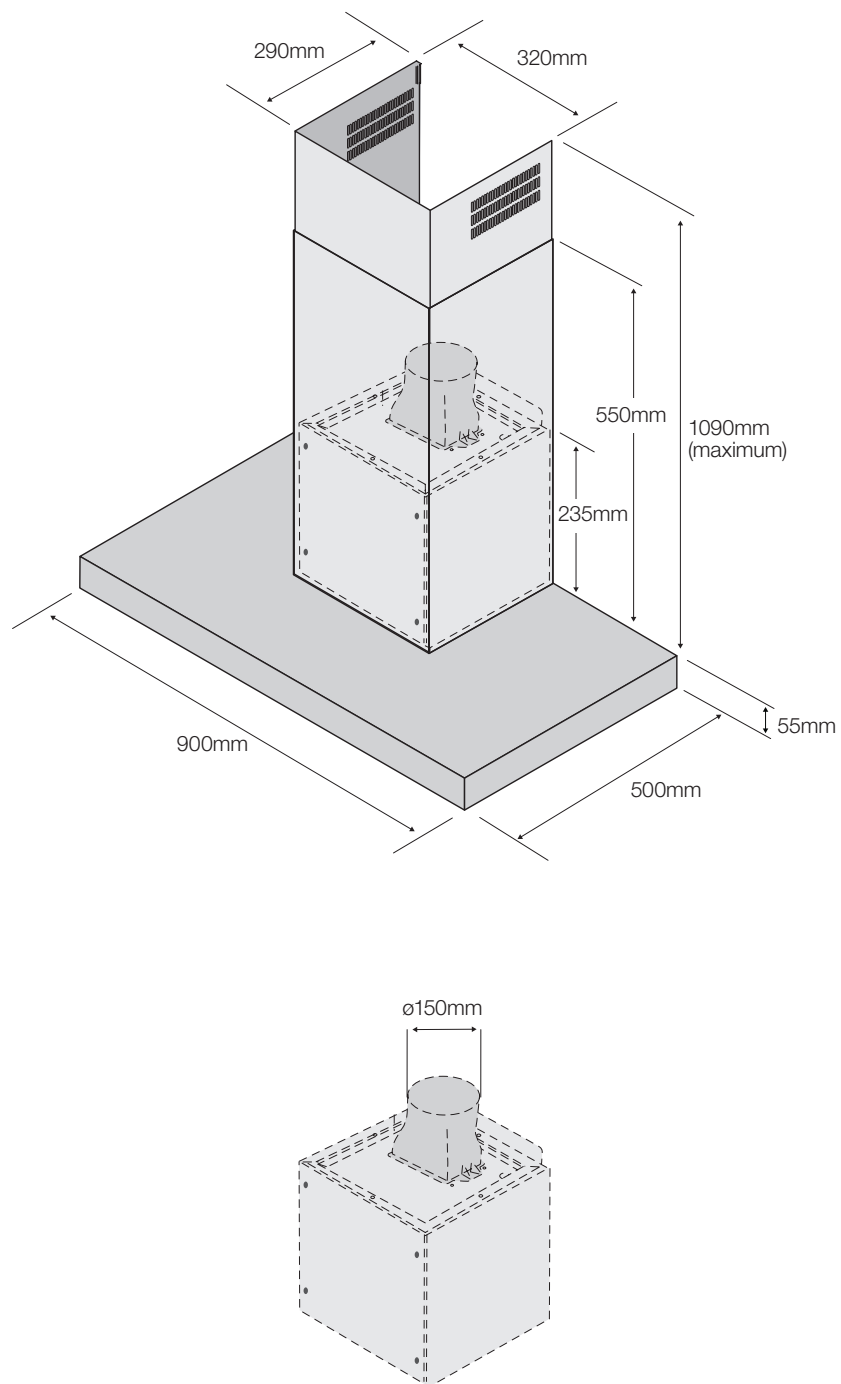
Additional items required for installation

- Fixings required to attach rangehood body and anti-tilt points.
- Fixings required to attach flue cover mounting brackets to the wall.
- Duct tape or cable ties.

Technical specification

Power supply: 220-240 Volts 50Hz.
Connects to 7.5A powerpoint.
Lights: 2 x 40 watt, 240 Volt halogen

DIMENSIONS



NOTE: The fan housing flue transition duct is 150mm in diameter. (See page 10 for optional ducting accessories).

Depending on the preferred installation/ducting mode, follow step 6a or 6b below.

- 6a. Recirculating mode (Fig. D). Using the centre line, secure the recirculating T-piece to the wall with suitable screws/fixings (optional kit AR610RK). Install flexible pipe between T-piece and the exhaust transition duct. Use cable ties or suitable duct tape to secure flexible pipe to T-piece and transition duct (Fig. F).

NOTE: When installed in recirculating mode, it is recommended to use a carbon filter (included in recirculation kit AR610RK) to prevent odours being emitted back into the room.

- 6b. Ducted mode (Fig E.) The rangehood has been supplied with flexible flue pipe and duct transition piece, alternatively a 150mm diameter non-combustible flue pipe can be used. Continue the centre line to the ceiling. Fit preferred flue pipe to the fan transition duct (Fig. F). Use cable ties or suitable duct tape to secure flexible pipe to the transition duct.

NOTE: For ducted mode, we recommend extending flue pipe through the roof to external "china hat" to vent exhaust externally. We do not recommend venting into ceiling cavity.

NOTE: To ensure optimum performance of the rangehood, the use of rigid ducting is recommended. The use of bends should be avoided. Rigid flexible ducting is suitable, although loose flexible ducting is unacceptable. All ducting must be fire retardant.

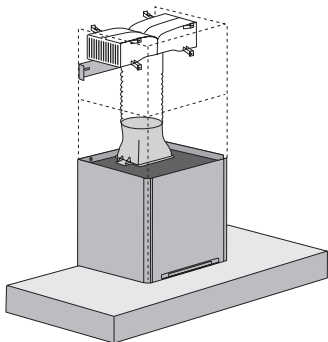


Fig. D

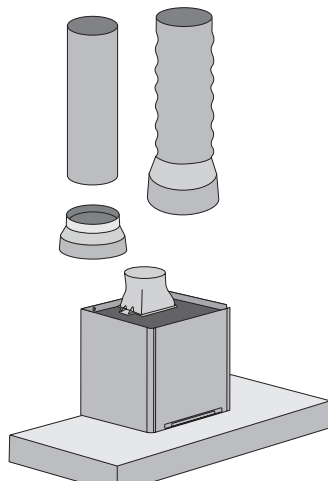


Fig. E

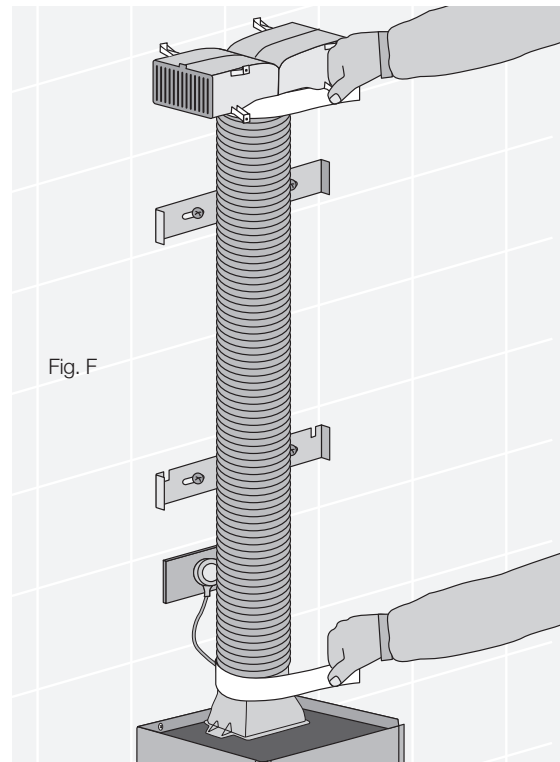
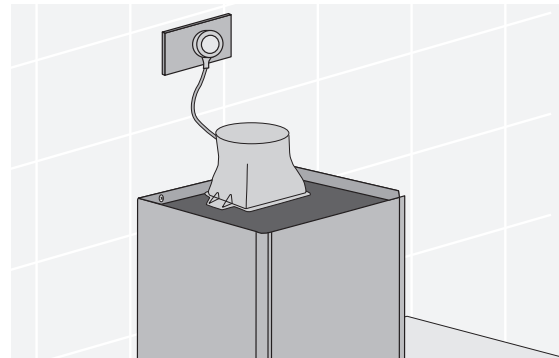


Fig. F



Electrical connection

Check that the installation complies with the standards of local building, gas and electrical authorities. Before connecting to the mains supply ensure that the mains voltage corresponds to the voltage on the rating plate inside the rangehood.

FLUE COVER INSTALLATION

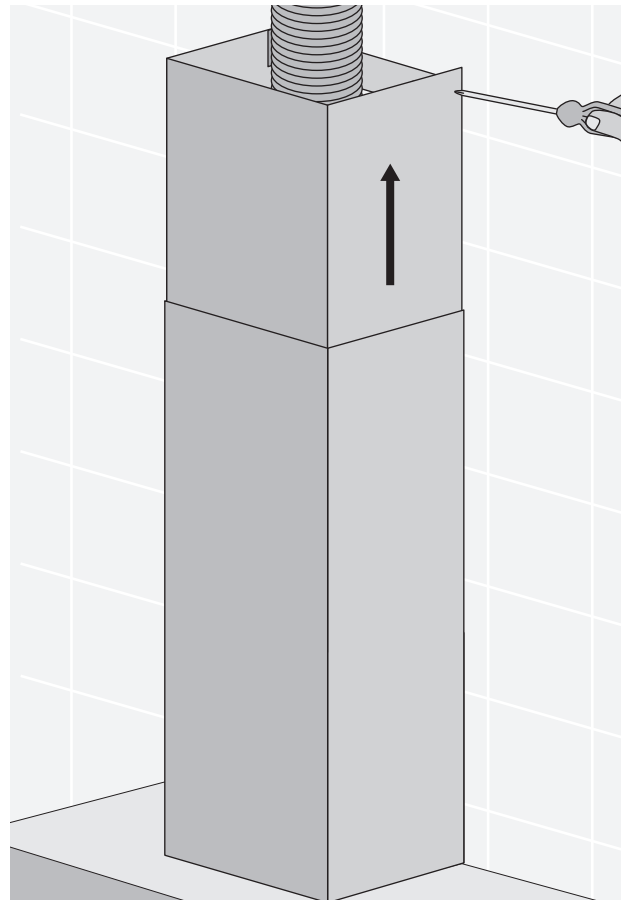
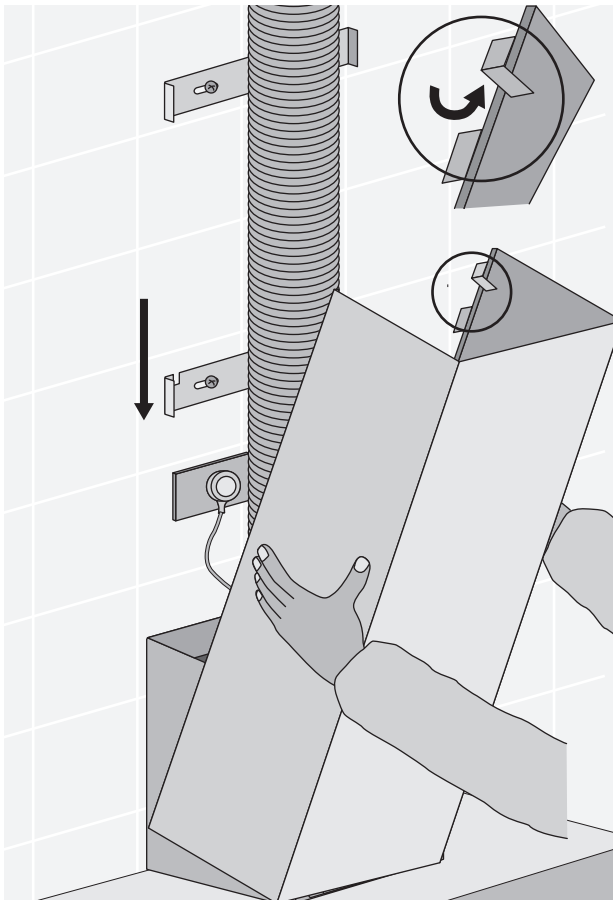
Separate the inner and outer flue covers, and carefully remove the protective coating from both. Carefully reassemble the upper and lower flue covers sections by sliding the inner into the outer flue cover. Carefully lower the assembled upper and lower flue covers onto the top of the rangehood body, and insert the flue cover in approximately 5mm. Fix upper flue cover to the wall mounting bracket with screws supplied. Ensure that the upper section is extended.

i IMPORTANT!

Care must be taken to ensure the screws are not cross threaded when attaching the upper flue cover.

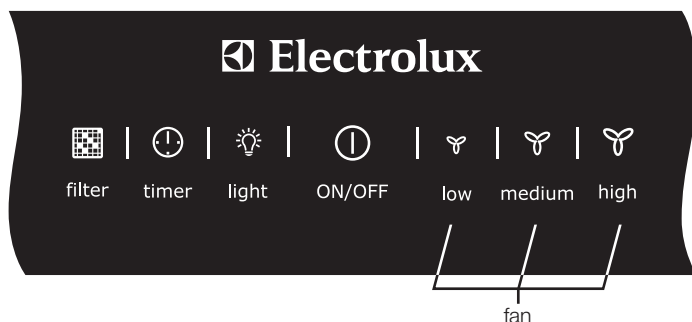
If installed in recirculating mode, insert the optional carbon filter (included in recirculation kit AR610RK).

To complete the rangehood installation, insert the three filters to the underside of the rangehood body. Place back edge of filter into position and push up front edge so that the filter clips into place. Your Electrolux rangehood is now ready to use.



USING THE RANGEHOOD

Touch control operation




Fan – select speed to suit cooking conditions

Low – light frying/boiling

Medium – frying/wok cooking/heavy boiling


High – grilling, intensive frying and wok cooking.

Switch lights ON and OFF

Touch the 'light' symbol  to turn the lights ON, if adjustment to light intensity is required continue to touch and hold until required brightness is achieved.

Touch 'light' symbol  again to turn the lights OFF.

Timer


At the end of cooking, if the timer  is switched on, the rangehood will continue to run for an additional 5 to 15 minutes, depending on the selected fan speed.

The fan speed is reduced in 5 minute increments until the rangehood turns itself OFF.

i.e. if the fan speed is set on high, it will run for 5 minutes then reduce to medium for 5 minutes, then reduce to low for 5 minutes before finally turning itself OFF.

This should ensure the removal of any odours that remain after cooking.

Filter

This is the indicator/switch  to show when the filter needs to be cleaned.

Once the filters are cleaned the "Filter" alert can be deactivated with a single touch.

MAINTENANCE AND CLEANING

CAUTION!

- **Before maintenance or cleaning is carried out, the rangehood should be disconnected from the main power supply. Ensure that the rangehood is switched off at the wall socket and the plug removed.**
- **External surfaces are susceptible to scratches and abrasions, so please follow the cleaning instructions to ensure the best possible result is achieved without damage.**
- **These instructions must be followed to avoid a risk of fire.**

Stainless steel surface

Clean stainless steel surfaces using non-abrasive cleaning products that are specifically for use on stainless steel.

To ensure best results also use an even pressure and follow the grain of the stainless steel. Use of a soft cloth reduces the risk of scratching. If the cloth is wet ensure that a dry soft cloth is used to wipe down the surface again reducing the risk of any surface rust appearing.

Control panel surface

The control panel can be cleaned using warm soapy water. Ensure the cloth is well wrung before cleaning. Use a dry soft cloth to remove any excess moisture left after cleaning.

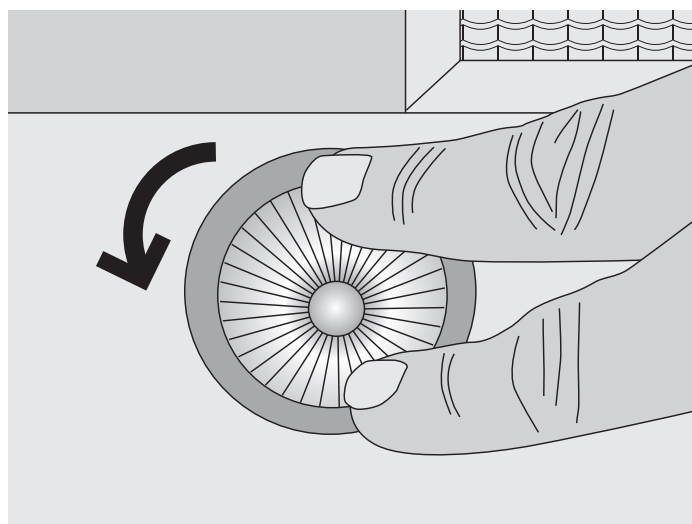
Cleaning grease filters

The mesh filters can be cleaned by hand in warm soapy water. Soak in warm water and some washing up liquid. For stubborn grease stains use a soft nylon brush to help remove these stains. After cleaning ensure that the filters are completely dry before refitting.

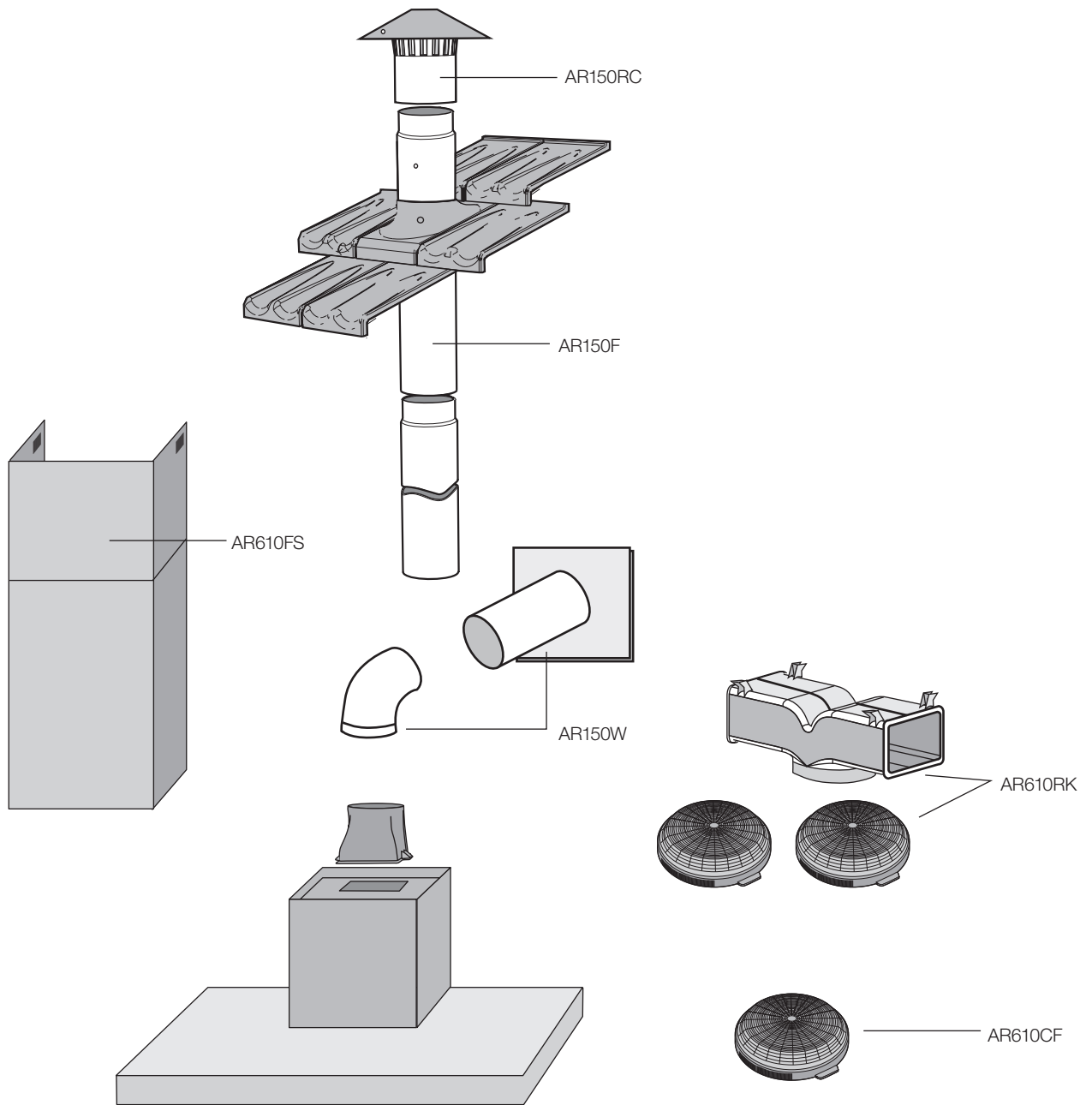
CHANGING THE HALOGEN LAMPS

Ensure lamp is cool before removing.

To remove the lamp, apply pressure to the lamp and turn anti-clockwise to unscrew and remove. Replace the lamp with one of similar type and voltage.



OPTIONAL DUCTING ACCESSORIES



Part Numbers	Description
AR150RC	150mm G/Bond roof cowl
AR150F	150mm G/Bond flue 1200mm
AR150WV	150mm Wall vent + flexi duct
AR610RK	Recirculating kit (tee piece and carbon filter)
AR610CF	Replacement carbon filter
AR610FS	Stainless steel exhaust cover extension 1200mm

NOTE: Accessories are to be purchased separately.



FOR SALES IN AUSTRALIA AND NEW ZEALAND
APPLIANCE: RANGEHOOD

This document sets out the terms and conditions of the product warranties for Electrolux Appliances. It is an important document. Please keep it with your proof of purchase documents in a safe place for future reference should you require service for your Appliance.

1. In this warranty
 - (a) 'acceptable quality' as referred to in clause 10 of this warranty has the same meaning referred to in the ACL;
 - (b) 'ACL' means Trade Practices Amendment (Australian Consumer Law) Act (No.2) 2010;
 - (c) 'Appliance' means any Electrolux product purchased by you accompanied by this document;
 - (d) 'ASC' means Electrolux' authorised service centres;
 - (e) 'Electrolux' means Electrolux Home Products Pty Ltd of 163 O'Riordan Street, Mascot, NSW 2020, ABN 51 004 762 341 in respect of Appliances purchased in Australia and Electrolux (NZ) Limited of 3-5 Niall Burgess Road, Mount Wellington, in respect of Appliances purchased in New Zealand;
 - (f) 'major failure' as referred to in clause 10 of this warranty has the same meaning referred to in the ACL and includes a situation when an Appliance cannot be repaired or it is uneconomic for Electrolux, at its discretion, to repair an Appliance during the Warranty Period;
 - (g) 'Warranty Period' means:
 - (i) where the Appliance is used for personal, domestic or household use (i.e. normal single family use) as set out in the instruction manual, the Appliance is warranted against manufacturing defects in Australia for 24 months and in New Zealand for 24 months, following the date of original purchase of the Appliance;
 - (ii) where the Appliance is used for commercial purposes (including being used to directly assist a business or where the Appliance is used in a multi-family communal or share type environment), the Appliance will then be warranted against manufacturing defects in Australia for 3 months and in New Zealand for 3 months, following the date of original purchase of the Appliance.
 - (h) 'you' means the purchaser of the Appliance not having purchased the Appliance for re-sale, and 'your' has a corresponding meaning.
2. This warranty only applies to Appliances purchased and used in Australia or New Zealand and is in addition to (and does not exclude, restrict, or modify in any way) any non-excludable statutory warranties in Australia or New Zealand.
3. During the Warranty Period Electrolux or its ASC will, at no extra charge if your Appliance is readily accessible for service, without special equipment and subject to these terms and conditions, repair or replace any parts which it considers to be defective. Electrolux or its ASC may use remanufactured parts to repair your Appliance. You agree that any replaced Appliances or parts become the property of Electrolux. This warranty does not apply to light globes, batteries, filters or similar perishable parts.
4. Parts and Appliances not supplied by Electrolux are not covered by this warranty.
5. You will bear the cost of transportation, travel and delivery of the Appliance to and from Electrolux or its ASC. If you reside outside of the service area, you will bear the cost of:
 - (a) travel of an authorised representative;
 - (b) transportation and delivery of the Appliance to and from Electrolux or its ASC,

In all instances, unless the Appliance is transported by Electrolux or an Electrolux authorised representative, the Appliance is transported at the owner's cost and risk while in transit to and from Electrolux or its ASC.
6. Proof of purchase is required before you can make a claim under this warranty.
7. You may not make a claim under this warranty unless the defect claimed is due to faulty or defective parts or workmanship. Electrolux is not liable in the following situations (which are not exhaustive):
 - (a) the Appliance is damaged by:
 - (i) accident
 - (ii) misuse or abuse, including failure to properly maintain or service
 - (iii) normal wear and tear
 - (iv) power surges, electrical storm damage or incorrect power supply
 - (v) incomplete or improper installation
 - (vi) incorrect, improper or inappropriate operation
 - (vii) insect or vermin infestation
 - (viii) failure to comply with any additional instructions supplied with the Appliance;
 - (b) the Appliance is modified without authority from Electrolux in writing;
 - (c) the Appliance's serial number or warranty seal has been removed or defaced;
 - (d) the Appliance was serviced or repaired by anyone other than Electrolux, an authorised repairer or ASC.
8. This warranty, the contract to which it relates and the relationship between you and Electrolux are governed by the law applicable where the Appliance was purchased. Where the Appliance was purchased in New Zealand for business purposes the Consumer Guarantee Act does not apply.
9. To the extent permitted by law, Electrolux excludes all warranties and liabilities (other than as contained in this document) including liability for any loss or damage whether direct or indirect arising from your purchase, use or non use of the Appliance.
10. For Appliances and services provided by Electrolux in Australia, the Appliances come with a guarantee by Electrolux that cannot be excluded under the Australian Consumer Law. You are entitled to a replacement or refund for a major failure and for compensation for any other reasonably foreseeable loss or damage. You are also entitled to have the Appliance repaired or replaced if the Appliance fails to be of acceptable quality and the failure does not amount to a major failure. The benefits to you given by this warranty are in addition to your other rights and remedies under a law in relation to the Appliances or services to which the warranty relates.
11. At all times during the Warranty Period, Electrolux shall, at its discretion, determine whether repair, replacement or refund will apply if an Appliance has a valid warranty claim applicable to it.
12. For Appliances and services provided by Electrolux in New Zealand, the Appliances come with a guarantee by Electrolux pursuant to the provisions of the Consumer Guarantees Act, the Sale of Goods Act and the Fair Trading Act.
13. To enquire about claiming under this warranty, please follow these steps:
 - (a) carefully check the operating instructions, user manual and the terms of this warranty;
 - (b) have the model and serial number of the Appliance available;
 - (c) have the proof of purchase (e.g. an invoice) available;
 - (d) telephone the numbers shown below.
14. You accept that if you make a warranty claim, Electrolux and its ASC may exchange information in relation to you to enable Electrolux to meet its obligations under this warranty.

Important Notice

Before calling for service, please ensure that the steps listed in point 13 above have been followed.

<p>FOR SERVICE or to find the address of your nearest state service centre in Australia PLEASE CALL 13 13 49 For the cost of a local call (Australia only)</p>	<p>SERVICE AUSTRALIA  Electrolux ELECTROLUX HOME PRODUCTS www.electrolux.com.au</p>	<p>FOR SPARE PARTS or to find the address of your nearest state spare parts centre in Australia PLEASE CALL 13 13 50 For the cost of a local call (Australia only)</p>
<p>FOR SERVICE or to find the address of your nearest state service centre in New Zealand FREE CALL 0800 10 66 10 (New Zealand only)</p>	<p>SERVICE NEW ZEALAND  Electrolux ELECTROLUX HOME PRODUCTS www.electrolux.co.nz</p>	<p>FOR SPARE PARTS or to find the address of your nearest state spare parts centre in New Zealand FREE CALL 0800 10 66 20 (New Zealand only)</p>

Electrolux Home Products Australia

telephone: 1300 363 640
fax: 1800 350 067
email: customercare@electrolux.com.au
web: www.electrolux.com.au

Electrolux Home Products New Zealand

telephone: 0800 234 234
fax: 0800 363 600
email: customercare@electrolux.co.nz
web: www.electrolux.co.nz

The Thoughtful Design Innovator.



Do you remember the last time you opened a gift that made you say "Oh! How did you know? That's exactly what I wanted!" That's the kind of feeling that the designers at Electrolux seek to evoke in everyone who chooses or uses one of our products. We devote time, knowledge, and a great deal of thought to anticipating and creating the kind of appliances that our customers really need and want.

This kind of thoughtful care means innovating with insight. Not design for design's sake, but design for the user's sake. For us, thoughtful design means making appliances easier to use and tasks more enjoyable to perform, freeing our customers to experience that ultimate 21st century luxury, ease of mind. Our aim is to make this ease of mind more available to more people in more parts of their everyday lives, all over the world. So when we say we're thinking of you, you know we mean just that.

The "Thinking of you" promise from Electrolux goes beyond meeting the needs of today's consumers. It also means we're committed to making appliances safe for the environment—now and for future generations.

Electrolux. Thinking of you.

Share more of our thinking at www.electrolux.com.au or www.electrolux.co.nz

P/No. 0342 001 597

Issue: B

© Copyright 2013 Electrolux Home Products Pty Ltd.
ABN 51 004 762 341

E_EBONY_RAN_UM_Jun13