

MICROWAVE OVEN

USER MANUAL

MOR17BSA-SS

Warning notices: Before using this product, please read this manual carefully and keep it for future reference. The design and specifications are subject to change without prior notice for product improvement. Consult with your dealer or manufacturer for details.

The diagram above is just for reference. Please take the appearance of the actual product as the standard.

THANK YOU LETTER

Thank you for choosing Midea! Before using your new Midea product, please read this manual thoroughly to ensure that you know how to operate the features and functions that your new appliance offers in a safe way.

CONTENTS

THANK YOU LETTER	EN-01
SAFETY INSTRUCTIONS	EN-02
SPECIFICATION	EN-11
PRODUCT OVERVIEW	EN-12
PRODUCT INSTALLATION	EN-13
OPERATION INSTRUCTIONS	EN-51
TROUBLESHOOTING	EN-61
TRADEMARKS, COPYRIGHTS AND LEGAL STATEMENT --	EN-62
DATA PROTECTION NOTICE	EN-63

SAFETY INSTRUCTIONS

Intended Use

The following safety guidelines are intended to prevent unforeseen risks or damage from unsafe or incorrect operation of the appliance. Please check the packaging and appliance on arrival to make sure everything is intact to ensure safe operation. If you find any damage, please contact the retailer or dealer. Please note modifications or alterations to the appliance are not allowed for your safety concern. Unintended use may cause hazards and loss of warranty claims.

Explanation of Symbols



Danger

This symbol indicates that there are dangers to the life and health of persons due to extremely flammable gas.



Warning of electrical voltage

This symbol indicates that there is a danger to life and health of persons due to voltage.



Warning

The signal word indicates a hazard with a medium level of risk which, if not avoided, may result in death or serious injury.



Caution

The signal word indicates a hazard with a low degree of risk which, if not avoided, may result in minor or moderate injury.



Attention

The signal word indicates important information (e.g. damage to property), but not danger.



Observe instructions

This symbol indicates that a service technician should only operate and maintain this appliance in accordance with the operating instructions.

Read these operating instructions carefully and attentively before using/commissioning the unit and keep them in the immediate vicinity of the installation site or unit for later use!

PRECAUTIONS TO AVOID POSSIBLE EXPOSURE TO EXCESSIVE MICROWAVE ENERGY

- a. Do not attempt to operate this oven with the door open since open door operation can result in harmful exposure to microwave energy. It is important not to defeat or tamper with the safety interlocks.
- b. Do not place any object between the oven front face and the door or allows soil or cleaner residue to accumulate on sealing surfaces.
- c. Do not operate the oven if it is damaged. It is particularly important that the oven door close properly and that there is no damage to the:
 - DOOR (bent)
 - HINGES AND LATCHES (broken or loosened)
 - DOOR SEALS AND SEALING SURFACES
- d. The oven should not be adjusted or repaired by anyone except properly qualified service personnel.

IMPORTANT SAFETY INSTRUCTIONS

When using electrical appliances basic safety precautions should be followed, including the following:

⚠ WARNING

To reduce the risk of burns, electric shock, fire, injury to persons or exposure to excessive microwave energy:

- Read all instructions before using the appliance.
- Read and follow the specific: " PRECAUTIONS TO AVOID POSSIBLE EXPOSURE TO EXCESSIVE MICROWAVE ENERGY " found on page 3.
- This appliance must be grounded. Connect only to properly grounded outlet. See " GROUNDING INSTRUCTIONS " found on page 7.
- Install or locate this appliance only in accordance with the provided installation instructions.
- Some products such as whole eggs and sealed containers - for example, closed glass jars - are able to explode and should not be heated in this oven.
- Use this appliance only for its intended use as described in the manual. Do not use corrosive chemicals or vapors in this appliance. This type of oven is specifically designed to heat, cook or dry food. It is not designed for industrial or laboratory use.
- As with any appliance, close supervision is necessary when used by children.
- Do not operate this appliance if it has a damaged cord or plug, if it is not working properly, or if it has been damaged or dropped.

- This appliance should be serviced only by qualified service personnel. Contact nearest authorized service facility for examination, repair, or adjustment.
- Do not cover or block any openings on the appliance.
- Do not store this appliance outdoors. Do not use this product near water - for example, near a kitchen sink, in a wet basement, near a swimming pool, or similar location.
- Do not immerse cord or plug in water.
- Keep cord away from heated surface.
- Do not let cord hang over edge of table or counter.
- When cleaning surfaces of door and oven that comes together on closing the door, use only mild, nonabrasive soaps, or detergent applied with a sponge or soft cloth.
- To reduce the risk of fire in the oven cavity:
 - Do not overcook food. Carefully attend appliance when paper, plastic, or other combustible materials are placed inside the oven to facilitate cooking.
 - Remove wire twist-ties from paper or plastic bag before placing bag in oven.
 - If material inside of the oven ignite, keep oven door closed, turn oven off, and disconnect the power cord, or shut off power at the fuse or circuit breaker panel.
 - Do not use the cavity for storage purposes. Do not leave paper products, cooking utensils, or food in the cavity when not in use.
- Liquids, such as water, coffee, or tea are able to be overheated beyond the boiling point without appearing to be boiling. Visible bubbling or boiling when the container is removed from the microwave oven is not always present.

THIS COULD RESULT IN VERY HOT LIQUID SUDDENLY BOILING OVER WHEN THE CONTAINER IS DISTURBED OR A UTENSIL IS INSERTED INTO THE LIQUID. To reduce the risk of injury to persons:

- Do not overheat the liquid.
- Stir the liquid both before and halfway through heating it.
- Do not use straight-sided containers with narrow necks.
- After heating, allow the container to stand in the microwave oven for a short time before removing the container.
- Use extreme care when inserting a spoon or other utensil into the container.
- Oversized food or oversized metal utensils should not be inserted in a microwave/toaster oven as they may create a fire or risk of electric shock.
- Do not clean with metal scouring pads. Pieces can burn off the pad and touch electrical parts involving a risk of electric shock.
- Do not use paper products when appliance is operated in the toaster mode.
- Do not store any materials, other than manufacturer's recommended accessories, in this oven when not in use.
- Do not cover racks or any other part of the oven with metal foil. This will cause overheating of the oven.
- Clean Ventilation Hoods Frequently - Grease should not be allowed to accumulate on hood or filter.
- When flaming foods under the hood, turn the fan on.
- Use care when cleaning the vent-hood filter. Corrosive cleaning agents, such as lyebased oven cleaners, may damage the filter.

- Suitable for use above both gas and electric cooking equipment.

SAVE THESE INSTRUCTIONS

GROUNDING INSTRUCTIONS

This appliance must be grounded. In the event of an electrical short circuit, grounding reduces the risk of electric shock by providing an escape wire for the electric current. This appliance is equipped with a cord having a grounding wire with a grounding plug. The plug must be plugged into an outlet that is properly installed and grounded.

⚠ WARNING

Improper use of the grounding can result in a risk of electric shock. Consult a qualified electrician or serviceman if the grounding instructions are not completely understood, or if doubt exists as to whether the appliance is properly grounded. If it is necessary to use an extension cord, use only a 3-wire extension cord that has a 3-blade grounded plug, and 3-slot receptacle that will accept the plug on the appliance. The marked rating of the extension cord shall be equal to or greater than the electrical rating of the appliance.

⚠ DANGER

Electric Shock Hazard

Touching some of the internal components can cause serious personal injury or death. Do not disassemble this appliance.

⚠ WARNING

Electric Shock Hazard

Improper use of the grounding can result in electric shock. Do not plug into an outlet until appliance is properly installed and grounded.

- A short power-supply cord is provided to reduce the risks resulting from becoming entangled in or tripping over a longer cord.
- Longer cord sets or extension cords are available and may be used if care is exercised in their use.
- If a long cord or extension cord is used:
 - The marked electrical rating of the cord set or extension cord should be at least as great as the electrical rating of the appliance.
 - The extension cord must be a grounding-type 3-wire cord.
 - The longer cord should be arranged so that it will not drape over the counter top or tabletop where it can be pulled on by children or tripped over unintentionally.

RADIO INTERFERENCE

- Operation of the microwave oven may cause interference to your radio, TV or similar equipment.
- When there is interference, it may be reduced or eliminated by taking the following measures:
 - Clean door and sealing surface of the oven
 - Reorient the receiving antenna of radio or television.
 - Relocate the microwave oven with respect to the receiver.
 - Move the microwave oven away from the receiver.

- Plug the microwave oven into a different outlet so that microwave oven and receiver are on different branch circuits.

THIS DEVICE COMPLIES WITH PART 18 OF THE FCC RULES.

UTENSILS

CAUTION

Personal Injury Hazard

Tightly-closed utensils could explode. Closed containers should be opened and plastic pouches should be pierced before cooking.

See the instructions on "Materials you can use in microwave oven or to be avoided in microwave oven." There may be certain non-metallic utensils that are not safe to use for microwaving. If in doubt, you can test the utensil in question following the procedure below.

Utensil Test:

- Fill a microwave-safe container with 1 cup of cold water (250ml) along with the utensil in question.
- Cook on maximum power for 1 minute.
- Carefully feel the utensil. If the empty utensil is warm, do not use it for microwave cooking.
- Do not exceed 1 minute cooking time.

Materials you can use in microwave oven

Utensils	Remarks
Browning dish	Follow manufacturer's instructions. The bottom of browning dish must be at least 3/16 inch (5mm) above the turntable. Incorrect usage may cause the turntable to break.
Dinnerware	Microwave-safe only. Follow manufacturer's instructions. Do not use cracked or chipped dishes.
Glass jars	Always remove lid. Use only to heat food until just warm. Most glass jars are not heat resistant and may break.
Glassware	Heat-resistant oven glassware only. Make sure there is no metallic trim. Do not use cracked or chipped dishes.
Oven cooking bags	Follow manufacturer's instructions. Do not close with metal tie. Make slits to allow steam to escape.
Paper plates and cups	Use for short-term cooking/warming only. Do not leave oven unattended while cooking.
Paper towels	Use to cover food for reheating and absorbing fat. Use with supervision for a short-term cooking only.
Parchment paper	Use as a cover to prevent splattering or a wrap for steaming.
Plastic	Microwave-safe only. Follow the manufacturer's instructions. Should be labeled "Microwave Safe". Some plastic containers soften, as the food inside gets hot. "Boiling bags" and tightly closed plastic bags should be slit, pierced or vented as directed by package.
Plastic wrap	Microwave-safe only. Use to cover food during cooking to retain moisture. Do not allow plastic wrap to touch food.
Thermometers	Microwave-safe only (meat and candy thermometers).
Wax paper	Use as a cover to prevent splattering and retain moisture.

Materials to be avoided in microwave oven

Utensils	Remarks
Aluminum tray	May cause arcing. Transfer food into microwave-safe dish.
Food carton with metal handle	May cause arcing. Transfer food into microwave-safe dish.
Metal or metal-trimmed utensils	Metal shields the food from microwave energy. Metal trim may cause arcing.
Metal twist ties	May cause arcing and could cause a fire in the oven.
Paper bags	May cause a fire in the oven.
Plastic foam	Plastic foam may melt or contaminate the liquid inside when exposed to high temperature.
Wood	Wood will dry out when used in the microwave oven and may split or crack.

SPECIFICATION

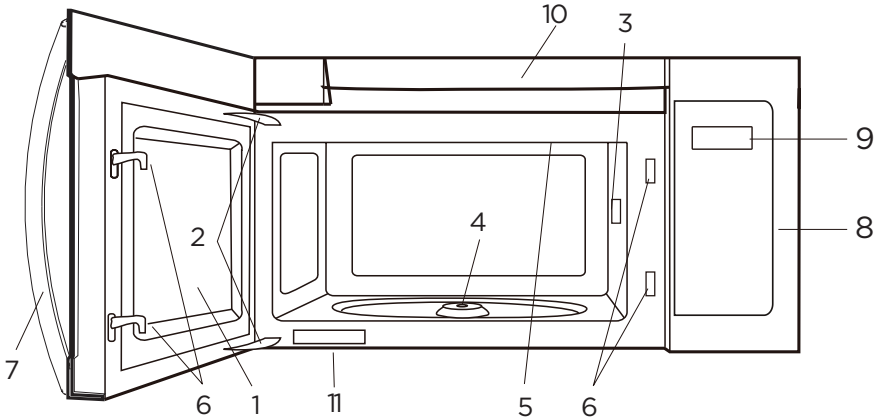
MODEL	MOR17BSA-SS
Power Supply	120 V- 60 Hz
Rated Input(Microwave)	1550 W
Rated Output(Microwave)	1000 W



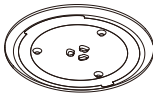
PRODUCT OVERVIEW

Setting Up Your Oven

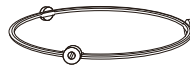
PART NAMES



1. Microwave oven door with see-through window
2. Door hinges
3. Waveguide cover: DO NOT REMOVE.
4. Turntable motor shaft
5. Microwave oven light
It will light when microwave oven is operating or door is open.
6. Safety door latches
The microwave oven will not operate unless the door is securely closed.
7. **Handle**
8. **Control panel**
9. **Display**
10. Ventilation openings
11. Rating label



Glass turntable



Turntable Ring Assembly

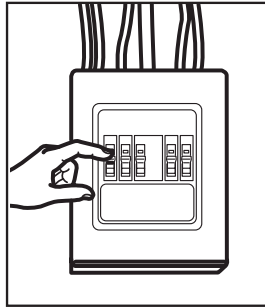
PRODUCT INSTALLATION

Important Safety Instructions

This product requires a three-prong grounded outlet. The installer must perform a ground continuity check on the power outlet box before beginning the installation to ensure that the outlet box is properly grounded. If not properly grounded, or if the outlet box does not meet electrical requirements noted (under ELECTRICAL REQUIREMENTS), a qualified electrician should be employed to correct any deficiencies.

CAUTION:

For personal safety, remove house fuse or open circuit breaker before beginning installation to avoid severe or fatal shock injury.



CAUTION:

For personal safety, the mounting surface must be capable of supporting the cabinet load, in addition to the added weight of this 63-85 pound (28.5-38.5 kg) product, plus additional oven loads of up to 50 pounds (22.7 kg) or a total weight of 113-135 pounds (51.3-61.2 kg).

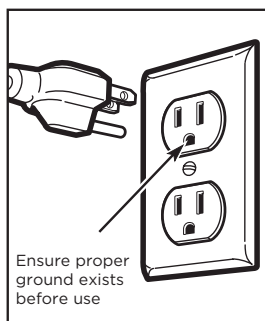
CAUTION:

For personal safety, this product cannot be installed in cabinet arrangements such as an island or a peninsula. It must be mounted to BOTH a top cabinet AND a wall.

NOTE:

For easier installation and personal safety, it is recommended that two people install this product.

IMPORTANT - PLEASE READ CAREFULLY. FOR PERSONAL SAFETY, THIS APPLIANCE MUST BE PROPERLY GROUNDED TO AVOID SEVERE OR FATAL SHOCK.



The power cord of this appliance is equipped with a three-prong (grounding) plug which mates with a standard three-prong (grounding) wall receptacle to minimize the possibility of electric shock hazard from this appliance.

You should have the wall receptacle and circuit checked by a qualified electrician to make sure the receptacle is properly grounded.

Where a standard two-prong wall receptacle is encountered, it is very important to have it replaced with a properly grounded three-prong wall receptacle, installed by a qualified electrician.

DO NOT, UNDER ANY CIRCUMSTANCES, CUT, DEFORM OR REMOVE ANY OF THE PRONGS FROM THE POWER CORD. DO NOT USE WITH AN EXTENSION CORD.

Electrical Requirements




Product rating is 120 volts AC, 60 Hertz, 15 amps and 1.55 kilowatts. This product must be connected to a separate and dedicated supply circuit of the proper voltage and frequency. Wire size must conform to the requirements of the National Electrical Code or the prevailing local code for this kilowatt rating. The power supply cord and plug should be brought to a separate and dedicated 20 ampere branch circuit single grounded outlet. The outlet box should be located in the cabinet above the microwave oven. The outlet box and supply circuit should be installed by a qualified electrician and conform to the National Electrical Code or the prevailing local code.

Damage—Shipment/Installation

1. If the unit is damaged in shipment, return the unit to the store in which it was bought for repair or replacement.
2. If the unit is damaged by the customer, repair or replacement is the responsibility of the customer.
3. If the unit is damaged by the installer (if other than the customer), repair or replacement must be made by arrangement between customer and installer.

Parts Included

HARDWARE PACKET


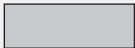

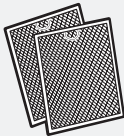
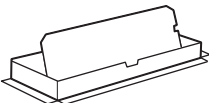
	PART	QUANTITY
	Wood Screws (1/4" x 2")	2
	Toggle Bolts (and wing nuts) (3/16" x 3")	2
	Self-Aligning Machine Screws (1/4"-28 x 3/4")	3
	Nylon Grommet (for metal cabinets)	1






You will find the installation hardware contained in a packet with the unit. Check to make sure you have all these parts.

NOTE:

Some extra parts are included.


ADDITIONAL PARTS

	PART	QUANTITY
	Top Cabinet Template	1
	Rear Wall Template	1
	User Manual	1
	Separately Packed Grease Filters	2
	Exhaust adaptor	1

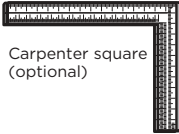
	Glass Tray	1
	Turntable Ring	1
For some models 	Convection wire rack	1
For some models 	Shelf	1
For some models 	PureAir® Microwave Filter	1

Tools You Will Need


1 Phillips screwdriver

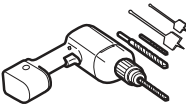

Pencil


Ruler or tape measure
and straight edge


Carpenter square
(optional)


Tin snips (for cutting
damper, if required)


Scissors
(to cut template,
if necessary)


Electric drill with $\frac{3}{16}$ " , $\frac{1}{2}$ " and $\frac{5}{8}$ "
drill bits




Gloves


Saw (saber, hole or keyhole)


Stud finder **or** Hammer (optional)

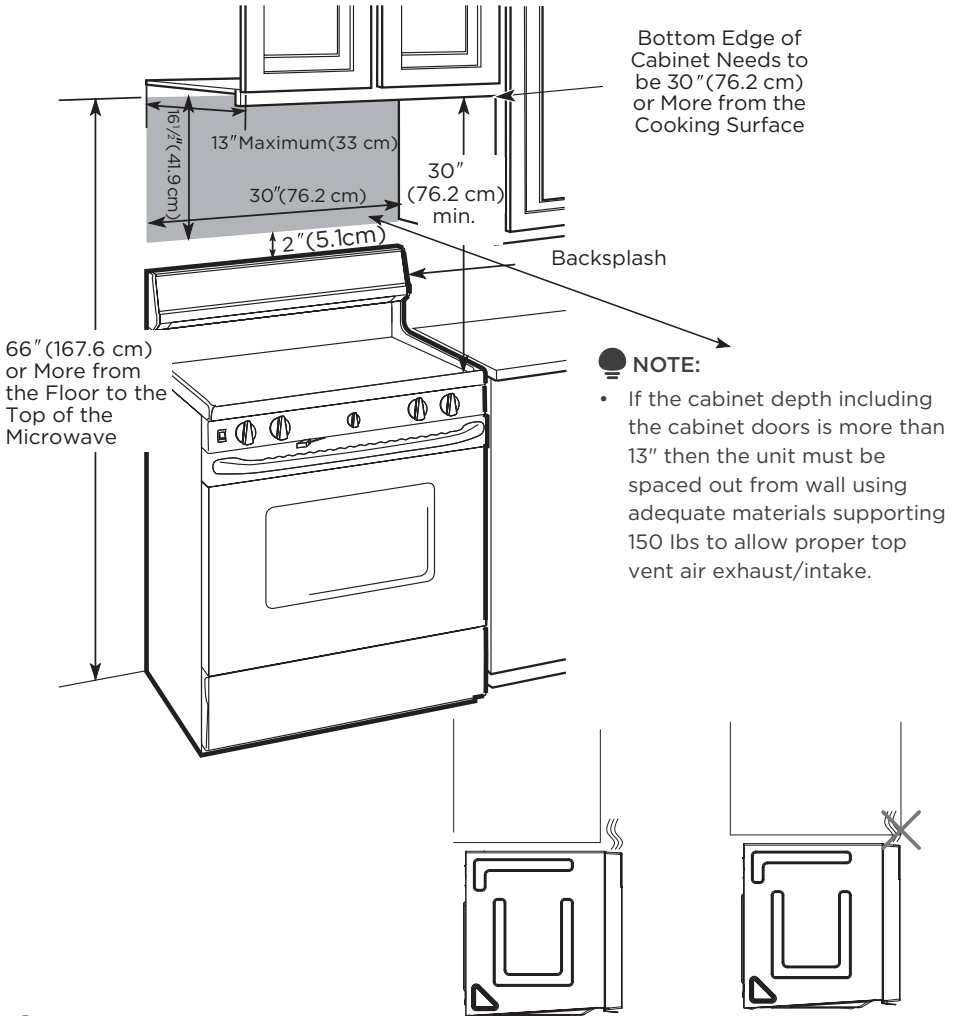
Filler blocks or scrap
wood pieces, if needed
for top cabinet spacing
(used on recessed bottom
cabinet installations only)


Safety goggles


Level


Duct and masking tape

MOUNTING SPACE

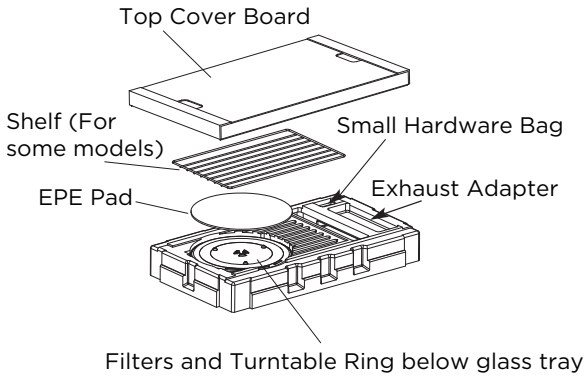


- NOTE:**
- The space between the cabinets must be 30" (76.2 cm) wide and free of obstructions.
 - If you are going to vent your microwave oven to the outside, see Hood Exhaust Section for exhaust duct preparation.
 - When installing the microwave oven beneath smooth, flat cabinets, be careful to follow the instructions on the top cabinet template for power cord clearance.
 - As a guide to installation, see page 25 for Mounting Template Information.

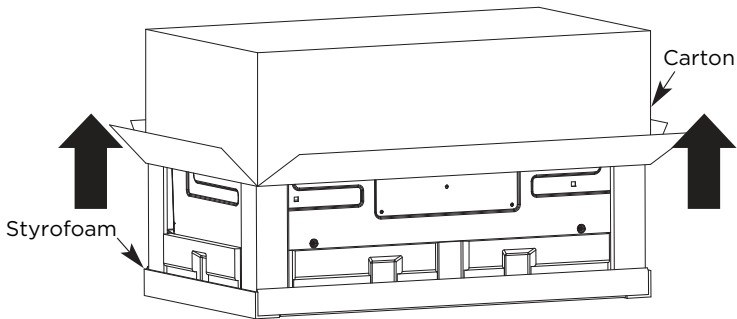
1. Placement Of The Mounting Plate

A. REMOVING THE MICROWAVE OVEN FROM THE CARTON/REMOVING THE MOUNTING PLATE

1. Remove the top cover board, installation instructions, use and care, exhaust adapter, turntable ring, shelf, filters, glass tray and the small hardware bag. Do not remove the Styrofoam protecting the front of the oven.

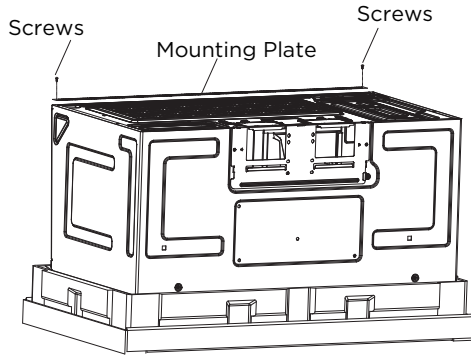


2. Fold back all 4 carton flaps fully against carton sides. Then carefully roll the oven and carton over onto the top side. The oven should be resting in the Styrofoam.



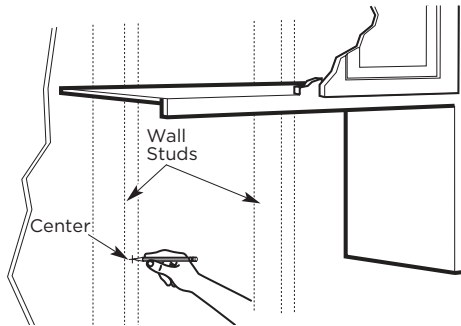
3. Pull the carton up and off the oven.

4. Cut the middle of the outer protective plastic bag to remove the mounting plate



5. Remove the screws from each end of the mounting plate. This plate will be used as the rear wall template and for mounting. Reinstall the screws into the holes where they were removed.

B. FINDING THE WALL STUDS

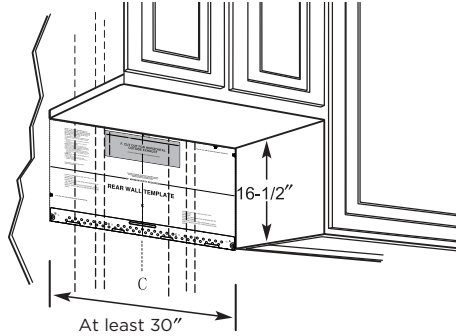


1. Find the studs, using one of the following methods:
 - Stud finder - a magnetic device which locates nails.
 - Use a hammer to tap lightly across the mounting surface to find a solid sound. This will indicate a stud location.
2. After locating the stud(s), find the center by probing the wall with a small nail to find the edges of the stud. Then place a mark halfway between the edges. The center of any adjacent studs should be 16" (40.6 cm) or 24" (61 cm) from this mark.
3. Draw a line down the center of the studs.

THE MICROWAVE MUST BE CONNECTED TO AT LEAST ONE WALL STUD.

C. DETERMINING WALL PLATE LOCATION UNDER YOUR CABINET

Plate position-beneath flat bottom cabinet



Draw a vertical line on the wall at the center of the 30" wide space.
Tape the Rear Wall Template onto the wall matching the centerline and touching the bottom of the cabinet.

Plate position-beneath recessed bottom cabinet with front overhang

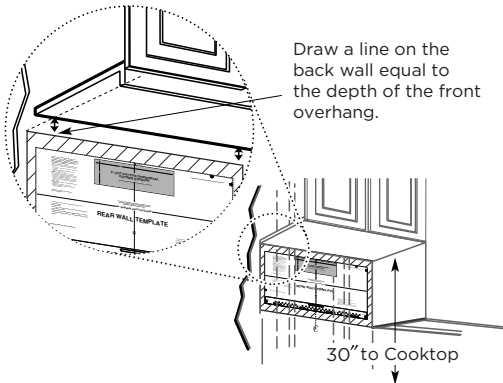
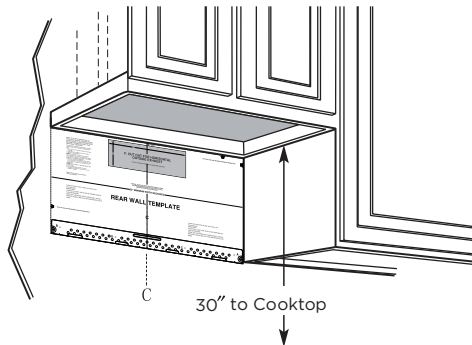


Plate position-beneath framed recessed cabinet bottom



Draw a vertical line on the wall at the center of the 30" space.
Tape the Rear Wall Template onto the wall matching the centerline and touching the bottom cabinet frame.

Your cabinets may have decorative trim that interferes with the microwave installation. Remove the decorative trim to install the microwave properly and to make it level.

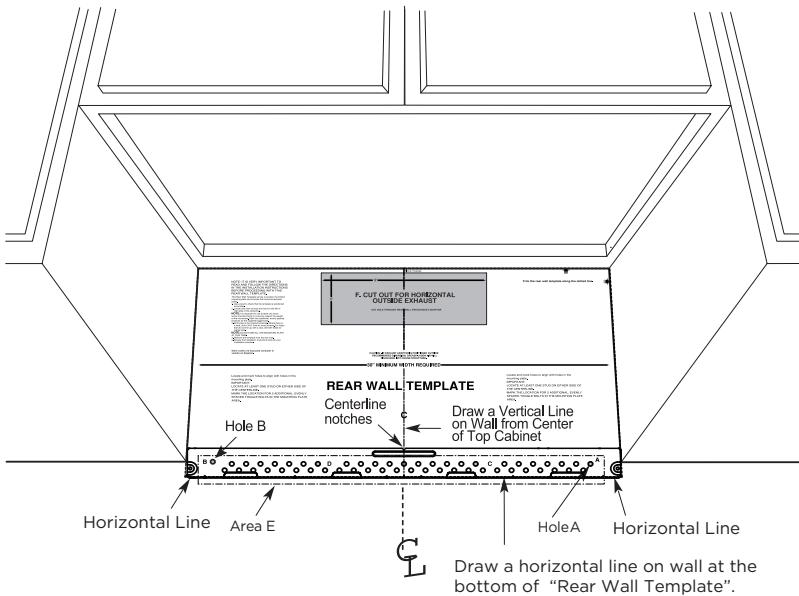
THE MICROWAVE MUST BE LEVEL.

Use a level to make sure the cabinet bottom is level.

If the cabinets have a front overhang only, with no back or side frame, install the mounting plate down the same distance as the front overhang depth. This will keep the microwave level.

1. Measure the inside depth of the front overhang.
2. Draw a horizontal line on the back wall an equal distance below the cabinet bottom as the inside depth of the front overhang.
3. For this type of installation with front overhang only, align the mounting tabs with this horizontal line, not touching the cabinet bottom as described in Step D.

D. ALIGNING THE WALL PLATE



CAUTION:

Wear gloves to avoid cutting fingers on sharp edges.

1. Draw a vertical line on the wall at the center of the 30" wide space.
2. Draw a horizontal line on the wall at the bottom of "Rear Wall Template".
3. Find a wall stud in area "E" of mounting plate Refer to section 1B. Finding the wall studs.
4. For attaching the mounting plate into stud drill a 3/16" hole into wood stud. Drill a 5/8" hole for toggle bolt in 1 other location (Hole A or Hole B)

NOTE:

DO NOT MOUNT THE PLATE AT THIS TIME.

NOTE:

Holes A and B are inside area E. If neither of Holes A and B are not in a stud, find a stud somewhere in area E and draw a circle to line up with the stud. It is important to have at least one wood screw mounted firmly in a stud to support the weight of the microwave. Set the mounting plate aside.

2. Installation Types (Choose A, B or C)

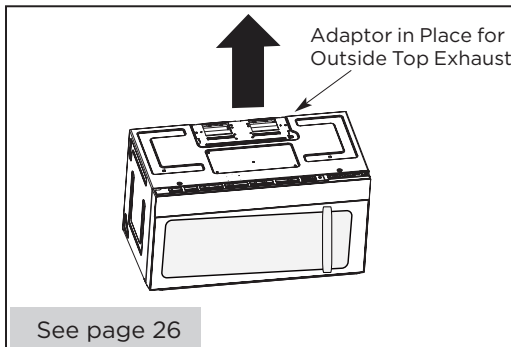
This microwave oven is designed for adaptation to the following three types of ventilation:

- A. Outside Top Exhaust (Vertical Duct)
- B. Outside Back Exhaust (Horizontal Duct)
- C. Recirculating (Non-Vented Ductless)

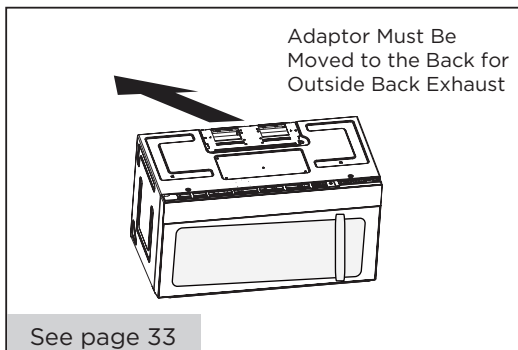
NOTE:

This microwave is shipped assembled for Recirculating. Select the type of ventilation required for your installation and proceed to that section.

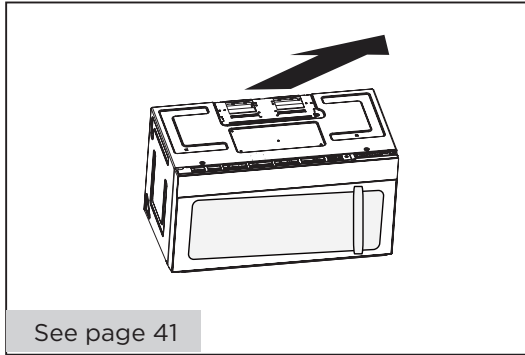
A. OUTSIDE TOP EXHAUST (VERTICAL DUCT)



B. OUTSIDE BACK EXHAUST (HORIZONTAL DUCT)



C. RECIRCULATING (NON-VENTED DUCTLESS)



Models are shipped for recirculating exhaust. Some models have a disposable charcoal filter installed to help remove smoke and odors.

NOTE:

Read the next two pages only if you plan to vent your exhaust to the outside. If you plan to recirculate the air back into the room, proceed to page 23-26.

Installation Instructions For External Exhaust Ducting

NOTE:

If you need to install ducts, note that the total duct length of $3\frac{1}{4}$ " x 10" (8.2 x 25.4 cm) rectangular or 5" (12.7 cm) diameter/ 6" (15.2 cm) diameter round duct should not exceed 120 equivalent feet (36.5 m).

Outside ventilation requires an EXTERNAL EXHAUST DUCT. Read the following carefully.

NOTE:

It is important that venting be installed using the most direct route and with as few elbows as possible. This ensures clear venting of exhaust and helps prevent blockages. Also, make sure dampers swing freely and nothing is blocking the ducts.

Exhaust connection:

The exhaust adaptor has been designed to mate with a standard $3\frac{1}{4}$ " x 10" (8.2 x 25.4 cm) rectangular duct.






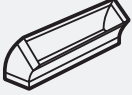


If a round duct is required, a rectangular-to-round transition adaptor must be used. A 5" (12.7 cm)/ 6" (15.2 cm) diameter duct is acceptable to use.

Maximum duct length:

For satisfactory air movement, the total duct length of $3\frac{1}{4}$ " x 10" (8.2 x 25.4 cm) rectangular or 5" (12.7 cm) diameter/ 6" (15.2 cm) diameter round duct should not exceed 120 equivalent feet (36.5 m).

Elbows, transitions, wall and roof caps, etc., present additional resistance to airflow and are equivalent to a section of straight duct which is longer than their actual physical size. When calculating the total duct length, add the equivalent lengths of all transitions and adaptors plus the length of all straight duct sections. The chart below shows you how

to calculate total equivalent ductwork length using the approximate feet of equivalent length of some typical ducts.

DUCT PIECES		EQUIVALENT LENGTH	x	NUMBER USED	=	EQUIVALENT LENGTH	
	Rectangular-to-Round Transition Adaptor*	5 Ft. (1.5 m)	x	()	=	Ft. or m	
	Wall Cap	40 Ft. (12.2 m)	x	()	=	Ft. or m	
	90° Elbow	10 Ft. (3 m)	x	()	=	Ft. or m	
	45° Elbow	5 Ft. (1.5 m)	x	()	=	Ft. or m	
	90° Elbow	25 Ft. (7.6 m)	x	()	=	Ft. or m	
	45° Elbow	5 Ft. (1.5 m)	x	()	=	Ft. or m	
	Roof Cap	24 Ft. (7.3 m)	x	()	=	Ft. or m	
	Straight Duct 6" (15.2 cm) Round or 3 1/4" x 10" (8.2 x 25.4 cm Rectangular)	1 Ft. (0.3 m)	x	()	=	Ft. or m	
					Total Ductwork	=	Ft. or m



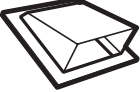


* IMPORTANT: If a rectangular-to-round transition adaptor is used, the bottom corners of the damper will have to be cut to fit, using the tin snips, in order to allow free movement of the damper.

Equivalent lengths of duct pieces are based on actual tests and reflect requirements for good venting performance with any vent hood.

External Exhaust Ducting

OUTSIDE TOP EXHAUST (EXAMPLE ONLY)

The following chart describes an example of one possible ductwork installation.



DUCT PIECES	EQUIVALENT LENGTH	x	NUMBER USED	=	EQUIVALENT LENGTH
 Roof Cap	24 Ft. (7.3 m)	x	(1)	=	24 Ft. (7.3 m)
 12 Ft. (3.6 m) Straight Duct (6"/15.2 cm Round)	12 Ft. (3.6 m)	x	(1)	=	12 Ft. (3.6 m)
 Rectangular-to-Round Transition Adaptor*	5 Ft. (1.5 m)	x	(1)	=	5 Ft. (1.5 m)
Equivalent lengths of duct pieces are based on actual tests and reflect requirements for good venting performance with any vent hood.			Total Length	=	41 Ft. (12.5 m)




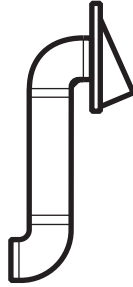
* IMPORTANT: If a rectangular-to-round transition adaptor is used, the bottom corners of the damper will have to be cut to fit, using the tin snips, in order to allow free movement of the damper.

OUTSIDE BACK EXHAUST (EXAMPLE ONLY)

The following chart describes an example of one possible ductwork installation.

DUCT PIECES	EQUIVALENT LENGTH	x	NUMBER USED	=	EQUIVALENT LENGTH
 Wall Cap	40 Ft. (12.2 m)	x	(1)	=	40 Ft. (12.2 m)
 3 Ft. Straight Duct (3 1/4" x 10"/8.2 x 25.4 cm Rectangular)	3 Ft. (0.9 m)	x	(1)	=	3 Ft. (0.9 m)

	90° Elbow	10 Ft. (3 m)	x	(2)	=	20 Ft. (3 m)	
Equivalent lengths of duct pieces are based on actual tests and reflect requirements for good venting performance with any vent hood.					Total Length	=	63 Ft. (19.2 m)



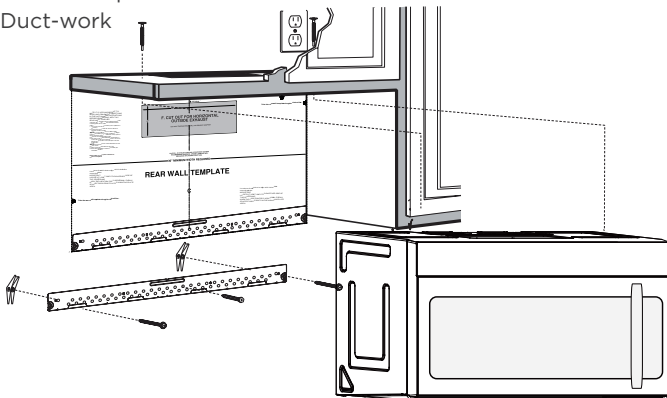
NOTE:

For back exhaust, care should be taken to align exhaust with space between studs, or wall should be prepared at the time it is constructed by leaving enough space between the wall studs to accommodate exhaust.

A. OUTSIDE TOP EXHAUST (Vertical Duct)

INSTALLATION OVERVIEW

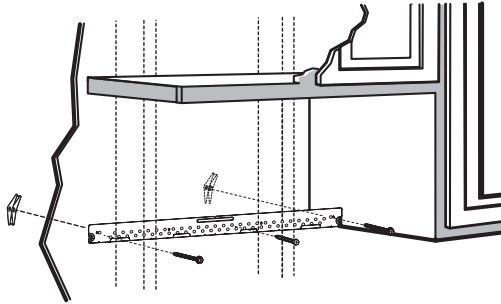
- A1. Attach Mounting Plate to wall
- A2. Prepare Top Cabinet
- A3. Configure Microwave Blower for Outside / Top Exhaust
- A4. Check Damper Operation
- A5. Mount Microwave Oven
- A6. Adjust Exhaust Adapter
- A7. Connect Duct-work



IMPORTANT NOTES:

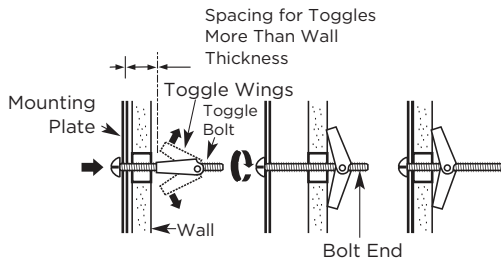
1. Make sure the screws for the Blower Motor and Blower Plate are securely tight-ened when they are installed. This will help to prevent excessive vibration.
2. Make sure the Motor wiring has been properly routed and secured, and that the wires are not pinched.

A1. ATTACH THE MOUNTING PLATE TO THE WALL



- Attach the plate to the wall using toggle bolts.
 - At least one wood screw must be used to attach the plate to a wall stud.
1. Remove the toggle wings from the bolts
 2. Insert the bolts into the mounting plate through the holes designated to go into drywall and reattach the toggle wings to 3/4" (19mm) onto each bolt.

To use toggle bolts:



3. Place the mounting plate against the wall and insert the toggle wings into the holes in the wall to mount the plate.

NOTE:

Before tightening toggle bolts and wood screw, make sure the bottom of the mounting plate touches the bottom of the cabinet when pushed flush against the wall and the plate is properly centered under the cabinet.

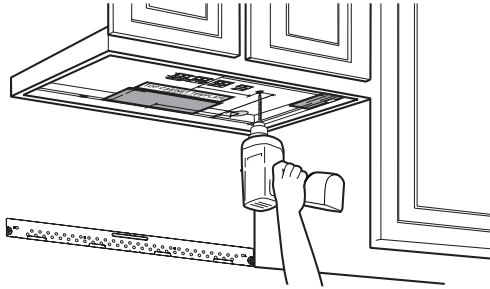
CAUTION:

Be careful and avoid pinching fingers between the back of the mounting plate and the wall.

4. Tighten all bolts. Pull the plate away from the wall to help tighten the bolts.

A2. USE TOP CABINET TEMPLATE FOR PREPARATION OF TOP CABINET

You need to drill holes for the top support screws, a hole large enough for the power cord to fit through, and a cutout large enough for the exhaust adaptor.



1. Read the instructions on the TOP CABINET TEMPLATE.
2. Tape it underneath the top cabinet.
3. Drill the holes, following the instructions on the TOP CABINET TEMPLATE.

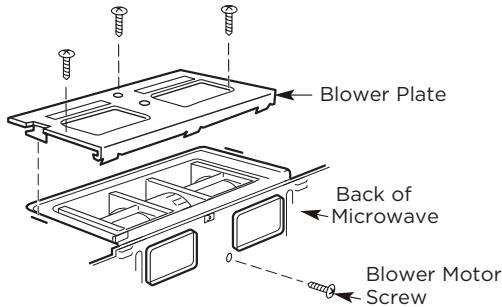


CAUTION:

Wear safety goggles when drilling holes in the cabinet bottom.

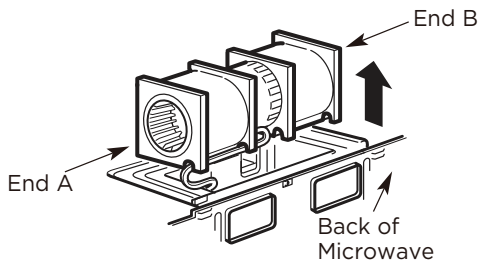
A3. ADAPTING MICROWAVE BLOWER FOR OUTSIDE TOP EXHAUST

1. Place the microwave in its upright position, with the top of the unit facing up.

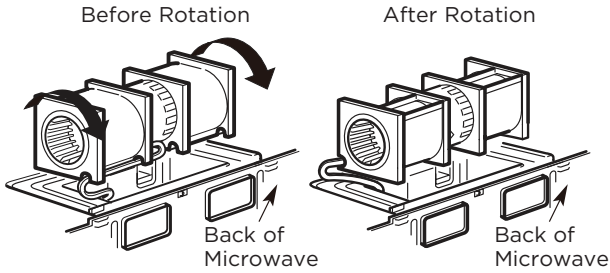


Remove the screw that holds the blower plate to the microwave. Remove and save the screw holding the blower motor to the microwave.

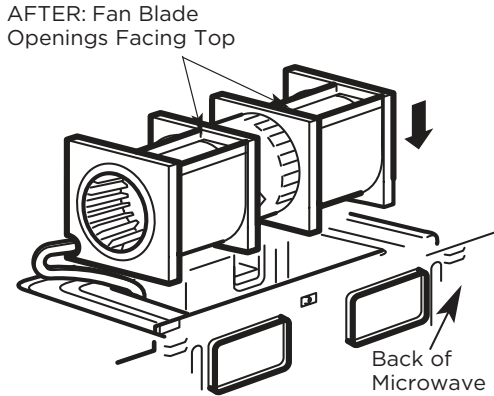
2. Carefully pull out the blower unit. The wires will extend far enough to allow you to adjust the blower unit.



3. Roll the blower unit 90° so that fan blade openings are facing out the top of the microwave.



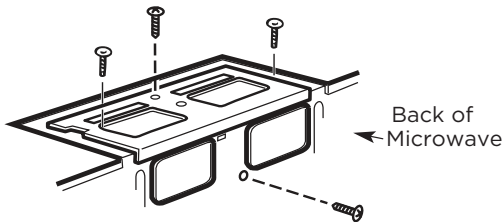
4. Place the blower unit back into the opening.



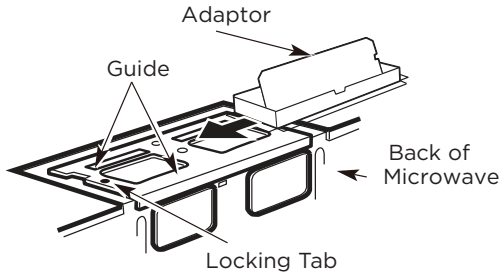
⚠ CAUTION:

Do not pull or stretch the blower unit wiring. Make sure the wires are not pinched, and that they are properly secured.

5. Secure blower unit to microwave with the screw removed in Step 1. Make sure the screw is tight.
6. Replace blower plate with the screw removed in Step 1. Make sure the screw is tight.

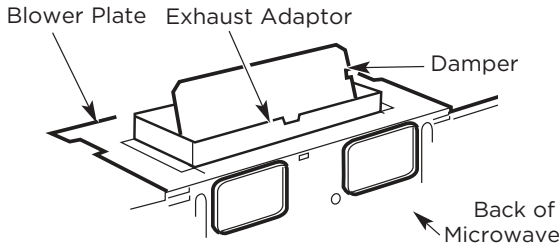


7. Attach the exhaust adaptor to the top of the blower plate by sliding it into the guides of the blower plate.



Push in securely until it is in the locking tabs. Take care to assure that the damper hinge is installed so that the damper swings freely.

A4. CHECK FOR PROPER DAMPER OPERATION



- Make sure tape securing damper is removed and damper pivots easily before mounting microwave.
- You will need to make adjustments to assure proper alignment with your house exhaust duct after the microwave is installed.

A5. MOUNT THE MICROWAVE OVEN



FOR EASIER INSTALLATION AND PERSONAL SAFETY, WE RECOMMEND THAT TWO PEOPLE INSTALL THIS MICROWAVE OVEN.

IMPORTANT: Do not grip or use the handle or heat shield during installation. Do not remove the cardboard spacers between the heat shield and door.

NOTE:

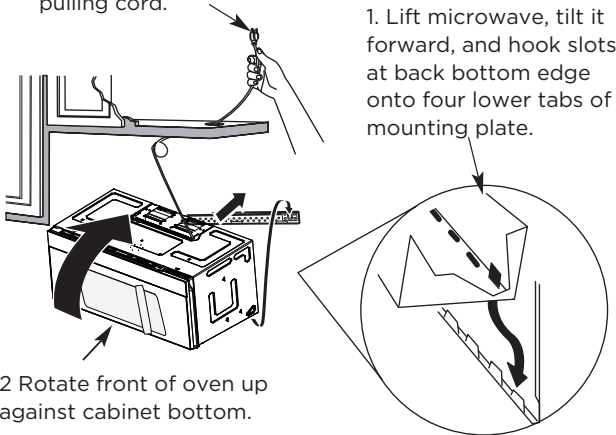
If your cabinet is metal, use the nylon grommet around the power cord hole to prevent cutting of the cord.

NOTE:

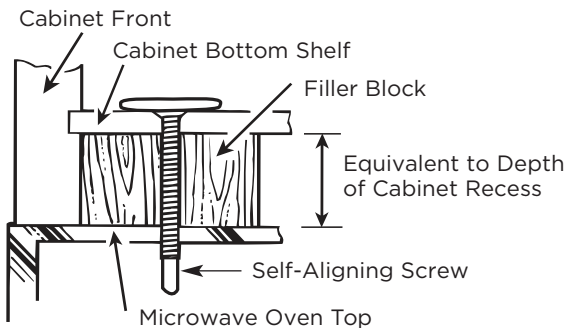
We recommend using filler blocks if the cabinet front hangs below the cabinet bottom shelf.

IMPORTANT: If filler blocks are not used, case damage may occur from overtightening screws.

NOTE: When mounting the microwave oven, thread power cord through hole in bottom of top cabinet. Keep it tight throughout steps 1-3. Do not pinch cord or lift oven by pulling cord.

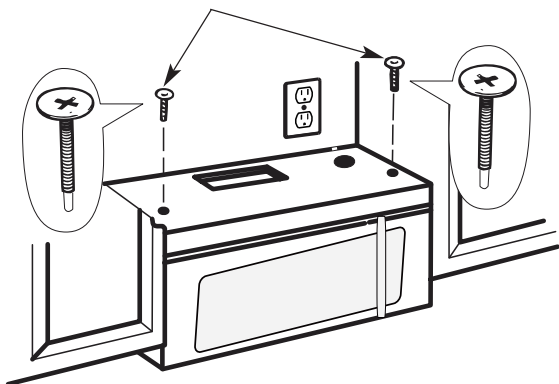


3. Insert a self-aligning screw through top center cabinet hole. Temporarily secure the oven by turning the screw at least two full turns after the threads have engaged. (It will be completely tightened later.) Be sure to keep power cord tight. Be careful not to pinch the cord, especially when mounting flush to bottom of cabinet.

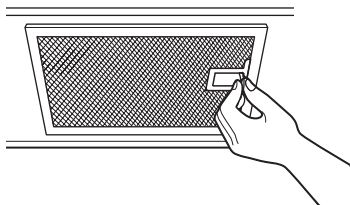


4. Attach the microwave oven to the top cabinet.

5. Insert 2 self-aligning screws through outer top cabinet holes. Turn two full turns on each screw.



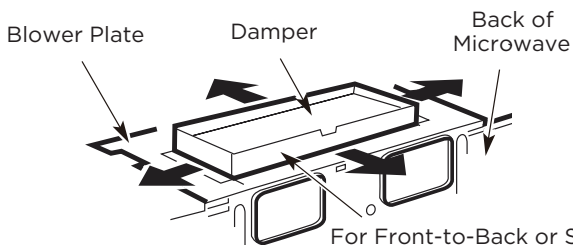
6. Tighten the outer two screws to the top of the microwave oven. (While tightening screws, hold the microwave oven in place against the wall and the top cabinet.)



7. Install grease filters. See the Use & Care Guide packed with the microwave.

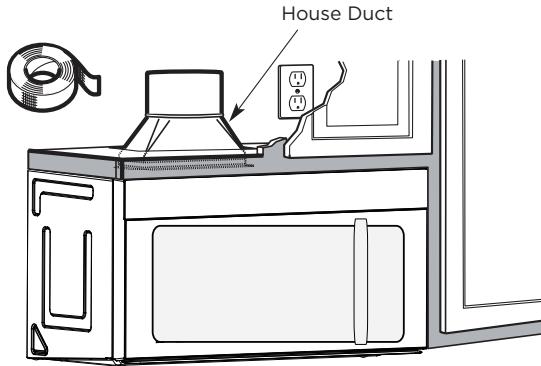
A6. ADJUST THE EXHAUST ADAPTOR

Open the top cabinet and adjust the exhaust adaptor to connect to the house duct.



For Front-to-Back or Side-to-Side Adjustment, Slide the Exhaust Adaptor as Needed

A7. CONNECTING DUCTWORK

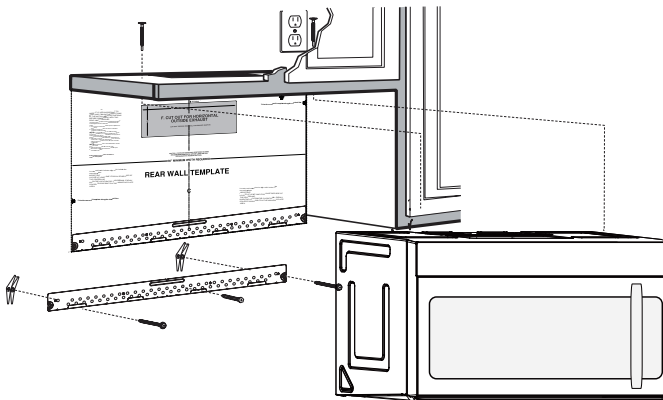


1. Extend the house duct down to connect to the exhaust adapter.
2. Seal exhaust duct joints using furnace duct tape for high temperature applications

B. OUTSIDE BACK EXHAUST (Horizontal Duct)

INSTALLATION OVERVIEW

- B1. Prepare Rear Wall
- B2. Remove Blower Plate
- B3. Attach Mounting Plate to Wall
- B4. Prepare Top Cabinet
- B5. Adjust Blower
- B6. Mount the Microwave Oven



IMPORTANT NOTES:

1. Make sure the screws for the blower motor and blower plate are securely tightened when they are reinstalled. This will help pre-vent excessive vibration.
2. Make sure the motor wiring has been properly routed and se-cured and that the wires are not pinched.

B1. PREPARING THE REAR WALL FOR OUTSIDE BACK EXHAUST

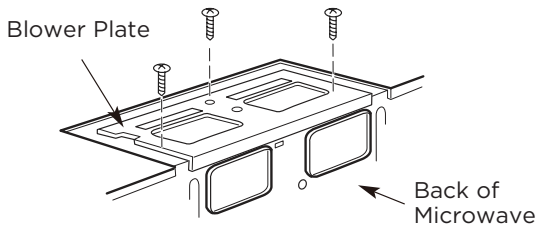
You need to cut an opening in the rear wall for outside exhaust.



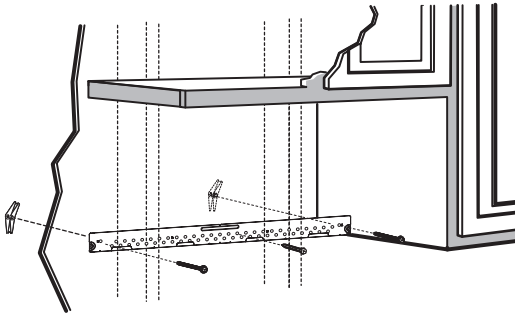
1. Read the instructions on the REAR WALL TEMPLATE. Tape it to the rear wall.
2. Cut the opening, following the instructions of the
3. REAR WALL TEMPLATE.

B2. REMOVE BLOWER PLATE

Remove and save the screw that holds the blower plate to the microwave. Lift off the blower plate.



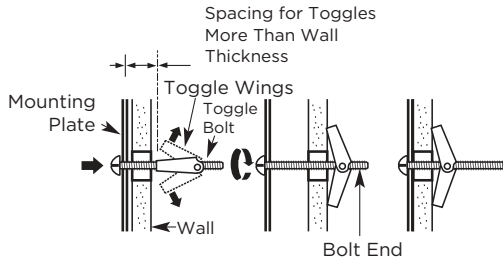
B3. ATTACH THE MOUNTING PLATE TO THE WALL



Attach the plate to the wall using toggle bolts. At least one wood screw must be used to attach the plate to a wall stud.

1. Remove the toggle wings from the bolts.
2. Insert the bolts into the mounting plate through the holes designated to go into drywall and reattach the toggle wings to 3/4" (19 mm) onto each bolt.

To use toggle bolts:



3. Place the mounting plate against the wall and insert the toggle wings into the holes in the wall to mount the plate.

NOTE:

Before tightening toggle bolts and wood screw, make sure the bottom of the mounting plate touch the bottom of the cabinet when pushed flush against the wall and that the plate is properly centered under the cabinet.

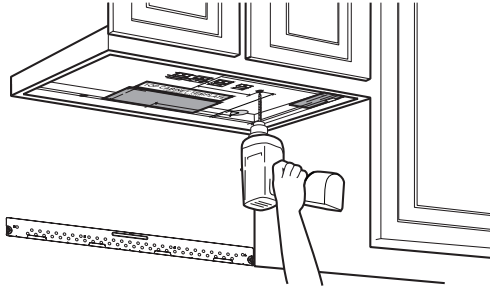
CAUTION:

Be careful to avoid pinching fingers between the back of the mounting plate and the wall.

4. Tighten all bolts. Pull the plate away from the wall to help tighten the bolts.

B4. USE TOP CABINET TEMPLATE FOR PREPARATION OF TOP CABINET

You need to drill holes for the top support screws and a hole large enough for the power cord to fit through.



1. Read the instructions on the TOP CABINET TEMPLATE.
2. Tape it underneath the top cabinet.
3. Drill the holes, following the instructions on the TOP CABINET TEMPLATE.

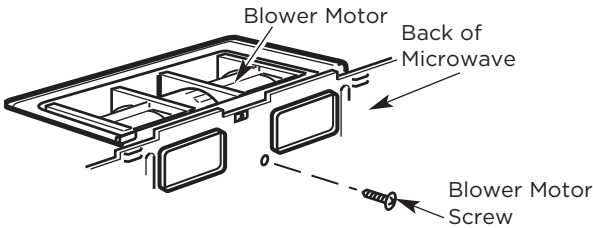


CAUTION:

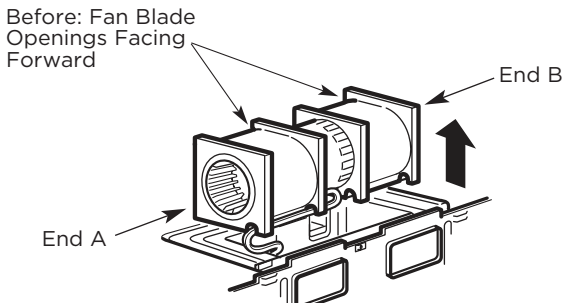
Wear safety goggles when drilling holes in the cabinet bottom.

B5. ADAPTING MICROWAVE BLOWER FOR OUTSIDE BACK EXHAUST

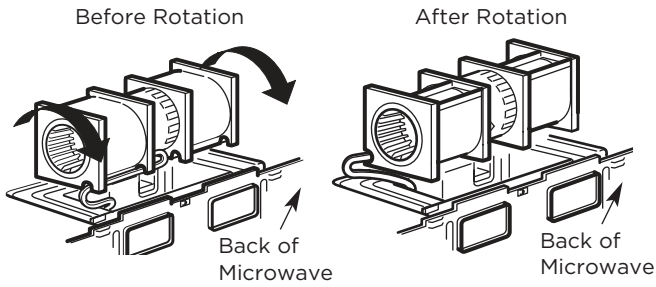
1. Remove and save screw that holds blower motor to microwave.



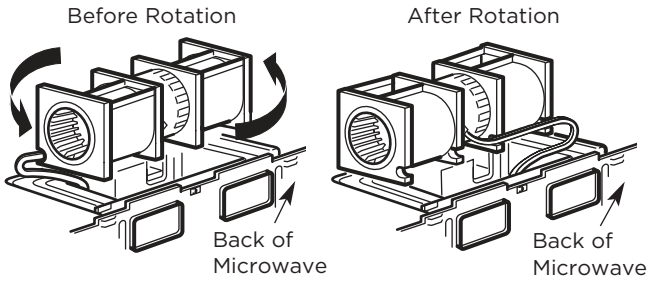
2. Carefully pull out the blower unit. The wires will extend far enough to allow you to adjust the blower unit.



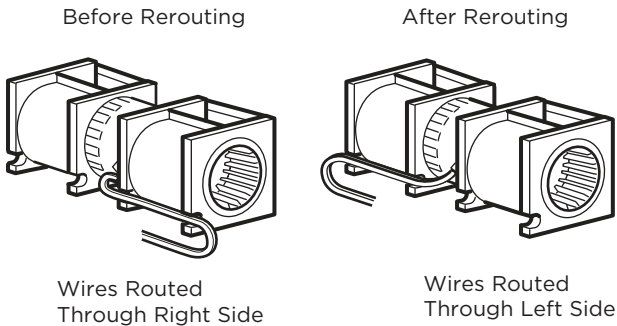
3. Roll the blower unit 90°



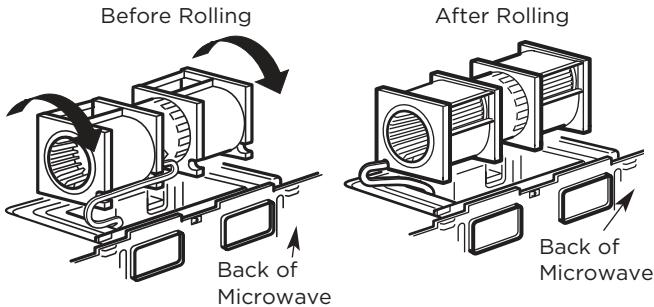
4. Rotate blower unit counterclockwise 180°.



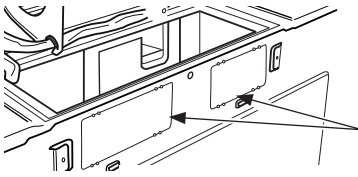
5. Gently remove the wires from the grooves. Reroute the wires through grooves on other side of the blower unit.



6. Rotate the blower unit 90° so that fan blade openings are facing out the back of the microwave.



7. Remove the knockout plates in the back of the unit with snips. (for some models)

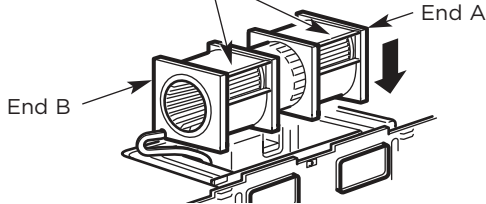


Back of Microwave

Knockout Plates:
Snip all 4 webs on each knockout panel and remove the metal knockouts for rear airflow. Please take care to remove any sharp edges created from removing the knockout plates.

8. Place the blower unit back into the opening.

AFTER: Fan Blade
Openings Facing Back



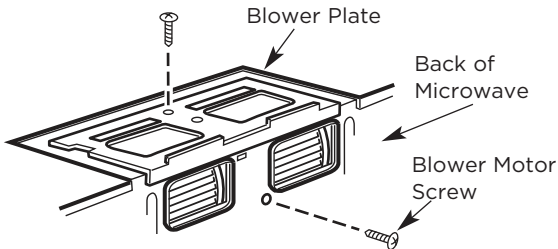
CAUTION:

Do not pull or stretch the blower unit wiring. Make sure the wires are not pinched, and that they are properly secured.

NOTE:

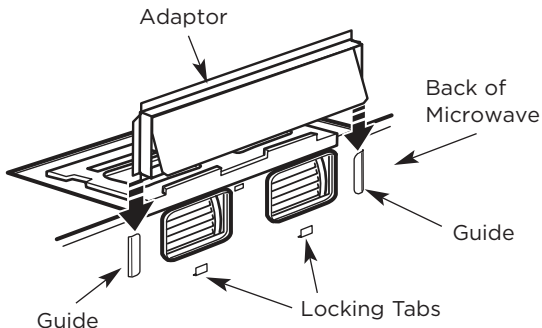
The blower unit exhaust openings should match exhaust openings on rear of microwave oven.

9. Secure the blower unit to the microwave with the original screw.



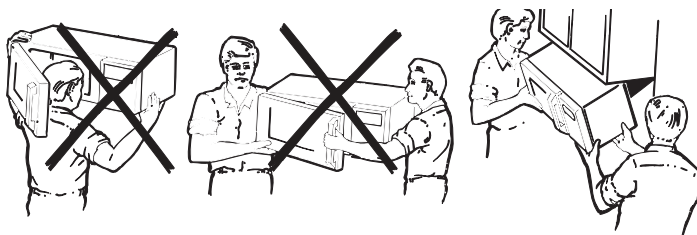
10. Replace the blower plate in the same position as before with the screw. Make sure the screw is tight.

11. Attach the exhaust adaptor to the rear of the oven by sliding it into the guides at the top center of the back of the oven.



Push in securely until it is in the lower locking tabs. Take care to assure that the damper hinge is installed so that it is at the top and that the damper swings freely.

B6. MOUNT THE MICROWAVE OVEN



FOR EASIER INSTALLATION AND PERSONAL SAFETY, WE RECOMMEND THAT TWO PEOPLE INSTALL THIS MICROWAVE OVEN.

IMPORTANT: Do not grip or use the handle or heat shield during in-stallation. Do not remove the cardboard spacers between the heat shield and door.

NOTE:

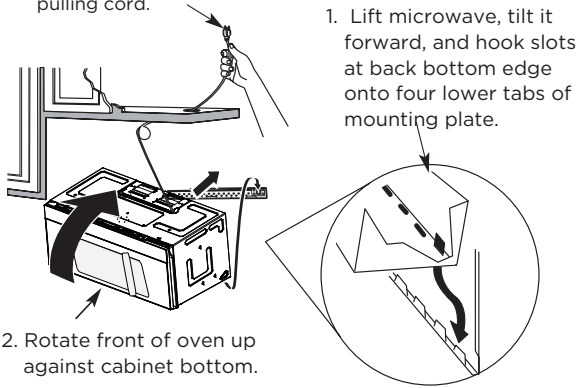
If your cabinet is metal, use the nylon grommet around the power cord hole to prevent cutting of the cord.

NOTE:

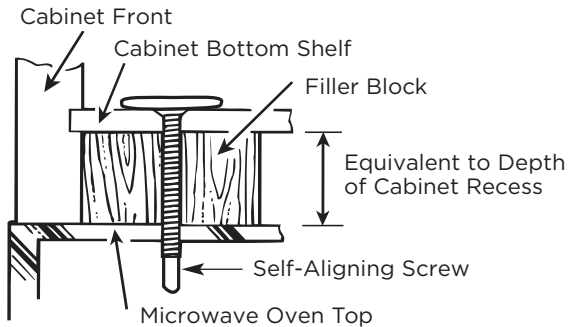
We recommend using filler blocks of the cabinet front hangs below the cabinet bottom shelf.

IMPORTANT: If filler blocks are not used, case damage may occur from over tightening screws.

NOTE: When mounting the microwave oven, thread power cord through hole in bottom of top cabinet. Keep it tight throughout steps 1-3. Do not pinch cord or lift oven by pulling cord.

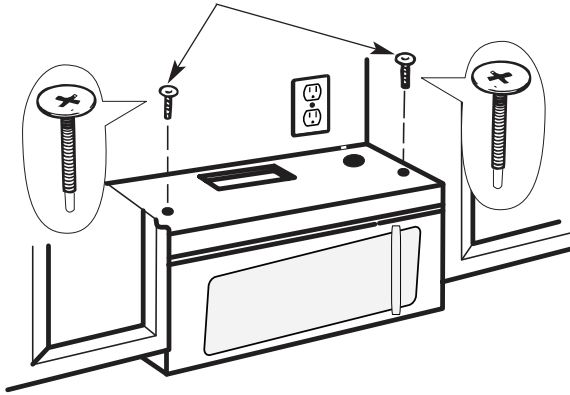


3. Insert self-aligning screw through top center cabinet hole. Temporarily secure the oven by turning the screw at least two full turns after the threads have engaged (it will be completely tightened later). Be sure to keep the power cord tight. Be careful not to pinch the cord, especially when mounting flush to bottom of cabinet.

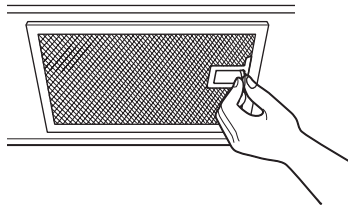


4. Attach the microwave oven to the top cabinet.

5. Insert 2 self-aligning screws through outer top cabinet holes. Turn two full turns on each screw.



6. Tighten the outer two screws to the top of the microwave oven. (While tightening screws, hold the microwave oven in place against the wall and the top cabinet.)

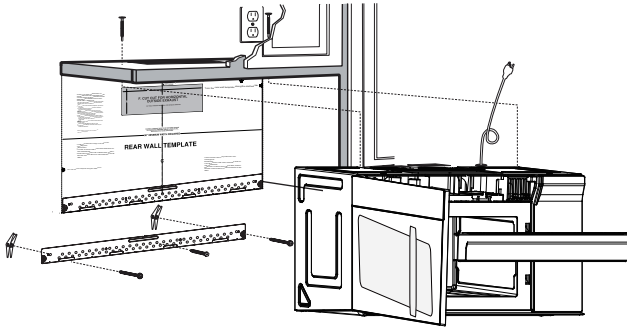


7. Install grease filters. See the Use & Care Guide that came with the microwave for more information.

C. RECIRCULATING (non vented ductless)

INSTALLATION OVERVIEW

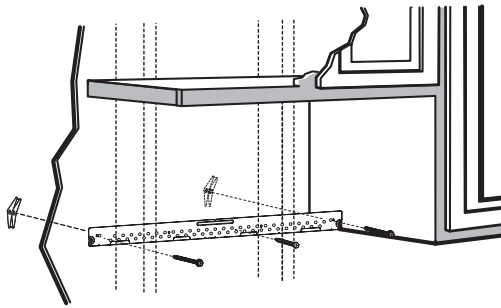
- C1. Attach Mounting Plate to Wall
- C2. Prepare Top Cabinet
- C3. Check Blower Plate
- C4. Mount the Microwave Oven
- C5. Install or change Charcoal Filter



IMPORTANT NOTES:

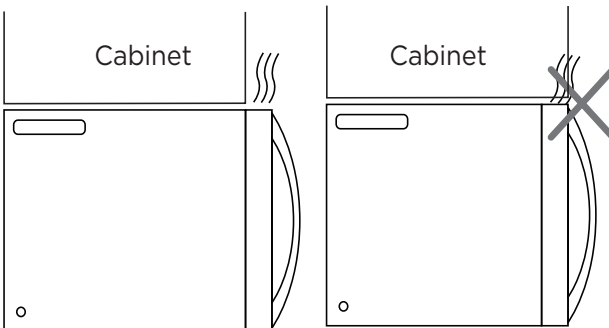
1. Make sure the screws for the blower motor and blower plate are securely tightened when they are reinstalled. This will help prevent excessive vibration.
2. Make sure the motor wiring has been properly routed and secured and that the wires are not pinched.

C1. ATTACH THE MOUNTING PLATE TO THE WALL



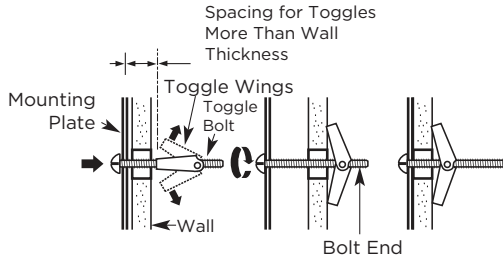
Attach the plate to the wall using toggle bolts. At least one wood screw must be used to attach the plate to a wall stud.

If the cabinet depth including the cabinet doors is more than 13", then the unit must be spaced out from wall using adequate materials supporting 150 lbs to allow proper top vent air exhaust/intake.



1. Remove the toggle wings from the bolts.
2. Insert the bolts into the mounting plate through the holes designated to go into drywall and reattach the toggle wings 3/4" to (19mm) onto each bolt.

To use toggle bolts:



3. Place the mounting plate against the wall and insert the toggle wings into the holes in the wall to mount the plate.

NOTE:

Before tightening toggle bolts and wood screw, make sure the bottom of the mounting plate touch the bottom of the cabinet when pushed flush against the wall and that the plate is properly centered under the cabinet.

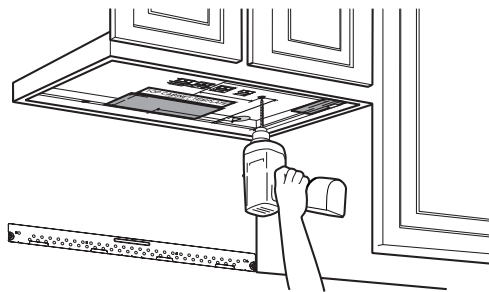
CAUTION:

Be careful to avoid pinching fingers between the back of the mounting plate and the wall.

4. Tighten all bolts. Pull the plate away from the wall to help tighten the bolts.

C2. USE TOP CABINET TEMPLATE FOR PREPARATION OF TOP CABINET

You need to drill holes for the top support screws and a hole large enough for the power cord to fit through.



1. Read the instructions on the TOP CABINET TEMPLATE.
2. Tape it underneath the top cabinet.

NOTE:

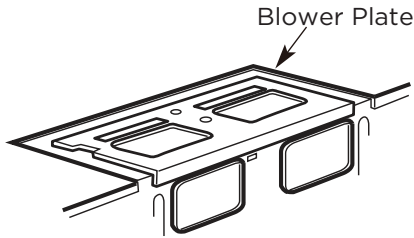
Adjust top template accordingly if the microwave is being spaced out from the wall due to cabinet depth (including cabinet doors) of more than 13".

Drill the holes following instructions on the TOP CABINET TEMPLATE.

⚠ CAUTION:

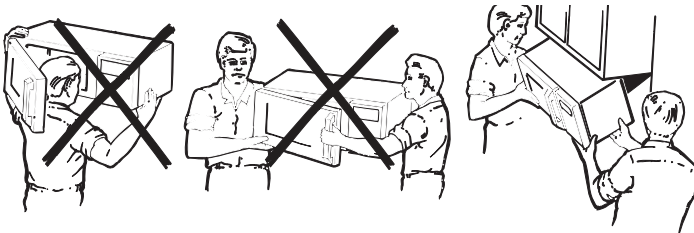
Wear safety goggles when drilling holes in the cabinet bottom.

C3. CHECK BLOWER PLATE



Place the microwave in its upright position, with the top of the unit facing up. Check to see that the blower plate is correctly installed on the unit.

C4. MOUNT THE MICROWAVE OVEN



FOR EASIER INSTALLATION AND PERSONAL SAFETY, WE RECOMMEND THAT TWO PEOPLE INSTALL THIS MICROWAVE OVEN.

IMPORTANT: Do not grip or use the handle or heat shield during installation. Do not remove the cardboard spacers between the heat shield and door.

● NOTE:

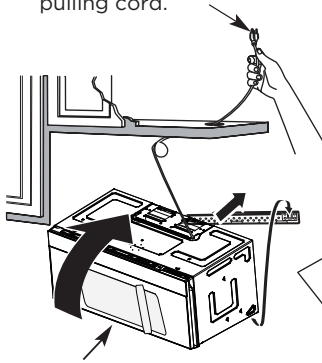
If your cabinet is metal, use the nylon grommet around the power cord hole to prevent cutting of the cord.

● NOTE:

We recommend using filler blocks if the cabinet front hangs below the cabinet bottom shelf.

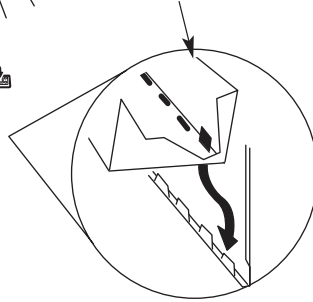
IMPORTANT: If filler blocks are not used, case damage may occur from over tightening screws.

NOTE: When mounting the microwave oven, thread power cord through hole in bottom of top cabinet. Keep it tight throughout steps 1-3. Do not pinch cord or lift oven by pulling cord.

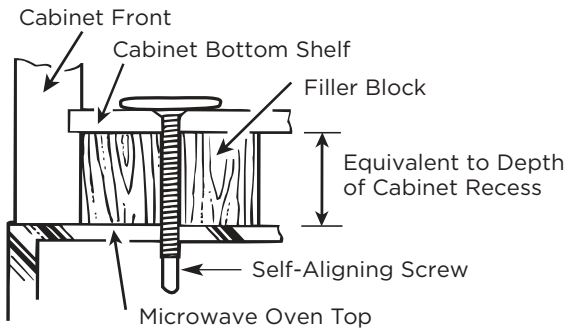


2. Rotate front of oven up against cabinet bottom.

1. Lift microwave, tilt it forward, and hook slots at back bottom edge onto four lower tabs of mounting plate.

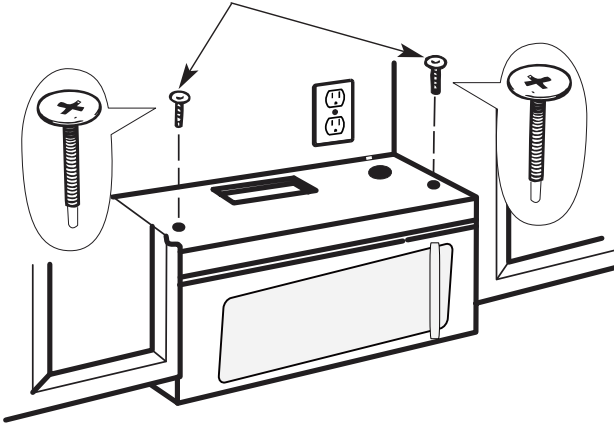


3. Insert a self-aligning screw through top center cabinet hole. Temporarily secure the oven by turning the screw at least two full turns after the threads have engaged (It will be completely tightened later.) Be sure to keep power cord tight. Be careful not to pinch the cord, especially when mounting flush to bottom of cabinet.

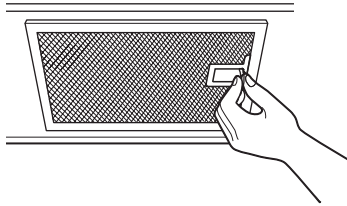


4. Attach the microwave oven to the top cabinet.

5. Insert 2 self-aligning screws through outer top cabinet holes. Turn two full turns on each screw.



6. Tighten the outer two screws to the top of the microwave oven. (While tightening screws, hold the microwave oven in place against the wall and the top cabinet.)



7. Install grease filters. See the Use & Care Guide packed with the microwave.

C5. INSTALLING OR CHANGING THE CHARCOAL FILTER (Some Models)

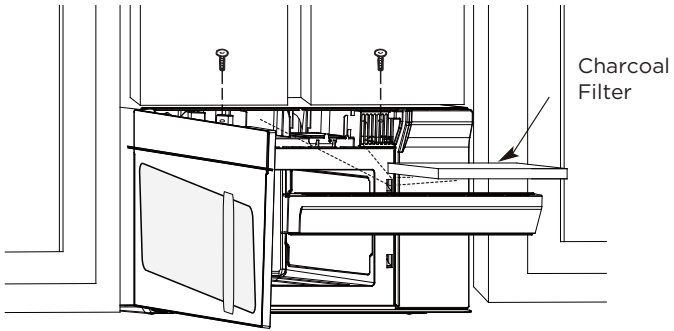
NOTE:

The charcoal filter is factory installed in some models. Refer to the Use & Care Guide to see if yours is factory installed and for replacement information.

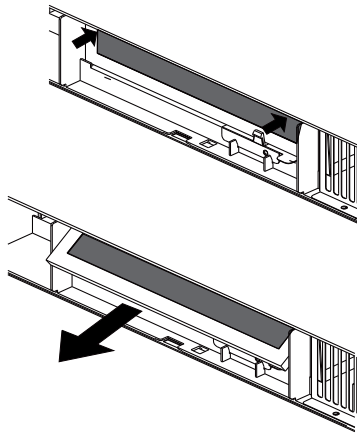
For models without the recirculation filter access door, follow these steps to replace or install a charcoal filter:

1. Unplug microwave oven or disconnect power.

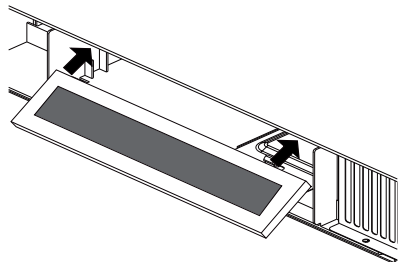
2. Open the microwave door and remove the two vent mounting screws located on top of the microwave using a #1 Phillips screwdriver.



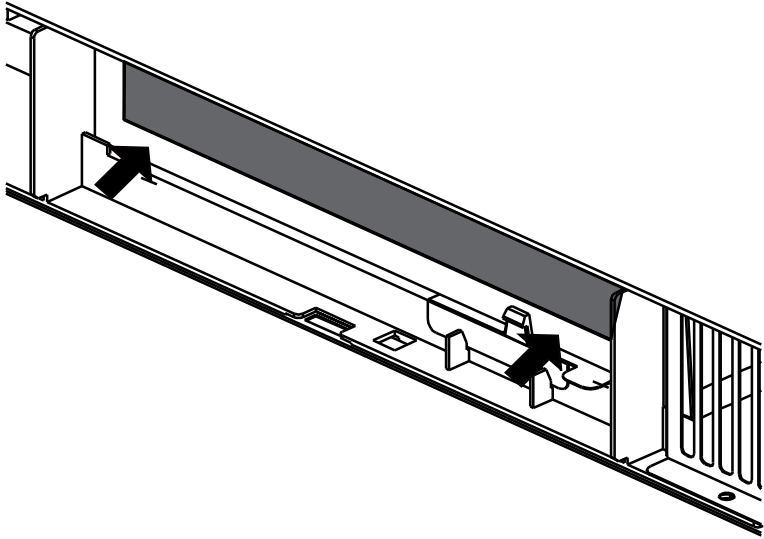
3. Remove the charcoal filter by pushing the top of the filter inwards, then pull it forward out from the unit.



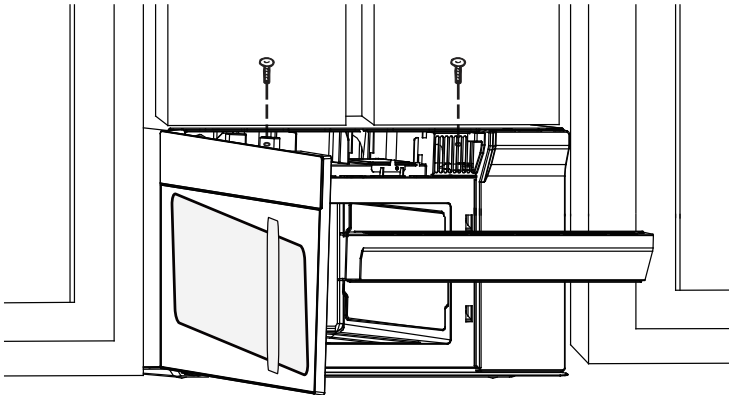
4. Slide the top of the new charcoal filter into the top of the filter cavity.



5. Press the bottom of charcoal filter to place it into the correct position.



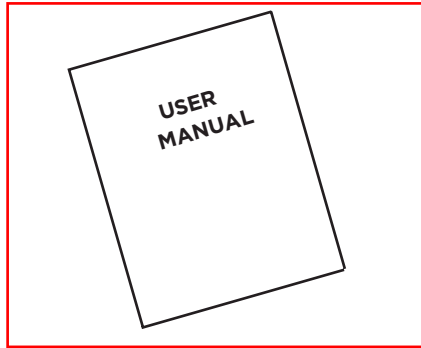
6. Reinstall the vent by sliding the bottom of the vent into place. Push the vent top into position and slide right into place. Replace the two vent mounting screws located on top of the microwave using a #1 Phillips screwdriver.



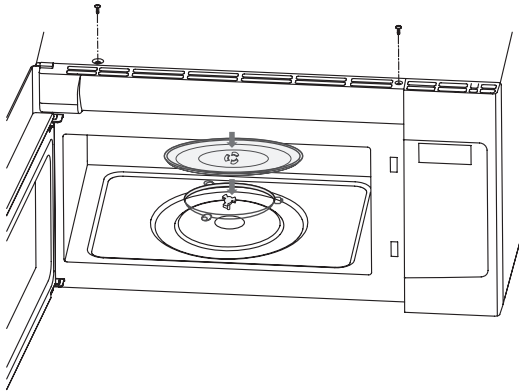
7. Close the microwave door. Plug in microwave oven or reconnect power.

Before You Use Your Microwave

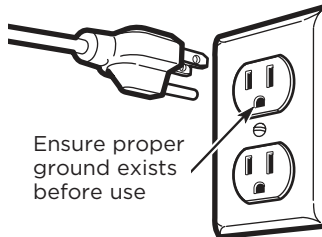
1. Make sure the microwave oven has been installed according to instructions.



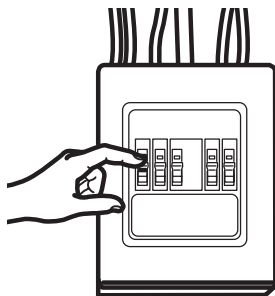
2. Remove all packing material from the microwave oven.
3. Install turntable ring and glass tray in cavity.



4. Plug power cord into a separate and dedicated 15- to 20-amp electrical outlet.



5. Replace house fuse or turn breaker back on.



6. Read the User Manual.



7. KEEP USER MANUAL FOR THE LOCAL INSPECTOR'S USE.

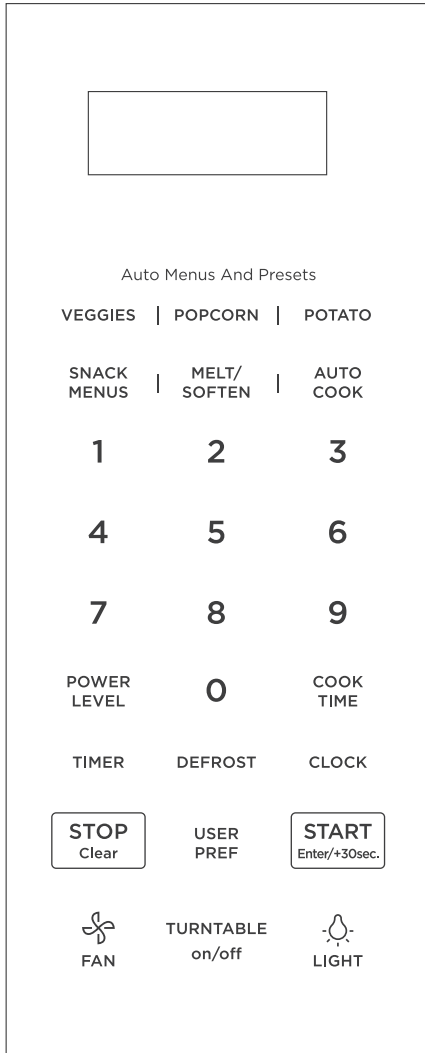


Operational Check

1. Make sure the unit has been installed according to these instructions.
2. Remove all packing materials from the oven.
3. Replace house fuse or turn circuit breaker back on.
4. Plug power cord into receptacle .
5. Read operating instructions before testing the product.
6. Turn on the exhaust fan at Turbo speed and confirm it is operating by using a tissue (it will stick to the filter).
7. Confirm the outdoor ex-haust flapper has opened.
8. Set the microwave oven for 1 minute and confirm the oven is operating normally using a cup of water.
9. Keep these installation instruction for the local electrical inspector's use.

OPERATION INSTRUCTIONS

Control Panel



- Before operating your new oven make sure you read and understand this Use and Care Guide completely.
- The clock can be disabled when the microwave is first plugged in and the Stop/Clear key is selected. To re-enable the clock follow clock instructions.

Setting The Clock

- Suppose you want to enter the correct time of day 10:59.

TOUCH		DISPLAY SHOWS:
1.	CLOCK	12:00
2.	1 0 5 9	10:59 <small>PRESS START</small>
3.	CLOCK or START/Enter/+30sec.	10:59

Setting The Timer

Your microwave oven can be used as a kitchen timer. You can set up to 99 minutes , 99 seconds. The kitchen timer can be used while the microwave oven is running.

- Suppose you want to set for three minutes.

TOUCH		DISPLAY SHOWS:
1.	TIMER	TIMER : 0
2.	3 0 0	TIMER 3:00
3.	TIMER	TIMER 3:00 Time counting down

NOTE:

There are not any other programs during the kitchen timer.

Microwave

Your Over the Range Microwave Oven can be programmed for 99 minutes 99 seconds (99:99). Always enter the seconds after the minutes, even if they are both zeros.

- Suppose you want to cook for 2 minutes at 90% power

TOUCH		DISPLAY SHOWS:
1.	COOK TIME	: 0
2.	2 0 0	2:00 <small>PRESS START</small>
3.	POWER LEVEL X1	P-HI <small>PRESS START</small>

4.	POWER LEVEL X1 or 9	P-90 <small>PRESS START</small>
5.	START/Enter/+30sec.	Time counting down

Power Chart

PRESS	POWER LEVEL	DISPLAY
POWER LEVEL x 1	100%	P-HI
POWER LEVEL x 2 or 9	90%	P-90
POWER LEVEL x 3 or 8	80%	P-80
POWER LEVEL x 4 or 7	70%	P-70
POWER LEVEL x 5 or 6	60%	P-60
POWER LEVEL x 6 or 5	50%	P-50
POWER LEVEL x 7 or 4	40%	P-40
POWER LEVEL x 8 or 3	30%	P-30
POWER LEVEL x 9 or 2	20%	P-20
POWER LEVEL x 10 or 1	10%	P-10
POWER LEVEL x 11 or 0	0%	P-0

Weight Defrost

TOUCH		DISPLAY SHOWS:
1.	DEFROST X1	0.0 <small>lb</small>
2.	1 2	1.2 <small>PRESS START</small> <small>lb</small>
3.	START/Enter/+30sec.	Time counting down

NOTE:

The weight amount must be a valid entry for this feature to start. A valid weight entry is 0.1 to 6.0 pounds.

Time Defrost

TOUCH		DISPLAY SHOWS:
1.	DEFROST X2	0:00
2.	① ② ⑤ ⑧	<small>PRESS START</small> 10:58
3.	START/Enter/+30sec.	<small>COOK DEFR.</small> 10:58 Time counting down

NOTE:

The buzzer will sound to remind you of turning over the food when half of the time has passed on.

Speed Cooking

1. Using add 30 seconds:

This is a time-saving pad. It is a simplified feature that lets you quickly set and start microwave cooking at 100% power.

TOUCH		DISPLAY SHOWS:
1.	START/Enter/+30sec.	<small>COOK</small> :30

2. Using number pads for "1-6":

Press number pads "1-6" to start cooking with corresponding time for 100% power level directly. For example, cooking with 6 minutes for 100% power level.

TOUCH		DISPLAY SHOWS:
1.	⑥	<small>PRESS START</small> : 6
2.	After 2 seconds	<small>COOK</small> 6:00

The oven should be opened and closed in 5 minutes before the speed cooking, otherwise, operating as below.

TOUCH		DISPLAY SHOWS:
1.	⑥	Food
2.	open the door	<small>PRESS START</small> 6:00
3.	START/Enter/+30sec.	Time counting down (Close the door)

NOTE:

"Food" will be displayed if a quick start cooking cycle or "START/Enter/+30sec." key is not selected within 5 minutes of placing food in the microwave. You must open then close the door again to clear "Food" from the display.

Veggies

TOUCH		DISPLAY SHOWS:
1.	VEGGIES X1	Fr-1
2.	VEGGIES X1	Fr-2
3.	①	1CUP <small>PRESS START</small>
4.	START/Enter/+30sec.	Time counting down

PRESS VEGGIES PAD	FOOD	AMOUNT
X1	Fresh Vegetable	1 - 4 cups
X2	Frozen Vegetable	1 - 4 cups

Popcorn

Press "POPCORN" key and LED displays 3.3 oz. Press "POPCORN" repeatedly to choose the desired weight.

- Suppose you want to cook 3.0 oz. popcorn.

TOUCH		DISPLAY SHOWS:
1.	POPCORN X1	3.3 <small>PRESS START</small> oz
2.	POPCORN X1	3.0 <small>PRESS START</small> oz
3.	START/Enter/+30sec.	Time counting down

PRESS POPCORN PAD	AMOUNT
X1	3.3 oz
X2	3.0 oz
X3	1.75 oz

Potato

TOUCH		DISPLAY SHOWS:
1.	POTATO X1	1 <small>PRESS START</small>
2.	POTATO X1 or ②	2 <small>PRESS START</small>
3.	START/Enter/+30sec.	Time counting down

PRESS POTATO PAD OR NUMBER KEYS	AMOUNT
X1	1
X2	2
X3	3
X4	4

Snack Menus

There are 4 options (Hot dogs, Frozen Kids Meal, Meal In A Cup, Soup) under the snack menu.

1. Hot dogs or Soup

TOUCH		DISPLAY SHOWS:
1.	SNACK MENU X1	Sn-1
2.	①	<small>PRESS START</small> 1
3.	START/Enter/+30sec.	Time counting down

2. Frozen Kids Meal or Meal In A Cup

TOUCH		DISPLAY SHOWS:
1.	SNACK MENU X2	<small>PRESS START</small> Sn-2
2.	START/Enter/+30sec.	Time counting down

PRESS SNACK MENU PAD	FOOD	AMOUNT
X1	Hot Dogs	1 - 6 pieces
X2	Frozen Kids Meal	8.8 oz
X3	Meal in a cup	2.39 oz
X4	Soup	1 - 2 cups

Auto Cook

There are 5 options (Bacon, Dinner Plate, Rice, Frozen breakfast, Frozen Pizza) under the auto cook.

TOUCH		DISPLAY SHOWS:
1.	AUTO COOK X1	Ac-1
2.	②	<small>PRESS START</small> 2
3.	START/Enter/+30sec.	Time counting down

PRESS AUTO COOK	FOOD	AMOUNT
X1	Bacon	1-3 Slices
X2	Dinner Plate	1-2 Plates
X3	Rice	1-2 Cups
X4	Frozen breakfast	8/12 oz
X5	Frozen Pizza	6/8/12 oz

Melt/Soften

The oven uses low power to melt and soften items. See the following table.

- Suppose you want to melt 2 sticks of Butter.

TOUCH		DISPLAY SHOWS:
1.	MELT/SOFTEN X 1	50-1
2.	②	<small>PRESS START</small> 2
3.	START/Enter/+30sec.	Time counting down

PRESS MELT/SOFTEN PAD	FOOD	AMOUNT
X1	Melt Butter	1/2 stick
X2	Melt Chocolate	2/4/8 oz
X3	Soften Ice Cream	Pint/1.5Quart
X4	Soften Cream Cheese	3/8 oz

Child Lock

TOUCH		DISPLAY SHOWS:
1.	STOP/Clear (for 3 seconds)	LOCK OR <small>LOCK</small> 11:00 (if clock is set)
2.	STOP/Clear (for 3 seconds)	11:00 (if clock is set)

Stage Cook

TOUCH		DISPLAY SHOWS:
1.		<small>PRESS START</small> 1:20
2.	POWER LEVEL X1	<small>PRESS START</small> P-H1
3.	POWER LEVEL X8 or	<small>PRESS START</small> P-20
4.	COOK TIME	: 0
5.		<small>PRESS START</small> 1:50
6.	POWER LEVEL X1	<small>PRESS START</small> P-H1
7.	POWER LEVEL X7 or	<small>PRESS START</small> P-30
8.	START/Enter/+30sec.	Time counting down

Vent Fan

The pad controls the 2-speed vent fan. If the vent fan is OFF, the first touch of the FAN pad will turn the fan on HIGH, second touch LOW and third touch OFF.

TOUCH	DISPLAY SHOWS:
X1 FAN	VENT HI
X2 FAN	VENT LOW
X3 FAN	oFF

Light

The pad controls the 2-states light. If the light is OFF, the first touch of the light pad will turn the light on, second touch OFF.

TOUCH	DISPLAY SHOWS:
X1 LIGHT	oN
X2 LIGHT	oFF

User Pref

KEY	SETTING
USER PREF X1	Volume Lo/Nor/Hi/Off
USER PREF X2	Weight lb/kg
USER PREF X3	Clock Display Off/On
USER PREF X4	Demo Mode

Volume

In standby mode:

TOUCH		DISPLAY SHOWS:
1.	USER PREF X1	<small>PRESS START</small> oP-1
2.	START/Enter/+30sec.	Lo (Lo, nor, HI, oFF will display in order)
3.	START/Enter/+30sec.	

Weight (lb/kg)

In standby mode:

TOUCH		DISPLAY SHOWS:
1.	USER PREF X2	<small>PRESS START</small> oP-2
2.	START/Enter/+30sec.	<small>PRESS START</small> oP-2 lb or <small>PRESS START</small> oP-2 kg
3.	START/Enter/+30sec.	

Clock Display Off/On

In standby mode:

TOUCH		DISPLAY SHOWS:
1.	USER PREF X3	<small>PRESS START</small> oP-3
2.	START/Enter/+30sec.	<small>PRESS START</small> oN or <small>PRESS START</small> oFF
3.	START/Enter/+30sec.	

Demo Mode

In standby mode:

TOUCH		DISPLAY SHOWS:
1.	USER PREF X4	<small>PRESS START</small> oP-4
2.	START/Enter/+30sec.	<small>PRESS START</small> oN or <small>PRESS START</small> oFF
3.	START/Enter/+30sec.	

Turntable On/Off

The statu default of turntable is on.

TOUCH		DISPLAY SHOWS:
1.	TURNTABLE on/off X1	oFF
2.	TURNTABLE on/off X1	oN

NOTE:

The turntable can not be controlled under auto menu and defrost cooking model.


TROUBLESHOOTING

Check your problem by using the chart below and try the solutions for each problem. If the microwave oven still does not work properly, contact the nearest authorized service center.

TROUBLE	POSSIBLE CAUSE	POSSIBLE REMEDY
Oven will not start	<ul style="list-style-type: none"> Electrical cord for oven is not plugged in. Door is open. Wrong operation is set. 	<ul style="list-style-type: none"> Plug into the outlet. Close the door and try again. Check instructions.
Arcing or sparking	<ul style="list-style-type: none"> Materials to be avoided in microwave oven were used. The oven is operated when empty. Spilled food remains in the cavity. 	<ul style="list-style-type: none"> Use microwave-safe cookware only. Do not operate with oven empty. Clean cavity with wet towel.
Unevenly cooked foods	<ul style="list-style-type: none"> Materials to be avoided in microwave oven were used. Food is not defrosted completely. Cooking time, power level is not suitable. Food is not turned or stirred. 	<ul style="list-style-type: none"> Use microwave-safe cookware only. Completely defrost food. Use correct cooking time, power level. Turn or stir food.
Overcooked foods	<ul style="list-style-type: none"> Cooking time, power level is not suitable. 	<ul style="list-style-type: none"> Use correct cooking time, power level.
Undercooked foods	<ul style="list-style-type: none"> Materials to be avoided in microwave oven were used. Food is not defrosted completely. Oven ventilation ports are restricted. Cooking time, power level is not suitable. 	<ul style="list-style-type: none"> Use microwave-safe cookware only. Completely defrost food. Check to see that oven ventilation ports are not restricted. Use correct cooking time, power level.
Improper defrosting	<ul style="list-style-type: none"> Materials to be avoided in microwave oven were used. Cooking time, power level is not suitable. Food is not turned or stirred. 	<ul style="list-style-type: none"> Use microwave-safe cookware only. Use correct cooking time, power level. Turn or stir food.



TRADEMARKS, COPYRIGHTS AND LEGAL STATEMENT

 Midea logo, word marks, trade name, trade dress and all versions thereof are valuable assets of Midea Group and/or its affiliates ("Midea"), to which Midea owns trademarks, copyrights and other intellectual property rights, and all goodwill derived from using any part of an Midea trademark. Use of Midea trademark for commercial purposes without the prior written consent of Midea may constitute trademark infringement or unfair competition in violation of relevant laws.

This manual is created by Midea and Midea reserves all copyrights thereof. No entity or individual may use, duplicate, modify, distribute in whole or in part this manual, or bundle or sell with other products without the prior written consent of Midea.

All the described functions and instructions were up to date at the time of printing this manual. However, the actual product may vary due to improved functions and designs.

DATA PROTECTION NOTICE

For the provision of the services agreed with the customer, we agree to comply without restriction with all stipulations of applicable data protection law, in line with agreed countries within which services to the customer will be delivered.

Generally, our data processing is to fulfil our obligation under contract with you and for product safety reasons, to safeguard your rights in connection with warranty and product registration questions. In some cases, but only if appropriate data protection is ensured, personal data might be transferred to recipients located outside of the European Economic Area.

Further information are provided on request. You can contact our Data Protection Officer via **MideaDPO@midea.com**. To exercise your rights such as right to object your personal data being processed for direct marketing purposes, please contact us via **MideaDPO@midea.com**. To find further information, please follow the QR Code.

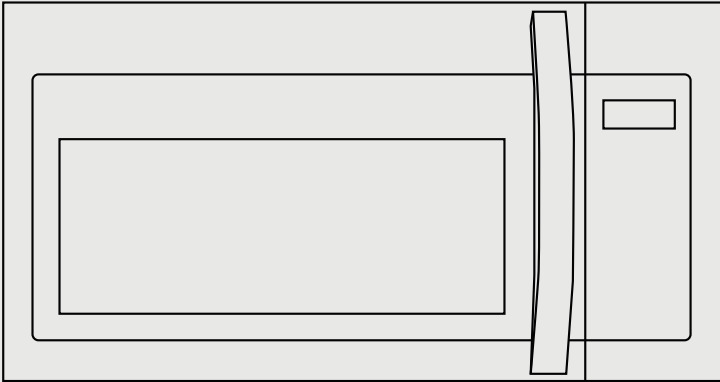


make yourself at home



www.midea.com

© Midea 2022 all rights reserved



HORNO MICROONDAS

MANUAL DE USUARIO

MOR17BSA-SS

Avisos de advertencia: Antes de usar este producto, lea detenidamente este manual y guárdelo como referencia futura.

El diseño y las especificaciones están sujetos a cambio sin previo aviso para la mejora del producto.

Consulte con su distribuidor o fabricante para obtener más detalles.

El diagrama anterior es únicamente de referencia. Por favor, tome como referencia el aspecto del producto real.

CARTA DE AGRADECIMIENTO

¡Gracias por elegir Midea! Antes de usar su nuevo producto Midea, lea detenidamente este manual para asegurarse de que sabe cómo operar las características y funciones que su nuevo aparato ofrece de forma segura.

CONTENIDOS

CARTA DE AGRADECIMIENTO	-----EN-01
INSTRUCCIONES DE SEGURIDAD	-----EN-02
ESPECIFICACIONES	-----EN-12
VISTA GENERAL DEL PRODUCTO	-----EN-13
INSTALACIÓN DEL PRODUCTO	-----EN-14
INSTRUCCIONES DE FUNCIONAMIENTO	-----EN-52
PROBLEMAS Y SOLUCIONES	-----EN-62
MARCAS REGISTRADAS, DERECHOS DE AUTOR Y DECLARACIÓN LEGAL	-----EN-63
AVISO DE PROTECCIÓN DE DATOS	-----EN-64

INSTRUCCIONES DE SEGURIDAD

Uso Previsto

Las siguientes pautas de seguridad tiene como objetivo evitar riesgos o daños imprevistos debido al uso inseguro o incorrecto del aparato. Por favor, verifique el empaque y el producto a su llegada para asegurarse de que todo está intacto para garantizar un funcionamiento seguro. Si encuentra algún daño, póngase en contacto con el vendedor o distribuidor. Tenga en cuenta que no se permiten modificaciones o alteraciones en el aparato por razones de seguridad. El uso no previsto puede causar peligros y la pérdida de derechos de garantía.

Explicación de Símbolos



Peligro

Este símbolo indica que existen peligros para la vida y la salud de las personas debido a los gases extremadamente inflamables.



Advertencia de tensión eléctrica

Este símbolo indica que existe un peligro para la vida y la salud de las personas debido a la tensión.



Advertencia

La señal indica un riesgo de nivel medio que, si no se evita, puede provocar la muerte o una lesión grave.



Precaución

La señal indica un riesgo de nivel bajo, que si no se evita, puede provocar una lesión leve o moderada.



Atención

La señal indica información importante (por ejemplo, daños a la propiedad), pero no peligro.



Cumplir con las instrucciones

Este símbolo indica que únicamente un técnico de mantenimiento debe operar y realizar el mantenimiento de este aparato conforme a las instrucciones de funcionamiento.

Lea detenidamente estas instrucciones de funcionamiento antes de usar / poner en funcionamiento la unidad y guárdelas cerca del lugar de la instalación o de la unidad para un uso posterior.

PRECAUCIONES PARA EVITAR UNA POSIBLE EXPOSICIÓN A UNA ENERGÍA EXCESIVA DEL MICROONDAS

- a. No intente utilizar este horno con la puerta abierta, ya que el funcionamiento con la puerta abierta puede resultar en una exposición nociva a la energía de microondas.
Es importante no anular ni alterar los bloqueos de seguridad.
- b. No coloque ningún objeto entre el frente del horno y la puerta ni permita que se acumule suciedad o residuos de limpiador en las superficies de sellado.
- c. No utilice el horno si está dañado. Es especialmente importante que la puerta del horno cierre correctamente y que no hayan daños en:
 - PUERTA (doblada)
 - BISAGRAS Y PESTILLOS (rotos o flojos)
 - SELLOS DE PUERTAS Y SUPERFICIES DE SELLADO
- d. El horno no debe ser ajustado ni reparado por nadie excepto por personal de servicio debidamente calificado.

INSTRUCCIONES IMPORTANTES DE SEGURIDAD

Al utilizar aparatos eléctricos deben seguirse unas precauciones básicas de seguridad, incluyendo las siguientes:

▲ ADVERTENCIA

Para reducir el riesgo de quemaduras, descargas eléctricas, incendios, lesiones personales o exposición a energía de microondas excesiva:

- Lea todas las instrucciones antes de utilizar el aparato.
- Lea y siga estos puntos específicos: "PRECAUCIONES PARA EVITAR LA POSIBLE EXPOSICIÓN A ENERGÍA DE MICROONDAS EXCESIVA" que se encuentra en la página 03.
- Este aparato debe conectarse a tierra. Conéctelo únicamente a un tomacorriente debidamente conectado a tierra. Consulte "INSTRUCCIONES DE CONEXIÓN A TIERRA" que se encuentran en la página 07.
- Instale o ubique este aparato solo de acuerdo con las instrucciones de instalación suministradas.
- Algunos productos, como huevos enteros y recipientes sellados, por ejemplo, frascos de vidrio cerrados, pueden explotar y no deben calentarse en este horno.
- Utilice este aparato solo para el uso previsto, tal como se describe en el manual. No utilice productos químicos o vapores corrosivos en este aparato. Este tipo de horno está específicamente diseñado para calentar, cocinar o deshidratar alimentos. No está diseñado para uso industrial o de laboratorio.

- Como con cualquier electrodoméstico, cuando los niños lo utilicen, es necesaria una atenta supervisión.
- No utilice este aparato si tiene el cable o el enchufe dañado, si no funciona correctamente o si se ha dañado o se ha dejado caer.
- Este aparato debe ser reparado únicamente por personal de servicio calificado. Comuníquese con el centro de servicio autorizado más cercano para su examen, reparación o ajuste.
- No cubra ni bloquee ninguna abertura del aparato.
- No guarde este aparato al aire libre. No utilice este producto cerca del agua, por ejemplo, cerca del fregadero, en un sótano húmedo, cerca de una piscina o un lugar similar.
- No sumerja el cable ni el enchufe en agua.
- Mantenga el cable alejado de superficies calientes.
- No deje que el cable cuelgue sobre el borde de una mesa o encimera.
- Cuando limpie las superficies de la puerta y del horno que se juntan al cerrar la puerta, utilice sólo jabones suaves y no abrasivos, o detergente aplicado con una esponja o paño suave.
- Para reducir el riesgo de incendio en el interior del horno:
 - No sobrecocine los alimentos. Ponga mucho cuidado y no descuide el aparato cuando coloque papel, plástico u otros materiales combustibles dentro del horno para facilitar la cocción.
 - Retire las ataduras de alambre de la bolsa de papel o plástico antes de introducirlas al horno.
 - Si el material en el interior del horno se enciende, mantenga cerrada la puerta del horno, apáguelo y desconecte el cable de alimentación, o corte la alimentación en el panel de fusibles o disyuntor.

- No utilice el interior del horno para guardar objetos. No deje productos de papel, utensilios de cocina o comida en el interior del horno cuando no lo esté utilizando.
- Los líquidos, como el agua, el café o el té, pueden sobrecalentarse por encima del punto de ebullición sin que parezca que están hirviendo. No siempre hay burbujas o ebullición visibles cuando se retira el recipiente del horno de microondas.

ESTO PODRÍA PROVOCAR LA EBULLICIÓN REPENTINA DE LÍQUIDO MUY CALIENTE CUANDO SE AGITA EL RECIPIENTE O SE INTRODUCE UN UTENSILIO EN EL LÍQUIDO. Para reducir el riesgo de lesiones a personas:

- No caliente demasiado el líquido.
- Revuelva el líquido antes y en la mitad de la operación de calentamiento.
- No utilice recipientes con lados rectos y cuellos estrechos.
- Después de calentarlo, deje reposar el recipiente en el horno microondas por un corto tiempo antes de retirarlo.
- Tenga mucho cuidado al introducir una cuchara u otro utensilio en el recipiente.
- No se deben introducir utensilios de metal o de alimentos de gran tamaño en un horno microondas/tostador, ya que pueden provocar un incendio o riesgo de descarga eléctrica.
- No lo limpie con estropajos metálicos. Un fragmento puede quemar el panel y hacer contacto con partes eléctricas, ocasionando un riesgo de descarga eléctrica.
- No utilice productos de papel cuando el aparato esté funcionando en modo tostador.

- No guarde ningún material, excepto los accesorios recomendados por el fabricante, en este horno cuando no lo esté utilizando.
- No cubra las rejillas ni ninguna otra parte del horno con papel de aluminio. Esto provocará el sobrecalentamiento del horno.
- Limpie las Campanas de Ventilación con Frecuencia - No deje que la grasa se acumule en la campana o en el filtro.
- Cuando flamee alimentos debajo de la campana, encienda el ventilador.
- Tenga cuidado al limpiar el filtro de la campana de ventilación. Los productos de limpieza corrosivos, como los limpiadores de hornos a base de lejía, pueden dañar el filtro.
- Adecuado para el uso en equipos de cocción eléctricos y a gas.

GUARDE ESTAS INSTRUCCIONES

INSTRUCCIONES DE TOMA A TIERRA

Este aparato debe conectarse a tierra. En caso de que se produzca un cortocircuito eléctrico, la toma a tierra reduce el riesgo de descarga eléctrica ofreciendo un cable de escape para la corriente eléctrica. Este aparato está equipado con un cable que tiene un cable a tierra con un enchufe a tierra. El enchufe debe conectarse a una toma que esté debidamente instalada y conectada a tierra.

⚠ ADVERTENCIA

El uso inadecuado de la conexión a tierra puede resultar en un riesgo de descarga eléctrica. Consulte a un electricista o técnico calificado si no comprende completamente las instrucciones de conexión a tierra o si tiene dudas si el aparato está correctamente conectado a tierra o no. Si es necesario utilizar un cable de extensión, utilice únicamente uno de 3 hilos que tenga un enchufe con conexión a tierra de 3 clavijas y un tomacorriente de 3 ranuras que acepte el enchufe del aparato. La clasificación marcada en el cable de extensión debe ser igual o mayor que la clasificación eléctrica del aparato.

⚠ PELIGRO

Riesgo de descarga eléctrica

Tocar alguno de los componentes internos puede provocar graves lesiones personales o la muerte. No desmonte este aparato.

⚠ ADVERTENCIA

Riesgo de descarga eléctrica

Un uso inadecuado de la toma a tierra puede provocar una descarga eléctrica. No lo enchufe en una toma hasta que el aparato esté debidamente instalado y conectado a tierra.

- Se proporciona un cable de alimentación corto para reducir los riesgos que se derivan de que se enrede o que se tropiecen con él como con un cable largo.
- Hay juegos de cables más largos o cables de extensión disponibles que pueden utilizarse siempre que se haga con cuidado.
- Si se usa un cable de extensión o un cable largo:

- La clasificación eléctrica que aparece marcada en el juego de cables o el cable de extensión debe ser como mínimo igual que la clasificación eléctrica del aparato.
- El cable de extensión debe ser de tipo a tierra de 3 cables.
- El cable más largo debe colocarse de modo que no cuelgue sobre el mostrador o la mesa donde los niños puedan tirar de él o tropezarse sin querer.

INTERFERENCIAS RADIOELÉCTRICAS

- El funcionamiento del horno microondas puede causar interferencias en su radio, TV o equipos similares.
- Cuando hay interferencias, se pueden reducir o eliminar tomando las siguientes medidas:
 - Limpie la puerta y la superficie de sellado del horno
 - Reoriente la antena receptora de radio o televisión.
 - Reubique el horno microondas con respecto al receptor.
 - Aleje el horno de microondas del receptor.
 - Enchufe el horno de microondas en un tomacorriente diferente para que el horno de microondas y el receptor queden en circuitos derivados diferentes.

**ESTE DISPOSITIVO CUMPLE
CON LA SECCIÓN 18 DE LAS
NORMAS DE FCC.**

UTENSILIOS

PRECAUCIÓN

Riesgo de lesiones personales

Los utensilios herméticamente cerrados podrían explotar. Los recipientes cerrados deben abrirse y las bolsas de plástico deben perforarse antes de cocinar. Véase las instrucciones de « Materiales que puede usar en el horno microondas o materiales a evitar en el horno microondas.»

Puede ser que ciertos utensilios no metálicos no sean seguros para usar en el microondas. Si tiene cualquier duda, puede probar el utensilio en cuestión siguiendo el procedimiento que aparece debajo.

Prueba de utensilios:

- Llene un recipiente para microondas con 1 taza de agua fría (250 ml) conjuntamente con el utensilio en cuestión.
- Cocínelo a máxima potencia durante 1 minuto.
- Toque con cuidado el utensilio. Si el utensilio vacío está caliente, no lo use para el cocinado con microondas.
- No supere un tiempo de cocinado de 1 minuto.

Materiales que puede usar en un horno microondas

Utensilios	Comentarios
Plato para dorar	Siga las instrucciones del fabricante. El fondo del plato para dorar debe de estar al menos 5 mm (3/16 pulgadas) por encima del plato giratorio. Un uso incorrecto puede provocar que se rompa el plato giratorio.
Platos y cubiertos	Solo para microondas. Siga las instrucciones del fabricante. No use platos rajados o astillados.
Jarras de cristal	Retire siempre la tapa. Úselo únicamente para calentar alimentos hasta que estén calientes. La mayoría de las jarras de cristal no son resistentes al calor y pueden romperse.
Cristalería	Utilice únicamente vidrio resistente al calor del horno. Asegúrese de que no tiene un borde metálico. No use platos rajados o astillados.
Bolsas para cocina en horno	Siga las instrucciones del fabricante. No lo cierre con un lazo metálico. Realice rajaduras para permitir que escape el vapor.
Platos y tazas de papel	Úselo únicamente para cocinar / calentar a corto plazo. No lo deje sin atender mientras cocina.
Toallitas de papel	Use una cubierta alimentaria para recalentar y absorber la grasa. Úselo con supervisión para la cocina a corto plazo solo.
Papel de pergamino	Úselo como una tapa para evitar salpicaduras o como un envoltorio para el vapor.
Plástico	Solo para microondas. Siga las instrucciones del fabricante. Debe estar etiquetado como « Seguro para microondas ». Algunos recipientes de plástico se ablandan, a medida de que los alimentos en su interior se calientan. Las "bolsas de cocción" y las bolsas de plástico herméticamente cerradas deben cortarse, perforarse o ventilarse según las instrucciones del paquete.
Envoltorio de plástico	Solo para microondas. Úselo para cubrir los alimentos durante el cocinado para retener la humedad. No deje que el envoltorio plástico toque los alimentos.
Termómetros	Únicamente seguros para el microondas (termómetros de carne y dulces).
Papel de cera	Úselo como una tapa para evitar salpicaduras y retener la humedad.

Materiales a evitar en el horno microondas

Utensilios	Comentarios
Bandeja de aluminio	Puede provocar que se arquee. Transfiera alimentos a un plato apto para microondas.
Cartón alimentario con asa de madera	Puede provocar que se arquee. Transfiera alimentos a un plato apto para microondas.
Utensilios metálicos o con reborde metálico	El metal protege los alimentos de la energía del microondas. El reborde metálico puede causar que se arquee.
Ataduras de alambre	Las ataduras de alambre pueden producir arcos eléctricos y provocar un incendio en el horno.
Bolsas de papel	Pueden causar un incendio en el horno.
Espuma de plástico	La espuma de plástico puede fundirse o contaminar el líquido en el interior cuando se expone a altas temperaturas.
Madera	La madera se secará cuando se use en el microondas y se puede dividir o agrietar.

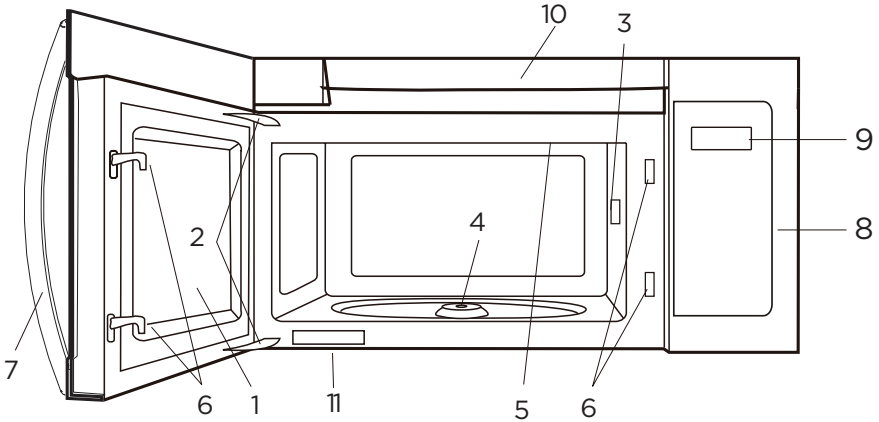
ESPECIFICACIONES

MODELO	MOR17BSA-SS
Fuente De Alimentación	120 V - 60 Hz
Entrada Nominal (Microondas)	1550 W
Salida Nominal (Microondas)	1000 W

VISTA GENERAL DEL PRODUCTO

Configuración de Su Horno

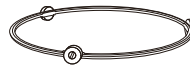
NOMBRES DE LAS PARTES



1. Puerta del horno microondas con ventana transparente
2. Bisagras de las puertas
3. Cubierta de la guía de ondas: NO RETIRAR.
4. Eje del motor del plato giratorio
5. Luz del horno microondas
Se encenderá cuando el horno microondas esté funcionando o la puerta esté abierta.
6. Pestillos de seguridad de la puerta
El horno microondas no funcionará si la puerta no está bien cerrada.
7. Asa
8. Panel de control
9. Pantalla
10. Aberturas de ventilación
11. Etiqueta de clasificación



Plato giratorio de vidrio



Conjunto de Anillo de Plato Giratorio

INSTALACIÓN DEL PRODUCTO

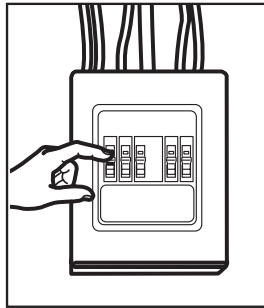
Instrucciones Importantes de Seguridad

Este producto requiere un tomacorriente con conexión a tierra de tres clavijas. El instalador debe realizar una verificación de continuidad de tierra en la caja del tomacorriente antes de comenzar la instalación para asegurarse que la caja del tomacorriente esté correctamente conectada a tierra. Si no está correctamente conectado a tierra, o si la caja del tomacorriente no cumple con los requisitos eléctricos indicados (en REQUISITOS ELÉCTRICOS), se debe contratar a un electricista calificado para corregir cualquier problema.



PRECAUCIÓN:

Por seguridad personal, retire el fusible o abra el disyuntor de la vivienda, antes de comenzar la instalación, para evitar lesiones graves o mortales causadas por descarga eléctrica.



PRECAUCIÓN:

Por seguridad personal, la superficie de montaje debe ser capaz de soportar la carga del gabinete, además del peso adicional de este producto de 63 a 85 libras (28.5 a 38.5 kg), más las cargas adicionales que pueda llevar el horno de hasta 50 libras (22.7 kg), o sea un peso total de 113 a 135 libras (51.3 a 61.2 kg).



PRECAUCIÓN:

Por seguridad personal, este producto no se puede instalar en gabinetes tipo isla o península. Debe poder montarse TANTO en un gabinete superior COMO en una pared.



NOTA:

Para facilitar la instalación y por seguridad personal, se recomienda que dos personas instalen este producto.

IMPORTANTE - POR FAVOR LEA DETENIDAMENTE. POR SU SEGURIDAD PERSONAL, ESTE APARATO DEBE ESTAR CORRECTAMENTE CONECTADO A TIERRA PARA EVITAR DESCARGAS ELÉCTRICAS SEVERAS O FATALES.



El cable de alimentación de este aparato está equipado con un enchufe de tres clavijas (con conexión a tierra) que se acopla a un tomacorriente estándar de tres clavijas (con conexión a tierra) para minimizar la posibilidad de riesgo de descarga eléctrica de este aparato.

Debe ponerse en contacto con un electricista calificado para que revise el tomacorriente y el circuito para asegurarse de que el tomacorriente está conectado a tierra correctamente.

En caso de encontrar un tomacorriente estándar de dos clavijas, es muy importante sustituirlo por un tomacorriente de tres clavijas con conexión a tierra, instalado por un electricista calificado.

EN NINGÚN CASO CORTE, DEFORME O RETIRE NINGUNA DE LAS CLAVIJAS DEL CABLE DE ALIMENTACIÓN. NO UTILICE CON UN CABLE DE EXTENSIÓN.

Requisitos eléctricos


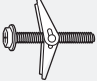


La clasificación del producto es de 120 voltios CA, 60 Hertz, 15 amperios y 1.55 kilovatios. Este producto debe conectarse a un circuito de alimentación independiente y dedicado, con la tensión y frecuencia adecuadas. La dimensión del cable debe cumplir los requisitos del Código Eléctrico Nacional o el código local vigente para esta clasificación en kilovatios. El cable de alimentación y el enchufe deben conectarse a un tomacorriente separado con conexión a tierra de 20 amperios. La caja del tomacorriente debe estar situada en el gabinete encima del horno microondas. La caja del tomacorriente y el circuito de alimentación deben ser instalados por un electricista calificado y cumplir con el Código Eléctrico Nacional o el código local vigente.

Daños durante Transporte/Instalación

1. Si la unidad resulta dañada durante el transporte, devuélvala a la tienda donde la compró para que la reparen o la cambien.
2. Si la unidad es dañada por el cliente, la reparación o el reemplazo es responsabilidad del cliente.
3. Si la unidad es dañada por el instalador (no por el cliente), la reparación o el reemplazo deberá realizarse mediante acuerdo entre el cliente y el instalador.

Piezas Incluidas

PAQUETE DE HARDWARE




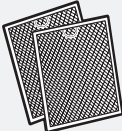
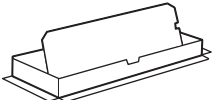
	PIEZA	CANTIDAD
	Tornillos para madera (1/4" x 2")	2
	Pernos de Palanca (y tuercas de mariposa) (3/16" x 3")	2
	Tornillos de Máquina Autoalineables (1/4"-28 x 3 1/4")	3
	Pasacables de nylon (para gabinetes metálicos)	1





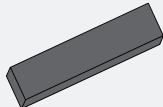
Encontrará el hardware de instalación en un paquete junto con la unidad. Compruebe que tiene todas estas piezas.

NOTA:

Se incluyen algunas piezas adicionales.

PIEZAS ADICIONALES

	PIEZA	CANTIDAD
	Plantilla para armario superior	1
	Plantilla de Pared Trasera	1
	Manual de usuario	1
	Filtros de Grasa Empacados por Separado	2
	Adaptador de extracción	1

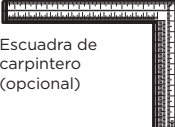
	Bandeja de cristal	1
	Anillo de Plato Giratorio	1
Para algunos modelos 	Parrilla de convección	1
Para algunos modelos 	Rejilla de división	1
Para algunos modelos 	Filtro de Microondas PureAir®	1

Herramientas Necesarias

 Destornillador Phillips # 1

 Lápiz

 Regla o cinta métrica

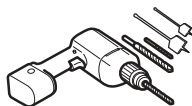
 Escuadra de carpintero (opcional)



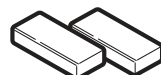
Cizallas (para cortar el amortiguador, si es necesario)



Tijeras (para cortar la plantilla, si es necesario)



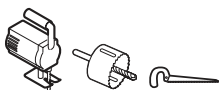
Taladro eléctrico con brocas de $\frac{3}{16}$ ", $\frac{1}{2}$ " y $\frac{5}{8}$ "



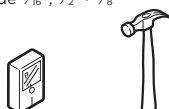
Bloques de relleno o trozos de madera, si es necesario para el espaciado del armario superior (solo se utiliza en instalaciones de armarios inferiores empotrados)



Guantes



Sierra (de sable, de orificio o de cerradura)



Detector de clavos o martillo (opcional)



Lentes de seguridad

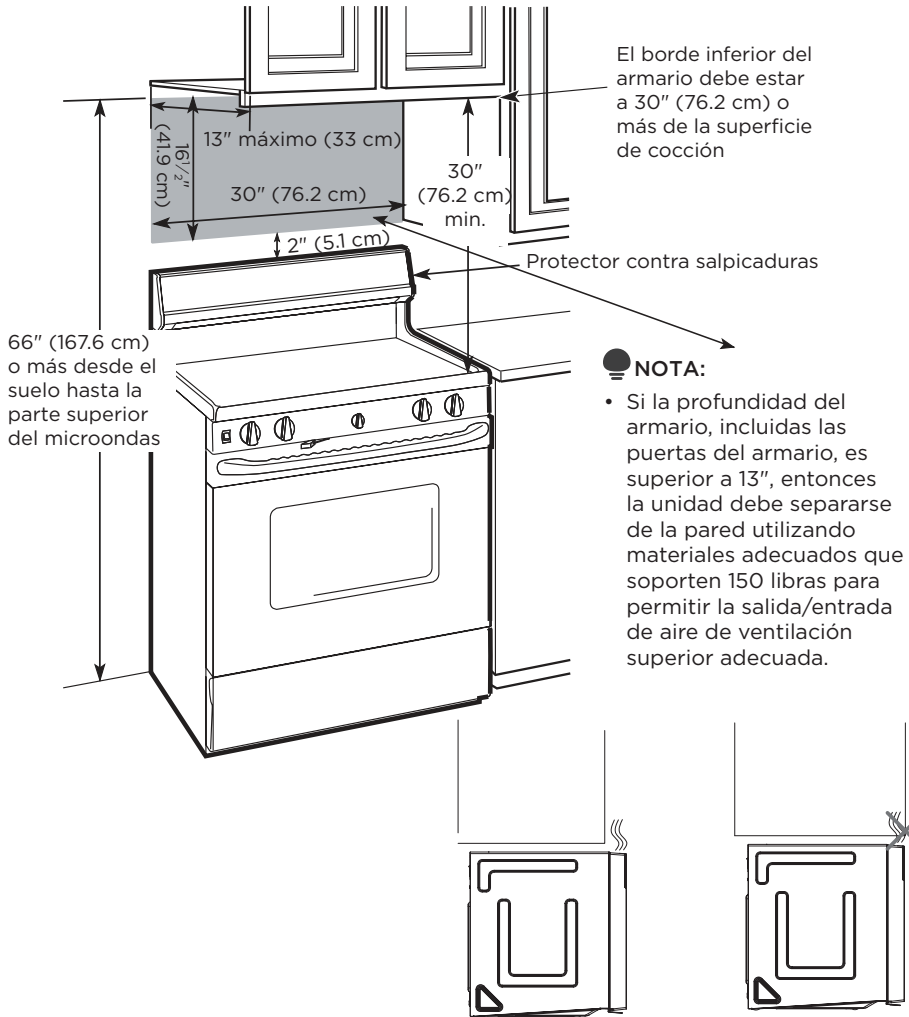


Nivel



Cinta adhesiva y de enmascaramiento

ESPACIO DE MONTAJE



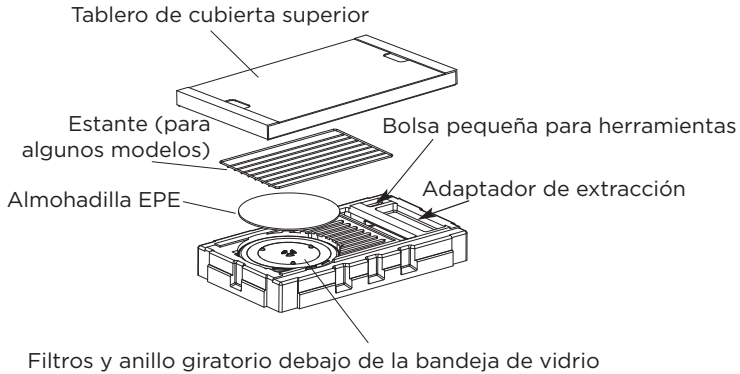
NOTA:

- El espacio entre los gabinetes debe ser de 30" (76.2 cm) de ancho y libre de obstrucciones.
- Si va a ventilar su horno microondas hacia el exterior, consulte la Sección de Escape de Campana para la preparación del conducto de escape.
- Cuando instale el horno de microondas debajo de gabinetes lisos y planos, tenga cuidado de seguir las instrucciones en la plantilla del gabinete superior para el espacio libre del cable de alimentación.
- Como guía para la instalación, consulte la página 25 para obtener información sobre la plantilla de montaje.

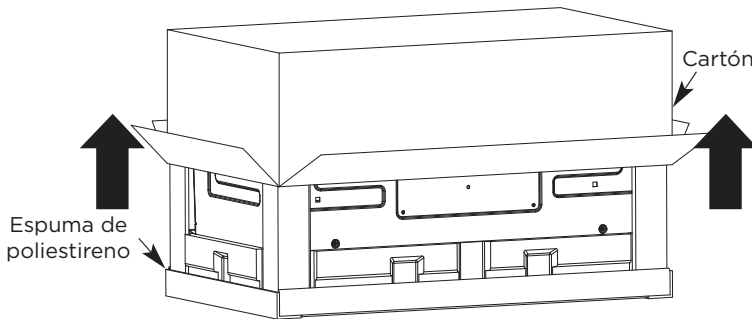
1. Colocación de la Placa de Montaje

A. SAQUE EL HORNO MICROONDAS DE LA CAJA/SAQUE LA PLACA DE MONTAJE

1. Retire la cubierta superior de cartón, las instrucciones de instalación, uso y cuidado, el adaptador de escape, el anillo del plato giratorio, la rejilla de división, los filtros, la bandeja de vidrio y la bolsa pequeña de herramientas. No retire la espuma de poliestireno que protege la parte delantera del horno.

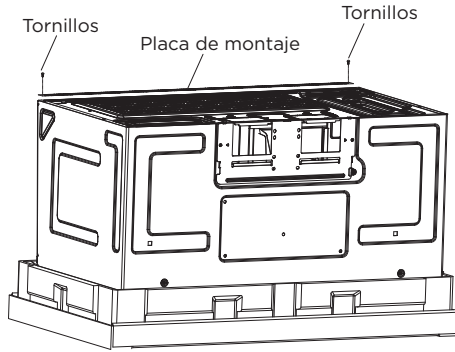


2. Doble hacia atrás las 4 solapas de la caja completamente contra los lados de la caja. A continuación, voltee con cuidado el horno y el cartón sobre la parte superior. El horno debe apoyarse en la espuma de poliestireno.



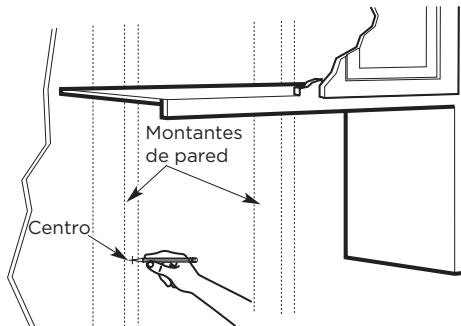
3. Tire de la caja hacia arriba y sáquela del horno.

4. Corte el centro de la bolsa de plástico protectora exterior para extraer la placa de montaje



5. Retire los tornillos de cada extremo de la placa de montaje. Esta placa se utilizará como plantilla de la pared trasera y para el montaje. Vuelva a instalar los tornillos en los orificios de donde se retiraron.

B. ENCONTRAR LAS VIGAS DE LA PARED

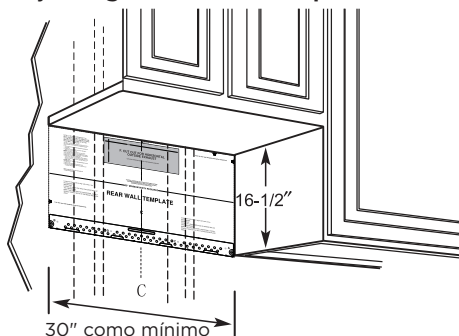


1. Encuentre las vigas, usando uno de los siguientes métodos:
 - Detector de vigas: dispositivo magnético que detecta clavos.
 - Golpee ligeramente con un martillo la superficie de montaje para encontrar un sonido sólido. Lo cual indicará la ubicación de una viga.
2. Después de ubicar las vigas, busque el centro tanteando la pared con un clavo pequeño para encontrar los bordes de la viga. Luego coloque una marca en medio de los bordes. El centro de cualquier viga adyacente debe estar a 16" (40.6 cm) o 24" (61 cm) de esta marca.
3. Trace una línea en el centro de las vigas.

EL MICROONDAS DEBE ESTAR CONECTADO AL MENOS A UNA VIGA DE LA PARED.

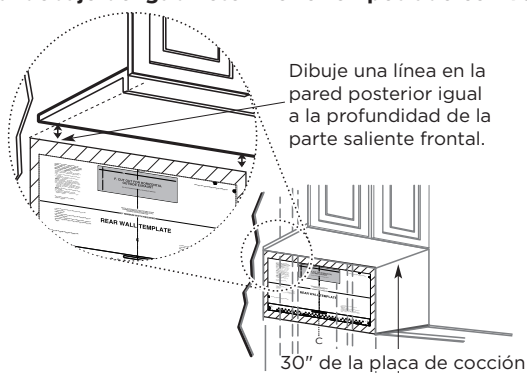
C. DETERMINAR LA UBICACIÓN DE LA PLACA DE PARED DEBAJO DE SU GABINETE

Posición de la placa debajo del gabinete de fondo plano

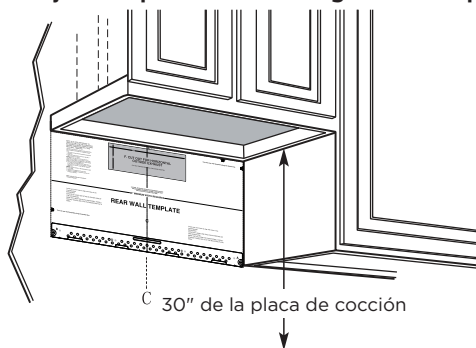


Trace una línea vertical en la pared en el centro del espacio de 30" de ancho. Pegue con cinta adhesiva la Plantilla de Pared Trasera en la pared haciendo coincidir la línea central y tocando la parte inferior del gabinete.

Posición de la placa: debajo del gabinete inferior empotrado con voladizo frontal



Posición de la placa: debajo de la parte inferior del gabinete empotrado enmarcado



Trace una línea vertical en la pared en el centro del espacio de 30". Pegue con cinta adhesiva la Plantilla de Pared Trasera en la pared haciendo coincidir la línea central y tocando el marco inferior del gabinete.

Sus gabinetes pueden tener molduras decorativas que interfieren con la instalación del microondas.

Retire la moldura decorativa para instalar correctamente el microondas y nivelarlo.

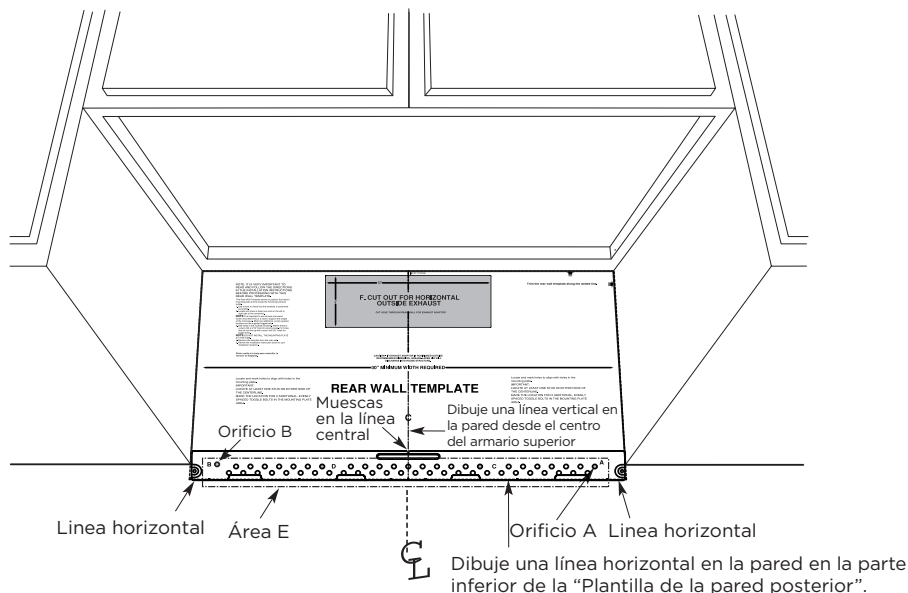
EL MICROONDAS DEBE ESTAR NIVELADO.

Utilice un nivel para asegurarse de que el fondo del gabinete está nivelado.

Si los gabinetes solo tienen un voladizo frontal, sin marco posterior ni lateral, instale la placa de montaje a la misma distancia que la profundidad del voladizo frontal. Esto mantendrá el microondas nivelado.

1. Mida la profundidad interior del voladizo delantero.
2. Trace una línea horizontal en la pared trasera a la misma distancia por debajo del fondo del gabinete que la profundidad interior del voladizo frontal.
3. Para este tipo de instalación sólo con voladizo frontal, alinee las pestañas de montaje con esta línea horizontal, sin tocar el fondo del gabinete como se describe en el paso D.

D. ALINEACIÓN DE LA PLACA DE PARED



PRECAUCIÓN:

Utilice guantes para evitar cortarse los dedos con los bordes afilados.

1. Trace una línea vertical en la pared en el centro del espacio de 30" de ancho.
2. Trace una línea horizontal en la pared en la parte inferior de la "Plantilla de pared posterior".
3. Busque una viga de pared en el área "E" de la placa de montaje. Consulte la sección 1B. Encontrar las vigas de la pared.
4. Para fijar la placa de montaje en la viga, taladre un orificio de 3/16" en la viga de madera. Perfore un orificio de 5/8" para el perno de palanca en otra ubicación (Orificio A o B).

NOTA:

NO MONTE LA PLACA EN ESTE MOMENTO.

NOTA:

Los orificios A y B están dentro del área E. Si ninguno de los orificios A y B están en una viga, encuentre una viga en algún lugar del área E y dibuje un círculo para alinearlos con la viga. Es importante tener al menos un tornillo para madera fijado firmemente en una viga para soportar el peso del microondas. Coloque la placa de montaje a un lado.

2. Tipos de Instalación (Elija A, B o C)

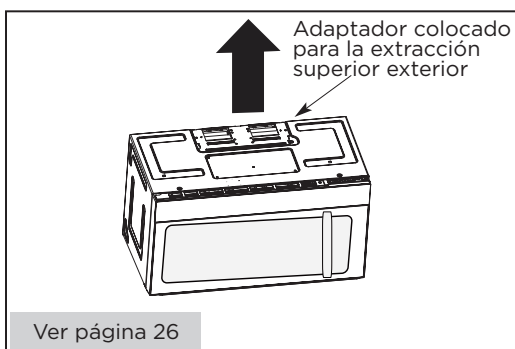
Este horno de microondas está diseñado para adaptarse a los siguientes tres tipos de ventilación:

- A. Escape Superior Exterior (Conducto Vertical)
- B. Escape Trasero Exterior (Conducto Horizontal)
- C. Recirculación (Sin Conductos de Ventilación)

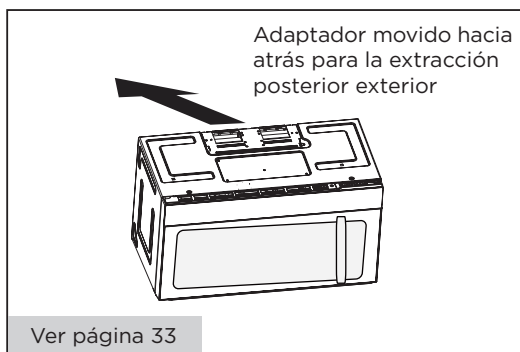
NOTA:

Este microondas se envía ensamblado para Recirculación. Seleccione el tipo de ventilación necesario para su instalación y pase a esa sección.

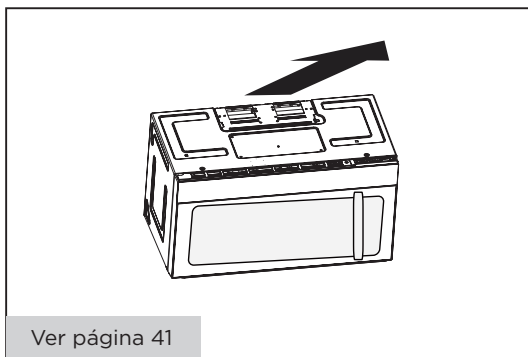
A. ESCAPE SUPERIOR EXTERIOR (CONDUCTO VERTICAL)



B. ESCAPE TRASERO EXTERIOR (CONDUCTO HORIZONTAL)



C. RECIRCULACIÓN (SIN CONDUCTOS DE VENTILACIÓN)



Los modelos se envían con escape para recirculación. Algunos modelos tienen instalado un filtro de carbón desechable para ayudar a eliminar el humo y los olores.

● NOTA:

Lea las dos páginas siguientes solo si tiene previsto realizar la ventilación de escape al exterior. Si va a recircular el aire del ambiente en el lugar, vaya a la página 23-26.

Instrucciones de Instalación para Conductos de Escape Externos

● NOTA:

Si necesita instalar conductos, tenga en cuenta que la longitud total del conducto rectangular de 3 1/4" x 10" (8.2 cm x 25.4 cm) o redondo de 5" (12.7 cm) / 6" (15.2 cm) de diámetro, no debe superar los 120 pies equivalentes (36.5 m).

La ventilación exterior requiere un CONDUCTO DE ESCAPE EXTERNO. Lea atentamente lo siguiente.

● NOTA:

Es importante que la ventilación se instale usando la ruta más directa y con la menor cantidad de codos posible. Esto asegura una ventilación despejada del escape y ayuda a prevenir obstrucciones.

Asegúrese también de que las compuertas oscilan libremente y de que nada obstruye los conductos.

Conexión del escape:





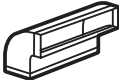
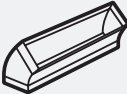


El adaptador de extracción ha sido diseñado para acoplarse a un conducto rectangular estándar de 8.2 cm x 25.4 cm (3 1/4" x 10").

Si se requiere un conducto redondo, se debe usar un adaptador de transición de rectangular a redondo. Se puede utilizar un conducto de diámetro de A5" (12.7 cm) / 6" (15.2 cm).

Longitud máxima del conducto:

Para que el movimiento del aire sea satisfactorio, la longitud total del conducto rectangular de 3 1/4" x 10" (8.2 cm x 25.4 cm) o redondo de 5" (12.7 cm) / 6" (15.2 cm) de diámetro, no debe superar los 120 pies equivalentes (36.5 m).

Los codos, transiciones, tapas de paredes y techos, etc., presentan una resistencia adicional al flujo de aire y equivalen a una sección de conducto recto más larga que su tamaño físico real. Al calcular la longitud total del conducto, sume las longitudes equivalentes de todas las transiciones y adaptadores más la longitud de todos los tramos rectos del conducto. La siguiente tabla muestra cómo calcular la longitud total equivalente de los conductos utilizando los pies aproximados de longitud equivalente de algunos conductos típicos.

PIEZAS DEL CONDUCTO		LONGITUD EQUIVALENTE	x	CANTIDAD UTILIZADA	=	LONGITUD EQUIVALENTE
	Adaptador de Transición de Rectangular a Redondo*.	5 pies (1.5 m)	x	()	=	pies o m
	Tapa de Pared	40 pies (12.2 m)	x	()	=	pies o m
	Codo de 90°	10 pies (3 m)	x	()	=	pies o m
	Codo de 45°	5 pies (1.5 m)	x	()	=	pies o m
	Codo de 90°	25 pies (7.6 m)	x	()	=	pies o m
	Codo de 45°	5 pies (1.5 m)	x	()	=	pies o m
	Tapa de Techo	24 pies (7.3 m)	x	()	=	pies o m
	Conducto Recto Redondo de 6" (15.2 cm) o Rectangular de 3 1/4" x 10" (8.2 x 25.4 cm)	1 pie (0.3 m)	x	()	=	pies o m
			Conductos Totales		=	pies o m





* IMPORTANTE: Si se utiliza un adaptador de transición de rectangular a redondo, habrá que cortar las esquinas inferiores de la compuerta para que encajen, utilizando tijeras para hojalata, con el fin de permitir el libre movimiento de la compuerta.

Las longitudes equivalentes de los conductos se basan en pruebas reales y reflejan los requisitos para un buen desempeño de la ventilación con cualquier campana de ventilación.

Conductos de Escape Externos

ESCAPE SUPERIOR EXTERIOR (SOLO COMO EJEMPLO)

El siguiente cuadro describe un ejemplo de una posible instalación de conductos.

PIEZAS DEL CONDUCTO	LONGITUD EQUIVALENTE	x	CANTIDAD UTILIZADA	=	LONGITUD EQUIVALENTE
 Tapa de Techo	24 pies (7.3 m)	x	(1)	=	24 pies (7.3 m)
 Conducto Recto de 12 pies (3.6 m) y Redondo 6"/15.2 cm	12 pie (3.6 m)	x	(1)	=	12 pie (3.6 m)
 Adaptador de Transición de Rectangular a Redondo*.	5 pies (1.5 m)	x	(1)	=	5 pies (1.5 m)
Las longitudes equivalentes de los conductos se basan en pruebas reales y reflejan los requisitos para un buen desempeño de la ventilación con cualquier campana de ventilación.			Longitud Total	=	41 pies (12.5 m)




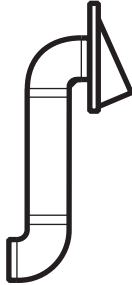
* IMPORTANTE: Si se utiliza un adaptador de transición de rectangular a redondo, habrá que cortar las esquinas inferiores de la compuerta para que encajen, utilizando tijeras para hojalata, con el fin de permitir el libre movimiento de la compuerta.

ESCAPE TRASERO EXTERIOR (SOLO COMO EJEMPLO)

El siguiente cuadro describe un ejemplo de una posible instalación de conductos.

PIEZAS DEL CONDUCTO	LONGITUD EQUIVALENTE	x	CANTIDAD UTILIZADA	=	LONGITUD EQUIVALENTE
 Tapa de Pared	40 pies (12.2 m)	x	(1)	=	40 pies (12.2 m)
 Conducto Recto de 3 pies y Rectangular (3 1/4"x 10"/ 8.2 x 25.4 cm)	3 pies (0.9 m)	x	(1)	=	3 pies (0.9 m)

	Codo de 90°	10 pies (3 m)	x	(2)	=	20 pies (3 m)
Las longitudes equivalentes de los conductos se basan en pruebas reales y reflejan los requisitos para un buen desempeño de la ventilación con cualquier campana de ventilación.				Longitud Total	=	63 pies (19.2 m)



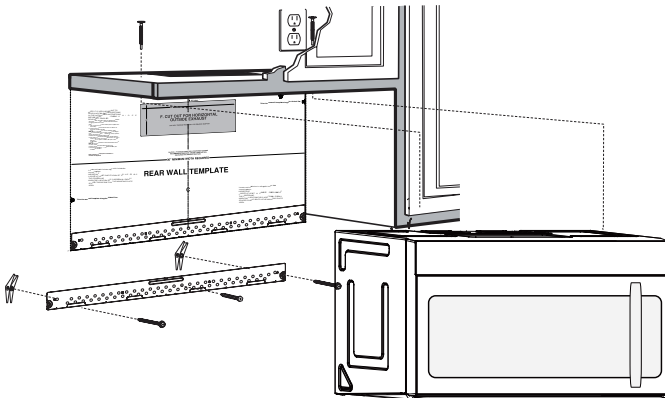
NOTA:

Para el escape trasero, se debe tener cuidado de alinear el escape con el espacio entre las vigas, o se debe preparar la pared en el momento de construirla dejando suficiente espacio entre las vigas de la pared para acomodar el escape.

A. ESCAPE SUPERIOR EXTERIOR (Conducto Vertical)

REVISIÓN DE LA INSTALACIÓN

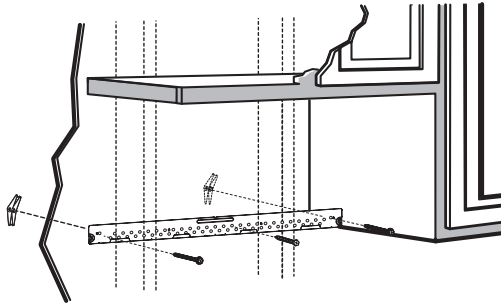
- A1. Fije la placa de montaje a la pared
- A2. Preparar el gabinete superior
- A3. Configurar el ventilador del microondas para escape exterior/superior
- A4. Comprobar el funcionamiento de la compuerta
- A5. Montar el horno microondas
- A6. Ajustar el adaptador del escape
- A7. Conectar los conductos



NOTAS IMPORTANTES:

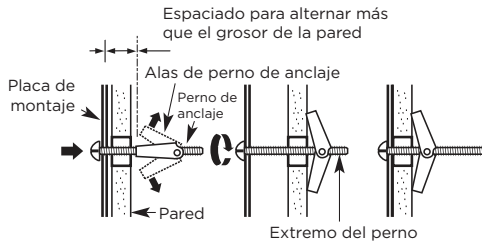
1. Asegúrese de que los tornillos del motor del ventilador y la placa del ventilador estén bien apretados cuando estén instalados. Esto ayudará a evitar vibraciones excesivas.
2. Asegúrese de que el cableado del motor se haya instalado y asegurado correctamente, y que los cables no estén aplastados.

A1. FIJACIÓN DE LA PLACA DE MONTAJE A LA PARED



- Fije la placa a la pared utilizando pernos de anclaje.
 - Se debe utilizar al menos un tornillo para madera para fijar la placa a un montante de pared.
1. Retire las alas de anclaje de los pernos
 2. Inserte los pernos en la placa de montaje a través de los orificios designados para la pared de yeso y vuelva a colocar las alas de anclaje a 3/4" (19 mm) en cada perno.

Para utilizar pernos de anclaje:



3. Coloque la placa de montaje contra la pared e inserte las alas de anclaje en los orificios de la pared para montar la placa.

NOTA:

Antes de apretar los pernos de anclaje y el tornillo para madera, asegúrese de que la parte inferior de la placa de montaje toque la parte inferior del armario cuando se empuje al ras contra la pared y que la placa esté correctamente centrada debajo del armario.

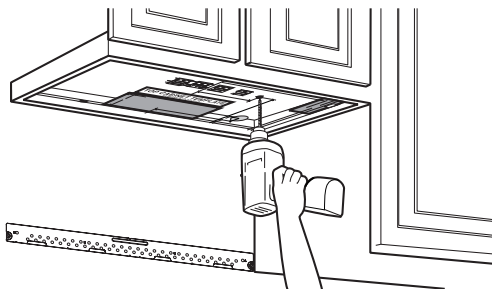
PRECAUCIÓN:

Tenga cuidado y evite pillarse los dedos entre la parte posterior de la placa de montaje y la pared.

4. Apriete todos los tornillos. Retire la placa de la pared para ayudar a apretar los pernos.

A2. UTILICE LA PLANTILLA DEL ARMARIO SUPERIOR PARA LA PREPARACIÓN DEL ARMARIO SUPERIOR

Taladre los orificios para los tornillos de soporte superiores, un orificio lo suficientemente grande para que pase el cable de alimentación y un corte lo suficientemente grande para el adaptador de extracción.



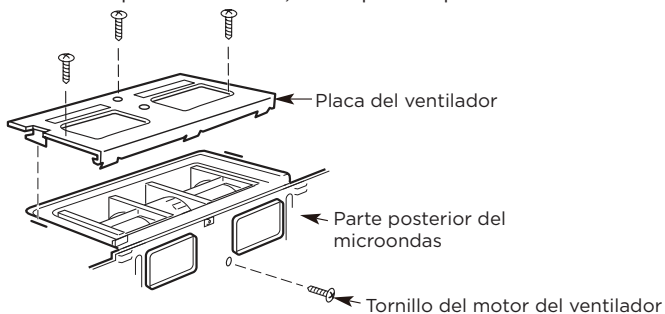
1. Lea las instrucciones de la PLANTILLA DEL ARMARIO SUPERIOR.
2. Péguelo debajo del armario superior.
3. Taladre los orificios siguiendo las instrucciones de la PLANTILLA DEL ARMARIO SUPERIOR.

PRECAUCIÓN:

Utilice lentes de seguridad cuando taladre orificios en la parte inferior del armario.

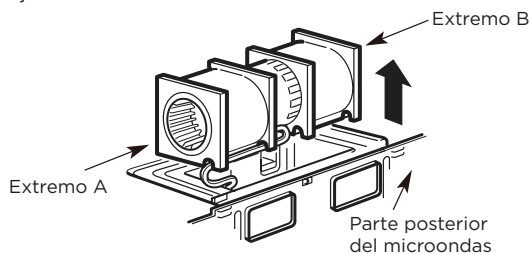
A3. ADAPTACIÓN DEL VENTILADOR DE MICROONDAS PARA LA EXTRACCIÓN SUPERIOR EXTERNA

1. Coloque el microondas en posición vertical, con la parte superior de la unidad hacia arriba.

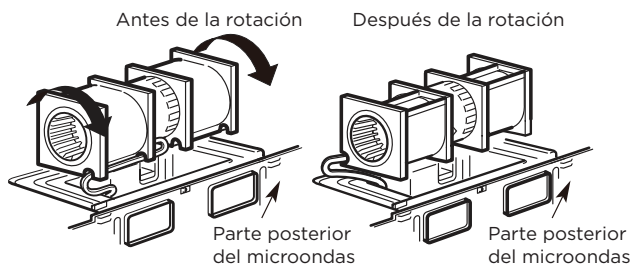


Retire el tornillo que sujeta la placa del ventilador al microondas. Retire y guarde el tornillo que sujeta el motor del ventilador al microondas.

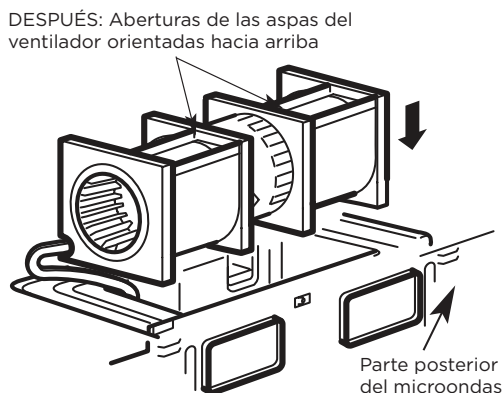
2. Extraiga con cuidado la unidad del ventilador. Los cables se extenderán lo suficiente para permitirle ajustar la unidad del ventilador.



3. Gire la unidad del ventilador 90° para que las aberturas de las aspas del ventilador queden hacia afuera de la parte superior del microondas.



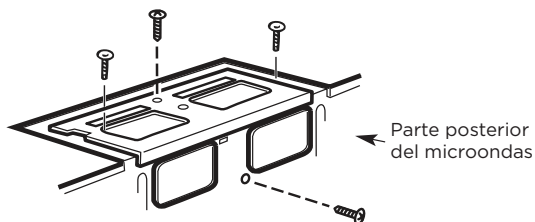
4. Vuelva a colocar la unidad del ventilador en la abertura.



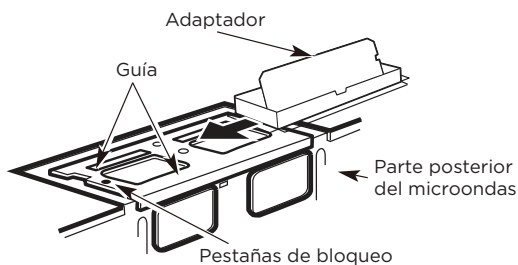
! PRECAUCIÓN:

No tire ni estire el cableado de la unidad del ventilador. Asegúrese de que los cables no estén aplastados y que estén correctamente asegurados.

5. Asegure la unidad del ventilador al microondas con el tornillo retirado en el Paso 1. Asegúrese de que el tornillo esté apretado.
6. Vuelva a colocar la placa del ventilador con el tornillo retirado en el Paso 1. Asegúrese de que el tornillo esté apretado.

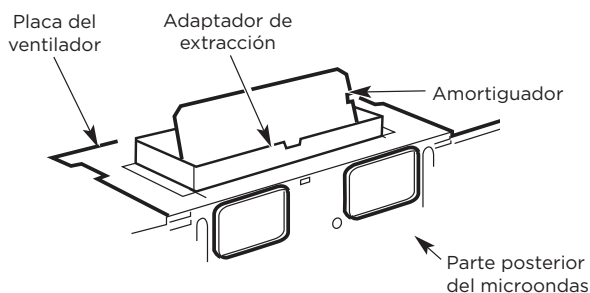


7. Fije el adaptador de extracción a la parte superior de la placa del ventilador deslizándolo en las guías de la placa del ventilador.



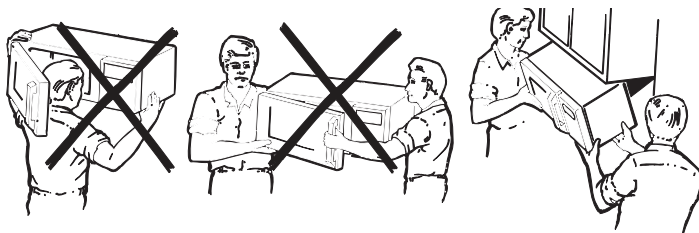
Presione firmemente hasta que quede en las lengüetas de bloqueo. Asegúrese de que la bisagra del amortiguador esté instalada de forma que el amortiguador oscile libremente.

A4. COMPOBACIÓN DEL CORRECTO FUNCIONAMIENTO DEL AMORTIGUADOR



- Antes de montar el microondas, asegúrese de que se haya retirado la cinta adhesiva que sujeta el amortiguador y de que ésta gire con facilidad.
- Tendrá que hacer ajustes para asegurar una alineación adecuada con el conducto de extracción de su casa después de instalar el microondas.

A5. MONTAJE DEL HORNO MICROONDAS



PARA UNA FÁCIL INSTALACIÓN Y SEGURIDAD PERSONAL, RECOMENDAMOS QUE DOS PERSONAS INSTALEN ESTE HORNO MICROONDAS.

IMPORTANTE: No sujete ni utilice el mango o el protector térmico durante la instalación. No retire los separadores de cartón entre el protector térmico y la puerta.

NOTA:

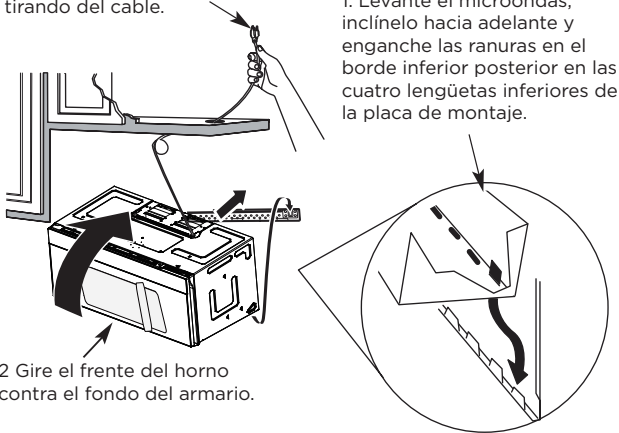
Si su armario es de metal, utilice la arandela de nailon alrededor del orificio del cable de alimentación para evitar que se corte el cable.

NOTA:

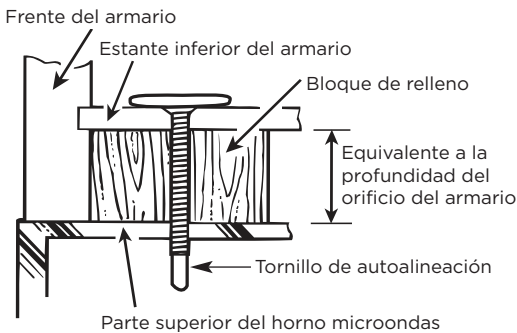
Se recomienda utilizar bloques de relleno si la parte delantera del armario cuelga por debajo del estante inferior del armario.

IMPORTANTE: Si no se utilizan los bloques de relleno, se pueden producir daños en la carcasa debido a un apriete excesivo de los tornillos.

NOTA: Al montar el horno microondas, pase el cable de alimentación a través del orificio en la parte inferior del armario superior. Manténgalo apretado durante los pasos 1-3. No aplaste el cable ni levante el horno tirando del cable.

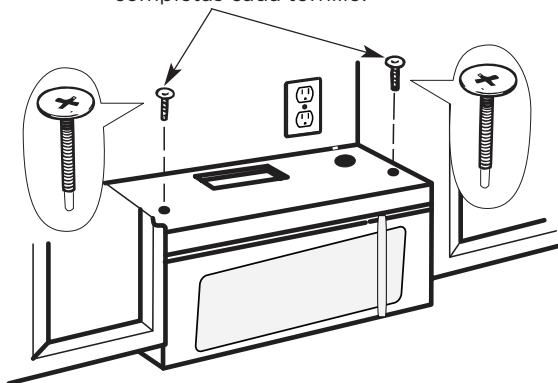


3. Inserte un tornillo de autoalineación a través del orificio central superior del armario. Asegure temporalmente el horno girando el tornillo al menos dos vueltas completas después de que las roscas hayan encajado. (Se apretará completamente más tarde). Asegúrese de mantener apretado el cable de alimentación. Tenga cuidado de no aplastar el cable, especialmente cuando lo monte al ras de la parte inferior del armario.

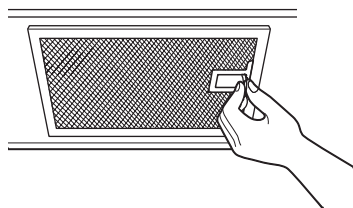


4. Fije el horno microondas al armario superior.

5. Inserte 2 tornillos de autoalineación a través de los orificios exteriores del armario superior. Gire dos vueltas completas cada tornillo.



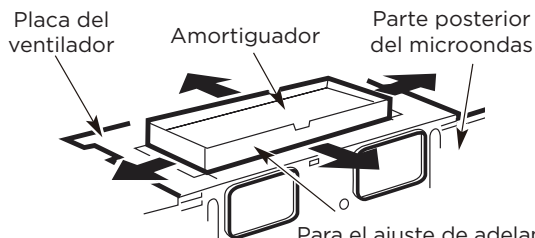
6. Apriete los dos tornillos exteriores a la parte superior del horno microondas. (Mientras aprieta los tornillos, sujete el horno microondas contra la pared y el armario superior).



7. Instale los filtros de grasa. Consulte la Guía de uso y cuidado incluida con el microondas.

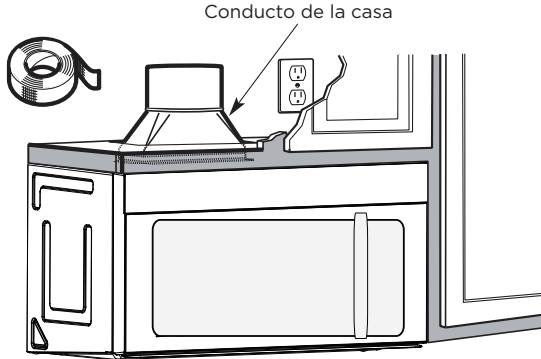
A6. AJUSTE DEL ADAPTADOR DE EXTRACCIÓN

Abra el armario superior y ajuste el adaptador de extracción para conectarlo al conducto de la casa.



Para el ajuste de adelante hacia atrás o de lado a lado, deslice el adaptador de extracción según sea necesario.

A7. CONEXIÓN DEL CONDUCTO

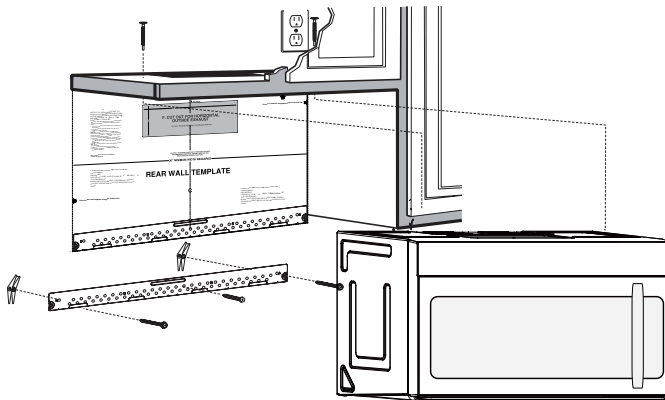


1. Extienda el conducto de la casa hacia abajo para conectarlo al adaptador de extracción.
2. Selle las juntas del conducto de extracción con cinta adhesiva para conductos de alta temperatura

B. ESCAPE TRASERO EXTERIOR (conducto horizontal)

REVISIÓN DE LA INSTALACIÓN

- B1. Prepare la pared posterior
- B2. retiro de la placa del ventilador
- B3. Fije la placa de montaje a la pared
- B4. Preparar el gabinete superior
- B5. Ajuste el ventilador
- B6. montaje del horno microondas

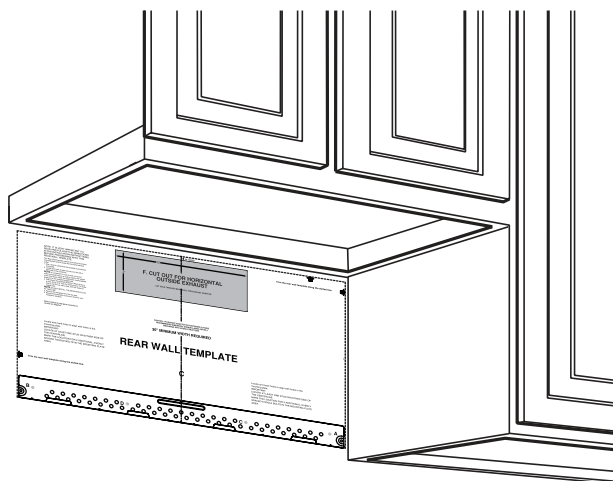


NOTAS IMPORTANTES:

1. Asegúrese de que los tornillos para el motor del ventilador y la placa del ventilador estén bien apretados cuando se vuelvan a instalar. Esto ayudará a evitar vibraciones excesivas.
2. Asegúrese de que el cableado del motor se haya instalado y asegurado correctamente, y que los cables no estén aplastados.

B1. PREPARACIÓN DE LA PARED POSTERIOR PARA LA EXTRACCIÓN POSTERIOR EXTERIOR

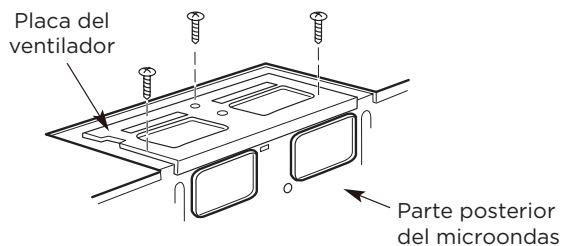
Es necesario cortar una abertura en la pared posterior para la extracción exterior.



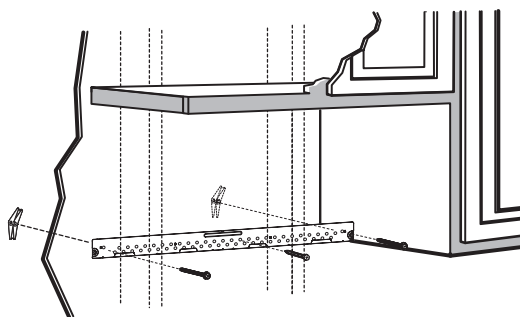
1. Lea las instrucciones de la PLANTILLA DE PARED POSTERIOR. Péguela a la pared posterior.
2. Corte la abertura, siguiendo las instrucciones de la
3. PLANTILLA DE PARED POSTERIOR.

B2. RETIRO DE LA PLACA DEL VENTILADOR

Retire y guarde el tornillo que sujeta la placa del ventilador al microondas. Levante la placa del ventilador.



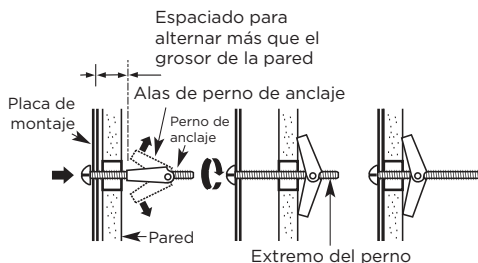
B3. FIJACIÓN DE LA PLACA DE MONTAJE A LA PARED



Fije la placa a la pared utilizando pernos de anclaje. Se debe utilizar al menos un tornillo para madera para fijar la placa a un montante de pared.

1. Retire las alas de anclaje de los pernos.
2. Inserte los pernos en la placa de montaje a través de los orificios designados para la pared de yeso y vuelva a colocar las alas de anclaje a 3/4" (19 mm) en cada perno.

Para utilizar pernos de anclaje:



3. Coloque la placa de montaje contra la pared e inserte las alas de anclaje en los orificios de la pared para montar la placa.

NOTA:

Antes de apretar los pernos de anclaje y el tornillo para madera, asegúrese de que la parte inferior de la placa de montaje toque la parte inferior del armario cuando se empuje al ras contra la pared y que la placa esté correctamente centrada debajo del armario.

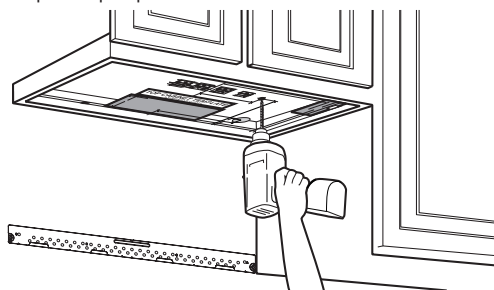
PRECAUCIÓN:

Tenga cuidado de no pillarse los dedos entre la parte posterior de la placa de montaje y la pared.

4. Apriete todos los tornillos. Retire la placa de la pared para ayudar a apretar los pernos.

B4. UTILICE LA PLANTILLA DEL ARMARIO SUPERIOR PARA LA PREPARACIÓN DEL ARMARIO SUPERIOR

Es necesario taladrar orificios para los tornillos del soporte superior y un orificio lo suficientemente grande para que pase el cable de alimentación.



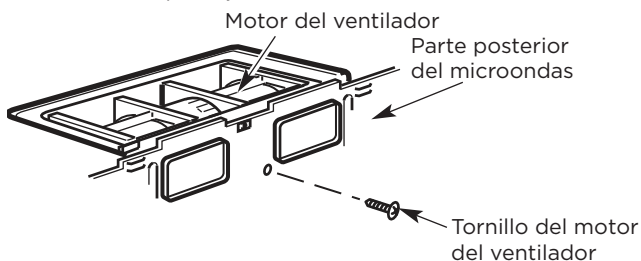
1. Lea las instrucciones de la PLANTILLA DEL ARMARIO SUPERIOR.
2. Péguelo debajo del armario superior.
3. Taladre los orificios siguiendo las instrucciones de la PLANTILLA DEL ARMARIO SUPERIOR.

PRECAUCIÓN:

Utilice lentes de seguridad cuando taladre orificios en la parte inferior del armario.

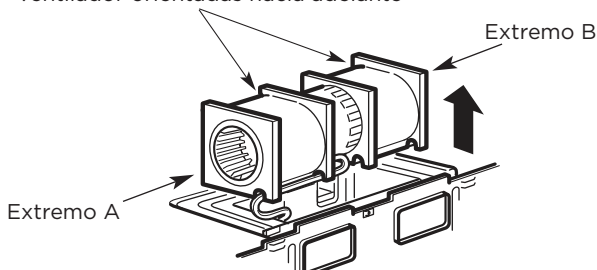
B5. ADAPTACIÓN DEL VENTILADOR DE MICROONDAS PARA LA EXTRACCIÓN POSTERIOR EXTERNA

1. Retire y guarde el tornillo que sujeta el motor del ventilador al microondas.

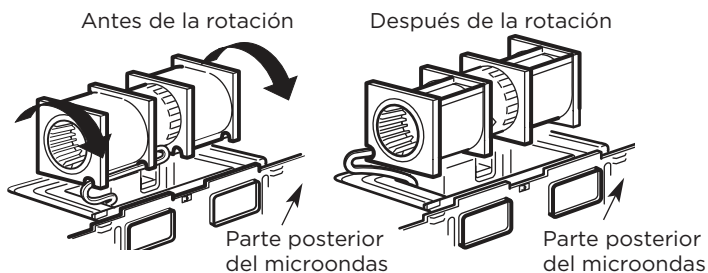


2. Extraiga con cuidado la unidad del ventilador. Los cables se extenderán lo suficiente para permitirle ajustar la unidad del ventilador.

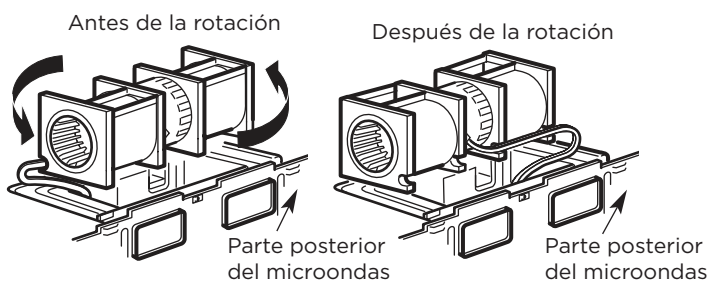
Antes: Aberturas de las aspas del ventilador orientadas hacia adelante



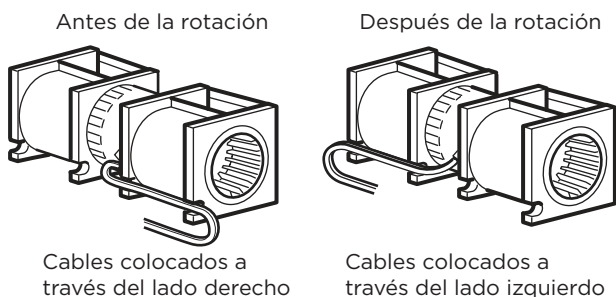
3. Gire la unidad del ventilador 90°.



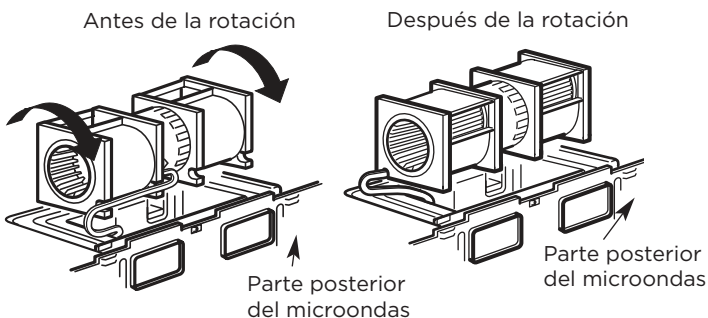
4. Gire la unidad del ventilador 180° en sentido antihorario.



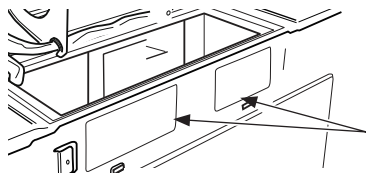
5. Retire con cuidado los cables de las ranuras. Vuelva a pasar los cables por las ranuras del otro lado de la unidad del ventilador.



6. Gire la unidad del ventilador 90° de modo que las aberturas de las aspas del ventilador queden orientadas hacia la parte posterior del microondas.



7. Retire las placas ciegas de la parte posterior de la unidad con unas tijeras. (para algunos modelos)

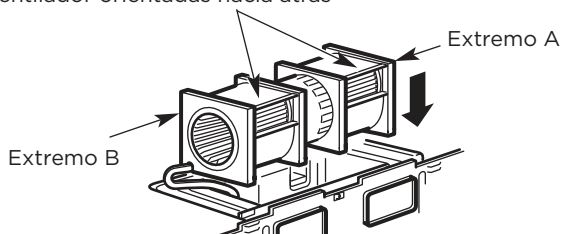


Parte posterior del microondas

Placas ciegas: Corte las 4 bandas de cada panel ciego y retire los orificios ciegos de metal para el flujo de aire posterior. Tenga cuidado al retirar los bordes afilados creados al retirar las placas ciegas.

8. Vuelva a colocar la unidad del ventilador en la abertura.

DESPUÉS: Aberturas de las aspas del ventilador orientadas hacia atrás



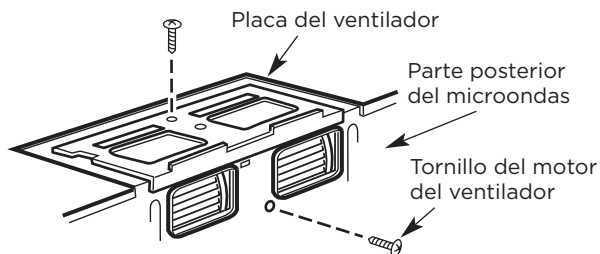
PRECAUCIÓN:

No tire ni estire el cableado de la unidad del ventilador. Asegúrese de que los cables no estén aplastados y que estén correctamente asegurados.

NOTA:

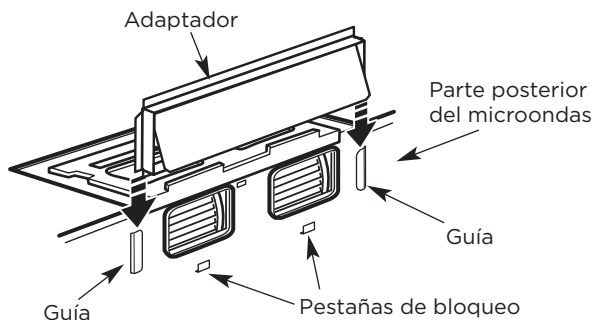
Las aberturas de extracción de la unidad del ventilador deben coincidir con las aberturas de extracción de la parte posterior del horno microondas.

9. Asegure la unidad del ventilador al microondas con el tornillo original.



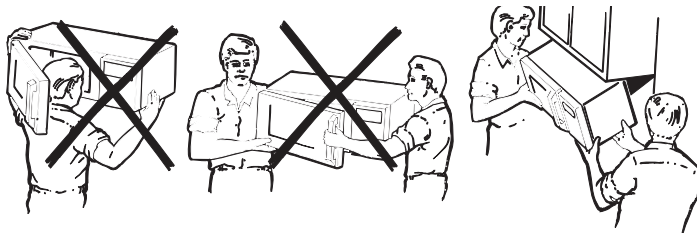
10. Vuelva a colocar la placa del ventilador en la misma posición que antes con el tornillo. Asegúrese de que el tornillo esté apretado.

11. Fije el adaptador de extracción a la parte posterior del horno deslizando en las guías de la parte superior central de la parte posterior del horno.



Empújelo firmemente hasta que quede en las lengüetas de bloqueo inferiores. Asegúrese de que la bisagra del amortiguador esté instalada de modo que quede en la parte superior y que el amortiguador oscile libremente.

B6. MONTAJE DEL HORNO MICROONDAS



PARA UNA FÁCIL INSTALACIÓN Y SEGURIDAD PERSONAL, RECOMENDAMOS QUE DOS PERSONAS INSTALEN ESTE HORNO MICROONDAS.

IMPORTANTE: No sujete ni utilice el mango o el protector térmico durante la instalación. No retire los separadores de cartón entre el protector térmico y la puerta.

● NOTA:

Si su armario es de metal, utilice la arandela de nailon alrededor del orificio del cable de alimentación para evitar que se corte el cable.

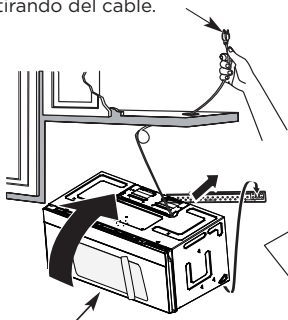
● NOTA:

Se recomienda utilizar bloques de relleno si la parte delantera del armario cuelga por debajo del estante inferior del armario.

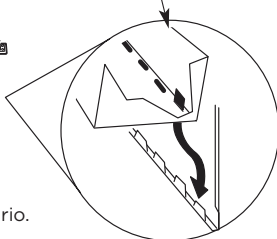
IMPORTANTE: Si no se utilizan los bloques de relleno, se pueden producir daños en la carcasa debido a un apriete excesivo de los tornillos.

NOTA: Al montar el horno microondas, pase el cable de alimentación a través del orificio en la parte inferior del armario superior. Manténgalo apretado durante los pasos 1-3. No aplaste el cable ni levante el horno tirando del cable.

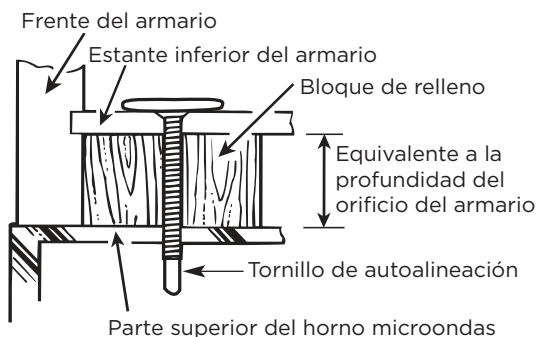
1. Levante el microondas, inclínelo hacia adelante y enganche las ranuras en el borde inferior posterior en las cuatro lengüetas inferiores de la placa de montaje.



2. Gire el frente del horno contra el fondo del armario.

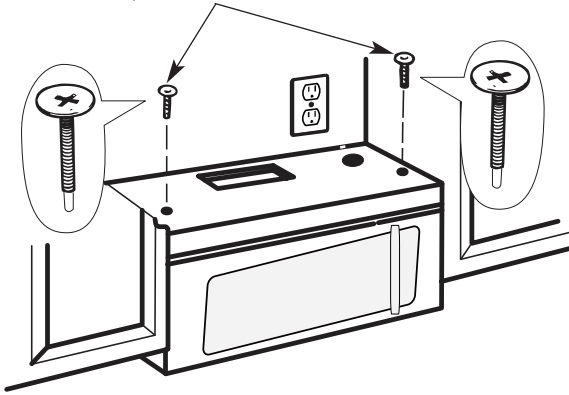


3. Inserte un tornillo de autoalineación a través del orificio central superior del armario. Asegure temporalmente el horno girando el tornillo al menos dos vueltas completas después de que las roscas hayan encajado (se apretará completamente más tarde). Asegúrese de mantener apretado el cable de alimentación. Tenga cuidado de no aplastar el cable, especialmente cuando lo monte al ras de la parte inferior del armario.

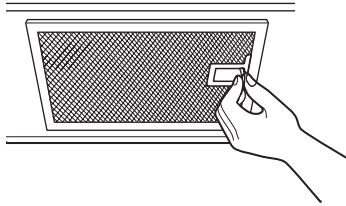


4. Fije el horno microondas al armario superior.

5. Inserte 2 tornillos de autoalineación a través de los orificios exteriores del armario superior. Gire dos vueltas completas cada tornillo.



6. Apriete los dos tornillos exteriores a la parte superior del horno microondas. (Mientras aprieta los tornillos, sujete el horno microondas contra la pared y el armario superior).

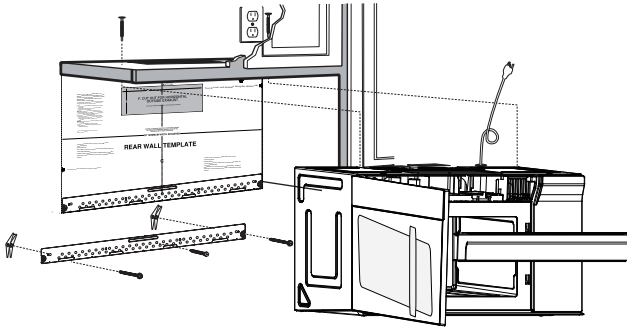


7. Instale los filtros de grasa. Consulte la Guía de uso y cuidado incluida con el microondas para obtener más información.

C. RECIRCULACIÓN (sin conductos de ventilación)

REVISIÓN DE LA INSTALACIÓN

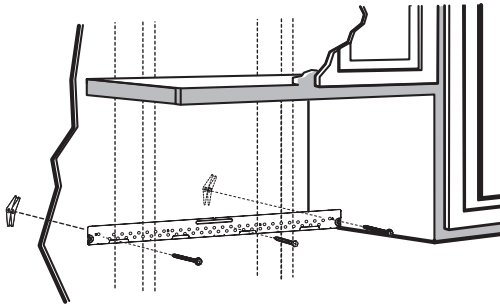
- C1. Fije la placa de montaje a la pared
- C2. Preparar el gabinete superior
- C3. comprobación de la placa del ventilador
- C4. montaje del horno microondas
- C5. Instale o cambie el filtro de carbón



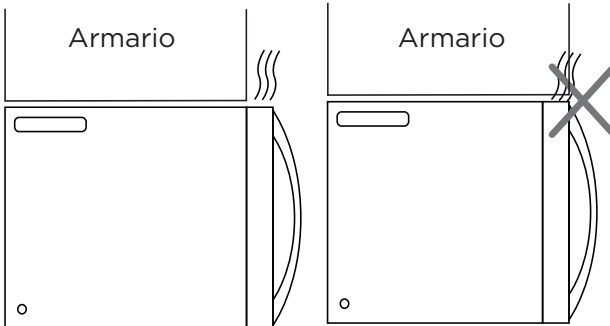
NOTAS IMPORTANTES:

1. Asegúrese de que los tornillos para el motor del ventilador y la placa del ventilador estén bien apretados cuando se vuelvan a instalar. Esto ayudará a evitar vibraciones excesivas.
2. Asegúrese de que el cableado del motor se haya instalado y asegurado correctamente, y que los cables no estén aplastados.

C1 FIJACIÓN DE LA PLACA DE MONTAJE A LA PARED

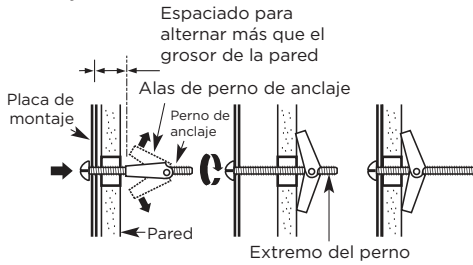


Fije la placa a la pared utilizando pernos de anclaje. Se debe utilizar al menos un tornillo para madera para fijar la placa a un montante de pared.
 Si la profundidad del armario, incluidas las puertas del armario, es superior a 13", entonces la unidad debe separarse de la pared utilizando materiales adecuados que soporten 150 libras para permitir la salida/entrada de aire de ventilación superior adecuada.



1. Retire las alas de anclaje de los pernos.
2. Inserte los pernos en la placa de montaje a través de los orificios designados para la pared de yeso y vuelva a colocar las alas de anclaje de 3/4" a (19 mm) en cada perno.

Para utilizar pernos de anclaje:



3. Coloque la placa de montaje contra la pared e inserte las alas de anclaje en los orificios de la pared para montar la placa.

NOTA:

Antes de apretar los pernos de anclaje y el tornillo para madera, asegúrese de que la parte inferior de la placa de montaje toque la parte inferior del armario cuando se empuje al ras contra la pared y que la placa esté correctamente centrada debajo del armario.

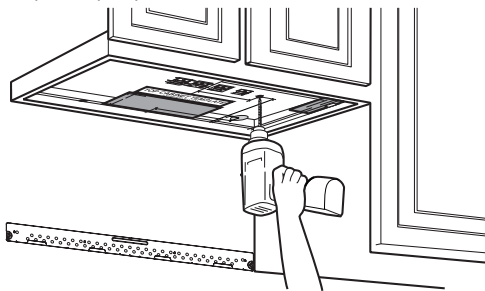
PRECAUCIÓN:

Tenga cuidado de no pillarse los dedos entre la parte posterior de la placa de montaje y la pared.

4. Apriete todos los tornillos. Retire la placa de la pared para ayudar a apretar los pernos.

C2 UTILICE LA PLANTILLA DEL ARMARIO SUPERIOR PARA LA PREPARACIÓN DEL ARMARIO SUPERIOR

Es necesario taladrar orificios para los tornillos del soporte superior y un orificio lo suficientemente grande para que pase el cable de alimentación.



1. Lea las instrucciones de la PLANTILLA DEL ARMARIO SUPERIOR.
2. Péguelo debajo del armario superior.

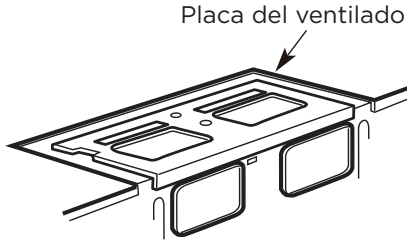
NOTA:

Ajuste la plantilla superior según corresponda si el microondas está separado de la pared debido a una profundidad del armario (incluidas las puertas del armario) de más de 13". Taladre los orificios siguiendo las instrucciones de la PLANTILLA DEL ARMARIO SUPERIOR.

PRECAUCIÓN:

Utilice lentes de seguridad cuando taladre orificios en la parte inferior del armario.

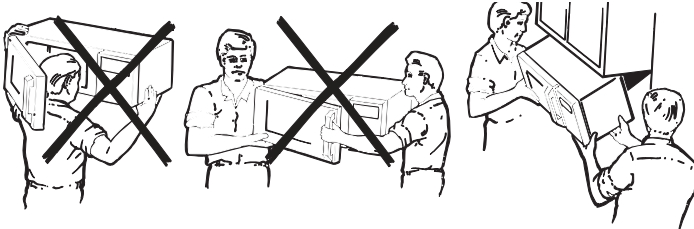
C3. COMPROBACIÓN DE LA PLACA DEL VENTILADOR



Coloque el microondas en posición vertical, con la parte superior de la unidad hacia arriba.

Compruebe que la placa del ventilador esté correctamente instalada en la unidad.

C4. MONTAJE DEL HORNO MICROONDAS



PARA UNA FÁCIL INSTALACIÓN Y SEGURIDAD PERSONAL, RECOMENDAMOS QUE DOS PERSONAS INSTALEN ESTE HORNO MICROONDAS.

IMPORTANTE: No sujete ni utilice el mango o el protector térmico durante la instalación. No retire los separadores de cartón entre el protector térmico y la puerta.

NOTA:

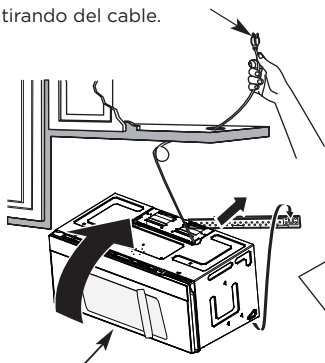
Si su armario es de metal, utilice la arandela de nailon alrededor del orificio del cable de alimentación para evitar que se corte el cable.

NOTA:

Se recomienda utilizar bloques de relleno si la parte delantera del armario cuelga por debajo del estante inferior del armario.

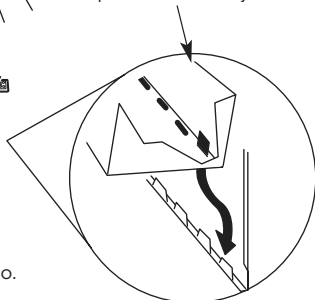
IMPORTANTE: Si no se utilizan los bloques de relleno, se pueden producir daños en la carcasa debido a un apriete excesivo de los tornillos.

NOTA: Al montar el horno microondas, pase el cable de alimentación a través del orificio en la parte inferior del armario superior. Manténgalo apretado durante los pasos 1-3. No aplaste el cable ni levante el horno tirando del cable.

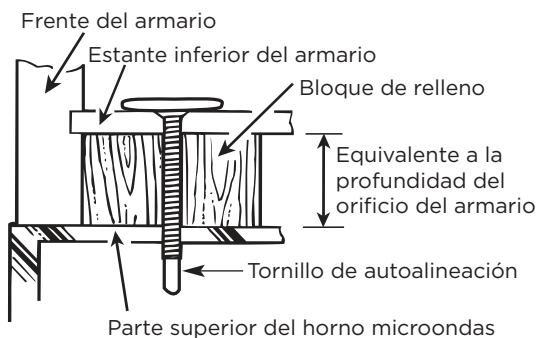


2. Gire el frente del horno contra el fondo del armario.

1. Levante el microondas, inclínelo hacia adelante y enganche las ranuras en el borde inferior posterior en las cuatro lengüetas inferiores de la placa de montaje.

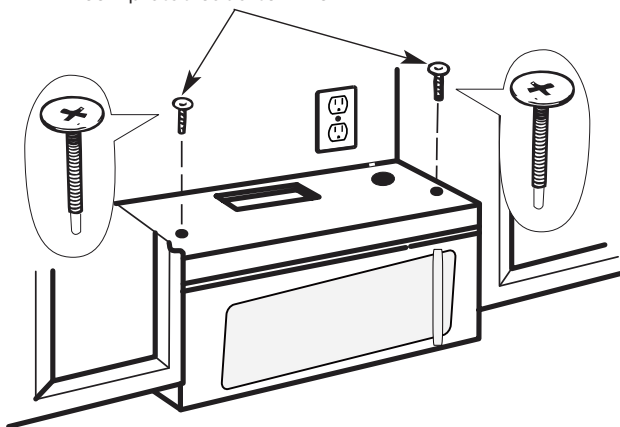


3. Inserte un tornillo de autoalineación a través del orificio central superior del armario. Asegure temporalmente el horno girando el tornillo al menos dos vueltas completas después de que las roscas hayan encajado (se apretará completamente más tarde). Asegúrese de mantener apretado el cable de alimentación. Tenga cuidado de no aplastar el cable, especialmente cuando lo monte al ras de la parte inferior del armario.

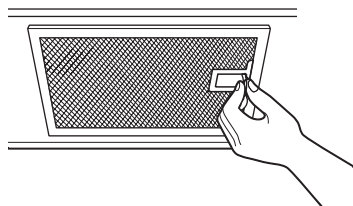


4. Fije el horno microondas al armario superior.

5. Inserte 2 tornillos de autoalineación a través de los orificios exteriores del armario superior. Gire dos vueltas completas cada tornillo.



6. Apriete los dos tornillos exteriores a la parte superior del horno microondas. (Mientras aprieta los tornillos, sujete el horno microondas contra la pared y el armario superior).



7. Instale los filtros de grasa. Consulte la Guía de uso y cuidado incluida con el microondas.

C5 INSTALACIÓN O CAMBIO DEL FILTRO DE CARBÓN (Algunos modelos)

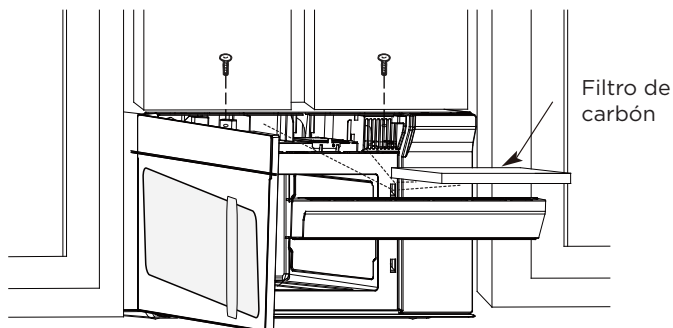
● NOTA:

El filtro de carbón viene instalado de fábrica en algunos modelos. Consulte la Guía de uso y cuidado para ver si el suyo está instalado de fábrica y para obtener información de reemplazo.

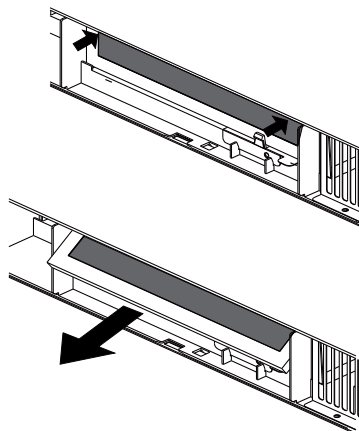
Para modelos sin puerta de acceso al filtro de recirculación, siga estos pasos para reemplazar o instalar un filtro de carbón:

1. Desenchufe el horno microondas o desconecte la corriente.

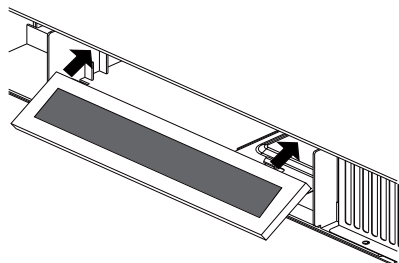
2. Abra la puerta del microondas y retire los dos tornillos de montaje de la rejilla de ventilación ubicados en la parte superior del microondas usando un destornillador Phillips #1.



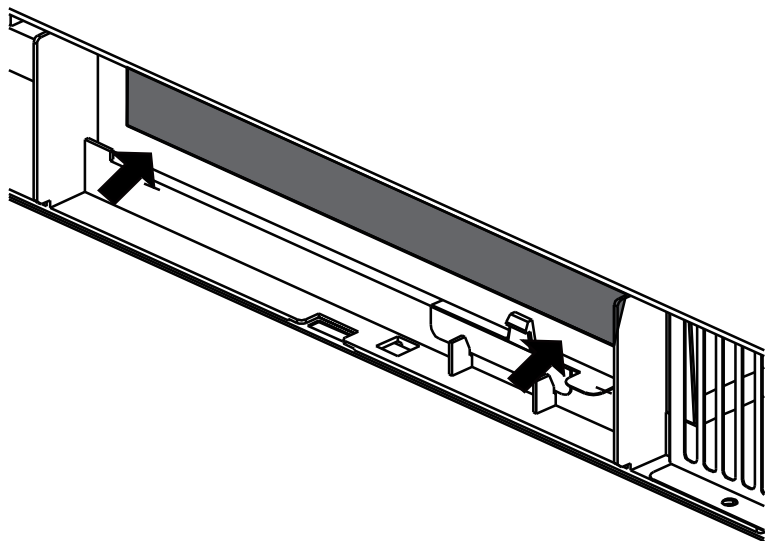
3. Retire el filtro de carbón empujando la parte superior del filtro hacia adentro, luego tire hacia adelante para sacarlo de la unidad.



4. Deslice la parte superior del nuevo filtro de carbón en la parte superior de la cavidad del filtro.



5. Presione la parte inferior del filtro de carbón para colocarlo en la posición correcta.



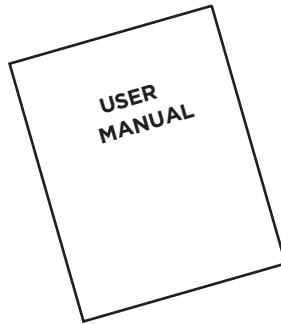
6. Vuelva a instalar la ventilación deslizando la parte inferior de la ventilación en su lugar. Empuje la parte superior de la ventilación hacia su posición y deslícela hasta que encaje en su sitio. Vuelva a colocar los dos tornillos de montaje de ventilación ubicados en la parte superior del microondas con un destornillador Phillips #1.



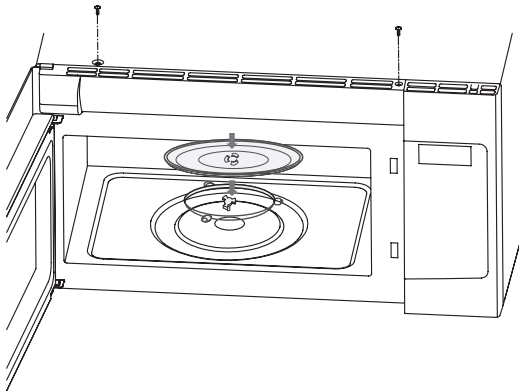
7. Cierra la puerta del microondas. Enchufe el horno microondas o vuelva a conectar la alimentación.

Antes de utilizar el microondas

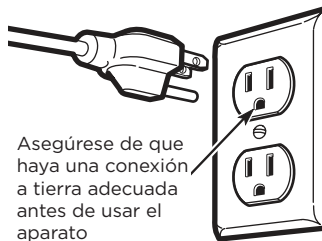
1. Asegúrese de que el horno microondas se haya instalado de acuerdo con las instrucciones.



2. Retire todo el material de embalaje del horno microondas.
3. Instale el anillo del plato giratorio y la bandeja de vidrio en la cavidad.



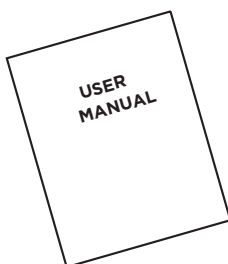
4. Enchufe el cable de alimentación en un tomacorriente separado y exclusivo de 15 a 20 amperios.



5. Reemplace el fusible de la casa o vuelva a encender el disyuntor.



6. Lea el manual del usuario.



7. GUARDE EL MANUAL DEL USUARIO PARA EL USO DEL INSPECTOR LOCAL.

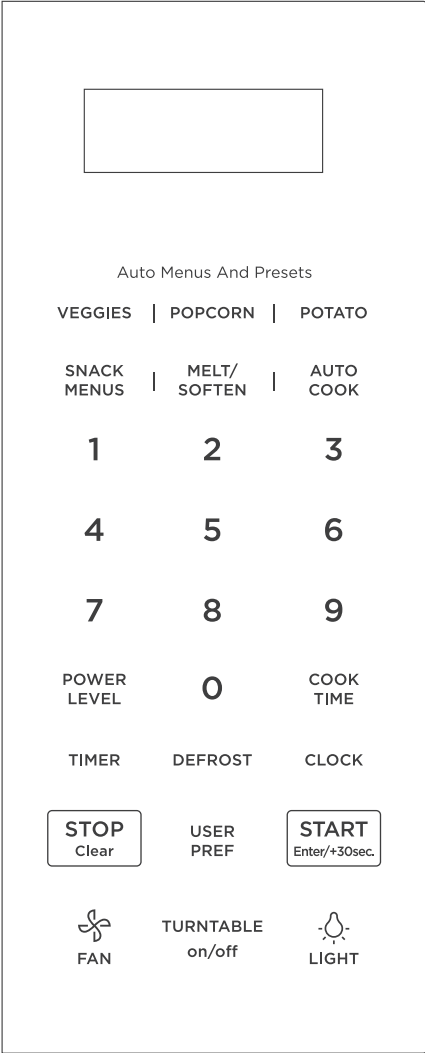


Comprobación de funcionamiento

1. Asegúrese de que la unidad se haya instalado de acuerdo con estas instrucciones.
2. Retire todo el material de embalaje del horno.
3. Reemplace el fusible de la casa o vuelva a encender el disyuntor.
4. Enchufe el cable de alimentación en el tomacorriente.
5. Lea las instrucciones de funcionamiento antes de probar el producto.
6. Encienda el extractor de aire a velocidad Turbo y verifique que esté funcionando utilizando un pañuelo de papel (se adherirá al filtro).
7. Confirme que la válvula de extracción exterior se haya abierto.
8. Programe el horno microondas durante 1 minuto y verifique que funciona con normalidad utilizando un vaso de agua.
9. Conserve estas instrucciones de instalación para uso del inspector eléctrico local.

INSTRUCCIONES DE FUNCIONAMIENTO

Panel de control



- Antes de poner en funcionamiento su nuevo horno microondas, asegúrese de que haya leído y entendido completamente esta Guía de uso y cuidado.
- El reloj se puede desactivar cuando el microondas se enchufa por primera vez y se selecciona el botón Stop/Clear. Para volver a activar el reloj siga las instrucciones del reloj.

Configurar el reloj

- Suponga que desea introducir la hora correcta del día 10:59.

	TÁCTIL	LA PANTALLA MUESTRA:
1.	CLOCK	12:00
2.	① ③ ⑤ ⑨	10:59 <small>PRESS START</small>
3.	CLOCK o START/Enter/+30sec.	10:59

Ajuste del temporizador

El horno microondas se puede utilizar como temporizador de cocina. Puede configurar hasta 99 minutos, 99 segundos. El temporizador de cocina se puede utilizar mientras el horno microondas esté funcionando.

- Suponga que desea programar 3 minutos.

	TÁCTIL	LA PANTALLA MUESTRA:
1.	TIMER	TIMER : 0
2.	③ ③ ③	TIMER 3:00
3.	TIMER	TIMER 3:00 Cuenta regresiva del tiempo

NOTA:

No hay otros programas durante el temporizador de cocina.

Microondas

El horno microondas sobre la cocina se puede programar durante 99 minutos y 99 segundos (99:99). Ingrese siempre los segundos después de los minutos, incluso si ambos son ceros.

- Suponga que desea cocinar durante 2 minutos al 90 % de potencia

	TÁCTIL	LA PANTALLA MUESTRA:
1.	COOK TIME	: 0
2.	② ③ ③	2:00 <small>PRESS START</small>
3.	POWER LEVEL X1	P-H1 <small>PRESS START</small>

4.	POWER LEVEL X1 o 9	<small>PRESS START</small> P-90
5.	START/Enter/+30sec.	Cuenta regresiva del tiempo

Tabla de potencia

PRESIONE	NIVEL DE ALIMENTACIÓN	PANTALLA
POWER LEVEL x 1	100%	P-HI
POWER LEVEL x 2 o 9	90%	P-90
POWER LEVEL x 3 o 8	80%	P-80
POWER LEVEL x 4 o 7	70%	P-70
POWER LEVEL x 5 o 6	60%	P-60
POWER LEVEL x 6 o 5	50%	P-50
POWER LEVEL x 7 o 4	40%	P-40
POWER LEVEL x 8 o 3	30%	P-30
POWER LEVEL x 9 o 2	20%	P-20
POWER LEVEL x 10 o 1	10%	P-10
POWER LEVEL x 11 o 0	0%	P-0

Descongelación por peso

	TÁCTIL	LA PANTALLA MUESTRA:
1.	DEFROST X1	0.0 lb
2.	① ②	<small>PRESS START</small> 1.2 lb
3.	START/Enter/+30sec.	Cuenta regresiva del tiempo

NOTA:

La cantidad de peso debe ser una entrada válida para que esta función se inicie. Una entrada de peso válida es de 0.1 a 6.0 libras.

Tiempo de descongelación

	TÁCTIL	LA PANTALLA MUESTRA:
1.	DEFROST X2	0:00
2.	① ① ① ①	10:58 <small>PRESS START</small>
3.	START/Enter/+30sec.	COOK DEFR. 10:58 Cuenta regresiva del tiempo

NOTA:

El zumbador sonará para recordarle que debe dar la vuelta a los alimentos cuando haya transcurrido la mitad del tiempo.

Velocidad de cocinado

1. Si utiliza agregar 30 segundos:

Esta es una función que permite ahorrar tiempo. Es una función simplificada que le permite ajustar e iniciar rápidamente la cocción en microondas al 100% de potencia.

	TÁCTIL	LA PANTALLA MUESTRA:
1.	START/Enter/+30sec.	COOK :30

2. Utilice los botones numéricos para "1-6":

Presione las teclas numéricas "1-6" para comenzar a cocinar con el tiempo correspondiente para un nivel de potencia del 100 % directamente. Por ejemplo, cocinar con 6 minutos para un nivel de potencia del 100%.

	TÁCTIL	LA PANTALLA MUESTRA:
1.	⑥	:6 <small>PRESS START</small>
2.	Después de 2 segundos	COOK 6:00

El horno debe abrirse y cerrarse en 5 minutos antes de la velocidad de cocinado. De lo contrario, se debe utilizar como se indica a continuación.

	TÁCTIL	LA PANTALLA MUESTRA:
1.	⑥	Food
2.	abrir la puerta	6:00 <small>PRESS START</small>
3.	START/Enter/+30sec.	Cuenta regresiva del tiempo (cerrar la puerta)

NOTA:

Si no se selecciona un ciclo de cocción rápida o el botón "START/Enter/+30sec." dentro de los 5 minutos de que se hayan colocado los alimentos en el microondas, se mostrará "Alimentos". Debe abrir y volver a cerrar la puerta para borrar "Alimentos" de la pantalla.

Vegetales

TÁCTIL		LA PANTALLA MUESTRA:
1.	VEGGIES X1	Fr-1
2.	VEGGIES X1	Fr-2
3.	①	1CUP <small>PRESS START</small>
4.	START/Enter/+30sec.	Cuenta regresiva del tiempo

PRESIONE EL BOTÓN VEGETALES	ALIMENTO	CANTIDAD
X1	Vegetales frescos	1 - 4 tazas
X2	Vegetales congelados	1 - 4 tazas

Palomitas

Presione el botón "POPCORN" y el LED mostrará 3.3 oz. Presione "POPCORN" repetidamente para elegir el peso deseado.

- Suponga que desea cocinar 3.0 oz de palomitas.

TÁCTIL		LA PANTALLA MUESTRA:
1.	POPCORN X1	3.3 <small>PRESS START</small> oz
2.	POPCORN X1	3.0 <small>PRESS START</small> oz
3.	START/Enter/+30sec.	Cuenta regresiva del tiempo

PRESIONE EL BOTÓN PALOMITAS	CANTIDAD
X1	3.3 oz
X2	3.0 oz
X3	1.75 oz

Patata

TÁCTIL		LA PANTALLA MUESTRA:
1.	POTATO X1	1 <small>PRESS START</small>
2.	POTATO X1 o ②	2 <small>PRESS START</small>
3.	START/Enter/+30sec.	Cuenta regresiva del tiempo

PRESIONE EL TECLADO DE PATATAS O LAS TECLAS NUMÉRICAS	CANTIDAD
X1	1
X2	2
X3	3
X4	4

Menús de aperitivos

Hay 4 opciones (Hot dogs, Comida congelada para niños, Comida en una taza, Sopa) en el menú de aperitivos.

1. Hot dogs o Sopa

	TÁCTIL	LA PANTALLA MUESTRA:
1.	SNACK MENUS X1	Sn-1
2.	①	<small>PRESS START</small> 1
3.	START/Enter/+30sec.	Cuenta regresiva del tiempo

2. Comida congelada para niños o comida en una taza

	TÁCTIL	LA PANTALLA MUESTRA:
1.	SNACK MENUS X2	<small>PRESS START</small> Sn-2
2.	START/Enter/+30sec.	Cuenta regresiva del tiempo

PRESIONE EL TECLADO DE MENÚS DE SNACK	ALIMENTO	CANTIDAD
X1	Hot Dogs	1 - 6 piezas
X2	Comida congelada para niños	8.8 oz
X3	Comida en una taza	2.39 oz
X4	Sopa	1 - 2 tazas

Cocción automática

Hay 5 opciones (tocino, plato de cena, arroz, desayuno congelado, pizza congelada) en la función de cocción automática.

	TÁCTIL	LA PANTALLA MUESTRA:
1.	AUTO COOK X1	Ac-1
2.	②	<small>PRESS START</small> 2
3.	START/Enter/+30sec.	Cuenta regresiva del tiempo

PRESIONE COCCIÓN AUTOMÁTICA	ALIMENTO	CANTIDAD
X1	Tocino	1-3 pedazos
X2	Plato de cena	1-2 platos
X3	Arroz	1-2 tazas
X4	Desayuno congelado	8/12 oz
X5	Pizza congelada	6/8/12 oz

Derretir/Ablandar

El horno utiliza baja potencia para derretir y ablandar alimentos. Vea la siguiente tabla.

- Suponga que desea derretir 2 barras de mantequilla.



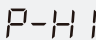

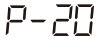
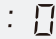

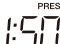
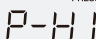

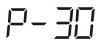
TÁCTIL		LA PANTALLA MUESTRA:
1.	MELT/SOFTEN X 1	50-1
2.	②	<small>PRESS START</small> 2
3.	START/Enter/+30sec.	Cuenta regresiva del tiempo

PRESIONE EL BOTÓN DERRETIR/ABLANDAR	ALIMENTO	CANTIDAD
X1	Derretir mantequilla	1/2 barras
X2	Derretir chocolate	2/4/8 oz
X3	Suavizar helado	Pinta/1.5 cuartos
X4	Suavizar queso crema	3/8 oz

Bloqueo infantil




TÁCTIL		LA PANTALLA MUESTRA:
1.	STOP/Clear (durante 3 segundos)	LOCK ○ 11:00 <small>LOCK</small> (si el reloj está configurado)
2.	STOP/Clear (durante 3 segundos)	11:00 (si el reloj está configurado)

Cocción por etapas

	TÁCTIL	LA PANTALLA MUESTRA:
1.		 <small>PRESS START</small>
2.	POWER LEVEL X1	 <small>PRESS START</small>
3.	POWER LEVEL X8 o 	 <small>PRESS START</small>
4.	COOK TIME	
5.		 <small>PRESS START</small>
6.	POWER LEVEL X1	 <small>PRESS START</small>
7.	POWER LEVEL X7 o 	 <small>PRESS START</small>
8.	START/Enter/+30sec.	Cuenta regresiva del tiempo



Ventilador

Este botón controla el ventilador de 2 velocidades. Si el ventilador está APAGADO, el primer toque del botón VENTILADOR encenderá el ventilador en ALTO, el segundo toque en BAJO y el tercer toque en APAGADO.

TÁCTIL	LA PANTALLA MUESTRA:
 X1 FAN	VENT HI
 X2 FAN	VENT LOW
 X3 FAN	oFF

Iluminación

Este botón controla la luz de 2 estados. Si la luz está APAGADA, el primer toque del botón encenderá la luz, el segundo toque la APAGARÁ.

TÁCTIL	LA PANTALLA MUESTRA:
 X1 LIGHT	oN
 X2 LIGHT	oFF

Pref de usuario

BOTÓN	CONFIGURACIÓN
USER PREF X1	Volumen Lo/Nor/Hi/Off
USER PREF X2	Peso lb/kg
USER PREF X3	Desactivar/activar visualización del reloj
USER PREF X4	Modo Demo

Volumen:

En modo de espera

TÁCTIL		LA PANTALLA MUESTRA:
1.	USER PREF X1	<small>PRESS START</small> 0P-1
2.	START/Enter/+30sec.	Lo (Lo, nor, HI, OFF se mostrarán en orden)
3.	START/Enter/+30sec.	




Peso (lb/kg)

En modo de espera

TÁCTIL		LA PANTALLA MUESTRA:
1.	USER PREF X2	<small>PRESS START</small> 0P-2
2.	START/Enter/+30sec.	<small>PRESS START</small> 0P-2 lb ○
3.	START/Enter/+30sec.	<small>PRESS START</small> 0P-2 kg




Desactivar/activar visualización del reloj

En modo de espera

TÁCTIL		LA PANTALLA MUESTRA:
1.	USER PREF X3	
2.	START/Enter/+30sec.	
3.	START/Enter/+30sec.	

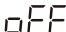

Modo Demo

En modo de espera

TÁCTIL		LA PANTALLA MUESTRA:
1.	USER PREF X4	
2.	START/Enter/+30sec.	
3.	START/Enter/+30sec.	

Activar/desactivar plato giratorio

El estado predeterminado del plato giratorio está activado.

TÁCTIL		LA PANTALLA MUESTRA:
1.	TURNTABLE on/off X1	
2.	TURNTABLE on/off X1	

NOTA:


El plato giratorio no puede controlarse en el menú automático ni en el modelo de cocción de descongelación.

PROBLEMAS Y SOLUCIONES

Verifique el problema utilizando la siguiente tabla y pruebe las soluciones para cada problema. Si el horno microondas aún no funciona correctamente, póngase en contacto con el centro de servicio autorizado más cercano.

PROBLEMA	POSIBLE CAUSA	POSIBLE SOLUCIÓN
El horno no enciende	<ul style="list-style-type: none"> • El cable eléctrico del horno no está enchufado. • La puerta está abierta. • Se estableció una operación incorrecta. 	<ul style="list-style-type: none"> • Conecte el horno al tomacorriente. • Cierre la puerta e inténtelo de nuevo. • Verifique las instrucciones.
Arcos eléctricos y chispas	<ul style="list-style-type: none"> • Se utilizaron materiales no aptos para horno microondas. • El horno funciona cuando está vacío. • Quedan restos de comida en el interior del horno. 	<ul style="list-style-type: none"> • Utilice únicamente utensilios de cocina aptos para microondas. • No utilice el horno microondas vacío. • Limpie el interior del horno con una toalla húmeda.
Alimentos cocidos de forma desigual	<ul style="list-style-type: none"> • Se utilizaron materiales no aptos para horno microondas. • La comida no se descongela completamente. • El tiempo de cocción y el nivel de potencia no son adecuados. • La comida no se da vuelta ni se revuelve. 	<ul style="list-style-type: none"> • Utilice únicamente utensilios de cocina aptos para microondas. • Descongele completamente los alimentos. • Utilice el tiempo de cocción y el nivel de potencia adecuados. • Voltee o revuelva los alimentos.
Alimentos sobrecocidos	<ul style="list-style-type: none"> • El tiempo de cocción y el nivel de potencia no son adecuados. 	<ul style="list-style-type: none"> • Utilice el tiempo de cocción y el nivel de potencia adecuados.
Alimentos mal cocidos	<ul style="list-style-type: none"> • Se utilizaron materiales no aptos para horno microondas. • La comida no se descongela completamente. • Los puertos de ventilación del horno están obstruidos. • El tiempo de cocción y el nivel de potencia no son adecuados. 	<ul style="list-style-type: none"> • Utilice únicamente utensilios de cocina aptos para microondas. • Descongele completamente los alimentos. • Verifique que los puertos de ventilación del horno no estén obstruidos. • Utilice el tiempo de cocción y el nivel de potencia adecuados.
Descongelación incorrecta	<ul style="list-style-type: none"> • Se utilizaron materiales no aptos para horno microondas. • El tiempo de cocción y el nivel de potencia no son adecuados. • La comida no se da vuelta ni se revuelve. 	<ul style="list-style-type: none"> • Utilice únicamente utensilios de cocina aptos para microondas. • Utilice el tiempo de cocción y el nivel de potencia adecuados. • Voltee o revuelva los alimentos.

MARCAS REGISTRADAS, DERECHOS DE AUTOR Y DECLARACIÓN LEGAL

El logotipo , las marcas denominativas, el nombre comercial, la imagen comercial y todas las versiones de los mismos son activos valiosos de Midea Group y/o sus empresas afiliadas ("Midea"), de las que Midea posee marcas registradas, derechos de autor y otros derechos de propiedad intelectual, así como toda la buena voluntad derivada del uso de cualquier parte de una marca comercial de Midea. El uso de la marca registrada de Midea para fines comerciales, sin el consentimiento previo por escrito de Midea puede constituir una violación de la marca registrada o una competencia desleal violando la legislación relevante.

Midea ha creado este manual y se reserva todos los derechos sobre el mismo. Ninguna entidad o individuo puede usar, duplicar, modificar, distribuir en todo o en parte este manual, o unirlo o venderlo con otros productos sin el consentimiento previos por escrito de Midea.

Todas las funciones e instrucciones descritas se actualizan en el momento de la impresión de este manual. Sin embargo, el producto real puede variar debido a funciones y diseños mejorados.

AVISO DE PROTECCIÓN DE DATOS

Para la prestación de los servicios acordados con el cliente, nos comprometemos a cumplir sin restricciones todas las estipulaciones de la ley de protección de datos aplicable, de conformidad con los países acordados en los que se prestarán los servicios al cliente.

En general, nuestro procesamiento de datos es para cumplir con nuestras obligaciones contractuales con usted y por motivos de seguridad de los productos, para salvaguardar sus derechos en relación con la garantía y preguntas del registro del producto. En algunos casos, pero solo si se garantiza la protección de datos apropiada, se podrían transferir los datos personales a receptores ubicados fuera del Área Económica Europea.

Se proporciona más información bajo solicitud. Puede ponerse en contacto con nuestro Oficial de Protección de Datos usando **MideaDPO@midea.com**. Para ejercitar sus derechos como el derecho a rechazar que se procesen sus datos personales para una finalidad directa de marketing, póngase en contacto con nosotros en el correo **MideaDPO@midea.com**. Para obtener más información, siga el código QR.



make yourself at home



www.midea.com

© Midea 2022 all rights reserved

PN:16170000A97434