



CHiQ

HYBRID CHEST FREEZER

▶ **USER MANUAL**

MODEL

CCF199DW

CCF198DB

CCF142DW

CCF141DB

CCF099DW

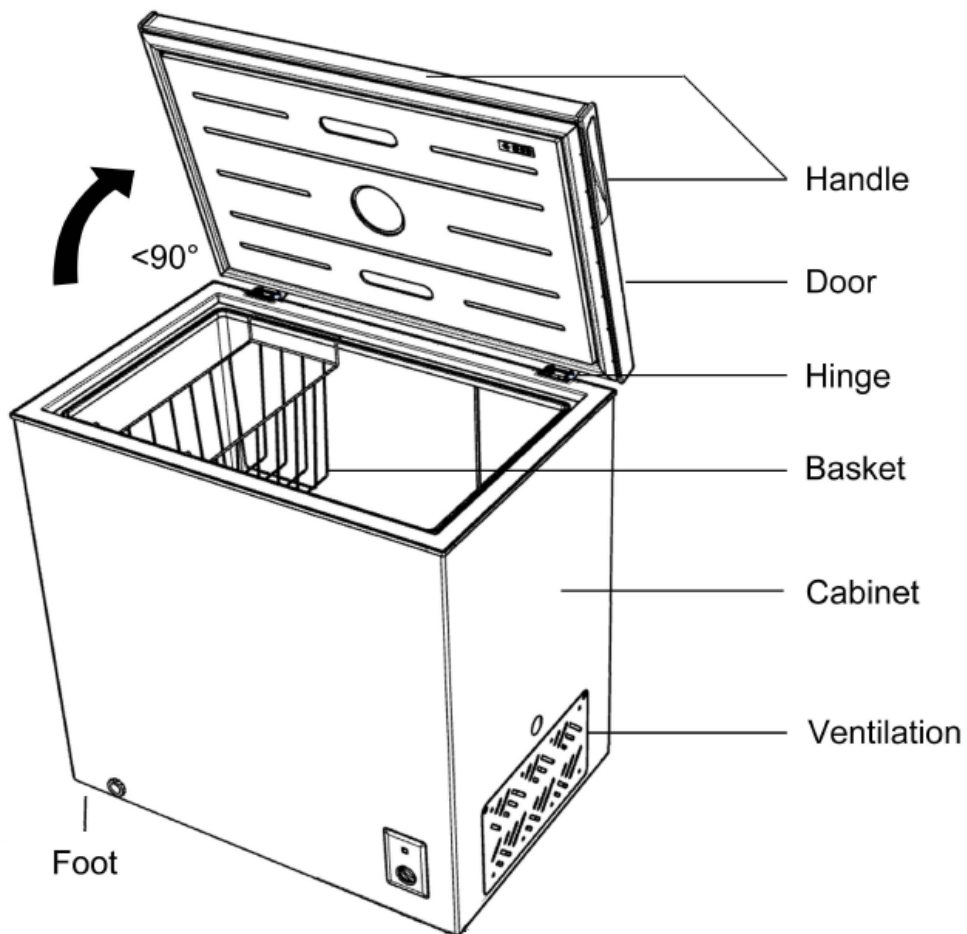
CCF098DB



Customer Service 1300 796 688

www.chiq.com.au

PART NAMES AND LOCATIONS



IN ACCESSORY BAG: USER MANUAL, WARRANTY CARD

As the manufacturer holds the authority to redesign or modify its products without notice: Any modifications or upgrades of our products will result in this Freezer varying slightly from this manual but the functionality will remain the same to that as set out within this manual.

IMPORTANT SAFETY INSTRUCTIONS

⚡ WARNING ⚡

Follow these basic precautions to reduce the risk of fire, electrical shock hazards or injury when operating the Freezer:

- **This product has been designed for using in a normal domestic environment. It is not intended for commercial use which will avoid warranty, such as supermarket, food shop, pharmacy, commercial kitchen & etc.**
- Persons with lack of experience and knowledge, reduced physical or mental capabilities, need to be given supervision or instruction concerning use of the appliance by a person responsible for their safety.
- Children should be supervised to ensure that they do not play with the appliance. Cleaning and user maintenance shall not be made by children without supervision.
- It is critical use this appliance safely. Read all instructions before operating the Freezer and do not attempt to repair or modify this unit in any way as it can cause harm or void the warranty.
- Please ensure all persons using this appliance are also informed and comply with the details set out within this manual and the product Terms and Conditions.
- When unpacking the appliance for the first time, keep all cardboard and plastic packaging out of reach from children.
- Report any notable defects with the appliance to Chiq or retailer as soon as it is noted. Failure to do so can result in a non-warranty claim. Keep all packaging materials in a safe location until the unit has been installed properly.
- If the supplied power cord of this unit is damaged, it must be replaced by qualify service agent or similarly qualified persons in order to avoid any risk of injury. It is recommended the power cord is situated in a safe location when operating or transporting the appliance to prevent any damage that may cause electrical shock or fire hazards.
- **DANGER or WARNING:**

Service of this unit

The installation or any service of the appliance is recommended by a qualified technician or service company.

Ventilation Hazards

Never clean the Freezer or Freezer parts with flammable fluids, or store gasoline or any other flammable vapors and liquids in the vicinity of this or any other Freezer as the gas and/or vapour can cause a fire hazard, explosion or inhalation.

Electrical Connection

Make certain, when installing or moving the unit that the power outlet has been connected to, has been fitted by a qualified electrician and the ground wire has been connected properly to meet the Australian Electrical Standards.

R600a WARNINGS

NOTE: This model uses R600a flammable refrigerant in its sealed system. The following must be observed for your safety:

R600a Refrigerant Warning

- This appliance contains R600a refrigerant which is environmentally friendly, but flammable. It does not damage the ozone layer, nor does it increase the greenhouse effect.
 - During transportation and installation, ensure that the tubing of the refrigerant circuit is not damaged.
 - Leaking refrigerant can ignite and may damage the eyes.
 - In the event any damage does occur, avoid exposure to open fires and any device which creates a spark. Disconnect the appliance from the mains power.
 - Thoroughly ventilate the room in which the appliance is located for several minutes.
 - Notify Customer Service for necessary action and advice.
 - The room for installing the appliance must be at least 1 cubic metre per 8 grams of refrigerant. The refrigerant quantity contained in this appliance is listed above in grams; it is also noted on the Rating Plate of the appliance.
- * Do not store explosive substances such as aerosol cans with a flammable propellant in this appliance.

It is hazardous for anyone other than an Authorised Service Person to carry out servicing or repairs to this appliance. In Queensland the authorized person must hold a Gas Work Authorisation for hydrocarbon refrigerants, before carrying out servicing or repairs which involve the removal of covers.

1. Keep ventilation openings, in the appliance enclosure or in the built-in structure, clear of obstruction.
2. Do not use mechanical devices or other means to accelerate the defrosting process, other than those recommended by the manufacturer.
3. Do not damage the refrigerant circuit.
4. Do not use electrical appliances inside the food storage compartments of the appliance, unless they are of the type recommended by the manufacturer.
5. Do not store explosive substances such as aerosol cans with a flammable propellant in the appliance.

Disposal

The environment and personal safety must be considered when disposing of this appliance. Please ensure the appliance is taken to a recycle center for safe recycling. DO NOT dispose of the appliance in land fill as the insulation and refrigerant gas contained in these appliances are flammable.

INSTALLATION INSTRUCTIONS

Before Using the Freezer

- Remove the exterior and interior packing.
- Before connecting the Freezer to a power source, let the unit stand upright for approximately 4 hours to mitigate the possibility of a malfunction in the cooling system from improper handling during transportation.
- Clean the interior surface with warm water using a soft cloth.

Installing the Freezer

- This appliance is designed to be free standing only, and should not be recessed or built-in.
- There are no wheels on the bottom of the unit, please lift it up when move the appliance. **Don't push or pull it when it sits on the flooring which might be damaged or scratched.**
- **Allow at least 10cm of space between the back and sides of the Freezer to allow proper air ventilation.** Insufficient space will result in cooling and working life issue and voiding warranty.
- Place the Freezer on a **leveled/even** floor surface that is strong enough to support the weight of the Freezer when it is fully loaded to prevent vibrations.
- **Place the Freezer on a concrete, tile floor or waterproof floor is recommended. The fridge will produce defrost water or condensation moisture, it might cause water damage in some extreme circumstances.**
- **The bottom feet can be adjusted to level the appliance properly.** Adjust the two feet to keep the Freezer leveled or elevated.
- Situate the Freezer away from direct sunlight and sources of direct heat (stove, heater, radiator, etc.). Direct sunlight may also affect the acrylic coating and heat sources may cause an increase power consumption.
- This unit is not designed for outside installation.
- Avoid situating the Freezer in moist OR **pest infestation** areas.
- Plug the Freezer into dedicated, properly installed-grounded wall outlet. Do not under any circumstances cut or remove the third (ground) prong from the power cord. Any questions concerning power and/or grounding should be directed toward a certified electrician or an authorized service center.
- After plugging the appliance into a wall outlet, turn the unit on and allow the unit to cool down for 4-6 hours before placing food in the Freezer.
- Do not place heavy items on the top of this appliance.

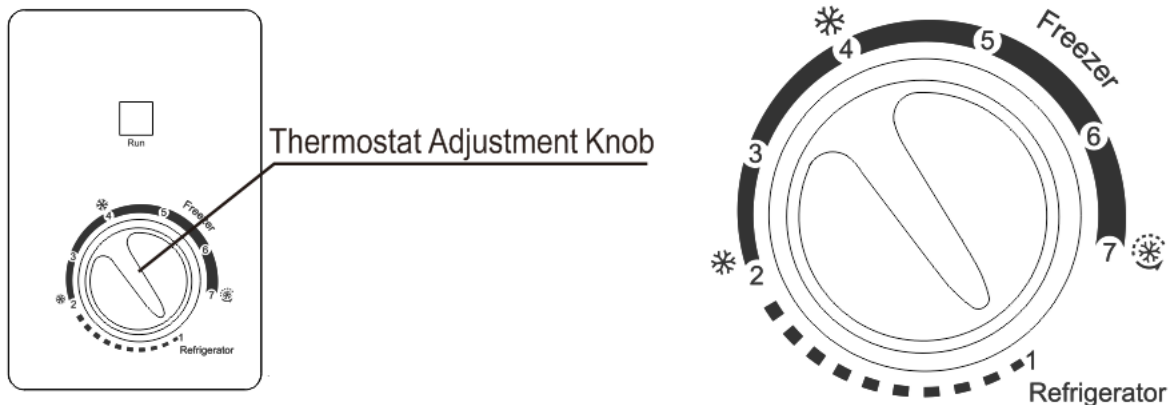
ENERGY SAVING TIPS

- Allow hot foods to cool to room temperature before placing in the Freezer. Overloading the Freezer forces the compressor to work harder. Foods that freeze too slowly may lose quality, or spoil.
- Be sure to wrap foods properly, and wipe containers dry before placing them in the Freezer. This cuts down on frost build-up inside the Freezer.
- Organize and label food to reduce door openings and extended searches. Remove as many items as needed at one time and close the door as soon as possible.

OPERATING INSTRUCTIONS

STARTING

- Plug the power cord into the power point, run light (Green light) will be on when the compressor starts running. When it reaches setting temperature, the compressor will stop running and green light will be off.
- Do not load the appliance immediately after it is switched on. Wait for about 2-4 hours until the freezer reaches correct temperature.



TEMPERATURE CONTROL KNOB

- The inside temperature of freezer is regulated by thermostat adjustment knob.
- "1,2,3,4,5,6,7" marks on the knob, the smaller number represents the higher temperature and the bigger number means lower temperature.

"1 (Refrigerator) " : Temperature range (5°C)

"2-4 (Freezer) " : Temperature range (-12~-18°C)

"4-7 (Freezer) " : Temperature range (-18~-24°C)

"7 (Fast freezer) " : Temperature range (below-24°C)

4 is recommended for normal use environment in freezer mode.

Fast freezer (below -24°C) : While turn the knob to 7, it will be set to Fast freezing mode which is recommended for the first time use or food need to be frozen quickly. After the freezer runs in fast freezing mode for 12 hours, change knob setting back to 4. **Don't leave it on fast freezer model for more than 24 hours a time.**

Please note the appliance is using sensitive thermostat, it will keep more stable temperature inside the unit. In order to do so, the compressor might cut in and out more often which is normal operation of the unit.

Close and open the freezer door(lid)

When lid is closed, it is very hard to be re-opened immediately.

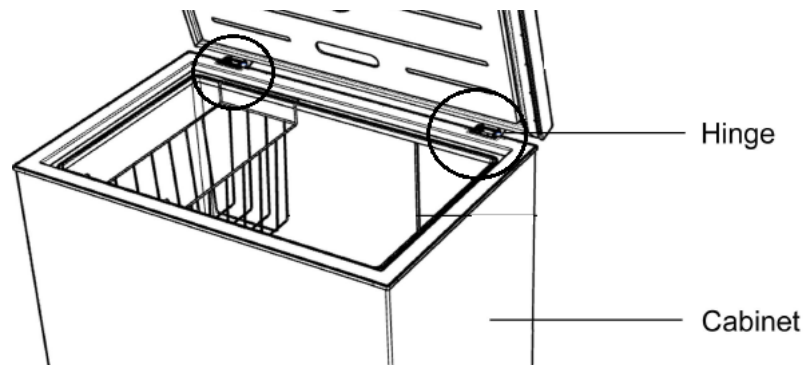
When lid is opened, the cold air that flows out and it is replaced by warm room air. When lid is closed, the warm air is sealed in the freezer, begins to cool down and puts the entire freezer under negative pressure.

Normally, the pressure will return to the normal pressure over time, as more air is drawn into the freezer through the gasket, drain tube, or other small openings, and the door will be easy to open after that process is complete.

Frost or ice on the top cabinet edge area or near the door hinge

The appliance has special design on the seal design. There are two small holes on the door seal near the hinge area. They will release the air pressure quickly and the door can be opened again quicker if need to.

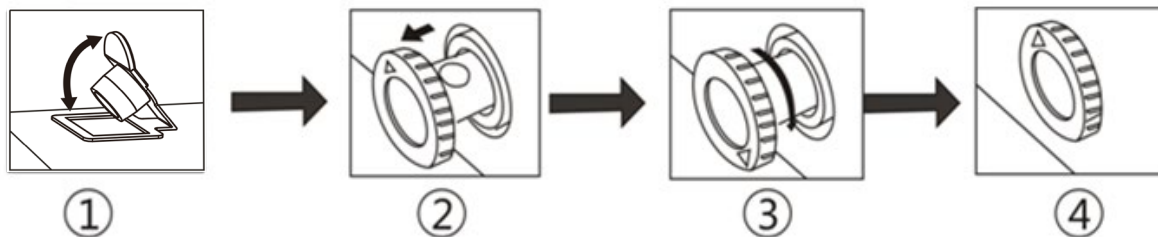
The design will bring little air exchange in and out and build up more frost or ice near the hinge area. The ice or frost won't affect any freezer performance , it can be wiped off easily.(The locations were circle marked as below)



DEFROSTING

- The freezer need manual defrost when an ice layer of around 7 mm (1/4") has formed.
- Before defrosting, please set the thermostat knob at "7" position for 6 hours at least to make sure the food is at the lowest temperature before taking it out. Food should be stored in a cool place.
- **Switch off the freezer and pull out the main plug.**
- Leave the lid open and remove the freezer basket. Warm water can be used to speed up the defrosting.

- **Notes: Never use sharp metal tools and it might damage the gas pipe or inner liner and it will void warranty.**
- There is a hole with plug on the bottom back of the freezer and rubber cap inside the freezer. When defrosting finishes, take out the plug and open the rubber cap. The water can be collected from the drain hole.
- After water come out completely, put plug and cap back to original position and dry the freezer interior thoroughly.
- Switch on the Freezer and leave it on for about three hours.



GENERAL CARE AND MAINTENANCE

Cleaning the Freezer

- Upon installation of your new appliance, it is recommended that it be cleaned thoroughly and properly maintained thereafter.
- Turn off the Freezer and then unplug the unit from the wall outlet.
- Remove all food content before washing the inside with a damp cloth soaked in lukewarm water and dishwasher liquid. **Don't use any chemical detergent which might damage coating or inner liner of the freezer.**
- Be sure to keep the door gasket (seal) clean to keep the unit running efficiently as improper cleaning can cause the seal to dislodge and tear.
- Dry the interior and exterior with a soft cloth.

Vacation Time

- Turn off the Freezer first and then unplug the unit from the power point.
- Remove all food.
- Clean the Freezer.
- Leave the lid open slightly to avoid possible formation of condensation, mold, or odors.
- Use extreme caution in the case of children. The unit should not be accessible to child's play.
- **Short vacations:** Leave the Freezer operating during vacations of less than three

weeks.

- **Long vacations:** If the appliance will not be used for several months, remove all food and unplug the power cord. Clean and dry the interior thoroughly. To prevent odour and mold growth, leave the door open slightly.

Repositioning and Relocating the Freezer

- Unplug the power cord from the wall outlet.
- Remove all the food and drinks.
- Securely tape down all loose items inside your Freezer.
- Tape the doors to be closed securely.
- It is recommended that the Freezer stays in the upright position during transportation. But if it is laid down for transport purpose, please lift it up immediately after the job is done. Please wait for at least 24 hours before putting the power.

TROUBLESHOOTING GUIDE

Problem	Solution
The freezer has no power	<ul style="list-style-type: none">➤ Power cord isn't plugged in properly.➤ The circuit breaker tripped or a blown fuse.➤ Try a different power point.
Compressor runs all the time	<ul style="list-style-type: none">➤ The room temperature is hotter than normal.➤ A large amount of food has been added to the Freezer.➤ The door is opened too often.➤ The door is not closed completely.➤ The temperature control is not set correctly.➤ The door gasket does not seal properly.➤ The Freezer does not have the correct clearances.➤ The Freezer has recently been disconnected for a period of time. 6+ hours are required for the Freezer to cool down completely pending on operating conditions.
Temperature inside the Freezer is too cold.	<ul style="list-style-type: none">➤ Temperature control is set too cold. Turn the control to a warmer setting and allow several hours for the temperature to stabilize.

<p>Temperature of external Freezer side walls are warm.</p>	<ul style="list-style-type: none"> ➤ The exterior Freezer walls can be as much as 15-20 degrees warmer than room temperature. This is normal while the compressor works to transfer heat from inside the Freezer cabinet to the condenser behind the Freezer side walls.
<p>Popping or cracking sound when compressor comes on.</p>	<ul style="list-style-type: none"> ➤ Metal parts undergo expansion and contraction, as in hot water pipes. This is normal. Sound will level off or disappear as Freezer continues to run.
<p>Bubbling or gurgling sound, like water boiling.</p>	<ul style="list-style-type: none"> ➤ Refrigerant (used to cool Freezer) is circulating throughout the system. This is normal operation.
<p>Vibrations.</p>	<ul style="list-style-type: none"> ➤ Check the Freezer is on a level/even surface. ➤ Freezer rocks on the floor when it is moved slightly. Be sure floor can adequately support Freezer. ➤ Level the Freezer by putting wood or metal shims under part of the Freezer. ➤ The Freezer is touching the wall. Re-level the Freezer and move it from the wall. See “Installation Instructions”.
<p>Moisture forms on outside of Freezer.</p>	<ul style="list-style-type: none"> ➤ Door is slightly open, causing cold air from inside the Freezer to meet warm moist air from the outside.
<p>The doors will not close properly.</p>	<ul style="list-style-type: none"> ➤ The Freezer is not on a level surface. ➤ The gasket/s may be dirty or not properly maintained. Clean the seals and make sure they are dry before closing the door/s. ➤ The storage basket and/or shelves are out of position.

For any enquiries, please call the CHiQ Customer care on: 1300 796 688



Customer Service

1300 796 688

www.chiq.com.au