



ENGLISH

# SMARTCODE 909

TOUCHPAD ELECTRONIC DEADBOLT

## Installation and User Guide

**Required tools**

4 AA Batteries   Ruler   Phillips head screwdriver

**Additional Tools (depending on application)**

Hammer   Wood block

**Kwikset**  
1-800-327-5625  
www.kwikset.com

**Parts in the box**

Latch 	Exterior Assembly 	Interior Assembly 
Strike 	Adapter ring 	Mounting Plate 
Keys 	SmartKey Tool 	Fasteners 03809  46780 
		48654  27526  64109 

"B" is not included. If needed, please contact Kwikset to order a drive-in latch for your lock.

### 1 Prepare the door and check dimensions

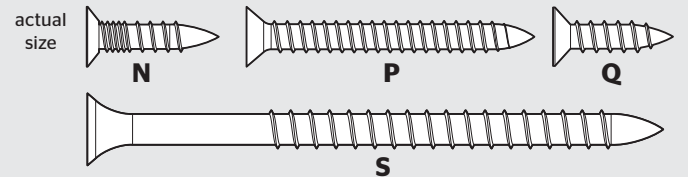
If drilling a new door, use the supplied template and the complete door drilling instructions available at [www.kwikset.com/doorprep](http://www.kwikset.com/doorprep).

<p><b>A</b> Measure to confirm that the hole in the door is either 2-1/8" (54 mm) or 1-1/2" (38 mm).</p>	<p><b>B</b> Measure to confirm that the backset is either 2-3/8" or 2-3/4" (60 or 70 mm).</p>	<p><b>C</b> Measure to confirm that the hole in the door edge is 1" (25 mm).</p>	<p><b>D</b> Measure to confirm that the door is between 1-3/8" and 1-3/4"* (35 mm and 44 mm*) thick.</p>
--	---	--	--

Note: Additional door preparation may be required for doors with 1-1/2" (38 mm) holes. Consult the deadbolt drilling instructions at [www.kwikset.com/doorprep](http://www.kwikset.com/doorprep).

\*Service kits for 2-1/4" (57 mm) thick doors are available through Kwikset.

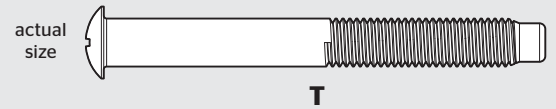
### 2 Install the latch and strike



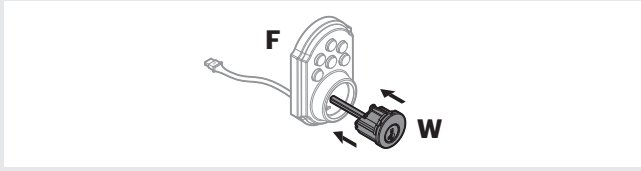
<p><b>A</b> Is the door edge chiseled?</p> <p><b>YES</b> Use latch "A". If the latch bolt is not already extended, extend the latch bolt as shown.</p> <p><b>NO</b> Use latch "B" (not included). If the latch bolt is not already extended, extend the latch bolt as shown.</p>	<p><b>B</b> Hold the latch in front of the door hole, with the latch face flush against the door edge.</p>	<p><b>D</b> Which latch are you installing?</p> <p><b>Latch "A"</b> or <b>Latch "B"</b></p>
<p><b>C</b> Are the latch holes centered in the door hole?</p> <p><b>YES</b> No adjustment is required. Proceed to next step.</p> <p><b>NO</b> Rotate latch face as shown to extend latch.</p>	<p><b>E</b> Install strike on the door frame.</p> <p>⚠ Make sure the hole in the door frame is drilled a minimum of 1" (25 mm) deep.</p>	



### 3 Install the exterior keypad

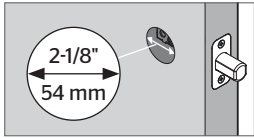


**A** Insert cylinder into keypad.

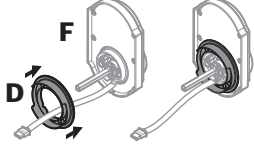


**B** What is the diameter of the hole in the door?

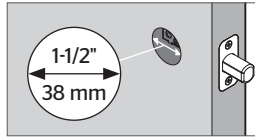
**Diameter is 2-1/8" (54 mm)**



"D" is required for installation. Install "D" on "F".



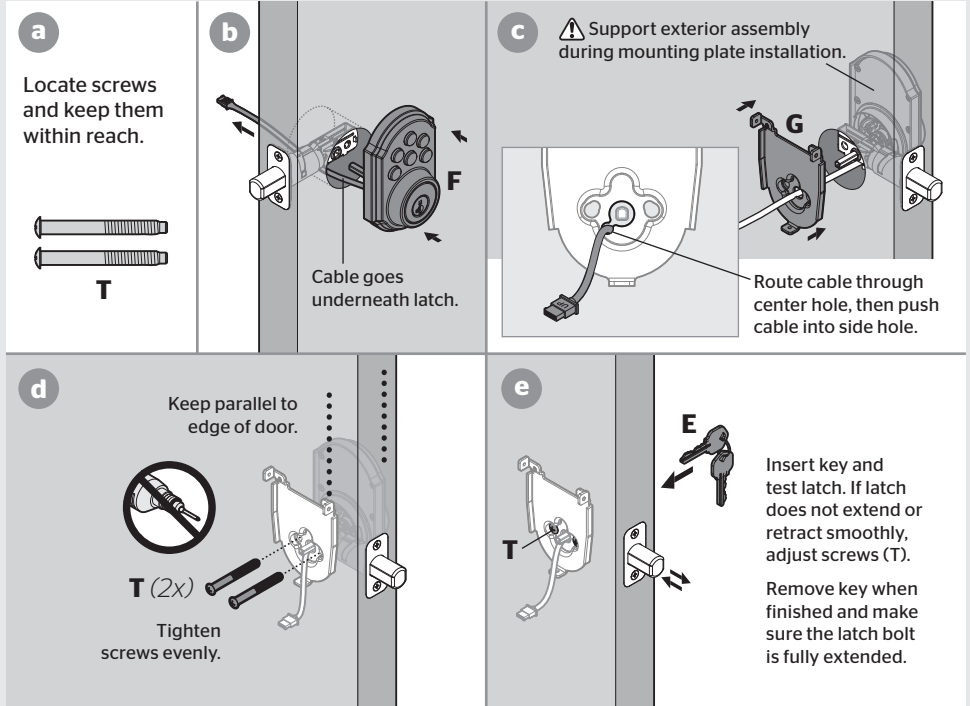
**Diameter is 1-1/2" (38 mm)**



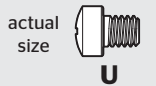
"D" is not needed for installation. Discard "D".



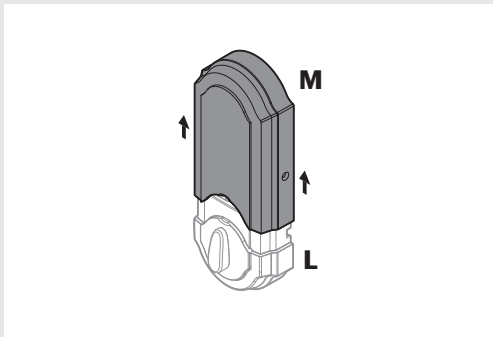
**C** Install exterior keypad and mounting plate.



### 4 Install the interior assembly



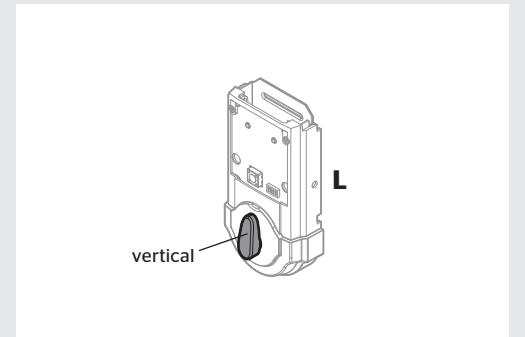
**A** Remove battery cover.



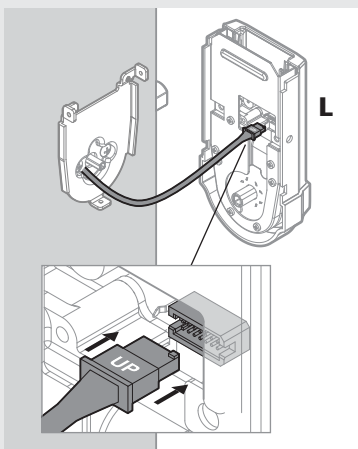
**B** Remove battery pack.



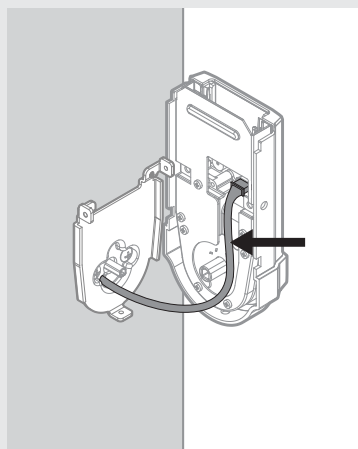
**C** Make sure the turnpiece is in the vertical position.



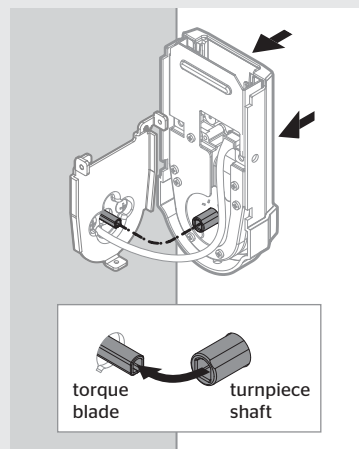
**D** Connect cable. Ensure tight cable connection.



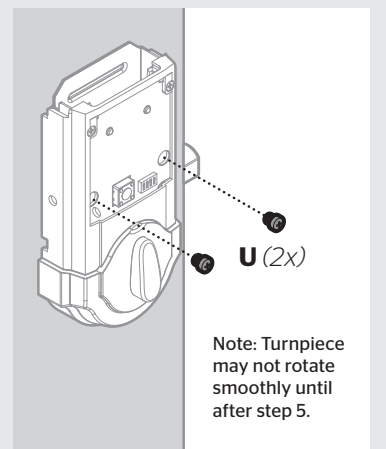
**E** Lay cable flat against the interior housing.



**F** Push turnpiece shaft onto torque blade.



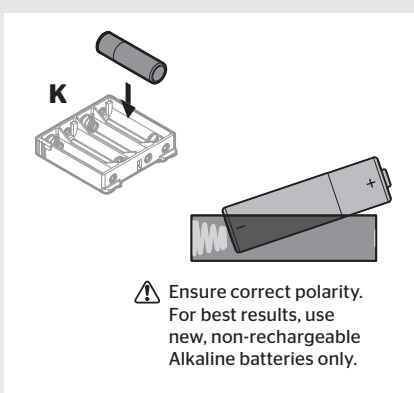
**G** Secure interior assembly with supplied screws.



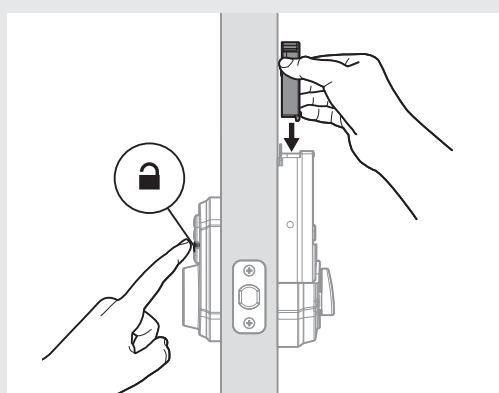
### 5 Install the batteries and perform the door handing process

This step will teach your lock the orientation of your door and is crucial to lock operation.

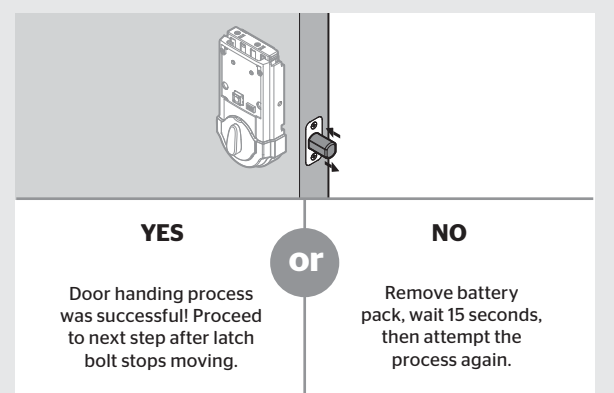
**A** Install 4 AA batteries in battery pack.



**B** Press and HOLD the Lock button while installing battery pack. Hold button until the latch bolt starts moving on its own.



**C** Did the latch bolt retract and extend on its own when the battery pack was installed?



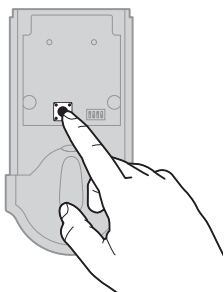
## 6 Add user codes (8 max)

### Programming Timeout

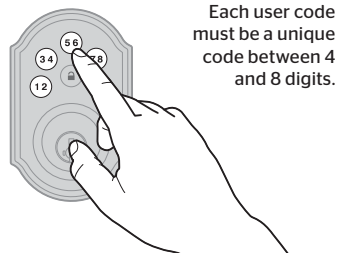
If no button is pressed for five seconds, the system will time out and you will need to restart the procedure.

**A** Make sure the door is open. Press the Program button the number of times that corresponds to the user code position being programmed.

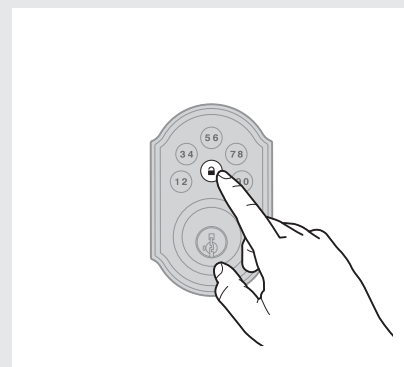
Example: If programming the third code, press the button three times.



**B** Enter user code. A total of 8 user codes may be programmed.

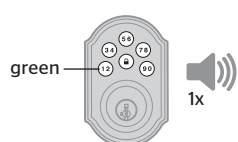


**C** Press Lock button once.



**D** What lights and sounds does the lock produce?

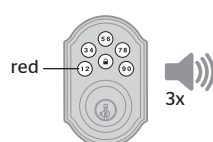
**One green flash with one beep\***



Programming was successful.

or

**Three red flashes with three beeps\***



Programming was unsuccessful.

Make sure the user code is not a duplicate and that it is between 4 and 8 digits during your next attempt.

or

**Two beeps\***



Programming time out.

Make sure not to pause for more than 5 seconds during programming.

\*Beeping sound will only be heard if switch #3 (on the lock interior) is in the on position. See "Switches and Status LED Colors" on page 4.

### Mastercode

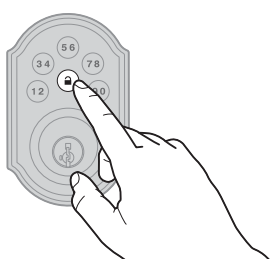
For enhanced security, a mastercode may be used when adding and deleting user codes. For more information about the mastercode, download the Programming and Troubleshooting Guide on the SmartCode 909 page at [www.kwikset.com](http://www.kwikset.com).

## 7 Test the lock (review normal operation)

Confirm that the code(s) added in previous step can unlock the door.

### Locking the Door

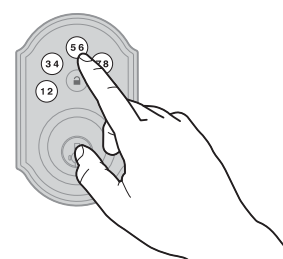
Press Lock button once.



### Unlocking the Door

Enter user code.

Tip: You can press the Lock button before entering your user code to light up the keypad at night.



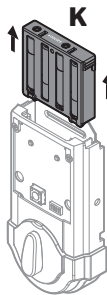
## 8 Re-key the lock (if needed) and install the battery cover

actual size  V

**A** Re-key the lock (if needed).

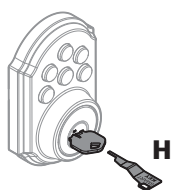
**a**

**IMPORTANT:** Remove battery pack before re-keying.



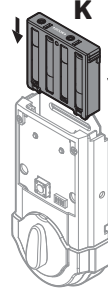
**b**

Re-key the lock to work with your existing key. See the supplied SmartKey Re-key instructions for more information.



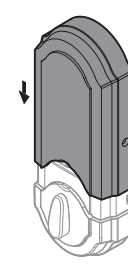
**c**

Reinstall battery pack.

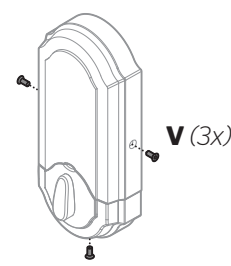


**B** Install the battery cover.

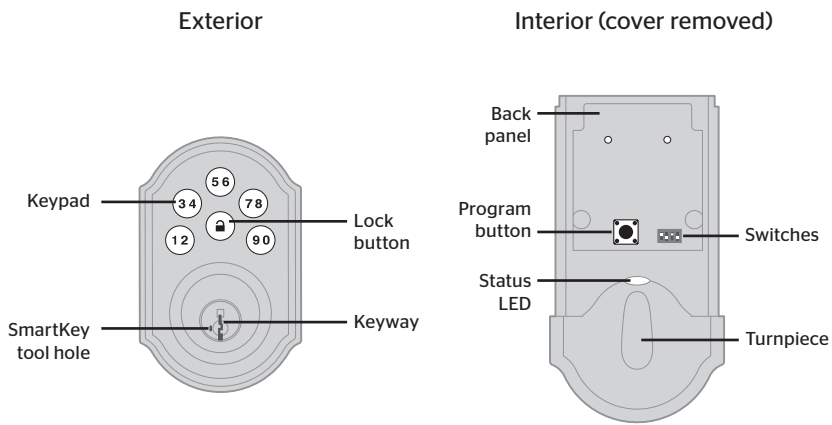
**a**



**b**



### SmartCode at a Glance

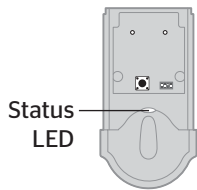
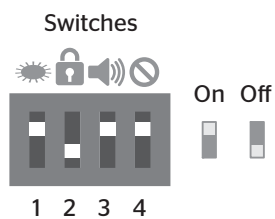


### System Alerts

Alert	Reason	Solution
Keypad flashes red 1 time with 1 beep*	Door jammed while attempting to lock.	Manually re-lock door. If needed, reposition strike.
Keypad flashes red 3 times with 3 beeps*	Unsuccessful programming.	Attempt programming procedure again.
	One incorrect code entered.	Re-enter code.
	No user code programmed.	Program at least one user code.
Keypad flashes red 10 times with 10 beeps*	Low battery.	Replace batteries.
Lock beeps 2 times.	Programming timeout.	Attempt programming procedure again, making sure not to pause for more than 5 seconds.
Keypad flashes red 3 times.		
Keypad flashes red 6 times with 6 beeps*.		
Keypad flashes red 15 times with 15 beeps*	Three incorrect codes entered within one minute.	Re-enter code after 60 second keypad lockout.

\*Beeping sound will only be heard if switch #3 is on.

### Switches and Status LED colors



Switch	Function
1	Door lock status LED blinks every 6 seconds
2	Lock automatically re-locks door 30 seconds after unlocking. Disabled if no codes are programmed.
3	Audio
4	Not used

Color	Lock Status
Blinking green	Unlocked
Blinking amber	Locked
Blinking red	Low battery
Solid red	Door handing process did not work properly. See the online Programming and Troubleshooting Guide.

### Troubleshooting

A complete SmartCode 909 Programming and Troubleshooting Guide is available at [www.kwikset.com](http://www.kwikset.com).

### Deleting a user code

In order to delete a user code, you must override the code by adding a different user code in the same position. For example, if you want to delete the third code, add a different user code in position three.

⚠ Test the old user code to make sure it can no longer unlock the door.

If you cannot remember the user code position, you may wish to perform a factory reset to delete all codes associated with the lock.

### Factory Reset

A factory reset will delete all codes associated with the lock.

1 Remove battery pack.

2 Press and HOLD the Program button while reinserting the battery pack. Keep holding the button for 30 seconds until the lock beeps and the status LED flashes red.

3 Press the Program button once more. When the LED flashes green and you hear one beep, the lock has been reset.

4 Perform the door handing process again to teach the lock the orientation of the door, and add user codes to your lock.

### Important Safeguards

1. Read all instructions in their entirety.
2. Familiarize yourself with all warning and caution statements.
3. Remind all family members of safety precautions.
4. Protect your user codes and mastercode.
5. Dispose of used batteries according to local laws and regulations.

⚠ **CAUTION:** Prevent unauthorized entry. Since anyone with access to the back panel can change the user codes, you must restrict access to the back panel and routinely check the user codes to ensure they have not been altered without your knowledge. The use of a mastercode can help protect your system's settings.

⚠ **WARNING:** This Manufacturer advises that no lock can provide complete security by itself. This lock may be defeated by forcible or technical means, or evaded by entry elsewhere on the property. No lock can substitute for caution, awareness of your environment, and common sense. Builder's hardware is available in multiple performance grades to suit the application. In order to enhance security and reduce risk, you should consult a qualified locksmith or other security professional.

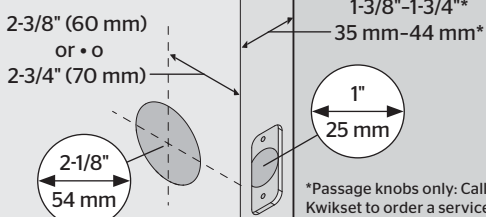


Required tools Herramientas necesarias	Parts in the box Piezas en la caja		
	<b>Latch</b> Pestillo <b>A</b>	<b>Screws</b> Tornillos <b>C</b> <b>D</b>	<b>Passage Knobs</b> Perillas de paso <b>E</b> <b>F</b> or • o
<b>Additional tools (if needed)</b> Herramientas adicionales (si es necesario) wood block bloque de madera	Not required for all applications No se requiere para todas las aplicaciones	<b>Emergency Unlock tool (privacy locks only)</b> Herramienta para el desbloqueo de emergencia (las cerraduras de privacidad solamente) <b>G</b>	<b>Strike</b> Placa <b>H</b>
			<b>Privacy Knobs</b> Perillas de privacidad <b>J</b> <b>K</b>

## 1 Prepare door and check dimensions Prepare la puerta y revise las dimensiones

If drilling a new door, use the supplied template and the complete door drilling instructions available at [kwikset.com/doorprep](http://kwikset.com/doorprep)

Si va a perforar una puerta nueva, utilice la plantilla suministrada y las instrucciones completas para la perforación de la puerta en [kwikset.com/doorprep](http://kwikset.com/doorprep)

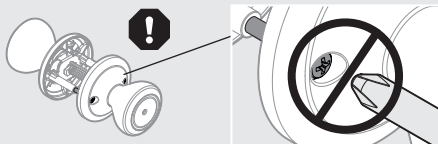


\*Passage knobs only: Call Kwikset to order a service kit for 2-1/4" (57 mm) thick doors.

\*Perillas de paso solamente: Llame a Kwikset para pedir un kit de servicio para puertas gruesas con un espesor de entre 57 mm (2-1/4").

## 2 Disconnect knobs (if pre-assembled) Desconecte las perillas (si previamente ensambladas)

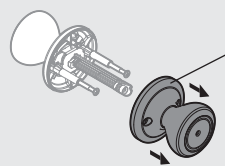
**A** Do not remove screws!  
¡No retire los tornillos!



**B** Twist the side with the holes.  
Gire el lado con los orificios.



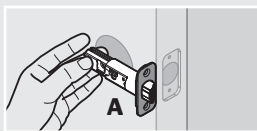
**Pull to separate knobs.**  
Tire para separar las perillas.



**C** Set knobs aside until step 5.  
Deje a un lado las perillas hasta el paso 5.

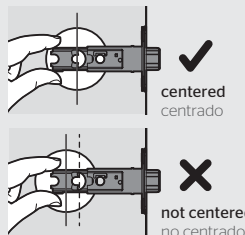
## 3 Adjust the backset of the latch (if needed) Ajuste la distancia al centro del pestillo (si es necesario)

**A** Hold the latch in front of the door hole, with the latch face flush against the door edge.  
Sostenga el pestillo en frente del orificio de la puerta, con la cara del pestillo al ras con el borde de la puerta.



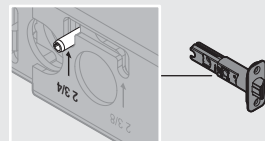
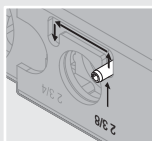
**B** If the latch holes are centered in the door hole, no adjustment is required. Proceed to step 4.  
If the latch holes are NOT centered, adjust latch. See "Latch Adjustment" (step 3C).

Si los orificios del pestillo están centrados con el orificio de la puerta, no se requiere ajustarlo. Vaya al paso 4.  
Si los orificios del pestillo NO están centrados, ajuste el pestillo. Consulte "Ajuste del pestillo" (el paso 3C).



**C** Latch Adjustment (only if needed)  
Ajuste del pestillo (si es necesario)

Move the pin to extend the latch.  
Mueva el pasador para extender el pestillo.



Instructions continue on reverse  
Las instrucciones continúan en el reverso de la hoja

**Drilling Template**  
Plantilla de perforación

Edge of the door  
Borde de la puerta

Face of the door  
Frente de la puerta

Fold  
Doble

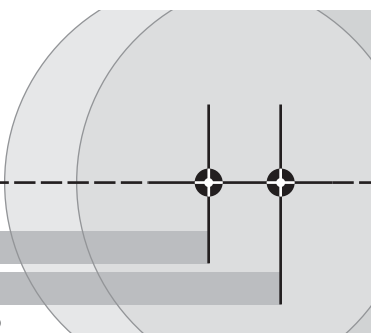
Centerline  
Línea central

2-3/8" (60 mm)

2-3/4" (70 mm)

Backset • Distancia al centro

2-1/4" (57 mm)  
1-3/4" (44 mm)  
1-3/8" (35 mm)



## 4 Install latch Instale el pestillo

**Door edge chiseled**  
La puerta con el borde cincelado

**OR**

**Door edge NOT chiseled**  
La puerta sin el borde cincelado

**slant of latch bolt faces door frame**  
la inclinación del perno queda enfrente al marco de la puerta

**A**

door frame  
marco

**Remove plates**  
Elimine las placas

**A**

**Install drive-in collar**  
Instale el aro de empuje

**B**

**slant of latch bolt faces door frame**  
la inclinación del perno queda enfrente al marco de la puerta

**wood block**  
bloque de madera

door frame  
marco

**C (2x)**

## 5 Install knobs Instale las perillas

**A** **IMPORTANT:** If installing a passage lock on an entry door, make sure the knob with the screw holes is on the interior side of the door.

IMPORTANTE: En caso de instalar una cerradura de paso en la entrada de una puerta, asegúrese de que la perilla con los orificios de los tornillos está en el lado interior de la puerta.

**F / K**

Press latch bolt to install knob.  
Presione el perno de retención para instalar la perilla exterior.

**B** Align round edges.  
Alinee los bordes redondos.

**E / J**

**C** To catch screws:  
Para atrapar tornillos:

1. Twist counter-clockwise  
Gire sentido antihorario
2. Push while twisting  
Empuje mientras gira
3. Twist clockwise  
Gire sentido horario

**D** Push up on knob while tightening screws to keep latch horizontal and centered.  
Empuje hacia arriba la perilla mientras ajusta los tornillos para mantener el pestillo en forma horizontal y centrada.

## 6 Install strike on door frame Instale la placa en el marco de la puerta

**A**

**D (2x)**  
**H**

**B** Close door and test latch operation. If latch is loose in the strike, adjust strike tab so it grips the latch bolt better when the door is closed.

Cierre la puerta y pruebe el funcionamiento del pestillo. Si el pestillo queda suelto en la cerradura tipo hembra, ajuste la lengüeta de la cerradura tipo hembra para que sujete mejor el perno de retención cuando la puerta se encuentre cerrada.

**tab**  
lengüeta

## ! Privacy locks only Cerraduras de privacidad solamente

**Save the bedroom/bathroom emergency unlock tool (G) for future use.**  
Guarde la herramienta (G) para abrir la recámara o el baño en casos de emergencia para utilizarla en el futuro.

**G**

align  
alinear

Register your product at [www.kwikset.com/productregistration](http://www.kwikset.com/productregistration)  
Rate your product at [www.kwikset.com/reviews](http://www.kwikset.com/reviews)

Registre su producto en [www.kwikset.com/productregistration](http://www.kwikset.com/productregistration)  
Clasifique su producto en [www.kwikset.com/reviews](http://www.kwikset.com/reviews)