

# **VEVOR<sup>®</sup>**

## **TOUGH TOOLS, HALF PRICE**

Technical Support and E-Warranty Certificate [www.vevor.com/support](http://www.vevor.com/support)

### **CONCRETE SCREED**

**MODEL:ZPJ-25A-6、ZPJ-25A-8、ZPJ-25A-11**

**ZPJ-25A-6/8/11**

We continue to be committed to provide you tools with competitive price.

"Save Half", "Half Price" or any other similar expressions used by us only represents an estimate of savings you might benefit from buying certain tools with us compared to the major top brands and does not necessarily mean to cover all categories of tools offered by us. You are kindly reminded to verify carefully when you are placing an order with us if you are actually saving half in comparison with the top major brands.



# VEVOR<sup>®</sup>

TOUGH TOOLS, HALF PRICE

## CONCRETE SCREED

MODEL:MODEL:ZPJ-25A-6、ZPJ-25A-8、ZPJ-25A-11  
ZPJ-25A-6/8/11



### NEED HELP? CONTACT US!

Have product questions? Need technical support? Please feel free to contact us:

**Technical Support and E-Warranty Certificate**  
**[www.vevor.com/support](http://www.vevor.com/support)**

This is the original instruction, please read all manual instructions carefully before operating. VEVOR reserves a clear interpretation of our user manual. The appearance of the product shall be subject to the product you received. Please forgive us that we won't inform you again if there are any technology or software updates on our product.

# IMPORTANT SAFEGUARDS



**WARNING:** Read and understand this entire manual before operating or servicing this product. Failure to follow these warnings and instructions can cause personal injury or damage to valuable property.

## Intended Use

This screed uses vibration through a screed board to embed aggregate and reduce air voids in concrete, making the slabs stronger. It can be used with a variety of board lengths, including 6ft, 8ft, 10ft, 12ft, and 14ft, on slab floors, roads, pavement, or parking lots. Replacement boards and boards in other lengths are sold separately — see the technical specifications page for part numbers.

**Power Source.** The screed is powered by a gasoline engine.

**Supplies Required.** Normal operation will require you to supply:

- Gasoline
- Engine oil
- Personal Protection Equipment

See “Specifications” section of this manual or the Engine Manual for more details.

## Technical Specifications

### Screed Head

<b>Model</b>	ZPJ-25A
<b>Engine</b>	140FA
<b>Drive system</b>	Flexible Shaft
<b>Weight</b>	18kg
<b>Type</b>	4-stroke,overhead camshaft,1 cylinder
<b>Displacement</b>	37.7cc

• The warnings, cautions, and instructions in this manual cannot cover all possible conditions or situations that could occur. Exercise common sense

and caution when using this tool. Always be aware of the environment and ensure that the tool is used in a safe and responsible manner.

- DO NOT allow persons to assemble or operate this product until they have read this manual and have developed a thorough understanding of how the product works.
- Use the right tool for the job. DO NOT attempt to force small equipment to do the work of larger industrial equipment. There are certain applications for which this equipment was designed. It will do the job better and more safely at the capacity for which it was intended. DO NOT use this equipment for a purpose for which it was not intended.
- Industrial or commercial applications must follow OSHA requirements.

### **⚠ WARNING**

• Some dust created by power sanding, sawing, grinding, drilling, and other construction activities contains chemicals known to the State of California to cause cancer, birth defects, or other reproductive harm. Some examples of these chemicals are:

-lead from lead-based paints,

-crystalline silica from bricks and cement and other masonry products, and

-arsenic and chromium from chemically treated lumber.

Your risk from these exposures varies, depending on how often you do this type of work. To reduce your exposure to these chemicals, work in a well-ventilated area, and work with approved safety equipment, such as dust masks that are specially designed to filter out microscopic particles.

• Handling the power cord on corded products may expose you to lead, a chemical known to the State of California to cause cancer and birth defects or other reproductive harm. Wash hands after handling.

### **⚠ WARNING**

#### **WORK AREA SAFETY**

• Inspect the work area before each use. Keep the work area clean, dry, free of clutter, and well-lit. Cluttered, wet, or dark work areas can result in injury.

- Do not use the Screed where there is a risk of causing a fire or an explosion; e.g., in the presence of flammable liquids, gases, or dust.
- Do not allow the tool to come into contact with an electrical source. The tool is not insulated, and contact will cause electrical shock.
- Keep children and bystanders away from the work area while operating the Screed. Do not allow children to handle the Screed.

• Be aware of all power lines, electrical circuits, water pipes, and other mechanical hazards in your work area. Some of these hazards may be hidden from your view and may cause personal injury and/or property damage if contacted.

## **⚠ WARNING**

### **PERSONAL SAFETY**

- Stay alert, watch what you are doing, and use common sense when operating the Screed. Do not use the Screed while you are tired or under the influence of drugs, alcohol, or medication.
- Dress properly. Do not wear loose clothing, dangling objects, or jewelry. Keep your hair, clothing and gloves away from moving parts. Loose clothes, jewelry, or long hair can be caught in moving parts.
- Use ANSI Z87.1-approved safety goggles or safety glasses with side shields, or when needed, a face shield. Use a dust mask in dusty work conditions. Also use non-skid safety shoes, hard hats, gloves, dust collection systems, and hearing protection when appropriate. This applies to all persons in the work area.
- Do not overreach. Keep proper footing and balance at all times.
- Remove adjusting keys or wrenches before starting the Screed. A wrench or key that is left attached to a rotating part of the Screed may cause personal injury.
- No smoking, matches, or open flames around machine. Fuel is flammable.
- Do not touch hot surfaces.

- Engine exhaust contains carbon monoxide. This is a poison you can not see or smell. NEVER use.

## **SCREED USE AND CARE**

- Do not force the Screed to perform an operation other than its intended use. Screeds do a better and safer job when used in the manner for which they are designed. Plan your work, and use the correct Screed for the job.
- Check for damaged parts before each use. Carefully check that the Screed will operate properly and perform its intended function. Replace damaged or worn parts immediately. Never operate the Screed with a damaged part.
- Store the Screed when it is not in use. Store it in a dry, secure place out of the reach of children. Inspect the Screed for good working condition prior to storage and before re-use.
- Use only accessories that are recommended by the manufacturer for use with the Screed. Accessories that may be suitable for one Screed may create a risk of injury when used with another Screed.
- Keep guards in place and in working order.
- Keep the Screed board clean.
- Do not leave the Screed running unattended.
- Shut off the fuel valve when the engine is not in use.
- Only use the recommended fuel to avoid damaging the equipment.
- Oil does not come with the machine. Add oil to the engine before the first use.
- Check oil levels before operating the machine.
- DO NOT refuel the engine while it is still hot. Fuel is flammable.
- DO NOT service the engine while it is still hot.

## **Specific Operation Warnings**

### **To avoid fatal accident**

- Stop the engine before refueling and be careful not to spill fuel during the refueling. Spilled fuel may ignite causing a fire.
- Do not refuel the engine near flammable objects to avoid fire.

- Do not run the engine in enclosed areas to prevent carbon monoxide poisoning.

### **To protect the operator**

- When fatigue from operation, the operator must stop the machine and take break.
- Hearing protection is required as this machine creates a noise emission while 1 m (3 feet) away from the equipment.

### **To avoid injury or damage**

- The plate compactors are only operated by authorized persons who:
  - are at least 18 years of age.
  - are physically and mentally able to operate the screed.
  - are properly trained in the operation and the maintenance of the screed by the owner or its authorized representative.
  - are assessed to be able to carry out their duties reliably.
- People who are drinking alcoholic beverages and/or taking drugs are not allowed to operate the plate compactor.
- People are not allowed to enter into the danger zone of the screed.
- The operator has to monitor the danger zone all the time. It is not allowed to operate if there is a person in the danger zone.
- The operator has to give warning signs in case of an emergency situation.
- The screed can only be operated when adequate stability is granted.
- The operator has to control the running speed of the screed all the time during its operation so that the screed can be stopped at any time.
- The operator must turn off the screed completely as described in this manual before leaving the operating position. Also, the screed must be secured against unauthorized use.
- The engine has to be turned off and secured against re-starting by pulling out the sparking plug socket during the maintenance and servicing.
- The operator has to control the screed as regards functions and obvious defects before use.
- Discovered defects must be reported to supervising personnel and to the

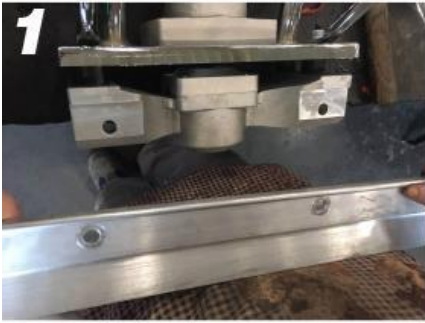
operator. Do not leave the defects which may cause serious injury of the operator.

- Do not operate the screed when a defect endangers the safety of the operator until the defect is rectified.
- The screed has to be checked by an expert on a regular basis (at least once a year). And it must be checked by an expert before the initial use and after the essential modification.
- During the operation, the operator has to monitor other objects within a radius of 20m in case of lighting.
- The screed generates mechanical heat so do not touch the body of engine, muffler or other parts during the operation, which may cause heat burn. Please wait until it cools down to touch.

- The operator must be fully equipped with safety equipment including a crash helmet, safety gloves, safety shoes, safety glasses and mask before operating the screed.
- Do not transport the screed with fuel in its fuel tank by the motor vehicle.
- Do not lift the screed by a person when putting on and off from vehicle. Always use a proper lifting crane to move. Lifting by person may cause personal injury due to its heavy weight.
- Make sure to securely fasten the screed for transportation. Improper fastening as holding the handle of the screed during the transportation may cause an injury.
- Note: Refer to the engine's instruction manual if there is a problem or a question about it before or during its operation.

## **Assembly Instructions**

### **Screed Assembly**



Line up blade with assembly.



Attach washers, locking screws, and bolts.



Repeat Step 2 for the second hole.



Connect accelerator cable to engine.

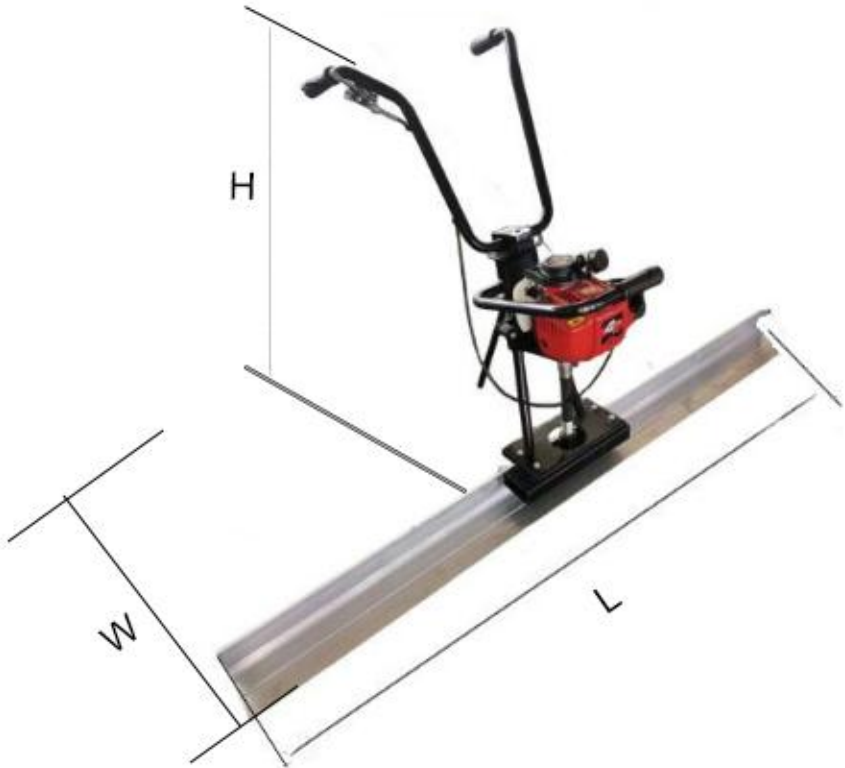


Locate accelerator screw found on engine and place cable through the gap.



Tighten and make sure that when you pull accelerator handle, the cable engages engine.

## Dimension



Model	L(mm)	W(mm)	H(mm)
ZPJ-25A-6	1830	670	730-1060
ZPJ-25A-8	2445	670	730-1060
ZPJ-25A-11	3370	670	730-1060
ZPJ-25A-6/8/11	3370	670	730-1060

## Before Each Use

### Preparation for operation

1) Check all bolts, nuts, and bolts and tighten any that are loose.

2)Get the desired length of screed board.

### **Recommended Fuel**

1)The screed engine requires regular unleaded gasoline. Use only fresh, clean fuel. Fuel containing water or dirt will damage the fuel system. Consult engine owner's manual for complete fuel specifications.

### **Before starting Engine**

1)Read and understand the safety and operating instructions manual for the engine.

2)Check:

- Oil level in engine.
- Fuel level.
- Condition of air cleaner.
- Tightness of external fasteners.
- Condition of fuel lines.
- Wear of spark plug.

## **Operating Instructions**

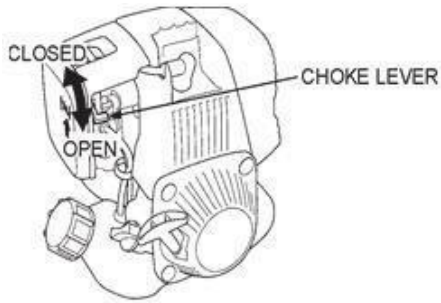
### **⚠ WARNING**

Read and understand both the screed user's manual (this manuals) and the engine manual before starting or operating the screed to avoid incorrect operation that may result in damage or injury.

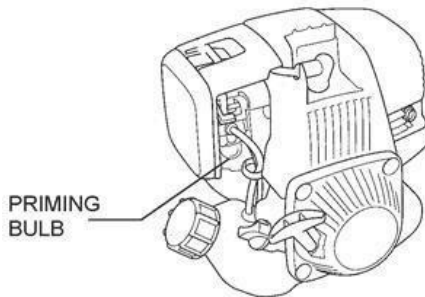
### **Starting the Engine**

1.Perform all the Before Each Use steps.

2.To start a cold engine, move the choke lever to the CLOSED position. If restarting a warm engine leave the choke lever in the OPEN position.

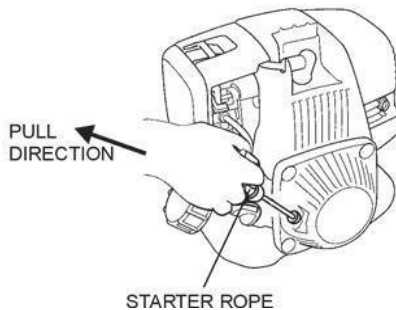


3. Press the priming bulb repeatedly until fuel can be seen inside the clear plastic bulb.



4. Move the throttle lever slightly in the direction of the arrow.

5. Pull the starter rope (Figure 03) lightly until you feel resistance, then pull briskly in the direction of the arrow. Return the starter rope gently.



6. Once the engine has started, open the choke and allow engine to idle for 3 to 5 minutes to warm-up.

## Operation

Read and understand both the engine and compactor user's manuals before starting or operating the compactor to avoid incorrect operation that may result in damage or injury.

**Note:** When ever high speed operation is NOT required, slow the engine by moving the throttle lever to a low position to save fuel and extend the life of the equipment.

1. Once the engine has started and warmed up, open the throttle fully in the direction of the arrow to operate the screed.
2. Slowly move the screed backwards watching for smooth concrete in front of the screed.

## Stopping the Engine

In an emergency situation, turn off the engine switch immediately. In normal conditions, do not stop the engine when the screed is at high speed or the engine temperature will rise suddenly, possibly causing engine parts to jam or the oil to deteriorate.

**Note:** To stop the engine in an emergency, simply press the Emergency Stop Switch on the handle.

## To stop the engine normally:

1. Reduce the engine speed by moving throttle completely in the opposite direction of the arrow and let the engine idle for 2 - 3 minutes before turning it off.

2. Press the emergency stop switch on the handle.

Please see the instruction manual of engine for further detailed information.

## After Each Use

### Clean up

Clean the screed and screed board. Clean the screed and screed board

with water to remove all concrete but take care that the engine does not get wet. The screed board can be thinly coated with diesel fuel to help prevent rust and more easily remove concrete.

Clean the engine cylinder cooling fins. A broom or old brush are good tools to remove concrete before it becomes solid.

Refer to the engine manual for more information about the engine.

## **Storage**

In case of storing the screed and board for a long period of time (for more than 30 days):

- 1) Clean the screed as described above.
- 2) Remove the board from the screed as described in this manual.
- 3) Drain the fuel tank and run the engine briefly until the fuel in the fuel in the carburetor is completely consumed
- 4) Change the engine oil and follow procedures described in engine manual for engine storage.
- 5) Clean or replace the engine air filter.
- 6) Store the Screed and board separately in a clean, dry area.
- 7) Cover the screed and board completely with dry cloth.

## **Maintenance**

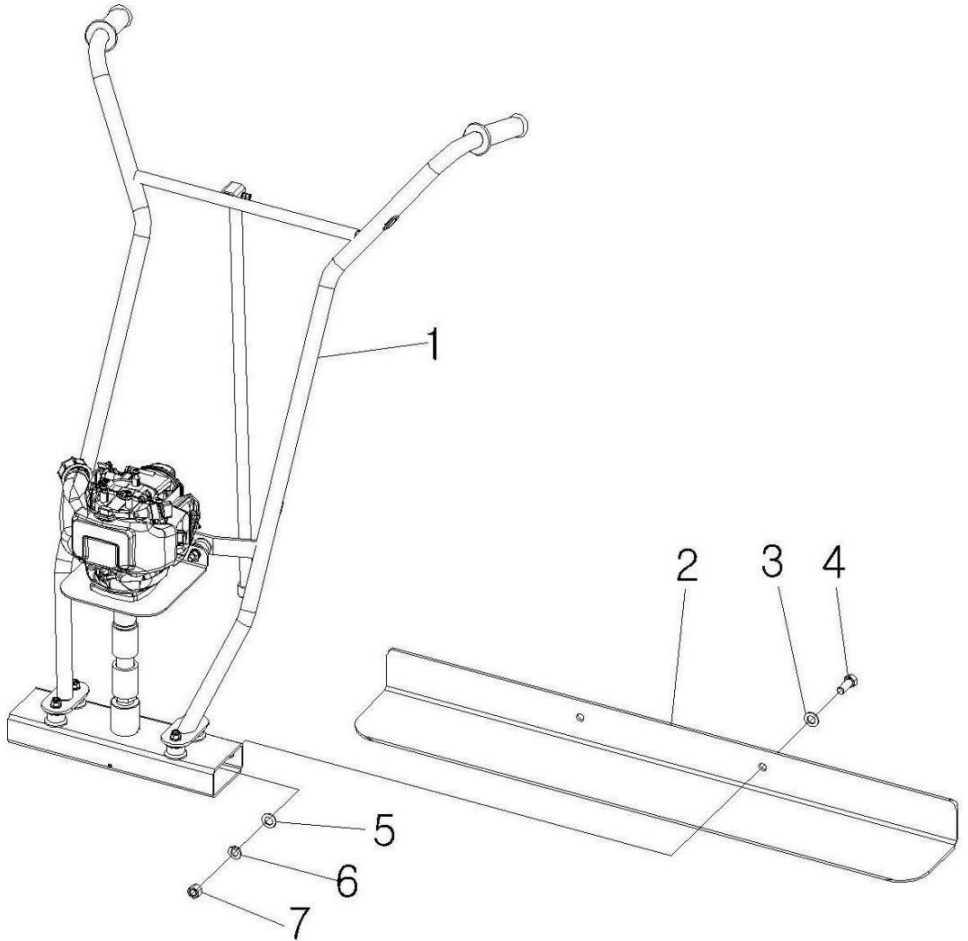
Check that the compactor engine is turned off and cooled before attempting any maintenance, cleaning, or inspection. Performing maintenance on an operating compactor can cause injury.

Maintain the Screed by adopting a program of conscientious repair and maintenance in accordance with the following recommended procedures: Also refer to the engine manufacturer's instruction manual for additional information about engine maintenance. The following chart is based on a normal operation schedule.

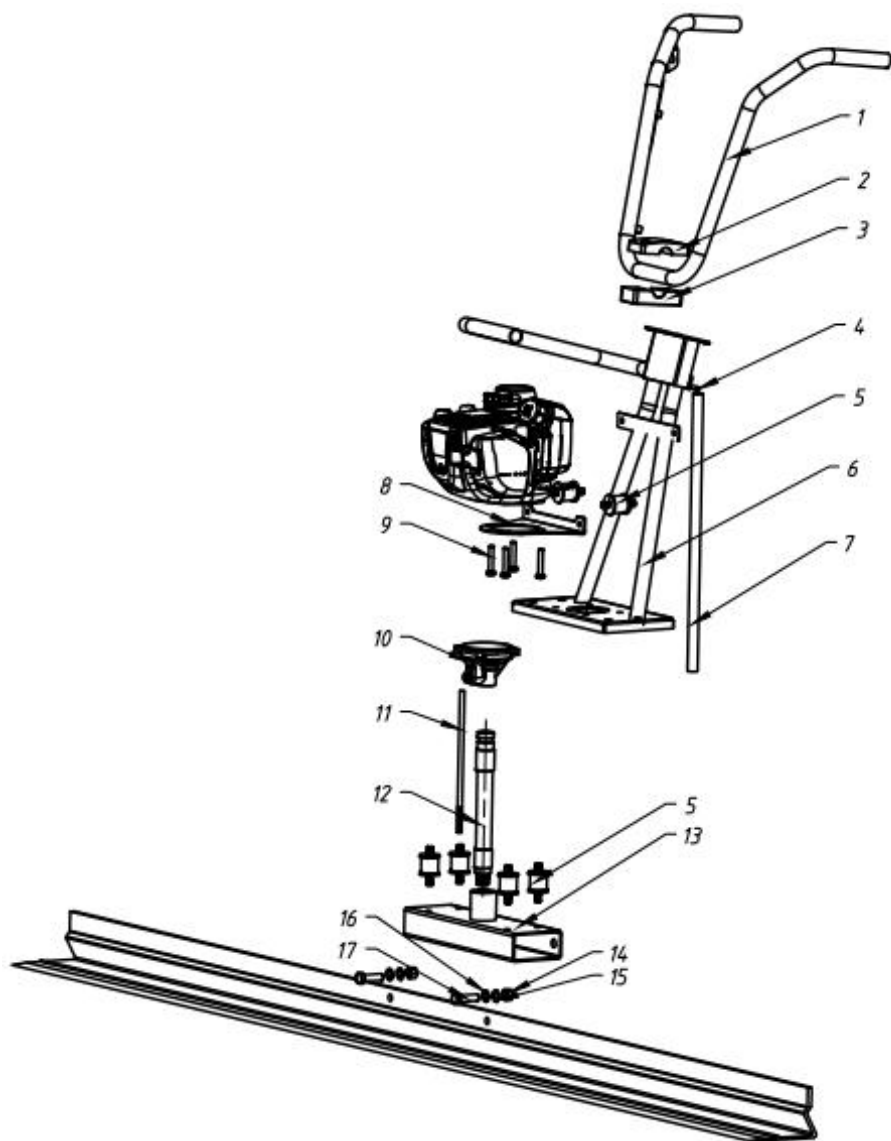
<b>Maintenance Interval</b>	<b>Maintenance Point</b>
Daily before operating	Check the fuel level. Check the engine oil level. Inspect the fuel lines. Inspect the air filter and replace it if needed. Check and tighten the external hardware.
After the first 20 operating hours or 3 months	Change the engine oil.
After the first 50 operating hours or every 6 months	Clean the air cleaner element. Change the engine oil. Check and clean the spark plug.
After the first 100 operating hours or every year	Clean the fuel strainer.
After the first 200 operating hours or every 2 years	Check and adjust the valve clearance. Clean the cylinder head. Replace the spark plug.

No.	Descriptions	Size or Dimension	Qty			
			Fit model			
			ZPJ-2 5A-6	ZPJ-2 5A-8	ZPJ- 25A- 11	ZPJ-2 5A-6/8 /11
1	Concrete Screed Head		1	1	1	1
2	Screed Board 6 ft	6ft	1	/	/	1
	Screed Board 8 ft	8ft	/	1	/	1
	Screed Board 11 ft	11ft	/	/	1	1

3	Plain Washer	M12	2	2	2	2
4	Bolt	M12x40	2	2	2	2
5	Plain Washer	M12	2	2	2	2
6	Spring Washer	M12	2	2	2	2
7	Cap Nut	M12	2	2	2	2



## Explosion Diagram






No.	Descriptions	Qty	Size or Dimension
1	Handle Welding Assembly	1	ZPJ-25A.2

2	Clamping block	1	ZPJ-25.9
3	Clamping block	1	ZPJ-25.10
4	Pin shaft	1	GB/T882-B6*35
5	Handle Support Rubber	6	TVSA-T.18
6	Handle Welding Assembly	1	ZPJ-25A.1
7	Handle Support Pipe	1	ZPJ-25.12
8	Engine Plate	1	ZPJ-25A.3
9	Bolt	4	GB/T70.1-M6*30-10.9
10	Clutch Housing Assembly	1	TVSA-T.15
11	Wire	1	TVSA-T.16
12	Rubber hose	1	TVSA-T.17
13	Vibratory Housing Assembly	1	TVSA-T.14
14	Nut	2	GB/T6170-M12
15	Plain Washer	2	GB/T97.1-φ12
16	Spring Washer	2	GB/T93-φ12
17	Bolt	2	GB/T5783-M12*40

## Parts list

No.	Name	Picture	Qty
1	Hex key(S=4)	A small L-shaped hex key with a flat end and a hexagonal handle.	1
2	Hex key(S=6)	A larger L-shaped hex key with a flat end and a hexagonal handle.	1

3	Socket wrench		
4	Dual-purpose wrench(S=18)		2
5	hex head screws kit (M12*40)		2
6	Manual		1
7	Emission declaration		1

## Troubleshooting

Please check the list below before addressing the problems to servicing personnel including local dealer. And if the problem continues after the troubleshooting as described below, call your local dealer for future assistance.

Failure	Possible Cause	Remedial Measure
Vibrates insufficient and as a result the concrete floor can't be leveled and smoothed in the proper way.	The centrifugal force is too low.	Increase engine speed.
	There are excessive amounts of concrete along the leading edge of the board.	Remove the excessive concrete from the board.
	The chosen width of the board is too large	Work with a smaller board.

Concrete looks “WAVY” as the screed board passes over it	Operator moving too slowly	Walk backwards at a faster pace.
	Too much vibration for the type of concrete	Reduce engine speed and walk backwards at a faster pace.
Leaving HIGH or LOW spots during wet screeding.	Concrete too high or low on one side?	Have workers shape the concrete close as possible to grade. Maintain about 1 inch of concrete across the front of the board at all times.
Board digs into wet concrete.	Is board positioned correctly?	Each end of the board must ride on the same surface. Either each end of the board rides on forms or concrete (wet screed) not both.

**Manufacturer:** Shnghaimuxinmuyeyouxiangongsi

**Address:** Baoshanqu Shuangchenglu 803long 11hao 1602A-1609shi  
Shanghai

**Imported to AUS:** SIHAO PTY LTD.1 ROKEVA STREETEASTWOOD  
NSW 2122 Australia

**Imported to USA:** Sanven Technology Ltd. Suite 250, 9166 Anaheim  
Place, Rancho Cucamonga, CA 91730

**EC REP:** SHUNSHUN GmbH.

Römeräcker 9 Z2021,76351 Linkenheim-Hochstetten, Germany

Tel: +49 1727041930 euvertreter@gmail.com

**UK REP:** Pooledas Group Ltd

Unit 5 Albert Edward House, The Pavilions Preston, United Kingdom

Tel: 01772418127 pooledas123@gmail.com

**Made in China**



**VEVOR<sup>®</sup>**

**TOUGH TOOLS, HALF PRICE**

**Technical Support and E-Warranty Certificate**

**[www.vevor.com/support](http://www.vevor.com/support)**

# **VEVOR<sup>®</sup>**

**TOUGH TOOLS, HALF PRICE**

Technique Assistance et certificat de garantie électronique

[www.vevor.com/support](http://www.vevor.com/support)

## **CHAPE EN BÉTON**

**MODÈLE : ZPJ-25A-6, ZPJ-25A-8, ZPJ-25A-11**

**ZPJ-25A-6/8/11**

We continue to be committed to provide you tools with competitive price.

"Save Half", "Half Price" or any other similar expressions used by us only represents an estimate of savings you might benefit from buying certain tools with us compared to the major top brands and does not necessarily mean to cover all categories of tools offered by us. You are kindly reminded to verify carefully when you are placing an order with us if you are actually saving half in comparison with the top major brands.



# VEVOR<sup>®</sup>

TOUGH TOOLS, HALF PRICE

## CONCRETE SCREED

MODÈLE : MODÈLE : ZPJ-25A-6, ZPJ-25A-8, ZPJ-25A-11  
ZPJ-25A-6/8/11



### NEED HELP? CONTACT US!

Have product questions? Need technical support? Please feel free to contact us:

**Technical Support and E-Warranty Certificate**  
[www.vevor.com/support](http://www.vevor.com/support)

This is the original instruction, please read all manual instructions carefully before operating. VEVOR reserves a clear interpretation of our user manual. The appearance of the product shall be subject to the product you received. Please forgive us that we won't inform you again if there are any technology or software updates on our product.

# GARANTIES IMPORTANTES



**AVERTISSEMENT** : Lisez et comprenez l'intégralité de ce manuel avant d'utiliser ou d'entretenir ce produit. Le non-respect de ces avertissements et instructions peut entraîner des blessures corporelles ou des dommages à des biens de valeur.

## Utilisation

### prévue

Cette chape utilise les vibrations d'un panneau de chape pour incorporer les granulats et réduire les vides d'air dans le béton, rendant ainsi les dalles plus solides. Il peut être utilisé avec une variété de longueurs de planches, notamment 6 pieds, 8 pieds, 10 pieds, 12 pieds et 14 pieds, sur des dalles, des routes, des trottoirs ou des parkings. Les planches de remplacement et les planches d'autres longueurs sont vendues séparément — voir la page des spécifications techniques pour les numéros de pièces.

Source d'énergie. La table est propulsée par un moteur à essence.

Fournitures requises. Le fonctionnement normal vous obligera à fournir :

- De l'essence
- Moteur huile
- Équipement de protection personnel

Voir la section « Spécifications » de ce manuel ou le manuel du moteur pour plus de détails.

## Spécifications techniques

### Tête de table

<b>Modèle</b>	ZPJ-25A
<b>Moteur</b>	140FA
<b>Conduire _ système</b>	Arbre flexible

<b>Poids _</b>	18 kg
<b>Taper</b>	4 temps, arbre à cames entendu, 1 cylindre
<b>Déplacement</b>	37,7 cm <sup>3</sup>

- Les avertissements, mises en garde et instructions contenus dans ce manuel ne peuvent pas couvrir toutes les conditions ou situations possibles qui pourraient survenir. Faites preuve de bon sens et de prudence lorsque vous utilisez cet outil. Toujours être conscient de l'environnement et s'assurer que l'outil est utilisé de manière sûre et responsable manière.
- NE PAS permettre aux personnes d'assembler ou d'utiliser ce produit avant d'avoir lu ce manuel et ont développé une compréhension approfondie de la façon dont le produit travaux.
- Utilisez le bon outil pour le travail. N'essayez PAS de forcer un petit équipement à effectuer le travail d'un équipement industriel plus gros. Il existe certaines applications pour lesquelles cet équipement a été conçu. Il fera le travail mieux et de manière plus sûre à la capacité pour laquelle il a été conçu. NE PAS utiliser cet équipement à des fins pour lesquelles il n'a pas été destiné.
- Les applications industrielles ou commerciales doivent suivre l'OSHA exigences.

## **▲ WARNING**

- Certaines poussières créées par le ponçage électrique, le sciage, le meulage, le perçage et d'autres activités de construction contiennent des produits chimiques reconnus par l'État de Californie comme pouvant provoquer le cancer, des malformations congénitales ou d'autres problèmes de reproduction. Quelques exemples de ces produits chimiques sont:
  - le plomb issu des peintures à base de plomb,
  - la silice cristalline provenant des briques, du ciment et d'autres produits de maçonnerie, et
  - l'arsenic et le chrome d'origine chimique traité bois de construction.
 Votre risque lié à ces expositions varie en fonction de la fréquence à

laquelle vous effectuez ce type de travail. Pour réduire votre exposition à ces produits chimiques, travaillez dans un endroit bien ventilé et travaillez avec des équipements de sécurité approuvés, tels que des masques anti-poussière spécialement conçus pour filtrer les particules microscopiques.

- La manipulation du cordon d'alimentation des produits filaires peut vous exposer au plomb, un produit chimique connu pour l'État de Californie pour provoquer le cancer, des malformations congénitales ou d'autres problèmes de reproduction. Se laver les mains après manutention.

## **⚠ WARNING**

### **SÉCURITÉ DE LA ZONE DE TRAVAIL**

- Inspectez la zone de travail avant chaque utilisation. Gardez la zone de travail propre, sèche, dégagée et bien éclairée. Des zones de travail encombrées, humides ou sombres peuvent entraîner blessure.
- Ne pas utiliser la table là où il y a un risque de provoquer un incendie ou une explosion ; par exemple, dans la présence de liquides, de gaz ou de poussière.
- Ne laissez pas l'outil entrer en contact avec une source électrique. L'outil n'est pas isolé, et le contact provoquera un choc électrique choc.
- Gardez les enfants et les spectateurs éloignés de la zone de travail pendant l'utilisation de la table. Ne pas permettre aux enfants de manipuler le Chape.

• Soyez conscient de toutes les lignes électriques, circuits électriques, conduites d'eau et autres risques mécaniques dans votre espace de travail. Certains de ces dangers peuvent être cachés à votre vue et peuvent causer des blessures corporelles et/ou des dommages matériels si contacté.

## **⚠ WARNING**

### **SÉCURITÉ PERSONNELLE**

- Restez vigilant, surveillez ce que vous faites et faites preuve de bon sens lorsque vous utilisez la table. Ne n'utilisez pas le Screeed lorsque vous êtes fatigué ou sous l'influence de drogues, d'alcool ou médicament.
- Habillez-vous correctement. Ne portez pas de vêtements amples, d'objets pendants ou de bijoux. Gardez vos cheveux, vos vêtements et vos gants éloignés des pièces mobiles. Les vêtements amples, les bijoux ou les cheveux longs peuvent être happés pièces mobiles.
- Utilisez des lunettes de sécurité approuvées ANSI Z87.1 ou des lunettes de sécurité avec écrans latéraux, ou si nécessaire, un écran facial. Utilisez un masque anti-poussière dans des conditions de travail poussiéreuses. Utilisez également des chaussures de sécurité antidérapantes, durs chapeaux , gants, systèmes de dépoussiérage et protection auditive, le cas échéant . Ceci s'applique à toutes les personnes travaillant zone.
- N'allez pas trop loin. Gardez une bonne position et un bon équilibre fois.
- Retirez les clés ou les clés de réglage avant de démarrer la table. Une clé ou une clé qui est laissé attaché à une partie rotative de la table peut provoquer des blessures blessure.
- Ne pas fumer, allumettes ou flammes nues autour de la machine. Le carburant est inflammable.
- Ne touchez pas à chaud surfaces.
- Moteur échappement contient carbone monoxyde. Ceci est un t'empoisonner peut pas voir ou odeur. JAMAIS utiliser .

## **UTILISATION ET ENTRETIEN DE LA CHAPE**

- Ne forcez pas la table à effectuer une opération autre que celle pour laquelle elle est destinée. Les tables effectuent un travail meilleur et plus sûr lorsqu'elles sont utilisées de la manière pour laquelle elles ont été conçues. Planifiez votre travail et utilisez la table appropriée pour le emploi.
- Vérifiez les pièces endommagées avant chaque utilisation. Vérifiez soigneusement que la table fonctionnera correctement et remplir la fonction prévue. Remplacez immédiatement les pièces endommagées ou usées. N'utilisez jamais la table avec un partie.

- Rangez la chape lorsqu'elle n'est pas utilisée. Conservez-le dans un endroit sec et sécurisé, hors de portée des enfants. Inspectez la chape pour vous assurer de son bon état de fonctionnement avant le stockage et avant réutilisation . \_
- Utilisez uniquement les accessoires recommandés par le fabricant pour une utilisation avec la table. Les accessoires pouvant convenir à une table peuvent créer un risque de blessure lorsqu'ils sont utilisés avec une autre table.
- Maintenir les gardes en place et en fonctionnement commande.
- Gardez le tableau Chape faire le ménage.
- Ne laissez pas la table en marche sans surveillance.
- Fermez le robinet de carburant lorsque le moteur ne tourne pas. utiliser.
- Utilisez uniquement le carburant recommandé pour éviter d'endommager le équipement.
- L'huile n'est pas fournie avec la machine. Ajoutez de l'huile au moteur avant le premier utiliser.
- Vérifiez les niveaux d'huile avant d'utiliser le machine.
- NE PAS faire le plein du moteur lorsqu'il est encore chaud. Le carburant est inflammable.
- NE PAS entretenir le moteur lorsqu'il est encore chaud.

## **Avertissements de fonctionnement spécifiques**

### **Pour éviter un accident mortel**

- Arrêtez le moteur avant de faire le plein et veillez à ne pas renverser de carburant pendant le ravitaillement. Déversé le carburant peut s'enflammer et provoquer un incendie.
- Ne faites pas le plein du moteur à proximité d'objets inflammables pour éviter feu.
- Ne faites pas tourner le moteur dans des espaces clos pour éviter que le monoxyde de carbone empoisonnement.

### **Pour protéger l'opérateur**

- En cas de fatigue due au fonctionnement, l'opérateur doit arrêter la

machine et prendre casser.

- Une protection auditive est requise car cette machine crée une émission sonore à 1 m (3 pieds) du équipement.

### **Pour éviter des blessures ou des dommages**

- Les compacteurs à plaques ne sont utilisés que par des personnes autorisées OMS:
  - avez au moins 18 ans âge.
  - sont physiquement et mentalement capables de faire fonctionner le chape.
  - sont correctement formés au fonctionnement et à l'entretien de la table par le propriétaire ou c'est autorisé représentant.
  - sont évalués comme étant capables d'exercer leurs fonctions de manière fiable.
- Les personnes qui boivent des boissons alcoolisées et/ou qui prennent des drogues ne sont pas autorisées à opérer la plaque compacteur.
- Les personnes ne sont pas autorisées à entrer dans la zone dangereuse du chape.
- L'opérateur doit surveiller en permanence la zone dangereuse. Il n'est pas autorisé à fonctionner s'il y a une personne en danger zone.
- L'opérateur doit donner des signes d'avertissement en cas d'urgence situation.
- La table ne peut être utilisée que si une stabilité suffisante est assurée. accordé.
- L'opérateur doit contrôler à tout moment la vitesse de déplacement de la table pendant son fonctionnement afin que la table puisse être arrêtée à tout moment. temps.
- L'opérateur doit éteindre complètement la table comme décrit dans ce manuel avant de quitter la position de fonctionnement. La chape doit également être sécurisée contre toute utiliser.
- Le moteur doit être arrêté et protégé contre tout redémarrage en retirant la douille de la bougie d'allumage pendant l'entretien et entretien.
- L'opérateur doit contrôler la table en ce qui concerne les fonctions et les

défauts évidents avant utiliser.

- Les défauts découverts doivent être signalés au personnel de surveillance et à l'exploitant. Ne pas laisser les défauts qui peuvent causer des blessures graves au opérateur.
- Ne pas utiliser la table lorsqu'un défaut met en danger la sécurité de l'opérateur jusqu'à ce que le défaut soit est rectifié.
- La chape doit être vérifiée régulièrement par un expert ( au moins une fois par an) . Et il faut être vérifié par un expert avant la première utilisation et après les opérations essentielles modification.
- Pendant l'opération, l'opérateur doit surveiller d'autres objets dans un rayon de 20 m au cas où d'éclairage.
- La table génère de la chaleur mécanique, ne touchez donc pas le corps du moteur, le silencieux ou autre pièces pendant le fonctionnement, ce qui pourrait provoquer des brûlures thermiques. Veuillez attendre qu'il refroidisse touche.

- L'opérateur doit être entièrement équipé d'équipements de sécurité, notamment un casque, des gants de sécurité, des chaussures de sécurité, des lunettes de sécurité et un masque avant d'utiliser le chape.
- Ne transportez pas la table avec du carburant dans son réservoir de carburant par le moteur véhicule.
- Ne soulevez pas la table par une personne lors de la mise en place et du retrait du véhicule. Utilisez toujours une grue de levage appropriée pour vous déplacer. Le levage par une personne peut provoquer des blessures en raison de sa lourdeur. poids.
- Assurez-vous de bien fixer la chape pour le transport. Une mauvaise fixation, comme le fait de tenir la poignée de la table pendant le transport, peut provoquer un blessure.
- Remarque : reportez-vous au manuel d'instructions du moteur s'il y a un problème ou une question à ce sujet avant ou pendant son fonctionnement.

# Instructions de montage

## Assemblage de la chape



Alignez la lame avec l'assemblage.



Fixez les rondelles, les vis de verrouillage et les boulons.



Répétez l'étape 2 pour le deuxième trou.



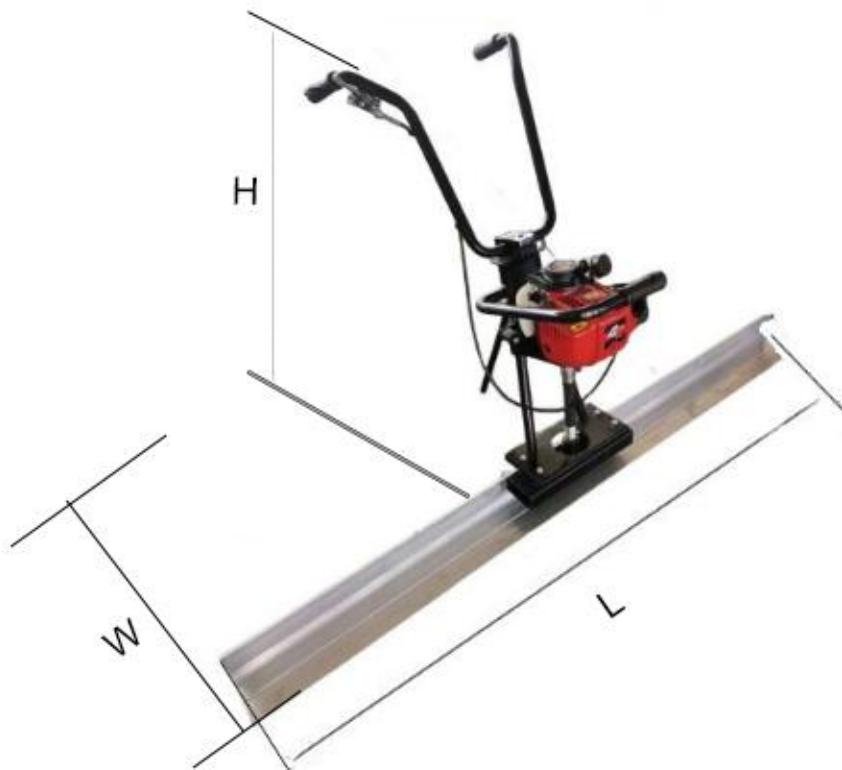
Connectez le câble d'accélérateur au moteur.



Localisez la vis de l'accélérateur trouvée sur le moteur et placez le câble dans l'espace.

Serrez et assurez-vous que lorsque vous tirez sur la poignée d'accélérateur, le câble engage le moteur.

## Dimension



Modèle	L(mm)	W(mm)	H(mm)
ZPJ-25A-6	1830	670	730-1060
ZPJ-25A-8	2445	670	730-1060
ZPJ-25A-11	3370	670	730-1060
ZPJ-25A-6/8/11	3370	670	730-1060

## Avant chaque utilisation

### Préparation à l'opération

- 1) Vérifiez tous les boulons, écrous et boulons et serrez ceux qui sont desserrés.
- 2) Obtenez la longueur de chape souhaitée conseil.

### Recommandé Carburant

- 1) Le moteur de la table nécessite de l'essence ordinaire sans plomb. Utilisez uniquement du carburant frais et propre. Carburant contenant de l'eau ou de la saleté endommagera le système de carburant. Consultez le manuel du propriétaire du moteur pour connaître les spécifications complètes du carburant .

### Avant de démarrer le moteur

- 1) Lisez et comprenez le manuel d'instructions de sécurité et d'utilisation du moteur.
- 2) Vérifiez :
  - Niveau d'huile dans moteur.
  - Carburant niveau.
  - État de l'air nettoyeur.
  - Étanchéité de l'extérieur attaches.
  - État du carburant lignes.
  - Usure de l'étincelle prise .

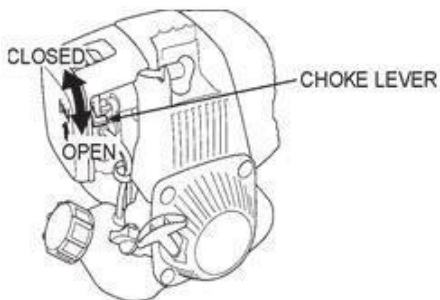
## Mode d'emploi

### **WARNING**

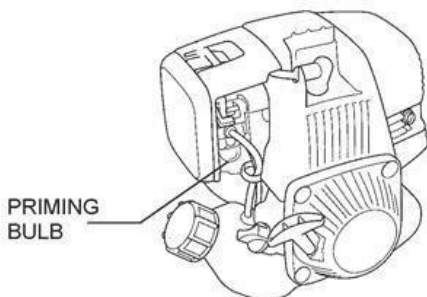
Lisez et comprenez le manuel d'utilisation de la table (ce manuel) et le manuel du moteur avant de démarrer ou d'utiliser la table pour éviter une utilisation incorrecte pouvant entraîner des dommages ou des blessures.

## Démarrage du moteur

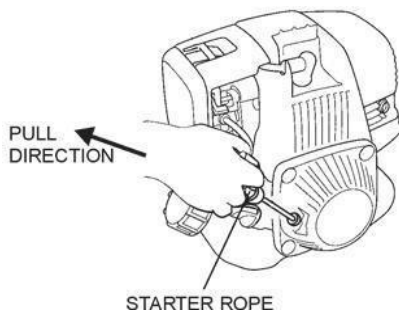
1. Effectuez toutes les opérations avant chaque utilisation pas.
2. Pour démarrer un moteur froid, déplacez le levier de starter en position FERMÉ. Si vous redémarrez un moteur chaud, laissez le levier de starter en position OUVERTE. position.



3. Appuyez plusieurs fois sur la poire d'amorçage jusqu'à ce que le carburant soit visible à l'intérieur du plastique transparent. ampoule.



4. Déplacez légèrement la manette des gaz dans la direction du flèche.
5. Tirez légèrement sur la corde de démarrage (Figure 03) jusqu'à ce que vous sentiez une résistance, puis tirez vigoureusement en direction du flèche. Renvoyer la corde de démarrage doucement.



6. Une fois le moteur démarré, ouvrez le starter et laissez le moteur tourner au ralenti pendant 3 à 5 minutes pour réchauffer.

## Opération

Lisez et comprenez les manuels d'utilisation du moteur et du compacteur avant de démarrer ou d'utiliser le compacteur pour éviter un fonctionnement incorrect pouvant entraîner des dommages ou des blessures.

**Remarque :** lorsque jamais haut vitesse opération est PAS requis, lent le moteur par en mouvement le Manette de Gaz levier à un position basse à sauvegarder carburant et étendre le vie de le équipement.

1. Une fois le moteur démarré et réchauffé, ouvrez complètement l'accélérateur dans le sens de la flèche pour faire fonctionner le moteur. chape.
2. Déplacez lentement la table vers l'arrière en veillant à ce que le béton soit lisse devant la table. chape.

## Arrêter le moteur

En cas d'urgence, coupez immédiatement le contacteur du moteur. Dans des conditions normales, n'arrêtez pas le moteur lorsque la table tourne à grande vitesse, car la température du moteur augmenterait soudainement, ce qui pourrait provoquer un blocage des pièces du moteur ou une détérioration de l'huile.

**Remarque :** Pour arrêter le moteur en cas d'urgence, appuyez simplement sur l'interrupteur d'arrêt d'urgence sur la poignée.

### **Pour arrêter le moteur normalement :**

1. Réduisez le régime moteur en déplaçant complètement l'accélérateur dans le sens opposé de la flèche et laissez le moteur tourner au ralenti pendant 2 à 3 minutes avant de le faire tourner désactivé.

2. Appuyez sur l'interrupteur d'arrêt d'urgence du poignée.

Veillez consulter le manuel d'instructions du moteur pour plus d'informations détaillées.

## **Après chaque utilisation**

### **Faire le ménage en haut**

Nettoyer la chape et la planche à lisser. Nettoyez la chape et la planche à lisser avec de l'eau pour éliminer tout le béton, mais veillez à ce que le moteur ne soit pas mouillé. La chape peut être recouverte d'une fine couche de carburant diesel pour aider à prévenir la rouille et à enlever plus facilement le béton.

Nettoyer les ailettes de refroidissement des cylindres du moteur. Un balai ou une vieille brosse sont de bons outils pour enlever le béton avant qu'il ne devienne solide.

Reportez-vous au manuel du moteur pour plus d'informations sur le moteur.

### **Stockage**

En cas de stockage de la chape et des panneaux pendant une longue période (plus de 30 jours) :

1) Nettoyer la chape comme décrit au-dessus de.

2) Retirez la planche de la chape comme décrit dans ce manuel.

3) Vidangez le réservoir de carburant et faites tourner le moteur brièvement jusqu'à ce que le carburant contenu dans le carburateur soit complètement consommé

- 4) Changez l'huile moteur et suivez les procédures décrites dans le manuel du moteur pour le moteur. stockage.
- 5) Nettoyer ou remplacer l'air du moteur filtre.
- 6) Stockez la chape et le panneau séparément dans un endroit propre et sec. zone.
- 7) Couvrir complètement la chape et les planches avec du tissu.

## Entretien

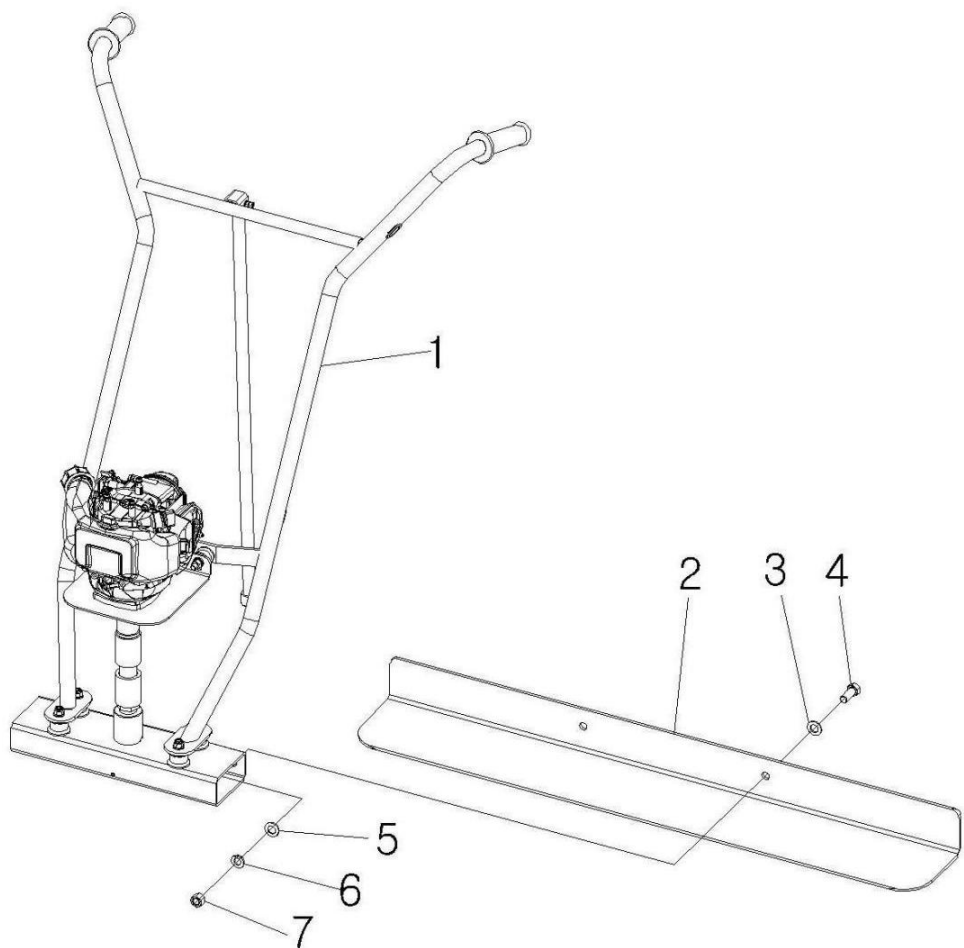
Vérifiez que le moteur du compacteur est éteint et refroidi avant de tenter tout entretien, nettoyage ou inspection. Effectuer l'entretien d'un compacteur en fonctionnement peut provoquer des blessures.

Entretenez la table en adoptant un programme de réparation et d'entretien consciencieux conformément aux procédures recommandées suivantes : Reportez-vous également au manuel d'instructions du fabricant du moteur pour plus d'informations sur l'entretien du moteur. Le tableau suivant est basé sur un programme de fonctionnement normal.

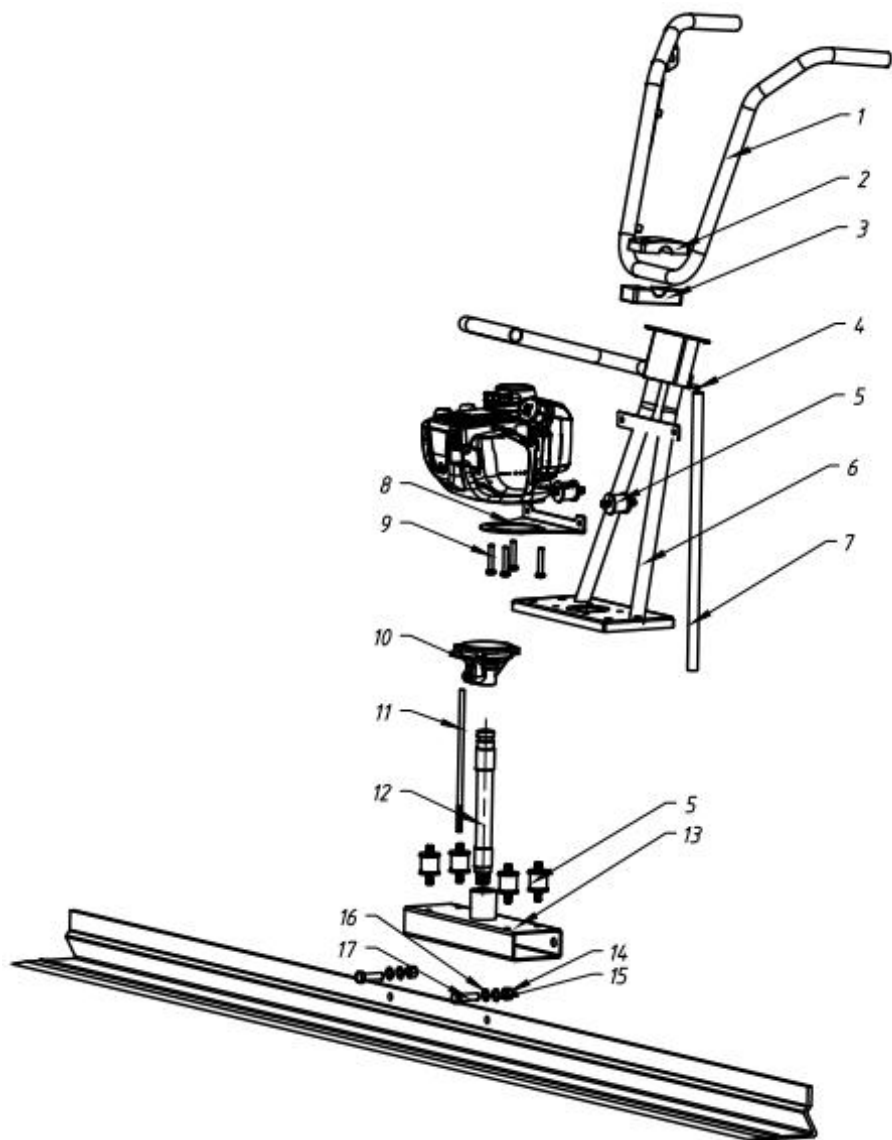
<b>Intervalle d'entretien</b>	<b>Point d'entretien</b>
Quotidiennement avant l'opération	Vérifiez le niveau de carburant. Vérifiez le niveau d'huile moteur. Inspectez les conduites de carburant. Inspectez le filtre à air et remplacez-le si nécessaire. Vérifiez et serrez le matériel externe.
Après les 20 premières heures de fonctionnement ou 3 mois	Changez l'huile moteur.

Après les 50 premières heures de fonctionnement ou tous les 6 mois	Nettoyer l'élément du filtre à air. Changez l'huile moteur. Vérifiez et nettoyez la bougie d'allumage.
Après les 100 premières heures de fonctionnement ou toutes les année	Nettoyer la crépine de carburant.
Après les 200 premières heures de fonctionnement ou tous les 2 ans	Vérifiez et réglez le jeu des soupapes. Nettoyer la culasse. Remplacez la bougie d'allumage.

No n.	Descriptions	Taille ou dimension	Quantité			
			Modèle adapté			
			ZPJ-2 5A- 6	ZPJ-2 5A-8	ZPJ- 25A- 11	ZPJ-2 5A-6/8 /11
1	Béton Tête de table		1	1	1	1
2	Planche à chape 6 pi	6 pieds	1	/	/	1
	Planche à chape 8 pi	8 pieds	/	1	/	1
	Planche à chape 1 1 pi	1 1 pied	/	/	1	1
3	Rondelle simple	M12	2	2	2	2
4	Boulon	M12x4 0 _	2	2	2	2
5	Rondelle simple	M12	2	2	2	2
6	Rondelle à ressort	M12	2	2	2	2
7	Écrou borgne	M12	2	2	2	2





**Diagramme éclaté**






Non.	Descriptions	Quantité	Taille ou dimension
1	Ensemble de soudage de poignée	1	ZPJ-25A.2

2	Bloc de serrage	1	ZPJ-25.9
3	Bloc de serrage	1	ZPJ-25.10
4	Arbre de goupille	1	GB/T882-B6*35
5	Caoutchouc de support de poignée	6	TVSA-T.18
6	Ensemble de soudage de poignée	1	ZPJ-25A.1
7	Tuyau de support de poignée	1	ZPJ-25.12
8	Plaque moteur	1	ZPJ-25A.3
9	Boulon	4	GB/T70.1-M6*30-10.9
dix	Ensemble de carter d'embrayage	1	TVSA-T.15
11	Fil	1	TVSA-T.16
12	Tuyau en caoutchouc	1	TVSA-T.17
13	Assemblage du boîtier vibrant	1	TVSA-T.14
14	Noix	2	GB/T6170-M12
15	Rondelle simple	2	GB/T97.1-φ12
16	Rondelle à ressort	2	GB/T93-φ12
17	Boulon	2	GB/T5783-M12*40

## Liste des pieces

Non.	Nom	Image	Quantité
1	Clé hexagonale (S=4)		1
2	Clé hexagonale (S=6)		1

3	Clé à douille		
4	Clé double usage (S=18)		2
5	de vis à tête hexagonale (M12*40)		2
6	Manuel		1
7	Déclaration d'émission		1

## Dépannage

Veillez consulter la liste ci-dessous avant de contacter le personnel de service, y compris le revendeur local, avant de résoudre les problèmes. Et si le problème persiste après le dépannage décrit ci-dessous, appelez votre revendeur local pour obtenir de l'aide ultérieurement.

Échec	Cause possible	Mesure corrective
La vibration est insuffisante et le sol en béton ne peut donc pas être nivelé et lissé correctement.	La force centrifuge est trop faible.	Augmentez le régime moteur.
	Il y a des quantités excessives de béton le long du bord d'attaque de la planche.	Retirez l'excès de béton de la planche.
	La largeur de planche choisie est trop grande	Travaillez avec une planche plus petite.

Le béton semble « ONDULÉ » lorsque la chape passe dessus.	L'opérateur bouge trop lentement	Reculez à un rythme plus rapide.
	Trop de vibrations pour le type de béton	Réduisez le régime moteur et reculez plus rapidement.
Laisser des points ÉLEVÉS ou BAS lors d'une pose humide.	Béton trop haut ou trop bas d'un côté ?	Demandez aux ouvriers de façonner le béton le plus près possible du niveau. Maintenez à tout moment environ 1 pouce de béton sur le devant de la planche.
La planche creuse le béton humide.	La planche est-elle correctement positionnée ?	Chaque extrémité de la planche doit rouler sur la même surface. Soit chaque extrémité de la planche repose sur des coffrages, soit sur du béton (chape humide), pas les deux.

**Fabricant :** Shanghaimuxinmuyeyouxiangongsi

**Adresse :** Baoshanqu Shuangchenglu 803long 11hao 1602A-1609shi  
Shanghai

**Importé en Australie :** SIHAO PTY LTD.1 ROKEVA STREETESTWOOD  
NSW 2122 Australie

**Importé aux États-Unis :** Sanven Technology Ltd. Suite 250, 9166  
Anaheim Place, Rancho Cucamonga, Californie 91730

**REPRÉSENTANT CE :** SHUNSHUN GmbH.

Römeräcker 9 Z2021,76351 Linkenheim-Hochstetten, Allemagne

Tél : +49 1727041930 euvertreter@gmail.com

**REPRÉSENTANT DU ROYAUME-UNI:** Pooledas Group Ltd

Unité 5 Albert Edward House, The Pavilions Preston, Royaume-Uni

Tél : 01772418127 pooledas123@gmail.com

**Fabriqué en Chine**



**VEVOR<sup>®</sup>**

**TOUGH TOOLS, HALF PRICE**

**Technique Assistance et certificat de garantie électronique**

**[www.vevor.com/support](http://www.vevor.com/support)**

# **VEVOR<sup>®</sup>**

## **TOUGH TOOLS, HALF PRICE**

Technisch Support- und E-Garantie-Zertifikat [www.vevor.com/support](http://www.vevor.com/support)

### **BETONESTRICH**

**MODELL: ZPJ-25A-6, ZPJ-25A-8, ZPJ-25A-11  
ZPJ-25A-6/8/11**

We continue to be committed to provide you tools with competitive price.

"Save Half", "Half Price" or any other similar expressions used by us only represents an estimate of savings you might benefit from buying certain tools with us compared to the major top brands and does not necessarily mean to cover all categories of tools offered by us. You are kindly reminded to verify carefully when you are placing an order with us if you are actually saving half in comparison with the top major brands.





# VEVOR<sup>®</sup>

TOUGH TOOLS, HALF PRICE

## CONCRETE SCREED

MODELL: MODELL: ZPJ-25A-6, ZPJ-25A-8, ZPJ-25A-11  
ZPJ-25A-6/8/11



### NEED HELP? CONTACT US!

Have product questions? Need technical support? Please feel free to contact us:

**Technical Support and E-Warranty Certificate**  
**[www.vevor.com/support](http://www.vevor.com/support)**

This is the original instruction, please read all manual instructions carefully before operating. VEVOR reserves a clear interpretation of our user manual. The appearance of the product shall be subject to the product you received. Please forgive us that we won't inform you again if there are any technology or software updates on our product.

# WICHTIGE SICHERHEITSMASSNAHMEN



**WARNUNG:** Lesen und verstehen Sie dieses gesamte Handbuch, bevor Sie dieses Produkt in Betrieb nehmen oder warten. Die Nichtbeachtung dieser Warnungen und Anweisungen kann zu Verletzungen oder Sachschäden

führen.

## Verwendungen

### zweck

Dieser Estrich nutzt Vibrationen durch eine Estrichplatte, um Zuschlagstoffe einzubetten und Luftporen im Beton zu reduzieren, wodurch die Platten stabiler werden. Es kann mit einer Vielzahl von Dielenlängen, einschließlich 6 Fuß, 8 Fuß, 10 Fuß, 12 Fuß und 14 Fuß, auf Plattenböden, Straßen, Gehwegen oder Parkplätzen verwendet werden. Ersatzplatinen und Platinen in anderen Längen sind separat erhältlich – Teilenummern finden Sie auf der Seite mit den technischen Daten. Energiequelle. Die Bohle wird von einem Benzinmotor angetrieben. Erforderliche Materialien. Für den normalen Betrieb müssen Sie Folgendes bereitstellen:

- Benzin
- Motor Öl
- Persönliche Schutzausrüstung

Weitere Einzelheiten finden Sie im Abschnitt „Technische Daten“ dieses Handbuchs oder im Motorhandbuch.

## Technische Spezifikationen

### Estrichkopf

<b>Modell</b>	ZPJ-25A
<b>Motor</b>	140FA
<b>Fahren _ System</b>	Flexibler Schaft

<b>Gewicht _</b>	18kg
<b>Typ</b>	4-Takt, obenliegende Nockenwelle, 1 Zylinder
<b>Verschiebung</b>	37,7 cm <sup>3</sup>

- Die Warnungen, Vorsichtshinweise und Anweisungen in diesem Handbuch können nicht alle möglichen Bedingungen oder Situationen abdecken, die auftreten können. Gehen Sie bei der Verwendung dieses Werkzeugs mit gesundem Menschenverstand und Vorsicht vor. Stets Achten Sie auf die Umwelt und stellen Sie sicher, dass das Werkzeug sicher und verantwortungsbewusst verwendet wird. Benehmen.
- Erlauben Sie Personen NICHT, dieses Produkt zu montieren oder zu bedienen, bevor sie dieses Handbuch gelesen haben und haben ein umfassendes Verständnis dafür entwickelt, wie das Produkt funktioniert.
- Verwenden Sie das richtige Werkzeug für den Job. Versuchen Sie NICHT, kleine Geräte dazu zu zwingen, die Arbeit größerer Industriegeräte zu übernehmen. Es gibt bestimmte Anwendungen, für die dieses Gerät entwickelt wurde. Es wird die Arbeit bei der vorgesehenen Kapazität besser und sicherer erledigen. Benutzen Sie dieses Gerät NICHT für einen Zweck, für den es nicht vorgesehen ist beabsichtigt.
- Industrielle oder kommerzielle Anwendungen müssen OSHA befolgen Anforderungen.

## **⚠ WARNING**

- Einige Stäube, die beim maschinellen Schleifen, Sägen, Schleifen, Bohren und anderen Bautätigkeiten entstehen, enthalten Chemikalien, von denen im US-Bundesstaat Kalifornien bekannt ist, dass sie Krebs, Geburtsfehler oder andere Fortpflanzungsschäden verursachen. Einige Beispiele dieser Chemikalien sind:
    - Blei aus Bleifarben,
    - kristalline Kieselsäure aus Ziegeln, Zement und anderen Mauerwerksprodukten und
    - Arsen und Chrom chemisch behandelt Holz.
- Ihr Risiko durch diese Expositionen variiert je nachdem, wie oft Sie diese

Art von Arbeit ausführen. Um die Belastung durch diese Chemikalien zu reduzieren, arbeiten Sie in einem gut belüfteten Bereich und mit zugelassener Sicherheitsausrüstung, wie z. B. Staubmasken, die speziell zum Herausfiltern mikroskopischer Partikel entwickelt wurden.

• Beim Umgang mit dem Netzkabel von kabelgebundenen Produkten besteht die Gefahr, dass Sie der Chemikalie Blei ausgesetzt werden dem Staat Kalifornien, Krebs und Geburtsfehler oder andere Fortpflanzungsschäden zu verursachen. Danach Hände waschen Handhabung.

## **⚠ WARNING**

### **SICHERHEIT IM ARBEITSBEREICH**

- Überprüfen Sie den Arbeitsbereich vor jedem Gebrauch. Halten Sie den Arbeitsbereich sauber, trocken, frei von Unordnung und gut beleuchtet. Unaufgeräumte, nasse oder dunkle Arbeitsbereiche können dazu führen Verletzung.
- Benutzen Sie den Estrich nicht dort, wo die Gefahr eines Brandes oder einer Explosion besteht; z. B. in der Vorhandensein von brennbaren Flüssigkeiten, Gasen oder Staub.
- Lassen Sie das Werkzeug nicht mit einer Stromquelle in Kontakt kommen. Das Werkzeug ist nicht isoliert, und bei Kontakt kommt es zu elektrischem Strom Schock.
- Halten Sie Kinder und Unbeteiligte vom Arbeitsbereich fern, während Sie die Bohle bedienen. Nicht Lassen Sie Kinder damit umgehen Estrich.

• Achten Sie auf alle Stromleitungen, Stromkreise, Wasserleitungen und andere mechanische Gefahren in Ihr Arbeitsbereich. Einige dieser Gefahren können für Sie verborgen bleiben und zu Personen- und/oder Sachschäden führen kontaktiert.

## **⚠ WARNING**

### **PERSÖNLICHE SICHERHEIT**

- Bleiben Sie wachsam, beobachten Sie, was Sie tun, und nutzen Sie Ihren gesunden Menschenverstand, wenn Sie die Bohle bedienen. Tun Benutzen Sie den Screed nicht, wenn Sie müde sind oder unter dem Einfluss von Drogen, Alkohol usw. stehen Medikamente.
- Ziehe dich richtig an. Tragen Sie keine weite Kleidung, baumelnde Gegenstände oder Schmuck. Halten Sie Haare, Kleidung und Handschuhe von beweglichen Teilen fern. Lose Kleidung, Schmuck oder lange Haare können darin hängen bleiben bewegliche Teile.
- Verwenden Sie eine nach ANSI Z87.1 zugelassene Schutzbrille oder eine Schutzbrille mit Seitenschutz oder bei Bedarf einen Gesichtsschutz. Verwenden Sie bei staubigen Arbeitsbedingungen eine Staubmaske. Benutzen Sie außerdem rutschfeste Sicherheitsschuhe, hart Hüte , Handschuhe, Staubsammelsysteme und gegebenenfalls Gehörschutz. Dies gilt für alle am Werk beteiligten Personen Bereich.
- Übertreiben Sie es nicht. Achten Sie stets auf den richtigen Stand und das Gleichgewicht mal.
- Entfernen Sie Einstellschlüssel oder Schraubenschlüssel, bevor Sie mit der Bohle beginnen. Ein Schraubenschlüssel oder Schlüssel also Wenn es an einem rotierenden Teil der Bohle befestigt bleibt, kann es zu Verletzungen kommen Verletzung.
- Rauchen, Streichhölzer und offene Flammen in der Nähe der Maschine sind verboten. Kraftstoff ist brennbar.
- Nicht heiß anfassen Oberflächen.
- Motor Auspuff enthält Kohlenstoff Kohlenmonoxid. Dies Ist A vergifte dich dürfen nicht sehen oder Geruch. NIEMALS verwenden .

## **VERWENDUNG UND PFLEGE DES ESTRICHS**

- Zwingen Sie den Bohlen nicht dazu, einen anderen als den vorgesehenen Verwendungszweck auszuführen. Estriche leisten eine bessere und sicherere Arbeit, wenn sie bestimmungsgemäß verwendet werden. Planen Sie Ihre Arbeit und nutzen Sie sie der richtige Estrich für die Arbeit.
- Überprüfen Sie vor jedem Gebrauch, ob beschädigte Teile vorhanden

sind. Überprüfen Sie sorgfältig, ob der Estrich funktioniert ordnungsgemäß funktioniert und die vorgesehene Funktion erfüllt. Beschädigte oder verschlissene Teile sofort ersetzen. Betreiben Sie die Bohle niemals mit beschädigter Maschine Teil.

- Bewahren Sie den Estrich auf, wenn er nicht verwendet wird. Bewahren Sie es an einem trockenen, sicheren Ort außerhalb der Reichweite von Kindern auf. Überprüfen Sie den Estrich vor und vor der Lagerung auf guten Betriebszustand wiederverwenden . \_
- Verwenden Sie nur Zubehör, das vom Hersteller für die Verwendung mit dem Screed empfohlen wird. Zubehörteile, die für einen Bohlen geeignet sind, können bei der Verwendung mit einem anderen Bohlen ein Verletzungsrisiko darstellen.
- Halten Sie die Schutzvorrichtungen an Ort und Stelle und in Funktion Befehl.
- Behalten Sie die Estrichplatte sauber.
- Lassen Sie den Estrich nicht laufen unbeaufsichtigt.
- Schließen Sie den Kraftstoffhahn, wenn der Motor nicht läuft verwenden.
- Verwenden Sie nur den empfohlenen Kraftstoff, um Schäden am zu vermeiden Ausrüstung.
- Im Lieferumfang der Maschine ist kein Öl enthalten. Füllen Sie vor dem ersten Mal Öl in den Motor verwenden.
- Überprüfen Sie den Ölstand, bevor Sie das Gerät in Betrieb nehmen Maschine.
- Tanken Sie den Motor NICHT auf, solange er noch heiß ist. Kraftstoff ist brennbar.
- Warten Sie den Motor NICHT, solange er stillsteht heiß.

## **Spezifische Betriebswarnungen**

### **Um tödliche Unfälle zu vermeiden**

- Stellen Sie den Motor vor dem Tanken ab und achten Sie darauf, dass beim Tanken kein Kraftstoff verschüttet wird. Verschüttet Kraftstoff kann sich entzünden und einen Brand verursachen.
- Tanken Sie den Motor nicht in der Nähe von brennbaren Gegenständen

auf, um dies zu vermeiden Feuer.

- Lassen Sie den Motor nicht in geschlossenen Räumen laufen, um Kohlenmonoxid zu vermeiden Vergiftung.

### **Zum Schutz des Bedieners**

- Bei Ermüdung durch den Betrieb muss der Bediener die Maschine anhalten und nehmen brechen.
- Es ist ein Gehörschutz erforderlich, da diese Maschine in einer Entfernung von 1 m (3 Fuß) Lärm erzeugt Ausrüstung.

### **Um Verletzungen oder Schäden zu vermeiden**

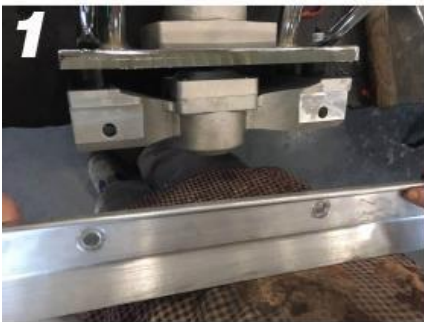
- Die Plattenverdichter dürfen nur von autorisierten Personen bedient werden WHO:
  - sind mindestens 18 Jahre alt Alter.
  - körperlich und geistig in der Lage sind, das zu bedienen Estrich.
  - vom Eigentümer ordnungsgemäß in die Bedienung und Wartung des Estrichs eingewiesen sind bzw Es ist autorisiert Vertreter.
  - werden auf ihre Fähigkeit hin beurteilt, ihre Aufgaben wahrzunehmen zuverlässig.
- Personen, die alkoholische Getränke trinken und/oder Drogen nehmen, dürfen nicht operieren der Teller Verdichter.
- Das Betreten des Gefahrenbereichs ist Personen nicht gestattet Estrich.
- Der Bediener muss den Gefahrenbereich ständig überwachen. Wenn dies der Fall ist, ist der Betrieb nicht gestattet eine Person in Gefahr Zone.
- Der Betreiber muss im Notfall Warnschilder anbringen Situation.
- Der Betrieb der Bohle ist nur bei ausreichender Stabilität möglich gewährt.
- Der Bediener muss die Laufgeschwindigkeit der Bohle während des Betriebs ständig kontrollieren, so dass die Bohle jederzeit angehalten werden kann Zeit.
- Der Bediener muss die Bohle vor dem Verlassen wie in dieser Anleitung beschrieben vollständig ausschalten die Betriebsposition. Außerdem muss der Estrich gegen Unbefugte gesichert werden verwenden.

- Während der Wartungs- und Instandhaltungsarbeiten ist der Motor abzustellen und durch Ziehen des Zündkerzensteckers gegen Wiederstarten zu sichern.
- Der Betreiber hat die Bohle vorher auf Funktion und offensichtliche Mängel zu prüfen verwenden.
- Festgestellte Mängel sind dem Aufsichtspersonal und dem Betreiber zu melden. Nicht Lassen Sie Mängel zurück, die zu schweren Verletzungen führen können Operator.
- Betreiben Sie die Bohle nicht, wenn ein Defekt die Sicherheit des Bedieners bis zum Beheben des Defekts gefährdet wird behoben.
- Der Estrich muss regelmäßig (mindestens einmal im Jahr) von einem Sachverständigen überprüft werden . Und es muss vor der ersten Inbetriebnahme und nach der wesentlichen Inbetriebnahme durch einen Fachmann überprüft werden Änderung.
- Während des Einsatzes muss der Bediener andere Objekte im Umkreis von 20 m im Fall eines Falles überwachen der Beleuchtung.
- Die Bohle erzeugt mechanische Hitze. Berühren Sie daher nicht das Motorgehäuse, den Schalldämpfer oder andere Gegenstände Teile während des Betriebs, die zu Hitzeverbrennungen führen können. Bitte warten Sie, bis es abgekühlt ist berühren.

- Der Bediener muss vor dem Betrieb vollständig mit Sicherheitsausrüstung ausgestattet sein, einschließlich Sturzhelm, Schutzhandschuhen, Sicherheitsschuhen, Schutzbrille und Maske Estrich.
- Transportieren Sie die Bohle nicht mit Kraftstoff im Kraftstofftank am Motor Fahrzeug.
- Heben Sie die Bohle beim Auf- und Absteigen aus dem Fahrzeug nicht von einer Person an. Verwenden Sie zum Bewegen immer einen geeigneten Hebekran. Das Anheben durch eine Person kann aufgrund der Schwere des Geräts zu Verletzungen führen Gewicht.
- Achten Sie darauf, den Estrich für den Transport sicher zu befestigen. Eine unsachgemäße Befestigung, wie z. B. das Festhalten am Griff des Estrichs während des Transports, kann zu Schäden führen Verletzung.
- Hinweis: Schlagen Sie in der Bedienungsanleitung des Motors nach, wenn vor oder während des Betriebs ein Problem oder eine Frage dazu auftritt.

## Montageanleitungen

### Estrichmontage



Richten Sie die Klinge mit der Baugruppe aus.



Bringen Sie Unterlegscheiben, Sicherungsschrauben und Bolzen

an.



Wiederholen Sie Schritt 2 für das zweite Loch.

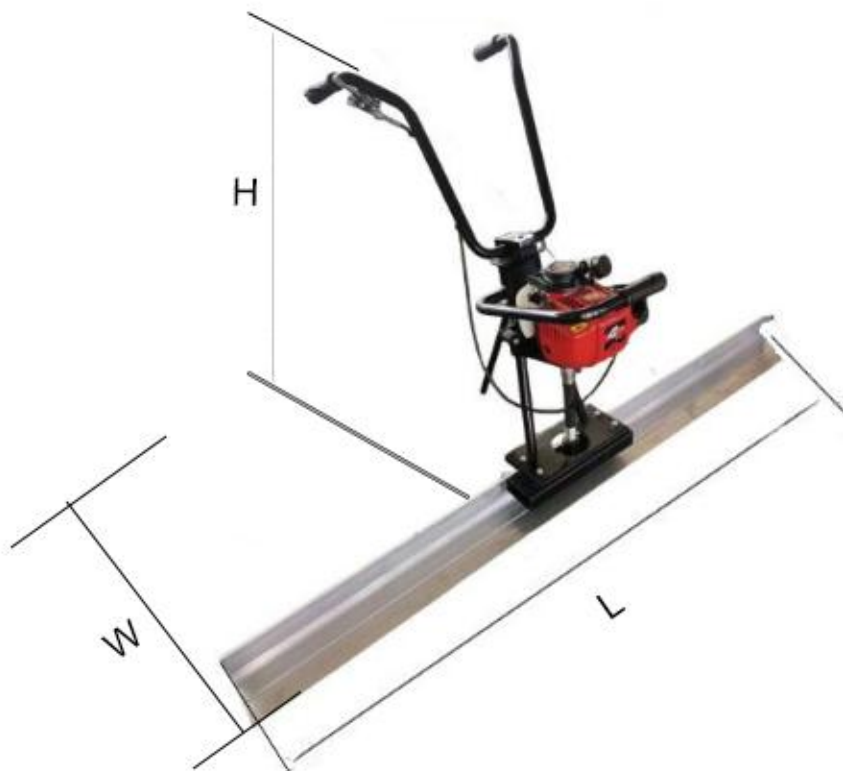
Gaszug am Motor anschließen.



Suchen Sie die Beschleunigerschraube am Motor und führen Sie das Kabel durch den Spalt.

Ziehen Sie es fest und stellen Sie sicher, dass das Kabel beim Ziehen des Gasgriffs in den Motor einrastet.

## Abmessungen



Modell	L(mm)	B(mm)	H(mm)
ZPJ-25A-6	1830	670	730-1060
ZPJ-25A-8	2445	670	730-1060
ZPJ-25A-11	3370	670	730-1060
ZPJ-25A-6/8/11	3370	670	730-1060

## Vor jedem Gebrauch

### Vorbereitung für den Betrieb

- 1) Überprüfen Sie alle Bolzen, Muttern und Bolzen und ziehen Sie alle lockeren fest.
- 2) Ermitteln Sie die gewünschte Estrichlänge Planke.

## **Empfohlen Kraftstoff**

1) Der Bohlenmotor benötigt bleifreies Normalbenzin. Verwenden Sie nur frischen, sauberen Kraftstoff. Kraftstoff Wasser oder Schmutz enthaltende Flüssigkeiten beschädigen das Kraftstoffsystem. Die vollständigen Kraftstoffspezifikationen finden Sie im Benutzerhandbuch des Motors .

## **Vor dem Anlassen des Motors**

- 1) Lesen und verstehen Sie die Sicherheits- und Bedienungsanleitung für das Gerät Motor.
- 2) Überprüfen Sie:
  - Ölstand drin Motor.
  - Kraftstoff Ebene.
  - Zustand der Luft Reiniger.
  - Dichtheit von außen Verbindungselemente.
  - Zustand des Kraftstoffs Linien.
  - Funkenverschleiß Stecker .

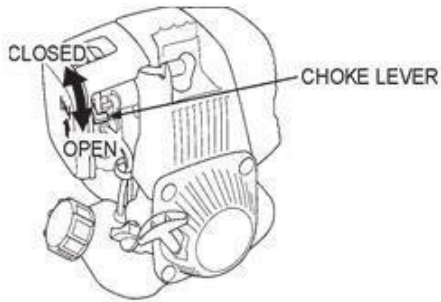
## **Bedienungsanleitung**

### **⚠ WARNING**

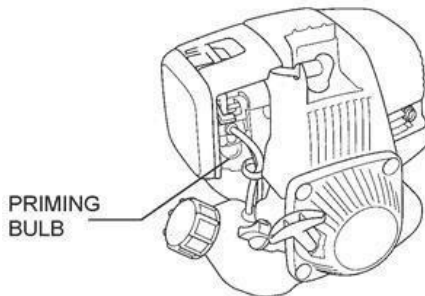
Lesen und verstehen Sie sowohl das Benutzerhandbuch der Bohle (dieses Handbuch) als auch das Motorhandbuch, bevor Sie die Bohle starten oder in Betrieb nehmen, um Fehlbedienungen zu vermeiden, die zu Schäden oder Verletzungen führen können.

## **Starten des Motors**

1. Führen Sie alle Schritte vor jedem Gebrauch durch Schritte.
2. Um einen kalten Motor zu starten, stellen Sie den Chokehebel auf die Position GESCHLOSSEN. Wenn Sie einen warmen Motor neu starten, lassen Sie den Choke-Hebel in der Stellung OFFEN Position.

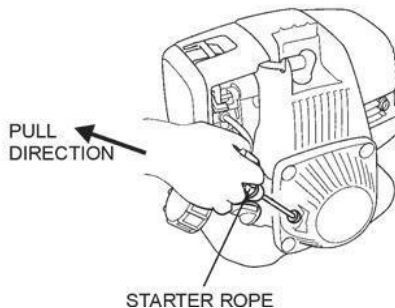


3. Drücken Sie wiederholt auf die Ansaugbirne, bis Kraftstoff im durchsichtigen Kunststoff sichtbar ist Birne.



4. Bewegen Sie den Gashebel leicht in Richtung Pfeil.

5. Ziehen Sie leicht am Starterseil (Abbildung 03), bis Sie einen Widerstand spüren, und ziehen Sie dann kräftig in Richtung Pfeil. Bringen Sie das Starterseil zurück sanft.



6. Sobald der Motor gestartet ist, öffnen Sie den Choke und lassen Sie den Motor 3 bis 5 Minuten lang im Leerlauf laufen sich warm laufen.

## Betrieb

Lesen und verstehen Sie die Bedienungsanleitungen für Motor und Verdichter, bevor Sie den Verdichter starten oder in Betrieb nehmen, um Fehlbedienungen zu vermeiden, die zu Schäden oder Verletzungen führen können.

**Hinweis:** Wann immer hoch Geschwindigkeit Betrieb Ist NICHT erforderlich, langsam Die Motor von ziehen um Die Gaspedal Hebel Zu A niedrige Position Zu speichern Kraftstoff Und verlängern Die Leben von Die Ausrüstung.

1. Sobald der Motor gestartet und warmgelaufen ist, öffnen Sie den Gashebel vollständig in Pfeilrichtung, um den zu betätigen Estrich.
2. Bewegen Sie die Bohle langsam nach hinten und achten Sie auf glatten Beton vor der Bohle Estrich.

## Stoppen des Motors

Schalten Sie in einer Notsituation sofort den Motorschalter aus. Unter normalen Bedingungen darf der Motor nicht abgestellt werden, wenn die Glättbohle mit hoher Geschwindigkeit läuft, da sonst die Motortemperatur plötzlich ansteigt, was möglicherweise zum Blockieren von Motorteilen oder zu einer Verschlechterung des Öls führt.

**Hinweis:** Um den Motor im Notfall abzustellen, drücken Sie einfach den Not-Aus-Schalter am Griff.

## So stoppen Sie den Motor normal:

1. Reduzieren Sie die Motordrehzahl, indem Sie den Gashebel ganz in die entgegengesetzte Pfeilrichtung bewegen und loslassen Lassen Sie den Motor 2–3 Minuten lang im Leerlauf laufen, bevor Sie ihn einschalten aus.
2. Drücken Sie den Not-Aus-Schalter am handhaben.

Weitere detaillierte Informationen finden Sie in der Bedienungsanleitung des Motors.

## Nach jedem Gebrauch

### Sauber hoch

Estrich und Estrichplatte reinigen. Reinigen Sie den Estrich und die Glättbohle mit Wasser, um den gesamten Beton zu entfernen. Achten Sie jedoch darauf, dass der Motor nicht nass wird. Die Estrichplatte kann dünn mit Dieseldieselkraftstoff bestrichen werden, um Rost vorzubeugen und den Beton leichter zu entfernen.

Reinigen Sie die Kühlrippen des Motorzylinders. Ein Besen oder eine alte Bürste sind gute Werkzeuge, um Beton zu entfernen, bevor er fest wird. Weitere Informationen zum Motor finden Sie im Motorhandbuch.

### Lagerung

Bei Lagerung des Estrichs und der Platte über einen längeren Zeitraum (länger als 30 Tage):

- 1) Reinigen Sie den Estrich wie beschrieben über.
- 2) Entfernen Sie die Diele wie hier beschrieben vom Estrich Handbuch.
- 3) Entleeren Sie den Kraftstofftank und lassen Sie den Motor kurz laufen, bis der Kraftstoff im Vergaser vollständig aufgebraucht ist verbraucht
- 4) Wechseln Sie das Motoröl und befolgen Sie die im Motorhandbuch für den Motor beschriebenen Verfahren Lagerung.
- 5) Reinigen oder ersetzen Sie die Motorluft Filter.
- 6) Lagern Sie Estrich und Diele getrennt an einem sauberen, trockenen Ort Bereich.
- 7) Estrich und Platte vollständig trocken abdecken Tuch.

## Wartung

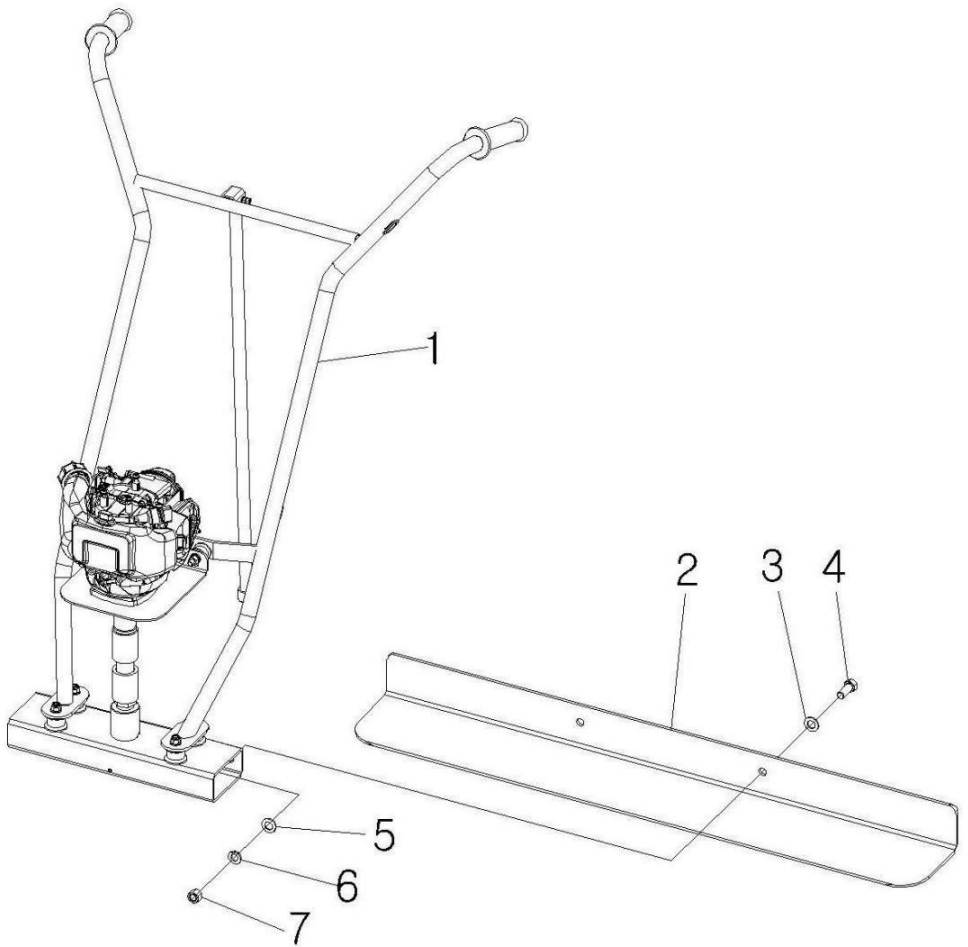
Stellen Sie sicher, dass der Motor des Verdichters ausgeschaltet und abgekühlt ist, bevor Sie Wartungs-, Reinigungs- oder Inspektionsarbeiten durchführen. Die Durchführung von Wartungsarbeiten an einem laufenden Verdichter kann zu Verletzungen führen.

Warten Sie die Bohle, indem Sie ein Programm zur gewissenhaften Reparatur und Wartung gemäß den folgenden empfohlenen Verfahren durchführen: Weitere Informationen zur Motorwartung finden Sie auch in der Bedienungsanleitung des Motorherstellers. Das folgende Diagramm basiert auf einem normalen Betriebsplan.

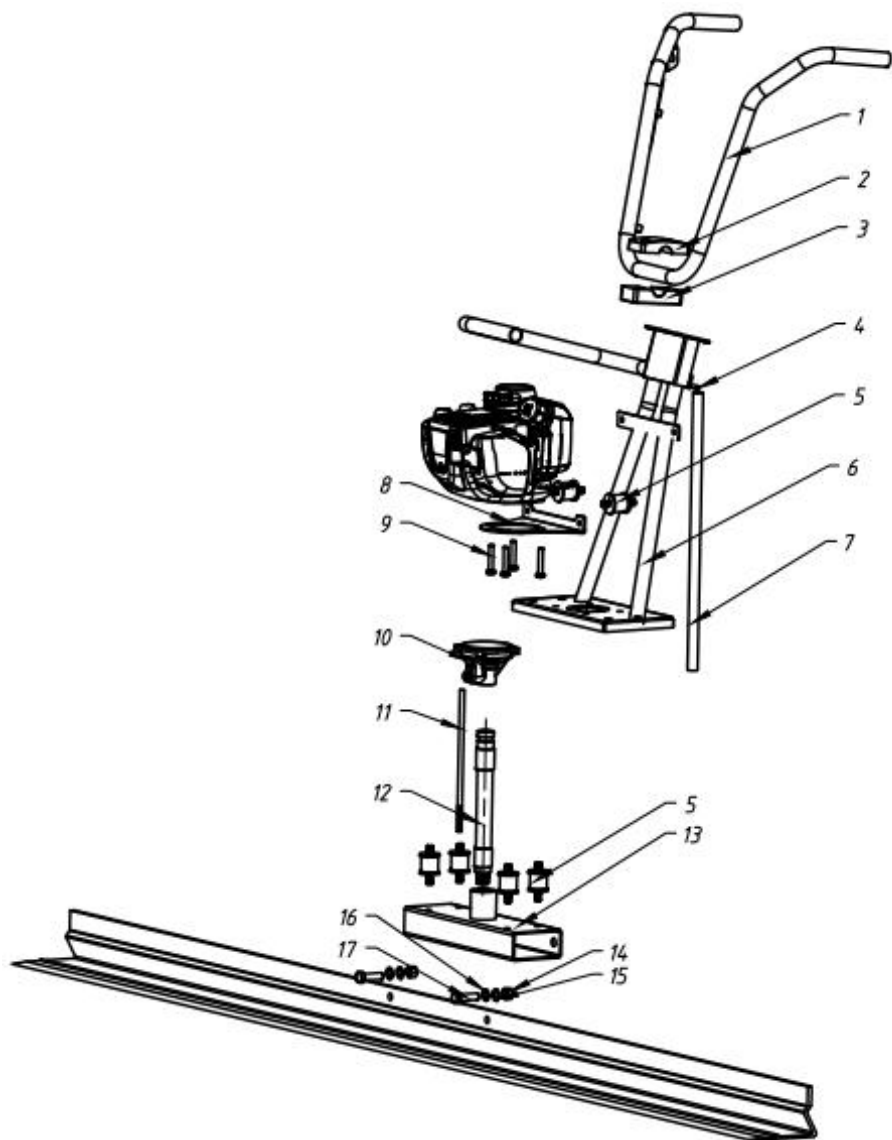
<b>Wartungsintervall</b>	<b>Wartungspunkt</b>
Täglich vor der Operation	Überprüfen Sie den Kraftstoffstand. Überprüfen Sie den Motorölstand. Überprüfen Sie die Kraftstoffleitungen. Überprüfen Sie den Luftfilter und ersetzen Sie ihn bei Bedarf. Überprüfen Sie die externe Hardware und ziehen Sie sie fest.
Nach den ersten 20 Betriebsstunden oder 3 Monaten	Motoröl wechseln.
Nach den ersten 50 Betriebsstunden oder alle 6 Monate	Reinigen Sie das Luftfilterelement. Motoröl wechseln. Überprüfen und reinigen Sie die Zündkerze.
Nach den ersten 100 Betriebsstunden oder alle Jahr	Reinigen Sie das Kraftstoffsieb.
Nach den ersten 200 Betriebsstunden oder alle 2 Jahre	Ventilspiel prüfen und einstellen. Reinigen Sie den Zylinderkopf. Ersetzen Sie die Zündkerze.

NE IN.	Beschreibungen	Größe oder	Menge
			Passendes Modell

		Dimension	ZPJ-2 5A- 6	ZPJ-2 5A-8	ZPJ- 25A- 11	ZPJ-2 5A-6/8 /11
1	Beton Estrichkopf –		1	1	1	1
2	Estrichbrett 6 ft	6 Fuß	1	/	/	1
	Estrichbrett 8 ft	8 Fuß	/	1	/	1
	Estrichbrett 1 1 ft	1 1 Fuß	/	/	1	1
3	Unterlegscheibe	M12	2	2	2	2
4	Bolzen	M12x 4 0	2	2	2	2
5	Unterlegscheibe	M12	2	2	2	2
6	Federscheibe	M12	2	2	2	2
7	Hutmutter	M12	2	2	2	2





## Explosionsdiagramm



NEIN.	Beschreibungen	Menge	Größe oder Dimension
1	Griffschweißbaugruppe	1	ZPJ-25A.2

2	Klemmblock	1	ZPJ-25.9
3	Klemmblock	1	ZPJ-25.10
4	Stiftwelle	1	GB/T882-B6*35
5	Griffstützgummi	6	TVSA-T.18
6	Griffschweißbaugruppe	1	ZPJ-25A.1
7	Griffstützrohr	1	ZPJ-25.12
8	Motorschild	1	ZPJ-25A.3
9	Bolzen	4	GB/T70.1-M6*30-10.9
10	Kupplungsgehäusebaugruppe	1	TVSA-T.15
11	Draht	1	TVSA-T.16
12	Gummischlauch	1	TVSA-T.17
13	Vibrationsgehäusebaugruppe	1	TVSA-T.14
14	Nuss	2	GB/T6170-M12
15	Unterlegscheibe	2	GB/T97.1-φ12
16	Federscheibe	2	GB/T93-φ12
17	Bolzen	2	GB/T5783-M12*40

### Liste der Einzelteile

NEIN.	Name	Bild	Menge
1	Innensechskantschlüssel (S=4)		1
2	Sechskantschlüssel (S=6)		1

3	Steckschlüssel		
4	Mehrzweckschlüssel (S=18)		2
5	Sechskantschraubensatz (M12*40)		2
6	Handbuch		1
7	Emissionserklärung		1

## Fehlerbehebung

Bitte überprüfen Sie die folgende Liste, bevor Sie die Probleme an das Wartungspersonal, einschließlich des örtlichen Händlers, wenden. Und wenn das Problem nach der unten beschriebenen Fehlerbehebung weiterhin besteht, rufen Sie Ihren Händler vor Ort an, um künftig Hilfe zu erhalten.

Versagen	Mögliche Ursache	Abhilfemaßnahme
Die Vibrationen sind unzureichend und der Betonboden kann daher nicht richtig eingeebnet und geglättet werden.	Die Zentrifugalkraft ist zu gering.	Motordrehzahl erhöhen.
	Entlang der Vorderkante des Bretts befindet sich übermäßig viel Beton.	Entfernen Sie den überschüssigen Beton von der Platte.

	Die gewählte Breite des Boards ist zu groß	Arbeiten Sie mit einem kleineren Brett.
Beton sieht „Wellig“ aus, wenn die Estrichplatte darüber läuft	Der Bediener bewegt sich zu langsam	Gehen Sie schneller rückwärts.
	Zu viel Vibration für die Betonsorte	Reduzieren Sie die Motorgeschwindigkeit und gehen Sie schneller rückwärts.
Beim Nassestrich entstehen HOHE oder NIEDRIGE Stellen.	Beton auf einer Seite zu hoch oder zu niedrig?	Lassen Sie die Arbeiter den Beton so nah wie möglich an der Güteklasse formen. Halten Sie immer etwa 2,5 cm Beton auf der Vorderseite des Bretts.
Brett gräbt sich in nassen Beton.	Ist die Platine richtig positioniert?	Jedes Ende des Boards muss auf der gleichen Oberfläche liegen. Entweder liegt jedes Ende der Diele auf Schalungen oder auf Beton (Nassestrich), nicht auf beidem.

**Hersteller:** Shanghaimuxinmuyeyouxiangongsi

**Adresse:** Baoshanqu Shuangchenglu 803long 11hao 1602A-1609shi  
Shanghai

**Importiert nach AUS:** SIHAO PTY LTD.1 ROKEVA STREETEASTWOOD  
NSW 2122 Australien

**In die USA importiert:** Sanven Technology Ltd. Suite 250, 9166 Anaheim  
Place, Rancho Cucamonga, CA 91730

**EC REP:** SHUNSHUN GmbH.

Römeräcker 9 Z2021,76351 Linkenheim-Hochstetten, Deutschland

Tel: +49 1727041930 euvertreter@gmail.com

**UK REP:** Pooledas Group Ltd

Einheit 5 Albert Edward House, The Pavilions Preston, Vereinigtes  
Königreich

Tel: 01772418127 pooledas123@gmail.com

**In China hergestellt**





**VEVOR<sup>®</sup>**

**TOUGH TOOLS, HALF PRICE**

**Technisch Support- und E-Garantiezertifikat**

**[www.vevor.com/support](http://www.vevor.com/support)**

# **VEVOR<sup>®</sup>**

**TOUGH TOOLS, HALF PRICE**

Tecnico Supporto e certificato di garanzia elettronica [www.vevor.com/support](http://www.vevor.com/support)

## **MASSETTO IN CEMENTO**

**MODELLO: ZPJ-25A-6、ZPJ-25A-8、ZPJ-25A-11  
ZPJ-25A-6/8/11**

We continue to be committed to provide you tools with competitive price.

"Save Half", "Half Price" or any other similar expressions used by us only represents an estimate of savings you might benefit from buying certain tools with us compared to the major top brands and does not necessarily mean to cover all categories of tools offered by us. You are kindly reminded to verify carefully when you are placing an order with us if you are actually saving half in comparison with the top major brands.





# VEVOR®

TOUGH TOOLS, HALF PRICE

## CONCRETE SCREED

MODELLO:MODELLO: ZPJ-25A-6、ZPJ-25A-8、ZPJ-25A-11  
ZPJ-25A-6/8/11



### NEED HELP? CONTACT US!

Have product questions? Need technical support? Please feel free to contact us:

**Technical Support and E-Warranty Certificate**  
**[www.vevor.com/support](http://www.vevor.com/support)**

This is the original instruction, please read all manual instructions carefully before operating. VEVOR reserves a clear interpretation of our user manual. The appearance of the product shall be subject to the product you received. Please forgive us that we won't inform you again if there are any technology or software updates on our product.

# TUTELA IMPORTANTE



**AVVERTENZA:** leggere e comprendere l'intero manuale prima di utilizzare o sottoporre a manutenzione questo prodotto. La mancata osservanza di queste avvertenze e istruzioni può causare lesioni personali o danni a beni di

valore.

## Uso previsto

Questo massetto utilizza le vibrazioni attraverso un pannello del massetto per incorporare l'aggregato e ridurre i vuoti d'aria nel calcestruzzo, rendendo le lastre più resistenti. Può essere utilizzato con tavole di varie lunghezze, tra cui 6 piedi, 8 piedi, 10 piedi, 12 piedi e 14 piedi, su pavimenti in lastre, strade, marciapiedi o parcheggi. Le schede di ricambio e le schede di altre lunghezze sono vendute separatamente: consultare la pagina delle specifiche tecniche per i codici.

Fonte di potere. Il massetto è alimentato da un motore a benzina.

Forniture necessarie. Il normale funzionamento richiederà di fornire:

- Benzina
- Motore olio
- Dispositivi di protezione individuale

Per ulteriori dettagli, consultare la sezione "Specifiche" di questo manuale o il Manuale del motore.

## Specifiche tecniche

### Testa del massetto

<b>Modello</b>	ZPJ-25A
<b>Motore</b>	140FA
<b>Guidare _ sistema</b>	Albero flessibile
<b>Peso _</b>	18 kg
<b>Tipo</b>	4 tempi, albero a camme, 1 cilindro
<b>Dislocamento</b>	37,7 cc

- Le avvertenze, le precauzioni e le istruzioni contenute nel presente manuale non possono coprire tutte le possibili condizioni o situazioni che potrebbero verificarsi. Usare buon senso e cautela quando si utilizza questo strumento. Sempre essere consapevoli dell'ambiente e garantire che lo strumento venga utilizzato in modo sicuro e responsabile maniera.
- NON consentire alle persone di montare o utilizzare questo prodotto prima di aver letto questo manuale e hanno sviluppato una conoscenza approfondita del funzionamento del prodotto lavori.
- Utilizza lo strumento giusto per il lavoro. NON tentare di forzare le piccole apparecchiature a svolgere il lavoro di apparecchiature industriali più grandi. Ci sono alcune applicazioni per le quali questa apparecchiatura è stata progettata. Esso svolgerà il lavoro meglio e in modo più sicuro alla capacità per la quale è stato previsto. NON utilizzare questa apparecchiatura per uno scopo per il quale non è stata utilizzata destinato.
- Le applicazioni industriali o commerciali devono seguire l'OSHA requisiti.

## **▲ WARNING**

- Parte della polvere creata dalla levigatura, segatura, molatura, perforazione e altre attività di costruzione contiene sostanze chimiche note allo Stato della California come causa di cancro, difetti congeniti o altri danni riproduttivi. Alcuni esempi di queste sostanze chimiche Sono:
  - piombo da vernici a base di piombo,
  - silice cristallina da mattoni, cemento e altri prodotti per muratura, e
  - arsenico e cromo da sostanze chimiche trattato legname.
 Il rischio derivante da queste esposizioni varia a seconda della frequenza con cui svolgi questo tipo di lavoro. Per ridurre l'esposizione a queste sostanze chimiche , lavorare in un'area ben ventilata e lavorare con attrezzature di sicurezza approvate, come maschere antipolvere appositamente progettate per filtrare le particelle microscopiche .
- La manipolazione del cavo di alimentazione su prodotti con cavo può esporre al piombo, una sostanza chimica nota nello Stato della California per causare cancro e difetti congeniti o altri danni riproduttivi. Lavarsi le mani dopo gestione .

## **⚠ WARNING**

### **SICUREZZA SULL'AREA DI LAVORO**

- Ispezionare l'area di lavoro prima di ogni utilizzo. Mantenere l'area di lavoro pulita, asciutta, priva di disordine e ben illuminata . Aree di lavoro disordinate, bagnate o buie possono causare infortunio.
- Non utilizzare il Massetto dove esiste il rischio di provocare un incendio o un'esplosione; ad esempio, nel presenza di liquidi, gas o polvere.
- Non permettere che l'utensile entri in contatto con una fonte elettrica. Lo strumento non è isolato , e il contatto causerà elettricità shock.
- Tenere i bambini e gli astanti lontani dall'area di lavoro durante l'utilizzo del rasatore. Non consentire ai bambini di maneggiare il Massetto.

• Fare attenzione a tutte le linee elettriche, circuiti elettrici, tubazioni dell'acqua e altri pericoli meccanici presenti all'interno la tua zona di lavoro Alcuni di questi pericoli potrebbero essere nascosti alla vista e potrebbero causare lesioni personali e/o danni materiali contattato.

## **⚠ WARNING**

### **SICUREZZA PERSONALE**

- Rimanere vigili, osservare ciò che si sta facendo e usare il buon senso durante l'utilizzo del rasatore. Fare non utilizzare il massetto quando si è stanchi o sotto l'effetto di droghe, alcol o farmaco.
- Vestiti adeguatamente. Non indossare abiti larghi, oggetti penzolanti o gioielli. Tenere i capelli, gli indumenti e i guanti lontani dalle parti in movimento. Abiti larghi, gioielli o capelli lunghi potrebbero rimanere impigliati parti mobili.
- Utilizzare occhiali di sicurezza approvati ANSI Z87.1 o occhiali di sicurezza con protezioni laterali o, se necessario, uno schermo facciale. Utilizzare una maschera antipolvere in condizioni di lavoro polverose. Utilizzare anche scarpe antinfortunistiche antiscivolo e dure cappelli , guanti, sistemi di raccolta della polvere e protezioni per l'udito, se del caso.

Questo vale per tutte le persone coinvolte nel lavoro la zona.

- Non esagerare. Mantenere il giusto equilibrio e il giusto equilibrio volte.
- Rimuovere le chiavi o le chiavi inglesi prima di avviare il rasatore. Una chiave inglese o una chiave che sia lasciati attaccati ad una parte rotante del rasatore possono causare danni personali infortunio.
- Non fumare, fiammiferi o fiamme libere intorno alla macchina. Il carburante è infiammabile.
- Non toccare caldo superfici.
- Motore scarico contiene carbonio monossido. Questo È UN avvelenarti Potere non Vedere O odore. MAI utilizzo .

## **USO E CURA DEL MASSETTO**

- Non forzare il rasatore ad eseguire un'operazione diversa dall'uso previsto. I massetti svolgono un lavoro migliore e più sicuro se utilizzati nel modo per cui sono stati progettati. Pianifica il tuo lavoro e utilizzalo il massetto corretto per il lavoro.
- Verificare la presenza di parti danneggiate prima di ogni utilizzo. Controllare attentamente che il rasatore funzioni correttamente e svolgere la funzione prevista. Sostituire immediatamente le parti danneggiate o usurate. Non utilizzare mai il banco con la superficie danneggiata parte.
- Conservare il massetto quando non è in uso. Conservarlo in un luogo asciutto e sicuro, fuori dalla portata dei bambini. Ispezionare il massetto per verificarne le buone condizioni di funzionamento prima dello stoccaggio e prima riutilizzare . \_
- Utilizzare solo gli accessori consigliati dal produttore per l'uso con il massetto. Gli accessori che potrebbero essere adatti a un massetto possono creare un rischio di lesioni se utilizzati con un altro massetto.
- Mantenere le guardie sul posto e in funzione ordine.
- Conservare il pannello del massetto pulito.
- Non lasciare il massetto in funzione incustodito.
- Chiudere la valvola del carburante quando il motore non è acceso utilizzo.
- Utilizzare solo il carburante consigliato per evitare di danneggiare il

attrezzatura.

- L'olio non viene fornito con la macchina. Aggiungere olio al motore prima del primo utilizzo.
- Controllare i livelli dell'olio prima di utilizzare il macchina.
- NON rifornire il motore mentre è ancora caldo. Il carburante è infiammabile.
- NON effettuare la manutenzione del motore mentre è fermo caldo.

## **Avvertenze operative specifiche**

### **Per evitare incidenti mortali**

- Spegnere il motore prima del rifornimento e fare attenzione a non versare carburante durante il rifornimento. Rovesciato il carburante potrebbe incendiarsi provocando un incendio.
- Non rifornire il motore vicino a oggetti infiammabili per evitare fuoco.
- Non far funzionare il motore in aree chiuse per prevenire il monossido di carbonio avvelenamento.

### **Per proteggere l'operatore**

- In caso di affaticamento dovuto al funzionamento, l'operatore deve fermare la macchina e riprenderla rottura.
- È necessaria una protezione per l'udito poiché questa macchina crea un'emissione di rumore a 1 m (3 piedi) di distanza dall'apparecchio attrezzatura.

### **Per evitare lesioni o danni**

- I compattatori a piastre vengono utilizzati solo da persone autorizzate  
Chi:
  - hanno almeno 18 anni età.
  - sono fisicamente e mentalmente in grado di utilizzare il massetto.
  - siano adeguatamente addestrati al funzionamento e alla manutenzione del massetto da parte del proprietario o è autorizzato rappresentante.
  - sono valutati in grado di svolgere i loro compiti in modo affidabile.
  - Non è consentito operare a persone che bevono bevande alcoliche e /o

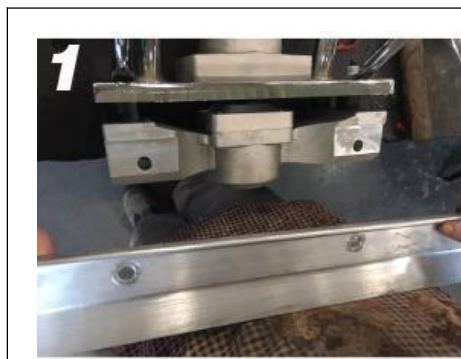
assumono droghe il piatto compattatore.

- Le persone non sono autorizzate ad entrare nella zona pericolosa del massetto.
- L'operatore deve monitorare costantemente la zona pericolosa. Non è consentito operare se presente una persona in pericolo zona.
- L'operatore deve fornire segnali di avvertimento in caso di emergenza situazione.
- Il banco può essere azionato solo se dispone di una stabilità sufficiente concesso.
- L'operatore deve controllare costantemente la velocità di funzionamento del rasatore durante il suo funzionamento in modo che il rasatore possa essere arrestato in qualsiasi momento. tempo.
- L'operatore deve spegnere completamente il rasatore come descritto nel presente manuale prima di allontanarsi la posizione operativa. Inoltre, il massetto deve essere protetto da persone non autorizzate utilizzo.
- Durante la manutenzione il motore deve essere spento e assicurato contro la riaccensione estraendo la presa della candela manutenzione.
- L'operatore deve prima controllare il banco per quanto riguarda il funzionamento ed i difetti evidenti utilizzo.
- I difetti rilevati devono essere segnalati al personale addetto alla supervisione e all'operatore. Non lasciare difetti che potrebbero causare gravi lesioni al operatore.
- Non azionare il rasatore quando un difetto mette in pericolo la sicurezza dell'operatore fino al difetto viene rettificato.
- Il massetto deve essere controllato regolarmente (almeno una volta all'anno) da un esperto . E deve essere controllato da un esperto prima del primo utilizzo e dopo l'essenziale modifica.
- Durante l'operazione, l'operatore deve eventualmente monitorare altri oggetti entro un raggio di 20 m di illuminazione.
- Il massetto genera calore meccanico quindi non toccare il corpo del motore, marmitta o altro parti durante il funzionamento, che potrebbero causare ustioni da calore. Si prega di attendere finché non si raffredda tocco.

- L'operatore deve essere completamente equipaggiato con l'equipaggiamento di sicurezza compreso un casco, guanti di sicurezza, scarpe di sicurezza, occhiali di sicurezza e maschera prima di utilizzare il massetto.
- Non trasportare il rasatore con carburante nel serbatoio vicino al motore veicolo.
- Non far sollevare il rasatore da una persona durante la salita e la discesa dal veicolo. Per lo spostamento utilizzare sempre una gru di sollevamento adeguata. Il sollevamento da parte di persone può causare lesioni personali a causa del suo peso.
- Assicurarsi di fissare saldamente il massetto per il trasporto. Un fissaggio improprio, come tenere la maniglia del rasatore durante il trasporto, può causare un infortunio.
- Nota: fare riferimento al manuale di istruzioni del motore se si verifica un problema o una domanda al riguardo prima o durante il suo funzionamento.

## Istruzioni di montaggio

### Montaggio del massetto



Allineare la lama con il gruppo.



Collegare rondelle, viti di

bloccaggio e bulloni.



Ripetere il passaggio 2 per il secondo foro.



Collegare il cavo dell'acceleratore al motore.

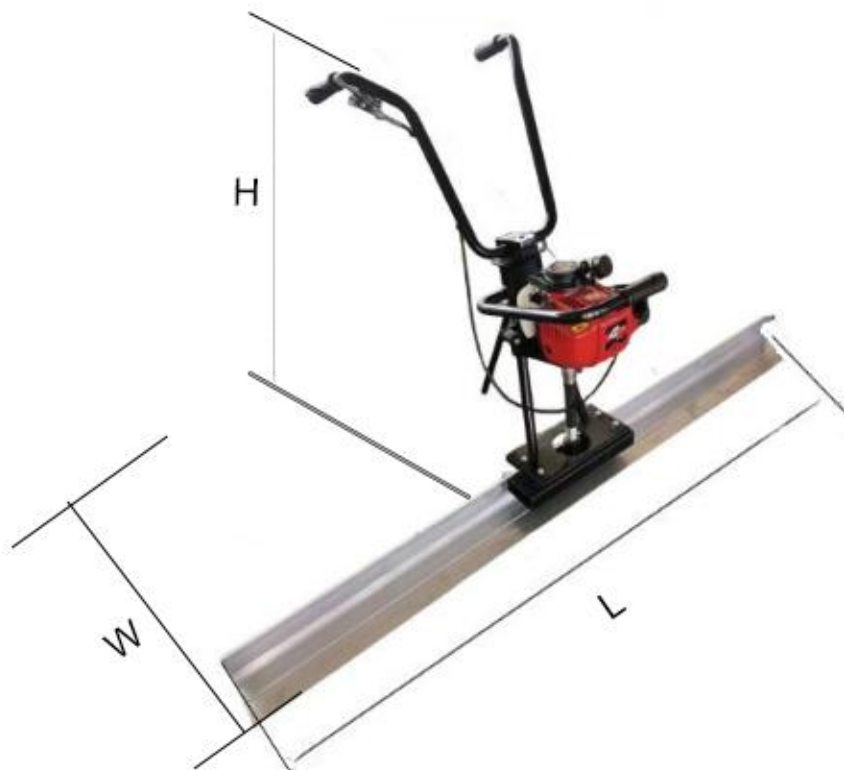


Individuare la vite dell'acceleratore che si trova sul motore e posizionare il cavo attraverso lo spazio vuoto.



Stringere e assicurarsi che quando si tira la maniglia dell'acceleratore, il cavo avvii il motore.

## Dimensione



Modello	L(mm)	L(mm)	H(mm)
ZPJ-25A-6	1830	670	730-1060
ZPJ-25A-8	2445	670	730-1060
ZPJ-25A-11	3370	670	730-1060
ZPJ-25A-6/8/11	3370	670	730-1060

## Prima di ogni utilizzo

### Preparazione per l'operazione

- 1) Controllare tutti i bulloni, i dadi e i bulloni e serrare quelli allentati.
- 2) Ottenere la lunghezza desiderata del massetto asse.

## **Consigliato Carburante**

1) Il motore del rasatore funziona con benzina normale senza piombo. Utilizzare solo carburante fresco e pulito. Carburante contenenti acqua o sporco danneggeranno il sistema di alimentazione. Consultare il manuale del proprietario del motore per le specifiche complete del carburante .

## **Prima di avviare il motore**

1) Leggere e comprendere il manuale delle istruzioni di sicurezza e di funzionamento del motore.

2) Controllare:

- Livello dell'olio dentro motore.
- Carburante livello.
- Condizione dell'aria più pulito.
- Tenuta dell'esterno elementi di fissaggio.
- Condizioni del carburante linee.
- Usura della scintilla tappo .

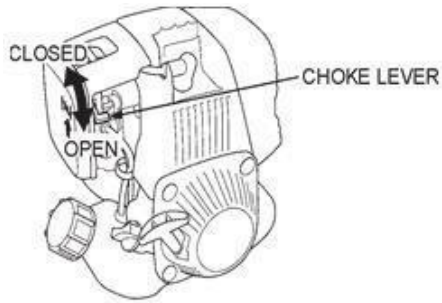
## **Istruzioni per l'uso**

### **⚠ WARNING**

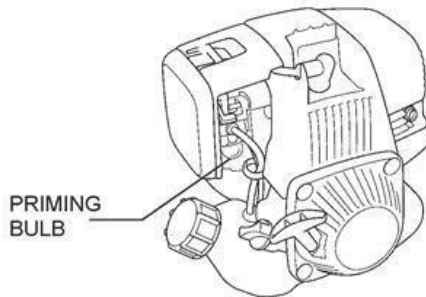
Leggere e comprendere sia il manuale dell'utente del rasatore (questo manuale) che il manuale del motore prima di avviare o utilizzare il rasatore per evitare operazioni errate che potrebbero causare danni o lesioni.

## **Avvio del motore**

1. Eseguire tutte le operazioni prima di ogni utilizzo passi.
2. Per avviare un motore freddo, spostare la leva dell'aria in posizione CHIUSA. Se si riavvia un motore caldo, lasciare la leva dell'aria in posizione APERTA posizione.

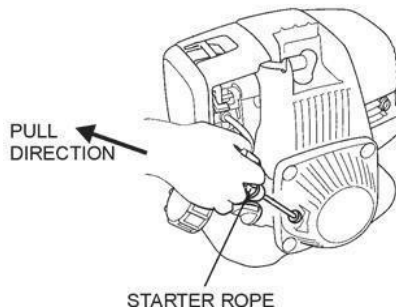


3. Premere ripetutamente il bulbo di adescamento finché non si vede il carburante all'interno della plastica trasparente lampadina.



4. Spostare leggermente la leva dell'acceleratore nella direzione di freccia.

5. Tirare leggermente la fune di avviamento (Figura 03) finché non si avverte resistenza, quindi tirare energicamente nella direzione freccia. Restituire la fune di avviamento delicatamente.



6. Una volta avviato il motore, aprire lo starter e lasciare girare il motore al minimo per 3-5 minuti riscaldamento.

## Operazione

Leggere e comprendere i manuali utente del motore e del compattatore prima di avviare o utilizzare il compattatore per evitare operazioni errate che potrebbero causare danni o lesioni.

**Nota:** quando mai alto velocità operazione È NON necessario, lento IL motore di in movimento IL acceleratore leva A UN posizione bassa A salva carburante E estendere IL vita Di IL attrezzatura.

1. Una volta avviato e riscaldato il motore, aprire completamente l'acceleratore nella direzione della freccia per azionare massetto.
2. Spostare lentamente il massetto all'indietro verificando la presenza di cemento liscio davanti al massetto.

## Arresto del motore

In una situazione di emergenza, spegnere immediatamente l'interruttore del motore. In condizioni normali, non arrestare il motore quando il rasatore gira ad alta velocità altrimenti la temperatura del motore aumenta improvvisamente, causando l'inceppamento dei componenti del motore o il deterioramento dell'olio.

**Nota:** per arrestare il motore in caso di emergenza, premere semplicemente l'interruttore di arresto di emergenza sulla maniglia.

## Per arrestare normalmente il motore:

1. Ridurre la velocità del motore spostando completamente l'acceleratore nella direzione opposta alla freccia e lasciare andare tenere il motore al minimo per 2 - 3 minuti prima di girarlo spento.
  2. Premere l'interruttore di arresto di emergenza sul maniglia.
- Per ulteriori informazioni dettagliate consultare il manuale di istruzioni del motore.

## Dopo ogni utilizzo

## **Pulito su**

Pulire il massetto e la tavola del massetto. Pulire il massetto e la relativa tavola con acqua per rimuovere tutto il cemento, facendo attenzione però che il motore non si bagni. Il rasatore può essere rivestito in uno strato sottile di gasolio per prevenire la ruggine e rimuovere più facilmente il cemento.

Pulire le alette di raffreddamento del cilindro del motore. Una scopa o una vecchia spazzola sono ottimi strumenti per rimuovere il cemento prima che diventi solido.

Fare riferimento al manuale del motore per ulteriori informazioni sul motore.

## **Magazzinaggio**

In caso di stoccaggio del massetto e del pannello per un lungo periodo (superiore a 30 giorni):

- 1) Pulire il massetto come descritto Sopra.
- 2) Rimuovere il pannello dal massetto come descritto in questa Manuale.
- 3) Scaricare il serbatoio del carburante e far funzionare brevemente il motore fino a quando il carburante nel carburatore non sarà completamente vuoto consumato
- 4) Cambiare l'olio motore e seguire le procedure descritte nel manuale del motore magazzinaggio.
- 5) Pulire o sostituire l'aria del motore filtro.
- 6) Conservare il massetto e il pannello separatamente in un luogo pulito e asciutto la zona.
- 7) Coprire completamente il massetto e il tavolato con materiale asciutto stoffa.

## **Manutenzione**

Controllare che il motore del compattatore sia spento e raffreddato prima di tentare qualsiasi operazione di manutenzione, pulizia o ispezione.

L'esecuzione della manutenzione su un compattatore in funzione può

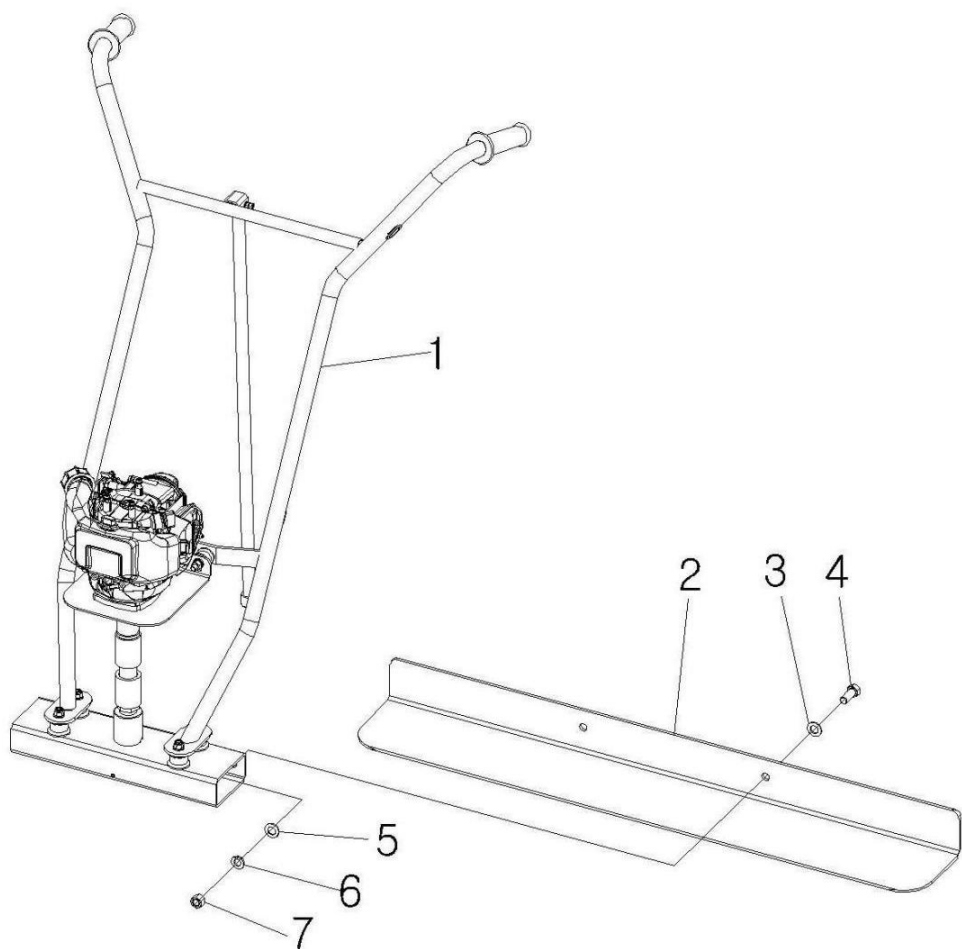
causare lesioni.

Mantenere il rasatore adottando un programma di riparazione e manutenzione coscienzioso in conformità con le seguenti procedure consigliate: Fare inoltre riferimento al manuale di istruzioni del produttore del motore per ulteriori informazioni sulla manutenzione del motore. Il seguente grafico si basa su un normale programma di funzionamento.

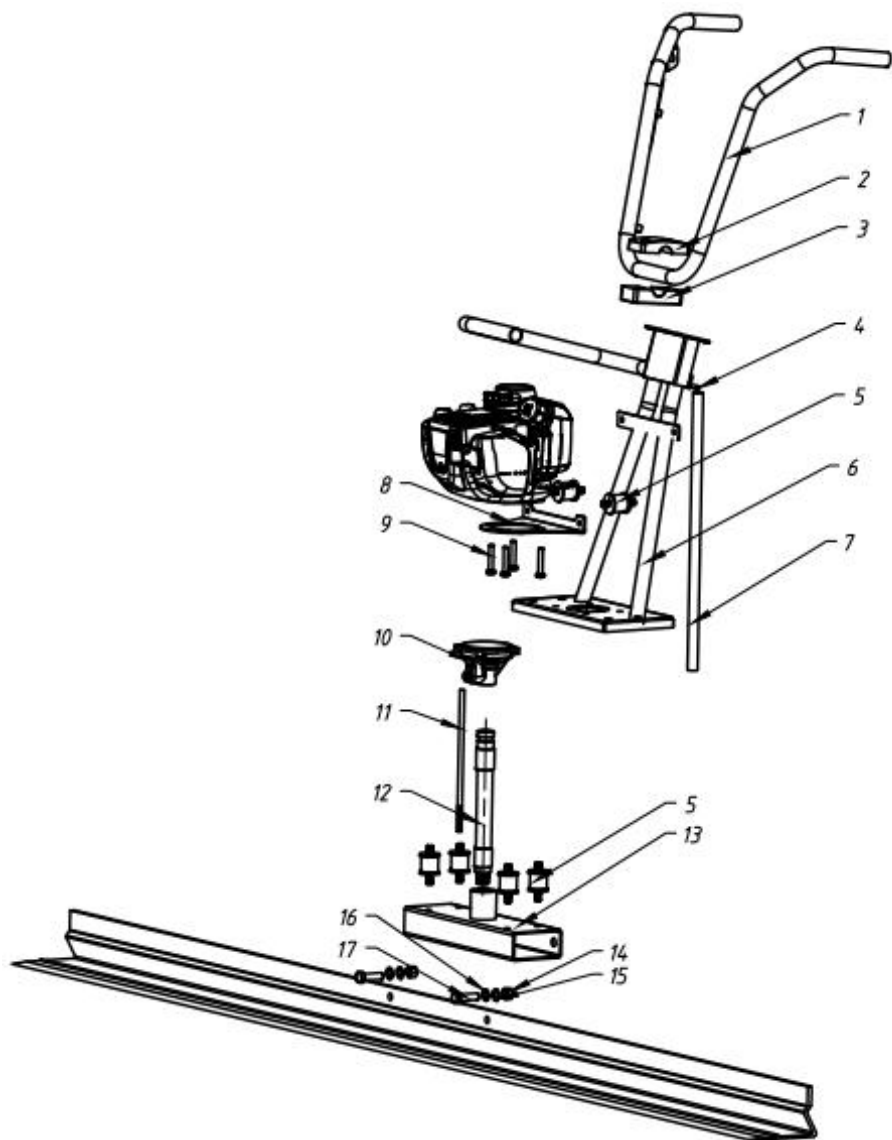
<b>Intervallo di manutenzione</b>	<b>Punto di manutenzione</b>
Tutti i giorni prima dell'operazione	Controllare il livello del carburante. Controllare il livello dell'olio motore. Ispezionare le tubazioni del carburante. Ispezionare il filtro dell'aria e sostituirlo se necessario. Controllare e serrare l'hardware esterno.
Dopo le prime 20 ore di funzionamento o 3 mesi	Cambiare l'olio motore.
Dopo le prime 50 ore di funzionamento oppure ogni 6 mesi	Pulire l'elemento del filtro dell'aria. Cambiare l'olio motore. Controllare e pulire la candela.
Dopo le prime 100 ore di funzionamento oppure ogni anno	Pulisci il filtro del carburante.
Dopo le prime 200 ore di funzionamento oppure ogni 2 anni	Controllare e regolare il gioco delle valvole. Pulire la testata. Sostituire la candela.

NO	Descrizioni	Taglia o Dimension	Qtà
			Modello adatto
.			

		e	ZPJ-2 5A- 6	ZPJ-2 5A-8	ZPJ- 25A- 11	ZPJ-2 5A-6/8 /11
1	Calcestruzzo Testa del massetto		1	1	1	1
2	Massetto 6 piedi	6 piedi	1	/	/	1
	Massetto 8 piedi	8 piedi	/	1	/	1
	Massetto 1 1 piedi	1 1 piedi	/	/	1	1
3	Semplice lavatrice	M12	2	2	2	2
4	Bullone	M12x40 _ _	2	2	2	2
5	Semplice lavatrice	M12	2	2	2	2
6	Rondella elastica	M12	2	2	2	2
7	Dado cieco	M12	2	2	2	2



**Diagramma di esplosione**



NO.	Descrizioni	Qtà	Taglia o Dimensione
1	Gestire il gruppo di saldatura	1	ZPJ-25A.2
2	Blocco di bloccaggio	1	ZPJ-25.9

3	Blocco di bloccaggio	1	ZPJ-25.10
4	Albero del perno	1	GB/T882-B6*35
5	Supporto Maniglia In Gomma	6	TVSA-T.18
6	Gestire il gruppo di saldatura	1	ZPJ-25A.1
7	Tubo di supporto della maniglia	1	ZPJ-25.12
8	Targa motore	1	ZPJ-25A.3
9	Bullone	4	GB/T70.1-M6*30-10.9
10	Gruppo alloggiamento frizione	1	TVSA-T.15
11	Filo	1	TVSA-T.16
12	Tubo in gomma	1	TVSA-T.17
13	Gruppo alloggiamento vibrante	1	TVSA-T.14
14	Noce	2	GB/T6170-M12
15	Semplice lavatrice	2	GB/T97.1-φ12
16	Rondella elastica	2	GB/T93-φ12
17	Bullone	2	GB/T5783-M12*40

## Elenco delle parti

NO.	Nome	Immagine	Qtà
1	Chiave esagonale (S=4)	A black hex key with a 4mm width across flats.	1
2	Chiave esagonale (S=6)	A black hex key with a 6mm width across flats.	1
3	Chiave a tubo	A silver-colored metal tube key with a hole at one end.	

4	Chiave universale (S=18)		2
5	viti a testa esagonale (M12*40)		2
6	Manuale		1
7	Dichiarazione sulle emissioni		1

## Risoluzione dei problemi

Si prega di controllare l'elenco seguente prima di indirizzare i problemi al personale di assistenza, compreso il rivenditore locale. E se il problema persiste dopo la risoluzione dei problemi come descritto di seguito, chiama il tuo rivenditore locale per assistenza futura.

Fallimento	Causa possibile	Misura correttiva
Vibra in modo insufficiente e di conseguenza il pavimento in cemento non può essere livellato e levigato in modo corretto.	La forza centrifuga è troppo bassa.	Aumentare la velocità del motore.
	C'è una quantità eccessiva di cemento lungo il bordo anteriore della tavola.	Rimuovere il cemento in eccesso dal pannello.
	La larghezza scelta della tavola è troppo grande	Lavora con una tavola più piccola.

Il calcestruzzo appare "ONDULATO" al passaggio del rasatore	L'operatore si muove troppo lentamente	Cammina all'indietro a un ritmo più veloce.
	Troppe vibrazioni per il tipo di calcestruzzo	Ridurre la velocità del motore e camminare all'indietro a un ritmo più veloce.
Lasciare punti ALTI o BASSI durante la rasatura a umido.	Calcestruzzo troppo alto o basso su un lato?	Chiedi ai lavoratori di modellare il calcestruzzo il più vicino possibile alla pendenza. Mantenere sempre circa 1 pollice di cemento sulla parte anteriore della tavola.
La tavola affonda nel cemento bagnato.	La scheda è posizionata correttamente?	Ciascuna estremità della tavola deve poggiare sulla stessa superficie. Ciascuna estremità della tavola poggia su forme o cemento (massetto bagnato), non su entrambi.

**Produttore:** Shanghaimuxinmuyeyouxiangongsi

**Indirizzo:** Baoshanqu Shuangchenglu 803long 11hao 1602A-1609shi  
Shanghai

**Importato in AUS:** SIHAO PTY LTD.1 ROKEVA STREETEASTWOOD  
NSW 2122 Australia

**Importato negli Stati Uniti:** Sanven Technology Ltd. Suite 250, 9166  
Anaheim Place, Rancho Cucamonga, CA 91730

**RAPPRESENTANTE CE:** SHUNSHUN GmbH.

Römeräcker 9 Z2021,76351 Linkenheim-Hochstetten, Germania

Tel: +49 1727041930 euvertreter@gmail.com

**REP. DEL REGNO UNITO:** Pooledas Group Ltd

Unità 5 Albert Edward House, The Pavilions Preston, Regno Unito

Tel: 01772418127 pooledas123@gmail.com

**Made in China**





**VEVOR**<sup>®</sup>

**TOUGH TOOLS, HALF PRICE**

**Tecnico Supporto e certificato di garanzia elettronica**

**[www.vevor.com/support](http://www.vevor.com/support)**

# **VEVOR<sup>®</sup>**

**TOUGH TOOLS, HALF PRICE**

Técnico Soporte y certificado de garantía electrónica [www.vevor.com/support](http://www.vevor.com/support)

## **SOLERA DE HORMIGÓN**

**MODELO: ZPJ-25A-6、ZPJ-25A-8、ZPJ-25A-11  
ZPJ-25A-6/8/11**

We continue to be committed to provide you tools with competitive price.

"Save Half", "Half Price" or any other similar expressions used by us only represents an estimate of savings you might benefit from buying certain tools with us compared to the major top brands and does not necessarily mean to cover all categories of tools offered by us. You are kindly reminded to verify carefully when you are placing an order with us if you are actually saving half in comparison with the top major brands.





# VEVOR®

TOUGH TOOLS, HALF PRICE

## CONCRETE SCREED

MODELO: MODELO: ZPJ-25A-6、ZPJ-25A-8、ZPJ-25A-11  
ZPJ-25A-6/8/11



### NEED HELP? CONTACT US!

Have product questions? Need technical support? Please feel free to contact us:

**Technical Support and E-Warranty Certificate**  
[www.vevor.com/support](http://www.vevor.com/support)

This is the original instruction, please read all manual instructions carefully before operating. VEVOR reserves a clear interpretation of our user manual. The appearance of the product shall be subject to the product you received. Please forgive us that we won't inform you again if there are any technology or software updates on our product.

# CONSIDERACIONES IMPORTANTES



**ADVERTENCIA:** Lea y comprenda este manual completo antes de operar o reparar este producto. El incumplimiento de estas advertencias e instrucciones puede provocar lesiones personales o daños a bienes valiosos.

## Uso previsto

Esta regla utiliza la vibración a través de una tabla de nivelar para incrustar agregados y reducir los huecos de aire en el concreto, lo que fortalece las losas. Se puede utilizar con una variedad de longitudes de tablas, incluidas 6 pies, 8 pies, 10 pies, 12 pies y 14 pies, en pisos de losa, carreteras, pavimentos o estacionamientos. Las placas de repuesto y las placas de otras longitudes se venden por separado; consulte la página de especificaciones técnicas para conocer los números de pieza.

Fuente de alimentación. La regla funciona con un motor de gasolina.

Suministros necesarios. El funcionamiento normal requerirá que usted proporcione:

- Gasolina
- Motor aceite
- Equipo de protección personal

Consulte la sección "Especificaciones" de este manual o el Manual del motor para obtener más detalles.

## Especificaciones técnicas

### Cabezal de regla

<b>Modelo</b>	ZPJ-25A
<b>Motor</b>	140FA
<b>Conducir _ sistema</b>	Eje flexible
<b>Peso _</b>	18 kilos
<b>Tipo</b>	4 tiempos, árbol de levas escuchado, 1 cilindro
<b>Desplazamiento</b>	37,7cc

- Las advertencias, precauciones e instrucciones de este manual no pueden cubrir todas las condiciones o situaciones posibles que podrían ocurrir. Tenga sentido común y precaución al utilizar esta herramienta. Siempre Sea consciente del medio ambiente y asegúrese de que la herramienta se utilice de forma segura y responsable. manera.
- NO permita que personas monten u operen este producto hasta que hayan leído este manual. y han desarrollado una comprensión profunda de cómo funciona el producto. obras.
- Utilice la herramienta adecuada para el trabajo. NO intente forzar a equipos pequeños a realizar el trabajo de equipos industriales más grandes. Hay ciertas aplicaciones para las cuales este equipo fue diseñado. Él hará el trabajo mejor y con mayor seguridad a la capacidad para la que fue diseñado. NO utilice este equipo para un propósito para el cual no fue destinado.
- Las aplicaciones industriales o comerciales deben seguir OSHA requisitos.

## **⚠ WARNING**

• Parte del polvo creado al lijar, aserrar, esmerilar, perforar y otras actividades de construcción mecánicamente contiene sustancias químicas que el estado de California reconoce como causantes de cáncer, defectos de nacimiento u otros daños reproductivos. Algunos ejemplos de estos químicos son:

- plomo procedente de pinturas a base de plomo,
- sílice cristalina procedente de ladrillos, cemento y otros productos de albañilería, y
- arsénico y cromo de forma química tratado Tablas de madera.

Su riesgo de estas exposiciones varía, dependiendo de la frecuencia con la que realiza este tipo de trabajo. Para reducir su exposición a estos químicos , trabaje en un área bien ventilada y con equipo de seguridad aprobado, como máscaras antipolvo especialmente diseñadas para filtrar partículas microscópicas .

- La manipulación del cable de alimentación en productos con cable puede

exponerlo al plomo, una sustancia química conocida por el Estado de California para causar cáncer y defectos de nacimiento u otros daños reproductivos. Lávese las manos después de manejarlo .

## **⚠ WARNING**

### **SEGURIDAD DEL ÁREA DE TRABAJO**

- Inspeccione el área de trabajo antes de cada uso. Mantenga el área de trabajo limpia, seca, ordenada y bien iluminada . Las áreas de trabajo desordenadas, mojadas u oscuras pueden provocar lesión.
- No utilice la regla donde exista riesgo de provocar un incendio o una explosión; por ejemplo, en la presencia de líquidos, gases o polvo.
- No permita que la herramienta entre en contacto con una fuente eléctrica. La herramienta no está aislada , y el contacto causará daños eléctricos. choque.
- Mantenga a los niños y a otras personas alejados del área de trabajo mientras opera la regla. No permitir que los niños manejen el Maestro.

• Esté atento a todas las líneas eléctricas, circuitos eléctricos, tuberías de agua y otros peligros mecánicos en su área de trabajo. Algunos de estos peligros pueden estar ocultos a su vista y pueden causar lesiones personales y/o daños a la propiedad si se contacta.

## **⚠ WARNING**

### **SEGURIDAD PERSONAL**

- Manténgase alerta, observe lo que está haciendo y use el sentido común al operar la regla. Hacer No utilice el Screed mientras esté cansado o bajo la influencia de drogas, alcohol o medicamento.
- Vístete apropiadamente. No use ropa holgada, objetos colgantes ni joyas. Mantenga el cabello, la ropa y los guantes alejados de las piezas móviles. La ropa suelta, las joyas o el cabello largo pueden quedar atrapados en partes que se mueven.
- Utilice gafas de seguridad aprobadas por ANSI Z87.1 o anteojos de

seguridad con protectores laterales o, cuando sea necesario, un protector facial. Utilice una máscara antipolvo en condiciones de trabajo polvorientas. Utilice también calzado de seguridad antideslizante, duro Gorros , guantes, sistemas de recolección de polvo y protección auditiva cuando sea apropiado. Esto se aplica a todas las personas en el trabajo. área.

- No te excedas. Mantenga una posición adecuada y el equilibrio en todo momento. veces.
- Retire las llaves o llaves de ajuste antes de poner en marcha la regla. Una llave o llave que sea dejar conectado a una parte giratoria de la regla puede causar lesiones personales. lesión.
- No fumar, fósforos ni llamas abiertas alrededor de la máquina. El combustible es inflamable.
- No tocar caliente superficies.
- Motor escape contiene carbón monóxido. Este es a envenenarte poder no ver o oler. NUNCA usar .

## **USO Y CUIDADO DE LA SOLA**

- No fuerce la regla para realizar una operación distinta a la de su uso previsto. Las reglas hacen un trabajo mejor y más seguro cuando se usan de la manera para la que fueron diseñadas. Planifica tu trabajo y utiliza la regla correcta para el trabajo.
- Verifique si hay piezas dañadas antes de cada uso. Verifique cuidadosamente que la regla funcione correctamente y realizar la función prevista. Reemplace las piezas dañadas o desgastadas inmediatamente. Nunca opere la regla con un dañado parte.
- Guarde la regla cuando no esté en uso. Guárdelo en un lugar seco y seguro fuera del alcance de los niños. Inspeccione la regla para verificar que esté en buenas condiciones de funcionamiento antes de almacenarla y antes de reutilizar . \_
- Utilice únicamente accesorios recomendados por el fabricante para su uso con la regla. Los accesorios que pueden ser adecuados para una regla pueden crear un riesgo de lesiones cuando se usan con otra regla.

- Mantenga los guardias en su lugar y en funcionamiento. orden.
- Mantenga la tabla de engrasar limpio.
- No deje la regla funcionando desesperado.
- Cierre la válvula de combustible cuando el motor no esté en marcha. usar.
- Utilice únicamente el combustible recomendado para evitar dañar el equipo.
- El aceite no viene con la máquina. Agregue aceite al motor antes del primer usar.
- Verifique los niveles de aceite antes de operar el máquina.
- NO reposte combustible el motor mientras aún esté caliente. El combustible es inflamable.
- NO dé servicio al motor mientras aún esté caliente.

## **Advertencias de operación específicas**

### **Para evitar un accidente mortal**

- Pare el motor antes de repostar y tenga cuidado de no derramar combustible durante el repostaje. Derramado El combustible puede encenderse y provocar un incendio.
- No repostar el motor cerca de objetos inflamables para evitar fuego.
- No haga funcionar el motor en áreas cerradas para evitar el monóxido de carbono. envenenamiento.

### **Para proteger al operador**

- Cuando se fatiga por la operación, el operador debe detener la máquina y tomar romper.
- Se requiere protección auditiva ya que esta máquina genera una emisión de ruido a 1 m (3 pies) de distancia del equipo.

### **Para evitar lesiones o daños**

- Las planchas compactadoras sólo son operadas por personas autorizadas. OMS:
- tener al menos 18 años de edad.

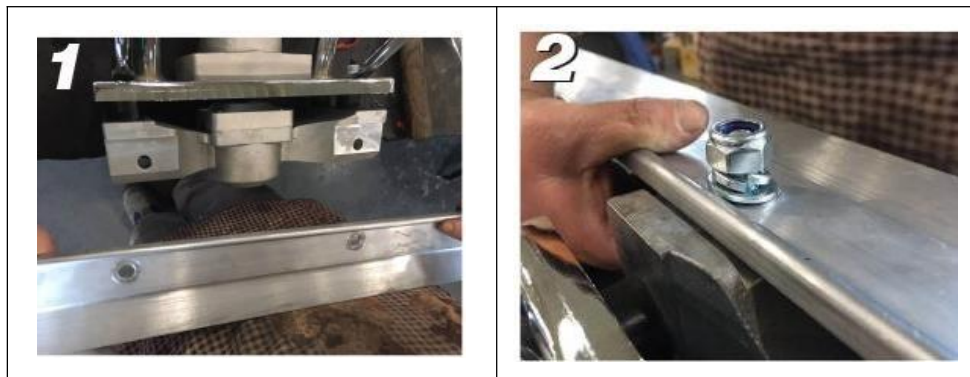
- son física y mentalmente capaces de operar el maestra.
- están debidamente capacitados en la operación y el mantenimiento de la regla por el propietario o esta autorizado representante.
- son evaluados para poder desempeñar sus funciones seguramente.
- No se permite operar a personas que estén bebiendo bebidas alcohólicas y /o consumiendo drogas. el plato compactador.
- No se permite la entrada de personas a la zona de peligro del maestra.
- El operador debe vigilar la zona de peligro en todo momento. No está permitido operar si hay una persona en peligro zona.
- El operador debe dar señales de advertencia en caso de emergencia. situación.
- La regla sólo se puede utilizar cuando se dispone de una estabilidad adecuada. otorgada.
- El operador tiene que controlar la velocidad de funcionamiento de la regla todo el tiempo durante su funcionamiento para que la regla se pueda detener en cualquier tiempo.
- El operador debe apagar completamente la regla como se describe en este manual antes de abandonar la posición de operación. Además, la regla debe estar asegurada contra manipulaciones no autorizadas. usar.
- El motor debe estar apagado y asegurado contra un nuevo arranque sacando el casquillo de la bujía durante el mantenimiento y servicio.
- El operador debe controlar la regla en cuanto a funciones y defectos evidentes antes usar.
- Los defectos descubiertos deben informarse al personal de supervisión y al operador. No dejar los defectos que puedan causar daños graves al operador.
- No opere la regla cuando un defecto ponga en peligro la seguridad del operador hasta que el defecto está rectificado.
- La regla debe ser revisada periódicamente por un experto (al menos una vez al año). Y debe ser revisado por un experto antes del uso inicial y después de las pruebas esenciales. modificación.
- Durante la operación, el operador debe monitorear otros objetos dentro de un radio de 20 m en caso de que de iluminación.

- La regla genera calor mecánico, por lo que no toque el cuerpo del motor, el silenciador u otros piezas durante la operación, lo que puede causar quemaduras por calor. Espere hasta que se enfríe para tocar.

- El operador debe estar completamente equipado con equipo de seguridad que incluya casco protector, guantes de seguridad, zapatos de seguridad, gafas de seguridad y máscara antes de operar el maestra.
- No transportar la regla con combustible en su tanque de combustible por el motor. vehículo.
- No levante la regla por una persona al subir y bajar del vehículo. Utilice siempre una grúa de elevación adecuada para desplazarse. El levantamiento por parte de una persona puede causar lesiones personales debido a su peso. peso.
- Asegúrese de sujetar firmemente la regla para el transporte. Una fijación inadecuada ya que sujetar el mango de la regla durante el transporte puede provocar una lesión.
- Nota: Consulte el manual de instrucciones del motor si hay algún problema o pregunta al respecto antes o durante su operación.

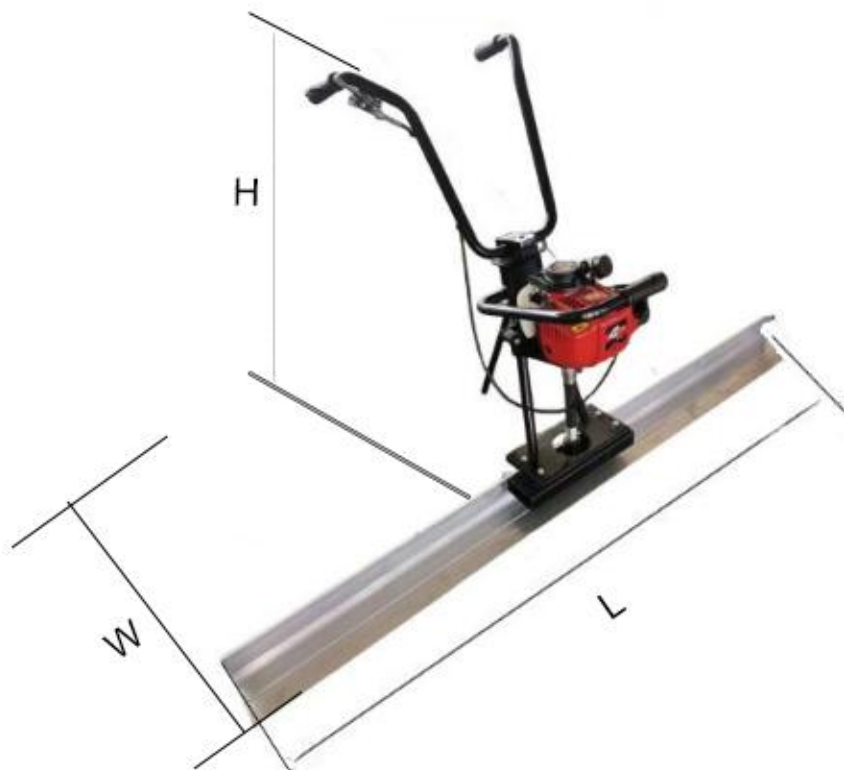
## Instrucciones de montaje

### Conjunto de regla



<p>Alinee la hoja con el conjunto.</p>	<p>Coloque arandelas, tornillos de bloqueo y pernos.</p>
	
<p>Repita el paso 2 para el segundo hoyo.</p>	<p>Conecte el cable del acelerador al motor.</p>
	
<p>Localice el tornillo del acelerador que se encuentra en el motor y pase el cable a través del espacio.</p>	<p>Apriete y asegúrese de que cuando tire de la manija del acelerador, el cable engrane el motor.</p>

## Dimensión



Modelo	Largo(mm)	Ancho(mm)	Mmm)
ZPJ-25A-6	1830	670	730-1060
ZPJ-25A-8	2445	670	730-1060
ZPJ-25A-11	3370	670	730-1060
ZPJ-25A-6/8/11	3370	670	730-1060

## Antes de cada uso

### Preparación para la operación

- 1) Verifique todos los pernos, tuercas y pernos y apriete los que estén flojos.
- 2) Obtenga la longitud deseada de regla junta.

## **Recomendado Combustible**

1) El motor de la regla requiere gasolina normal sin plomo. Utilice únicamente combustible nuevo y limpio. Combustible que contenga agua o suciedad dañará el sistema de combustible. Consulte el manual del propietario del motor para conocer las especificaciones completas de combustible .

## **Antes de arrancar el motor**

1) Leer y comprender el manual de instrucciones de seguridad y funcionamiento del motor.

2) Verificar:

- nivel de aceite en motor.
- Combustible nivel.
- Condición del aire limpiador.
- Estanqueidad del exterior. sujetadores.
- Estado del combustible líneas.
- Desgaste de chispa enchufar .

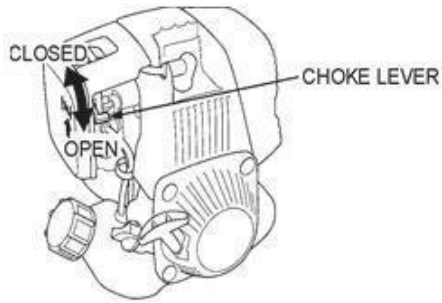
## **Instrucciones de operación**

### **⚠ WARNING**

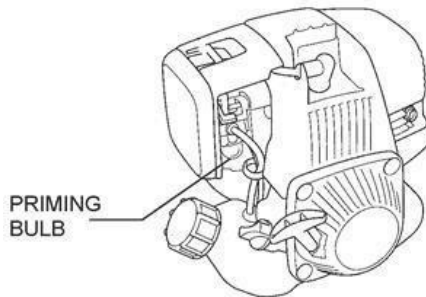
Lea y comprenda tanto el manual del usuario de la regla (estos manuales) como el manual del motor antes de arrancar u operar la regla para evitar una operación incorrecta que pueda provocar daños o lesiones.

## **Arrancar el motor**

1. Realice todos los pasos antes de cada uso pasos.
2. Para arrancar un motor frío, mueva la palanca del estrangulador a la posición CERRADO. Si vuelve a arrancar un motor caliente, deje la palanca del estrangulador en posición ABIERTO. posición.

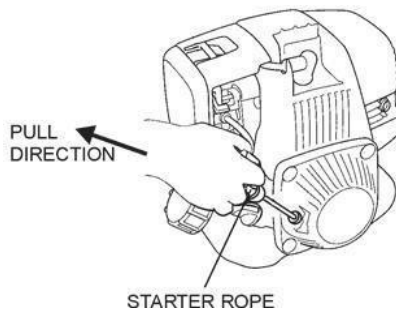


3. Presione la pera de cebado repetidamente hasta que se pueda ver combustible dentro del plástico transparente. bulbo.



4. Mueva la palanca del acelerador ligeramente en la dirección de la flecha.

5. Tire ligeramente de la cuerda de arranque (Figura 03) hasta que sienta resistencia, luego tire enérgicamente en la dirección de la flecha. Devolver la cuerda de arranque suavemente.



6. Una vez que el motor haya arrancado, abra el estrangulador y deje que el motor funcione en ralentí durante 3 a 5 minutos para calentamiento.

## Operación

Lea y comprenda los manuales del usuario del motor y del compactador antes de arrancar u operar el compactador para evitar una operación incorrecta que pueda provocar daños o lesiones.

**Nota:** Cuando alguna vez alto velocidad operación es NO requerido, lento el motor por Moviente el acelerador palanca a a posición baja a ahorrar combustible y extender el vida de el equipo.

1. Una vez que el motor haya arrancado y calentado, abra el acelerador completamente en la dirección de la flecha para operar el maestra.
2. Mueva lentamente la regla hacia atrás observando que haya concreto liso frente a la maestra.

## Parando el motor

En una situación de emergencia, apague el interruptor del motor inmediatamente. En condiciones normales, no pare el motor cuando la regla esté a alta velocidad o la temperatura del motor aumentará repentinamente, lo que podría causar que las piezas del motor se atasquen o que el aceite se deteriore.

**Nota:** Para detener el motor en caso de emergencia, simplemente presione el interruptor de parada de emergencia en la manija.

## Para detener el motor normalmente:

1. Reduzca la velocidad del motor moviendo el acelerador completamente en la dirección opuesta a la flecha y deje que Deje el motor en ralenti durante 2 a 3 minutos antes de girarlo. apagado.
2. Presione el interruptor de parada de emergencia en el manejar. Consulte el manual de instrucciones del motor para obtener más información detallada.

## Después de cada uso

### Limpio arriba

Limpia la regla y el tablero de la regla. Limpia la regla y el tablero de la regla con agua para eliminar todo el concreto pero teniendo cuidado de que el motor no se moje. La placa engrasadora se puede recubrir con una fina capa de combustible diesel para ayudar a prevenir la oxidación y eliminar el concreto más fácilmente.

Limpia las aletas de refrigeración del cilindro del motor. Una escoba o un cepillo viejo son buenas herramientas para quitar el concreto antes de que se solidifique.

Consulte el manual del motor para obtener más información sobre el motor.

### Almacenamiento

En caso de almacenar la solera y el tablero por un período prolongado (más de 30 días):

- 1) Limpia la regla como se describe. arriba.
- 2) Retire la tabla de la regla como se describe en este manual.
- 3) Drene el tanque de combustible y haga funcionar el motor brevemente hasta que el combustible en el carburador esté completamente vacío.  
consumado
- 4) Cambie el aceite del motor y siga los procedimientos descritos en el manual del motor. almacenamiento.
- 5) Limpia o reemplaza el aire del motor. filtrar.
- 6) Guarde la regla y la tabla por separado en un lugar limpio y seco. área.
- 7) Cubra completamente la solera y la tabla con seco paño.

## Mantenimiento

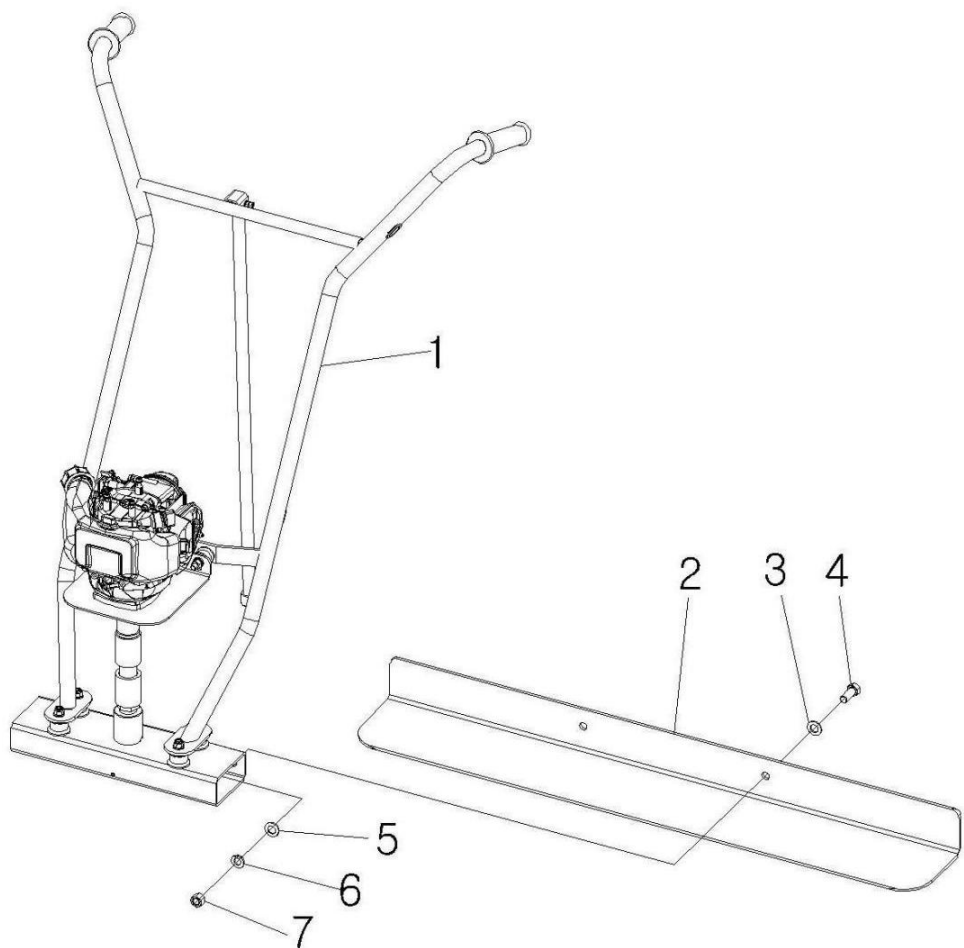
Verifique que el motor del compactador esté apagado y enfriado antes de intentar cualquier mantenimiento, limpieza o inspección. Realizar el mantenimiento de un compactador en funcionamiento puede causar

lesiones.

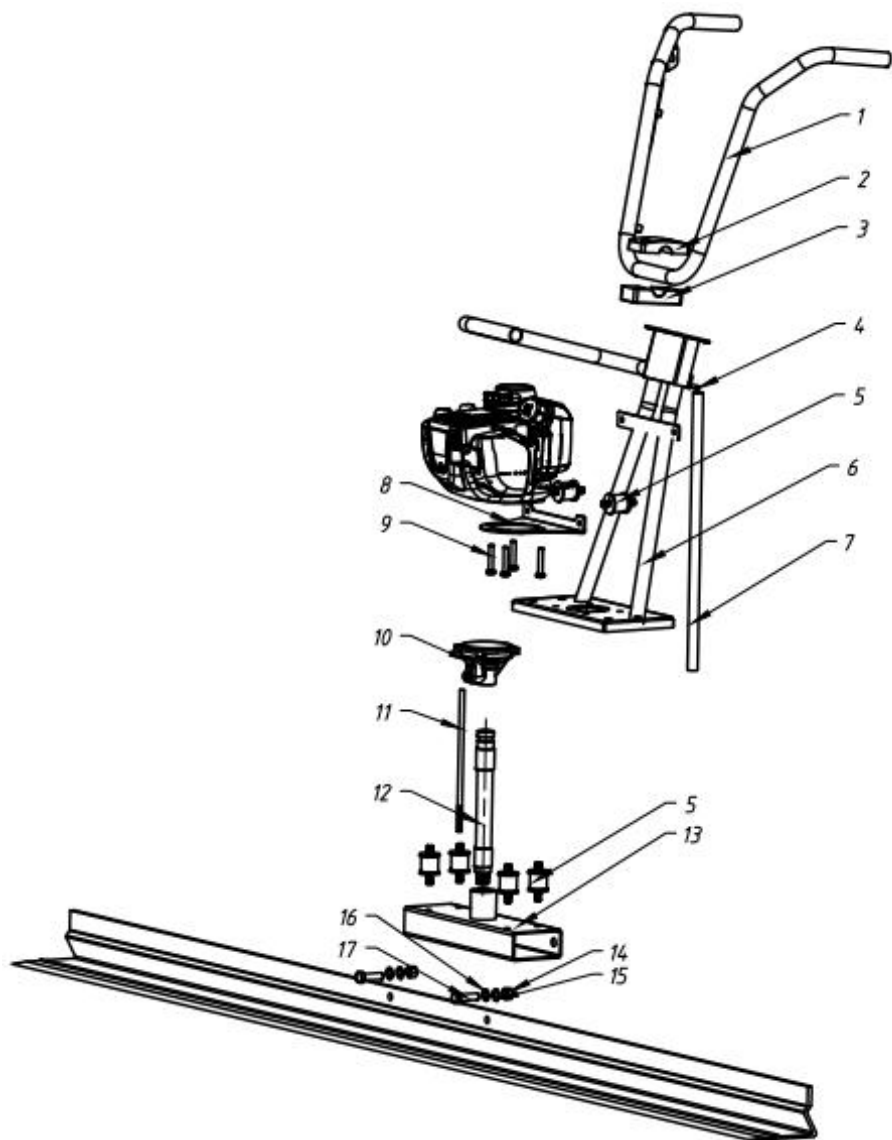
Mantenga la regla adoptando un programa de reparación y mantenimiento concienzudos de acuerdo con los siguientes procedimientos recomendados: Consulte también el manual de instrucciones del fabricante del motor para obtener información adicional sobre el mantenimiento del motor. El siguiente cuadro se basa en un programa de operación normal.

<b>Intervalo de mantenimiento</b>	<b>Punto de mantenimiento</b>
Diariamente antes de operar	Verifique el nivel de combustible. Verifique el nivel de aceite del motor. Inspeccione las líneas de combustible. Inspeccione el filtro de aire y reemplácelo si es necesario. Verifique y apriete el hardware externo.
Después de las primeras 20 horas de funcionamiento o 3 meses	Cambie el aceite del motor.
Después de las primeras 50 horas de funcionamiento o cada 6 meses	Limpie el elemento del filtro de aire. Cambie el aceite del motor. Revisar y limpiar la bujía.
Después de las primeras 100 horas de funcionamiento o cada año	Limpiar el colador de combustible.
Después de las primeras 200 horas de funcionamiento o cada 2 años	Compruebe y ajuste la holgura de las válvulas. Limpiar la culata. Reemplace la bujía.

No.	Descripciones	Tamaño o dimensión	Cantidad			
			Modelo de ajuste			
			ZPJ-2 5A- 6	ZPJ-2 5A-8	ZPJ- 25A- 11	ZPJ-2 5A-6/8 /11
1	Concreto Cabezal de regla		1	1	1	1
2	Tablero de enrasado 6 pie	6 pies	1	/	/	1
	Tablero de enrasado 8 pie	8 pies	/	1	/	1
	Tablero de enrasado 1 1 pie	1 1 pie	/	/	1	1
3	Arandela	M12	2	2	2	2
4	Tornillo	M12x 4 0	2	2	2	2
5	Arandela	M12	2	2	2	2
6	Arandela de resorte	M12	2	2	2	2
7	Tuerca ciega	M12	2	2	2	2





**Diagrama de explosión**



No.	Descripciones	Cantidad	Tamaño o dimensión
1	Conjunto de soldadura de mango	1	ZPJ-25A.2

2	Bloque de sujeción	1	ZPJ-25.9
3	Bloque de sujeción	1	ZPJ-25.10
4	Eje del pasador	1	GB/T882-B6*35
5	Mango Soporte Goma	6	TVSA-T.18
6	Conjunto de soldadura de mango	1	ZPJ-25A.1
7	Tubo de soporte del mango	1	ZPJ-25.12
8	Placa del motor	1	ZPJ-25A.3
9	Tornillo	4	GB/T70.1-M6*30-10.9
10	Conjunto de carcasa de embrague	1	TVSA-T.15
11	Cable	1	TVSA-T.16
12	Manguera de goma	1	TVSA-T.17
13	Conjunto de carcasa vibratoria	1	TVSA-T.14
14	Tuerca	2	ES/T6170-M12
15	Arandela	2	GB/T97.1-φ12
dieciséis	Arandela de resorte	2	GB/T93-φ12
17	Tornillo	2	GB/T5783-M12*40

## Lista de partes

No.	Nombre	Imagen	Cantidad
1	Llave hexagonal (S=4)		1
2	Llave hexagonal (S=6)		1

3	Llave de tubo		
4	Llave de doble uso (S=18)		2
5	de tornillos de cabeza hexagonal (M12*40)		2
6	Manual		1
7	Declaración de emisiones		1

## Solución de problemas

Consulte la lista a continuación antes de abordar los problemas con el personal de servicio, incluido el distribuidor local. Y si el problema continúa después de solucionarlo como se describe a continuación, llame a su distribuidor local para obtener ayuda en el futuro.

Falla	Causa posible	Medida correctiva
La vibración es insuficiente y, como resultado, el suelo de hormigón no se puede nivelar ni alisar de forma adecuada.	La fuerza centrífuga es demasiado baja.	Aumente la velocidad del motor.
	Hay cantidades excesivas de concreto a lo largo del borde anterior del tablero.	Retire el exceso de hormigón del tablero.

	El ancho elegido del tablero es demasiado grande.	Trabaja con una tabla más pequeña.
El concreto se ve "ONDULADO" cuando la tabla de enrasado pasa sobre él	El operador se mueve demasiado lento	Camine hacia atrás a un ritmo más rápido.
	Demasiada vibración para el tipo de hormigón.	Reduzca la velocidad del motor y camine hacia atrás a un ritmo más rápido.
Dejar puntos ALTOS o BAJOS durante el nivelado húmedo.	¿El hormigón es demasiado alto o demasiado bajo en un lado?	Haga que los trabajadores den forma al concreto lo más cerca posible del nivel. Mantenga aproximadamente 1 pulgada de concreto en el frente del tablero en todo momento.
La tabla se clava en el hormigón húmedo.	¿Está la placa colocada correctamente?	Cada extremo de la tabla debe deslizarse sobre la misma superficie. Cada extremo del tablero se apoya sobre encofrados o sobre concreto (regla húmeda), no sobre ambos.

**Fabricante:** Shanghaimuxinmuyeyouxiangongsi

**Dirección:** Baoshanqu Shuangchenglu 803long 11hao 1602A-1609shi

Shanghai

**Importado a AUS:** SIHAO PTY LTD.1 ROKEVA STREETEASTWOOD  
NSW 2122 Australia

**Importado a EE. UU.:** Sanven Technology Ltd. Suite 250, 9166 Anaheim  
Place, Rancho Cucamonga, CA 91730

**REPRESENTANTE CE:** SHUNSHUN GmbH.  
Römeräcker 9 Z2021,76351 Linkenheim-Hochstetten, Alemania  
Tel: +49 1727041930 euvertreter@gmail.com

**REPRESENTANTE DEL REINO UNIDO:** Pooledas Group Ltd  
Unidad 5 Albert Edward House, The Pavilions Preston, Reino Unido  
Teléfono: 01772418127 pooledas123@gmail.com

**Hecho en china**





**VEVOR<sup>®</sup>**

**TOUGH TOOLS, HALF PRICE**

**Técnico Certificado de soporte y garantía electrónica**

**[www.vevor.com/support](http://www.vevor.com/support)**

# **VEVOR<sup>®</sup>**

**TOUGH TOOLS, HALF PRICE**

Techniczny Certyfikat wsparcia i e-gwarancji [www.vevor.com/support](http://www.vevor.com/support)

## **WYLEWKA BETONOWA**

**MODELE: ZPJ-25A-6, ZPJ-25A-8, ZPJ-25A-11  
ZPJ-25A-6/8/11**

We continue to be committed to provide you tools with competitive price.

"Save Half", "Half Price" or any other similar expressions used by us only represents an estimate of savings you might benefit from buying certain tools with us compared to the major top brands and does not necessarily mean to cover all categories of tools offered by us. You are kindly reminded to verify carefully when you are placing an order with us if you are actually saving half in comparison with the top major brands.





# VEVOR®

TOUGH TOOLS, HALF PRICE

## CONCRETE SCREED

MODEL:MODEL: ZPJ-25A-6, ZPJ-25A-8, ZPJ-25A-11  
ZPJ-25A-6/8/11



### NEED HELP? CONTACT US!

Have product questions? Need technical support? Please feel free to contact us:

**Technical Support and E-Warranty Certificate**  
**[www.vevor.com/support](http://www.vevor.com/support)**

This is the original instruction, please read all manual instructions carefully before operating. VEVOR reserves a clear interpretation of our user manual. The appearance of the product shall be subject to the product you received. Please forgive us that we won't inform you again if there are any technology or software updates on our product.

# WAŻNI OCHRONIARZE



**OSTRZEŻENIE:** Przed przystąpieniem do obsługi lub serwisowania tego produktu należy przeczytać i zrozumieć całą niniejszą instrukcję. Niezastosowanie się do tych ostrzeżeń i instrukcji może spowodować obrażenia ciała lub uszkodzenie cennego mienia.

## Przeznaczeni

e

Jastrych ten wykorzystuje wibracje przechodzące przez płytę jastrychu do osadzenia kruszywa i zmniejszenia pustek powietrznych w betonie, dzięki czemu płyty są mocniejsze. Można go stosować z deskami o różnych długościach, w tym 6 stóp, 8 stóp, 10 stóp, 12 stóp i 14 stóp, na podłogach z płyt, drogach, chodnikach lub parkingach. Deski zamienne i deski o innych długościach są sprzedawane osobno — numery części można znaleźć na stronie specyfikacji technicznych.

Źródło prądu. Stół napędzany jest silnikiem benzynowym.

Wymagane materiały. Normalna praca będzie wymagała dostarczenia:

- Benzyna
- Silnik olej
- Osobisty sprzęt ochronny

Więcej szczegółów można znaleźć w części „Specyfikacje” tej instrukcji lub w Instrukcji silnika.

## Specyfikacja techniczna

### Głowa jastrychu

<b>Model</b>	ZPJ-25A
<b>Silnik</b>	140FA
<b>Prowadzić _ system</b>	Elastyczny wał
<b>Waga _</b>	18 kg

<b>Typ</b>	4-suwowy, słyszalny wałek rozrządu, 1 cylinder
<b>Przemieszczenie</b>	37,7 cm <sup>3</sup>

- Ostrzeżenia, przestrogi i instrukcje zawarte w tej instrukcji nie obejmują wszystkich możliwych warunków i sytuacji, które mogą wystąpić. Podczas korzystania z tego narzędzia należy zachować zdrowy rozsądek i ostrożność. Zawsze zwracaj uwagę na środowisko i upewnij się, że narzędzie jest używane w sposób bezpieczny i odpowiedzialny sposób.
- NIE pozwalaj osobom na montaż lub obsługę tego produktu, dopóki nie przeczytają tej instrukcji i rozwinęliśmy dogłębną wiedzę na temat działania produktu Pracuje.
- Użyj odpowiedniego narzędzia do danego zadania. NIE próbuj zmuszać małego sprzętu do wykonywania pracy większego sprzętu przemysłowego. Istnieją pewne zastosowania, dla których zaprojektowano to urządzenie. To wykona pracę lepiej i bezpieczniej, przy wydajności, do której została przeznaczona. NIE używaj tego urządzenia do celów, do których nie zostało przeznaczone.
- Zastosowania przemysłowe lub komercyjne muszą być zgodne z OSHA wymaganiami.

## **⚠ WARNING**

- Część pyłu powstającego podczas piaskowania, piłowania, szlifowania, wiercenia i innych prac budowlanych zawiera substancje chemiczne, o których w stanie Kalifornia wiadomo, że powodują raka, wady wrodzone lub inne zaburzenia reprodukcji. Kilka przykładów tych substancji chemicznych Czy:
    - ołów z farb na bazie ołowiu,
    - krzemionka krystaliczna z cegieł i cementu oraz innych wyrobów murarskich, oraz
    - arsen i chrom z chemii leczony graty.
- Ryzyko związane z tymi ekspozycjami jest różne, w zależności od tego, jak często wykonujesz tego typu pracę. Aby zmniejszyć narażenie na te chemikalia, należy pracować w dobrze wentylowanym pomieszczeniu i używać zatwierdzonego sprzętu ochronnego, takiego jak maski

przeciwpyłowe specjalnie zaprojektowane do filtrowania mikroskopijnych części .

- Obchodzenie się z przewodem zasilającym produktów przewodowych może narazić Cię na kontakt z ołowiem – substancją chemiczną, o której wiadomo stanowiącą zagrożenie dla zdrowia, aby powodowały raka, wady wrodzone lub inne zaburzenia reprodukcji. Umyj ręce po obsłudze .

## **⚠ WARNING**

### **BEZPIECZEŃSTWO W MIEJSCU PRACY**

- Przed każdym użyciem sprawdź miejsce pracy. Utrzymuj miejsce pracy w czystości, suchości, porządku i dobrze oświetlone . Może to skutkować bólem, wilgocią lub ciemnym miejscem pracy obrażenia.
- Nie używaj listwy tam, gdzie istnieje ryzyko spowodowania pożaru lub eksplozji; np. w obecności łatwopalnych cieczy, gazów lub pyłu.
- Nie dopuszczaj do kontaktu narzędzia ze źródłem prądu elektrycznego. Narzędzie nie jest izolowane , i kontakt spowoduje porażenie prądem zaszokować.
- Trzymaj dzieci i osoby postronne z dala od obszaru roboczego podczas obsługi stołu. Nie rób pozwolić dzieciom zająć się Elabrat.

• Należy zwracać uwagę na wszystkie linie energetyczne, obwody elektryczne, rury wodociągowe i inne zagrożenia mechaniczne Twój obszar pracy. Niektóre z tych zagrożeń mogą być ukryte przed Twoim wzrokiem i mogą spowodować obrażenia ciała i/lub uszkodzenie mienia, jeśli skontaktowałem się.

## **⚠ WARNING**

### **BEZPIECZEŃSTWO OSOBISTE**

- Zachowaj czujność, uważaj, co robisz i kieruj się zdrowym rozsądkiem podczas obsługi stołu. Do nie używaj urządzenia, gdy jesteś zmęczony lub pod wpływem narkotyków, alkoholu lub lek.
- Ubierz się odpowiednio. Nie noś luźnej odzieży, zwisających

przedmiotów ani biżuterii. Trzymaj włosy, odzież i rękawiczki z dala od ruchomych części. Luźne ubrania, biżuteria lub długie włosy mogą zostać wciągnięte ruchome części.

- Należy używać gogli ochronnych lub okularów ochronnych z bocznymi osłonami lub, jeśli to konieczne, osłony twarzy zgodnej z normą ANSI Z87.1. W zapyłonych warunkach pracy należy używać maski przeciwpyłowej. Należy także używać antypoślizgowego obuwia ochronnego, twardego czapki, rękawiczki, systemu odpylania i, jeśli to konieczne, środki ochrony słuchu. Dotyczy to wszystkich osób zatrudnionych w pracy obszar.
- Nie przesadzaj. Utrzymuj prawidłową postawę i równowagę czasy.
- Przed uruchomieniem listwy usuń klucze regulacyjne. Klucz lub klucz pozostawione przymocowane do obracającej się części stołu może spowodować obrażenia ciała obrażenia.
- Zakaz palenia, zapalek i otwartego ognia wokół maszyny. Paliwo jest zapalny.
- Nie dotykaj gorącego powierzchni.
- Silnik wydechowy zawiera węgiel tlenek. To Jest A otruć cię Móc nie Widzieć Lub zapach. NIGDY używać .

## **UŻYTKOWANIE I PIELEGNACJA JASTRY**

- Nie zmuszaj Listwy do wykonywania czynności niezgodnych z przeznaczeniem. Jastrzychy wykonują lepszą i bezpieczniejszą pracę, jeśli są używane zgodnie z przeznaczeniem. Zaplanuj swoją pracę i korzystaj właściwy jastrych dla stanowisko.
- Przed każdym użyciem sprawdź, czy części nie są uszkodzone. Dokładnie sprawdź, czy stół będzie działał prawidłowo i spełniać swoją zamierzoną funkcję. Natychmiast wymień uszkodzone lub zużyte części. Nigdy nie używaj stołu z uszkodzonym część.
- Przechowuj stół, gdy nie jest używany. Przechowuj go w suchym, bezpiecznym miejscu niedostępnym dla dzieci. Przed składowaniem i przed składowaniem należy sprawdzić wylewkę pod kątem dobrego stanu użytkowego ponowne użycie .

- Używaj wyłącznie akcesoriów zalecanych przez producenta do użytku ze stołem. Akcesoria, które mogą być odpowiednie dla jednego stołu, mogą powodować ryzyko obrażeń w przypadku użycia z innym stołem.
- Utrzymuj osłony na miejscu i w pracy zamówienie.
- Zachowaj deskę wylewkową czysty.
- Nie pozostawiaj włączonego stołu bez nadzoru.
- Zakręć zawór paliwa, gdy silnik nie jest uruchomiony używać.
- Używaj wyłącznie zalecanego paliwa, aby uniknąć uszkodzenia sprzęt.
- Olej nie jest dostarczany z maszyną. Dodaj olej do silnika przed pierwszym używać.
- Przed uruchomieniem sprawdź poziom oleju maszyna.
- NIE tankuj silnika, gdy jest jeszcze gorący. Paliwo jest zapalny.
- NIE serwisuj silnika , gdy jest on nieruchomy gorący.

## **Specjalne ostrzeżenia dotyczące obsługi**

### **Aby uniknąć śmiertelnego wypadku**

- Przed tankowaniem zatrzymaj silnik i uważaj, aby nie rozlać paliwa podczas tankowania. Rozlany paliwo może się zapalić i spowodować pożar.
- Aby tego uniknąć, nie tankuj silnika w pobliżu łatwopalnych obiektów ogień.
- Nie uruchamiaj silnika w zamkniętych pomieszczeniach, aby zapobiec przedostawaniu się tlenu węgla zatrucie.

### **Aby chronić operatora**

- W przypadku zmęczenia pracą operator musi zatrzymać maszynę i zabrać się do pracy przerwa.
- Wymagana jest ochrona słuchu, ponieważ urządzenie emituje hałas w odległości 1 m (3 stóp) od sprzęt.

### **Aby uniknąć obrażeń lub uszkodzeń**

- Zagęszczarki płytowe obsługiwane są wyłącznie przez osoby upoważnione Kto:

- mają co najmniej 18 lat wiek.
- są fizycznie i psychicznie zdolni do obsługi elaborat.
- zostali odpowiednio przeszkoleni w zakresie obsługi i konserwacji jastrychu przez właściciela lub jest autoryzowany przedstawiciel.
- ocenia się, że są w stanie wykonywać swoje obowiązki niezawodnie.
- Osoby pijące napoje alkoholowe i /lub zażywające narkotyki nie mogą pracować talerz zagęszczarka.
- Zabrania się wstępu do strefy zagrożenia elaborat.
- Operator musi przez cały czas monitorować strefę niebezpieczną. Jeśli tak jest, nie można go uruchomić osoba w niebezpieczeństwie strefa.
- Operator ma obowiązek dać znaki ostrzegawcze w sytuacji awaryjnej sytuacja.
- Stół można użytkować tylko przy odpowiedniej stabilności nadany.
- Operator musi kontrolować prędkość pracy stołu przez cały czas jego pracy, tak aby stół mógł zostać zatrzymany w dowolnym momencie. czas.
- Przed opuszczeniem operatora operator musi całkowicie wyłączyć stół zgodnie z opisem w niniejszej instrukcji pozycję roboczą. Należy także zabezpieczyć jastrych przed niepowołanymi osobami używać.
- Podczas konserwacji silnik należy wyłączyć i zabezpieczyć przed ponownym uruchomieniem poprzez wyciągnięcie nasadki świecy zapłonowej serwisowanie.
- Operator musi wcześniej skontrolować stół pod kątem działania i oczywistych usterek używać.
- Wykryte wady należy zgłosić personelowi nadzorującemu i operatorowi. Nie rób pozostawić wady, które mogą spowodować poważne obrażenia ciała operator.
- Nie używać stołu, gdy usterka zagraża bezpieczeństwu operatora, aż do wystąpienia usterki jest poprawione.
- Jastrych musi być regularnie sprawdzany przez rzeczoznawcę ( przynajmniej raz w roku). I musi przed pierwszym użyciem i po zasadniczym sprawdzeniu przez specjalistę modyfikacja.
- Podczas operacji operator musi na wszelki wypadek monitorować inne obiekty w promieniu 20 m oświetlenia.

- Deska generuje ciepło mechaniczne, dlatego nie należy dotykać korpusu silnika, tłumika ani innych elementów części podczas pracy, co może spowodować oparzenia cieplne. Proszę poczekać, aż ostygnie dotykać.

- Przed rozpoczęciem pracy operator musi być w pełni wyposażony w sprzęt ochronny, w tym kask ochronny, rękawice ochronne, obuwie ochronne, okulary ochronne i maskę elaborat.
- Nie transportować listwy z paliwem w zbiorniku, trzymając za silnik pojazd.
- Nie podnosić stołu przez osobę podczas zakładania i zdejmowania z pojazdu. Do przenoszenia zawsze używaj odpowiedniego dźwigu. Podnoszenie przez osobę może spowodować obrażenia ciała ze względu na jego ciężar waga.
- Należy pamiętać o solidnym zamocowaniu listwy na czas transportu. Nieprawidłowe zamocowanie, gdyż trzymanie uchwytu listwy podczas transportu może spowodować obrażenia.
- Uwaga: Jeżeli przed lub w trakcie eksploatacji wystąpią problemy lub pytania dotyczące silnika, należy zapoznać się z instrukcją obsługi silnika.

## **Instrukcje składania**

### **Montaż jastrychu**



Wyrównaj ostrze z zespołem.



Zamocuj podkładki, śruby zabezpieczające i śruby.



Powtórz krok 2 dla drugiego otworu.



Podłącz linkę gazu do silnika.

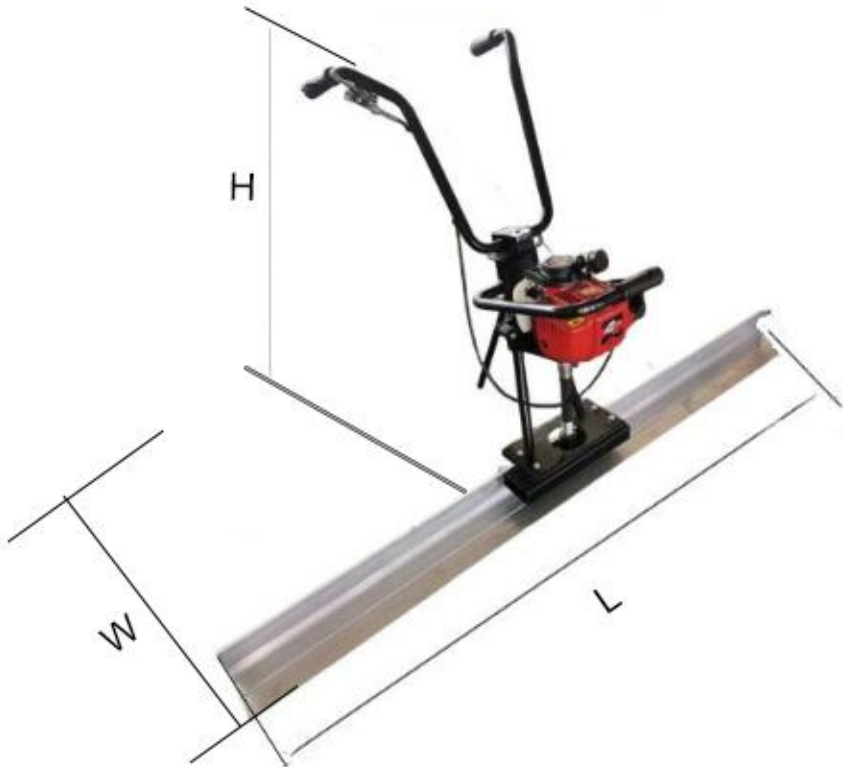


Znajdź śrubę przyspieszacza znajdującą się na silniku i przetnij linkę przez szczelinę.



Dokręć i upewnij się, że po pociągnięciu manetki gazu linka zaczepia o silnik.

## Wymiar



Model	L(mm)	Szer. (mm)	H(mm)
ZPJ-25A-6	1830	670	730-1060
ZPJ-25A-8	2445	670	730-1060
ZPJ-25A-11	3370	670	730-1060
ZPJ-25A-6/8/11	3370	670	730-1060

## Przed każdym użyciem

Przygotowanie do operacji

- 1) Sprawdź wszystkie śruby i nakrętki oraz dokręć te, które są poluzowane.
- 2) Uzyskaj żadaną długość jastrychu tablica.

### **Zalecana Paliwo**

1) Silnik stołu wymaga zwykłej benzyny bezołowiowej. Używaj wyłącznie świeżego, czystego paliwa. Paliwo zawierające wodę lub brud, spowodują uszkodzenie układu paliwowego. Pełne specyfikacje paliwa można znaleźć w instrukcji obsługi silnika .

### **Przed uruchomieniem silnika**

- 1) Przeczytaj i zrozum instrukcję bezpieczeństwa i obsługi urządzenia silnik.
- 2) Sprawdź:
  - Poziom oleju w silnik.
  - Paliwo poziom.
  - Stan powietrza odkurzacz.
  - Szczelność zewnętrzna elementy złączone.
  - Stan paliwa linie.
  - Zużycie iskry wtyczka .

## **Instrukcja obsługi**

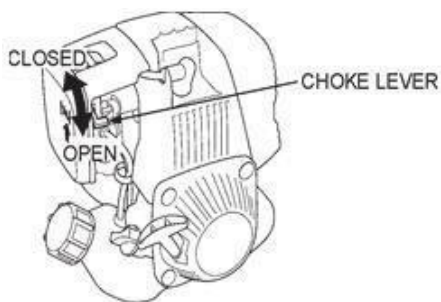
### **⚠ WARNING**

Przed uruchomieniem lub obsługą stołu należy przeczytać i zrozumieć instrukcję obsługi stołu (niniejsze instrukcje) oraz instrukcję silnika, aby uniknąć nieprawidłowej obsługi, która może skutkować uszkodzeniem lub obrażeniami ciała.

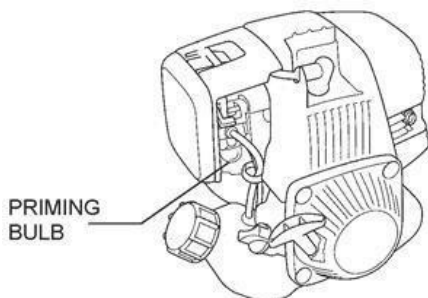
### **Uruchamianie silnika**

1. Wykonaj wszystkie czynności przed każdym użyciem kroki.
2. Aby uruchomić zimny silnik, przesun dźwignię ssania do pozycji ZAMKNIĘTE. Jeśli ponownie uruchamiasz ciepły silnik, pozostaw dźwignię

ssania w położeniu OTWARTE pozycja.

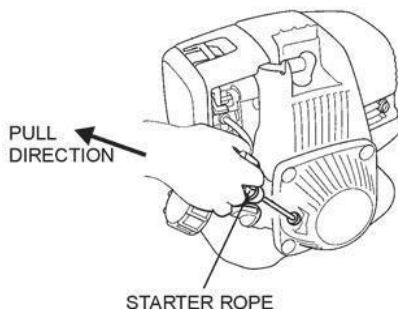


3. Naciskaj gruszkę zalewową kilka razy, aż w przezroczystym plastiku będzie widoczne paliwo żarówka.



4. Przesuń lekko dźwignię przepustnicy w kierunku strzałka.

5. Pociągnij lekko linkę rozrusznika (Rysunek 03) do momentu wycucia oporu, a następnie pociągnij energicznie w kierunku strzałka. Zwróć linkę rozrusznika łagodnie.



6. Po uruchomieniu silnika otwórz ssanie i pozostaw silnik na biegu jałowym przez 3 do 5 minut rozgrzewka.

## Operacja

Przed uruchomieniem lub obsługą zagęszczarki należy przeczytać i zrozumieć instrukcję obsługi silnika i zagęszczarki, aby uniknąć nieprawidłowej obsługi, która może skutkować uszkodzeniem lub obrażeniami.

**Uwaga:** kiedy kiedykolwiek wysoki prędkość operacja Jest NIE wymagany, powolny the silnik przez poruszający the przepustnica dźwignia Do A niska pozycja Do ratować paliwo I rozszerzyć the życie z the sprzęt.

1. Po uruchomieniu i rozgrzaniu silnika otwórz całkowicie przepustnicę w kierunku strzałki, aby uruchomić elaborat.
2. Powoli przesuwaj listwę do tyłu, obserwując, czy przed nią znajduje się gładki beton elaborat.

## Zatrzymanie silnika

W sytuacji awaryjnej natychmiast wyłącz wyłącznik silnika. W normalnych warunkach nie wyłączaj silnika, gdy stół pracuje z dużą prędkością, gdyż w przeciwnym razie temperatura silnika gwałtownie wzrośnie, co może spowodować zablokowanie części silnika lub pogorszenie jakości oleju.

**Uwaga:** Aby zatrzymać silnik w sytuacji awaryjnej, wystarczy nacisnąć wyłącznik awaryjny na uchwycie.

## Aby normalnie zatrzymać silnik:

1. Zmniejsz prędkość silnika, całkowicie przesuwając przepustnicę w kierunku przeciwnym do strzałki i poczekaj silnik powinien pracować na biegu jałowym przez 2–3 minuty, a następnie go włączyć wyłączony.
2. Naciśnij wyłącznik awaryjny na uchwyt.

Więcej szczegółowych informacji można znaleźć w instrukcji obsługi silnika.

## Po każdym użyciu

### Czysty w górę

Oczyścić jastrych i płytę jastrychową. Oczyść jastrych i deskę wylewkową wodą, aby usunąć cały beton, ale uważaj, aby silnik nie został zamoczony. Deskę jastrychową można pokryć cienką warstwą oleju napędowego, aby zapobiec rdzewieniu i ułatwić usuwanie betonu.

Oczyścić żebra chłodzące cylindra silnika. Miotła lub stara szczotka to dobre narzędzia do usuwania betonu, zanim stwardnieje.

Więcej informacji na temat silnika można znaleźć w instrukcji obsługi silnika.

### Składowanie

W przypadku przechowywania jastrychu i płyty przez dłuższy okres czasu (ponad 30 dni):

- 1) Oczyścić jastrych zgodnie z opisem powyżej.
- 2) Zdjąć deskę z jastrychu w sposób opisany w tym punkcie podręcznik.
- 3) Opróżnij zbiornik paliwa i uruchom silnik na krótko, aż do całkowitego wyczerpania się paliwa w gaźniku strawiony
- 4) Wymień olej silnikowy i postępuj zgodnie z procedurami opisanymi w instrukcji obsługi silnika składowanie.
- 5) Oczyść lub wymień powietrze w silniku filtr.
- 6) Przechowuj wylewkę i deskę oddzielnie w czystym i suchym miejscu obszar.
- 7) Całkowicie pokryć jastrych i deskę suchą płótno.

## Konserwacja

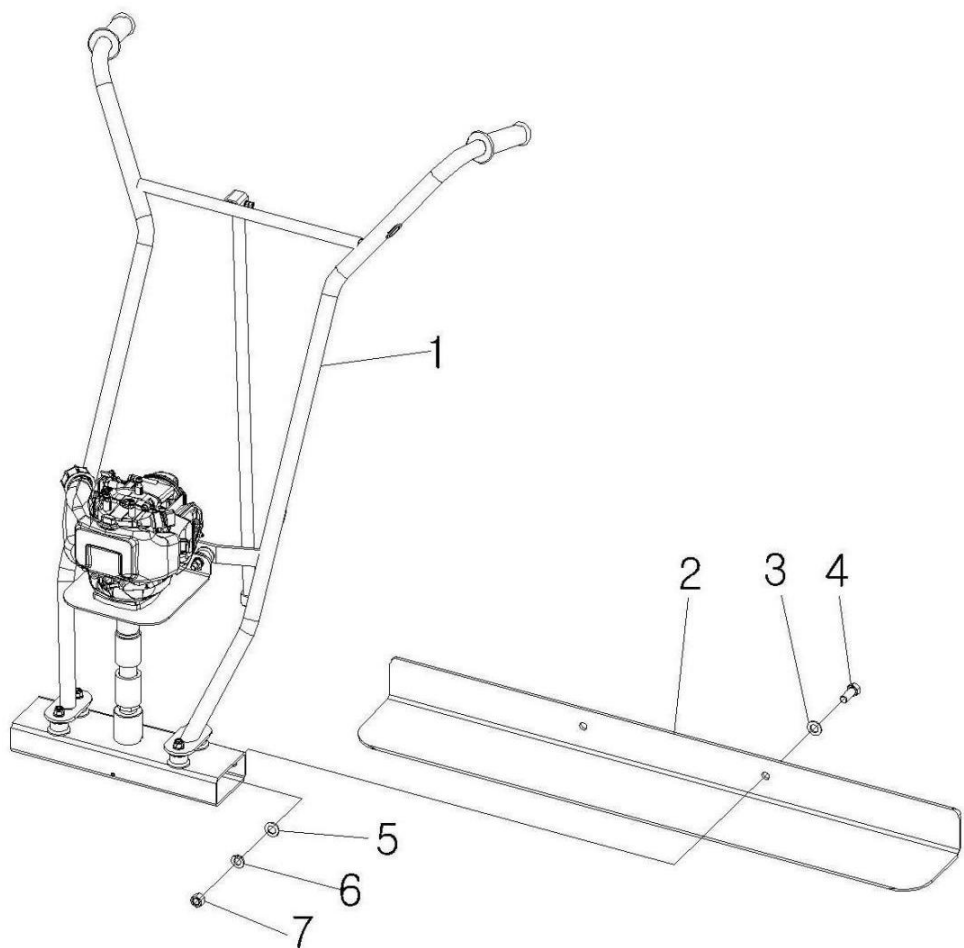
Przed przystąpieniem do jakichkolwiek prac konserwacyjnych, czyszczenia lub kontroli należy sprawdzić, czy silnik zagęszczarki jest wyłączony i ostygnięty. Wykonywanie konserwacji działającej zagęszczarki może spowodować obrażenia.

Konserwuj stół, stosując program sumiennych napraw i konserwacji zgodnie z następującymi zalecanymi procedurami: Dodatkowe informacje na temat konserwacji silnika można znaleźć także w instrukcji obsługi producenta silnika. Poniższy wykres opiera się na normalnym harmonogramie pracy.

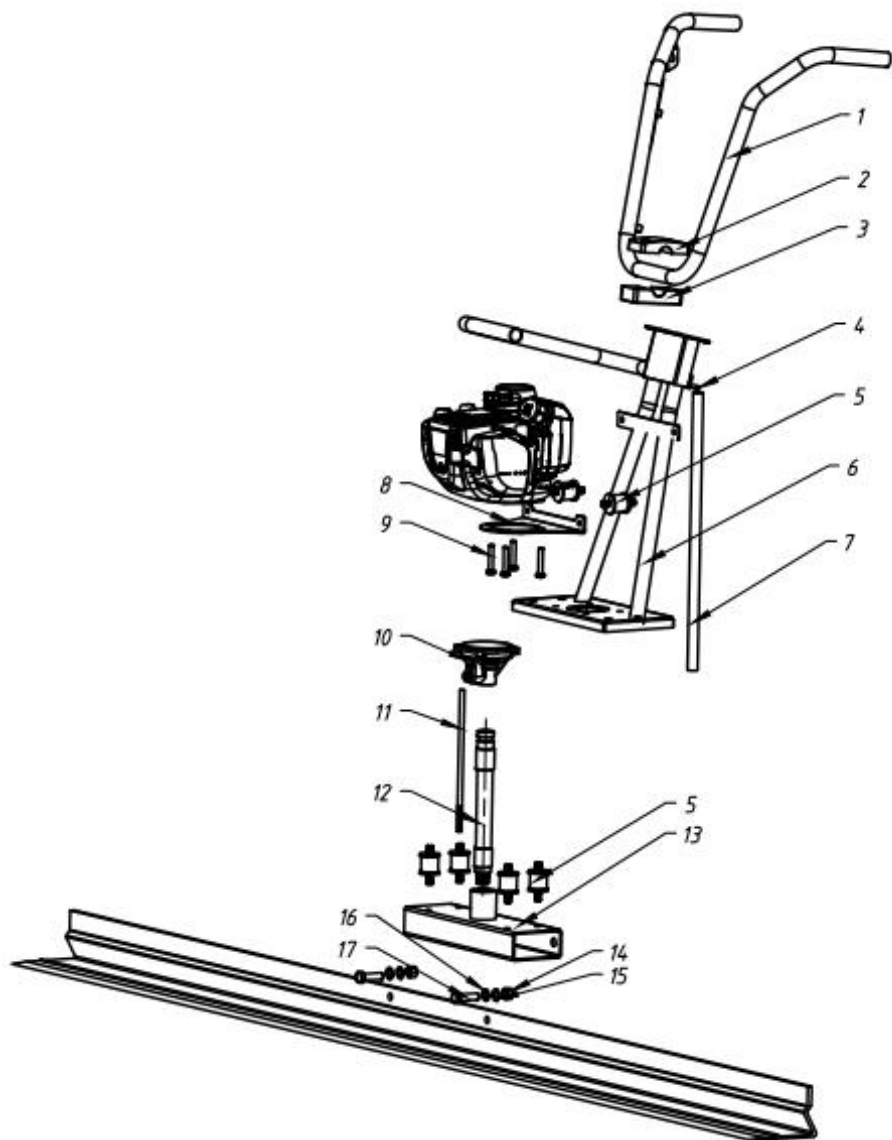
<b>Częstotliwość konserwacji</b>	<b>Punkt konserwacji</b>
Codziennie przed operacją	Sprawdź poziom paliwa. Sprawdź poziom oleju silnikowego. Sprawdź przewody paliwowe. Sprawdź filtr powietrza i wymień go w razie potrzeby. Sprawdź i dokręć osprzęt zewnętrzny.
Po pierwszych 20 godzinach pracy lub 3 miesiącach	Zmień olej silnikowy.
Po pierwszych 50 godzinach pracy lub co 6 miesięcy	Wyczyść wkład filtra powietrza. Zmień olej silnikowy. Sprawdź i wyczyść świecę zapłonową.
Po pierwszych 100 godzinach pracy lub co każde rok	Wyczyść filtr paliwa.
Po pierwszych 200 godzinach pracy lub co 2 lata	Sprawdź i wyreguluj luz zaworowy. Wyczyść głowicę cylindrów. Wymień świecę zapłonową.

NI E.	Opisy	Rozmiar lub wymiar	Ilość
			Dopasowany model

			ZPJ-2 5A- 6	ZPJ-2 5A-8	ZPJ- 25A- 11	ZPJ-2 5A-6/8 /11
1	Beton Głowa jastrychu		1	1	1	1
2	Deska jastrychowa 6 stopy	6 stóp	1	/	/	1
	Deska jastrychowa 8 stopy	8 stóp	/	1	/	1
	Deska jastrychowa 1 1 stopy	1 1 stopa	/	/	1	1
3	Zwykła podkładka	M12	2	2	2	2
4	Śruba	M12x4 0 _	2	2	2	2
5	Zwykła podkładka	M12	2	2	2	2
6	Podkładka sprężysta	M12	2	2	2	2
7	Nakrętka kołpakowa	M12	2	2	2	2



## Schemat eksplozji



NIE.	Opisy	Ilość	Rozmiar lub wymiar
1	Uchwyt do spawania	1	ZPJ-25A.2
2	Blok zaciskowy	1	ZPJ-25,9

3	Blok zaciskowy	1	ZPJ-25.10
4	Wał sworzniowy	1	GB/T882-B6*35
5	Guma wspierająca uchwyt	6	TVSA-T.18
6	Uchwyt do spawania	1	ZPJ-25A.1
7	Rura wspierająca uchwyt	1	ZPJ-25.12
8	Płyta silnika	1	ZPJ-25A.3
9	Śruba	4	GB/T70.1-M6*30-10.9
10	Zespół obudowy sprzęgła	1	TVSA-T.15
11	Drut	1	TVSA-T.16
12	Gumowy wąż	1	TVSA-T.17
13	Zespół obudowy wibracyjnej	1	TVSA-T.14
14	Orzech	2	GB/T6170-M12
15	Zwykła podkładka	2	GB/T97.1-φ12
16	Podkładka sprężysta	2	GB/T93-φ12
17	Śruba	2	GB/T5783-M12*40

## Lista części

NIE.	Nazwa	Zdjęcie	Ilość
1	Klucz sześciokątny (S=4)	A black hex key with a length of 40mm and a width of 4mm.	1
2	Klucz sześciokątny (S=6)	A black hex key with a length of 40mm and a width of 6mm.	1
3	Klucz nasadowy	A silver-colored hex key bit with a length of 40mm and a width of 6mm.	

4	Klucz uniwersalny (S=18)		2
5	śrub z łbem sześciokątnym (M12*40)		2
6	podręcznik		1
7	Deklaracja emisji		1

## Rozwiązywanie problemów

Przed zwróceniem się z problemem do personelu serwisowego, w tym do lokalnego sprzedawcy, prosimy sprawdzić poniższą listę. Jeżeli po rozwiązaniu problemu opisanym poniżej problem będzie się powtarzał, skontaktuj się z lokalnym sprzedawcą w celu uzyskania przyszłej pomocy.

Awaria	Możliwa przyczyna	Środek zaradczy
Wibracje są niewystarczające, przez co posadzka betonowa nie może zostać odpowiednio wypoziomowana i wygładzona.	Siła odśrodkowa jest zbyt mała.	Zwiększ prędkość silnika.
	Wzdłuż krawędzi natarcia płyty znajduje się nadmierna ilość betonu.	Usuń nadmiar betonu z deski.
	Wybrana szerokość deski jest za duża	Pracuj z mniejszą deską.
Beton wygląda „FALISTA”, gdy	Operator porusza się zbyt wolno	Idź do tyłu w szybszym tempie.

przechodzi nad nim płyta jastrychowa	Za duże wibracje jak na rodzaj betonu	Zmniejsz prędkość silnika i idź do tyłu w szybszym tempie.
Pozostawianie WYSOKICH lub NISKICH plam podczas wylewki na mokro.	Beton za wysoki lub za niski z jednej strony?	Poproś pracowników o kształtowanie betonu możliwie najbliżej stopnia. Przez cały czas należy utrzymywać około 1 cala betonu z przodu deski.
Deska wbija się w mokry beton.	Czy tablica jest umieszczona prawidłowo?	Każdy koniec deski musi jechać po tej samej powierzchni. Każdy koniec deski opiera się na formach lub betonie (mokrym jastrychu), a nie na obu.

**Producent:** Shanghai muxinmuyeyouxiangongsi

**Adres:** Baoshanqu Shuangchenglu 803long 11hao 1602A-1609shi  
Szanghaj

**Import do AUS:** SIHAO PTY LTD.1 ROKEVA STREETEASTWOOD NSW  
2122 Australia

**Import do USA:** Sanven Technology Ltd. Suite 250, 9166 Anaheim Place,  
Rancho Cucamonga, Kalifornia 91730

**PRZEDSTAWICIEL WE:** SHUNSHUN GmbH.

Römeräcker 9 Z2021,76351 Linkenheim-Hochstetten, Niemcy

Tel: +49 1727041930 euvertreter@gmail.com

**REPUBLIKA Wielkiej Brytanii:** Pooledas Group Ltd

Jednostka 5 Albert Edward House, The Pavilions Preston, Wielka Brytania

Tel: 01772418127 Pooledas123@gmail.com

**Wyprodukowano w Chinach**



**VEVOR**<sup>®</sup>

**TOUGH TOOLS, HALF PRICE**

**Techniczny Certyfikat wsparcia i e-gwarancji**

**[www.vevor.com/support](http://www.vevor.com/support)**

# **VEVOR<sup>®</sup>**

**TOUGH TOOLS, HALF PRICE**

Technisch Ondersteuning en e-garantiecertificaat [www.vevor.com/support](http://www.vevor.com/support)

## **BETONNEN DEKVLOER**

**MODEL: ZPJ-25A-6, ZPJ-25A-8, ZPJ-25A-11**  
**ZPJ-25A-6/8/11**

We continue to be committed to provide you tools with competitive price.

"Save Half", "Half Price" or any other similar expressions used by us only represents an estimate of savings you might benefit from buying certain tools with us compared to the major top brands and does not necessarily mean to cover all categories of tools offered by us. You are kindly reminded to verify carefully when you are placing an order with us if you are actually saving half in comparison with the top major brands.





# VEVOR<sup>®</sup>

TOUGH TOOLS, HALF PRICE

## CONCRETE SCREED

MODEL: MODEL: ZPJ-25A-6, ZPJ-25A-8, ZPJ-25A-11  
ZPJ-25A-6/8/11



### NEED HELP? CONTACT US!

Have product questions? Need technical support? Please feel free to contact us:

**Technical Support and E-Warranty Certificate**  
[www.vevor.com/support](http://www.vevor.com/support)

This is the original instruction, please read all manual instructions carefully before operating. VEVOR reserves a clear interpretation of our user manual. The appearance of the product shall be subject to the product you received. Please forgive us that we won't inform you again if there are any technology or software updates on our product.

# BELANGRIJKE VEILIGHEIDSMATREGELEN



**WAARSCHUWING:** Lees en begrijp deze gehele handleiding voordat u dit product bedient of onderhoudt. Het niet opvolgen van deze waarschuwingen en instructies kan persoonlijk letsel of schade aan waardevolle eigendommen veroorzaken.

## Beoogd

## gebruik

Deze dekvloer maakt gebruik van trillingen door een dekvloerplaat om aggregaat in te bedden en luchtbellens in beton te verminderen, waardoor de platen sterker worden. Het kan worden gebruikt met verschillende planklengtes, waaronder 6ft, 8ft, 10ft, 12ft en 14ft, op vloerplaten, wegen, bestrating of parkeerterreinen. Vervangende planken en planken in andere lengtes worden afzonderlijk verkocht — zie de pagina met technische specificaties voor onderdeelnummers.

Krachtbron. De dekvloer wordt aangedreven door een benzinemotor.

Benodigheden. Bij normaal gebruik moet u het volgende leveren:

- Benzine
- Motor olie
- Persoonlijke beschermingsmiddelen

Zie het hoofdstuk 'Specificaties' van deze handleiding of de Motorhandleiding voor meer details.

## Technische specificaties

### Dekvloer hoofd

<b>Model</b>	ZPJ-25A
<b>Motor</b>	140FA
<b>Drijfveer _ systeem</b>	Flexibele as
<b>Gewicht _</b>	18 kg
<b>Type</b>	4-takt, gehoorde nokkenas, 1 cilinder

- De waarschuwingen, waarschuwingen en instructies in deze handleiding kunnen niet alle mogelijke omstandigheden of situaties dekken die zich kunnen voordoen. Gebruik uw gezond verstand en voorzichtigheid bij het gebruik van dit hulpmiddel. Altijd wees bewust van het milieu en zorg ervoor dat het gereedschap op een veilige en verantwoorde manier wordt gebruikt manier.
- Laat personen dit product NIET monteren of bedienen voordat zij deze handleiding hebben gelezen en een grondig begrip hebben ontwikkeld van hoe het product werkt werken.
- Gebruik het juiste gereedschap voor de klus. Probeer NIET kleine apparatuur te dwingen het werk van grotere industriële apparatuur te doen. Er zijn bepaalde toepassingen waarvoor deze apparatuur is ontworpen. Het het werk beter en veiliger zal doen op de capaciteit waarvoor het bedoeld is. Gebruik deze apparatuur NIET voor een doel waarvoor deze niet bedoeld is bedoeld.
- Industriële of commerciële toepassingen moeten OSHA volgen vereisten.

**⚠ WARNING**

- Een deel van het stof dat vrijkomt bij machinaal schuren, zagen, slijpen, boren en andere bouwactiviteiten bevat chemicaliën waarvan bij de staat Californië bekend is dat ze kanker, geboortefwijkingen of andere reproductieve schade veroorzaken. Enkele voorbeelden van deze chemicaliën Zijn:
  - lood uit loodhoudende verven,
  - kristallijn silica uit baksteen, cement en andere metselwerkproducten, en
  - arseen en chroom uit chemisch oogpunt behandeld timmerhout.Uw risico als gevolg van deze blootstelling varieert, afhankelijk van hoe vaak u dit soort werk doet. Om uw blootstelling aan deze chemicaliën te verminderen , moet u in een goed geventileerde ruimte werken en werken met goedgekeurde veiligheidsuitrusting, zoals stofmaskers die speciaal zijn ontworpen om microscopisch kleine deeltjes eruit te filteren .
- Als u met het netsnoer van producten met snoer werkt, kunt u worden

blootgesteld aan lood, een chemische stof waarvan bekend is dat deze voorkomt de staat Californië om kanker, geboortefwijkingen of andere reproductieve schade te veroorzaken. Was daarna de handen afhandeling .

## **⚠ WARNING**

### **VEILIGHEID VAN DE WERKGEBIED**

- Inspecteer het werkgebied vóór elk gebruik. Houd de werkplek schoon, droog, vrij van rommel en goed verlicht . Rommelige, natte of donkere werkruimtes kunnen leiden tot blessure.
- Gebruik de Screed niet op plaatsen waar het risico bestaat dat er brand of een explosie ontstaat; bijvoorbeeld in de aanwezigheid van brandbare vloeistoffen, gassen of stof.
- Zorg ervoor dat het gereedschap niet in contact komt met een elektrische bron. Het gereedschap is niet geïsoleerd , en contact veroorzaakt elektriciteit schok.
- Houd kinderen en omstanders uit de buurt van het werkgebied terwijl u de balk bedient. Niet doen laat kinderen ermee omgaan Dekvloer.

• Houd rekening met alle elektriciteitsleidingen, elektrische circuits, waterleidingen en andere mechanische gevaren in de omgeving jouw werkgebied. Sommige van deze gevaren kunnen aan uw zicht onttrokken zijn en kunnen persoonlijk letsel en/of materiële schade veroorzaken gecontacteerd.

## **⚠ WARNING**

### **PERSOONLIJKE VEILIGHEID**

- Blijf alert, let op wat u doet en gebruik uw gezond verstand bij het bedienen van de Screed. Doen Gebruik de Screed niet als u moe bent of onder invloed bent van drugs, alcohol of medicatie.
- Kleed u naar behoren. Draag geen losse kleding, bungelende voorwerpen of sieraden. Houd uw haar, kleding en handschoenen uit de

buurt van bewegende delen. Losse kleding, sieraden of lang haar kunnen hierin verstrikt raken Bewegende onderdelen.

- Gebruik een ANSI Z87.1-goedgekeurde veiligheidsbril of een veiligheidsbril met zijschermen, of indien nodig een gelaatsscherm. Gebruik een stofmasker in stoffige werkomstandigheden. Gebruik ook antislip veiligheidsschoenen, hard hoeden , handschoenen, stofopvangsystemen en gehoorbescherming indien nodig. Dit geldt voor alle personen die werkzaam zijn gebied.
- Overdrijf niet. Zorg ervoor dat u goed staat en in evenwicht blijft keer.
- Verwijder de stelsleutels of sleutels voordat u de balk start. Een moersleutel of sleutel dus als u deze aan een draaiend deel van de balk laat zitten, kan dit persoonlijk letsel veroorzaken blessure.
- Niet roken, lucifers of open vuur rond de machine. Brandstof wel brandbaar.
- Raak niet heet aan oppervlakken.
- Motor uitlaat bevat koolstof koolmonoxide.Dit is A vergiftig je kan niet zien of geur. NOOIT gebruik .

## **GEBRUIK EN VERZORGING VAN DE GELEIDER**

- Forceer de Screed niet om een andere handeling uit te voeren dan waarvoor deze bedoeld is. Dekvloeren presteren beter en veiliger als ze worden gebruikt op de manier waarvoor ze zijn ontworpen. Plan uw werk en gebruik de juiste dekvloer voor de functie.
- Controleer vóór elk gebruik op beschadigde onderdelen. Controleer zorgvuldig of de Screed werkt correct te gebruiken en de beoogde functie uit te voeren. Vervang beschadigde of versleten onderdelen onmiddellijk. Gebruik de balk nooit als deze beschadigd is deel.
- Bewaar de Screed wanneer deze niet in gebruik is. Bewaar het op een droge, veilige plaats, buiten het bereik van kinderen. Inspecteer de dekvloer op goede werking vóór opslag en daarvoor hergebruik . \_
- Gebruik alleen accessoires die door de fabrikant worden aanbevolen voor gebruik met de Screed. Accessoires die geschikt kunnen zijn voor de ene balk kunnen bij gebruik met een andere balk een risico op letsel met zich

meebrengen.

- Houd de bewakers op hun plaats en tijdens het werk volgorde.
- Bewaar het dekvloerbord schoon.
- Laat de Screed niet draaien onbeheerd.
- Sluit de brandstofklep als de motor niet draait gebruik.
- Gebruik alleen de aanbevolen brandstof om schade aan de brandstof te voorkomen apparatuur.
- Olie wordt niet bij de machine geleverd. Voeg vóór de eerste olie toe aan de motor gebruik.
- Controleer het oliepeil voordat u de machine gebruikt machine.
- Vul de motor NIET bij terwijl deze nog heet is. Brandstof is brandbaar.
- Voer GEEN onderhoud uit aan de motor terwijl deze stilstaat heet.

## **Specifieke bedieningswaarschuwingen**

### **Om een dodelijk ongeval te voorkomen**

- Zet de motor af voordat u gaat tanken en zorg ervoor dat u tijdens het tanken geen brandstof morst. Gemorst brandstof kan ontbranden en brand veroorzaken.
- Vul de motor niet bij in de buurt van brandbare voorwerpen om dit te voorkomen vuur.
- Laat de motor niet draaien in afgesloten ruimtes om koolmonoxide te voorkomen vergiftiging.

### **Om de operator te beschermen**

- Bij vermoeidheid door het gebruik moet de machinist de machine stoppen en nemen pauze.
- Gehoorbescherming is vereist omdat deze machine geluidsemisatie veroorzaakt op een afstand van 1 m (3 voet). apparatuur.

### **Om letsel of schade te voorkomen**

- De trilplaten worden uitsluitend bediend door bevoegde personen WHO:
- minimaal 18 jaar oud zijn leeftijd.
- fysiek en mentaal in staat zijn om de machine te bedienen dekvloer.

- goed zijn opgeleid in de bediening en het onderhoud van de balk door de eigenaar of het is geautoriseerd vertegenwoordiger.
- wordt beoordeeld of zij hun taken kunnen uitvoeren betrouwbaar.
- Mensen die alcoholische dranken drinken en /of drugs gebruiken, mogen niet opereren het bord compactor.
- Het is mensen niet toegestaan de gevarezone van de luchthaven te betreden dekvloer.
- De operator moet de gevarezone voortdurend in de gaten houden. Het is niet toegestaan om te opereren als dat wel het geval is een persoon in gevaar zone.
- In geval van een noodsituatie moet de exploitant waarschuwingssignalen geven situatie.
- De dekvloer kan alleen worden gebruikt als er voldoende stabiliteit is toegekend.
- De operator moet tijdens het gebruik de loopsnelheid van de balk voortdurend controleren, zodat de balk op elk moment kan worden gestopt. tijd.
- De operator moet de balk volledig uitschakelen zoals beschreven in deze handleiding voordat hij vertrekt de bedieningspositie. Bovendien moet de dekvloer worden beveiligd tegen onbevoegd gebruik gebruik.
- Tijdens het onderhoud moet de motor uitgeschakeld zijn en tegen opnieuw starten beveiligd zijn door de bougiestekker uit het stopcontact te trekken onderhoud.
- De exploitant moet de dekvloer vooraf controleren op functies en zichtbare gebreken gebruik.
- Ontdekte gebreken moeten aan het toezichthoudend personeel en aan de exploitant worden gemeld. Niet doen laat de gebreken achter die ernstig letsel aan het apparaat kunnen veroorzaken exploitant.
- Gebruik de balk niet als een defect de veiligheid van de bediener in gevaar brengt totdat het defect optreedt wordt verholpen.
- De dekvloer moet regelmatig (minstens één keer per jaar) door een deskundige worden gecontroleerd . En het moet vóór het eerste gebruik en na het essentiële door een deskundige worden gecontroleerd wijziging.

- Tijdens de operatie moet de operator andere objecten binnen een straal van 20 meter in de gaten houden voor het geval dat van verlichting.
- De dekvloer genereert mechanische warmte, dus raak de behuizing van de motor, de uitlaatdemper of iets anders niet aan onderdelen tijdens de werking, die hitteverbranding kunnen veroorzaken. Wacht tot het is afgekoeld aanraken.

- De machinist moet volledig zijn uitgerust met veiligheidsuitrusting, waaronder een valhelm, veiligheidshandschoenen, veiligheidsschoenen, veiligheidsbril en masker voordat hij de machine bedient dekvloer.
- Transporteer de balk niet met brandstof in de brandstoftank via de motor voertuig.
- Til de balk niet door iemand op tijdens het op- en afstappen van het voertuig. Gebruik altijd een goede hijskraan om te verplaatsen. Als iemand het apparaat optilt, kan dit persoonlijk letsel veroorzaken omdat het zwaar is gewicht.
- Zorg ervoor dat u de dekvloer stevig vastmaakt voor transport. Onjuiste bevestiging, aangezien het vasthouden van de hendel van de balk tijdens het transport een beschadiging kan veroorzaken blessure.
- Opmerking: Raadpleeg de instructiehandleiding van de motor als er een probleem is of als er vragen over zijn vóór of tijdens de werking ervan.

## Montage-instructies

### Dekvloer montage



Lijn het mes uit met de montage.



Bevestig ringen, borgschroeven en bouten.



Herhaal stap 2 voor het tweede gat.



Sluit de gaskabel aan op de motor.

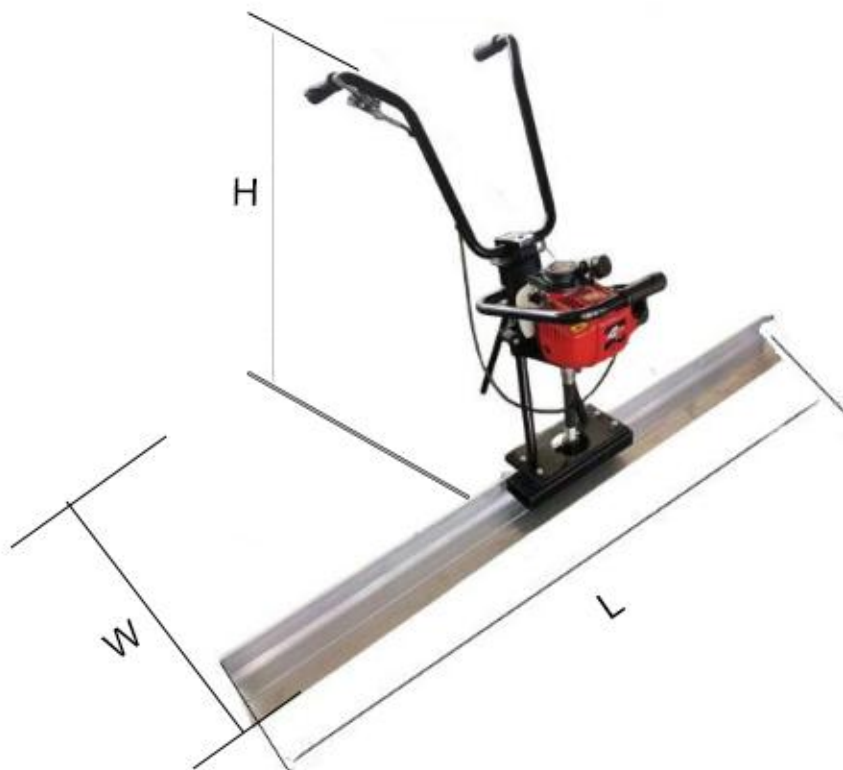


Zoek de gaspedaalschroef op de motor en plaats de kabel door de opening.



Draai vast en zorg ervoor dat wanneer u aan de gashendel trekt, de kabel in de motor grijpt.

## Dimensie



Model	L(mm)	B(mm)	H(mm)
ZPJ-25A-6	1830	670	730-1060
ZPJ-25A-8	2445	670	730-1060
ZPJ-25A-11	3370	670	730-1060
ZPJ-25A-6/8/11	3370	670	730-1060

## Vóór elk gebruik

### Vorbereiding voor gebruik

- 1) Controleer alle bouten, moeren en bouten en draai de losse vast.
- 2) Zorg voor de gewenste lengte van de dekvloer bord.

## **Aanbevolen Brandstof**

1) De balkmotor heeft gewone loodvrije benzine nodig. Gebruik alleen verse, schone brandstof. Brandstof water of vuil bevat, zal het brandstofsysteem beschadigen. Raadpleeg de handleiding van de motor voor de volledige brandstofspecificaties .

## **Voordat u de motor start**

- 1) Lees en begrijp de veiligheids- en bedieningshandleiding voor de motor.
- 2) Controleer:
  - Oliepeil binnen motor.
  - Brandstof niveau.
  - Conditie van de lucht schoner.
  - Strakheid van extern bevestigingsmiddelen.
  - Staat van brandstof lijnen.
  - Slijtage van vonk stekker .

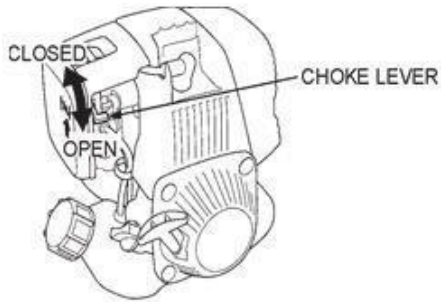
## **Gebruiksaanwijzing**

### **⚠ WARNING**

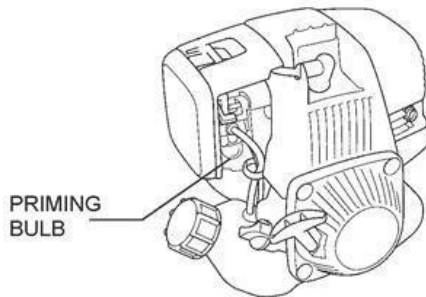
Lees en begrijp zowel de gebruikershandleiding van de balk (deze handleidingen) als de handleiding van de motor voordat u de balk start of bedient, om onjuiste bediening te voorkomen die tot schade of letsel kan leiden.

## **Het starten van de motor**

1. Voer alle handelingen vóór elk gebruik uit stappen.
2. Om een koude motor te starten, zet u de chokehendel in de GESLOTEN stand. Als u een warme motor opnieuw start, laat u de chokehendel op OPEN staan positie.

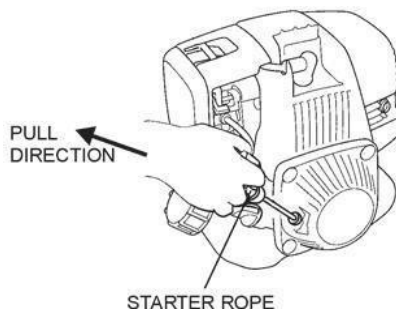


3. Druk herhaaldelijk op de ontluiftingsbol totdat er brandstof zichtbaar is in het doorzichtige plastic lamp.



4. Beweeg de gashendel iets in de richting van de pijl.

5. Trek lichtjes aan het startkoord (Figuur 03) totdat u weerstand voelt, en trek dan krachtig in de richting van de pijl. Breng het startkoord terug voorzichtig.



6. Zodra de motor is gestart, opent u de choke en laat u de motor 3 tot 5 minuten stationair draaien opwarmen.

## Operatie

Lees en begrijp de gebruikershandleidingen van zowel de motor als de compactor voordat u de compactor start of gebruikt, om onjuiste bediening te voorkomen die tot schade of letsel kan leiden.

**Opmerking:** wanneer ooit hoog snelheid operatie is NIET vereist, langzaam de motor door in beweging de gaspedaal hefboom naar A lage positie naar redden brandstof En verlengen de leven van de apparatuur.

1. Zodra de motor is gestart en opgewarmd, opent u de gashendel volledig in de richting van de pijl om de motor te bedienen dekvloer.
2. Beweeg de dekvloer langzaam naar achteren en let op glad beton vóór de vloer dekvloer.

### Het stoppen van de motor

Schakel in een noodsituatie onmiddellijk de motorschakelaar uit. Onder normale omstandigheden mag u de motor niet stoppen wanneer de balk op hoge snelheid draait, anders zal de motortemperatuur plotseling stijgen, waardoor mogelijk motoronderdelen vastlopen of de olie verslechtert.

**Let op:** Om de motor in een noodgeval te stoppen, drukt u eenvoudigweg op de noodstop-schakelaar op de hendel.

### Om de motor normaal te stoppen:

1. Verlaag het motortoerental door de gashendel volledig in de tegenovergestelde richting van de pijl te bewegen en laat de motor 2 - 3 minuten stationair draaien voordat u hem draait uit.
  2. Druk op de noodstop-schakelaar op de hendel.
- Raadpleeg de instructiehandleiding van de motor voor meer gedetailleerde informatie.

## Na elk gebruik

## **Schoon omhoog**

Reinig de dekvloer en dekvloerplaat. Maak de dekvloer en dekvloer schoon met water om al het beton te verwijderen, maar zorg ervoor dat de motor niet nat wordt. De dekvloerplaat kan dun worden ingesmeerd met dieselbrandstof om roest te helpen voorkomen en het beton gemakkelijker te kunnen verwijderen.

Reinig de koelribben van de motorcilinder. Een bezem of oude borstel zijn goede hulpmiddelen om beton te verwijderen voordat het vast wordt. Raadpleeg de motorhandleiding voor meer informatie over de motor.

## **Opslag**

Bij langdurige opslag van de dekvloer en plaat (meer dan 30 dagen):

- 1) Reinig de dekvloer zoals beschreven boven.
- 2) Verwijder de plaat van de dekvloer zoals hierin beschreven handmatig.
- 3) Tap de brandstoftank af en laat de motor kort draaien totdat de brandstof volledig in de brandstof in de carburateur zit geconsumeerd
- 4) Ververs de motorolie en volg de procedures beschreven in de motorhandleiding voor de motor opslag.
- 5) Reinig of ververs de motorlucht filter.
- 6) Bewaar de dekvloer en plaat afzonderlijk op een schone, droge plaats gebied.
- 7) Bedek de dekvloer en plaat volledig met droog materiaal lap.

## **Onderhoud**

Controleer of de motor van de compactor is uitgeschakeld en afgekoeld voordat u onderhoud, reiniging of inspectie uitvoert. Het uitvoeren van onderhoud aan een werkende compactor kan letsel veroorzaken.

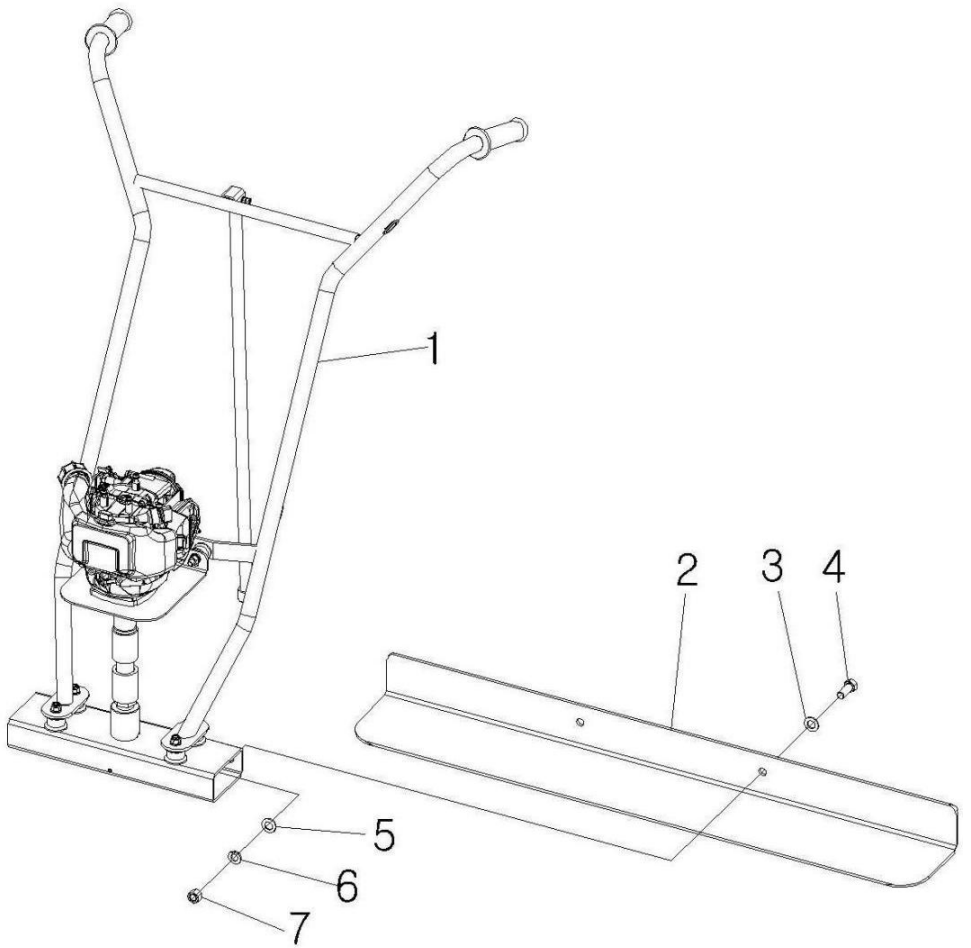
Onderhoud de dekvloer door een zorgvuldig reparatie- en onderhoudsprogramma te volgen in overeenstemming met de volgende aanbevolen procedures: Raadpleeg ook de instructiehandleiding van de motorfabrikant voor aanvullende informatie over motoronderhoud. Het

volgende diagram is gebaseerd op een normaal bedrijfsschema.

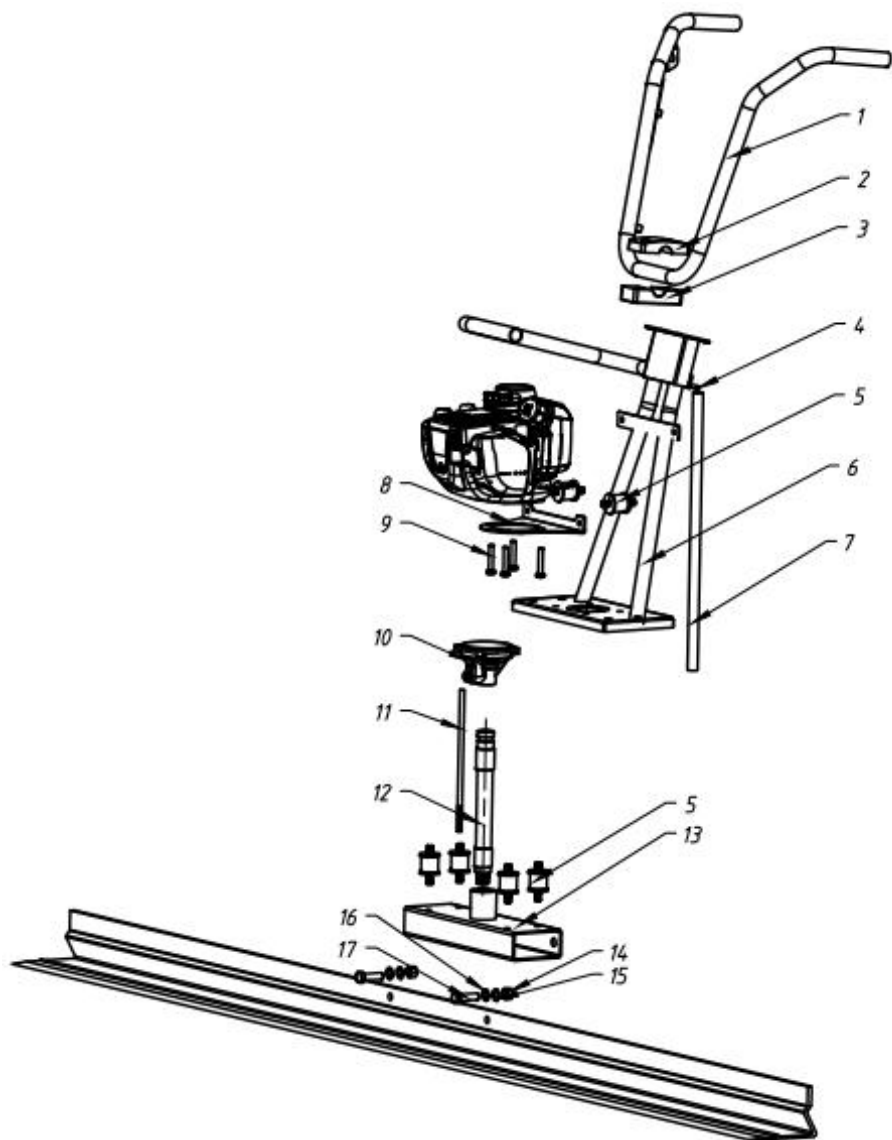
Onderhoudsinterval	Onderhoudspunt
Dagelijks vóór gebruik	Controleer het brandstofpeil. Controleer het motoroliepeil. Inspecteer de brandstofleidingen. Inspecteer het luchtfilter en vervang het indien nodig. Controleer de externe hardware en draai deze vast.
Na de eerste 20 bedrijfsuren of 3 maanden	Ververs de motorolie.
Na de eerste 50 bedrijfsuren of elke 6 maanden	Reinig het luchtfilterelement. Ververs de motorolie. Controleer en reinig de bougie.
Na de eerste 100 bedrijfsuren of elke keer jaar	Maak de brandstofzeef schoon.
Na de eerste 200 bedrijfsuren of elke 2 jaar	Controleer de klepspeling en pas deze aan. Reinig de cilinderkop. Vervang de bougie.

Ne e.	Beschrijvingen	Grootte of afmeting	Aantal			
			Passend model			
			ZPJ-2 5A- 6	ZPJ-2 5A-8	ZPJ- 25A- 11	ZPJ-2 5A-6/8 /11
1	Concreet Dekvloer hoofd		1	1	1	1

2	Dekvloer 6 ft	6 ft	1	/	/	1
	Dekvloerplaat 8 ft	8 voet	/	1	/	1
	Dekvloerplaat 1 1 ft	1 1 voet	/	/	1	1
3	Gewone wasmachine	M12	2	2	2	2
4	Bout	M12x 4 0	2	2	2	2
5	Gewone wasmachine	M12	2	2	2	2
6	Veerring	M12	2	2	2	2
7	Dopmoer	M12	2	2	2	2



## Explosiediagram



Nee.	Beschrijvingen	Aantal	Grootte of afmeting
1	Handvat lasmontage	1	ZPJ-25A.2
2	Klemblok	1	ZPJ-25.9

3	Klemblok	1	ZPJ-25.10
4	Pin-as	1	GB/T882-B6*35
5	Handvatsteunrubber	6	TVSA-T.18
6	Handvat lasmontage	1	ZPJ-25A.1
7	Handvatsteunpijp	1	ZPJ-25.12
8	Motorplaat	1	ZPJ-25A.3
9	Bout	4	GB/T70.1-M6*30-10.9
10	Montage koppelingshuis	1	TVSA-T.15
11	Draad	1	TVSA-T.16
12	Tuinslang	1	TVSA-T.17
13	Trilhuisconstructie	1	TVSA-T.14
14	Noot	2	GB/T6170-M12
15	Gewone wasmachine	2	GB/T97.1-φ12
16	Veerring	2	GB/T93-φ12
17	Bout	2	GB/T5783-M12*40

## Onderdelen lijst

Nee.	Naam	Afbeelding	Aantal
1	Inbussleutel (S=4)	A black L-shaped hex key with a 4mm square end.	1
2	Inbussleutel (S=6)	A black L-shaped hex key with a 6mm square end.	1
3	Dopsleutel	A silver-colored hex key with a hexagonal end and a hole in the shaft.	

4	Dubbele steeksleutel (S=18)		2
5	Zeskantschroevenset (M12*40)		2
6	Handmatig		1
7	Emissieverklaring		1

## Probleemoplossen

Controleer de onderstaande lijst voordat u de problemen aan onderhoudspersoneel, inclusief de plaatselijke dealer, voorlegt. En als het probleem zich blijft voordoen na het oplossen van problemen zoals hieronder beschreven, neem dan contact op met uw plaatselijke dealer voor toekomstige hulp.

Mislukking	Mogelijke oorzaak	Herstelmaatregel
Tilt onvoldoende waardoor de betonvloer niet goed geëgaliseerd en geëgaliseerd kan worden.	De middelpuntvliedende kracht is te laag.	Verhoog het motortoerental.
	Er zijn buitensporige hoeveelheden beton langs de voorrand van het bord.	Verwijder het overtollige beton van het bord.
	De gekozen breedte van het bord is te groot	Werk met een kleiner bord.

Beton ziet er "GOLVEND" uit als de dekvloer eroverheen gaat	Operator beweegt te langzaam	Loop in een sneller tempo achteruit.
	Te veel trillingen voor het type beton	Verlaag het motortoerental en loop sneller achteruit.
Laat HOGE of LAGE plekken achter tijdens het nat afwerken.	Beton aan één kant te hoog of te laag?	Laat de werknemers het beton zo dicht mogelijk bij de kwaliteit vormen. Houd te allen tijde ongeveer 2,5 cm beton aan de voorkant van het bord aan.
Board graaft in nat beton.	Is het bord correct gepositioneerd?	Elk uiteinde van het board moet op hetzelfde oppervlak rijden. Ofwel elk uiteinde van de plank rijdt op bekistingen of op beton (natte dekvloer), niet op beide.

**Fabrikant:** Shanghaimuxinmuyeyouxiangongsi

**Adres:** Baoshanqu Shuangchenglu 803long 11hao 1602A-1609shi  
Shanghai

**Geïmporteerd naar AUS:** SIHAO PTY LTD.1 ROKEVA  
STREETEASTWOOD NSW 2122 Australië

**Geïmporteerd naar de VS:** Sanven Technology Ltd. Suite 250, 9166  
Anaheim Place, Rancho Cucamonga, CA 91730

**EG-REP:** SHUNSHUN GmbH.

Römeräcker 9 Z2021,76351 Linkenheim-Hochstetten, Duitsland

Tel: +49 1727041930 euvertreter@gmail.com

**VK REP:** Pooledas Group Ltd

Eenheid 5 Albert Edward House, The Pavilions Preston, Verenigd  
Koninkrijk

Tel: 01772418127 pooledas123@gmail.com

**Gemaakt in China**





**VEVOR<sup>®</sup>**

**TOUGH TOOLS, HALF PRICE**

**Technisch Ondersteuning en e-garantiecertificaat**

**[www.vevor.com/support](http://www.vevor.com/support)**

# **VEVOR<sup>®</sup>**

## **TOUGH TOOLS, HALF PRICE**

Teknisk Support och e-garanticertifikat [www.vevor.com/support](http://www.vevor.com/support)

## **BETONGMASSA**

**MODELL: ZPJ-25A-6, ZPJ-25A-8, ZPJ-25A-11  
ZPJ-25A-6/8/11**

We continue to be committed to provide you tools with competitive price.

"Save Half", "Half Price" or any other similar expressions used by us only represents an estimate of savings you might benefit from buying certain tools with us compared to the major top brands and does not necessarily mean to cover all categories of tools offered by us. You are kindly reminded to verify carefully when you are placing an order with us if you are actually saving half in comparison with the top major brands.





# VEVOR®

TOUGH TOOLS, HALF PRICE

## CONCRETE SCREED

MODELL: MODELL: ZPJ-25A-6, ZPJ-25A-8, ZPJ-25A-11  
ZPJ-25A-6/8/11



### NEED HELP? CONTACT US!

Have product questions? Need technical support? Please feel free to contact us:

**Technical Support and E-Warranty Certificate**  
[www.vevor.com/support](http://www.vevor.com/support)

This is the original instruction, please read all manual instructions carefully before operating. VEVOR reserves a clear interpretation of our user manual. The appearance of the product shall be subject to the product you received. Please forgive us that we won't inform you again if there are any technology or software updates on our product.

# VIKTIGA SÄKERHETSÅTGÄRDER



**VARNING:** Läs och förstå hela denna manual innan du använder eller servar denna produkt. Underlåtenhet att följa dessa varningar och instruktioner kan orsaka personskada eller skada på värdefull egendom.

## Avsedd

## användning

Denna avjämningsmassa använder vibrationer genom en avjämningsbräda för att bädda in aggregat och minska lufthåligheter i betong, vilket gör plattorna starkare. Den kan användas med en mängd olika brädlängder, inklusive 6 fot, 8 fot, 10 fot, 12 fot och 14 fot, på plattgolv, vägar, trottoarer eller parkeringsplatser. Ersättningstavlor och skivor i andra längder säljs separat — se sidan med tekniska specifikationer för artikelnummer.

Kraftkälla. Skriden drivs av en bensinmotor.

Tillbehör krävs. Normal drift kräver att du tillhandahåller:

- Bensin
- Motorolja
- Personlig skyddsutrustning

Se avsnittet "Specifikationer" i denna handbok eller motorhandboken för mer information.

## Tekniska specifikationer

### Avjämningshuvud

<b>Modell</b>	ZPJ-25A
<b>Motor</b>	140FA
<b>Kör _ systemet</b>	Flexibelt skaft
<b>W åtta</b>	18 kg
<b>Typ</b>	4-takt, överhörd kamaxel, 1 cylinder

- Varningarna, varningarna och instruktionerna i denna handbok kan inte täcka alla möjliga tillstånd eller situationer som kan uppstå. Iaktta sunt förnuft och försiktighet när du använder detta verktyg. Alltid vara medveten om miljön och se till att verktyget används på ett säkert och ansvarsfullt sätt.
- Tillåt INTE personer att montera eller använda denna produkt förrän de har läst denna manual och har utvecklat en grundlig förståelse för hur produkten Arbetar.
- Använd rätt verktyg för jobbet. Försök INTE att tvinga liten utrustning att utföra arbetet med större industriell utrustning. Det finns vissa tillämpningar som denna utrustning är designad för. Det kommer att göra jobbet bättre och säkrare med den kapacitet som det var avsett för. ANVÄND INTE denna utrustning för ett ändamål som den inte var för avsedd.
- Industriella eller kommersiella tillämpningar måste följa OSHA krav.

**⚠ WARNING**

• En del damm som skapas av kraftslipning, sågning, slipning, borring och andra byggnadsaktiviteter innehåller kemikalier som i delstaten Kalifornien är kända för att orsaka cancer, fosterskador eller andra reproduktionsskador. Några exempel på dessa kemikalier är:

- bly från blybaserade färger,
- kristallin kiseldioxid från tegel och cement och andra murverksprodukter, och
- arsenik och krom från kemiskt behandlad virke.

Din risk från dessa exponeringar varierar beroende på hur ofta du utför den här typen av arbete. För att minska din exponering för dessa kemikalier, arbeta i ett välventilerat utrymme och arbeta med godkänd säkerhetsutrustning, såsom dammmasker som är speciellt utformade för att filtrera bort mikroskopiska delar .

- Om du hanterar nätsladden på produkter med sladd kan du utsättas för bly, en kemikalie som du känner till delstaten Kalifornien för att orsaka cancer och fosterskador eller andra reproduktionsskador. Tvätta händerna

efteråt hantering .

## **⚠ WARNING**

### **SÄKERHET FÖR ARBETSOMRÅDE**

- Inspektera arbetsområdet före varje användning. Håll arbetsområdet rent, torrt, fritt från skräp och väl upplyst . Belamrade, våta eller mörka arbetsområden kan resultera i skada.
- Använd inte screed där det finns risk att orsaka brand eller explosion; t.ex. i förekomst av brandfarliga vätskor, gaser eller damm.
- Låt inte verktyget komma i kontakt med en elektrisk källa. Verktyget är inte isolerat , och kontakt kommer att orsaka elektriska chock.
- Håll barn och åskådare borta från arbetsområdet när du använder skriden. Låt bli låt barn hantera Screed.

• Var medveten om alla kraftledningar, elektriska kretsar, vattenledningar och andra mekaniska faror i ditt arbetsområde. Vissa av dessa faror kan vara dolda för dig och kan orsaka personskador och/eller egendomsskador kontaktade.

## **⚠ WARNING**

### **PERSONLIG SÄKERHET**

- Var uppmärksam, titta på vad du gör och använd sunt förnuft när du använder screed. Do Använd inte screeden när du är trött eller påverkad av droger, alkohol eller medicin.
- Klä dig ordentligt. Bär inte löst sittande kläder, dinglande föremål eller smycken. Håll ditt hår, kläder och handskar borta från rörliga delar. Lösa kläder, smycken eller långt hår kan fastna i rörliga delar.
- Använd ANSI Z87.1-godkända skyddsglasögon eller skyddsglasögon med sidoskydd, eller vid behov ett ansiktsskydd. Använd en dammmask i dammiga arbetsförhållanden. Använd även halkfria skyddsskor, hårda mössor , handskar, dammuppsamlingsystem och hörselskydd när så är lämpligt . Detta gäller alla personer i arbetet område.

- Överdriv inte. Håll bra fotfäste och balans överhuvudtaget gånger.
- Ta bort justeringsnycklar eller skiftnycklar innan du startar skriden. En skiftnyckel eller nyckel alltså lämnas fäst vid en roterande del av screed kan orsaka personlig skada.
- Ingen rökning, tändstickor eller öppna lågor runt maskinen. Bränsle är brandfarlig.
- Rör inte vid varm ytor.
- Motor uttömma innehåller kol monooxid. Detta är a förgifta dig burk inte ser eller lukt. ALDRIG använda sig av .

## **ANVÄNDNING OCH SKÖTSEL AV SKRÄD**

- Tvinga inte screeden att utföra en annan operation än dess avsedda användning. Screeds gör ett bättre och säkrare jobb när de används på det sätt som de är designade för. Planera ditt arbete och använd rätt screed för jobb.
- Kontrollera före varje användning efter skadade delar. Kontrollera noga att screed fungerar korrekt och utföra sin avsedda funktion. Byt ut skadade eller slitna delar omedelbart. Använd aldrig skriden med en skadad del.
- Förvara screed när den inte används. Förvara den på en torr och säker plats utom räckhåll för barn. Inspektera screeden för gott fungerande skick före lagring och före återanvändning . \_
- Använd endast tillbehör som rekommenderas av tillverkaren för användning med screed. Tillbehör som kan vara lämpliga för en screed kan skapa en risk för skada när de används med en annan screed.
- Håll skydd på plats och i arbete beställa.
- Behåll screedbrädan rena.
- Lämna inte screeden igång utan tillsyn.
- Stäng av bränslekranen när motorn inte är igång använda sig av.
- Använd endast det rekommenderade bränslet för att undvika att skada Utrustning.
- Olja följer inte med maskinen. Fyll på olja i motorn före den första använda sig av.
- Kontrollera oljenivåerna innan du använder maskin.

- Tanka INTE motorn medan den fortfarande är varm. Bränsle är brandfarlig.
- SERVAR INTE motorn medan den står stilla varm.

## **Specifika driftvarningar**

### **För att undvika dödsolycka**

- Stanna motorn innan du tankar och var noga med att inte spilla bränsle under tankningen. Utspilld bränsle kan antändas och orsaka brand.
- Tanka inte motorn nära brännbara föremål för att undvika brand.
- Kör inte motorn i slutna utrymmen för att förhindra kolmonoxid förgiftning.

### **För att skydda operatören**

- Vid trötthet från drift måste operatören stoppa maskinen och ta ha sönder.
- Hörselskydd krävs eftersom den här maskinen skapar ett ljud när den befinner sig 1 m (3 fot) från Utrustning.

### **För att undvika skador eller skador**

- Plattkomprimatorerna används endast av behöriga personer WHO:
- är minst 18 år ålder.
- är fysiskt och mentalt kapabla att hantera screed.
- är ordentligt utbildade i drift och underhåll av skriden av ägaren eller dess auktoriserade representativ.
- bedöms kunna utföra sina uppgifter tillförlitligt.
- Människor som dricker alkoholhaltiga drycker och/eller tar droger får inte operera sig tallriken komprimator.
- Människor får inte komma in i farozonen screed.
- Operatören måste övervaka riskområdet hela tiden. Det är inte tillåtet att fungera om det finns en person i fara zon.
- Operatören måste ge varningsskyltar i händelse av en nödsituation situation.
- Skriden kan endast användas när stabiliteten är tillräcklig beviljas.
- Operatören måste kontrollera skridens körhastighet hela tiden under dess drift så att skriden kan stoppas när som helst tid.

- Operatören måste stänga av skriden helt enligt beskrivningen i denna manual innan han lämnar driftpositionen. Dessutom måste skriden säkras mot obehöriga använda sig av.
- Motorn måste stängas av och säkras mot återstart genom att dra ut tändstiftsuttaget under underhållet och underhåll.
- Operatören måste kontrollera skriden med avseende på funktioner och uppenbara defekter innan använda sig av.
- Upptäckta defekter ska rapporteras till övervakande personal och till operatören. Låt bli lämna de defekter som kan orsaka allvarliga skador på operatör.
- Använd inte skriden när en defekt äventyrar förarens säkerhet tills defekten uppstår är rättad.
- Skräcken måste kontrolleras av en expert regelbundet (minst en gång om året) . Och det måste det kontrolleras av en expert före den första användningen och efter det väsentliga modifiering.
- Under operationen måste operatören övervaka andra objekt inom en radie av 20m i fall av belysning.
- Skriden genererar mekanisk värme så rör inte vid motorkroppen, ljuddämparen eller annat delar under driften, vilket kan orsaka värmebränna. Vänta tills det svalnat till Rör.

- Operatören måste vara fullt utrustad med säkerhetsutrustning inklusive krockhjälm, skyddshandskar, skyddsskor, skyddsglasögon och mask innan han använder screed.
- Transportera inte skriden med bränsle i bränsletanken vid motorn fordon.
- Lyft inte skriden av en person när du sätter på och av fordonet. Använd alltid en lämplig lyftkran för att flytta. Personlyft kan orsaka personskador eftersom det är tungt vikt.
- Se till att fästa skriden ordentligt för transport. Felaktig fastsättning eftersom greppet på skridens handtag under transporten kan orsaka en skada.
- Obs: Se motorns bruksanvisning om det finns ett problem eller en fråga om det före eller under driften.

## Monteringsanvisningar

### Skridmontering



Rikta upp bladet med monteringen.



Fäst brickor, låsskruvar och bultar.



Upprepa steg 2 för det andra hålet.



Anslut gaskabeln till motorn.

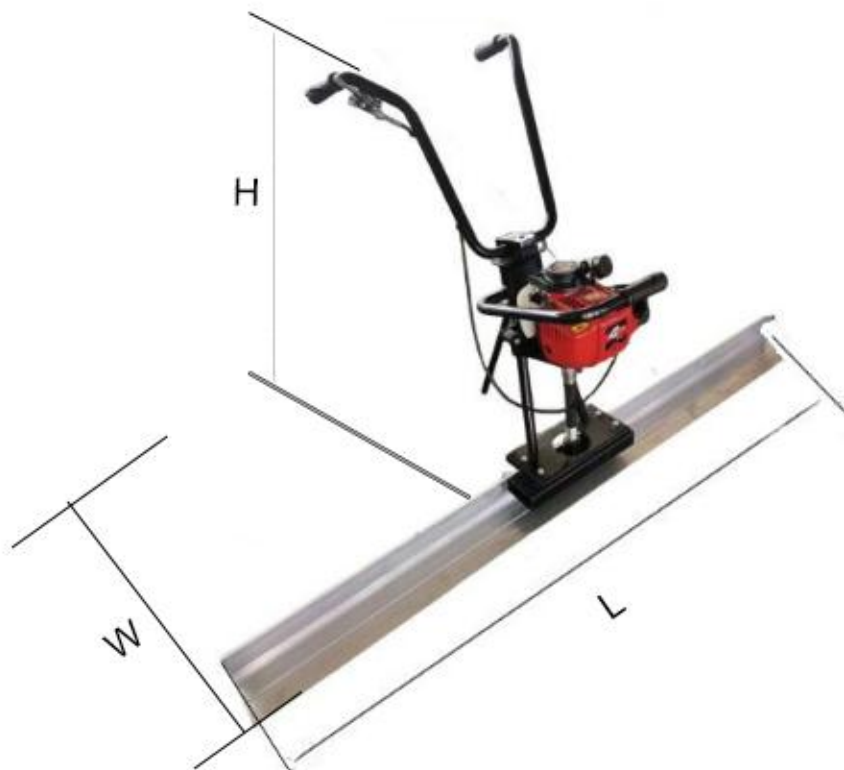


Leta reda på gasskruven som finns på motorn och placera kabeln genom springan.



Dra åt och se till att vajern kopplar in motorn när du drar i gashandtaget.

## Dimensionera



Modell	L(mm)	W(mm)	H(mm)
ZPJ-25A-6	1830	670	730-1060
ZPJ-25A-8	2445	670	730-1060
ZPJ-25A-11	3370	670	730-1060
ZPJ-25A-6/8/11	3370	670	730-1060

## Före varje användning

### Förberedelse för operation

- 1) Kontrollera alla bultar, muttrar och bultar och dra åt alla som är lösa.
- 2) Få önskad längd på skriden styrelse.

## Rekommenderad Bränsle

1) Skridmotorn kräver vanlig blyfri bensin. Använd endast färskt, rent bränsle. Bränsle som innehåller vatten eller smuts kommer att skada bränslesystemet. Se motorns instruktionsbok för fullständiga bränslespecifikationer .

## Innan motorn startas

1) Läs och förstå säkerhets- och bruksanvisningen för motor.

2) Kontrollera:

- Oljenivå in motor.
- Bränsle nivå.
- Luftens tillstånd rengöringsmedel.
- Täthet av yttre fästelement.
- Bränslets tillstånd rader.
- Slitage av gnista plugg .

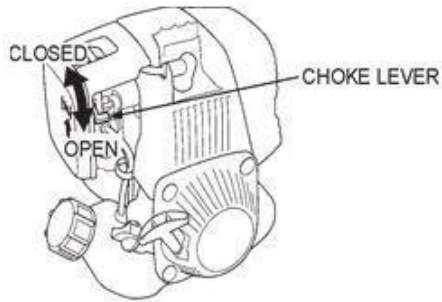
## Bruksanvisningar

### **⚠ WARNING**

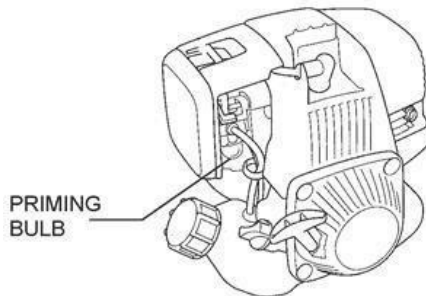
Läs och förstå både skridens användarmanual (denna manual) och motormanualen innan du startar eller använder skriden för att undvika felaktig användning som kan resultera i skada eller personskada.

## Starta motorn

1. Utför alla före varje användning steg.
2. För att starta en kall motor, flytta choken till STÄNGD-läget. Om du startar om en varm motor, låt chokern stå i ÖPPEN placera.

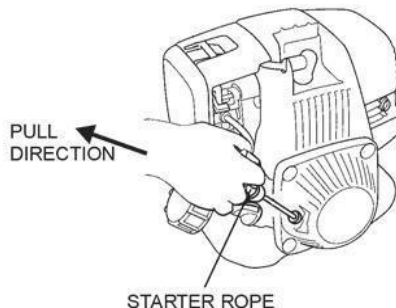


3. Tryck på priming-bulben upprepade gånger tills bränsle kan ses inuti den genomskinliga plasten Glödlampa.



4. Flytta gasreglaget något i riktning mot pil.

5. Dra lätt i startsnöret (Figur 03) tills du känner motstånd, dra sedan snabbt i riktning mot pil. Lämna tillbaka startlinan försiktigt.



6. När motorn har startat, öppna choken och låt motorn gå på tomgång i 3 till 5 minuter för att uppvärmning.

## Drift

Läs och förstå både motorns och komprimatorns användarmanualer innan du startar eller använder komprimatorn för att undvika felaktig användning som kan resultera i skada eller personskada.

**Obs:** När någonsin hög fart drift är INTE nödvändig, långsam de motor förbi rör på sig de strypa spak till a lågt läge till spara bränsle och förlänga de liv av de Utrustning.

1. När motorn har startat och värmts upp, öppna gasreglaget helt i pilens riktning för att aktivera screed.
2. Flytta sakta skriden bakåt och se efter slät betong framför screed.

## Stoppa motorn

Stäng omedelbart av motorströmbrytaren i en nödsituation. Under normala förhållanden, stoppa inte motorn när skriden är på hög hastighet, annars kommer motortemperaturen att stiga plötsligt, vilket kan orsaka att motordelar fastnar eller oljan försämras.

**Obs:** För att stoppa motorn i en nödsituation, tryck helt enkelt på nödstoppknappen på handtaget.

## För att stoppa motorn normalt:

1. Minska motorvarvtalet genom att dra gasreglaget helt i motsatt riktning av pilen och låt motorn gå på tomgång i 2 - 3 minuter innan du vrider den av.
  2. Tryck på nödstoppknappen på hantera.
- Se motorns bruksanvisning för mer detaljerad information.

## Efter varje användning

### Rena upp

Rengör skriden och skridbrädan. Rengör skriden och skridbrädan med vatten för att få bort all betong men se till att motorn inte blir blöt.

Avjämningsbrädan kan beläggas tunt med dieselbränsle för att förhindra

rost och lättare ta bort betong.

Rengör motorcylinderns kylflänsar. En kvast eller gammal borste är bra verktyg för att ta bort betong innan den blir fast.

Se motormanualen för mer information om motorn.

## Lagring

Vid förvaring av skriden och skivan under en längre tid (i mer än 30 dagar):

- 1) Rengör skriden enligt beskrivningen ovan.
- 2) Ta bort skivan från skriden enligt beskrivningen i denna manual.
- 3) Töm bränsletanken och kör motorn en kort stund tills bränslet i bränslet i förgasaren är helt förbrukad
- 4) Byt motorolja och följ procedurerna som beskrivs i motormanualen lagring.
- 5) Rengör eller byt ut motorluften filtera.
- 6) Förvara screed och skiva separat på ett rent, torrt område.
- 7) Täck skriden och skivan helt med torr trasa.

## Underhåll

Kontrollera att komprimatormotorn är avstängd och kyld innan du utför underhåll, rengöring eller inspektion. Att utföra underhåll på en fungerande kompressor kan orsaka skador.

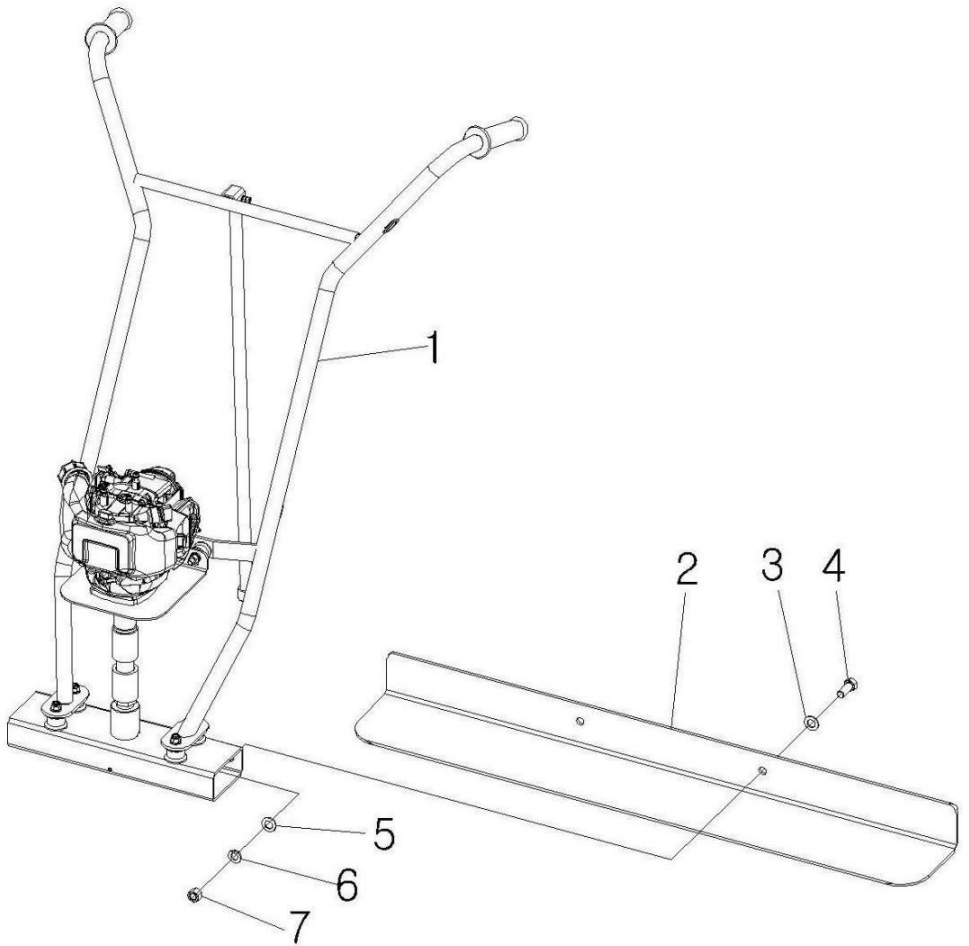
Underhåll skriden genom att anta ett program för noggrann reparation och underhåll i enlighet med följande rekommenderade procedurer: Se även motortillverkarens bruksanvisning för ytterligare information om motorunderhåll. Följande diagram är baserat på ett normalt driftschema.

Underhållsintervall	Underhållspunkt
---------------------	-----------------

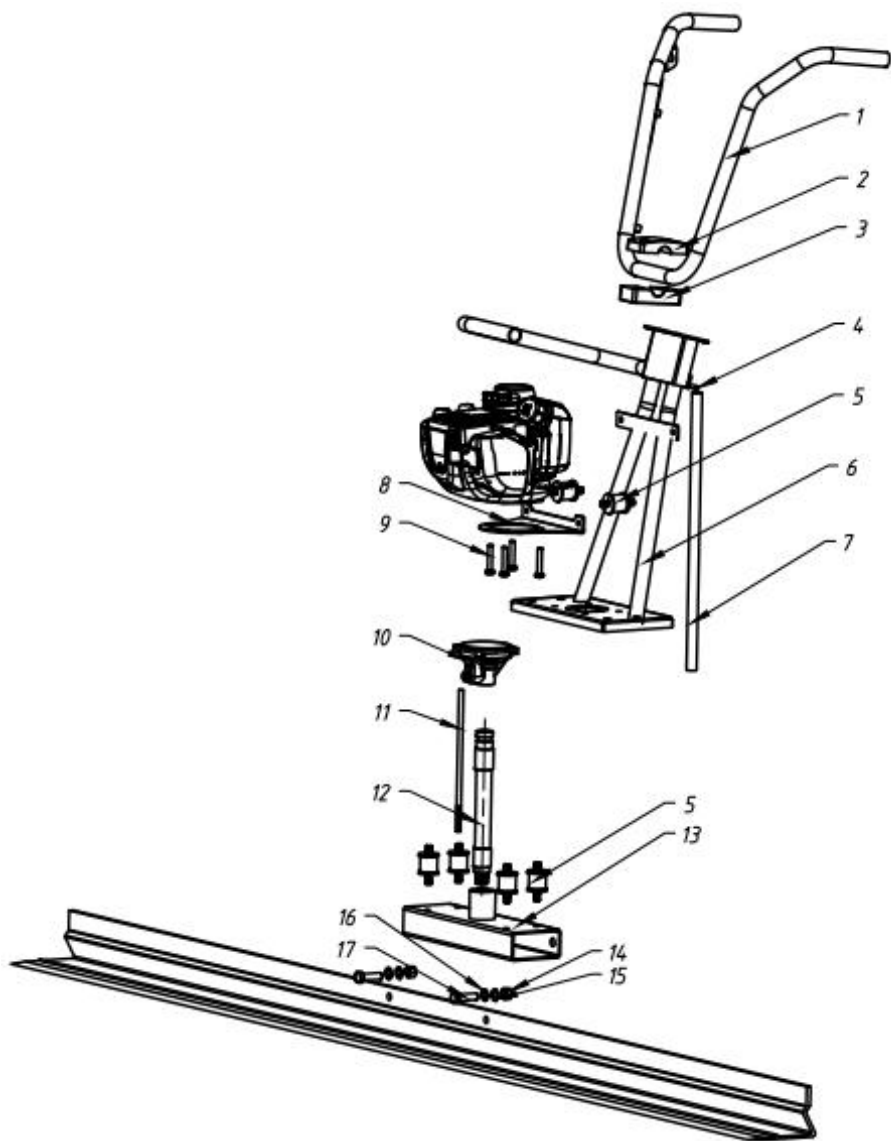
Dagligen före operation	Kontrollera bränslenivån. Kontrollera motoroljenivån. Inspektera bränsleledningarna. Inspektera luftfiltret och byt ut det vid behov. Kontrollera och dra åt den externa hårdvaran.
Efter de första 20 drifttimmarna eller 3 månader	Byt motorolja.
Efter de första 50 drifttimmarna eller var 6:e månad	Rengör luftrenarelementet. Byt motorolja. Kontrollera och rengör tändstiftet.
Efter de första 100 drifttimmarna eller varje år	Rengör bränslesilen.
Efter de första 200 drifttimmarna eller vartannat år	Kontrollera och justera ventilspelet. Rengör cylinderhuvudet. Byt tändstiftet.

Nej	Beskrivningar	Storlek eller dimension	Antal			
			Passande modell			
			ZPJ-2 5A- 6	ZPJ-2 5A-8	ZPJ- 25A- 11	ZPJ-2 5A-6/8 /11
1	Betong Avjämningshuvud —		1	1	1	1
2	Avjämningsbräda 6 med	6 fot	1	/	/	1
	Avjämningsbräda	8 fot	/	1	/	1

	8 med					
	Avjämningsbräda 1 1 med	1 1 fot	/	/	1	1
3	Vanlig bricka	M12	2	2	2	2
4	Bult	M12x 4 0	2	2	2	2
5	Vanlig bricka	M12	2	2	2	2
6	Fjäderbricka	M12	2	2	2	2
7	Cap Mutter	M12	2	2	2	2





## Explosionsdiagram



Nej.	Beskrivningar	Antal	Storlek eller dimension
1	Handtagssvetsenhet	1	ZPJ-25A.2

2	Klämblock	1	ZPJ-25,9
3	Klämblock	1	ZPJ-25.10
4	Stiftaxel	1	GB/T882-B6*35
5	Handtagsstöd gummi	6	TVSA-T.18
6	Handtagssvetsenhet	1	ZPJ-25A.1
7	Handtagsstödrör	1	ZPJ-25.12
8	Motorplatta	1	ZPJ-25A.3
9	Bult	4	GB/T70.1-M6*30-10.9
10	Kopplingshusenhet	1	TVSA-T.15
11	Tråd	1	TVSA-T.16
12	Gummislang	1	TVSA-T.17
13	Vibrerande husmontage	1	TVSA-T.14
14	Nöt	2	GB/T6170-M12
15	Vanlig bricka	2	GB/T97.1-φ12
16	Fjäderbricka	2	GB/T93-φ12
17	Bult	2	GB/T5783-M12*40

## Lista över delar

Nej.	namn	Bild	Antal
1	Insexnyckel (S=4)		1
2	Insexnyckel (S=6)		1

3	Hylsnyckel		
4	Tvåfunktionsnyckel (S=18)		2
5	sexkantskruvsats (M12*40)		2
6	Manuell		1
7	Utsläppsdeklaration		1

## Felsökning

Kontrollera listan nedan innan du vänder dig till servicepersonal, inklusive lokala återförsäljare. Och om problemet kvarstår efter felsökningen enligt beskrivningen nedan, ring din lokala återförsäljare för framtida hjälp.

Fel	Möjlig orsak	Avhjälpan åtgärd
Vibrerar otillräckligt och som ett resultat kan betonggolvet inte jämnas till och jämnas till på rätt sätt.	Centrifugalkraften är för låg.	Öka motorvarvtalet.
	Det finns för stora mängder betong längs brädans framkant.	Ta bort överflödigt betong från brädet.
	Den valda bredden på brädan är för stor	Arbeta med en mindre styrelse.

Betong ser "VÅGIG" ut när skridbrädan passerar över den	Föraren rör sig för långsamt	Gå baklänges i ett snabbare tempo.
	För mycket vibrationer för typen av betong	Minska motorvarvtalet och gå bakåt i ett snabbare tempo.
Lämnar HÖGA eller LÅGA fläckar under våt skridning.	Betong för hög eller låg på ena sidan?	Låt arbetarna forma betongen så nära lutningen som möjligt. Behåll hela tiden cirka 1 tum betong över brädets framsida.
Skivan gräver ner i våt betong.	Är brädan rätt placerad?	Varje ände av brädan måste åka på samma yta. Antingen åker varje ände av brädan på former eller betong (våt screed), inte båda.

**Tillverkare:** Shanghaimuxinmuyeyouxiangongsi

**Adress:** Baoshanqu Shuangchenglu 803long 11hao 1602A-1609shi  
Shanghai

**Importerad till AUS:** SIHAO PTY LTD.1 ROKEVA STREETEASTWOOD  
NSW 2122 Australien

**Importerad till USA:** Sanven Technology Ltd. Suite 250, 9166 Anaheim  
Place, Rancho Cucamonga, CA 91730

**EC REP:** SHUNSHUN GmbH.

Römeräcker 9 Z2021,76351 Linkenheim-Hochstetten, Tyskland

Tel: +49 1727041930 euvertreter@gmail.com

**UK REP:** Pooledas Group Ltd

Enhet 5 Albert Edward House, The Pavilions Preston, Storbritannien

Tel: 01772418127 pooledas123@gmail.com

**Tillverkad i Kina**



**VEVOR<sup>®</sup>**

**TOUGH TOOLS, HALF PRICE**

**Teknisk Support och e-garanticertifikat**

**[www.vevor.com/support](http://www.vevor.com/support)**