

INSTALLATION INSTRUCTIONS

BROAN[®] *Elite*



MODEL E661

⚠ INTENDED FOR DOMESTIC COOKING ONLY ⚠

READ AND SAVE THESE INSTRUCTIONS

INSTALLER: LEAVE THIS MANUAL WITH HOMEOWNER.
HOMEOWNER: USE AND CARE INFORMATION ON PAGES 12 AND 13.

Broan-NuTone LLC; Hartford, Wisconsin www.broan.com 1-800-558-1711

REGISTER YOUR PRODUCT ONLINE AT: www.broan.com/register

SV09440 rev. 02

WARNING

TO REDUCE THE RISK OF FIRE, ELECTRIC SHOCK OR INJURY TO PERSONS, OBSERVE THE FOLLOWING:

1. Use this unit only in the manner intended by the manufacturer. If you have questions, contact the manufacturer at the address or telephone number listed in the warranty.
2. Before servicing or cleaning unit, switch power off at service panel and lock service disconnecting means to prevent power from being switched on accidentally. When the service disconnecting means cannot be locked, securely fasten a prominent warning device, such as a tag, to the service panel.
3. Installation work and electrical wiring must be done by qualified personnel in accordance with all applicable codes and standards, including fire-rated construction codes and standards.
4. Sufficient air is needed for proper combustion and exhausting of gases through the flue (chimney) of fuel burning equipment to prevent backdrafting. Follow the heating equipment manufacturer's guidelines and safety standards such as those published by the National Fire Protection Association (NFPA), and the American Society for Heating, Refrigeration and Air Conditioning Engineers (ASHRAE), and the local code authorities.
5. When cutting or drilling into wall or ceiling, do not damage electrical wiring and other hidden utilities.
6. Ducted fans must always be vented to the outdoors.
7. Do not use this unit with any additional solid-state speed control device.
8. To reduce the risk of fire, use only metal ductwork.
9. This unit must be grounded.
10. When performing installation, servicing or cleaning the unit, it is recommended to wear safety glasses and gloves.
11. When applicable local regulations comprise more restrictive installation and/or certification requirements, the aforementioned requirements prevail on those of this document and the installer agrees to conform to these at his own expenses.

TO REDUCE THE RISK OF A RANGE TOP GREASE FIRE:

- a) Never leave surface units unattended at high settings. Boilovers cause smoking and greasy spillovers that may ignite. Heat oils slowly on low or medium settings.
- b) Always turn hood ON when cooking at high heat or when flambeing food (i.e.: Crêpes Suzette, Cherries Jubilee, Peppercorn Beef Flambé).
- c) Clean ventilating fans frequently. Grease should not be allowed to accumulate on fan or filter.
- d) Use proper pan size. Always use cookware appropriate for the size of the surface element.

WARNING

TO REDUCE THE RISK OF INJURY TO PERSONS IN THE EVENT OF A RANGE TOP GREASE FIRE, OBSERVE THE FOLLOWING*:

1. SMOTHER FLAMES with a close-fitting lid, cookie sheet or metal tray, then turn off the burner. BE CAREFUL TO PREVENT BURNS. IF THE FLAMES DO NOT GO OUT IMMEDIATELY, EVACUATE AND CALL THE FIRE DEPARTMENT.
2. NEVER PICK UP A FLAMING PAN – You may be burned.
3. DO NOT USE WATER, including wet dishcloths or towels – This could cause a violent steam explosion.
4. Use an extinguisher ONLY if:
 - A. You own a Class ABC extinguisher and you know how to operate it.
 - B. The fire is small and contained in the area where it started.
 - C. The fire department has been called.
 - D. You can fight the fire with your back to an exit.

* Based on "Kitchen Fire Safety Tips" published by NFPA.

CAUTION

1. For indoor use only.
2. For general ventilating use only. Do not use to exhaust hazardous or explosive materials and vapors.
3. To avoid motor bearing damage and noisy and/or unbalanced impeller, keep drywall spray, construction dust, etc. off power unit.
4. Your hood motor has a thermal overload which will automatically shut off the motor if it becomes overheated. The motor will restart when it cools down. If the motor continues to shut off and restart, have the hood serviced.
5. The minimum hood distance above cooktop must not be less than 24". A maximum of 30" above cooktop is highly recommended for best capture of cooking impurities.
6. Two installers are recommended because of the large size and weight of this hood.
7. To reduce the risk of fire and to properly exhaust air, be sure to duct air outside – Do not exhaust air into spaces within walls or ceiling or into attics, crawl space or garage.
8. This product is equipped with a thermostat which may start blower automatically. To reduce the risk of injury and to prevent power from being switched on accidentally, switch power off at service panel and lock or tag service panel.
9. Because of the high exhausting capacity of this hood, you should make sure enough air is entering the house to replace exhausted air by opening a window close to or in the kitchen.
10. Use with approved cord-connection kit only.
11. Please read specification label on product for further information and requirements.

TABLE OF CONTENTS

1. INSTALL DUCTWORK	3
2. PREPARE THE INSTALLATION	4
3. PREPARE THE HOOD	5-8
4. INSTALL THE ADAPTER/DAMPER	9
5. INSTALL THE HOOD	10
6. CONNECT WIRING	10
7. REINSTALL BOTTOM PANEL	11
8. LIGHT BULBS	11
9. OPERATION	12
10. USE AND CARE	13
11. WIRING DIAGRAM	14
12. SERVICE PARTS	15
13. WARRANTY	16

⚠ WARNING

When performing installation, servicing or cleaning the unit, it is recommended to wear safety glasses and gloves.

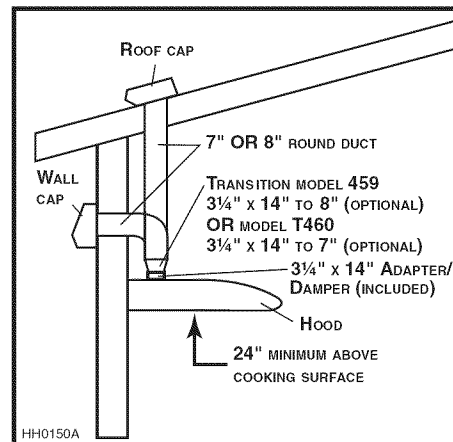
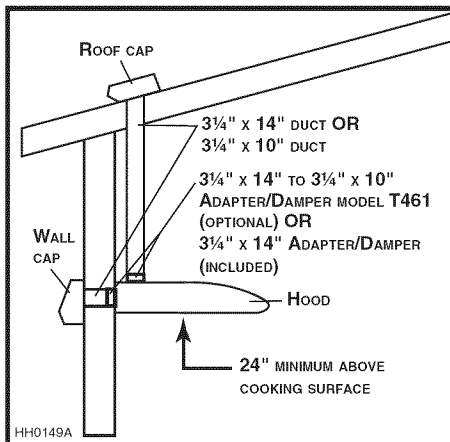
1. INSTALL DUCTWORK

Plan where and how the ductwork will be installed.

Install proper-sized ductwork, elbows and roof or wall cap. Use 2" duct tape to seal duct joints.

The minimum hood distance above cooktop must not be less than 24". A maximum of 30" above cooktop is highly recommended for best capture of cooking impurities.

Distances over 30" are at the installer and users discretion.



2. PREPARE THE INSTALLATION

Make sure that the following items are included:

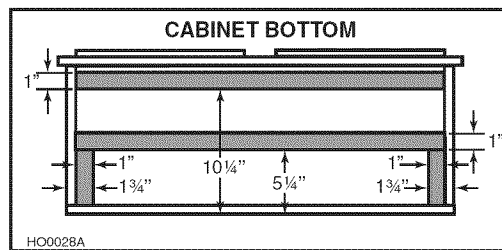
- Hood
- Accessories:
 - Filters (2 for 30" and 36" width hoods, 3 for 42" width hood)
 - Plastic diverter (assembled in hood)
 - 3¼" x 14" adapter/damper (inside one filler)
 - Bag of parts (inside one filler) including:
 - 1 wire clamp, 6 no. 8 x 1/2" screws, 2 wire connectors and 3 no. 6 x 1/2" standard screws
 - Shielded halogen lights (MR16, GU10, 120 V, 50 W)

Parts sold separately:

- Transition 3¼" x 14" to 8" round model no. 459 (optional), transition 3¼" x 14" to 7" round model no. T460 (optional), adapter/damper 3¼" x 14" to 3¼" x 10" model no. T461 (optional), ducts, elbows, dampers, wall or roof caps.

NOTES: 1. During installation, protect countertop and/or cooktop.

- 2. If the bottom of the cabinet is recessed, attach four 1" wide wood strips (not included), as shown below, in order to properly attach the hood to the cabinet. The wood strips must be as thick as recess.

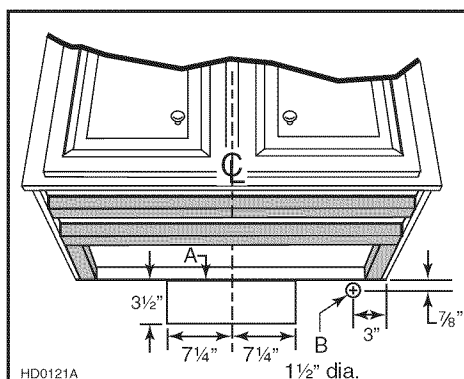


Cut-out the openings for duct (A) and power cable (B), in cabinet or wall, according to the direction of discharge chosen.

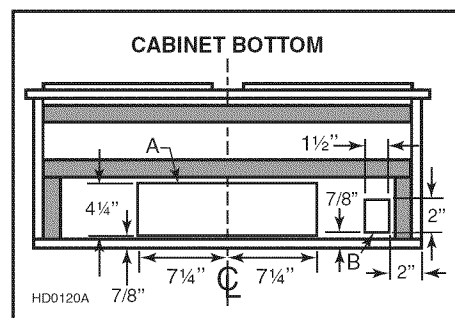
See figures below.

NOTE: If using the optional 3¼" x 14" to 3¼" x 10" adapter model no. T461, the duct opening width (A) will be 10½", centered.

HORIZONTAL DISCHARGE

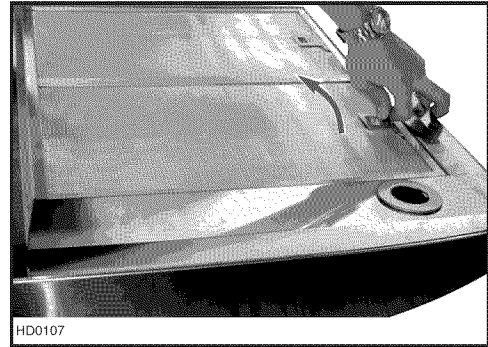


VERTICAL DISCHARGE

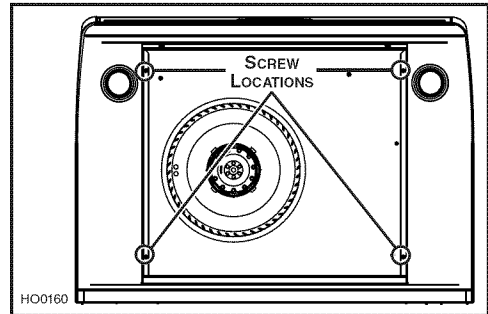


3. PREPARE THE HOOD

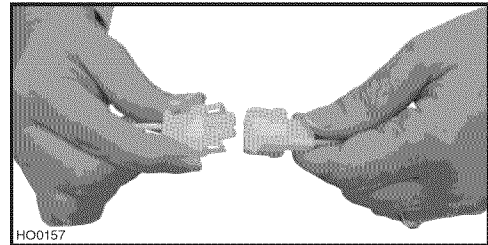
3.1 Pull latch tabs and remove filters from the hood.



3.2 Remove both screws retaining each side panel and set aside.

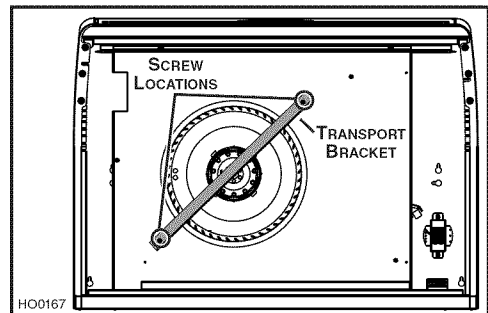


3.3 Press on tabs and pull to disconnect light assemblies from electrical harnesses.
Remove both panels and set aside.



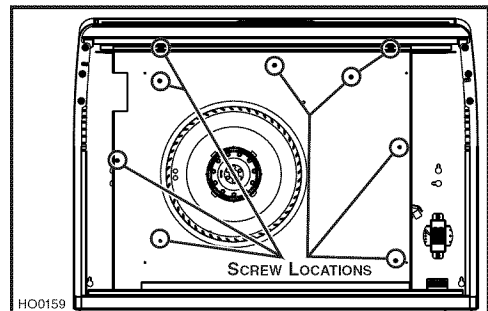
3.4 Remove both transport bracket retaining screws. Discard the transport bracket and one of its screw (set the second screw aside).

CAUTION
Do not reinstall the transport bracket.



3.5 Remove the 9 screws retaining the bottom panel to the hood and set aside. Slide out the bottom panel and set aside.

NOTE: Wires not shown in illustration to ease understanding.



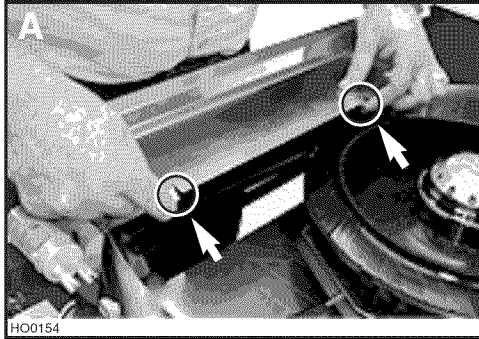
3. PREPARE THE HOOD (CONT'D)

FOR VERTICAL DISCHARGE:

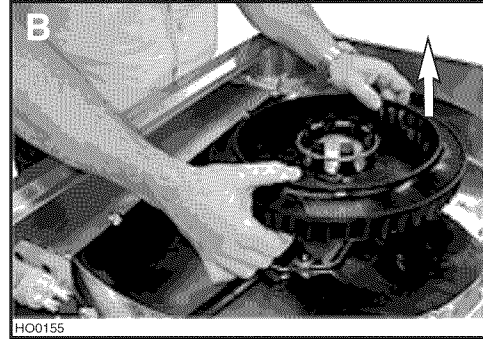
Go to step 3.11 on page 8.

FOR HORIZONTAL DISCHARGE ONLY:

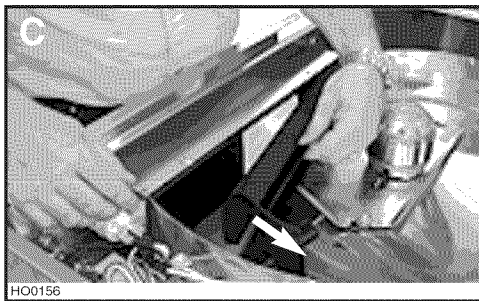
3.6 From inside the hood, remove and discard the plastic air deviator following the 4 steps below.



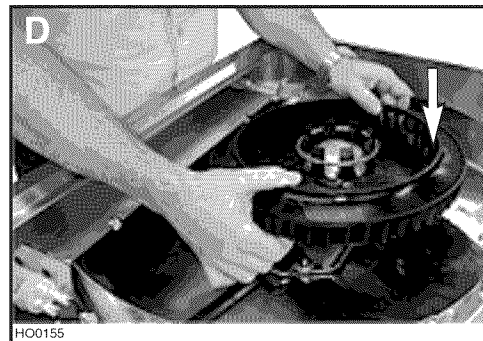
Unfold both fan scroll tabs.



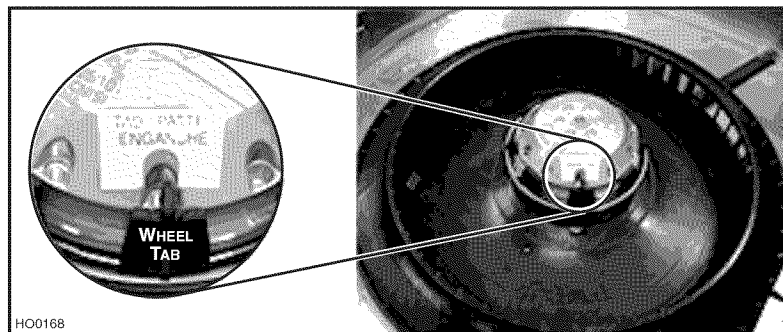
Lift the blower wheel to remove and set aside.



Slide the plastic deviator out and discard.



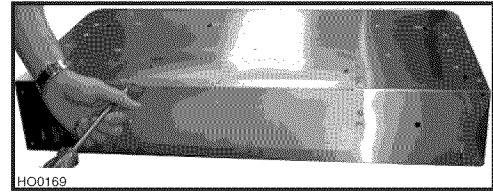
Reinstall blower wheel ensuring its tab is aligned with the yellow sticker affixed on the motor. (As illustrated below.)



3. PREPARE THE HOOD (CONT'D)

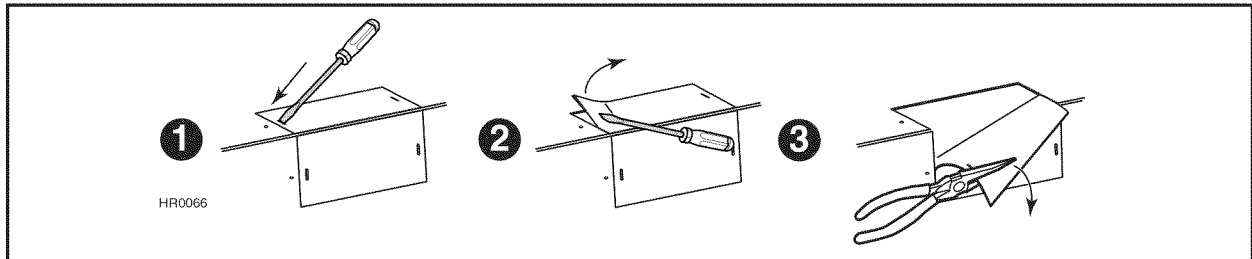
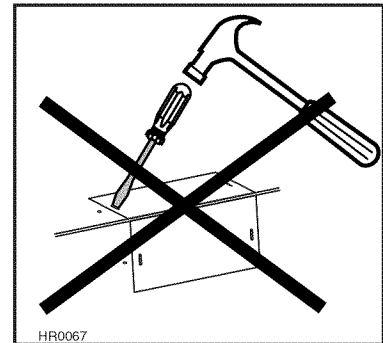
FOR HORIZONTAL DISCHARGE ONLY (CONT'D):

- 3.7 Turn the hood over and remove the metal shutoff plate from the back of the hood, by removing its 3 retaining screws. Set the screws aside.

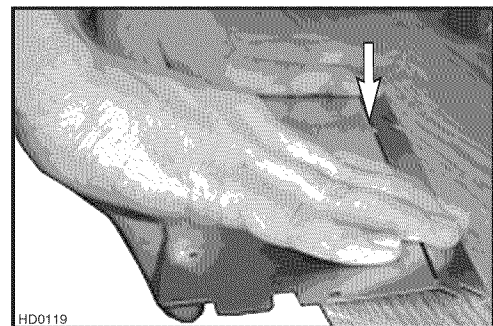


- 3.8 Using a straight-blade screwdriver, remove the discharge knock-out. To ease removal, use a long nose pliers for the third step. See figures below.

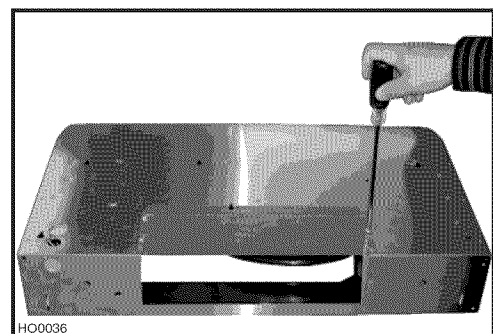
CAUTION
Never use a hammer and a screwdriver to punch out the discharge knock-out, because this will damage the hood internal parts.



- 3.9 Press the metal shutoff plate on a flat surface to completely flatten bent flange.



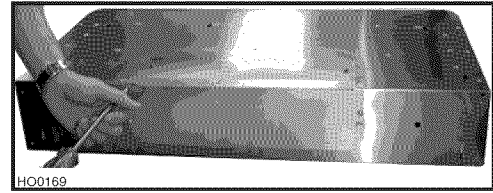
- 3.10 Using the 3 screws removed from 3.7, install the metal shutoff plate on top of the hood.



3. PREPARE THE HOOD (CONT'D)

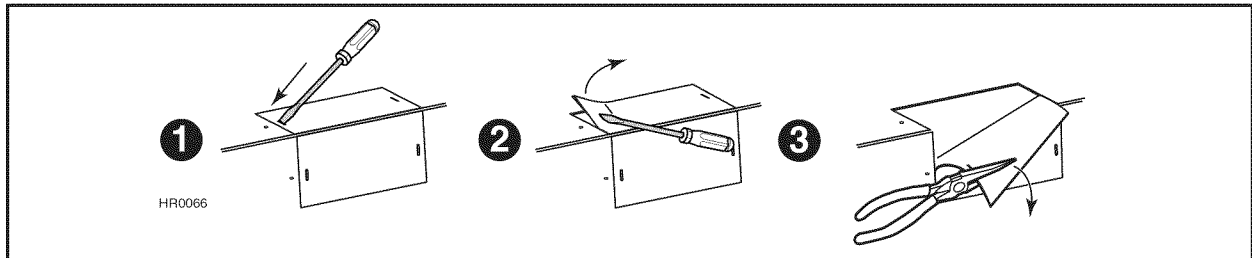
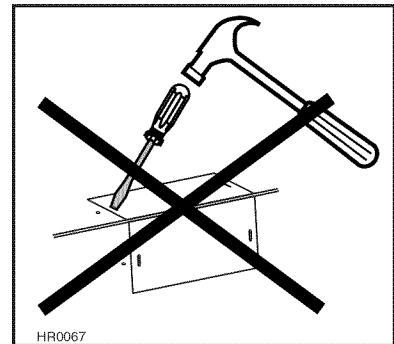
FOR VERTICAL DISCHARGE ONLY:

3.11 Turn the hood over and remove the metal shutoff plate from the back of the hood, by removing its 3 retaining screws. Set the screws aside.

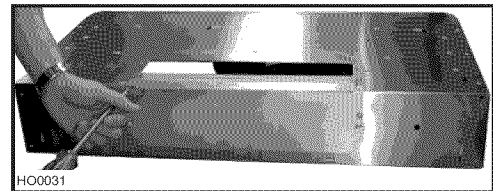


3.12 Using a straight-blade screwdriver, remove the discharge knock-out. To ease removal, use a long nose pliers for the third step. See figures below.

CAUTION
Never use a hammer and a screwdriver to punch out the discharge knock-out, because this will damage the hood internal parts.



3.13 Using the 3 screws removed from 3.11, install the metal shutoff plate on the back of the hood.



4. INSTALL THE ADAPTER/DAMPER

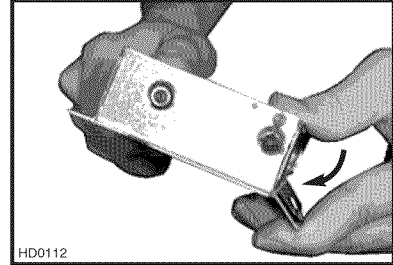
The wall duct must be roughed-in to properly interface with the hood. Before performing the installation, make sure the adapter fits easily in the duct. If this hood replaces an existing hood, please note that location of the air exhaust can vary from one hood manufacturer to another.

NOTE: If using the optional 3¼" x 14" to 3¼" x 10" adapter/damper model T461, discard the provided adapter/damper and perform step 4 with the optional adapter/damper model T461.

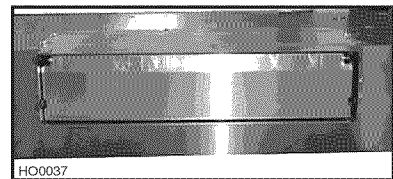
FOR HORIZONTAL DISCHARGE ONLY:

4.1 Remove tape on damper.

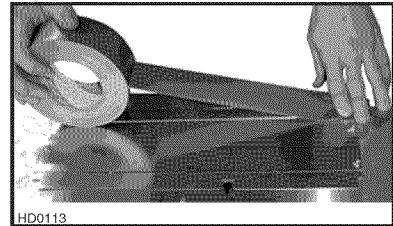
Fold down the foldable flange of the adapter/damper. This flange must be at 90° from the remaining flanges. See picture beside.



4.2 Using three no. 6 x 1/2" screws provided, secure the adapter to the back of the hood. Remove tape from damper flap.



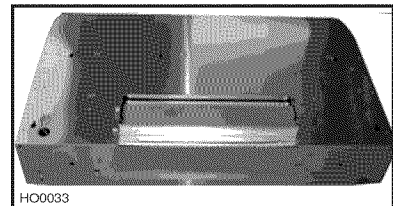
4.3 Seal the adapter and the metal shutoff plate to the hood using duct tape.



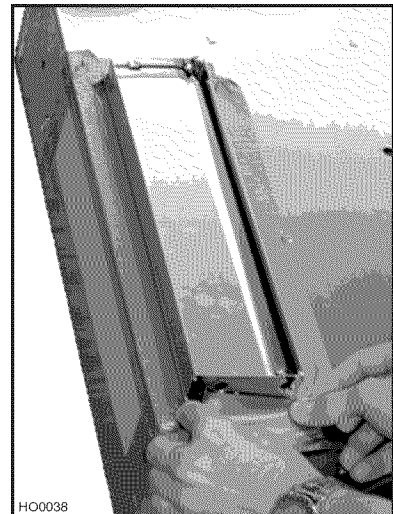
FOR VERTICAL DISCHARGE ONLY:

4.4 Remove tape on damper.

Using three no. 6 x 1/2" screws provided, secure the adapter to the top of the hood. Remove tape from damper flap.

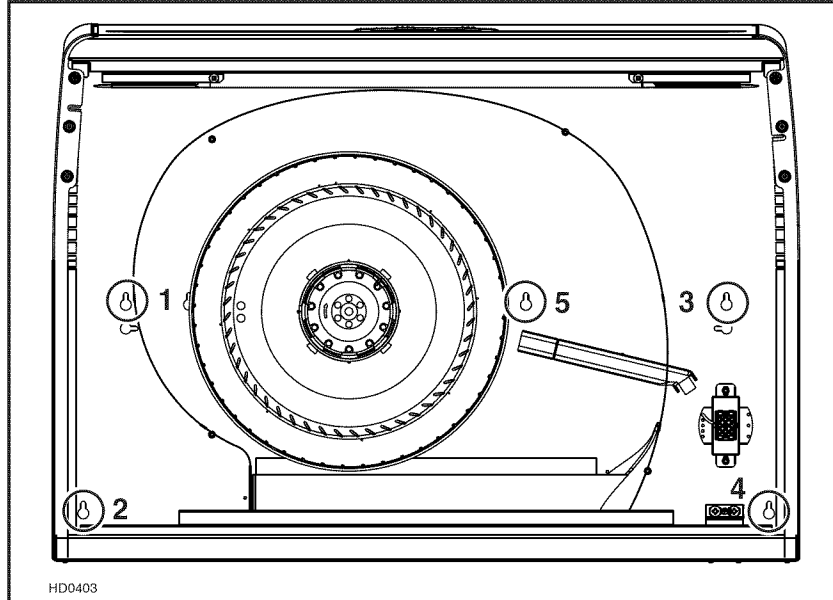


4.5 Seal the adapter and the metal plate to the hood using duct tape.



5. INSTALL THE HOOD

- 5.1 Run power cable to installation location. Position the hood in its intended location. Using a pen, mark the position of the screws (smaller part of the keyholes, see pictures below for the 5 keyholes locations). Remove the hood.
- 5.2 Install 4 no. 8 x 1/2" screws, leaving a 1/8" gap (do not install the no. 5 screw yet).



- 5.3 Attach the wire clamp, insert the power cable in the hood. Place the hood under the cabinet, slide it in position and tighten the wire clamp to secure the cable. Make sure the adapter/damper assembly enters the duct opening. Tighten the 4 screws completely, then add the last screw (screw no. 5) in the center keyhole. Make sure the damper flap opens freely.

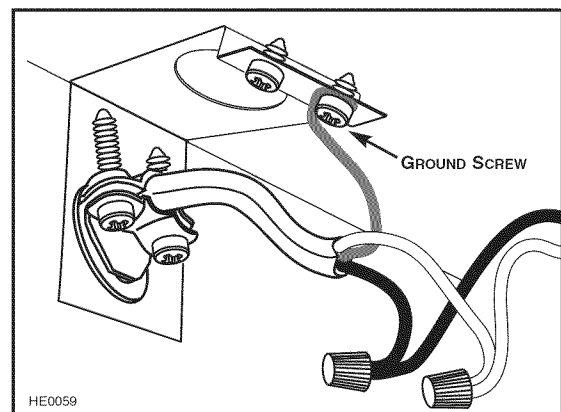
6. CONNECT WIRING

WARNING

Risk of electrical shock. Electrical wiring must be done by qualified personnel in accordance with all applicable codes and standards. Before connecting wires, switch power off at service panel and lock service disconnecting means to prevent power from being switched on accidentally.

Connect cable into wiring box using provided wire connectors.

Connect wires as follows: BLACK to BLACK, WHITE to WHITE and GREEN or BARE wire under GREEN ground screw. **DO NOT FORGET TO CONNECT THE GROUND.**



7. REINSTALL BOTTOM PANEL

CAUTION

Ensure not to pinch the wires when reinstalling the bottom panel.

CAUTION

Remove protective plastic film covering filters before installing them.

7.1 Reinstall the bottom panel, using 9 screws saved from steps 3.4 and 3.5, as shown beside.

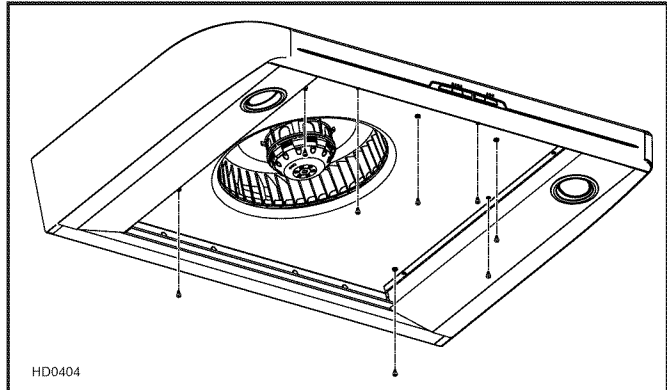
NOTE: The left side panel will hide one screw.

7.2 Reconnect light assemblies. Reinstall side panels using 4 screws saved from step 3.2.

7.3. Reinstall filters.

CAUTION

Do not reinstall the transport bracket.



8. LIGHT BULBS

This range hood requires two 120 V, 50 W max., type MR16 with GU10 base, shielded halogen lamps (included).

⚠ WARNING

In order to prevent the risk of personal injury, only install shielded halogen lamps. Also, never install a cool beam, a dichroic lamp or lamp not suitable for use in recessed or enclosed luminaires.

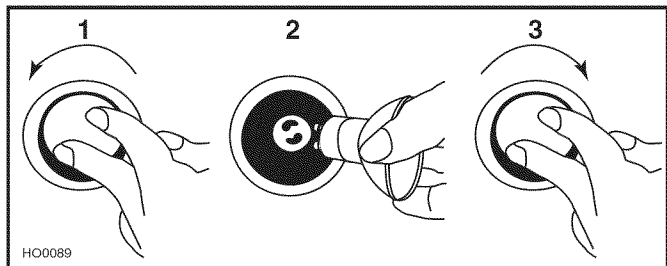
⚠ WARNING

In order to prevent the risk of personal injury, the halogen lamps must cool down before removing them.

To replace bulbs:

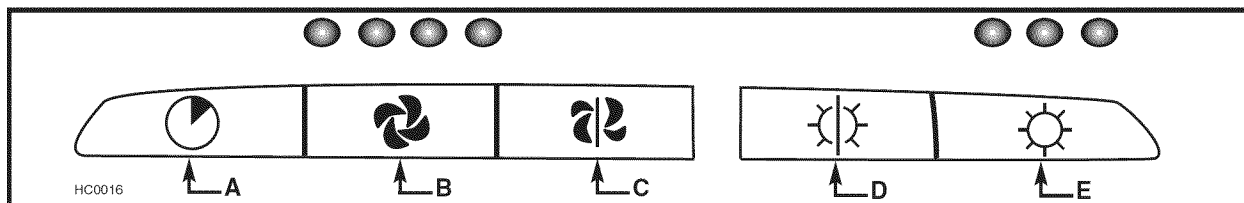
1. Gently push upward and turn counterclockwise to disengage used bulb leads from their grooves.
2. Place the new bulb leads into their grooves in the socket.
3. Gently push upward and turn clockwise until secured.

NOTE: If need be, use a rubber dishwashing glove to add grip when removing the bulb.



9. OPERATION

Always turn your blower on before you begin cooking to establish an air flow in the kitchen. Let the blower run for a few minutes to clear the air after you turn off the range.



A) Blower Delay switch

B) ON blower/Speed control switch

C) OFF blower/Filter maintenance switch

D) OFF lighting

E) Halogen light switch

A. BLOWER DELAY SWITCH:

When a speed is selected, press the delay switch to activate the delay function. The corresponding speed indicator LED will start flashing to indicate this function is activated. The fan will continue to operate for 5 minutes and will stop automatically. To cancel the delay function, press the blower delay switch once again; the blower will then work in normal mode.

NOTE: The blower speed can be increased—or decreased—during delay mode without starting another 5-minute cycle.

B. ON BLOWER/SPEED CONTROL SWITCH:

Press this switch to turn on the blower at the last selected speed. To change the blower speed, press the switch again until the desired speed is obtained.

NOTES: 1. Each time you press the speed control switch, the speed changes by increments of 1 (e.g.: speed 1 to speed 2, to speed 3, and then speed 4.) From the fourth speed, the speed goes down to level 1.

2. The last speed used is kept in memory so that when the unit is turned on, it will return to the last setting except the fourth, the next time the blower will be turned on, it will return to speed 3.

HEAT SENTRY™

This hood is equipped with a Heat Sentry thermostat. This thermostat is a device that will turn on or speed up the blower if it senses excessive heat above the cooking surface.

1) If blower is OFF—it turns blower ON to speed 3.

2) If blower is ON at a lower speed setting—it turns the blower up to speed 3. If blower is at Boost, HEAT SENTRY™ turns blower down to speed 3.

When HEAT SENTRY™ is activated, the last speed blower LED is flashing.

When the temperature level drops to normal, the blower will return to its original setting.

⚠ WARNING

The HEAT SENTRY™ can start the blower even if the hood is turned OFF. In this case, it is impossible to turn the blower OFF with blower switch. To prevent the blower from starting, turn off power at the main electrical panel.

C. OFF BLOWER/FILTER MAINTENANCE SWITCH:

Press this switch to turn off the blower. Pressing this switch also cancels the delay function (if activated).

NOTE: After 25 hours of operation, all blower LEDs will flash during 30 seconds to indicate the filters need to be cleaned in order to maintain efficient hood operation. The LEDs will continue to flash until the function is reset by pressing on this switch for 3 seconds.

D. OFF LIGHTING:

Press this switch to turn off lighting.

E. HALOGEN LIGHT SWITCH:

Press this switch to turn on the halogen lamps. The lighting intensity changes by increments of 1 (e.g.: Press once for low intensity, once again to get more, up to three times.) From the higher intensity, press once to go back to the lower intensity.

NOTE: The last lighting intensity used is kept in memory. The next time the halogen lamps will be turned on, they will light with the last intensity used.

RESET CONTROL PROCEDURE:

If ever the control locks up, turn off power at the main electrical panel for 5 seconds. Then, turn on power at the main electrical panel. The control will be reset.

10. USE AND CARE

Grease filters and bottom panel.

The grease filters and the bottom panel should be cleaned frequently. Use a warm detergent solution.

Remove grease filters by pushing them towards the back of hood and rotating downward.

Clean all-metal filters in the dishwasher using a non-phosphate detergent. Discoloration of the filter may occur if using phosphate detergents, or as a result of local water conditions — but this will not affect filter performance. This discoloration is not covered by the warranty.

STAINLESS STEEL CLEANING: HOW TO MAINTAIN ITS "BRIGHT LOOK"

- Do:**
- Regularly wash surfaces with clean cloth or rag soaked with warm water and mild soap or liquid dish detergent.
 - Always clean in the direction of original polish lines.
 - Always rinse well with clear water (2 or 3 times) after cleaning. Wipe completely dry.
 - You may also use a specialized household stainless steel cleaner.

- Don't:**
- Do not use any steel or stainless steel wool or any other scrapers to remove stubborn dirt.
 - Do not use any harsh or abrasive cleansers.
 - Do not allow dirt to accumulate.
 - Do not let plaster dust or any construction residues reach the hood. During construction or renovation, cover the hood to make sure no dust adheres to stainless steel surface.

Avoid: When choosing a detergent

- Any cleaners that contain **bleach** will attack stainless steel.
- Any products containing: **chloride, fluoride, iodide, bromide** will deteriorate surfaces rapidly.
- Any **combustible products** used for cleaning such as **acetone, alcohol, ether, benzol**, etc., are highly explosive and should never be used close to a range.

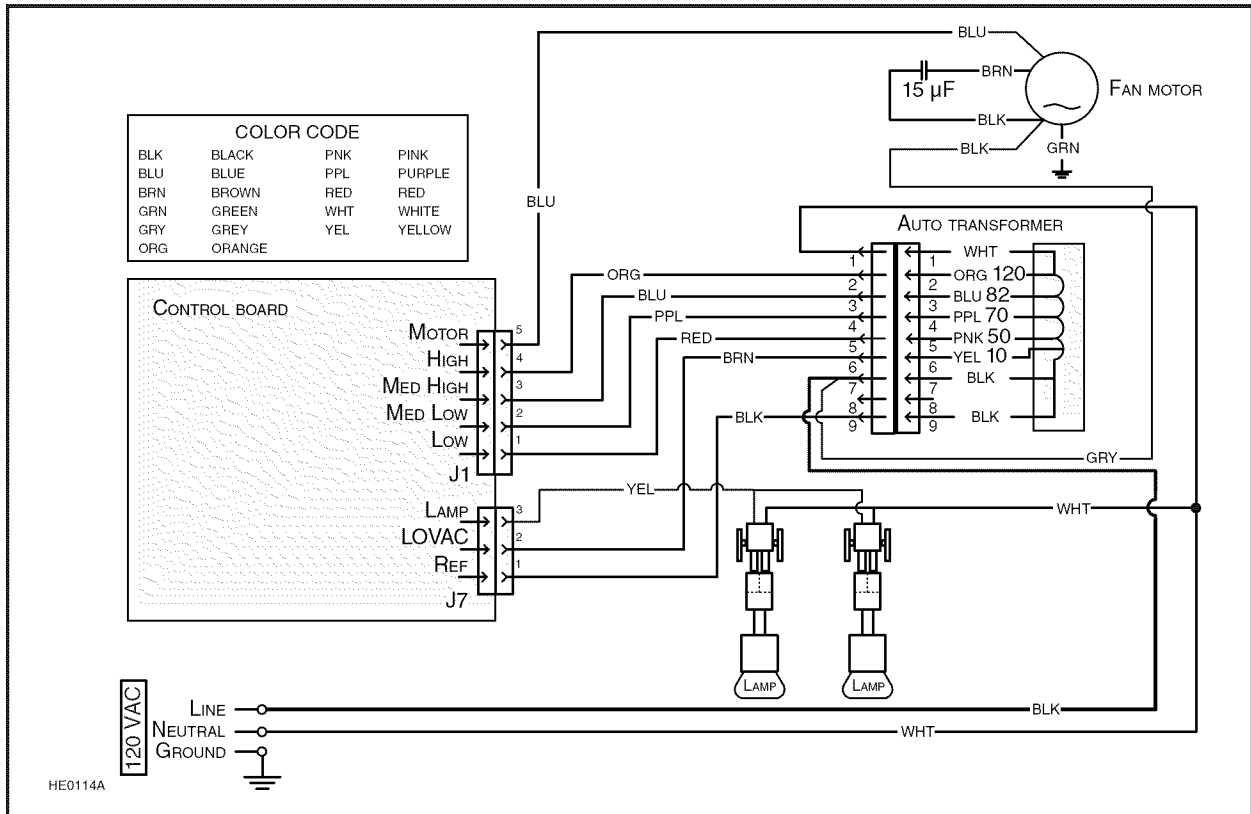
ENAMEL FINISH:

Clean with warm water and mild detergent only. If discoloration occurs, use a good enamel polish such as automotive polish. (DO NOT use rough abrasive cleaner or porcelain cleaner.)

11. WIRING DIAGRAM

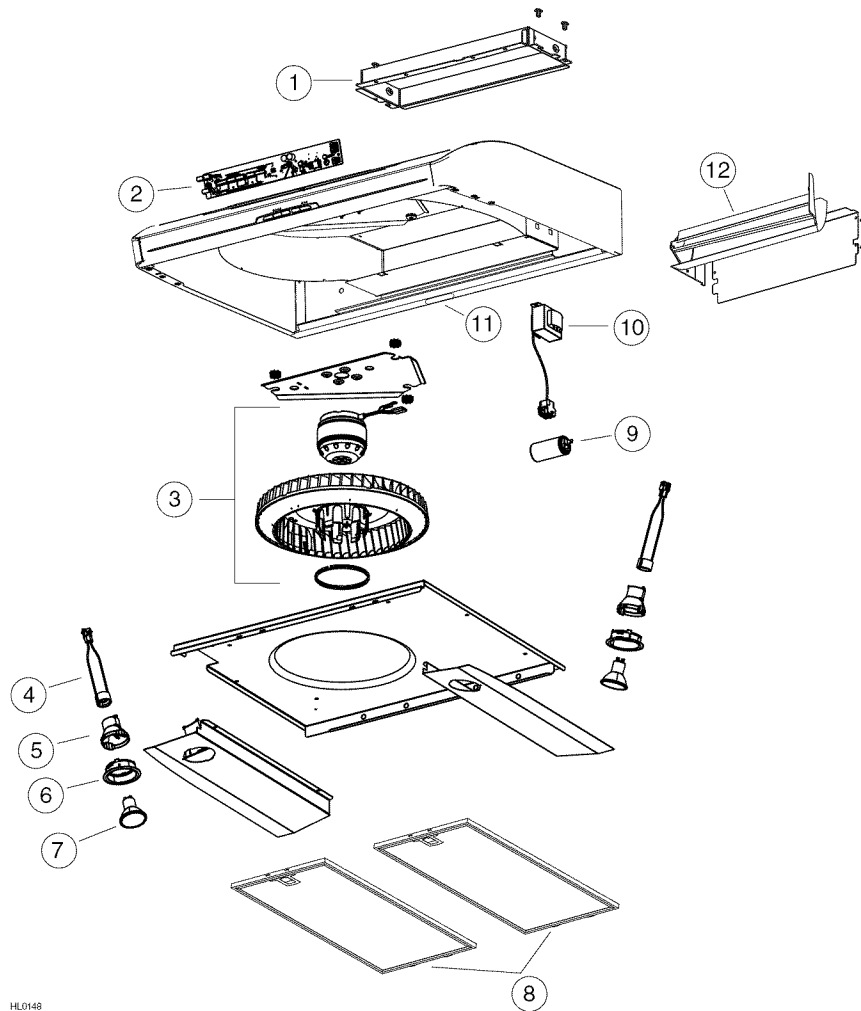
⚠ WARNING

Risk of electrical shock. Electrical wiring must be done by qualified personnel in accordance with all applicable codes and standards. Before connecting wires, switch power off at service panel and lock service disconnecting means to prevent power from being switched on accidentally.



12. SERVICE PARTS

E661 MODEL



HL0148

KEY No.	PART No.	DESCRIPTION	WIDTHS		
			30"	36"	42"
1	SV14971	ADAPTER/DAMPER	1	1	1
2	SV09225	ELECTRONIC CONTROL	1	1	1
3	SV01766E	MOTOR (INCLUDING WHEEL)	1	1	1
4	SV05917	LAMP SOCKET	2	2	2
5	SV09435	LAMP SOCKET HOLDER	2	2	2
6	SV09434	LIGHT TRIM RING	2	2	2
7	SV05921	HALOGEN LAMP (50 W, 120 V, GU10)	2	2	2
8	SV06244	FILTERS 9.922" x 17.981"	2	-	3
	SV06264	FILTERS 12.922" x 17.981"	-	2	-
9	SV02160	CAPACITOR	1	1	1
10	SV07325	TRANSFORMER	1	1	1
11	SV06750	BROAN ELITE LOGO	1	1	1
12	SV06252	DIVERTER	1	1	1
*	SV09440	INSTALLATION MANUAL	1	1	1
*	SV06751	PARTS BAG: 1 WIRE CLAMP LP16-AP, 2 WIRE CONNECTORS NO. 74B, 6 NO. 8 x 1/2" SCREWS, 3 NO. 6 x 1/2" SCREWS	1		

*Item not shown.

REPLACEMENT PARTS AND REPAIRS:

In order to ensure your ventilation unit remains in good working condition, you must use Broan-NuTone genuine replacement parts only. Broan-NuTone genuine replacement parts are specially designed for each unit and are manufactured to comply with all the applicable certification standards and maintain a high standard of safety. Any third party replacement part used may cause serious damage and drastically reduce the performance level of your unit, which will result in premature failing. Broan-NuTone also recommends to contact a Broan-NuTone certified service depot for all replacement parts and repairs.

13. WARRANTY

ONE YEAR LIMITED WARRANTY FOR BROAN ELITE PRODUCTS

Broan-NuTone LLC (Broan-NuTone) warrants to the original consumer purchaser of Broan Elite products that such products will be free from defects in materials or workmanship for a period of one year from the date of original purchase. THERE ARE NO OTHER WARRANTIES, EXPRESS OR IMPLIED, INCLUDING, BUT NOT LIMITED TO, IMPLIED WARRANTIES OR MERCHANTABILITY OR FITNESS FOR A PARTICULAR PURPOSE.

During this one-year period, Broan-NuTone will, at its option, repair or replace, without charge, any product or part which is found to be defective under normal use and service.

THIS WARRANTY DOES NOT EXTEND TO FLUORESCENT LAMP STARTERS, TUBES, HALOGEN AND INCANDESCENT BULBS, FUSE, FILTERS, DUCTS, ROOF CAPS, WALL CAPS AND OTHER ACCESSORIES FOR DUCTING. This warranty does not cover (a) normal maintenance and service or (b) any products or parts which have been subject to misuse, negligence, accident, improper maintenance or repair (other than by Broan-NuTone), faulty installation or installation contrary to recommended installation instructions.

The duration of any implied warranty is limited to the one-year period as specified for the express warranty. Some states or provinces do not allow limitation on how long an implied warranty lasts, so the above limitation may not apply to you.

BROAN-NUTONE'S OBLIGATION TO REPAIR OR REPLACE, AT BROAN-NUTONE'S OPTION, SHALL BE THE PURCHASER'S SOLE AND EXCLUSIVE REMEDY UNDER THIS WARRANTY. BROAN-NUTONE SHALL NOT BE LIABLE FOR INCIDENTAL, CONSEQUENTIAL OR SPECIAL DAMAGES ARISING OUT OF OR IN CONNECTION WITH PRODUCT USE OR PERFORMANCE. Some states or provinces do not allow the exclusion or limitation of incidental or consequential damages, so the above limitation or exclusion may not apply to you.

This warranty gives you specific legal rights, and you may also have other rights, which vary from state to state or province to another. This warranty supersedes all prior warranties.

To qualify for warranty service, you must (a) notify Broan-NuTone at one of the addresses or telephone number stated below, (b) give the model number and part identification and (c) describe the nature of any defect in the product or part. At the time of requesting warranty service, you must present evidence of the original purchase date.

Broan-NuTone LLC; 926 W. State Street, Hartford, Wisconsin 53027 www.broan.com 1-800-558-1711

BROAN® *Elite*



MODÈLE E661

⚠ CONÇUE POUR USAGE RÉSIDENTIEL SEULEMENT ⚠

LIRE ET CONSERVER CES DIRECTIVES

INSTALLATEUR : LAISSER CE GUIDE AU PROPRIÉTAIRE.
PROPRIÉTAIRE : DIRECTIVES D'UTILISATION ET D'ENTRETIEN
AUX PAGES 28 ET 29.

Broan-NuTone LLC; Hartford, Wisconsin www.broan.com 1 800 558-1711

ENREGISTREZ VOTRE PRODUIT EN LIGNE À : www.broan.com/register

AVERTISSEMENT

AFIN DE DIMINUER LES RISQUES D'INCENDIE, D'ÉLECTROCUTION OU DE BLESSURES, SUIVEZ LES DIRECTIVES SUIVANTES :

1. N'utilisez cet appareil que de la façon prévue par le fabricant. Si vous avez des questions, contactez ce dernier à l'adresse et au numéro de téléphone indiqués sur la garantie.
2. Avant de réparer ou de nettoyer l'appareil, coupez le courant au panneau d'alimentation et verrouillez-en l'accès afin d'éviter sa remise en marche accidentelle. Si le panneau de service ne peut être verrouillé, y fixer un indicateur voyant, par exemple une étiquette de couleur vive.
3. Les travaux d'installation et de raccordement électrique doivent être effectués par du personnel qualifié en respectant les normes et règlements en vigueur, y compris les normes et codes de bâtiment en matière de prévention d'incendie.
4. Une circulation d'air efficace est requise pour assurer la combustion et l'évacuation complète des gaz par la cheminée des équipements à combustion pour prévenir les retours de cheminée. Conformez-vous aux instructions et aux standards de sécurité des fabricants d'équipement de chauffage, tels qu'ils sont publiés par la National Fire Protection Association (NFPA) et l'American Society for Heating, Refrigeration and Air Conditioning Engineers (ASHRAE) ainsi que les responsables des codes locaux.
5. Lorsque vous coupez ou percez un mur ou un plafond, prenez garde de ne pas endommager les fils électriques ou autre installation qui pourraient y être dissimulés.
6. Les ventilateurs avec conduits doivent toujours évacuer l'air à l'extérieur.
7. N'utilisez pas cet appareil avec une commande de vitesse à semiconducteur additionnelle.
8. Afin de réduire le risque d'incendie, n'utilisez que des conduits en métal.
9. Cet appareil doit être relié à une mise à la terre.
10. Il est recommandé de porter des lunettes et des gants de sécurité lors de l'installation, de l'entretien et de la réparation de cet appareil.
11. Lorsqu'une réglementation est en vigueur localement et qu'elle comporte des exigences d'installation et/ou de certification plus restrictives, lesdites exigences prévalent sur celles de ce document et l'installateur entend s'y conformer à ses frais.

AFIN DE RÉDUIRE LES RISQUES DE FEU DE CUISINIÈRE :

- a) Ne laissez jamais les appareils de cuisson sans surveillance lorsqu'ils sont réglés à feu vif. Les débordements engendrent de la fumée et des déversements graisseux pouvant s'enflammer. Chauffez l'huile lentement, à feu doux ou moyen.
- b) Mettez toujours la hotte en marche lorsque vous cuisinez à feu vif ou que vous cuisinez des mets flambés (par ex. : crêpes Suzette, cerises jubilé, steak au poivre flambé).
- c) Nettoyez régulièrement la roue du ventilateur. Ne laissez pas la graisse s'accumuler sur le ventilateur ou les filtres.
- d) Utilisez le bon format de casserole. Servez-vous toujours de casseroles et d'ustensiles appropriés à la dimension de la surface de cuisson.

AVERTISSEMENT

AFIN D'ÉVITER TOUS RISQUES DE BLESSURE LORS D'UN FEU DE CUISINIÈRE, SUIVEZ CES DIRECTIVES* :

1. ÉTOUFFEZ LES FLAMMES avec un couvercle hermétique, une tôle à biscuits ou un plateau métallique, puis éteignez le brûleur. ATTENTION DE NE PAS VOUS BRÛLER. SI LES FLAMMES NE S'ÉTEIGNENT PAS IMMÉDIATEMENT, SORTEZ ET APPELEZ LES POMPIERS.
2. NE PRENEZ JAMAIS EN MAIN UNE POÊLE OU UNE CASSEROLE QUI A PRIS FEU, vous pourriez vous brûler.
3. N'UTILISEZ PAS D'EAU, ni de torchons ou de serviettes mouillés; vous pourriez provoquer une violente explosion de vapeur.
4. Utilisez un extincteur SEULEMENT LORSQUE :
 - A. Vous savez qu'il s'agit d'un extincteur de classe ABC et que vous en connaissez le fonctionnement.
 - B. L'incendie est petit et limité à l'endroit où il a débuté.
 - C. Les pompiers ont été avisés.
 - D. Vous pouvez combattre l'incendie en ayant accès à une sortie de secours.

*Tirées du *Kitchen Fire Safety Tips* publié par la NFPA.

ATTENTION

1. Pour une utilisation à l'intérieur seulement.
2. N'utilisez cet appareil que pour une ventilation générale. Ne l'utilisez pas pour évacuer des matières ou des vapeurs dangereuses ou explosives.
3. Pour éviter d'endommager le moteur et de rendre les rotors bruyants et/ou non équilibrés, gardez votre appareil à l'abri des poussières de gypse et de construction ou de rénovation, etc.
4. Le moteur de votre hotte est muni d'une protection thermique qui éteint automatiquement le moteur s'il surchauffe. Il redémarrera automatiquement une fois refroidi. Si le moteur continue à s'éteindre et à se remettre en marche, faites vérifier votre hotte.
5. Pour une meilleure évacuation des odeurs de cuisson, le bas de votre hotte devrait être à un minimum de 24 po et à un maximum de 30 po au-dessus de la surface de cuisson.
6. En raison de la grande dimension et du poids de cet appareil, il est recommandé de confier l'installation de cette hotte à deux personnes.
7. Afin de réduire le risque d'incendie et d'évacuer correctement l'air, assurez-vous d'évacuer l'air à l'extérieur. N'évacuez pas l'air dans des espaces clos comme l'intérieur des murs ou un plafond, dans le grenier, faux-plafond ou garage.
8. Cet appareil est doté d'un thermostat pouvant activer automatiquement le ventilateur. Pour réduire le risque de blessures et éviter l'activation accidentelle, couper le courant depuis le panneau d'alimentation électrique et verrouillez ou apposez un avertissement sur le panneau.
9. À cause de la grande capacité d'évacuation de cet appareil, il est recommandé d'ouvrir une fenêtre dans ou près de la cuisine afin de remplacer l'air évacué.
10. Cette hotte ne doit être utilisée qu'avec un ensemble de cordon d'alimentation approuvé.
11. Nous vous recommandons de lire l'étiquette indiquant les caractéristiques de votre appareil pour de plus amples renseignements et exigences.

TABLE DES MATIÈRES

1. INSTALLATION DES CONDUITS	19
2. PRÉPARATION DE L'INSTALLATION	20
3. PRÉPARATION DE LA HOTTE	21-24
4. INSTALLATION DE L'ADAPTATEUR/VOLET	25
5. INSTALLATION DE LA HOTTE	26
6. BRANCHEMENT ÉLECTRIQUE	26
7. RÉINSTALLATION DU PANNEAU INFÉRIEUR	27
8. AMPOULES	27
9. FONCTIONNEMENT	28
10. ENTRETIEN	29
11. SCHÉMA ÉLECTRIQUE	30
12. PIÈCES DE RECHANGE	31
13. GARANTIE	32

⚠ AVERTISSEMENT

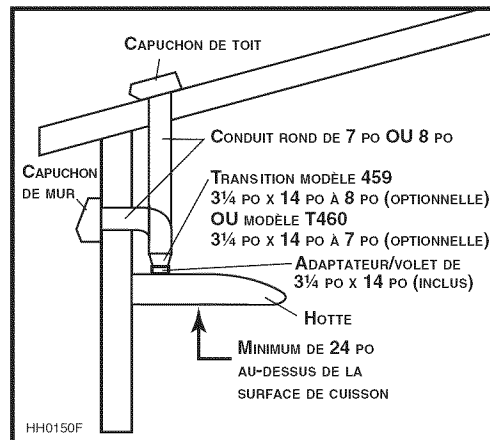
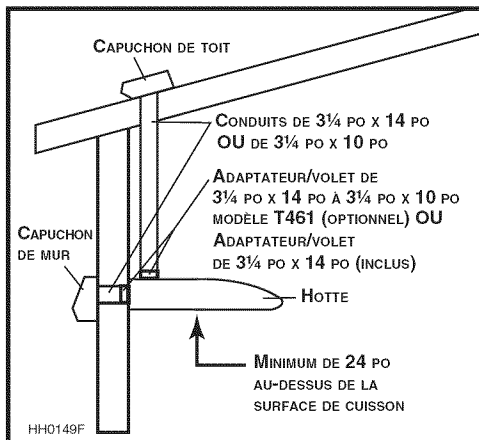
Il est recommandé de porter des lunettes et des gants de sécurité lors de l'installation, de l'entretien et de la réparation de cet appareil.

1. INSTALLATION DES CONDUITS

Planifier à quel endroit et de quelle façon les conduits seront installés. Installer des conduits de format adéquat, coude(s) et capuchon de mur ou de toit. Sceller les joints avec du ruban adhésif en toile de 2 po de largeur.

La distance minimale entre le bas de votre hotte et la surface de cuisson ne doit pas être inférieure à 24 po. Un maximum de 30 po au dessus de la surface de cuisson est fortement recommandé pour une meilleure évacuation des odeurs de cuisson.

Une distance de plus de 30 po demeure à la discrétion de l'installateur et de l'utilisateur.



2. PRÉPARATION DE L'INSTALLATION

S'assurer que les éléments suivants soient inclus :

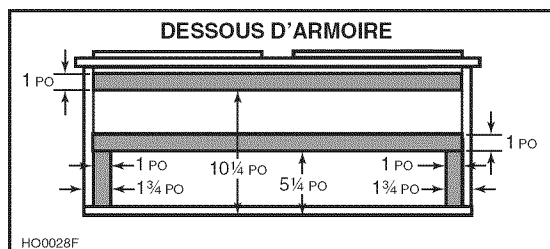
- Hotte
- Accessoires :
 - 2 filtres (2 pour les hottes de 30 po et de 36 po de large, 3 pour celles de 42 po de large)
 - Déviateur en plastique (assemblé dans la hotte)
 - Adaptateur/volet de 3 ¼ po x 14 po (à l'intérieur d'un embout en styromousse)
 - Sac de pièces (à l'intérieur d'un embout en styromousse) comprenant :
1 serre-fil, 6 vis n° 8 x 1/2 po, 2 connecteurs et 3 vis standard n° 6 x 1/2 po
 - Lampes halogènes avec écran (MR16, GU10, 120 V, 50 W)

Pièces vendues séparément :

- Transition ronde de 3 ¼ po x 14 po à 8 po, modèle 459 (optionnelle), transition ronde de 3 ¼ po x 14 po à 7 po modèle T460 (optionnelle), adaptateur/volet de 3 ¼ po x 14 po à 3 ¼ po x 10 po modèle T461 (optionnel), conduits, coudes, volets, capuchon de mur ou de toit.

NOTES : 1. Protéger la surface de cuisson ou le comptoir de cuisine lors de l'installation.

2. Si le fond de l'armoire est en retrait, fixer 4 languettes de bois de 1 po de large (non incluses), pour combler l'espace afin de bien retenir la hotte à l'armoire. Voir ci-dessous pour l'emplacement des languettes.

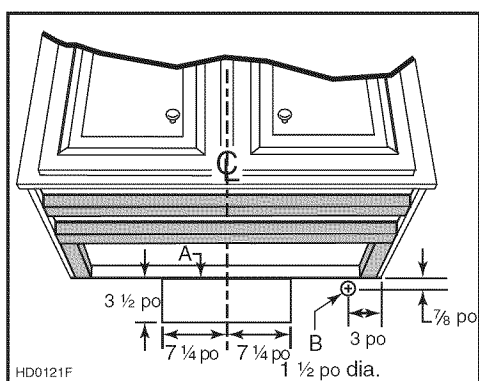


Découper, dans l'armoire ou le mur, les ouvertures pour le conduit (A) et le fil d'alimentation électrique (B), selon l'évacuation choisie.

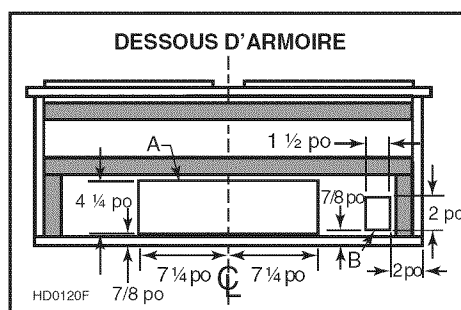
Voir les illustrations ci-dessous.

NOTE : Si l'adaptateur/volet optionnel de 3 ¼ po x 14 po à 3 ¼ po x 10 po (modèle T461) sera utilisé, la largeur de l'ouverture du conduit (A) sera de 10 ½ po, centrée.

ÉVACUATION HORIZONTALE

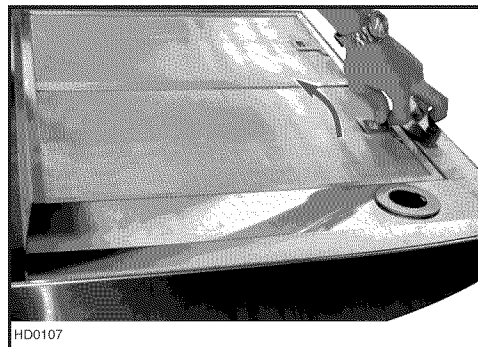


ÉVACUATION VERTICALE

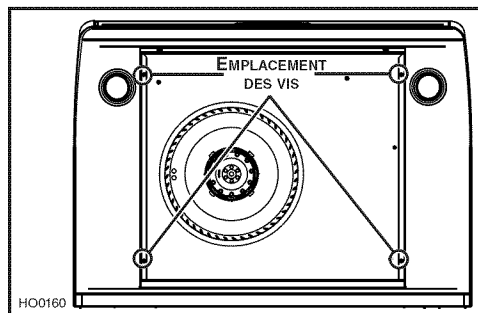


3. PRÉPARATION DE LA HOTTE

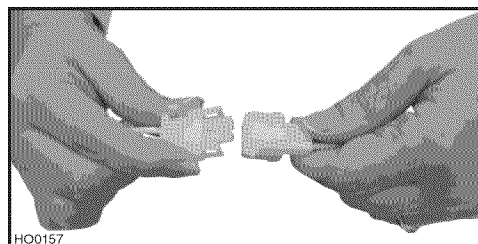
3.1 Tirer sur le loquet des filtres pour les retirer de la hotte.



3.2 Retirer les 2 vis de retenue de chaque panneau latéral et les mettre de côté.

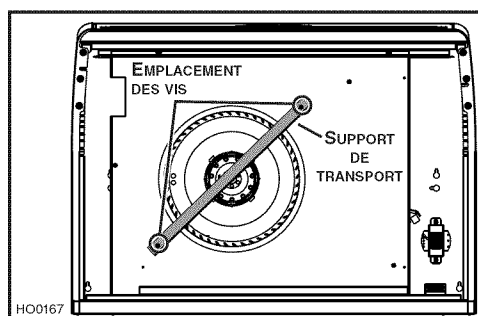


3.3 Appuyer sur les languettes et tirer afin de débrancher les assemblages lumière de leur harnais électrique. Retirer les panneaux et les mettre de côté.



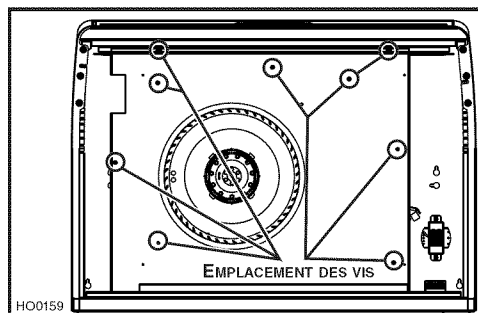
3.4 Retirer les deux vis de retenue du support de transport. Se défaire du support ainsi que d'une de ses vis (mettre la seconde vis de côté).

ATTENTION
Ne pas réinstaller le support de transport.



3.5 Retirer les 9 vis retenant le panneau inférieur à la hotte et les mettre de côté. Retirer le panneau inférieur et le mettre de côté.

NOTE : Fils non montrés dans l'illustration afin de faciliter la compréhension



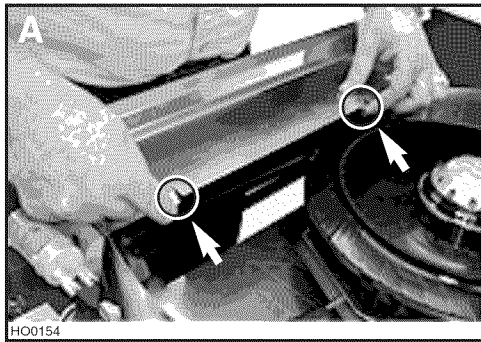
3. PRÉPARATION DE LA HOTTE (SUITE)

ÉVACUATION VERTICALE :

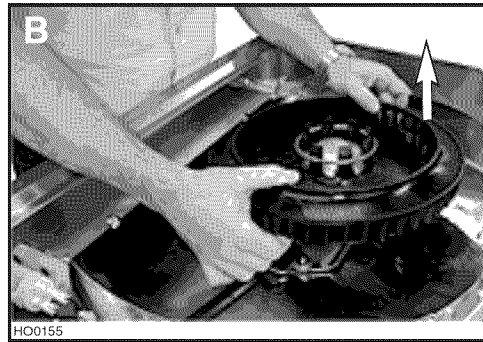
Passer à l'étape 3.11 à la page 24.

ÉVACUATION HORIZONTALE SEULEMENT :

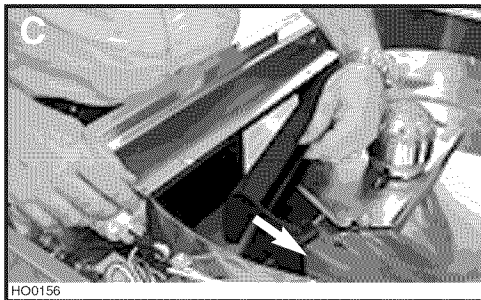
3.6 De l'intérieur de la hotte, retirer le déviateur en plastique et s'en défaire. Voir les 4 étapes et ci-dessous.



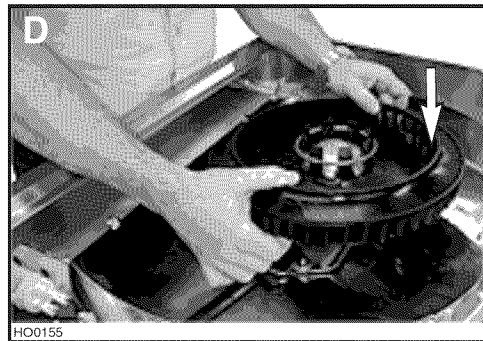
Déplier les deux pattes de la volute.



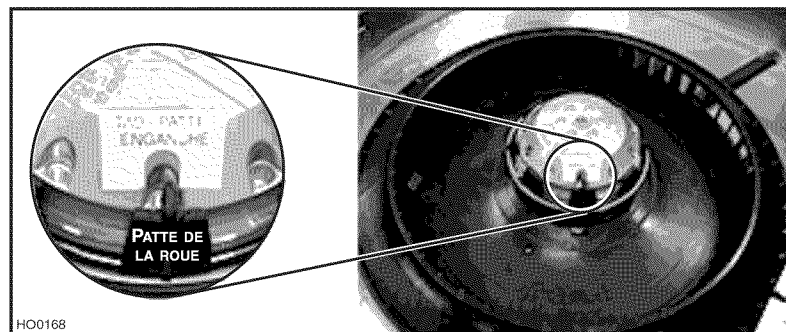
Soulever la roue afin de la retirer et la mettre de côté.



Glisser le déviateur en plastique hors de son emplacement et s'en défaire.



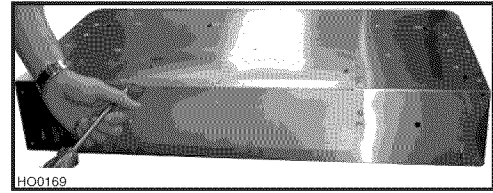
Réinstaller la roue en s'assurant que sa patte soit alignée avec l'autocollant jaune apposé sur le moteur. (Tel qu'il est illustré ci-dessous.)



3. PRÉPARATION DE LA HOTTE (SUITE)

ÉVACUATION HORIZONTALE SEULEMENT (SUITE) :

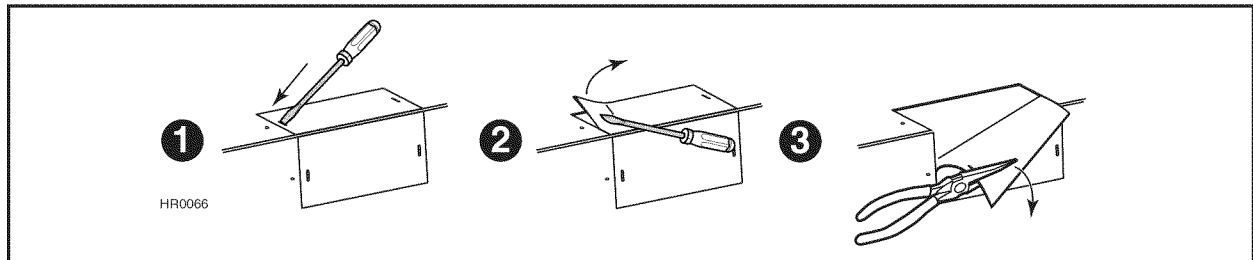
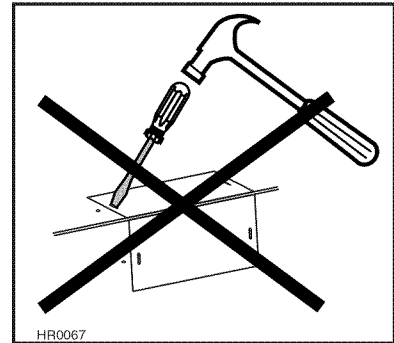
3.7 Retourner la hotte et dévisser les 3 vis retenant la plaque métallique à l'arrière de la hotte. Mettre les vis et la plaque de côté.



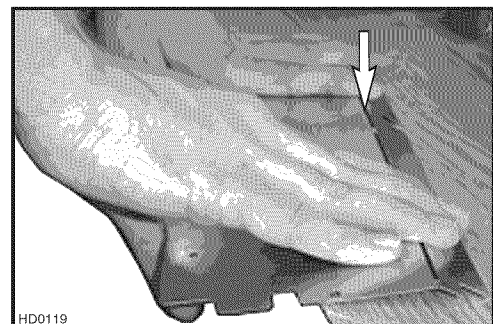
3.8 À l'aide d'un tournevis à lame plate, retirer l'ouverture préamorcée. Afin d'en faciliter le retrait, utiliser une pince à long bec lors de la troisième étape. Voir les illustrations ci-dessous.

ATTENTION

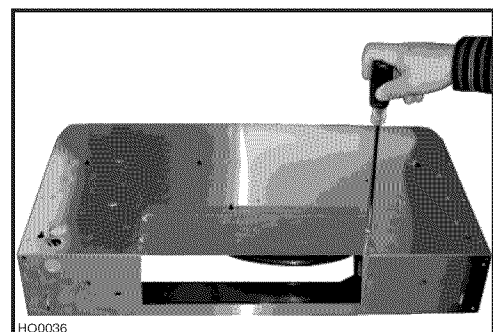
Ne jamais se servir d'un marteau et d'un tournevis afin de défoncer l'ouverture préamorcée, car ceci endommagera les pièces internes de la hotte.



3.9 Redresser le côté plié en appuyant la plaque métallique sur une surface plane.



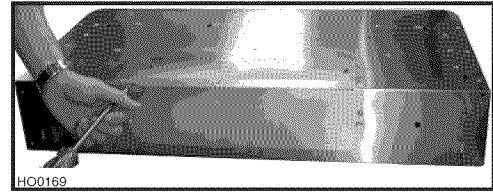
3.10 À l'aide des 3 vis (retirées au point 3.7), fixer la plaque métallique sur le dessus de la hotte.



3. PRÉPARATION DE LA HOTTE (SUITE)

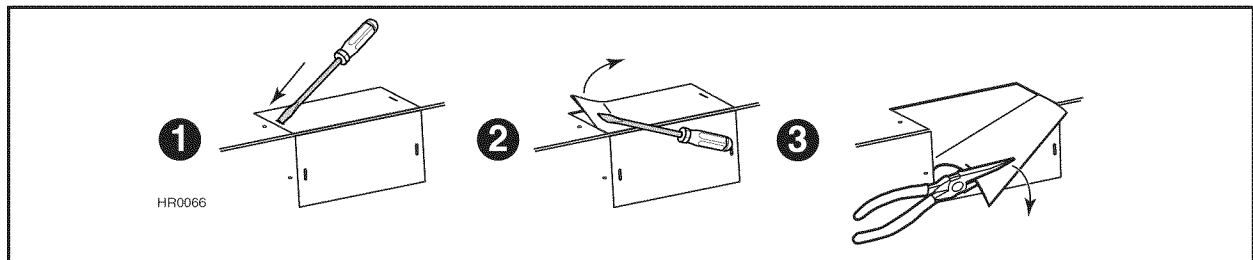
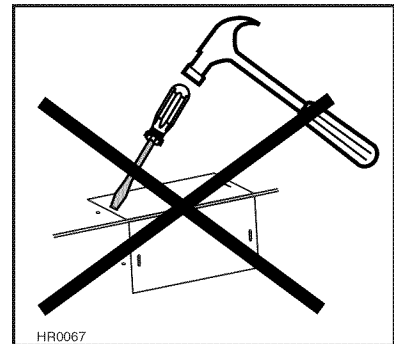
ÉVACUATION VERTICALE SEULEMENT :

3.11 Retourner la hotte et dévisser les 3 vis retenant la plaque métallique à l'arrière de la hotte. Mettre les vis et la plaque de côté.

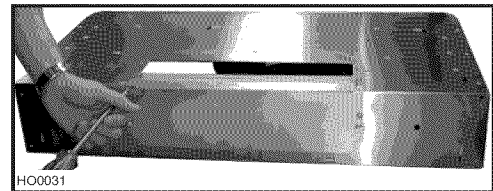


3.12 À l'aide d'un tournevis à lame plate, retirer l'ouverture préamorcée. Afin d'en faciliter le retrait, utiliser une pince à long bec lors de la troisième étape. Voir les illustrations ci-dessous.

ATTENTION
Ne jamais se servir d'un marteau et d'un tournevis afin de défoncer l'ouverture préamorcée, car ceci endommagera les pièces internes de la hotte.



3.13 À l'aide des 3 vis (retirées au point 3.11), fixer la plaque métallique à l'arrière de la hotte.



4. INSTALLATION DE L'ADAPTATEUR/VOLET

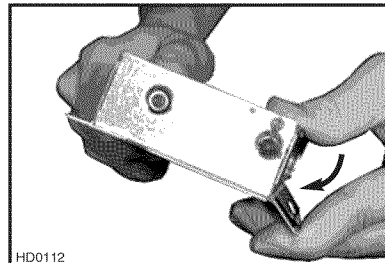
Le conduit doit être bien préparé pour recevoir l'adaptateur. Avant d'installer la hotte, s'assurer que l'adaptateur entre aisément à l'intérieur du conduit. Si cette hotte en remplace une autre, veuillez noter que l'emplacement de la sortie de l'air peut varier d'un manufacturier à l'autre.

NOTE : Si l'adaptateur/volet optionnel de 3¼ po x 14 po à 3¼ po x 10 po (modèle T461) est utilisé, se défaire de l'adaptateur/volet fourni avec la hotte et effectuer l'étape 4 avec l'adaptateur/volet optionnel modèle T461.

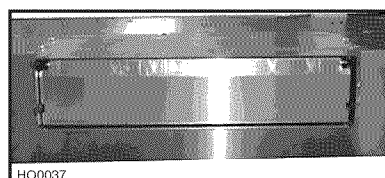
ÉVACUATION HORIZONTALE SEULEMENT :

4.1 Retirer le ruban adhésif du volet.

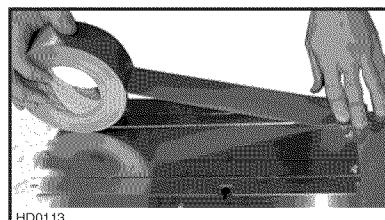
Plier le rebord pliable de façon à ce qu'il se situe à 90° par rapport aux autres rebords. Voir la photo ci-contre.



4.2 À l'aide des trois vis n° 6 x 1/2 po (fournies), fixer l'adaptateur à l'arrière de la hotte. Retirer le ruban adhésif sur le volet de l'adaptateur.



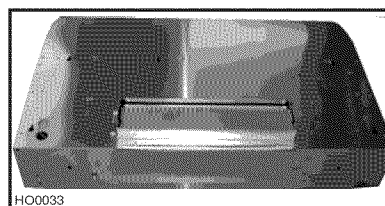
4.3 Sceller l'adaptateur et la plaque de métal à la hotte à l'aide de ruban adhésif en toile.



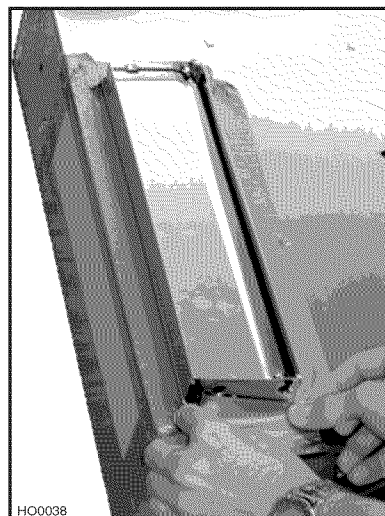
ÉVACUATION VERTICALE SEULEMENT :

4.4 Retirer le ruban adhésif du volet.

À l'aide des trois vis n° 6 x 1/2 po (fournies), fixer l'adaptateur sur le dessus de la hotte. Retirer le ruban adhésif sur le volet de l'adaptateur.

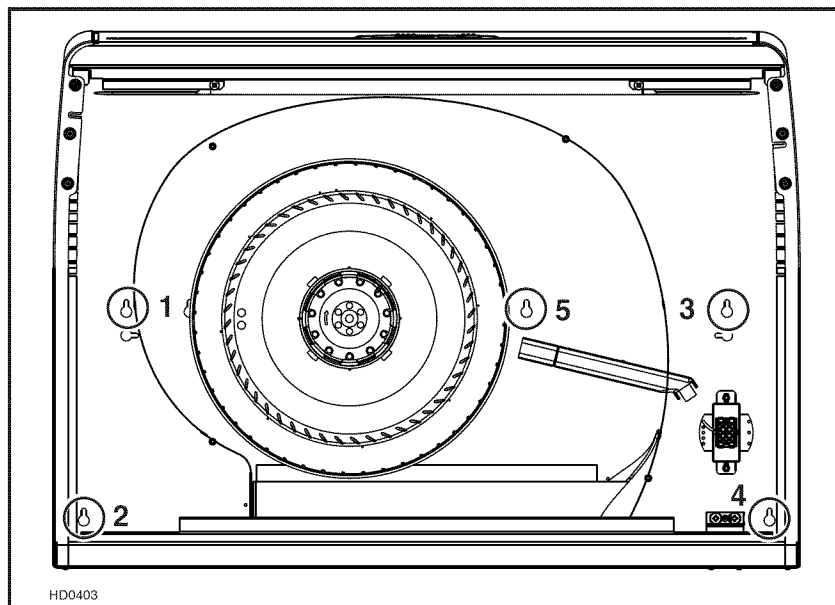


4.5 Sceller l'adaptateur et la plaque de métal à la hotte à l'aide de ruban adhésif en toile.



5. INSTALLATION DE LA HOTTE

- 5.1 Passer l'alimentation électrique jusqu'à l'endroit de l'installation. Placer la hotte à son emplacement. À l'aide d'un crayon, marquer la position des vis (petite partie des trous en forme de poire, voir les photos ci-dessous pour l'emplacement des 5 trous). Enlever la hotte.
- 5.2 Visser 4 vis n° 8 x 1/2 po en laissant un espace de 1/8 po (ne pas installer tout de suite la vis n° 5).



- 5.3 Insérer le serre-fil et passer le cordon d'alimentation électrique dans la hotte. Placer la hotte sous l'armoire, la glisser en position et serrer le serre-fil pour maintenir le cordon en place. S'assurer que l'adaptateur entre dans le conduit. Visser complètement les 4 vis, puis ajouter la dernière vis (vis n° 5) dans le trou du centre en forme de poire. S'assurer que le volet de l'adaptateur s'ouvre librement.

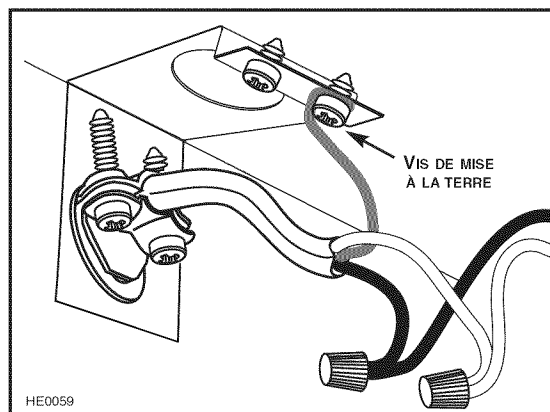
6. BRANCHEMENT ÉLECTRIQUE

⚠ AVERTISSEMENT

Risque d'électrocution. Le raccordement électrique doit être effectué par du personnel qualifié conformément aux codes et aux standards. Avant d'effectuer le branchement, coupez l'alimentation électrique au tableau de distribution principal et verrouillez-le pour éviter une mise en marche accidentelle.

Connecter les fils à la hotte en utilisant les connecteurs fournis.

Connecter le fil NOIR au NOIR, le BLANC au BLANC et le VERT ou FIL DÉNUDÉ sous la vis VERTE de mise à la terre. **NE PAS OUBLIER DE CONNECTER LA MISE À LA TERRE.**



7. RÉINSTALLATION DU PANNEAU INFÉRIEUR

ATTENTION

Ne pas coincer les fils lors de la réinstallation du panneau inférieur.

ATTENTION

Avant d'installer les filtres, retirer le film protecteur de plastique.

7.1 Réinstaller le panneau inférieur et le fixer à la hotte à l'aide des 9 vis précédemment retirées aux étapes 3.4 et 3.5, tel qu'il est illustré ci-contre.

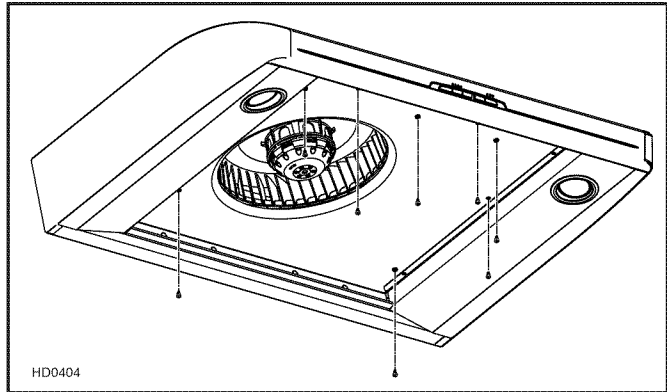
NOTE : Une des vis sera dissimulée par le panneau latéral gauche.

7.2 Rebrancher les assemblages lumière. Réinstaller les panneaux latéraux à l'aide des 4 vis précédemment retirées à l'étape 3.2.

ATTENTION

Ne pas réinstaller le support de transport.

7.3. Réinstaller les filtres.



8. AMPOULES

Cette hotte requiert deux ampoules halogènes avec écran de type MR16, à culot GU10, 120 V, 50 W max. (incluses).

⚠ AVERTISSEMENT

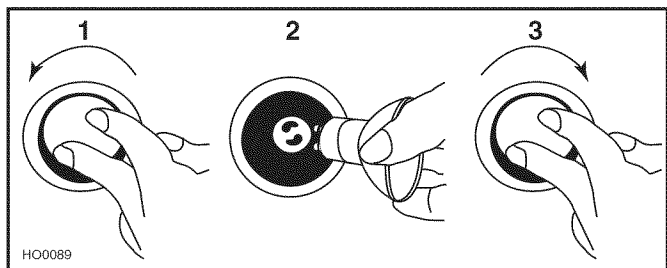
Afin de réduire le risque de blessures corporelles, n'installer que des ampoules halogènes avec écran. Aussi, ne jamais installer une ampoule à faisceau froid, dichroïque ou non conçue pour des luminaires fermés ou encastrés.

⚠ AVERTISSEMENT

Afin de réduire le risque de blessures corporelles, attendre que l'ampoule halogène soit refroidie avant de la retirer.

Afin de remplacer les ampoules :

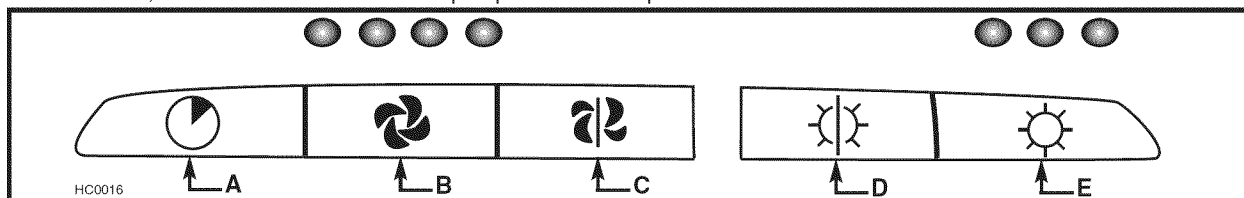
1. Pousser doucement l'ampoule à remplacer vers le haut et tourner dans le sens contraire des aiguilles d'une montre pour désengager les conducteurs hors de leurs rainures.
2. Installer la nouvelle ampoule en glissant ses conducteurs dans les rainures, à l'intérieur de la douille.
3. Pousser doucement vers le haut et tourner dans le sens des aiguilles d'une montre jusqu'à ce que l'ampoule soit bien en place.



NOTE : Si nécessaire, utiliser un gant à vaisselle pour obtenir une meilleure prise de l'ampoule lors de son retrait.

9. FONCTIONNEMENT

Toujours mettre en marche la hotte avant de commencer la cuisson afin d'établir une circulation d'air dans la cuisine. Aussi, laisser la hotte fonctionner quelques minutes après l'arrêt de la cuisinière afin d'aérer.



A) Commande d'arrêt différé

B) Commande de mise en marche/Vitesse du ventilateur

C) Commande d'arrêt du ventilateur/Entretien des filtres

D) Commande d'arrêt d'éclairage

E) Commande des lampes halogènes

A. COMMANDE D'ARRÊT DIFFÉRÉ :

Lorsque le ventilateur est en marche, appuyer sur ce bouton pour activer la fonction d'arrêt différé. L'indicateur lumineux de vitesse correspondante commencera à clignoter pour indiquer que la fonction est activée. Le ventilateur continuera de fonctionner pendant 5 minutes, puis s'arrêtera automatiquement. Pour annuler la fonction d'arrêt différé, appuyer de nouveau sur ce bouton.

NOTE : Lorsque la fonction d'arrêt différé est activée, la vitesse du ventilateur peut être augmentée ou diminuée à l'intérieur du même cycle de 5 minutes.

B. COMMANDE DE MISE EN MARCHÉ/VITESSE DU VENTILATEUR :

Appuyer sur ce bouton pour mettre en marche le ventilateur; il démarrera à la même vitesse réglée avant son dernier arrêt. Pour changer la vitesse du ventilateur, appuyer de nouveau sur le bouton jusqu'à l'obtention de la vitesse désirée.

NOTES : 1. À chaque fois que l'on appuie sur ce bouton, la vitesse change par incrément de 1 (ex. : de la vitesse 1, à 2, à 3, puis à 4. À partir de la quatrième vitesse, le ventilateur revient à la première [1]).

2. La dernière vitesse utilisée est gardée en mémoire. Lorsque le ventilateur est activé de nouveau, il reprend la même vitesse qu'au dernier réglage, sauf pour la 4^e vitesse, où il se met en marche à la vitesse 3.

HEAT SENTRY^{MC}

Votre hotte est équipée d'un capteur de température appelé HEAT SENTRY. Ce capteur mettra en marche automatiquement le ventilateur ou augmentera sa vitesse s'il détecte une chaleur excessive au-dessus de la surface de cuisson.

1) Si le ventilateur n'est pas en marche, il l'active à la 3^e vitesse.

2) Si le ventilateur est en marche à une vitesse inférieure ou en 4^e vitesse, il l'active à la 3^e vitesse.

Lorsque le capteur HEAT SENTRY est activé, l'indicateur lumineux de la dernière vitesse clignote. Lorsque la température revient à la normale, la vitesse du ventilateur retourne à sa position originale.

⚠ AVERTISSEMENT

Le capteur HEAT SENTRY peut activer le ventilateur même si la hotte est arrêtée. Dans ce cas, il est impossible d'arrêter le ventilateur à l'aide de son bouton d'arrêt. Pour éviter que le ventilateur ne démarre, couper l'alimentation électrique au tableau de distribution principal.

C. COMMANDE D'ARRÊT DU VENTILATEUR/ENTRETIEN DES FILTRES :

Appuyer sur ce bouton pour arrêter le ventilateur et annuler la fonction d'arrêt différé (si activée).

NOTE : Après 25 heures de fonctionnement, les 4 voyants lumineux des vitesses de ventilateur clignoteront pendant 30 secondes pour signifier que les filtres ont besoin d'être nettoyés afin de maintenir leur haut niveau d'efficacité. Les voyants lumineux clignoteront jusqu'à leur remise à zéro en appuyant sur ce bouton durant 3 secondes.

D. COMMANDE D'ARRÊT D'ÉCLAIRAGE :

Appuyer sur ce bouton pour éteindre les lumières.

E. COMMANDE DES LAMPES HALOGÈNES :

Appuyer sur ce bouton pour allumer les lampes halogènes. L'intensité d'éclairage change par incrément de 1 (ex. : appuyer une fois pour la basse intensité, une autre fois pour un peu plus d'éclairage, une fois encore pour un peu plus, jusqu'à trois fois). Depuis la plus haute intensité, appuyer de nouveau pour retourner à la plus basse.

NOTE : La dernière intensité lumineuse utilisée est gardée en mémoire. La prochaine fois que l'éclairage sera utilisé, les lampes halogènes éclaireront à cette intensité.

PROCÉDURE DE REMISE À ZÉRO :

Dans le cas où les commandes ne répondraient plus, couper l'alimentation électrique au tableau de distribution principal durant 5 secondes. Puis, rétablir le courant. Le fonctionnement des commandes sera rétabli.

10. ENTRETIEN

Filtres et panneau inférieur :

Les filtres et le panneau inférieur doivent être nettoyés régulièrement. Utiliser de l'eau chaude additionnée de détergent. Pour retirer les filtres, tirer sur leurs loquets en les poussant vers l'arrière de la hotte et les désengager de celle-ci.

Nettoyer les filtres métalliques au lave-vaisselle avec un détergent sans phosphate. L'utilisation d'un détergent avec phosphates, de même que la teneur en minéraux de l'eau, peut occasionner une décoloration des filtres, ce qui n'affectera en rien leur capacité de filtration. Cette décoloration n'est pas couverte par la garantie.

ACIER INOXYDABLE : Comment maintenir son apparence étincelante.

À faire : - Laver régulièrement les surfaces à l'aide d'un chiffon ou d'un linge propre imbibé d'eau tiède et de savon doux ou d'un détergent à vaisselle.

- Toujours nettoyer dans la direction des lignes de grains (direction du polissage).
- Toujours bien rincer avec de l'eau propre (2 ou 3 fois) après le nettoyage et essuyer complètement.
- Un nettoyant domestique conçu spécialement pour l'acier inoxydable peut aussi être utilisé.

À ne pas faire : - N'utiliser aucune laine d'acier ou d'acier inoxydable ou tout autre grattoir pour enlever la saleté tenace.

- N'utiliser aucune poudre nettoyante abrasive ou rugueuse.
- Ne pas laisser la saleté s'accumuler.
- Ne pas laisser la poussière de plâtre ou tout autre résidu de construction/rénovation atteindre la hotte. Couvrir la hotte pour la durée des travaux pour s'assurer qu'aucune poussière n'adhère à la surface de l'acier.

À éviter lors du choix d'un détergent :

- Tous produits nettoyants qui contiennent des **agents de blanchiment**; ils attaqueront l'acier inoxydable.
- Tous produits contenant du **chlorure, fluorure, iode** ou **bromure**; ils détérioreront rapidement les surfaces.
- Tous **produits combustibles** utilisés pour le nettoyage : **acétone, alcool, éther, benzène**, etc.; ils sont hautement explosifs et ne devraient jamais être utilisés près d'une cuisinière.

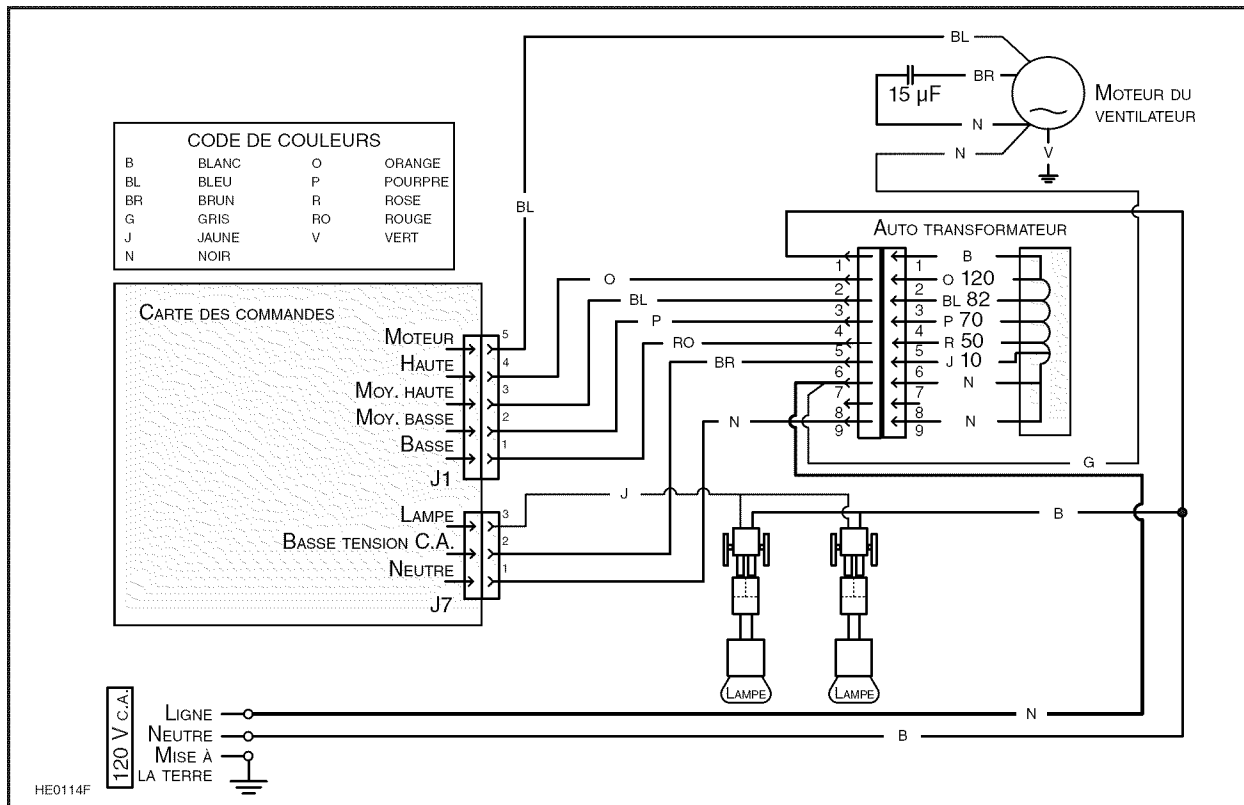
SURFACES PEINTES :

Nettoyer avec de l'eau chaude additionnée de détergent doux seulement. S'il y a décoloration, utiliser une bonne cire à peinture telle qu'une cire automobile. (NE PAS utiliser de nettoyant abrasif ou de nettoyant à porcelaine.)

11. SCHÉMA ÉLECTRIQUE

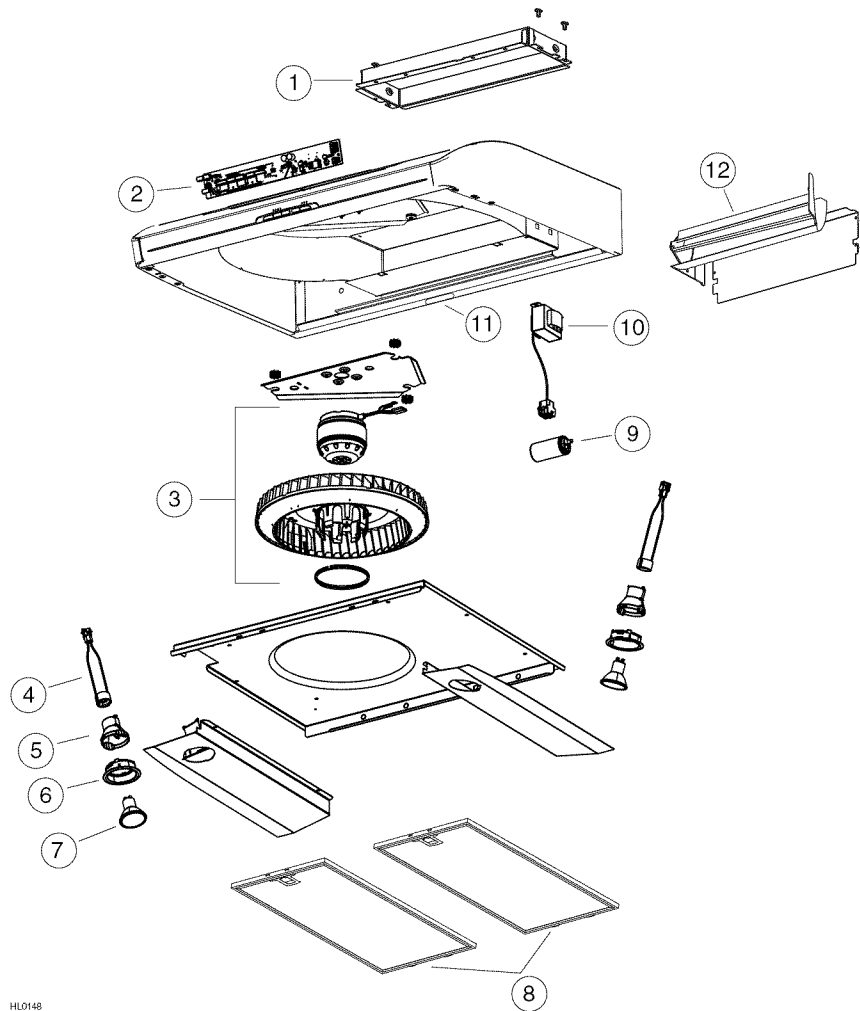
⚠ AVERTISSEMENT

Risque d'électrocution. Le raccordement électrique doit être effectué par du personnel qualifié conformément aux codes et aux standards. Avant d'effectuer le branchement, coupez l'alimentation électrique au panneau de service et verrouillez-le pour éviter une mise en marche accidentelle.



12. PIÈCES DE RECHANGE

MODÈLE E661



HL0148

N° DE REPÈRE	N° DE PIÈCE	DESCRIPTION	LARGEURS		
			30 PO	36 PO	42 PO
1	SV14971	ADAPTATEUR/VOLET	1	1	1
2	SV09225	COMMANDE ÉLECTRONIQUE	1	1	1
3	SV01766E	MOTEUR (AVEC ROUE)	1	1	1
4	SV05917	DOUILLE D'AMPOULE	2	2	2
5	SV09435	SUPPORT DE DOUILLE D'AMPOULE	2	2	2
6	SV09434	ANNEAU MÉTALLIQUE	2	2	2
7	SV05921	AMPOULE HALOGÈNE (50 W, 120 V, GU10)	2	2	2
8	SV06244	FILTRES 9,922 PO X 17,981 PO	2	-	3
	SV06264	FILTRES 12,922 PO X 17,981 PO	-	2	-
9	SV02160	CONDENSATEUR	1	1	1
10	SV07325	TRANSFORMATEUR	1	1	1
11	SV06750	LOGO BROAN ÉLITE	1	1	1
12	SV06252	DÉVIATEUR	1	1	1
*	SV09440	GUIDE D'INSTALLATION	1	1	1
*	SV06751	SAC DE PIÈCES : 1 SERRE-FILS LP16-AP, 2 CAPUCHONS DE CONNEXION N° 74B, 6 VIS N° 8 X 1/2 PO, 3 VIS N° 6 X 1/2 PO	1		

*Non illustré.

PIÈCES DE REMPLACEMENT ET SERVICE :

Pour assurer le bon fonctionnement de votre appareil, vous devez toujours utiliser des pièces d'origine provenant de Broan-NuTone. Les pièces d'origine de Broan-NuTone sont spécialement conçues pour satisfaire toutes les normes de certification de sécurité applicables. Leur remplacement par des pièces ne provenant pas de Broan-NuTone pourrait ne pas assurer la sécurité de l'appareil, entraîner une réduction sévère des performances ainsi qu'un risque de défaillance prématurée. Broan-NuTone recommande également de toujours vous référer à une entreprise de services compétente et reconnue par Broan-NuTone pour vos pièces de remplacement et appels de service.

13. GARANTIE

GARANTIE LIMITÉE DE UN AN DES PRODUITS BROAN ELITE

Broan-NuTone LLC (Broan-NuTone) garantit à l'acheteur consommateur initial des produits Broan Elite qu'ils sont exempts de tout défaut dans les matières premières ou la main-d'œuvre, pour une période de un an à compter de la date d'achat par le consommateur initial. IL N'Y A PAS D'AUTRES GARANTIES, EXPRIMÉES OU IMPLICITES, INCLUANT, MAIS NON LIMITÉES AUX GARANTIES IMPLICITES POUR FIN DE COMMERCIALISATION ET DE CONVENANCE DANS UN BUT PARTICULIER.

Durant cette période de un an, Broan-NuTone, à sa discrétion, réparera ou remplacera gratuitement tout produit ou pièce qui s'avère défectueux et ayant été utilisé normalement et d'une manière non abusive.

CETTE GARANTIE NE COUVRE PAS LES STARTERS DE TUBES FLUORESCENTS, LES FLUORESCENTS, LES AMPOULES HALOGÈNES ET À INCANDESCENCE, LES FUSIBLES, LES FILTRES, LES CONDUITS, LES CAPUCHONS DE TOIT, LES CAPUCHONS DE MUR ET LES AUTRES ACCESSOIRES DE CONDUITS. Cette garantie ne couvre pas (a) l'entretien et le service normal ou (b) tout produit ou pièce endommagé à la suite de mauvais usage, négligence, accident, entretien inapproprié ou réparation (autre que par Broan-NuTone), mauvaise installation ou installation non conforme au mode d'installation recommandé.

La durée de toute garantie implicite est limitée à une période de un an telle qu'elle est spécifiée pour la garantie exprimée. Certains États ou provinces ne permettent pas de limite de temps sur les garanties implicites. Si tel est le cas, veuillez ne pas tenir compte de la dernière limite décrite ci-dessus.

L'ENGAGEMENT DE BROAN-NUTONE DE RÉPARER OU DE REMPLACER, AU CHOIX DE BROAN-NUTONE, SERA LA SEULE OBLIGATION EXCLUSIVE SOUS CETTE GARANTIE. BROAN-NUTONE NE SERA PAS TENUE RESPONSABLE DES DOMMAGES DIRECTS, INDIRECTS OU SPÉCIAUX SURVENANT À CAUSE DE OU EN RAPPORT À L'UTILISATION OU À LA PERFORMANCE DE SES PRODUITS. Certains États ou provinces ne permettent pas l'exclusion ou la limite relative aux dommages directs, indirects ou spéciaux. Si tel est le cas, veuillez ne pas tenir compte de l'exclusion ou de la limite ci-dessus.

Cette garantie vous donne des droits légaux spécifiques et il se peut que vous ayez d'autres droits qui varient d'un État ou d'une province à l'autre. Cette garantie annule toutes les autres garanties précédentes.

Pour le service sous garantie, vous devez (a) aviser Broan-NuTone à l'adresse ou numéro de téléphone mentionné plus bas, (b) donner le numéro du modèle et l'identification de la pièce et (c) décrire la nature de tout défaut dans le produit ou la pièce. Au moment de la demande de service sous garantie, vous devez présenter une preuve de la date d'achat initial dudit produit.

Broan-NuTone LLC; 926 W. State Street, Hartford, Wisconsin 53027 www.broan.com 1 800 558-1711

INSTRUCCIONES DE INSTALACIÓN

BROAN[®] *Elite*



MODELO E661

⚠ EXCLUSIVAMENTE PARA COCINAS DOMÉSTICAS ⚠

LEA ESTAS INSTRUCCIONES Y GUÁRDELAS

INSTALADOR: ENTREGUE ESTE MANUAL AL PROPIETARIO DE LA CASA.
PROPIETARIO: INFORMACIÓN SOBRE UTILIZACIÓN Y CUIDADO EN
LAS PÁGINAS 44 Y 45.

Broan-NuTone LLC; Hartford, Wisconsin www.broan.com 1-800-558-1711

REGISTRE SU PRODUCTO EN LÍNEA EN: www.broan.com/register

SV09440 rev. 02

ADVERTENCIA

PARA REDUCIR EL RIESGO DE INCENDIO, DESCARGA ELÉCTRICA, O LESIÓN CORPORAL, RESPETE LAS SIGUIENTES INDICACIONES:

1. Utilice esta unidad únicamente de la forma en que indica el fabricante. Si tiene cualquier pregunta, póngase en contacto con el fabricante en la dirección o el teléfono que aparecen en la garantía.
2. Antes de reparar o limpiar el aparato, apáguelo en el tablero de servicio y bloquee los medios de desconexión para impedir que la corriente se conecte accidentalmente. Cuando no se pueda bloquear los medios de desconexión, coloque un dispositivo de advertencia visible (como una tarjeta) en el tablero de servicio.
3. La instalación y la conexión eléctrica deben ser realizadas por personal competente de acuerdo con todos los códigos y las normas aplicables, incluso los relativos a la construcción ignífuga.
4. Para lograr una combustión adecuada y una extracción correcta de los gases a través de la salida del humo (chimenea) del equipo quemador de combustible - evitando así el contratiro - es necesario disponer de aire suficiente. Siga las directrices del fabricante del equipo de material térmico y las normas de seguridad, como las que publica la NFPA (asociación de protección nacional contra los incendios), y la ASHRAE (sociedad estadounidense de técnicos de calefacción, refrigeración y aire acondicionado), así como los códigos de los organismos responsables locales.
5. Al cortar o perforar la pared o el techo, procure no dañar el cableado eléctrico ni otras instalaciones ocultas.
6. Los ventiladores entubados deben tener salida siempre al exterior.
7. No use este aparato con ningún otro dispositivo de control de velocidad con semiconductores.
8. Para reducir el riesgo de incendio, utilice sólo tuberías metálicas.
9. Este aparato debe conectarse a tierra.
10. Al instalar, reparar o limpiar el aparato se aconseja el uso de lentes y guantes de seguridad.
11. Cuando una reglamentación local esta en vigor y conlleva exigencias de instalación y/o de certificación más estrictas, susodichas exigencias prevalecen sobre aquellas en este documento y el instalador acepta someterse a estas exigencias a sus gastos.

PARA REDUCIR EL RIESGO DE QUE ARDA LA GRASA EN LA PARTE SUPERIOR DE LA COCINA:

- a) No deje nunca recipientes de cocina a fuego vivo sin vigilancia. Los desbordamientos producen humo y derrames grasiosos que pueden inflamarse. Caliente el aceite despacio, a fuego lento o mediano.
- b) Ponga en marcha siempre la campana extractora al cocinar a temperaturas elevadas o al cocinar alimentos flameados (crepas Suzette, cerezas jubilee, res con pimienta flambeada).
- c) Limpie los ventiladores con frecuencia. No deje que la grasa se acumule en el ventilador ni en el filtro.
- d) Utilice cacerolas de tamaño apropiado. Emplee siempre un recipiente adecuado para el tamaño de la placa.

ADVERTENCIA

PARA REDUCIR EL RIESGO DE LESIONES CORPORALES EN EL CASO DE QUE ARDA LA GRASA EN LA PARTE SUPERIOR DE LA COCINA, SIGA ESTAS INDICACIONES*:

1. SOFOQUE LAS LLAMAS con una tapa ajustada, una hoja o bandeja metálica para hornear galletas, y apague luego el quemador. TENGA CUIDADO PARA EVITAR QUEMADURAS. SI LA LLAMAS NO SE APAGAN INMEDIATAMENTE, EVACUE EL LUGAR Y LLAME A LOS BOMBEROS.
2. NO SUJETE NUNCA UNA SARTÉN EN LLAMAS – Ya que podría quemarse.
3. NO USE AGUA, ni trapos húmedos - Pódria causar una violenta explosión de vapor.
4. Utilice un extintor SOLAMENTE si:
 - A. Tiene un extintor de tipo ABC y sabe usarlo.
 - B. El incendio es pequeño y está restringido al área donde empezó.
 - C. Ya ha llamado a los bomberos.
 - D. Puede tratar de apagar el fuego si dispone siempre de una salida detrás de usted.

* Fuente: "Kitchen Fire Safety Tips" publicado por la (NFPA).

PRECAUCIÓN

1. Sólo para una utilización en el interior.
2. Sólo para ventilación general. No debe utilizarse para extraer materiales o vapores peligrosos o explosivos.
3. Para evitar daños en el cojinete del motor y que la hélice haga ruido o se desequilibre, mantenga la unidad de alimentación lejos de vaporizadores de pirca, del polvo de la construcción, etc.
4. El motor del dispositivo tiene un dispositivo contra sobrecargas térmicas que apaga el motor automáticamente si éste se sobrecalienta. El motor volverá a ponerse en marcha cuando se enfríe. Si el motor sigue apagándose, haga examina la campana.
5. La distancia mínima entre la campana y la superficie de la cocina no debe ser inferior a 24 pulgadas. Se aconseja encarecidamente una distancia máxima de 30 pulgadas para que la campana capte mejor las impurezas que se desprenden al cocinar.
6. Dada el peso y el tamaño de esta campana, se aconseja que la instalen dos personas.
7. Para reducir los riesgos de incendio y extraer el aire debidamente, el aire debe evacuarse fuera – No extraiga el aire en espacios situados entre las paredes en el techo o en el desván, falso techo o garaje. Este producto está equipado con un termostato que puede poner en marcha el ventilador automáticamente. Para reducir el riesgo de que se produzcan daños y evitar poner en marcha la alimentación accidentalmente, apague la corriente en el tablero de servicio, bloquee este tablero o ponga una etiqueta de advertencia.
9. Dada la gran capacidad extractora de esta campana, debería asegurarse de que en la casa entra suficiente aire para sustituir el aire extraído. Abra para ello una ventana o cerca de ella.
10. Utilícelo sólo con un conjunto autorizado de conexión con cordón.
11. Para mayor información y conocer los requisitos, lea la etiqueta con las especificaciones en el producto.

ÍNDICE

1. INSTALACIÓN DE LA TUBERÍA	35
2. PREPARACIÓN DE LA INSTALACIÓN	36
3. PREPARACIÓN DE LA CAMPANA	37-40
4. INSTALACIÓN DEL ADAPTADOR	41
5. INSTALACIÓN DE LA CAMPANA	42
6. CONEXIÓN DEL CABLEADO	42
7. INSTALACIÓN DEL TABLERO INFERIOR	43
8. BOMBILLAS	43
9. FUNCIONAMIENTO	44
10. UTILIZACIÓN Y CUIDADO	45
11. DIAGRAMA ELÉCTRICO	46
12. PIEZAS	47
13. GARANTÍA	48

⚠ ADVERTENCIA

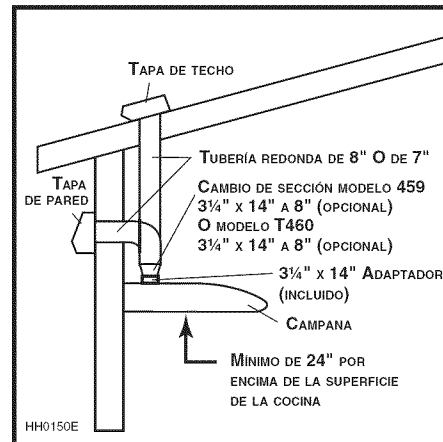
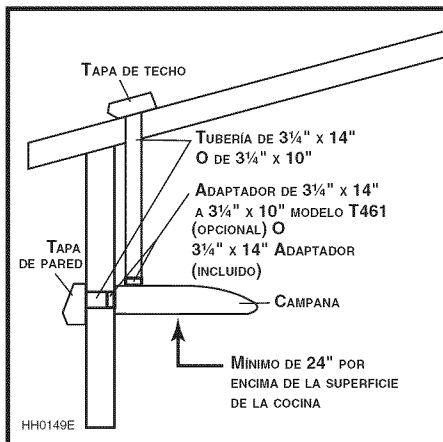
Al instalar, reparar o limpiar el aparato se aconseja el uso de lentes y guantes de seguridad.

1. INSTALACIÓN DE LA TUBERÍA

Planifique el lugar y la forma en que se instalará la tubería. Instale una tubería, codos y tapas de tamaños adecuados. Utilice cinta para tubos de 2 pulgadas para obturar las juntas de los tubos.

La distancia mínima entre la campana y la superficie de la cocina no debe ser inferior a 24 pulgadas. Se aconseja encarecidamente una distancia máxima de 30 pulgadas para que la campana capte mejor las impurezas que se desprenden al cocinar.

Las distancias superiores a 30 pulgadas son a discreción del instalador o del usuario.



2. PREPARACIÓN DE LA INSTALACIÓN

Compruebe que el aparato viene con los elementos siguientes:

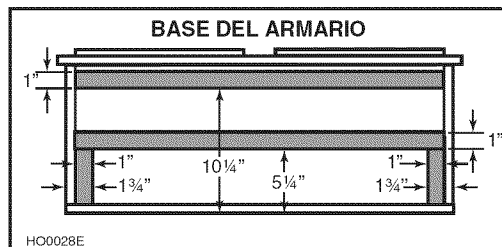
- Campana
- Accesorios:
 - Filtros (2 para las campanas de 30" y 36" de ancho; 3 para la campana de 42" de ancho)
 - Desviador de corriente (junto a la campana)
 - Adaptador 3¼" x 14" (en una tapa blanca que protegida la campana)
 - Bolsa con piezas (en una tapa blanca que protegida la campana), que comprende:
 - 1 abrazadera de cable, 6 tornillos n.º 8 de 1/2", 2 conectores de hilos y 3 tornillos estándar n.º 6 de 1/2"
 - Luces halógenas (MR16, GU10, 120 V, 50 W)

Piezas vendida aparte:

- Cambio de sección de 3¼" x 14" a 8" redondo, modelo n.º 459 (opcional), cambio de sección de 3¼" x 14" a 7" redondo, modelo n.º T460 (opcional), adaptador 3¼" x 10" 3¼" x 14" a 3¼" x 10" modelo n.º T461 (opcional), tuberías, codos, reguladores de tiro, tapas de pared o de techo.

NOTAS: 1. Proteja la encimera y la parte superior de la cocina durante la instalación.

2. Si la parte inferior del armario está empotrada, instale 4 tiras de madera de 1" de ancho (no incluidas), para llenar el espacio. Consulte la imagen de al lado para instalar adecuadamente las tiras de madera.

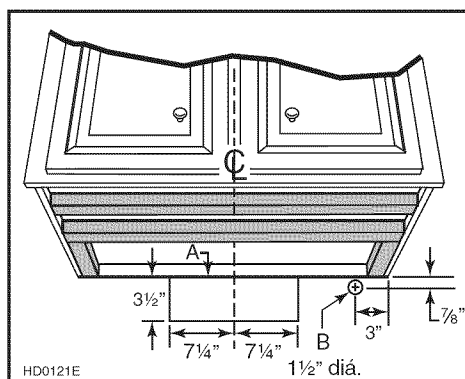


Corte las aberturas para la tubería (A) y el cable de alimentación (B) en el armario o en la pared, según el tipo de evacuación que se haya elegido.

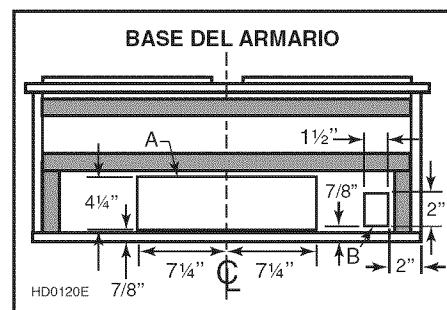
Véanse las siguientes imágenes.

NOTA: Si el adaptador opcional 3¼" x 14" a 3¼" x 10" modelo T461 debe ser utilizado, la anchura de la abertura para la tubería (A) debe ser de 10½", centrada.

EVACUACIÓN HORIZONTAL

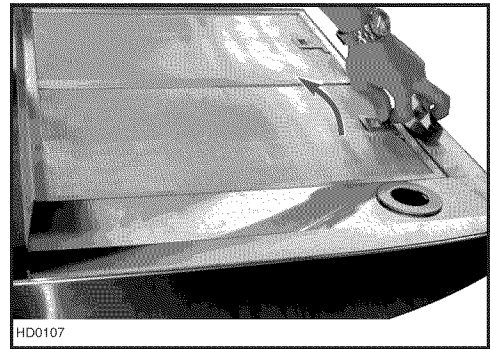


EVACUACIÓN VERTICAL

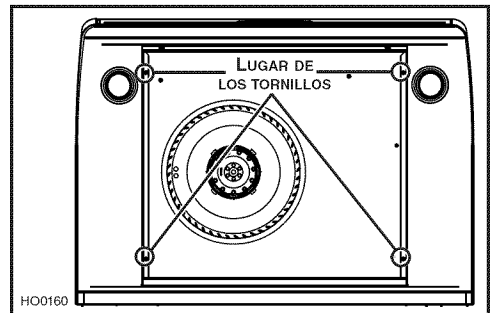


3. PREPARACIÓN DE LA CAMPANA

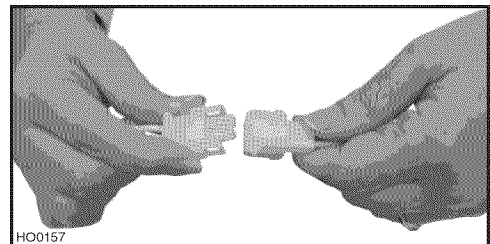
3.1 Saque los filtros de la campana tirando de la lengüetas.



3.2 Quite los tornillos que sujetan cada tablero lateral y póngalos a un lado.

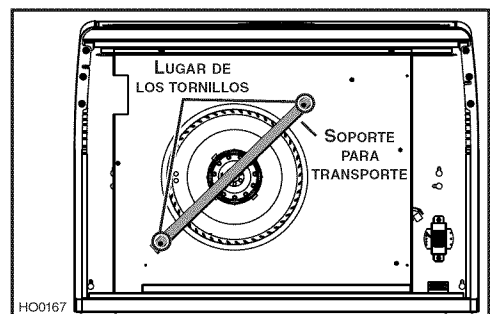


3.3 Presione en las pestañas y jale para desconectar los conjuntos de la luz de los cableados eléctricos. Quite ambos tableros y póngalos a un lado.



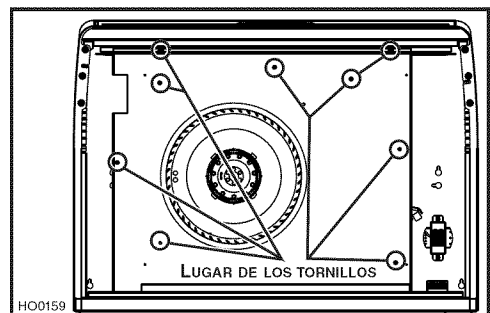
3.4 Quite los tornillos que sujetan el soporte para transporte. Deseche el soporte y uno de los tornillos (consERVE el segundo tornillo).

PRECAUCIÓN
No vuelva a instalar el soporte para transporte.



3.5 Retira los 9 tornillos que sujetan el tablero inferior a la campana y póngalos de lado. Saque el tablero inferior.

NOTA: Los hilos no aparecen en la ilustración para mayor claridad.



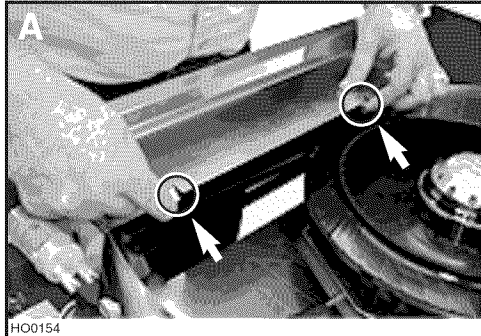
3. PREPARACIÓN DE LA CAMPANA (CONTINUACIÓN)

SÓLO PARA EVACUACIÓN VERTICAL:

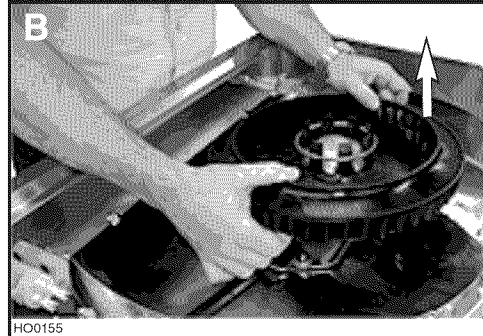
Vaya a la etapa 3.11 en la página 40.

SÓLO PARA EVACUACIÓN HORIZONTAL:

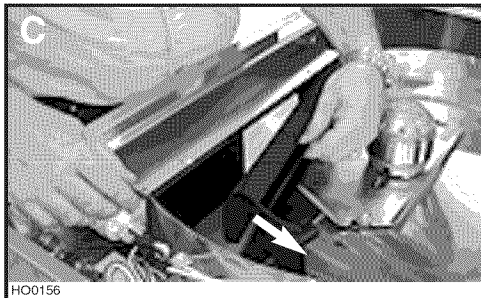
3.6 Retire y deseche el desviador de plástico del aire desde el interior de la campana siguiendo las 4 etapas que se muestran abajo.



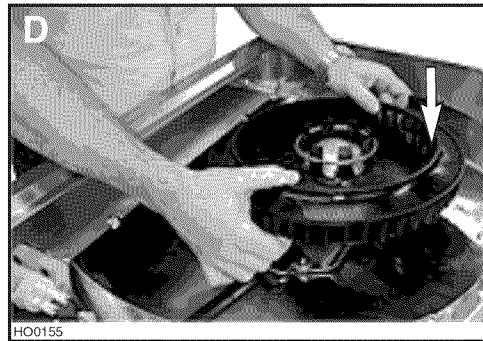
Despliegue las lengüetas de deslizamiento del ventilador.



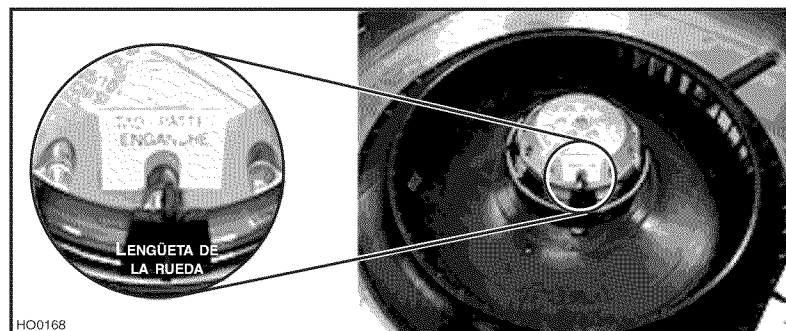
Levante la rueda del ventilador para quitarla y póngala a un lado.



Saque el desviador de plástico y deséchelo.



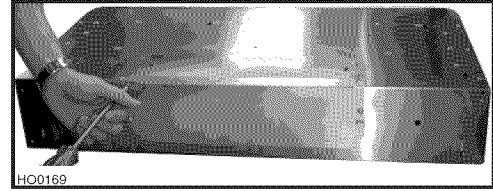
Vuelva a instalar la rueda del ventilador procurando que su lengüeta coincida con la etiqueta amarilla pegada en el motor. (Como se ve abajo.)



3. PREPARACIÓN DE LA CAMPANA (CONTINUACIÓN)

SÓLO PARA EVACUACIÓN HORIZONTAL (CONTINUACIÓN):

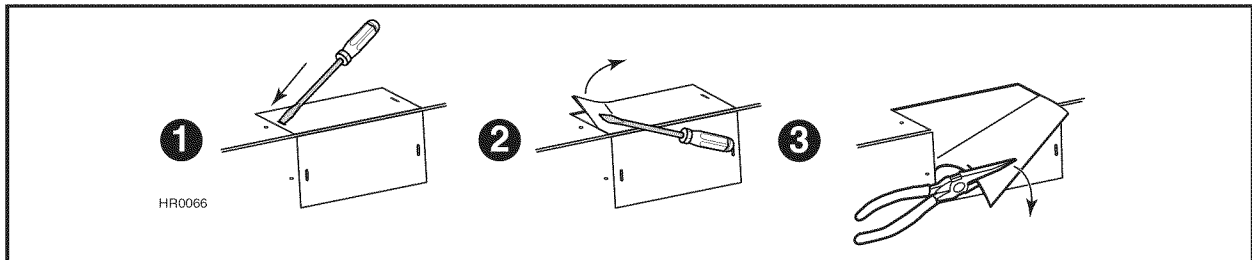
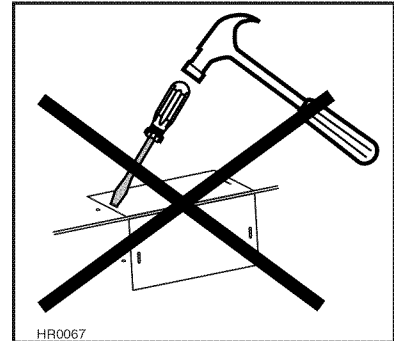
- 3.7 Voltee la campana y quite la placa metálica de cierre de la parte trasera de la campana retirando sus 3 tornillos de retención. Ponga los tornillos a un lado.



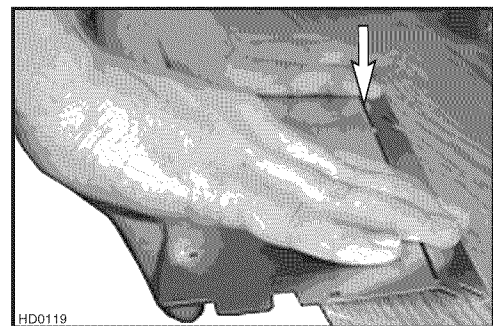
- 3.8 Utilice un destornillador de punta plana recta para quitar la pieza desmontable de descarga. Para que resulte más fácil, use unos alicates de boca alargada para la tercera etapa. Véanse las ilustraciones abajo.

PRECAUCIÓN

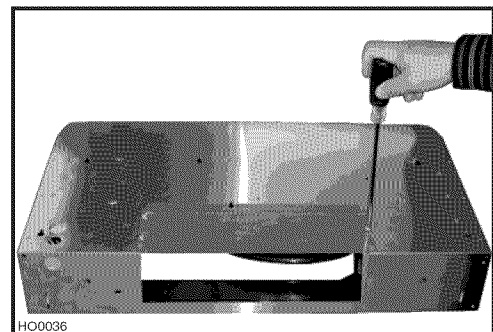
No utilice nunca un martillo y un destornillador para perforar la pieza desmontable de descarga vertical u horizontal porque podría dañar las piezas internas de la campana.



- 3.9 Presione hacia abajo en la placa metálica hasta que quede totalmente plana.



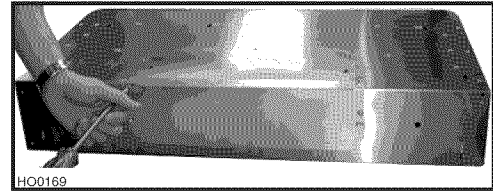
- 3.10 Use los 3 tornillos que quitó en la etapa 3.7 para instalar la placa metálica de cierre en la parte superior de la campana.



3. PREPARACIÓN DE LA CAMPANA (CONTINUACIÓN)

SÓLO PARA EVACUACIÓN VERTICAL:

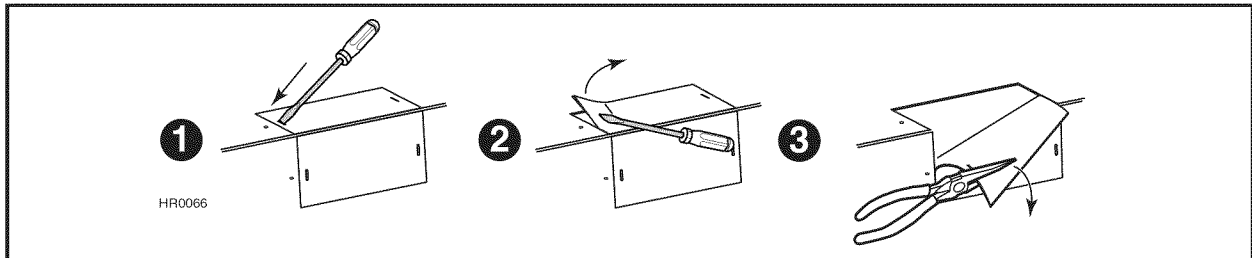
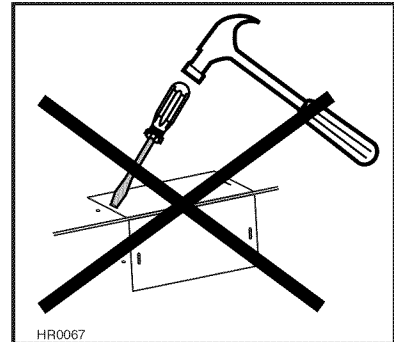
3.11 Voltee la campana y quite la placa metálica de cierre de la parte trasera de la campana retirando sus 3 tornillos de retención. Ponga los tornillos a un lado.



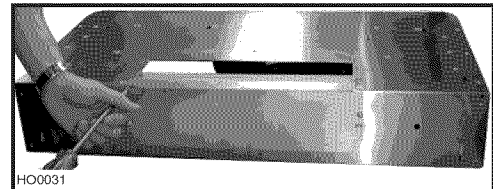
3.12 Utilice un destornillador de punta plana recta para quitar la pieza desmontable de descarga. Para que resulte más fácil, use unos alicates de boca alargada para la tercera etapa. Véanse las ilustraciones abajo.

PRECAUCIÓN

No utilice nunca un martillo y un destornillador para perforar la pieza desmontable de descarga vertical u horizontal porque podría dañar las piezas internas de la campana.



3.13 Use los 3 tornillos que quitó en la etapa 3.11 para instalar la placa metálica de cierre en la parte trasera de la campana.



4. INSTALACIÓN DEL ADAPTADOR

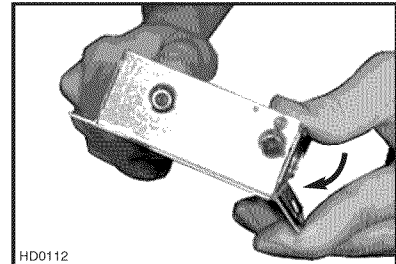
La tubería de pared debe estar bien preparada para colocar en ella el adaptador. Antes de efectuar la instalación, compruebe que el adaptador entra bien en la tubería. Si la campana que está instalado sustituye a otra, tenga en cuenta que el lugar de la evacuación del aire puede cambiar de un fabricante a otro.

NOTA: Si el adaptador opcional 3¼" x 14" a 3¼" x 10" modelo T461 es utilizado, deséchelo el adaptador incluido con la campana y hace la etapa 4 con el adaptador opcional T461.

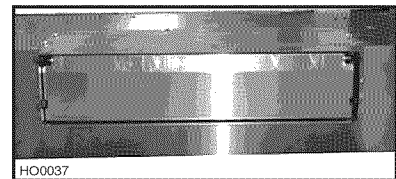
SÓLO PARA EVACUACIÓN HORIZONTAL:

4.1 Retire la cinta del dispositivo de cierre.

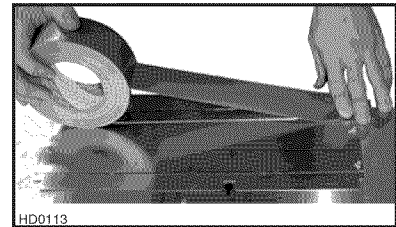
Despliegue el reborde desplegable del adaptador. Este reborde debe estar a 90° de los otros rebordes. Véase la foto de al lado.



4.2 Utilice los 3 tornillos n.º 6 de 1/2" que vienen con la campana para sujetar el adaptador a la parte trasera de la campana. Retire la cinta del regulador de tiro.



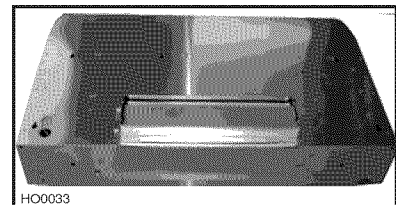
4.3 Pegue el adaptador y la placa metálica en la campana con cinta para tubos.



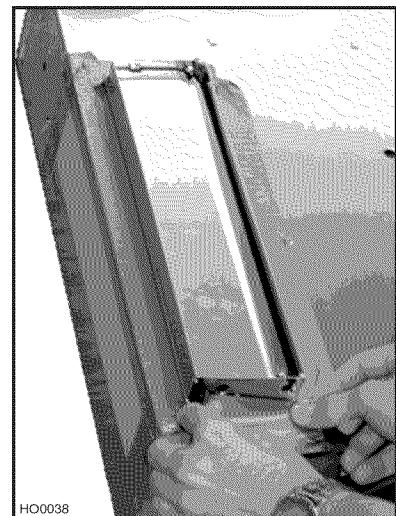
SÓLO PARA EVACUACIÓN VERTICAL:

4.4 Retire la cinta del dispositivo de cierre.

Utilice los 3 tornillos n.º 6 de 1/2" que vienen con la campana para sujetar el adaptador a la parte superior de la campana. Retire la cinta del regulador de tiro.

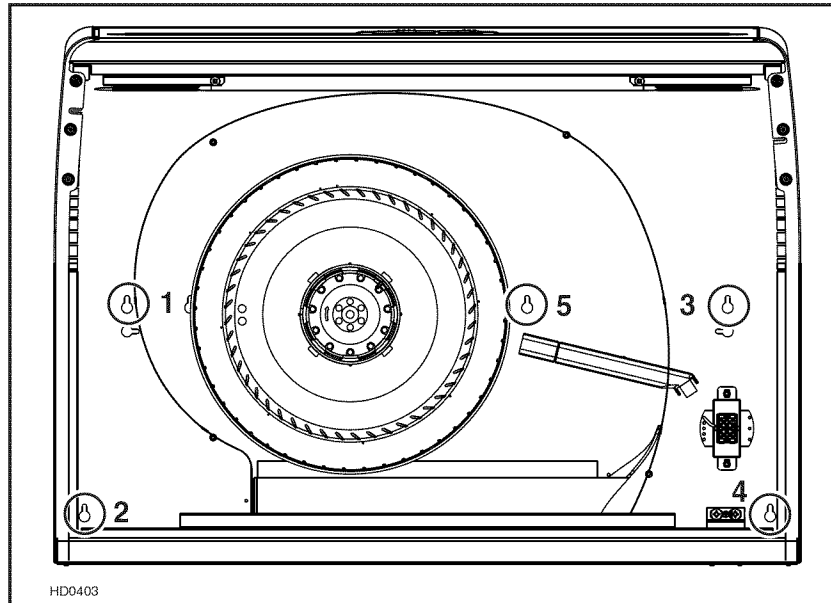


4.5 Pegue el adaptador y la placa metálica en la campana con cinta para tubos.



5. INSTALACIÓN DE LA CAMPANA

- 5.1 Lieve el cable de alimentación hasta el lugar de la instalación. Coloque la campana en su lugar. Marque con un lápiz el lugar de los tornillos (parte más pequeña de los agujeros, véanse la ilustración de abajo para los 5 agujeros). Saque la campana.
- 5.2 Instale 4 tornillos n.º 8 de 1/2" dejando un espacio de 1/8" (no instalar enseguida el tornillo n.º 5).



- 5.3 Coloque la abrazadera de cable, introduzca el cable de alimentación en la campana. Coloque la campana debajo del amario, en su lugar correspondiente y apriete la abrazadera para sujetar el cable. Compruebe que el conjunto del adaptador entra en la tubería. Sujete la campana apretando los 4 tornillos completamente, luego añadir el último tornillo (tornillo n.º 5) en el último agujero del centro. Compruebe que el regulador de tiro sobre el adaptador abre sin dificultad.

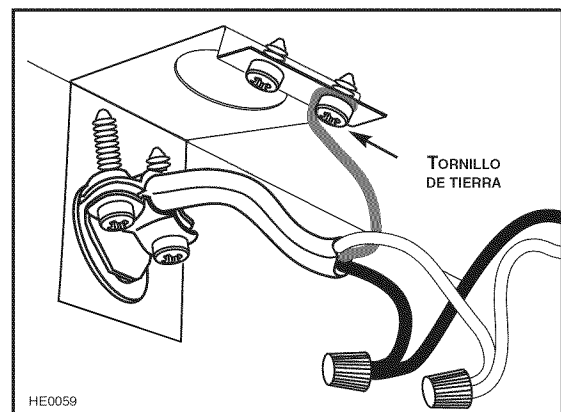
6. CONEXIÓN DEL CABLEADO

⚠ ADVERTENCIA

Riesgo de choque eléctrico. La conexión eléctrica debe hacerla personal competente con arreglo a los códigos y normas en vigor. Antes de conectar los hilos, corte la alimentación en el tablero de servicio y bloquee los medios de desconexión para impedir que la corriente se conecte accidentalmente.

Conecte el cable con los conectores de hilos provistos.

Conecte los hilos de la siguiente manera: NEGRO con NEGRO, BLANCO con BLANCO y VERDE o hilo DESNUDO debajo el tornillo VERDE de tierra. **NO OLVIDE CONECTAR LA TIERRA.**



7. INSTALACIÓN DEL TABLERO INFERIOR

PRECAUCIÓN

Procure no pellizcar los hilos al volver a instalar el tablero inferior.

PRECAUCIÓN

Retire la película protectora de plástico que cubre los filtros antes de instalarlos.

7.1 Vuelva a instalar el tablero inferior con los 9 tornillos que guardó de las etapas 3.4 y 3.5, como se ve en la ilustración.

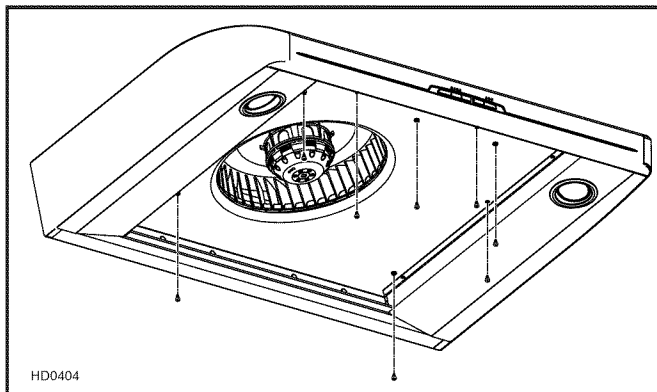
NOTA: El tablero lateral izquierdo tapaná un tornillo.

7.2 Vuelva a conectar los conjuntos de las luces. Instale de nuevo los tableros laterales con los 4 tornillos que guardó de la etapa 3.2.

PRECAUCIÓN

No vuelva a instalar el soporte para transporte.

7.3. Instale los filtros a continuación.



8. BOMBILLAS

Esta campana debe utilizar bombillas halógenas protegidas de tipo MR16, de 120 V y 50 W con base GU10 (incluidas).

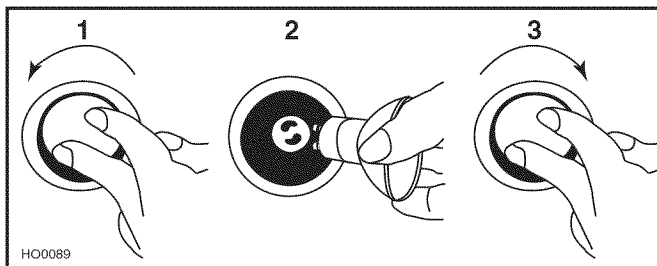
⚠ ADVERTENCIA

Para reducir el riesgo de lesiones corporales, instale solamente bombillas halógenas protegidas. Tampoco instale nunca una bombilla dicroica o no concebida para luminarias encerradas o empotradas.

⚠ ADVERTENCIA

Para evitar el riesgo de lesiones corporales, esperar que la bombilla halógena esta enfriada antes de la retirar.

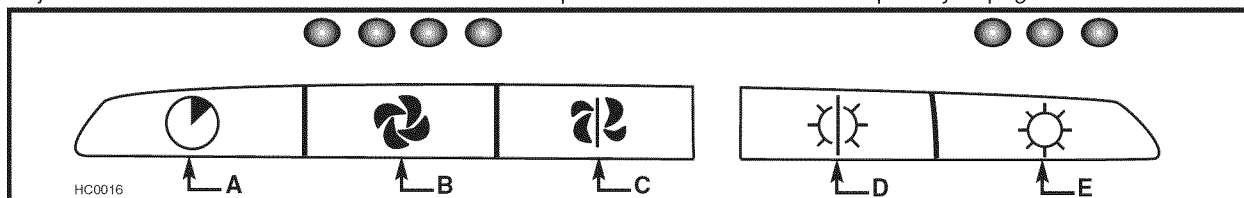
1. Para quitar las bombillas, empuje suavemente hacia arriba y gire en sentido antihorario para liberar el casquillo de sus ranuras.
2. Instale las bombillas nuevas colocando los casquillos de las bombillas en sus ranuras, en los portalámparas.
3. Empuje suavemente hacia arriba y gire al mismo tiempo en el sentido horario hasta que queden bien afianzadas.



NOTA: De ser necesario, utilice un guante de caucho para lavar los platos para sujetar mejor la bombilla y sacarla.

9. FUNCIONAMIENTO

Ponga en marcha siempre el ventilador antes de empezar a cocinar para generar una corriente de aire en la cocina. Deje en marcha el ventilador durante unos minutos para renovar el aire una vez que haya apagado la cocina.



A) Interruptor de retardo del ventilador

B) Encendido/Control de velocidad del ventilador

C) Interruptor de apagado del ventilador/Mantenimiento de los filtros

D) Apagado de la luz

E) Interruptor de luz halógena

A. INTERRUPTOR DE RETARDO DEL VENTILADOR:

Cuando se selecciona una velocidad, pulse este interruptor para activar la función de retardo. El diodo indicador de velocidad correspondiente empezará a parpadear para indicar que esta función está activada. El ventilador seguirá funcionando durante 5 minutos y se detendrá automáticamente. Para cancelar la función de retardo, pulse de nuevo el interruptor de retardo del ventilador; el ventilador funcionará en modo normal.

NOTA: La velocidad del ventilador puede aumentarse o disminuirse cuando se está en modo retardo sin tener que empezar otro ciclo de 5 minutos.

B. ENCENDIDO/CONTROL DE VELOCIDAD DEL VENTILADOR:

Pulse este interruptor para poner en marcha el ventilador en la última velocidad que se seleccionó. Para cambiar la velocidad del ventilado pulse de nuevo en el interruptor hasta lograr la velocidad deseada.

NOTAS: 1. Cada vez que presione en el control de velocidad del ventilador, la velocidad aumenta 1 nivel (p. ej., velocidad 1 a velocidad 2, velocidad 2 a velocidad 3 y así sucesivamente hasta la velocidad 4. De la velocidad 4 se pasa a la velocidad 1).

2. La última velocidad seleccionada se guarda en la memoria. No ocurre así con la carta velocidad, de manera que la próxima vez que se encienda el ventilador, funcionará en la velocidad 3.

HEAT SENTRY™

Esta campana está equipada con un termostato HEAT SENTRY. Se trata de un dispositivo que pone en marcha el ventilador o lo acelera al detectar un calor excesivo sobre la superficie de la cocina.

1) Si el ventilador está apagado, lo pondrá en marcha a la velocidad 3.

2) Si el ventilador está encendido, lo pondrá a la velocidad 3.

Cuando el termostato HEAT SENTRY está activado, el indicador luminoso de la última velocidad parpadea. Cuando la temperatura baja al nivel normal, el ventilador vuelve a su configuración original.

⚠ ADVERTENCIA

El termostato HEAT SENTRY puede poner en marcha el ventilador aunque la campana esté apagada. En este caso, resulta imposible apagar el ventilador con el interruptor del ventilador. Si tiene que apagar el ventilador, hágalo en el tablero eléctrico principal.

C. INTERRUPTOR DE APAGADO DEL VENTILADOR/MANTENIMIENTO DE LOS FILTROS:

Pulse este interruptor para apagar el ventilador y anular la función de retardo (si está activada).

NOTA: Al cabo de 25 horas de funcionamiento, los 4 diodos de velocidad del ventilador parpadean durante 30 segundos indicando así que los filtros deben limpiarse para que la campana funcione eficazmente. Los diodos permanecera parpadea hasta que se reinicialice esta función apretando en este interruptor 3 segundos.

D. APAGADO DE LA LUZ:

Pulse este interruptor para apagar la luz.

E. INTERRUPTOR DE LUZ HALÓGENA:

Pulse este interruptor para encender las lámpara halógenas. La intensidad de la luz cambia de nivel en nivel (p. ej., pulse una vez para baja intensidad, pulse de nuevo para mayor intensidad y así hasta tres veces). Una vez en la mayor intensidad, al presionar se vuelve a la intensidad más baja.

NOTA: La última intensidad utilizada se guarda en la memoria de modo que la próxima vez que se encienda la luz tendrá dicha intensidad.

PROCEDIMIENTO DE PONER A CERO:

En caso de que los interruptores no responden, cortar el corriente eléctrica en el tablero eléctrico principal durante 5 segundos. Luego, restablecer el corriente eléctrico para volver al funcionamiento normal.

10. UTILIZACIÓN Y CUIDADO

Filtros de grasa y tablero inferior

Los filtros de grasa y el tablero inferior deben limpiarse con frecuencia. Utilice una disolución de detergente con agua templada. Retire los filtros empujando hacia parte trasera de la campana y girándolos hacia abajo.

Limpie los filtros completamente metálicos en el lavaplatos con un detergente sin fosfatos. La decoloración del filtro puede ocurrir si se utilizan detergentes con fosfato o como resultado de la condición del agua local, pero esto no afectará el rendimiento del filtro. Esta decoloración no está cubierta por la garantía.

LIMPIEZA DEL ACERO INOXIDABLE: Forma de mantener su ASPECTO BRILLANTE.

Debe hacerse:

- Limpiar regularmente las superficies con un trapo limpio humedecido con una mezcla de agua templada y jabón suave o detergente para la vajilla.
- Limpiar siempre en la dirección de las líneas originales de pulido del acero.
- Enjuagar siempre con agua limpia (2 o 3 veces) después de limpiar. Seque completamente.
- También puede utilizar un limpiador doméstico especial para acero inoxidable.

No debe hacerse:

- Utilizar un estropajo o acero inoxidable u otro tipo de rasquetas para quitar la suciedad resistente.
- Utilizar limpiadores fuertes o abrasivos.
- Dejar que la suciedad se acumule.
- Dejar que el polvo del mortero u otros residuos de la construcción manchen la campana. Si efectúa obras de construcción o renovación, cubra la campana para que no se manche la superficie de acero inoxidable.

Al escoger un detergente, evite:

- Los limpiadores que contienen **blanqueador** (lejía), ya que dañaran el acero inoxidable.
- Los productos que contengan **cloruro, fluoruro, yoduro y bromuro**, ya que deterioran las superficies rápidamente.
- Los **productos combustibles** que se emplean para la limpieza, como **acetona, alcohol, éter, benzol**, etc., y a que son altamente explosivos y nunca debería estar cerca de una cocina.

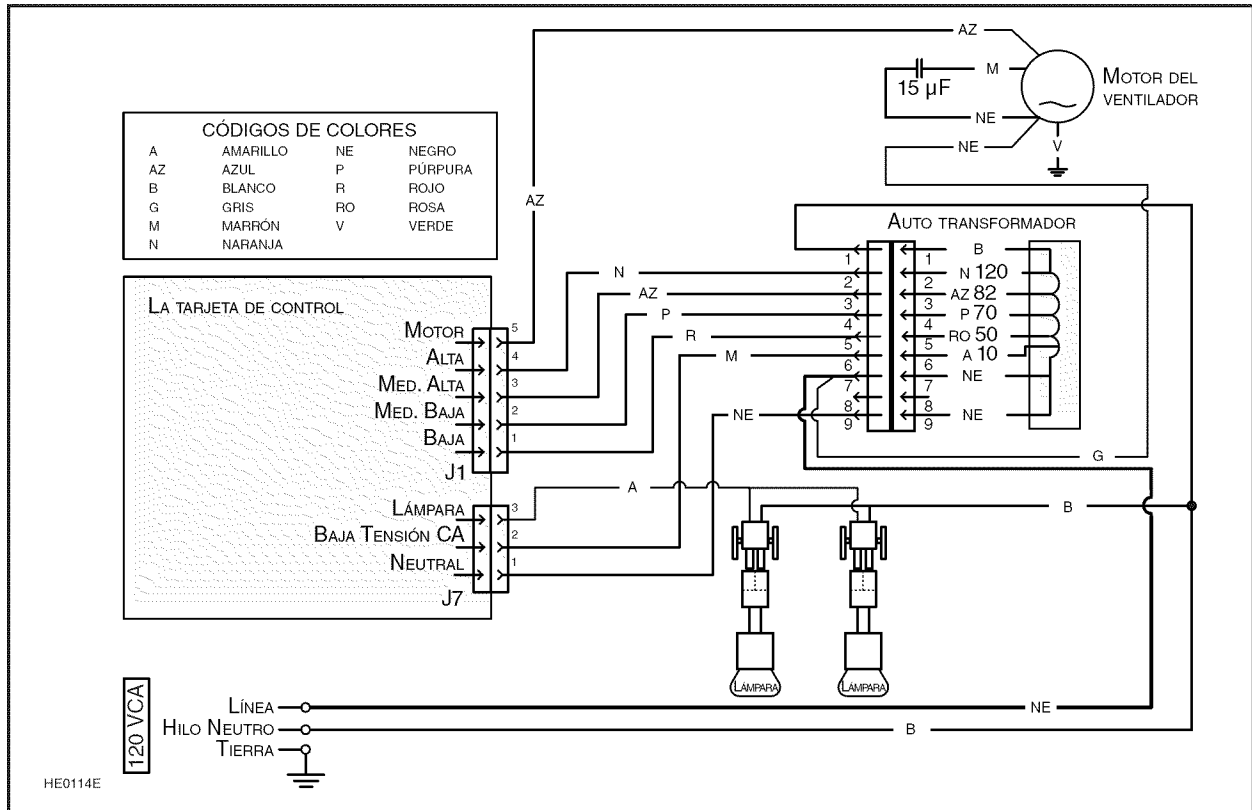
ACABADO ESMALTADO:

Limpie únicamente con agua templada y un detergente suave. Si la superficie se decolora, emplee una buena cera para esmaltes, como la cera para automóviles. (NO emplee limpiadores abrasivos fuertes ni limpiadores para porcelana.)

11. DIAGRAMA ELÉCTRICO

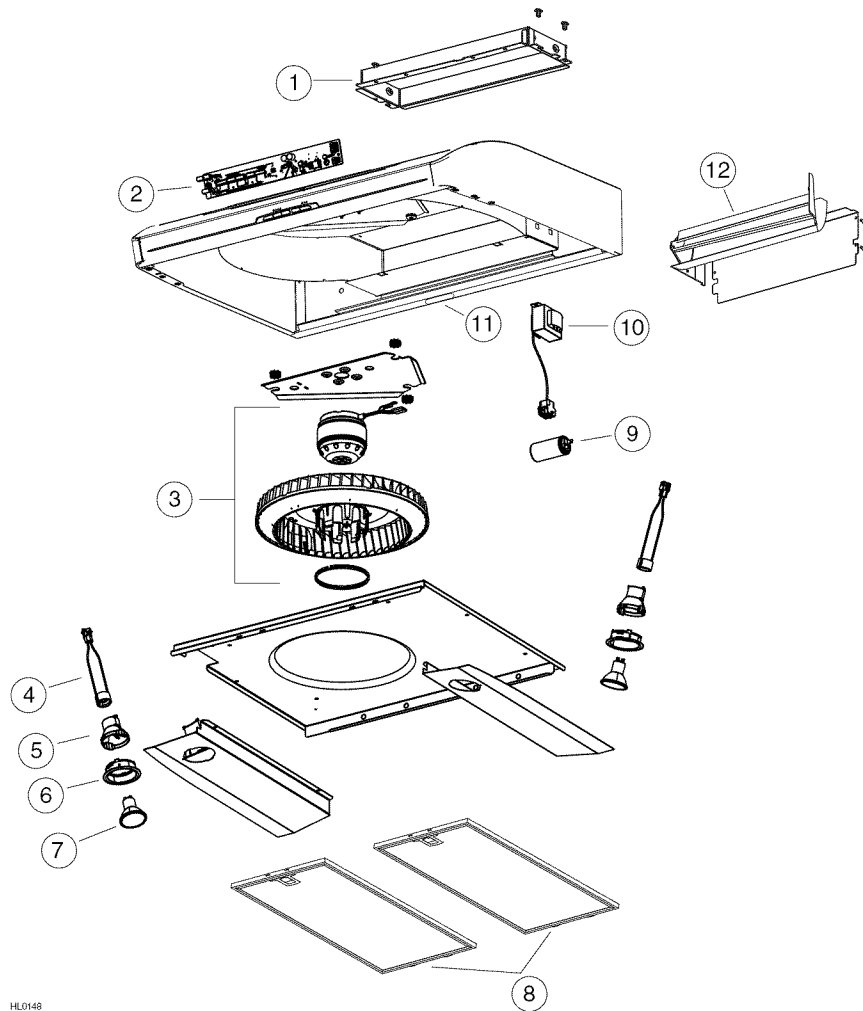
⚠ ADVERTENCIA

Riesgo de choque eléctrico. La conexión eléctrica debe hacerla personal competente con arreglo a los códigos y normas en vigor. Antes de conectar los hilos, corte la alimentación en el tablero de servicio y bloquee los medios de desconexión para impedir que la corriente se conecte accidentalmente.



12. PIEZAS

MODELO E661



HL0148

N.º	N.º DE PIEZA	DESCRIPCIÓN	ANCHURAS		
			30"	36"	42"
1	SV14971	ADAPTADOR	1	1	1
2	SV09225	CONTROL ELECTRÓNICO	1	1	1
3	SV01766E	MOTOR (CON RUEDA)	1	1	1
4	SV05917	CUBIERTA DE LÁMPARA	2	2	2
5	SV09435	SOPORTE DE CUBIERTA DE LÁMPARA	2	2	2
6	SV09434	ANILLO	2	2	2
7	SV05921	LÁMPARA HALÓGENA (50 W, 120 V, GU10)	2	2	2
8	SV06244	FILTROS 9.922" x 17.981"	2	-	3
	SV06264	FILTROS 12.922" x 17.981"	-	2	-
9	SV02160	CAPACITOR	1	1	1
10	SV07325	TRANSFORMADOR	1	1	1
11	SV06750	LOGO DE BROAN ELITE	1	1	1
12	SV06252	DESVIADOR	1	1	1
*	SV09440	MANUAL DE INSTALACIÓN	1	1	1
*	SV06751	BOLSA DE PIEZAS: 1 ABRAZADERA DE CABLE LP16-AP, 2 CONECTADORES DE HILOS N.º 74B, 6 TORNILLOS N.º 8 x 1/2", 3 TORNILLOS N.º 6 x 1/2"	1		

*No se muestra.

SUSTITUCIÓN DE PIEZAS Y REPARACIÓN:

Para que la campana se conserve en buen estado, debe usar repuestos genuinos Broan-NuTone únicamente. Estas piezas se han diseñado especialmente para cada campana y se han fabricado conforme a las normas de certificación aplicables y un elevado nivel de seguridad. El uso de repuestos de otros fabricantes podría causar daños graves y reducir radicalmente el desempeño de la campana, causando así fallas prematuras. Broan-NuTone también aconseja ponerse en contacto con un taller de reparación homologado por Broan-NuTone para todos los repuestos y reparaciones.

13. GARANTÍA

GARANTÍA LIMITADA DE UN AÑO DE LOS PRODUCTOS BROAN ELITE

Broan-NuTone LLC (Broan NuTone) garantiza al consumidor comprador original de sus productos que dichos productos carecen de defectos en los materiales o de mano de obra por un período de un año a partir de la fecha de compra original. NO EXISTEN OTRAS GARANTÍAS, EXPRESAS O IMPLÍCITAS, INCLUYENDO — AUNQUE SIN LIMITARSE A ELLAS — LAS GARANTÍAS IMPLÍCITAS, DE APTITUD O IDONEIDAD PARA UN PROPÓSITO PARTICULAR.

Durante el período de un año, y a su propio criterio, Broan-NuTone reparará o reemplazará sin costo todo producto o pieza que se considere defectuosa en condiciones normales de servicio y uso.

ESTA GARANTÍA NO SE APLICA A LOS CEBADORES, TUBOS, BOMBILLAS HALÓGENAS Y INCANDESCENTES, A LOS FUSIBLES, FILTROS, TUBOS, CAPUCHONES PARA TEJADOS, CAPUCHONES MURALES Y OTROS ACCESORIOS DE CANALIZACIÓN. Esta garantía no cubre: a) el mantenimiento y servicios normales ni b) ningún producto o pieza mal utilizados o que hayan sido objeto de mal uso, negligencia, accidente, mantenimiento o reparación inadecuados (por compañías distintas a Broan-NuTone), instalación defectuosa, o instalación no conforme a las instrucciones de instalación recomendadas.

La duración de cualquier garantía implícita se limita a un periodo de un año, como se indica en la garantía expresa. Algunos estados o provincias no permiten limitaciones en cuanto al tiempo de expiración de una garantía implícita, por lo que la limitación antes mencionada puede que no se aplique en su caso.

LA OBLIGACIÓN DE BROAN-NUTONE DE REPARAR O REEMPLAZAR, CON ARREGLO A SU PROPIO CRITERIO, SERÁ EL ÚNICO RECURSO LEGAL DEL COMPRADOR CONFORME A ESTA GARANTÍA. BROAN-NUTONE NO SE HACE RESPONSABLE DE LOS DAÑOS ADICIONALES, CONSECUENTES O ESPECIALES QUE SURJAN O ESTÉN RELACIONADOS CON EL USO O EL RENDIMIENTO DEL PRODUCTO. Algunos estados o provincias no permiten la exclusión o limitación de daños adicionales o consecuentes, por lo que la limitación o exclusión antes mencionada puede que no se aplique en su caso.

Esta garantía le proporciona derechos legales específicos, aunque usted también puede tener otros derechos, que varían de un estado a otro, o de una provincia a otra. Esta garantía reemplaza todas las garantías anteriores.

Para tener derecho al servicio de garantía, debe usted: a) Informar a Broan-NuTone, a una de las direcciones o teléfonos que aparecen abajo; b) Dar el número de modelo y el número de identificación de la pieza y (c) Describir el tipo de defecto en el producto o pieza. En el momento de solicitar un servicio cubierto por la garantía, deberá presentar una prueba de la fecha de compra original.

Broan-NuTone LLC; 926 W. State Street, Hartford, Wisconsin 53027 www.broan.com 1-800-558-1711

