

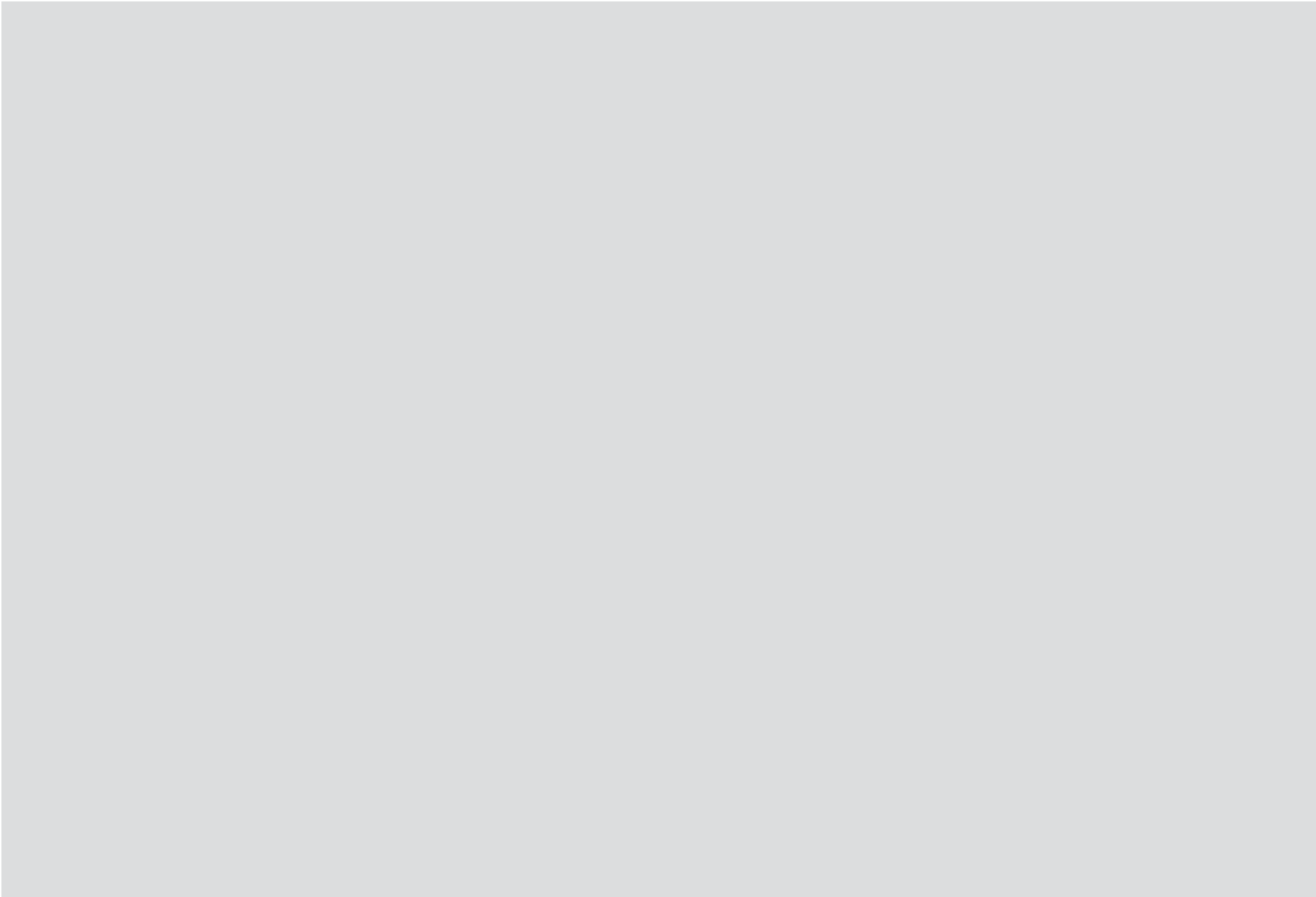
# KICHLER®

## 52" LUCIAN™ LED

Product images may vary slightly from actual product.



## INSTRUCTION MANUAL



# TABLE OF CONTENTS

SAFETY RULES.....	4	INSTALLING THE LED LIGHT KIT AND GLASS SHADE.....	15
TOOLS REQUIRED.....	5	INSTALLING THE BATTERIES.....	16
PACKAGE CONTENTS.....	5	OPERATING INSTRUCTIONS.....	16
MOUNTING OPTIONS.....	6	INSTALLING THE WALL CONTROL SYSTEM WALL PLATE.....	17
HANGING THE FAN.....	7	OPERATION INSTRUCTIONS.....	18
INSTALLATION OF SAFETY SUPPORT.....	10	TROUBLESHOOTING.....	19
ELECTRICAL CONNECTIONS.....	11		
FINISHING THE INSTALLATION.....	13		
ATTACHING THE FAN BLADES.....	14		
INSTALLING THE LIGHT PLATE.....	14		

# SAFETY RULES

1. To reduce the risk of electric shock, insure electricity has been turned off at the circuit breaker or fuse box before beginning.
2. All wiring must be in accordance with the National Electrical Code and local electrical codes. Electrical installation should be performed by a qualified licensed electrician.
3. **WARNING:** Not suitable for use with solid-state speed controls.
4. **WARNING:** To reduce the risk of fire, electric shock, or personal injury, mount to outlet box marked "acceptable for fan support of 15.8 kg (35 lbs.) or less" and use mounting screws provided with the outlet box. Most outlet boxes commonly used for the support of light fixtures are not acceptable for fan support and may need to be replaced. Due to the complexity of the installation of this fan, a qualified licensed electrician is strongly recommended.

**WARNING: TO REDUCE THE RISK OF FIRE, ELECTRIC SHOCK OR PERSONAL INJURY, MOUNT FAN TO OUTLET BOX MARKED "ACCEPTABLE FOR FAN SUPPORT".**

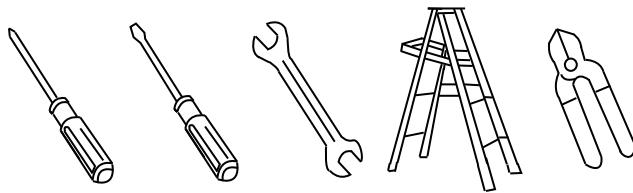
5. The outlet box and support structure must be securely mounted and capable of reliably supporting a minimum of 50 pounds. Use only CUL Listed outlet boxes marked "FOR FAN SUPPORT".
6. The fan must be mounted with a minimum of 7 feet clearance from the trailing edge of the blades to the floor.
7. To operate the reverse function on this fan, press the reverse button while the fan is running.

8. Avoid placing objects in the path of the blades.
9. To avoid personal injury or damage to the fan and other items, be cautious when working around or cleaning the fan.
10. Do not use water or detergents when cleaning the fan or fan blades. A dry dust cloth or lightly dampened cloth will be suitable for most cleaning.
11. After marking electrical connections, spliced conductors should be turned upward and pushed carefully up into outlet box. The wires should be spread apart with the grounded conductor and the equipment-grounding conductor on one side of the outlet box.
12. Electrical diagrams are reference only. Light kits that are not packed with the fan must be CUL Listed and marked suitable for use with the model fan you are installing. Switches must be CUL General Use Switches. Refer to the Instructions packaged with the light kits and switches for proper assembly.

**WARNING: TO REDUCE THE RISK OF PERSONAL INJURY, DO NOT BEND THE BLADE BRACKETS (ALSO REFERRED TO AS FLANGES) DURING ASSEMBLY OR AFTER INSTALLATION. DO NOT INSERT OBJECTS IN THE PATH OF THE BLADES.**

## TOOLS REQUIRED

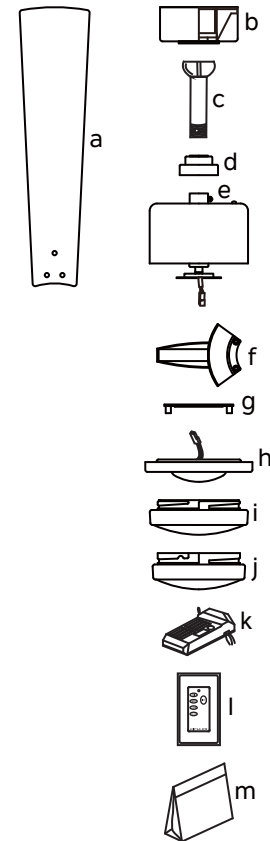
Philips screw driver  
Blade screw driver  
11 mm wrench  
Step ladder  
Wire cutters



## PACKAGE CONTENTS

Unpack your fan and check the contents. You should have the following items:

- a. Fan blades (5)
- b. Canopy & Ceiling mounting bracket
- c. Ball/downrod assembly
- d. Coupling cover
- e. Fan motor assembly
- f. Set of 5 blade brackets and Pre-Installed mounting screws
- g. Light plate
- h. 16W LED light kit
- i. Glass shade
- j. Decorative bottom cover
- k. Receiver
- l. Wall Transmitter
- m. Part bag contents
- 1) Mounting hardware:  
wood screws (2), flat washers (2),  
star washers (2), wire nuts (3),  
screws (2)
- 2) Blade attachment hardware:  
screws (16), fiber washers (16)
- 3) Blade bracket attachment  
hardware:  
screws (2)
- 4) Safety cable hardware:  
wood screw, spring washer,  
flat washer
- 5) Balance Kit



# MOUNTING OPTIONS

If there isn't an existing UL (cUL for Canadian Installation) listed mounting box, then read the following instructions. Disconnect the power by removing fuses or turning off circuit breakers.

Secure the outlet box directly to the building structure. Use appropriate fasteners and building materials. The outlet box and its support must be able to fully support the moving weight of the fan (at least 50 lbs). Do not use plastic outlet boxes.

Figures 1, 2 and 3 are examples of different ways to mount the outlet box.

**NOTE:** If you are installing the ceiling fan on a sloped (vaulted) ceiling, you may need a longer downrod to maintain proper clearance between the tip of the blade and the ceiling. A minimum clearance of 12" is suggested for optimal operation.

**NOTE:** Depending on the location you have selected for installation, you may need to purchase and install a "Joist Hanger" for the support of the outlet box. Make sure the joist hanger you purchase has been designed for use with ceiling fans. (Fig. 4)

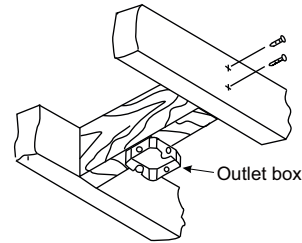


Fig. 1

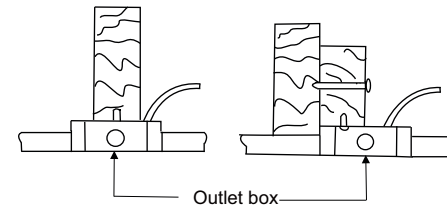


Fig. 2

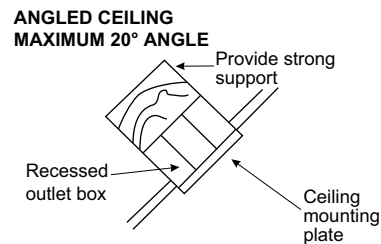
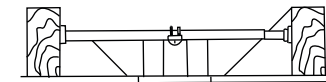


Fig. 3



Outlet box  
Fig. 4

# HANGING THE FAN

**REMEMBER** to turn off the power before you begin.

To properly install your ceiling fan, follow the steps below.

Step 1. Remove the decorative canopy bottom cover from the canopy by turning the cover counter clockwise. (Fig. 5)

Step 2. Remove the ceiling mounting bracket from the canopy by removing (and save one of the two screws). Loosen the remaining screw by a half turn. (Fig. 5)

Step 3. Pass the 120 volt supply wires from the ceiling outlet box through the center of the ceiling mounting bracket. (Fig. 6)

Step 4. Attach the ceiling mounting bracket to the outlet box using the screws and washers included with the outlet box. (Fig.6)

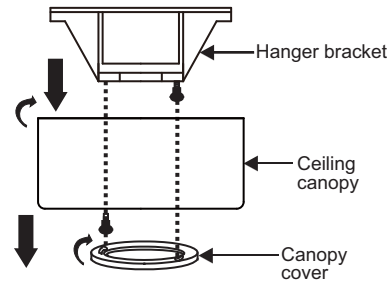


Fig. 5

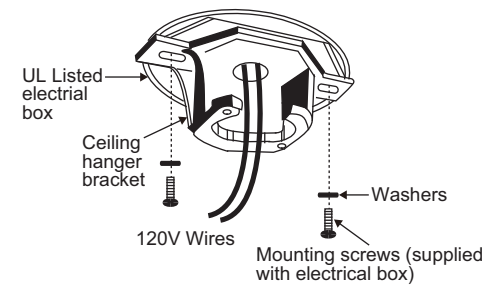


Fig. 6

## HANGING THE FAN (continued)

Step 5. Remove the hanger ball from the downrod assembly by loosening the set screw, unscrewing and removing the cross pin and unscrewing the ball off the rod. (Fig. 7)

Step 6. Loosen the two set screws and remove the hitch pin and retaining clip from the coupling on top of the motor assembly. (Fig. 8)

Step 7. Carefully feed the electrical lead wires from the fan up through the downrod. Thread the downrod into the coupling until the Hitch pin holes are aligned.

Next, replace the hitch pin and retaining clip. Tighten both set screws. (Fig. 8)

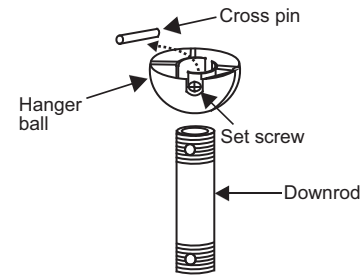


Fig. 7

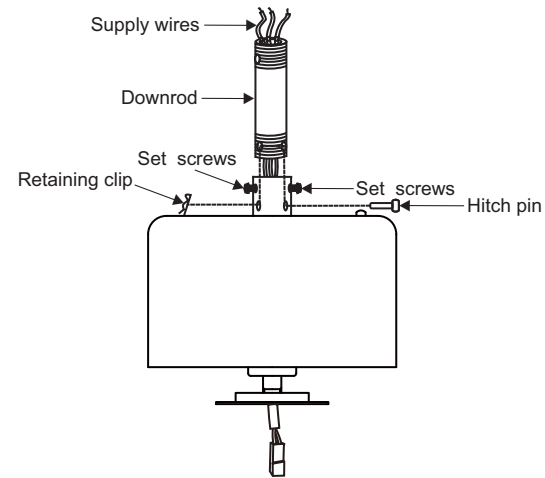


Fig. 8

## HANGING THE FAN (continued)

Step 8. Slip the coupling cover, canopy cover and canopy onto the downrod. (Fig. 9)

Thread the hanger ball onto the downrod, insert the cross pin through the downrod and tighten. Now tighten the set screw. (Fig. 9)

Step 9. Lift the motor assembly into position and place the hanger ball into the ceiling mounting bracket.

Rotate the entire assembly until the "Check Tab" has dropped into the "Registration Slot" and seats firmly. (Fig. 10)

The entire motor assembly should not rotate (left or right) when seated properly.

**WARNING:** Failure to reattach the cross pin and seat the "Check Tab" can cause the fan to fall from the ceiling during operation. Take special care to make sure this pin is reattached.

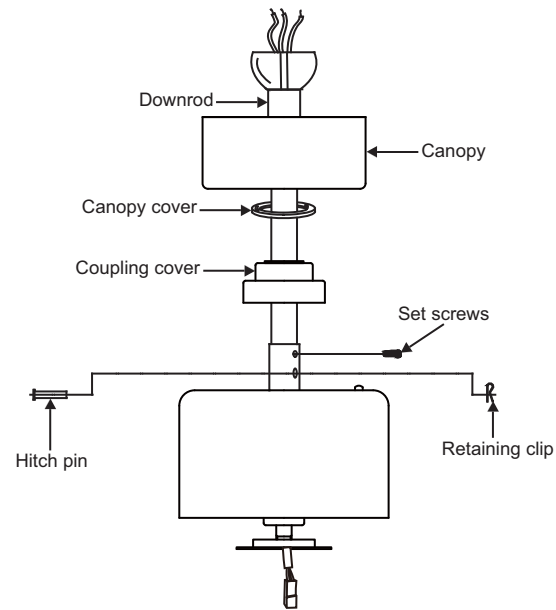


Fig. 9

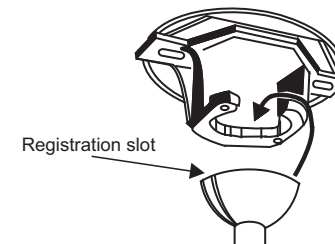


Fig. 10

# INSTALLATION OF SAFETY SUPPORT

(required for Canadian installation ONLY)

A safety support cable is provided to help prevent the ceiling fan from falling.

Step 1. Attach the provided wood screw and washers to the ceiling joist next to the mounting bracket but do not tighten. (Fig. 11)

Step 2. Adjust the length of the safety cable to reach the screw and washers by pulling the extra cable through the cable clamp until the overall length is correct, put the end of the cable back through the cable clamp, forming a loop at the end of the cable. Tighten the cable clamp securely. Now, put the loop in the end of the safety cable over the wood screw and under the washer. Tighten the wood screw securely.

**NOTE:** Although the safety support cable is required for Canadian installations only. It's a good idea to make the attachment with any installation.

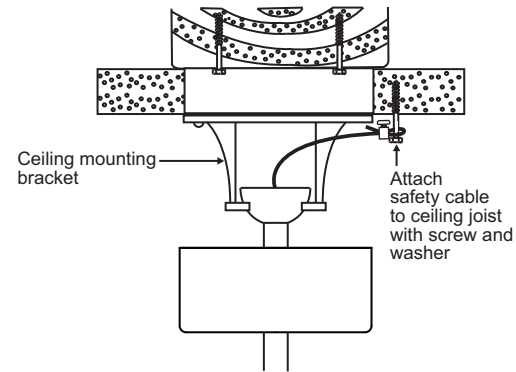


Fig. 11

# ELECTRICAL CONNECTIONS

**WARNING:** To avoid possible electrical shock, be sure you have turned off the power at the main circuit panel.

Follow the steps below to connect the fan to your household wiring. Use the wire connecting nuts supplied with your fan. Secure the connectors with electrical tape. Make sure there are no loose wire strands or connections.

**NOTE:** The CoolTouch™ Control System is equipped with 16 possible frequency combinations to prevent interference from or with other remote control units. The frequency switches on your receiver and transmitter have been preset at the factory. Please recheck to make sure the switches on transmitter and receiver are set to the same position, any combination of settings will operate the fan as long as the transmitter and receiver are set to the same position. (Fig. 12)

Step 1. Insert the receiver into the ceiling mounting bracket with the flat side of the receiver facing the ceiling. (Fig. 13) For best performance, make sure the Black Antenna, on the end of the receiver, remains extended and not tangled with any of the electrical wires.

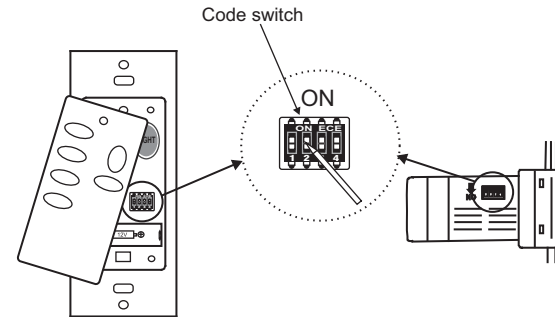


Fig. 12

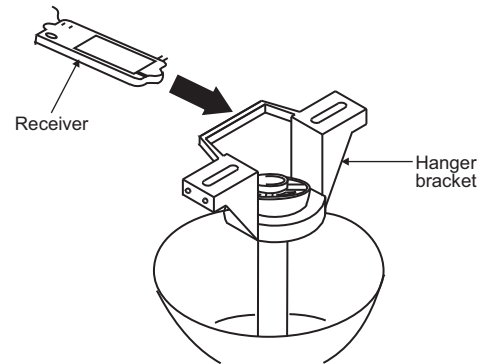


Fig. 13



## FINISHING THE INSTALLATION

Step 1. Tuck all the connections neatly into the ceiling outlet box.

Step 2. Slide the canopy up to the mounting bracket and place one of the key hole slots over the mounting screw on the mounting bracket. Rotate the canopy until the screw head locks in place at the narrow section of the key hole. See figure 15.

Step 3. Align the remaining circular hole on the canopy with the remaining hole on the Ceiling Mounting Bracket. Insert and tighten the mounting screw you removed earlier and the mounting screw from Step 2 above. Now, attach the canopy cover to the mounting screw heads by inserting the screw heads into the bottom side of the canopy cover and rotating the cover clockwise.

**NOTE:** Adjust the canopy screws as necessary until the canopy and canopy cover are snug. (Fig. 15)

**WARNING:** Make sure the "Check Tab" at the bottom of the hanger bracket is properly seated in the "Registration Slot" on the side of the hanger ball before attaching the canopy to the bracket. Failure to properly seat the "Check Tab" could damage the electrical wires when to ceiling fan blade direction is changed while the fan is running.

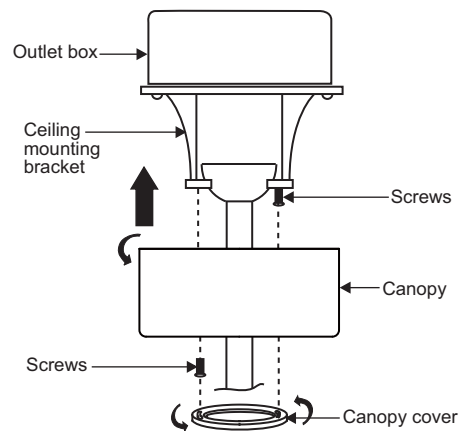


Fig. 15

## ATTACHING THE FAN BLADES

Step 1. Attach a blade to a blade bracket using the screws and fiber washers provided. (Fig. 16)

Make sure the blade is straight when set on the blade bracket. Tighten each mounting screw and then repeat this procedure for each blade.

Step 2. Attach each blade assembly to the motor using the "Pre-Installed" mounting screws in the blade bracket. (Fig. 16)

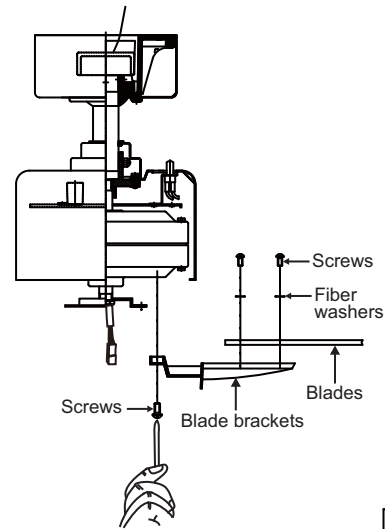


Fig. 16

## INSTALLING THE LIGHT PLATE

Step 1. Loosen the two screws on the mounting ring attached to the motor shaft and "remove" and save the third screw. (Fig. 17)

Step 2. Place the key hole slots on the light plate over the two screws previously loosened on the mounting ring.

Turn the light plate until it locks in place at the narrow section of the key hole slots.

Tighten both key hole screws and replace the third screw previously removed and tighten securely.

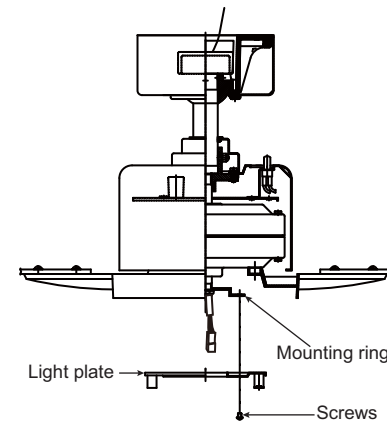


Fig. 17

# INSTALLING THE LED LIGHT KIT AND GLASS SHADE

**NOTE:** Before starting installation, disconnect the power by turning off the circuit breaker or removing the fuse at fuse box.

Step 1. Loosen the three mounting screws on the inside of the LED light kit. (Fig.18)

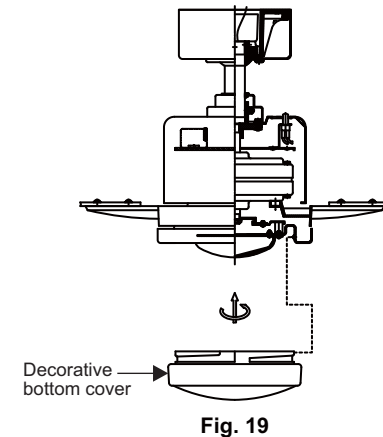
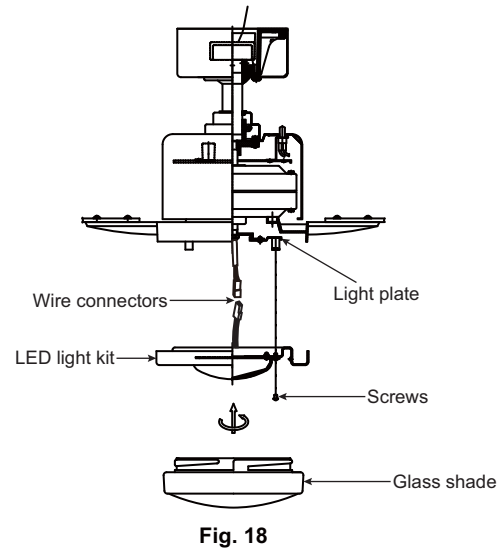
Step 2. While holding the LED light kit under the fan motor, make the wire connections: (Fig. 18)

- Red to white
- Black to black

**NOTE:** If you do not plan to install the LED light kit with your fan at this time, don't make the wire connections. Raise the decorative bottom cover against the LED light kit and turn clockwise until snug, DO NOT OVERTIGHTEN. (Fig. 19)

Step 3. Tuck the connections neatly into the light plate. Place the key holes on the LED light kit over the 2 screws previously loosened from the light plate, turn the LED light kit until it locks in place at the narrow section of the key holes. Secure by tightening all three screws. (Fig.18)

Step 4. Raise the glass shade against the light kit and turn clockwise until snug, DO NOT OVERTIGHTEN. (Fig. 18)



## INSTALLING THE BATTERIES

Remove the face plate of the Wall Switch by lifting at the top and then insert the supplied 12V battery. Duracell MN21/Eveready A23/GP 23A all 12V.

Replace the switch face plate.

To prevent possible damage to the transmitter, remove these batteries if not used for long periods of time (months).

## OPERATING INSTRUCTIONS

HI Button = High Speed  
MED Button = Medium Speed  
LOW Button = Low Speed  
FAN OFF Button = Motor Off  
Light Button = the "LIGHT" button turns the light ON or OFF and also controls the brightness setting. (Fig. 21)

Press and hold either button to set the desired brightness level. The next time you turn the light on, the system will remember this setting.

Press and release either button to turn the light ON or OFF.

This control system is NOT designed to "Reverse" the rotation of the blades. To set the fan blades in reverse, the reverse slide switch is located on the top of the motor housing.

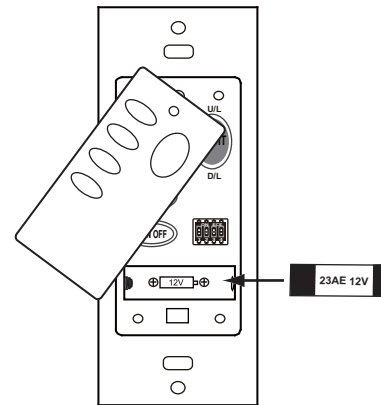


Fig. 20

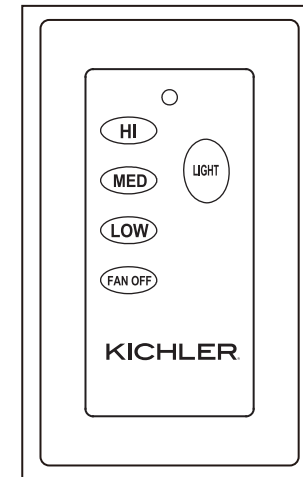


Fig. 21

## INSTALLING THE BASIC FUNCTION WALL CONTROL SYSTEM WALL PLATE

Select a location to install the Basic Function Wall Control System Transmitter and Wall Plate.

Install the wall plate using an existing wall switch outlet box. Make sure the electrical power is TURNED OFF at the main panel before continuing.

Step 1. Remove the existing wall plate and the old switch from the wall outlet box. Wire nut the BLACK leads (hot) together and push back inside the outlet box. (Fig. 22)

Step 2. Install the wall plate on the existing wall outlet box using the screws provided. (Fig. 23)

After installing the wall anchors, attached the wall plate with the mounting screws to finish the installation.

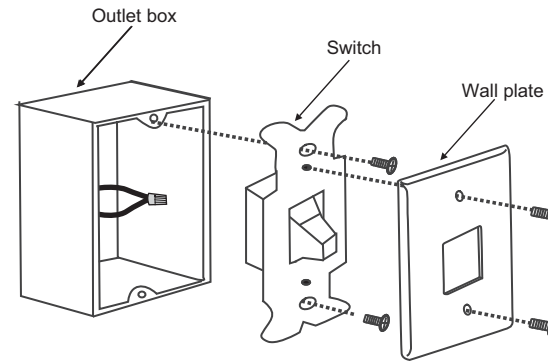


Fig. 22

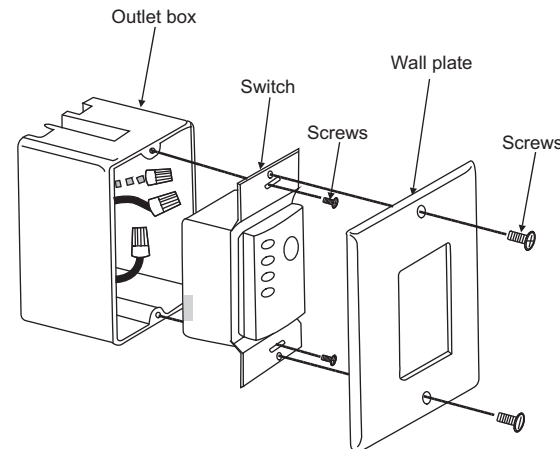


Fig. 23

## OPERATING INSTRUCTIONS

**NOTE:** This control system is NOT designed to "Reverse" the rotation of the blades. To set the fan blades in reverse, the reverse slide switch is located on the top of the motor housing.

Warm weather - Forward (counter clockwise) A downward airflow creates a cooling effect as shown in Fig. 24. This allows you to set your air conditioner on a warmer setting without affecting your comfort.

Cool weather - Reverse (clockwise) An upward airflow moves warm air off the ceiling area as shown in Fig. 25. This allows you to set your heating unit on a cooler setting without affecting your comfort.

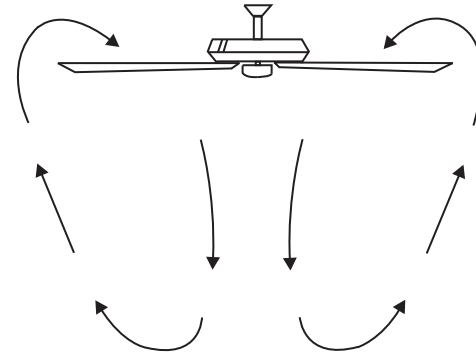


Fig. 24

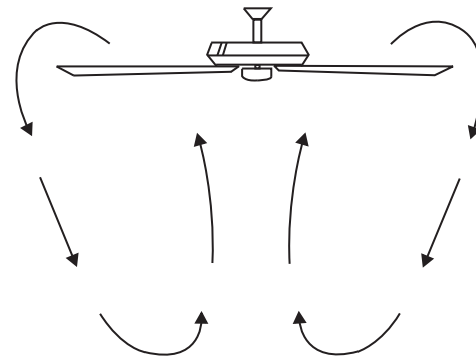


Fig. 25

# TROUBLESHOOTING

Problem	Solution
Fan will not start.	<ol style="list-style-type: none"><li>1. Check circuit fuses or breakers.</li><li>2. Check all electrical connections to insure proper contact.</li></ol> <p><b>CAUTION:</b> Make sure the main power is OFF when checking any electrical connection.</p>
Fan sounds noisy.	<ol style="list-style-type: none"><li>1. Make sure all motor housing screws are snug.</li><li>2. Make sure the screws that attach the fan blade brackets to the motor are tight.</li><li>3. Make sure wire nut connections are not rubbing against each other or the interior wall of the switch housing. <b>CAUTION:</b> Make sure main power is off.</li><li>4. Allow a 24-hour "breaking-in" period. Most noise associated with a new fan disappear during this time.</li><li>5. If using an optional light kit, make sure the screws securing the glassware are tight. Make sure the light bulbs are not touching any other component.</li><li>6. Do not connect this fan to wall mounted variable speed control(s). they are not compatible with ceiling fan motors or remote controls.</li><li>7. Make sure the upper canopy is a short distance from the ceiling. It should not touch the ceiling.</li></ol>
Fan wobble.	<ol style="list-style-type: none"><li>1. Check that all blade and blade arm screws are secure.</li><li>2. Most fan wobbling problems are caused when blade levels are unequal. Check this level by selecting a point on the ceiling above the tip of one of the blades. Measure this distance. Rotate the fan until the next blade is positioned for measurement. Repeat for each blade. The distance deviation should be equal within 1/8".</li><li>3. If the blade wobble is still noticeable, interchanging two adjacent (side by side) blades can redistribute the weight and possibly result in smoother operation.</li></ol>
Remote control malfunction.	<ol style="list-style-type: none"><li>1. Ceiling Fans with remote control systems <b>CAN NOT</b> be operated in conjunction with any other control system EXCEPT a basic On/Off wall switch, if desired.</li></ol>

## FCC Information

This device complies with part 15 of the FCC Rules. Operation is subject to the following two conditions:

- 1) This device may not cause harmful interference, and
- 2) This device must accept any interference received, including interference that may cause undesired operation.

Note: This equipment has been tested and found to comply with the limits for a Class B digital device, pursuant to part 15 of the FCC Rules. These limits are designed to provide reasonable protection against harmful interference in a residential installation. This equipment generates, uses and can radiate radio frequency energy and, if not installed and used in accordance with the instructions, may cause harmful interference to radio communications. However, there is no guarantee that interference will not occur in a particular installation. If this equipment does cause harmful interference to radio or television reception, which can be determined by turning the equipment off and on, the user is encouraged to try to correct the interference by one or more of the following measures:

- Reorient or relocate the receiving antenna.
- Increase the separation between the equipment and receiver.
- Connect the equipment into an outlet on a circuit different from that to which the receiver is connected.
- Consult the dealer or an experienced radio/TV technician for help.

# KICHLER®

[www.kichler.com](http://www.kichler.com)

**KICHLER® LIGHTING**

**7711 EAST PLEASANT VALLEY ROAD P.O. BOX 318010**

**CLEVELAND, OHIO 44131-8010**

**CUSTOMER SERVICE 866.558.5706**

**8:30 AM TO 5:00 PM EST, MONDAY - FRIDAY**

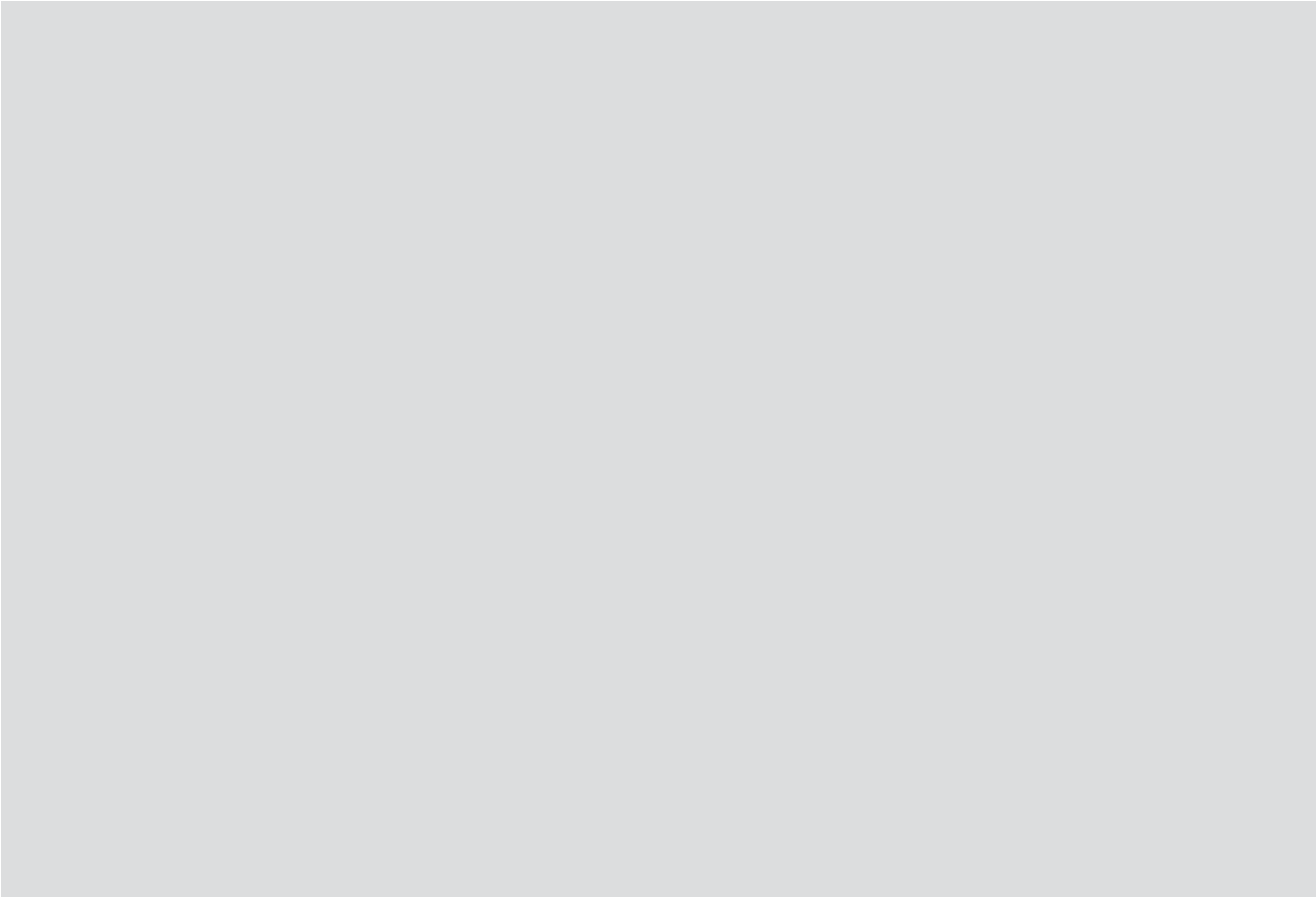
# KICHLER®

VENTILATEUR À LED LUCIAN™ 52 po

Le produit peut différer légèrement des illustrations.



MANUEL D'INSTRUCTIONS



# TABLE DES MATIÈRES

CONSIGNES DE SÉCURITÉ.....	4
OUTILLAGE REQUIS.....	5
CONTENU DE L'EMBALLAGE.....	5
OPTIONS DE MONTAGE.....	6
SUSPENSION DU VENTILATEUR.....	7
INSTALLATION DU SUPPORT DE SÉCURITÉ.....	10
CONNEXIONS ÉLECTRIQUES.....	11
FIN DE L'INSTALLATION.....	13
FIXATION DES PALES DE VENTILATEUR.....	14
INSTALLATION DE LA PLAQUE D'ÉCLAIRAGE.....	14

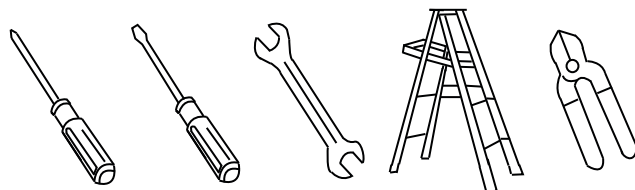
INSTALLATION DU KIT D'ÉCLAIRAGE À LED ET CACHE EN VERRE.....	15
INSTALLATION DES PILES.....	16
INSTRUCTIONS D'UTILISATION.....	16
INSTALLATION DE LA PLAQUE MURALE DU SYSTÈME DE LA COMMANDE MURALE.....	17
INSTRUCTIONS D'UTILISATION.....	18
DÉPANNAGE.....	19

# CONSIGNES DE SÉCURITÉ

1. Pour réduire le risque d'électrocution, assurez-vous que l'électricité a été coupée au niveau du disjoncteur ou de la boîte à fusibles avant de commencer.
  2. Le câblage doit être installé conformément au code national d'électricité américain (NEC) et aux codes locaux. Les travaux d'électricité doivent être exécutés par un électricien agréé qualifié.
  3. **AVERTISSEMENT** : Ne pas utiliser avec des contrôles de vitesse à semi-conducteur.
  4. **AVERTISSEMENT** : Pour réduire les risques d'incendie, d'électrocution ou de blessure, installer sur une boîte à prises portant la mention « Acceptable pour un support de ventilateur de 15,8 kg (35 lb) ou moins et utiliser les vis de montage fournies avec la boîte à prises et/ou le support de la structure du bâtiment. La plupart des boîtes à prises utilisées actuellement pour supporter les luminaires ne peuvent pas supporter un ventilateur et doivent certainement être remplacées. En raison de la complexité de l'installation de ce ventilateur, il est fortement recommandé de confier les travaux à un électricien qualifié et agréé.
- AVERTISSEMENT: POUR RÉDUIRE LES RISQUES D'INCENDIE, CHOC ÉLECTRIQUES OU BLESSURES, INSTALLER LE VENTILATEUR SUR LA BOÎTE À PRISES MARQUÉE « CAPABLE DE SUPPORTER UN VENTILATEUR ».**
5. La boîte à prises et la structure de support doivent être solidement fixées et capables de supporter de manière fiable un minimum de 22 kg (50 lb). Utiliser uniquement des boîtes à prises homologuées cUL et marquées «**POUR SUPPORTER UN VENTILATEUR**».
  6. Le ventilateur doit être installé à une distance de 2.13 m minimum du bord de fuite des pales par rapport au sol.
  7. Pour utiliser la fonction inverse sur ce ventilateur, appuyer sur le bouton de marche arrière pendant que le ventilateur est en marche.
  8. Éviter de placer des objets dans la trajectoire des pales.
  9. Pour éviter des blessures ou des dommages au ventilateur et autres objets, prendre toutes les précautions nécessaires lors de travaux effectués près du ventilateur ou lors du nettoyage du ventilateur.
  10. Ne pas utiliser d'eau ni de détergents pour nettoyer le ventilateur ou les pales du ventilateur. Utiliser un chiffon à poussière sec ou légèrement imbibé pour effectuer la majeure partie du nettoyage.
  11. Après avoir effectué les connexions électriques, les conducteurs épissés doivent être tournés vers le haut et soigneusement rentrés dans la boîte à prises. Les fils doivent être écartés avec le conducteur de la mise à la terre et le conducteur de mise à la terre de l'équipement se trouvant sur un côté de la boîte à prises.
  12. Les schémas électriques sont indiqués à titre de référence uniquement. Les kits d'éclairage qui ne sont pas emballés avec le ventilateur doivent être homologués cUL et marqués compatibles pour une utilisation avec le modèle de ventilateur à installer. Les interrupteurs doivent être pour une utilisation d'ordre général homologués cUL. Voir les instructions fournies avec les kits d'éclairage et les interrupteurs pour garantir un assemblage correct.
- AVERTISSEMENT : POUR REDUIRE LE RISQUE DE BLESSURES, NE PAS PLIER LES SUPPORTS DE PALES (APPELÉS ÉGALEMENT BRIDES) LORS DU MONTAGE OU APRÈS L'INSTALLATION NE PAS PLACER D'OBJETS DANS LA TRAJECTOIRE DES PALES.**

## OUTILLAGE REQUIS

Tournevis Philips  
Tournevis standard  
Pale Clé de 11 mm  
Escabeau  
Coupe-fil

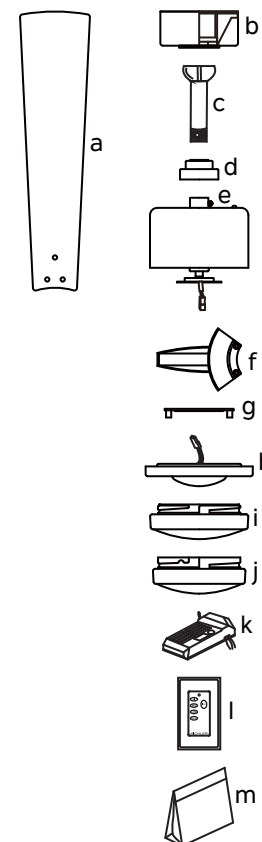


## CONTENU DE L'EMBALLAGE

Déballez votre ventilateur et vérifiez le contenu. Vous devriez avoir à votre disposition les éléments suivants :

- a. Pales de ventilateur (5)
- b. Cache et support de montage au plafond
- c. Ensemble boule/tige
- d. Couvercle accouplement
- e. Moteur du ventilateur
- f. Ensemble de 5 supports de pale et vis de montage pré-installées
- g. Plaque d'éclairage
- h. Kit d'éclairage à LED 16W
- i. Cache en verre
- j. Cache décoratif
- k. Récepteur
- l. Émetteur mural
- m. Contenu du sac de pièces

- 1) Matériel de montage: vis à bois (2), rondelles plates (2), rondelles éventail (2), et serre-fils (3), vis (2)
- 2) Matériel de montage des pales : vis (16) rondelles en fiber (16)
- 3) Matériel de montage pour support des pales : vis (2)
- 4) Matériel pour câble de sécurité : vis à bois, rondelle élastique, rondelle plate
- 5) Kit d'équilibrage



## OPTIONS DE MONTAGE

En l'absence d'une boîte de montage homologuée cUL (UL pour les États-Unis), prendre connaissance des instructions suivantes. Débrancher l'alimentation en retirant les fusibles ou en déclenchant les disjoncteurs de la boîte à prises.

Fixer la boîte à prises directement sur la structure du bâtiment. Utiliser des attaches et des matériaux de construction appropriés. La boîte à prises et son support doivent être en mesure de soutenir le poids du ventilateur en mouvement (au moins 22 kg). Ne pas utiliser de boîtes à prises en plastique.

Les **figures 1, 2 et 3** sont des exemples de différentes manières de démonter la boîte de sortie.

**REMARQUE :** Si vous installez le ventilateur de plafond sur un plafond voûté, vous pouvez avoir besoin d'une tige de suspension plus longue pour maintenir un dégagement approprié entre la pointe de la pale et le plafond. Un intervalle de 30 cm minimum est suggéré pour garantir un fonctionnement optimal.

**REMARQUE :** Selon l'emplacement sélectionné pour l'installation, il peut s'avérer nécessaire d'acheter et d'installer un étrier à solive pour soutenir la boîte à prises. S'assurer que l'étrier à solive qui sera acheté, a été conçu pour une utilisation avec des ventilateurs de plafond (**Fig. 4**).

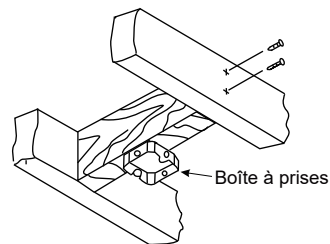


Fig. 1

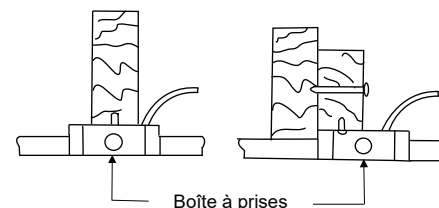


Fig. 2

PLAFOND EN ANGLE  
ANGLE DE 20° MAXIMUM

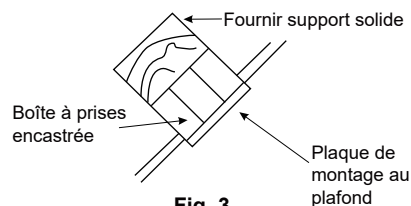


Fig. 3

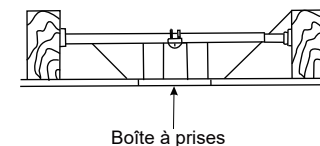


Fig. 4

# SUSPENSION DU VENTILATEUR

**RAPPEL** Toujours couper l'alimentation avant de commencer les travaux.

Pour installer correctement votre ventilateur de plafond, procéder comme suit.

**Étape 1.** Retirez le couvercle du fond du cache décoratif en le tournant dans le sens antihoraire (**Fig. 5**).

**Étape 2.** Retirez le support de fixation au plafond du cache en le enlevant (et en mettant de côté) une des deux vis. Desserrez la vis restante d'un demi-tour (**Fig. 5**).

**Étape 3.** Faites passer les fils d'alimentation de 120 V de la boîte à prises du plafond par le centre du support de montage au plafond (**Fig. 6**).

**Étape 4.** Fixez le support de montage au plafond à la boîte à prises en utilisant les vis et les rondelles fournies avec la boîte à prises (**Fig. 6**).

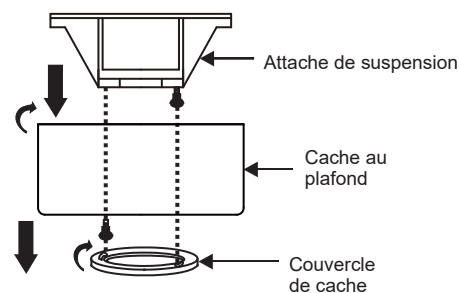


Fig. 5

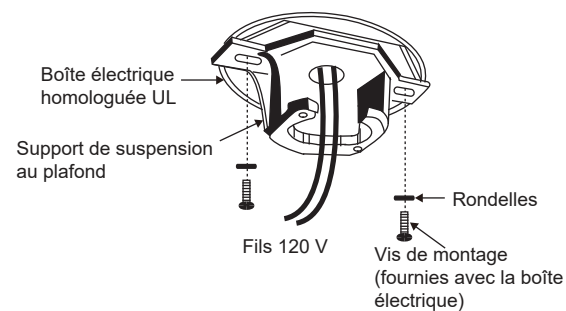


Fig. 6

# SUSPENSION DU VENTILATEUR

(SUITE)

**Étape 5.** Retirez la boule de suspension de la tige de fixation en desserrant la vis de blocage, en dévissant et en retirant la goupille transversale et en retirant la boule de la tige (**Fig. 7**).

**Étape 6.** Desserrez les deux vis de pression et enlevez la goupille ainsi que le clip de retenue du couplage sur le dessus du moteur (**Fig. 8**).

**Étape 7.** Acheminez soigneusement les fils conducteurs électriques depuis le ventilateur jusqu'à la tige de suspension. Installez la tige de suspension dans l'accouplement jusqu'à ce que les trous de goupille soient alignés.

Remplacez ensuite la goupille et le clip de retenue. Serrez les deux vis de pression (**Fig. 8**)

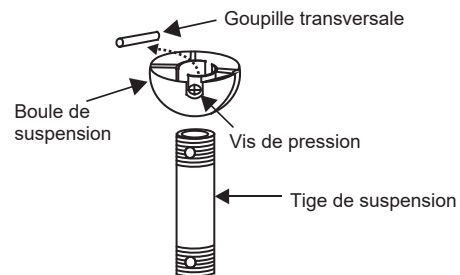


Fig. 7

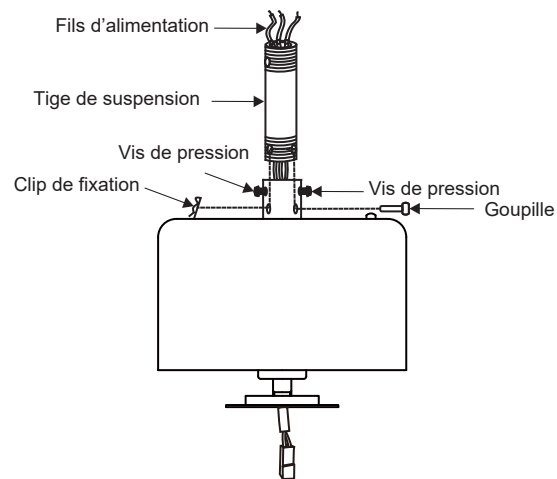


Fig. 8

# SUSPENSION DU VENTILATEUR

(SUITE)

**Étape 8.** Faites glisser le couvercle d'accouplement, le couvercle du cache et le cache sur la tige de suspension. (**Fig. 9**).

Placez la balle de suspension sur la tige de suspension, insérez la broche transversale dans la tige de suspension et serrez. Serrez maintenant la vis de pression. (**Fig. 9**).

**Étape 9.** Soulevez le moteur en position et placez la boule de suspension dans le support de montage au plafond.

Tournez l'ensemble jusqu'à ce que Check Tab (languette de contrôle) se trouve dans Registration Slot (Fente d'installation) et qu'il soit fermement logé (**Fig. 10**).

Le moteur entier ne doit pas tourner (à gauche ou à droite) lorsque l'installation est bien logée.

**AVERTISSEMENT :** Toujours fixer à nouveau la goupille et placer le Check Tab correctement sous risque de faire tomber le ventilateur du plafond pendant le fonctionnement. Prendre toutes les précautions nécessaires pour s'assurer que cette broche est remise en place.

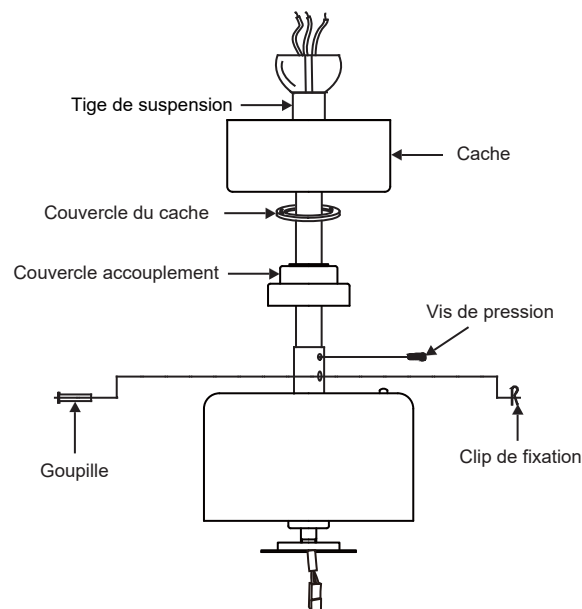


Fig. 9

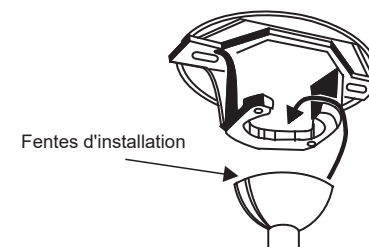


Fig. 10

# INSTALLATION DU SUPPORT DE SÉCURITÉ

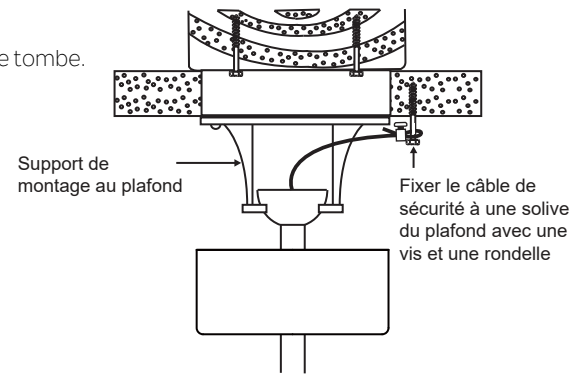
(requis **UNIQUEMENT** dans le cas d'une installation canadienne)

Un câble de support de sécurité est fourni pour empêcher que le ventilateur de plafond ne tombe.

**Étape 1.** Fixez la vis à bois et les rondelles fournies à la solive du plafond à côté du support de montage sans serrer (**Fig. 11**)

**Étape 2.** Ajustez la longueur du câble de sécurité pour atteindre la vis et les rondelles en tirant l'excès de câble à travers le serre-câble jusqu'à ce que la longueur totale soit correcte. Placez l'embout du câble à travers le serre-câble en formant une boucle à l'extrémité du câble. Serrez bien le serre-câble. Mettez maintenant la boucle à l'extrémité du câble de sécurité au-dessus de la vis à bois et sous la rondelle. Serrez bien la vis à bois.

**REMARQUE :** Le câble de support de sécurité est requis pour les installations canadiennes uniquement. Il est recommandé d'effectuer la fixation à toute installation.



**Fig. 11**

## CONNEXIONS ÉLECTRIQUES

**AVERTISSEMENT :** Pour éviter tout risque d'électrocution, s'assurer que l'alimentation est coupée au niveau du panneau de circuit principal.

Procédez comme suit pour raccorder le ventilateur au câblage du domicile. Utilisez les raccords de connexion des fils fournis avec le ventilateur. Fixez les connecteurs avec du ruban électrique. Assurez-vous qu'il n'y a pas de brins de fil ni de connexions desserrés.

**REMARQUE :** Le système de commande CoolTouch™ est équipé de 16 combinaisons de fréquences possibles pour éviter les interférences avec d'autres télécommandes. Les commutateurs de fréquence de votre récepteur et de votre émetteur ont été préréglés à l'usine. Veuillez confirmer que les commutateurs de l'émetteur et du récepteur sont réglés sur la même position, le ventilateur fonctionnera quelle que soit la combinaison tant que l'émetteur et le récepteur sont réglés sur la même position (**Fig. 12**).

**Étape 1.** Insérez le récepteur dans le support de montage au plafond avec le côté plat du récepteur face au plafond. (**Fig. 13**) Pour optimiser la performance, assurez-vous que l'antenne noire, à l'extrémité du récepteur, reste étendue et qu'elle n'est pas emmêlée avec les fils électriques.

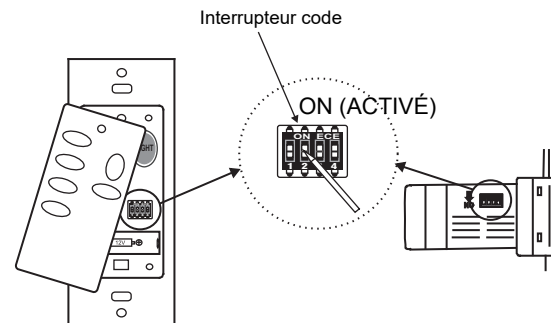


Fig. 12

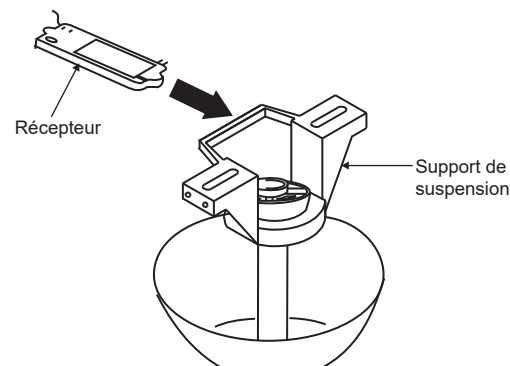


Fig. 13

## CONNEXIONS ÉLECTRIQUES (SUITE)

**Étape 2.** Connexions électriques entre le moteur et le récepteur : (Fig. 14)  
Connectez le fil NOIR du ventilateur au fil noir marqué "TO MOTOR L" du récepteur. Connectez le fil blanc du ventilateur au fil blanc marqué "TO MOTOR N" du récepteur. Connectez le fil bleu du ventilateur au fil bleu marqué pour l'éclairage ("FOR LIGHT") du récepteur. Sécurisez toutes les connexions de fils avec les serre-fils en plastique (fournis).

**Étape 3.** (Fig. 14) Connexions entre récepteur et fils d'alimentation du domicile :  
Connectez le fil noir (sous tension) du plafond au fil noir marqué "AC in L" du récepteur. Connectez le fil blanc (neutre) du plafond au fil blanc marqué "AC IN N" du récepteur. Sécurisez les connexions de fils avec les connecteurs en plastique (fournis).

**Étape 4.** (Fig.14) Si la boîte à prises a un fil de masse (vert ou cuivre nu), le connecter aux fils de mise à la terre du ventilateur : en l'absence de ce fil, connecter le fil de mise à la terre du ventilateur au support de montage. Sécurisez la connexion du fil avec l'écrou en plastique (fourni). Après avoir connecté les fils, séparez-les de sorte que les fils verts et blancs se trouvent sur un côté de la boîte à prises et les fils noirs et bleus de l'autre côté. Introduisez prudemment les raccordements des fils dans la boîte à prises.

**REMARQUE :** Le ventilateur doit être installé à une distance maximale de 9 m de l'émetteur mural pour garantir une transmission de signal optimale entre l'unité émettrice et l'unité réceptrice du ventilateur.

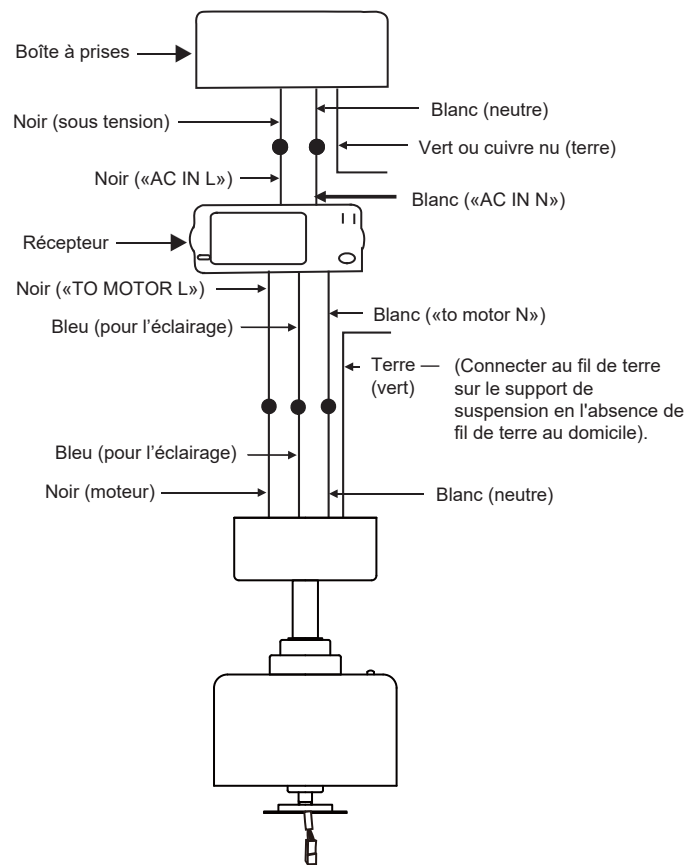


Fig. 14

## FIN DE L'INSTALLATION

**Étape 1.** Placez toutes les connexions parfaitement dans la boîte à prises du plafond.

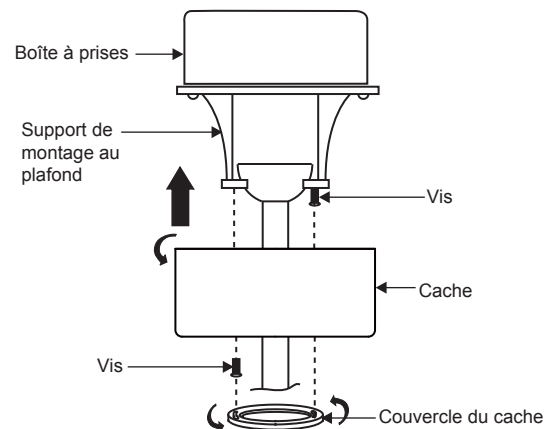
**Étape 2.** Faites glisser le cache jusqu'au support de montage et placez l'une des principales fentes de trou au-dessus de la vis de montage sur le support de montage.

Tournez le cache jusqu'à ce que la tête de la vis soit verrouillée en place à la section étroite du trou de serrure. Voir la **figure 15**.

**Étape 3.** Alignez le trou circulaire restant sur le cache au trou restant sur le support de montage au plafond. Insérez et serrez la vis de montage retirée plus tôt et la vis de montage de l'étape 2 ci-dessus. Fixez maintenant le couvercle du cache sur les têtes de vis de montage en insérant les têtes de vis dans la partie inférieure du cache et en tournant le couvercle dans le sens horaire.

**REMARQUE :** Réglez les vis du cache jusqu'à ce que le cache et le couvercle du cache soient ajustés correctement (**Fig. 15**).

**AVERTISSEMENT :** S'assurer que la languette de contrôle en bas de la bride de suspension soit bien calée dans la fente d'installation sur le côté de la boule de suspension avant de fixer le cache au support. Si la languette de contrôle n'est pas logée correctement dans la fente d'installation, les fils électriques lorsque la direction des pales du ventilateur change alors que le ventilateur est en marche.



**Fig. 15**

## FIXATION DES PALES DU VENTILATEUR

**Étape 1.** Fixer une pale sur un support de pale à l'aide des vis et rondelles de fibres fournies. (Fig. 16)

Vous assurer que la pale est droite lorsqu'installée sur le support. Répéter cette procédure pour chaque pale.

**Étape 2.** Fixer chaque support de pale sur le moteur à l'aide des vis de montage « préinstallées » sur les supports de pale. (Fig 16)

## INSTALLATION DE LA PLAQUE D'ÉCLAIRAGE

**Étape 1.** Desserrez les deux vis sur la bague de montage fixée à l'arbre du moteur, puis retirer et conservez la troisième vis. (Fig. 17).

**Étape 2.** Placez les fentes des trous en forme de serrure situés sur la plaque lumineuse sur les deux vis préalablement desserrées sur la bague de montage

Tournez la plaque lumineuse jusqu'à ce qu'elle soit verrouillée au niveau de la section étroite des trous en forme de serrure. Serrez fermement les deux vis du trou en forme de serrure et remplacez la troisième vis précédemment retirée.

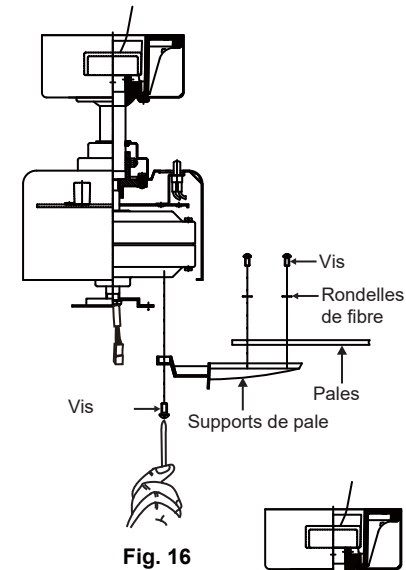


Fig. 16

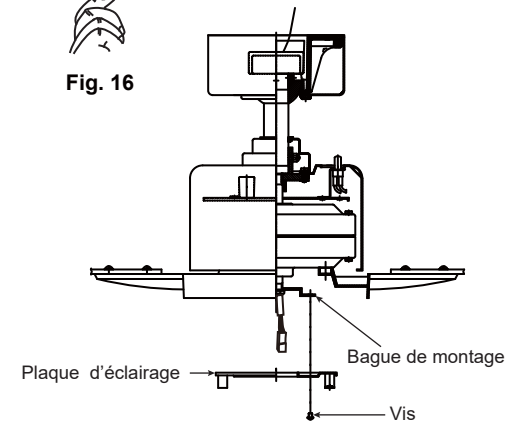


Fig. 17

## INSTALLATION DE L'ENSEMBLE LED ET DU CACHE EN VERRE

**REMARQUE :** Avant de procéder à l'installation, débrancher l'alimentation en déclenchant le disjoncteur ou en retirant le fusible de la boîte à fusibles.

**Étape 1.** Desserrez les trois vis de montage à l'intérieur du kit d'éclairage à LED (**Fig. 18**).

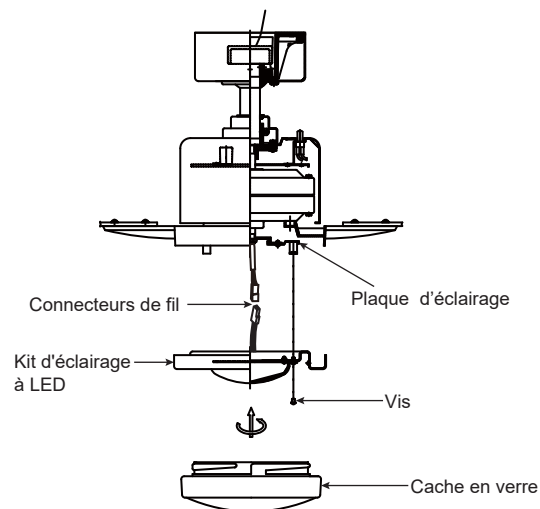
**Étape 2.** Maintenez le kit d'éclairage LED sous le moteur du ventilateur et établissez les connexions des fils : (**Fig. 18**).

- Rouge à blanc
- Noir à noir

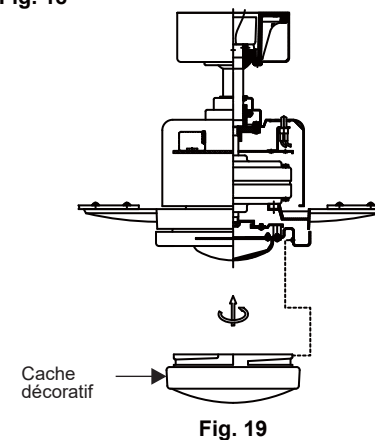
**REMARQUE :** Si vous n'avez pas l'intention d'installer le kit d'éclairage LED avec votre ventilateur pour l'instant, n'effectuez pas la connexion des fils. Soulevez le cache décoratif contre le kit d'éclairage LED et tournez-le dans le sens des aiguilles d'une montre jusqu'à ce qu'il soit bien ajusté. **NE PAS SERRER EXCESSIVEMENT (Fig. 19).**

**Étape 3.** Rentrez soigneusement les connexions dans la plaque lumineuse. Placez les trous en forme de serrure sur le kit d'éclairage à LED sur les 2 vis précédemment desserrées de la plaque d'éclairage et tournez ensuite le kit d'éclairage jusqu'à ce qu'il s'enclenche au niveau de la section étroite des trous en forme de serrure. Fixez en serrant les trois vis (**Fig. 18**).

**Étape 4.** Soulevez le cache en verre contre le kit d'éclairage et le tourner dans le sens des aiguilles d'une montre jusqu'à ce qu'il soit bien ajusté. **NE PAS SERRER EXCESSIVEMENT. (Fig. 18).**



**Fig. 18**



## INSTALLATION DES PILES

Retirez la plaque avant de l'interrupteur mural en la soulevant par le haut et placez ensuite la pile 12 V (fournie). Duracell MN21/Eveready A23/GP 23A toutes de 12 V.

Remplacez la plaque avant de l'interrupteur.

Pour éviter d'endommager l'émetteur, retirez ces piles s'il ne sera pas utilisé pendant de longues périodes (plusieurs mois).

## INSTRUCTIONS D'UTILISATION

Bouton HI (ÉLEVÉ) = Vitesse élevée  
Bouton MED (MOYEN) = Vitesse moyenne  
Bouton LOW (FAIBLE) = Vitesse faible  
Bouton FAN OFF (VENTILATEUR ARRÊTÉ) = Moteur arrêté

Le bouton d'éclairage permet d'allumer ou d'éteindre la lumière ainsi que de contrôler le réglage de la luminosité (**Fig. 21**).

Appuyez et maintenez enfoncé l'un de ces boutons pour régler la luminosité au niveau souhaité. La prochaine fois que vous allumez la lumière, le système aura mémorisé ce réglage.

Appuyez sur l'un des boutons pour allumer ou éteindre la lumière.

Ce système de contrôle N'A PAS été conçu pour "inverser" la rotation des pales. Pour régler les pales du ventilateur en marche arrière, utilisez l'interrupteur d'inversion à glissière qui est situé sur la partie supérieure du boîtier du moteur.

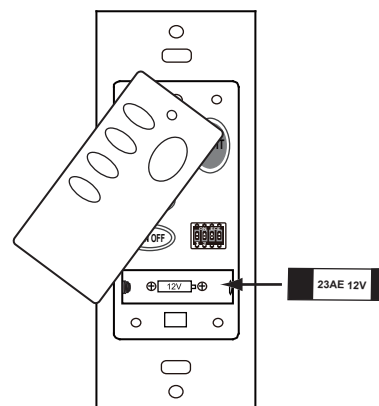


Fig. 20

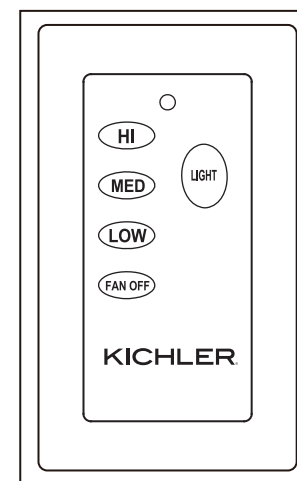


Fig. 21

## INSTALLATION DE LA FONCTION DE BASE PLAQUE MURALE DU SYSTÈME DE COMMANDE MURALE

Choisissez l'emplacement de l'installation de l'émetteur et de la plaque murale du système de commande murale aux fonctions de base.

Installez la plaque murale avec une boîte de commutation murale présente. Assurez-vous que l'alimentation électrique est COUPÉE au panneau principal avant de continuer.

**Étape 1.** Retirez la plaque murale existante et l'ancien interrupteur de la boîte électrique murale. Connecter les conducteurs NOIR (charge) ensemble à l'aide d'un écrou de connexion et les pousser délicatement dans la boîte de connexion. (**Fig. 22**)

**Étape 2.** Installez la plaque murale sur la boîte à prises existante à l'aide des vis fournies (**Fig. 23**).

Après avoir installé les ancrages muraux, fixez la plaque murale avec les vis de montage pour terminer l'installation.

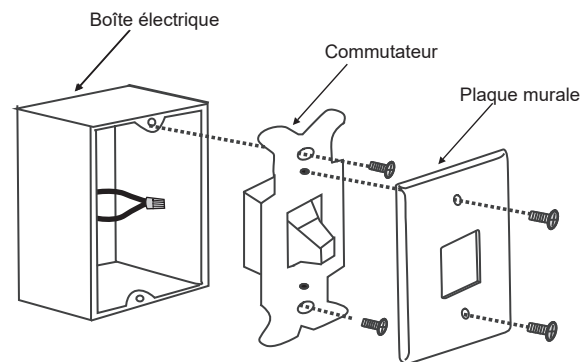


Fig. 22

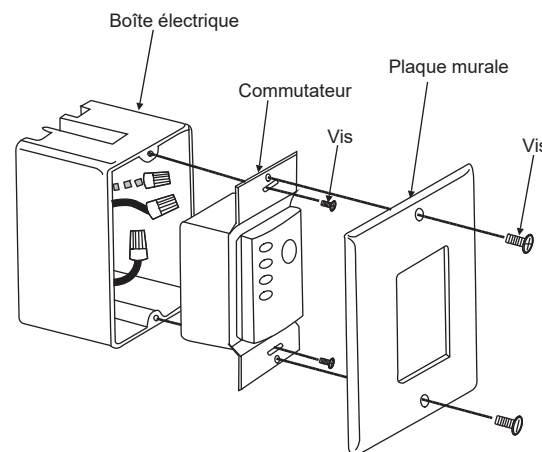


Fig. 23

## INSTRUCTIONS D'UTILISATION

REMARQUE : Ce système de contrôle N'A PAS été conçu pour "inverser" la rotation des pales. Pour régler les pales du ventilateur en marche arrière, utilisez l'interrupteur d'inversion à glissière qui est situé sur la partie supérieure du boîtier du moteur.

Temps chaud - Avant (sens antihoraire) Un flux d'air vers le bas crée un effet de refroidissement (voir la **figure 24**). Ceci vous permet de régler votre climatisation pour une température plus élevée sans affecter votre confort.

Temps frais - Arrière (sens horaire) Un flux d'air vers le haut déplace l'air chaud hors de la zone du plafond (voir la **Fig. 25**). Cela vous permet de régler votre degré de chaleur du plus chaud au plus frais sans affecter votre confort général.

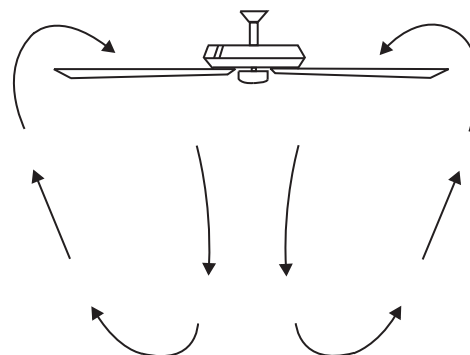


Fig. 24

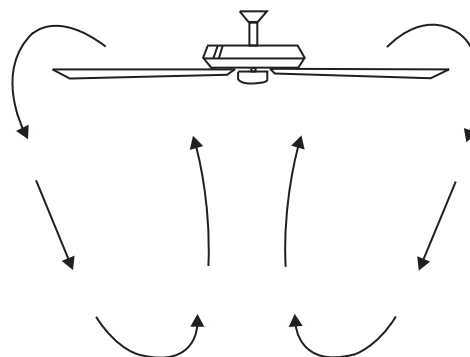


Fig. 25

# DÉPANNAGE

## Problème

## Solution

Impossible de mettre le ventilateur en marche.

1. Vérifiez les fusibles ou disjoncteurs de circuit.
2. Vérifiez tous les raccordements électriques pour garantir un bon contact.  
**MISE EN GARDE :** Assurez-vous que l'alimentation principale est COUPÉE lors de la vérification des raccordements électriques.

Le ventilateur est bruyant.

1. Assurez-vous que toutes les vis du boîtier du moteur sont bien ajustées.
2. Assurez-vous que les vis qui fixent les supports des pales du ventilateur au moteur sont bien serrées.
3. Assurez-vous que les connexions des raccords filaires ne frottent pas les uns contre les autres ou contre la paroi intérieure du boîtier d'interrupteur.  
**MISE EN GARDE :** Assurez-vous que l'alimentation est coupée.
4. La période de rodage est de de 24 heures. La majorité des bruits associés à un nouveau ventilateur disparaissent pendant la période de rodage.
5. Si vous utilisez un kit d'éclairage en option, assurez-vous que les vis de fixation de la verrerie sont serrées. Assurez-vous que les ampoules ne sont pas en contact avec aucun autre composant.
6. Ne pas connecter le ventilateur à un ou plusieurs contrôleurs de vitesse variables muraux. Ils ne sont pas compatibles avec les moteurs de ventilateur de plafond ou les télécommandes.
7. Assurez-vous que la monture supérieure est à une courte distance du plafond. Il ne doit pas toucher le plafond.

Le ventilateur vacille.

1. Vérifiez que toutes les vis des pales et des bras de pales sont sécurisées.
2. La plupart des problèmes de vacillement des ventilateurs provient des niveaux inégaux des pales. Vérifiez ce niveau en sélectionnant un point au plafond au-dessus de l'extrémité d'une des pales. Mesurez cette distance. Faites tourner le ventilateur jusqu'à ce que la prochaine pale soit positionnée pour la mesure. Répétez pour chaque pale. L'écart de distance doit se trouver dans les 1/8 po.
3. Si le vacillement des pales est toujours perceptible, échangez deux pales adjacentes (côte à côte) pour redistribuer le poids et éventuellement permettre un fonctionnement plus équilibré.

Dysfonctionnement de la télécommande.

1. Les ventilateurs de plafond avec des systèmes de contrôle à distance **NE PEUVENT PAS** fonctionner conjointement avec tout autre système de contrôle, **SAUF** un interrupteur mural de marche/arrêt, si souhaité.

## FCC Information

Cet appareil est conforme à la section 15 de la réglementation de la FCC. L'exploitation est soumise aux deux conditions suivantes :

1) Cet équipement ne doit pas causer d'interférences nuisibles, et

2) Cet équipement doit accepter toute interférence reçue, y compris les interférences risquant d'engendrer un fonctionnement indésirable.

Remarque : Des tests ont confirmé que ce matériel respecte les limites d'un dispositif numérique de catégorie B, en vertu de la section 15 de la réglementation de la FCC. Ces limites ont été conçues pour fournir une protection raisonnable contre le brouillage nuisible d'une installation résidentielle. Cet équipement génère, utilise et peut rayonner de l'énergie radiofréquence et, s'il n'est pas installé et utilisé selon les instructions, peut causer de l'interférence nuisible aux communications de radio. Cependant, il est néanmoins possible qu'il y ait de l'interférence dans une installation en particulier. Si cet équipement cause du brouillage nuisible à la réception du signal de radio ou de télévision, ce qui peut être déterminé en éteignant puis en rallumant l'appareil, l'utilisateur peut essayer de corriger l'interférence en appliquant une des mesures suivantes :

- Réorienter l'antenne de réception ou changer son emplacement.
- Augmenter la distance séparant l'équipement et le récepteur.
- Brancher le matériel dans la prise de courant d'un circuit différent de celui auquel le récepteur est branché.
- Consulter le revendeur ou un technicien radio/télé d'expérience.

# KICHLER®

[www.kichler.com](http://www.kichler.com)

**KICHLER® LIGHTING**

**7711 EAST PLEASANT VALLEY ROAD P.O. BOX 318010**

**CLEVELAND, OHIO 44131-8010**

**SERVICE À LA CLIENTÈLE 866.558.5706**

**De 08h30 à 17h (heure normale de l'Est), du lundi au vendredi**

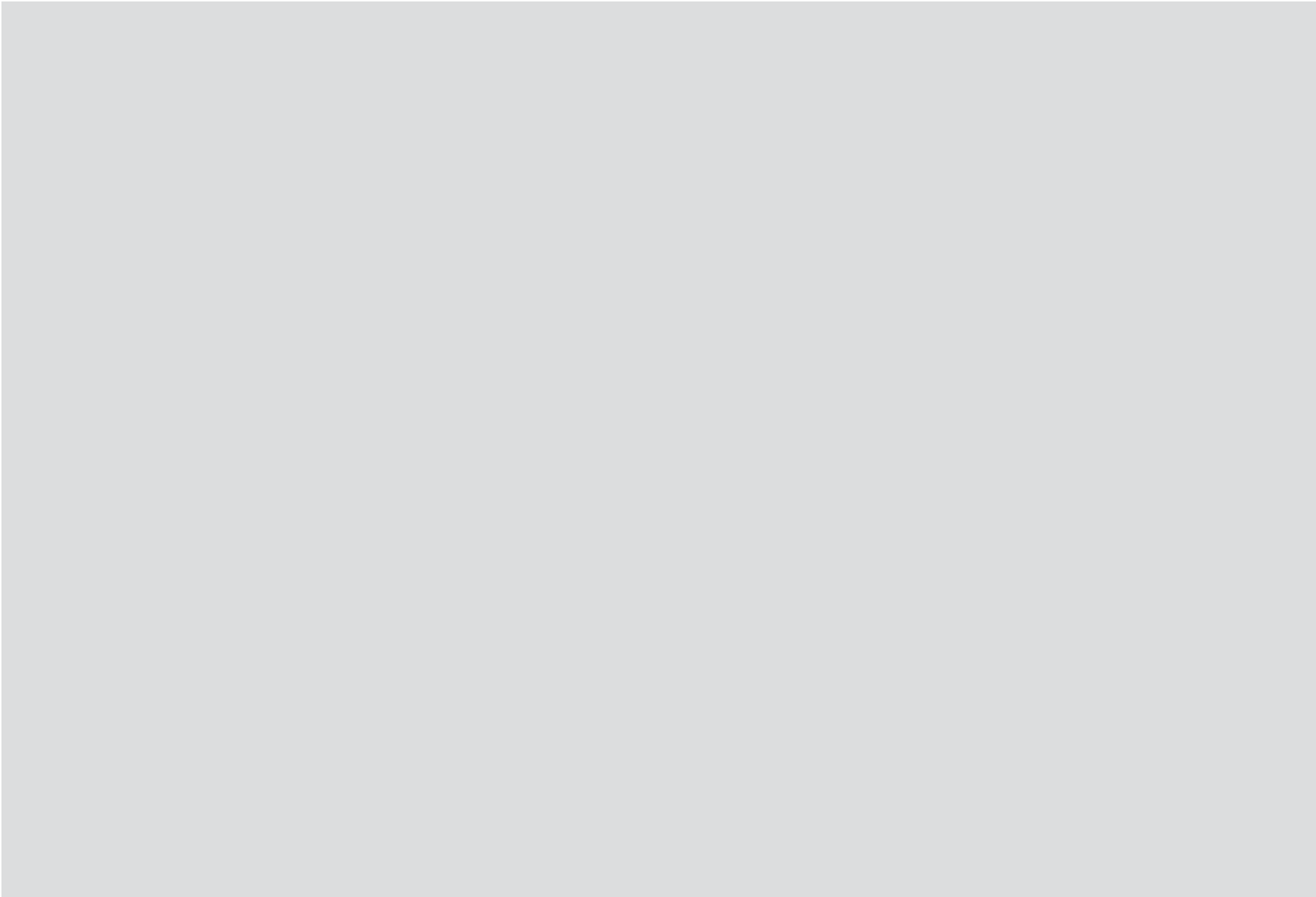
# KICHLER®

## VENTILADOR CON LED DE 52" LUCIAN™

Las imágenes del producto pueden variar levemente respecto del producto real.



## MANUAL DE INSTRUCCIONES



# ÍNDICE

NORMAS DE SEGURIDAD.....	4
HERRAMIENTAS REQUERIDAS.....	5
CONTENIDO DEL ENVASE.....	5
OPCIONES DE MONTAJE.....	6
CÓMO COLGAR EL VENTILADOR.....	7
INSTALACIÓN DEL SOPORTE DE SEGURIDAD.....	10
CONEXIONES ELÉCTRICAS.....	11
FINALIZACIÓN DE LA INSTALACIÓN.....	13
ACOPLAMIENTO DE LAS ASPAS .....	14
INSTALACIÓN DE LA PLACA DE ILUMINACIÓN.....	14

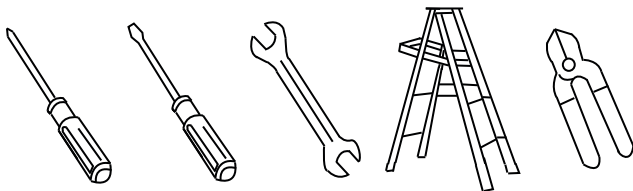
INSTALACIÓN DEL KIT DE ILUMINACIÓN LED Y LA PANTALLA DE VIDRIO.....	15
INSTALACIÓN DE LAS BATERÍAS.....	16
INSTRUCCIONES DE FUNCIONAMIENTO.....	16
INSTALACIÓN DE LA PLACA DE PARED DEL SISTEMA DE CONTROL DE PARED.....	17
INSTRUCCIONES DE FUNCIONAMIENTO.....	18
LOCALIZACIÓN Y RESOLUCIÓN DE PROBLEMAS.....	19

# NORMAS DE SEGURIDAD

1. Para reducir el riesgo de descarga eléctrica, asegúrese de haber cortado el suministro de energía desde el disyuntor o la caja de fusibles antes de comenzar.
2. Todo el cableado debe realizarse conforme a lo establecido por el Código de Electricidad Nacional y a los códigos eléctricos locales. La instalación eléctrica debe ser realizada por un electricista con licencia profesional.
3. **ADVERTENCIA:** No apto para uso con controles de velocidad de estado sólido.
4. **ADVERTENCIA:** Para reducir el riesgo de incendio, descarga eléctrica o lesiones personales, instale el dispositivo en una caja de distribución eléctrica designada como "Aceptable para soporte de ventiladores de 15,8 kg (35 libras) o menos" y use tornillos de montaje provistos con la caja de distribución eléctrica. La mayoría de las cajas de distribución eléctrica utilizadas comúnmente para el soporte de artefactos de iluminación no resultan adecuadas para el soporte de ventiladores y pueden requerir un reemplazo. Debido a la complejidad de la instalación de este ventilador, se recomienda contratar los servicios de un electricista con licencia profesional.  
**ADVERTENCIA: PARA REDUCIR EL RIESGO DE INCENDIO, DESCARGA ELÉCTRICA O LESIONES PERSONALES, INSTALE EL VENTILADOR ÚNICAMENTE EN UNA CAJA DE DISTRIBUCIÓN ELÉCTRICA "ACEPTABLE PARA EL SOPORTE DE VENTILADORES".**
5. La caja de distribución eléctrica y la estructura de soporte deben instalarse en forma segura y ser capaces de soportar completamente un peso mínimo de 50 libras. Utilice únicamente cajas de distribución eléctrica con certificación CUL designadas como "**ACEPTABLES PARA SOPORTE DE VENTILADORES**".
6. El ventilador debe instalarse con una distancia mínima de 7 pies entre el borde posterior de las aspas y el piso.
7. Para operar la función inversa en este ventilador, oprima el botón de sentido inverso mientras el ventilador esté funcionando.
8. Evite colocar objetos en el recorrido de las aspas del ventilador.
9. Para evitar lesiones personales o daños al ventilador y otros objetos, tome todos los recaudos necesarios al limpiar o trabajar en el ventilador.
10. No utilice agua ni detergente para limpiar el ventilador o las aspas del ventilador. Un paño seco o levemente humedecido será suficiente para realizar la mayoría de las tareas de limpieza.
11. Después de realizar las conexiones eléctricas, los empalmes de los conductores deben colocarse hacia arriba y empujarse con cuidado hacia arriba hasta introducirse en la caja de distribución eléctrica. Los cables deben estar bien espaciados con el conductor de puesta a tierra y el conductor de puesta a tierra del equipo de un costado de la caja de distribución eléctrica.
12. Los diagramas eléctricos se incluyen únicamente a efectos ilustrativos. Los kits de iluminación no incluidos con el ventilador deben contar con certificación CUL y estar autorizados para uso con el modelo de ventilador que usted esté instalando. Los interruptores deben ser interruptores de uso general con certificación CUL. Consulte las instrucciones que se incluyen con los kits de iluminación y los interruptores para un ensamblaje adecuado.  
**ADVERTENCIA: PARA REDUCIR EL RIESGO DE LESIONES PERSONALES, NO CURVE LOS SOPORTES DE LAS ASPAS (TAMBIÉN DENOMINADOS ABRAZADERAS) DURANTE EL ENSAMBLAJE O DESPUÉS DE LA INSTALACIÓN. NO INSERTE OBJETOS EN EL RECORRIDO DE LAS ASPAS.**

## HERRAMIENTAS REQUERIDAS

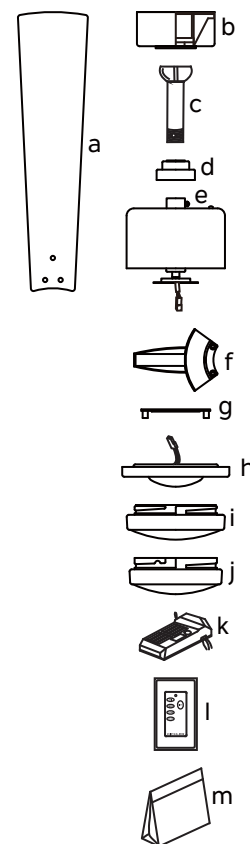
Destornillador Philips  
Destornillador plano  
Llave de 11 mm  
Escalera  
Cortacables



## CONTENIDO DEL ENVASE

Retire el ventilador de la caja y verifique que estén todos sus componentes. La caja debería contener los siguientes elementos:

- a. Aspas del ventilador (5)
  - b. Soporte de montaje para cielorraso y cubierta
  - c. Ensamblaje de bola/Vástago de extensión
  - d. Tapa de acoplamiento
  - e. Ensamblaje del motor del ventilador
  - f. Juego de 5 soportes para aspas y tornillos de montaje preinstalados.
  - g. Placa de iluminación
  - h. Kit de iluminación LED de 16V
  - i. Pantalla de vidrio
  - j. Cubierta inferior decorativa
  - k. Receptor
  - l. Transmisor de pared
  - m. Contenido de la bolsa de pieza
- 1) Piezas metálicas de montaje: tirafondos (2), arandelas planas (2), arandelas de estrella (2), tuercas para cable (3), tornillos (2)
  - 2) Piezas metálicas para acoplamiento de las aspas: tornillos (16), arandelas de fibra (16)
  - 3) Fijación del soporte del aspa: tornillos (2)
  - 4) Piezas metálicas del cable de seguridad: tirafondos, arandela de seguridad, arandela plana
  - 5) Kit de balanceo



## OPCIONES DE MONTAJE

Si no hay ninguna caja de montaje existente con certificación UL (cUL para instalación en Canadá), entonces lea las siguientes instrucciones. Desconecte el suministro de energía eléctrica retirando los fusibles o apagando los disyuntores.

Sujete la caja de distribución directamente a la estructura de la construcción. Utilice tornillos de fijación y materiales de construcción adecuados. La caja de distribución eléctrica y su soporte deben ser capaces de soportar completamente el peso en movimiento del ventilador (por lo menos 50 libras). No utilice cajas de distribución eléctrica de plástico.

Las **figuras 1, 2 y 3** son ejemplos de diferentes formas de montaje de la caja de distribución.

**NOTA:** Si usted está instalando el ventilador de techo en un cielorraso cóncavo (abovedado), es posible que necesite un vástago de extensión más largo para mantener la separación adecuada entre el extremo de las aspas y el techo. Se recomienda una separación de 12" para un funcionamiento óptimo.

**NOTA:** Dependiendo del lugar que haya seleccionado para la instalación, es posible que usted necesite comprar e instalar un "colgante de viga" para el soporte de la caja de distribución eléctrica. Asegúrese de que el colgante de viga que compre se haya diseñado para uso con ventiladores de techo. (**Fig. 4**)

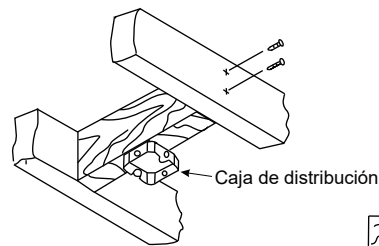
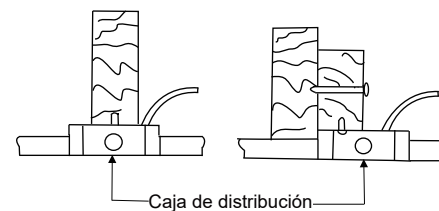


Fig. 1



CIELORRASO EN ÁNGULO,  
MÁXIMO DE 20°

Proporcionar un soporte robusto

Fig. 2

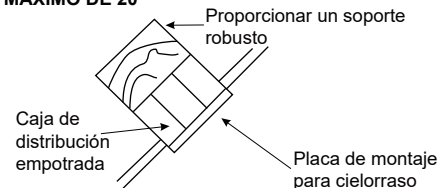


Fig. 3

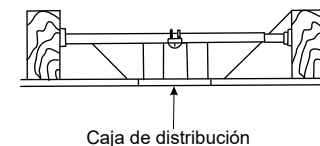


Fig. 4

# CÓMO COLGAR EL VENTILADOR

**RECUERDE** desconectar el suministro de energía eléctrica antes de comenzar con la instalación.

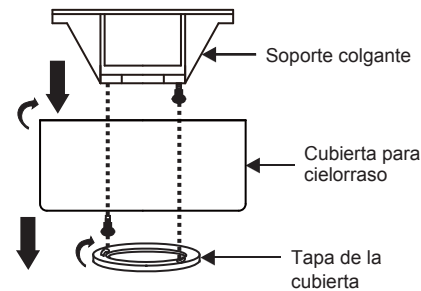
Para instalar su ventilador de techo de manera adecuada, siga los pasos detallados a continuación.

**Paso 1.** Retire la tapa inferior de la cubierta decorativa haciéndola girar en sentido antihorario. **(Fig. 5)**

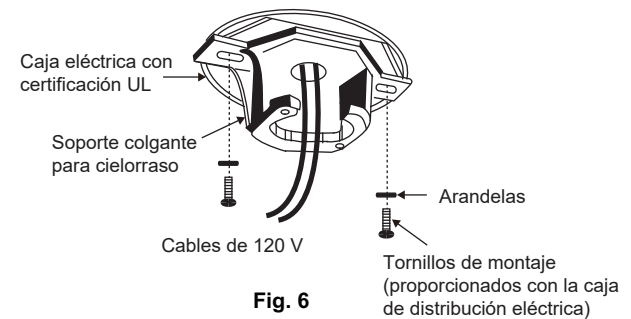
**Paso 2.** Retire el soporte de montaje para cielorraso de la cubierta quitando uno de los dos tornillos (que debe guardarse). Afloje media vuelta el otro tornillo. **(Fig. 5)**

**Paso 3.** Pase los cables de alimentación de 120 voltios desde la caja de distribución eléctrica del techo a través del centro de la placa de montaje de techo. **(Fig. 6)**

**Paso 4.** Acople el soporte de montaje para cielorraso a la caja de distribución eléctrica utilizando los tornillos y las arandelas incluidas con la caja de distribución. **(Fig. 6)**



**Fig. 5**



**Fig. 6**

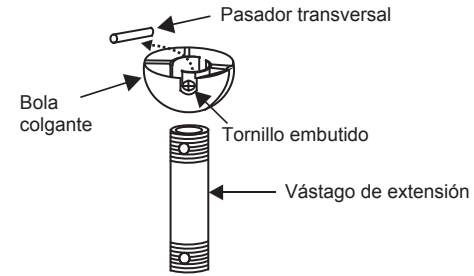
## CÓMO COLGAR EL VENTILADOR (CONTINUACIÓN)

**Paso 5.** Retire la bola colgante del ensamblaje del vástago de extensión aflojando el tornillo embutido, desatornillándolo y retirando el pasador transversal y deslizando la bola hasta sacarla del vástago. (**Fig. 7**)

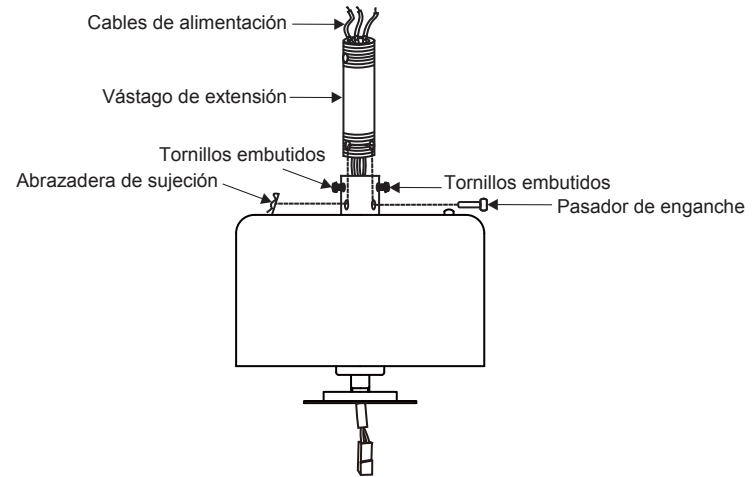
**Paso 6.** Afloje los dos tornillos y retire el pasador de enganche y el clip de sujeción del acoplamiento en la parte superior del ensamblaje del motor. (**Fig. 8**)

**Paso 7.** Inserte con cuidado los cables eléctricos desde el ventilador hacia arriba a través del vástago de extensión. Enrosque el vástago de extensión en el acoplamiento hasta que los orificios del pasador de enganche estén alineados.

Luego, vuelva a colocar el pasador de enganche y la abrazadera de sujeción. Ajuste ambos tornillos embutidos. (**Fig. 8**)



**Fig. 7**



**Fig. 8**

## CÓMO COLGAR EL VENTILADOR (CONTINUACIÓN)

**Paso 8.** Deslice la tapa de acoplamiento, la tapa de la cubierta y la cubierta sobre el vástago de extensión. **(Fig. 9)**

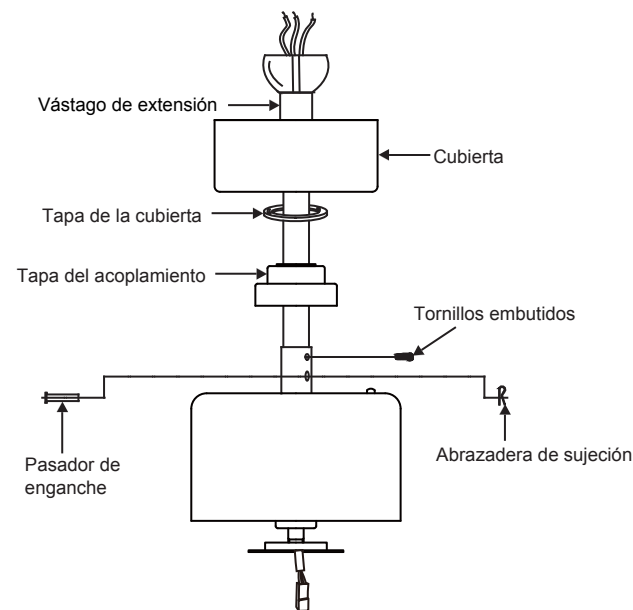
Enrosque la bola colgante en el vástago de extensión, inserte el pasador transversal en el vástago de extensión y ajuste. Ahora, ajuste el tornillo embutido. **(Fig.9)**

**Paso 9.** Levante el cuerpo del motor hasta ubicarlo en posición y coloque la bola colgante dentro del soporte de montaje para cielorraso.

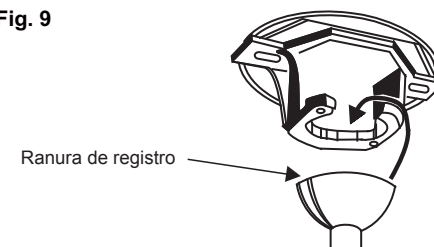
Gire el ensamblaje completo hasta que la “pestaña de verificación” haya caído en la “ranura de registro” y se haya asentado con firmeza. **(Fig. 10)**

El cuerpo completo del motor no girará (hacia la derecha o hacia la izquierda) si esto se hace correctamente.

**ADVERTENCIA:** no se vuelve a acoplar el pasador transversal y asentar la “pestaña de verificación” el ventilador podría caer durante su funcionamiento. Tome todos los recaudos necesarios para asegurarse de que el pasador vuelva a posicionarse en su lugar.



**Fig. 9**



**Fig. 10**

# INSTALACIÓN DEL SOPORTE DE SEGURIDAD

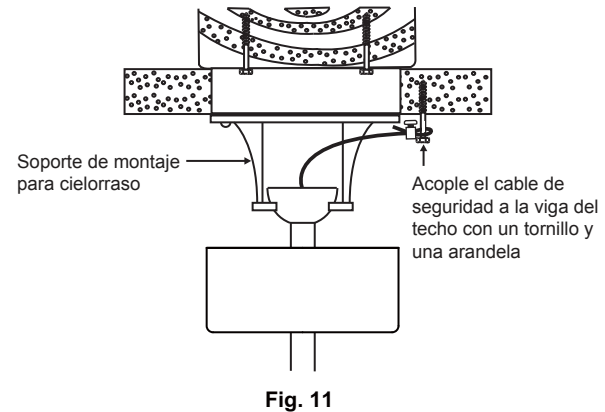
(SE REQUIERE ÚNICAMENTE PARA SU INSTALACIÓN EN CANADÁ)

Se incluye un cable de soporte de seguridad que contribuye a evitar que el ventilador de techo se caiga.

**Paso 1.** Inserte el tirafondo y arandelas proporcionados en el colgante de viga junto al soporte de montaje, pero no ajuste. (**Fig. 11**)

**Paso 2.** Ajuste la longitud del cable de seguridad para alcanzar el tornillo y las arandelas jalando todo el cable extra a través del sujetacables hasta que la longitud total sea la correcta; coloque el extremo del cable hacia atrás a través del sujetacables, formando un bucle al final del cable. Ajuste el sujetacables con firmeza. Ahora, coloque el bucle al final del cable de seguridad por encima del tirafondo y por debajo de la arandela. Ajuste bien el tirafondo.

**NOTA:** Aunque el cable de soporte de seguridad se requiere únicamente para instalaciones en Canadá, se recomienda su uso con cualquier instalación.



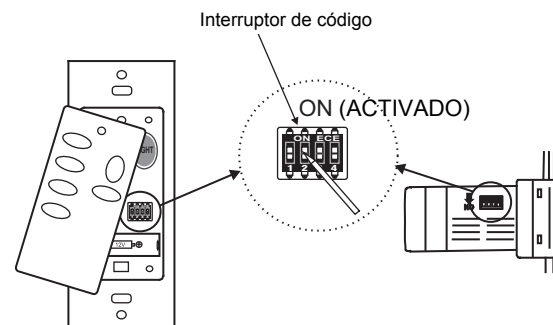
## CONEXIONES ELÉCTRICAS

**ADVERTENCIA:** Para evitar posibles descargas eléctricas, asegúrese de haber desconectado el suministro de energía eléctrica desde el panel de circuito principal.

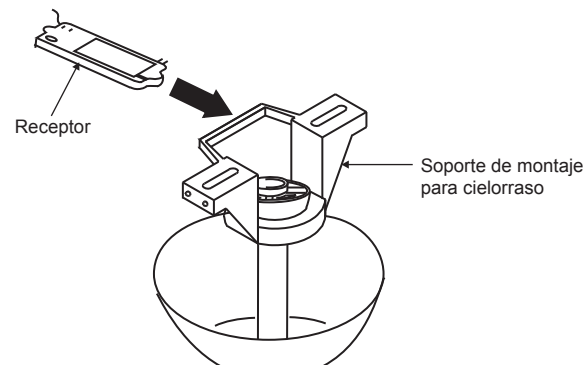
Siga los pasos a continuación para conectar el ventilador al cableado de su hogar. Utilice las tuercas para cable proporcionadas con el ventilador. Asegure los conectores con cinta aislante. Asegúrese de que no haya conexiones o terminaciones de cables sueltas.

**NOTA:** El sistema de control CoolTouch™ está equipado con 16 posibles combinaciones de frecuencias para evitar la interferencia desde o con otras unidades de control remoto. Los interruptores de frecuencia del receptor y el transmisor vienen configurados de fábrica. Vuelva a verificar para comprobar que los interruptores del receptor y el transmisor estén en la misma posición; cualquier combinación de configuraciones hará funcionar el ventilador siempre que el transmisor y el receptor estén en la misma posición. **(Fig. 12)**

**Paso 1.** Inserte el receptor en el soporte de montaje para cielorraso con el lado plano del receptor mirando al techo. **(Fig. 13)** Para un mejor desempeño, asegúrese de que la antena negra, al final del receptor, permanezca extendida y no se enrosque con ningún cable eléctrico.



**Fig. 12**



**Fig. 13**

# CONEXIONES ELÉCTRICAS (CONTINUACIÓN)

## Paso 2. Conexiones eléctricas del motor al receptor: (Fig. 14)

Conecte el cable negro del ventilador al cable negro marcado como "TO MOTOR L" (AL MOTOR L) del receptor. Conecte el cable blanco del ventilador al cable blanco marcado como "TO MOTOR N" (AL MOTOR N) del receptor. Conecte el cable azul del ventilador al cable azul marcado como "FOR LIGHT" (PARA ILUMINACIÓN) del receptor. Asegure las conexiones de cables con las tuercas plásticas para cable proporcionadas.

**Paso 3. (Fig. 14)** Conexiones eléctricas del receptor a los cables de alimentación del hogar: Conecte el cable negro (caliente) del cielorraso al cable negro marcado como "AC in L" (CA en L) del receptor. Conecte el cable blanco (neutro) del cielorraso con el cable blanco marcado como "AC in N" (CA en N) del receptor. Asegure las conexiones de cables con las tuercas plásticas para cable proporcionadas.

**Paso 4. (Fig. 14)** Si su caja de distribución tiene un cable de puesta a tierra (verde o cobre sin recubrimiento), conéctelo a los cables de puesta a tierra del ventilador; en caso contrario, conecte el cable de puesta a tierra del soporte colgante al soporte de montaje. Asegure la conexión eléctrica con una tuerca de plástica para cable proporcionada. Después de haber conectado los cables, sepárelos de manera que el cable verde y el cable blanco queden de un costado de la caja de distribución y el cable azul y el cable negro queden del otro costado. Empuje con cuidado las conexiones de cables hacia arriba dentro de la caja de distribución.

**NOTA:** El ventilador debe instalarse a una distancia mínima de 30 pies del transmisor de pared para lograr una transmisión óptima de la señal entre el transmisor y la unidad receptora del ventilador.

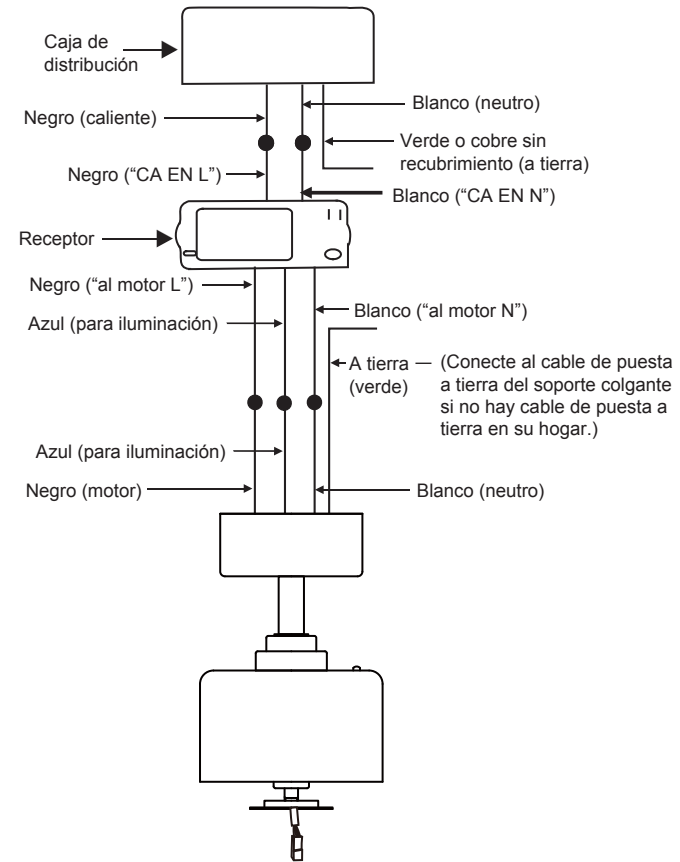


Fig. 14

# FINALIZACIÓN DE LA INSTALACIÓN

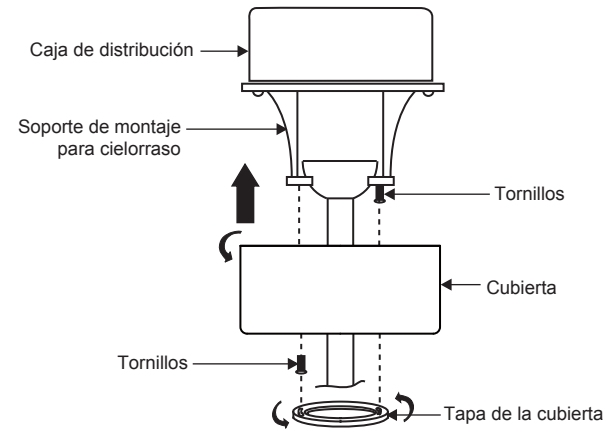
**Paso 1.** Inserte las conexiones en forma ordenada dentro de la caja de distribución eléctrica del cielorraso.

**Paso 2.** Deslice la cubierta hacia arriba hasta el soporte de montaje y coloque una de las ranuras de los orificios principales sobre el tornillo de montaje en el soporte de montaje. Haga girar la cubierta hasta que el tornillo se trabe en posición en la sección angosta del orificio principal. Ver **Figura 15**.

**Paso 3.** Alinee el orificio circular restante sobre la cubierta con el orificio restante del soporte de montaje para cielorraso. Inserte y ajuste el tornillo de montaje que retiró anteriormente y el tornillo de montaje del Paso 2 arriba. Ahora, acople la tapa de la cubierta con las cabezas del tornillo de montaje insertando las cabezas de los tornillos del lado inferior de la tapa de la cubierta y haciendo girar la tapa en sentido horario.

**NOTA:** Ajuste los tornillos de la cubierta según sea necesario hasta que la cubierta y la tapa de la cubierta estén bien ajustadas. (**Fig. 15**)

**ADVERTENCIA:** Asegúrese de que la “Pestaña de verificación” en la parte inferior del soporte colgante esté bien apoyada en la “ranura de registro” en el costado de la bola colgante antes de acoplar la cubierta con el soporte. El asiento incorrecto de la “pestaña de verificación” puede dañar los cables eléctricos cuando la dirección de las aspas del ventilador del techo se modifique con el ventilador en movimiento.



**Fig. 15**



## ACOPLAMIENTO DE LAS ASPAS

**Paso 1.** Acople un aspa al soporte del aspa utilizando los tornillos y las arandelas de fibra proporcionados. (Fig. 16)

Asegúrese de que el aspa esté derecha al colocarse en el soporte del aspa. Ajuste cada tornillo de montaje. Repita este procedimiento con cada una de las aspas restantes.

**Paso 2.** Acople cada ensamblaje del aspa al motor utilizando los tornillos de montaje "preinstalados" en el soporte del aspa. (Fig. 16)

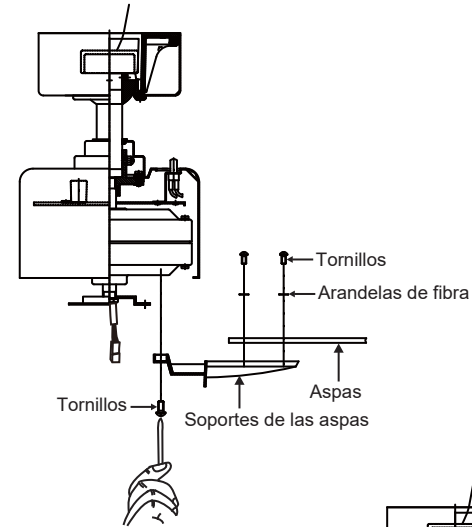


Fig. 16

## INSTALACIÓN DE LA PLACA DE ILUMINACIÓN

**Paso 1.** Afloje los dos tornillos del anillo de montaje acoplados al eje del motor y "retire" y guarde el tercer tornillo. (Fig. 17)

**Paso 2.** Coloque las ranuras de los orificios principales de la placa de montaje sobre los dos tornillos aflojados previamente del anillo de montaje.

Haga girar la placa de montaje hasta que se trabe en posición en el extremo angosto de las ranuras de los orificios principales.

Ajuste ambos tornillos de los orificios principales y vuelva a colocar el tercer tornillo retirado previamente y ajuste bien.

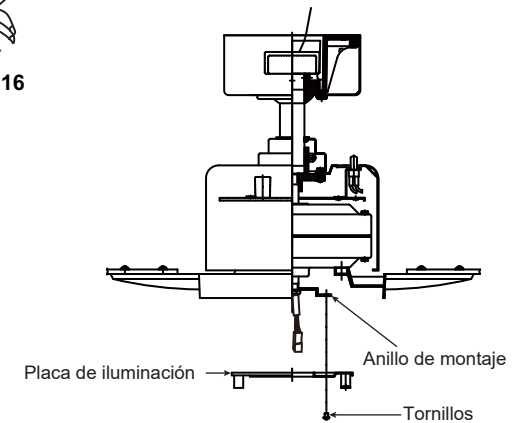


Fig. 17

# INSTALACIÓN DEL ENSAMBLAJE DE ILUMINACIÓN LED Y LA PANTALLA DE VIDRIO

**NOTA:** Antes de comenzar con la instalación, asegúrese de haber cortado el suministro de energía desconectando el disyuntor o retirando el fusible de la caja de fusibles.

**Paso 1.** Afloje los tres tornillos de montaje del interior del kit de iluminación LED (**Fig. 18**)

**Paso 2.** Mientras sujeta el kit de iluminación LED por debajo del motor del ventilador, prepare las conexiones eléctricas: (**Fig. 18**)

- Rojo con blanco
- Negro con negro

**NOTA:** Si no planea instalar el kit de luz LED con su ventilador en este momento, no haga las conexiones de los cables. Levante la cubierta inferior decorativa contra el kit de luces LED y gírela en el sentido de las agujas del reloj hasta que esté bien ajustada, NO APRIETE DEMASIADO. (**Fig. 19**)

**Paso 3.** Inserte las conexiones en forma ordenada dentro de la placa de iluminación. Coloque los orificios principales del kit de iluminación LED sobre los dos tornillos aflojados previamente de la placa de iluminación, gire el kit de iluminación LED hasta que se trabe en posición en el extremo angosto de las ranuras de los orificios principales. Ajuste bien los tres tornillos. (**Fig. 18**)

**Paso 4.** Levante la pantalla de vidrio contra el kit de iluminación y hágala girar en sentido horario hasta que quede ajustada. NO AJUSTE EN EXCESO. (**Fig. 18**).

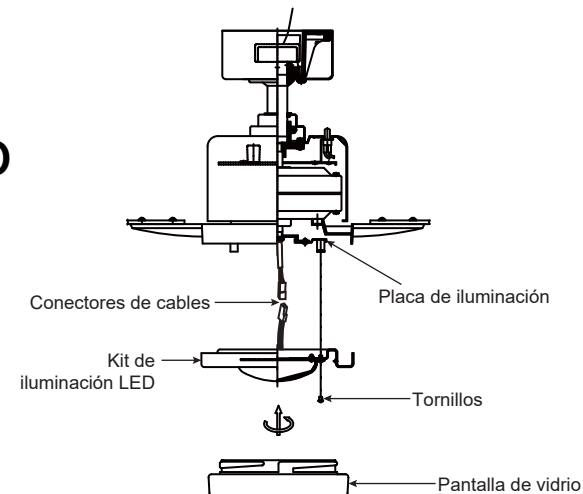


Fig. 18

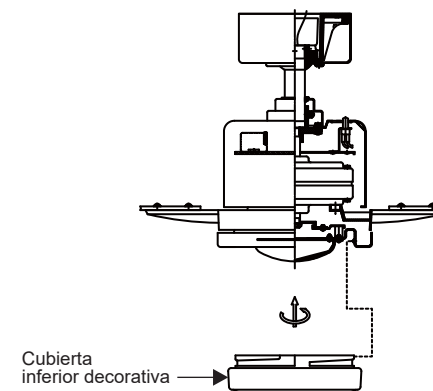


Fig. 19

## INSTALACIÓN DE LAS BATERÍAS

Retire la placa frontal del interruptor de pared levantando la parte superior e inserte luego la batería de 12V proporcionada. Duracell MN21/Eveready A23/GP 23A todas de 12V.

Vuelva a colocar la placa frontal del interruptor en su lugar.

Para evitar posibles daños al transmisor, retire la batería si el artefacto no se utiliza por períodos prolongados (meses).

## INSTRUCCIONES DE FUNCIONAMIENTO

Botón HI = Alta velocidad  
Botón MED = Velocidad media  
Botón LOW = Baja velocidad  
Botón FAN OFF (APAGAR VENTILADOR) = Motor apagado  
Botón LIGHT (ILUMINACIÓN) = el botón "LIGHT" (ILUMINACIÓN) permite encender y apagar la luz y controla, además, la intensidad de la luz. (Fig. 21)

Presione y mantenga presionado cualquier botón para configurar el nivel de intensidad deseado. La próxima vez que encienda la luz, el sistema recordará esta configuración.

Presione y suelte cualquier botón para encender y apagar la luz.

Este sistema de control NO está diseñado para "invertir" el sentido de rotación de las aspas del ventilador. Para invertir el sentido de rotación de las aspas del ventilador, presione el interruptor de sentido inverso ubicado en la parte superior de la caja del motor.

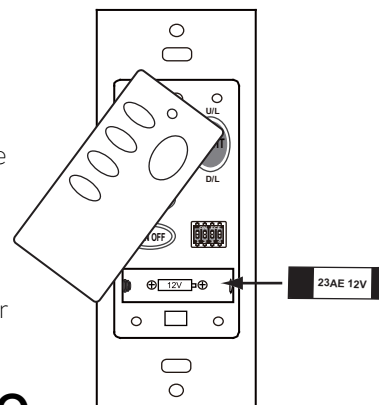


Fig. 20

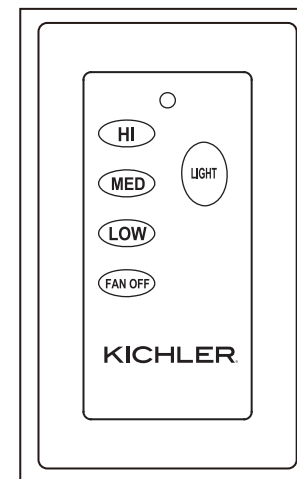


Fig. 21

## INSTALACIÓN DE LA PLACA DE PARED DEL SISTEMA DE CONTROL DE PARED DE FUNCIÓN BÁSICA

Seleccione un lugar para instalar la placa de pared y el transmisor del sistema de control de pared de función básica.

Instale la placa de pared utilizando una caja de distribución eléctrica de pared existente. Asegúrese de que el suministro eléctrico esté DESCONECTADO en el panel principal antes de continuar.

**Paso 1.** Retire la placa de pared existente y el antiguo interruptor de la caja de distribución de pared. Conecte con una tuerca las terminaciones de cables NEGROS (calientes) entre sí y vuelva a empujarlos al interior de la caja de distribución. (**Fig. 22**)

**Paso 2.** Instale la placa de pared en la caja de distribución eléctrica existente utilizando los tornillos proporcionados. (**Fig. 23**)

Después de haber instalado los anclajes de pared, acople la placa de pared con los tornillos de montaje para finalizar la instalación.

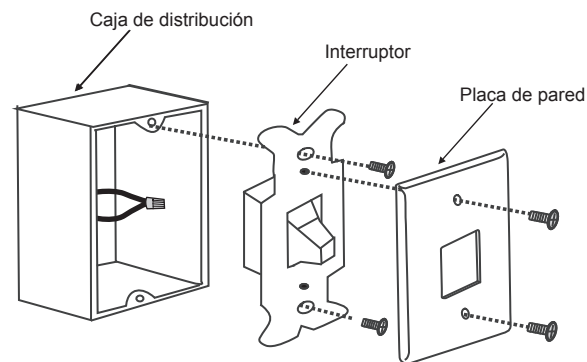


Fig. 22

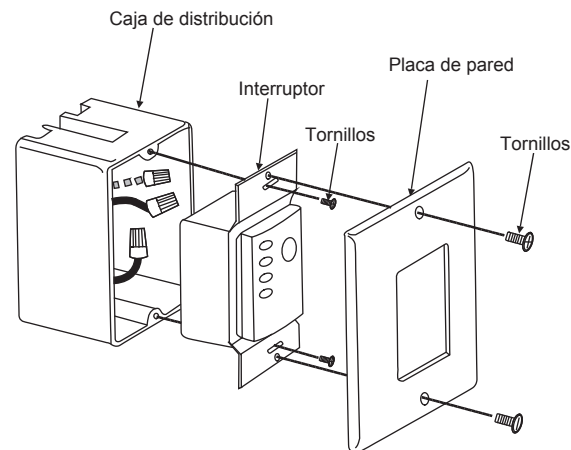


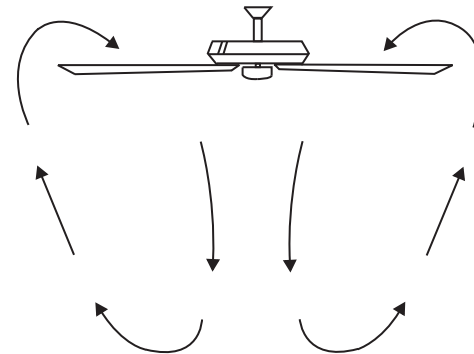
Fig. 23

## INSTRUCCIONES DE FUNCIONAMIENTO

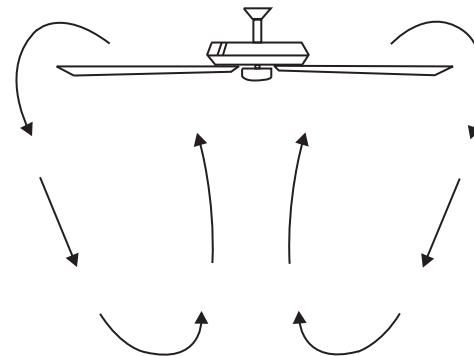
**NOTA:** Este sistema de control NO está diseñado para “invertir” el sentido de rotación de las aspas. Para invertir el sentido de rotación de las aspas del ventilador, presione el interruptor de sentido inverso ubicado en la parte superior de la caja del motor.

Clima cálido - Avance (sentido anti horario) Un flujo de aire descendente crea un efecto de enfriamiento tal como se muestra en la **Fig. 24**. Esto permite configurar su acondicionador de aire en casos de clima más cálido sin afectar su comodidad.

Clima frío - Sentido inverso (sentido horario) Un flujo de aire ascendente desplaza el aire caliente del área del cielorraso tal como se muestra en la **Fig. 25**. Esto permite configurar la calefacción en casos de clima más fresco sin afectar su comodidad.



**Fig. 24**



**Fig. 25**

# LOCALIZACIÓN Y RESOLUCIÓN DE PROBLEMAS

Problema	Solución
El ventilador no arranca.	<ol style="list-style-type: none"><li>1. Controle el funcionamiento de los fusibles de circuito o los disyuntores.</li><li>2. Verifique todas las conexiones eléctricas para asegurar el debido contacto.</li></ol> <p><b>PRECAUCIÓN:</b> Asegúrese de que la corriente principal esté DESCONECTADA al verificar cualquier conexión eléctrica</p>
El ventilador hace mucho ruido.	<ol style="list-style-type: none"><li>1. Asegúrese de que todos los tornillos de la caja del motor estén ajustados.</li><li>2. Asegúrese de que los tornillos que sujetan los soportes de las aspas del ventilador al motor estén ajustados.</li><li>3. Asegúrese de que las conexiones empalmadas con conectores no se rocen entre sí o contra la pared interna de la caja de interruptores.</li></ol> <p><b>PRECAUCIÓN:</b> Asegúrese de que la corriente principal esté desconectada.</p> <ol style="list-style-type: none"><li>4. Se requiere un lapso de “adaptación” de 24 horas. La mayoría de los ruidos asociados con un nuevo ventilador desaparecen en este lapso.</li><li>5. Si se utiliza un kit de iluminación opcional, asegúrese de que los tornillos que sujetan las piezas de vidrio estén ajustados. Asegúrese de que las bombillas de luz no estén tocando ningún otro componente.</li><li>6. No conecte el ventilador a un control o controles de velocidad variable de pared. No son compatibles con los motores de los ventiladores de techo o los controles remotos.</li><li>7. Asegúrese de que la cubierta superior esté cerca del techo. No debe tocar el techo.</li></ol>
El ventilador tambalea.	<ol style="list-style-type: none"><li>1. Verifique que todos los tornillos de las aspas y de los brazos de las aspas estén ajustados.</li><li>2. La mayoría de los problemas de tambaleo de los ventiladores son provocados por la desigualdad de los niveles de las aspas. Verifique este nivel seleccionando un punto en el techo por encima del extremo de una de las aspas. Mida esta distancia. Haga girar el ventilador hasta posicionar la siguiente aspa para su medición. Repita con cada aspa. La desviación de la distancia debe ser igual dentro de 1/8 de pulgada.</li><li>3. Si el tambaleo de las aspas aún puede apreciarse, el intercambio de dos aspas adyacentes (una junto a la otra) permite redistribuir el peso y posiblemente resulte en un mejor funcionamiento.</li></ol>
Mal funcionamiento del control remoto.	<ol style="list-style-type: none"><li>1. Los ventiladores de techo con sistemas de control remoto <b>NO PUEDEN</b> operarse junto con ningún otro sistema de control <b>SALVO</b> un interruptor básico de encendido/apagado de pared, si así se desea.</li></ol>

## Información de la FCC:

Este dispositivo cumple con la parte 15 de las Reglas de la FCC. La operación es sujeta a las dos condiciones siguientes:

- 1) Este dispositivo no puede causar interferencia dañina, y
- 2) Este dispositivo debe aceptar cualquier interferencia recibida, incluyendo interferencias que puedan causar un funcionamiento no deseado.

Nota: Este equipo ha sido probado y cumple con los límites para un dispositivo digital de Clase B, de acuerdo con la parte 15 de las Reglas de la FCC. Estos límites están diseñados para proveer protección razonable contra interferencias dañinas en una instalación residencial. Este equipo genera, utiliza y puede irradiar energía de radiofrecuencia y, si no se instala y utiliza de acuerdo con las instrucciones, puede causar interferencias en las comunicaciones por radio. Sin embargo, no hay garantía que no se produzcan interferencias en una instalación en particular. Si este equipo causa interferencia perjudicial a la recepción de radio o televisión, que puede determinarse encender y apagar el equipo, se recomienda al usuario que intente corregir la interferencia mediante una o más de las siguientes medidas:

- Reorientar o reubicar la antena receptora.
- Aumente la separación entre el equipo y el receptor.
- Conecte el equipo a una toma de corriente en un circuito distinto al que está conectado el receptor.
- Consulte al distribuidor o a un técnico de radio / TV experimentado para obtener ayuda.

# KICHLER®

[www.kichler.com](http://www.kichler.com)

**KICHLER® LIGHTING**

**7711 EAST PLEASANT VALLEY ROAD P.O. BOX 318010**

**CLEVELAND, OHIO 44131-8010**

**SERVICIO DE ATENCIÓN AL CLIENTE 866.558.5706**

**8:30 AM A 5:00 PM HORA DEL ESTE, DE LUNES A VIERNES**