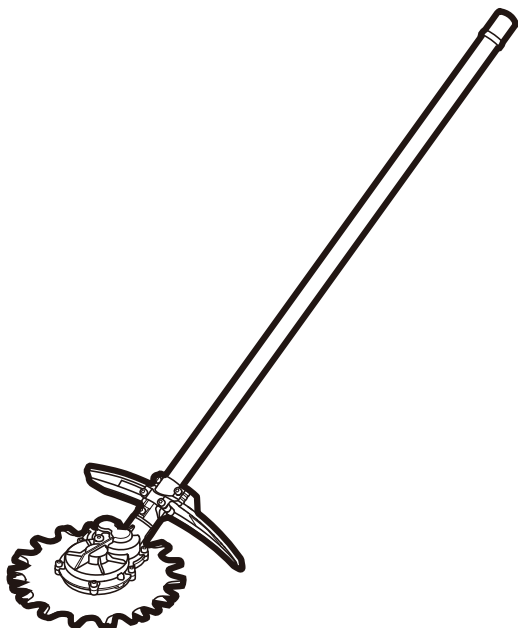


# EGO™

POWER<sup>+</sup> MULTI-HEAD SYSTEM™



OPERATOR'S MANUAL

## ROTOCUT ATTACHMENT

MODEL NUMBER RTA2320/RTA2320-FC

Français p. 27

Español p. 55

**⚠ WARNING:** To reduce the risk of injury, the user must read and understand the Operator's Manual before using this product. Save these instructions for future reference.

# READ ALL INSTRUCTIONS!



READ & UNDERSTAND  
OPERATOR'S MANUAL

## TABLE OF CONTENTS

Safety Symbols .....	3
General Machine Safety Instructions .....	4-7
Important Safety Instructions .....	7-8
Symbols .....	9-10
Introduction .....	11
Specifications .....	11
Description .....	12-13
Assembly .....	14-17
Operation .....	18-19
Maintenance .....	20-22
Troubleshooting .....	23
EGO Limited Warranty .....	24-25

# SAFETY SYMBOLS

The purpose of safety symbols is to attract your attention to possible dangers. The safety symbols and the explanations with them deserve your careful attention and understanding. The symbol warnings do not, by themselves, eliminate any danger. The instructions and warnings they give are no substitutes for proper accident prevention measures.

**⚠ WARNING** Be sure to read and understand all safety instructions in this Operator’s Manual, including all safety alert symbols such as “**DANGER**”, “**WARNING**”, and “**CAUTION**” before using this machine. Failure to follow all instructions listed below may result in electric shock, fire, and/or serious personal injury.

The definitions below describe the level of severity for each signal word. Please read the manual and pay attention to these symbols.

	<p>This is the safety alert symbol. It is used to alert you to potential personal injury hazards. Obey all safety messages that follow this symbol to avoid possible injury or death.</p>
	<p>DANGER indicates a hazardous situation which, if not avoided, will result in death or serious injury.</p>
	<p>WARNING indicates a hazardous situation which, if not avoided, could result in death or serious injury.</p>
	<p>CAUTION, used with the safety alert symbol, indicates a hazardous situation which, if not avoided, will result in minor or moderate injury.</p>

## DAMAGE PREVENTION AND INFORMATION MESSAGES

These inform the user of important information and/or instructions that could lead to equipment or other property damage if they are not followed. Each message is preceded by the word “NOTICE”, as in the example below:

**NOTICE** Equipment and/or property damage may result if these instructions are not followed.

# GENERAL MACHINE SAFETY INSTRUCTIONS

**⚠ WARNING** Read all safety warnings, instructions, illustrations, and specifications provided with this machine. Failure to follow all instructions listed below may result in electric shock, fire, and/or serious injury.

## Save all warnings and instructions for future reference.

The term “machine” in the warnings refers to your mains-operated (corded) machine or battery-operated (cordless) machine.

## Work Area Safety

- **Keep work area clean and well lit.** Cluttered or dark areas invite accidents.
- **Do not operate machines in explosive atmospheres, such as in the presence of flammable liquids, gases or dust.** Machines create sparks which may ignite the dust or fumes.
- **Keep children and bystanders away while operating a machine.** Distractions can cause you to lose control.

## Electrical Safety

- **Machine plugs must match the outlet. Never modify the plug in any way. Do not use any adapter plugs with earthed (grounded) machines.** Unmodified plugs and matching outlets will reduce risk of electric shock.
- **Avoid body contact with earthed or grounded surfaces, such as pipes, radiators, ranges, and refrigerators.** There is an increased risk of electric shock if your body is earthed or grounded.
- **Do not operate the machine in rain or wet conditions.** Water entering the machine may increase the risk of electric shock or malfunction that could result in personal injury.
- **Do not abuse the cord. Never use the cord for carrying, pulling, or unplugging the machine. Keep cord away from heat, oil, sharp edges, or moving parts.** Damaged or entangled cords increase the risk of electric shock.
- **When operating a machine outdoors, use an extension cord suitable for outdoor use.** Use of a cord suitable for outdoor use reduces the risk of electric shock.
- **If operating a machine in a damp location is unavoidable, use a ground fault circuit interrupter (GFCI) protected supply.** Use of a GFCI reduces the risk of electric shock.

## Personal Safety

- **Stay alert, watch what you are doing and use common sense when operating a machine. Do not use a machine while you are tired or under the influence of drugs, alcohol, or medication.** A moment of inattention while operating machines may result in serious personal injury.
- **Use personal protective equipment.** Always wear eye protection. Protective equipment such as a dust mask, non-skid safety shoes, hard hat, or hearing protection used for appropriate conditions will reduce personal injuries.
- **Prevent unintentional starting. Ensure the switch is in the off-position before connecting to the power source and/or the battery pack, picking up or carrying the machine.** Carrying machines with your finger on the switch or energizing machines that have the switch on invites accidents.
- **Remove any adjusting key or wrench before turning the machine on.** A wrench or a key left attached to a moving part of the machine may result in personal injury.
- **Do not overreach. Keep proper footing and balance at all times.** This enables better control of the machine in unexpected situations
- **Dress properly. Do not wear loose clothing or jewelry. Keep your hair and clothing away from moving parts.** Loose clothes, jewelry, or long hair can be caught in moving parts.
- **If devices are provided for the connection of dust extraction and collection facilities, ensure these are connected and properly used.** Use of dust devices can reduce dust-related hazards.
- **Do not let familiarity gained from frequent use of machines allow you to become complacent and ignore machine safety principles.** A careless action can cause severe injury within a fraction of a second.

## Machine Use and Care

- **Do not force the machine. Use the correct machine for your application.** The correct machine will do the job better and safer at the rate for which it was designed.
- **Do not use the machine if the switch does not turn it on and off.** Any machine that cannot be controlled with the switch is dangerous and must be repaired.
- **Disconnect the plug from the power source and/or remove the battery pack, if detachable, from the machine before making any adjustments, changing accessories, or storing machines.** Such preventive safety measures reduce the risk of starting the machine accidentally.

- **Store idle machines out of the reach of children and do not allow persons unfamiliar with the machine or these instructions to operate the machine.** Machines are dangerous in the hands of untrained users.
- **Maintain machines and accessories. Check for misalignment or binding of moving parts, breakage of parts and any other condition that may affect the machine's operation. If damaged, have the machine repaired before use.** Many accidents are caused by poorly maintained machines.
- **Keep cutting machines sharp and clean.** Properly maintained cutting machines with sharp cutting edges are less likely to bind and are easier to control.
- **Use the power machine, accessories, machine bits, etc. in accordance with these instructions, taking into account the working conditions and the work to be performed.** Use of the machine for operations different from those intended could result in a hazardous situation.
- **Keep handles and grasping surfaces dry, clean and free from oil and grease.** Slippery handles and grasping surfaces do not allow for safe handling and control of the machine in unexpected situations.

## Battery Machine Use and Care

- **Recharge only with the charger specified in the by the manufacturer.** A charger that is suitable for one type of battery pack may create a risk of fire when used with another battery pack.
- **Use machines only with specifically designated battery packs.** Use of any other battery packs may create a risk of injury and fire.
- **When battery pack is not in use, keep it away from other metal objects, like paper clips, coins, keys, nails, screws, or other small metal objects, that can make a connection from one terminal to another.** Shorting the battery terminals together may cause burns or a fire.
- **Under abusive conditions, liquid may be ejected from the battery; avoid contact. If contact accidentally occurs, flush with water.** If liquid contacts eyes, additionally seek medical help. Liquid ejected from the battery may cause irritation or burns.
- **Do not use a battery pack or machine that is damaged or modified.** Damaged or modified batteries may exhibit unpredictable behavior resulting in fire, explosion or risk of injury.
- **Do not expose a battery pack or machine to fire or excessive temperature.** Exposure to fire or temperature above 265°F (130°C) may cause explosion.

- **Follow all charging instructions and do not charge the battery pack or machine outside the temperature range specified in the instructions.** Charging improperly or at temperatures outside the specified range may damage the battery and increase the risk of fire.

## Service

- **Have your machine serviced by a qualified repair person using only identical replacement parts.** This will ensure that the safety of the machine is maintained.
- **Never service damaged battery packs.** Service of battery packs should only be performed by the manufacturer or authorized service providers.

# IMPORTANT SAFETY INSTRUCTIONS

- **Avoid Dangerous Environments** – Don't use appliances on damp or wet slopes.
- **Keep guards in place and in working order.**
- **Keep hands and feet away from the cutting area.**
- **To reduce the risk of injury, never work on a ladder or on any other insecure support. Never hold the cutting unit above waist height.**
- **Check the cutting unit at regular short intervals during operation, or immediately if there is a noticeable change in cutting behavior.**
- **For best results, your battery should be charged in a location where the temperature is greater than 41°F (5°C) and less than 104°F (40°C).** Do not store it outside or in vehicles.
- **If you are approached, stop the motor and cutting unit.**
- **Warn the operator of the danger of blade thrust.**
- Blade thrust may occur when the spinning blade contacts an object that it does not immediately cut.
- Blade thrust can be violent enough to cause the unit and/or operator to be propelled in any direction, and possibly lose control of the unit.
- Blade thrust can occur without warning if the blade snags, stalls, or binds.
- Blade thrust is more likely to occur in areas where it is difficult to see the material being cut.

- **Do not attach any blade to a unit without proper installation of all required parts. Failure to use the proper parts can cause the blade to fly off and seriously injure the operator and/or bystanders. Discard blades that are bent, warped, cracked, broken, or damaged in any way. Use a sharp blade. A dull blade is more likely to snag and thrust.**
- **A coasting blade/line can cause injury while it continues to spin after the motor is stopped or trigger is released. Maintain proper control until the blade/line has completely stopped rotating.**
- **Battery machines do not have to be plugged into an electrical outlet; therefore, they are always in operating condition.** Be aware of possible hazards even when the machine is not operating. Use caution when performing maintenance or service.
- **Do not wash with a hose; avoid getting water in motor and electrical connections.**
- **If situations occur that are not covered in this manual, exercise caution and good judgment. Contact EGO customer service for assistance.**





**NOTE: SEE YOUR POWER HEAD OPERATOR'S MANUAL FOR ADDITIONAL SPECIFIC SAFETY RULES.**

**SAVE THESE INSTRUCTIONS!**

# SYMBOLS

This page depicts and describes symbols that may appear on this product. Read, understand, and follow all instructions on the product before attempting to assemble and operate.

	Safety Alert	Precautions that involve your safety
	Read & Understand Operator's Manual	To reduce the risk of injury, user must read and understand operator's manual before using this product.
	Wear Eye Protection	Always wear safety goggles or safety glasses with side shields and a full-face shield when operating this product.
	Wear Ear Protection	Always wear sound barriers (ear plugs or ear muffers) to protect your hearing.
	Wear Head Protection	Wear an approved safety hard hat to protect your head.
	Wear Hand Protection	Protect your hands with gloves when handling brush cutter and its blade. Heavy-duty, non-slip gloves improve your grip and protect your hands.
	Wear Slip-resistant Footwear	Wear non-slip safety footwear when using this equipment.
	Beware of Blade Thrust	Warn the operator of the danger of blade thrust.

	Disconnect Battery Before Maintenance	Alerts user to disconnect battery before maintenance.
	Beware of Thrown Objects	Thrown objects can ricochet and result in personal injury or property damage.
	The distance between the machine and bystanders shall be at least 50 feet (15 m)	Ensure that other people and pets remain at least 50 feet (15 m) away from the brush cutter when it is in use.
IP...	Ingress Protection (IP) Rating	Classifies the degree of protection provided by an enclosure on electrical equipment.
V	Volt	Voltage
mm	Millimeter	Length or size
cm	Centimeter	Length or size
in.	Inch	Length or size
kg	Kilogram	Weight
lb	Pound	Weight
	Direct Current	Type or a characteristic of current
RPM	Revolutions per minute	Rotational speed
°C	Degrees Celsius	Temperature
°F	Degrees Fahrenheit	Temperature

## INTRODUCTION

Congratulations on your selection of the 56V Lithium-ion EGO ROTOCUT ATTACHMENT. It has been designed, engineered and manufactured to give you the best possible dependability and performance.

Should you experience any problem you cannot easily remedy, please contact **EGO customer service 1-855-EGO-5656**.

This manual contains important information on to the safe assembly, operation and maintenance of your product. Read it carefully before using the product. Keep this manual handy so you can refer to it at any time.

SERIAL NUMBER \_\_\_\_\_ DATE OF PURCHASE \_\_\_\_\_  
YOU SHOULD RECORD BOTH SERIAL NUMBER AND DATE OF PURCHASE AND KEEP THEM IN A SAFE PLACE FOR FUTURE REFERENCE

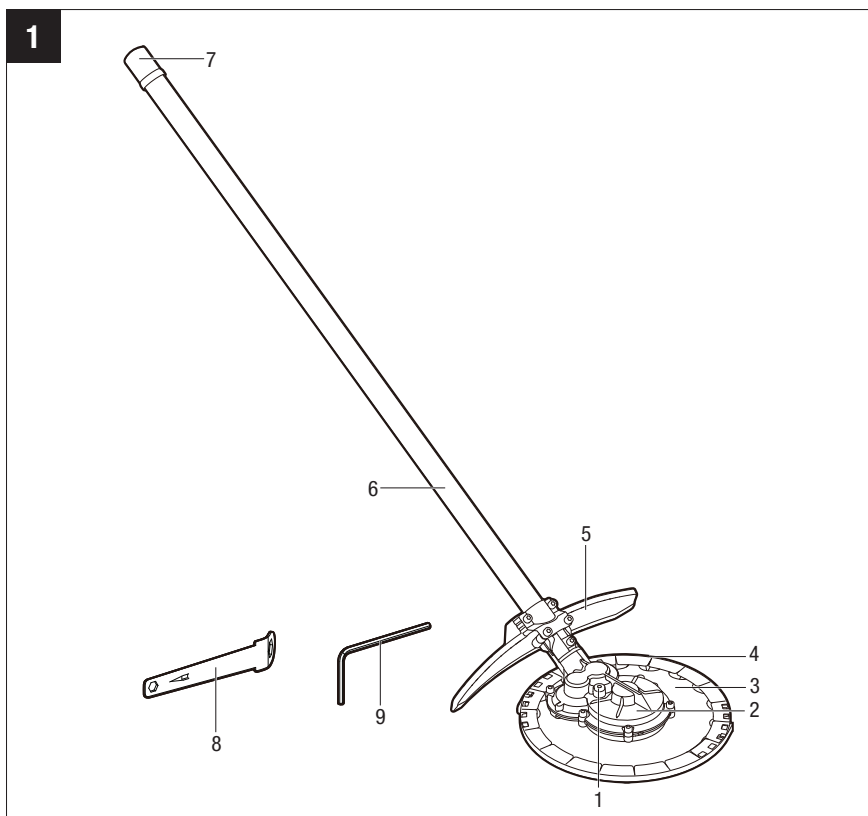
## SPECIFICATIONS

Blade Size	9 in. (23 cm)
Cutting Speed	Max 450 RPM
Max Cutting Depth	1.3 in. (3.4 cm)
Recommended Operating Temperature	32°F–104°F (0°C–40°C)
Recommended Storage Temperature	-4°F–158°F (-20°C–70°C)
Weight	4.4 lb (2 kg)
Ingress Protection Rating	IPX4* (Protection from splashing water)

\* **NOTE:** IPX4 rating is based on the machine and battery being used together as a system.

## DESCRIPTION

### KNOW YOUR ROTOCUT ATTACHMENT (Fig. 1)



- |                           |              |
|---------------------------|--------------|
| 1. Sealing Screw          | 6. Shaft     |
| 2. Gear Case              | 7. End Cap   |
| 3. Blade                  | 8. Wrench    |
| 4. Sliding Cover Assembly | 9. Allen Key |
| 5. Guard Assembly         |              |

**⚠ WARNING** Never operate the machine without the guard firmly in place. Operating the machine without its guard will lead to serious injury.

### **END CAP**

Protects shaft from the intrusion of dirt and debris when not in use.

### **GUARD ASSEMBLY**

Reduces the risk of injury from foreign objects flung backwards toward the operator.

### **ALLEN KEY**

To assemble the plastic guard.

### **WRENCH**

To replace the blade.

## ASSEMBLY

**⚠ WARNING** If any parts are damaged or missing, do not operate this product until the parts are replaced. Use of this product with damaged or missing parts could result in serious personal injury.

**⚠ WARNING** Do not attempt to modify this product or create accessories not recommended for use with this product. Any such alteration or modification is misuse and could result in a hazardous condition leading to possible serious personal injury.

**⚠ WARNING** Always wear heavy-duty gloves when installing or removing the blade or doing any maintenance on the blade. Be careful of the blade and protect your hands from being injured by the blade.

**⚠ WARNING** Do not connect to power head until assembly is complete. Failure to comply could result in accidental starting and possible serious personal injury.

## UNPACKING

- This product requires assembly.
- Carefully remove the product and any accessories from the box. Make sure that all items listed in the packing list are included.

**⚠ WARNING** Do not use this product if any parts on the packing list are already assembled to your product when you unpack it. Parts on this list are not assembled to the product by the manufacturer and require customer installation. Use of a product that may have been improperly assembled could result in serious personal injury.

- Inspect the machine carefully to make sure that no breakage or damage occurred during shipping.
- Do not discard the packing material until you have carefully inspected and satisfactorily operated the machine.
- If any parts are damaged or missing, please return the product to the place of purchase.

## PACKING LIST

PART NAME	QUANTITY
Rotocut Attachment	1
Guard (with screws)	1
Allen Key	1
Wrench	1
Operator's Manual	1

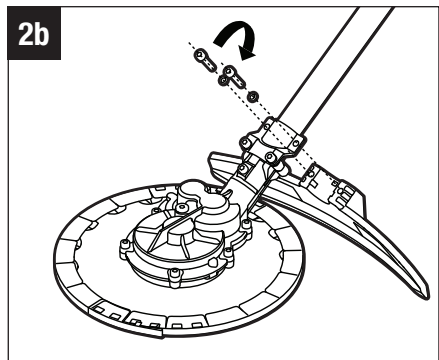
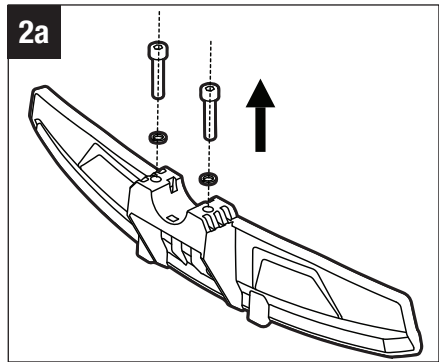
## MOUNTING THE GUARD

**⚠ WARNING** Always wear heavy-duty gloves when mounting or replacing the guard. Take care of the blade on the guard and protect your hand from cutting.

**⚠ WARNING** Never operate the machine without the guard firmly in place. The guard must always be on the machine to protect the user! After the guard is properly mounted, never attempt to remove or adjust the guard. If a replacement is needed, it should be performed by a qualified service technician!

1. Loosen and remove the two screws from the guard with the supplied Allen key (Fig. 2a).
2. Align the guard mounting holes with the assembly holes and then lock the guard onto the shaft base with the two screws and two spring washers (Fig. 2b).

**⚠ WARNING** Make sure the guard is mounted according to Fig. 2a & 2b. Any improper mounting of the guard or removal of the guard will cause great danger!



## CONNECTING THE ATTACHMENT TO THE POWER HEAD

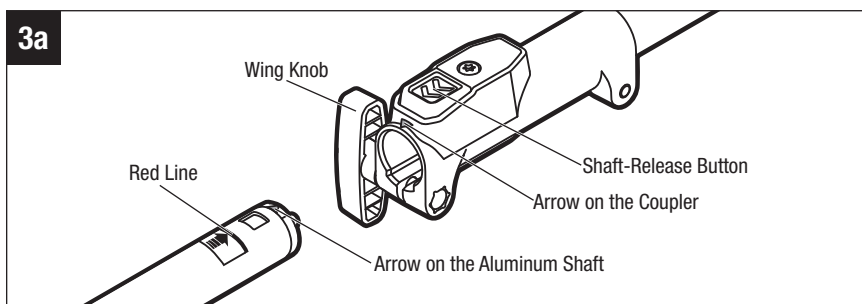
**⚠ WARNING** Never attach or adjust any attachment while the power head is running or with the battery installed. Failure to stop the motor and remove the battery may cause serious personal injury.

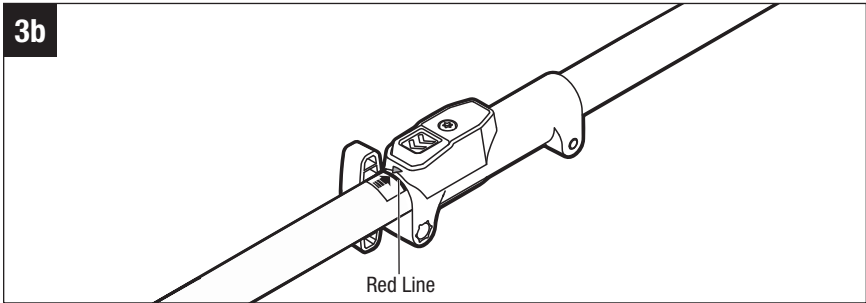
This rotocut attachment is designed for use with EGO Power Head PH1400/PH1400-FC/PH1420/PH1420-FC/PHX1600/PHX1600-FC.

The rotocut attachment connects to the power head by means of a coupler device.

1. Stop the motor and remove the battery pack.
2. Loosen the wing knob on the power head coupler.
3. If the end cap is on the attachment shaft, remove it and save it in a safe place for later use. Align the arrow on the attachment shaft with the arrow on the coupler (Fig. 3a) and push the attachment shaft into the coupler until you hear a clear “CLICK” sound. The coupler should be positioned so that the RED LINE labeled on the shaft is flush with the coupler edge (Fig. 3b).
4. Pull on the shaft of the attachment to verify it is securely locked into the coupler. If not, rotate the attachment shaft from side to side in the coupler until a clear “CLICK” sound indicates that it is engaged.
5. Tighten the wing knob securely.

**⚠ WARNING** Be certain the wing knob is fully tightened before operating equipment; check it periodically for tightness during use to avoid serious personal injury.



**3b**

### To remove the attachment from the power head

1. Stop the motor and remove the battery pack.
2. Loosen the wing knob.
3. Press the shaft-release button and with the button depressed, pull or twist the attachment shaft out of the coupler.

## OPERATION

**⚠ WARNING** Do not allow familiarity with this product to make you careless. Remember that a careless fraction of a second is sufficient to inflict serious injury.

**⚠ WARNING** Always wear safety goggles or safety glasses with side shields marked to comply with ANSI Z87.1. Failure to do so could result in objects being thrown into your eyes and other possible serious injuries.

**⚠ WARNING** To prevent serious personal injury, remove the battery pack from the machine before servicing, cleaning, changing attachments, or removing material from the unit.

**⚠ WARNING** Do not use any attachments or accessories not recommended by the manufacturer of this product. The use of attachments or accessories not recommended can result in serious personal injury.

Before each use, inspect the entire product for damaged, missing, or loose parts such as screws, nuts, bolts, caps, etc. Tighten securely all fasteners and caps and do not operate this product until all missing or damaged parts are replaced.

## APPLICATIONS

You may use this machine for the purpose listed below:

- Cutting grass around stakes, guard rails, wall edges, road curbs, and fences.
- Trimming vegetation in parking lots.

**NOTICE** To reduce the risk of injury, never work without the guard.

## USING THE ROTOCUT ATTACHMENT WITH POWER HEAD

**⚠ WARNING** Dress properly to reduce the risk of injury when operating this machine. Do not wear loose clothing or jewelry. Wear eye and ear/hearing protection. Wear heavy, long pants, boots, and heavy-duty gloves. Do not wear short pants or sandals or go barefoot. Wear a face mask or dust mask in dusty locations.

Maintain your grip and balance on both feet (Fig.4).

Throwing materials may seriously injure the operator or bystander. To reduce the risk of personal injury, it is essential to take the following precautions:

- Clear the area to be cut before each use. Remove all objects, such as rocks, broken glass, nails, wire, or line, that can be thrown or become entangled in the cutting attachment.
- Clear the area of children, bystanders, and pets. At a minimum, keep all children, bystanders and pets at least 50 feet (15 m) away.
- Always hold the machine with both hands when operating. Use a firm grip on both handles.
- Move the machine to the work area before starting and start at a lower speed.
- To reduce the risk of injury from loss of control, guide the machine in a narrow path from side to side.



## Before each use check for damaged/worn parts

Check the rotocut attachment, guard, front-assist handle, and drive axle and replace any parts that are cracked, warped, bent, or damaged in any way.

## Clean the rotocut attachment after each use

See the “**MAINTENANCE**” section for cleaning instructions.

**⚠ WARNING** Ensure the rotocut attachment has come to a complete stop and that the battery is removed before cleaning or servicing. Not following these steps could result in possible serious personal injury.

## STARTING/STOPPING THE MACHINE

See “**STARTING/STOPPING THE POWER HEAD**” section in the power head PH1400/PH1400-FC/PH1420/PH1420-FC/PHX1600/PHX1600-FC operator’s manual.

## MAINTENANCE

**⚠ WARNING** When servicing, use only identical replacement parts. Use of any other parts may create a hazard or cause product damage. To ensure safety and reliability, all repairs should be performed by a qualified service technician.

**⚠ WARNING** Battery machines do not have to be plugged into an electrical outlet; therefore, they are always in operating condition. To prevent serious personal injury, take extra precautions and care when performing maintenance, service, or when changing the cutting attachment or other attachments.

**⚠ WARNING** To prevent serious personal injury, remove the battery pack from the power head before servicing, cleaning, changing add-on attachments, or when the machine is not in use.

### GENERAL MAINTENANCE

Avoid using solvents when cleaning plastic parts. Most plastics are susceptible to damage from various types of commercial solvents and may be damaged by their use. Use clean cloths to remove dirt, dust, oil, grease, etc.

**⚠ WARNING** Do not at any time let brake fluids, gasoline, petroleum-based products, penetrating oils, etc., come in contact with plastic parts. Chemicals can damage, weaken, or destroy plastic, which may result in serious personal injury.

**⚠ WARNING** When cleaning the rotocut attachment, DO NOT immerse it in water or other liquids.

### CLEANING THE UNIT

- Remove the battery.
- Use only mild soap and a damp cloth to clean the tool. Never let any liquid get inside the tool; never immerse any part of the tool in a liquid.
- Keep the air vents in the motor housing free from debris at all times.

All service, other than the actions listed in these maintenance instructions, should be performed by a qualified service technician.

## REPLACING THE BLADE

**⚠ WARNING** Do not attempt to straighten or weld a bent or cracked blade. A bent, cracked, or otherwise damaged blade may break and it must be replaced. Replace it only with an identical EGO roto-cut attachment blade.

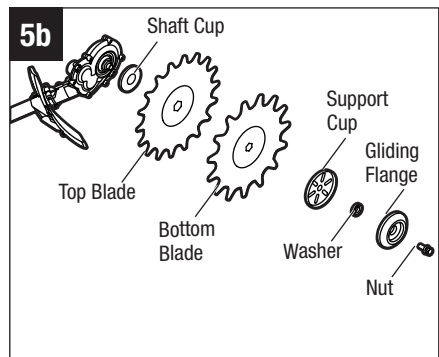
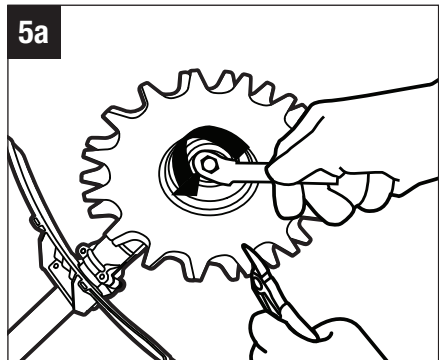
**⚠ WARNING** If the blade becomes loose after it is fixed in position, or the blade is badly worn, replace the blade immediately. Never use a tool with a loose or ineffective cutting attachment.

**⚠ WARNING** Always protect your hands by wearing heavy-duty gloves.

**⚠ WARNING** Do not attach any attachment to a unit without proper installation of all required parts. Failure to use the proper parts may cause the working tool to fly off and seriously injure the operator or bystanders.

### To remove

1. Wear heavy-duty protective gloves.
2. Place the gear case of the ROTOCUT head against a solid surface. Clamp the top and bottom blades with pliers or in a vise, then use the wrench provided to loosen the nut (Fig. 5a).
3. Remove the nut, gliding flange, washer, support cup, bottom blade, top blade, and shaft cup in sequence, as shown in Fig. 5b.



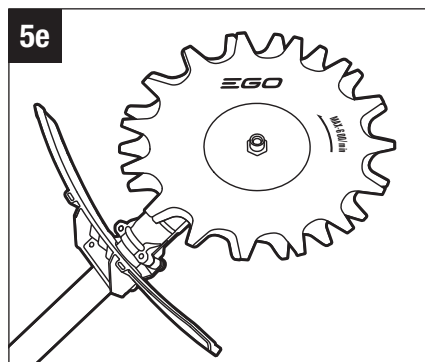
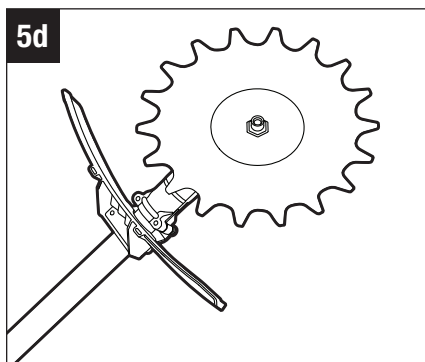
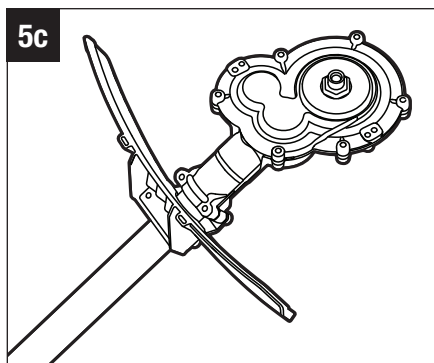
### To install

1. Wear heavy-duty protective gloves.
2. Place the shaft cup on the shaft (Fig. 5c).
3. Place the top blade with the big hexagonal hole onto the shaft with the surface printed “EGO” logo facing toward the gear case (Fig. 5d).

4. Place the bottom blade with the small hexagonal hole onto the shaft with the surface printed “EGO” logo facing away from the gear case (Fig. 5e).

**NOTE:** Make sure the hexagonal holes on the blades and hexagonal shaft shoulder fit in place. If the blades are mounted in the incorrect order, the rotocut attachment will not function properly, and the blades will get damaged.

5. Follow the sequence shown in Fig. 5b to assemble the support cup, washer, gliding flange, and nut onto the shaft. Use the provided wrench to securely tighten the nut.



## STORING THE UNIT

- Remove the battery pack from the machine.
- Clean the machine thoroughly before storing it.
- Remove the rotocut attachment from the power head and cover the attachment shaft with the end cap to avoid dirt getting into the coupling.
- Store the unit in a dry, well-ventilated area, out of the reach of children. Do not store the unit on or adjacent to fertilizers, gasoline, or other chemicals.

# TROUBLESHOOTING

PROBLEM	CAUSE	SOLUTION
<p>Motor fails to start.</p>	<ul style="list-style-type: none"> <li>■ The battery pack is not properly attached to the power head.</li> <li>■ No electrical contact between the power head and the battery pack.</li> <li>■ The battery pack is depleted.</li> <li>■ The lock-off lever and trigger of the power head are not depressed simultaneously.</li> <li>■ The motor still will not start beyond the reasons listed above.</li> </ul>	<ul style="list-style-type: none"> <li>■ Attach the battery pack to the power head and ensure it snaps into place.</li> <li>■ Remove the battery, check contacts, and reinstall the battery pack until it snaps into place.</li> <li>■ Charge the battery pack with EGO chargers listed in power head operator's manual.</li> <li>■ Press the lock-off lever and hold it, then depress the trigger to start the motor.</li> <li>■ Contact EGO customer service.</li> </ul>
<p>Power head stops during operation.</p>	<ul style="list-style-type: none"> <li>■ The motor is overloaded.</li> <li>■ The battery pack or the power head is too hot.</li> </ul>	<ul style="list-style-type: none"> <li>■ The motor will recover when the load is removed. For continuous operation, decrease the load on the power head by decreasing the amount you are cutting at a time, especially when dealing with thick grass/vegetation.</li> <li>■ Allow the battery pack or power head to cool until the temperature drops below 152°F (67 °C).</li> </ul>



# EGO LIMITED WARRANTY

## WARRANTY POLICY TERMS AND DURATION

Chervon North America, Inc. ("Chervon North America, Naperville, IL 60563") provides the following Limited Warranty for EGO products to the original purchaser of EGO products.

The detailed warranty period for each EGO product can be found online at <http://egopowerplus.com/warranty-policy>.

**Please contact EGO Customer Service Toll-Free at 1-855-EGO-5656** any time you have questions or warranty claims.

## LIMITED SERVICE WARRANTY

EGO products are warranted against defects in material or workmanship from the date of original retail purchase for the applicable warranty period. For any properly and timely submitted warranty claim, if Chervon North America determines a product to be defective during the warranty period, the product will receive free repair or replacement as determined by Chervon North America.

## HOW TO OBTAIN SERVICE

For warranty service, within the applicable warranty period, please contact EGO customer service toll-free at **1-855-EGO-5656**. When requesting warranty service, you must present the original dated sales receipt. An authorized service center will be selected to evaluate and repair the product if defective according to the stated warranty terms. When bringing your product to the authorized service center, there may be a small deposit that will be required when dropping off your tool. This deposit is refundable when the repair service is deemed to be covered under warranty. The purchaser is responsible for transportation of any outdoor power equipment or attachments at their expense.

## ADDITIONAL LIMITATIONS & EXCLUSIONS

This limited warranty applies only to the original purchaser from an authorized EGO retailer and is not transferable. EGO products shall not be considered defective, and this warranty will not apply, where the claimed defect is attributable to any cause other than the above-defined defects. This warranty shall be void if the product has been used for rental purposes. This warranty shall not apply to damage caused by accident, abuse, misuse, alteration, modification, unauthorized repair, liquid contact, fire, earthquake or other external cause; operating the product outside EGO's instructions, specifications or guidelines; or failure to properly service or maintain the product. This warranty also does not apply to cosmetic damage, including but not limited to scratches or dents; defects caused by normal wear and tear or otherwise due to the normal aging of the product.

THIS EXPRESS WARRANTY IS GIVEN IN LIEU OF ALL OTHER WARRANTIES, EXPRESS OR IMPLIED, INCLUDING, BUT NOT LIMITED TO, ANY WARRANTIES OF MERCHANTABILITY OR FITNESS FOR PARTICULAR PURPOSE OR USE, WHICH ARE DISCLAIMED. Any implied warranties, including warranties of merchantability or fitness for a particular purpose, that cannot be disclaimed under state law are limited to the applicable warranty period defined at the beginning of this article. The sole and exclusive remedy in connection with the purchase, installation, use, and/or performance of the EGO products is repair or replacement of the product as determined by Chervon North America. Chervon North America's maximum liability shall not in any case exceed the purchase price paid for the product. CHERVON NORTH AMERICA SHALL NOT BE LIABLE TO THE USER OR TO ANYONE ELSE FOR CONSEQUENTIAL, INCIDENTAL, SPECIAL, EXEMPLARY, INDIRECT, OR PUNITIVE DAMAGES ARISING FROM USE OF THE PRODUCTS, INCLUDING BUT NOT LIMITED TO PERSONAL INJURY, DEATH, PROPERTY DAMAGE, LOST PROFITS, OR OTHER ECONOMIC INJURY. This warranty gives you specific legal rights, and you may also have other rights which vary from state to state. Some states do not allow limitations on how long an implied warranty lasts, the exclusion or limitation of incidental or consequential damages, or the limitations on time to bring certain actions, so such limitations contained herein do not apply to individual consumers in those states.

This warranty is subject to and shall be interpreted according to Michigan law without regard to principles of conflicts of laws. No legal action shall be brought against Chervon North America unless filed within one (1) year after the basis for such legal action becomes known, or with the exercise of reasonable diligence should have become known. Any action not timely filed shall be deemed waived.

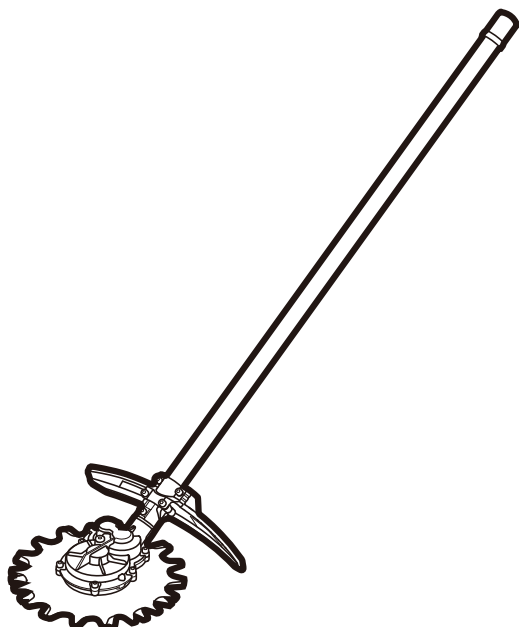
For customer service contact us toll-free at: **1-855-EGO-5656** or **EGOPOWERPLUS.COM**.

EGO Customer Service  
769 Seward Ave. NW, Suite 102  
Grand Rapids, Michigan 49504.



# EGO™

POWER<sup>+</sup> MULTI-HEAD SYSTEM™



MODE D'EMPLOI

## ATTACHEMENT ROTOCUT

NUMÉRO DE MODÈLE RTA2320/RTA2320-FC

**⚠ AVERTISSEMENT :** Afin de réduire les risques de blessure, l'utilisateur doit lire et comprendre le guide d'utilisation avant d'utiliser ce produit. Conservez le présent guide afin de pouvoir le consulter ultérieurement.

# LISEZ TOUTES LES INSTRUCTIONS !



LISEZ LE MODE D'EMPLOI, ET ASSUREZ-VOUS  
QUE VOUS LE COMPRENEZ.

## TABLE DES MATIÈRES

Symboles relatifs à la sécurité .....	29
Consignes générales de sécurité pour la machine .....	30-34
Consignes de sécurité importantes .....	34-35
Symboles .....	36-37
Introduction .....	38
Spécifications .....	38
Description .....	39-40
Assemblage .....	41-44
Fonctionnement .....	45-47
Entretien .....	47-50
Recherche de la cause des problèmes .....	51
Garantie limitée EGO .....	52-54

# SYMBOLES RELATIFS À LA SÉCURITÉ

Les symboles relatifs à la sécurité ont pour but d'attirer votre attention sur les dangers possibles. Les symboles relatifs à la sécurité et les explications qui les accompagnent méritent votre attention, et il est important que vous les connaissiez. Les symboles d'avertissement n'éliminent pas à eux seuls tous les dangers. Les instructions et les avertissements qu'ils donnent ne remplacent pas les mesures appropriées de prévention des accidents.

**⚠ AVERTISSEMENT** Veuillez à lire et assurez-vous que vous comprenez toutes les consignes de sécurité contenues dans ce mode d'emploi, y compris tous les symboles d'alertes relatives à la sécurité tels que « **DANGER** », « **AVERTISSEMENT** » et « **MISE EN GARDE** », avant d'utiliser cette machine. La non-observation de toutes les instructions figurant ci-après pourrait causer un choc électrique, un incendie et/ou des blessures graves.

Les définitions ci-dessous décrivent le niveau de gravité de chaque mot indicateur. Veuillez lire le mode d'emploi et prêter attention à ces symboles.	
	Il s'agit du symbole d'alerte relative à la sécurité. Il est utilisé pour vous avertir des risques de blessures. Respectez tous les messages relatifs à la sécurité qui suivent ce symbole afin d'éviter tout risque de blessure – ou même d'accident mortel.
	<b>DANGER</b> indique une situation dangereuse qui, si elle n'est pas évitée, causera la mort d'une personne ou une blessure grave.
	<b>AVERTISSEMENT</b> indique une situation dangereuse qui, si elle n'est pas évitée, pourrait causer la mort d'une personne ou une blessure grave.
	<b>MISE EN GARDE</b> , conjointement avec le symbole d'alerte en liaison avec la sécurité, indique une situation dangereuse qui, si elle n'est pas évitée, causera une blessure légère ou modérée.

## MESSAGES D'INFORMATIONS ET PRÉVENTION DES DOMMAGES

Ils communiquent à l'utilisateur des informations et/ou des instructions importantes qui, si elles ne sont pas respectées, pourraient endommager l'équipement ou causer d'autres dommages matériels. Chaque message est précédé du mot « **AVIS** », comme dans l'exemple ci-dessous :

**AVIS** Le non-respect de ces instructions peut entraîner des dommages matériels et/ou des dommages à l'équipement.

# INSTRUCTIONS GÉNÉRALES DE SÉCURITÉ POUR LA MACHINE

**⚠ AVERTISSEMENT** Lisez tous les avertissements relatifs à la sécurité, ainsi que toutes les instructions, les illustrations et les spécifications accompagnant cette machine. Le non-respect de toutes les instructions figurant ci-après pourrait causer un choc électrique, un incendie et/ou des blessures graves.

**Conservez tous les avertissements et toutes les instructions pour pouvoir vous y référer ultérieurement.**

Le terme « machine » dans les avertissements fait référence à votre machine fonctionnant sur le secteur (avec fil) ou avec des piles (sans fil).

## Sécurité sur le lieu de travail

- **Maintenez la zone de travail propre et bien éclairée.** Les zones encombrées ou sombres sont propices aux accidents.
- **Ne faites pas fonctionner les machines dans des atmosphères explosives, par exemple en présence de liquides, de gaz ou de poussières inflammables.** Les machines produisent des étincelles qui peuvent enflammer les poussières ou les fumées.
- **Tenez les enfants et les autres personnes présentes à l'écart lorsque vous utilisez une machine.** Les distractions peuvent vous faire perdre le contrôle.

## Sécurité électrique

- **Les fiches de la machine doivent correspondre à la prise de courant. Ne modifiez jamais la fiche de quelque manière que ce soit. N'utilisez pas de fiches munies d'adaptateurs avec des machines mises à la terre.** Des fiches non modifiées et des prises de courant correspondantes réduisent le risque de choc électrique.
- **Évitez tout contact du corps avec des surfaces mises à la terre ou à la masse, telles que les tuyaux, les radiateurs, les cuisinières et les réfrigérateurs.** Le risque de choc électrique est accru si votre corps est mis à la terre ou à la masse.
- **N'utilisez pas la machine sous la pluie ou dans des conditions humides.**

La pénétration d'eau dans la machine peut augmenter le risque de choc électrique ou de dysfonctionnement pouvant entraîner des blessures.

- **Ne forcez pas le cordon. N'utilisez jamais le cordon pour porter, tirer ou débrancher la machine. Tenez le cordon à l'écart de la chaleur, de l'huile, des bords tranchants et des pièces mobiles.** Les cordons endommagés ou emmêlés augmentent le risque de choc électrique.
- **Lorsque vous utilisez une machine à l'extérieur, employez une rallonge électrique adaptée à son utilisation à l'extérieur.** L'utilisation d'un cordon adapté à une utilisation à l'extérieur réduit le risque de choc électrique.
- **Si l'utilisation d'une machine dans un endroit humide est inévitable, utilisez une alimentation protégée par un disjoncteur de fuite à la terre (GFCI).** L'utilisation d'un disjoncteur de fuite à la terre réduit le risque de choc électrique.

## Sécurité personnelle

- **Restez vigilant(e), regardez ce que vous faites et faites preuve de bon sens lorsque vous utilisez une machine. N'utilisez pas une machine si vous êtes fatigué(e) ou sous l'influence de drogues, d'alcool ou de médicaments.** Un simple moment d'inattention lors de l'utilisation des machines peut entraîner des blessures graves.
- **Utilisez des équipements de protection individuelle.** Portez toujours des équipements de protection des yeux. Les équipements de protection tels qu'un masque anti-poussière, des chaussures de sécurité antidérapantes, un casque ou une protection auditive, utilisés dans des conditions appropriées, réduiront les blessures.
- **Prévenez les démarrages intempestifs. Assurez-vous que l'interrupteur est en position d'arrêt avant de brancher la machine dans une source d'alimentation et/ou de brancher le bloc-piles, ou de saisir ou de transporter la machine.** Le fait de porter des machines avec le doigt sur l'interrupteur ou de mettre sous tension des machines dont l'interrupteur est enclenché est une source d'accidents.
- **Retirez toute clé de réglage ou clé à molette avant de mettre la machine en marche.** Une clé laissée sur une partie mobile de la machine pourrait causer des blessures.
- **Ne vous penchez pas trop au-dessus de la machine. Garder un bon équilibre sur vos pieds à tout moment.** Ceci permet de mieux contrôler la machine dans des situations inattendues.

- **Habillez-vous de façon appropriée. Ne portez pas de vêtements amples ou de bijoux. Tenez vos cheveux et vos vêtements à l'écart des pièces mobiles.** Les vêtements amples, les bijoux ou les cheveux longs peuvent être attrapés dans des pièces en mouvement.
- **Si des dispositifs sont fournis pour le raccordement d'installations d'extraction et de collecte des poussières, veillez à ce qu'ils soient raccordés et utilisés correctement.** L'utilisation de dispositifs anti-poussière peut réduire les risques liés à la poussière.
- **Ne laissez pas la familiarité acquise par l'utilisation fréquente des machines vous permettre de devenir complaisant(e) et d'ignorer les principes de sécurité des machines.** Un geste imprudent pourrait entraîner des blessures graves en une fraction de seconde.

## Utilisation et entretien de la machine

- **Ne forcez pas la machine. Utilisez la machine appropriée pour votre application.** La bonne machine fera un meilleur travail de manière plus sûre, au rythme pour lequel elle a été conçue.
- **N'utilisez pas la machine si l'interrupteur ne permet pas de la mettre sous tension/hors tension.** Toute machine qui ne peut être contrôlée par l'interrupteur est dangereuse et doit être réparée.
- **Débranchez la fiche de la source d'alimentation et/ou retirez le bloc-piles, s'il est détachable, de la machine avant d'effectuer des réglages, de changer d'accessoires ou de ranger les machines.** De telles mesures de sécurité préventives réduisent le risque de démarrage accidentel de la machine.
- **Conservez les machines à l'arrêt hors de portée des enfants et ne permettez pas à des personnes ne connaissant pas la machine ou ces instructions d'utiliser la machine.** Les machines sont dangereuses entre les mains d'utilisateurs n'ayant pas reçu la formation nécessaire à leur utilisation.
- **Entretenez les machines et les accessoires. Vérifiez que les pièces mobiles ne sont pas mal alignées ou coincées, qu'aucune pièce n'est cassée et que rien n'est susceptible d'affecter le fonctionnement de la machine. Si elle est endommagée, faites-la réparer avant de recommencer à l'utiliser.** De nombreux accidents sont causés par des machines mal entretenues.
- **Gardez les machines de coupe affûtées et propres.** Les machines de coupe correctement entretenues et dotées de tranchants bien affûtés sont moins susceptibles de se coincer et sont plus faciles à contrôler.

- **Utilisez la machine électrique, les accessoires, les embouts, etc. conformément à ces instructions, en tenant compte des conditions de travail et des tâches à effectuer.** L'utilisation de la machine pour des opérations différentes de celles pour lesquelles elle est conçue pourrait entraîner une situation dangereuse.
- **Maintenez les poignées et les surfaces de préhension sèches, propres et exemptes d'huile et de graisse.** Les poignées et les surfaces de préhension glissantes ne permettent pas de manier et de contrôler la machine en toute sécurité dans des situations inattendues.

## Utilisation et entretien des machines alimentées par des piles

- **Rechargez uniquement avec le chargeur spécifié par le fabricant.** Un chargeur adapté à un type de bloc-piles peut présenter un risque d'incendie quand il est utilisé avec un autre bloc-piles.
- **N'utilisez les machines qu'avec des blocs-piles spécialement désignés à cet effet.** L'utilisation d'autres blocs-piles pourrait entraîner des risques de blessures et d'incendie.
- **Lorsque le bloc-piles n'est pas utilisé, il faut le tenir à l'écart d'autres objets métalliques, comme des trombones, des pièces de monnaie, des clés, des clous, des vis ou d'autres petits objets métalliques, qui peuvent faire une connexion entre une borne et l'autre.** La mise en court-circuit des bornes de la pile pourrait provoquer des brûlures ou un incendie.
- **Dans des conditions abusives, du liquide peut être éjecté de la pile ; évitez tout contact. En cas de contact accidentel, rincez avec de l'eau.** En cas de contact de liquide avec les yeux, consultez un médecin de toute urgence. Du liquide éjecté de la pile pourrait provoquer des irritations ou des brûlures.
- **N'utilisez pas un bloc-piles ou une machine endommagé(e) ou modifié(e).** Les piles endommagées ou modifiées peuvent avoir un comportement imprévisible et causer un incendie, une explosion ou une blessure.
- **N'exposez pas un bloc-piles ou une machine au feu ou à une température excessive.** L'exposition au feu ou à une température supérieure à 130 °C / 265 °F peut provoquer une explosion.
- **Suivez toutes les instructions de charge, et ne chargez pas le bloc-piles ou la machine en dehors de la plage de température spécifiée dans les instructions.** Une charge incorrecte ou à des températures en dehors de la plage spécifiée peut endommager la pile et augmenter le risque d'incendie.

## Service après-vente

- **Faites réparer votre machine par un réparateur qualifié en utilisant uniquement des pièces de rechange identiques.** Ceci permet de garantir la sécurité de la machine.
- **Ne tentez jamais de réparer un bloc-piles endommagé.** La réparation des blocs-piles ne doit être effectuée que par le fabricant ou des prestataires de services agréés.

## CONSIGNES DE SÉCURITÉ IMPORTANTES

- **Évitez les environnements dangereux** – N'utilisez pas cette machine sur des pentes humides ou mouillées.
- **Maintenez les dispositifs de protection en place et en bon état de fonctionnement.**
- **Gardez les mains et les pieds à une distance suffisante de la zone de coupe.**
- **Pour réduire le risque de blessures, ne travaillez jamais sur une échelle ou sur tout autre support non sécurisé. Ne tenez jamais l'outil de coupe au-dessus du niveau de la taille.**
- **Contrôlez l'outil de coupe à intervalles réguliers et brefs pendant le fonctionnement, ou immédiatement en cas de changement notable du comportement de la coupe.**
- **Pour obtenir les meilleurs résultats possibles, votre pile doit être chargée dans un endroit où la température est supérieure à 5 °C / 41 °F et inférieure à 40 °C / 104 °F.** Ne la rangez pas à l'extérieur ou dans un véhicule.
- **Si quelqu'un s'approche de vous, arrêtez le moteur et l'outil de coupe.**
- **L'opérateur doit être conscient du risque de rebond de la lame.**
- Le rebond de la lame peut se produire lorsque la lame en rotation entre en contact avec un objet qu'elle ne coupe pas immédiatement.
- Le rebond de la lame peut être suffisamment violent pour propulser l'outil et/ou l'opérateur dans n'importe quelle direction, et éventuellement pour lui faire perdre le contrôle de l'outil.

- Un rebond de la lame peut se produire sans avertissement si la lame s'accroche, cale ou se coince.
- Un rebond de la lame est plus susceptible de se produire dans les zones où il est difficile de voir le matériau à couper.
- **N'attachez pas de lame sur une machine sans que toutes les pièces requises aient été correctement installées. Si vous n'utilisez pas les pièces appropriées, la lame risque de s'envoler et de blesser grièvement l'utilisateur et/ou les personnes se trouvant à proximité. Jetez les lames qui sont tordues, déformées, fissurées, cassées ou endommagées de quelque manière que ce soit. Utilisez une lame bien aiguisée. Une lame émoussée est plus susceptible de s'accrocher et de rebondir.**
- **Une lame/ligne en roue libre peut provoquer des blessures quand elle continue à tourner après l'arrêt du moteur ou le relâchement de la gâchette. Maintenez un contrôle adéquat jusqu'à ce que la lame/ligne ait complètement cessé de tourner.**
- **Les machines alimentées par des piles n'ont pas besoin d'être branchées sur une prise de courant ; elles sont donc toujours en état de marche.** Soyez conscient(e) des risques possibles, même lorsque la machine n'est pas en train de fonctionner. Faites preuve de prudence lors de l'entretien ou de la maintenance.
- **Ne lavez pas avec un tuyau flexible ; évitez que de l'eau ne pénètre dans le moteur et les connexions électriques.**
- **Si des situations non couvertes par ce mode d'emploi se présentent, il convient de faire preuve de prudence et de discernement. Contactez le service à la clientèle d'EGO pour obtenir de l'assistance.**



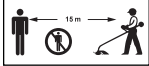

**REMARQUE : CONSULTEZ LE MODE D'EMPLOI DE VOTRE BLOC MOTEUR POUR APPRENDRE DES CONSIGNES DE SÉCURITÉ SPÉCIFIQUES SUPPLÉMENTAIRES.**

**CONSERVEZ CES INSTRUCTIONS !**

## SYMBOLES

Cette page présente et décrit les symboles qui peuvent apparaître sur ce produit. Lisez, assurez-vous que vous comprenez et suivez toutes les instructions figurant sur le produit avant d'essayer de l'assembler et de le faire fonctionner.

	Alerte relative à la sécurité	Précautions pour votre sécurité
	Lisez le mode d'emploi, et assurez-vous que vous le comprenez.	Pour réduire le risque de blessure, l'utilisateur doit lire le mode d'emploi et s'assurer qu'il le comprend avant de commencer à utiliser ce produit.
	Portez des lunettes de sécurité.	Portez toujours des lunettes de protection ou des lunettes de sécurité avec des écrans latéraux et un masque couvrant tout le visage lorsque vous utilisez ce produit.
	Portez un dispositif de protection des oreilles.	Portez toujours des barrières acoustiques (bouchons d'oreilles ou cache-oreilles) pour protéger votre audition.
	Portez un casque.	Portez un casque de sécurité homologué pour protéger votre tête.
	Portez des gants.	Protégez vos mains avec des gants lorsque vous manipulez la débroussailleuse et sa lame. Des gants robustes et antidérapants améliorent votre préhension et protègent vos mains.
	Portez des chaussures antidérapantes.	Portez des chaussures de sécurité antidérapantes lorsque vous utilisez cet équipement.
	Faites attention au risque de rebond de la lame.	L'opérateur doit être conscient du risque de rebond de la lame.

	Débranchez la pile avant toute opération d'entretien.	Alerte l'utilisateur pour qu'il déconnecte la pile avant une opération d'entretien.
	Faites attention aux objets projetés.	Les objets projetés peuvent ricocher et causer des blessures ou des dégâts matériels.
	La distance entre la machine et les personnes présentes doit être d'au moins 15 m / 50 pi.	Assurez-vous que les autres personnes et les animaux de compagnie restent à au moins 15 m / 50 pi de la débroussailleuse pendant qu'elle est en train de fonctionner.
IP...	Indice de protection (IP)	Classifie le degré de protection fourni par une enceinte pour le matériel électrique.
V	Volts	Tension
mm	Millimètre	Longueur ou taille
cm	Centimètre	Longueur ou taille
po	po	Longueur ou taille
kg	Kilogramme	Poids
lb	lb	Poids
	Courant continu	Type ou caractéristique du courant
tr/mn	Tours par minute	Vitesse de rotation
°C	Degrés Celsius	Température
°F	Degrés Fahrenheit	Température

## INTRODUCTION

Félicitations pour votre sélection de l'ATTACHEMENT EGO ROTOCUT au Lithium-ion de 56 V. Elle a été conçue, développée et fabriquée pour vous donner le plus possible de fiabilité et les meilleures performances possibles.

Si vous rencontrez un problème auquel vous ne pouvez pas remédier facilement, veuillez contacter le **service à la clientèle d'EGO au 1-855-EGO-5656**.

Ce mode d'emploi contient des informations importantes sur l'assemblage, l'utilisation et l'entretien de votre produit en toute sécurité. Lisez-le attentivement avant d'utiliser le produit. Conservez ce mode d'emploi à portée de main afin de pouvoir vous y référer à tout moment.

NUMÉRO DE SÉRIE    DATE D'ACHAT \_\_\_\_\_

VEUILLEZ ENREGISTRER LE NUMÉRO DE SÉRIE ET LA DATE D'ACHAT, ET LES CONSERVER DANS UN ENDROIT SÛR POUR TOUTE RÉFÉRENCE ULTÉRIEURE.

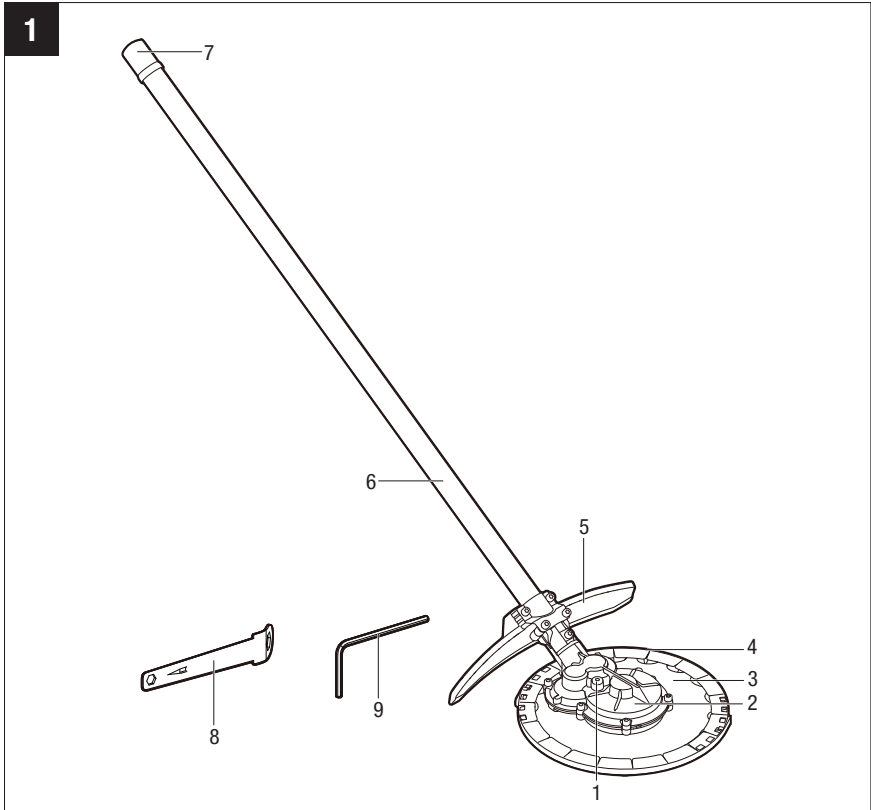
## SPÉCIFICATIONS

Taille de la lame	23 cm / 9 po
Vitesse de coupe	Max. 450 tr/min
Profondeur de coupe max.	3,4 cm / 1,3 po
Température de fonctionnement recommandée	0 °C–40 °C / 32 °F–104 °F
Température de stockage recommandée	-20 °C–70 °C / -4 °F–158 °F
Poids	2 kg / 4,4 lb
Indice de protection	IPX4* (Protection contre les éclaboussures d'eau)

\* **REMARQUE** : L'indice IPX4 est basé sur l'utilisation conjointe de la machine et du bloc-piles en tant que système.

# DESCRIPTION

FAMILIARISEZ-VOUS AVEC VOTRE ATTACHEMENT ROTOCUT (Fig. 1)



- |   |                         |
|---|-------------------------|
| 1. Vis de couverture                    | 6. Arbre                |
| 2. Boîte de vitesses                    | 7. Capuchon d'extrémité |
| 3. Lame                                 | 8. Clé                  |
| 4. Ensemble de cache coulissant         | 9. Clé Allen            |
| 5. Ensemble de dispositif de protection |                         |

**⚠ AVERTISSEMENT** N'utilisez jamais la machine sans que le dispositif de protection ne soit fermement en place. L'utilisation de la machine sans son dispositif de protection causera des blessures graves.

## **CAPUCHON D'EXTRÉMITÉ**

Protège l'arbre contre l'intrusion de saletés et de débris quand il n'est pas utilisé.

## **ENSEMBLE DE DISPOSITIF DE PROTECTION**

Réduit le risque de blessures causées par des corps étrangers projetés vers l'arrière, en direction de l'opérateur.

## **CLÉ ALLEN**

Pour assembler le dispositif de protection en plastique.

## **CLÉ**

Remplacement de la lame.

## ASSEMBLAGE

**⚠ AVERTISSEMENT** Si certaines pièces sont endommagées ou manquantes, n'utilisez pas ce produit avant que ces pièces aient été remplacées. L'utilisation de ce produit avec des pièces endommagées ou manquantes pourrait causer des blessures graves.

**⚠ AVERTISSEMENT** Ne tentez pas de modifier ce produit ou de créer des accessoires qu'il n'est pas recommandé d'utiliser avec ce produit. Une telle altération ou modification constituerait une utilisation abusive et pourrait créer une situation dangereuse avec risque de blessures graves.

**⚠ AVERTISSEMENT** Portez toujours des gants résistants lorsque vous installez ou retirez la lame ou lorsque vous effectuez des opérations d'entretien sur la lame. Faites attention à la lame, et protégez-vous les mains pour qu'elles ne risquent pas d'être blessées par la lame.

**⚠ AVERTISSEMENT** Ne branchez pas dans le bloc moteur avant d'avoir terminé l'assemblage. Si vous ne respectez pas cet avertissement, vous risqueriez de causer un démarrage accidentel pouvant entraîner des blessures graves.

## DÉBALLAGE

- Ce produit nécessite un assemblage.
- Retirez le produit et tous les accessoires de la boîte en prenant les précautions nécessaires. Assurez-vous que tous les articles indiqués sur la liste des pièces sont inclus.

**⚠ AVERTISSEMENT** N'utilisez pas ce produit si de quelconques pièces figurant sur la liste des pièces sont déjà montées sur votre produit lorsque vous le sortez de son emballage. Les pièces figurant sur cette liste ne sont pas montées sur le produit par le fabricant. Elles nécessitent une installation par le client. L'utilisation d'un produit pouvant avoir été assemblé de façon incorrecte pourrait causer des blessures graves.

- Inspectez attentivement la machine pour vous assurer qu'aucun dommage ou bris de pièce(s) ne s'est produit pendant le transport.
- Ne jetez pas les matériaux d'emballage avant d'avoir inspecté attentivement la machine et de l'avoir mise en marche de façon satisfaisante.
- Si une pièce quelconque est endommagée ou manquante, veuillez rapporter le produit dans le magasin où vous l'avez acheté.

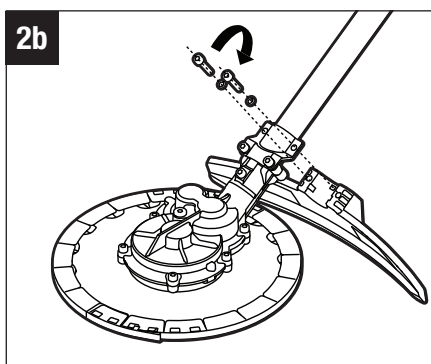
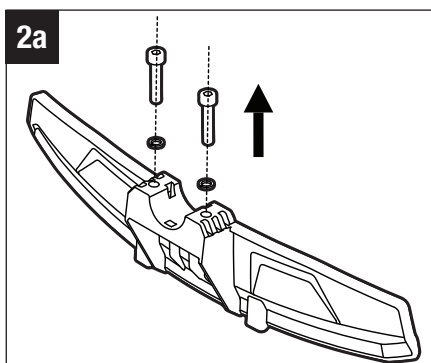
## LISTE DES PIÈCES

NOM DE LA PIÈCE	QUANTITÉ
Attachement Rotocut	1
Dispositif de protection (avec vis)	1
Clé Allen	1
Clé	1
Mode d'emploi	1

### MONTAGE DU DISPOSITIF DE PROTECTION

**⚠ AVERTISSEMENT** Portez toujours des gants résistants lorsque vous montez ou remplacez le dispositif de protection. Prenez soin de la lame sur le dispositif de protection et faites en sorte que votre main ne soit pas exposée à une coupe.

**⚠ AVERTISSEMENT** N'utilisez jamais la machine sans que le dispositif de protection ne soit fermement en place. Le dispositif de protection doit toujours être installé sur la machine afin d'assurer la sécurité de l'opérateur ! Une fois que le dispositif de protection est correctement monté, n'essayez jamais de le retirer ou de l'ajuster. Si un remplacement est nécessaire, il doit être effectué par un technicien qualifié !



1. Desserrez et retirez les deux vis du dispositif de protection à l'aide de la clé Allen fournie (Fig. 2a).
2. Alignez les trous de montage du dispositif de protection sur les trous d'assemblage, puis verrouillez le dispositif de protection sur la base de l'arbre à l'aide des deux vis et des deux rondelles à ressort (Fig. 2b).

**⚠ AVERTISSEMENT** Assurez-vous que le dispositif de protection est monté conformément aux Fig. 2a & 2b. Tout montage ou démontage incorrect du dispositif de protection entraînera un danger grave !

## CONNEXION DE L'ATTACHEMENT AVEC LE BLOC MOTEUR

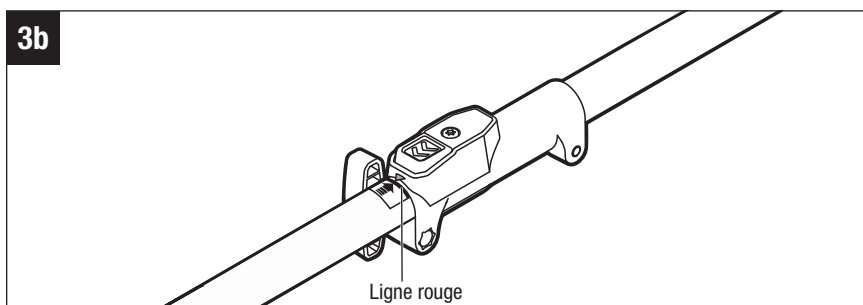
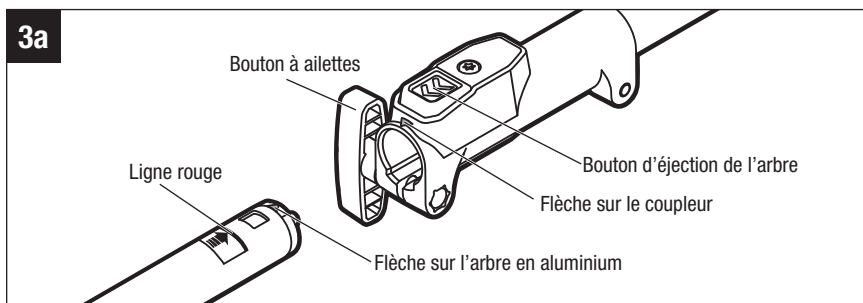
**⚠ AVERTISSEMENT** Ne fixez ou ne réglez jamais un attachement lorsque le bloc moteur est en marche ou lorsque la pile est installée. Si vous n'arrêtez pas le moteur et ne retirez pas la pile, vous risquez de vous blesser grièvement.

Cet attachement rotocut est conçu pour être utilisé uniquement avec un bloc moteur EGO PH1400/PH1400-FC/ PH1420/PH1420-FC/PHX1600/PHX1600-FC.

L'attachement rotocut est relié au bloc moteur au moyen d'un dispositif de couplage.

1. Arrêtez le moteur et retirez le bloc-piles.
2. Desserrez le bouton à ailettes du coupleur du bloc moteur.
3. Si le capuchon d'extrémité est sur l'arbre de l'attachement, retirez-le et conservez-le dans un endroit sûr en vue d'une utilisation ultérieure. Alignez la flèche de l'arbre de l'attachement sur la flèche du coupleur (Fig. 3a), et poussez l'arbre de l'attachement dans le coupleur jusqu'à ce que vous entendiez clairement un déclic. Le coupleur doit être positionné de telle sorte que la ligne rouge inscrite sur l'arbre soit au même niveau que le bord du coupleur (Fig. 3b).
4. Tirez sur l'arbre de l'attachement pour vérifier qu'il est bien verrouillé dans le coupleur. Si ce n'est pas le cas, faites tourner l'arbre d'un côté à l'autre dans le coupleur jusqu'à ce qu'un déclic clair indique qu'il est bien engagé.
5. Serrez à fond le bouton à ailettes.

**⚠ AVERTISSEMENT** Assurez-vous que le bouton à ailettes est serré à fond avant de mettre l'équipement en marche ; vérifiez-le de temps en temps pour vous assurer qu'il est bien serré pendant l'utilisation pour éviter tout risque de blessure grave.



## Retrait de l'attacheement du bloc moteur

1. Arrêtez le moteur et retirez le bloc-piles.
2. Desserrez le bouton à ailettes.
3. Appuyez sur le bouton d'éjection de l'arbre et, avec le bouton enfoncé, tirez ou tournez l'attacheement pour le faire sortir du coupleur.

## FONCTIONNEMENT

**⚠ AVERTISSEMENT** Ne laissez pas l'habitude de l'utilisation de ce produit vous empêcher de prendre toutes les précautions requises. N'oubliez jamais qu'une fraction de seconde d'inattention suffit pour entraîner de graves blessures.

**⚠ AVERTISSEMENT** Utilisez toujours des lunettes de sécurité ou des lunettes de protection avec des écrans latéraux indiquant qu'elles sont conformes à la norme ANSI Z87.1. Si vous ne portez pas un tel dispositif de protection, vous pourriez subir des blessures graves, y compris en conséquence de la projection d'objets dans vos yeux..

**⚠ AVERTISSEMENT** Pour éviter tout risque de blessure grave, retirez le bloc-piles de la machine avant de la réparer ou de la nettoyer, de changer des composants ou de retirer des déchets de l'équipement.

**⚠ AVERTISSEMENT** N'utilisez pas d'attachements ou d'accessoires qui ne sont pas recommandés par le fabricant de ce produit. L'utilisation d'attachements ou d'accessoires qui ne sont pas recommandés peut causer des blessures graves.

Avant chaque utilisation, inspectez l'intégralité du produit pour vous assurer qu'il n'y a pas de pièces endommagées, manquantes ou desserrées comme des vis, des écrous, des boulons, des capuchons, etc. Serrez à fond tous les dispositifs de fixation et capuchons, et ne vous servez pas de ce produit avant que toutes les pièces manquantes ou endommagées aient été remplacées.

## APPLICATIONS

Vous pouvez utiliser cette machine pour faire ce qui suit :

- Couper l'herbe autour des piquets, des rails de sécurité, des bords de mur, des bordures de route et des clôtures.
- Élaguer de la végétation dans les parcs de stationnement.

**AVIS** Pour réduire le risque de blessures, ne travaillez jamais sans le dispositif de protection.

## UTILISATION DE L'ATTACHEMENT ROTOCUT AVEC UN BLOC MOTEUR

**⚠ AVERTISSEMENT** Habillez-vous de façon appropriée pour réduire le risque de blessure lorsque vous utilisez cette machine. Ne portez pas de bijoux ou de vêtements amples. Portez des lunettes de sécurité et des protège-oreilles ou un autre

équipement de protection de l'ouïe. Portez des pantalons longs robustes, des bottes et des gants de travail. Ne portez pas de shorts ou de sandales, et n'utilisez pas cette machine en étant les pieds nus. Portez un masque facial ou un masque de protection contre la poussière dans les endroits poussiéreux.

Maintenez votre prise et équilibrez-vous sur les deux pieds (Fig.4).



La projection de matériaux pourrait blesser grièvement l'opérateur ou d'autres personnes présentes. Pour réduire le risque de blessure, il est essentiel de prendre les précautions suivantes :

- Dégagez la zone à couper avant chaque utilisation. Retirez tous les objets, tels que les pierres, le verre brisé, les clous, le fil de fer ou des morceaux de ligne qui pourraient être projetés ou s'emmêler dans l'attache de coupe.
- Assurez-vous qu'il n'y a pas d'enfants ou d'autres personnes, ou des animaux de compagnie, à proximité. Au minimum, gardez tous les enfants et les autres personnes, ainsi que les animaux de compagnie, à au moins 15 mètres / 50 pi de distance.
- Tenez toujours la machine des deux mains lorsque vous l'utilisez. Tenez fermement les deux poignées.
- Déplacez la machine vers la zone de travail avant de la faire démarrer, et commencez à travailler à une vitesse assez lente.
- Pour réduire le risque de blessures dues à une perte de contrôle, guidez la machine dans une trajectoire étroite d'un côté à l'autre.

## **Avant chaque utilisation, vérifiez qu'aucun composant n'est endommagé ou excessivement usé.**

Vérifiez l'attache rotocut, le dispositif de protection, la poignée d'assistance avant et l'essieu moteur, et remplacez toute pièce fissurée, déformée, tordue ou endommagée de quelque manière que ce soit.

## Nettoyez l'attachelement rotocut après chaque utilisation.

Voir la section intitulée « **ENTRETIEN** » pour les instructions de nettoyage.

**⚠ AVERTISSEMENT** Assurez-vous que l'attachelement rotocut s'est complètement arrêté et que la pile a été retirée avant de procéder au nettoyage ou à l'entretien. Le non-respect de ces instructions pourrait entraîner des blessures graves.

## MISE EN MARCHE/ARRÊT DE LA MACHINE

Voir la section intitulée « **MISE EN MARCHE/ARRÊT DU BLOC MOTEUR** » dans le mode d'emploi du bloc moteur PH1400/PH1400-FC/PH1420/PH1420-FC/PHX1600/PHX1600-FC.

## ENTRETIEN

**⚠ AVERTISSEMENT** Lors de toute réparation, n'utilisez que des pièces de rechange identiques. L'utilisation de toutes autres pièces de rechange pourrait créer un danger ou endommager le produit. Pour assurer la sécurité et la fiabilité, toutes les réparations doivent être effectuées par un technicien de service qualifié.

**⚠ AVERTISSEMENT** Les machines alimentées par des piles n'ont pas besoin d'être branchées dans une prise de courant ; elles sont donc toujours prêtes à fonctionner. Pour éviter des blessures graves, prenez des précautions et des mesures de protection supplémentaires lors de l'entretien, de la maintenance ou du remplacement de l'attachelement de coupe ou d'autres attachelements.

**⚠ AVERTISSEMENT** Pour éviter toute blessure grave, retirez le bloc-piles du bloc moteur avant de procéder à l'entretien, au nettoyage ou au changement d'attachelements complémentaires, ou lorsque la machine n'est pas utilisée.

## MAINTENANCE GÉNÉRALE

Évitez d'utiliser des solvants lorsque vous nettoyez des pièces en plastique. La plupart des plastiques sont susceptibles d'être endommagés par divers types de solvants commerciaux, et ils pourraient l'être si vous en utilisez. Utilisez des chiffons propres pour retirer les saletés, la poussière, l'huile, la graisse, etc.

**⚠ AVERTISSEMENT** Ne laissez jamais de liquide de frein, d'essence, de produits à base de pétrole, d'huiles pénétrantes, etc. entrer en contact avec des composants en plastique. Les produits chimiques peuvent endommager, affaiblir ou détruire le plastique, ce qui pourrait causer des blessures graves.

**⚠ AVERTISSEMENT** Lorsque vous nettoyez l'attache-ment rotocut, ne l'immergez PAS dans de l'eau ou dans d'autres liquides.

## NETTOYAGE DE L'ÉQUIPEMENT

- Retirez la pile.
- Utilisez uniquement du savon doux et un chiffon humide pour nettoyer l'outil. Ne laissez jamais un liquide pénétrer à l'intérieur de l'outil ; n'immergez jamais une partie de l'outil dans un liquide.
- Veillez à ce que les orifices d'aération du carter du moteur soient toujours exempts de débris.

Toutes les interventions de maintenance autres que celles qui sont mentionnées dans les présentes instructions d'entretien doivent être effectuées par un technicien qualifié.

## REPLACEMENT DE LA LAME

**⚠ AVERTISSEMENT** N'essayez pas de redresser ou de souder une lame courbée ou fissurée. Une lame tordue, fissurée ou autrement endommagée pourrait se briser et doit donc être remplacée. Remplacez-la uniquement par une lame identique de l'attache-ment rotocut EGO.

**⚠ AVERTISSEMENT** Si la lame se détache après avoir été sécurisée, ou si la lame est très usée, remplacez-la immédiatement. N'utilisez jamais un outil dont l'attache-ment de coupe est desserré ou inefficace.

**⚠ AVERTISSEMENT** Protégez toujours vos mains en portant des gants résistants.

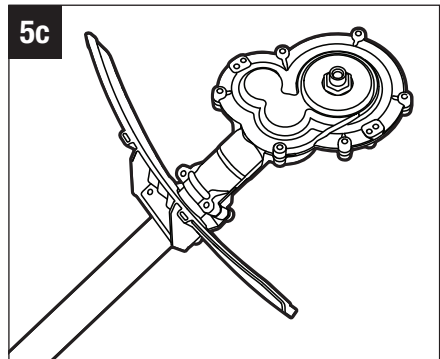
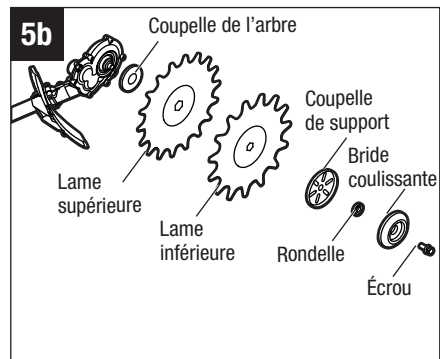
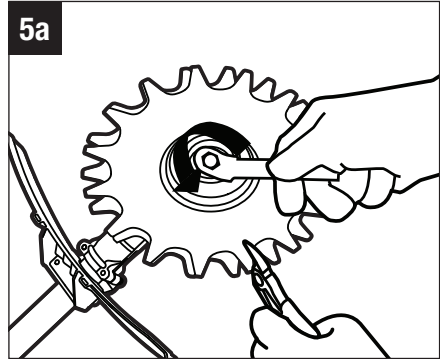
**⚠ AVERTISSEMENT** Ne fixez aucun attache-ment à un appareil sans avoir installé correctement toutes les pièces nécessaires. Si vous n'utilisez pas les pièces appropriées, l'outil de travail risque de s'envoler et de blesser gravement l'opérateur ou des personnes se trouvant à proximité.

## Retrait

1. Portez des gants de protection résistants.
2. Placez le carter d'engrenages du bloc moteur ROTOCUT contre une surface solide. Serrez les lames supérieure et inférieure à l'aide d'une pince ou dans un étau, puis utilisez la clé fournie pour desserrer l'écrou (Fig. 5a).
3. Retirez successivement l'écrou, la bride coulissante, la rondelle, la coupelle de support, la lame inférieure, la lame supérieure et la coupelle de l'arbre, comme indiqué à la Fig. 5b.

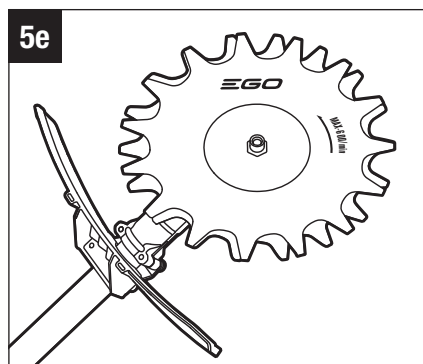
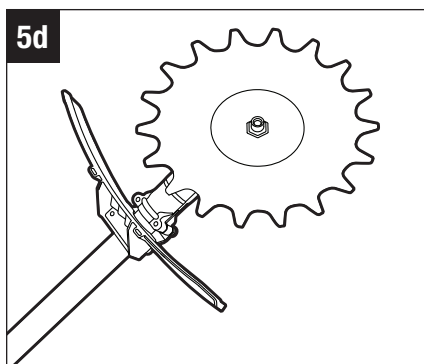
## Installation

1. Portez des gants de protection résistants.
2. Placez la coupelle de l'arbre sur l'arbre (Fig. 5c).
3. Placez la lame supérieure avec le grand trou hexagonal sur l'arbre avec le logo « EGO » imprimé sur la surface orienté face au carter d'engrenages (Fig. 5d).
4. Placez la lame inférieure avec le petit trou hexagonal sur l'arbre avec le logo « EGO » imprimé sur la surface orienté vers l'extérieur du carter d'engrenages (Fig. 5e).



**REMARQUE :** Assurez-vous que les trous hexagonaux des lames et l'épaulement hexagonal de l'arbre s'emboîtent. Si les lames sont montées dans le mauvais ordre, l'attachement rotocut ne fonctionnera pas correctement et les lames seront endommagées.

5. Suivez la séquence indiquée sur la Fig. 5b pour assembler la coupelle de support, la rondelle, la bride coulissante et l'écrou sur l'arbre. Utilisez la clé fournie pour serrer fermement l'écrou.



## RANGEMENT DE L'ÉQUIPEMENT

- Détachez le bloc-piles de la machine.
- Nettoyez soigneusement la machine avant de la ranger.
- Retirez l'attachement rotocut du bloc moteur et couvrez l'arbre de l'attachement avec le capuchon d'extrémité pour éviter que des saletés ne pénètrent dans l'accouplement.
- Rangez l'équipement dans un endroit sec et bien aéré, hors de portée des enfants. Ne rangez pas cet équipement sur des engrais, de l'essence ou d'autres produits chimiques, ou à proximité de ceux-ci.

## RECHERCHE DE LA CAUSE DES PROBLÈMES

PROBLÈME	CAUSE	SOLUTION
Le moteur ne démarre pas.	<ul style="list-style-type: none"> <li>■ Le bloc-piles n'est pas bien attaché au bloc moteur.</li> <li>■ Il n'y a pas de contact électrique entre le bloc moteur et le bloc-piles.</li> <li>■ Le bloc-piles est épuisé.</li> <li>■ Le levier de verrouillage en position désactivée et la gâchette du bloc moteur ne sont pas enfoncés simultanément.</li> <li>■ Le moteur ne démarre toujours pas pour des raisons autres que les raisons énumérées ci-dessus.</li> </ul>	<ul style="list-style-type: none"> <li>■ Attachez le bloc-piles au bloc moteur, et assurez-vous qu'il s'enclenche.</li> <li>■ Retirez la pile, vérifiez les contacts et réinstallez le bloc-piles jusqu'à ce qu'il s'enclenche.</li> <li>■ Chargez le bloc-piles avec les chargeurs EGO indiqués dans le mode d'emploi du bloc moteur.</li> <li>■ Appuyez sur le levier de verrouillage en position désactivée et maintenez-le enfoncé, puis appuyez sur la gâchette pour faire démarrer le moteur.</li> <li>■ Contactez le service à la clientèle d'EGO.</li> </ul>
Le bloc moteur s'arrête en cours de fonctionnement.	<ul style="list-style-type: none"> <li>■ Le moteur est surchargé.</li> <li>■ Le bloc-piles ou le bloc moteur est trop chaud.</li> </ul>	<ul style="list-style-type: none"> <li>■ Le moteur recommencera à fonctionner lorsque la charge aura été retirée. Pour assurer un fonctionnement continu, diminuez la charge sur le bloc moteur en réduisant la quantité que vous coupez à la fois, en particulier lorsque vous avez affaire à de l'herbe ou de la végétation épaisse.</li> <li>■ Laissez le bloc-piles ou le bloc moteur refroidir jusqu'à ce que la température descende en dessous de 67 °C / 152 °F.</li> </ul>

# GARANTIE LIMITÉE D'EGO

## CONDITIONS ET DURÉE DE LA POLITIQUE DE GARANTIE

Chervon North America, Inc. (« Chervon North America, Naperville, IL 60563 ») accorde la Garantie limitée suivante pour les produits EGO à l'acheteur initial de produits EGO.

La période de garantie détaillée de chaque produit EGO est indiquée en ligne à l'adresse <http://egopowerplus.com/warranty-policy>.

**Veillez contacter le Service à la clientèle d'EGO en téléphonant au 1-855-EGO-5656 (appel gratuit)** à tout moment en cas de questions, si vous voulez vous prévaloir de la garantie.

## GARANTIE LIMITÉE DE SERVICE APRÈS-VENTE

Les produits EGO sont garantis contre tout défaut de matériel ou de fabrication à partir de la date d'achat au détail originale et pendant la période de garantie applicable.

Pour toute demande de garantie soumise correctement et dans les délais, si Chervon North America détermine qu'un produit est défectueux pendant la période de garantie, le produit sera réparé ou remplacé gratuitement, selon ce qui aura été déterminé par Chervon North America.

## COMMENT OBTENIR DE L'ASSISTANCE DANS LE CADRE DU SERVICE APRÈS-VENTE

Pour obtenir de l'assistance dans le cadre de la garantie (pendant la période de garantie applicable), veuillez contacter le service à la clientèle d'EGO en téléphonant au **1-855-EGO-5656** (appel gratuit). Lorsque vous demandez de l'assistance dans le cadre de la garantie, vous devez présenter le reçu de vente original daté. Un centre de service après-vente agréé sera sélectionné pour évaluer et réparer le produit défectueux conformément aux conditions de garantie énoncées. Lorsque vous apportez votre produit au centre de service après-vente agréé, il se peut qu'une petite caution vous soit demandée lors du dépôt de votre outil. Cette caution est remboursable lorsque le service de réparation est considéré comme étant couvert par la garantie. Il incombe à l'acheteur d'effectuer le transport de tous les équipements électriques d'extérieur ou attachements à ses frais.

## LIMITATIONS ET EXCLUSIONS SUPPLÉMENTAIRES

Cette garantie limitée ne s'applique qu'à l'acheteur initial d'un produit à un revendeur agréé EGO, et elle ne peut pas être cédée. Les produits EGO ne sont pas considérés comme défectueux et la présente garantie ne s'applique pas lorsque le défaut invoqué est imputable à une cause autre que les défauts définis ci-dessus. Cette garantie est nulle et non avenue si le produit a été utilisé à des fins de location. La présente garantie ne s'applique pas aux dommages causés par un accident, un abus, une mauvaise utilisation, une altération, une modification, une réparation non autorisée, un contact avec un liquide, un incendie, un tremblement de terre ou toute autre cause externe ; par une utilisation du produit en dehors des instructions, spécifications ou directives d'EGO ; ou par un manquement à l'entretien ou à la maintenance convenable du produit. Cette garantie ne s'applique pas non plus aux dommages esthétiques, y compris, mais sans s'y limiter, les rayures ou les bosses, ainsi qu'aux défauts causés par l'usure normale ou autrement dus au vieillissement normal du produit.

CETTE GARANTIE EXPRESSE EST DONNÉE EN LIEU ET PLACE DE TOUTE AUTRE GARANTIE, EXPRESSE OU IMPLICITE, Y COMPRIS, MAIS SANS S'Y LIMITER, TOUTE GARANTIE DE QUALITÉ MARCHANDE OU D'ADÉQUATION À UN USAGE PARTICULIER, QUI EST REJETÉE. Toute garantie implicite, y compris la garantie de qualité marchande ou d'adéquation à un usage particulier qui ne peut être rejetée en vertu de la loi de l'État ou de la province est limitée à la période de garantie applicable définie au début de cet article. Le seul et unique recours en rapport avec l'achat, l'installation, l'utilisation et/ou la performance des produits EGO est la réparation ou le remplacement du produit selon la décision de Chervon North America. La responsabilité maximale de Chervon North America ne dépassera en aucun cas le prix d'achat payé pour le produit. CHERVON NORTH AMERICA NE SERA PAS RESPONSABLE ENVERS L'UTILISATEUR OU TOUTE AUTRE PERSONNE DES DOMMAGES CONSÉCUTIFS, ACCIDENTELS, SPÉCIAUX, EXEMPLAIRES, INDIRECTS OU PUNITIFS RÉSULTANT DE L'UTILISATION DES PRODUITS, Y COMPRIS, MAIS SANS S'Y LIMITER, LES PRÉJUDICES CORPORELS, LA MORT, LES DOMMAGES MATÉRIELS, LA PERTE DE BÉNÉFICES OU TOUT AUTRE DOMMAGE ÉCONOMIQUE. Cette garantie vous confère des garanties juridiques particulières, et vous pouvez aussi avoir d'autres droits, qui varient selon l'État ou la province. Étant donné que certains États et certaines provinces ne permettent pas de limitations quant à la durée d'une garantie implicite ou ne permettent pas l'exclusion ou la limitation des dommages indirects ou secondaires, ou le délai de prescription pour intenter certaines actions, il est possible que les limitations contenues aux présentes ne s'appliquent pas à consommateurs dans ces États ou provinces.



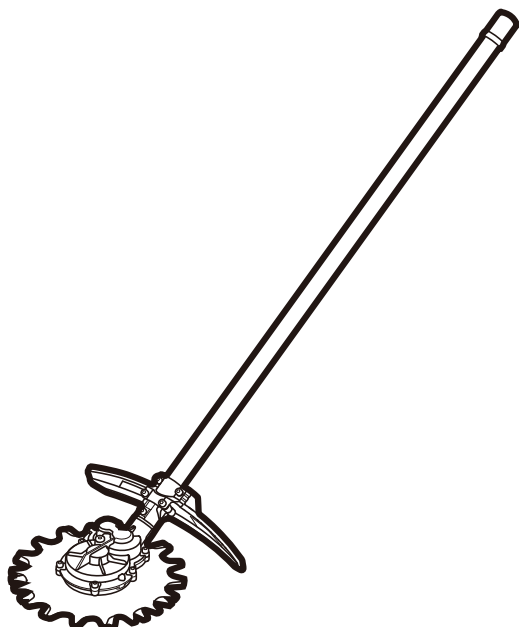
Cette garantie est soumise au droit du Michigan et doit être interprétée conformément au droit du Michigan sans tenir compte des principes de conflits de lois. Aucune action en justice ne pourra être intentée contre Chervon North America si elle n'est pas déposée dans un délai d'un (1) an après que le fondement de cette action en justice aura été connu, ou qu'il aurait dû l'être si une diligence raisonnable avait été exercée. Toute action non intentée dans les délais est réputée abandonnée.

Pour le service à la clientèle, contactez-nous en téléphonant au numéro suivant (appel gratuit) : **1-855-EGO-5656** ou **EGOPOWERPLUS.COM**.

EGO Customer Service,  
769 Seward Ave. NW, Suite 102,  
Grand Rapids, Michigan 49504.

# EGO™

POWER<sup>+</sup> MULTI-HEAD SYSTEM™



## MANUAL DEL OPERADOR

# ADITAMENTO ROTOCUT

NÚMERO DE MODELO RTA2320/RTA2320-FC

**⚠ ADVERTENCIA:** Para reducir el riesgo de lesiones, el usuario debe leer y comprender el Manual del propietario antes de usar este producto. Guarde estas instrucciones para referencia futura.

# ¡LEA TODAS LAS INSTRUCCIONES!



LEA Y ENTIENDA  
EL MANUAL DEL OPERADOR

## ÍNDICE

Símbolos de seguridad .....	57
Instrucciones generales de seguridad para máquinas .....	58-62
Instrucciones de seguridad importantes .....	62-63
Símbolos .....	64-65
Introducción .....	66
Especificaciones .....	66
Descripción .....	67-68
Ensamblaje .....	69-72
Utilización .....	73-75
Mantenimiento .....	75-78
Resolución de problemas .....	79
Garantía Limitada de EGO .....	80-81

# SÍMBOLOS DE SEGURIDAD

El propósito de los símbolos de seguridad es atraer la atención del usuario hacia posibles peligros. Los símbolos de seguridad y las explicaciones que los acompañan merecen que usted preste una atención detenida y logre una comprensión profunda. Las advertencias con símbolo no eliminan por sí mismas ningún peligro. Las instrucciones y las advertencias que dichas instrucciones dan no son sustitutos de las medidas adecuadas de prevención de accidentes.

**⚠ ADVERTENCIA** Asegúrese de leer y entender todas las instrucciones de seguridad incluidas en este manual del operador, incluyendo todos los símbolos de alerta de seguridad, tales como “**PELIGRO**”, “**ADVERTENCIA**” y “**PRECAUCIÓN**”, antes de utilizar esta máquina. Si no se siguen todas las instrucciones que se indican a continuación, es posible que el resultado sea descargas eléctricas, incendio y/o lesiones corporales graves.

Las definiciones que aparecen a continuación describen el nivel de gravedad de cada palabra de aviso. Por favor, lea el manual y preste atención a estos símbolos.	
	Este es el símbolo de alerta de seguridad. Se utiliza para alertarle a usted de peligros potenciales de lesiones corporales. Obedezca todos los mensajes de seguridad que sigan a este símbolo para evitar posibles lesiones o la muerte.
<b>⚠ PELIGRO</b>	PELIGRO indica una situación peligrosa que, si no se evita, causará la muerte o lesiones graves.
<b>⚠ ADVERTENCIA</b>	ADVERTENCIA indica una situación peligrosa que, si no se evita, podría causar la muerte o lesiones graves.
<b>⚠ PRECAUCIÓN</b>	PRECAUCIÓN, utilizada con el símbolo de alerta de seguridad, indica una situación peligrosa que, si no se evita, causará lesiones leves o moderadas.

## MENSAJES DE PREVENCIÓN DE DAÑOS E INFORMACIÓN

Estos mensajes ofrecen al usuario información y/o instrucciones importantes que, si no se siguen, podrían causar daños al equipo u otros daños materiales. Cada mensaje va precedido por la palabra “**AVISO**”, como en el ejemplo que aparece a continuación:

**AVISO** Si no se siguen estas instrucciones, es posible que se produzcan daños al equipo y/o daños materiales.

# INSTRUCCIONES GENERALES DE SEGURIDAD PARA MÁQUINAS

**⚠ ADVERTENCIA** Lea todas las advertencias de seguridad, instrucciones, ilustraciones y especificaciones suministradas con esta máquina. Si no se siguen todas las instrucciones que se indican a continuación, es posible que el resultado sea descargas eléctricas, incendio y/o lesiones graves.

**Guarde todas las advertencias e instrucciones para referencia futura.**

El término “máquina” que se incluye en las advertencias se refiere a su máquina alimentada por la red eléctrica (alámbrica) o a su máquina alimentada por baterías (inalámbrica).

## Seguridad en el área de trabajo

- **Mantenga el área de trabajo limpia y bien iluminada.** Las áreas desordenadas u oscuras invitan a que se produzcan accidentes.
- **No utilice máquinas en atmósferas explosivas, tales como las existentes en presencia de líquidos, gases o polvos inflamables.** Las máquinas generan chispas, las cuales es posible que incendien el polvo o los vapores.
- **Mantenga a los niños y a las personas presentes alejados mientras esté utilizando una máquina.** Las distracciones pueden hacer que usted pierda el control.

## Seguridad eléctrica

- **Los enchufes de las máquinas deben coincidir con el tomacorriente. No modifique nunca el enchufe de ninguna manera. No utilice enchufes adaptadores con máquinas conectadas a tierra (puestas a masa).** Los enchufes sin modificar y los tomacorrientes coincidentes reducirán el riesgo de descargas eléctricas.
- **Evite el contacto del cuerpo con superficies conectadas a tierra o puestas a masa, tales como tuberías, radiadores, estufas de cocina y refrigeradores.** Hay un mayor riesgo de descargas eléctricas si el cuerpo del operador está conectado a tierra o puesto a masa.
- **No utilice la máquina bajo la lluvia o en condiciones mojadas.** Es

posible que la entrada de agua en una máquina aumente el riesgo de descargas eléctricas o funcionamiento incorrecto, lo cual podría tener como resultado lesiones corporales.

- **No maltrate el cable. No utilice nunca el cable para transportar, jalar o desenchufar la máquina. Mantenga el cable alejado del calor, el aceite, los bordes afilados o las piezas móviles.** Los cables dañados o enredados aumentan el riesgo de descargas eléctricas.
- **Cuando utilice una máquina a la intemperie, utilice un cable de extensión adecuado para uso a la intemperie.** La utilización de un cable adecuado para uso a la intemperie reduce el riesgo de descargas eléctricas.
- **Si es inevitable utilizar una máquina en un lugar húmedo, use una fuente de alimentación protegida por un interruptor de circuito accionado por corriente de pérdida a tierra (GFCI, por sus siglas en inglés).** El uso de un GFCI reduce el riesgo de descargas eléctricas.

## Seguridad personal

- **Manténgase alerta, fíjese en lo que está haciendo y use el sentido común cuando utilice una máquina. No utilice una máquina mientras esté cansado o bajo la influencia de drogas, alcohol o medicamentos.** Es posible que un momento de desatención mientras se estén utilizando máquinas cause lesiones corporales graves.
- **Utilice equipo de protección personal.** Use siempre protección ocular. Los equipos de protección, tales como una máscara antipolvo, zapatos de seguridad antideslizantes, casco o protección de la audición, utilizados según lo requieran las condiciones, reducirán las lesiones corporales.
- **Prevenga los arranques accidentales. Asegúrese de que el interruptor esté en la posición de apagado antes de conectar la máquina a una fuente de alimentación y/o a un paquete de batería, levantar la máquina o transportarla.** Si se transportan máquinas con el dedo en el interruptor o si se suministra corriente a máquinas que tengan el interruptor en la posición de encendido se invita a que se produzcan accidentes.
- **Retire todas las llaves de ajuste o de tuerca antes de encender la máquina.** Es posible que una llave de tuerca o de ajuste que se deje sujeta a una pieza móvil de la máquina cause lesiones corporales.
- **No intente alcanzar demasiado lejos. Mantenga un apoyo de los pies y un equilibrio adecuados en todo momento.** Esto permite un mejor control de la máquina en situaciones inesperadas.

- **Vístase adecuadamente. No se ponga ropa holgada ni joyas. Mantenga el pelo y la ropa alejados de las piezas móviles.** La ropa holgada, las joyas o el pelo largo pueden quedar atrapados en las piezas móviles.
- **Si se proporcionan dispositivos para la conexión de instalaciones de extracción y recolección de polvo, asegúrese de que dichas instalaciones estén conectadas y se utilicen correctamente.** El uso de dispositivos de recolección de polvo puede reducir los peligros relacionados con el polvo.
- **No deje que la familiaridad obtenida con el uso frecuente de las máquinas le permita volverse complaciente e ignorar los principios de seguridad de las máquinas.** Una acción descuidada puede causar lesiones graves en una fracción de segundo.

## Uso y cuidado de las máquinas

- **No fuerce la máquina. Utilice la máquina correcta para la aplicación que vaya a realizar.** La máquina correcta realizará el trabajo mejor y de manera más segura a la capacidad nominal para la que fue diseñada.
- **No utilice la máquina si el interruptor no la enciende y apaga.** Cualquier máquina que no se pueda controlar con el interruptor es peligrosa y debe ser reparada.
- **Desconecte el enchufe de la fuente de alimentación y/o retire el paquete de batería de la máquina, si es retirable, antes de hacer cualquier ajuste, cambiar accesorios o almacenar máquinas.** Dichas medidas preventivas de seguridad reducen el riesgo de arrancar accidentalmente la máquina.
- **Almacene las máquinas inactivas fuera del alcance de los niños y no permita que las personas que no estén familiarizadas con la máquina o con estas instrucciones utilicen la máquina.** Las máquinas son peligrosas en manos de los usuarios que no hayan recibido capacitación.
- **Realice mantenimiento de las máquinas y los accesorios. Compruebe si hay desalineación o atoramiento de las piezas móviles, rotura de piezas y cualquier otra situación que pueda afectar al funcionamiento de la máquina. Si la máquina está dañada, haga que la reparen antes de utilizarla.** Muchos accidentes son causados por máquinas que reciben un mantenimiento deficiente.
- **Mantenga las máquinas de corte afiladas y limpias.** Las máquinas de corte mantenidas adecuadamente, con bordes de corte afilados, tienen menos probabilidades de atorarse y son más fáciles de controlar.

- **Utilice la máquina eléctrica, los accesorios, las brocas de la máquina, etc., de acuerdo con estas instrucciones, teniendo en cuenta las condiciones de trabajo y el trabajo que se vaya a realizar.** El uso de la máquina para operaciones distintas a las previstas podría causar una situación peligrosa.
- **Mantenga los mangos y las superficies de agarre secos, limpios y libres de aceite y grasa.** Los mangos resbalosos y las superficies de agarre resbalosas no permiten un manejo y un control seguros de la máquina en situaciones inesperadas.

## Uso y cuidado de las máquinas a batería

- **Realice las recargas solo con el cargador especificado por el fabricante.** Es posible que un cargador que sea adecuado para un tipo de paquete de batería cree un riesgo de incendio cuando se utilice con otro paquete de batería.
- **Utilice las máquinas solo con los paquetes de batería designados específicamente.** Es posible que el uso de cualquier otro paquete de batería cree un riesgo de lesiones e incendio.
- **Cuando el paquete de batería no se esté utilizando, manténgalo alejado de otros objetos metálicos, tales como clips sujetapapeles, monedas, llaves, clavos, tornillos u otros objetos metálicos pequeños que puedan hacer una conexión de un terminal con otro.** Si se cortocircuitan juntos los terminales de la batería, es posible que se causen quemaduras o un incendio.
- **En condiciones abusivas, es posible que se expulse líquido de la batería; evite el contacto. Si se produce contacto accidentalmente, enjuáguese con agua.** Si entra líquido en contacto con los ojos, busque adicionalmente ayuda médica. Es posible que el líquido expulsado de la batería cause irritación o quemaduras.
- **No utilice un paquete de batería o una máquina que estén dañados o modificados.** Es posible que las baterías dañadas o modificadas exhiban un comportamiento imprevisible que cause un incendio, una explosión o riesgo de lesiones.
- **No exponga un paquete de batería o una máquina a un fuego o a una temperatura excesiva.** Es posible que la exposición a un fuego o a una temperatura superior a 265 °F (130 °C) cause una explosión.
- **Siga todas las instrucciones de carga y no cargue el paquete de batería ni la máquina fuera del intervalo de temperatura especificado en las instrucciones.** Es posible que la realización de la carga de manera inadecuada

o a temperaturas que estén fuera del intervalo especificado dañe la batería y aumente el riesgo de incendio.

## Servicio de ajustes y reparaciones

- **Haga que su máquina reciba servicio de ajustes y reparaciones por un técnico de reparaciones calificado que utilice únicamente piezas de repuesto idénticas.** Esto garantizará que se mantenga la seguridad de la máquina.
- **No haga nunca servicio de ajustes y reparaciones de paquetes de batería dañados.** El servicio de ajustes y reparaciones de los paquetes de batería deberá ser realizado solo por el fabricante o por proveedores de servicio autorizados.

## INSTRUCCIONES DE SEGURIDAD IMPORTANTES

- **Evite los entornos peligrosos:** No utilice aparatos eléctricos en pendientes húmedas o mojadas.
- **Mantenga los protectores en la posición correcta y en buenas condiciones de funcionamiento.**
- **Mantenga las manos y los pies alejados del área de corte.**
- **Para reducir el riesgo de lesiones, no trabaje nunca subido a una escalera o sobre cualquier otro soporte inseguro. No agarre nunca la unidad de corte por encima de la cintura.**
- **Compruebe la unidad de corte a intervalos regulares cortos durante la utilización o inmediatamente si hay un cambio notable en el comportamiento de corte.**
- **Para obtener los mejores resultados, la batería se deberá cargar en un lugar donde la temperatura sea superior a 41 °F (5 °C) e inferior a 104 °F (40 °C).** No la almacene en el exterior ni en vehículos.
- **Si se le acerca alguien, detenga el motor y la unidad de corte.**
- **Avisé al operador del peligro de contragolpe de la hoja.**
- Es posible que se produzca contragolpe de la hoja cuando la hoja que gira entre en contacto con un objeto que no se corte inmediatamente.

- El contragolpe de la hoja puede ser lo suficientemente violento como para hacer que la unidad y/o el operador sean propulsados en cualquier dirección y posiblemente se pierda el control de la unidad.
- El contragolpe de la hoja se puede producir sin previo aviso si la hoja se engancha, se detiene o se atora.
- Es más probable que se produzca contragolpe de la hoja en las áreas en las que sea difícil ver el material que se esté cortando.
- **No instale ninguna hoja en una unidad sin haber hecho la instalación adecuada de todas las piezas requeridas. Si no se utilizan las piezas adecuadas, el resultado puede ser que la hoja sea lanzada al aire y cause lesiones graves al operador y/o a las personas presentes. Deseche las hojas que estén dobladas, arqueadas, agrietadas, rotas o dañadas de alguna manera. Utilice una hoja afilada. Una hoja desafilada es más probable que se enganche y experimente contragolpe.**
- **Una hoja/un hilo que gire por inercia mientras desacelera puede causar lesiones mientras sigue girando después de detener el motor o soltar el gatillo. Mantenga un control adecuado hasta que la hoja/el hilo haya dejado de rotar por completo.**
- **Las máquinas a batería no tienen que enchufarse en un tomacorriente; por lo tanto, siempre están en condiciones de funcionamiento.** Esté atento a los posibles peligros incluso cuando la máquina no esté en funcionamiento. Tenga precaución cuando realice mantenimiento o servicio.
- **No lave la máquina con una manguera; evite que entre agua en el motor y las conexiones eléctricas.**
- **Si se producen situaciones que no estén cubiertas en este manual, tenga precaución y aplique un buen criterio. Contacte a servicio al cliente de EGO para obtener asistencia.**

**NOTA: CONSULTE EL MANUAL DEL OPERADOR DE SU CABEZAL MOTRIZ PARA OBTENER NORMAS DE SEGURIDAD ESPECÍFICAS ADICIONALES.**

**¡GUARDE ESTAS INSTRUCCIONES!**

## SÍMBOLOS

Esta página muestra y describe los símbolos de seguridad que es posible que aparezcan en este producto. Lea, entienda y siga todas las instrucciones que se encuentran en el producto antes de intentar ensamblarlo y utilizarlo.

	Alerta de seguridad	Precauciones que involucran la seguridad del operador
	Lea y entienda el manual del operador	Para reducir el riesgo de lesiones, el usuario debe leer y entender el manual del operador antes de utilizar este producto.
	Use protección ocular	Use siempre anteojos de seguridad o gafas de seguridad con escudos laterales y una careta completa cuando utilice este producto.
	Use protección de oídos	Use siempre barreras contra el sonido (tapones de oídos u orejeras) para protegerse la audición.
	Use protección de la cabeza	Use un casco de seguridad aprobado para protegerse la cabeza.
	Use protección de las manos	Protéjase las manos con guantes cuando maneje la desbrozadora y su hoja. Los guantes antideslizantes gruesos mejoran el agarre y protegen las manos.
	Use calzado antideslizante	Use calzado de seguridad antideslizante cuando utilice este equipo.

	Esté atento al contragolpe de la hoja	Avisé al operador del peligro de contragolpe de la hoja.
	Desconecte la batería antes de hacer mantenimiento	Alerta al usuario para que desconecte la batería antes de hacer mantenimiento.
	Esté atento a los objetos lanzados al aire	Los objetos lanzados al aire pueden rebotar y causar lesiones corporales o daños materiales.
	La distancia entre la máquina y las personas presentes será de al menos 50 pies (15 m)	Asegúrese de que otras personas y los animales domésticos permanezcan al menos a 50 pies (15 m) de distancia de la desbrozadora cuando se esté utilizando.
IP...	Calificación de protección contra la penetración (IP)	Clasifica el grado de protección proporcionada por un recinto cerrado para equipos eléctricos.
V	Voltio	Tensión
mm	Milímetro	Longitud o tamaño
cm	Centímetro	Longitud o tamaño
pulg.	Pulgada	Longitud o tamaño
kg	Kilogramo	Peso
lb	Libra	Peso
	Corriente continua	Tipo o característica de corriente
RPM	Revoluciones por minuto	Velocidad rotacional
°C	Grados Celsius	Temperatura
°F	Grados Fahrenheit	Temperatura

## INTRODUCCIÓN

Felicitaciones por su selección del ADITAMENTO EGO ROTOCUT de ion litio de 56 V. Este producto ha sido diseñado, concebido y fabricado para ofrecerle a usted la mejor confiabilidad y el mejor rendimiento posibles.

En el caso de que tenga cualquier problema que no pueda remediar fácilmente, sírvase contactar a **servicio al cliente de EGO llamando al 1-855-EGO-5656**.

Este manual contiene información importante sobre el ensamblaje, la utilización y el mantenimiento seguros de su producto. Léalo detenidamente antes de utilizar el producto. Tenga este manual al alcance de la mano para poder consultarlo en cualquier momento.

NÚMERO DE SERIE _____	FECHA DE COMPRA _____
USTED DEBERÁ ANOTAR TANTO EL NUMERO DE SERIE COMO LA FECHA DE COMPRA Y CONSERVARLOS EN UN LUGAR SEGURO PARA REFERENCIA FUTURA	

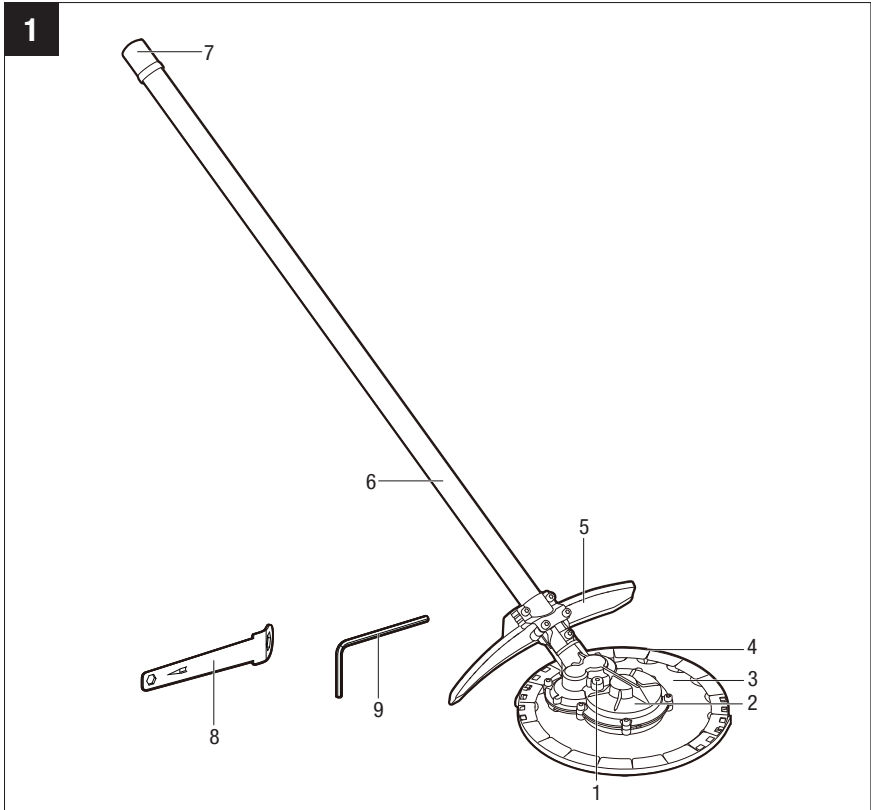
## ESPECIFICACIONES

Tamaño de la hoja	9 pulgadas (23 cm)
Velocidad de corte	450 RPM máx.
Profundidad de corte máx.	1,3 pulgadas (3,4 cm)
Temperatura de funcionamiento recomendada	32 – 104 °F (0 – 40 °C)
Temperatura de almacenamiento recomendada	-4 – 158 °F (-20 – 70 °C)
Peso	4,4 lb (2 kg)
Calificación de protección contra la penetración	IPX4* (protección contra las salpicaduras de agua)

\* **NOTA:** La calificación IPX4 se basa en que la máquina y la batería se utilicen juntas como un sistema.

# DESCRIPCIÓN

## CONOZCA SU ADITAMENTO ROTOCUT (Fig. 1)



- |   |                    |
|---|--------------------|
| 1. Tornillo de sellado                  | 6. Eje             |
| 2. Caja de engranajes                   | 7. Tapa de extremo |
| 3. Hoja                                 | 8. Llave de tuerca |
| 4. Ensamblaje de la cubierta deslizante | 9. Llave Allen     |
| 5. Ensamblaje del protector             |                    |

**⚠ ADVERTENCIA** No utilice nunca la máquina sin tener el protector firmemente instalado en la posición correcta. La utilización de la máquina sin su protector causará lesiones graves.

## **TAPA DE EXTREMO**

Protege el eje contra la intrusión de suciedad y residuos cuando la máquina no se está utilizando.

## **ENSAMBLAJE DEL PROTECTOR**

Reduce el riesgo de lesiones causadas por objetos extraños lanzados al aire hacia atrás, hacia el operador.

## **LLAVE ALLEN**

Para ensamblar el protector de plástico.

## **LLAVE DE TUERCA**

Para reemplazar la hoja.

## ENSAMBLAJE

**⚠ ADVERTENCIA** Si cualquiera de las piezas está dañada o falta, no utilice este producto hasta que las piezas hayan sido reemplazadas. El uso de este producto con piezas dañadas o si le faltan piezas podría causar lesiones corporales graves.

**⚠ ADVERTENCIA** No intente modificar este producto ni crear accesorios no recomendados para utilizarse con este producto. Cualquiera de dichas alteraciones o modificaciones constituye un uso incorrecto y podría provocar una situación peligrosa que cause lesiones corporales graves.

**⚠ ADVERTENCIA** Use siempre guantes gruesos cuando instale o desinstale la hoja o haga cualquier mantenimiento de la hoja. Tenga cuidado con la hoja y protéjase las manos para que no sean lesionadas por la hoja.

**⚠ ADVERTENCIA** No conecte la unidad al cabezal motriz hasta que se haya completado el ensamblaje. Si no se cumple con esta advertencia, el resultado podría ser arranques accidentales y posibles lesiones corporales graves.

## DESEMPAQUE

- Este producto requiere ensamblaje.
- Saque cuidadosamente el producto y los accesorios de la caja. Asegúrese de que todos los artículos que aparecen en la lista de empaquetamiento estén incluidos.

**⚠ ADVERTENCIA** No utilice este producto si cualquiera de las piezas de la lista de empaquetamiento ya está ensamblada en el producto cuando lo desempaque. Las piezas incluidas en esta lista no son ensambladas en el producto por el fabricante y requieren instalación por el cliente. La utilización de un producto que pueda haber sido ensamblado incorrectamente podría causar lesiones corporales graves.

- Inspeccione minuciosamente la máquina para asegurarse de que no se hayan producido roturas o daños durante el envío.
- No deseche el material de empaquetamiento hasta que haya inspeccionado minuciosamente y utilizado satisfactoriamente la máquina.
- Si alguna de las piezas está dañada o falta, sírvase devolver el producto al lugar de compra.

## LISTA DE EMPAQUETAMIENTO

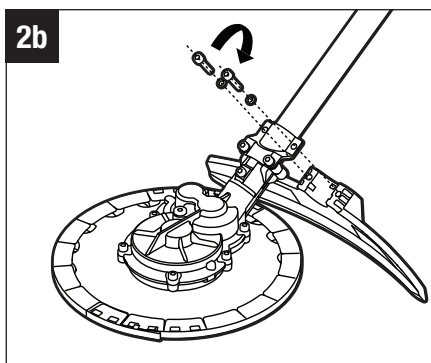
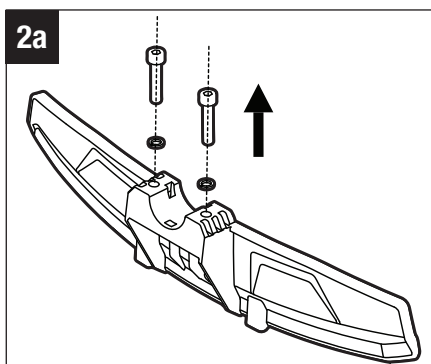
NOMBRE DE LA PIEZA	CANTIDAD
Aditamento rotocut	1
Protector (con tornillos)	1
Llave Allen	1
Llave de tuerca	1
Manual del operador	1

### MONTAJE DEL PROTECTOR

**⚠ ADVERTENCIA** Use siempre guantes gruesos cuando monte o reemplace el protector. Tenga cuidado con la hoja ubicada en el protector y protéjase la mano para que no sufra cortes.

**⚠ ADVERTENCIA** No utilice nunca la máquina sin tener el protector firmemente instalado en la posición correcta. ¡El protector debe estar siempre en la máquina para proteger al usuario! Después de que el protector se haya montado correctamente, no intente nunca retirar o ajustar el protector. ¡Si se necesita un reemplazo, deberá ser realizado por un técnico de servicio calificado!

1. Afloje y retire los dos tornillos del protector con la llave Allen suministrada (Fig. 2a).
2. Alinee los agujeros de montaje del protector con los agujeros de ensamblaje y luego fije el protector sobre la base del eje con los dos tornillos y las dos arandelas elásticas (Fig. 2b).



**⚠ ADVERTENCIA** Asegúrese de que el protector esté montado de acuerdo con las Fig. 2a y 2b. ¡Cualquier montaje incorrecto del protector o cualquier retirada incorrecta del protector causará un gran peligro!

## CONEXIÓN DEL ADITAMENTO AL CABEZAL MOTRIZ

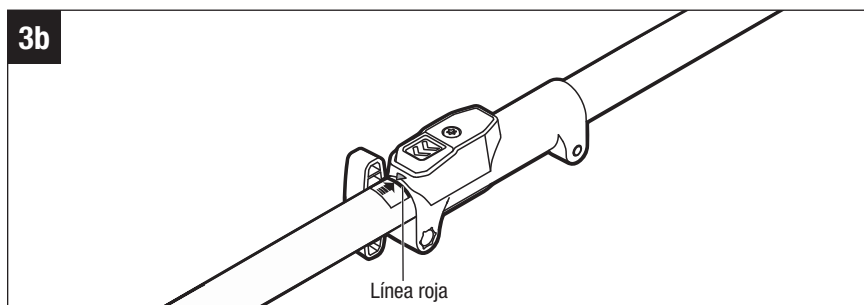
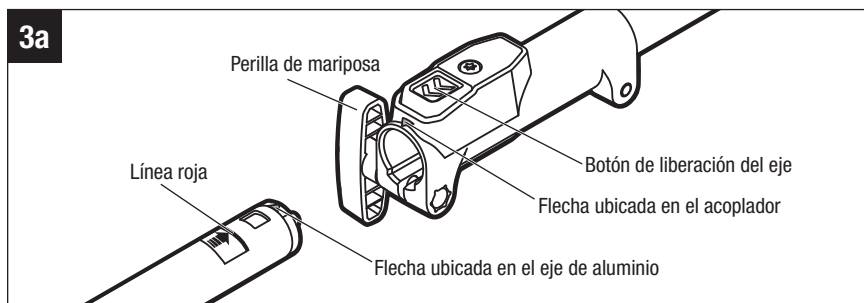
**⚠ ADVERTENCIA** No instale ni ajuste nunca ningún aditamento mientras el cabezal motriz esté en funcionamiento o con el paquete de batería instalado. Es posible que si no se detiene el motor y no se retira el paquete de batería se causen lesiones corporales graves.

Este aditamento rotocut está diseñado para utilizarse con el cabezal motriz EGO PH1400/PH1400-FC/ PH1420/PH1420-FC/PHX1600/PHX1600-FC.

El aditamento rotocut se conecta al cabezal motriz por medio de un dispositivo de acoplador.

1. Detenga el motor y retire el paquete de batería.
2. Afloje la perilla de mariposa ubicada en el acoplador del cabezal motriz.
3. Si la tapa de extremo está en el eje del aditamento, retírela y guárdela en un lugar seguro para utilizarla más tarde. Alinee la flecha ubicada en el eje del aditamento con la flecha ubicada en el acoplador (Fig. 3a) y empuje el eje del aditamento hacia el interior del acoplador hasta que oiga un sonido de “CLIC” nítido. El acoplador se deberá posicionar de manera que la LÍNEA ROJA etiquetada en el eje esté al ras con el borde del acoplador (Fig. 3b).
4. Jale el eje del aditamento para verificar que esté firmemente bloqueado en el acoplador. Si no lo está, rote el eje de un lado a otro en el acoplador hasta que oiga un sonido de “CLIC” nítido que indica que está acoplado.
5. Apriete firmemente la perilla de mariposa

**⚠ ADVERTENCIA** Asegúrese de que la perilla de mariposa esté completamente apretada antes de utilizar el equipo; compruebe periódicamente su apriete durante el uso para evitar lesiones corporales graves.



### Para retirar el aditamento del cabezal motriz

1. Detenga el motor y retire el paquete de batería.
2. Afloje la perilla de mariposa.
3. Presione el botón de liberación del eje y, con el botón presionado, jale o gire el eje del aditamento hacia fuera del acoplador.

## UTILIZACIÓN

**⚠ ADVERTENCIA** No deje que la familiaridad con este producto le haga volverse descuidado. Recuerde que una fracción de segundo de descuido es suficiente para causar lesiones graves.

**⚠ ADVERTENCIA** Use siempre anteojos de seguridad o gafas de seguridad con escudos laterales que estén marcados para cumplir con la norma ANSI Z87.1. Si no se hace así, el resultado podría ser que se lancen objetos hacia los ojos del operador y otras posibles lesiones graves.

**⚠ ADVERTENCIA** Para prevenir lesiones corporales graves, retire el paquete de batería de la máquina antes de hacer servicio de ajustes y reparaciones, realizar limpieza, cambiar aditamentos o retirar material de la unidad.

**⚠ ADVERTENCIA** No utilice aditamentos o accesorios no recomendados por el fabricante de este producto. El uso de aditamentos o accesorios no recomendados puede causar lesiones corporales graves.

Antes de cada uso, inspeccione todo el producto para determinar si hay piezas dañadas, si faltan piezas o si hay piezas flojas, tales como tornillos, tuercas, pernos, tapas, etc. Apriete firmemente todos los sujetadores y todas las tapas, y no utilice este producto hasta que todas las piezas que falten o estén dañadas hayan sido reemplazadas.

## APLICACIONES

Usted puede utilizar esta máquina para los propósitos que se indican a continuación:

- Cortar pasto alrededor de estacas, barandales, bordes de paredes, bordillos de carreteras y cercas.
- Recortar vegetación en estacionamientos.

**AVISO** Para reducir el riesgo de lesiones, no trabaje nunca sin el protector.

## UTILIZACIÓN DEL ADITAMENTO ROTOCUT CON EL CABEZAL MOTRIZ

**⚠ ADVERTENCIA** Vístase adecuadamente para reducir el riesgo de lesiones cuando utilice esta máquina. No se ponga ropa holgada ni joyas. Use protección ocular y de oídos/audición. Use pantalones largos gruesos, botas y guantes gruesos. No use pantalones cortos ni sandalias, ni vaya descalzo. Use una careta o una máscara antipolvo en lugares donde haya grandes cantidades de polvo.

Mantenga el agarre y el equilibrio sobre ambos pies (Fig. 4).

Es posible que los materiales lanzados al aire lesionen gravemente al operador o a las personas presentes. Para reducir el riesgo de lesiones corporales, es esencial tomar las siguientes precauciones:

- Despeje el área que se vaya a cortar antes de casa uso. Retire todos los objetos, tales como rocas, vidrio roto, clavos, alambre o cordel, que puedan ser lanzados al aire por el aditamento de corte o que se puedan enganchar en el mismo.
- Despeje el área de niños, curiosos y animales domésticos. Como mínimo, mantenga a todos los niños, personas presentes y animales domésticos al menos a 50 pies (15 m) de distancia.
- Agarre siempre la máquina con las dos manos cuando la utilice. Use un agarre firme en ambas empuñaduras.
- Lleve la máquina al área de trabajo antes de comenzar a trabajar y comience a una velocidad más baja.
- Para reducir el riesgo de lesiones por pérdida de control, guíe la máquina en un camino estrecho de un lado a otro.



## Antes de cada uso, compruebe si hay piezas dañadas/desgastadas

Compruebe el aditamento rotocut, el protector, la empuñadura auxiliar delantera y el eje de transmisión, y reemplace todas las piezas que estén agrietadas, arqueadas, dobladas o dañadas de alguna manera.

## Limpie el aditamento rotocut después de cada uso

Consulte la sección “MANTENIMIENTO” para obtener instrucciones de limpieza.

**⚠ ADVERTENCIA** Asegúrese de que el aditamento rotocut se haya detenido por completo y que la batería haya sido retirada antes de hacer limpieza o servicio de ajustes y reparaciones. Si no se siguen estos pasos, el resultado podría ser posibles lesiones corporales graves.

## ARRANQUE/PARADA DE LA MÁQUINA

Consulte la sección "ARRANQUE/PARADA DEL CABEZAL MOTRIZ" del manual del operador del cabezal motriz PH1400/PH1400-FC/PH1420/PH1420-FC/PHX1600/PHX1600-FC.

## MANTENIMIENTO

**⚠ ADVERTENCIA** Cuando haga servicio de ajustes y reparaciones, utilice solo piezas de repuesto idénticas. Es posible que el uso de cualquier otra pieza cree un peligro o cause daños al producto. Para garantizar la seguridad y la confiabilidad, todas las reparaciones deberán ser realizadas por un técnico de servicio calificado.

**⚠ ADVERTENCIA** Las máquinas a batería no tienen que enchufarse en un tomacorriente; por lo tanto, siempre están en condiciones de funcionamiento. Para prevenir lesiones corporales graves, tome precauciones adicionales y tenga cuidado adicional cuando realice mantenimiento o servicio de ajustes y reparaciones, o cuando cambie el aditamento de corte u otros aditamentos.

**⚠ ADVERTENCIA** Para prevenir lesiones corporales graves, retire el paquete de batería del cabezal motriz antes de hacer servicio de ajustes y reparaciones, limpiar o cambiar aditamentos adicionales, o cuando el producto no se esté utilizando.

## MANTENIMIENTO GENERAL

Evite utilizar solventes cuando limpie las piezas de plástico. La mayoría de los plásticos son susceptibles a sufrir daños por diversos tipos de solventes comerciales y es posible que resulten dañados por el uso de los mismos. Utilice paños limpios para retirar la suciedad, el polvo, el aceite, la grasa, etc.

**⚠ ADVERTENCIA** No deje en ningún momento que líquidos de freno, gasolina, productos a base de petróleo, aceites penetrantes, etc., entren en contacto con las piezas de plástico. Las sustancias químicas pueden dañar, debilitar o destruir el plástico, lo cual es posible que cause lesiones corporales graves.

**⚠ ADVERTENCIA** Cuando limpie el aditamento rotocut, NO lo sumerja en agua ni en otros líquidos.

## LIMPIEZA DE LA UNIDAD

- Retire la batería
- Use solo un jabón suave y un paño húmedo para limpiar la herramienta. No deje nunca que entre ningún líquido en la herramienta; no sumerja nunca ninguna parte de la herramienta en un líquido.
- Mantenga las aberturas de ventilación de la carcasa del motor libres de residuos en todo momento.

Todo el servicio de ajustes y reparaciones, excepto las acciones indicadas en estas instrucciones de mantenimiento, deberá ser realizado por un técnico de servicio calificado.

## REEMPLAZO DE LA HOJA

**⚠ ADVERTENCIA** No intente enderezar ni soldar una hoja doblada o agrietada. Es posible que una hoja doblada, agrietada o dañada de alguna otra manera se rompa y dicha hoja debe ser reemplazada. Reemplácela solo por una hoja de aditamento rotocot EGO idéntica.

**⚠ ADVERTENCIA** Si la hoja se afloja después de estar fija en la posición correcta, o si la hoja está muy desgastada, reemplácela de inmediato. No utilice nunca una herramienta con un aditamento de corte flojo o ineficaz.

**⚠ ADVERTENCIA** Protéjase siempre las manos usando guantes gruesos.

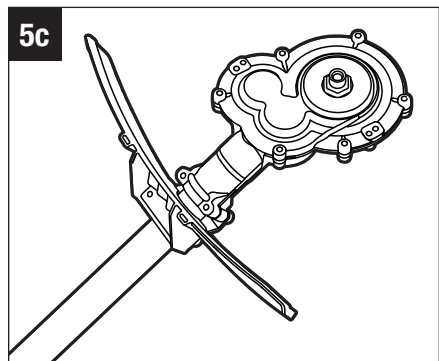
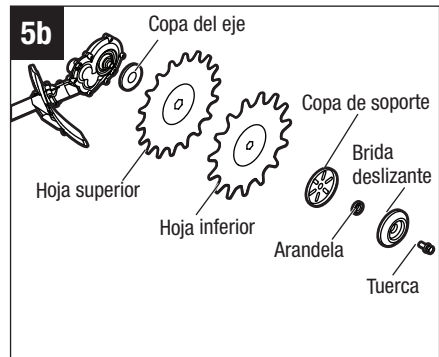
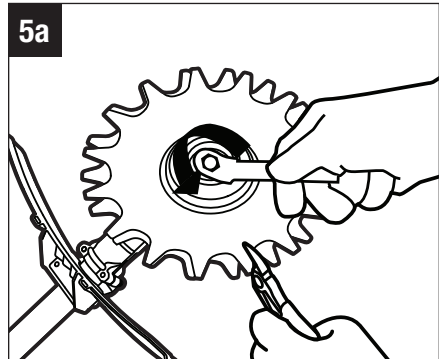
**⚠ ADVERTENCIA** No instale ningún aditamento en una unidad sin la instalación correcta de todas las piezas requeridas. Si no se utilizan las piezas adecuadas, es posible que el resultado sea que la herramienta de trabajo sea lanzada al aire y cause lesiones graves al operador o a las personas presentes.

## Para realizar la retirada

1. Use guantes protectores gruesos.
2. Coloque la caja de engranajes del cabezal ROTOCUT contra una superficie sólida. Fije las hojas superior e inferior con alicates o en una prensa de tornillo, y luego utilice la llave de tuerca suministrada para aflojar la tuerca (Fig. 5a).
3. Retire la tuerca, la brida deslizante, la arandela, la copa de soporte, la hoja inferior, la hoja superior y la copa del eje en secuencia, de la manera que se muestra en la Fig. 5b.

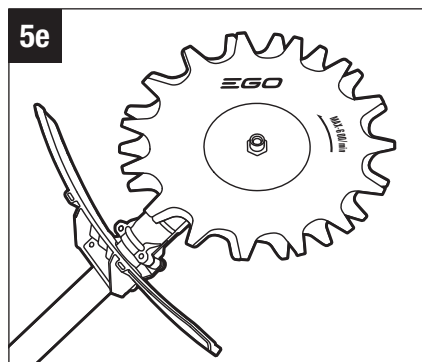
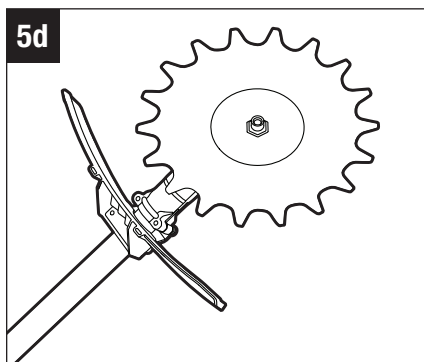
## Para realizar la instalación

1. Use guantes protectores gruesos.
2. Coloque la copa del eje sobre el eje (Fig. 5c).
3. Coloque la hoja superior con el agujero hexagonal grande sobre el eje con la superficie en la que está impreso el logotipo “EGO” orientada hacia la caja de engranajes (Fig. 5d).
4. Coloque la hoja inferior con el agujero hexagonal pequeño sobre el eje con la superficie en la que está impreso el logotipo “EGO” orientada alejándose de la caja de engranajes (Fig. 5e).



**NOTA:** Asegúrese de que los agujeros hexagonales ubicados en las hojas y el hombro del eje hexagonal encajen en la posición correcta. Si las hojas se montan en orden incorrecto, el aditamento roto-cut no funcionará correctamente y las hojas se dañarán.

5. Siga la secuencia mostrada en la Fig. 5b para ensamblar la copa de soporte, la arandela, la brida deslizante y la tuerca sobre el eje. Utilice la llave de tuerca suministrada para apretar firmemente la tuerca.



## ALMACENAMIENTO DE LA UNIDAD

- Retire el paquete de batería de la máquina.
- Limpie minuciosamente la máquina antes de almacenarla.
- Retire el aditamento rotocut del cabezal motriz y cubra el eje del aditamento con la tapa de extremo para evitar que entre suciedad en el acoplamiento.
- Almacene la unidad en un área seca y bien ventilada, fuera del alcance de los niños. No almacene la unidad sobre o adyacente a fertilizantes, gasolina u otras sustancias químicas.

# RESOLUCIÓN DE PROBLEMAS

PROBLEMA	CAUSA	SOLUCIÓN
El motor no arranca.	<ul style="list-style-type: none"> <li>■ El paquete de batería no está instalado adecuadamente en el cabezal motriz.</li> <li>■ No hay contacto eléctrico entre el cabezal motriz y el paquete de batería.</li> <li>■ El paquete de batería está agotado.</li> <li>■ La palanca de fijación en apagado y el gatillo del cabezal motriz no se presionan simultáneamente.</li> <li>■ El motor sigue sin arrancar por motivos más allá de los indicados anteriormente.</li> </ul>	<ul style="list-style-type: none"> <li>■ Instale el paquete de batería en el cabezal motriz y asegúrese de que se acople a presión en la posición correcta.</li> <li>■ Retire la batería, compruebe los contactos y reinstale el paquete de batería hasta que se acople a presión en la posición correcta.</li> <li>■ Cargue el paquete de batería con los cargadores EGO indicados en el manual del operador del cabezal motriz.</li> <li>■ Presione la palanca de fijación en apagado y manténgala presionada, y luego presione el gatillo para arrancar el motor.</li> <li>■ Contacte a servicio al cliente de EGO.</li> </ul>
El cabezal motriz se detiene durante el funcionamiento.	<ul style="list-style-type: none"> <li>■ El motor está sobrecargado.</li> <li>■ El paquete de batería o el cabezal motriz está demasiado caliente.</li> </ul>	<ul style="list-style-type: none"> <li>■ El motor se recuperará cuando se retire la carga. Para funcionamiento continuo, reduzca la carga sobre el cabezal motriz disminuyendo la cantidad que está cortando cada vez, especialmente cuando trabaje con pasto/vegetación de tipo espeso.</li> <li>■ Deje que el paquete de batería o el cabezal motriz se enfríe hasta que la temperatura descienda por debajo de 152 °F (67 °C).</li> </ul>



# GARANTÍA LIMITADA DE EGO

## TÉRMINOS Y DURACIÓN DE LA PÓLIZA DE GARANTÍA

Chervon North America, Inc. ("Chervon North America, Naperville, IL 60563"), proporciona la siguiente Garantía Limitada para los productos EGO al comprador original de productos EGO.

El período de garantía detallado de cada producto EGO se puede encontrar en línea en <http://egopowerplus.com/warranty-policy>.

**Sírvase contactar a Servicio al Cliente de EGO llamando gratis al 1-855-EGO-5656** en cualquier momento en que tenga preguntas o reclamos de garantía.

## GARANTÍA LIMITADA DE SERVICIO

Los productos EGO están garantizados contra defectos de material o de fabricación a partir de la fecha de compra minorista original durante el período de garantía aplicable. Para cualquier reclamo de garantía presentado de manera adecuada y oportuna, si Chervon North America determina que un producto presenta algún defecto durante el período de garantía, dicho producto recibirá una reparación o un remplazo gratuitos, según lo determine Chervon North America.

## CÓMO OBTENER SERVICIO

Para obtener servicio de garantía, dentro del período de garantía aplicable, sírvase contactar a servicio al cliente de EGO llamando gratis al **1-855-EGO-5656**. Cuando solicite servicio de garantía, deberá presentar el recibo de venta fechado original. Se seleccionará un centro de servicio autorizado para evaluar y reparar el producto si el mismo presenta algún defecto de acuerdo con los términos establecidos en la garantía. Cuando lleve su producto al centro de servicio autorizado, es posible que se requiera un pequeño depósito cuando deje allí su herramienta. Este depósito es reembolsable cuando se considere que el servicio de reparaciones esté cubierto bajo garantía. El comprador es responsable del transporte de cualquier equipo o aditamento de energía para exteriores a sus expensas.

## LIMITACIONES Y EXCLUSIONES ADICIONALES

Esta garantía limitada se aplica solo al comprador original que realice la compra a un minorista EGO autorizado y no es transferible. Los productos EGO no serán considerados defectuosos, y esta garantía no se aplicará, en los casos en que el defecto por el que se presente el reclamo sea atribuible a cualquier causa que no sean los defectos definidos anteriormente en este documento. Esta garantía quedará anulada si el producto se ha utilizado para fines de alquiler. Esta garantía no se aplicará a daños causados por

accidente, abuso, uso incorrecto, alteración, modificación, reparación no autorizada, contacto con líquidos, incendio, terremoto u otra causa externa; utilización del producto sin seguir las instrucciones, especificaciones o pautas de EGO; o no hacer servicio de ajustes y reparaciones o no mantener adecuadamente el producto. Esta garantía tampoco se aplica a los daños cosméticos, incluyendo, pero sin limitarse a ello, rasguñaduras o abolladuras; defectos causados por el desgaste por el uso normal o defectos que de alguna otra manera se deban al envejecimiento normal del producto.

ESTA GARANTÍA EXPRESA SE DA EN LUGAR DE TODAS LAS DEMÁS GARANTÍAS, EXPRESAS O IMPLÍCITAS, INCLUYENDO, PERO SIN LIMITARSE A ELLO, TODAS LAS GARANTÍAS DE COMERCIABILIDAD O IDONEIDAD PARA UN PROPÓSITO O USO ESPECÍFICO, LAS CUALES QUEDAN EXCLUIDAS. Todas las garantías implícitas, incluyendo las garantías de comerciabilidad o idoneidad para un propósito específico, que no se puedan excluir bajo la ley estatal, están limitadas al período de garantía aplicable definido al comienzo de este artículo. El remedio único y exclusivo en conexión con la compra, instalación, uso y/o rendimiento de los productos EGO es la reparación o el reemplazo del producto tal y como lo determine Chervon North America. La responsabilidad máxima de North America no excederá en ningún caso el precio de compra pagado por el producto. CHERVON NORTH AMERICA NO SERÁ RESPONSABLE ANTE EL USUARIO NI ANTE NADIE MÁS POR DAÑOS EMERGENTES, INCIDENTALES, ESPECIALES, EJEMPLARES, INDIRECTOS O PUNITIVOS QUE SURJAN DEL USO DE LOS PRODUCTOS, INCLUYENDO, PERO SIN LIMITARSE A ELLO, LESIONES CORPORALES, MUERTE, DAÑOS MATERIALES, GANANCIAS PERDIDAS U OTROS PERJUICIOS ECONÓMICOS. Esta garantía le confiere a usted derechos legales específicos y es posible que usted tenga también otros derechos que varían de un estado a otro. Algunos estados no permiten limitaciones en cuanto a la duración de una garantía implícita, la exclusión o limitación de los daños incidentales o emergentes, o las limitaciones al tiempo para emprender ciertas acciones legales, por lo que las limitaciones contenidas en el presente documento no se aplican a los consumidores individuales de esos estados.

Esta garantía está sujeta a la ley de Michigan y se interpretará de acuerdo con dicha ley, con independencia de los principios sobre conflictos de leyes. No se emprenderá ninguna acción legal contra Chervon North America a menos que se presente dentro del plazo de un (1) año después de que se tenga conocimiento de la base de dicha acción legal o de la cual se debiera haber tenido conocimiento con el ejercicio de una diligencia razonable. Se considerará que se ha renunciado a cualquier acción legal que no se presente oportunamente.

Para obtener servicio al cliente, contáctenos llamando gratis al **1-855-EGO-5656** o en **EGOPOWERPLUS.COM**.

EGO Customer Service,  
769 Seward Ave. NW, Suite 102,  
Grand Rapids, Michigan 49504.





07/2025