



REFRIGERATOR - FREEZER

Models:
CTR21W
CTR21PL

User Manual

BEFORE USE, PLEASE READ AND FOLLOW ALL SAFETY RULES AND OPERATING INSTRUCTIONS.

Write Serial Number (on lower left corner of inside cabinet) here:

Serial No.: _____

Felix Storch, Inc.
An ISO 9001:2015 registered company
770 Garrison Avenue
Bronx, NY
www.summitappliance.com

CONTENTS

SAFETY INSTRUCTIONS	02
SPECIFICATIONS	08
PRODUCT OVERVIEW	09
PRODUCT INSTALLATION	10
OPERATION INSTRUCTIONS	19
CLEANING AND MAINTENANCE	23
TROUBLESHOOTING	25
WARRANTY	28

CALIFORNIA CARB/SNAP DISCLOSURE

This product uses eco-friendly hydrocarbon refrigerant and fully complies with California CARB regulations.

However, we are required by California Law to provide the following disclosure statement in every product sold in California.

"This equipment is prohibited from use in California with any refrigerants on the 'List of Prohibited Substances' for that specific end-use, in accordance with California Code of Regulations, title 17, section 95374. This disclosure statement has been reviewed and approved by Felix Storch, Inc. and Felix Storch, Inc. attests, under penalty of perjury, that these statements are true and accurate."

This product does **not** use any refrigerants on the 'List of Prohibited Substances'"

SAFETY INSTRUCTIONS

INTENDED USE

Before switching on the appliance for the first time read the following safety hints:

This appliance is intended to be used in households and similar applications such as staff kitchen areas in shops, offices, and other working environments; farmhouses and by clients in hotels, motels, and other residential type environments; bed and breakfast type environments; catering and similar non-retail applications.

If the appliance is used commercially or for purposes other than cooling food, please note that the manufacturer cannot accept any liability for any damage.

Modifications or alterations to the unit are not permitted for safety reasons.

EXPLANATION OF SYMBOLS



Danger

This symbol indicates that there are dangers to the life and health of persons due to extremely flammable gas.



Warning of electrical voltage

This symbol indicates that there is a danger to life and health of persons due to voltage.



Warning

The signal word indicates a hazard with a medium level of risk which, if not avoided, may result in death or serious injury.



Caution

The signal word indicates a hazard with a low degree of risk which, if not avoided, may result in minor or moderate injury.



Attention

The signal word indicates important information (e.g., damage to property), but not danger.



Observe instructions

This symbol indicates that a service technician should only operate and maintain this appliance in accordance with the operating instructions.

Read these operating instructions carefully and attentively before using the unit and keep them in the immediate vicinity of the installation site or unit for later use!



WARNING

Risk of fire / Flammable material

- **DANGER** Risk of fire or explosion. Flammable refrigerant used. Do not use mechanical devices to defrost the refrigerator. Do not puncture refrigerant tubing.
- **DANGER** Risk of fire or explosion. Flammable refrigerant used. To be repaired only by trained service personnel. Use only manufacturer-authorized service parts. Any repair equipment used must be designed for flammable refrigerants. Follow all manufacturer repair instructions. Do not puncture refrigerant tubing.



CAUTION

- **CAUTION** Risk of fire or explosion. Dispose of the refrigerator properly in accordance with the applicable federal or local regulations. Flammable refrigerant used.
- **CAUTION** Risk of fire or explosion due to puncture of refrigerant tubing. Follow handling instructions carefully. Flammable refrigerant used.



WARNING GENERAL SAFETY

- Install in accordance with the manufacturer's instructions.
- This product should not be recessed or built-in in an enclosed cabinet. It is designed for freestanding installation only.
- **WARNING** - Keep ventilation openings, in the product, clear of obstruction.
- Do not install near any heat sources, such as radiators, heat registers, stoves, or other cooking appliances, or in direct sunlight.
- Do not store or use gasoline or any flammable liquids inside or in the vicinity of this refrigerator.
- Do not store explosive substances such as aerosol cans with a flammable propellant in this appliance.
- Do not use electrical appliances inside the food storage compartments of the appliance, unless they are of the type recommended by the manufacturer.
- Do not use mechanical devices or other means to accelerate the defrosting process, other than those recommended by the manufacturer.
- This appliance is not intended for use by persons (including children) with reduced physical, sensory, or mental capabilities, or lack of experience and knowledge unless they have been given supervision or instruction concerning the use of the appliance by a person responsible for their safety.



WARNING ELECTRICAL SAFETY

Incorrect electrical installation or excessive mains voltage can lead to electric shocks!

- Only connect your refrigerator-freezer to a properly installed earthed socket if the mains voltage of the socket corresponds to the specification on the rating label.
- Do not use extension cords or ungrounded (two-pin) adapters.
- Make sure that all electrical cables outside the appliance are protected from damage (e.g. by animals or sharp edges).
- Do not place multiple portable socket outlets or portable power supplies at the rear of the appliance.
- Improper power supply may result in fire or electric shocks
- Avoid electrical overload. Disconnect the mains plug from the mains socket before carrying out care, maintenance, and repair work on the unit.
- Switch off the unit and disconnect the mains plug from the mains socket when you are not using the unit.
- If the supply cord is damaged, it must be replaced by the manufacturer, its service agent, or similarly qualified persons in order to avoid a hazard.
- If the products are equipped with LEDs, do not remove the lighting cover and LED yourself. Any replacement or maintenance of the LED lamps is intended to be made by the manufacturer, its service agent, or a similarly qualified person.

This product is not recommended for use with sockets or main switches with the GFCI function, otherwise, it may cause false tripping.

1. It does not pose a safety risk when tripped.
2. If tripping persists, replacing the sockets or main switch is recommended without the GFCI function.



WARNING CHILD SAFETY

- Children should be supervised to ensure that they do not play with the appliance.
- Destroy cartons, plastic bags, and any exterior wrapping material immediately after the product is unpacked.
- Children should never use these items to play. Cartons covered with rugs, bedspreads, plastic sheets, or stretch wrap may become airtight chambers, and can quickly cause suffocation.
- Remove all staples from the carton. Staples can cause severe cuts and destroy finishes if they come in contact with other appliances or furniture.

Risk of child entrapment. Before you throw away your old refrigerator or freezer:

- Take off the doors.
- Leave the shelves in place so that children may not easily climb inside.



CAUTION RISK OF INJURY AND DAMAGE!

- Never put frozen food in your mouth immediately after taking it out of the freezer.
- Avoid prolonged skin contact with frozen food, ice, and the pipes in the freezer compartment.
- Do not store explosive substances such as aerosol cans with a flammable propellant in this appliance. Also, do not place flammable products near the product.
- Do not store beer, drinks, or other liquids in bottles or tightly closed containers in the freezer compartment!



WARNING

State of California Proposition 65 Warnings:

- This product can expose you to chemicals including lead, which is known to the State of California to cause cancer, and bisphenol A (BPA) and lead which is known to the state of California to cause birth defects or other reproductive harm. For more information go to www.P65Warnings.ca.gov.



CAUTION

To avoid contamination of food, please respect the following instructions:

- Opening the door for long periods can cause a significant increase in the temperature in the compartments of the appliance.
- Clean regularly surfaces that can come in contact with food and accessible drainage systems.
- Clean the water tank if they have not been used for 48hrs flush the water system connected to a water supply if water has not been drawn for 5 days. (*)
- **WARNING:** Fill with potable water only. (*)
- **WARNING:** Connect to potable water supply only. (Suitable for an ice-making machine) (*)

● ATTENTION

(*): This feature varies depending on the model purchased. Please confirm whether it is applicable according to your product.

Before The First Use

The packaging must be undamaged. Check the device for transport damage. Do not connect a damaged device under any circumstances. In case of damage, please contact the supplier.

Removing the Transport Cover

The unit and parts of the interior are protected for transport. You can remove all adhesive tapes on the right and left side of the device door as well as any adhesive residues with cleaning solvent. Remove all adhesive tapes and packaging parts from the interior of the device as well.

After transport, the device should stand for 12 hours to allow the coolant to collect in the compressor. Non-observance could damage the compressor and thus lead to the failure of the device.



CAUTION RISK OF DAMAGE!

Setting up the device

- The ambient temperature affects the power consumption and proper functioning of the device. Therefore, the device should be placed in a well-ventilated and dry room with an ambient temperature corresponding to the climate class for which the device is designed.
- Do not place the device outdoors (e.g., balcony, terrace, garden shed, etc.).

Do not use sharp knives or pointed objects when opening the device. Please observe the notes when setting up: “Tips for energy saving “

Removing the unit's doors

- If the unit does not fit through the apartment door, the unit's door can be unscrewed to allow for easier transportation.

ATTENTION

The unscrewing of the unit doors may only be carried out by customer service.



CAUTION NOTES FOR CLEANING

Disconnect the appliance from the power supply before cleaning.

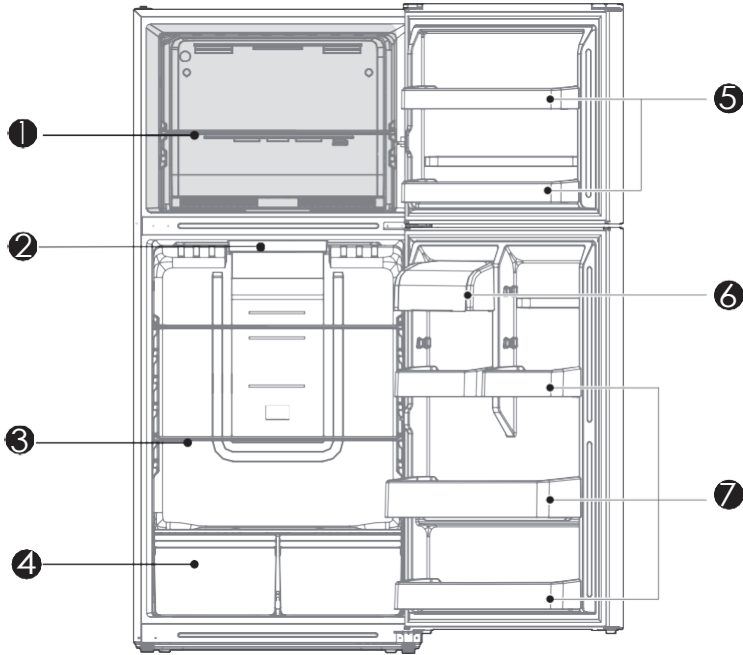
- Dust behind the product and on the floor must be cleaned to improve the cooling effect and energy saving.
- Check the door gasket regularly to make sure there is no debris. Clean the door gasket with a soft cloth dampened with soapy water or diluted detergent.
- The interior of the product should be cleaned regularly to avoid odors.
- Please turn off the power before cleaning the interior, and remove all foods, drinks, shelves, drawers, etc.
- Use a soft cloth or sponge to clean the inside of the product, with two tablespoons of baking soda and a quart of warm water. Then rinse with water and wipe clean. After cleaning, open the door and let it dry naturally before turning on the power.
- For areas that are difficult to clean inside the product (such as narrow places, gaps, or corners), we recommend wiping them regularly with a soft rag, soft brush, etc., and when necessary, with some tools (such as thin sticks) to ensure no contaminants or bacterial accumulation in these areas.
- Do not use soap, detergent, scrub powder, spray cleaner, etc., as these may cause odors inside the product or contaminated food.
- Clean the door tray, shelves, and drawers with a soft cloth dampened with soapy water or diluted detergent. Dry with a soft cloth or dry naturally.
- Wipe the outer surface of the product with a soft cloth dampened with soapy water, detergent, etc., and then wipe dry.
- Do not use hard brushes, scouring pads, wire brushes, abrasives (such as toothpaste), organic solvents (such as alcohol, acetone, banana oil, etc.), boiling water, acid, or alkaline items, which may damage the refrigerator surface and interior. Boiling water and organic solvents such as benzene may deform or damage plastic parts.
- Do not rinse directly with water or other liquids during cleaning to avoid short circuits or affect electrical insulation after immersion.

SPECIFICATIONS

Product model	CTR21W, CTR21PL
Fresh Food Storage Compartment Volume	14.65 ft ³
Frozen Food Storage Volume	5.82 ft ³
Defrosting Type	Automatic
Temperature Rise Time	600 min
Freezing Capacity	-
Rated Voltage	115V~/ 60Hz
Rated Current	2A
Overall Dimension (H x W x D)	66.6in x 29.7in x 32.6in

PRODUCT OVERVIEW

Location of Parts



- | | | | |
|---|---------------------------|---|-------------------------|
| 1 | Freezer glass shelf | 5 | Freezer door tray |
| 2 | Display and control panel | 6 | Storage box |
| 3 | Refrigerator shelf | 7 | Refrigerating door tray |
| 4 | Fruits and vegetables box | | |

ATTENTION

The picture above is only for reference. The actual configuration will depend on the physical product or statement by the distributor.

When the refrigerator is powered on for the first time, storing too much food may adversely affect the cooling effect of the refrigerator.

Do not block the air outlet during food storage, which may adversely affect the cooling effect. If the temperature in the refrigerator compartment is cold, please adjust the switcher to the weaker position. If the temperature in the refrigerator compartment is not cold enough, please adjust the switcher to the strong position.

PRODUCT INSTALLATION

Installation Instruction

Effective Temperature Range

- The product is designed to operate normally in the temperature ranges specified below:

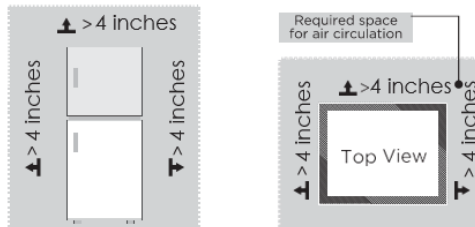
Sections	Operating Temperature Ranges	
	Fahrenheit (°F)	Celsius (°C)
Ambient	50-110	10-43
Freezer	7-(-11)	-14-(-24)
Refrigerator	34-50	1-10

Finding a suitable location

- This refrigerator is designed to be free-standing only, and should not be recessed or built-in.
- The refrigerator should be placed in a well-ventilated indoor place; the ground shall be flat and sturdy.
- Keep away from heat and avoid direct sunlight. Do not place the refrigerator in moist or watery places to prevent rust or reduction of insulating effect.

Dimensions and Clearances

- Too small of a distance from adjacent items may result in the degradation of freezing capability and increased electricity costs. Allow over 100 mm of clearance from each adjacent wall when installing the appliance.



Providing a proper power supply

- Check your local power source. This refrigerator requires a **AC115 V, 60 Hz** power supply.
- Use a receptacle that accepts the grounding prong. The power cord is equipped with a 3-prong (grounding) plug which mates with a standard 3-prong (grounding) wall outlet to minimize the possibility of electric shock hazard from this refrigerator.

CAUTION

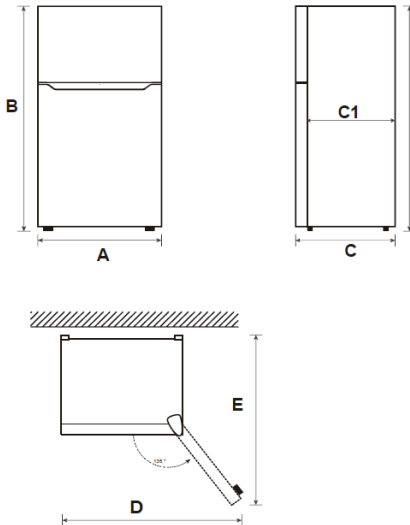
The refrigerator should always be plugged into its own individual electrical outlet which has a voltage rating that matches the rating plate.

Never unplug your refrigerator by pulling on the power cord. Always grip the plug firmly and pull straight out from the outlet.

Start to use

- The refrigerator shall stay for half an hour before connecting power when it is firstly started.
- The refrigerator shall run 2 to 3 hours before loading fresh or frozen foods; the refrigerator shall run for more than 4 hours in summer in advance considering that the ambient temperature is high.

Space requirement diagram (when the door is open and when the door is closed)



Width	Overall Height	Depth	Depth (Only Cabinet)	Width (Doors open 135°)	Depth (Doors open 135°)
A	B	C	C1	D	E
29.7	66.6	32.6	28.8	50.1	54.9

NOTE: All dimensions in inches

Reversing The Door Swing

Based on the location where you plan to use your refrigerator, you may find it more convenient to reverse the position of the door.



CAUTION

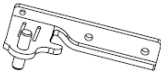
CAUTION: To avoid injury to yourself or your property, we recommend that someone assist you during the door reversal process.

Preparing to reverse the door position

You will need: A standard screwdriver, a Phillips screwdriver, and the included Allen wrench.

- Make sure that your refrigerator is unplugged and empty.
- Have someone available to assist you in the process.
- Keep all the parts you remove to reuse them later.

Parts included with the hinge kit:



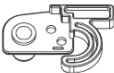
Center left hinge



Left top hinge cover



Top left hinge



Left door-open stopper

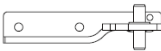


Upper door self-locking block

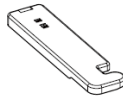


Hole caps (2)

Parts already mounted on the door (as shipped):



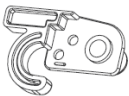
Center right hinge



Right top hinge cover



Top right hinge



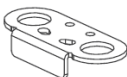
Right door-open stopper



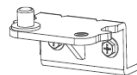
Upper door self-locking block



Hole caps (2)



Door block



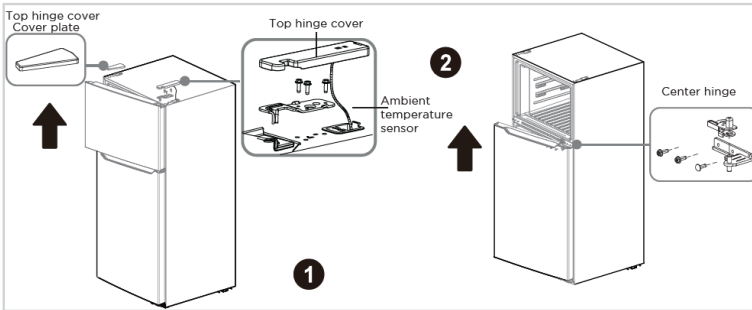
Bottom hinge



Lower door self-locking block

Step

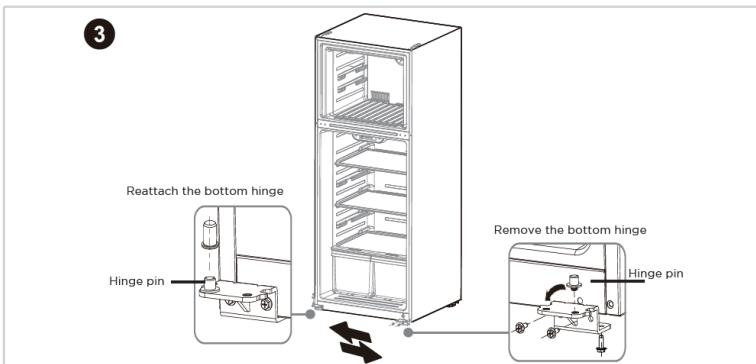
1. Unplug your refrigerator and remove all food from the door shelves.
2. Remove the cover plate and the top hinge cover, then unscrew and remove the top hinge. Keep the screws to reuse.
3. When the user removes the top hinge cover, note that the hinge cover cannot be directly removed, there is a sensor wiring harness connected to the box on the inside side of the hinge cover, it needs to be slowly dismantled, and then take out the sensor wiring harness from the inside side of the hinge cover, and attach the cover on finally.



ATTENTION

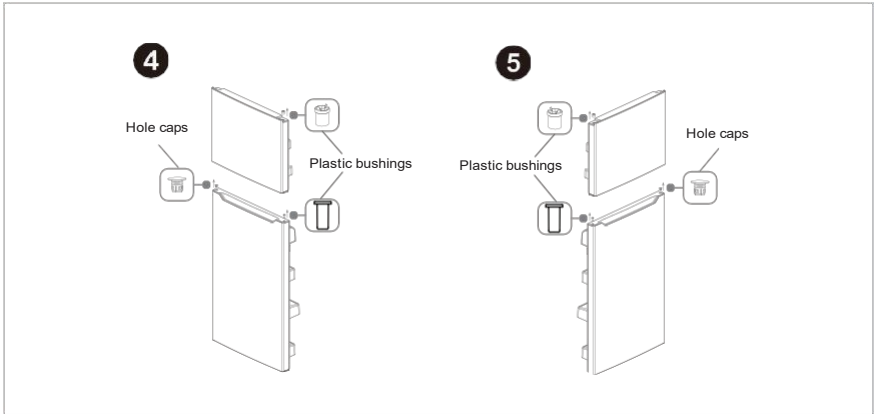
Images show a refrigerator that opens on the left side. Your refrigerator may open on the right side.

4. Lift the freezer door up and away from your refrigerator.
5. Unscrew the three screws holding the center hinge, remove the hinge, then lift the refrigerator door up and away from your refrigerator. Save the screws to reuse and store the hinge in a safe place in case you need to reverse the door position again.
6. Remove the adjusting foot and screw installed on the bottom hinge before removing the bottom hinge.

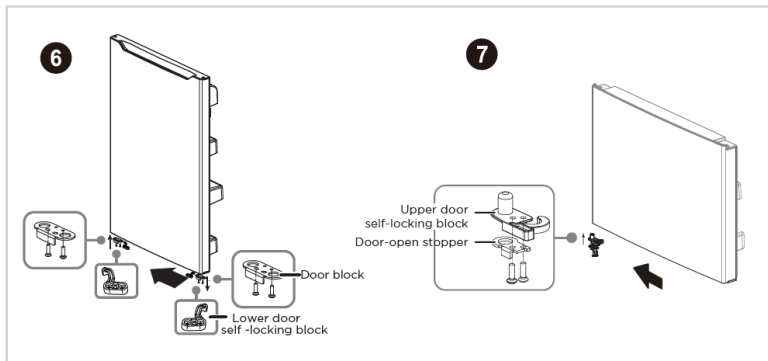


7. Unscrew the screws holding the bottom hinge, then remove the bottom hinge from the refrigerator.

8. Unscrew the hinge pin from the bottom hinge and reattach it to the other hole in the hinge pin, then secure the bottom hinge to the opposite side of the refrigerator using the screws you removed previously. Remove the hole caps and plastic bushings from the top of the freezer and refrigerator doors. Save them for the next step.
9. Insert the hole caps and plastic bushings into the opposite sides (from where you removed them) of the freezer and refrigerator doors.

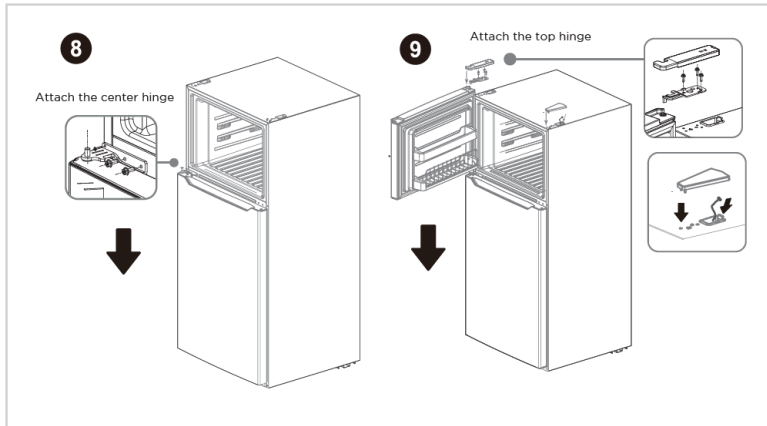


10. Remove the door block from the bottom of the refrigerator door and attach it to the other side.
11. Attach the upper door self-locking block and the door-open stopper to the side of the freezer door where the hinge will be. Use the parts from the hinge kit.

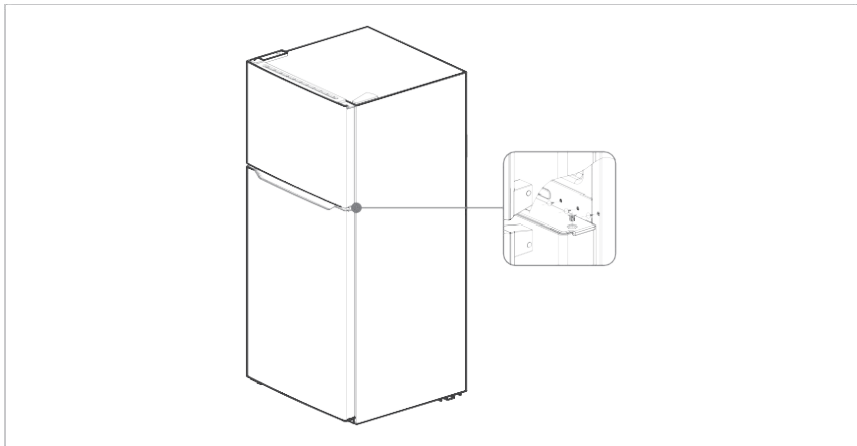


12. Remove the old upper door self-locking block and the door-open stopper (do not remove the parts attached in step 10). Store in a safe place in case you need to reverse the door position again.

13. Attach the refrigerator door to the bottom hinge, then attach the center hinge to the refrigerator. Use the center hinge from the hinge kit (not the piece removed in step 4).



14. Put the freezer door onto the center hinge, then attach the top hinge (from the hinge kit) to the top of the refrigerator. Cover the hinge with the top hinge cover (from the hinge kit) and cover the screw holes on the top with the cover plate you previously removed.
15. Add covers to the screw holes and hinge pivot.



Leveling Feet

To avoid vibration, the unit must be leveled.

If required, adjust the leveling screws to compensate for the uneven floor

The front should be slightly higher than the rear to aid in door closing. Leveling screws can be turned easily by tipping the cabinet slightly.

Turn the leveling screws counterclockwise  to raise the unit, clockwise  to lower it.

Moving The Appliance

1. Remove all food from inside the appliance.
2. Pull the power plug out, insert, and fix it into the power plug hook at the rear or on top of the appliance.
3. Tape parts such as shelves and door handle to prevent them from falling off while moving the appliance.
4. Move the appliance with more than two people carefully. When transporting the appliance over a long distance, keep the appliance upright.
5. After installing the appliance, connect the power plug to a socket out to switch on the appliance.

ATTENTION

Precautions before operation:

Before making changes, the refrigerator must be disconnected from power.

precautions should be taken to prevent any personal injury.

Changing The Light

- Any replacement or maintenance of the LED lamps is intended to be made by the manufacturer, its service agent or similar qualified person.

Connecting The Appliance

After installing the appliance, connect the power plug into a socket outlet.

ATTENTION

After connecting the power supply cord (or plug) to the outlet, wait 2 or 3 hours before you put food into the appliance. If you add food before the appliance has cooled completely, your food may spoil.

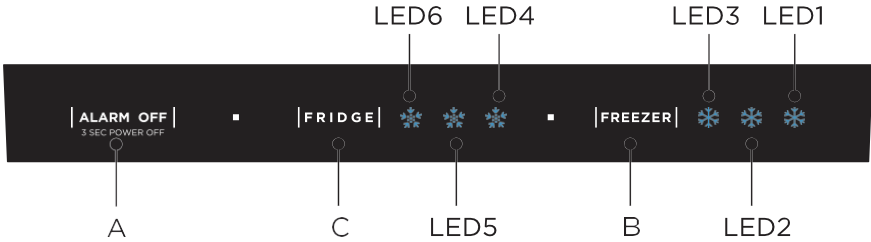
Tips For Energy Saving

- Do not place the appliance near cookers, radiators, or other heat sources. If the ambient temperature is high, the compressor will run more frequently and for longer, resulting in increased energy consumption.
- Ensure that there is sufficient ventilation at the base of the appliance, on the sides of the appliance, and at the back of the appliance. Never cover ventilation openings.
- Please also observe the spacing dimensions in the chapter "Installation".
- The arrangement of drawers, shelves, and racks as shown in the illustration offers the most efficient use of energy and should therefore be retained as far as possible. All drawers and shelves should remain in the appliance to keep the temperature stable and save energy.
- To obtain a larger storage space (e.g., for large refrigerated/frozen goods), the middle drawers can be removed. The top and bottom drawers and shelves should be removed last if necessary.
- An evenly filled refrigerator/freezer compartment contributes to optimal energy use. Therefore, avoid empty or half-empty compartments.
- Allow warm food to cool before placing it in the refrigerator/freezer. Food that has already cooled down increases energy efficiency.
- Allow frozen food to defrost in the refrigerator. The coldness of the frozen food reduces the energy consumption in the refrigerator compartment and thus increases energy efficiency.
- Open the door only as briefly as necessary to minimize cold loss. Opening the door briefly and closing it properly reduces energy consumption.
- The door seals of your appliance must be perfectly intact so that the doors close properly, and energy consumption is not increased unnecessarily.

OPERATION INSTRUCTIONS

Control Panel

Display panel on the top



Key

A	Alarm/power off/power on button
B	Freezer temperature set
C	Refrigerator temperature set

Display

The initial powering up will take 3 seconds. The display will resume normal operation once the boot bell rings. (The refrigerator and freezer will be at a mid-range temperature at the time of initial power-up)

Normally the display will indicate the unit's set temperature range. In the event of a failure, the display will show an error code.

Under normal circumstances, the current set temperature range is displayed, when an "error code visible" level failure occurs, the error code is displayed.

ATTENTION

The actual control panel may differ from model to model.

Operating Instructions

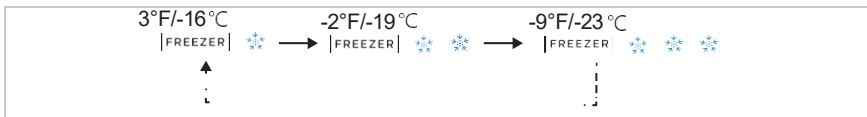
Refrigerator settings

- Press the refrigeration key to adjust the refrigerator's set temperature range, each press of the refrigeration key increases the range by one, the order is as follows:



Freezer settings

- Press the refrigeration key to adjust the freezer's set temperature, each press of the refrigeration key increases the range by one, the order is as follows:



Note: The temperature of each gear is within ± 2 of the set temperature, and the actual situation is slightly different according to the load situation.

Shutting Off Alarm

- When an alarm goes off, press the alarm off key, and the alarm will be muted.

Open Door Alarm

- When the freezer door or refrigerator door opens is open for longer than 120 seconds, the alarm will ring until the freezer door or refrigerator door is closed. Or press the alarm off key to shut off the alarm.

Standby mode

- Press the alarm off key for 3 seconds to enter standby mode, all loads are turned off and the display will turn off. To return to normal function, press the alarm off key for 3 seconds.

Shelf humidity control

- The movement of the paddle to the middle is wet, and the movement of the paddle to both sides is dry.



Error indication

- The following warnings appearing on the display indicate the corresponding malfunction of the refrigerator. Though the refrigerator may still have refrigerator and freezing function with the following errors, the user shall contact a maintenance specialist for maintenance, so as to ensure the normal use of the refrigerator.

Error Code	Error Description
LED1/LED2 flashing	Refrigerator temperature sensor error
LED1/LED5 flashing	Freezer temperature sensor error
LED1/LED3 flashing	Freezing frost sensor error
LED2/LED4flashing	Communication error
LED1/LED4 flashing	Ambient temperature sensor error

If you have checked the table on the previous page and find that you still need help with your appliance, visit <https://summitappliance.com/support> or call our Customer Service facility at **800-932-4267** between 9:00 AM and 5:00 PM ET. We will do our best to answer your questions.

Tips on storing food

Freezer compartment

- The freezer is designated for the storage of food frozen at very low temperature, long-term storage of frozen food, and for the production of ice.
- Only use the shelves in the door of the freezer to store frozen food, not for storing hot food designated for freezing.
- Do not put fresh and frozen food next to each other. The frozen food may thaw.
- When freezing fresh food (such as meat, fish or chopped meat), cut them into parts that can be used at the same time.
- Storing frozen food: instructions are usually stated on the packages, which must be followed. If there is no information on the packaging, food should not be stored for longer than three months from the date of purchase.
- When purchasing frozen food, make sure that it was frozen at a suitable temperature and that the packaging is not damaged.
- Frozen food should be kept in suitable packages to retain the quality and should be returned to the freezer compartment as soon as possible.
- If a package of frozen food shows moisture or abnormal bulging, it is probable that it was stored at the wrong temperature and the content is spoiled.
- The storage period for frozen food depends on the room temperature, the thermostat setting, the frequency of opening the door of the freezer, the type of food and the time of transporting the product from the shop to the household. Always follow the instructions printed on the packaging and never exceed the maximum storage time stated on the package.

Refrigerating compartment

- To reduce moisture and subsequent ice build-up, never put liquid into the refrigerator in unsealed containers. Frost tends to concentrate in the coolest parts of the evaporator. Storing uncovered liquids results in a more frequent need for defrosting.
- Never put warm foods in the refrigerator. These should first cool down at room temperature and then be placed inside the refrigerator to ensure adequate air circulation in the refrigerator.
- Foods or food containers should not touch the back wall of the refrigerator because they could freeze and stick to the wall. Do not keep regularly opening the door of the refrigerator.
- Meat and clean fish (packed in a package or plastic foil) can be placed in the refrigerator, which can be used in 1–2 days.
- Fruit and vegetables without packaging can be placed in the part designated for fresh fruit and vegetables.

ATTENTION

The optimal temperature setting of each compartment depends on the ambient temperature. Above optimal temperature is based on the ambient temperature of 77°F (25 °C).

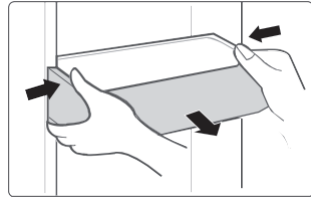
CLEANING AND MAINTENANCE

Defrosting

- The refrigerator is made based on the air-cooling principle and thus has an automatic defrosting function. Frost is formed due to a change in season or temperature, it can be manually removed by disconnecting the appliance from the power supply or by wiping it with a dry towel.

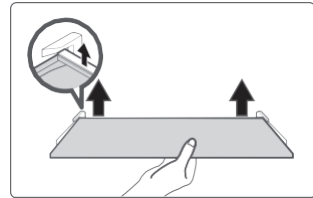
Cleaning of door tray

- According to the direction arrow in the figure to the right, use both hands to squeeze the tray, and push it upward, then you can take it out.
- After removing the tray and cleaning it, you can adjust its height during installation in accordance with your requirement.



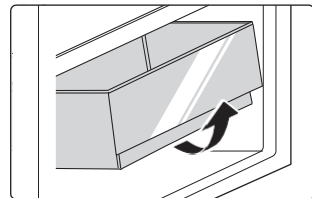
Cleaning of glass shelf

- At the innermost part of the refrigerator liner where the shelves have a backstop, you can raise the shelf upward, then pull them towards you to remove them.
- Adjust or clean the shelves according to your requirement.



Cleaning the vegetable drawer

1. Remove the contents of the drawer. Hold the handle of the vegetable drawer and pull it out completely until it stops.
2. Lift the vegetable drawer up and remove it by pulling it out.



NOTE:

Soft towels or sponges dipped in water and non-corrosive neutral detergents are suggested for cleaning. The freezer should be cleaned with clean water and dry cloth. Open the door for natural drying before the power is turned on. Do not use hard brushes, clean steel balls, wire brushes, abrasives such as toothpaste, organic solvents (such as alcohol, acetone, banana oil, etc.), boiling water, acid, or alkaline items because they may damage the refrigerator surface, and interior.

Maintenance

Power failure:

In case of power failure, even if in summer, the food inside the appliance can be kept for several hours; during the power failure, the times of door opening shall be reduced, and no more fresh food shall be put into the appliance.

Long-time nonuse:

The appliance shall be unplugged and then cleaned; then the doors are left open to prevent odor.

Moving:

Before the refrigerator is moved, remove all objects from inside the refrigerator, fix the glass partitions, vegetable holder, freezing chamber drawers, etc. with tape, and tighten the leveling feet; close the doors and seal them with tape. During moving, the appliance shall not be laid upside down or horizontally or be vibrated; the inclination during movement shall be no more than 45°.

ATTENTION

The appliance shall run continuously once it is started. Generally, the operation of the appliance should not be interrupted; otherwise, the service life may be impaired.

Foods can be preserved for a couple of hours even in summer in case of power failure; it is recommended to reduce the frequency of opening the doors.

TROUBLESHOOTING

The following simple issues can be handled by the user. Please call the after-sale service department if the issues are not solved.

PROBLEM	POSSIBLE CAUSE
Failed operation	<ul style="list-style-type: none"> • Check whether the appliance is connected to power or whether the plug is in good contact
	<ul style="list-style-type: none"> • Check if the voltage is too low
	<ul style="list-style-type: none"> • Check if there has been a power failure or if partial circuits have tripped
Odor	<ul style="list-style-type: none"> • Odorous foods should be tightly wrapped
	<ul style="list-style-type: none"> • Check if there are any rotten food
	<ul style="list-style-type: none"> • Clean the inside of the refrigerator
The compressor runs for too long	<ul style="list-style-type: none"> • The refrigerator running longer is common during the summer
	<ul style="list-style-type: none"> • If the ambient temperature is high, it is not recommended to store too much food in the appliance at the same time
	<ul style="list-style-type: none"> • Food should cool down before being put into the appliance
	<ul style="list-style-type: none"> • The doors are being opened too frequently
Light fails to get lit	<ul style="list-style-type: none"> • Check whether the refrigerator is connected to the power supply and whether the illuminating light is damaged
	<ul style="list-style-type: none"> • Have the light replaced by a specialist
The door cannot close properly	<ul style="list-style-type: none"> • The door is jammed because of food packages. There is too much food in the unit.
	<ul style="list-style-type: none"> • The refrigerator is tilted.
Loud noises	<ul style="list-style-type: none"> • Check if the floor is leveled and if the refrigerator is stable.
	<ul style="list-style-type: none"> • Check if accessories are placed at the proper locations

Problem	Possible reason
The door seal is not tight	<ul style="list-style-type: none"> • Remove any debris or obstruction from the door seal • Heat the door seal and then cool it for restoration (Blow on it with an electric hair drier or use a hot towel for heating)
Water Pan Overflows	<ul style="list-style-type: none"> • There is too much food in the chamber or food stored contains too much water, resulting in heavy defrosting • The doors are not closed properly, resulting in frosting due to the entry of air and increased water due to defrosting
The unit is hot to the touch	<ul style="list-style-type: none"> • Heat dissipation of the built-in condenser via the housing, which is normal when housing becomes hot due to high ambient temperature, storage of too much food, or shutdown of the compressor. Provide sufficient ventilation to facilitate heat dissipation
Surface condensation	<ul style="list-style-type: none"> • Condensation on the exterior surface and door seals of the refrigerator is normal when the ambient humidity is too high. Just wipe the condensate with a clean towel.
Abnormal noises	<ul style="list-style-type: none"> • Buzz: The compressor may produce a buzzing sound during operation. They are loud, particularly upon start or stop, this is normal. • Creak: Refrigerant flowing inside of the appliance may produce creaking sounds, which is normal.

If you have checked the table on the previous page and find that you still need help with your appliance, visit <https://summitappliance.com/support> or call our Customer Service facility at **800-932-4267** between 9:00 AM and 5:00 PM ET. We will do our best to answer your questions.

NOTES

LIMITED WARRANTY

ONE-YEAR LIMITED WARRANTY

Within the 48 contiguous United States, for one year from the date of purchase, when this appliance is operated and maintained according to instructions attached to or furnished with the product, warrantor will pay for factory-specified parts and repair labor to correct defects in materials or workmanship. Service must be provided by a designated service company. Outside the 48 states, all parts are warranted for one year from manufacturing defects. Plastic parts, shelves and cabinets are warranted to be manufactured to commercially acceptable standards and are not covered from damage during handling or breakage.

FIVE-YEAR COMPRESSOR WARRANTY

1. The compressor is covered for five years.
2. Replacement does not include labor.

ITEMS WARRANTOR WILL NOT PAY FOR:

1. Service calls to correct the installation of your appliance, to instruct you how to use your appliance, to replace or repair fuses, or to correct wiring or plumbing.
2. Service calls to repair or replace appliance light bulbs or broken shelves. Consumable parts (such as filters) are excluded from warranty coverage.
3. Damage resulting from accident, alteration, misuse, abuse, fire, flood, acts of God, improper installation, installation not in accordance with electrical or plumbing codes, or use of products not approved by warrantor.
4. Replacement parts or repair labor costs for units operated outside the United States.
5. Repairs to parts or systems resulting from unauthorized modifications made to the appliance.
6. The removal and reinstallation of your appliance if it is installed in an inaccessible location or is not installed in accordance with published installation instructions.

DISCLAIMER OF IMPLIED WARRANTIES; LIMITATION OF REMEDIES

CUSTOMER'S SOLE AND EXCLUSIVE REMEDY UNDER THIS LIMITED WARRANTY SHALL BE PRODUCT REPAIR AS PROVIDED HEREIN. IMPLIED WARRANTIES, INCLUDING WARRANTIES OF MERCHANTABILITY OR FITNESS FOR A PARTICULAR PURPOSE, ARE LIMITED TO ONE YEAR. WARRANTOR SHALL NOT BE LIABLE FOR INCIDENTAL OR CONSEQUENTIAL DAMAGES. SOME STATES DO NOT ALLOW THE EXCLUSION OR LIMITATION OF INCIDENTAL OR CONSEQUENTIAL DAMAGES, OR LIMITATIONS ON THE DURATION OF IMPLIED WARRANTIES OF MERCHANTABILITY OR FITNESS, SO THESE EXCLUSIONS OR LIMITATIONS MAY NOT APPLY TO YOU. THIS WARRANTY GIVES YOU SPECIFIC LEGAL RIGHTS AND YOU MAY ALSO HAVE OTHER RIGHTS, WHICH VARY FROM STATE TO STATE.



WARNING: This product can expose you to chemicals including lead, which is known to the State of California to cause cancer, and bisphenol A (BPA) and lead which are known to the state of California to cause birth defects or other reproductive harm.

For more information go to www.P65Warnings.ca.gov

FELIX STORCH, INC.
770 Garrison Avenue
Bronx, NY 10474
Phone: (718) 893-3900
Fax: (844) 478-8799
www.summitappliance.com

SUMMIT

For parts and accessory orders,
troubleshooting, and helpful hints, visit:
www.summitappliance.com/support