

CRAFTSMAN®

INSTRUCTION MANUAL | GUIDE D'UTILISATION | MANUAL DE INSTRUCCIONES

5 GALLON (18 LITERS) ASH VACUUM

**ASPIRATEUR POUR RAMASSER DES CENDRES
DE 18 LITRES (5 GALLONS)**

ASPIRADORA DE CENIZA DE 18 LITROS (5 GALONES)

CMXEVB175850



**IF YOU HAVE QUESTIONS OR COMMENTS, CONTACT US.
POUR TOUTE QUESTION OU TOUT COMMENTAIRE, NOUS CONTACTER.
SI TIENE DUDAS O COMENTARIOS, CONTÁCTENOS.**

1-888-331-4569

WWW.CRAFTSMAN.COM

Part No. SP7088

Printed in Mexico

Definitions: Safety Alert Symbols and Words

This instruction manual uses the following safety alert symbols and words to alert you to hazardous situations and your risk of personal injury or property damage.

⚠ DANGER: Indicates a hazardous situation which, if not avoided, will result in death or serious injury.

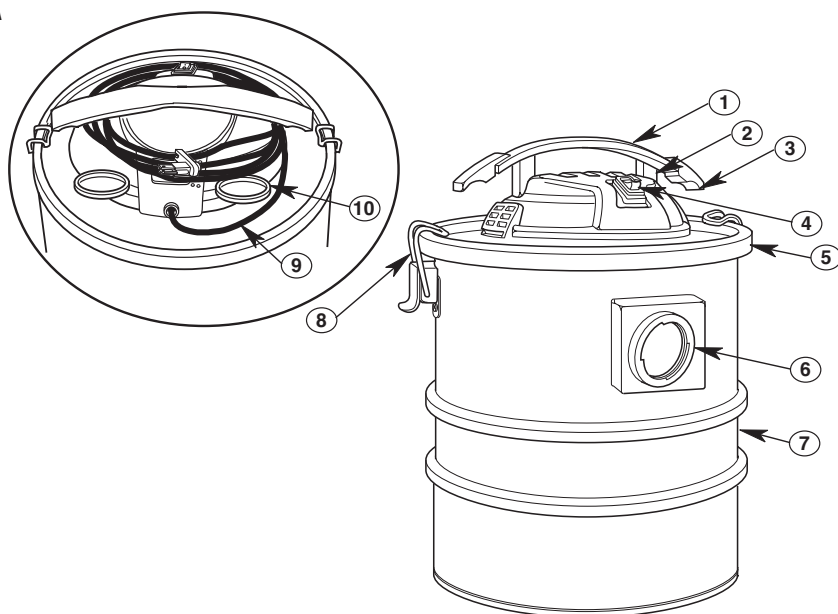
⚠ WARNING: Indicates a hazardous situation which, if not avoided, could result in death or serious injury.

⚠ CAUTION: Indicates a hazardous situation which, if not avoided, may result in minor or moderate injury.

⚠ (Used without word) Indicates a safety related message.

NOTICE: Indicates a practice not related to personal injury which, if not avoided, may result in property damage.

Fig. A



Components

- ① Carry Handle
- ② Cord Wrap Area
- ③ Hose Wrap Area
- ④ ON/OFF Switch
- ⑤ Powerhead Assembly
- ⑥ Vacuum Inlet Port
- ⑦ Drum
- ⑧ Drum Latches (2)
- ⑨ Power Cord
- ⑩ Accessory Storage Slots (2)

⚠ WARNING: Read all safety warnings and all instructions. Failure to follow the warnings and instructions may result in electric shock, fire and/or serious injury.

⚠ WARNING: Never modify the product or any part of it. Damage or personal injury could result.

⚠ WARNING: To reduce the risk of injury, read the instruction manual.

If you have any questions or comments about this or any product, call CRAFTSMAN toll free at: **1-888-331-4569.**

IMPORTANT SAFETY INSTRUCTIONS

When using this Vacuum, always follow basic safety precautions including the following:

⚠ WARNING:

To reduce the risk of fire, electric shock, or injury:

This vacuum is intended to pick up COLD ash from fireplaces, grills, ovens, ashtrays, etc. Read and understand this manual and all labels on this Ash Vacuum before operating.

- Read and understand this manual and all labels on the Vacuum before operating.
- Use only as described in this manual.
- Do not pick up anything that is burning or smoking, like cigarettes, matches or hot, glowing, or burning embers. Pick up cold ash only. Be aware that ash/embers can be hot for days after use.
- Use caution when vacuuming materials that appear to have cooled, but may actually be hot inside. First check for hot spots by raking through the ashes/coins. Air flow created during vacuuming may cause hot ash to re-ignite. As you vacuum, constantly check the nozzle, hose, drum, and motor for excessive temperatures. If you notice an increase in temperature, turn off the vacuum immediately. Unplug the vacuum and remove the vacuumed material from the drum.
- The drum must be emptied and cleaned after each use, and before picking up other household debris.
- Allow the vacuum to cool before storage, especially enclosed storage.
- Do not use paper dust bags.
- To reduce the risk of damage from accidental hot ember pickup, do not place the vacuum on surfaces susceptible to heat damage, such as carpeting, vinyl flooring, or wood surfaces.
- Do not leave vacuum running while unattended - you may fail to notice important signs indicating abnormal operation such as loss of suction, or abnormal motor noises. Immediately stop using vacuum if you notice these signs.
- Do not leave vacuum when plugged in. Unplug from outlet when not in use and before servicing.
- Sparks inside the motor can ignite flammable vapors or dust. To reduce the risk of fire or explosion, do not use near combustible liquids, gases, or dusts, such as gasoline or other fuels, lighter fluid, cleaners, oil-based paints, natural gas, coal dust, magnesium dust, grain dust, aluminum dust, or gun powder.
- To reduce the risk of inhaling toxic vapors, do not vacuum or use near toxic or hazardous materials.
- To reduce the risk of electric shock, do not expose to rain or allow liquid to enter motor compartment. Store indoors.
- This Ash Vacuum is not intended for use by persons (including children) with reduced physical, sensory, or mental capabilities, or lack of experience and knowledge, unless they have been given supervision or instruction concerning use of the appliance by a person responsible for their safety.
- Only use extension cords that are intended for outdoor use. Use only three-wire outdoor extension cords that have three-prong grounding plugs and grounding receptacles that accept the vacuum's plug. Extension cords in poor condition or too small in wire size can pose fire and shock hazards. To reduce the risk of these hazards, be sure the cord is in good condition and that liquid does not contact the connection. Do not use an extension cord with conductors smaller than 1,3 mm² (16 AWG) in size.
- Do not use with damaged cord, plug, or other parts. If your Vacuum is not working as it should, has missing parts, has been dropped, damaged, left outdoors, or dropped into water, call customer service at 1-888-331-4569 (Mexico 001-881-331-4569).
- Connect only to a properly-grounded outlet. See grounding instructions
- Do not put any object into ventilation openings. Do not vacuum with any ventilation openings blocked; keep free of dust, lint, hair or anything that may reduce air flow.
- Keep hair, loose clothing, fingers, and all parts of body away from openings and moving parts.
- To reduce the risk of falls, use extra care when cleaning on stairs.
- To reduce the risk of personal injury or damage to Vacuum, use only CRAFTSMAN recommended accessories.
- To reduce the risk of eye injury, wear safety eyewear. The operation of any utility vacuum can result in foreign objects being blown into the eyes, which can result in severe eye damage.
- Do not allow to be used as a toy. Close attention is necessary when used by or near children.
- Turn off Vac before unplugging.
- To reduce the risk of injury from accidental starting, unplug power cord before changing or cleaning filter.
- Do not unplug by pulling on cord. To unplug, grasp the plug, not the cord.
- Do not pull or carry by cord, use cord as handle, close a door on cord, or pull cord around sharp edges or corners. Keep cord away from heated surfaces.

⚠ CAUTION:

- To reduce the risk of hearing damage, wear ear protectors when using for an extended time or in a noisy area.
- For dusty operations, wear dust mask.
- Static shocks are common when the relative humidity of the air is low. Vacuuming fine debris with your Vac can deposit static charge on the hose or Vacuum. To reduce the frequency of static shocks in your home or when using this Vacuum, add moisture to the air with a humidifier.

Observe the following warnings that appear on the Lighted Nozzle.

⚠ WARNING:

- Keep batteries out of reach of small children. Consult a physician immediately if a battery is swallowed; severe burning or injury may occur.
- Battery contains Perchlorate Material - Special handling may apply.
See www.dtsc.ca.gov/hazardouswaste/perchlorate.

Observe the following warnings that appear on the Vacuum.

⚠ WARNING:

Risk of fire and Heat Damage.

This vacuum is intended to pick up COLD ash from fireplaces, grills, ovens, ash-trays, etc. Do not pick up hot, glowing, or burning ash/embers. Pick up cold ash only. Be aware that ash/embers can be hot for days after use. To reduce the risk of damage from accidental hot ember pickup, do not place the vacuum on surfaces susceptible to heat damage such as carpeting, vinyl flooring, or wood surfaces. Empty drum after each use. Allow to cool before storing, especially in enclosed spaces. Do not use dust collection bags.

⚠ WARNING:

- For your own safety, read and understand Instruction Manual.
- Do not run unattended.
- Do not pick up hot ashes, coals, flammable, combustible / self-igniting, toxic, or other hazardous materials.
- Do not use around explosive liquids or vapors.
- To reduce the risk of electric shock, do not use on wet surfaces.
- Do not expose to rain. Store indoors.
- This is a dry vacuum only; NEVER vacuum liquids with this product.

FREE WARNING LABEL REPLACEMENT: If your warning labels become illegible or are missing, call **1-888-331-4569** for a free replacement.

SAVE THESE INSTRUCTIONS



INTRODUCTION

This Ash Vacuum is intended for household use. It may be used for vacuuming of dry debris, including cold ash from fireplaces, grills, ovens, ash-trays, etc. It should not be used to pick up liquids.

Read this Instruction Manual to familiarize yourself with the product features and to understand the specific usage of your new vacuum.

TABLE OF CONTENTS

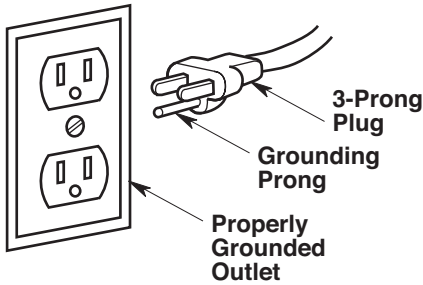
Section	Page	Section	Page
Important Safety Instructions	2-4	Operation	12-13
Introduction	5	Motor / Electrical	12
Grounding Instructions	6	Emptying the Drum	13
Carton Contents	7	Maintenance	14-15
Installation	8-11	HEPA Media Filter	14
Powerhead Assembly	8	Filter Removal and Replacement	14
Powerhead Disassembly	8	Filter Removal	14
Insert Locking Hose	9	Filter Installation	14
Hose Assembly	9	Cleaning a Dry Cartridge Filter	15
LED Lighted Nozzle Usage	10	Cleaning and Disinfecting the Ash Vacuum	15
LED Lighted Nozzle Battery Replacement	10	Cord Maintenance & Storage	15
Power Cord Storage	11	Ash Vacuum Storage	15
Accessory Storage	11	Service / Repair Parts	16
Hose Assembly Storage	11	Warranty	17



GROUNDING INSTRUCTIONS

This Vacuum must be Grounded. If it should malfunction or break down, Grounding provides a path of least resistance for Electric Current to reduce the risk of Electric Shock. This Vacuum is equipped with a Cord having an Equipment-grounding Conductor and Grounding Plug. The Plug must be inserted into an appropriate Outlet that is properly installed and Grounded in accordance with all Local Codes and Ordinances.

Fig. B



⚠ WARNING:

Improper connection of the equipment grounding conductor can result in a risk of electric shock. Check with a qualified electrician or service person if you are in doubt as to whether the outlet is properly grounded. Do not modify the plug provided with the appliance - if it will not fit the outlet, have a proper outlet installed by a qualified electrician.

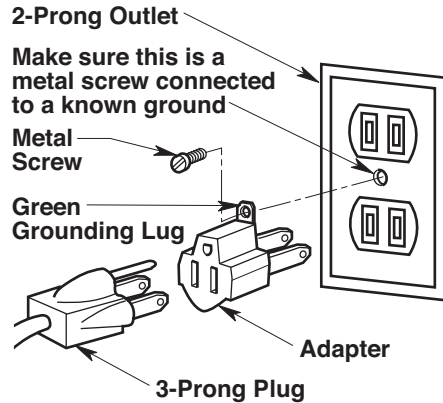
This Vacuum is for use on a nominal 120 Volt Circuit, and has a Grounded Plug that looks like the Plug shown.

A Temporary Adapter that looks like the Adapter shown may be used to connect this Plug to a 2-Pole Receptacle, as shown. If a properly Grounded Outlet is not available, the Temporary Adapter should be used only until a properly Grounded Outlet can be installed by a Qualified Electrician.

The Green Colored Rigid Ear, Lug or the like extending from the Adapter must be connected to a Permanent Ground such as a properly Grounded Outlet Box Cover. Whenever the Adapter is used, it must be held in place by a Metal Screw.

NOTE: In Canada, the Use of a Temporary Adapter is Not Permitted by the Canadian Electrical Code.

Fig. C

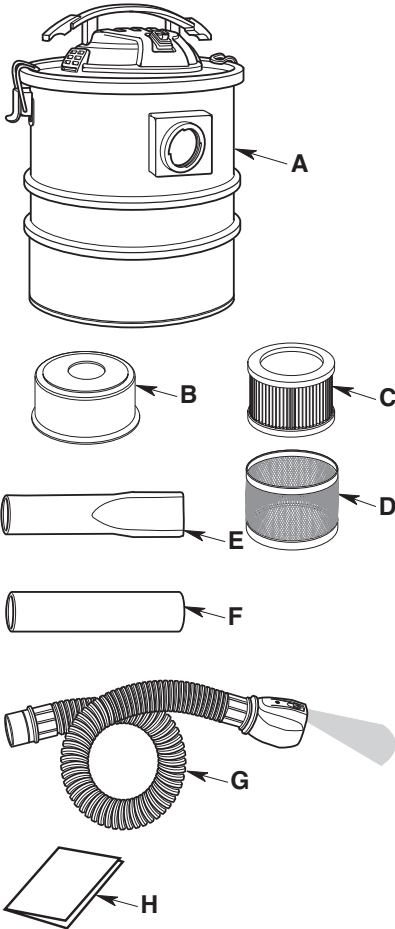


CARTON CONTENTS (Fig. D)

Remove entire contents of carton. Check each item against the Carton Contents List.

If any parts are damaged or missing, return the product to the retailer from which it was purchased for exchange.

Fig. D



Key	Description	Qty.
A	Ash Vacuum (5 Gallon/18 Liters)	1
B	Metal Cover	1
C	HEPA Media Filter	1
D	Filter Screen	1
E	Extension Nozzle	1
F	Wand Nozzle	1
G	Locking Hose (metal lined) with LED Lighted Nozzle	1
H	Instruction Manual	1

Some items may come preassembled.

If they are not present in the carton, check the vacuum powerhead to see if they are preassembled.

INSTALLATION

Powerhead Assembly (Figs. E & F)

1. Line up front of Powerhead Assembly with Vacuum Port located on the front of the Drum, as shown.
2. Place Powerhead Assembly on top of Drum.
3. Be sure Powerhead Assembly completely covers the top of the Drum so leakage does not occur.
4. Rotate the Latches on each side of the Drum, positioning the Latch Hooks over the Lip of the Powerhead Assembly.
5. Snap down the bottom edge of the Latches to secure the Powerhead Assembly to the Drum.

Fig. E

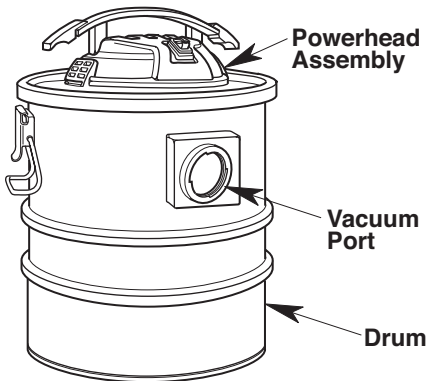
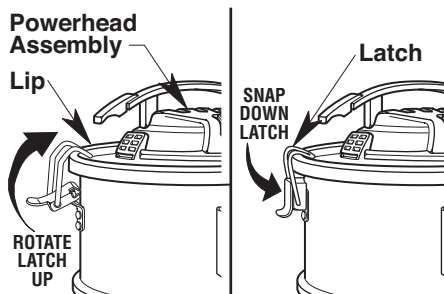


Fig. F



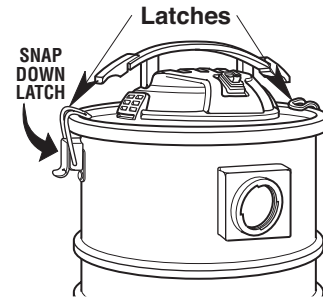
Powerhead Disassembly (Fig. G)

⚠ WARNING:

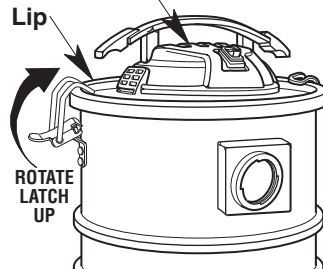
For your own safety, never connect plug to power source outlet until all assembly steps are complete and you have read and understood the safety and operation instructions. Do not operate vacuum with any parts damaged or missing.

1. Grasp the Drum Latches on both the right and left side of the Vacuum.
2. Slowly pull the bottom of the Latches up and away from the Drum.
3. The top of the Latches will then be free of the Powerhead Assembly.
4. Lift the Powerhead Assembly from the Drum and place it on a dry surface.

Fig. G



Powerhead Assembly

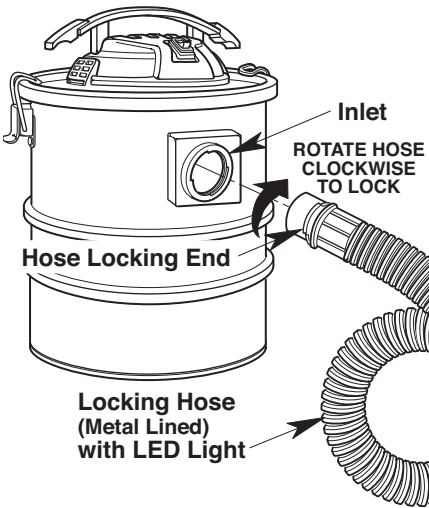


Insert Locking Hose (Fig. H)

NOTE: Use ONLY the Metal Lined Hose and Metal Accessories provided with this Ash Vacuum.

1. Align Hose Tabs with Vacuum Inlet and insert the Locking End of the Hose into the Vacuum Inlet of the Vacuum Drum, as shown.
2. Rotate the Hose clockwise to lock into place.
3. To remove the Hose from the Vacuum, rotate the Locking Hose Counterclockwise and pull the Hose out of the Vacuum Inlet.

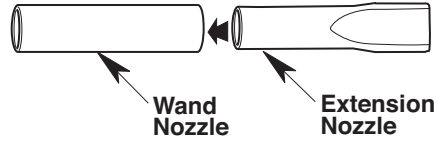
Fig. H



Hose Assembly (Figs. I & J)

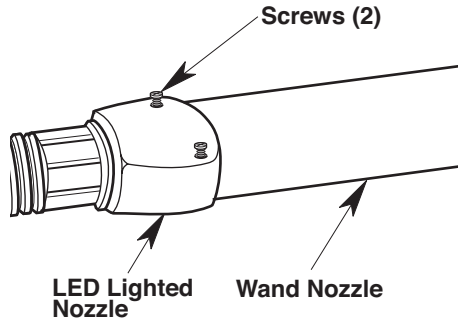
1. Slide the Round End of the Extension Nozzle into the smaller Tapered End of the Wand Nozzle.

Fig. I



2. Loosen the Two LED Assembly Screws, located at the bottom of the LED Lighted Nozzle.
3. Slide the Wand Nozzle through the LED Assembly and into the Rubber Hose Fitting.
4. Retighten the Two LED Assembly Screws to secure the LED Assembly to the Hose Assembly.

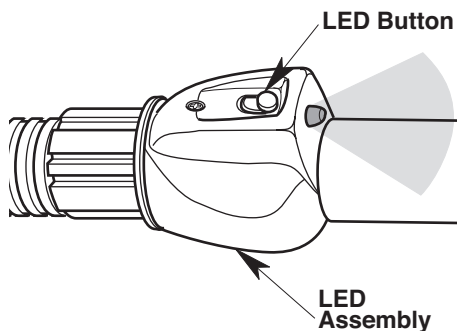
Fig. J



LED Lighted Nozzle Usage (Fig. K)

1. Press Button to activate LED light while Vacuuming.
2. Slide the Switch Forward to Lock the LED Light in the ON position.
3. Slide the Switch Back to the OFF position after use.

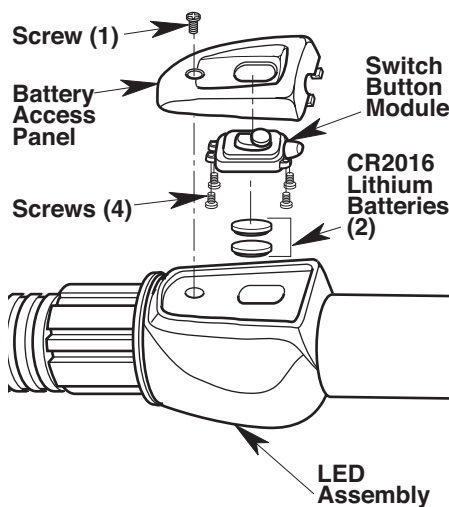
Fig. K



LED Lighted Nozzle Battery Replacement (Fig. L)

1. To access Batteries, remove and retain the Battery Access Panel Screw.
2. Remove and retain the Four Screws from the LED Assembly, releasing the Switch Button Module.
3. The Two Batteries are located under the Switch Button module. Dispose Batteries in the proper waste disposal container.
4. The LED Light uses Two CR2016 Lithium Batteries that are replaceable.
5. Reposition the Switch Button Module over the Battery Compartment. Install the previously removed Four Screws into the Switch Button Module to secure.
6. Reposition the Battery Access Panel over the Switch Button Module. Install the previously removed Screw into the Battery Access Panel to secure.

Fig. L



⚠ WARNING:

Keep batteries out of reach of small children. Consult a physician immediately if a battery is swallowed. Severe burning or injury may occur.

Battery contains Perchlorate Material - Special handling may apply.

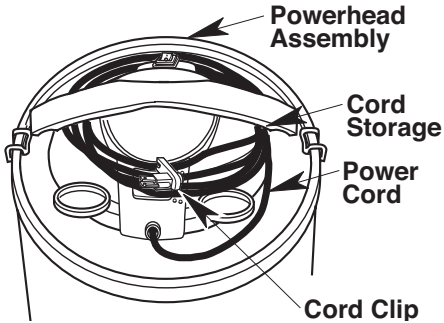
See www.dtsc.ca.gov/hazardouswaste/perchlorate.

Power Cord Storage (Fig. M)

The Power Cord should be wrapped around the Powerhead Assembly Carry Handle.

Snap the Cord Clip onto the Power Cord, to secure in place.

Fig. M



⚠ WARNING:

To prevent serious injury from electrical shock, stop vacuum use immediately if the power cord is damaged. Take the vacuum to a qualified service dealer for inspection and possible repair.

Hose Assembly Storage (Fig. O)

Wrap the Hose around the top of the cooled Powerhead Assembly, positioning the Hose under the Carry Handle/Hose Wrap Area.

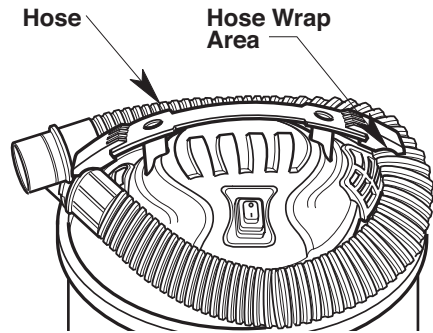
⚠ CAUTION:

Do not operate vacuum while the hose or accessories are stored on the wet/dry vacuum's powerhead assembly.

⚠ WARNING:

Do not put any object into ventilation openings. Do not vacuum with any ventilation openings blocked; keep free of dust, lint, hair or anything that may reduce air flow.

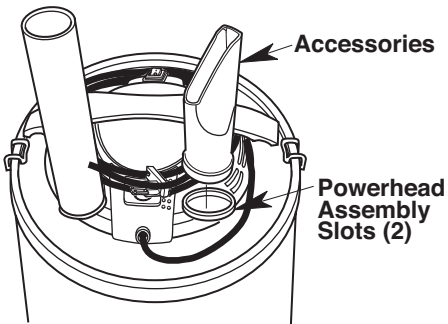
Fig. O



Accessory Storage (Fig. N)

The Accessories can be stored on the rear of the Powerhead Assembly by placing each Accessory into the Powerhead Assembly Slots.

Fig. N



OPERATION

⚠ WARNING:

To reduce the risk of fire, explosion, or damage to Vacuum:

- Do not leave Vacuum running while unattended - you may fail to notice important signs indicating abnormal operation such as loss of suction, debris exiting the exhaust, or abnormal motor noises. Immediately stop using Vacuum if you notice these signs.
- Do not leave Vacuum plugged in when not in use.
- Sparks inside the motor can ignite airborne flammables. Do not operate Vacuum near flammable liquids or in areas with flammable gases, vapors, or explosive / airborne dust. Flammable liquids, gases, and vapors include: lighter fluid, solvent-type cleaners, oil-based paints, gasoline, alcohol, and aerosol sprays. Explosive dusts include: coal, magnesium, aluminum, grain, and gun powder.
- Do not vacuum up explosive dusts, flammable liquids, or hot ashes.
- The drum must be emptied and cleaned after each use, and before picking up other household debris.

⚠ WARNING:

To reduce the risk of electric shock or injury:

- Do not expose to rain or allow liquid to enter motor compartment. Store indoors.
- Do not handle plug, switch, or Vacuum with wet hands.
- Unplug Vacuum before servicing. If your Vacuum is not working as it should, has missing parts, has been dropped, damaged, left outdoors, or dropped into water, call customer service at 1-888-331-4569 (Mexico 001-881-331-4569).
- When using an extension cord, use only outdoor-rated cords that are in good condition. Do not allow the connection to come into contact with liquid.

⚠ CAUTION:

To reduce the risk of hearing damage, wear ear protectors when using the Vacuum for an extended time or in a noisy area.

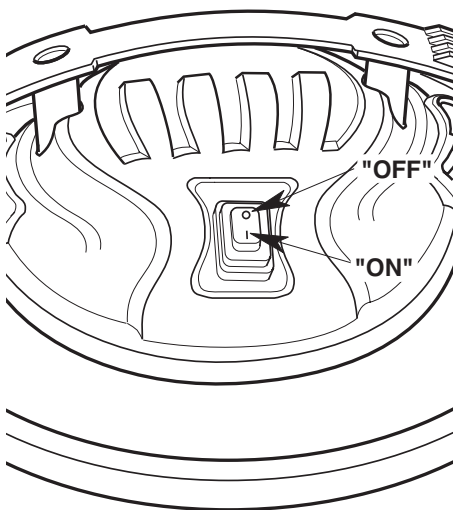
Motor / Electrical (Fig. P)

This Ash Vacuum is rated for use with 120 Volt 60 Hz supply. The Vacuum is equipped with a Thermal Protection Cutoff Switch which will remove Power from the Vacuum Motor if excessively high Operating Temperatures are detected. This condition may arise as the result of a blocked Vacuum passage, or clogged Filter. If a Thermal trip takes place, immediately Toggle the Vacuum's Switch to OFF, Unplug the Unit and inspect for an airflow blockage in the Hose and verify the condition of the Filters (see Maintenance). Clean or replace the Filters as required. The Vacuum will require several minutes to cool down to a safe operating temperature. When this temperature is attained, the Thermal Switch will automatically Reset and the Vacuum will be able to be used in the normal manner.

After you Plug the Power Cord into the Outlet, turn the Unit on by pushing the Switch from position "O" to position "I". The symbols used on the Switch Actuator are International "On & Off" Symbols:



Fig. P



Emptying the Vacuum Drum (Figs. Q & R)

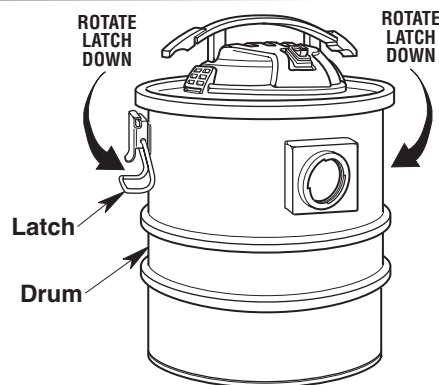
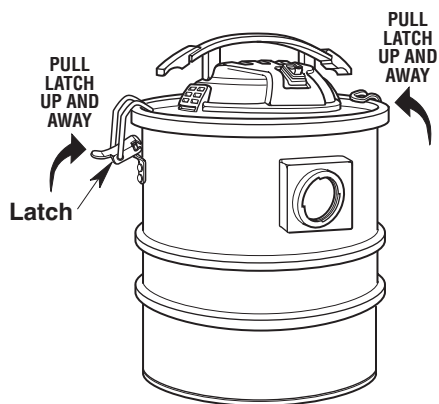
⚠ WARNING:

To reduce the risk of injury from accidental starting, unplug power cord before emptying the vacuum drum.

NOTE: Do not store the Vacuum immediately after Ash removal or other use in a confined area or enclosed space. Allow the Powerhead Assembly to cool and remove Ash from Drum before storage.

1. Grasp the Drum Latches on both sides of the Powerhead Assembly.
2. Slowly Pull Up on the Drum Latches, away from the Drum.
3. The top of the Latches will be free of the Powerhead Assembly.

Fig. Q



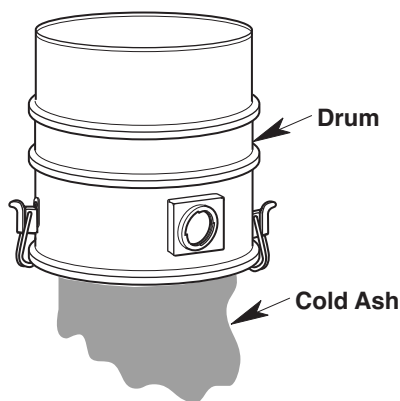
NOTE: Be sure the Ash is cool prior to dumping the contents into the proper waste disposal container.

4. Lift up on the Powerhead Assembly and set it on a clean dry area.
5. Empty the Drum into the proper waste disposal container.
6. Inspect the Filter per the "Filter Removal and Installation" Section of this Manual.
7. Reassemble the Powerhead Assembly to the Drum.

⚠ CAUTION:

To reduce the risk of hearing damage, wear ear protectors when using the Vacuum for an extended time or in a noisy area.

Fig. R



MAINTENANCE

HEPA Media Filter

⚠ WARNING:

To reduce the risk of injury from accidental starting, unplug power cord before changing or cleaning filter.

Your HEPA Media Filter should be cleaned often to maintain peak Vacuum performance.

IMPORTANT: It is very important that the screen filter is installed prior to use.

NOTE: The HEPA Media Filter is made of high quality material designed to stop dust and smaller particles. Handle the HEPA Media Filter carefully when removing to clean or installing a new HEPA Media Filter. Creases in the HEPA Media Filter pleats may occur from installation but creases will not affect the performance of the HEPA Media Filter.

Filter Removal and Installation

Filter Removal (Fig. S):

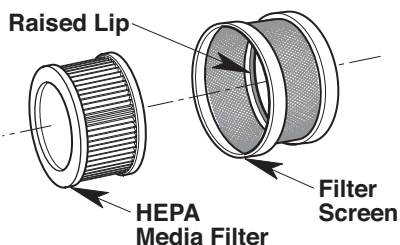
1. Rotate the Filter Screen / HEPA Media Filter Counter-Clockwise.

2. Remove the HEPA Media Filter from the Filter Screen.

NOTE: The Filter Screen should be cleaned with a brush.

3. Check the Motor Inlet Filter, clean or replace, if necessary.

Fig. S



Filter Installation (Fig. T):

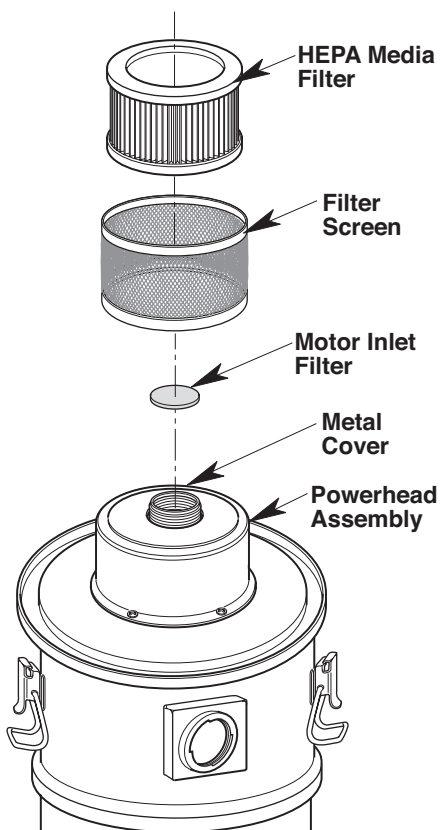
1. Replace Motor Inlet Filter.

2. Replace the HEPA Media Filter into the Filter Screen.

NOTE: Be sure to orient the HEPA Media Filter and the Filter Screen in the correct position, as shown. The Filter Screen has a raised lip on the inside of the Screen to hold it in place.

3. Rotate the Filter Screen/HEPA Media Filter Clockwise onto the Powerhead Metal Cover.

Fig. T



Cleaning A Dry Cartridge Filter

NOTE: For best cleaning results due to accumulated dust, clean the Filter in an open area. Cleaning **SHOULD** be done outdoors and not in the living quarters.

1. Light cleaning of some dry debris from the Filter can be accomplished without removing the Filter from the Vacuum. Simply slap your hand on top of the handle while the Vacuum is turned off.
2. Remove Filter from Vacuum. Gently tap the Filter against the inside wall of your Drum, or against the floor, and the debris will loosen and fall.

Cleaning and Disinfecting the Ash Vacuum

To keep your Vacuum looking its best, clean the outside with a cloth dampened with warm water and mild soap.

To clean the Drum:

1. Dump debris out.
2. Wash the Drum thoroughly with warm water and mild soap.
3. Wipe out with dry cloth.

Cord Maintenance & Storage

When vacuuming is complete, unplug the Power Cord and wrap it around the Powerhead Handle. Accessories can be stored on the rear of the Powerhead Assembly.

⚠️ WARNING:

To prevent serious injury from electrical shock, stop vacuum use immediately if the power cord is damaged. Take the vacuum to a qualified service dealer for inspection and possible repair.

Ash Vacuum Storage

Before storing your Vacuum, the Drum should be emptied and cleaned. The Power Cord should be wrapped around the Carry Handle. Positioning the Hose under the Carry Handle. Accessories should be kept in the same area as the Vacuum so they can be readily available. The Vacuum should be stored indoors.

⚠️ WARNING:

To assure product SAFETY and RELIABILITY, any other maintenance, repairs and adjustments should be performed by Authorized Service Centers, always using CRAFTSMAN replacement parts.

SERVICE / REPAIR PARTS

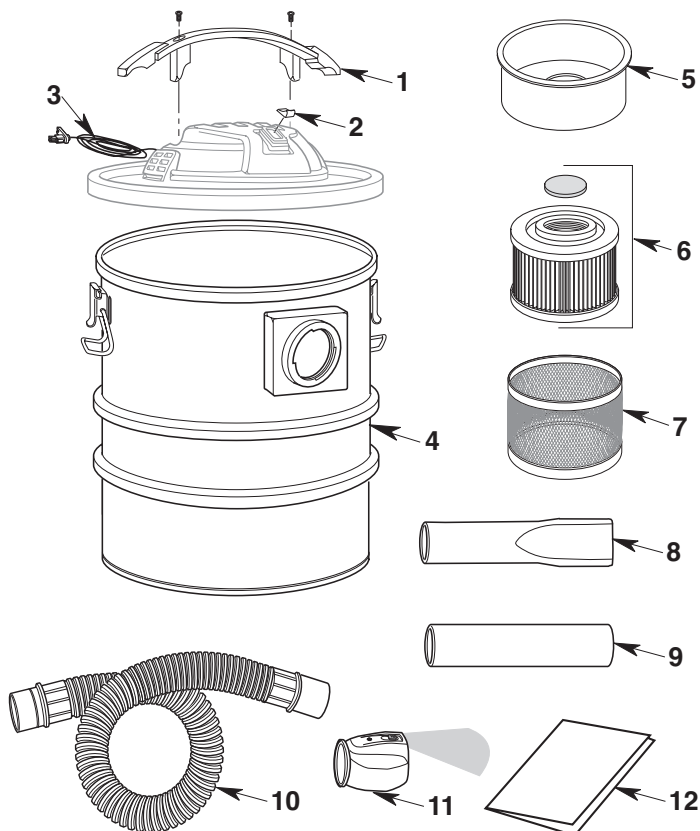
5 Gallon (18 Liter) Ash Vacuum
Model Number CMXEVB175850
Electrical Ratings: 120 V~ 7.6 A 60 Hz

⚠ WARNING: *To reduce the risk of injury, unplug power cord before servicing the Wet/Dry Vacuum.*

⚠ WARNING: *All disassembly and repairs should be performed by qualified personnel.*

Always order by Part Number - Not by Key Number

Key No.	Part No.	Description	Key No.	Part No.	Description
1	836247-3	Handle, Carry	7	836270	Metal Filter Screen
2	836248	Switch, Toggle	8	836276	Metal Extension Nozzle
3	836265	Power Cord	9	836275	Metal Wand Nozzle
4	836506	Drum Assembly (Includes Drum, Drum Inlet, Drum Latches, Carton & Label)	10	836277	Locking Hose (Metal Lined)
5	836257	Metal Cover	11	836279	LED Lighted Nozzle Assembly
6	CMXZVBE38740	HEPA Media Filter w/Motor Inlet Filter	12	SP7088	Instruction Manual



CRAFTSMAN® LIMITED WARRANTY - 3 YEARS

This limited warranty is provided by Emerson Tool Company, a division of Emerson Electric Co., ("We" or "Our" or "Us") to the original consumer owner ("Customer" or "You" or "Your") of the CRAFTSMAN product with which this limited warranty is provided (the "CRAFTSMAN Product").

What is Covered

We warrant to You that your CRAFTSMAN Product will be free from defects in materials and workmanship when used under normal conditions in accordance with the terms of the Instruction Manual provided to You with the CRAFTSMAN Product, subject to the exclusions described below, for a period of three years commencing on the date of purchase by You (the "Warranty Period"). This limited warranty terminates if the original purchaser transfers the CRAFTSMAN Product to any other person or entity.

What is not Covered

This limited warranty does not extend to and expressly excludes:

- Normal wear and tear and/or replacement attachments or accessories, including, without limitation, power cords, hoses, filters, and other attachments or accessories that may be offered for sale by Us for use with the CRAFTSMAN Product.
- Damage or burnout of the CRAFTSMAN Product motor resulting from failure to clear a blockage occurring during the normal course of use.
- Loss or damage to the CRAFTSMAN Product resulting from conditions beyond Our control including without limitation, misuse, accident, abuse, neglect, negligence (other than Our's), overuse beyond intended capacity as set forth in the Instruction Manual, or modifications or alterations made by anyone other than Us.
- Loss or damage to the CRAFTSMAN Product resulting from failure to use the CRAFTSMAN Product in accordance with the written instructions, guidelines, and terms and conditions set forth in the Instruction Manual.
- TO THE EXTENT PERMITTED BY LAW, IN NO EVENT SHALL WE BE LIABLE FOR ANY INCIDENTAL, SPECIAL, INDIRECT, OR CONSEQUENTIAL DAMAGES, INCLUDING ANY ECONOMIC LOSS, WHETHER RESULTING FROM NONPERFORMANCE, USE, MISUSE OR INABILITY TO USE THE CRAFTSMAN PRODUCT OR FOR THE NEGLIGENCE OF ETC.

How to Obtain Service

US and Canada - To obtain warranty benefits contact us toll free at 1-888-331-4569 (Mexico 001-881-331-4569). We will direct you to the nearest service center to review your vacuum for inspection, repairs or replacement.

Mexico - To obtain warranty benefits contact us toll free at 001-881-331-4569. We will direct you to the nearest service center to review your vacuum for inspection, repairs or replacement.

No Other Express Warranty Applies

This limited warranty is the sole and exclusive warranty provided to You. No other express warranty, written or verbal, applies including, WITHOUT LIMITATION, WARRANTIES OF MERCHANTABILITY OR FITNESS FOR A PARTICULAR PURPOSE. No employee, agent, dealer, or other person is authorized to alter this limited warranty or make any other warranty on behalf of Us.

What We will do to Correct Problems

YOUR SOLE AND EXCLUSIVE REMEDY UNDER THIS LIMITED WARRANTY SHALL BE LIMITED TO REPAIR, REPLACEMENT, REFUND OF THE CRAFTSMAN PRODUCT.

After You have contacted CRAFTSMAN Product Customer Service Department, We will initiate warranty proceedings, including a physical inspection, subject to the exclusions and the Warranty Period stated herein, to determine whether to repair or replace the CRAFTSMAN Product or provide You with a refund.

The decision to repair or replace your CRAFTSMAN Product or to provide a refund is at Our sole discretion. Repair or replacements provided to You by ETC are at no cost to You if covered under this limited warranty.

If we are unable to provide You with a suitable repaired or replacement CRAFTSMAN Product, we will provide you with a refund equal to the purchase price of your CRAFTSMAN Product or a credit to be used toward the purchase of a new CRAFTSMAN Product.

In the event of any dispute between CUSTOMER AND US, either party may choose to resolve the dispute by binding arbitration. THIS MEANS IF EITHER CUSTOMER OR US CHOOSE BINDING ARBITRATION, NEITHER PARTY SHALL HAVE THE RIGHT TO LITIGATE SUCH CLAIM IN COURT OR HAVE A JURY TRIAL. DISCOVERY AND APPEAL RIGHTS ARE LIMITED.

This limited warranty gives you specific legal rights, and you may also have other rights, which vary from State to State. Some states do not allow the exclusion of incidental or consequential damages, so the above limitation may not apply.



CRAFTSMAN®

is a registered trademark of Stanley Black & Decker, Inc., used under license.
es una marca registrada de Stanley Black & Decker, Inc., utilizada bajo licencia.
est une marque déposée de Stanley Black & Decker, Inc., utilisée sous licence.

© 2019 CRAFTSMAN

Product Manufactured by:	EMERSON TOOL COMPANY
Producto fabricado por:	8100 W. Florissant • St. Louis, MO 63136
Produit fabriqué par :	U.S. & Canada Only • É.-U. et Canada seulement • EE.UU. y Canadá solamente

Part No. SP7088

Form No. SP7088-2

Printed in Mexico 10/2019



Définitions : Termes et symboles d'alertes de sécurité

Ce Guide d'utilisation utilise les termes et symboles d'alertes de sécurité suivants pour vous prévenir en cas de situations dangereuses et de risque de blessures ou de dommages matériels.

⚠ DANGER : Indique une situation dangereuse imminente qui, si elle n'est pas évitée, causera la mort ou une blessure grave.

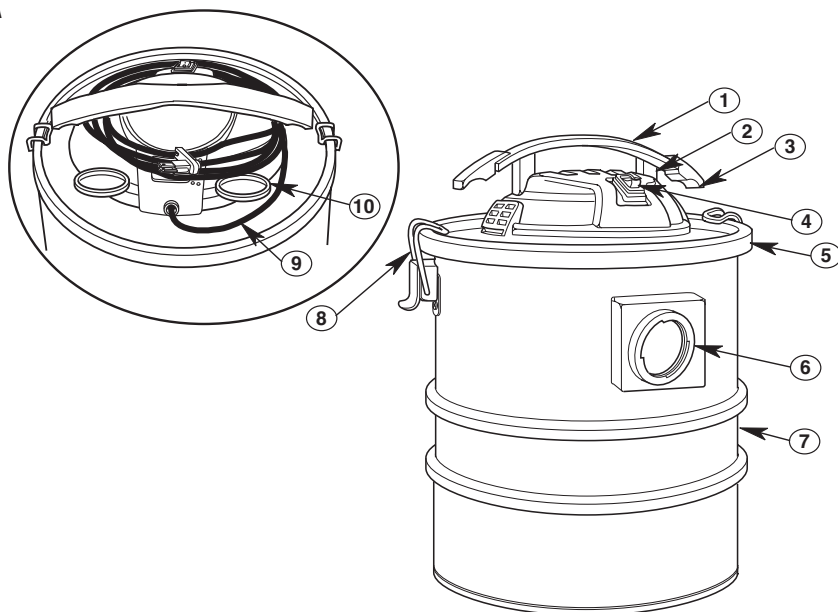
⚠ AVERTISSEMENT : Indique une situation pouvant être dangereuse qui, si elle n'est pas évitée, risque de causer la mort ou une blessure grave.

⚠ MISE EN GARDE : Indique une situation dangereuse qui, si elle n'est pas évitée, pourrait causer une blessure mineure ou modérée.

⚠ (Utilisé sans terme) Indique un message relatif à la sécurité.

AVIS : Indique une pratique non associée à un risque de blessure qui, si l'on n'en tient pas compte, pourrait causer des dommages matériels.

Fig. A



Composants

- ① Poignée de transport
- ② Aire d'enroulement du cordon
- ③ Aire d'enroulement du tuyau
- ④ Interrupteur de MARCHÉ/ARRÊT
- ⑤ Ensemble de bloc-moteur
- ⑥ Orifice d'admission de l'aspirateur
- ⑦ Tambour
- ⑧ Loquet de verrouillage du tambour (2)
- ⑨ Cordon d'alimentation
- ⑩ Emplacements de rangement des accessoires (2)

⚠ AVERTISSEMENT : Lisez tous les avertissements relatifs à la sécurité et toutes les instructions associées. Le non-respect des avertissements et des instructions pourrait causer un choc électrique, un incendie et/ou des blessures graves.

⚠ AVERTISSEMENT : Ne modifiez jamais le produit ou toute partie de celui-ci. Ceci pourrait causer une blessure ou des dommages matériels.

⚠ AVERTISSEMENT : Pour réduire le risque de blessure, lisez le Guide d'utilisation.

En cas de questions ou de commentaires au sujet de ce produit ou de tout autre produit, téléphonez à CRAFTSMAN au numéro suivant (appel gratuit) : 1-888-331-4569.

INSTRUCTIONS IMPORTANTES RELATIVES À LA SÉCURITÉ

Des précautions de sécurité élémentaires doivent être prises lors de l'utilisation de cet aspirateur, notamment les précautions suivantes :

⚠ AVERTISSEMENT :

Pour réduire le risque d'incendie, de choc électrique ou de blessure:

Cet aspirateur a été conçu pour ramasser des cendres FROIDES de cheminées, de grils, de fours, de cendriers, etc. Lisez et comprenez ce mode d'emploi et toutes les étiquettes figurant sur cet aspirateur pour ramasser des cendres avant de commencer à vous en servir.

- Lisez et comprenez ce manuel et toutes les étiquettes placées sur l'aspirateur avant de mettre celui-ci en marche.
- N'utilisez l'aspirateur que comme cela est décrit dans ce mode d'emploi.
- Ne ramassez aucun débris qui est en train de brûler ou de se consumer, comme des cigarettes, des allumettes ou des braises très chaudes, luisantes ou en train de brûler. Ne ramassez que des cendres froides. Sachez que des cendres/braises peuvent rester très chaudes pendant plusieurs jours après avoir brûlé.
- Faites très attention lorsque vous aspirez des matières qui semblent s'être refroidies mais dont l'intérieur risque toujours d'être très chaud. Commencez par vous assurer qu'il ne reste pas de matières encore chaudes en raclant les cendres/le charbon. Le mouvement de l'air causé par l'aspiration peut remettre le feu aux cendres encore chaudes. Pendant que vous aspirez, inspectez constamment le suceur, le tuyau flexible, le tambour et le moteur pour vous assurer que la température n'est pas excessive. Si vous constatez une élévation de la température, éteignez immédiatement l'aspirateur. Débranchez l'aspirateur et retirez les débris aspirés se trouvant dans le tambour.
- Le tambour doit être vidé et nettoyé après chaque utilisation, et avant de commencer à ramasser d'autres déchets ménagers.
- Laissez l'aspirateur refroidir avant de le ranger, tout particulièrement s'il est rangé dans un espace clos.
- N'utilisez pas de sacs à poussière en papier.
- Pour réduire le risque de dommages pouvant être causés par le ramassage accidentel de braises chaudes, ne placez pas l'aspirateur sur des surfaces exposées à des dommages causés par la chaleur, comme de la moquette, un sol en vinyle ou une surface en bois.
- Ne laissez pas l'aspirateur en marche sans surveillance – vous risqueriez de ne pas remarquer des signes importants indiquant un fonctionnement anormal, comme une perte de puissance d'aspiration ou des bruits anormaux provenant du moteur. Cessez immédiatement d'utiliser l'aspirateur si vous constatez de tels signes.
- Ne laissez pas l'aspirateur sans surveillance quand il est branché dans une prise de courant. Débranchez-le de la prise quand il n'est pas utilisé et avant toute opération de maintenance.
- Des étincelles à l'intérieur du moteur risquent de mettre feu à des vapeurs ou poussières inflammables. Pour réduire le risque d'incendie ou d'explosion : n'utilisez pas à proximité de gaz ou de liquides inflammables ou combustibles, ou de poussières explosives, comme de l'essence automobile ou d'autres fiouls, de l'essence à briquet, des produits de nettoyage, de la peinture à l'huile, du gaz naturel, de la poussière de charbon, de la poussière de magnésium, de la poussière de céréales, de la poussière d'aluminium ou de la poudre.

- Pour réduire le risque d'inhalation de vapeurs toxiques, n'aspirez pas de matériaux toxiques ou dangereux, et n'utilisez pas à proximité de tels matériaux.
- Pour réduire le risque de choc électrique, n'exposez pas à la pluie et empêchez l'entrée de liquides dans le compartiment du moteur. Rangez à l'intérieur.
- Cet aspirateur pour ramasser des cendres n'est pas conçu pour emploi par des personnes (y compris des enfants) ayant des capacités physiques, sensorielles ou mentales réduites, ou qui n'ont pas l'expérience ou les connaissances nécessaires, sauf en cas de supervision ou d'instructions sur l'utilisation de cet appareil par une personne responsable de leur sécurité.
- N'utilisez que des cordons de rallonge conçus pour un emploi à l'extérieur. Utilisez seulement des fils de rallonge pour extérieur à trois conducteurs ayant des fiches à trois broches et des prises de mise à la terre compatibles avec la fiche de l'aspirateur. Les cordons de rallonge en mauvais état ou dont les diamètres sont trop petits peuvent poser des risques d'incendie et de choc électrique. Pour réduire le risque de survenance de tels problèmes, vérifiez que le cordon est en bon état et qu'aucun liquide ne puisse entrer en contact avec la connexion. N'utilisez pas de cordon de rallonge avec des conducteurs de moins de 1,3 mm² (calibre 16 AWG) de diamètre.
- N'utilisez pas l'aspirateur avec une fiche, un cordon ou un autre composant endommagé. Si votre aspirateur ne fonctionne pas comme il faut, s'il manque des pièces, s'il quelqu'un l'a laissé tomber, s'il est endommagé, s'il a été laissé à l'extérieur ou s'il est tombé dans de l'eau, téléphonez au service d'assistance à la clientèle au 1-888-331-4569 (au Mexique 001-888-331-4569).
- Raccordez à une prise de courant correctement mise à la terre. Voir instructions relatives à la mise à la terre.
- Ne mettez aucun objet dans les orifices de ventilation. N'aspirez pas quand de quelconques orifices de ventilation sont obstrués; assurez-vous que ces orifices ne sont pas bloqués par de la poussière, de la peluche, des cheveux ou de quelconques objets pouvant réduire la circulation de l'air.
- Gardez les cheveux, les vêtements flottants, les doigts et toutes les parties du corps à distance des orifices et des pièces mobiles.
- Pour réduire le risque de chute, faites très attention lorsque vous utilisez l'aspirateur dans des escaliers.
- Pour réduire le risque de blessure corporelle ou d'endommagement de l'aspirateur, n'utilisez que des accessoires compatibles avec la marque CRAFTSMAN.
- Pour réduire le risque de blessure pour les yeux, portez des lunettes de sécurité. L'utilisation de toute soufflante ou de tout aspirateur utilitaire peut toujours causer la projection de corps étrangers dans les yeux, ce qui risque d'entraîner des blessures graves aux yeux.
- Ne laissez pas les enfants se servir de l'aspirateur comme d'un jouet. Il faut surveiller de très près quand il est utilisé par des enfants ou à proximité d'enfants.
- Éteignez l'aspirateur avant de le débrancher.
- Pour réduire le risque de blessure pouvant être causée par une mise en marche accidentelle, débranchez le cordon d'alimentation avant de changer le filtre ou de le nettoyer.
- Ne débranchez pas en tirant sur le cordon. Pour débrancher, saisissez la fiche – pas le cordon.
- Ne tirez pas l'aspirateur et ne le portez pas par son cordon, n'utilisez pas le cordon pour servir de poignée, ne fermez pas une porte sur le cordon et ne laissez pas le cordon tendu passer sur des bords ou des coins tranchants. Maintenez le cordon à distance des surfaces chauffées.

MISE EN GARDE :

- Pour réduire le risque de dommages auditifs, portez des protège-oreilles lorsque vous utilisez l'aspirateur pendant une période prolongée ou dans une zone bruyante.
- Portez un masque antipoussières en cas d'utilisation dans un environnement poussiéreux.
- Les décharges statiques sont fréquentes dans les endroits secs ou lorsque l'humidité relative de l'air ambiant est faible. L'aspiration de débris fins avec votre aspirateur peut déposer une charge statique sur le tuyau ou sur l'aspirateur. La meilleure chose à faire pour réduire la fréquence des décharges statiques chez vous ou lorsque vous utilisez cet aspirateur consiste à ajouter de l'humidité dans l'air avec un humidificateur.

Observez les avertissements suivants qui figurent sur le suceur à éclairage par DEL.

AVERTISSEMENT :

- Gardez les piles hors de la portée des petits enfants. Consultez immédiatement un médecin si une pile est avalée; des brûlures ou blessures graves sont possibles.
- La pile contient du perchlorate – des consignes de manipulation spéciales peuvent s'appliquer. Voir www.dtsc.ca.gov/hazardouswaste/perchlorate.

Observez les avertissements suivants qui figurent sur votre aspirateur :

AVERTISSEMENT :

Risque d'incendie et de dommage causé par la chaleur.

Cet aspirateur a été conçu pour ramasser des cendres FROIDES dans des cheminées, des grils, des fours, des cendriers, etc. Ne ramassez pas de cendres/braises très chaudes, luisantes ou en train de brûler. Ne ramassez que des cendres froides. Sachez que des cendres/braises peuvent rester très chaudes pendant plusieurs jours après avoir brûlé. Pour réduire le risque de dommages pouvant être causés par le ramassage accidentel de braises chaudes, ne placez pas l'aspirateur sur des surfaces exposées à des dommages causés par la chaleur, comme de la moquette, un sol en vinyle ou une surface en bois. Videz le tambour après chaque utilisation. Laissez l'aspirateur refroidir avant de le ranger, tout particulièrement s'il est rangé dans un espace clos. N'utilisez pas de sacs de ramassage de poussière.

AVERTISSEMENT :

- Pour votre propre sécurité, lisez et comprenez le guide d'utilisation.
- Ne laissez pas l'aspirateur en marche sans surveillance.
- Ne ramassez pas de cendres chaudes, de charbon, de matériaux inflammables, combustibles/ auto-inflammables, de matériaux toxiques ou d'autres matériaux dangereux.
- N'utilisez pas cet aspirateur à proximité de vapeurs ou de liquides explosifs.
- Pour réduire le risque de chocs électriques, ne l'utilisez pas sur des surfaces mouillées.
- Ne l'exposez pas à la pluie. Rangez-le à l'intérieur.
- Cet aspirateur ne doit être utilisé que pour ramasser des débris secs; ne l'utilisez JAMAIS pour aspirer des liquides.

REMPLACEMENT GRATUIT DE L'ÉTIQUETTE

D'AVERTISSEMENT : Si vos étiquettes d'avertissement deviennent illisibles ou sont manquantes, téléphonez au **1-888-331-4569** pour obtenir un remplacement gratuit.

CONSERVER CES INSTRUCTIONS

INTRODUCTION

Cet aspirateur pour ramasser des cendres a été conçu pour un emploi résidentiel. Il peut être utilisé pour aspirer des débris secs, y compris des cendres froides de cheminées, de grils, de fours, de cendriers, etc. Il ne doit pas être utilisé pour aspirer des liquides.

Lisez ce mode d'emploi pour vous familiariser avec les fonctions du produit et pour comprendre les particularités d'utilisation de votre nouvel aspirateur.

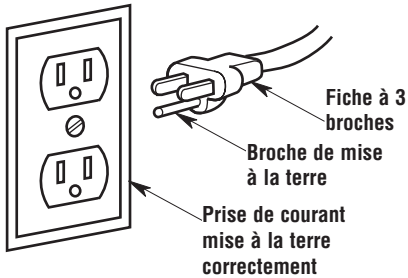
TABLE DES MATIÈRES

Sujet	Page	Sujet	Page
Instructions importantes relatives à la sécurité	20-21	Fonctionnement	29
Introduction	22	Moteur/électrique	29
Instructions relatives à la mise à la terre	23	Vidage du tambour	30
Contenu de la boîte en carton	24	Entretien	31-32
Installation	25-28	Filtre à particules HEPA	31
Montage du bloc-moteur	25	Retrait et remplacement du filtre	31
Démontage du bloc-moteur	25	Retrait du filtre	31
Insertion du tuyau flexible verrouillable	26	Installation du filtre	31
Assemblage du tuyau flexible	26	Nettoyage d'un filtre à cartouche pour débris secs ..	32
Utilisation du suceur avec éclairage à DEL	27	Nettoyage et désinfection de l'aspirateur	
Remplacement des piles du suceur		pour ramasser des cendres	32
avec éclairage à DEL	27	Entretien et rangement du cordon d'alimentation ..	32
Rangement du cordon d'alimentation	28	Rangement de l'aspirateur pour ramasser des cendres ..	32
Rangement des accessoires	28	Service après-vente / Pièces de rechange	33
Rangement de l'ensemble de tuyau	28	Garantie	34

INSTRUCTIONS RELATIVES À LA MISE À LA TERRE

Cet aspirateur doit être mis à la terre. En cas de problème électrique, la mise à la terre fournit un chemin de moindre résistance pour le courant électrique afin de réduire le risque de choc électrique. Cet aspirateur est muni d'un cordon ayant un conducteur de mise à la terre de l'équipement et d'une fiche de mise à la terre. La fiche doit être insérée dans une prise appropriée qui est installée correctement et mise à la terre conformément à tous les codes et règlements municipaux.

Fig. B



AVERTISSEMENT :

Un raccordement inadéquat du conducteur de mise à la terre de l'équipement risque de produire un risque de choc électrique. Consultez un électricien professionnel ou un réparateur compétent en la matière si vous avez le moindre doute quant à la mise à la terre de la prise de courant. Ne modifiez pas la fiche fournie avec cet aspirateur - si elle ne tient pas dans la prise de courant, demandez à un électricien professionnel d'installer une prise de courant avec mise à la terre conforme aux stipulations du code.

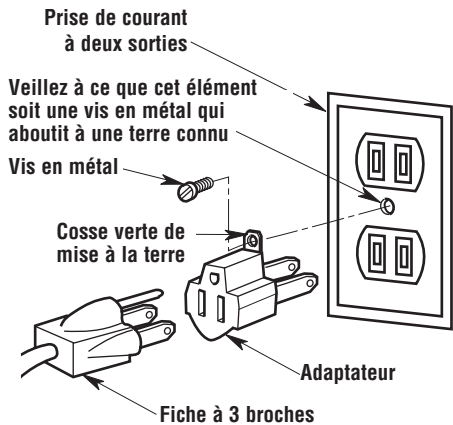
Cet aspirateur est conçu en vue d'un emploi sur un circuit de 120 volts de valeur nominale, et il a une fiche de mise à la terre qui ressemble à la fiche figurant sur l'illustration.

Un adaptateur temporaire ressemblant à celui qui est illustré peut être utilisé pour raccorder cette fiche à une prise à deux broches, telle que celle qui est illustrée. S'il n'existe pas de prise de courant correctement mise à la terre, l'adaptateur temporaire peut être utilisé, mais seulement jusqu'à ce qu'une prise de courant correctement mise à la terre puisse être installée par un électricien professionnel.

La cosse, la saillie ou tout autre élément de couleur verte sortant de l'adaptateur doit être raccordé à une terre permanente telle qu'un cache de coffret de prise de courant correctement mise à la terre. Quand il est utilisé, l'adaptateur doit être maintenu en place par une vis en métal.

REMARQUE : Au Canada, le Code national d'électricité interdit l'utilisation d'un adaptateur temporaire.

Fig. C

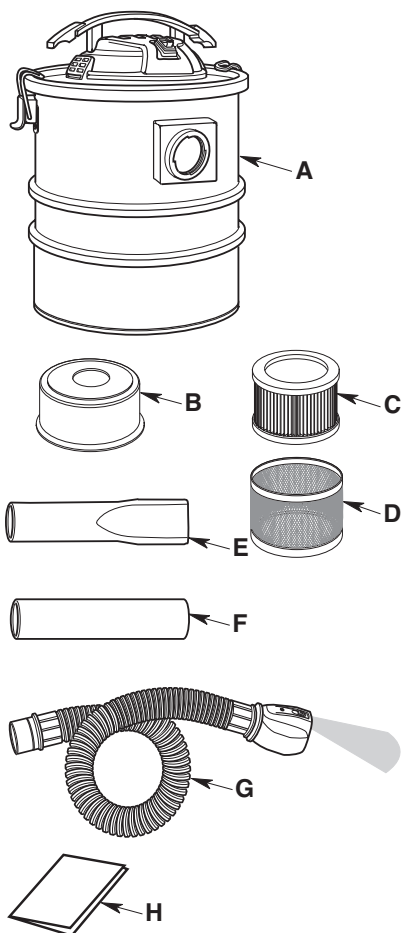


CONTENU DE LA BOÎTE EN CARTON (Fig. D)

Retirez tous les éléments se trouvant dans la boîte en carton. Inspectez chaque élément en le comparant à la liste incluse dans la boîte en carton.

Si des pièces sont endommagées ou manquantes, rappez le produit chez le détaillant qui vous l'a vendu pour obtenir un produit de remplacement.

Fig. D



Lég.	Description	Qté
A	Aspirateur pour ramasser des cendres (18 litres / 5 gallons)	1
B	Couvercle en métal	1
C	Filtre à particules HEPA	1
D	Écran de filtre	1
E	Baguette de rallonge	1
F	Tube du suceur	1
G	Tuyau flexible verrouillable (doublé métal) avec suceur avec éclairage à DEL	1
H	Guide d'utilisation	1

Il se peut que ces éléments soient fournis pré-assemblés.

Si vous ne les trouvez pas dans la boîte en carton, regardez dans l'ensemble moteur de l'aspirateur pour voir s'ils y ont été pré-assemblés.

INSTALLATION

Montage du bloc-moteur (Figs. E & F)

1. Alignez le devant de l'ensemble de bloc-moteur avec l'orifice d'aspiration situé à l'avant du tambour, comme illustré.
2. Placez l'ensemble de bloc-moteur sur le dessus du tambour.
3. Vérifiez que l'ensemble de bloc-moteur recouvre complètement le haut du tambour pour éviter tout risque de fuite.
4. Faites tourner les dispositifs de verrouillage de chaque côté du tambour, et positionnez les croches des dispositifs de verrouillage au-dessus de la lèvre de l'ensemble de bloc-moteur.
5. Faites basculer vers le bas le bord inférieur des dispositifs de verrouillage pour assujettir l'ensemble de bloc-moteur au tambour.

Fig. E

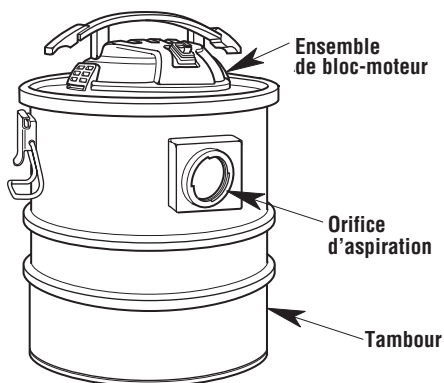
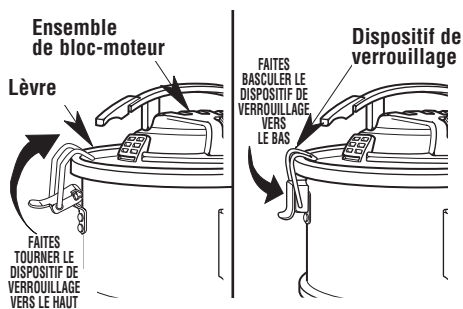


Fig. F



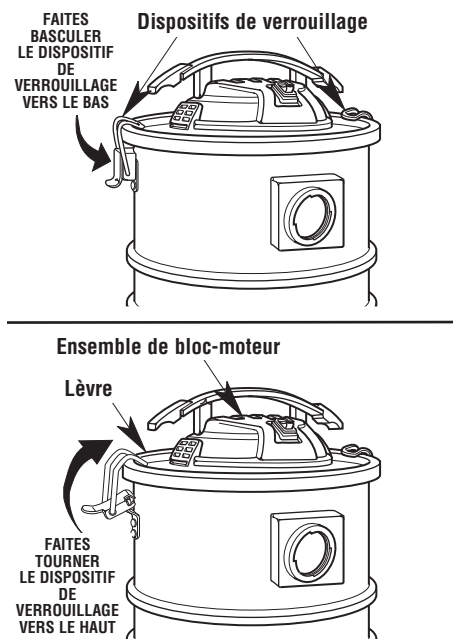
Démontage du bloc-moteur (Fig. G)

⚠ AVERTISSEMENT :

Pour votre propre sécurité, ne branchez jamais la fiche dans une prise de courant avant que toutes les étapes de l'assemblage ne soient terminées et avant d'avoir lu et compris les consignes de sécurité et les instructions d'utilisation. Ne vous servez pas de cet aspirateur si certains de ses composants sont endommagés ou manquants.

1. Saisissez les dispositifs de verrouillage du tambour du côté droit et du côté gauche de l'aspirateur.
2. Tirez lentement sur le bas des dispositifs de verrouillage et soulevez-les tout en les éloignant du tambour.
3. La partie supérieure des dispositifs de verrouillage sera alors détachée du bloc-moteur.
4. Soulevez le bloc-moteur pour le détacher du tambour et placez-le sur une surface sèche.

Fig. G

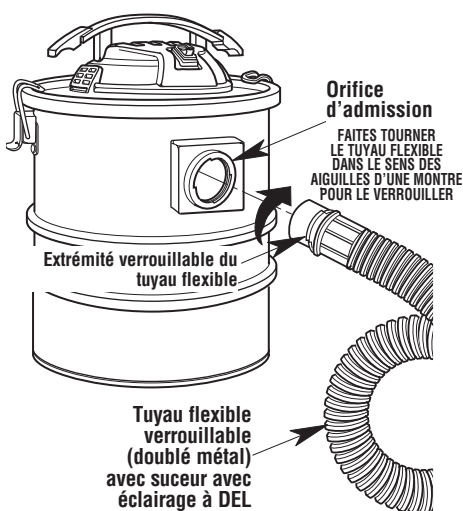


Insertion du tuyau flexible verrouillable (Fig. H)

REMARQUE : Utilisez SEULEMENT le tuyau flexible muni d'une doublure en métal à l'intérieur et les accessoires en métal fournis avec cet aspirateur pour ramasser les cendres.

1. Alignez les languettes du tuyau flexible sur l'orifice d'admission et insérez l'extrémité verrouillable du tuyau flexible dans l'orifice d'admission du tambour de l'aspirateur, comme illustré.
2. Faites tourner le tuyau flexible dans le sens des aiguilles d'une montre pour le verrouiller en place.
3. Pour détacher le tuyau flexible de l'aspirateur, faites tourner le tuyau verrouillable dans le sens contraire des aiguilles d'une montre et tirez sur le tuyau pour le faire sortir de l'orifice d'admission de l'aspirateur.

Fig. H



Assemblage du tuyau flexible (Figs. I & J)

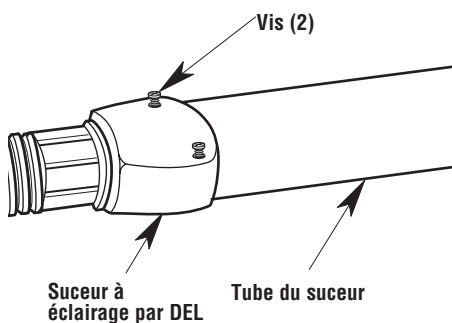
1. Faites glisser l'extrémité ronde du tube de rallonge du suceur dans l'extrémité fuselée la plus petite du tube du suceur.

Fig. I



2. Desserrez les deux vis de montage des DEL, qui sont situées en bas du suceur à éclairage par DEL.
3. Faites glisser le tube du suceur à travers l'ensemble de DEL et jusqu'à l'intérieur du raccord de tuyau flexible en caoutchouc.
4. Serrez à nouveau les deux vis de l'ensemble de DEL pour assujettir l'ensemble de DEL à l'ensemble de tuyau flexible.

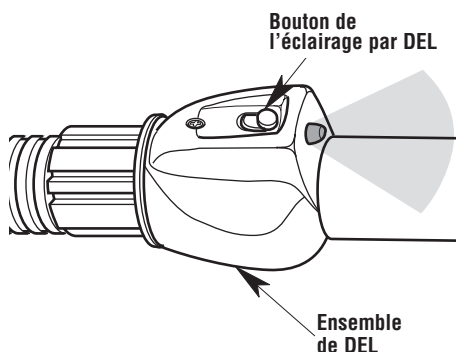
Fig. J



Utilisation du suceur avec éclairage à DEL (Fig. K)

1. Appuyez sur le bouton pour activer l'éclairage à DEL pendant que vous passez l'aspirateur.
2. Faites coulisser l'interrupteur vers l'avant pour verrouiller l'éclairage par DEL dans la position allumée (ON).
3. Faites coulisser à nouveau l'interrupteur dans la position éteinte (OFF) après avoir fini de vous en servir.

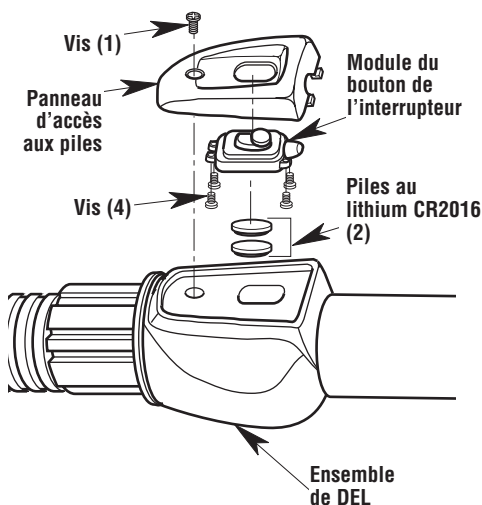
Fig. K



Remplacement des piles du suceur avec éclairage à DEL (Fig. L)

1. Pour accéder aux piles, retirez et mettez de côté la vis de fixation du panneau d'accès aux piles.
2. Retirez et mettez de côté les quatre vis de l'ensemble de DEL, ce qui libère le module du bouton de l'interrupteur.
3. Les deux piles sont situées sous le module du bouton de l'interrupteur. Mettez les piles usagées au rebut dans un conteneur à déchets approprié.
4. La lampe avec éclairage à DEL utilise deux piles au lithium CR2016 qui sont remplaçables.
5. Repositionnez le module du bouton de l'interrupteur au-dessus du compartiment des piles. Installez les quatre vis qui avaient été retirées auparavant sur le module du bouton de l'interrupteur pour le sécuriser.
6. Repositionnez le panneau d'accès aux piles au-dessus du module du bouton de l'interrupteur. Installez la vis qui avait été retirée auparavant sur le panneau d'accès aux piles pour le sécuriser.

Fig. L



⚠ AVERTISSEMENT :

Gardez les piles hors de la portée des petits enfants. Consultez immédiatement un médecin si une pile est avalée. Des brûlures ou blessures graves sont possibles.

La pile contient du perchlorate – des consignes de manipulation spéciales peuvent s'appliquer.

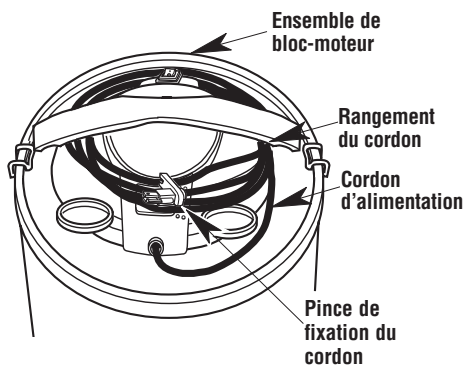
Voir www.dtscc.ca.gov/hazardouswaste/perchlorate.

Rangement du cordon d'alimentation (Fig. M)

Le cordon d'alimentation électrique doit être enroulé autour de la poignée de transport de l'ensemble de bloc-moteur.

Placez la pince de fixation du cordon sur le cordon d'alimentation pour le sécuriser.

Fig. M



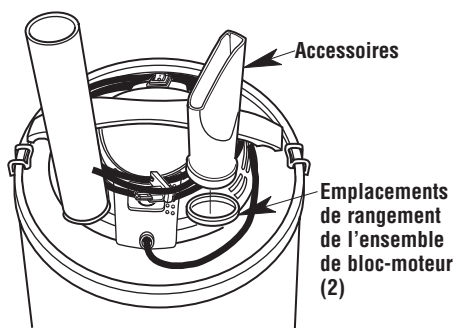
⚠ AVERTISSEMENT :

Pour ne pas risquer de blessure grave pouvant résulter d'un choc électrique, éteignez immédiatement l'aspirateur si le cordon d'alimentation électrique est endommagé. Apportez l'aspirateur chez un réparateur qualifié en vue d'inspection et de réparation possible.

Rangement des accessoires (Fig. N)

Les accessoires peuvent être rangés à l'arrière de l'ensemble de bloc-moteur en plaçant chaque accessoire dans un des emplacements de rangement de l'ensemble de bloc-moteur.

Fig. N



Rangement de l'ensemble de tuyau flexible (Fig. O)

Enroulez le tuyau flexible autour du haut de l'ensemble de bloc-moteur une fois refroidi, en positionnant le tuyau flexible en dessous de l'aire d'enroulement du tuyau/de la poignée de transport.

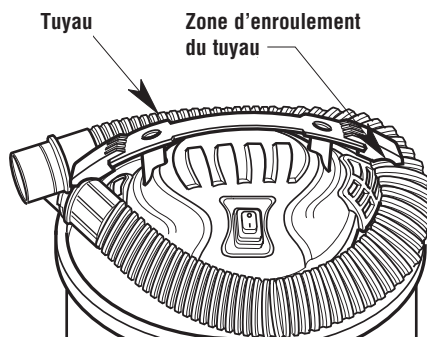
⚠ MISE EN GARDE :

N'utilisez pas l'aspirateur alors que le tuyau flexible est toujours enroulé autour de l'ensemble de bloc-moteur dans la position de stockage.

⚠ AVERTISSEMENT :

Ne placez aucun objet dans les orifices de ventilation. N'aspirez pas quand l'un quelconque des orifices de ventilation est bouché; ne laissez pas s'accumuler de la poussière, de la peluche, des cheveux ou tous autres objets qui pourraient réduire la circulation d'air.

Fig. O



FONCTIONNEMENT

⚠ AVERTISSEMENT :

Pour réduire le risque d'incendie, d'explosion ou d'endommagement de l'aspirateur :

- Ne laissez pas l'aspirateur en marche pendant que vous êtes absent(e) – vous risqueriez de manquer des signes importants indiquant un fonctionnement anormal, comme une perte de puissance d'aspiration, la sortie de débris par la bouche de soufflage d'air ou des bruits anormaux en provenance du moteur. Cessez immédiatement d'utiliser l'aspirateur si vous constatez de tels signes.
- Ne laissez pas l'aspirateur branché lorsque vous ne l'utilisez pas.
- Les étincelles à l'intérieur du moteur risqueraient de mettre feu à des matières inflammables en suspension dans l'air. Ne pas utiliser l'aspirateur à proximité de liquides inflammables ou à des endroits où il y a des gaz ou des vapeurs inflammables, ou de la poussière explosive dans l'air. Les liquides, gaz et vapeurs inflammables comprennent : essence à briquet, produits de nettoyage du type solvant, peinture à base d'huile, essence, alcool et aérosols. Types de poussières explosives : charbon, magnésium, aluminium, céréales et poudre noire.
- N'aspirez pas de poussières explosives, de liquides inflammables ou de cendres chaudes.
- Videz le tambour après avoir aspiré ces matériaux susceptibles de causer une inflammation spontanée.

⚠ AVERTISSEMENT :

Pour réduire le risque de choc électrique ou de blessure :

- N'exposez pas à la pluie, et ne laissez pas de liquides pénétrer dans le compartiment du moteur. Rangez à l'intérieur.
- Ne touchez pas la fiche de branchement, l'interrupteur ou l'aspirateur si vous avez les mains mouillées.
- Débranchez l'aspirateur avant toute opération d'entretien sur celui-ci. Si votre aspirateur ne fonctionne pas comme il devrait, s'il manque des pièces, s'il est tombé par terre ou a été endommagé, s'il a été laissé à l'extérieur ou s'il est tombé dans de l'eau, téléphonez au service d'assistance à la clientèle au 1-888-331-4569 (au Mexique 001-888-331-4569).
- Lorsque vous utilisez un cordon de rallonge, n'utilisez qu'un cordon prévu pour emploi à l'extérieur et en bon état. Ne laissez pas la connexion entrer en contact avec des liquides.

⚠ MISE EN GARDE :

Pour réduire le risque de dommages auditifs, portez des protège-oreilles lorsque vous utilisez l'aspirateur pendant une période prolongée ou dans une zone bruyante.

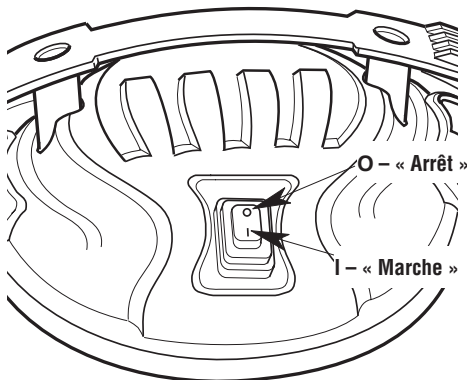
Moteur/électrique (Fig. P)

Cet aspirateur pour ramasser les cendres a été conçu pour utilisation avec une alimentation électrique de 120 volts, 60 Hz. L'aspirateur est pourvu d'un disjoncteur à protection thermique qui coupera le courant alimentant l'aspirateur si des températures de fonctionnement excessivement élevées sont détectées. Ceci peut être la conséquence d'un blocage du passage d'aspiration ou de l'obstruction du filtre. Si un court-circuit causé par une telle élévation de la température se produit, basculez l'interrupteur de l'aspirateur en position d'arrêt (OFF), débranchez l'aspirateur et inspectez-le afin de déterminer s'il y a un blocage de la circulation de l'air dans le tuyau flexible, et contrôlez l'état des filtres (voir la rubrique « Entretien »). Nettoyez ou remplacez les filtres suivant les besoins. Il faudra attendre plusieurs minutes pour que l'aspirateur refroidisse pour pouvoir être manipulé sans danger. Lorsqu'il aura suffisamment refroidi, le disjoncteur thermique se réinitialisera automatiquement et l'aspirateur pourra à nouveau être utilisé de façon normale.

Après avoir branché le cordon d'alimentation dans la prise de courant, mettez l'appareil sous tension en appuyant sur l'interrupteur pour le faire passer de la position « 0 » à la position « I ». Les deux symboles internationaux qui figurent sur l'interrupteur indiquent, respectivement, la position de marche et la position d'arrêt de votre aspirateur.

○ = ARRÊT | = MARCHÉ

Fig. P



Vidage du tambour de l'aspirateur (Figs. Q & R)

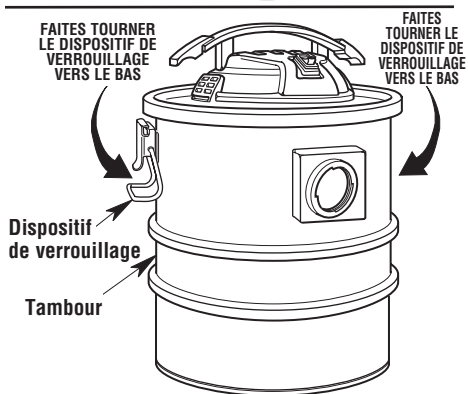
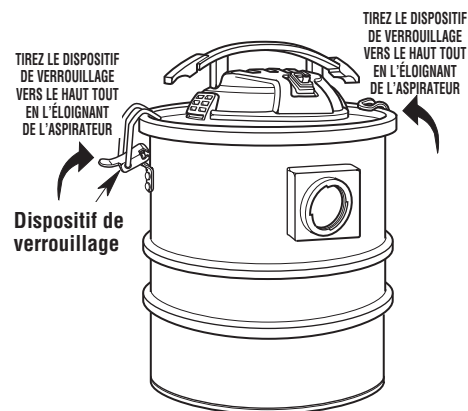
⚠️ AVERTISSEMENT :

Pour réduire le risque de blessure en raison d'une mise en marche accidentelle, débrancher le cordon électrique avant de vider le tambour de l'aspirateur.

REMARQUE : Ne rangez pas l'aspirateur tout de suite après avoir jeté les cendres ou après toute autre utilisation dans un endroit clos ou dans lequel l'air ne circule pas. Laissez l'ensemble de bloc-moteur refroidir et retirez les cendres du tambour avant de le ranger.

1. Saisissez les dispositifs de verrouillage du tambour des deux côtés de l'ensemble de bloc-moteur.
2. Tirez lentement sur les dispositifs de verrouillage et soulevez-les tout en les éloignant du tambour.
3. La partie supérieure des dispositifs de verrouillage sera alors détachée de l'ensemble de bloc-moteur.

Fig. Q



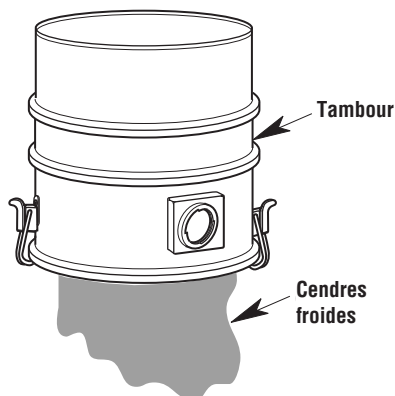
REMARQUE : Assurez-vous que les cendres sont froides avant de jeter le contenu dans un conteneur à déchets approprié.

4. Soulevez l'ensemble de bloc-moteur et posez-le dans un endroit propre et sec.
5. Videz le tambour à poussière dans un conteneur à déchets approprié.
6. Inspectez le filtre conformément aux instructions de la section « Retrait et installation du filtre » de ce mode d'emploi.
7. Remontez l'ensemble de bloc-moteur sur le tambour.

⚠️ MISE EN GARDE :

Pour réduire le risque de dommages auditifs, portez des protège-oreilles lorsque vous utilisez l'aspirateur pendant une période prolongée ou dans une zone bruyante.

Fig. R



ENTRETIEN

Filtre à particules HEPA

⚠ AVERTISSEMENT :

Pour réduire le risque de blessure en raison d'une mise en marche accidentelle, débrancher le cordon électrique avant de remplacer le filtre ou de le nettoyer.

Votre filtre à particules HEPA doit être nettoyé fréquemment pour maintenir la performance optimale de l'aspirateur.

IMPORTANT : Il est très important que l'écran du filtre soit installé avant d'utiliser l'aspirateur.

REMARQUE : Le filtre à particules HEPA est fabriqué avec un matériau de haute qualité conçu pour intercepter la poussière et les particules de petite taille. Manipulez le filtre à particules HEPA avec précaution lorsque vous le retirez pour le nettoyer ou lorsque vous installez un nouveau filtre à particules HEPA. Des stries peuvent se former dans les plis du filtre à particules HEPA après l'installation, mais ces stries n'affecteront pas la performance du filtre à particules HEPA.

Retrait et installation du filtre

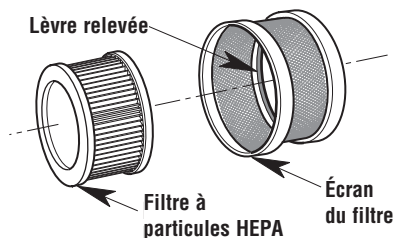
Retrait du filtre (Fig. S):

1. Faites tourner l'écran du filtre/le filtre à particules HEPA dans le sens contraire des aiguilles d'une montre.
2. Retirez le filtre à particules HEPA de l'écran du filtre.

REMARQUE : L'écran du filtre doit être nettoyé avec une brosse.

3. Inspectez le filtre d'admission du moteur, et nettoyez-le ou remplacez-le si besoin est.

Fig. S



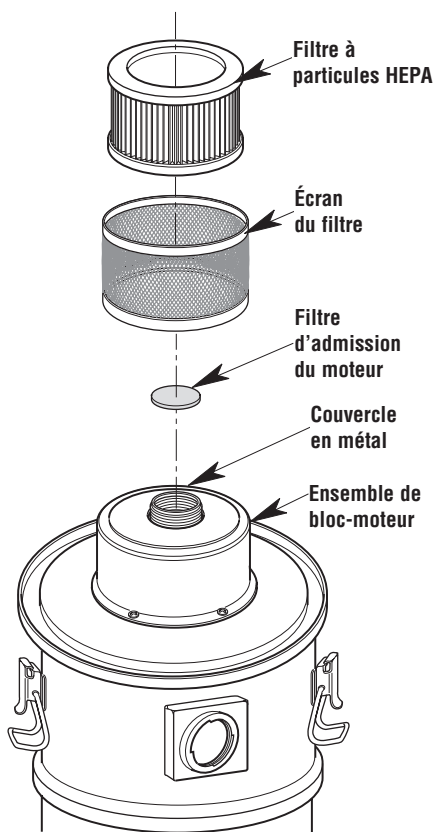
Installation du filtre (Fig. T):

1. Remettez en place le filtre d'admission du moteur.
2. Remettez le filtre à particules HEPA à sa place à l'intérieur de l'écran du filtre.

REMARQUE : Veillez à orienter le filtre à particules HEPA et l'écran du filtre dans la position correcte, comme illustré. L'écran du filtre comporte une lèvre relevée à l'intérieur de l'écran pour le maintenir à sa place.

3. Faites tourner l'écran du filtre/le filtre à particules HEPA dans le sens des aiguilles d'une montre sur le couvercle en métal du bloc-moteur.

Fig. T



Nettoyage d'un filtre à cartouche pour débris secs

REMARQUE : Pour obtenir les meilleurs résultats possibles quand on nettoie de la poussière accumulée, nettoyez le filtre dans un endroit aéré. Il FAUT nettoyer le filtre à l'extérieur, et à l'intérieur d'une résidence habitée.

1. Un nettoyage superficiel de quelques débris secs accumulés sur le filtre peut être réalisé sans avoir besoin de retirer le filtre de l'aspirateur. Tapotez simplement de la main sur le haut de la poignée pendant que l'aspirateur est hors service.
2. Retirez le filtre de l'aspirateur. Tapotez doucement le filtre contre la paroi intérieure de votre tambour, ou contre le sol, et les débris se détacheront et tomberont.

Nettoyage et désinfection de l'aspirateur pour ramasser des cendres

Afin de préserver la meilleure apparence possible pour votre aspirateur, nettoyez l'extérieur de l'aspirateur avec un tissu humidifié dans de l'eau tiède avec un savon doux.

Pour nettoyer le tambour :

1. Jetez les débris hors du tambour.
2. Lavez le tambour à fond avec de l'eau tiède et un savon doux.
3. Essuyez avec un tissu sec.

Entretien et rangement du cordon d'alimentation

Lorsque vous aurez fini de vous servir de votre aspirateur, débranchez-en le cordon d'alimentation et enroulez-le autour de la poignée du bloc-moteur. Les accessoires peuvent être rangés sur la partie arrière de l'ensemble de bloc-moteur.

⚠ AVERTISSEMENT :

Pour ne pas risquer de blessure grave pouvant résulter d'un choc électrique, éteignez immédiatement l'aspirateur si le cordon d'alimentation électrique est endommagé. Apportez l'aspirateur chez un réparateur qualifié en vue d'inspection et de réparation possible.

Rangement de l'aspirateur pour ramasser des cendres

Il faut vider et nettoyer le tambour avant de ranger votre aspirateur. Le cordon d'alimentation électrique doit être enroulé autour de la poignée de transport, en positionnant le tuyau flexible en dessous de la poignée de transport. Les accessoires doivent être rangés à proximité de l'aspirateur de façon à pouvoir les trouver facilement. Ranger l'aspirateur à l'intérieur d'un bâtiment.

⚠ AVERTISSEMENT :

Pour assurer la SÉCURITÉ et la FIABILITÉ du produit, toutes les autres opérations de maintenance, de réparation et de réglage doivent être effectuées par des centres de service agréés utilisant toujours des pièces de rechange CRAFTSMAN.

SERVICE APRÈS-VENTE / PIÈCES DE RECHANGE

Aspirateur de 18 Litres (5 Gallons) pour ramasser des cendres

Modèle N° CMXEVB175850

Caractéristiques électriques nominales : 120 V~ 7,6 A 60 Hz

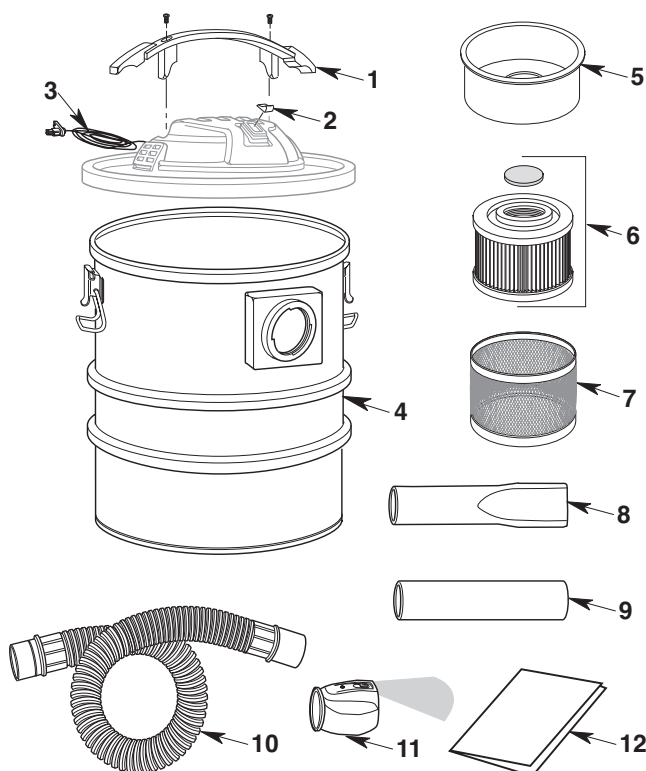
⚠ AVERTISSEMENT : Pour réduire le risque de blessure, débranchez le cordon d'alimentation avant toute opération de maintenance/réparation de l'aspirateur pour ramasser des cendres.

⚠ AVERTISSEMENT : Toutes les opérations de démontage et de réparation doivent être effectuées par des techniciens compétents

Pour commander, utiliser toujours le numéro de pièce - pas le numéro de légende

Lég.	Pièce N°	Description
1	836247-3	Poignée de transport
2	836248	Interrupteur basculant
3	836265	Cordon d'alimentation
4	836506	Ensemble de tambour (Inclut le tambour, l'orifice d'admission du tambour, les loquets de verrouillage du tambour, le carton et l'étiquette)
5	836257	Couvercle en métal
6	CMXZVBE38740	Filtre à particules HEPA avec filtre de l'orifice d'admission du moteur

Lég.	Pièce N°	Description
7	836270	Écran de filtre en métal
8	836276	Suceur à rallonge en métal
9	836275	Suceur à tube en métal
10	836277	Tuyau flexible verrouillable (avec doublure intérieure en métal)
11	836279	Ensemble de tuyau flexible pour le suceur à éclairage par DEL
12	SP7088	Guide d'utilisation



GARANTIE LIMITÉE CRAFTSMAN® - 3 ANS

La présente garantie limitée est accordée par Emerson Tool Company, une division d'Emerson Electric Co. (« Nous » ou « Notre » ou « Nos »), au consommateur propriétaire d'origine (« Client » ou « Vous » ou « Votre » ou « Vos ») du produit CRAFTSMAN avec lequel cette garantie limitée est accordée (le « Produit CRAFTSMAN »).

Ce qui est couvert

Nous Vous garantissons que Votre Produit CRAFTSMAN ne comporte aucun défaut de matériau ou de façon quand il est utilisé dans des conditions normales conformément aux dispositions du Guide d'utilisation qui Vous a été fourni avec le Produit CRAFTSMAN, sous réserve des exclusions décrites ci-dessous, pour une durée de trois ans commençant à la date de l'achat par Vous (la « Période de garantie »). La présente garantie limitée prend fin automatiquement si l'acheteur d'origine cède le Produit CRAFTSMAN à une autre personne ou entité.

Ce qui n'est pas couvert

La présente garantie limitée ne couvre pas ce qui suit et exclut expressément :

- L'usure normale et/ou les attachements ou accessoires de rechange, y compris, sans toutefois s'y limiter, les cordons d'alimentation, les tuyaux flexibles, les filtres et les autres attachements ou accessoires qui peuvent être vendus par Nous en vue d'emploi avec le Produit CRAFTSMAN.
- L'endommagement ou la détérioration du moteur du Produit CRAFTSMAN résultant du fait qu'un blocage clair survenu pendant le fonctionnement normal n'a pas été éliminé.
- La perte ou l'endommagement du Produit CRAFTSMAN en conséquence de conditions qui sont au-delà de Notre contrôle, y compris, sans toutefois s'y limiter, une utilisation non conforme aux instructions, un accident, un abus, de la négligence, une faute (par quiconque autre que Nous), une utilisation excessive au-delà de la capacité prévue et indiquée dans le Guide d'utilisation, ou des modifications ou des altérations effectuées par quiconque autre que Nous.
- La perte ou l'endommagement du Produit CRAFTSMAN en conséquence du fait que le Produit CRAFTSMAN n'a pas été utilisé conformément aux instructions ou directives écrites, ou aux conditions et modalités figurant dans le Guide d'utilisation.
- DANS LA MESURE AUTORISÉE PAR LA LOI, NOUS N'ASSUMERONS AUCUNE RESPONSABILITÉ EN CAS DE DOMMAGES SECONDAIRES, SPÉCIAUX, INDIRECTS OU ACCESSOIRES, Y COMPRIS DES PERTES ÉCONOMIQUES, EN CONSÉQUENCE DE L'ABSENCE DE FONCTIONNEMENT, DE L'UTILISATION, D'UNE UTILISATION ABUSIVE OU DE L'IMPOSSIBILITÉ D'UTILISATION DU PRODUIT CRAFTSMAN, OU POUR DES NÉGLIGENCE D'ETC.

Comment faire valoir ses droits à la garantie

États-Unis et Canada - Pour obtenir le bénéfice de la garantie, contactez-nous par un appel gratuit au 1-888-331-4569 (au Mexique 001-888-331-4569). Nous vous orienterons vers le centre de service après-vente le plus proche pour que vous puissiez y faire examiner votre aspirateur gratuitement pour une inspection, des réparations ou le remplacement de composants.

Mexique - Pour obtenir le bénéfice de la garantie, contactez-nous par un appel gratuit au 001-888-331-4569. Nous vous orienterons vers le centre de service après-vente le plus proche pour que vous puissiez y faire examiner votre aspirateur gratuitement pour une inspection, des réparations ou le remplacement de composants.

Aucune autre garantie ne s'applique

La présente garantie limitée est la garantie unique et exclusive qui Vous est accordée. Aucune autre garantie expresse, écrite ou verbale, ne s'applique, y compris, SANS LIMITATION, DES GARANTIES DE QUALITÉ MARCHANDE OU D'ADÉQUATION À UN BUT PARTICULIER. Aucun employé, agent, distributeur ou autre personne n'est autorisé à altérer cette garantie limitée ou à accorder une quelconque autre garantie en Notre nom.

Ce que ferons pour résoudre les problèmes

VOTRE REMÈDE UNIQUE ET EXCLUSIF EN VERTU DE LA PRÉSENTE GARANTIE LIMITÉE EST LIMITÉ À LA RÉPARATION, AU REMPLACEMENT OU AU REMBOURSEMENT DU PRODUIT CRAFTSMAN.

Après que vous aurez contacté le département du service à la clientèle pour le Produit CRAFTSMAN, Nous engagerons la procédure d'application de la garantie, y compris un examen physique, sous réserve des exclusions et des limites de la Période de garantie énoncées aux présentes, afin de déterminer si nous allons réparer ou remplacer le Produit CRAFTSMAN, ou Vous proposer un remboursement.

La décision de réparation ou de remplacement de Votre Produit CRAFTSMAN, ou de remboursement, est à notre discrétion exclusive. Les réparations ou remplacements qui Vous sont accordés par ETC sont gratuits pour Vous s'ils sont couverts par la présente garantie limitée.

Si Nous ne sommes pas en mesure de Vous fournir un Produit CRAFTSMAN réparé de façon approprié ou de remplacement, Nous Vous accorderons un remboursement égal au prix d'achat de Votre Produit CRAFTSMAN ou un crédit à utiliser vers l'achat d'un nouveau Produit CRAFTSMAN.

En cas de litige entre le CLIENT et NOUS, l'une quelconque des parties peut décider de faire résoudre le problème par voie d'arbitrage obligatoire. CELA SIGNIFIE QUE SI LE CLIENT CHOISIT OU NOUS CHOISSONS UN ARBITRAGE OBLIGATOIRE, AUCUNE DES PARTIES N'AURA LE DROIT D'INTENTER UNE ACTION EN JUSTICE DEVANT UN TRIBUNAL OU DE DEMANDER UN JUGEMENT PAR JURY. LES DROITS D'OBLIGATION DE SOUMISSION DE DOCUMENTS ET D'APPEL SONT LIMITÉS.

La présente garantie limitée vous confère des droits légaux spécifiques, et vous disposez peut-être aussi d'autres droits, qui varient en fonction de l'État ou de la province où Vous résidez. Étant donné que certains États et certaines provinces ne permettent pas l'exclusion des dommages indirects ou secondaires, il se peut que la limitation ci-dessus ne s'applique pas.



CRAFTSMAN®

is a registered trademark of Stanley Black & Decker, Inc., used under license.
es una marca registrada de Stanley Black & Decker, Inc., utilizada bajo licencia.
est une marque déposée de Stanley Black & Decker, Inc., utilisée sous licence.

© 2019 CRAFTSMAN

Product Manufactured by:	EMERSON TOOL COMPANY
Producto fabricado por:	8100 W. Florissant • St. Louis, MO 63136
Produit fabriqué par :	U.S. & Canada Only • É.-U. et Canada seulement



Definiciones: Símbolos y palabras de alerta de seguridad

Este manual de instrucciones utiliza los siguientes símbolos y palabras de alerta de seguridad para alertarle a usted de situaciones peligrosas y su riesgo de lesiones corporales o daños materiales.

⚠ PELIGRO: Indica una situación peligrosa que, si no se evita, causará la muerte o lesiones graves.

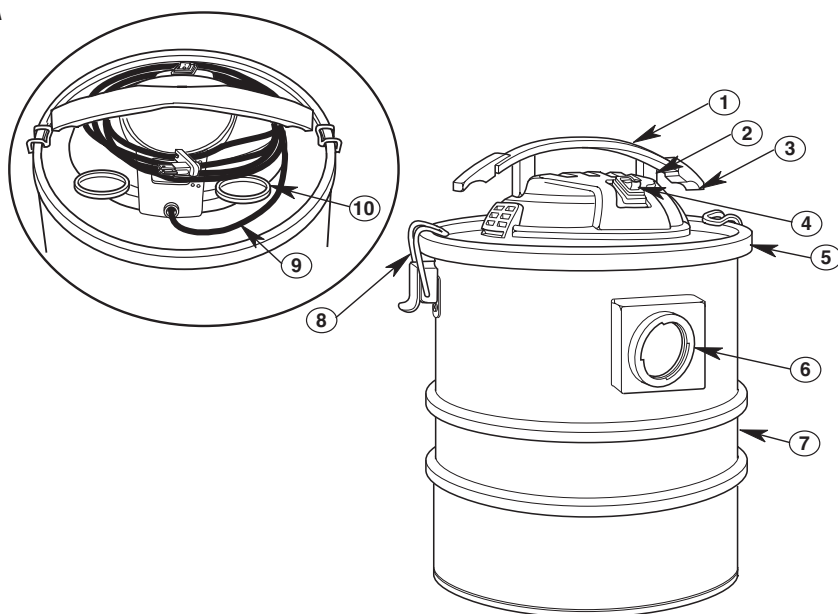
⚠ ADVERTENCIA: Indica una situación potencialmente peligrosa que, si no se evita, podría causar la muerte o lesiones graves.

⚠ PRECAUCIÓN: Indica una situación peligrosa que, si no se evita, es posible que cause lesiones leves o moderadas.

⚠ (Utilizado sin palabra) Indica un mensaje relacionado con la seguridad.

AVISO: Indica una práctica no relacionada con lesiones corporales que, si no se evita, es posible que cause daños materiales.

Fig. A



Componentes

- 1 Asa de transporte
- 2 Área de enrollado del cable
- 3 Área de enrollado de la manguera
- 4 Interruptor de ENCENDIDO y APAGADO
- 5 Ensamblaje de la cabeza motriz
- 6 Orificio de entrada de la aspiradora
- 7 Tambor
- 8 Pestillos del tambor (2)
- 9 Cable de alimentación
- 10 Ranuras del almacenamiento de accesorios (2)

⚠ ADVERTENCIA: Lea todas las advertencias de seguridad y todas las instrucciones. Si no se siguen las advertencias e instrucciones, es posible que el resultado sea descargas eléctricas, incendio y/o lesiones graves.

⚠ ADVERTENCIA: No modifique nunca el producto ni ninguna parte del mismo. El resultado de hacerlo podría ser daños o lesiones corporales.

⚠ ADVERTENCIA: Para reducir el riesgo de lesiones, lea el manual de instrucciones.

Si tiene preguntas o comentarios sobre este o cualquier otro producto, llame gratis a CRAFTSMAN al: 1-888-331-4569.

INSTRUCCIONES DE SEGURIDAD IMPORTANTES

Cuando utilice esta aspiradora, siga siempre las precauciones básicas de seguridad, incluyendo las siguientes:

⚠️ ADVERTENCIA:

Para reducir el riesgo de incendio, sacudidas eléctricas o lesiones:

Esta aspiradora está diseñada para recoger cenizas FRÍAS de chimeneas, parrillas, hornos, ceniceros, etc. Lea y entienda este manual y todas las etiquetas que se encuentran en esta aspiradora antes de utilizarla.

- Lea y entienda este Manual de instrucciones y todas las etiquetas que están colocadas en la aspiradora antes de utilizarla.
- Utilice la aspiradora únicamente de la manera que se describe en este manual.
- No recoja nada que esté ardiendo o humeando, como cigarrillos, fósforos o brasas que estén calientes, al rojo o ardiendo. Recoja sólo cenizas frías. Tenga presente que las cenizas/brasas pueden estar calientes durante varios días después del uso.
- Tenga precaución cuando aspire materiales que parezcan haberse enfriado, pero que en realidad pueden estar calientes en su interior. Compruebe primero si hay puntos calientes rastreando a través de las cenizas/ascuas. El flujo de aire creado durante la operación de aspiración puede hacer que la ceniza caliente se reincendie. Mientras limpia con la aspiradora, compruebe constantemente la boquilla, la manguera, el tambor y el motor para determinar si hay temperaturas excesivas. Si observa un aumento de la temperatura, apague de inmediato la aspiradora. Desenchufe la aspiradora y saque del tambor el material aspirado.
- El tambor se debe vaciar y limpiar después de cada uso, y antes de recoger otros residuos domésticos
- Deje que la aspiradora se enfríe antes de almacenarla, especialmente si se va a almacenar en un lugar cerrado.
- No use bolsas de papel para polvo.
- Para reducir el riesgo de daños por causa de la recogida accidental de brasas calientes, no coloque la aspiradora sobre superficies susceptibles a los daños por calor, tales como alfombras, pisos de vinilo o superficies de madera.
- No deje desatendida la aspiradora mientras esté en marcha: Puede que usted no observe señales importantes que indiquen un funcionamiento anormal, tales como pérdida de succión o ruidos anormales del motor. Deje de usar la aspiradora inmediatamente si observa estas señales.
- No abandone la aspiradora cuando esté enchufada. Desenchúfela del tomacorriente cuando no la esté utilizando y antes de realizar servicio de revisión.
- Las chispas que se producen en el interior del motor pueden incendiar los vapores inflamables o el polvo. Para reducir el riesgo de incendio o explosión: No use la aspiradora cerca de líquidos o gases inflamables o combustibles, o polvos explosivos como gasolina u otros combustibles, líquido encen-dedor, limpiadores, pinturas a base de aceite, gas natural, polvo de carbón, polvo de magnesio, polvo de aluminio, polvo de granos de cereal o pólvora.
- Para reducir el riesgo de que se produzcan peligros para la salud causados por vapores o polvo, no recoja con la aspiradora materiales tóxicos ni la use cerca de dichos materiales.
- Para reducir el riesgo de descargas eléctricas, no exponga la aspiradora a la lluvia ni deje que entren líquidos en el compartimiento del motor. Guarde la aspiradora en un lugar interior.
- Esta aspiradora de ceniza no se destina para utilizarse por personas (incluyendo niños) cuyas capacidades físicas, sensoriales o mentales estén reducidas, o carezcan de experiencia o conocimiento, a menos que dichas personas reciban una supervisión o capacitación para el funcionamiento del aparato por una persona responsable de su seguridad.
- Utilice únicamente cables de extensión con capacidad para uso a la intemperie. Utilice únicamente cordones de extensión para intemperie de tres cables que tengan enchufes de conexión a tierra de tres terminales y tomacorrientes con conexión a tierra que acepten el enchufe de la aspiradora. Los cables de extensión que estén en malas condiciones o tengan un tamaño de alambre demasiado pequeño pueden presentar peligros de incendio y descargas eléctricas. Para reducir el riesgo de estos peligros, asegúrese de que el cable esté en buenas condiciones y que no entre ningún líquido en contacto con la conexión. No utilice un cable de extensión que tenga conductores de tamaño inferior a 1,3 mm² (16 AWG).
- No use la aspiradora con el cordón dañado, el enchufe dañado u otras piezas dañadas. Si la aspiradora no funciona como debe, le faltan piezas, se ha caído, ha sido dañada, se ha dejado a la intemperie o se ha caído al agua, llame a servicio al cliente al 1-888-331-4569 (México 001-888-331-4569).
- Conecte la aspiradora solamente a un toma corriente conectado a tierra adecuada mente. Consulte las instrucciones de conexión a tierra.
- No ponga ningún objeto en las aberturas de ventilación. No recoja nada con la aspiradora cuando cualquiera de las aberturas de ventilación esté bloqueada; mantenga dichas aberturas libres de polvo, pelusa, pelo o cualquier cosa que pueda reducir el flujo de aire.
- Mantenga el pelo, la ropa holgada, los dedos y todas las partes del cuerpo alejados de las aberturas y de las piezas móviles.
- Para reducir el riesgo de caídas, tenga cuidado adicional al limpiar en escaleras.
- Para reducir el riesgo de lesiones corporales o daños a la aspiradora, utilice únicamente accesorios recomendados por CRAFTSMAN.
- No permita que la aspiradora se utilice como un juguete. Se necesita prestar máxima atención cuando sea utilizada por niños o cerca de éstos.
- No use la aspiradora con un filtro desgarrado o sin tener el filtro instalado, excepto cuando recoja con ella líquidos de la manera que se describe en este manual. Los residuos secos absorbidos por el impulsor podrían dañar el motor o ser expulsados de vuelta al aire.
- Apague la aspiradora antes de desenchufarla.
- Para reducir el riesgo de lesiones debidas a un arranque accidental, desenchufe el cordón de energía antes de cambiar o limpiar el filtro.
- No desenchufe la aspiradora tirando del cordón. Para desenchufarla, agarre el enchufe y no el cordón.
- No tire de la aspiradora usando el cordón ni la lleve por el cordón, ni use el cordón como asa, ni cierre una puerta sobre el cordón, ni tire del cordón alrededor de bordes o esquinas afilados. Mantenga el cordón alejado de las superficies calientes.

PRECAUCIÓN:

- Para reducir el riesgo de daños a la audición, use protectores de oídos cuando utilice la aspiradora durante un tiempo prolongado o en un área ruidosa.
- Para operaciones que generan polvo, use una máscara antipolvo.
- Las descargas de estática son comunes cuando la humedad relativa del aire es baja. Si recoge residuos finos con la aspiradora, se puede depositar carga estática en la manguera o en la aspiradora. El mejor remedio para reducir la frecuencia de las descargas de estática en su casa o cuando use esta aspiradora es añadir humedad al aire con un humidificador.

Haga caso de las siguientes advertencias que aparecen en la boquilla con iluminación.

ADVERTENCIA:

- Mantenga las baterías fuera del alcance de los niños pequeños. Consulte inmediatamente a un médico si alguien se traga una batería; podrían ocurrir quemaduras o lesiones graves.
- La batería contiene material a base de perclorato: Es posible que se requiera un manejo especial. Consulte www.dtsc.ca.gov/hazardouswaste/perchlorate.

Siga las siguientes advertencias que aparecen en la aspiradora.

ADVERTENCIA:

Riesgo de incendio y daños por calor.

Esta aspiradora está diseñada para recoger cenizas FRÍAS de chimeneas, parrillas, hornos, ceniceros, etc. No recoja cenizas/brasas que estén calientes, al rojo o ardiendo. Recoja sólo cenizas frías. Tenga presente que las cenizas/brasas pueden estar calientes durante varios días después del uso. Para reducir el riesgo de daños por causa de una recogida accidental de brasas calientes, no ponga la aspiradora sobre superficies susceptibles a los daños por calor, tales como alfombras, pisos de vinilo o superficies de madera. Vacíe el tambor después de cada uso. Deje que la aspiradora se enfríe antes de almacenarla, especialmente en espacios cerrados. No utilice bolsas de recolección de polvo.

ADVERTENCIA:

- Para su propia seguridad, lea y entienda el manual del usuario.
- No deje desatendida la aspiradora cuando esté en marcha.
- No recoja cenizas calientes, brasas, materiales inflamables, combustibles/autoincendiables o tóxicos, ni otros materiales peligrosos.
- No utilice la aspiradora cerca de líquidos o vapores explosivos.
- Para reducir el riesgo de descargas eléctricas, no use la aspiradora sobre superficies mojadas.
- No la exponga a la lluvia. Almacénela en un lugar interior.
- Esta aspiradora está diseñada para recoger residuos secos solamente; no aspire NUNCA líquidos con este producto.

REEMPLAZO GRATUITO DE LAS ETIQUETAS DE ADVERTENCIA: Si sus etiquetas de advertencia se vuelven ilegibles o faltan, llame al **1-888-331-4569** para obtener un reemplazo gratis.

GUARDE ESTAS INSTRUCCIONES

INTRODUCCIÓN

Esta aspiradora de ceniza está diseñada para uso doméstico. Se puede utilizar para aspirar residuos secos, incluyendo cenizas frías de chimeneas, parrillas, hornos, ceniceros, etc. No se deberá usar para recoger líquidos.

Lea este manual del usuario para familiarizarse con las características del producto y para entender la utilización específica de su nueva aspiradora.

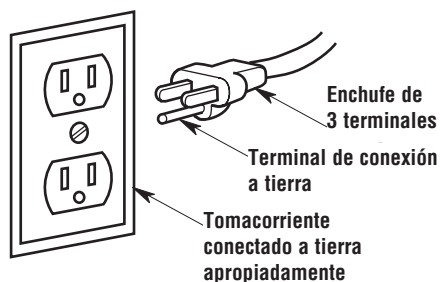
ÍNDICE

Sección	Página	Sección	Página
Instrucciones de seguridad importantes	37-38	Funcionamiento	46-47
Introducción	39	Funcionamiento del motor/eléctrico	46
Instrucciones de conexión a tierra	40	Vaciado del tambor de la aspiradora	47
Contenido de la caja de cartón	41	Mantenimiento	48-49
Instalación	42-45	Filtro de medios HEPA	48
Montaje de la cabeza motriz	42	Remoción y reemplazo del filtro	48
Desmontaje de la cabeza motriz	42	Remoción del filtro	48
Inserción de la manguera de fijación	43	Instalación del filtro	48
Ensamblaje de la manguera	43	Limpieza de un filtro de cartucho seco	49
Utilización de la boquilla con iluminación LED	44	Limpieza y desinfección de la aspiradora de ceniza	49
Reemplazo de las baterías de la boquilla con iluminación LED	44	Mantenimiento y almacenamiento del cable de alimentación	49
Almacenamiento del cordón de energía	45	Almacenamiento de la aspiradora de ceniza	
Almacenamiento de accesorios	45	Servicio / Piezas de repuesto	50
Almacenamiento del ensamblaje de la manguera ...	45	Garantía	51

INSTRUCCIONES DE CONEXIÓN A TIERRA

Esta aspiradora se debe conectar a tierra. En caso de mal funcionamiento o avería, la conexión a tierra proporciona una ruta de resistencia mínima para la corriente eléctrica con el fin de reducir el riesgo de sacudidas eléctricas. Esta aspiradora está equipada con un cordón que tiene un conductor de conexión a tierra del equipo y un enchufe de conexión a tierra. El enchufe debe introducirse en un tomacorriente apropiado que esté instalado correctamente y conectado a tierra adecuadamente, de acuerdo con todos los códigos y ordenanzas locales.

Fig. B



⚠ ADVERTENCIA:

La conexión incorrecta del conductor de conexión a tierra del equipo puede causar un riesgo de sacudidas eléctricas. Consulte a un electricista calificado o a una persona de servicio competente si tiene dudas sobre si el tomacorriente está conectado a tierra apropiadamente. No modifique el enchufe suministrado con el electrodoméstico. Si el enchufe no cabe en el tomacorriente, haga que un electricista calificado instale un tomacorriente apropiado.

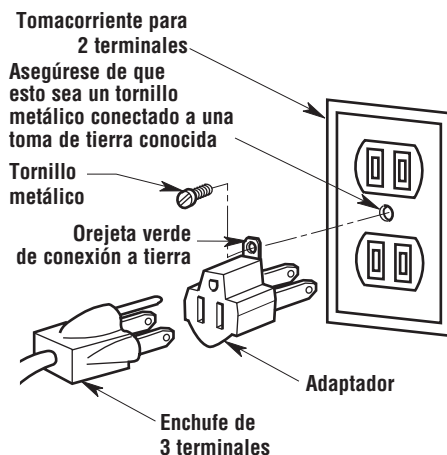
Esta aspiradora está diseñada para utilizarse en un circuito de 120 V nominales y tiene un enchufe conectado a tierra que tiene un aspecto como el del enchufe que se muestra en la ilustración.

Se puede utilizar un adaptador temporal, que tenga un aspecto como el del adaptador que se muestra en la ilustración, para conectar este enchufe a un receptáculo de dos polos, de la manera que se muestra en la ilustración. Si no se dispone de un tomacorriente conectado a tierra apropiadamente, el adaptador temporal debe utilizarse únicamente hasta que un electricista calificado pueda instalar un tomacorriente conectado a tierra apropiadamente.

La orejeta, lengüeta o pieza similar rígida de color verde que sobresale del adaptador se debe conectar a una toma de tierra permanente, como por ejemplo una tapa de caja tomacorriente conectada a tierra apropiadamente. Siempre que se utilice el adaptador, se debe sujetar en la posición correcta con un tornillo metálico.

NOTA: En Canadá, el uso de un adaptador temporal no está permitido por el Código Eléctrico Canadiense.

Fig. C

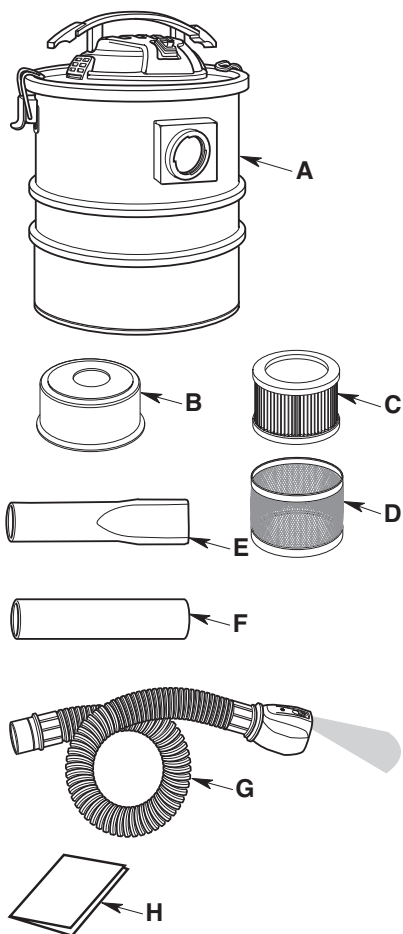


CONTENIDO DE LA CAJA DE CARTÓN (Fig. D)

Saque todo el contenido de la caja de cartón. Asegúrese de que no falte ningún artículo utilizando la lista del contenido de la caja.

Si alguna pieza está dañada o falta, devuelva el producto al minorista al cual se compró la unidad para obtener un reemplazo.

Fig. D



Clave	Descripción	Cant.
A	Aspiradora de ceniza (de 18 litros / 5 galones)	1
B	Cubierta metálica	1
C	Filtro de medios HEPA	1
D	Tamiz del filtro	1
E	Boquilla de tubos extensores	1
F	Tubo extensor	
G	Manguera fijable (con revestimiento metálico) con boquilla con iluminación LED	1
H	Manual de instrucciones	1

Estos artículos pueden venir preensamblados.

Si no están presentes en la caja de cartón, compruebe la cabeza motriz de la aspiradora para ver si están preensamblados.

INSTALACIÓN

Montaje de la cabeza motriz (Figs. E & F)

1. Alinee la parte delantera del ensamblaje de la cabeza motriz con el orificio de aspiración ubicado en la parte delantera del tambor, de la manera que se muestra en la ilustración.
2. Coloque el ensamblaje de la cabeza motriz sobre el tambor.
3. Asegúrese de que el ensamblaje de la cabeza motriz cubra por completo la parte superior del tambor, para que no haya fugas.
4. Rote los pestillos ubicados a cada lado del tambor, posicionando los ganchos de los pestillos sobre el reborde del ensamblaje de la cabeza motriz.
5. Acople a presión hacia abajo el borde inferior de los pestillos para sujetar firmemente el ensamblaje de la cabeza motriz al tambor.

Fig. E

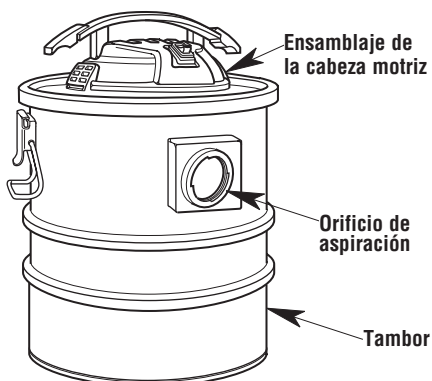
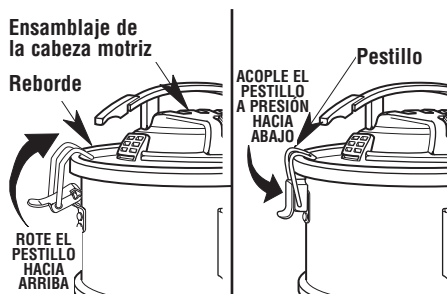


Fig. F



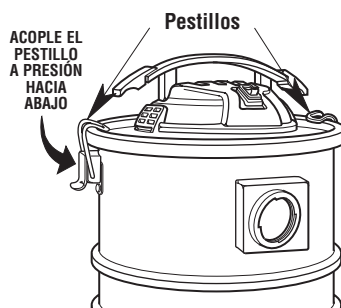
Desmontaje de la cabeza motriz (Fig. G)

⚠ ADVERTENCIA:

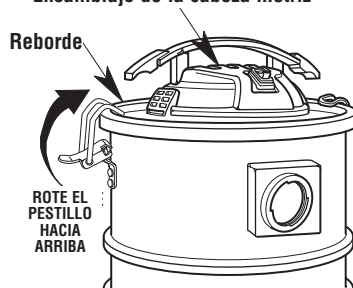
Para su propia seguridad, no conecte nunca el enchufe a un tomacorriente de la fuente de alimentación hasta que se hayan completado todos los pasos de ensamblaje y usted haya leído y entendido las instrucciones de seguridad y utilización. No utilice la aspiradora si alguna pieza está dañada o falta.

1. Agarre los pestillos del tambor ubicados tanto en el lado derecho como en el lado izquierdo de la aspiradora.
2. Jale lentamente la parte inferior de los pestillos hacia arriba y alejándola del tambor.
3. Una vez hecho eso, la parte superior de los pestillos estará libre de la cabeza motriz.
4. Suba la cabeza motriz respecto al tambor y póngalo sobre una superficie seca.

Fig. G



Ensamblaje de la cabeza motriz

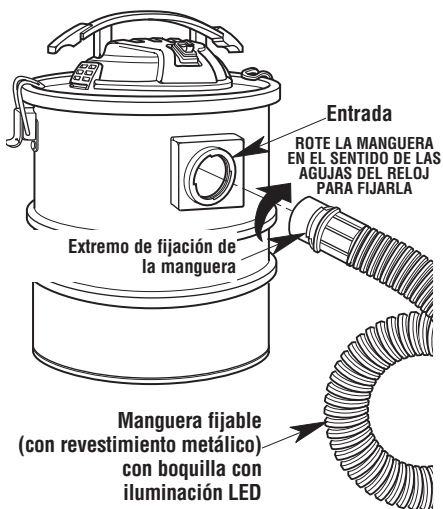


Inserción de la manguera de fijación (Fig. H)

NOTA: Utilice ÚNICAMENTE la manguera con recubrimiento metálico y los accesorios metálicos suministrados con esta aspiradora de ceniza.

1. Alinee las lengüetas de la manguera con la entrada e inserte el extremo de fijación de la manguera en la entrada del tambor de la aspiradora, de la manera que se muestra en la ilustración.
2. Rote la manguera en el sentido de las agujas del reloj para fijarla en la posición correcta.
3. Para retirar la manguera de la aspiradora, rote la manguera de fijación en sentido contrario al de las agujas del reloj y jale la manguera hasta sacarla de la entrada de la aspiradora.

Fig. H



Ensamblaje de la manguera (Figs. I & J)

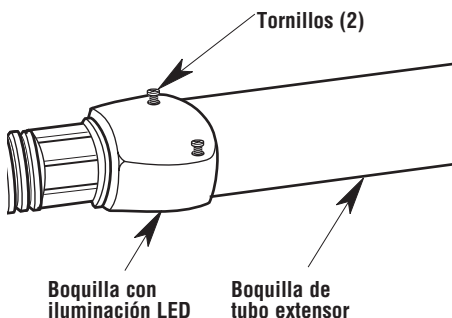
1. Deslice el extremo redondo de la boquilla de extensión hacia el interior del extremo cónico más pequeño de la boquilla de tubo extensor.

Fig. I



2. Afloje los dos tornillos del ensamblaje de luz LED, ubicados en la parte inferior de la boquilla con iluminación LED.
3. Deslice la boquilla de tubo extensor a través del ensamblaje de luz LED y hacia el interior del acoplamiento de caucho de la manguera.
4. Reapriete los dos tornillos del ensamblaje de luz LED para sujetar firmemente dicho ensamblaje de luz LED al ensamblaje de la manguera.

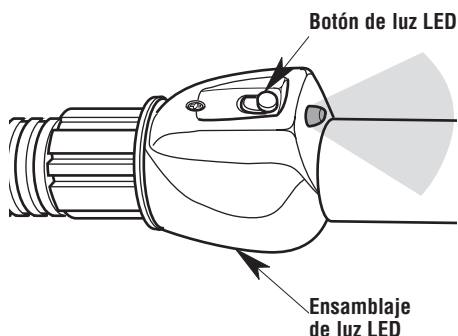
Fig. J



Utilización de la boquilla con iluminación LED (Fig. K)

1. Presione el botón para activar la luz LED mientras limpia con la aspiradora.
2. Deslice el interruptor hacia delante para bloquear la luz LED en la posición de ENCENDIDO.
3. Deslice el interruptor hacia atrás hasta la posición de APAGADO después del uso.

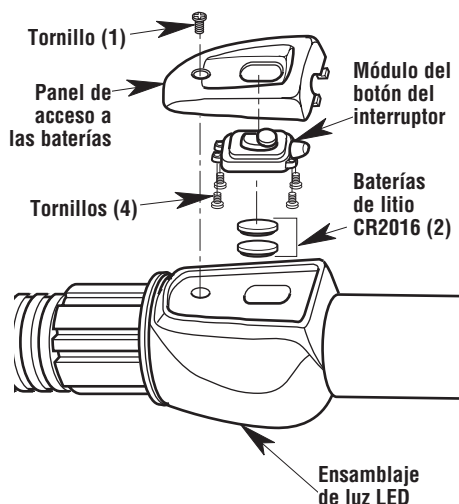
Fig. K



Reemplazo de las baterías de la boquilla con iluminación LED (Fig. L)

1. Para acceder a las baterías, retire y retenga el tornillo del panel de acceso a las baterías.
2. Retire y retenga los cuatro tornillos del ensamblaje de luz LED, con lo cual liberará el módulo del botón del interruptor.
3. Las dos baterías están ubicadas debajo del módulo del botón del interruptor. Deseche las baterías en el recipiente de eliminación de residuos adecuado.
4. La luz LED utiliza dos baterías de litio CR2016 que son reemplazables.
5. Reposicione el módulo del botón del interruptor sobre el compartimiento de las baterías. Instale los cuatro tornillos que retiró previamente en el módulo del botón del interruptor para fijar dicho módulo.
6. Reposicione el panel de acceso a las baterías sobre el módulo del botón del interruptor. Instale el tornillo que retiró previamente en el panel de acceso a las baterías para fijar dicho panel.

Fig. L



⚠ ADVERTENCIA:

Mantenga las baterías fuera del alcance de los niños pequeños. Consulte inmediatamente a un médico si alguien se traga una batería. Podrían ocurrir quemaduras o lesiones graves.

La batería contiene material a base de perclorato: Es posible que se requiera un manejo especial.

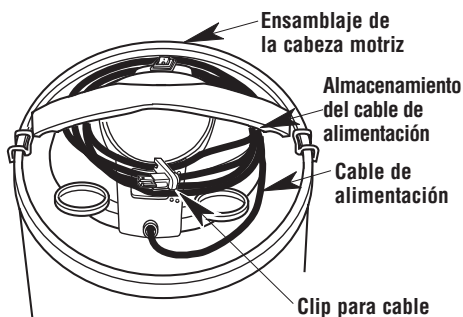
Consulte www.dts.ca.gov/hazardouswaste/perchlorate.

Almacenamiento del cable de alimentación (Fig. M)

El cable de alimentación se deberá enrollar alrededor del asa de transporte del ensamblaje de la cabeza motriz.

Acople a presión el clip para cable sobre el cable de alimentación, para sujetarlo firmemente en la posición correcta.

Fig. M



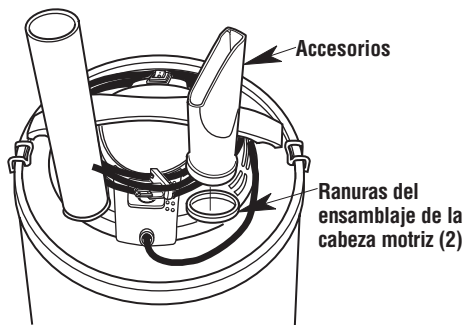
⚠ ADVERTENCIA:

Para prevenir lesiones graves por causa de descargas eléctricas, deje de usar la aspiradora inmediatamente si el cable de alimentación está dañado. Lleve la aspiradora a un distribuidor de servicio calificado para que sea inspeccionada y posiblemente reparada.

Almacenamiento de los accesorios (Fig. N)

Los accesorios se pueden almacenar en la parte trasera del ensamblaje de la cabeza motriz colocando cada accesorio en las ranuras del ensamblaje de la cabeza motriz.

Fig. N



Almacenamiento del ensamblaje de la manguera (Fig. O)

Enrolle la manguera alrededor de la parte superior del ensamblaje de la cabeza motriz una vez que este se haya enfriado, posicionando la manguera debajo del asa de transporte / área de enrollado de la manguera.

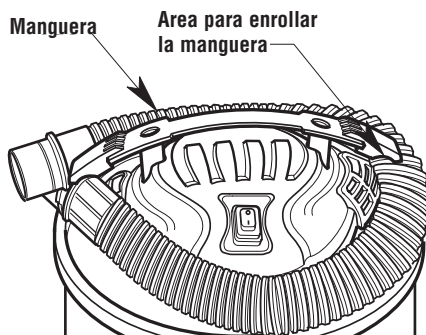
⚠ PRECAUCIÓN:

No utilice la aspiradora mientras la manguera aún esté enrollada alrededor del ensamblaje de la cabeza motriz en la posición de almacenamiento.

⚠ ADVERTENCIA:

No ponga ningún objeto en las aberturas de ventilación. No aspire si alguna abertura de ventilación está bloqueada; mantenga las aberturas de ventilación libres de polvo, pelusa, pelo o cualquier cosa que pueda reducir el caudal de aire.

Fig. O



FUNCIONAMIENTO

⚠️ ADVERTENCIA:

Para reducir el riesgo de incendio, explosión o daños a la aspiradora:

- No deje la aspiradora en marcha mientras esté desatendida. Usted podría no notar señales importantes que indiquen un funcionamiento anormal, tal como pérdida de succión, residuos que salen por el escape o ruidos anormales del motor. Deje de usar la aspiradora inmediatamente si observa estas señales.
- No deje la aspiradora enchufada cuando no se esté utilizando.
- Las chispas generadas dentro del motor pueden incendiar los materiales inflamables suspendidos en el aire. No utilice la aspiradora cerca de líquidos inflamables ni en áreas con gases o vapores inflamables o polvo explosivo/suspendido en el aire. Los líquidos inflamables, gases inflamables y los vapores inflamables incluyen: líquido encendedor, limpiadores tipo solvente, pinturas a base de aceite, gasolina, alcohol y rociadores tipo aerosol. Los polvos explosivos incluyen: carbón, magnesio, aluminio, grano de cereal y pólvora.
- No recoja con la aspiradora polvos explosivos, líquidos inflamables ni cenizas calientes.
- Vacíe la cubeta después de recoger estos materiales potencialmente autocalentables.

⚠️ ADVERTENCIA:

Para reducir el riesgo de descargas eléctricas o lesiones:

- No exponga la aspiradora a la lluvia ni deje que entre líquido en el compartimiento del motor. Almacene la aspiradora en un lugar interior.
- No maneje el enchufe, el interruptor o la aspiradora con las manos mojadas.
- No haga servicio de ajustes y reparaciones de la aspiradora mientras esté enchufada. Si la aspiradora no está funcionando como debería, le faltan piezas, se ha caído, está dañada, se ha dejado a la intemperie o se ha caído al agua, llame a servicio al cliente al 1-888-331-4569 (México 001-888-331-4569).
- Cuando utilice un cordón de extensión, utilice únicamente cordones con capacidad nominal para uso a la intemperie que estén en buenas condiciones. No deje que la conexión entre en contacto con líquido.

⚠️ PRECAUCIÓN:

Para reducir el riesgo de daños a la audición, use protectores de oídos cuando utilice la aspiradora durante un tiempo prolongado o en un área ruidosa.

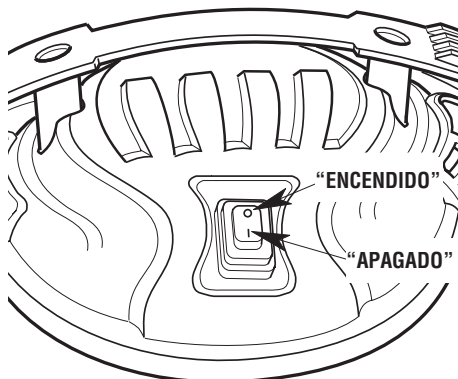
Funcionamiento del motor/eléctrico (Fig. P)

Esta aspiradora de ceniza tiene capacidad nominal para utilizarse con alimentación eléctrica de 120 V y 60 Hz. La aspiradora está equipada con un interruptor de corte de protección térmica que interrumpirá la alimentación eléctrica al motor de la aspiradora si se detectan temperaturas de funcionamiento excesivamente altas. Esta situación puede surgir como resultado de que haya una abertura de la aspiradora bloqueada o un filtro obstruido. Si se produce una desconexión térmica, ponga inmediatamente el interruptor de la aspiradora en la posición de APAGADO, desenchufe la unidad, inspecciónela para comprobar si hay un bloqueo del flujo de aire en la manguera y verifique el estado de los filtros (consulte Mantenimiento). Limpie o reemplace los filtros según sea necesario. La aspiradora requerirá varios minutos para enfriarse hasta una temperatura de funcionamiento segura. Cuando se alcance esta temperatura, el interruptor térmico se restablecerá automáticamente y la aspiradora se podrá usar de manera normal.

Después de enchufar el cordón de energía en el tomacorriente, encienda la unidad empujando el interruptor de la posición "O" a la posición "I". Los símbolos utilizados en el accionador del interruptor son los símbolos internacionales de "encendido y apagado".

○ = APAGADO | = ENCENDIDO

Fig. P



Vaciado del tambor de la aspiradora (Figs. Q & R)

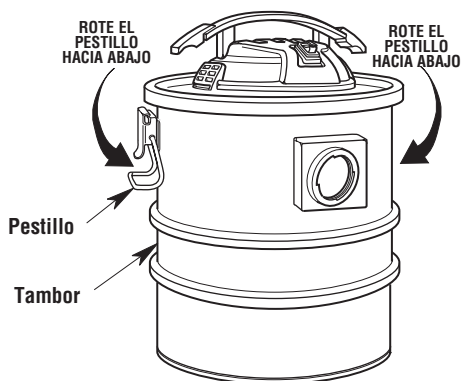
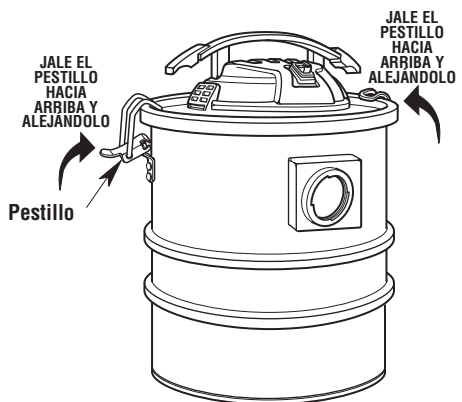
⚠️ ADVERTENCIA:

Para reducir el riesgo de lesiones debidas a un arranque accidental, desenchufe el cordón de energía antes de vaciar el tambor de la aspiradora.

NOTA: No almacene la aspiradora inmediatamente después de retirar ceniza o de otro uso en un área confinada o en un espacio cerrado. Deje que el ensamblaje de la cabeza motriz se enfríe y saque la ceniza del tambor antes de almacenar la unidad.

1. Agarre los pestillos del tambor ubicados a ambos lados del ensamblaje de la cabeza motriz.
2. Jale lentamente hacia arriba los pestillos del tambor, alejándolos del tambor.
3. La parte superior de los pestillos estará libre del ensamblaje de la cabeza motriz.

Fig. Q



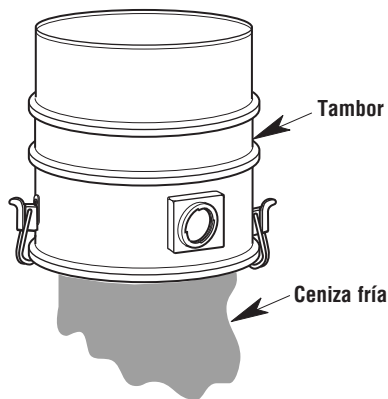
NOTA: Asegúrese de que la ceniza esté fría antes de verter el contenido en el recipiente de eliminación de residuos adecuado.

4. Levante el ensamblaje de la cabeza motriz y póngalo en un área limpia y seca.
5. Vacíe el tambor en el recipiente de eliminación de residuos adecuado.
6. Inspeccione el filtro de acuerdo con la sección "Remoción e instalación del filtro" de este manual.
7. Reensamble el ensamblaje de la cabeza motriz en el tambor.

⚠️ PRECAUCIÓN:

Para reducir el riesgo de daños a la audición, use protectores de oídos cuando utilice la aspiradora durante un tiempo prolongado o en un área ruidosa.

Fig. R



MANTENIMIENTO

Filtro de medios HEPA

⚠ ADVERTENCIA:

Para reducir el riesgo de lesiones debidas a un arranque accidental, desenchufe el cordón de energía antes de cambiar o limpiar el filtro.

El filtro HEPA se deberá limpiar a menudo para mantener un rendimiento máximo de la aspiradora.

IMPORTANTE: Es muy importante que el filtro de tamiz se instale antes de usar la unidad.

NOTA: El filtro de medios HEPA está hecho con material de alta calidad diseñado para detener el polvo y las partículas más pequeñas. Maneje cuidadosamente el filtro de medios HEPA cuando lo retire para limpiarlo o cuando instale un filtro de medios HEPA nuevo. Es posible que se formen arrugas en los pliegues del filtro de medios HEPA como resultado de la instalación, pero las arrugas no afectarán el rendimiento del filtro de medios HEPA.

Remoción e instalación del filtro

Remoción del filtro (Fig. S):

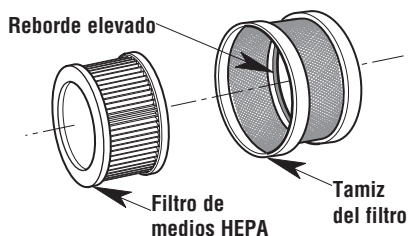
1. Rote el tamiz del filtro/filtro de medios HEPA en sentido contrario al de las agujas del reloj.

2. Retire el filtro de medios HEPA del tamiz del filtro.

NOTA: El tamiz del filtro se deberá limpiar con un cepillo.

3. Compruebe el filtro de la entrada del motor y límpielo o reemplácelo si es necesario.

Fig. S



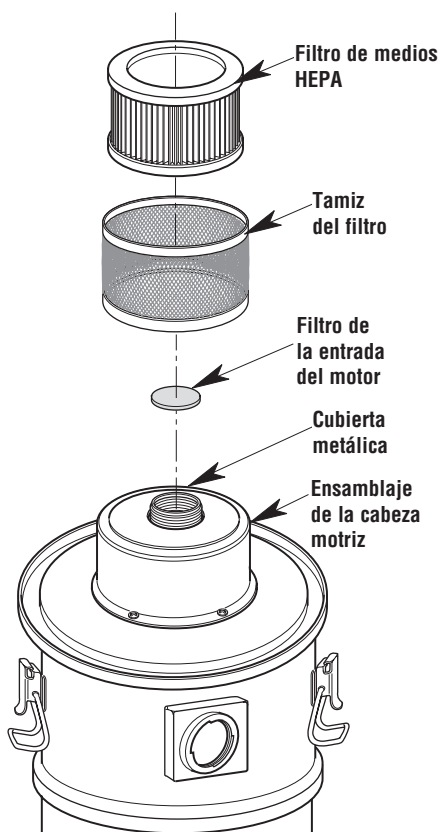
Instalación del filtro (Fig. T):

1. Reinstale el filtro de la entrada del motor.
2. Reinstale el filtro de medios HEPA en el interior del tamiz del filtro.

NOTA: Asegúrese de orientar el filtro de medios HEPA y el tamiz del filtro en la posición correcta, de la manera que se muestra en la ilustración. El tamiz del filtro tiene un reborde elevado en el interior del tamiz para sujetarlo en la posición correcta.

3. Rote el tamiz del filtro/filtro de medios HEPA en el sentido de las agujas del reloj sobre la cubierta metálica de la cabeza motriz.

Fig. T



Limpeza de un filtro de cartucho seco

NOTA: Para obtener los mejores resultados de limpieza al eliminar el polvo acumulado, limpie el filtro en un área abierta. La limpieza se DEBERÁ hacer en un lugar exterior y no en las áreas de vivienda.

1. La eliminación ligera de algunos residuos secos del filtro se puede lograr sin retirar el filtro de la aspiradora. Simplemente golpee con la mano la parte superior del asa mientras la aspiradora está apagada.
2. Retire el filtro de la aspiradora. Golpee suavemente el filtro contra la pared interior del tambor o contra el piso, y los residuos se soltarán y caerán.

Limpeza y desinfección de la aspiradora de ceniza

Para mantener la aspiradora de manera que tenga el mejor aspecto posible, limpie el exterior con un paño humedecido con agua templada y un jabón suave.

Para limpiar el tambor:

1. Vierta los residuos al exterior.
2. Lave completamente el tambor con agua templada y un jabón suave.
3. Limpie el tambor con un paño seco.

Mantenimiento y almacenamiento del cable de alimentación

Cuando haya terminado de limpiar con la aspiradora, desenchufe el cable de alimentación y enróllelo alrededor del asa de la cabeza motriz. Los accesorios se pueden almacenar en la parte trasera del e ensamblaje de la cabeza motriz.

⚠ ADVERTENCIA:

Para prevenir lesiones graves por causa de descargas eléctricas, deje de usar la aspiradora de inmediato si el cable de alimentación está dañado. Lleve la aspiradora a un proveedor de servicio calificado para que se realice su inspección y posible reparación.

Almacenamiento de la aspiradora de ceniza

Antes de almacenar la aspiradora, se deberá vaciar y limpiar el tambor. El cable de alimentación se deberá enrollar alrededor del asa de transporte, posicionando la manguera debajo de dicha asa. Los accesorios se deben mantener en la misma área que la aspiradora para que estén al alcance de la mano cuando se necesiten. La aspiradora se debe almacenar en interiores.

⚠ ADVERTENCIA:

Para garantizar la SEGURIDAD y CONFIABILIDAD del producto, cualquier otro mantenimiento, reparación y ajuste deberá ser realizado por los Centros de Servicio Autorizados, utilizando siempre piezas de repuesto CRAFTSMAN.

SERVICIO / PIEZAS DE REPUESTO

Aspiradora de ceniza de 18 Litros (5 Galones)

No. de modelo CMXEVB175850

Clasificaciones eléctricas: 120 V~ 7,6 A 60 Hz

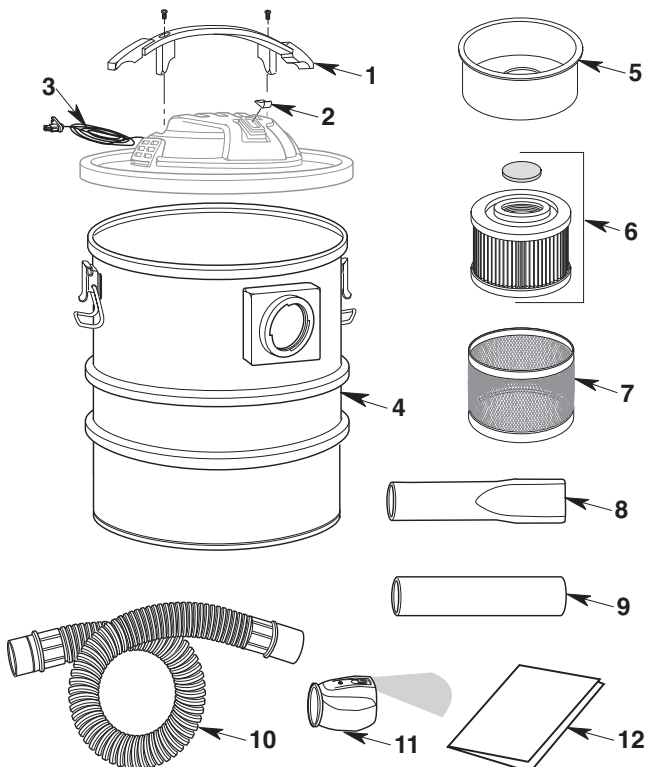
⚠ ADVERTENCIA: Para reducir el riesgo de lesiones, desenchufe el cable de alimentación antes de hacer servicio de ajustes y reparaciones de la aspiradora de ceniza.

⚠ ADVERTENCIA: Todo el desmontaje y todas las reparaciones deberán ser realizados por personal calificado.

Pida siempre por número de pieza –no por número de clave

Clave	No. de pieza	Descripción
1	836247-3	Asa de transporte
2	836248	Interruptor basculante
3	836265	Cable de alimentación
4	836506	Ensamblaje del tambor (Incluye tambor, entrada del tambor, pestillos del tambor, caja de cartón y etiqueta)
5	836257	Cubierta metálica
6	CMXZVBE38740	Filtro de medios HEPA con filtro de la entrada del motor

Clave	No. de pieza	Descripción
7	836270	Tamiz del filtro metálico
8	836276	Boquilla de extensión
9	836275	Boquilla de tubo extensor
10	836277	Manguera de fijación (con recubrimiento metálico)
11	836279	Ensamblaje de la boquilla con iluminación LED
12	SP7088	Manual del usuario



GARANTÍA LIMITADA DE CRAFTSMAN® DE 3 AÑOS

Esta garantía limitada es ofrecida por Emerson Tool Company, una división de Emerson Electric Co., ("Nosotros" o "Nuestro" o "Nuestra") al propietario y consumidor original ("Cliente" o "Usted" o "Su") del producto CRAFTSMAN con el cual se proporciona esta garantía limitada (el "Producto CRAFTSMAN").

Lo que está cubierto

Le garantizamos a Usted que su Producto CRAFTSMAN estará libre de defectos de materiales y de fabricación cuando se utilice en condiciones normales y de acuerdo con los términos del Manual de Instrucciones que se le proporcione a Usted con el Producto CRAFTSMAN, sujeto a las exclusiones que se describen a continuación, por un período de tres años a partir de la fecha de compra por Usted (el "Período de Garantía"). Esta garantía limitada se termina si el comprador original transfiere el Producto CRAFTSMAN a otra persona o entidad.

Lo que no está cubierto

Esta garantía limitada no se extiende a lo siguiente y lo excluye expresamente:

- El desgaste por el uso normal y/o los aditamentos o accesorios de repuesto, incluyendo, sin limitación, cables de alimentación, mangueras, filtros y otros aditamentos o accesorios que Nosotros pongamos a la venta para utilizarlos con el Producto CRAFTSMAN.
- Daños al motor del Producto CRAFTSMAN o quemadura de dicho motor que resulten del hecho de no eliminar una obstrucción que ocurra durante el transcurso del uso normal.
- Pérdida del Producto CRAFTSMAN o daños al mismo que ocurran como resultado de situaciones que estén más allá de Nuestro control, incluyendo, sin limitación, uso incorrecto, accidente, abuso, descuido, negligencia (que no sea por parte Nuestra), sobreutilización más allá de la capacidad prevista tal y como se establezca en el Manual de Instrucciones, o modificaciones o alteraciones realizadas por alguien ajeno a Nosotros.
- Pérdida del Producto CRAFTSMAN o daños al mismo que ocurran como resultado del hecho de no utilizar el Producto CRAFTSMAN de acuerdo con las instrucciones escritas, las directrices y los términos y condiciones que se establezcan en el Manual de Instrucciones.
- EN LA MEDIDA EN QUE LA LEY LO PERMITA, NO SEREMOS RESPONSABLES EN NINGÚN CASO POR DAÑOS INCIDENTALES, ESPECIALES, INDIRECTOS O EMERGENTES, INCLUSIVE CUALQUIER PÉRDIDA ECONÓMICA, TANTO SI SON EL RESULTADO DE UN RENDIMIENTO DEFICIENTE COMO DE UTILIZACIÓN, USO, USO INCORRECTO O INCAPACIDAD PARA UTILIZAR EL PRODUCTO CRAFTSMAN O NEGLIGENCIA POR PARTE DE ETC.

Cómo obtener servicio

EE.UU. y Canadá: Para obtener los beneficios de la garantía, contáctenos llamando gratis al 1-888-331-4569 (México 001-888-331-4569). Le dirigiremos al centro de servicio más cercano para revisar su aspiradora con el fin de inspeccionarla, repararla o reemplazarla.

México: Para obtener los beneficios de la garantía, contáctenos llamando gratis al 001-888-331-4569. Le dirigiremos al centro de servicio más cercano para revisar su aspiradora con el fin de inspeccionarla, repararla o reemplazarla.

No se aplica ninguna otra garantía expresa

Esta garantía limitada es la garantía única y exclusiva que se le proporciona a Usted. No se aplica ninguna otra garantía expresa, escrita u oral, incluyendo, SIN LIMITACIÓN, LAS GARANTÍAS DE COMERCIABILIDAD O IDONEIDAD PARA UN PROPÓSITO ESPECÍFICO. Ningún empleado, agente, distribuidor u otra persona está autorizado para alterar esta garantía limitada u ofrecer cualquier otra garantía en nombre Nuestra.

Lo que haremos para corregir los problemas

EL REMEDIO ÚNICO Y EXCLUSIVO QUE USTED TIENE BAJO ESTA GARANTÍA LIMITADA ESTARÁ LIMITADO A LA REPARACIÓN, EL REEMPLAZO O EL REEMBOLSO DEL PRODUCTO CRAFTSMAN.

Después de que Usted se haya puesto en contacto con el Departamento de Servicio al Cliente de Productos CRAFTSMAN, Nosotros iniciaremos los procedimientos de la garantía, incluyendo una inspección física, sujeto a las exclusiones y al Período de Garantía que se establecen en el presente documento, para determinar si reparar o reemplazar el Producto CRAFTSMAN o darle a Usted un reembolso. La decisión de reparar o reemplazar su Producto CRAFTSMAN o darle un reembolso es a Nuestra discreción exclusiva. La reparación o los reemplazos que ETC le provea a Usted son sin costo alguno para Usted si están cubiertos bajo esta garantía limitada.

Si no podemos proporcionarle a Usted un Producto CRAFTSMAN reparado o de repuesto que sea adecuado, le daremos un reembolso igual al precio de compra de su Producto CRAFTSMAN o un crédito para utilizarlo hacia la compra de un Producto CRAFTSMAN nuevo. En el caso de cualquier disputa entre el CLIENTE Y NOSOTROS, cualquiera de las dos partes podrá optar por resolver dicha disputa mediante arbitraje vinculante. ESTO SIGNIFICA QUE SI TANTO EL CLIENTE OPTA POR EL ARBITRAJE VINCULANTE COMO SI NOSOTROS OPTAMOS POR DICHO ARBITRAJE, NINGUNA DE LAS DOS PARTES TENDRÁ DERECHO A LITIGAR DICHO RECLAMO ANTE UN TRIBUNAL NI A TENER UN JUICIO CON JURADO. LOS DERECHOS AL PROCESO DE DESCUBRIMIENTO, ASÍ COMO LOS DERECHOS DE APELACIÓN, ESTÁN LIMITADOS.

Esta garantía limitada le confiere a usted derechos legales específicos y es posible que usted tenga también otros derechos, que varían de un estado a otro. Algunos estados no permiten la exclusión de los daños incidentales o emergentes, por lo que es posible que la limitación que antecede no tenga aplicación.

CONDICIONES

1. Para hacer efectiva esta garantía, deberá presentarse esta póliza debidamente sellada por el establecimiento que lo vendió, o la factura, o recibo, o comprobante en el que consten los datos específicos del producto objeto de la compraventa junto con el producto, en el establecimiento en que fue adquirido o en el nombre y domicilio del importador que aparece en este documento.

2. **SEARS OPERADORA MEXICO S.A. DE C.V.** se compromete a cambiar el producto sin ningún cargo para el consumidor y a cubrir los gastos de transportación que se deriven del cumplimiento de la presente garantía, dentro de la red de servicio.

*Para México:

Para obtener partes, componentes, accesorios y cobertura de garantía:
Visite la tienda donde compró su aspiradora CRAFTSMAN
o cualquier otra tienda Sears en México, o contacte a Servicio Técnico de Sears:
Poniente 146 No. 669, Col. Industrial Vallejo,
Azcapotzalco, Ciudad de México, C.P. 02300,
Tel. 55-5130-3940

Importador:

SEARS OPERADORA MEXICO S.A. DE C.V.
Lago Zúrich No. 245, Edificio Presa Falcón Piso 7,
Col. Ampliación Granada, Miguel Hidalgo,
Ciudad de México, C.P. 11529,
Tel. 5227-8000

Sello:

Fecha: _____

El consumidor podrá solicitar que se haga efectiva esta garantía y podrá obtener las partes, componentes, consumibles y accesorios en el nombre y domicilio del importador que aparece en este documento.

CRAFTSMAN®

is a registered trademark of Stanley Black & Decker, Inc., used under license.
es una marca registrada de Stanley Black & Decker, Inc., utilizada bajo licencia.
est une marque déposée de Stanley Black & Decker, Inc., utilisée sous licence.

© 2019 CRAFTSMAN

Product Manufactured by:	EMERSON TOOL COMPANY
Producto fabricado por:	8100 W. Florissant • St. Louis, MO 63136
Produit fabriqué par :	U.S. & Canada Only • É.-U. et Canada seulement • EE.UU. y Canadá solamente