

**INSTALLER: LEAVE THIS MANUAL WITH THE APPLIANCE.  
CONSUMER: RETAIN THIS MANUAL FOR FUTURE REFERENCE.  
NEVER LEAVE CHILDREN OR OTHER AT RISK INDIVIDUALS ALONE WITH THE APPLIANCE.**

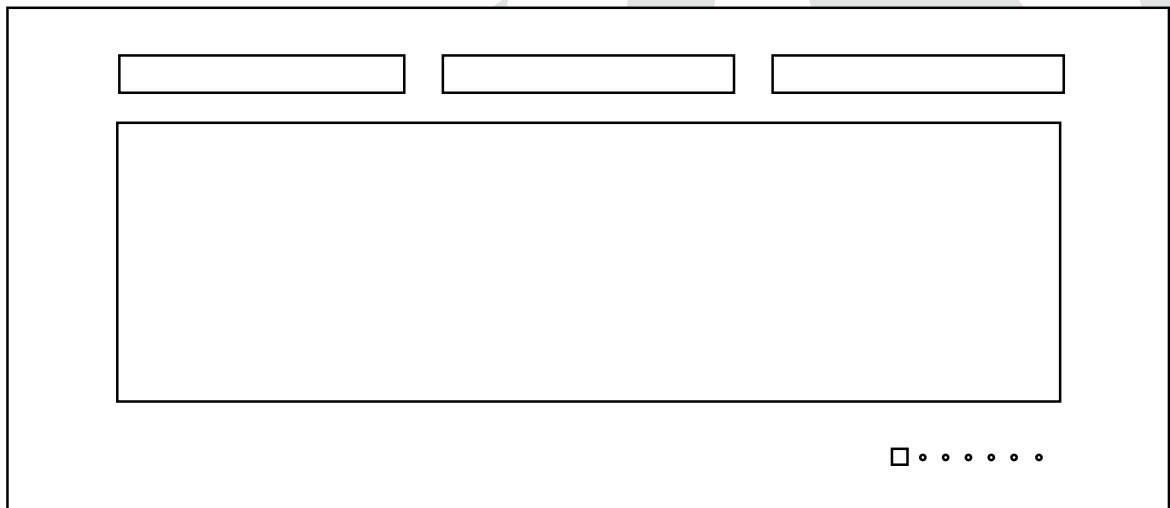


# INSTALLATION AND OPERATING INSTRUCTIONS

CERTIFIED UNDER CANADIAN AND AMERICAN NATIONAL STANDARDS: CSA C22.2 No-46 / UL 1278

## NEFL32FH, NEFL42FH, NEFL50FH, NEFL60FH, NEFL72FH, NEFL100FH

### ELECTRIC FIREPLACE



#### SAFETY INFORMATION



**If the information in these instructions are not followed exactly, a fire may result causing property damage, personal injury or loss of life.**

**- Do not store or use gasoline or other flammable vapors and liquids in the vicinity of this or any other appliance.**



Wolf Steel Ltd., 24 Napoleon Rd., Barrie, ON, L4M 0G8 Canada /  
103 Miller Drive, Crittenden, Kentucky, USA, 41030  
Phone (705)721-1212 • Fax (705)722-6031 • [www.napoleonfireplaces.com](http://www.napoleonfireplaces.com) • [hearth@napoleonproducts.com](mailto:hearth@napoleonproducts.com)

1.16E

EN

FR  
PG  
27

# TABLE OF CONTENTS

<b>1.0</b>	<b>INTRODUCTION</b>	<b>3</b>
1.1	DIMENSIONS	4
1.2	LISTING APPROVALS	4
1.3	GENERAL INSTRUCTIONS	5
1.4	UNPACKING AND TESTING APPLIANCE	5
1.5	HARDWARE PARTS LIST	6
1.6	RATING PLATE INFORMATION	7
<b>2.0</b>	<b>LOCATING APPLIANCE</b>	<b>8</b>
2.1	GROUNDING APPLIANCE	8
<b>3.0</b>	<b>INSTALLATION</b>	<b>9</b>
3.1	MINIMUM CLEARANCE TO COMBUSTIBLES	9
3.2	MINIMUM MANTEL CLEARANCES	9
3.3	INSTALLING THE APPLIANCE ONTO THE WALL	10
3.3.1	MINIMUM CLEARANCE TO COMBUSTIBLES	11
3.3.2	FRAMING	11
3.4	RECESSING THE APPLIANCE INTO THE WALL	12
3.4.1	INSTALLING THE APPLIANCE INTO A MANTEL	13
3.4.2	RUBBER FEET INSTALLATION	14
3.5	HARD WIRING INSTALLATION	15
<b>4.0</b>	<b>FINISHING</b>	<b>16</b>
4.1	FRONT GLASS INSTALLATION	16
4.2	FRONT GLASS REMOVAL	17
4.3	CRYSTAL EMBER INSTALLATION	17
<b>5.0</b>	<b>OPERATING INSTRUCTIONS</b>	<b>18</b>
5.1	MAIN POWER BUTTON	18
5.2	OPERATING TOUCH DISPLAY PANEL AND REMOTE CONTROL	18
<b>6.0</b>	<b>MAINTENANCE</b>	<b>19</b>
6.1	REMOTE BATTERY INSTALLATION	19
<b>7.0</b>	<b>WIRING DIAGRAM</b>	<b>20</b>
<b>8.0</b>	<b>REPLACEMENT PARTS</b>	<b>22</b>
<b>9.0</b>	<b>TROUBLESHOOTING</b>	<b>23</b>
<b>10.0</b>	<b>WARRANTY</b>	<b>24</b>
<b>11.0</b>	<b>SERVICE HISTORY</b>	<b>25</b>

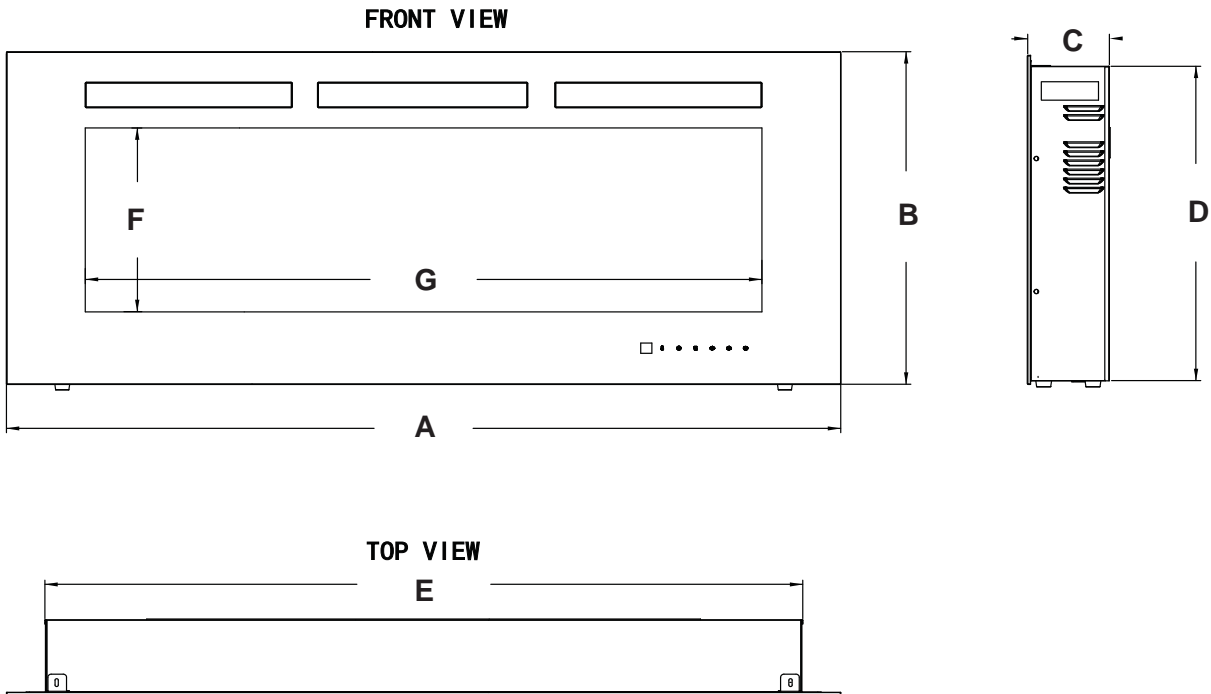
# 1.0 INTRODUCTION

## WARNING

- **THIS APPLIANCE IS HOT WHEN OPERATED AND CAN CAUSE SEVERE BURNS IF CONTACTED.**
- Do not operate appliance before reading and understanding operating instructions. Failure to operate appliance according to operating instructions could cause fire or injury.
- Risk of burns. Power to the appliance should be turned off and the appliance allowed to cool before servicing. To disconnect power to the appliance, turn controls to off, then remove plug from outlet.
- Do not install damaged, incomplete or substitute components.
- Do not burn wood or other materials in this appliance.
- Young children should be carefully supervised when they are in the same room as the appliance. Toddlers, young children and others may be susceptible to accidental contact burns. A physical barrier is recommended if there are at risk individuals in the house. To restrict access to an appliance or stove, install an adjustable safety gate to keep toddlers, young children and other at risk individuals out of the room and away from hot surfaces.
- Clothing or other flammable material should not be placed on or near the appliance.
- Due to high temperatures, the appliance should be located out of traffic and away from furniture and draperies.
- Ensure you have incorporated adequate safety measure to protect infants/toddlers from touching hot surfaces.
- Even after the appliance is out, the glass and/or screen will remain hot for an extended period of time.
- Check with your local hearth specialty dealer for safety screens and hearth guards to protect children from hot surfaces. These screens and guards must be fastened to the floor.
- Any safety screen or guard removed for servicing must be replaced prior to operating the appliance.
- It is imperative that the control compartments, circulating blower and its passageway in the appliance and are kept clean. The appliance should be inspected before use and at least annually by a qualified service person. More frequent cleaning may be required due to excessive lint from carpeting, bedding material, etc. The appliance area must be kept clear and free from combustible materials, gasoline and other flammable vapors and liquids.
- Under no circumstances should this appliance be modified.
- Do not use this appliance if any part has been under water. Immediately call a qualified service technician to inspect the appliance and to replace any part of the control system which has been under water.
- Do not operate the appliance with the glass door removed, cracked or broken. Replacement of the glass should be done by a licensed or qualified service person.
- Do not strike or slam shut the appliance glass door.
- Keep the packaging material out of reach of children and dispose of the material in a safe manner. As with all plastic bags, these are not toys and should be kept away from children and infants.
- Servicing should be done only while the appliance is disconnected from the power supply circuit.
- Always unplug appliance when not in use.
- Do not operate this appliance with a damaged cord or plug after the appliance malfunctions, has been dropped or damaged in any manner. Return appliance to authorized service facility for examination, electrical or mechanical adjustment, or repair.
- Do not use outdoors.
- Never locate appliance where it may fall into a bathtub or other water container.
- Do not run cord under carpeting. Do not cover cord with throw rugs, runners, or the like. Arrange cord away from traffic area and where it will not be tripped over.
- Connect to properly grounded outlets only.
- Do not insert or allow foreign objects to enter any ventilation or exhaust opening as this may cause an electric shock or fire, or damage the appliance.
- To prevent a possible fire, do not block air intakes or exhaust in any manner. Do not use on soft surfaces, like a carpet, where openings may become blocked.
- Always plug appliances directly into a wall outlet/receptacle. Never use an extension cord or relocatable power tap (outlet/power strip).
- Ensure clearances to combustibles are maintained when building a mantel or shelves above the appliance. Elevated temperatures on the wall or in the air above the appliance can cause melting, discolouration or damage to decorations, a T.V. or other electronic components.

3.7C

## 1.1 DIMENSIONS



## 1.2 LISTING APPROVALS

This appliance has been tested in accordance with the CSA Standards for fixed and location-dedicated electric room appliances in the United States and Canada. If you need assistance during installation, please contact your local dealer.


**NOTE:** This appliance must be electrically wired and grounded in accordance with local codes or, in the absence of local codes, with National Electric Code ANSI/NFPA 70-latest edition in the United States or the Canadian Electric Code, CSA C22.1 in Canada.

DIMENSIONS							
MODEL NUMBER	A	B	C	D	E	F	G
NEFL32FH	32" (813mm)	21 5/8" (550mm)	5" (127mm)	20 1/2" (520mm)	27 5/16" (694mm)	12" (304mm)	22 5/16" (567mm)
NEFL42FH	42" (1067mm)	21 5/8" (550mm)	5" (127mm)	20 1/2" (520mm)	37 1/2" (951mm)	12" (304mm)	32 5/16" (821mm)
NEFL50FH	50" (1270mm)	21 5/8" (550mm)	5" (127mm)	20 1/2" (520mm)	45 7/16" (1154mm)	12" (304mm)	40 5/16" (1024mm)
NEFL60FH	60" (1524mm)	21 5/8" (550mm)	5" (127mm)	20 1/2" (520mm)	55 5/16" (1405mm)	12" (304mm)	50 5/16" (1278mm)
NEFL72FH	72" (1830mm)	21 5/8" (550mm)	5" (127mm)	20 1/2" (520mm)	67 3/8" (1711mm)	12" (304mm)	62 5/8" (1583mm)
NEFL100FH	100" (2540mm)	21 5/8" (550mm)	5" (127mm)	20 1/2" (520mm)	95 3/8" (2422mm)	12" (304mm)	90 9/16" (2300mm)

MODEL NO.	NET WEIGHT	GROSS WEIGHT
NEFL32FH	34.6 lbs (15.7kg)	50.3 lbs (22.8kg)
NEFL42FH	44.3 lbs (20.1kg)	60.2 lbs (27.3kg)
NEFL50FH	50.9 lbs (23.1kg)	77.4 lbs (35.1kg)
NEFL60FH	61.3 lbs (27.8kg)	88.1 (40kg)
NEFL72FH	81.8 lbs (37.1kg)	117.3 (53.2kg)
NEFL100FH	111.3 lbs (50.5kg)	159.4 (72.3kg)

Description	Electric Fireplace
Type	3 Way Mounting Unit Wall-Mount, Recess into Wall and Assemble with mantel
Voltage	120V AC
Watts	MAX 1500W
Amps	15 AMP Grounded Circuit

### 1.3 GENERAL INSTRUCTIONS

 <b>WARNING</b>
<b>READ THESE INSTRUCTIONS COMPLETELY BEFORE BEGINNING INSTALLATION. FAILURE TO FOLLOW THEM COULD CAUSE AN APPLIANCE MALFUNCTION RESULTING IN SERIOUS INJURY AND/OR PROPERTY DAMAGE.</b>
<b>ALL ELECTRIC APPLIANCES HAVE HOT AND ARCING OR SPARKING PARTS INSIDE. DO NOT USE IT IN AREAS WHERE GASOLINE, PAINT OR FLAMMABLE LIQUIDS ARE PRESENT.</b>
<b>THIS ELECTRIC APPLIANCE IS TESTED AND LISTED FOR USE ONLY WITH THE OPTIONAL ACCESSORIES LISTED IN THESE INSTRUCTIONS. USE OF OPTIONAL ACCESSORIES NOT SPECIFICALLY TESTED FOR THIS ELECTRIC APPLIANCE COULD VOID THE WARRANTY AND/OR RESULT IN A SAFETY HAZARD.</b>
<b>DO NOT OPEN. RISK OF ELECTRIC SHOCK. NO USER-SERVICEABLE PARTS INSIDE.</b>
<b>DO NOT USE DAMAGED ELECTRICAL CORDS.</b>
<b>SERVICING SHOULD BE DONE ONLY WHILE THE APPLIANCE IS DISCONNECTED FROM THE POWER SUPPLY CIRCUIT.</b>
<b>TO PREVENT ELECTRIC SHOCK MATCH THE WIDE BLADE OF PLUG TO WIDE SLOT OF RECEPTACLE AND FULLY INSERT.</b>

- A. Prior to plugging your appliance into an electrical outlet, verify that the house circuit breakers for the outlet are on.
- B. The appliance may emit a slight, harmless odour when first used. This odour is normal and it is caused by the initial heating of internal appliance elements and will not occur again.
- C. If your appliance does not emit heat, consult the operation section of this manual for further information.
- D. Use with a CSA- or UL-certified surge protector.
- E. Do not route the power cord directly underneath the appliance.

This electric appliance meets the construction and safety standards of H.U.D. for application in manufactured homes when installed according to these instructions.

4.8B

**As with most electronic devices, your new electric fireplace has been designed to operate at temperatures between 5°C (41°F) and 35° C (95°F). During the colder winter months, allow the fireplace to reach room temperature before turning it on.**

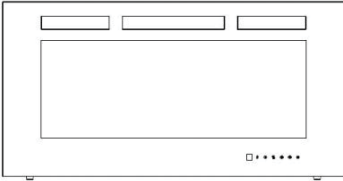

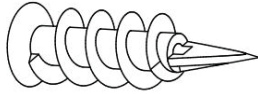
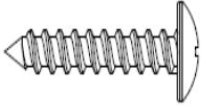



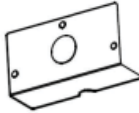

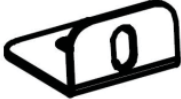




### 1.4 UNPACKING AND TESTING APPLIANCE

Carefully remove the appliance from the box. Prior to installing the appliance, test to make sure the appliance operates properly by plugging the power supply cord into a conveniently located 120 Volt, 15 Amp grounded outlet.

**NOTE:** The NEFL50/60/72/100FH appliances are shipped with the front glass not assembled onto the appliance. Refer to the "FRONT GLASS INSTALLATION" sections for assembly.

## 1.5 HARDWARE PARTS LIST

EN

 <p><b>A - Fireplace</b> NEFL32FH-100FH ( 1 )</p>	 <p><b>B - Wood Screws</b> NEFL32FH-50FH ( 6 ) NEFL60FH-72FH ( 12 ) NEFL100FH ( 16 )</p>	 <p><b>C - Drywall Anchors</b> NEFL32FH-50FH ( 6 ) NEFL60FH-72FH ( 12 ) NEFL100FH ( 16 )</p>
 <p><b>D - ST4x12 Metal Screws</b> NEFL32FH-100FH ( 8 )</p>	 <p><b>E - Remote Control</b> NEFL32FH-100FH ( 1 )</p>	 <p><b>F - Wall Bracket</b> NEFL32FH-50FH ( 1 ) NEFL60FH-100FH ( 2 )</p>
 <p><b>G - Crystals</b> NEFL32FH-100FH ( 2 )</p>	 <p><b>H - Cover Plate</b> NEFL32FH-100FH ( 1 )</p>	 <p><b>I - Strain Relief</b> NEFL32FH-100FH ( 1 )</p>
 <p><b>J - Metal Bracket</b> NEFL32FH-100FH ( 4 )</p>	 <p><b>K - Cord Corner</b> NEFL32FH-100FH ( 2 )</p>	 <p><b>L - Cord Corner</b> NEFL32FH-100FH ( 2 )</p>
 <p><b>M - Cord Cover</b> NEFL32FH ( 2 ) NEFL42FH-100FH ( 1 )</p>	 <p><b>N - Rubber Foot</b> NEFL32FH-50FH ( 4 ) NEFL60FH-100FH ( 6 )</p>	

## 1.6 RATING PLATE INFORMATION

CERTIFIED UNDER CANADIAN AND AMERICAN NATIONAL STANDARD: CSA 22.2 NO. 46 AND UL 2021 / HOMOLOGUÉ SELON LES NORMES NATIONALES CANADIENNES ET AMÉRICAINES: CSA 22.2 NO. 46 UL 2021	
ELECTRIC FIREPLACE. SUITABLE FOR BEDROOM AND BED-SITTING ROOM INSTALLATION. SUITABLE FOR MOBILE HOME INSTALLATION.	FOYER À ÉLECTRIQUE. HOMOLOGUE POUR INSTALLATION DANS UNE CHAMBRE À COUCHER, UNE SALLE DE BAIN ET UN STUDIO. APPROPRIÉ POUR INSTALLATION DANS UNE MAISON MOBILE.
<b>MASTER CONTRACT: 161746</b>	<b>CONTRAT-CADRE: 161746</b>
<input type="checkbox"/> NEFL32FH <input type="checkbox"/> CEFL32FH <input type="checkbox"/> NEFL42FH <input type="checkbox"/> CEFL42FH <input type="checkbox"/> NEFL50FH <input type="checkbox"/> CEFL50FH	 <b>MODELS / MODÈLES</b> <input type="checkbox"/> NEFL60FH <input type="checkbox"/> CEFL60FH <input type="checkbox"/> NEFL72FH <input type="checkbox"/> CEFL72FH <input type="checkbox"/> NEFL100FH <input type="checkbox"/> CEFL100FH
<b>VOLTAGE: 120 VAC</b>	<b>TENSION: 120VCA</b>
<b>FREQUENCY: 60Hz</b>	<b>FRÉQUENCE: 60Hz</b>
<b>POWER: 1500W</b>	<b>PUISSANCE: 1500W</b>
<b>DATE CODE:</b>	<b>CODE DE DATE:</b>
DESIGNED IN NORTH AMERICA BY WOLF STEEL LTD.	DESIGN AMÉRIQUE DE NORD PAR WOLF STEEL LTD.
MADE IN CHINA	FABRIQUE EN CHINE
<b>WOLF STEEL LTD.</b> 24 NAPOLEON ROAD, BARRIE, ON, L4M 0G8 CANADA	<b>SERIAL NUMBER/NO. DE SERIE: NEFL</b>
	W385-2095

**INSTALLER:** It is your responsibility to check off the appropriate box on the rating plate according to the model of the appliance.

This illustration is for reference only. Refer to the rating plate on the appliance for accurate information.

**NOTE:** The rating plate must remain with the appliance at all times. It must not be removed.

## 2.0 LOCATING APPLIANCE

EN

### ! WARNING

**DUE TO HIGH TEMPERATURES, THIS ELECTRIC APPLIANCE SHOULD BE LOCATED OUT OF TRAFFIC. KEEP COMBUSTIBLE MATERIALS SUCH AS FURNITURE, PILLOWS, BEDDING, PAPERS, CLOTHES AND CURTAINS AT LEAST 36" FROM THE FRONT OF THE APPLIANCE.**

**NEVER LOCATE THIS ELECTRIC APPLIANCE WHERE IT MAY FALL INTO A BATHTUB OR OTHER WATER CONTAINER.**

**WEAR SAFETY GLOVES AND SAFETY GLASSES FOR PROTECTION DURING INSTALLATION AND MAINTENANCE.**

**TO PREVENT CONTACT WITH SAGGING OR LOOSE INSULATION, THE ELECTRIC APPLIANCE MUST NOT BE INSTALLED AGAINST VAPOR BARRIER OR EXPOSED INSULATION. LOCALIZED OVERHEATING COULD OCCUR AND A FIRE COULD RESULT.**

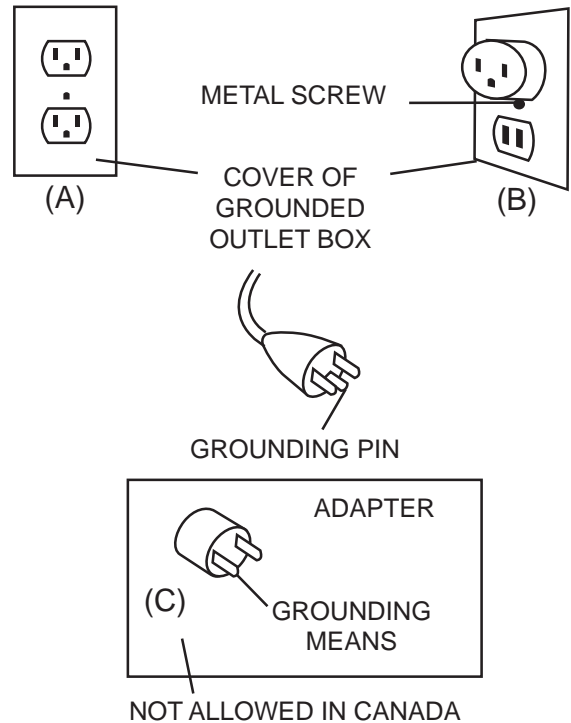
**DO NOT EXPOSE THE ELECTRIC APPLIANCE TO THE ELEMENTS (SUCH AS RAIN, ETC.)**

### 2.1 GROUNDING APPLIANCE

This appliance is for use on 120 volts. The cord has a plug as shown in (A). An adapter as shown in (C) is available for connecting three-blade grounding type plugs to two-slot receptacles. The green grounding lug extending from the adapter must be connected to a permanent ground such as a properly grounded outlet box. The adapter should not be used if a three-slot grounded receptacle is available.

To disconnect appliance, turn controls to off, then remove plug from outlet.

#### GROUNDING METHODS



### 3.0 INSTALLATION

EN

<b>! WARNING</b>	
RISK OF FIRE! THE POWER CORD MUST NOT BE PINCHED AGAINST A SHARP EDGE. SECURE CORD TO AVOID TRIPPING OR SNAGGING TO REDUCE THE RISK OF FIRE, ELECTRIC SHOCK OR PERSONAL INJURY. DO NOT RUN CORD UNDER CARPETING. DO NOT COVER CORD WITH THROW RUGS, RUNNERS OR THE LIKE. ARRANGE CORD AWAY FROM TRAFFIC AREAS AND WHERE IT WILL NOT BE TRIPPED OVER.	
RISK OF FIRE! TO PREVENT A POSSIBLE FIRE, DO NOT BLOCK AIR INTAKE OR EXHAUST IN ANY MANNER. DO NOT USE ON SOFT SURFACES WHERE OPENINGS MAY BECOME BLOCKED.	
RISK OF FIRE! DO NOT BLOW OR PLACE INSULATION AGAINST THE APPLIANCE.	
THIS ELECTRIC APPLIANCE IS TESTED AND LISTED FOR USE ONLY WITH THE APPROVED OPTIONAL ACCESSORIES. USE OF OPTIONAL ACCESSORIES NOT SPECIFICALLY TESTED FOR THIS ELECTRIC APPLIANCE COULD VOID THE WARRANTY AND/OR RESULT IN A SAFETY HAZARD.	
IF THE INFORMATION IN THESE INSTRUCTIONS IS NOT FOLLOWED EXACTLY, A FIRE OR EXPLOSION MAY RESULT CAUSING PROPERTY DAMAGE, PERSONAL INJURY OR DEATH. DO NOT STORE OR USE GASOLINE OR OTHER FLAMMABLE VAPORS IN THE VICINITY OF THIS OR ANY OTHER APPLIANCE.	
THIS APPLIANCE IS HEAVY. IT IS HIGHLY RECOMMENDED THAT TWO PEOPLE INSTALL THIS APPLIANCE.	
HEATER VENTS ON THE ELECTRIC APPLIANCE CANNOT, IN ANY WAY, BE COVERED AS IT MAY CREATE A FIRE HAZARD.	
DO NOT RUN THE POWER CORD HORIZONTALLY, DIRECTLY BELOW THE APPLIANCE.	

68.5A

Your appliance is a wall-mounted, recessed and/or mantel installed appliance. Select a suitable location that is not susceptible to moisture and is away from drapes, furniture and high traffic areas.

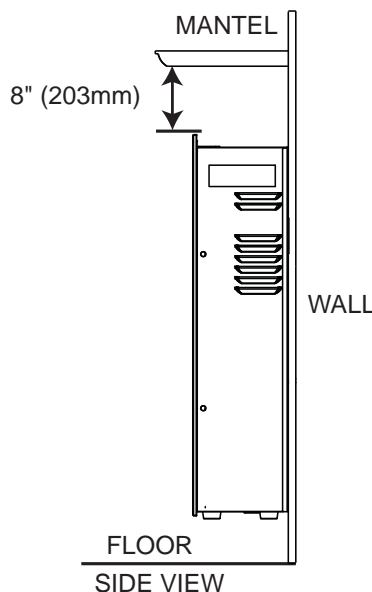
**NOTE:** Follow all National and local electrical codes.

#### 3.1 MINIMUM CLEARANCE TO COMBUSTIBLES

Measurements are taken from the glass front.			
Bottom	0"	Top	8" (203mm) to mantel
Sides	0"	Top	8" (203mm) to ceiling
Back	0"		

#### 3.2 MINIMUM MANTEL CLEARANCES

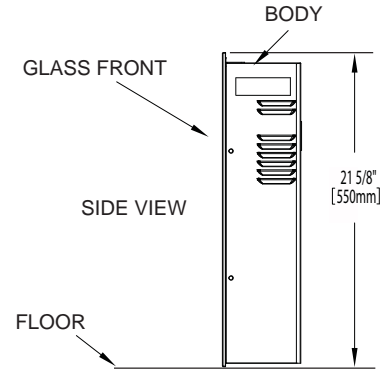
<b>! WARNING</b>	
WHEN USING PAINT OR LACQUER TO FINISH THE MANTEL, THE PAINT OR LACQUER MUST BE HEAT RESISTANT TO PREVENT DISCOLOURATION.	



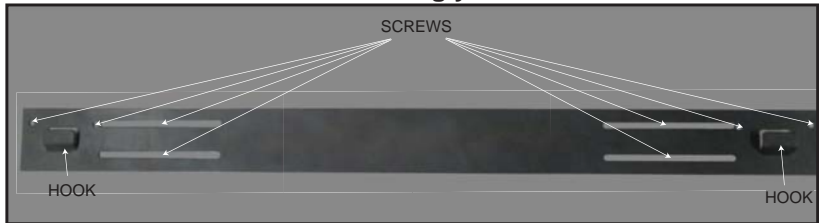
### 3.3 INSTALLING THE APPLIANCE ONTO THE WALL

Due to the many different materials used on different walls, it is highly recommended that you consult your local builder before you install this appliance on the wall.

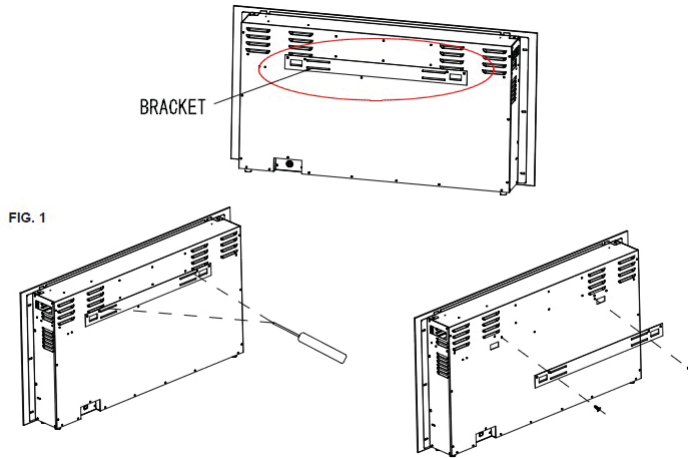
- A. Select a location that is not prone to moisture and is located at least 36" (914mm) away from combustible materials such as curtain drapes, furniture, bedding, paper, etc.
- B. Have two people hold the appliance against the wall to determine the final location.
- C. Place unit face down on a soft, non abrasive surface. Remove the bracket from the back of the unit by removing the screws, refer to Figure 1.



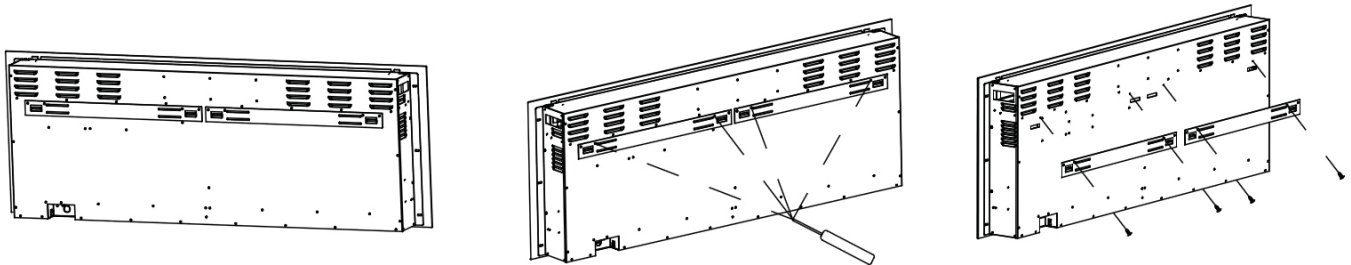
- D. Mark out location, then mount the bracket(s) onto the wall using the supplied screws. This bracket **MUST** have the hooks facing upward and be level. **NOTE: It is strongly recommended that the mounting bracket be screwed into the wall studs where possible. If the wall studs cannot be used, ensure that the supplied plastic anchors are used to affix the bracket to the wall and the bracket is adequately secured.**



- E. With the wall mounting bracket installed have two people lift the appliance up and insert the two hooks on the bracket into the two slots on the back of the appliance.
- F. Check the appliance for stability ensuring that the bracket will not pull free from the wall.



NEFL32/42/50FH BRACKET ILLUSTRATED



NEFL60/72/100FH BRACKET ILLUSTRATED

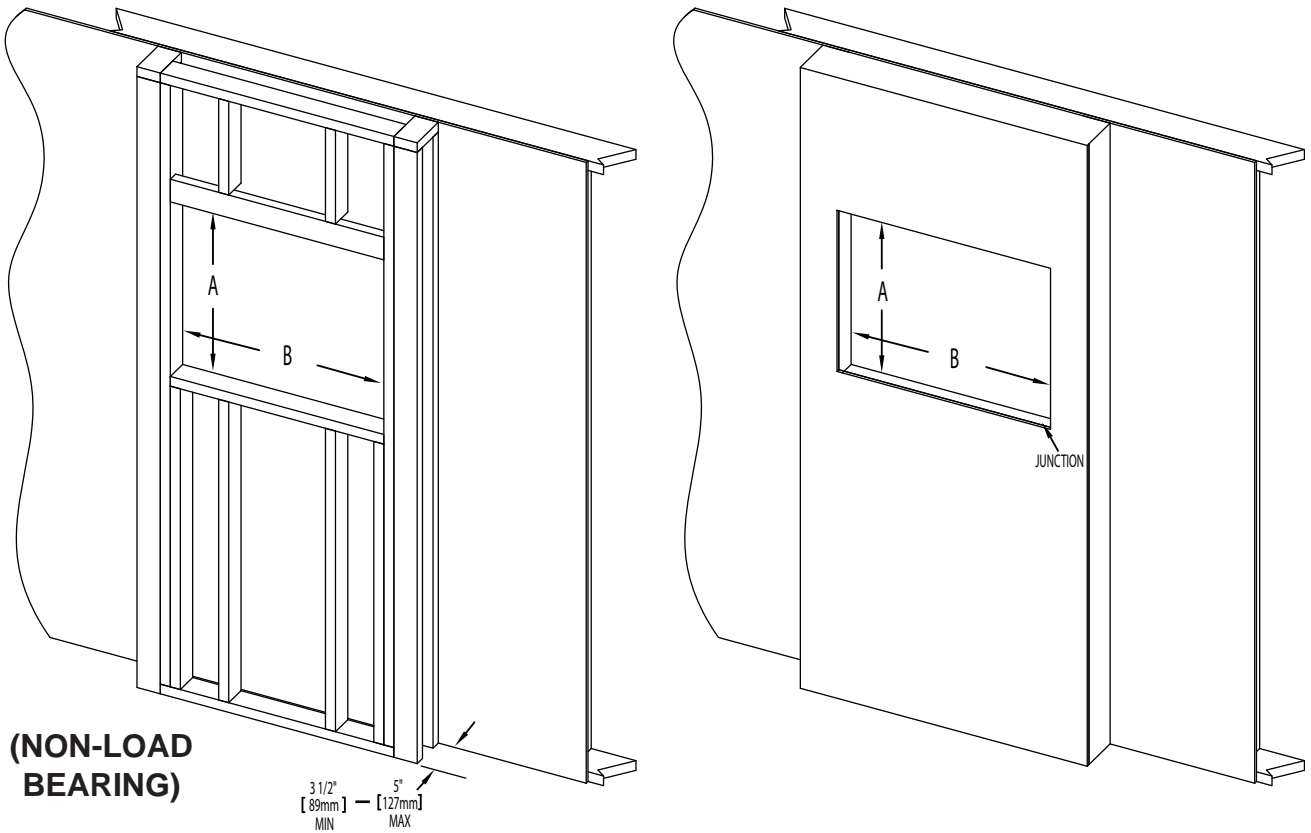
3.3.1 MINIMUM CLEARANCE TO COMBUSTIBLES

<b>Measurements are taken from the body.</b>	
Sides, back and top	0"

EN

3.3.2 FRAMING

**Finishing Material**



MODEL NO.	A	B
NEFL32FH	21" (535mm)	27 13/16" (707mm)
NEFL42FH	21" (535mm)	38" (965mm)
NEFL50FH	21" (535mm)	45 15/16" (1166mm)
NEFL60FH	21" (535mm)	55 13/16" (1418mm)
NEFL72FH	21" (535mm)	67 7/8" (1725mm)
NEFL100FH	21" (535mm)	95 7/8" (2435mm)



### 3.4 RECESSING THE APPLIANCE INTO THE WALL

Due to the many different finish materials used on walls, it is highly recommended that you consult your local builder before you install this appliance in the wall.

Select a location that is not prone to moisture and is located at least 36" (914mm) away from combustible materials such as curtain drapes, furniture, bedding, paper etc.

- A. Measure the appliance and create a rough in with electrical.
- B. Remove the front glass, refer to "FRONT GLASS REMOVAL" section.
- C. Hold the appliance up to ensure it will fit into the framing.
- D. If the appliance is fully recessed into the wall:
  - Bend the two top tabs upward on the front glass, Figure 4.
  - Use the 6 screws (provided) to lock the appliance into the wall with the existing two side flanges, see Figure 2.
  - Install the media and reinstall the glass front.
- E. If partial recess into the wall:
  - Use the two mounting brackets (supplied) to lock the appliance to the wall, see Figure 3.

**NOTE:** Two sets of holes are provided for recessing into wall. The wall structure may limit how far the appliance can be recessed. Use the appropriate set of holes when recessing to the frame, it may be necessary to use the four holes on the top and bottom.

**NOTE:** It is recommended the walls of the appliance enclosure be finished (ie. drywall) to avoid exposed insulation or vapour barrier coming in contact with the appliance. This will ensure clearance to combustibles is maintained.

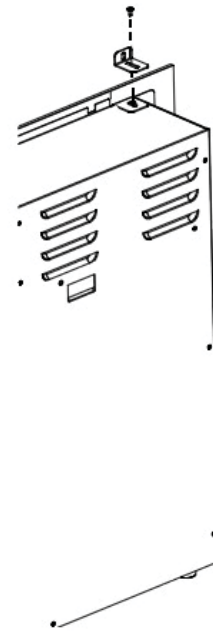
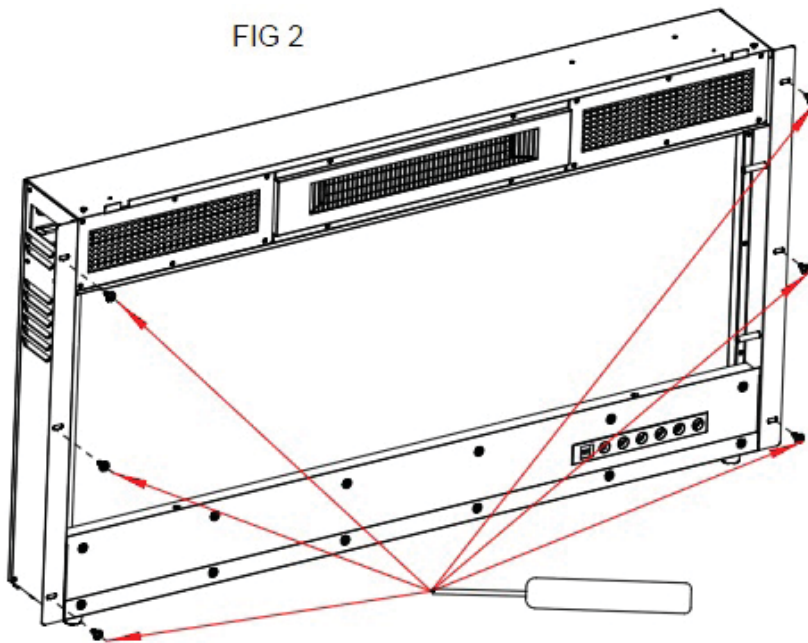
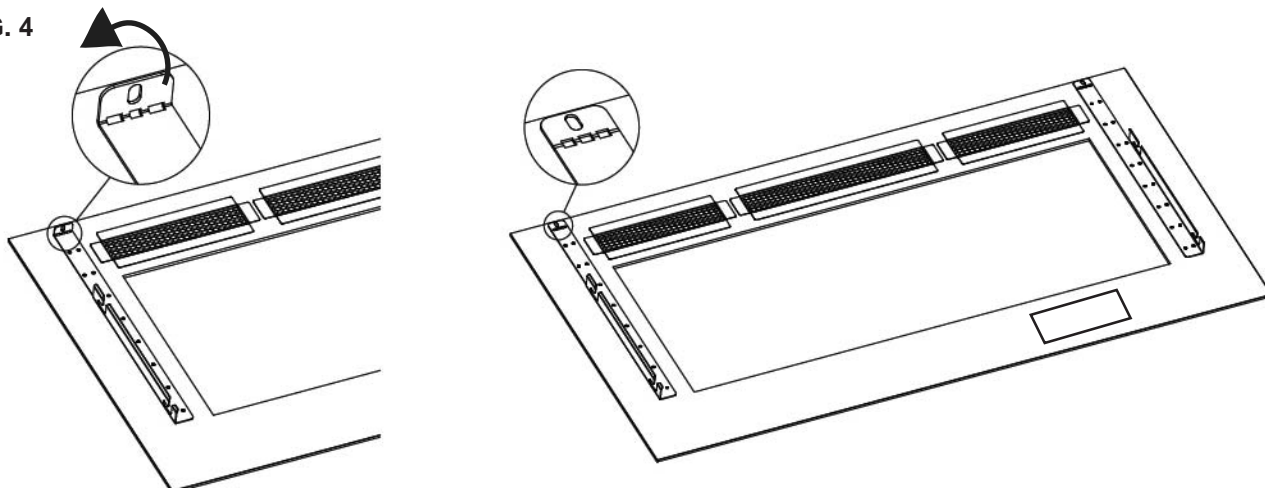


FIG 3

**NOTE:** The appliance tabs come bent. You must bend the tab flat by hand when fully recessing the appliance into the wall, Figure 4.

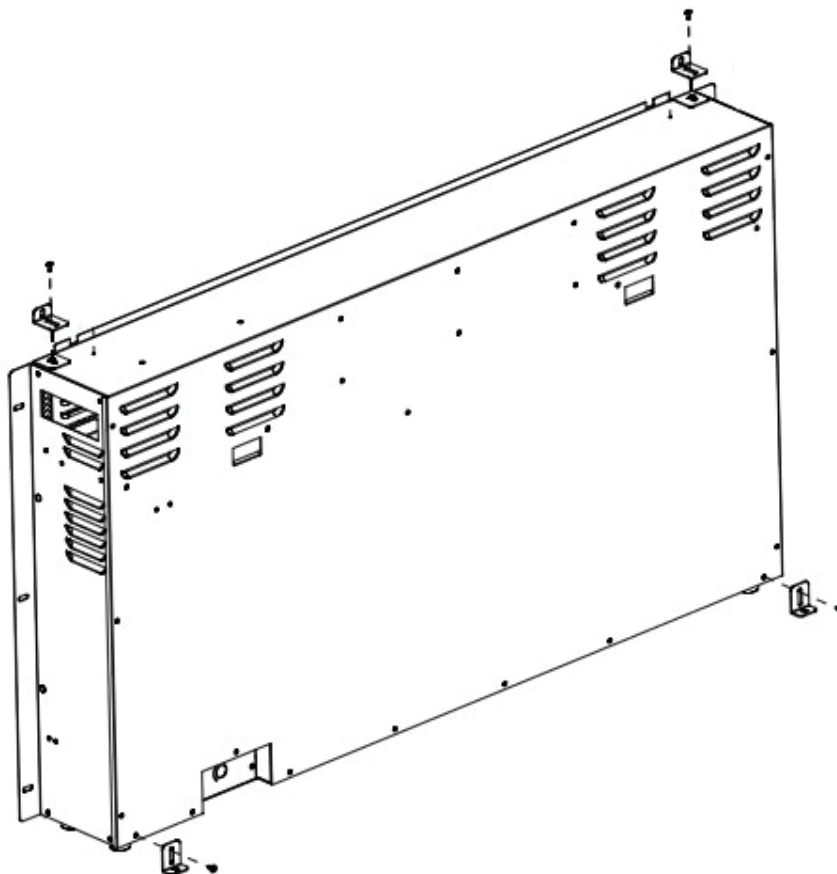
FIG. 4



EN

### 3.4.1 INSTALLING THE APPLIANCE INTO A MANTEL

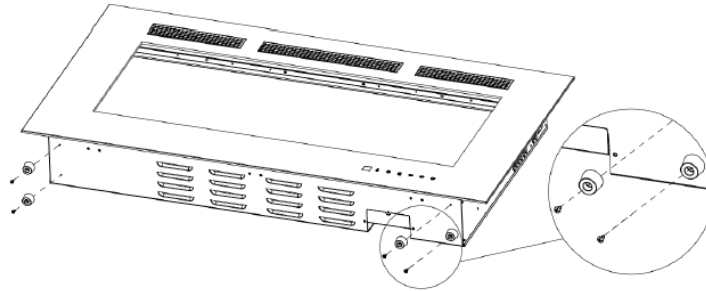
- A. Remove the glass front, refer to "FRONT GLASS REMOVAL " section for removal instructions.
- B. Install the rubber feet onto the bottom of the appliance for stability, refer to "RUBBER FEET INSTALLATION" section for instructions.
- C. Install the top and bottom brackets provided.
- D. Insert the appliance into the mantel and secure it with the brackets or refer to "ELECTRIC FIREPLACE MANTEL" installation manual for proper appliance installation instructions.
- E. Place the crystal embers along the media tray, refer to "CRYSTAL EMBER INSTALLATION" section.
- F. Reinstall the glass front.



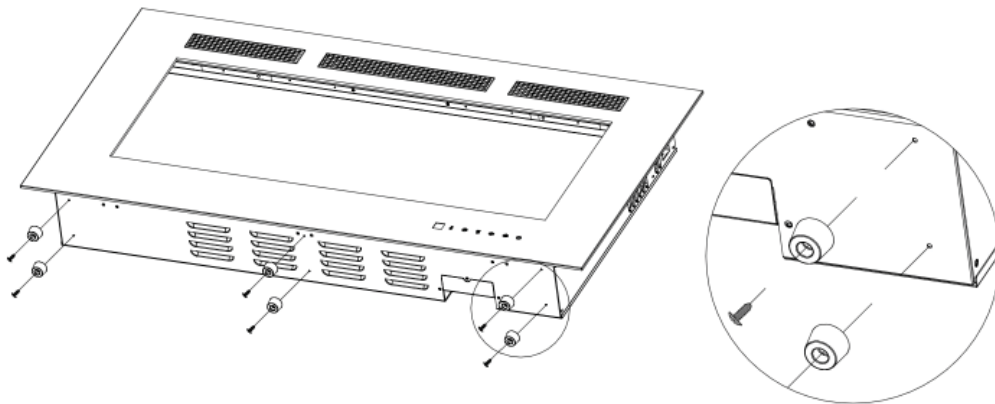
### 3.4.2 RUBBER FEET INSTALLATION

- A. Place the appliance face down on a soft surface.
- B. Using a screw driver, remove the screws on the bottom of the appliance.
- C. Install the 4 rubber feet (6 rubber feet for NEFL60/72/100FH) onto the bottom of the appliance using the screws from Step B, see below.

**NOTE:** The screws for installing the rubber feet are secured to the appliance. Removal of the screws is necessary for installing the rubber feet.



NEFL32/42/50FH ILLUSTRATED



NEFL60/72/100FH ILLUSTRATED

## 3.5 HARD WIRING INSTALLATION

**! WARNING**

**TURN OFF THE APPLIANCE COMPLETELY AND LET COOL BEFORE SERVICING. ONLY A QUALIFIED SERVICE PERSON SHOULD SERVICE AND REPAIR THIS ELECTRIC APPLIANCE.**

**HARD WIRING CONNECTION**

If it is necessary to hard wire this appliance, a qualified electrician must remove the cord connection, and wire the appliance directly to the house hold wiring.

This appliance must be electrically connected and grounded in accordance with local codes, if hard wired. In the absence of local codes, use the current CSA C22.1 CANADIAN ELECTRICAL CODE in Canada or the current ANSI/NFPA 70 NATIONAL ELECTRICAL CODE in the United States.

Fig. 1

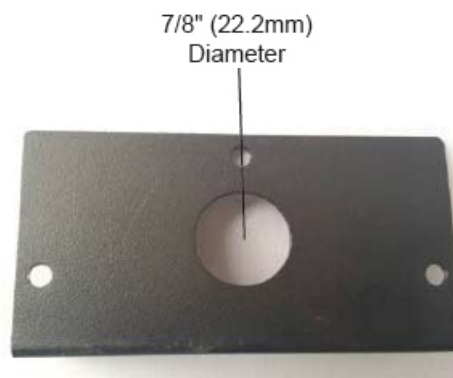
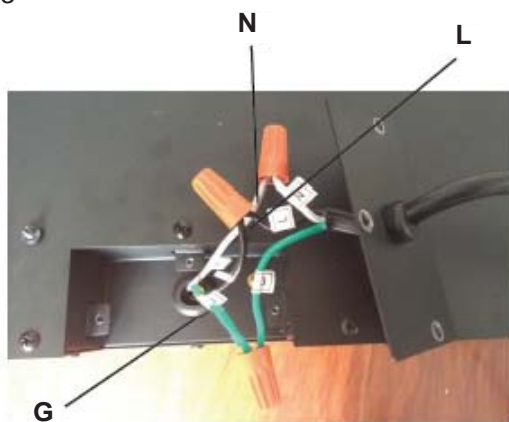


Fig. 2



- A.** Remove the cover plate from the right side bottom of the appliance by removing the three screws, as shown above.
- B.** Remove the wire connectors from the power cord. The power cord may be discarded.
- C.** Take the new cover plate, supplied in the hardware bag. Punch out the 7/8" (22.2mm) hole and install a box connector through, into the junction box. Snap the box connector clamp onto the supply wires.
- D.** Using the wire connectors, connect the ground green wires (G), the common white wires (N) together, then the hot black wires (L) and then the refer to Figure 3.
- E.** Reinstall the cover plate using the three screws, as shown in Figure 1.

Fig. 3



## 4.0 FINISHING

EN

**! WARNING**

**POWER SUPPLY SERVICE MUST BE COMPLETED PRIOR TO FINISHING TO AVOID RECONSTRUCTION.**

**HEAT VENTS AND AIR OPENINGS CANNOT BE COVERED IN ANY CIRCUMSTANCES.**

## 4.1 FRONT GLASS INSTALLATION

**! WARNING**

**BEFORE THE FRONT GLASS IS INSTALLED OR REMOVED UNPLUG THE APPLIANCE AND WAIT UNTIL APPLIANCE IS COOL TO THE TOUCH. GLASS CAN BE HEAVY AND FRAGILE SO HANDLE WITH CARE.**

75.1

**FOR MODELS NEFL50/60/72/100FH ONLY:**

- A. Before installing the front glass, remove the screws securing the paper board on the inside of the appliance that protects the control panel. Discard the paper board.
- B. Reinstall the screws, see Figure 1. (For recessed installed appliances only)
- C. Remove the 2 screws from the top of the appliance.
- D. Have two people, lift the glass up and away from the appliance, holding the glass vertical not flat while carrying. Place the glass face down onto a soft, non-abrasive surface, careful not to flex the glass.
- E. Bend the top tabs flat, see Figure 2
- F. Install the crystal embers, refer to "CRYSTAL EMBER INSTALLATION" section.
- G. Install the front glass by aligning with the pins on the appliance. Press the glass in and down to securely engage with the brackets. It must be fully engaged to ensure the touch display panel performs properly.
- H. Secure the front glass using the screws provided to the top of the appliance, see Figure 3. (If fully recessed this is not necessary)

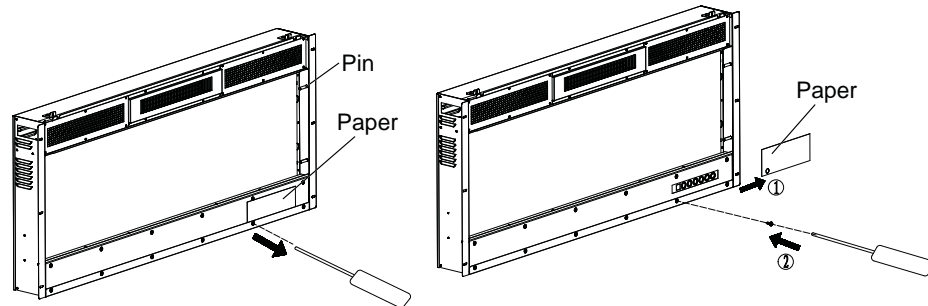
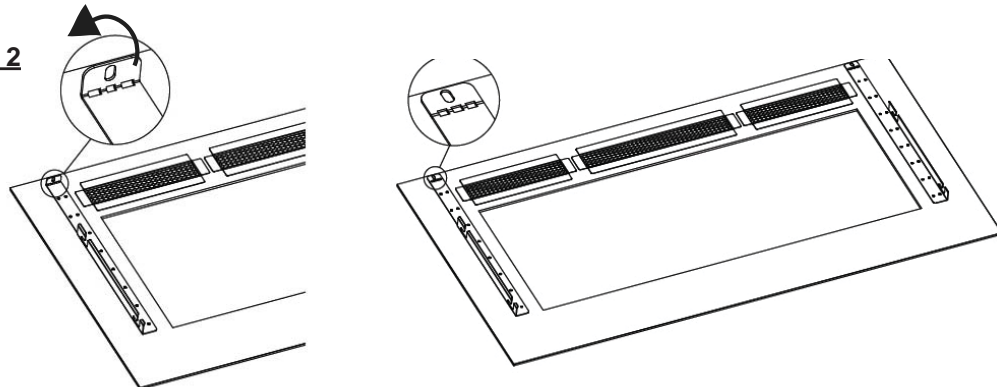
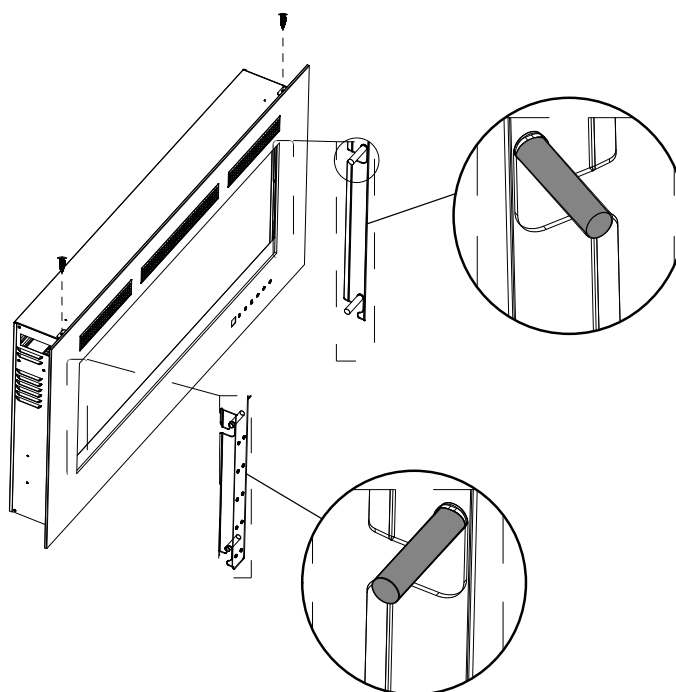
**FIG. 1****FIG. 2**

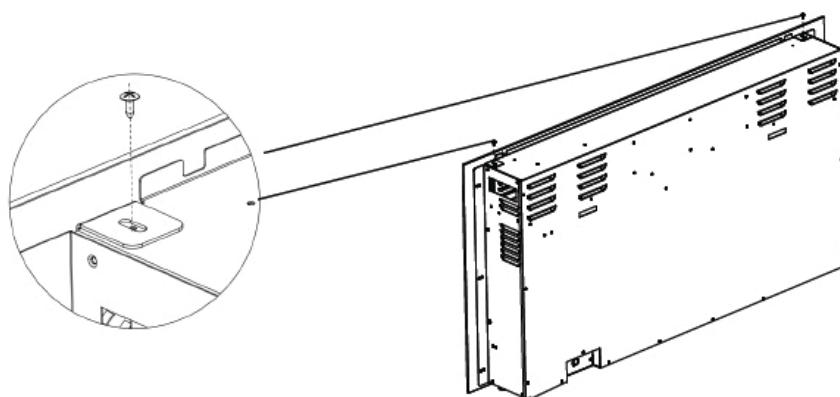
FIG. 3



## 4.2 FRONT GLASS REMOVAL

### **FOR WALL MOUNT, PARTIAL RECESS AND MANTEL INSTALLED APPLIANCE ONLY:**

- A. Remove the 2 screws from the top of the appliance, as shown below.
- B. Have two people, lift the glass up and away from the appliance, holding the glass vertical not flat while carrying. Place the glass face down onto a soft, non-abrasive surface, careful not to flex the glass.
- C. Install the crystal embers, refer to "CRYSTAL EMBER INSTALLATION" section. Install the front glass by aligning with the pins on the appliance. This ensures the touch display panel performs properly.



## 4.3 CRYSTAL EMBER INSTALLATION

The glass front must be removed and the appliance must be secured in its final location before the crystal embers are installed.

- A. Carefully place crystal embers into the bottom media tray on the front of the appliance as illustrated. Apply an even layer from side to side.



## 5.0 OPERATING INSTRUCTIONS

EN

**! WARNING**

**WHILE THE APPLIANCE IS OPERATING DO NOT REMOVE THE GLASS PANEL. THIS WILL CAUSE THE REMOTE CONTROL AND TOUCH PANEL TO DISFUNCTION.**

Once the appliance has been plugged into a grounded electrical outlet, it is ready to operate.

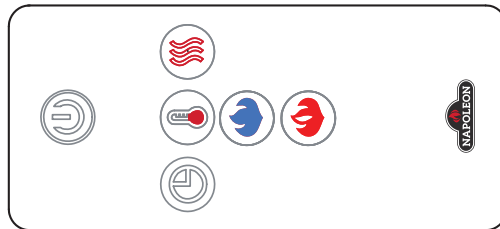
**NOTE:** Ensure the house circuit breakers for the power supply are turned on. In the event of a power failure, the appliance will lose its memory function and will reset to factory mode when the power returns.

### 5.1 MAIN POWER BUTTON







The Main Power button is located on the front bottom right side of the appliance.



### 5.2 OPERATING TOUCH DISPLAY PANEL AND REMOTE CONTROL



The touch display panel is shown by LED's on the front bottom right of the appliance. The LED's will disappear after 10 seconds of no function change. The Main Power button will be dim.

<b>POWER</b>		Turns the appliance ON/OFF.																																					
<b>FLAME - ORANGE</b>		Controls Orange Flame brightness. <b>6 Settings:</b> ( F5-F4-F3-F2-F1-F0 ) Flame dims from F5 to F1. F5 is the brightest setting and F0 is off.																																					
<b>FLAME - BLUE</b>		Controls Blue Flame brightness. <b>6 Settings:</b> ( F5-F4-F3-F2-F1-F0 ) Flame dims from F5 to F1. F5 is the brightest setting and F0 is off..																																					
<b>HEATER</b>		Controls the Heater. Press button to initiate the heater. (H0) no heater or blower. (BL) blower only. (H1), heater blows warm air (750W) (H2), heater blows hot air (1500W) <b>NOTE: Heater functions cycle from H0-BL-H1-H2, Press and hold the heater button for 5s, the heater and temperature setting will be locked onto the selected setting. Hold the button for 5s again, the heater will be unlocked.</b>																																					
<b>TIMER</b>		Controls the Timer. <b>9 Settings:</b> (0.5h, 1h, 2h, 3h, 4h, 5h, 6h, 7h, 8h) Press button until reach desired setting.																																					
<b>TEMPERATURE</b>		<ol style="list-style-type: none"> <li><b>Press once:</b> Touch panel indicator becomes active.</li> <li>Press again until desired setting is reached. Digital display shows setting circles as below.</li> </ol> <table border="1" style="margin-left: 20px;"> <thead> <tr> <th>Display Value</th> <th>0</th> <th>1</th> <th>2</th> <th>3</th> <th>4</th> <th>5</th> <th>6</th> <th>7</th> <th>8</th> <th>9</th> <th>N</th> </tr> </thead> <tbody> <tr> <td rowspan="2">Temperature</td> <td>°C</td> <td>18</td> <td>19</td> <td>20</td> <td>21</td> <td>22</td> <td>23</td> <td>24</td> <td>25</td> <td>26</td> <td>27</td> <td>ON</td> </tr> <tr> <td>°F</td> <td>64</td> <td>66</td> <td>68</td> <td>70</td> <td>72</td> <td>74</td> <td>76</td> <td>78</td> <td>80</td> <td>82</td> <td>ON</td> </tr> </tbody> </table> <p><b>NOTE:</b> Press the button for 5 seconds, the temperature setting will switch from °C to °F. Same way from °F to °C.</p>	Display Value	0	1	2	3	4	5	6	7	8	9	N	Temperature	°C	18	19	20	21	22	23	24	25	26	27	ON	°F	64	66	68	70	72	74	76	78	80	82	ON
Display Value	0	1	2	3	4	5	6	7	8	9	N																												
Temperature	°C	18	19	20	21	22	23	24	25	26	27	ON																											
	°F	64	66	68	70	72	74	76	78	80	82	ON																											

**WARNING:** Do not move or remove the glass panel, when the appliance is plugged in and operating. This will cause the remote control and touch panel to no longer function.



## 6.0 MAINTENANCE

### **! WARNING**

#### PREPARATION FOR MAINTENANCE

**ALWAYS DISCONNECT THE POWER AND ALLOW THE ELECTRIC APPLIANCE TO COOL BEFORE PERFORMING ANY CLEANING, MAINTENANCE OR RELOCATION OF THIS ELECTRIC APPLIANCE. TURN CONTROLS TO OFF AND REMOVE PLUG FROM OUTLET OR TURN OFF THE HOUSE CIRCUIT BREAKER TO ELECTRIC APPLIANCE RECEPTACLE.**

**DO NOT INSTALL REPLACEMENT LAMPS THAT EXCEED SPECIFIED MAXIMUM WATTS.**

**THE HALOGEN LAMPS IN YOUR APPLIANCE CAN BECOME EXTREMELY HOT. ALLOW AT LEAST 10 MINUTES BETWEEN TURNING OFF THE APPLIANCE AND REMOVING THE LAMPS TO AVOID ACCIDENTAL BURNS.**

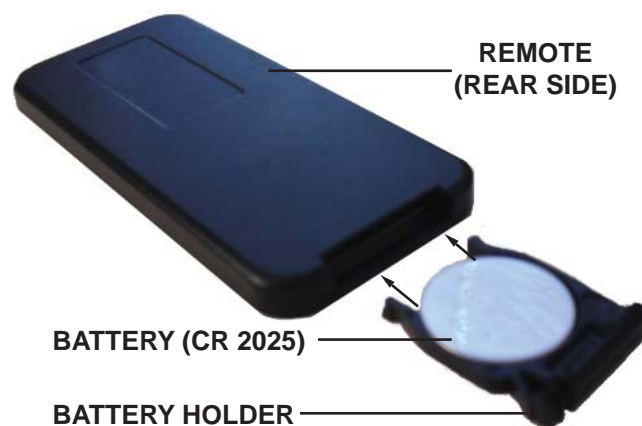
**DO NOT HANDLE THE LAMP WITH BARE FINGERS, OILS FROM YOUR SKIN WILL DAMAGE THE LAMPS WHEN THEY HEAT UP. USE GLOVES OR A CLEAN DRY CLOTH WHEN HANDLING LAMPS.**

EN

### 6.1 REMOTE BATTERY INSTALLATION

**NOTE:** The remote control has a removable plastic tab to prolong the battery life while shipping, remove the tab for the remote control to function.

1. To replace the existing battery remove the battery holder.
2. To remove the battery holder turn remote onto rear side and press the left side lever towards the center while pulling the battery holder out using the slot provided.
3. Replace existing battery, type CR 2025, with a new battery and reinstall the battery holder into the remote by sliding it into position, as shown.



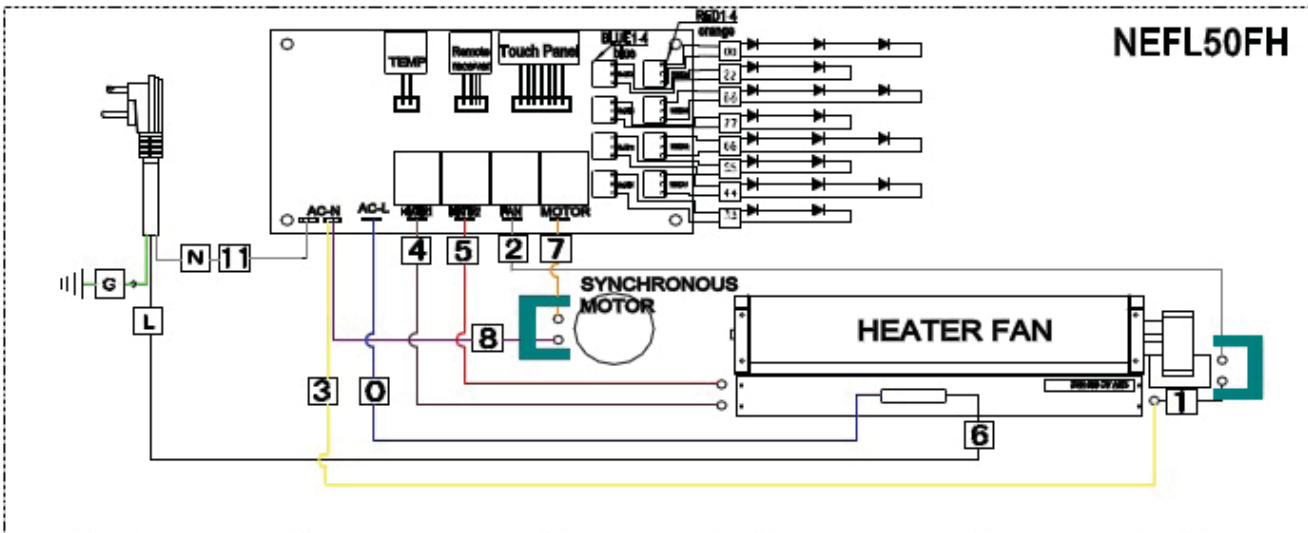
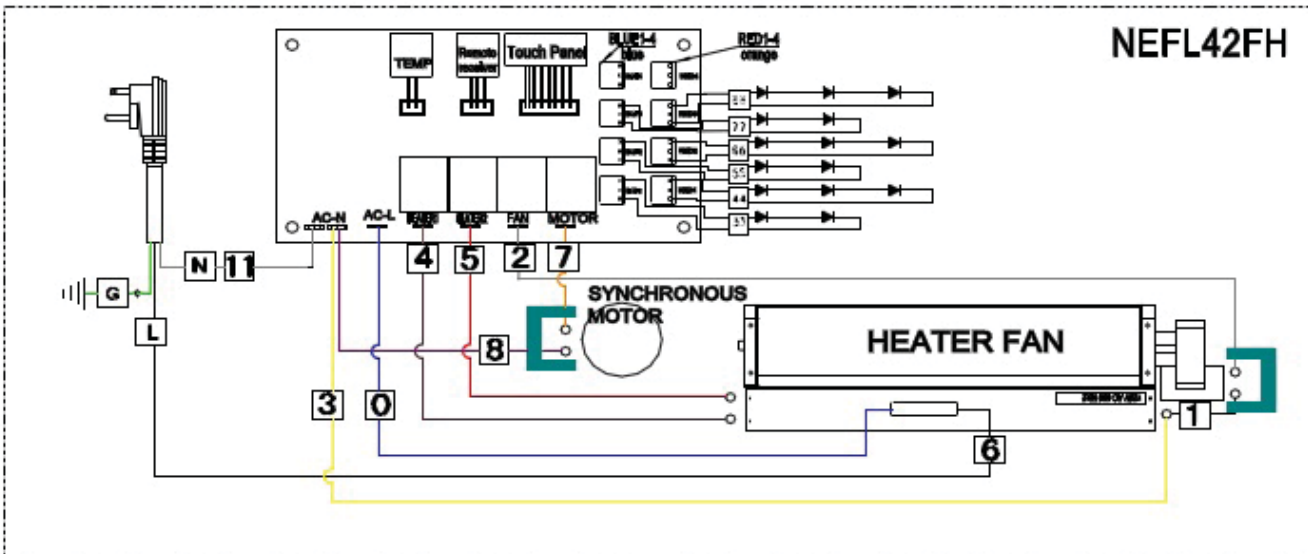
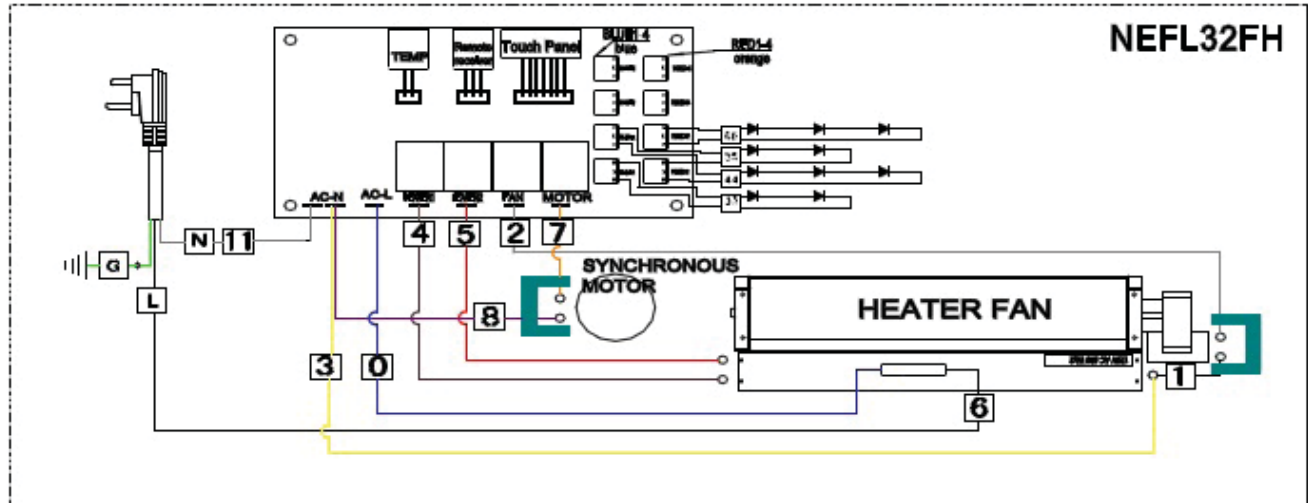
**NOTE:** The remote control must remain within 5 meters or 17 feet of the appliance to be effective, this range may be reduced when battery power is depleted.

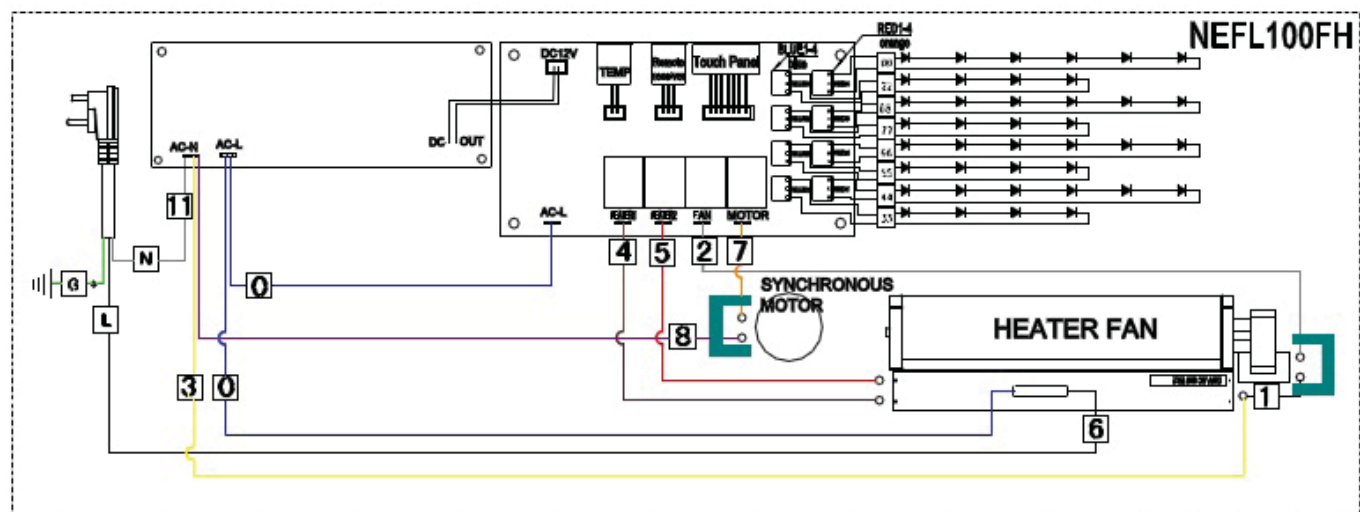
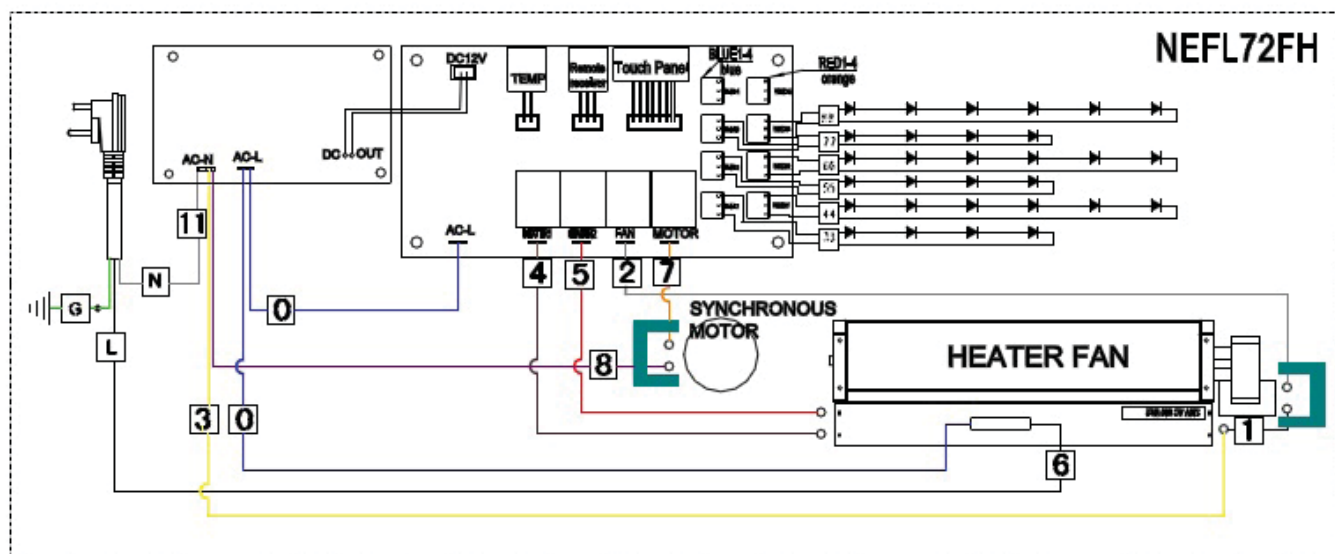
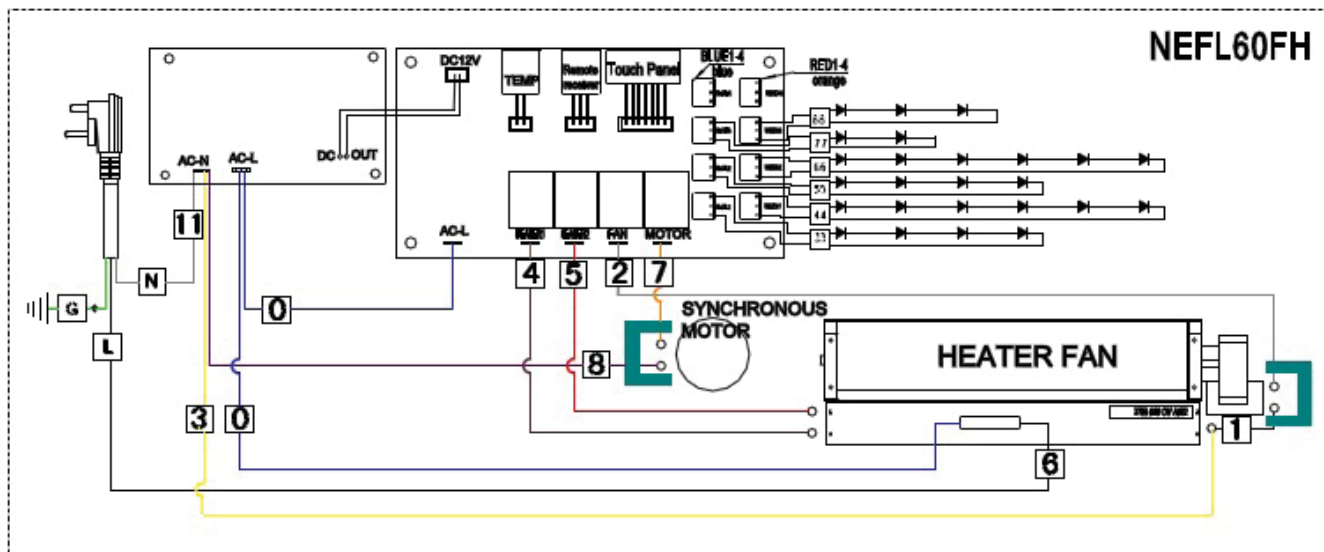
# 7.0 WIRING DIAGRAM

EN

**! WARNING**

TURN OFF THE APPLIANCE COMPLETELY AND LET COOL BEFORE SERVICING. ONLY A QUALIFIED SERVICE PERSON SHOULD SERVICE AND REPAIR THIS ELECTRIC APPLIANCE.





## 8.0 REPLACEMENT PARTS

Contact your dealer or the factory for questions concerning prices and policies on replacement parts. Normally all parts can be ordered through your Authorized dealer / distributor.

**FOR WARRANTY REPLACEMENT PARTS, A PHOTOCOPY OF THE ORIGINAL INVOICE WILL BE REQUIRED TO HONOUR THE CLAIM.**

When ordering replacement parts always give the following information:

- Model and serial number of appliance
- Installation date of appliance
- Part number
- Description of part
- Finish

**FOR FURTHER INFORMATION, CONTACT YOUR AUTHORIZED DEALER.**

**⚠ WARNING**

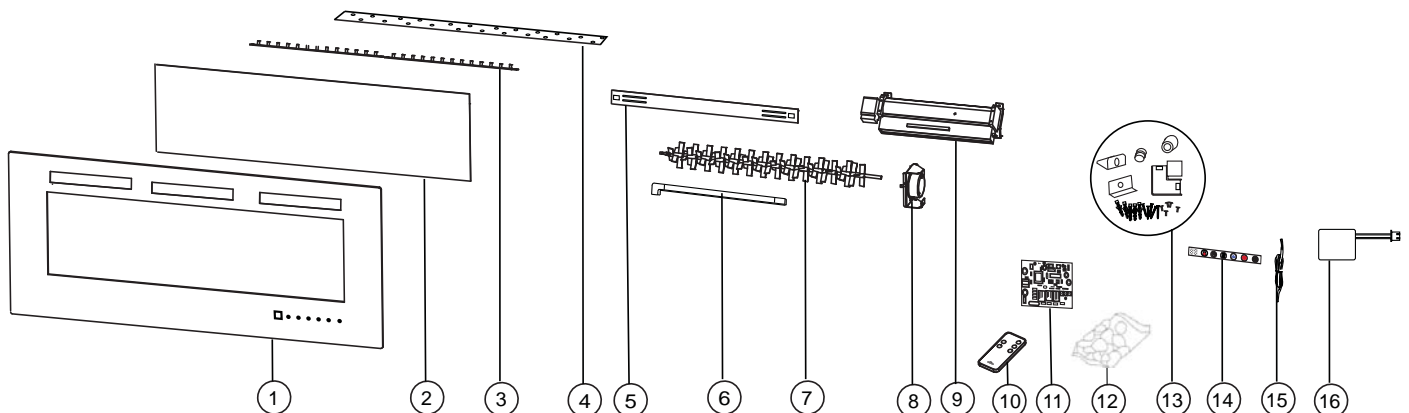
**FAILURE TO POSITION THE PARTS IN ACCORDANCE WITH THIS MANUAL OR FAILURE TO USE ONLY PARTS SPECIFICALLY APPROVED WITH THIS APPLIANCE MAY RESULT IN PROPERTY DAMAGE OR PERSONAL INJURY.**

41.1

For after sales service, please call 1-866-820-8686

COMPONENTS							
REF.	NEFL32FH	NEFL42FH	NEFL50FH	NEFL60FH	NEFL72FH	NEFL100FH	DESCRIPTION
1	W300-0226	W300-0224	W300-0227	W300-0228	W300-0229	W300-0230	FRONT GLASS
2	W475-1192	W475-1185	W475-1193	W475-1194	W475-1195	W475-1196	ACRYLIC PLASTIC PANEL
3	W405-0033	W405-0033	W405-0033	W405-0033 + W405-0037	W405-0033 + W405-0037	W405-0033 + W405-0037	LED LIGHT
4	W497-0014	W497-0013	W497-0015	W497-0016	W497-0017	W497-0018	PLASTIC STRIP
5	W080-1616	W080-1616	W080-1616	W080-1616	W080-1616	W080-1621	WALL MOUNTING BRACKET
6	W200-0571	W200-0572	W200-0572	W200-0572	W200-0572	W200-0572	CORD COVER
7	W527-0009	W527-0008	W527-0010	W527-0011	W527-0012	W527-0013	REFLECTOR SPINDLE
8	W435-0077	W435-0077	W435-0077	W435-0077	W435-0077	W435-0077	SYNCHRONOUS MOTOR
9	W010-3728	W010-3728	W010-3728	W010-3728	W010-3728	W010-3728	BLOWER AND HEATER ASSEMBLY
10	W190-0095	W190-0095	W190-0095	W190-0095	W190-0095	W190-0095	REMOTE CONTROL
11	W190-0096	W190-0096	W190-0096	W190-0101	W190-0101	W190-0101	CIRCUIT BOARD
12	W497-0019	W497-0020	W497-0021	W497-0022	W497-0023	W497-0024	CRYSTAL
13	W370-0050	W370-0050	W370-0050	W370-0055	W370-0055	W370-0057	HARDWARE KIT
14	W475-1184	W475-1184	W475-1184	W475-1184	W475-1184	W475-1184	CONTROL PANEL (WITH REMOTE RECEIVER)
15	W750-0370	W750-0371	W750-0372	W750-0373	W750-0374	W750-0375	WIRE HARNESS
16	W690-0021	W690-0021	W690-0021	W690-0021	W690-0021	W690-0021	THERMOSTAT

**NOTE:** Care must be taken when removing and disposing of any broken glass or damaged components. Be sure to vacuum up any broken glass from inside the appliance before operation.



## 9.0 TROUBLESHOOTING

### WARNING

**TURN OFF THE APPLIANCE COMPLETELY AND LET COOL BEFORE SERVICING. ONLY A QUALIFIED SERVICE PERSON SHOULD SERVICE AND REPAIR THIS ELECTRIC APPLIANCE.**

EN

SYMPTOM	PROBLEM	TEST SOLUTION
Dim or no flame / Ember bed is not glowing or dimming	LED's are burnt out or malfunctioning	Inspect the LED's and replace them if necessary
No warm air coming out of appliance	Room temperature is higher than the appliance setting (if it is set to room temperature)	Reset temperature setting
	Heater is burnt out	Inspect the burner and heater assembly and replace it if necessary
Appliance turns off and will not turn on	Appliance has overheated and safety thermal switch has tripped	Unplug power cord and allow appliance to cool for 15 minutes, then plug in the power cord and turn the power ON.
	House circuit breaker has tripped	Reset house circuit breaker
Appliance will not come on when Power button is turned ON.	Appliance is not plugged into an electrical outlet	Check plug and plug it in
	Appliance has overheated and safety thermal switch has tripped	Unplug power cord and allow appliance to cool for 15 minutes, then plug in the power cord and turn the power ON.
	Circuit board is burnt out	Inspect the circuit board and replace it if necessary
Remote control does not work	Low batteries	Replace batteries in remote control
Heater shuts off automatically	Room is too warm	The heater has a built-in thermostat so it will shut off automatically once the pre-set temperature is reached. It will also turn on automatically if the room temperature drops below the pre-set temperature
Touch panel / Remote Control do not work	The front glass is moved or not secured properly.	Unplug the appliance, if the appliance is recessed to the wall, shut off house circuit breaker. Ensure the front glass is in the correct location and is sitting flat to the appliance touch panel. After 10 seconds, plug or turn on the appliance to reset it.

## 10.0 WARRANTY

NAPOLEON electric appliances are manufactured under the strict Standard of the world recognized ISO 9001 : 2008 Quality Assurance Certificate.

NAPOLEON products are designed with superior components and materials and assembled by trained craftsmen who take great pride in their work. Once assembled the complete appliance is thoroughly inspected by a qualified technician before packing to ensure that you, the customer, receive the quality product that you expect from NAPOLEON.

### NAPOLEON ELECTRIC APPLIANCE LIMITED WARRANTY

Electrical components and wearable parts such as fan/heater, motors, switches, nylon bearing components and remote controls are covered and NAPOLEON will provide replacement parts free of charge during the first year of limited warranty. Light bulbs and fuses are NOT covered by the warranty.

Any labour related to warranty repair is not covered.

\* Construction of models vary. Warranty applies only to components included with your specific appliance.

### CONDITIONS AND LIMITATIONS

NAPOLEON warrants its products against manufacturing defects to the original purchaser only. Registering your warranty is not necessary.

Simply provide your proof of purchase along with the model and serial number to make a warranty claim. NAPOLEON reserves the right to have its representative inspect any product or part thereof prior to honouring any warranty claim. Provided that the purchase was made through an authorized NAPOLEON dealer, your appliance is subject to the following conditions and limitations:

Warranty coverage begins on the date of original installation.

This factory warranty is non-transferable and may not be extended whatsoever by any of our representatives.

Installation must be done in accordance with the installation instructions included with the product and all local and national building and fire codes.

This limited warranty does not cover damages caused by misuse, lack of maintenance, accident, alterations, abuse or neglect and parts installed from other manufacturers will nullify this warranty.

This limited warranty further does not cover any scratches, dents, corrosion or discolouring caused by excessive heat, abrasive and chemical cleaners nor chipping on porcelain enamel parts, mechanical breakage of PHAZER™ logs.

In the first year only, this warranty extends to the repair or replacement of warranted parts which are defective in material or workmanship, provided that the product has been operated in accordance with the operation instructions and under normal conditions.

NAPOLEON will not be responsible for installation, labour or any other expenses related to the reinstallation of a warranted part, and such expenses are not covered by this warranty. Notwithstanding any provisions contained in the Limited Warranty, NAPOLEON's responsibility under this warranty is defined as above, and it shall not in any event extend to any incidental, consequential or indirect damages.

This warranty defines the obligations and liability of NAPOLEON with respect to the NAPOLEON electric appliance and any other warranties expressed or implied with respect to this product; its components or accessories are excluded.

NAPOLEON neither assumes, nor authorizes any third party to assume, on its behalf, any other liabilities with respect to the sale of this product.

Any damages to appliance, brass trim or other component due to water, weather damage, long periods of dampness, condensation, damaging chemicals or cleaners will not be the responsibility of NAPOLEON.

The bill of sale or copy will be required together with a serial number and a model number when making any warranty claims from your authorized dealer. The warranty registration card must be returned within fourteen days to register the warranty.

NAPOLEON reserves the right to have its representative inspect any product or part thereof prior to honouring any warranty claim.

All parts replaced under the Limited Warranty Policy are subject to a single claim.

All parts replaced under the warranty will be covered for a period of 90 days from the date of their installation.

The manufacturer may require that defective parts or products be returned or that digital pictures be provided to support the claim. Returned products are to be shipped prepaid to the manufacturer for investigation. If a product is found to be defective, the manufacturer will repair or replace such defect.

Before shipping your appliance or defective components, your dealer must obtain an authorization number. Any merchandise shipped without authorization will be refused and returned to sender.

Shipping costs are not covered under this warranty.

Additional service fees may apply if you are seeking warranty service from a dealer.

ALL SPECIFICATIONS AND DESIGNS ARE SUBJECT TO CHANGE WITHOUT PRIOR NOTICE DUE TO ON-GOING PRODUCT IMPROVEMENTS.  
NAPOLEON IS A REGISTERED TRADEMARK OF WOLF STEEL LTD.



Other Napoleon Products



Fireplace Inserts • Charcoal Grills • Gas Fireplaces • Waterfalls • Wood Stoves  
Heating & Cooling • Electric Fireplaces • Outdoor Fireplaces • Gas Grills



24 Napoleon Road, Barrie, Ontario, Canada L4M 0G8  
214 Bayview Drive, Barrie, Ontario, Canada L4N 4Y8  
103 Miller Drive, Crittenden, Kentucky, USA 41030  
7200 Trans Canada Highway, Montreal, Quebec, Canada H4T 1A3

Fireplaces / Heating & Cooling call: 705-721-1212 • Grills call: 705-726-4278  
napoleonproducts.com

INSTALLATEUR : LAISSEZ CE MANUEL AVEC L'APPAREIL.  
PROPRIÉTAIRE : CONSERVEZ CE MANUEL POUR CONSULTATION ULTÉRIEURE.  
NE LAISSEZ PAS LES ENFANTS OU AUTRES INDIVIDUS À RISQUE SEULS À PROXIMITÉ DE L'APPAREIL



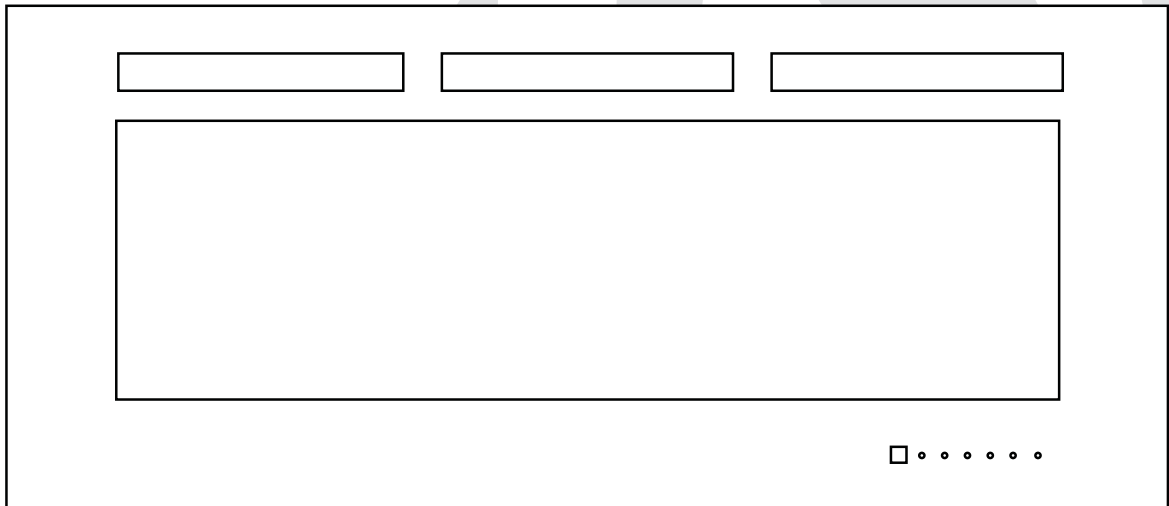
# INSTRUCTIONS D'INSTALLATION ET D'OPÉRATION

FR

HOMOLOGUÉ SELON LES NORMES NATIONALES CANADIENNES ET AMÉRICAINES: CSA C22.2 No-46 / UL 1278

## NEFL32FH, NEFL42FH, NEFL50FH, NEFL60FH, NEFL72FH, NEFL100FH

### FOYER ÉLECTRIQUE



#### CONSIGNES DE SÉCURITÉ

##### **AVERTISSEMENT**

Si ces instructions ne sont pas suivies à la lettre, un incendie pourraient s'ensuivre causant des dommages matériels, des blessures corporelles ou des pertes de vie.

- N'entreposez pas et n'utilisez pas d'essence ou autres liquides et vapeurs inflammables à proximité de cet appareil ou tout autre appareil.



Wolf Steel Ltd., 24 Napoleon Rd., Barrie, ON, L4M 0G8 Canada /  
103 Miller Drive, Crittenden, Kentucky, USA, 41030

Téléphone 705-721-1212 • Télécopieur 705-722-6031 • [www.napoleonfoyers.com](http://www.napoleonfoyers.com) • [hearth@napoleonproducts.com](mailto:hearth@napoleonproducts.com)

10,00 \$

1.16E

W415-1542 / C / 01.13.16

# TABLE DES MATIÈRES

<b>1.0</b>	<b>INTRODUCTION</b>	<b>29</b>
1.1	HOMOLOGATIONS	30
1.2	DIMENSIONS	30
1.3	INSTRUCTIONS GÉNÉRALES	31
1.4	DÉBALLAGE ET VÉRIFICATION DE L'APPAREIL	31
1.5	LISTE DES PIÈCES (NEFL32FH)	32
1.6	PLAQUE D'HOMOLOGATION	33
<b>2.0</b>	<b>EMPLACEMENT DE L'APPAREIL</b>	<b>34</b>
2.1	MISE À LA TERRE DE L'APPAREIL	34
<b>3.0</b>	<b>INSTALLATION</b>	<b>35</b>
3.1	DÉGAGEMENTS MINIMAUX AUX MATÉRIAUX COMBUSTIBLES	35
3.2	DÉGAGEMENTS MINIMAUX AUX MATÉRIAUX	35
3.3	INSTALLATION DE L'APPAREIL SUR LE MUR	36
3.3.1	DÉGAGEMENT MINIMUM AUX COMBUSTIBLES	37
3.3.2	OSSATURE	37
3.4	ENCASTREMENT DE L'APPAREIL DANS LE MUR	38
3.4.1	D'INSTALLER L'APPAREIL DANS UN TABLETTE	39
3.4.2	INSTALLATION DES PIEDS EN CAOUTCHOUC	40
3.5	BRANCHEMENT PAR CABLE	41
<b>4.0</b>	<b>FINITIONS</b>	<b>42</b>
4.1	D'INSTALLATION DU L'AVANT VITRÉE	42
4.2	L'ENLÈVEMENT DU L'AVANT VITRÉE	43
4.3	L'INSTALLATION DES BRAISE DE CONCASSÉ	43
<b>5.0</b>	<b>INSTRUCTIONS DE FONCTIONNEMENT</b>	<b>44</b>
5.1	INTERRUPTEUR	44
5.2	UTILISATION DU PANNEAU DE CONTRÔLE	44
<b>6.0</b>	<b>ENTRETIEN</b>	<b>45</b>
6.1	INSTALLATION DE LA PILE DE LA TÉLÉCOMMANDE	45
<b>7.0</b>	<b>SCHÉMA DE CÂBLAGE</b>	<b>46</b>
<b>8.0</b>	<b>RECHANGES</b>	<b>48</b>
<b>9.0</b>	<b>GUIDE DE DÉPANNAGE</b>	<b>49</b>
<b>10.0</b>	<b>GARANTIE</b>	<b>50</b>
<b>11.0</b>	<b>HISTORIQUE D'ENTRETIEN</b>	<b>51</b>

**NOTE:** Les changements autres que de nature éditoriale sont dénotés par une ligne verticale dans la marge.

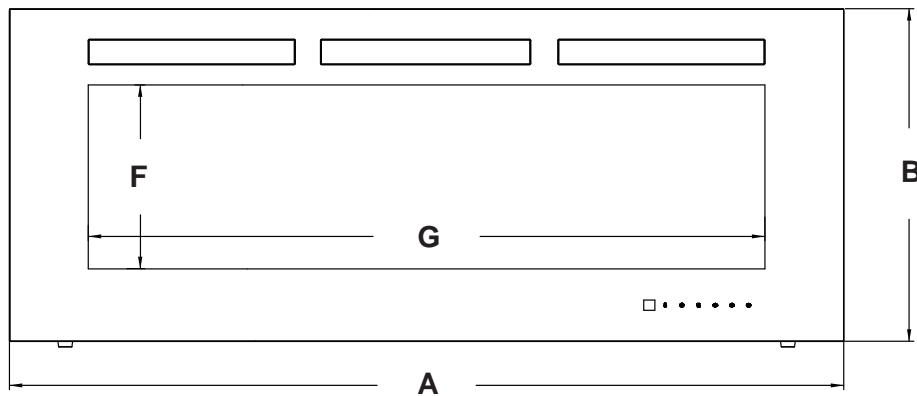
## 1.0 INTRODUCTION

### AVERTISSEMENT

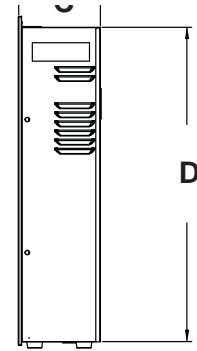
- **CET APPAREIL EST CHAUD LORSQU'IL FONCTIONNE ET PEUT CAUSER DE GRAVES BRÛLURES EN CAS DE CONTACT.**
- Ne faites pas fonctionner l'appareil avant d'avoir lu et compris les instructions d'utilisation. Ne pas respecter les instructions pourrait causer un incendie ou des blessures corporelles.
- Risque de brûlures. L'appareil doit être éteint et refroidi avant d'effectuer l'entretien. Pour débrancher l'appareil, mettez d'abord les boutons de contrôle à « OFF » puis retirez la fiche de la prise de courant.
- N'installez pas de composants endommagés ou incomplets ni des composants de substitution.
- Ne brûlez pas de bois ou autres matériaux dans cet appareil.
- Les jeunes enfants doivent être supervisés attentivement lorsqu'ils sont dans la même pièce que l'appareil. Les jeunes enfants et autres personnes sont sujets aux brûlures accidentelles. Une barrière de protection est recommandée s'il y a dans la maison des individus à risque. Afin de restreindre l'accès à l'appareil, installez une barrière de protection ajustable pour garder les jeunes enfants ou autres personnes à risque hors de la pièce et loin des surfaces chaudes.
- Les vêtements et autres matériaux combustibles ne doivent pas être posés sur l'appareil ou à proximité.
- En raison des températures élevées, l'appareil devrait être placé loin des endroits passants et loin des meubles et des rideaux.
- Assurez-vous de disposer de mesures de sécurité adéquates pour empêcher les jeunes enfants de toucher aux surfaces chaudes.
- Même lorsque l'appareil est éteint, la porte et l'écran demeureront chauds pendant un bon moment.
- Consultez votre détaillant local de foyer pour connaître les grillages de sécurité et les écrans offerts pour protéger les enfants des surfaces chaudes. Ces grillages de sécurité et ces écrans doivent être fixés au plancher.
- Les grillages de sécurité ou écrans enlevés pour faire l'entretien devront être remis en place avant d'utiliser l'appareil.
- Il est primordial de garder propres les compartiments de contrôle, la soufflerie et les bouches d'air de l'appareil. L'appareil doit être inspecté avant la première utilisation et au moins une fois l'an par un spécialiste en entretien. Un entretien plus fréquent pourrait être nécessaire en raison des peluches provenant des tapis, literie, etc. L'emplacement de l'appareil doit être gardé libre de tous matériaux combustibles, essence ou autres liquides et vapeurs inflammables.
- Cet appareil ne devra être modifié en aucun cas.
- N'utilisez pas cet appareil si une partie quelconque a été submergée. Contactez immédiatement un technicien de service qualifié pour inspecter l'appareil et pour remplacer toute pièce du système de contrôle qui aurait été submergée.
- Ne pas opérer l'appareil lorsque la porte vitrée est enlevée, fissurée ou brisée. Le remplacement de la vitre devra être effectué par un technicien de service certifié ou qualifié.
- Ne frappez pas et ne claquez pas la porte vitrée de l'appareil.
- Les matériaux d'emballage doivent être gardés hors de la portée des enfants et mis au rebut de façon sécuritaire. Comme tous les emballages de plastique, ceux-ci ne sont pas des jouets et doivent demeurer hors de la portée des enfants et des bébés.
- L'entretien ne doit être effectué que lorsque l'appareil est débranché du circuit électrique.
- Débranchez toujours l'appareil lorsqu'il n'est pas utilisé.
- N'utilisez pas l'appareil si le cordon d'alimentation ou la fiche sont endommagés, s'il ne fonctionne pas bien, ou s'il a été échappé ou endommagé d'une quelconque façon. Retournez l'appareil à un centre de service autorisé pour une inspection, des ajustements électriques ou mécaniques ou une réparation.
- N'utilisez pas cet appareil à l'extérieur.
- Ne placez jamais l'appareil à un endroit où il risque de tomber dans une baignoire ou tout autre réservoir contenant de l'eau.
- Ne passez pas le cordon d'alimentation sous un tapis. Ne recouvrez pas le cordon avec des carpettes, des tapis de couloir ou autres revêtements similaires. Évitez de placer le cordon dans un endroit passant ou à un endroit où il risque de causer des chutes.
- Branchez seulement dans une prise de courant adéquatement mise à la terre.
- N'insérez pas d'objets dans les ouvertures d'entrée d'air ou de sortie d'air puisque cela risque d'endommager l'appareil ou causer des chocs électriques ou un incendie.
- Pour prévenir les risques d'incendie, ne bloquez pas les entrées d'air et les sorties d'air de quelque manière que ce soit. Ne placez pas cet appareil sur une surface molle telle qu'un tapis où les ouvertures pourraient se bloquer.
- Branchez toujours les appareils directement dans une prise de courant. N'utilisez jamais de rallonge ou de prise électrique relogable (prise/barre d'alimentation).
- Assurez-vous de respecter les dégagements aux matériaux combustibles lorsque vous installez un manteau ou des tablettes au-dessus de l'appareil. Les téléviseurs et autres composants électroniques soumis à des températures élevées peuvent fondre, se déformer, se décolorer et entraîner des défaillances prématurées de ces appareils.

## 1.1 HOMOLOGATIONS

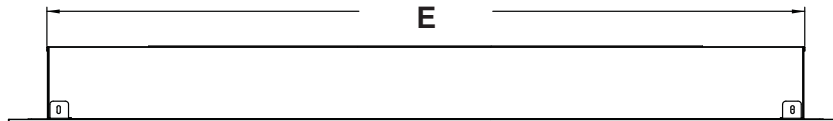
VUE DE FACE



VUE DE COTÉ



VUE DU SOMMET



## 1.2 DIMENSIONS

Cet appareil a été testé selon les normes CSA pour foyers électriques installés de façon permanente aux États-Unis et au Canada. Si vous avez besoin d'assistance durant l'installation, veuillez contacter votre détaillant local.

**NOTE:** Cet appareil doit être raccordé électriquement et mis à la terre selon les codes locaux ou, en l'absence de tels codes, avec le National Electrical Code ANSI/NFPA 70-la dernière édition aux États-Unis ou le Code canadien de l'électricité CSA C22.1 au Canada.


DIMENSIONS

NUMÉRO DE MODÈLE	A	B	C	D	E	F	G
NEFL32FH	32" (813mm)	21 5/8" (550mm)	5" (127mm)	20 1/2" (520mm)	27 5/16" (694mm)	12" (304mm)	22 5/16" (567mm)
NEFL42FH	42" (1067mm)	21 5/8" (550mm)	5" (127mm)	20 1/2" (520mm)	37 1/2" (951mm)	12" (304mm)	32 5/16" (821mm)
NEFL50FH	50" (1270mm)	21 5/8" (550mm)	5" (127mm)	20 1/2" (520mm)	45 7/16" (1154mm)	12" (304mm)	40 5/16" (1024mm)
NEFL60FH	60" (1524mm)	21 5/8" (550mm)	5" (127mm)	20 1/2" (520mm)	55 5/16" (1405mm)	12" (304mm)	50 5/16" (1278mm)
NEFL72FH	72" (1830mm)	21 5/8" (550mm)	5" (127mm)	20 1/2" (520mm)	67 3/8" (1711mm)	12" (304mm)	62 5/8" (1583mm)
NEFL100FH	100" (2540mm)	21 5/8" (550mm)	5" (127mm)	20 1/2" (520mm)	95 3/8" (2422mm)	12" (304mm)	90 9/16" (2300mm)

NUMÉRO DE MODÈLE	POIDS NET	POIDS BRUT
NEFL32FH	34.6 lbs (15.7kg)	50.3 lbs (22.8kg)
NEFL42FH	44.3 lbs (20.1kg)	60.2 lbs (27.3kg)
NEFL50FH	50.9 lbs (23.1kg)	77.4 lbs (35.1kg)
NEFL60FH	61.3 lbs (27.8kg)	88.1 (40kg)
NEFL72FH	81.8 lbs (37.1kg)	117.3 (53.2kg)
NEFL100FH	111.3 lbs (50.5kg)	159.4 (72.3kg)

Description	Appareil Électrique
Type	Unité de montage à 3 voies Montage mural, encastré dans le mur et assembler avec tablette
Tension	120V AC
Puissance	MAX 1500W
Ampères	15 A circuit mis à la terre

## 1.3 INSTRUCTIONS GÉNÉRALES

 <b>AVERTISSEMENT</b>
<b>VEUILLEZ LIRE LE MANUEL D'INSTRUCTIONS EN ENTIER AVANT DE COMMENCER L'INSTALLATION. OMETTRE DE SUIVRE CES INSTRUCTIONS POURRAIT CAUSER UN MAUVAIS FONCTIONNEMENT DE L'APPAREIL ET ENTRAÎNER DES BLESSURES GRAVES ET/OU DES DOMMAGES MATÉRIELS.</b>
<b>TOUS LES APPAREILS ÉLECTRIQUES CONTIENNENT DES COMPOSANTS INTERNES QUI DEVIENNENT CHAUDS ET QUI PRODUISENT DES ÉTINCELLES. N'UTILISEZ PAS CET APPAREIL DANS DES ENDROITS OÙ DE L'ESSENCE, DES PEINTURES OU D'AUTRES LIQUIDES INFLAMMABLES SONT PRÉSENTS.</b>
<b>CET APPAREIL ÉLECTRIQUE A ÉTÉ TESTÉ ET HOMOLOGUÉ POUR USAGE AVEC LES ACCESSOIRES OPTIONNELS LISTÉS DANS CE MANUEL UNIQUEMENT. L'UTILISATION D'ACCESSOIRES OPTIONNELS QUI N'ONT PAS ÉTÉ SPÉCIFIQUEMENT TESTÉS POUR CET APPAREIL ÉLECTRIQUE ANNULERA LA GARANTIE DE L'APPAREIL ET/OU PRÉSENTERA DES RISQUES POUR LA SÉCURITÉ.</b>
<b>NE PAS OUVRIR. RISQUE DE CHOC ÉLECTRIQUE. AUCUNE PIÈCE RÉPARABLE PAR L'UTILISATEUR À L'INTÉRIEUR.</b>
<b>N'UTILISEZ PAS DE CORDONS D'ALIMENTATION ENDOMMAGÉS.</b>
<b>L'ENTRETIEN NE DOIT ÊTRE EFFECTUÉ QUE LORSQUE L'APPAREIL EST DÉBRANCHÉ DU CIRCUIT ÉLECTRIQUE.</b>
<b>POUR ÉVITER LES CHOCs ÉLECTRIQUES, INTRODUISEZ LA BRANCHE LA PLUS LARGE DE LA FICHE DANS LA FENTE CORRESPONDANTE DE LA PRISE ET INSÉREZ JUSQU'AU FOND.</b>

- A. Avant de brancher votre appareil dans une prise de courant, vérifiez si le disjoncteur de la maison pour ce circuit est allumé.
- B. Il est possible que l'appareil dégage une légère odeur inoffensive lors de la première utilisation. Cela est une condition normale causée par le chauffage initial des éléments de l'appareil. Elle ne se reproduira plus.
- C. Si votre appareil n'émet pas de chaleur, consultez la section « Fonctionnement » de ce manuel pour de plus amples renseignements.
- D. Utilisez avec un limiteur de surtension certifié CSA ou UL.
- E. Ne faites pas passer le cordon d'alimentation directement sous l'appareil.

Cet appareil électrique répond aux normes de construction et de sécurité du H.U.D. pour des applications dans des maisons préfabriquées lorsque installé selon ces instructions.

4.8B

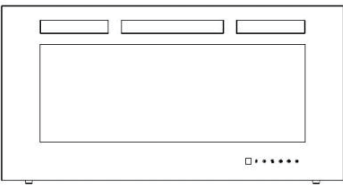


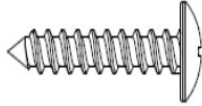



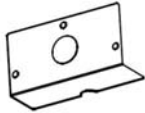

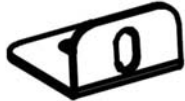
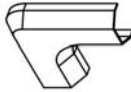



**Comme avec la plupart des appareils électroniques, votre nouveau foyer électrique a été conçu pour fonctionner à des températures comprises entre 5 ° C (41 ° F) et 35 ° C (95 ° F). Pendant les mois froids de l'hiver, la cheminée permet d'atteindre la température ambiante avant de l'allumer.**

## 1.4 DÉBALLAGE ET VÉRIFICATION DE L'APPAREIL

Retirez soigneusement l'appareil de la boîte. Avant d'installer l'appareil, assurez-vous qu'il fonctionne bien en branchant le cordon d'alimentation dans une prise de courant mise à la terre de 120 V.

**NOTE:** Le NEFL50/60/72/100FH appareils sont livrés avec la vitre avant pas assemblé sur l'appareil. Reportez-vous aux sections « AVANT DE L'INSTALLATION DE VERRE » pour l'assemblage.

## 1.5 LISTE DES PIÈCES (NEFL32FH)

 <p><b>A - Cheminée</b> NEFL32FH-100FH ( 1 )</p>	 <p><b>B - Vis à Bois</b> NEFL32FH-50FH ( 6 ) NEFL60FH-72FH (12) NEFL100FH (16)</p>	 <p><b>C - Ancrages Pour Cloisons Sèches</b> NEFL32FH-50FH ( 6 ) NEFL60FH-72FH (12) NEFL100FH (16)</p>
 <p><b>D - ST4x12 Vis Métalliques</b> NEFL32FH-100FH ( 8 )</p>	 <p><b>E - Télécommande</b> NEFL32FH-100FH ( 1 )</p>	 <p><b>F - Support Mural</b> NEFL32FH-50FH ( 1 ) NEFL60FH-100FH ( 2 )</p>
 <p><b>G - Cristaux</b> NEFL32FH-100FH ( 2 )</p>	 <p><b>H - Plaque de Couverture</b> NEFL32FH-100FH ( 1 )</p>	 <p><b>I - Décharge De Traction</b> NEFL32FH-100FH ( 1 )</p>
 <p><b>J - Support Métallique</b> NEFL32FH-100FH ( 4 )</p>	 <p><b>K - Cache du Cordon</b> NEFL32FH-100FH ( 2 )</p>	 <p><b>L - Coin de Cordon</b> NEFL32FH-100FH ( 2 )</p>
 <p><b>M - Coin de Cordon</b> NEFL32FH ( 2 ) NEFL42FH-100FH ( 1 )</p>	 <p><b>N - Pied En Caoutchouc</b> NEFL32FH-50FH ( 4 ) NEFL60FH-100FH ( 6 )</p>	

## 1.6 PLAQUE D'HOMOLOGATION

CERTIFIED UNDER CANADIAN AND AMERICAN NATIONAL STANDARD: CSA 22.2 NO. 46 AND UL 2021 / HOMOLOGUÉ SELON LES NORMES NATIONALES CANADIENNES ET AMÉRICAINES: CSA 22.2 NO. 46 UL 2021	
ELECTRIC FIREPLACE. SUITABLE FOR BEDROOM AND BED-SITTING ROOM INSTALLATION. SUITABLE FOR MOBILE HOME INSTALLATION.	FOYER À ÉLECTRIQUE. HOMOLOGUE POUR INSTALLATION DANS UNE CHAMBRE A COUCHER, UNE SALLE DE BAIN ET UN STUDIO. APPROPRIÉ POUR INSTALLATION DANS UNE MAISON MOBILE.
<b>MASTER CONTRACT: 161746</b>	<b>CONTRAT-CADRE: 161746</b>
	
<input type="checkbox"/> NEFL32FH <input type="checkbox"/> CEFL32FH	<input type="checkbox"/> NEFL60FH <input type="checkbox"/> CEFL60FH
<input type="checkbox"/> NEFL42FH <input type="checkbox"/> CEFL42FH	<input type="checkbox"/> NEFL72FH <input type="checkbox"/> CEFL72FH
<input type="checkbox"/> NEFL50FH <input type="checkbox"/> CEFL50FH	<input type="checkbox"/> NEFL100FH <input type="checkbox"/> CEFL100FH
<b>MODELS / MODÈLES</b>	
<b>VOLTAGE: 120 VAC</b>	<b>TENSION: 120VCA</b>
<b>FREQUENCY: 60Hz</b>	<b>FRÉQUENCE: 60Hz</b>
<b>POWER: 1500W</b>	<b>PUISSANCE: 1500W</b>
<b>DATE CODE:</b>	<b>CODE DE DATE:</b>
DESIGNED IN NORTH AMERICA	DESIGN AMÉRIQUE DE NORD
BY WOLF STEEL LTD.	PAR WOLF STEEL LTD.
MADE IN CHINA	FABRIQUE EN CHINE
<b>WOLF STEEL LTD.</b> 24 NAPOLEON ROAD, BARRIE, ON, L4M 0G8 CANADA	<b>SERIAL NUMBER/NO. DE SERIE: NEFL</b> <span style="background-color: black; color: black;">XXXXXXXXXX</span>
	W385-2095

FR

**INSTALLATEUR:** Vous êtes responsable de cocher les cases appropriées sur la plaque d'homologation selon le modèle, l'évacuation et le type de gaz de l'appareil.

Cette illustration est à titre de référence seulement. Consultez la plaque d'homologation pour obtenir l'information précise.

**NOTE:** Le plaque d'homologation doit rester avec l'appareil à tout le temps. Il ne doit pas être enlevé.

## 2.0 EMPLACEMENT DE L'APPAREIL

**! AVERTISSEMENT**

EN RAISON DES TEMPÉRATURES ÉLEVÉES, L'APPAREIL DEVRAIT ÊTRE PLACÉ LOIN DES ENDROITS PASSANTS. GARDEZ TOUS LES ARTICLES COMBUSTIBLES TELS QUE LES MEUBLES, LES OREILLERS, LA LITERIE, LE PAPIER, LES VÊTEMENTS ET LES RIDEAUX À UNE DISTANCE D'AU MOINS 3 PIEDS (0,9 MÈTRE) DE LA FAÇADE DE L'APPAREIL.

NE PLACEZ JAMAIS L'APPAREIL ÉLECTRIQUE À UN ENDROIT OÙ IL RISQUE DE TOMBER DANS UNE BAIGNOIRE OU TOUT AUTRE RÉSERVOIR CONTENANT DE L'EAU.

PORTEZ DES GANTS DE PROTECTION ET DES LUNETTES DE SÉCURITÉ LORS DE L'INSTALLATION ET DE L'ENTRETIEN.

AFIN D'ÉVITER TOUT CONTACT AVEC DE L'ISOLANT QUI S'AFFAÏSSÉ, L'APPAREIL ÉLECTRIQUE NE DOIT PAS ÊTRE INSTALLÉ CONTRE UN COUPE-VAPEUR OU DE L'ISOLANT À DÉCOUVERT. UNE SURCHAUFFE LOCALISÉE PEUT SURVENIR ET UN INCENDIE POURRAIT S'ENSUIVRE.

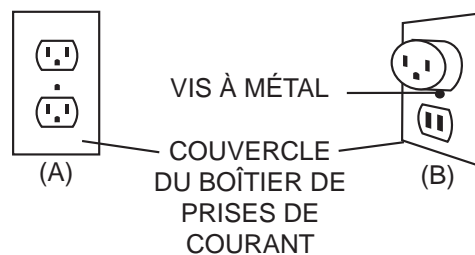
L'APPAREIL ÉLECTRIQUE NE DOIT PAS ÊTRE EXPOSÉ AUX CONDITIONS EXTÉRIEURES (PAR EX. LA PLUIE).

FR

## 2.1 MISE À LA TERRE DE L'APPAREIL

Cet appareil doit être branché sur un circuit de 120 volts. Son cordon d'alimentation est équipé d'une fiche comme illustré en (A) ci-contre. Un adaptateur, tel qu'illustré en (C), est disponible pour brancher des fiches à trois branches avec mise à la terre dans des prises à deux fentes. La patte verte de mise à la terre de l'adaptateur doit être branchée dans une prise de courant mise à la terre de façon permanente telle qu'un boîtier de prises de courant mis à la terre. L'adaptateur ne doit pas être utilisé si une prise de courant mise à la terre à trois fentes est disponible.

Pour débrancher l'appareil, mettez les boutons de contrôle à « OFF » puis retirez la fiche de la prise de courant.

**MÉTHODES DE MISE À LA TERRE**

BROCHE DE MISE À LA TERRE



INTERDIT AU CANADA

96.1

FR

**! AVERTISSEMENT**

**RISQUE D'INCENDIE! LE CORDON D'ALIMENTATION NE DOIT PAS ÊTRE COINCÉ CONTRE UNE ARÊTE VIVE. FIXEZ LE CORDON POUR ÉVITER LES CHUTES OU LES ACCROCHAGES AFIN DE RÉDUIRE LE RISQUE D'INCENDIE, DE CHOC ÉLECTRIQUE OU DE BLESSURES CORPORELLES. NE PASSEZ PAS LE CORDON D'ALIMENTATION SOUS UN TAPIS. NE RECOUVREZ PAS LE CORDON AVEC DES CARPETTES, DES TAPIS DE COULOIR OU AUTRES REVÊTEMENTS SIMILAIRES. ÉVITEZ DE PLACER LE CORDON DANS UN ENDROIT PASSANT OU À UN ENDROIT OÙ IL RISQUE DE CAUSER DES CHUTES.**

**RISQUE D'INCENDIE! POUR PRÉVENIR LES RISQUES D'INCENDIE, NE BLOQUEZ PAS LES ENTRÉES D'AIR ET LES SORTIES D'AIR DE QUELQUE MANIÈRE QUE CE SOIT. NE PLACEZ PAS CET APPAREIL SUR UNE SURFACE MOLLE OÙ LES OUVERTURES POURRAIENT SE BLOQUER.**

**RISQUE D'INCENDIE! NE SOUFFLEZ PAS OU NE PLACEZ PAS D'ISOLANT CONTRE L'APPAREIL.**

**CET APPAREIL ÉLECTRIQUE A ÉTÉ TESTÉ ET HOMOLOGUÉ POUR USAGE AVEC LES ACCESSOIRES OPTIONNELS LISTÉS DANS CE MANUEL UNIQUEMENT. L'UTILISATION D'ACCESSOIRES OPTIONNELS QUI N'ONT PAS ÉTÉ SPÉCIFIQUEMENT TESTÉS POUR CET APPAREIL ÉLECTRIQUE ANNULERA LA GARANTIE DE L'APPAREIL ET/OU PRÉSENTERA DES RISQUES POUR LA SÉCURITÉ.**

**SI CES INSTRUCTIONS NE SONT PAS SUIVIES À LA LETTRE, UN INCENDIE OU UNE EXPLOSION POURRAIENT S'ENSUIVRE, CAUSANT DES DOMMAGES MATÉRIELS, DES BLESSURES CORPORELLES OU DES PERTES DE VIE. N'ENTREPOSEZ PAS ET N'UTILISEZ PAS D'ESSENCE OU AUTRES VAPEURS INFLAMMABLES À PROXIMITÉ DE CET APPAREIL OU TOUT AUTRE APPAREIL.**

**ÉTANT DONNÉ LA LOURDEUR DE CET APPAREIL, IL EST RECOMMANDÉ QUE DEUX PERSONNES EN FASSENT L'INSTALLATION.**

**LES ENTRÉES D'AIR ET LES SORTIES D'AIR NE DOIVENT PAS ÊTRE COUVERTES EN AUCUN CAS AFIN DE RÉDUIRE LE RISQUE D'INCENDIE.**

**N'EXÉCUTEZ PAS LE CORDON D'ALIMENTATION HORIZONTALEMENT, DIRECTEMENT EN DESSOUS DE L'APPAREIL.**

68.5A

Votre appareil NEFL42FH est fixé au mur, encadré et/ou un appareil installé avec tablette. Choisir un emplacement convenable qui n'est pas susceptible à l'humidité et est loin des tentures, les meubles et les hauts secteurs de circulation. **NOTE: Suivre tous les codes électriques nationaux et locaux.**

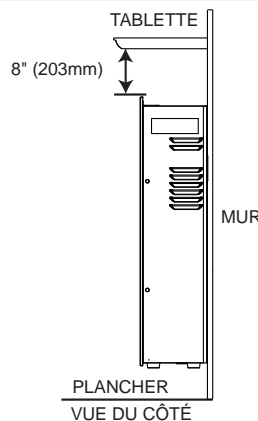
3.1 DÉGAGEMENTS MINIMAUX AUX MATÉRIEAUX COMBUSTIBLES

Les mesures sont prises à partir de la façade vitrée.			
Dessous	0"	Haut	8" (203mm) au tablette
Côtés	0"	Haut	8" (203mm) au plafond
Arrière	0"		

3.2 DÉGAGEMENTS MINIMAUX AUX MATÉRIEAUX

**! AVERTISSEMENT**

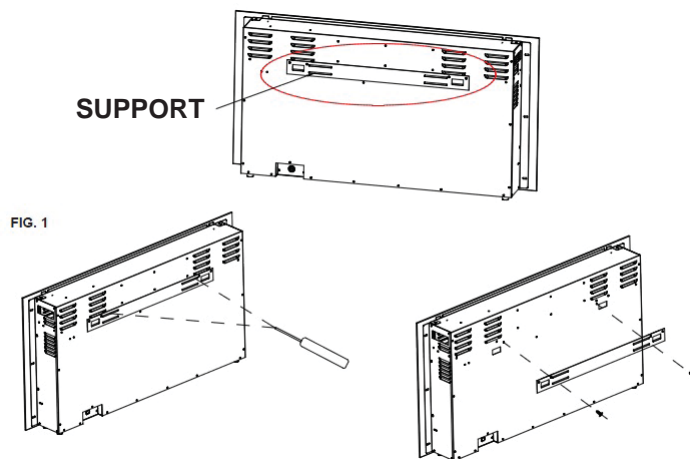
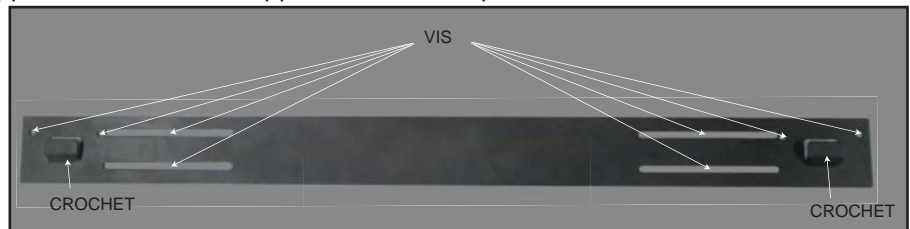
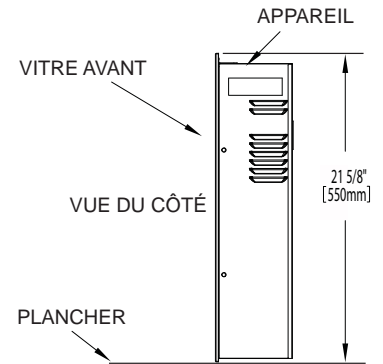
**LORS DE L'UTILISATION DE LA PEINTURE OU LAQUE POUR LA FINITION DE LA TABLETTE, LA PEINTURE OU LAQUE DOIVENT ÊTRE RESISTANTS À LA CHALEUR POUR EMPÊCHER LA DÉCOLORATION.**



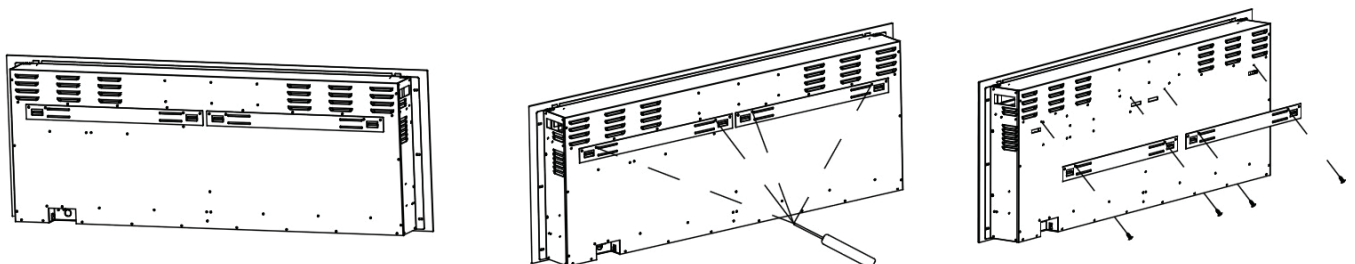
### 3.3 INSTALLATION DE L'APPAREIL SUR LE MUR

Puisque les murs peuvent être recouverts de divers matériaux, nous vous conseillons fortement de retenir les services d'un professionnel qualifié pour ces travaux.

- A. Choisissez un endroit non sujet à l'humidité et situé à au moins 3 pieds (0,9 m) des articles combustibles, tels que les rideaux, meubles, literie, papier, etc.
- B. Demandez à deux personnes d'appuyer et de maintenir l'appareil contre le mur pour en déterminer l'emplacement définitif.
- C. Enlevez le support de fixation de l'arrière de l'appareil en l'enlevez les deux vis, voir Figure 1.
- D. Marquer la position, puis mont sont utilisés pour apposer sur le mur utilisant les 6 vis fourni. C'est **NÉCESSAIRE** pour le support muni d'avoir les crochets nivelé et orienter vers l'haup. **NOTE** : **Il est fortement recommandé que vous vissez le support de montage dans les montants du mur où possible. Si les montants du mur ne peuvent pas être utilisés, assurez vous que les ancrages en plastique fournis sont utilisés pour le fixer le support au mur et le support est assuré de manière adéquate.**
- E. Après l'installation du support muni soulever l'appareil avec deux personnes et insérer les deux crochets aux encoches des supports à l'arrière de l'appareil.
- F. Vérifiez la stabilité de l'appareil en vous assurant que l'appareil est bien ancré dans le mur et que l'appareil ne tombera pas.



NEFL32/42/50FH ILLUSTRÉE



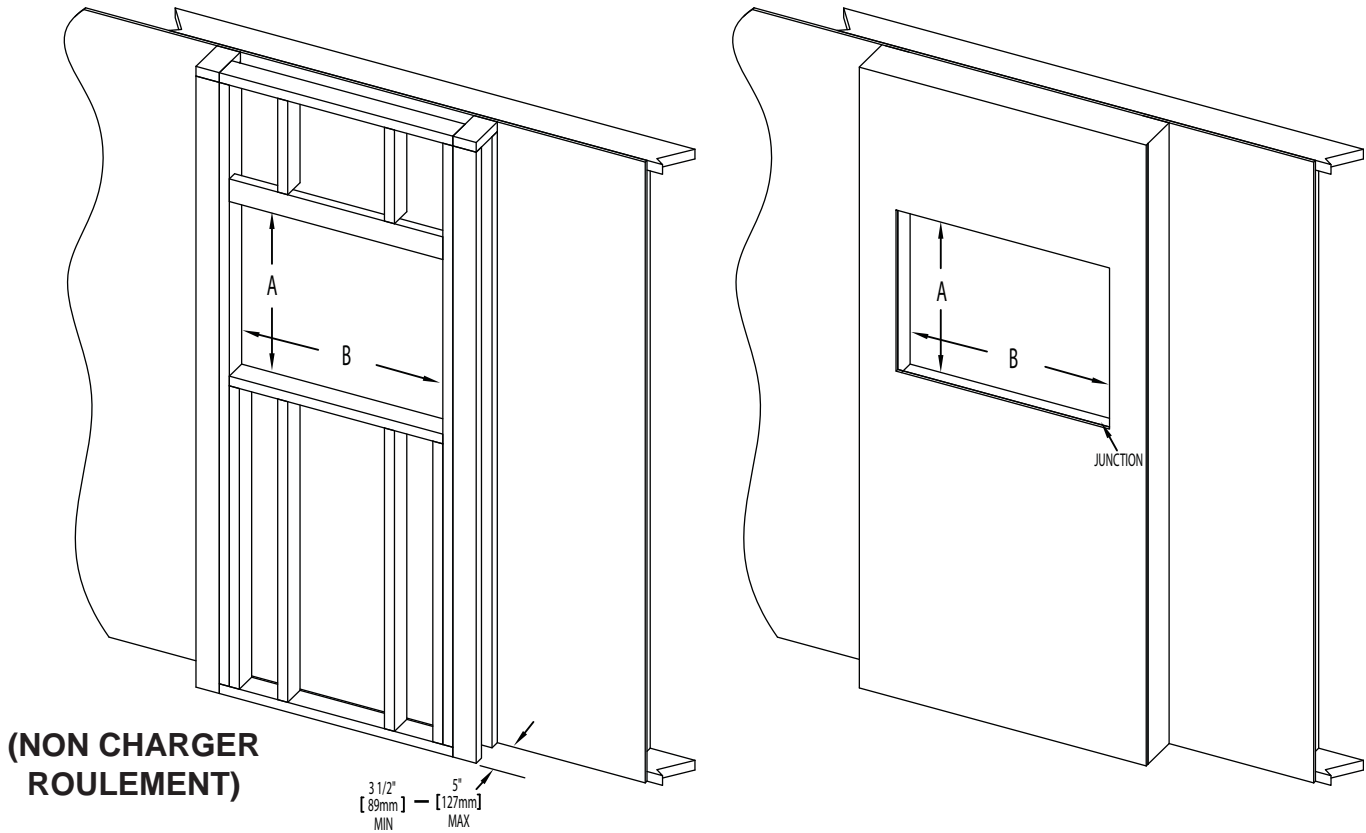
NEFL60/72/100FH ILLUSTRÉE

## 3.3.1 DÉGAGEMENT MINIMUM AUX COMBUSTIBLES

<b>Les mesures sont prises du corps</b>	
Côtés, l'arrière et le sommet	0"

## 3.3.2 OSSATURE

## Matériels de Finition



NUMÉRO DE MODÈLE	A	B
NEFL32FH	21" (535mm)	27 13/16" (707mm)
NEFL42FH	21" (535mm)	38" (965mm)
NEFL50H	21" (535mm)	45 15/16" (1166mm)
NEFL60H	21" (535mm)	55 13/16" (1418mm)
NEFL72H	21" (535mm)	67 7/8" (1725mm)
NEFL100H	21" (535mm)	95 7/8" (2435mm)

### 3.4 ENCASTREMENT DE L'APPAREIL DANS LE MUR

En raison de trop de matériels finis différents utilisés sur les murs, il est extrêmement recommandé que vous consultiez votre constructeur local avant que vous installiez cet appareil dans le mur.

Choisissez un endroit non sujet à l'humidité et situé à au moins 36 pouces (914.4mm) des articles combustibles, tels que les rideaux, meubles, literie, papier, etc.

- A. Mesurez l'appareil et créez une esquisse pour le câblage électrique.
- B. Retirez les verre d'avant, référer la section "L'ENLÈVEMENT DU PORTE VITRÉE".
- C. Tenez l'appareil en haut en face de l'ossature pour assurer qu'il rentre dans l'ossature.
- D. Si l'appareil est entièrement encastré dans le mur:
  - Vous devez plier l'onglets plat, voir la Figure 4.
  - Utiliser les six vis (fournies) pour verrouiller l'appareil dans le mur avec les deux supports existants (fournies) sur les deux côtés, voir la Figure 2
  - Installer les composants décoratif et réinstaller la verre d'avant.
- E. Si l'appareil n'est pas entièrement encastré dans le mur:
  - Utiliser les deux supports métalliques (fournies) pour verrouiller l'appareil au mur, voir la figure 3. **NOTE: 2 séries de trous sont prévus. La structure de la paroi peut limiter l'étendue de l'appareil peut être encastré. Utilisez l'ensemble approprié des trous pour l'encastrement aux cadre. Il peut être nécessaire d'utiliser les quatre trous en haut et en bas.**

**NOTE :** Il est recommandé que les murs de la clôture de l'appareil aient « fini » (c.-à-d. cloison sèche) pour éviter la possibilité d'isolation exposée ou la barrière de vapeur qui entre en contact avec le corps de l'appareil. Ceci garantira que le dégagement aux combustibles est maintenu.

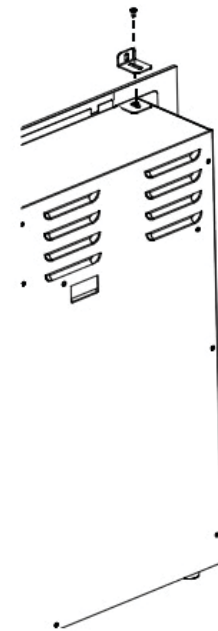
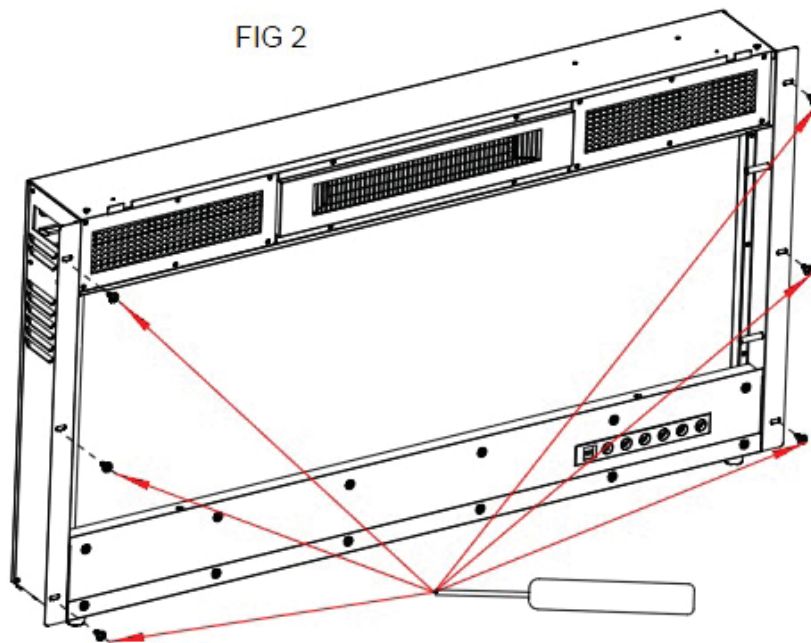
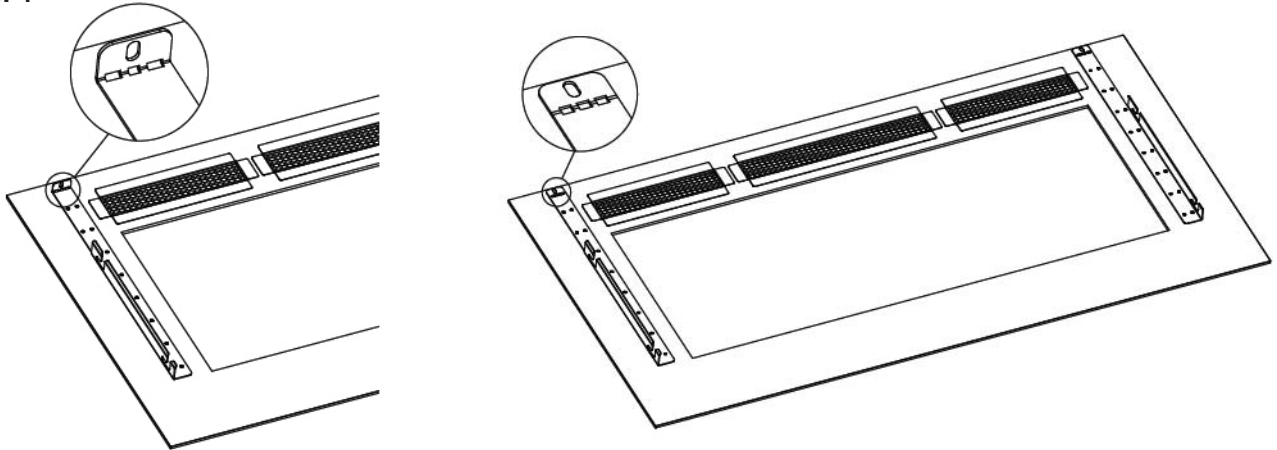


FIG 3

**NOTE:** Les onglets de l'appareil sont pliés. Vous devez plier l'onglet plat quand vous encastré entièrement l'appareil dans le mur, voyez ci-dessous, voir la Figure 4.

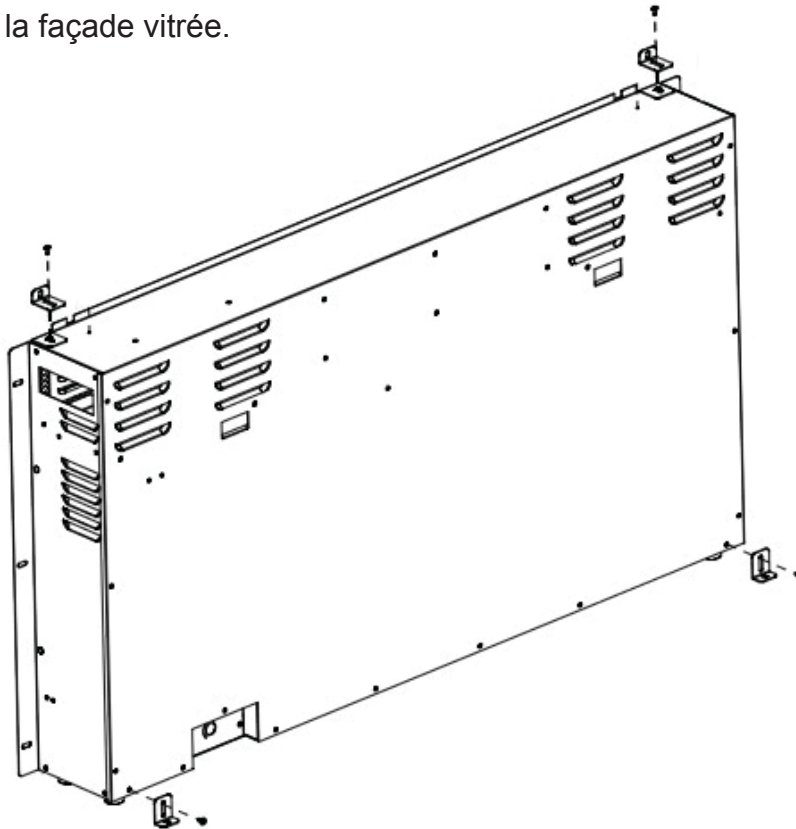
FIG. 4



FR

### 3.4.1 D'INSTALLER L'APPAREIL DANS UN TABLETTE

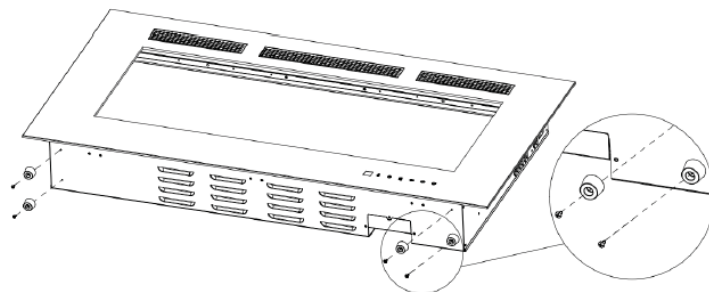
- A) Enlever la vitre avant, se référer à la section, « INSTALLATION DE LA VITRE AVANT »
- B) Installez les pieds en caoutchouc sur le bas de l'appareil pour la stabilité, se référer à la section "INSTALLATION DES PIEDS EN CAOUTCHOUC" pour les instructions.
- C) Insérez l'appareil dans la tablette et le fixer avec les supports vers le haut de la tablette et en bas.
- D. Insérer l'appareil dans la tablette et le fixer avec les supports ou se référer au manuel d'installation de la "TABLETTE DE LA CHEMINÉE ÉLECTRIQUE" pour les instructions d'installation appropriées pour l'appareil.
- E) Placez les braises de verre le long du plateau de médias, se référer à la section «L'INSTALLATION DES BRAISES DE VERRE».
- F) Réinstaller la façade vitrée.



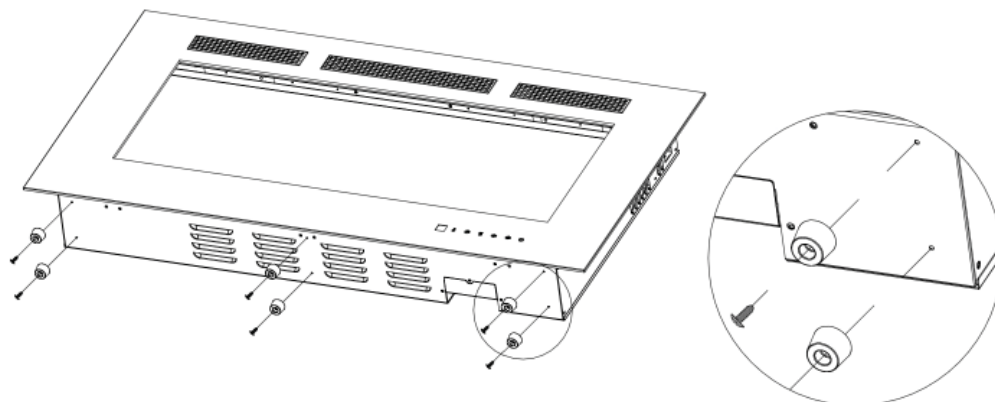
## 3.4.2 INSTALLATION DES PIEDS EN CAOUTCHOUC

- A. Placez l'appareil à l'envers (face vers le bas) sur une surface molle.
- B. À l'aide d'un tournevis, enlevez les vis sur le fond de l'appareil.
- C. Installez les 4 pieds en caoutchouc (6 pieds en caoutchouc pour NEFL60/72 /100FH) sur le fond de l'appareil à l'aide des vis de l'étape B, voir ci-dessous.

**NOTE:** Les vis pour le montage des pieds en caoutchouc sont fixées sur l'appareil. L'enlèvement des vis est nécessaire pour installer les pieds en caoutchouc.



NEFL32/42/50FH ILLUSTRÉE



NEFL60/72/100FH ILLUSTRÉE

## 3.5 BRANCHEMENT PAR CÂBLE

**! AVERTISSEMENT**

**COUPEZ L'ALIMENTATION ÉLECTRIQUE À L'APPAREIL ET LAISSEZ-LE REFROIDIR AVANT D'EFFECTUER UN ENTRETIEN. SEUL UN TECHNICIEN DE SERVICE QUALIFIÉ PEUT EFFECTUER L'ENTRETIEN OU LA RÉPARATION DE CET APPAREIL ÉLECTRIQUE.**

Si c'est nécessaire de faire un branchement par câble, un électricien qualifié peut retirer le cordon d'alimentation de l'appareil et brancher ce dernier directement au câblage de la maison.

Si vous effectuez un branchement par câble, cet appareil doit être raccordé électriquement et mis à la terre conformément aux codes locaux. En l'absence de tels codes, utilisez la version courante du Code canadien de l'électricité CSA C22.1 au Canada ou du National Electrical Code ANSI/NFPA 70 aux États-Unis.

Fig. 1

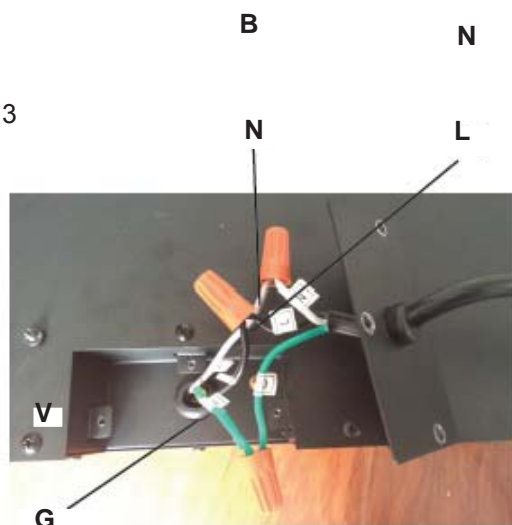
**PLAQUE DE  
RECOUVREMENT**

Fig. 2



- A.** Retirez la plaque de recouvrement située sur le côté droit de l'appareil par retirer les trois vis comme illustrée.
- B.** Enlevez les connecteurs de fils du cordon d'alimentation. Vous pouvez jeter le cordon d'alimentation.
- C.** Utilisant la nouvelle plaque de recouvrement fournie. Enlever le trou de 7/8" (22.2mm) et installez le connecteur de boîte à la boîte de jonction. Serrer le connecteur de boîte aux fils d'alimentation.
- D.** Utilisant les connecteurs de fils pour brancher le fil de terre vert (V), les fils commun ensemble blanc (B) puis les fils noirs chaudes (N), voir la Figure 3.
- E.** Réinstaller la plaque de recouvrement utiliser les trois vis, comme illustrée en Figure 1.

Fig. 3

7/8" (22.2mm)  
Diamètre

## 4.0 FINITIONS

**! AVERTISSEMENT**

LE RACCORDEMENT PAR CÂBLE DOIT ÊTRE COMPLÉTÉ AVANT LA FINITION AFIN D'ÉVITER TOUTE RECONSTRUCTION.

LES ENTRÉES D'AIR ET LES SORTIES D'AIR DE L'APPAREIL NE DOIVENT JAMAIS ÊTRE COUVERTES.

## FR 4.1 D'INSTALLATION DU L'AVANT VITRÉE

**! AVERTISSEMENT**

AVANT D'ENLEVER LA VITRE, ÉTEIGNEZ L'APPAREIL ET ATTENDEZ QUE CE DERNIER SOIT FROID AU TOUCHER. LES VITRES SONT LOURDES ET FRAGILES; MANIPULEZ AVEC SOIN.

75.1

**POUR LES MODÈLES NEFL50/60/72/100FH SEULEMENT:**

- A. Avant d'installer la vitre avant, retirer les vis de fixation de la carte papier à l'intérieur de l'appareil qui protège le panneau de commande. Jeter la carte papier.
- B. Réinstaller les vis, voir la figure 1. (Pour les appareils installés en retrait seulement)
- C. Retirez les 2 vis du haut de l'appareil.
- D. Ayant deux personnes, soulevez le verre haut et loin de l'appareil, tenant le verre vertical pas à plat pendant tout le transport. Placez la face du verre vers le bas sur une surface douce, non abrasive, attention à ne pas fléchir le verre.
- E. Pliez les languettes supérieures à plat, voir la Figure 2
- F. Installer les braises de cristal, référer à la section "INSTALLATION DES BRAISES DE CRISTAL".
- G. Installez la vitre avant en alignant avec les broches sur l'appareil. Appuyez sur le verre vers l'intérieur et en bas pour engager en toute sécurité avec les supports. Il doit être pleinement engagée pour assurer que le panneau d'affichage tactile exécute correctement.
- H. Maintiennent la vitre avant à l'aide des vis fournies en haut de l'appareil, voir la Figure 3. (Si l'appareil est entièrement encastré, ceci n'est pas nécessaire)

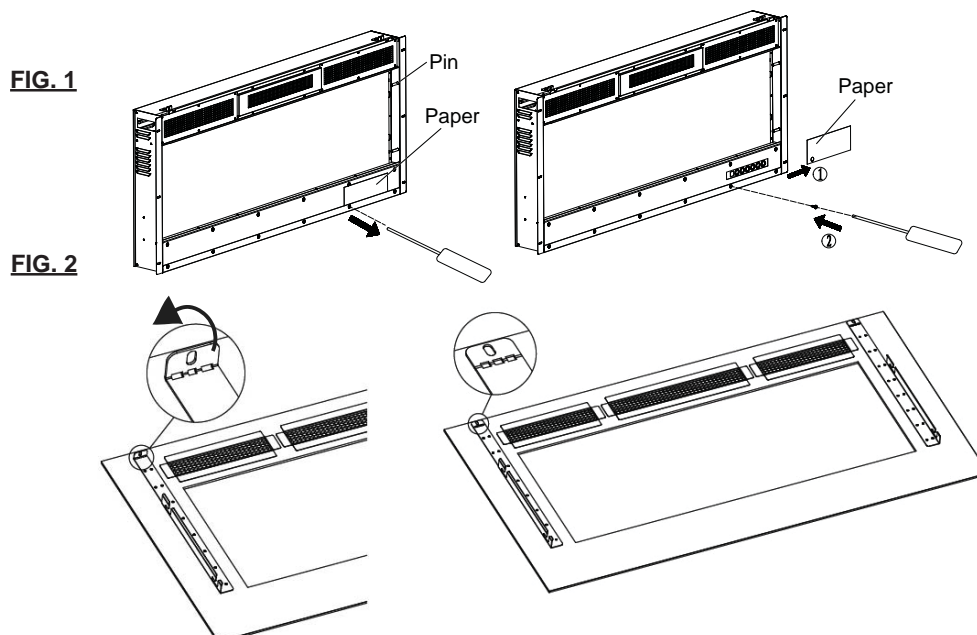
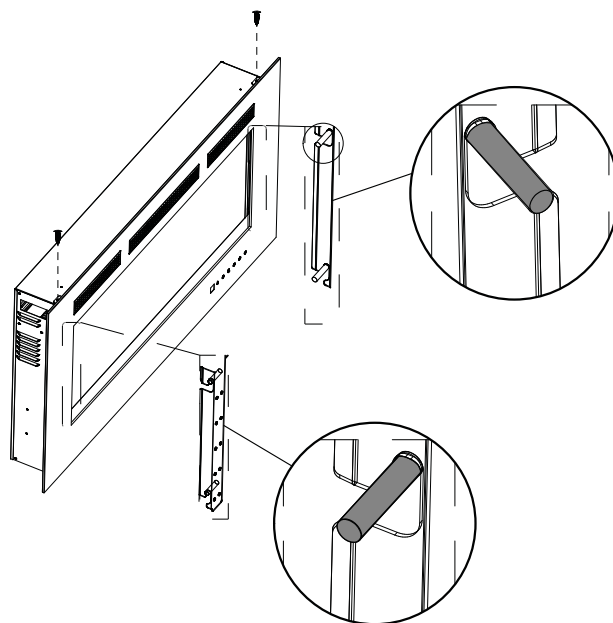


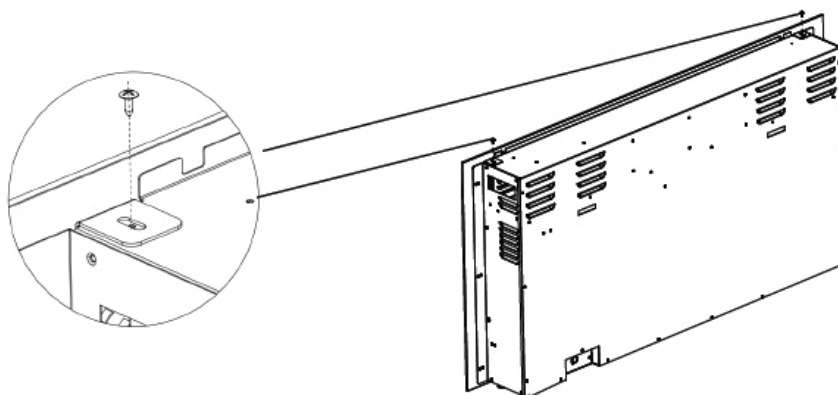
FIG. 3



#### 4.2 L'ENLÈVEMENT DU L'AVANT VITRÉE

##### **POUR MONTAGE MURALE. RECESS PARTIELLE ET TABLETTE INSTALLÉ APPAREIL UNIQUEMENT**

- A. Retirez les 2 vis du haut de l'appareil, comme illustré ci-dessous.
- B. Ayant deux personnes, soulevez le verre haut et loin de l'appareil, tenant le verre vertical pas à plat pendant tout le transport. Placez la face du verre vers le bas sur une surface douce, non abrasive, attention à ne pas fléchir le verre.
- C. Installer les braises de cristal, référer à la section "INSTALLATION DES BRAISES DE CRISTAL". Installez la vitre avant en alignant avec les broches sur l'appareil. Cela garantit que le panneau d'affichage tactile effectue correctement.



#### 4.5 L'INSTALLATION DES BRAISE DE CONCASSÉ

Enlever le face de verre de l'appareil puis mont le dans son emplacement final avant d'installer les braise de verre.

- A. Soigneusement placer les braise de cristaux dans le fond du plateau à la face de l'appareil comme illustré. Placer une autre couche de braise de cristal également de côté à côté



## 5.0 INSTRUCTIONS DE FONCTIONNEMENT

**! AVERTISSEMENT**

**ALORS QUE L'APPAREIL FONCTIONNE NE PAS ENLEVER LE PANNEAU DE VERRE. CELA PARCE QUE LA TÉLÉCOMMANDE ET L'ÉCRAN TACTILE DE DYSFONCTIONNEMENT.**

L'appareil est prêt à fonctionner dès qu'il est correctement branché dans une prise de courant mise à la terre.

**NOTE : Assurez-vous que les disjoncteurs de la maison pour ce circuit soient allumés. Lors d'une panne de courant, quand l'interrupteur est à la position <"I" ON> et la télécommande soit à la position <OFF> , la génération de flamme allumera sur une réglant haut, quand l'alimentation électrique soient en retours.**

## 5.1 INTERRUPTEUR

L'interrupteur MARCHE/ARRET est situé sur la côté avant droit de l'appareil.



## 5.2 UTILISATION DU PANNEAU DE CONTRÔLE



Le panneau d'affichage tactile est indiqué par les DEL en bas à droite en face de l'appareil. Les DEL vont disparaître après 10 secondes s'il n'y a aucun changement de fonction. Le bouton d'alimentation principale sera affaibli.

<b>ALIMENTATION</b>		Met l'appareil ON/OFF.																																				
<b>FLAMME - ORANGE</b>		Contrôle la luminosité de la flamme orange. <b>6 Réglages:</b> ( F5-F4-F3-F2-F1-F0 ) Flamme assombrit de F5 à F1. F5 est le réglage le plus brillant et F0 est éteint.																																				
<b>FLAMME - BLEU</b>		Contrôle la luminosité de la flamme bleue. <b>6 Réglages:</b> ( F5-F4-F3-F2-F1-F0 ) Flamme assombrit de F5 à F1. F5 est le réglage le plus brillant et F0 est éteint.																																				
<b>CHAUFFERETTE</b>		Contrôle le chauffage. Appuyez sur le bouton deux fois, (H0). Appuyez à nouveau, le mode BL pour le ventilateur, souffle l'air frais. Appuyez sur le bouton une troisième fois, (H1) le chauffage se met en marche, souffle de l'air un peu chaud. Appuyez sur le bouton quatrième fois, (H2) de chauffage se met en marche, souffler de l'air chaud. Appuyez à nouveau, le chauffage s'éteint (H0), le chauffage souffle de l'air pour se refroidir avant de s'éteindre. <b>NOTE: Les fonctions de chauffage cycle à partir de H0-BL-H1-H2, Appuyez le bouton de chauffage pendant 5s, le réglage pour le chauffage et celui de la température seront désactivés pour la télécommande et pour l'écran tactile. Appuyez sur le bouton pendant 5s encore, le chauffage se mettra en marche et toutes les fonctions seront déverrouillées.</b>																																				
<b>MINUTERIE</b>		Contrôle de la minuterie. <b>9 Réglages:</b> (0.5h, 1h, 2h, 3h, 4h, 5h, 6h, 7h, 8h) Appuyez sur le bouton jusqu'à atteindre réglage désiré.																																				
<b>TEMPERATURE</b>		1. Appuyez une fois : écran tactile indicateur devient actif. 2. Appuyez à nouveau jusqu'à ce que le réglage souhaité soit atteint. <table border="1"> <thead> <tr> <th>Valeur D'affichage</th> <th>0</th> <th>1</th> <th>2</th> <th>3</th> <th>4</th> <th>5</th> <th>6</th> <th>7</th> <th>8</th> <th>9</th> <th>N</th> </tr> </thead> <tbody> <tr> <td>Température °C</td> <td>18</td> <td>19</td> <td>20</td> <td>21</td> <td>22</td> <td>23</td> <td>24</td> <td>25</td> <td>26</td> <td>27</td> <td>ON</td> </tr> <tr> <td>Température °F</td> <td>64</td> <td>66</td> <td>68</td> <td>70</td> <td>72</td> <td>74</td> <td>76</td> <td>78</td> <td>80</td> <td>82</td> <td>ON</td> </tr> </tbody> </table> <p>Appuyez et maintenez enfoncé le bouton pendant 5 secondes. Cela va changer le bouton en Contrôle de Température, ou vice versa.</p>	Valeur D'affichage	0	1	2	3	4	5	6	7	8	9	N	Température °C	18	19	20	21	22	23	24	25	26	27	ON	Température °F	64	66	68	70	72	74	76	78	80	82	ON
Valeur D'affichage	0	1	2	3	4	5	6	7	8	9	N																											
Température °C	18	19	20	21	22	23	24	25	26	27	ON																											
Température °F	64	66	68	70	72	74	76	78	80	82	ON																											

**AVERTISSEMENT: Ne pas déplacer ou retirer le panneau de verre lorsque l'appareil est branché et fonctionne. Cela provoquera la télécommande et l'écran tactile de ne plus fonctionner.**

## 6.0 ENTRETIEN

### ! AVERTISSEMENT

#### PRÉPARATION POUR L'ENTRETIEN

DÉBRANCHEZ TOUJOURS L'ALIMENTATION ÉLECTRIQUE ET LAISSEZ L'APPAREIL REFROIDIR AVANT DE LE NETTOYER, DE PROCÉDER À SON ENTRETIEN OU DE LE RELOCALISER. TOURNEZ LES CONTRÔLES À « OFF » ET RETIREZ LA FICHE DE LA PRISE DE COURANT OU FERMEZ LE DISJONCTEUR DU CIRCUIT DE VOTRE APPAREIL.

NE PAS INSTALLER D'AMPOULES DE RECHANGE QUI EXCÈDENT LA PUISSANCE (WATTS) MAXIMALE SPÉCIFIÉE.

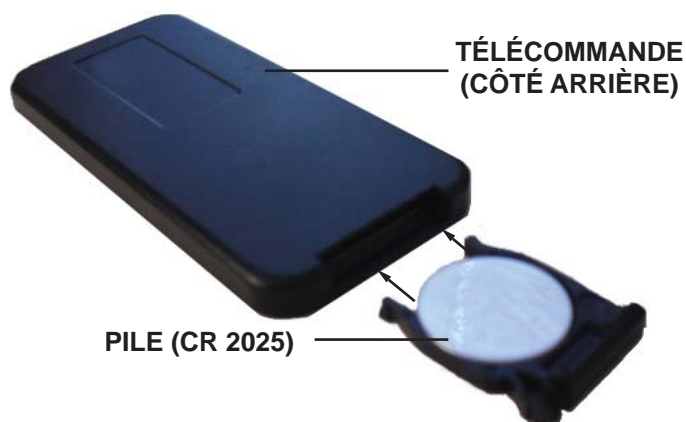
LES AMPOULES HALOGÈNES DE VOTRE APPAREIL DEVIENNENT TRÈS CHAUDES LORS DE LEUR UTILISATION. LORSQUE VOUS DEVEZ LES REMPLACER, ATTENDEZ AU MOINS 10 MINUTES APRÈS AVOIR ÉTEINT VOTRE APPAREIL POUR LES ENLEVER.

NE LAISSEZ PAS LES AMPOULES ENTRER EN CONTACT DIRECT AVEC VOS DOIGTS; LE GRAS SUR VOS DOIGTS ENDOMMAGERA LES AMPOULES LORSQU'ELLES CHAUFFERONT. UTILISEZ DES GANTS OU UN LINGE PROPRE ET SEC LORSQUE VOUS MANIPULEZ LES AMPOULES.

### 6.1 INSTALLATION DE LA PILE DE LA TÉLÉCOMMANDE

**NOTE:** La télécommande a un onglet de plastique détachable pour prolonger la vie de la batterie en expédition, retirez l'onglet de la télécommande pour qu'elle fonctionne.

1. Tournez à télécommande avec le côté arrière vers le haut. Glissez le couvercle des piles de la télécommande.
2. Insérez une pile de type CR2025 dans le support puis réinsérez ce dernier dans la télécommande, comme illustré. **NOTE: Pour faciliter l'installation, maintenez enfoncé le pile tout en glissant le couvercle sur la télécommande**
3. Le couvercle de la pile est bien fixé lorsque vous entendez un « clic ».



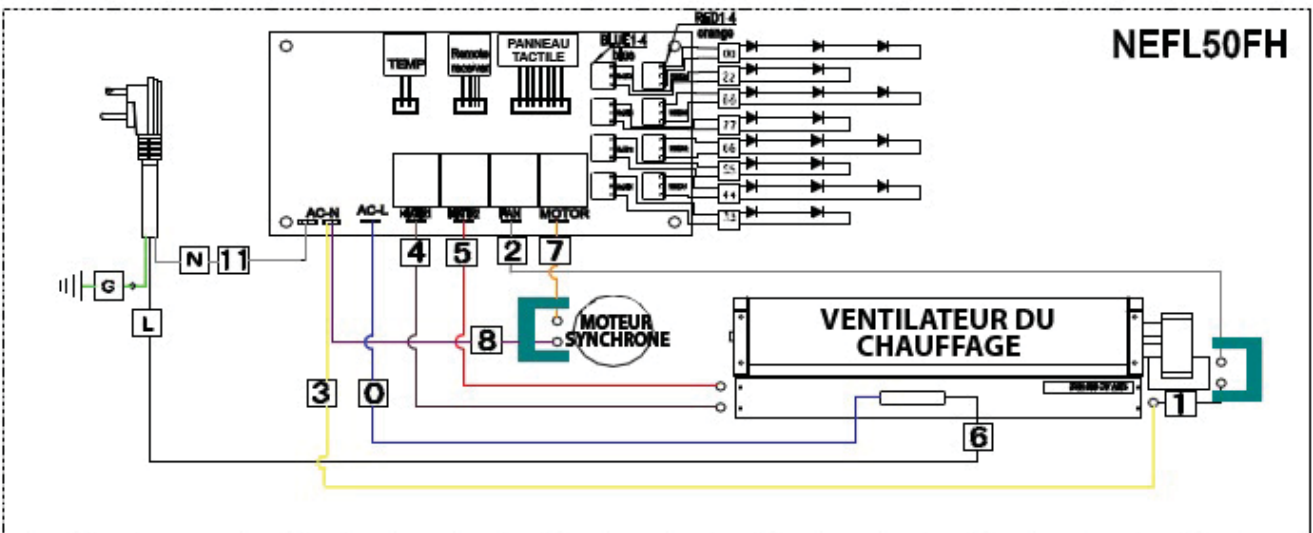
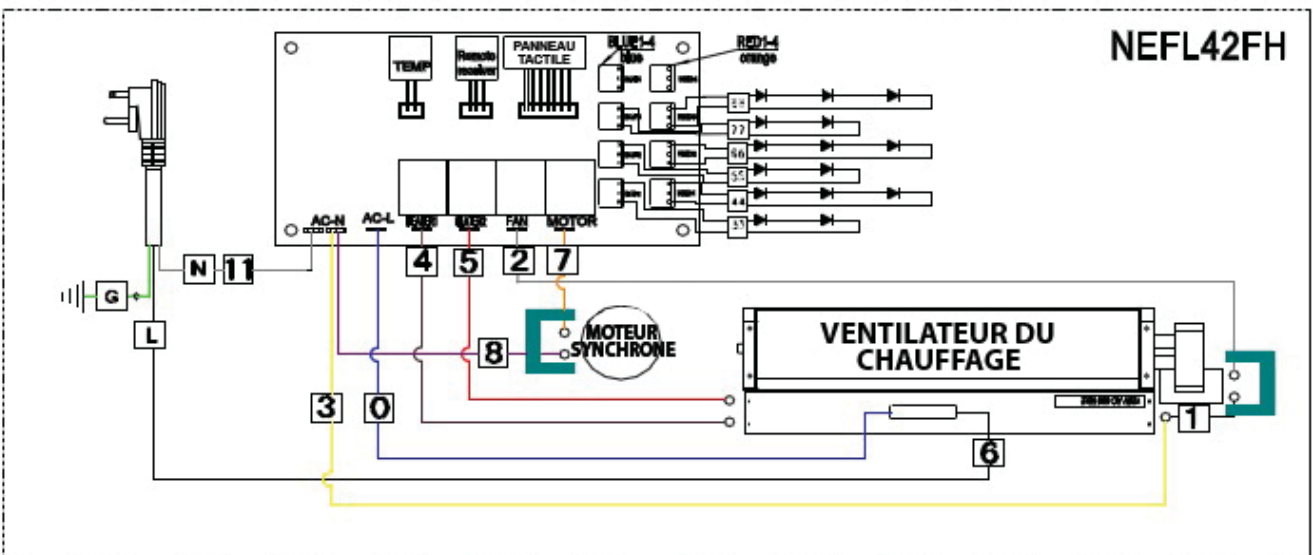
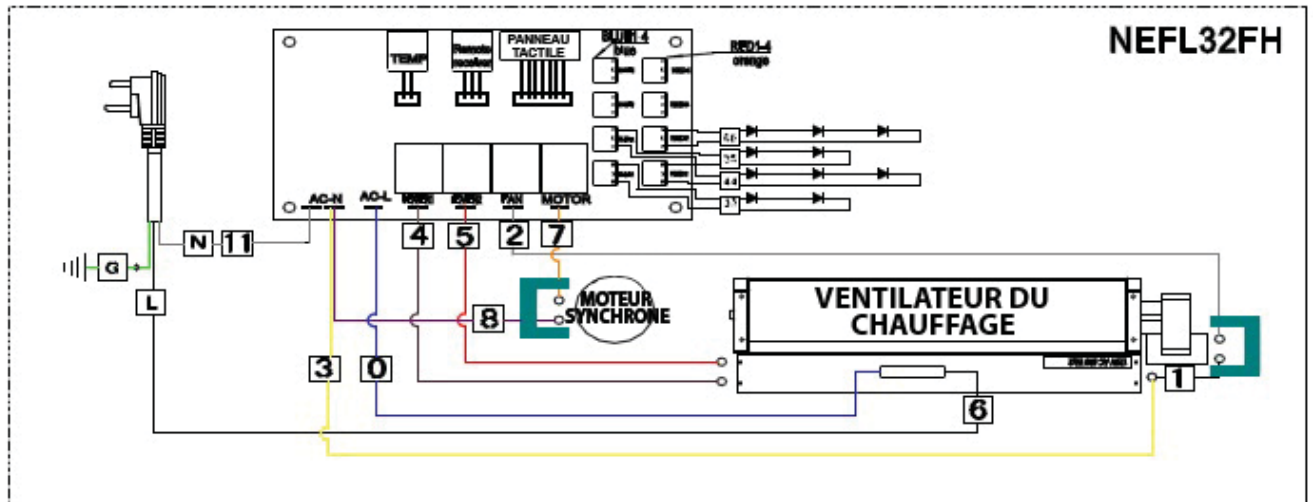
**NOTE:** La télécommande doit rester à 5 mètres ou 17 pieds de l'appareil pour être efficace, cette gamme peut être réduite lorsque la batterie est épuisée.

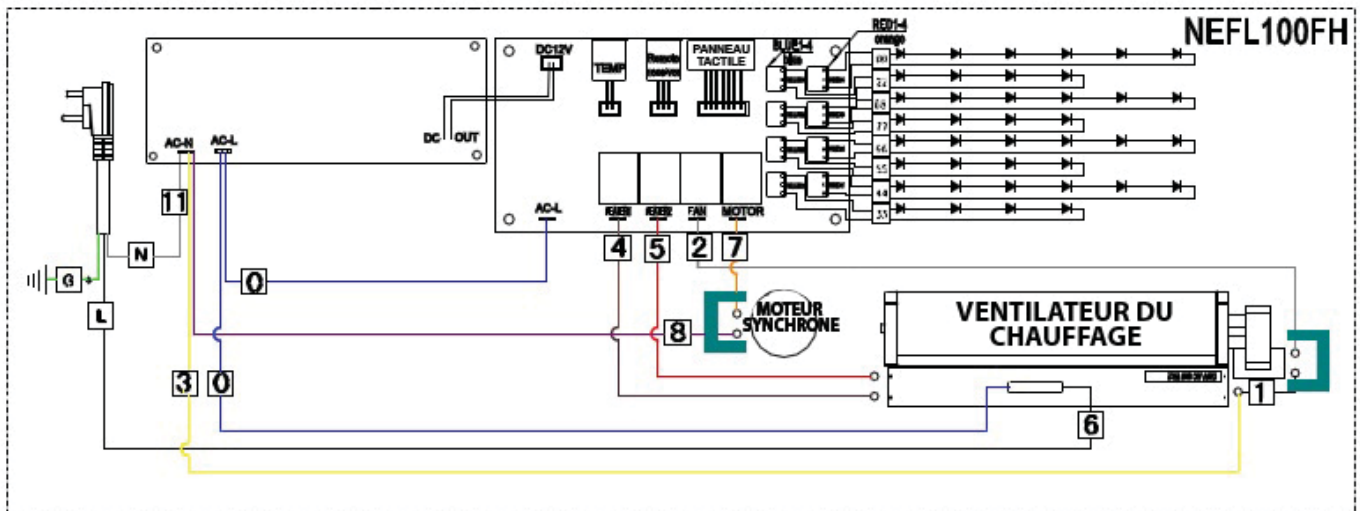
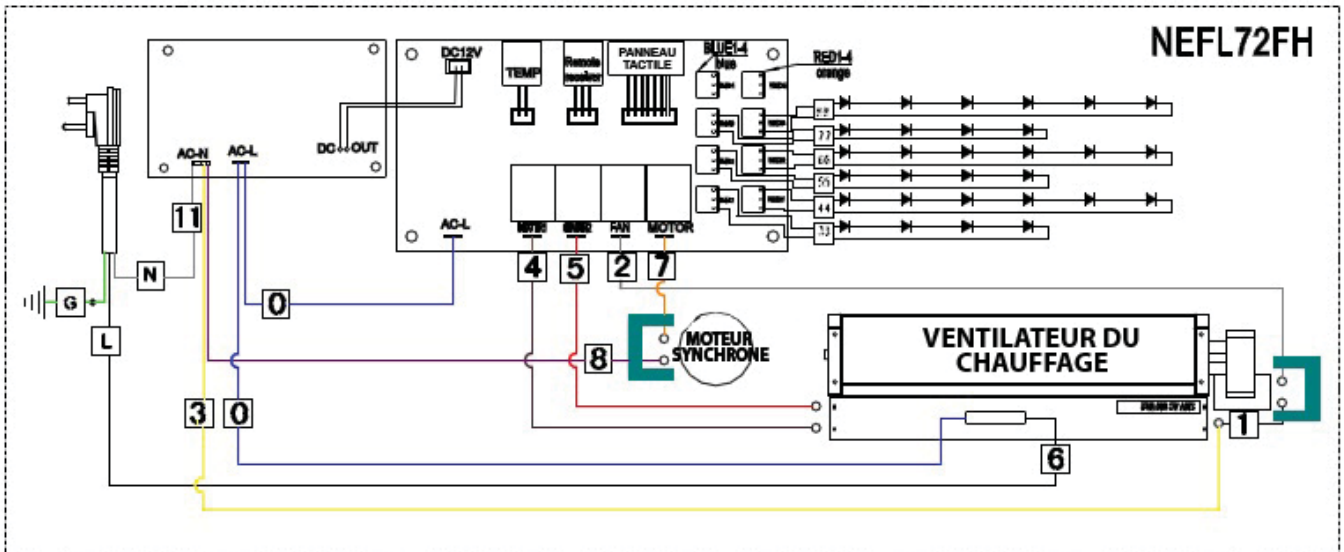
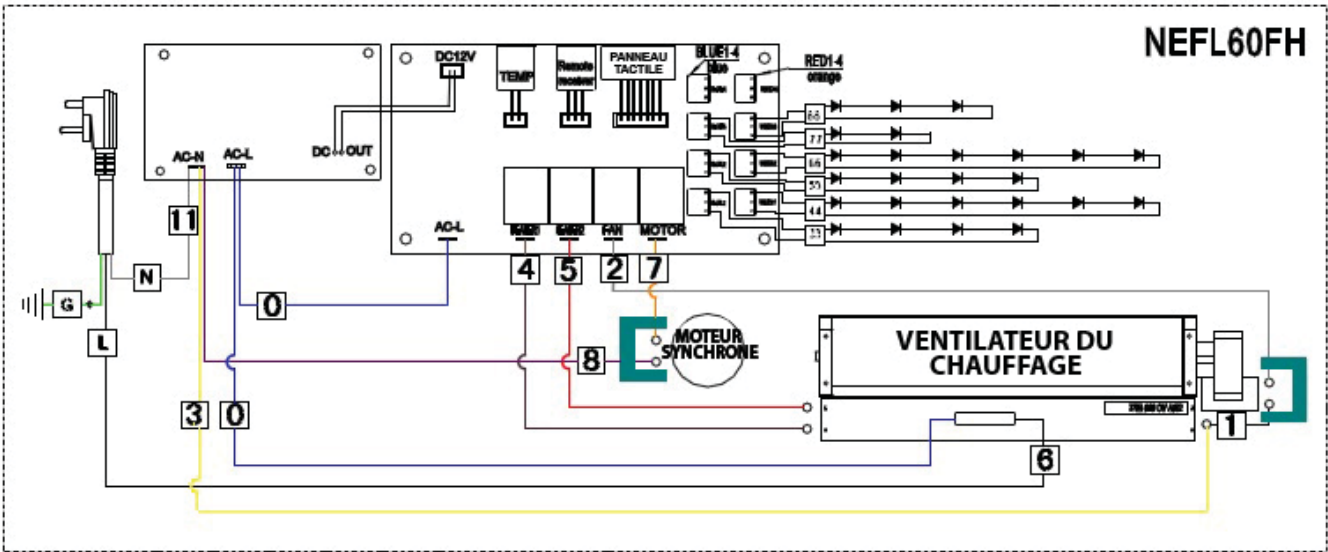
## 7.0 SCHÉMA DE CÂBLAGE

**! AVERTISSEMENT**

COUPEZ L'ALIMENTATION ÉLECTRIQUE À L'APPAREIL ET LAISSEZ-LE REFROIDIR AVANT D'EFFECTUER UN ENTRETIEN. SEUL UN TECHNICIEN DE SERVICE QUALIFIÉ PEUT EFFECTUER L'ENTRETIEN OU LA RÉPARATION DE CET APPAREIL ÉLECTRIQUE.

FR





## 8.0 RECHANGES

Contactez votre détaillant ou le fabricant pour les questions concernant les prix et la disponibilité des pièces de rechange. Normalement, toutes les pièces peuvent être commandées chez votre détaillant autorisé.

**POUR UN REMPLACEMENT DE PIÈCE SOUS GARANTIE, UNE PHOTOCOPIE DE LA FACTURE ORIGINALE SERA REQUISE AFIN DE POUVOIR HONORER LA DEMANDE.**

Lorsque vous commandez des pièces, donnez toujours l'information suivante :

- Modèle et numéro de série de l'appareil
- Date d'installation de l'appareil
- Numéro de la pièce
- Description de la pièce
- Fini

**POUR PLUS D'INFORMATION, CONTACTEZ VOTRE DÉTAILLANT AUTORISÉ.**



### AVERTISSEMENT

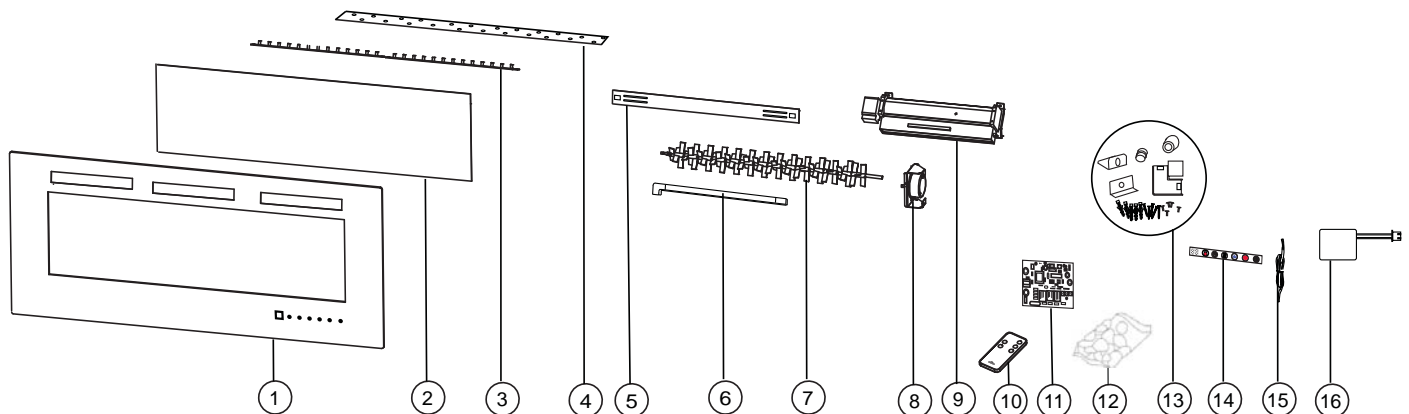
**OMETTRE DE POSITIONNER LES PIÈCES CONFORMÉMENT AU MANUEL OU D'UTILISER UNIQUEMENT DES PIÈCES SPÉCIFIQUEMENT APPROUVÉES POUR CET APPAREIL PEUT CAUSER DES DOMMAGES MATÉRIELS OU DES BLESSURES CORPORELLES.**

41.1

Pour le service après-vente, veuillez composer le 1-866-820-8686

COMPONENTS							
REF.	NEFL32FH	NEFL42FH	NEFL50FH	NEFL60FH	NEFL72FH	NEFL100FH	DESCRIPTION
1	W300-0226	W300-0224	W300-0227	W300-0228	W300-0229	W300-0230	FAÇADE VITRÉE
2	W475-1192	W475-1185	W475-1193	W475-1194	W475-1195	W475-1196	ACRYLIC PLASTIC PANEL
3	W405-0033	W405-0033	W405-0033	W405-0033 + W405-0037	W405-0033 + W405-0037	W405-0033 + W405-0037	LUMIÈRE DU DEL
4	W497-0014	W497-0013	W497-0015	W497-0016	W497-0017	W497-0018	BANDE DE PLASTIQUE
5	W080-1616	W080-1616	W080-1616	W080-1616	W080-1616	W080-1621	SUPPORT DE MUR
6	W200-0571	W200-0572	W200-0572	W200-0572	W200-0572	W200-0572	CACHE DE CORDON
7	W527-0009	W527-0008	W527-0010	W527-0011	W527-0012	W527-0013	REFLECTEUR
8	W435-0077	W435-0077	W435-0077	W435-0077	W435-0077	W435-0077	MOTEUR SYNCHRONUS
9	W010-3728	W010-3728	W010-3728	W010-3728	W010-3728	W010-3728	ASSEMBLAGE DE SOUFFLERIE ET DE CHAUFFERETTE
10	W190-0095	W190-0095	W190-0095	W190-0095	W190-0095	W190-0095	TÉLÉCOMMANDE
11	W190-0096	W190-0096	W190-0096	W190-0101	W190-0101	W190-0101	BORD DE CIRCUIT
12	W497-0019	W497-0020	W497-0021	W497-0022	W497-0023	W497-0024	CRISTAL
13	W370-0050	W370-0050	W370-0050	W370-0055	W370-0055	W370-0057	PIÈCES DU MATÉRIEL
14	W475-1184	W475-1184	W475-1184	W475-1184	W475-1184	W475-1184	PANNEAU DU CONTRÔLE (AVEC TÉLÉCOMMANDE)
15	W750-0370	W750-0371	W750-0372	W750-0373	W750-0374	W750-0375	FAISCEAU DE CÂBLES
16	W690-0021	W690-0021	W690-0021	W690-0021	W690-0021	W690-0021	THERMOSTAT

**NOTE:** Usez de prudence lorsque vous enlevez et jetez des débris de verre ou des composants endommagés. Assurez-vous d'aspirer tous les débris de verre à l'intérieur de l'appareil avant de le faire fonctionner.



## 9.0 GUIDE DE DÉPANNAGE

**! AVERTISSEMENT**

**COUPEZ L'ALIMENTATION ÉLECTRIQUE À L'APPAREIL ET LAISSEZ-LE REFROIDIR AVANT D'EFFECTUER UN ENTRETIEN. SEUL UN TECHNICIEN DE SERVICE QUALIFIÉ PEUT EFFECTUER L'ENTRETIEN OU LA RÉPARATION DE CET APPAREIL.**

SYMPTÔME	PROBLÈME	SOLUTIONS
La luminosité du jeu de flammes est faible ou inexistante	DEL sont épuisés ou sont défectueux.	Vérifiez les DEL à l'intérieur et remplacez-les au besoin
Le lit de braises ne s'illumine pas ou ne diminue pas en luminosité	Braie DEL sont brûlées	Vérifiez que les braises DEL et remplacez-les au besoin
	L'appareil de chauffage est brûlé	Inspecter l'appareil de chauffage et l'assembler et remplacez-les au besoin
L'appareil n'émet aucune chaleur	La température ambiante est plus élevée que le réglage de l'appareil (si réglée au température du chambre)	Réglez l'appareil à une température plus élevée
L'appareil s'éteint et ne se rallume pas	L'appareil a surchauffé et le dispositif de sécurité a entraîné le déclenchement de l'interrupteur thermique	Débranchez le cordon d'alimentation et laissez l'appareil refroidir pendant 15 minutes, puis branchez le cordon d'alimentation et mettez l'appareil sous tension.
	Le disjoncteur de la maison s'est déclenché	Réinitialisez le disjoncteur
L'appareil ne s'allume pas lorsque l'interrupteur est mis à « ON »	L'appareil n'est pas branché dans une prise de courant	Vérifiez la fiche puis rebranchez-la
	L'appareil a surchauffé et le dispositif de sécurité a entraîné le déclenchement de l'interrupteur thermique	Débranchez le cordon d'alimentation et laissez l'appareil refroidir pendant 15 minutes, puis branchez le cordon d'alimentation et mettez l'appareil sous tension.
	La carte de circuit est brûlée	Inspecter la carte de circuit et remplacez-les au besoin
La télécommande ne fonctionne pas	Les piles sont faibles	Remplacez les piles de la télécommande
La chaufferette s'éteint automatiquement	La température ambiante est trop élevée	L'appareil est équipé d'un thermostat intégré et s'éteindra automatiquement lorsque la température programmée sera atteinte. Il s'allumera automatiquement lorsque la température de la pièce descendra en dessous de la température programmée. La température programmée dépend des réglages sélectionnés pour la chaufferette

## 10.0 GARANTIE

Les foyers électriques NAPOLÉON sont fabriqués conformément aux normes strictes du Certificat d'assurance de qualité mondialement reconnu ISO 9001 : 2008.

Les produits NAPOLÉON sont conçus avec des composants et des matériaux de qualité supérieure, assemblés par des artisans qualifiés qui sont fiers de leur travail. Une fois assemblé, chaque foyer est soigneusement inspecté par un technicien qualifié avant d'être emballé pour garantir que vous, le client, recevez le produit de qualité dont vous vous attendez de NAPOLÉON.

### GARANTIE LIMITÉE DES APPAREILS ÉLECTRIQUES NAPOLÉON

Les composants électriques et les pièces soumises à l'usure tels que la soufflerie/chaufferette, les moteurs, les interrupteurs, les roulements à billes en nylon et les télécommandes sont couverts et NAPOLÉON fournira gratuitement les pièces de rechange durant la première année de la garantie limitée.

Les ampoules et les fusibles NE SONT PAS couverts par la garantie.

Les coûts de main-d'oeuvre relatifs aux réparations garanties ne sont pas couverts.

\*La fabrication de chaque modèle varie. La garantie s'applique uniquement aux composants disponibles avec votre appareil.

### CONDITIONS ET LIMITATIONS

NAPOLÉON garantit ses produits contre les défauts de fabrication à l'acheteur d'origine seulement. L'enregistrement de la garantie n'est pas nécessaire. Fournissez simplement une preuve d'achat ainsi que le modèle et le numéro de série afin d'effectuer une réclamation de garantie. Napoléon® se réserve le droit de demander à son représentant d'inspecter tous produits ou pièces avant d'honorer toute réclamation. L'achat doit avoir été fait par l'entremise d'un détaillant NAPOLÉON® autorisé et sous réserve des conditions et limitations suivantes :

La couverture de la garantie débute à partir de la date d'installation originale.

Cette garantie du fabricant n'est pas transférable et ne peut être prolongée ou étendue par aucun de nos représentants quelle qu'en soit la raison.

L'installation doit être faite conformément aux instructions d'installation incluses avec le produit et à tous les codes d'incendie et de construction locaux et nationaux.

Cette garantie limitée ne couvre pas les dommages causés par un mauvais usage, un manque d'entretien, un accident, des altérations, des abus ou de la négligence, et l'installation de pièces d'autres fabricants annulera cette garantie.

Cette garantie limitée ne couvre pas non plus les égratignures, les bossellements, la corrosion ou la décoloration causée par une chaleur excessive, des produits d'entretien chimiques et abrasifs ou l'écaillage de pièces en porcelaine émaillée, le bris par manipulation des bûches Phazer®.

Au cours de la première année seulement, cette garantie s'étend à la réparation ou au remplacement des pièces garanties dont les matériaux ou la fabrication sont défectueux à la condition que le produit ait été utilisé conformément aux instructions de fonctionnement et dans des conditions normales.

NAPOLÉON ne sera pas responsable de l'installation, de la main d'oeuvre ou autres coûts ou dépenses relatives à la réinstallation d'une pièce garantie, et de telles dépenses ne sont pas couvertes par cette garantie. Nonobstant toutes les dispositions contenues dans cette Garantie Limitée, la responsabilité de NAPOLÉON sous cette garantie est définie comme ci-dessus et elle ne s'étendra à aucun dommage accidentel, consécutif ou indirect.

Cette garantie définit l'obligation et la responsabilité de NAPOLÉON en ce qui concerne l'appareil électrique NAPOLÉON. Toute autre garantie énoncée ou implicite en ce qui concerne ce produit, ses composants ou accessoires est exclue.

NAPOLÉON n'endosse, ni n'autorise aucun tiers à assumer en son nom, toutes autres responsabilités concernant la vente de ce produit.

Tous dommages causés à l'appareil, aux garnitures en laiton ou autres composants par l'eau, les dommages causés par les intempéries, de longues périodes d'humidité, la condensation, des produits chimiques ou produits d'entretien nuisibles ne seront pas la responsabilité de NAPOLÉON.

La facture ou sa copie sera requise ainsi que le numéro de série et le numéro de modèle lors d'une réclamation auprès de votre détaillant autorisé. La carte d'enregistrement de garantie doit être retournée dans les quatorze jours pour enregistrer la garantie.

NAPOLÉON® se réserve le droit de demander à son représentant d'inspecter tout produit ou pièce avant d'honorer toute réclamation.

Toutes les pièces remplacées en vertu de la politique de Garantie limitée ne peuvent faire l'objet que d'une seule réclamation.

Toutes les pièces remplacées au titre de la garantie seront couvertes pour une période de 90 jours à partir de leur date d'installation.

Le fabricant peut exiger que les pièces défectueuses ou les produits soient retournés ou que des photos numériques soient fournies pour valider la réclamation. Les produits retournés doivent être expédiés port payé au fabricant pour une inspection en usine. Si un produit est déclaré défectueux, le fabricant le réparera ou le remplacera.

Avant d'expédier votre appareil ou les pièces défectueuses, votre détaillant doit obtenir un numéro d'autorisation. Toute marchandise expédiée à notre usine sans autorisation sera refusée et retournée à l'expéditeur.

Les coûts d'expédition ne sont pas couverts par cette garantie.

Des frais de service supplémentaires peuvent être appliqués si vous cherchez à obtenir des services au titre de la garantie auprès d'un détaillant.

TOUTES LES SPÉCIFICATIONS ET LES CONCEPTIONS SONT SUJETTES À MODIFICATIONS SANS PRÉAVIS EN RAISON DES AMÉLIORATIONS CONSTANTES APPORTÉES AUX PRODUITS. NAPOLÉON EST UNE MARQUE DE COMMERCE DÉPOSÉE DE WOLF STEEL LTÉE.

2.5C



Autres produits Napoléon



Foyers encastrés • Grils au charbon de bois • Foyers au gaz • Cascades d'eau  
Poêles à bois • Produits HVAC • Foyers électriques • Foyers extérieurs • Grils à gaz de qualité



7200, Route Transcanadienne, Montréal, Québec H4T 1A3  
24 Napoleon Road, Barrie, Ontario, Canada L4M 0G8  
214 Bayview Drive, Barrie, Ontario, Canada L4N 4Y8  
103 Miller Drive, Crittenden, Kentucky, USA 41030

Foyers / Chauffage et Climatisation / Grils composez : 514-737-6294  
napoleonproducts.com