

Navimow X4 Series User Manual



Table of Contents

1. Safety Instructions	1
1.1 Safety Warnings	1
1.2 Symbols and Decals	3
2. Product Overview	4
2.1 Inside the Box	4
2.2 Parts and Functions	5
2.3 Specifications	7
2.4 Accessories	8
3. Installation	12
3.1 Activate the Mower	12
3.2 Activate Network RTK Service (Recommended)	13
3.3 Antenna	13
3.4 Charging Station	16
3.5 Update Navimow OS	18
4. Operation	18
4.1 Create Map	18
4.2 Mow	23
4.3 Basic Functions	25
4.4 Safety Features	26
4.5 Instructions for Apple Find My	28
4.6 Advanced Features	31
5. Maintenance	33
5.1 Cleaning	33
5.2 Replace Blades	33
5.3 Transportation	35
5.4 Battery	36
5.5 Storage and Restorage	37
5.6 Recycling and End-of-Life Disposal	38
6. Warranty and Compliance	39
6.1 Limited Warranty	39
6.2 Certifications	46
6.3 Sensors and Interfaces	47
7. Contact Us	48
8. Trademark and Disclaimer	48

Welcome

Thank you for choosing Navimow X4!

Powered by Xero-Turn™ AWD four-wheel drive and MowMentum™ dual floating cutting discs, Navimow X4 effortlessly conquers steep slopes and rough terrain, while delivering unmatched daily mowing performance on super large lawns. With Navimow X4, the intelligent, effortless lawn care is now at your fingertips.



1. Safety Instructions

1.1 Safety Warnings

IMPORTANT

READ CAREFULLY BEFORE USE

KEEP FOR FUTURE REFERENCE

- 1) Be sure to install and operate the Navimow (referred to as the mower in the manual) and the charging station according to the instructions. Go to navimow.com for the complete User Manual and the latest user materials.
- 2) This product is for both consumer and commercial use. The user assumes full responsibility for determining its suitability for their specific needs. By using this product, you acknowledge that it is your responsibility to ensure the use of product complies with any applicable laws, regulations, and standards. Using the mower for purposes other than mowing can bring serious injury. To avoid risks of injuries, please read and understand all the warnings and cautions. Please understand that you can reduce the risk by following the instructions and warnings in this manual, but you cannot eliminate all the risks. The operator or user is responsible for accidents or hazards occurring to other people on their property.
- 3) Navimow has many built-in safety sensors, however, safety risks still exist. Set a mowing time when there are no people or pets on the lawn. Inform the neighbors about the risks for accidents or hazards. When using the mower on a public lawn, or when your lawn is open to your neighbor or street, protect or fence the lawn, or put up a warning sign around the working area that says: WARNING! Automatic lawnmower! Keep away from the machine! Supervise children!
- 4) DO NOT modify the mower by yourself. Modifications could interfere with mower operations, result in serious injury and/or damage, or void the Limited Warranty. Use only Navimow approved parts and accessories.
- 5) The manufacturer recommends that users be at least 18 years of age. Be sure to get the necessary training before operating the machine.

WARNING

Never allow children, persons with reduced physical, sensory or mental capabilities or lack of experience and knowledge or people unfamiliar with these instructions to use the machine. Local regulations may restrict the age of the operator.

Before Mowing:

- Regularly check that all parts of the mower can function normally.
- For the best mowing results, it is recommended to mow in dry weather. When mowing in the rain, grass clippings can get stuck at the bottom of the mower, causing the mower to slip. DO NOT mow in bad weather, such as heavy rain, heavy fog, thunderstorm or snow.
- Periodically inspect the area where the machine is to be used and remove all stones, sticks, wires, bones, and other foreign objects. The Limited Warranty does not cover damages caused by objects left on the lawn.
- To avoid possible damage, keep the operating mower at least 1 m (3 feet) away from sprinkler heads. The mower and the sprinkler should NOT work simultaneously. Adjust the mowing schedule so that it works at a different time from the sprinkler.
- NEVER allow children to touch the power supply unit, charging station, blades, the battery compartment, or any parts with gaps such as the wheels.

WARNING

Never operate the machine or its accessories if the guards or shields are damaged, or if the cord is damaged or worn.

When Mowing:

- Keep away from the rotating blades! DO NOT put hands or feet under or near the rotating blades.
- Watch out for throwing objects! Keep a safe distance from the mower when operating.
- DO NOT leave the machine to operate unattended if you know that there are pets, children or people in the vicinity.

- DO NOT reach beyond the capabilities of the mower. While remotely controlling the mower and its accessories, keep your balance, watch your steps, walk but never run. Walk, never run while operating the machine or its accessories.

WARNING

- DO NOT allow children to be in the vicinity or play with the machine when it is operating.
- DO NOT lift the mower in operation. DO NOT ride on the mower.
- DO NOT mow on areas with slopes steeper than the maximum incline inside the working area (84%), as well as the boundary (84%).
- If the mower makes an abnormal sound or signals an alarm, press the STOP button immediately.
- If there are abnormal vibrations, turn off the mower, place it on level ground for about 30 seconds and then restart. If the issue persists, contact authorized after-sales service.
- DO NOT touch moving hazardous parts before they have come to a complete stop.


Safe Usage:

- DO NOT operate or charge the mower outside the temperature limits: 0–40°C (32–104°F), because low/high temperatures can decrease mower performance and even lead to accidents.
- DO NOT place anything on the mower or the charging station.
- It is recommended to conduct regular maintenance of the mower (See Maintenance in the User Manual) by an adult.
- Regularly check the warning devices to ensure they are effective. These devices include the buzzer, the LED light on the charging station, and the LCD display screen on the mower.
- Before charging, please read How to Charge in User Manual. Improper use may cause electric shock, overheating, or leakage of corrosive liquid.
- Use only the original battery pack or that of the same model as specified by Navimow. Each mower contains one battery pack. Depending on the specific mower model, the rated capacity of the battery is 12.8 Ah. Contact after-sales service and have a professional technician to replace the battery pack.
- Do not use non-rechargeable batteries. For the purposes of recharging the battery, only use the detachable supply unit provided with this appliance. For the United States and Canada: NBW32D007D0N01-US.
- DO NOT dismantle or puncture the battery casing. Keep away from metal objects to prevent short circuit. Keep away from fire, heat and direct sunlight.
- For information about battery and electrical waste, please contact your household waste disposal service, your local or regional waste management office, or your point-of-sale.
- When replacing the blades, please be careful and wear protective gloves as the blades may cause damage.
- If the cord on the power supply or the extension cable becomes damaged or entangled during use, disconnect the power supply from the power socket and then untangle. To avoid a hazard, pull the body of the plug rather than the cord when separating the power supply from the power socket. Contact after-sales service and have a professional technician to repair or replace the cord.
- When cleaning, inspecting for damage, or checking for abnormalities, the mower must be powered off, and the charging station must be unplugged from the power supply.

1.2 Symbols and Decals

Please study the symbols on the product and labels carefully and understand their meaning:




 WARNING-Read instruction manual before operating the machine.




 WARNING-Do not touch rotating blade.




 WARNING-Keep a safe distance from the machine when operating.



 WARNING-Do not ride on the machine.



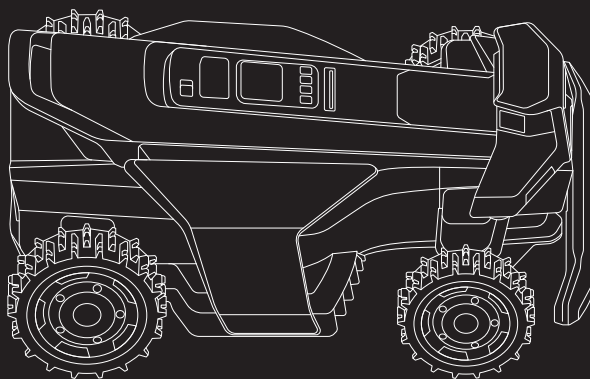
 WARNING-Operate the disabling device before working on or lifting the machine*.
* The disabling device hereby refers to the safety lock. Before lifting or operating the mower, enable the safety lock by selecting the Safety Lock icon on the mower's screen and press OK.



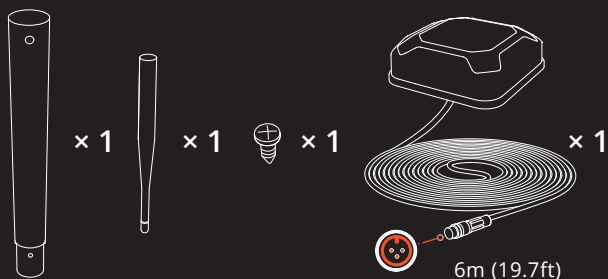
2. Product Overview

2.1 Inside the Box

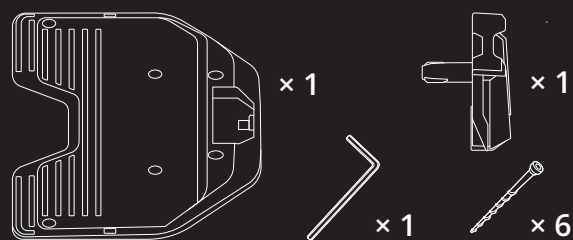
If there are missing or defective parts, please contact after-sales service. **We recommend retaining the package materials for future transportation and shipping.**



Navimow X4 Series



GNSS antenna



Charging station and the installation kit



× 1

Power supply adapter (for charging station)

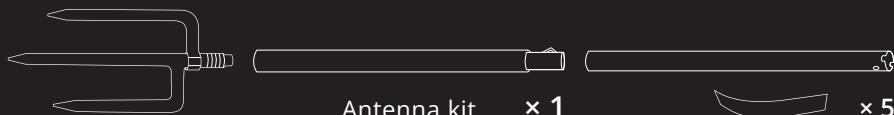


× 1

Extension cable for the power supply

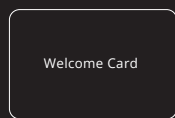
⚠ WARNING

Sharp edges. Do not point at people.

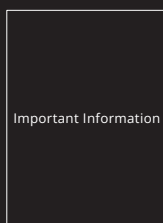


Antenna kit × 1

× 5



Welcome Card



Important Information



Quick Start Guide



× 20

Pegs to secure the extension cable



× 36

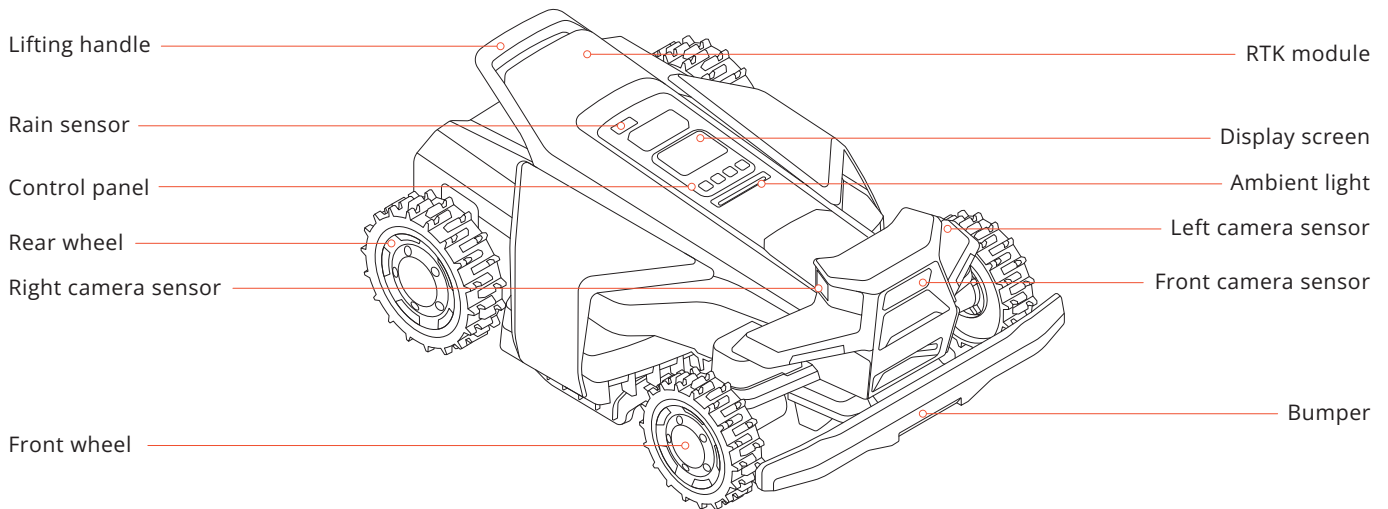


× 36

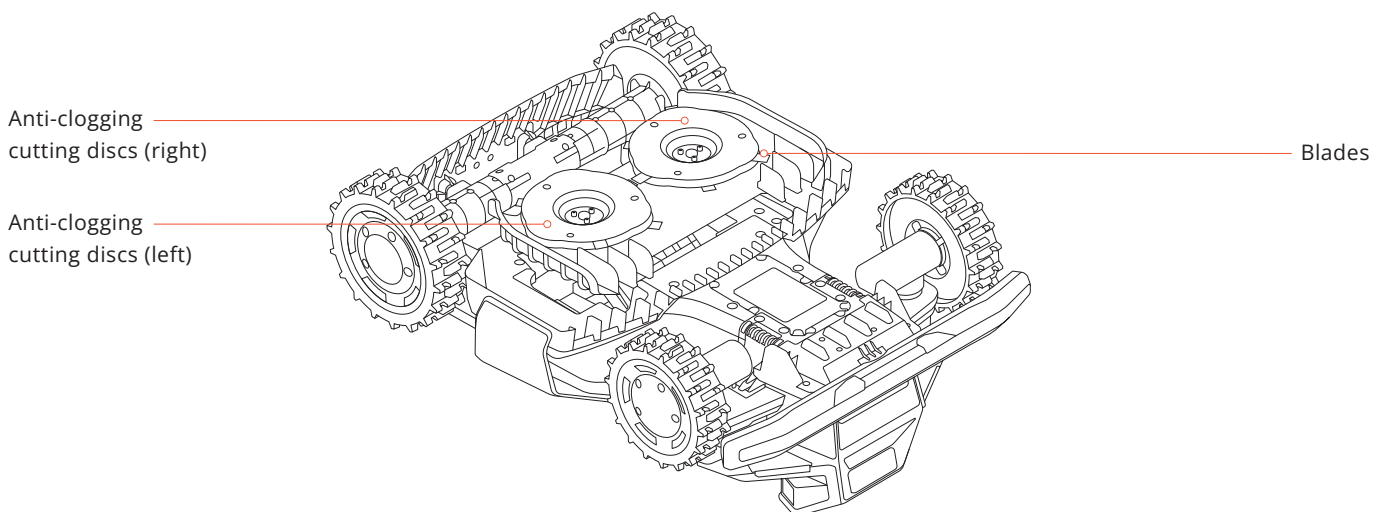
Spare blades and bolts

2.2 Parts and Functions

2.2.1 Mower





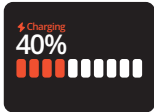

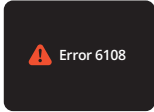






- Lifting handle: Use it to lift the mower up when necessary.
- RTK module: Used for auxiliary positioning.
- Rain sensor: Detects raindrops and triggers the mower to return to the charging station.
- Display screen: Shows the status of the mower and supports setting cutting height, languages, and measurement units.
- Control panel: Use the buttons to start mowing, lock/unlock the mower, send the mower for recharge, and other basic operations.
- Ambient light: Shows different status of the mower based on different lighting effects.
- Camera sensors: Three camera sensors with 360° coverage detect non-grass objects to prevent collisions.
- Bumper: Used to stop the mower when it hits an obstacle.
- Rear and front wheels: Four-wheel drive off-road wheels for stronger grip and better resistance.

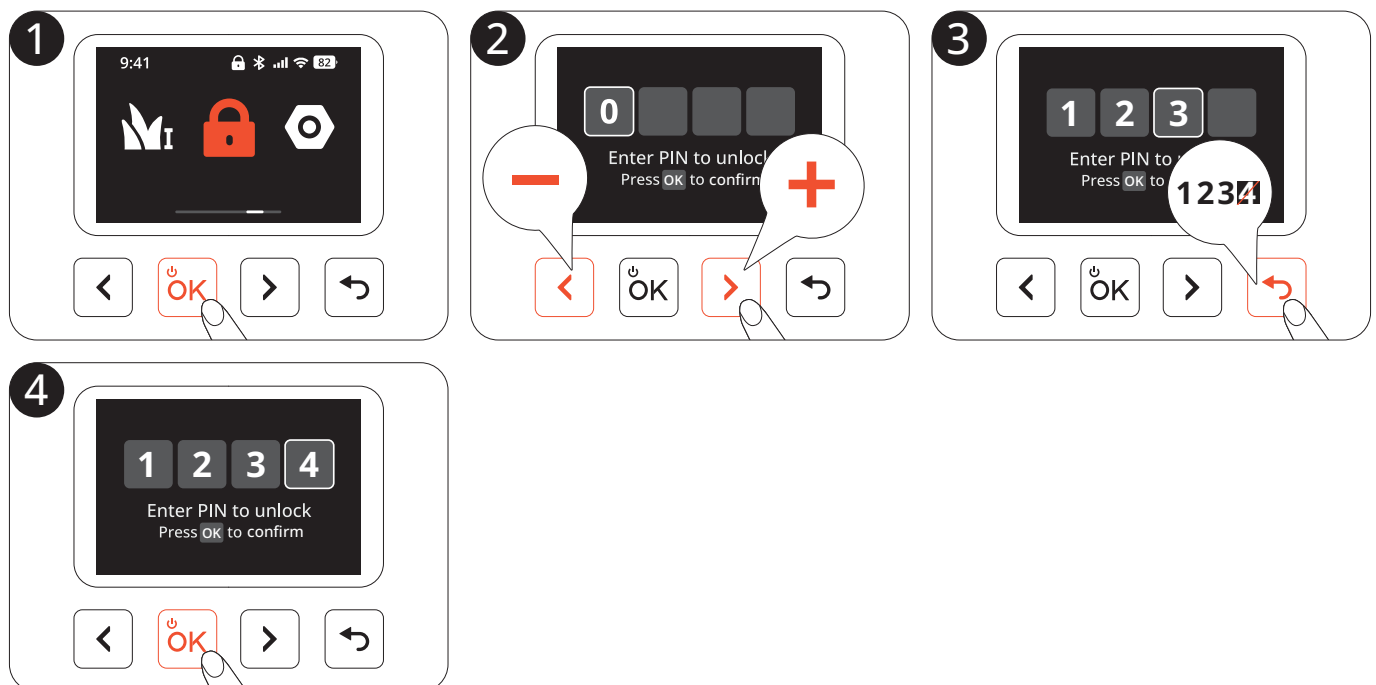


- Blades: The blades can rotate freely after being attached to the cutting disc. During mowing, they swing outward to cut the grass. When hitting an obstacle, they fold inward for protection.
- Anti-clogging cutting discs: Reduces chances of grass clippings getting stuck in the blades, so the blades can be used for a longer time.

2.2.2 Display and Control

Operation	Display screen	Lights on the mower	Operation	Display screen	Lights on the mower
Power on: Press OK		Flashing yellow	Mapping		Solid blue
Power off: Press OK and hold for 3 seconds		Solid blue	Blades are about to rotate		Flashing white
Charging		Pulsing green: Charging is in progress Solid green: Fully charged	Send the mower to the charging station		Solid blue
Error: Follow the instructions via the app to clear the error code		Flashing red	Child lock: Turn it on via the app		/
Lifted up, tilted, or turned over		Solid red	Safety lock: Select the Safety Lock icon and turn it on		/
Software update		Pulsing white			

2.2.3 PIN Code



2.3 Specifications

		X430 (Black)	X450 (Black)
Basic Information	Dimensions: Length × Width × Height	33.50 x 24.00 x 13.80 in	
	Net Weight (Battery Included)	63.71 lbs	
Mower Parameters	Recommended Mowing Area	1 acre	1.5 acres
	Typical Mowing Time Per Full Charge[1]	About 110 min	
	Area Capacity per Hour	5382 ft ²	6458 ft ²
	Cutting Width	17 in	
	Cutting Height	0.75-4.0 in	
	Charging Time	About 90 min	
Noise Emissions[2]	Measured Sound Power Level LWA	68 dB(A)	
	Sound Power Uncertainties KWA	3 dB(A)	
	Sound Pressure Level LpA	60 dB(A)	
	Sound Pressure Uncertainties KpA	3 dB(A)	
Working Conditions	Working Temperature	0–40°C (32–104°F); 10–35°C (50–95°F) recommended	
	Storage Temperature	-20–50°C (-4–122°F); 10–35°C (50–95°F) recommended	
	IP Rating	IP66 for mower body and charging station IP67 for power supply and camera	
	Max. Incline Inside Working Area	84%	
	Max. Incline at Boundary	84%	
Blade Motor	Rated Speed	2800/min	
Battery Pack	Battery Type	Lithium-ion battery	
	Nominal Voltage	21.6 V DC	
	Nominal Capacity/Energy	12.8 Ah / 276 Wh	
Power Supply	Input Voltage	100-240 V AC	
	Output Voltage	32 V DC MAX	
	Output Current	7 A MAX	
	Cable Length	Power cable: 5.9 ft / Extension cable: 33 ft	
Charging Station	Input Voltage	32 V DC	
	Input Current	7 A MAX	
	Output Voltage	32 V DC	
	Output Current	7 A MAX	
	Indicator	LED	

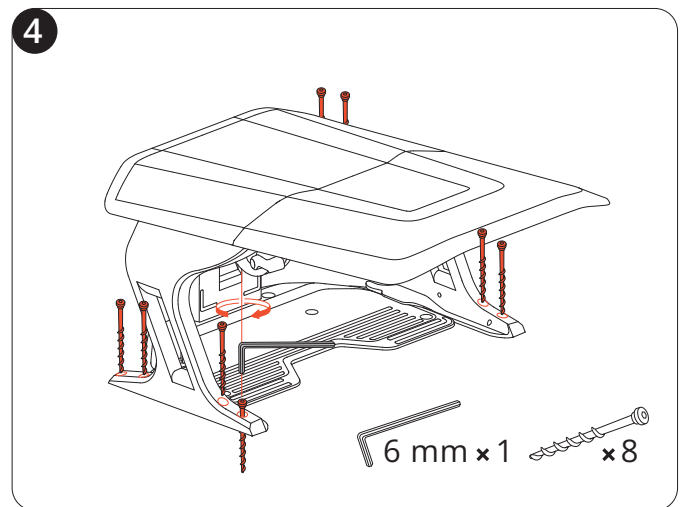
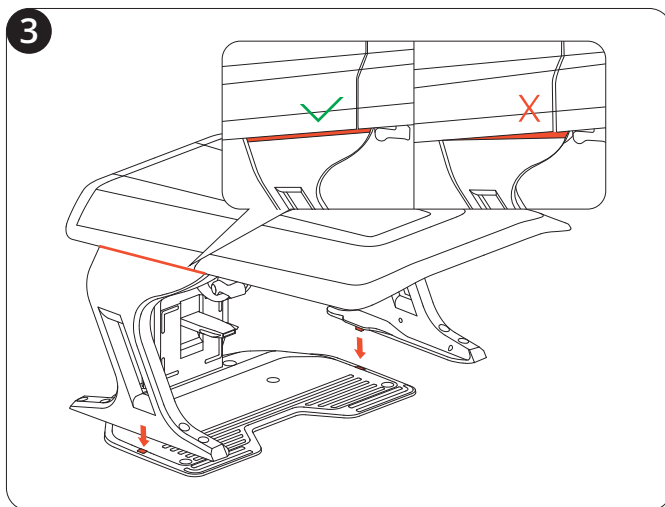
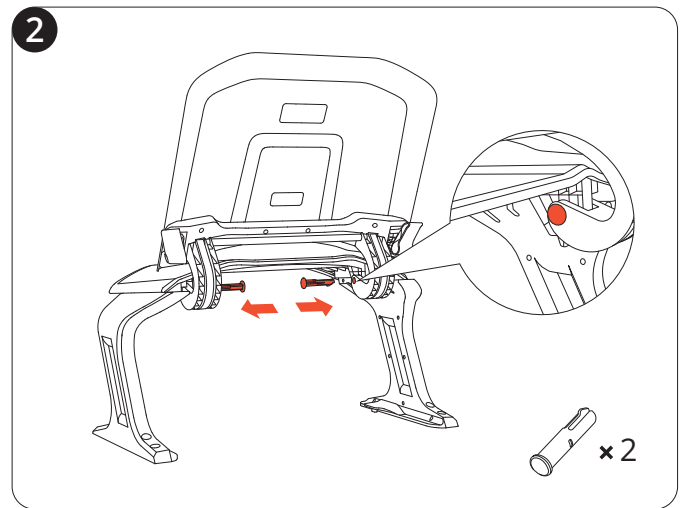
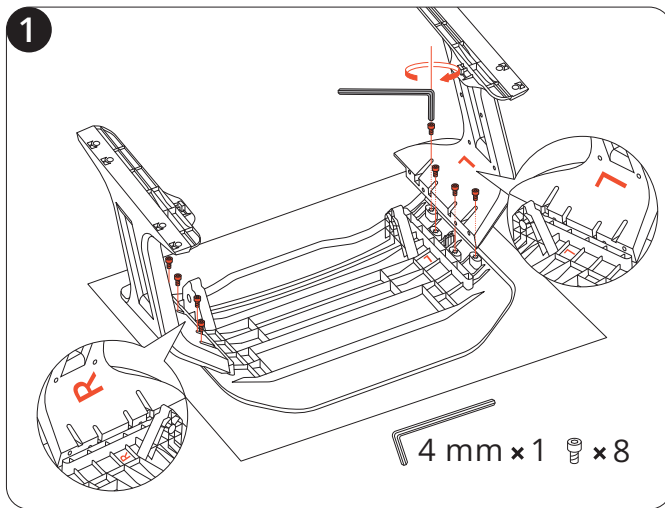
[1] Tested at a standard cutting speed with a full battery at an ambient temperature of 25°C (77°F) while mowing a fresh-cut lawn. The product can mow more per hour on open areas than on separated small lawns. When the grass is wet or long, the working capacity is smaller. The flatter the lawn surface, the larger the working capacity.

[2] The noise emission declarations conform to EN 50636-2-107.

2.4 Accessories (Sold Separately)

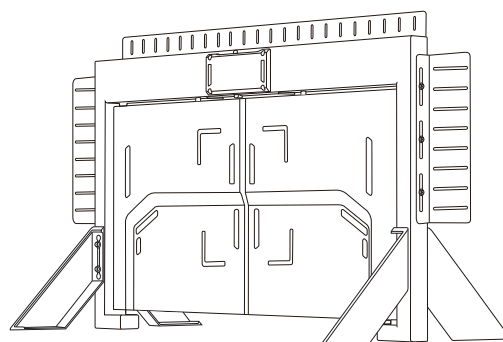
2.4.1 Navimow Garage X

Navimow Garage X is fully compatible with Navimow X4, as it does not block GPS signals or network connectivity. The garage provides extra protection against sunshine and rain. The flip-up cover enables easy access to the control panel so you can operate the mower on the charging station.



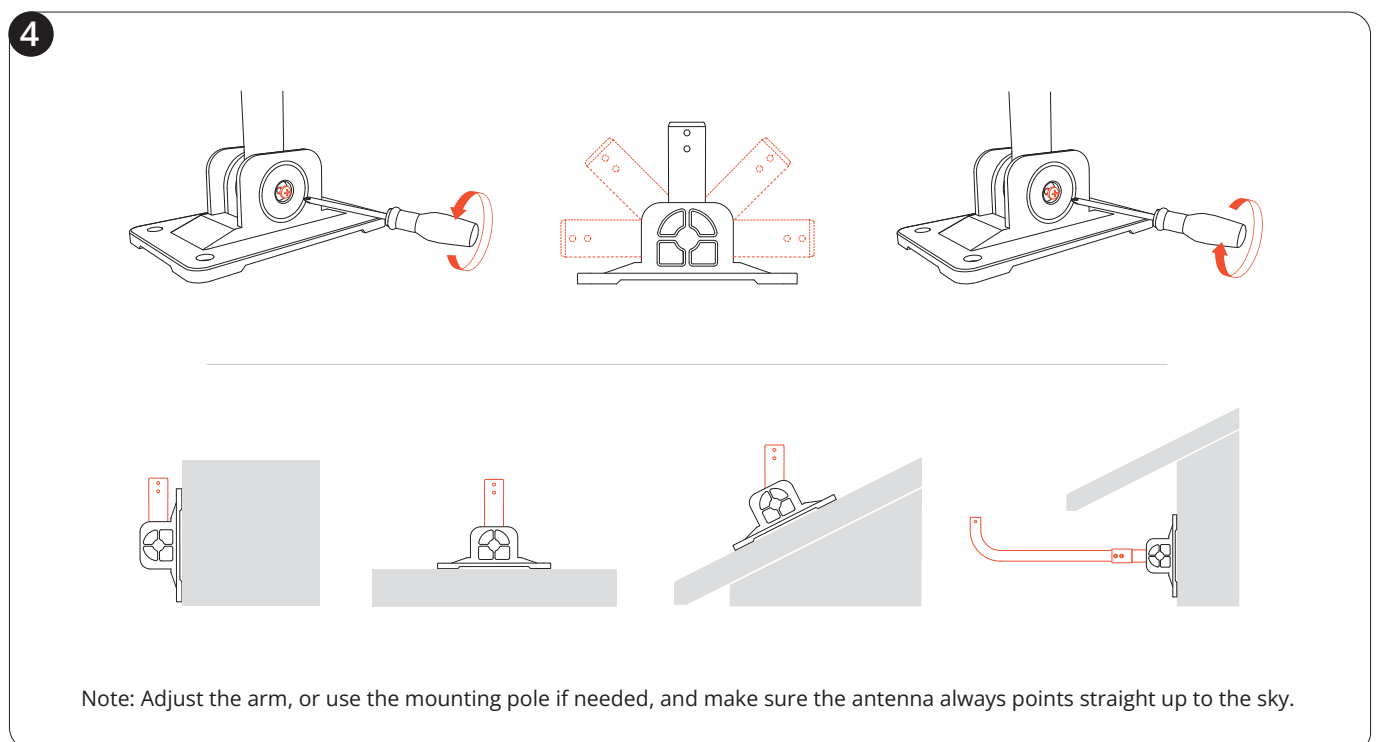
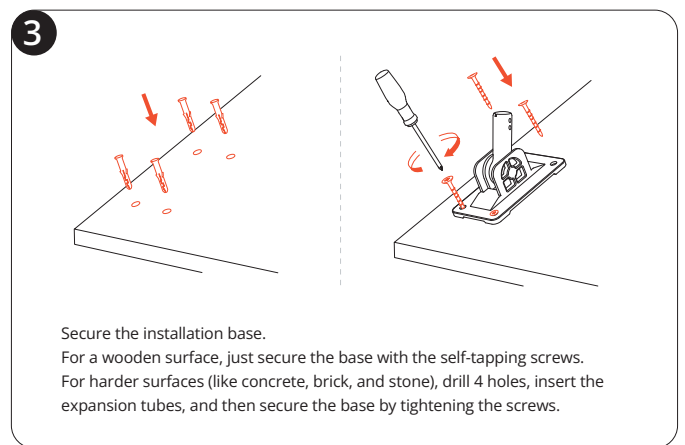
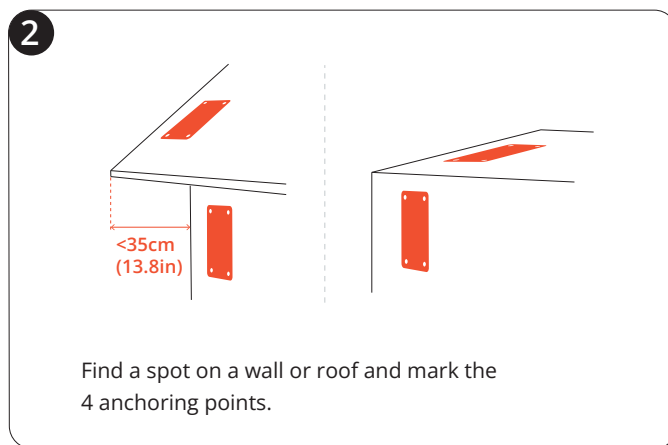
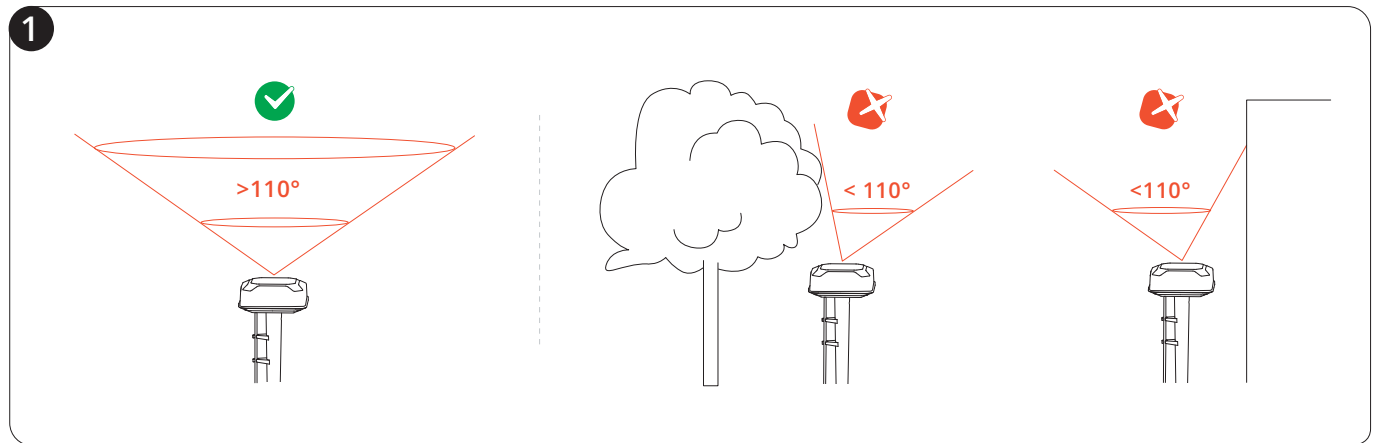
2.4.2 MowGate

MowGate is a smart accessory that is installed in an opening of a fence. When the mower approaches the MowGate, it automatically unlocks itself and locks again after the mower has passed through.



2.4.3 Antenna Mounting Kit

If you are using Local RTK, a proper ground installation will be sufficient. For better signal, you can mount the antenna on a wall or rooftop—just follow these steps:



5

Install the antenna onto the arm.

If you want to install the antenna under the roof, add the mounting pole to the arm to extend it. Install and tighten the screws to affix the arm with the pole.

6

Note: Use no more than 3 antenna extension cables. Contact your local dealer for purchase.

7

Hold the antenna to a place where you want to install. Check if the light on the mower turns solid green or blue (meaning the signal is strong).

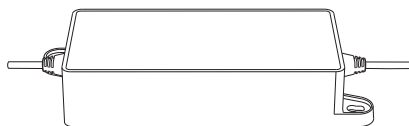
The location of the Primary Antenna affects the positioning accuracy. If you relocate the primary antenna after the map is saved, you must create a new map. Relocating the **Signal Enhancement Antenna** does not require remapping.

2.4.4 Signal Enhancement Antenna

This additional antenna works with your Primary Antenna included in the box with your mower. Use this antenna to extend the GPS signal coverage when needed. See 3.3.3 Assemble and Pair Signal Enhancement Antenna for more details.

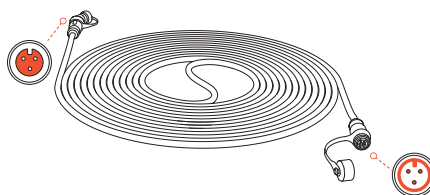
2.4.5 Power Supply Adapter for Antenna

This adapter is suitable when you need to install the antenna far away from the charging station, especially when there is an outdoor power outlet.



2.4.6 Antenna Extension Cable

This is an extra 10-meter antenna extension cable for power supply.



2.4.7 Blade Assembly Plus

This set of 12 blades and 15 bolts are used to replace the worn blades and bolts on your mower.

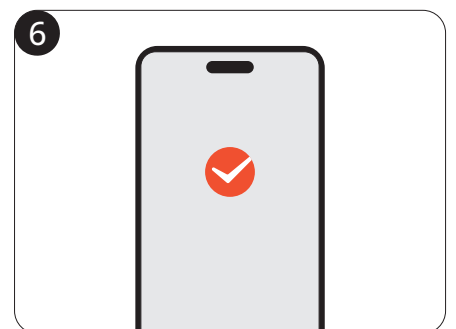
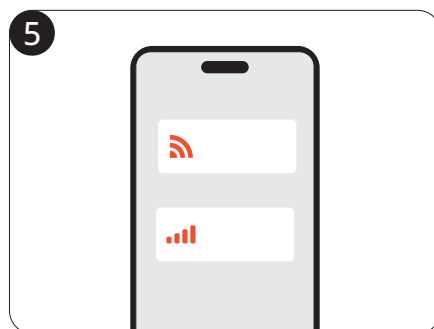
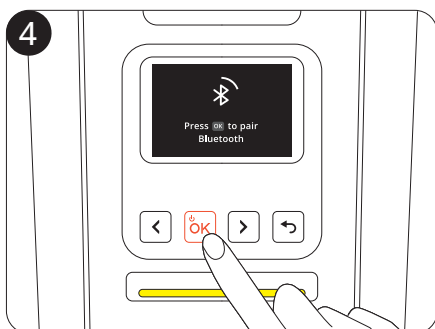
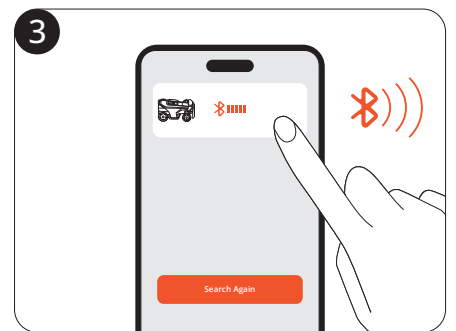
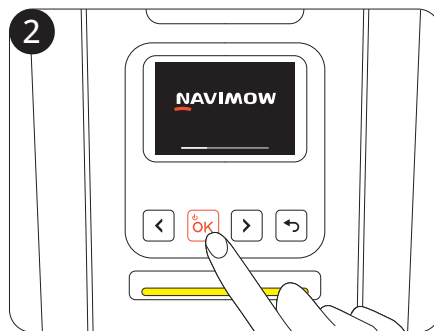
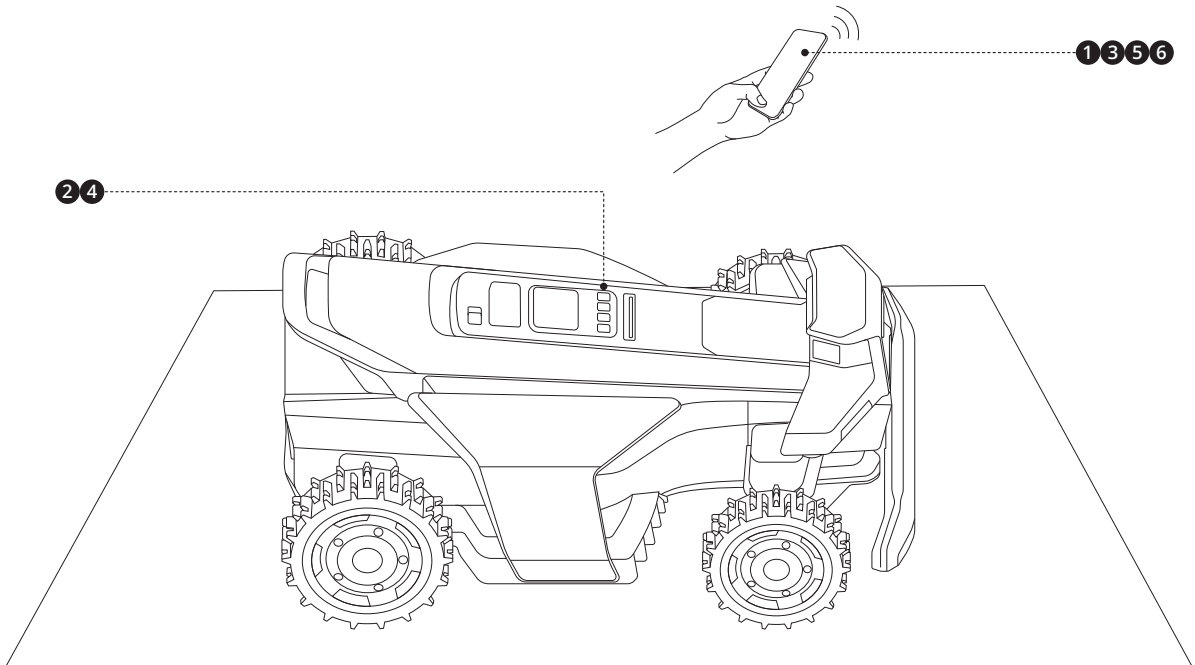


3. Installation

Charge the mower for the first time

A new mower may have a low battery after an extended storage duration. Fully charge the mower before the first use. Place the mower in the charging station. Make sure the charging strip on the mower and the contact strip on the charging station are in good contact.

3.1 Activate the Mower



3.2 Activate Network RTK Service (Recommended)

The Network RTK is a positioning service based on network RTK technology that provides high-accuracy GPS correction data without an antenna installed in your yard.

By receiving real-time correction signals through the mobile network, the mower achieves precise positioning across areas within network coverage.



During initial activation of the mower:

- If the Network RTK service is supported in your area, the service is activated automatically and is free of charge. No additional setup or hardware installation is required.
- If the Network RTK service is not supported in your area, it will not be activated. However, this service may be supported later during usage. Once it is supported, go to **Home > Settings > Advanced features > EFLS NRTK > Positioning mode** and switch from Local RTK to Network RTK.

3.3 Antenna

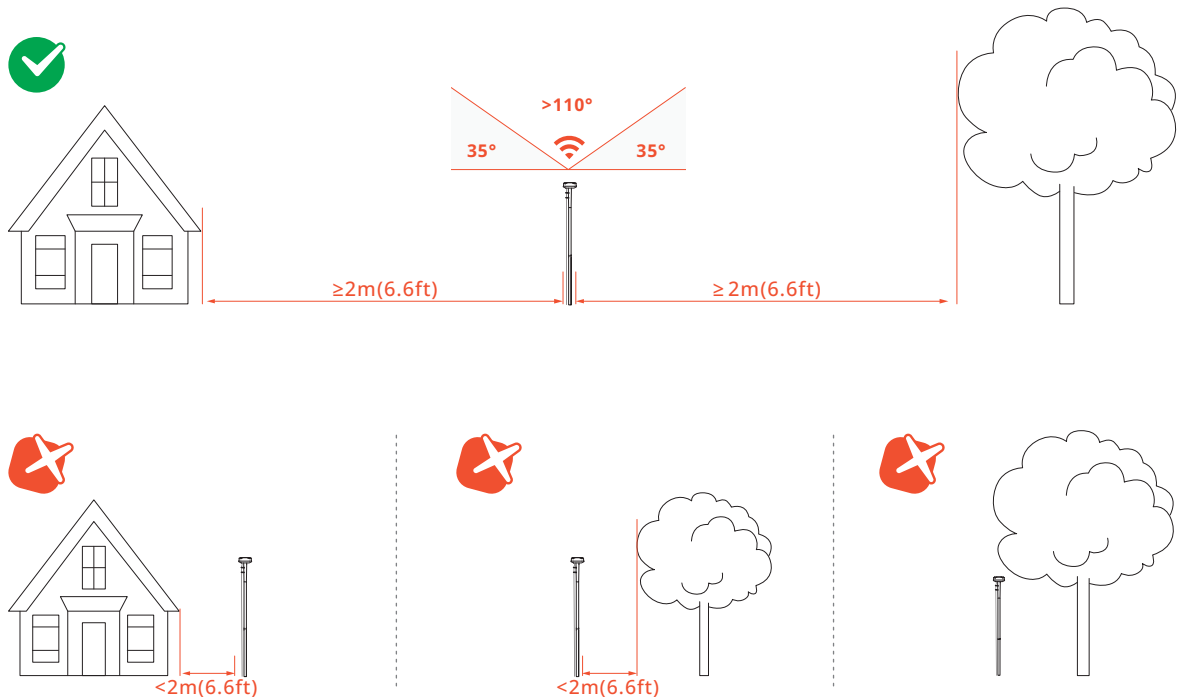
NOTE: Skip this section if you're using the Network RTK service.

If you use the Local RTK positioning mode, you'll need to install the antenna using the tools provided in the mower box. You may install only the Primary Antenna included in the box, or you can additionally install a Signal Enhancement Antenna (sold separately) to expand the GPS signal coverage:

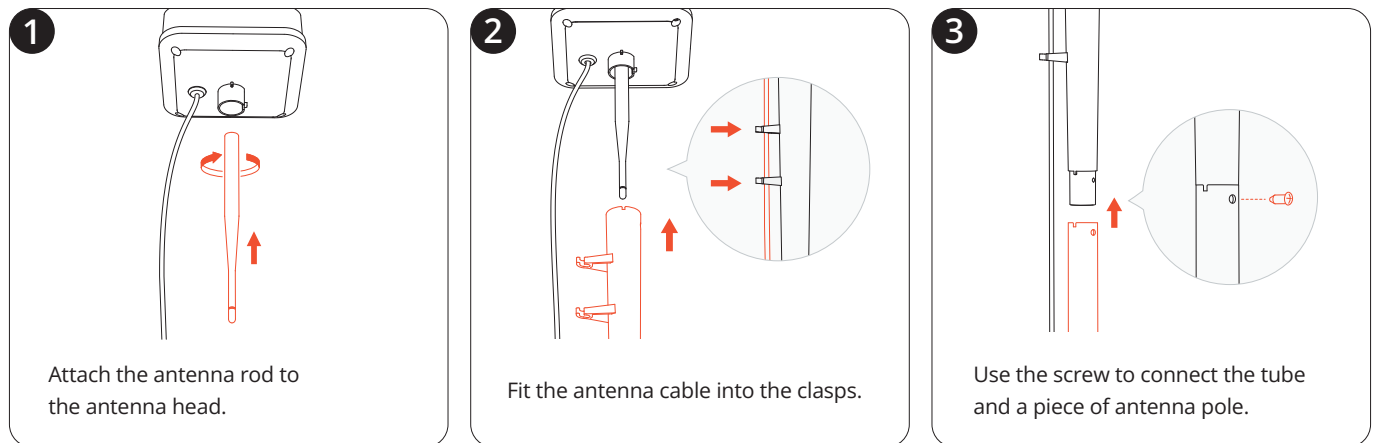
- If you own a house with a front yard and a backyard, it is recommended to install two antennas, one at the front, the other one at the back. When the mower works across the whole area, the positioning can always be stable with each antenna covering the front and the back.
- If your lawn is too large for a single antenna to cover the entire mowing area, it is recommended to install two antennas. This way, with each antenna covering a maximum area of 200-meter radius, dual antennas can work together to enhance the overall GPS signal.

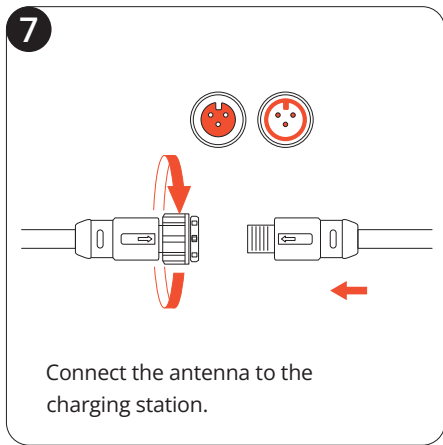
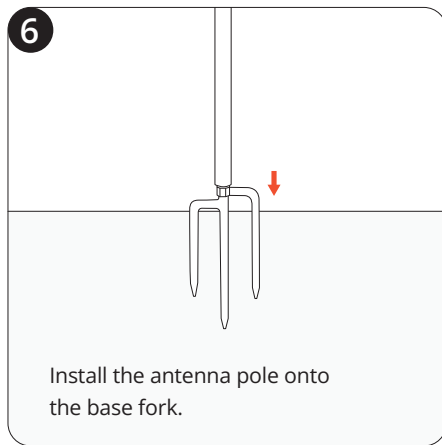
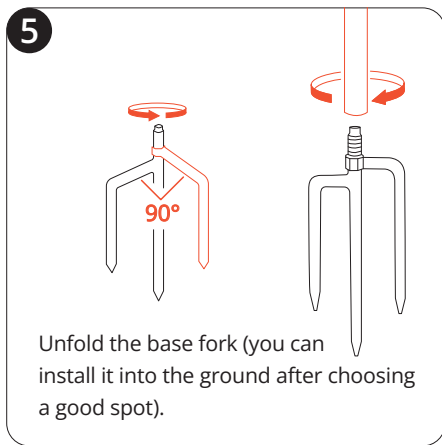
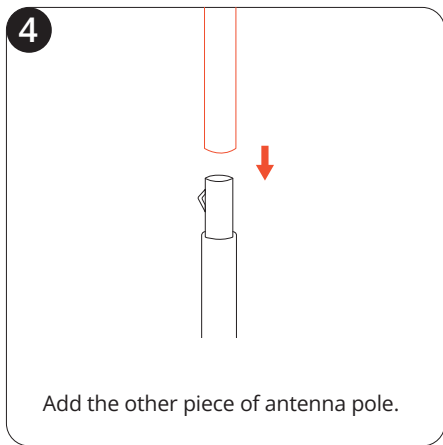
3.3.1 Find location

Choose an open area with no walls blocking the view in any direction. Ensure that the sky directly above the antenna is not obstructed by trees or roofs. If you cannot find a suitable spot on the ground, use the Antenna Mounting Kit to mount the antenna on a wall or roof for more complex yards. Refer to the mounting steps in section 2.4.3.

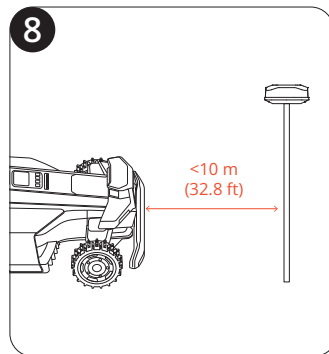
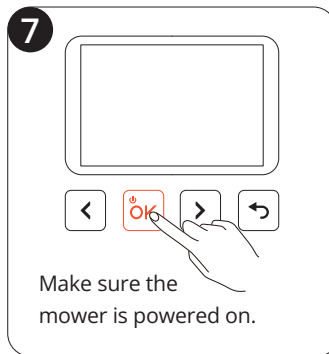
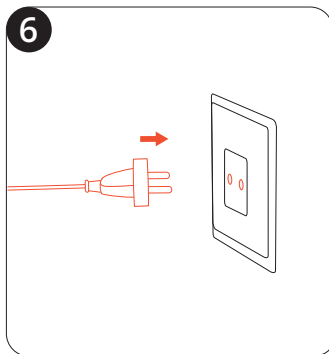
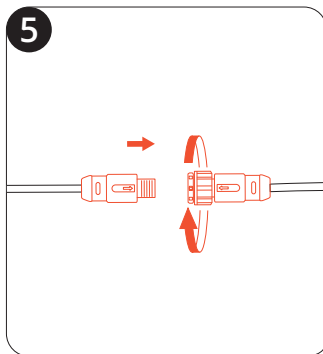
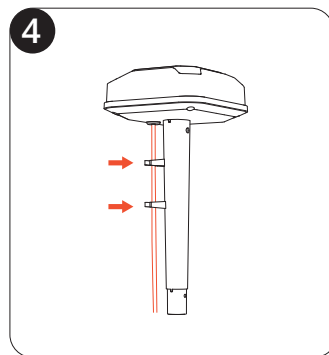
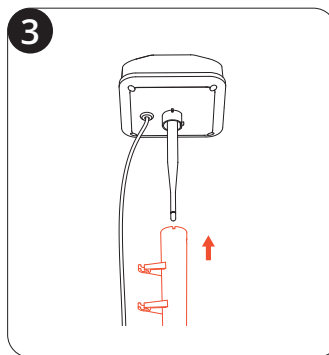
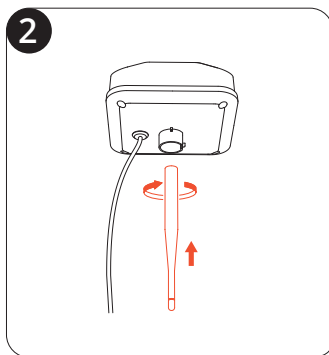
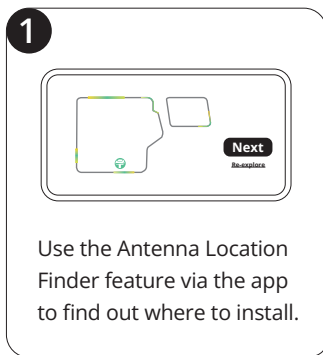


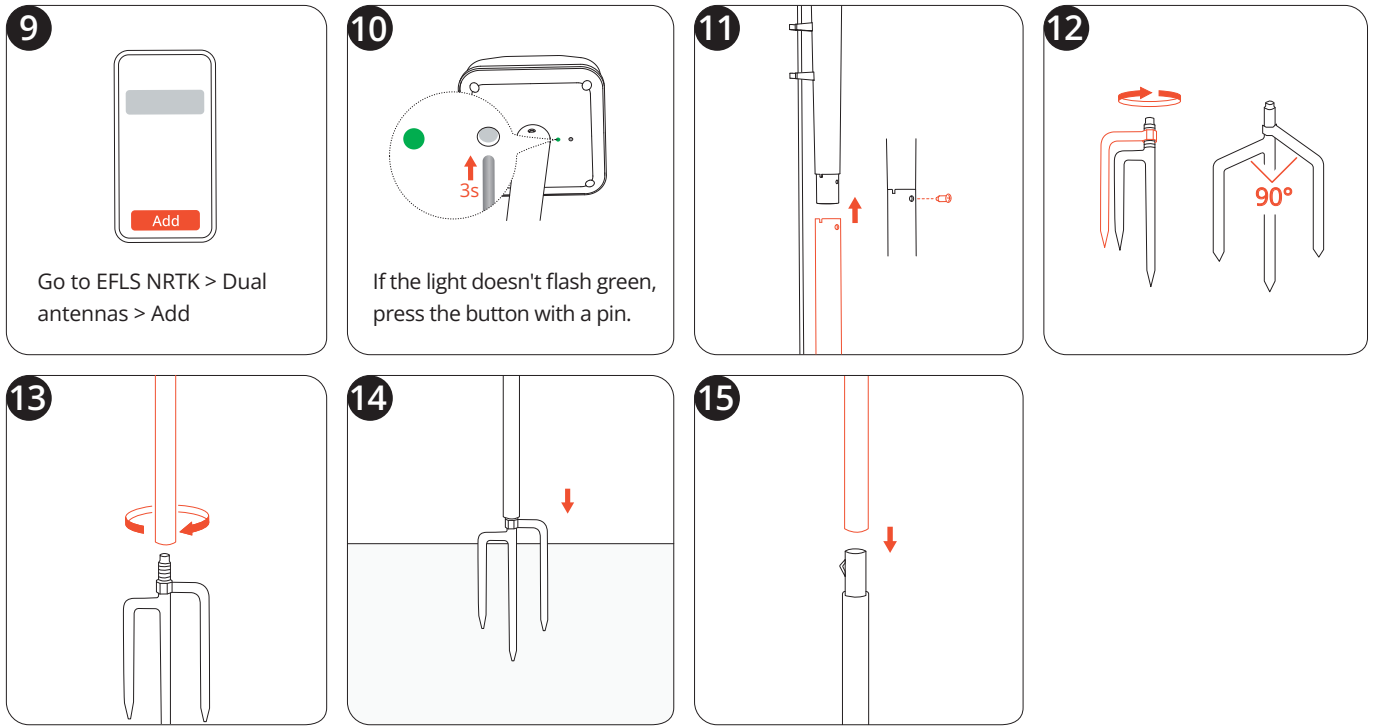
3.3.2 Assemble the Antenna





3.3.3 Assemble and Pair Signal Enhancement Antenna (Optional)





Plug in a separate adaptor for the Signal Enhancement Antenna (12V 1A) to a power outlet. To pair the antenna with your mower, follow the instructions below:

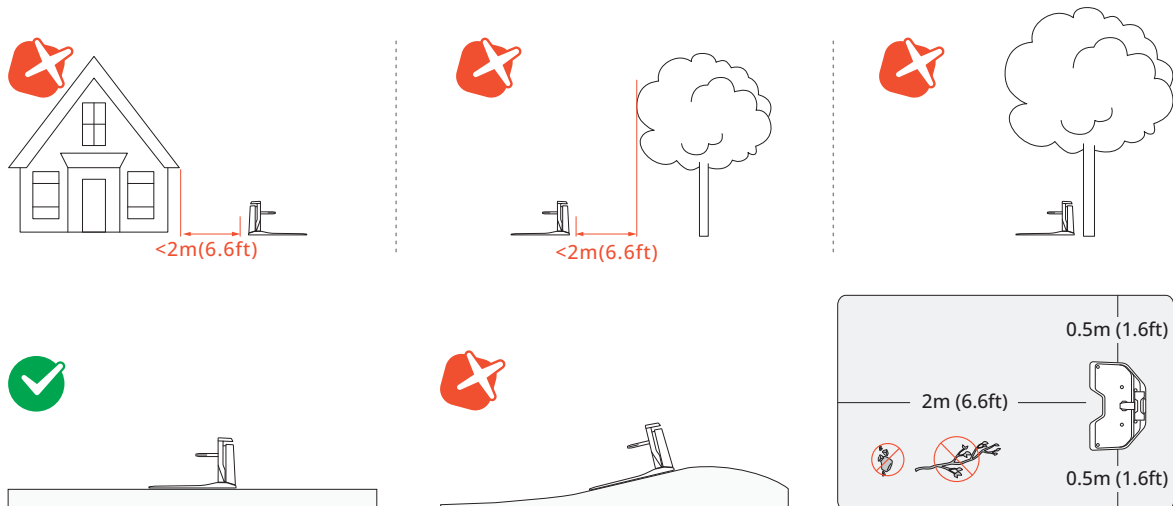
NOTE: Make sure the mower is already powered on and the Signal Enhancement Antenna is plugged in.

1. Place the mower within 10 meters of the antenna.
2. Add the Signal Enhancement Antenna from **Home > Settings > Advanced features > EFLS NRTK > Dual antennas > Add**
3. Follow the guidance via the app, and press the button at bottom of the antenna head. The light on the left side will turn green, meaning the pairing is successful.

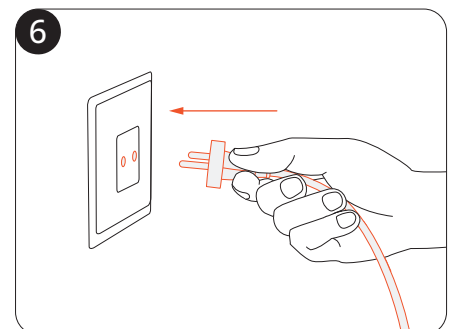
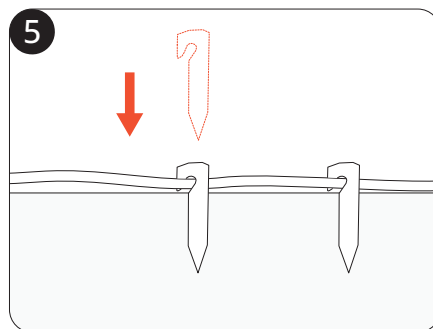
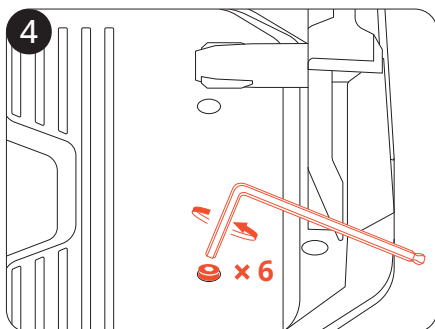
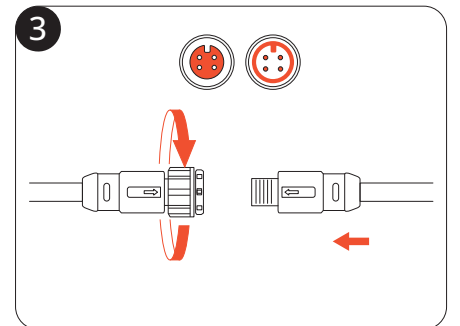
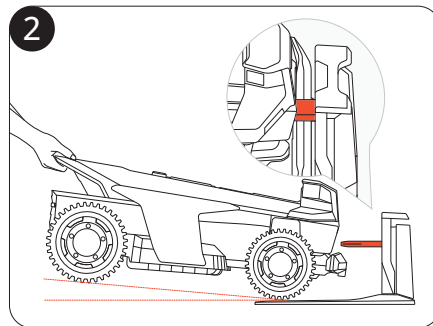
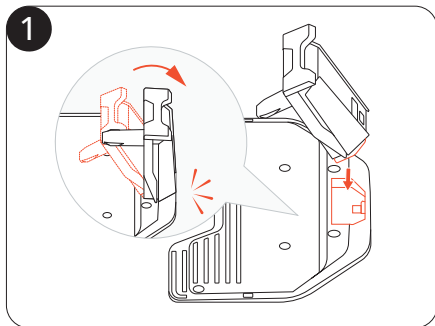
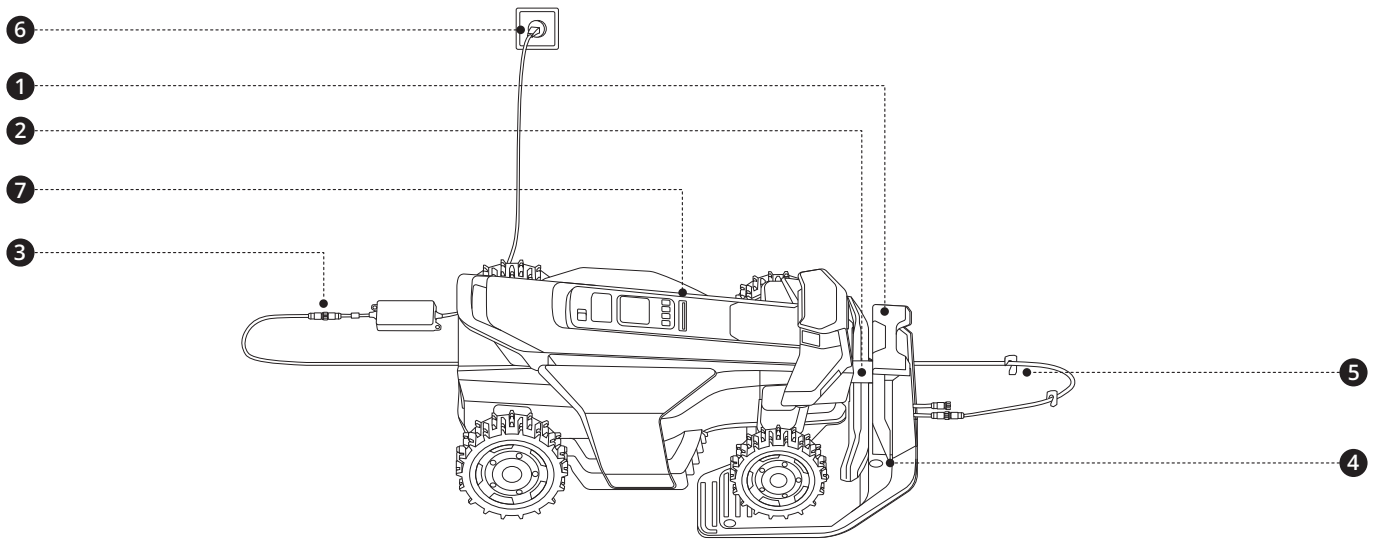
3.4 Charging Station

3.4.1 Find Location

Install the charging station on soft, flat ground, level with the lawn. Make sure there are no obstacles near it or blocking its view of the sky. If you're using the Local RTK positioning mode, the charging station should be placed near the Primary Antenna.



3.4.2 Install the Charging Station



<p>7</p> <p>Wait for 5 minutes until the light turns green (indicating strong signal).</p>	<p>If the red light shows, check if the charging station is properly assembled according to Step 1 to 4.</p>	<p>If the light flashes yellow for over 5 minutes, relocate the charging station (for Network RTK users) or relocate both the antenna and the charging station (for antenna users).</p>
---	--	---

3.5 Update Navimow OS

Go to **Home > Settings > My devices > Software update**. Update the Navimow OS to the latest version. During this process, do not power off the mower or perform other operations.

4. Operation

4.1 Create Map

4.1.1 Preparations

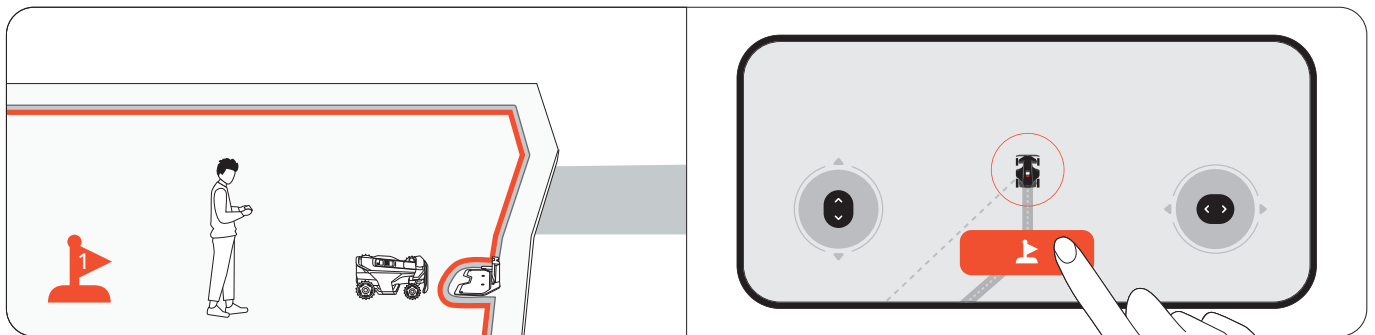
- Remove debris, piles of leaves, toys, wires, stones, and other obstacles from the lawn and its perimeter. Make sure that children and animals are off the lawn.
- Ensure the camera lens is clear and free from any obstructions in front of it.
- Cut weeds and overgrown grass, keeping the grass at a height of 4 inches or lower.
- Ensure the mower is powered on and has connected to your phone via Bluetooth.

NOTE: If the mower is in lock status, enter the PIN code to unlock it.

4.1.2 Auto Mapping

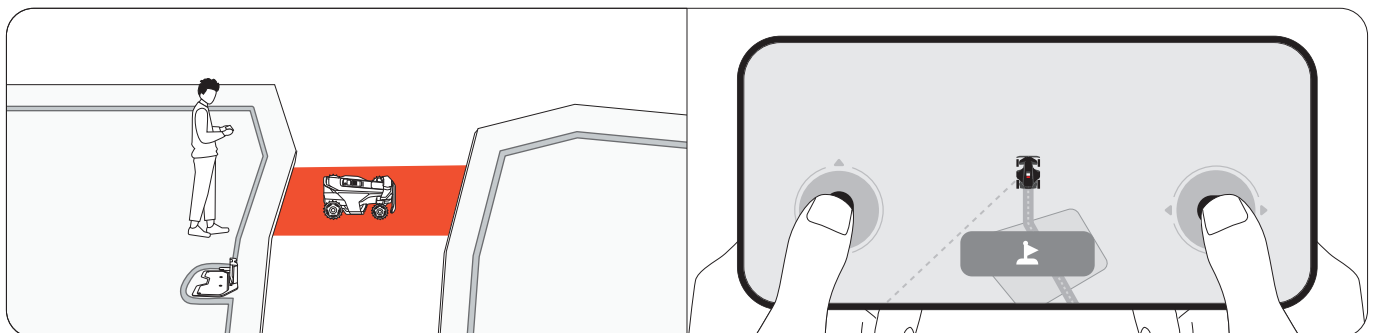
Mark the first mowing zone on your lawn

1. Remotely control your mower to the nearest lawn.
2. Tap **Mark this zone** on the screen when the mower reaches the first lawn. When controlling the mower, stay within 6 m (19.7 ft) of it.



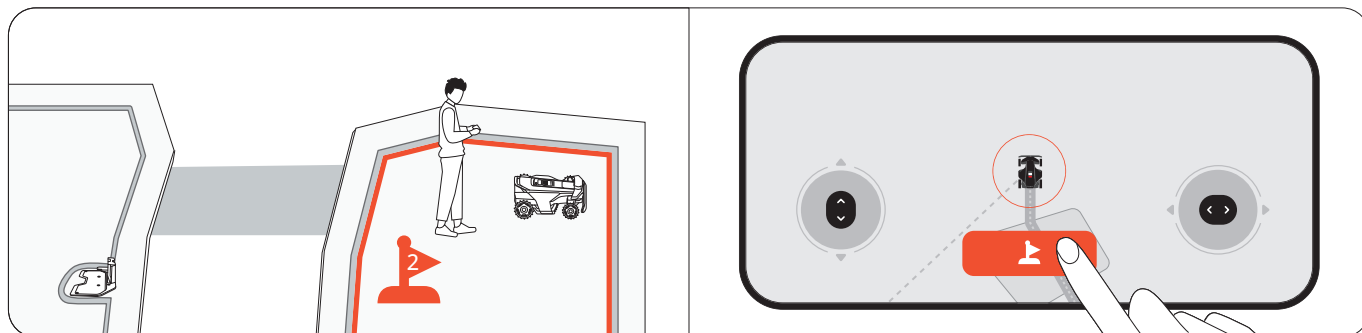
Mark other mowing zones on your lawn (if applicable)

1. Remotely control your mower to the next lawn zone.



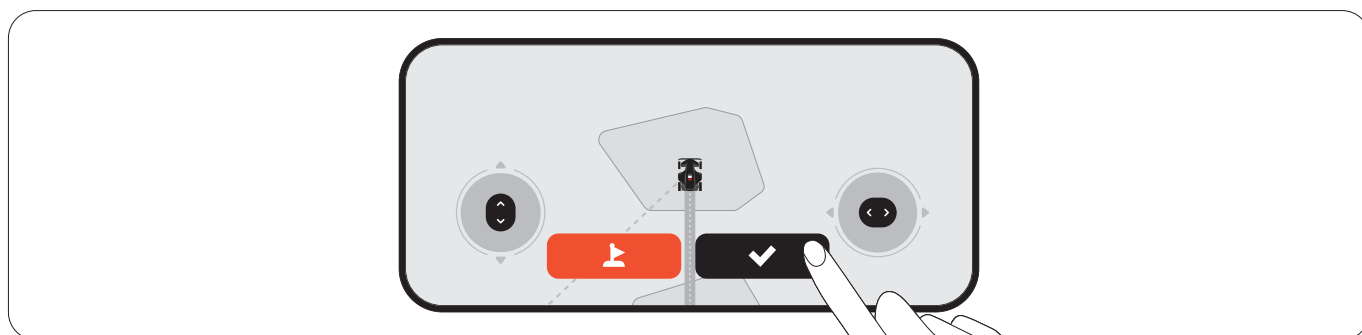
2. Tap **Mark this zone** on the screen when the mower reaches the lawn. By doing this, a channel between zones will be created automatically.

NOTE: Avoid detours or narrow, uneven paths with obstacles when controlling the mower. And mark all zones in sequence to ensure high mapping efficiency.



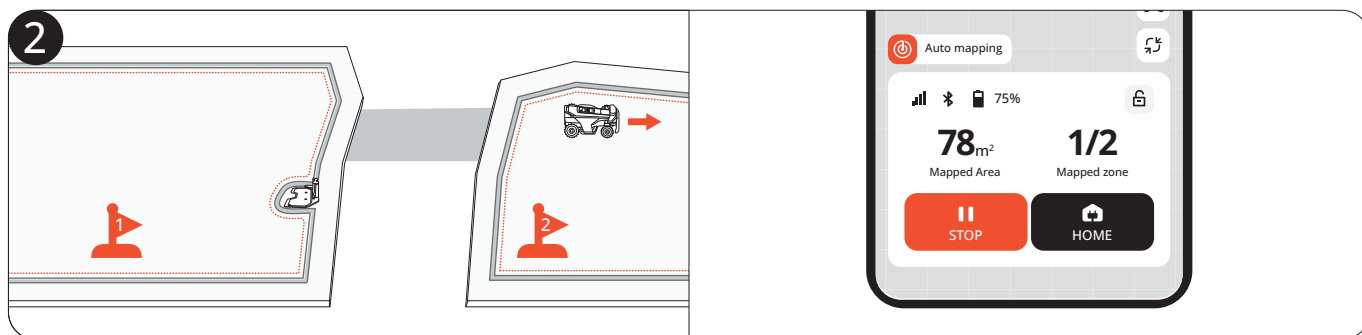
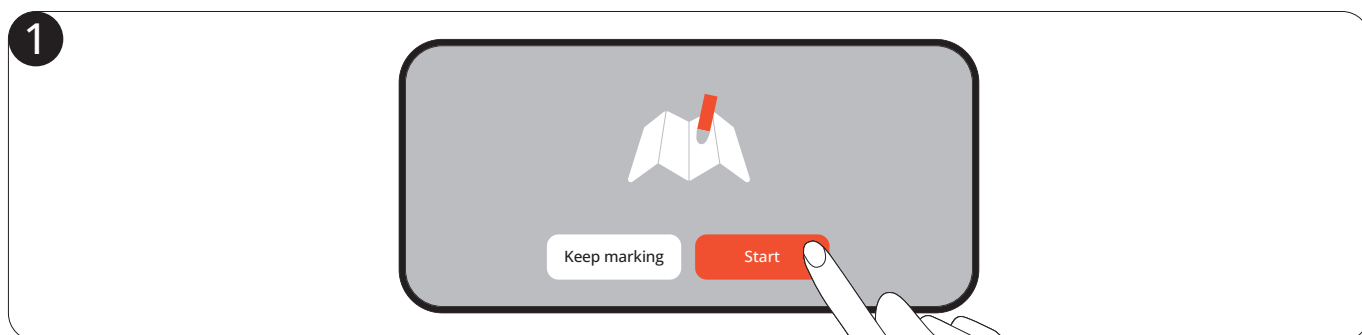
3. Repeat step 1 and 2 to mark more zones.

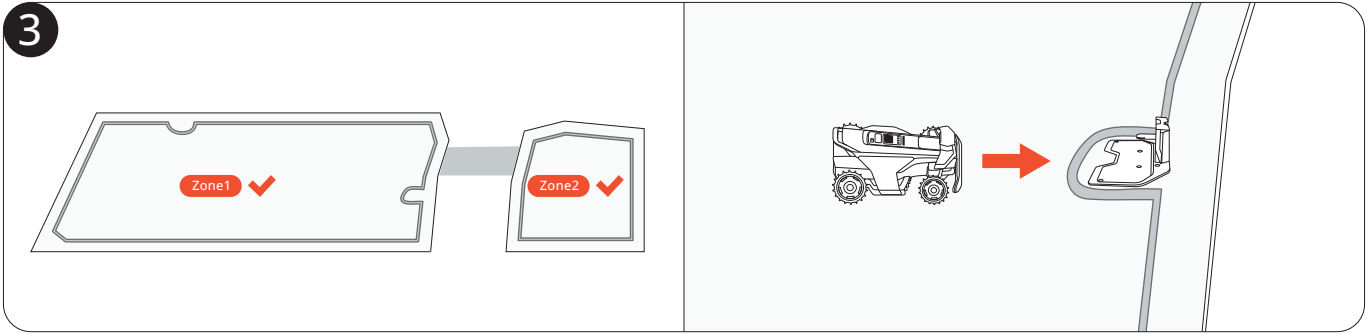
4. Tap **Done** when you finish marking all zones.



Auto mapping

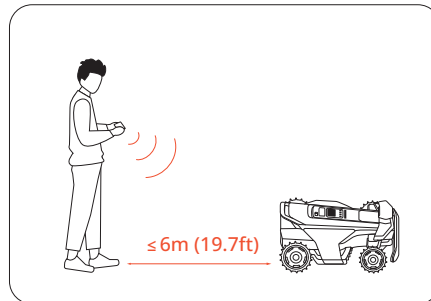
By tapping **Start** on the screen, the mower automatically maps all zones in reverse order from how they were marked. You don't need to keep the phone connected to the mower during this process, so feel free to leave the mower. Once the map is created, you will be notified, and the mower will automatically return to the charging station.





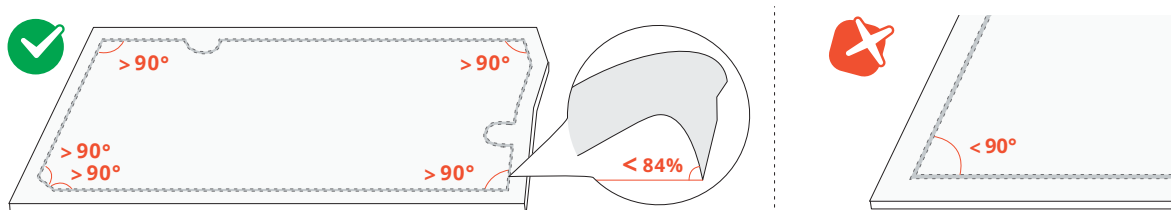
4.1.3 Manual Mapping

If you prefer to create a map under your control, guide the mower around the edge of a lawn to create its boundary.



Find a starting point along the edge of your lawn. Walk behind the mower, stay within 6 m (19.7 ft) from the mower.

NOTE: Follow a straight line with a smooth turning angle of no less than 90° .



4.1.4 Map Elements

Add map elements to your map via **Home > Settings > Map management**.



Icon	Map elements
	Boundary
	Off-limit Island (BioLife Island)
	Channel
	VisionFence-off Zone
	Doodle
	MowGate

Boundary

A boundary is a virtual line that defines the edge of a mowing zone. You can create up to 120 mowing zones. A zone is automatically created after the boundaries of a work area is mapped out. You can continue to create more zones and connect them with channels.

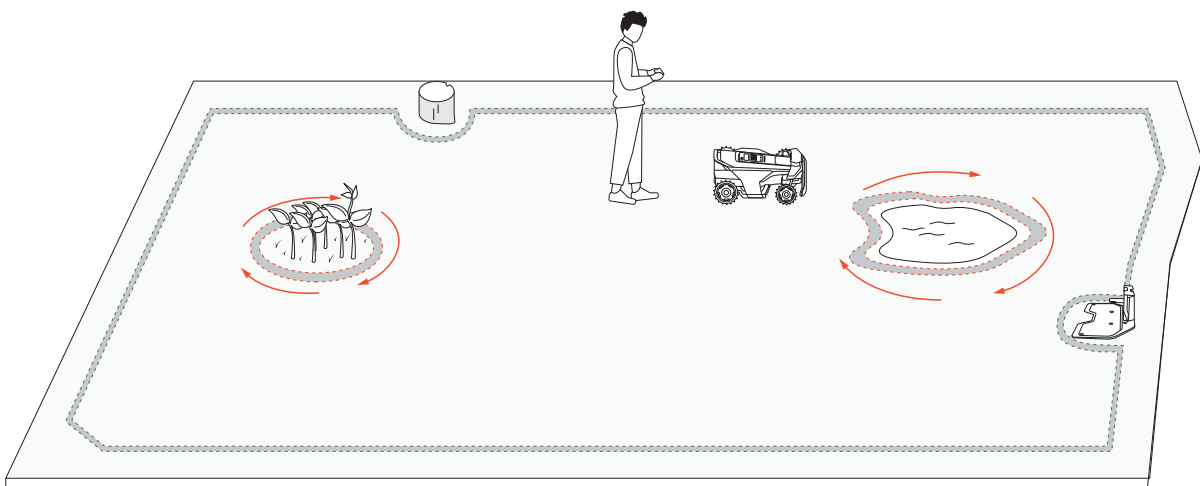
Isolated Zone

If a lawn is not connected to any other lawns, and the mower cannot reach there on its own, this lawn is created as an isolated zone. To mow in an isolated zone, carry the mower there, press the MOW button on the mower. To recharge after mowing, carry the mower back to the charging station.

NOTE: Only one-time mowing tasks are supported in isolated zones.

Off-limit Island (BioLife Island)

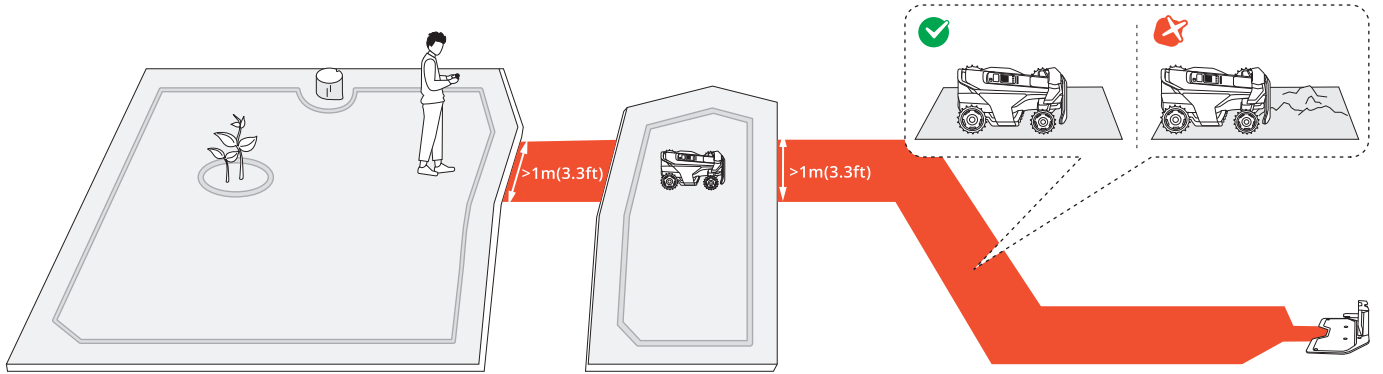
The off-limit island is an area you want the mower to avoid while mowing, such as flowerbeds, ponds, or sprinkler heads. For objects temporarily placed in the mowing zones, like trampolines or grills, you can set their location as an off-limit island and delete it once the objects are cleared from the lawn. Off-limit islands are also called BioLife islands. Create BioLife islands where grass and plants can grow naturally for bees, butterflies, and hedgehogs.



Channel

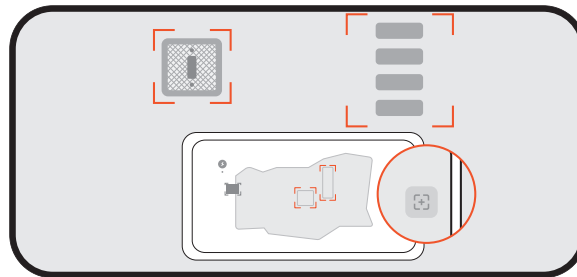
Channels are pathways connecting two separate mowing zones or connecting the edge of a lawn to the charging station.

NOTE: The channel should be wider than 1 m (3.3 ft).



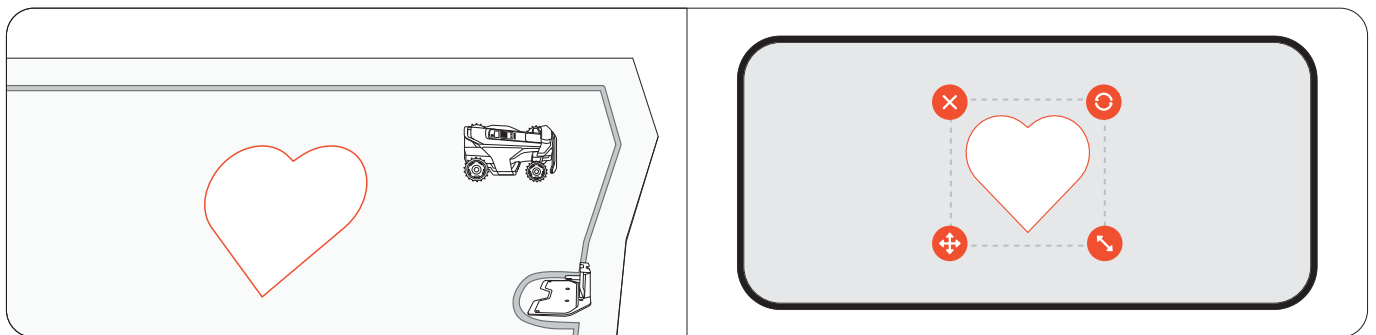
VisionFence-off Zone

A VisionFence-off zone is a place where the mower automatically turns off the camera sensor used for obstacle avoidance. The mower will directly pass through instead of turning away. Set up a VisionFence-off zone for places such as stone roads or utility holes, where you need the mower to pass through for a thorough cut. You can adjust the size of a VisionFence-off zone, move it to another place, or delete it.



Doodle

A doodle is a fun design or pattern that you can create on your lawn using your mower. By choosing a design (a logo or a combination of letters and numbers) and a location, the mower will leave that part of the lawn uncut. Once the rest of the lawn is mowed, the doodle will show. You can decide how many active days the doodle will last. After that, the mower will mow over it completely.

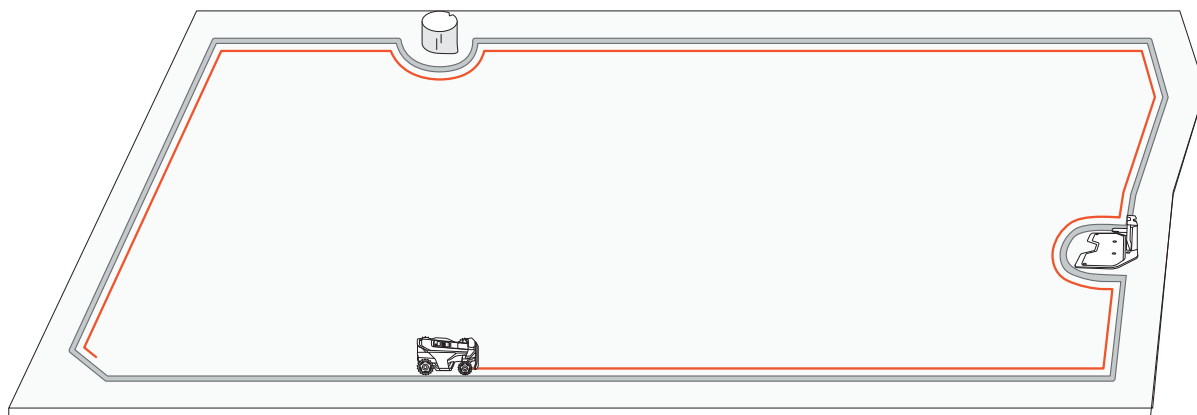


4.2 Mow

4.2.1 How Does Navimow Mow

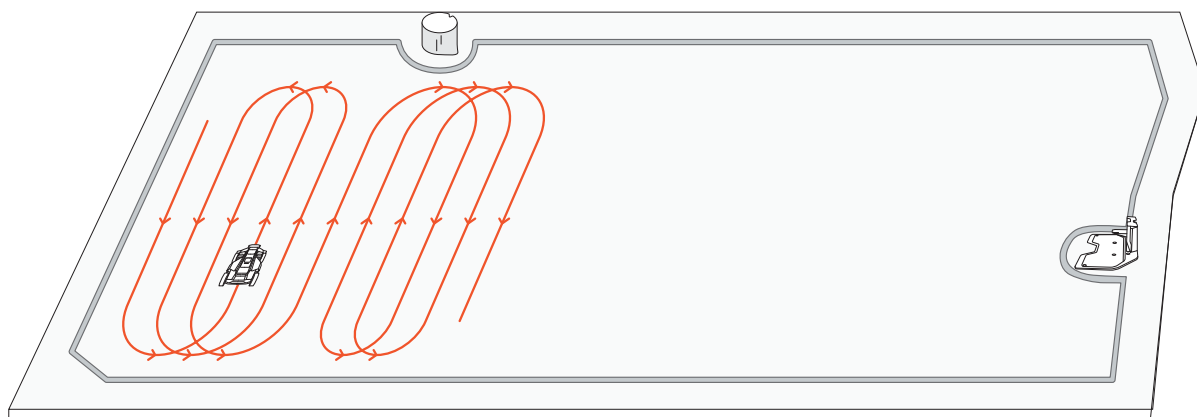
Mowing along the boundary and around off-limit islands

Your mower mows along the boundary and mows around off-limit islands when it starts a mowing task. If the surroundings are complex, to avoid risks, you can disable **Edge Mowing** from **Map management > Edit > Edge mowing** for each zone.



Mowing with systematic patterns

Within the work area, the mower cuts the lawn using a smart, efficient path. When mowing in longer, straight lines with fewer turns, it completes the task faster and more smoothly. To avoid visible patterns, the mower changes direction at the start of each mowing session, ensuring a more uniform lawn appearance over time. When cutting through tall and thick grass, the mower automatically slows down to achieve optimal mowing results.

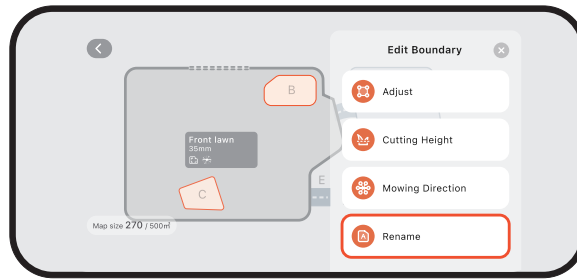


4.2.2 Manage Multiple Zones

You can create multiple zones for your map, each zone with its own unique name and a customized mowing direction, and mowing schedule.

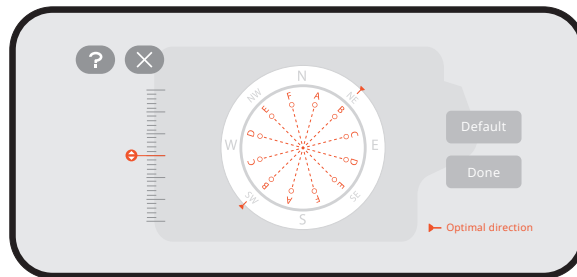
Rename the zones

1. Tap to select a zone.
2. Tap **Edit** and customize settings for the selected zone.
3. Tap the **Rename** icon to set a name for the zone.



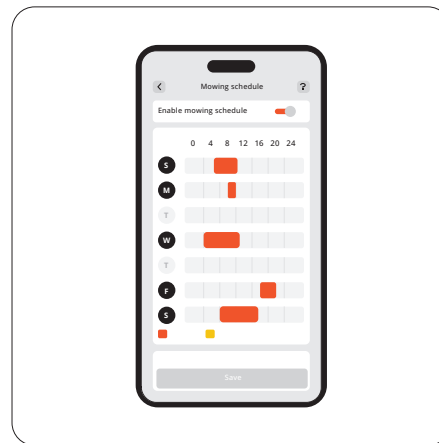
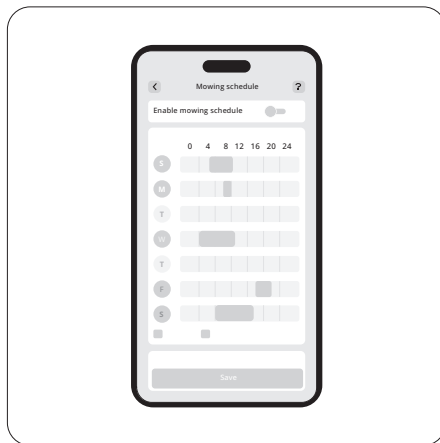
Customize mowing directions

The mower can automatically change its mowing direction according to your choices from **Map management > Edit > Mowing direction**. You can choose one or more directions so that mower changes the mowing direction every time it finishes a round of mowing.



Set mowing schedules

1. Go to **Home > Settings > Mowing schedule**.
2. Toggle on **Enable mowing schedule**.
3. Select a day to set up a schedule.
4. Set the start time and end time of the schedule.
5. Select which zone(s) to apply the schedule.
6. Tap **Confirm** to save the settings.



Enable or disable mowing cycle

When disabled, if the mowing progress in the selected zones reaches 100%, the mower will stop mowing and return to the charging station even if the scheduled end time has not yet arrived.

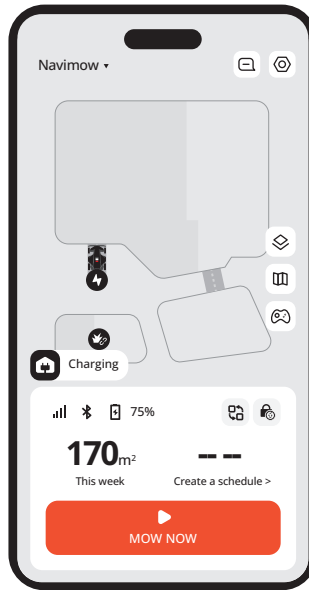
When enabled, if the mowing progress in the selected zones reaches 100%, the mower will start a new round of mowing and keep mowing until the scheduled end time arrives.

Split and merge zones

To split a zone into smaller ones, manually control the mower to cut a zone into two. Go to the **Map management** page, select a zone, and find **Split** in **Edit**. The new zones will follow the same settings as the old one.

To merge several zones into one, go to the **Map management** page, select a zone, find **Merge** in **Edit**, choose an adjacent zone, and merge them. You can only merge two zones at a time.

4.3 Basic Functions



4.3.1 App Home Screen

The home screen is where you can view the status of the mower, check work progress, start or stop mowing, and send the mower home.

Icon	Description
Navimow ▾	Switch to another mower of yours
	View notifications and mower-related settings
	Map view: switch between Standard and Real Scene
	Map management
	Manually control the mower to mow
	Bluetooth connectivity. When disconnected, tap to reconnect
75%	Battery level and charging status
	Switch to specific scenarios: Quickly apply specific settings to your mower for Holiday mode and Sleep mode
	Child lock disabled/enabled (shown by default)
	Safety lock disabled/enabled (shown after you lock the mower via mower buttons)

4.3.2 Navimow Store

You can browse the Navimow Store and purchase official accessories, join Navimow Circle and earn points for discounts.

4.3.3 Mine

From the Mine tab, you can change account settings, and general settings (language, units, and more), contact customer support for help, and find instruction guides.

4.3.4 Other Device Settings

Network Settings

Check the current connection and choose how the mower connects to a network: only through Wi-Fi, only through 4G, or let the system switch between Wi-Fi and 4G based on connection quality.

Customization

Light: Adjust the brightness level of the mower when it works during the night.

Sound: Choose to let the mower speak in human voice or play sound effects.

Mower language: Choose your preferred language for the mower screen and the voice feedback.

Eco mode: To save energy, the display screen will turn off after 10 seconds of Bluetooth disconnection, and the mower's ambient lights will be turned off.

Device information

Rename: Give your mower a unique name.

Basic info: Check for the mower model, its serial number, activation date, expiration date for 4G service, warranty status, and maximum mowing capacity.

Time zone and country: Set your time zone and country/region to ensure mowing schedules can follow local time. If your region observes Daylight Saving Time, enable DST so the mower can adjust the time automatically.

Device management

Device sharing: Share your mower with other registered Navimow app users. Shared users have full access to manage the mower. Sharing can be canceled by either party at any time.

Switch/Add device: Add multiple mowers and switch between them.

Unbind device: After unbinding, you can choose to keep or delete your user data.

4.4 Safety Features

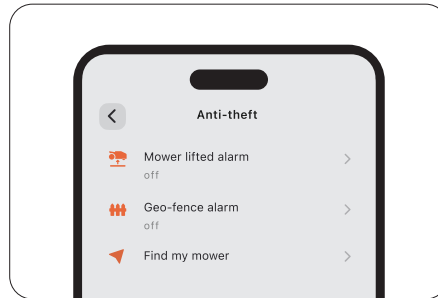
4.4.1 PIN Code

You can reset the PIN code in **Home > Settings > Safety features > Device lock > Reset PIN code**.



4.4.2 Anti-theft

The Anti-theft feature can precisely locate your mower and prevent incidents such as mower theft. You can choose to enable the alarm when the mower is being lifted and when the mower crosses over the virtual boundary.



NOTE:

1. It can only be used under a 4G network. Make sure your 4G service has not expired.
2. If the Anti-theft feature is enabled, you need to enter PIN code on the mower before powering it off.

Mower-lifted alarm

This alarm alerts you if your mower is being lifted off the ground for a few seconds. When enabled, you will hear an alarm and receive a notification on your app. To stop the alarm, enter the PIN code directly on the mower. If you need to carry the mower to a different location, it is recommended to connect your phone via Bluetooth beforehand to prevent false alarms.

Geo-fence alarm

This alarm alerts you if your mower crosses a designated boundary. When enabled, you will hear an alarm and receive a notification on your app. To stop the alarm, enter the PIN code directly on the mower.

When the geo-fence alarm is enabled, you can adjust the geo-fence radius and check Navimow's location on the map in real-time. If the mower runs out of battery and powers off on the way back to the charging station, you can find where it stopped via the app.

4.4.3 Device Lock

The safety lock and child lock are used to ensure the safety of the mower and prevent unintended operations. To enable them, go to **Home > Settings > Safety features > Device lock**.

Safety lock

The safety lock prevents accidental activation of the mower when it needs to be carried or cleaned. Press MOW+HOME for more than 3 seconds to lock the mower. When locked, the mower remains inoperable until you unlocks it with the PIN code.

Child lock

The child lock prevents children or pets from accidentally operating the mower by touching the buttons while it is working or on standby. By enabling it, the buttons on the mower won't respond to pressing or touching. You can still operate your mower via the app.

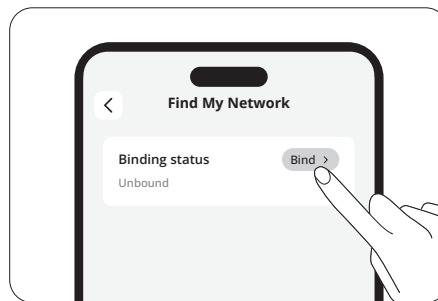
4.5 Instructions for Apple Find My

Only users of Apple devices need to read this Apple Find My app instruction.

4.5.1 Add Navimow to Find My Network

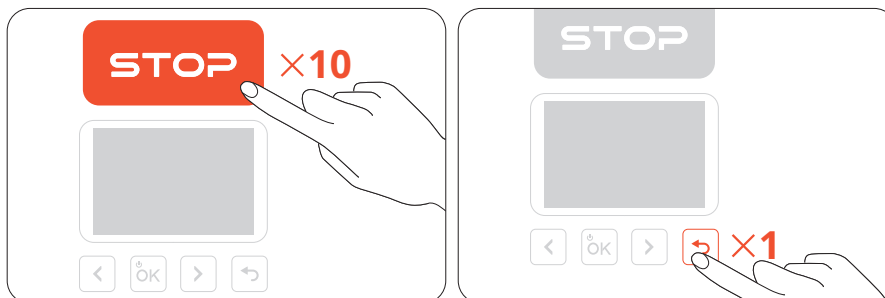
Option A: Add via Navimow App

1. Open the Navimow app on your phone and connect it to your mower.
2. Go to **Settings > Anti-theft > Find My Network > Bind**. It will navigate to the Find My app automatically.
3. In Find My app, tap + and select **Add Other Item**.
4. Choose your mower and follow the on-screen instructions to complete pairing.



Option B: Add via Mower Buttons

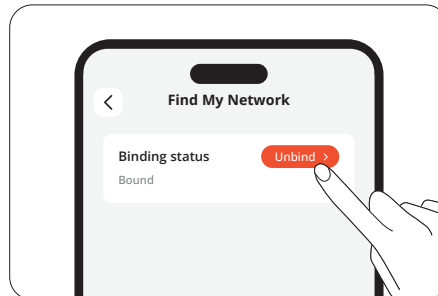
1. Launch the Find My app on your iPhone or iPad.
2. Tap + and then **Add Other Item**.
3. Press the OK button to power on the mower.
4. Press the **STOP** button ten times, then press the **RETURN** button once (you will hear a sound each time you press).
5. Enter the PIN code on the mower's screen (use the same PIN set in the Navimow app).
6. In the Find My app, select your mower and follow the on-screen instructions to complete pairing.



4.5.2 Reset Find My

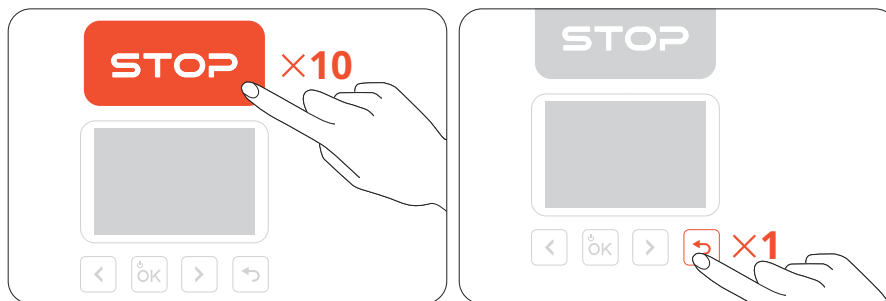
Option A

1. Open the Navimow app on your phone and connect it to your mower.
2. In the Navimow app, disable Find My from **Settings > Anti-theft > Find My Network > Unbind**.
3. Manually remove your mower from the Find My app.



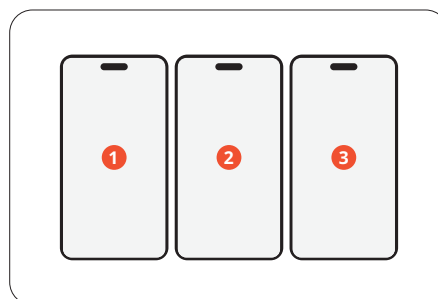
Option B

1. Power on the mower.
2. Press the **STOP** button ten times, then press the **RETURN** button once (you will hear a sound each time you press).
3. Enter the PIN code on the mower's screen (use the same PIN set in the Navimow app).
4. Open the Find My app on your iPhone or iPad. Manually remove the mower from the Find My app. Once removed, you can no longer use Find My to locate that mower.



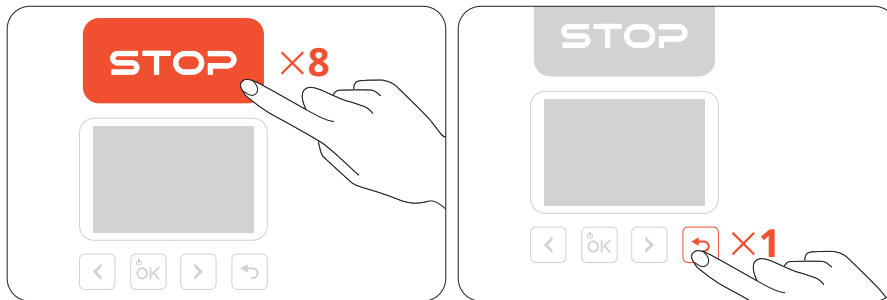
4.5.3 Max. Number of Connected Devices Allowed

A mower can be connected to a maximum of 3 iOS devices (with the same Apple account).



4.5.4 Serial Number Lookup (for specific use only)

iOS users can connect to the mower via the Find My app on Apple devices. To check the mower's SN (Serial Number) in Find My app, press the **STOP** button eight times, and then press the **RETURN** button once. You will hear a sound every time you press those buttons. After that, the SN will display in the Find My app.

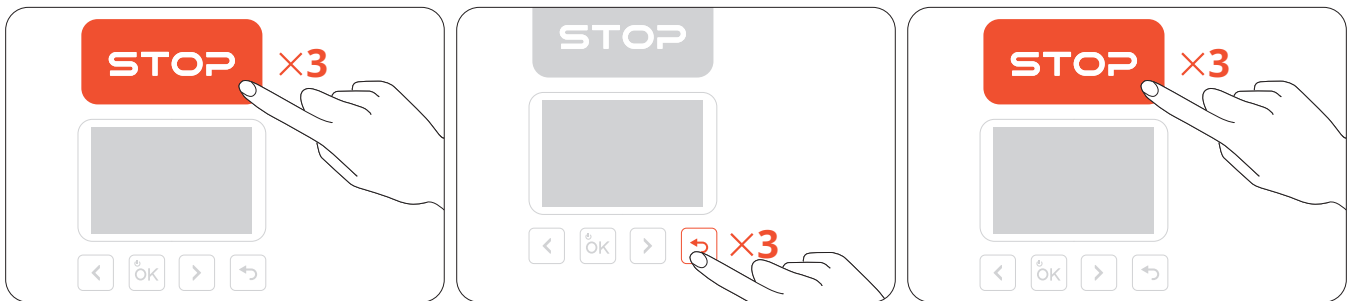


4.5.5 Disable Find My Beacon

You can disable Find My Beacon by pressing the buttons in the following order:

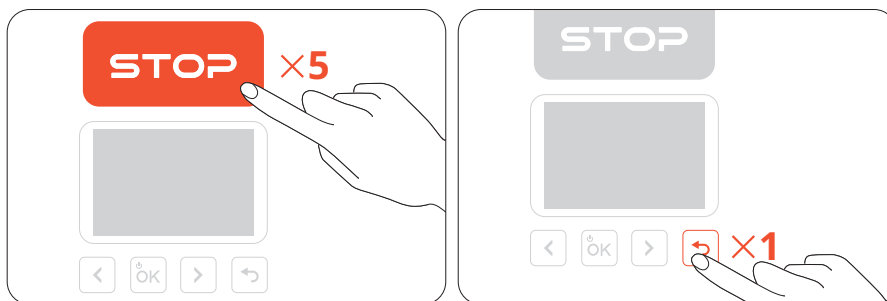
1. Press the **STOP** button three times
2. Press the **RETURN** button three times
3. Press the **STOP** button three times

You will hear a sound every time you press those buttons.



4.5.6 Re-enable Find My Beacon

You can re-enable Find My Beacon by pressing the **STOP** button five times and press the **RETURN** button once. You will hear a sound every time you press those buttons.

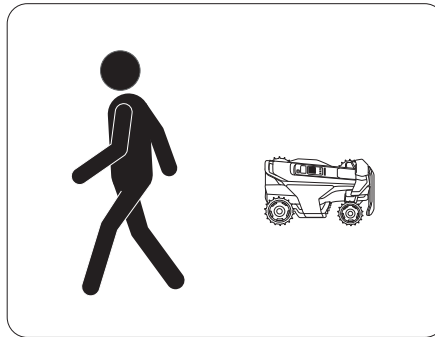


4.5.7 Software Update

When a new version is available, the mower will automatically and silently update when it is docked, connected to the network, and without any upcoming scheduled mowing tasks.

4.5.8 Nearby Status and Separated Status

If the mower has been paired with Find My, when the owner leaves away from the mower or turns off the Bluetooth of their mobile device, the mower will automatically enter Nearby status after a short period of time. After a long period of time, the mower will enter Separated status. When owner gets close to the mower with the mobile device, the Bluetooth of the device will automatically connect with the mower and the mower will enter Connected status. If the mower is in Separated status, non-owner can connect to this mower via Find My app, and use the method mentioned above to check the SN. Owners can still use Find My to find the mower.



4.5.9 Disclaimer and Trademark

Use of the Works with Apple badge means that a product has been designed to work specifically with the technology identified in the badge and has been certified by the product manufacturer to meet Apple Find My network product specifications and requirements. Apple is not responsible for the operation of this device or use of this product or its compliance with safety and regulatory standards.

App Store, Apple Logo, Apple, Apple Find My, Apple Watch, Find My, iPhone, iPad, iPadOS, Mac, macOS and watchOS are trademarks of Apple Inc. IOS is a trademark of Cisco and is used under license.

4.6 Advanced Features

4.6.1 EFLS NRTK

EFLS 3.0 (Exact Fusion Location System 3.0) is an advanced positioning system that integrates multiple sensors to provide precise navigation for robotic lawn mowers. By incorporating left, front, and right camera VSLAM into the existing monocular VSLAM of EFLS 3.0, it expands the Field of View (FOV) to an impressive 360 degrees, ensuring unparalleled reliability. Meanwhile, Network RTK (NRTK) delivers accurate RTK positioning for Navimow X4 with easy service activation, eliminating concerns about physical RTK installation or signal reception.

4.6.2 Weather Adaptive

The mower can react to real-time weather info and adapt its mowing schedules, either stopping the current task or delaying the upcoming tasks. You can set how you want the mower to react under these weather conditions: rain, snow, hot weather, frost, and strong wind.

To ensure a healthy lawn and a longer work life of your mower, go to **Home > Settings > Advanced features > Weather adaptive** to customize settings for each type of weather.

4.6.3 VisionFence

Avoid obstacles in channels

You can enable the Channel Obstacle Avoidance switch and the mower can "see" the surroundings and intelligently passes through by actively avoiding obstacles or other objects that are distinct from the ground. Even when the GPS signal is poor around the channel, the mower can still manage to pass through with visual detection.

Animal friendly

You can enable Animal friendly mode so the mower will stay far away from pets and small animals in its vicinity by adjusting its path in real-time. Go to **Home > Settings > Advanced features > VisionFence > Animal friendly**. This avoids accidental harm to wildlife such as hedgehogs, and reduces the chance of alarming or disturbing nearby pets.

4.6.4 Smart Home

Amazon Alexa / Google Assistant

Use Amazon Alexa or Google Assistant to control your mower by voice. To enable Smart Home, go to **Home > Settings > Advanced features > Smart Home**.

4.6.5 Traction Control System (TCS)

The Traction Control System feature improves the mower's stability and mobility, so the mower can tackle wet, muddy, and other complex terrains with ease. This also reduces chances of mower getting stuck and avoids damages to your lawn. Enable it from **Home > Settings > Advanced features > Traction Control System** for a smoother mowing experience.

5. Maintenance

Keep the mower clean and the blades in good condition for better performance and longer service life. Inspect and maintain it regularly, and replace any damaged or worn parts. Check the used hours and remaining working hours of mower parts from **Home > Settings > Maintenance & Tools > Parts maintenance**.

5.1 Cleaning

WARNING

- Before cleaning or turning the mower upside down, power off the mower.
- DO NOT perform maintenance in sandals or barefoot. Always wear long trousers and work shoes.

Mower's exterior

Use a soft brush or cloth to clean the mower's exterior. Do NOT use alcohol, gasoline, acetone, or other corrosive or volatile solvents, as they may damage the surface and internal structure of the your mower.

Camera lens

If the camera lens is stained, use a piece of clean cloth and gently wipe off dirt or stains.

Charging port

Check the charging port for dirt or grass. Clean it in time to avoid charging issues.

Chassis and cutting discs

Remove the cutting discs properly before cleaning, or use the Cleaning Mode from **Home > Settings > Maintenance & Tools > Parts maintenance > Chassis and other parts** to let the mower adjust itself (powering off and lowering the cutting disc) for cleaning. Clean the cutting discs using a soft brush, cloth, or water hose.

NOTE: DO NOT use a high-pressure washer. High-pressure water can leak into the sealings and damage electronic and mechanical parts. Also, make sure that the cutting disc rotates freely and the blades can spin freely.

Front and rear wheels

When the wheels get stuck due to grass clippings, mud, or other debris, clean them thoroughly. If it's just dirt or mud buildup, simply rinse them off with clean water.

Charging station

Remove debris and mud, and make sure the contact strip, the power cable and its extension cable are not damaged.

5.2 Replace Blades

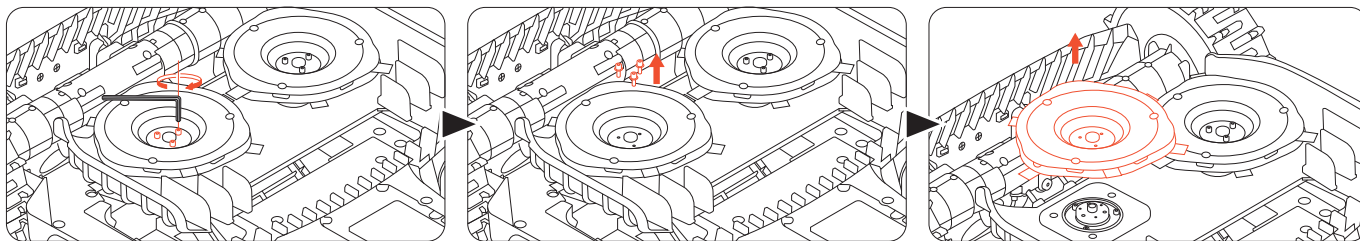
For regular use, replace all blades and their screws every 1–2 months to ensure safe and effective cutting.

NOTES:

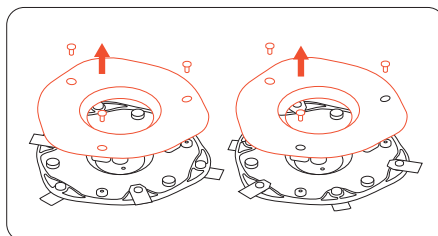
1. DO NOT reuse old screws. Always use original Navimow blades and the correct screws (Blade model: X3A06E).
2. DO NOT use an electrical screwdriver to loosen or install the cutting disc.
3. Before replacing the blades, ensure the mower is powered off, and wear protective gloves to prevent injury from sharp edges.

To replace the blades:

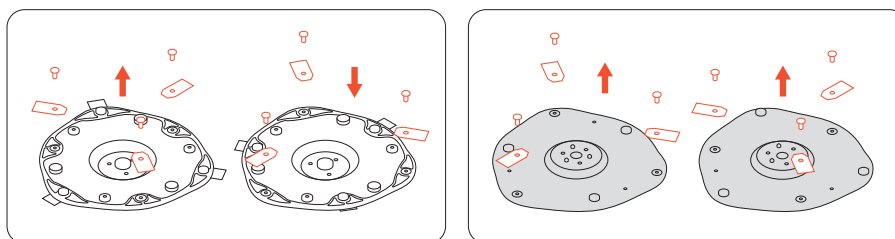
1. Power off the mower, wear protective gloves, and place it upside-down on a flat, clean, and soft surface.
2. Use an Allen wrench to remove the cutting discs from the mower.



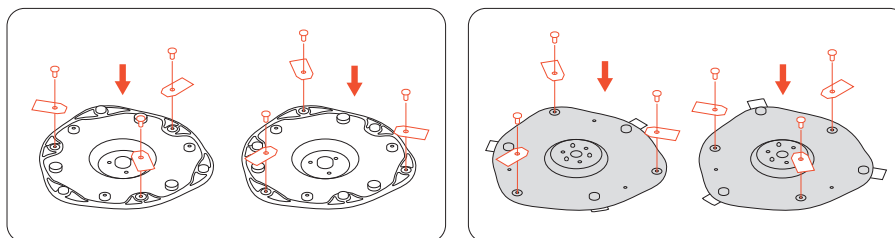
3. Remove the screws from the disc cover with a cross-tip screwdriver, then take off the cover.



4. Use the screwdriver to remove all blades from both sides of the cutting disc base.

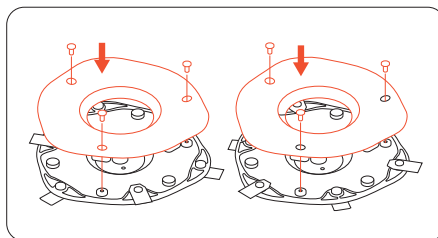


5. Attach the new blades to the base, securing them with screws on both sides. **Strictly follow the illustration below to install the blades in the correct position.**

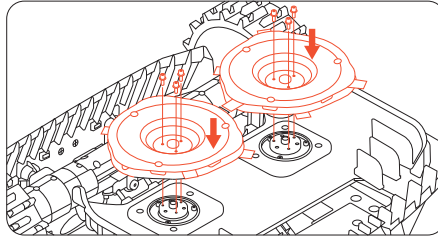


NOTE: After fastening the screws, the blades will still seem loose. This is normal as the blades need to spin during mowing.

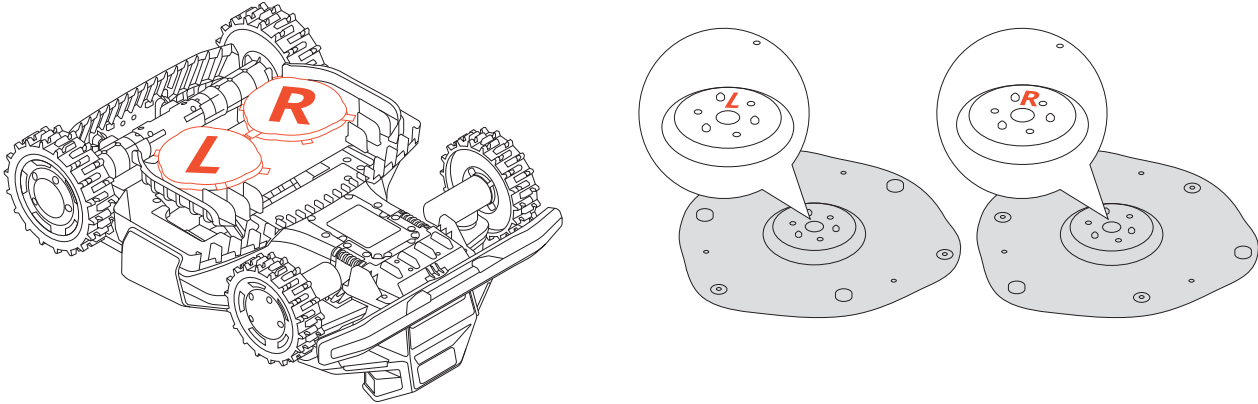
6. Reattach the cover to the base.



7. Use the Allen wrench to fasten the cutting disc back onto the mower.

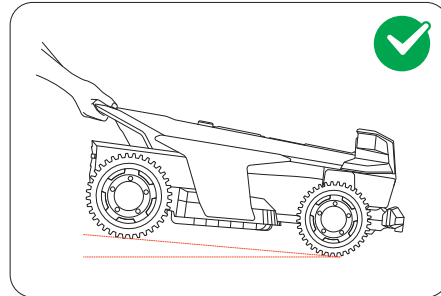
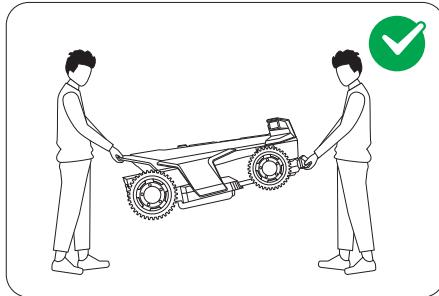


NOTE: The left disc is marked with 'L', and the right disc is marked with 'R'. Ensure the cutting discs are installed in the correct positions as shown in the picture below. Once the discs are properly installed on the mower, they will be in the correct position.



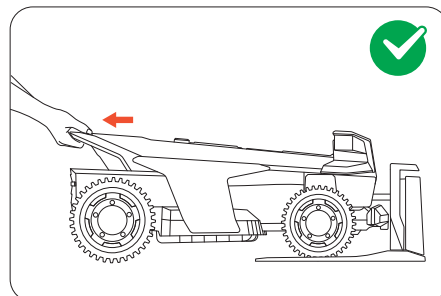
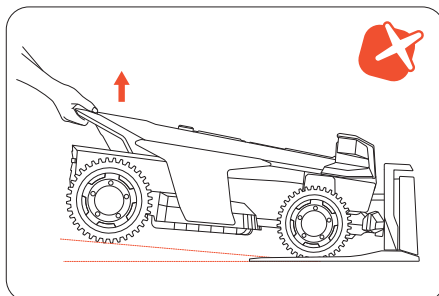
5.3 Transportation

For long-distance shipping or transportation, use the original packaging to protect your mower. Always power off the mower before transporting it. Handle it gently and avoid impacts or heavy pressure. Do NOT carry the mower while it is working.



Push or pull the mower by the handle, with the cutting disc facing away from your body.

CAUTION: DO NOT lift the mower by the handle when it's parked in the charging station. Always pull the mower off the station before lifting.



5.4 Battery

Battery Temperature Limits

DO NOT use or store the battery at extreme temperatures: above 50°C (122°F) or below -20°C (-4°F).

Battery temperature protection activates when it is below 0°C (32°F) or above 53°C (127°F). The mower will not start mowing. Charging will resume only when the battery temperature returns to the safe range:

3°C (37°F) or higher, or 49°C (120°F) or lower.

Battery Life

Battery damage caused by overdischarge is not covered by the Limited Warranty.

Battery life depends on usage frequency and total operating hours. If the operating time per full charge becomes significantly shorter than usual or mowing performance declines, contact the after-sales service for battery replacement.

Safety Usage for Power Supply

Connect the mower and/or its peripherals only to a power supply circuit protected by a Residual Current Device (RCD) with a rated tripping current of 30 mA or less.

Always disconnect the power supply and power off the mower before:

- Clearing blockages around the power cable
- Cleaning or performing any maintenance on the mower
- Checking for damage after the mower hits an obstacle

Use the power supply only with the original Navimow-approved battery. Using non-original batteries may result in fire, electric shock, or personal injury. Do not charge the mower if the battery is leaking.

Regular Inspection

Regularly inspect the power cable, plug, enclosure, extension cable, and all related components. If any damage, wear, or signs of aging are found, stop using the power supply immediately.

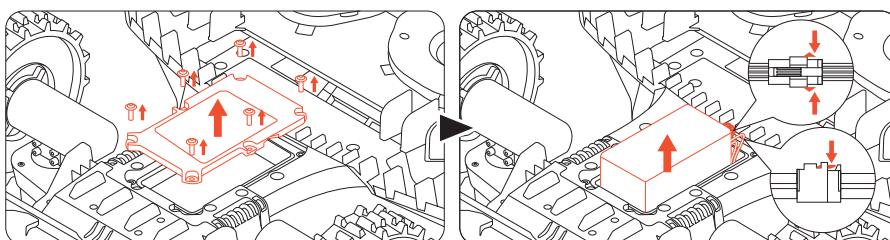
⚠ WARNING

- **DO NOT** operate the mower with a damaged power cable. If the cable is damaged, have it replaced by the manufacturer, an authorized service agent, or qualified personnel.
- Replace any defective extension cable only with Navimow-approved cables.
- Keep all extension cables away from moving or hazardous parts to prevent damage and potential exposure to live conductors.
- **DO NOT** connect or touch damaged cords or extension cables before unplugging them. Damaged parts may expose electrical components and cause electric shock.

Replace Battery

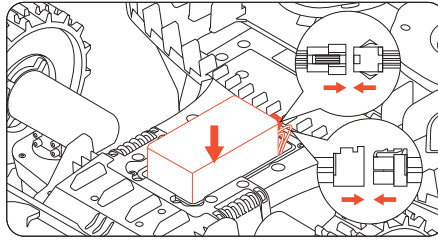
NOTE:

1. Use the battery model which matches the original battery capacity.
2. **CAUTION: Power off the mower first.**
1. To remove the old battery, loosen the screws and unplug the cords.

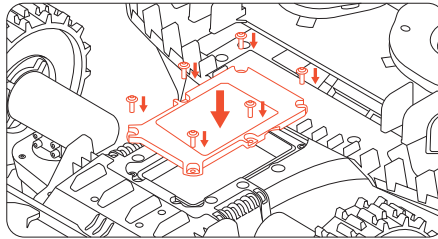


2. To install the new battery, connect the cords and put the battery inside its slot.

NOTE: Make sure the cords are tightly connected.



3. Install all the screws back and secure them tightly.



5.5 Storage and Restorage

For optimal performance and service life, store your mower during the winter or during extended periods of non-use.

5.5.1 Storage Conditions

- Store the mower indoors in a cool, dry place. Avoid direct sunlight and extreme temperatures.
- Keep the mower, charging station, and power supply away from heat sources (such as stoves or radiators) and chemicals or corrosive substances.
- Protect the power supply from moisture and place it in a well-ventilated area.

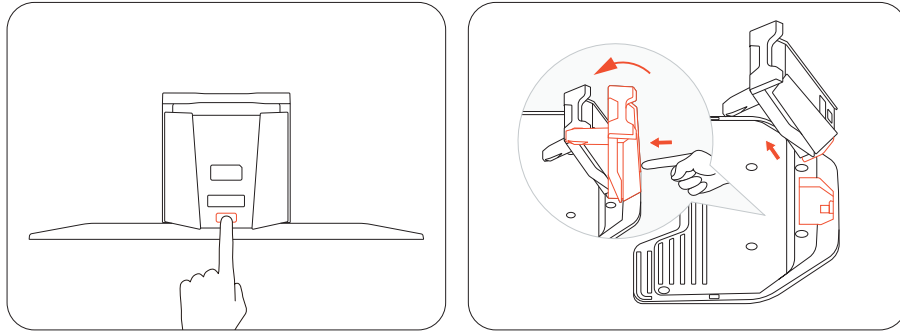
5.5.2 Winter Storage

Put the mower in storage

1. Pull the mower off the charging station. Make sure the mower has at least 85% battery left.
2. Power off the mower.
3. Disconnect the power supply and the antenna.
4. Put your protective gloves on and remove the blades with caution. Refer to 5.2 Replace Blades.
5. Turn the mower upside down and clean it with a brush.
6. Use a water hose to wash away the dirt and leave the mower to get dry. Refer to 5.1 Cleaning.

Put the charging station and Navimow Garage X in storage

1. Uninstall Navimow Garage X from the charging station and put the garage away.
2. Press the button on the charging tower to remove it from the charging station, and put the charging tower in storage.
3. Leave the base plate at its original location.



Put the antenna in storage (Local RTK users only)

If the antenna is installed on a wall or roof, use a plastic bag or a cover to cover up the antenna. If the antenna is installed from the ground, follow the steps below:

1. Remove the antenna and the pole. Keep the base fork at its place.
2. Put away the cable for the antenna.

5.5.3 Spring Restorage

To restore your Navimow and all its installations in spring, follow the steps below:

1. Remove all coverings from the mower.
2. Ensure that the charging station is clean and free from dirt and install the charging tower on the base plate. If the charging station is placed differently from the previous year, update its location from **Home > Settings > Maintenance & Tools > Relocate charging station**.
3. Reconnect the cables that were disconnected during the winter. Check the cables for any damage or breaks and repair as needed.

NOTE: Check the blades for sharpness and replace them if necessary. Check and clean the camera lens to ensure proper functionality.

4. Power on the mower and test if the mower is bound to the app and works properly.

5.6 Recycling and End-of-Life Disposal

DO NOT treat this product as domestic waste. For recycling information, contact your domestic waste service, your municipality, or point of sale.

⚠ WARNING

DO NOT dispose of this product in a landfill, by incineration, or by mixing with household trash. Danger or serious injury can occur because of the electrical components.

6. Warranty and Compliance

6.1 Limited Warranty

Limited Warranty and Arbitration Agreement

NOTICE: PLEASE READ THIS LIMITED WARRANTY AND ARBITRATION AGREEMENT AND KEEP THIS AGREEMENT FOR FUTURE REFERENCE. THIS AGREEMENT CONTAINS LIMITED WARRANTY CLAUSES AND ARBITRATION CLAUSES WITH RESPECT TO NAVIMOW("PRODUCT") AND ANY AND ALL TRANSACTION AND CLAIM RELATED TO AND/OR ARISING OUT OF THE PRODUCT. THIS IS A BINDING LEGAL AGREEMENT ("AGREEMENT") BETWEEN YOU (EITHER AN INDIVIDUAL OR ENTITY) AND THE MANUFACTURER WILLAND (BEIJING) TECHNOLOGY CO., LTD ("WILLAND") AND ITS AFFILIATES (INCLUDING BUT NOT LIMITED TO THEIR PARENT COMPANY, SUBSIDIARY, AFFILIATED COMPANIES, PREDECESSOR, SUBSEQUENT COMPANY, ADMINISTRATORS, SUCCESSORS, ASSIGNS, OFFICERS, DIRECTORS, MANAGERS, EMPLOYEES, MEMBERS, AND SHAREHOLDERS) (COLLECTIVELY "NAVIMOW PARTIES"), NAVIMOW DEALERS (AS DEFINED BELOW) AND THEIR AFFILIATES (COLLECTIVELY "NAVIMOW DEALERS").

PURCHASING THE PRODUCT, OPENING THE PRODUCT PACKAGING, USING THE PRODUCT, RETAINING THE PRODUCT, EXPLOITING THE BENEFITS OF THIS AGREEMENT, OR ELECTRONIC ACCEPTANCE OF THIS AGREEMENT SHALL CONSTITUTE ACCEPTANCE OF THIS AGREEMENT. IN AN EVENT YOU, AS A PARENT(S) OR LEGAL GUARDIAN(S), PURCHASE THIS PRODUCT ON BEHALF OF OR FOR YOUR CHILDREN, YOU HEREBY CONSENT TO AND APPROVE IN ALL RESPECTS THE TERMS AND CONDITIONS OF THE AGREEMENT AND AGREE THAT BOTH YOU AND YOUR CHILDREN SHALL BE BOUND BY THIS AGREEMENT. YOU ACKNOWLEDGE AND AGREE THAT YOU RECEIVE SUFFICIENT NOTICE OF THIS AGREEMENT AND YOU AGREE TO THIS AGREEMENT.

THE AGREEMENT ONLY AND EXCLUSIVELY APPLIES TO THE PRODUCT DISTRIBUTED AND/OR SOLD BY AND/OR THROUGH NAVIMOW PARTIES OR NAVIMOW DEALERS IN THE NORTH AMERICAN MARKET. IF YOU ARE NOT A RESIDENT IN THE NORTH AMERICAN MARKET, PLEASE CONTACT US BEFORE USING THE PRODUCT AS YOU MAY NOT HAVE A WARRANTY OR HAVE A DIFFERENT WARRANTY THAN THE ONE PROVIDED HEREIN.

THE LIMITED WARRANTY CAN ALSO BE FOUND ONLINE AT: navimow.com

WARNING

USE OF THE PRODUCT BY A PERSON WHO HAS NOT RECEIVED SUFFICIENT TRAINING, DOES NOT POSSESS NECESSARY EXPERIENCE AND SKILLS, OR AGAINST, IN VIOLATION OF OR NOT ACCORDING TO THE USER MANUAL, INSTRUCTIONS, GUIDANCE AND/OR SAFETY WARNINGS MAY CAUSE SEVERE BODILY INJURY OR EVEN DEATH OR PROPERTY DAMAGES. PLEASE READ EACH AND EVERY SECTION OF THIS DOCUMENT CAREFULLY BEFORE USE OF THE PRODUCT. YOU ARE ENCOURAGED TO CONSULT WITH YOUR PROFESSIONALS AND ADVISORS REGARDING THE INFORMATION PROVIDED HEREIN, ESPECIALLY THOSE RELATED TO THE SAFETY AND YOUR LEGAL RIGHTS AND DUTIES.

1. Limited Warranty

This Limited Warranty covers only defects of any material or quality of the Product and components when the Product and components thereof are being used under normal and ordinary conditions. In the event that a defect covered by this Limited Warranty occurs, Navimow and/or other Navimow Parties in its sole discretion will repair or replace the defective Product or components thereof in accordance with this Limited Warranty. The applicable Limited Warranty Period for the Limited Warranty commences on the date of the original purchase of the Product from either of Navimow, Navimow's authorized reseller, Navimow's authorized distributor, or an authorized Dealer (each a "Navimow Dealer" or collectively the "Navimow Dealers"). This warranty gives you specific legal rights, and if you are a consumer in the United States of America, you may also have other rights which vary from State to State.

Product covered by this warranty	Limited Warranty Period
X430 (Black), X450 (Black)	3 years
Battery packs and power adapters	2 years



Blades are seen as disposable and are not covered by this warranty.

The later date from the following is considered as the start time of the Limited Warranty Period:

- Date of the purchase time
- Date of first-time activation

THIS LIMITED WARRANTY HEREIN IS THE ONLY EXPRESS WARRANTY APPLICABLE TO PRODUCT AND ITS COMPONENT PARTS, ACCESSORIES, AND SERVICE REPAIR. NAVIMOW AND NAVIMOW PARTIES DISCLAIM ALL OTHER EXPRESS WARRANTIES. NAVIMOW AND OTHER NAVIMOW PARTIES LIMIT THE DURATION AND REMEDIES OF ALL IMPLIED WARRANTIES, INCLUDING WITHOUT LIMITATION TO THE WARRANTIES OF MERCHANTABILITY AND FITNESS FOR A PARTICULAR PURPOSE, WHETHER ARISING BY LAW, COURSE OF DEALING, COURSE OF PERFORMANCE, USAGE OF TRADE OR OTHERWISE, TO THE DURATION OF THIS EXPRESS LIMITED WARRANTY. THE FOREGOING LIMITATIONS OR EXCLUSIONS OF WARRANTY SHALL SUBJECT TO ANY MANDATORY LAW THAT PROHIBITS SUCH EXCLUSION, LIMITATION, RESTRICTION, OR MODIFICATION OF WARRANTY. FOR ANY WARRANTY THAT MAY APPLY HEREIN ON THE GROUND THAT SUCH WARRANTY IS MANDATED BY LAW AND CANNOT BE EFFECTIVELY EXCLUDED, RESTRICTED OR MODIFIED BY THE FOREGOING DISCLAIMER, THE DURATION OF ITS APPLICABILITY SHALL BE THE PERIOD PROVIDED BY THE LIMITED WARRANTY HEREIN OR THAT REQUIRED BY THE APPLICABLE COUNTRY/STATE LAW, WHICHEVER IS SHORTER. SOME COUNTRIES/STATES DO NOT ALLOW LIMITATIONS ON HOW LONG AN IMPLIED WARRANTY LASTS, SO THE ABOVE LIMITATION MAY NOT APPLY TO YOU.

2. Limited Warranty Service Process

Navimow's online services are available at navimow.com. During your use of the Product, you believe the Product or its component is defective and/or does not work correctly. PLEASE IMMEDIATELY STOP USING THE PRODUCT, AND STORE THE PRODUCT PROPERLY. YOUR CONTINUED USE OF THE PRODUCT UNDER SUCH CIRCUMSTANCE MAY CAUSE SEVERE BODILY INJURY OR EVEN DEATH TO YOU OR THE OTHERS AND/OR CAUSE PROPERTY DAMAGES. Thereafter, please immediately contact Navimow at navimowsupport-us@rlm.segway.com. Navimow's technical support personnel are available to assist you online or over the phone in diagnosing the defect, and if any, and providing further instructions. In the event the warranty services are required, please prepare for the following materials, including (i) proof of the original purchase of the Product from Navimow Dealers, (ii) the Product's serial number, and (iii) a description of the defect if applicable. Upon the verification of your eligibility for the Limited Warranty protection and/or services, you should provide your name, email address, mailing address, and contact phone number to us, we will guide you to get our service.

If you want to return the defective unit to service, you shall be responsible for the cost of shipping and risk of loss and damage that may occur during the shipment from you to Navimow and (ii) from Navimow to you. You must include your defective Product or component within the original or Navimow-approved packaging, which will be provided at your cost, for shipment of the Product to Navimow. You shall defend, indemnify, and hold Navimow harmless any loss and/or damages that may be caused by your improper packaging or shipment of the Product or component to Navimow.

An authorized service provider or Navimow Dealer will inspect your returned Product. If Navimow reasonably determines that the problem is not covered by the Limited Warranty, Navimow will notify you and inform you of service or replacement alternatives that are available to you on a fee basis, or Navimow will return your Product to you unrepaired, and in such instance, you will be responsible for the cost of shipping and insurance for shipment of your Product from Navimow to you. In an event that any services is not covered by the limited warranty and you reject a paid service recommended by Navimow Parties and/or Navimow Dealer, you understand and acknowledge that failure to repair and/or services the Product may increase the risk of fall and/or Product failure which may result in severe property damages, severe bodily injury or death, and you agree that this is your informed consent to take such risk.

For a return eligible for the warranty protection and/or services, Navimow will serve defective Products with new or reconditioned parts of the same or similar style at no cost to you for the service. Parts replaced by Navimow will be retained by and become the property of Navimow. In such a situation, Navimow will pay reasonable return shipping charges for the return of the Product to you.

3. Limited Warranty Eligibility

- 3.1 Your service request must be received by Navimow within the Limited Warranty Period as described above, and Navimow must, receive your Product in accordance with the Limited Warranty Service Process defined above.
- 3.2 Your Product must be purchased from an authorized Navimow Dealer.
- 3.3 You must provide the original purchase receipt.

- 3.4 Your Product must have serial number legible, unobscured, untampered, and unmodified.
- 3.5 All tamper-resistant seals must be intact, in place, and unmodified.

4. Limited Warranty Exclusions

This Limited Warranty describes the service available to you if your product requires warranty service, and you may have additional protections under your local laws. This Limited Warranty does not cover and excludes damage to your product or any component thereof caused by:

- 4.1 Abuse, misuse, recklessness, negligence, or commercial use.
- 4.2 Improper charging, storage, maintenance, or operation of the Product not in compliance with instructions or limitations as provided in the user materials.
- 4.3 Use of the Product not in compliance with applicable laws and regulations.
- 4.4 Use of the Product by persons with inadequate experience.
- 4.5 Accident, collision, riding at an unsafe speed on paved roads, riding at an unsafe speed on unpaved roads, riding over obstacles, amateur racing, professional racing, use in backcountry sports, fire damage, water damage, chemical damage, use of the Product outside of the Product's working temperature range, high-pressure water spray, earthquake, dropping, loading with excessive weights.
- 4.6 Modifications to mechanical parts, modification of electronic parts, or modifications to software embedded in the Product.
- 4.7 Service, repair, and maintenance by unauthorized providers.
- 4.8 Cosmetic damages.
- 4.9 Use of the Product with third-party product, component, or accessory.
- 4.10 The normal deterioration of wear and tear parts.
- 4.11 Use of the Product with overdue wear and tear parts.

5. LIABILITY DISCLAIMER AND LIMITATION

- 5.1 NAVIMOW AND OTHER NAVIMOW PARTIES DO NOT ASSUME OR AUTHORIZE ANYONE TO ASSUME ON ITS BEHALF, ANY OTHER OBLIGATION OR LIABILITY IN CONNECTION WITH THE PRODUCT, ITS COMPONENT PARTS, ACCESSORIES, SERVICE REPAIR, OR THIS LIMITED WARRANTY.
- 5.2 NAVIMOW PARTIES AND NAVIMOW DEALERS ARE NOT RESPONSIBLE FOR ANY LOSS OF USE OF A PRODUCT, ITS COMPONENT PARTS, ACCESSORIES, OR FOR ANY INCONVENIENCE OR OTHER LOSS OR DAMAGE WHICH MIGHT BE CAUSED FROM ANY DEFECT IN A PRODUCT, ITS COMPONENT PARTS, ACCESSORIES, SERVICE REPAIR, OR FOR ANY OTHER INCIDENTAL OR CONSEQUENTIAL DAMAGES YOU MAY HAVE AS A RESULT OF ANY DEFECT IN A PRODUCT, ITS COMPONENT PARTS, ACCESSORIES, OR SERVICE REPAIR. SOME COUNTRIES/STATES DO NOT ALLOW THE EXCLUSION OR LIMITATION OF INCIDENTAL OR CONSEQUENTIAL DAMAGES, SO THE ABOVE LIMITATION OR EXCLUSION MAY NOT APPLY TO YOU TO THE EXTENT THAT IT IS DISALLOWED BY APPLICABLE LAW.
- 5.3 IN NO EVENT NAVIMOW, OTHER NAVIMOW PARTIES AND NAVIMOW DEALERS' TOTAL AND AGGREGATE LIABILITY FOR ALL CLAIMS UNDER ANY AND ALL APPLICABLE LAW OR THEORY, JOINTLY OR SEVERALLY, ARISING OUT OF OR RELATED TO THE PURCHASE OF THE PRODUCT, USE OF THE PRODUCT, BREACH OF CONTRACT, TORTS (INCLUDING NEGLIGENCE) OR OTHERWISE, EXCEEDS THE DUTY TO REPAIR OR REPLACE ANY DEFECTIVE PRODUCT, FURTHER SUBJECT TO NAVIMOW'S SOLE AND EXCLUSIVE DISCRETION. IN NO EVENT SHALL BE NAVIMOW, OTHER NAVIMOW PARTIES AND NAVIMOW DEALERS BE LIABLE TO ANY PERSON FOR CONSEQUENTIAL, INDIRECT, INCIDENTAL, SPECIAL, EXEMPLARY, PUNITIVE OR ENHANCED DAMAGES ARISING OUT OF, OR RELATING TO, AND/OR IN CONNECTION WITH THE PURCHASE OF THE PRODUCT, ANY BREACH OF THIS AGREEMENT OR MANUFACTURER'S DUTIES REGARDLESS OF (A) WHETHER SUCH DAMAGES WERE FORESEEABLE, (B) WHETHER OR NOT NAVIMOW OR OTHER NAVIMOW PARTIES WERE ADVISED OF THE POSSIBILITY OF SUCH DAMAGES, AND (C) THE LEGAL OR EQUITABLE THEORY (CONTRACT, TORT OR OTHERWISE) UPON WHICH THE CLAIM IS BASED UNLESS SUCH LIMITATIONS AND EXCLUSIONS ARE PROHIBITED BY APPLICABLE LAW. THE FOREGOING LIMITATIONS OR EXCLUSIONS APPLY EVEN IF AN AGGRIEVED CUSTOMER OR ANY OTHER PERSON'S (WHO MIGHT HAVE RIGHT OR CLAIM UNDER THIS AGREEMENT BY OPERATION OF LAW OR EQUITY) REMEDIES UNDER THIS AGREEMENT FAIL THEIR ESSENTIAL PURPOSE. IN THE EVENT SOME COUNTRIES/STATES DO NOT ALLOW THE EXCLUSION OR LIMITATION OF CERTAIN OR ALL OF THE FOREGOING DAMAGES, SO TO THE EXTENT THAT SUCH LIMITATIONS OR EXCLUSIONS ARE NOT ALLOWED BY LAW, THEY MAY NOT APPLY TO YOU. SOME COUNTRIES/STATES DO NOT ALLOW THE EXCLUSION OR LIMITATION OF INCIDENTAL OR CONSEQUENTIAL DAMAGES, SO TO THE EXTENT



THAT SUCH LIMITATIONS OR EXCLUSIONS ARE NOT ALLOWED BY LAW, THE ABOVE LIMITATION OR EXCLUSION MAY NOT APPLY TO YOU.

5.4 To the extent permitted by applicable law, NAVIMOW PARTIES hereby DISCLAIM any liability and thereby shall not be responsible for any damages, including but not limited to death, bodily injury, or damages to property, arising out of or related to any conduct (including misconduct), action, inaction, act (including failure to act), omission or negligence by any authorized or unauthorized dealer, distributor, wholesaler, retailer, service provider or third party that involves the distribution of Product or the services thereto. To the extent permitted by applicable law, the explicit representations and warranties, if any, provided herein, shall be the only warranties and representations made by NAVIMOW PARTIES to YOU, any consumer, and/or end-user. NAVIMOW PARTIES shall not be responsible for any other warranties and/or representations that may be given and/or provided by another person unless NAVIMOW Parties have in a written form explicitly authorized such additional warranty and/or representation to be given to consumer or end-user.

6. Claims, Dispute Resolution and Arbitration

THE CLAUSES CONTAINED HEREIN ARE LEGALLY BINDING BETWEEN YOU (EITHER AN INDIVIDUAL OR ENTITY), AND NAVIMOW, ITS AFFILIATES, NAVIMOW PARTIES AND NAVIMOW DEALERS. THE CLAUSES CONTAINED HEREIN MAY AFFECT YOUR RIGHTS, AND IT IS YOUR RESPONSIBILITY TO READ THE FOLLOWING SECTIONS. YOU CAN OPT OUT OF THE AGREEMENT WITHIN 30 CALENDAR DAYS OF THE FIRST CONSUMER PURCHASE BY EMAILING OPTOUT@SEGWAY.COM AND PROVIDING THE APPLICABLE INFORMATION. FOR MORE DETAILS, PLEASE SEE SECTION 6.3.

6.1 Binding Arbitration

Navimow Parties, Navimow Dealers, and you agree that any dispute, controversy, or claim arising out of, related to or in connection with this Agreement, the limited warranty, the sale, condition, or performance of the Product, whether based in contract, tort, fraud, misrepresentation or any other legal theory at law or in equity, including but not limited to any claims for death, injury or property damages, shall be submitted to binding arbitration upon the request of either party upon the service of that request on the other party.

The arbitration shall be conducted by the American Arbitration Association (AAA) according to its Commercial Arbitration Rules and the Supplementary Procedures for Consumer-Related Disputes (collectively "AAA Rules"). The AAA Rules are available online at adr.org or by calling the AAA at 1-800-778-7879. The arbitration shall be conducted before a single arbitrator, whose award may not exceed, in form or amount, the relief allowed by the "Liability Disclaimer and Limitation" clause herein subject to the applicable law. The arbitration tribunal shall have the power to rule on any challenge to its jurisdiction or to the validity or enforceability of any portion of the Agreement to arbitrate. Any decision of the arbitrator shall be final and may be entered into any judgment in any court of competent jurisdiction. You waive the right to have your claim heard in a court of law and by a jury.

You waive the right to participate in class actions arising from or relating to all claims and disputes with Navimow Parties and/or Navimow Dealers. You agree to arbitrate solely on an individual basis and that this Agreement does not permit class arbitration or any claims brought as a plaintiff or class member in any class or representative arbitration proceeding. The arbitral tribunal may not consolidate more than one person's claims and may not otherwise preside over any form of a representative or class proceeding. If the prohibition on class arbitration is deemed invalid or unenforceable, then the remaining portions of the arbitration Agreement will remain in force.

Section 6 "Claims and Dispute Resolution" clause shall survive upon termination or expiration of this Agreement and/or limited warranty or in the event that this Agreement and/or the limited warranty is held as void, avoidable, invalid, or unenforceable, either in whole or part, by a competent adjudication institution with actual authority and jurisdiction over this matter.

Navimow Parties and Navimow Dealer require, and you hereby agree that you shall arbitrate your claims against Navimow Parties and/or Navimow Dealers according to the arbitration described above before you exercise your rights according to the title of the Magnuson-Moss Warranty Act. Title I of the Magnuson-Moss Warranty Act does not require you to pursue rights and remedies available to you that are not provided by the Title I of Magnuson-Moss Warranty Act.

6.2 Small Claim

For any arbitration in which your total claims, exclusive of attorney fees and expert witness fees, is \$5,000.00 or less ("Small Claim"), the arbitrator may, if you prevail, award your reasonable attorney fees, expert witness fees, and costs as part of any award on the condition of the arbitrator's actual and affirmative finding that the claim is non-frivolous. In a Small Claim case, you are required to pay no more than half of the total administrative, facility, and arbitrator fees, or \$50.00 of such fees, whichever is less, and Navimow Parties shall pay the remainder of such fees. In a Small Claim case,

Navimow Parties shall not recover any attorney fees provided that your claim is non-frivolous. Administrative, facility, and arbitrator fees for arbitrations in which your total claimed damages, exclusive of attorney fees and expert witness fees, exceed \$5,000.00 ("Large Claim"), shall be determined according to AAA Rules. In a Large Claim case, the arbitrator may grant to the prevailing party or apportion among the parties reasonable attorney fees, expert witness fees, and costs. The arbitrator shall be entitled to award declaratory or injunctive relief upon request by any party.

6.3 Opt-Out

YOU MAY OPT OUT OF THIS DISPUTE RESOLUTION PROCEDURE BY PROVIDING NOTICE TO NAVIMOW PARTIES NO LATER THAN THIRTY (30) CALENDAR DAYS AFTER THE DATE OF THE FIRST CONSUMER PURCHASER'S PURCHASE OF THE PRODUCT. TO OPT-OUT, YOU MUST SEND NOTICE BY EMAIL TO NAVIMOW AT OPTOUT@SEGWAY.COM, WITH THE SUBJECT LINE: "ARBITRATION OPT-OUT." THE OPT-OUT NOTICE BY E-MAIL MUST INCLUDE (A) YOUR NAME, EMAIL ADDRESS, MAILING ADDRESS, AND PHONE NUMBER; (B) THE DATE ON WHICH THE PRODUCT WAS PURCHASED; (C) THE PRODUCT MODEL NAME OR MODEL NUMBER; AND (D) THE SERIAL NUMBER. ALTERNATIVELY, YOU MAY OPT OUT BY SENDING AN ELECTION TO OPT-OUT LETTER TO NAVIMOW AT 98 Spit Brook Rd. Suite 2203, Nashua, New Hampshire, 03062. WITHIN THIRTY (30) CALENDAR DAYS FROM THE DATE OF THE FIRST END USER'S PURCHASE OF THE PRODUCT FROM NAVIMOW DEALER. THE OPT-OUT LETTER SHALL CONTAIN THE FOLLOWING INFORMATION: (A) YOUR NAME, EMAIL ADDRESS, MAILING ADDRESS, AND PHONE NUMBER; (B) THE DATE ON WHICH THE PRODUCT WAS PURCHASED; (C) THE PRODUCT MODEL NAME OR MODEL NUMBER; (D) THE SERIAL NUMBER; AND (E) AN STATEMENT AS FOLLOWS: THE ABOVE CONSUMER ELECTS TO OPT-OUT OF THE DISPUTE RESOLUTION PROCEDURE AS PROVIDED BY THIS LIMITED WARRANTY, THESE ARE THE ONLY TWO EFFECTIVE WAYS TO OPT-OUT OF THIS DISPUTE RESOLUTION PROCEDURE. ELECTION TO OPT-OUT THIS DISPUTE RESOLUTION PROCEDURE WILL NOT AFFECT THE COVERAGE OF THE LIMITED WARRANTY IN ANY WAY, AND YOU WILL CONTINUE TO ENJOY THE BENEFITS OF THE LIMITED WARRANTY.

6.4 Federal Arbitration Act

The Federal Arbitration Act governs this arbitration clause. This Agreement evidences a transaction in interstate commerce, and thus the Federal Arbitration Act governs its interpretation and enforcement.

6.5 Procedure

The Federal Arbitration Act governs this arbitration clause. This Agreement evidences a transaction in interstate commerce, and thus the Federal Arbitration Act governs its interpretation and enforcement.

The following is a description of the arbitration process:

- A. Mail a Notice of Dispute to Navimow. Before initiating an arbitration against Navimow Parties and/or Navimow Dealers, you must first notify Navimow Parties and/or Navimow Dealers of your dispute in good faith. Please include your contact information, your concerns, and the relief you intend to seek from Navimow Parties and/or Navimow Dealers, and any information you believe would help resolve the dispute. Navimow Parties and/or Navimow Dealers will review your Notice of Dispute to determine whether Navimow Parties and/or Navimow Dealers may settle it with you to avoid arbitration. The notice should be sent by certified mail to Attention: Disputes, NAVIMOW, 98 Spit Brook Rd. Suite 2203, Nashua, New Hampshire, 03062. Please keep a copy of your notice for your records.
- B. Wait 30 Days. Navimow Parties and/or Navimow Dealers will review your Notice of Dispute within thirty (30) days of Navimow's receipt of your Notice of Dispute. If you do not hear from Navimow within thirty (30) days of its receipt of your Notice of Dispute, you may proceed with filing an arbitration claim against Navimow Parties and/or Navimow Dealers. Should Navimow provide you a written settlement offer, please keep this settlement offer because Navimow Parties and/or Navimow Dealers and you will be required to show this settlement offer to the arbitrator. Notwithstanding the foregoing, such offer, if any, shall not be shown to the arbitrator until after the arbitrator's determination on the merits of your claim.
- C. Complete a Demand for Arbitration. You can initiate arbitration by completing a Demand for Arbitration that includes a basic statement of the (i) names and addresses and telephone numbers of the parties involved; (ii) your description of the dispute; and (iii) your short statement detailing why you are entitled to relief.
- D. Send Navimow Parties and/or Navimow Dealers Your Demand for Arbitration. You can send Navimow Parties and/or Navimow Dealers your Demand for Arbitration at the following address: Attention: Disputes, NAVIMOW, 98 Spit Brook Rd. Suite 2203, Nashua, New Hampshire, 03062. Please keep a copy of your notice for your records.

- E. Send AAA Two (2) Copies of Your Demand for Arbitration. The Demand for Arbitration includes the address that you are to send two (2) copies of your Demand for Arbitration. This address is AAA Case Filing Services at 1101 Laurel Oak Road, Suite 100, Voorhees, NJ 08043, subject to amendment and/or update by AAA. You should also include a copy of this warranty policy and the appropriate filing fee. Navimow Parties will reimburse you for this filing fee. If you cannot afford to pay the filing fee, please contact Navimow, and Navimow will pay the filing fee for you if your claims seek a remedy less than \$75,000. AAA has an online filing option that you can find on its website: www.adr.org.
- F. AAA Appointment of Arbitrator. If no claim in the arbitration exceeds \$75,000, the AAA will appoint an arbitrator and notify you and Navimow Parties and/or Navimow Dealers of the arbitrator's name and qualification. The AAA requires all arbitrators to check for any past or present relationships with the parties, potential witnesses, and the parties' attorneys. If the arbitrator has any such relationship, the AAA will inform Navimow Parties and you. If either you or Navimow Parties object to the AAA's choice of arbitrator, we'll have seven (7) days to inform the AAA.
- G. Choose the Hearing You Would Like. Unless you and Navimow Parties agree to have any arbitration hearings somewhere else, the arbitration will take place in the county (or parish) that you purchase the Product. If your claim is for \$10,000 or less, you may choose to have the hearing conducted by telephone or in-person. Alternatively, you may choose to proceed to conduct the entire arbitration through written correspondence with the arbitrator that doesn't include an interactive hearing. Once the AAA has commenced the arbitration, you have ten (10) days to inform the AAA of your choice of hearing. If you don't make a choice, the AAA will conduct the arbitration by written correspondence without an interactive hearing. If your claim exceeds \$10,000, the right to a hearing will be determined by the AAA Rules. Those rules currently provide for an in-person hearing if your claim exceeds \$10,000, but you and Navimow Parties may agree whether that hearing is in person or by telephone or whether to instead proceed with written correspondence.
- H. Arbitrator's Decision. Within fourteen (14) days from the conclusion of the in-person or telephone hearing, or from the submission of all written evidence to the arbitrator if you have elected to conduct the arbitration through written correspondence, the arbitrator will render a written decision. That decision will include the essential findings and conclusions upon which the arbitrator based his or her award. Navimow Parties will immediately respond to the arbitrator notifying the arbitrator whether, and to what extent, Navimow Parties will abide by the decision, perform the obligations it has agreed to do. Any decision by the arbitrator may be utilized by any party for any reason.
- I. The parties agree to keep strictly confidential any conduct, communication, and information disclosed and/or communicated to the other party under Section 6 (Claims, Dispute Resolution and Mandatory arbitration), including but not limited to the existence of dispute resolution, mediation (if the parties agree to conduct mediation), settlement, arbitration, arbitral proceedings, submissions made by the parties and the decisions made by arbitral tribunal, including its awards to the extent not already in the public domain, except in judicial proceedings related to the award or where required by applicable law.

7. Intended Third-Party Beneficiary

(a) If a natural person receives a Product that is new as a gift from its original purchaser and this recipient does not become a party to this Agreement, this recipient shall be deemed as an intended third-party beneficiary to this Agreement. (b) If (i) a natural person is in the family or household of a purchaser of Product, (ii) it is reasonable to expect that such person may use, consume, or be affected by the Product, and (iii) this person is not a party to this Agreement, this person shall be deemed as an intended third-party beneficiary to this Agreement.

8. Statute of Limitation

The parties agree that any dispute, controversy, or claim arising out of, related to, or in connection with this Agreement, the limited warranty, the sale, condition, or performance of the Product, whether based in contract, tort, fraud, misrepresentation or any other legal theory at law or in equity, including but not limited to any claims for death, injury or property damages, must be commenced within one year after the cause of action has occurred.

9. Severability

If any term, clause, or provision of this Agreement is invalid, illegal or unenforceable in any jurisdiction, such invalidity, illegality, or unenforceability shall not affect any other term, clause or provision of this Agreement or invalidate or render unenforceable such term, clause or provision in any other jurisdiction. Upon a determination that any term, clause, or provision is invalid, illegal, or unenforceable, the parties shall negotiate in good faith, and if negotiation fails, the arbitral tribunal may modify this Agreement to give effect to the original intent of the parties as closely as possible in order that the transactions contemplated hereby be consummated as originally contemplated to the greatest extent possible.

10. Language

This Agreement may be translated into different languages. In the event of a conflict, the English version shall prevail and control.

6.2 Certifications

The battery complies with UN/DOT 38.3

Federal Communications Commission (FCC) Compliance Statement for USA

This device complies with Part 15 of the FCC Rules. Operation is subject to the following two conditions: (1) This device may not cause harmful interference, and (2) this device must accept any interference received, including interference that may cause undesired operation.

Note: This equipment has been tested and found to comply with the limits for a Class B digital device, pursuant to Part 15 of the FCC Rules. These limits are designed to provide reasonable protection against harmful interference in a residential installation. This equipment generates, uses and can radiate radio frequency energy and, if not installed and used in accordance with the instructions, may cause harmful interference to radio communications. However, there is no guarantee that interference will not occur in a particular installation.

If this equipment does cause harmful interference to radio or television reception, which can be determined by turning the equipment off and on, the user is encouraged to try to correct the interference by one or more of the following measures:

- Reorient or relocate the receiving antenna.
- Increase the separation between the equipment and receiver.
- Connect the equipment into an outlet on a circuit different from that to which the receiver is connected.
- Consult the dealer or an experienced radio/TV technician for help.

This equipment complies with FCC radiation exposure limits set forth for an uncontrolled environment. This equipment should be installed and operated with minimum distance 7.87 in (20 cm) between the radiator and your body. This transmitter must not be co-located or operating in conjunction with any other antenna or transmitter.

FCC Caution: Any changes or modifications not expressly approved by the party responsible for compliance could void the user's authority to operate this equipment.

Industry Canada (IC) Compliance Statement for Canada

This device contains licence-exempt transmitter(s) that comply with Innovation, Science and Economic Development Canada's licence-exempt RSS(s).

Operation is subject to the following two conditions:

1. This device may not cause interference.
2. This device must accept any interference, including interference that may cause undesired operation of the device.

L'émetteur exempt de licence contenu dans le présent appareil est conforme aux CNR d'Innovation, Sciences et Développement économique Canada applicables aux appareils radio exempts de licence. L'exploitation est autorisée aux deux conditions suivantes :

1. L'appareil ne doit pas produire de brouillage;
2. L'appareil doit accepter tout brouillage radioélectrique subi, même si le brouillage est susceptible d'en compromettre le fonctionnement.

This equipment complies with IC RSS-102 radiation exposure limits set forth for an uncontrolled environment. This transmitter must not be co-located or operating in conjunction with any other antenna or transmitter. This equipment should be installed and operated with minimum distance 8.66 in (22 cm) between the radiator and your body.

Cet équipement est conforme aux limites d'exposition au rayonnements IC RSS-102 établies pour un environnement non contrôlé. Cet équipement doit être installé et utilisé avec un minimum de 22 cm de distance entre la source de rayonnement et votre corps.

Navimow is not responsible for any changes or modifications not expressly approved by Navimow. Such modifications could void the user's authority to operate the equipment.

6.3 Sensors and Interfaces

The mower is equipped with external sensors that ensure accurate operation, navigation, and safety. All data collected by these sensors is used strictly for operational purposes and is not shared with third parties.

RTK (Real-Time Kinematic) module

Used for auxiliary positioning of the mower. GPS location data is only collected when the Anti-theft feature is enabled. No location data is transmitted or stored during other operation.

Camera sensors

Used for obstacle detection and positioning. The camera sensor does not record or store video, and it is solely used in real-time to the mower's navigation system.

Lift sensor

Used to detect if the mower is lifted off the ground and immediately stops rotating the blades to prevent injury. This sensor does not collect or store any user data.

Bumper sensors

Used for obstacle avoidance and safety.

IMU (Inertial Measurement Unit) sensor

Used to determine the mower's orientation and motion for accurate navigation. It functions internally and does not access or transmit any personal or location data.

The following network interfaces and services of the device are enabled by default:

- Bluetooth interface and customized Bluetooth service, used for network configuration and equipment control via the App.
- Wi-Fi interface, used for equipment network connection.
- 4G interface, used for equipment network connection.
- RTK interface, used for equipment positioning.

7. Contact Us

Manufacturer: Willand (Beijing) Technology Co., LTD.

Address: Room 203, A-1 Bldg. Zhongguancun Dongsheng Technology Park (Northern Territory), No. 66, Xixiaokou Rd, Haidian Dist., Beijing, China.

Manufactured for: Navimow Inc.

Address: 98 Spit Brook Rd. Suite 2203, Nashua, New Hampshire 03062, USA

Email: navimowsupport-us@rlm.segway.com

Website: navimow.com

Contact us if you experience issues relating to the operation, maintenance and safety, or errors/faults with your mower.

8. Trademark and Disclaimer

The Bluetooth® word mark and logos are registered trademarks owned by Bluetooth SIG, Inc. and any use of such marks by Manufacturer is under license. Other trademarks and trade names are those of their respective owners.

NAVIMOW