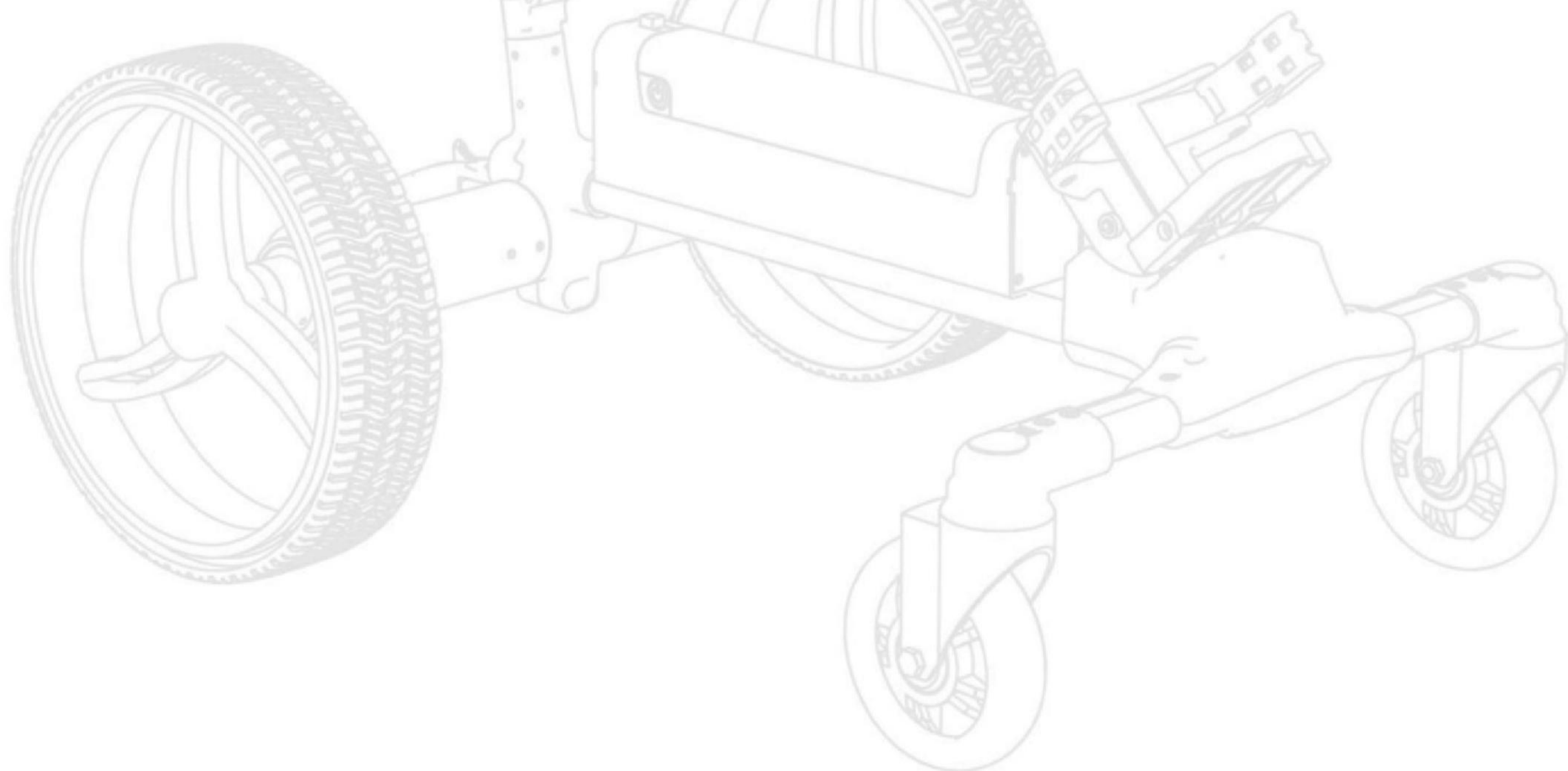




G1

product manuals



catalogue

1. Packing List 01.....	01
2. Product Installation and Folding.....	02
3. Product Structure Introduction 03.....	03
4. Product Icon Introduction 04.....	04
5. Product Usage 05.....	05
6. Product Features 06.....	06
7. APP Introduction 07.....	07
8. Product Parameters 10.....	10
9. Product Warranty 1.....	1

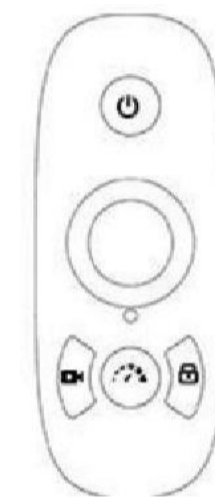
1. Packing list



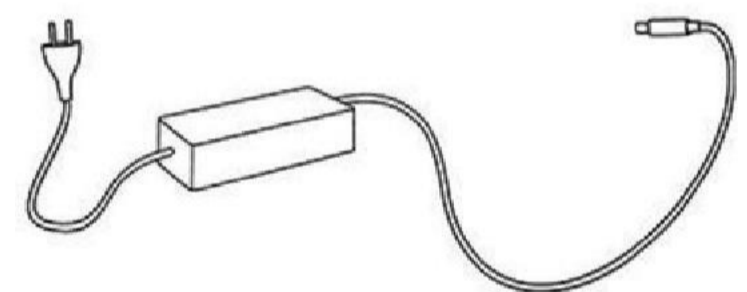
1. Ball bag car ×1



2. Product Manual ×1

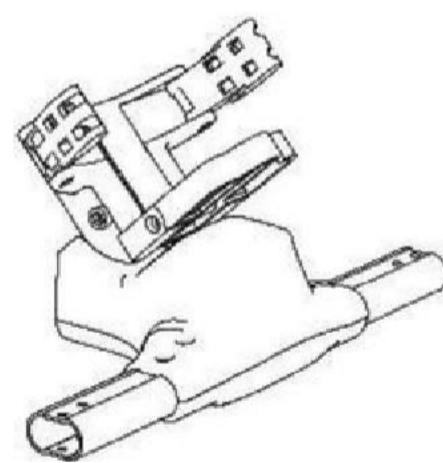


3. Remote control ×1



4. Charger ×1

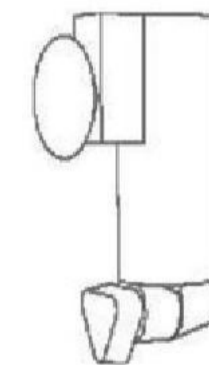
IT
In other words
TT
Oculomotor



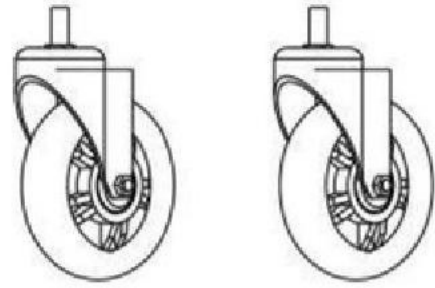
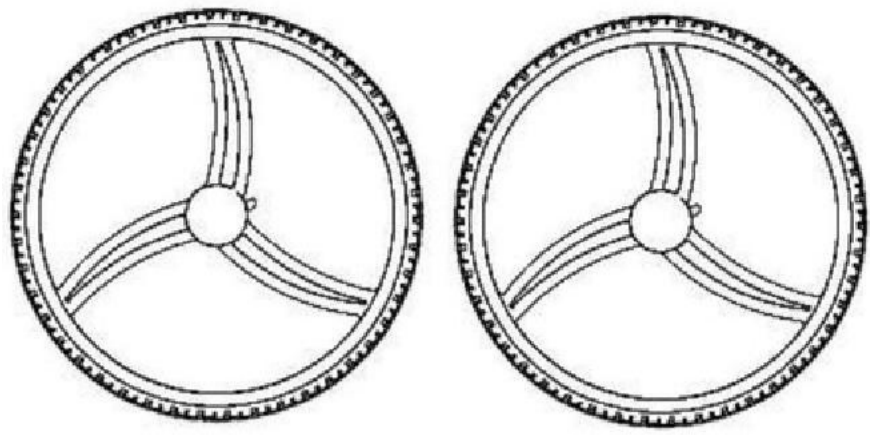
5. Tool kit ×1 6. Ball bag cart head ×1 7. Umbrella stand ×1

Tool kit ×1 6. Ball bag cart head ×1 7. Umbrella stand ×1

kit ×1 6. Ball bag cart head ×1 7. Umbrella stand ×1

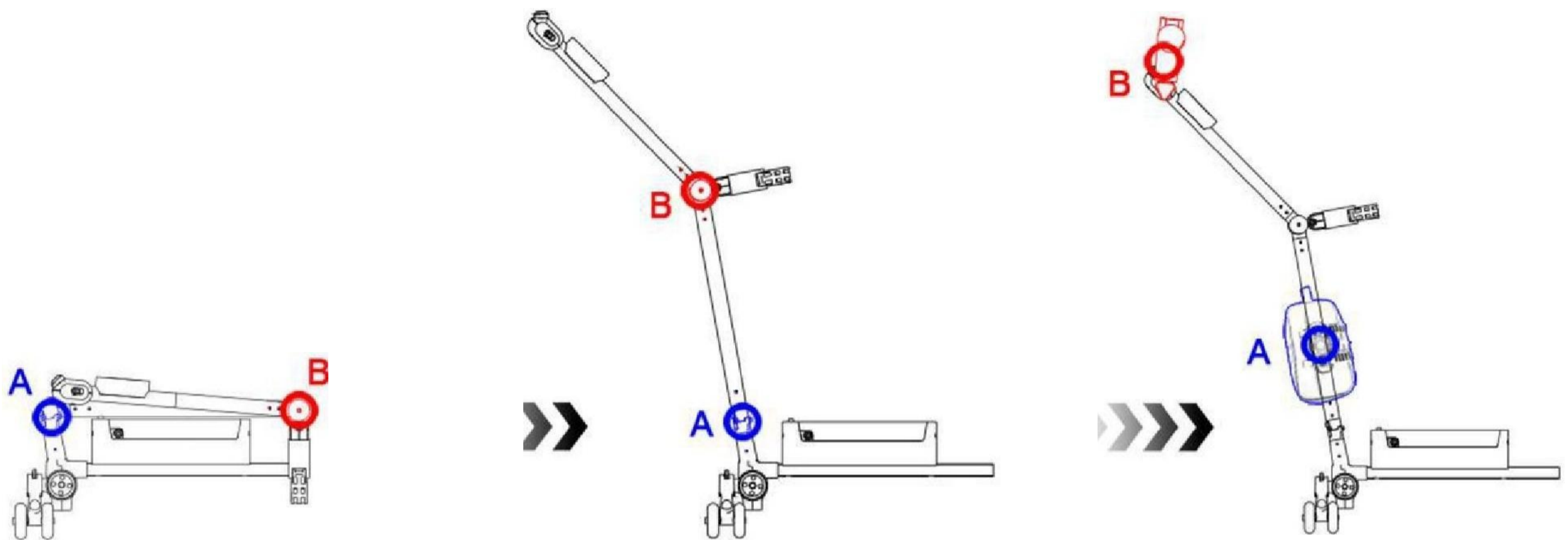


5. Tool kit ×1



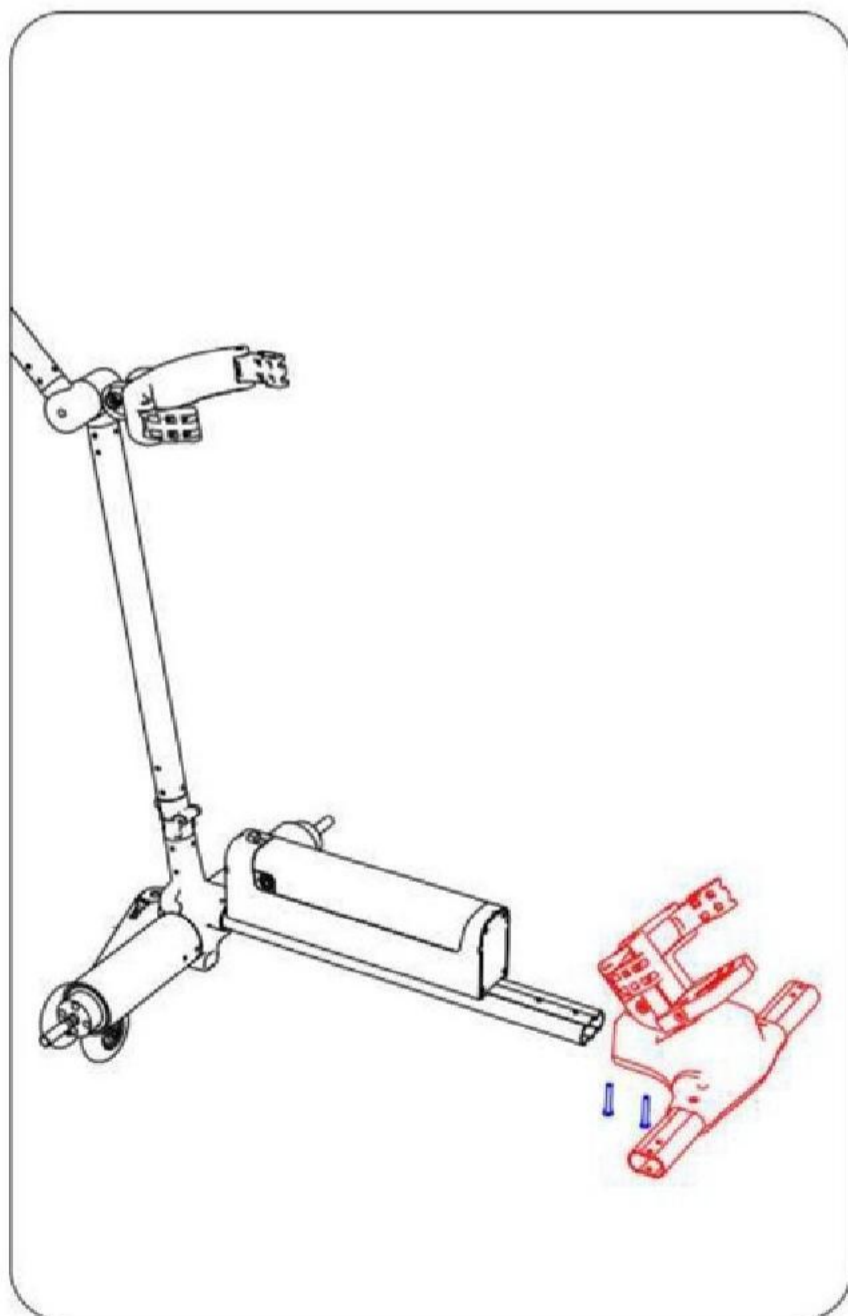
8. Motor wheels ×2 9. Universal wheels ×2 10. Storage bag ×1 8.
Motor wheels ×2 9. Universal wheels ×2 10. Storage bag ×1 8.
Motor wheels ×2 9. Universal wheels ×2 10. Storage bag ×1

2. Product installation and folding

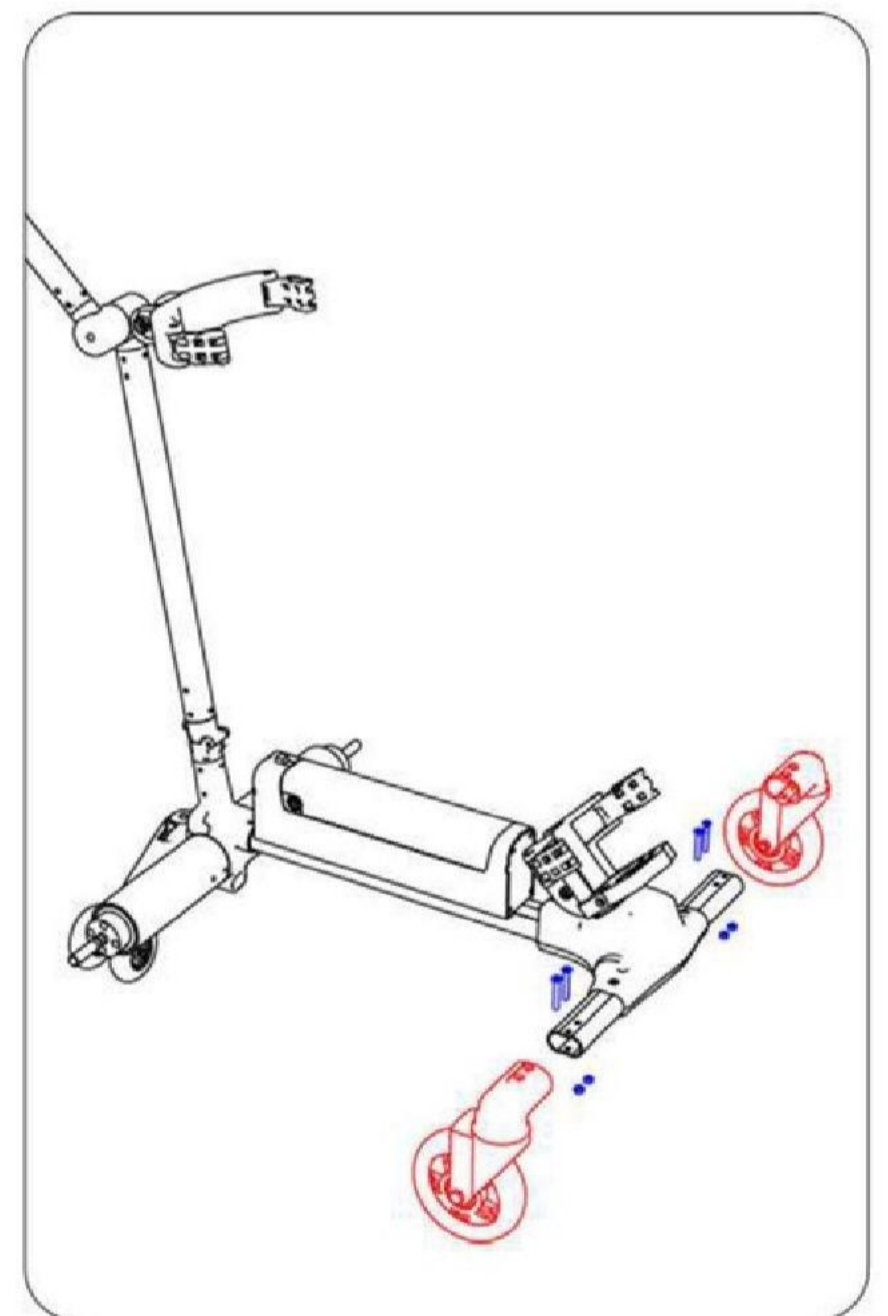


1. Prioritize opening the A-folded joint, followed by the B-folded joint, to unfold the upper part of the cart.

2. Take out the provided storage bag and attach it to the corresponding magnetic position on the ball cart using magnetic clips, then assemble it with the umbrella bracket on the handle side.



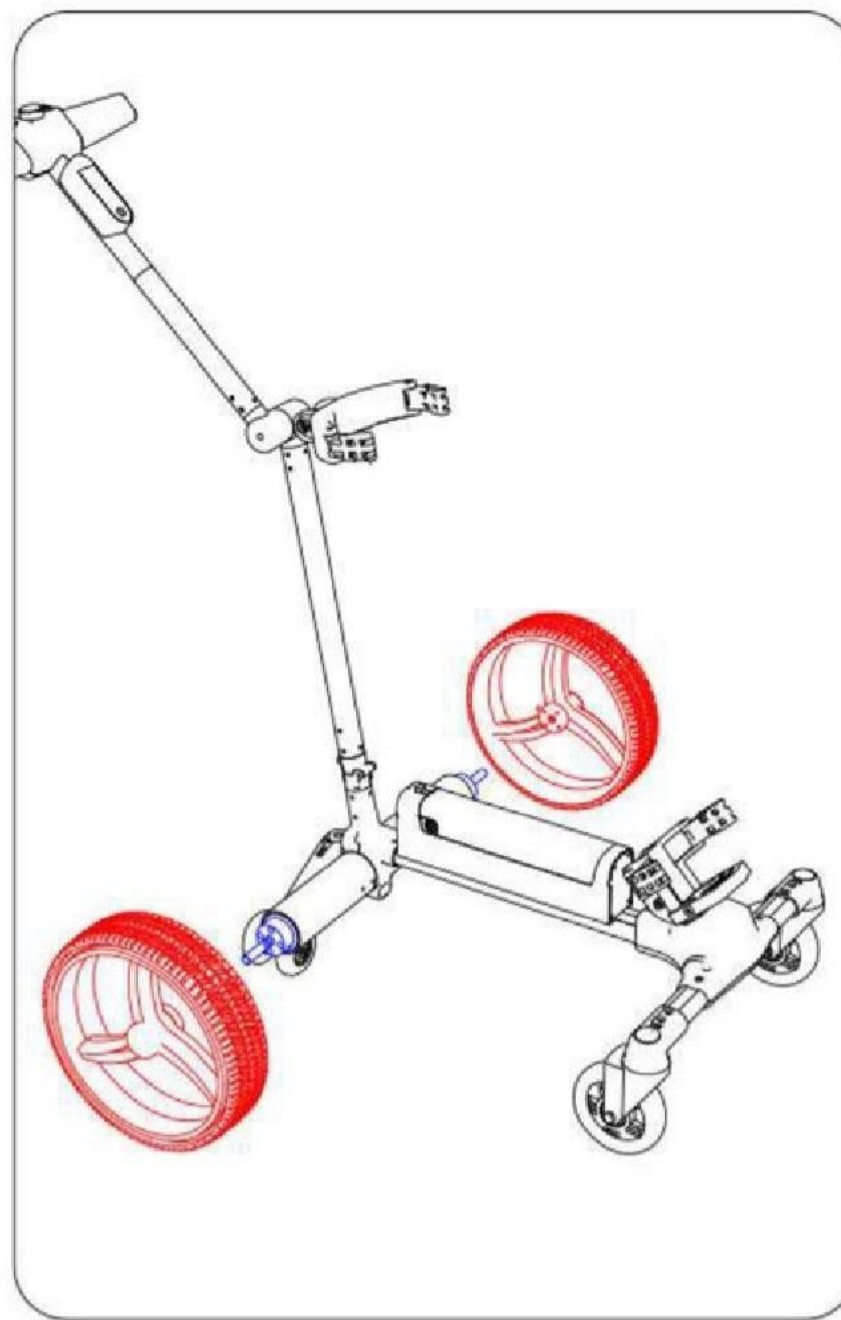
underbody to secure the front end.



3. Remove the two supplied M5 × 35 hex socket cup head bolts from the vehicle

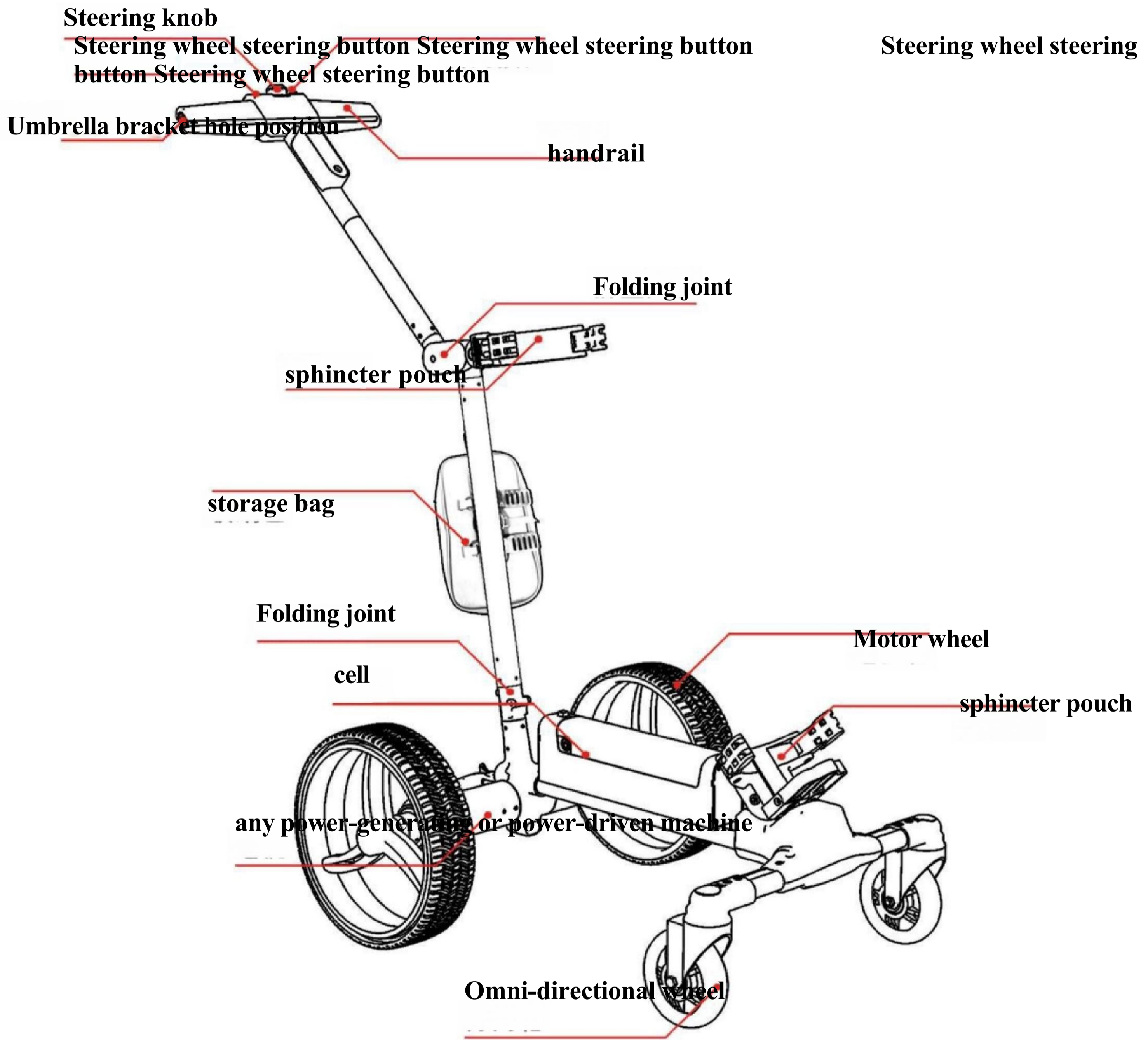
4. Remove the included left and right swivel wheels, and secure them to the vehicle head using two M5 × 35 hex

**socket cup heads and hex nuts
on each side.**

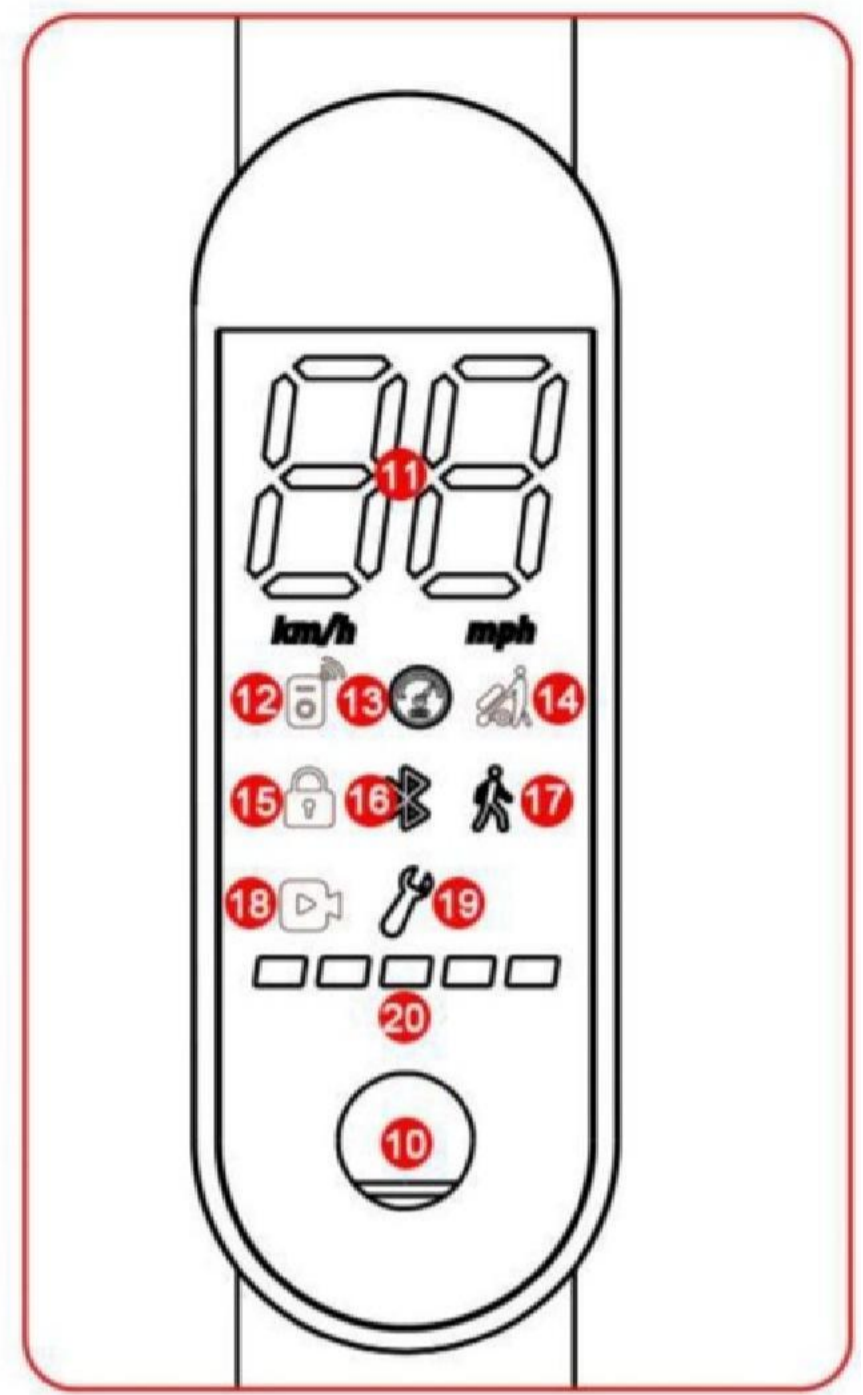
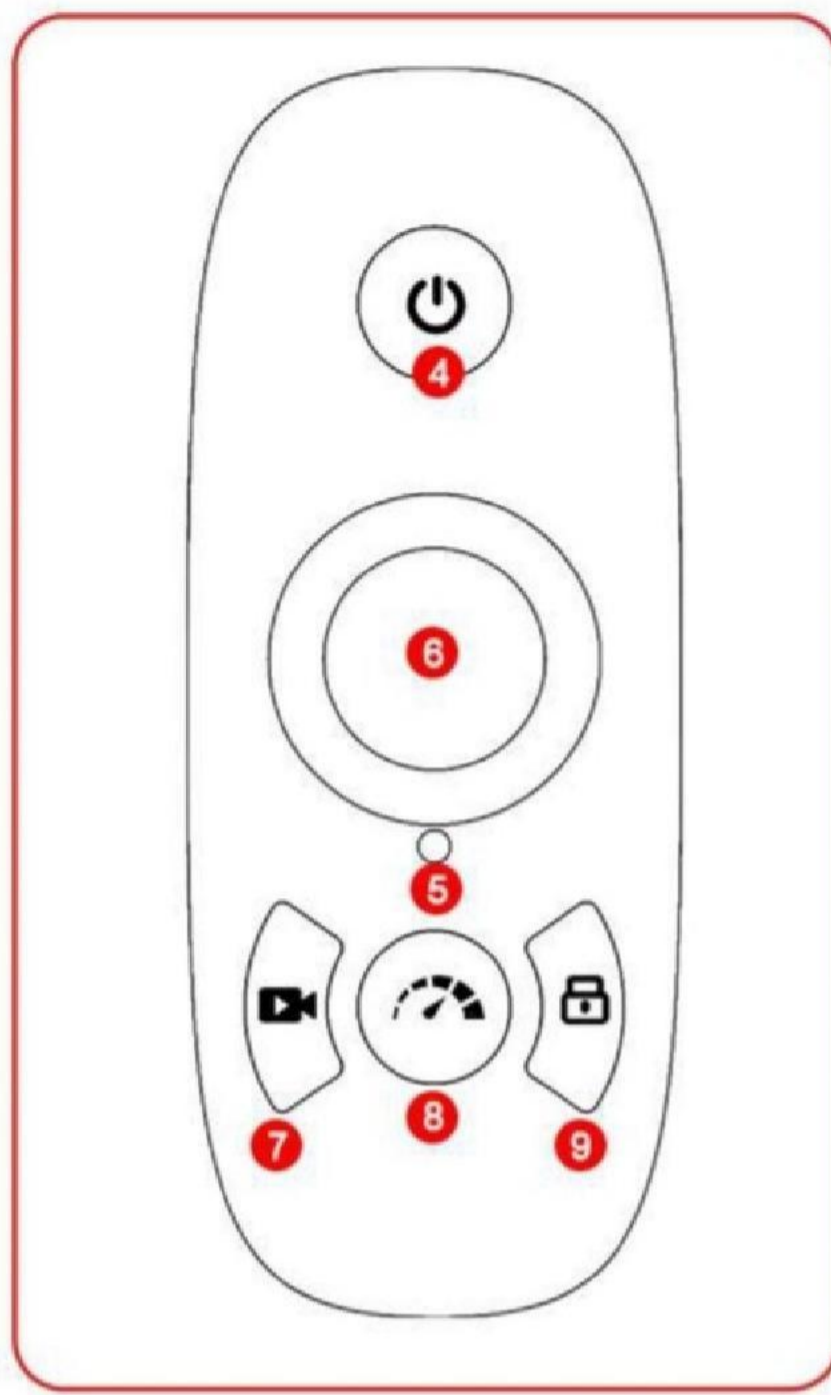
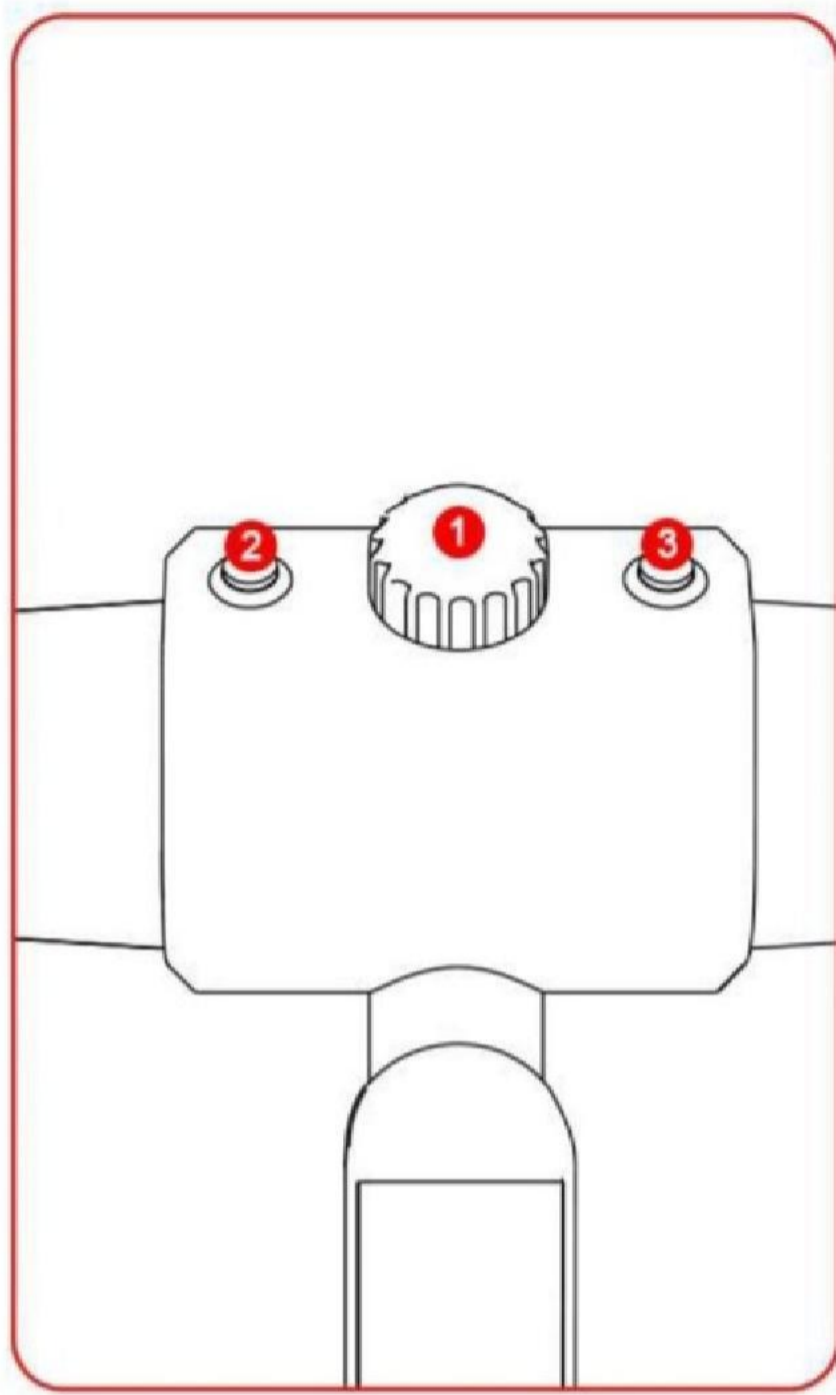


5. The motor wheel is equipped with a quick-release structure, which can be secured by aligning with the locking position.

3. Product Structure Introduction



4. Product icon introduction



1. Boosting knob 4. Remote control switch 10. Power-on button

1. Boosting knob 4. Remote control switch 10. Power-on button

2. Right turn button 5. Indicator light 11. Speed display

2. Right turn button 5. Indicator light 11. Speed display

3. Left turn button 6. Steering wheel 12. Remote control mode

3. Left turn button 6. Steering wheel 12. Remote control mode

7. Video recording button 13. Cruise control recording button 13. Cruise control

7. Video

8. Cruise control button 14. Push mode button 14. Push mode

8. Cruise control

9. Locking button 15. Locking Locking

9. Locking button 15.

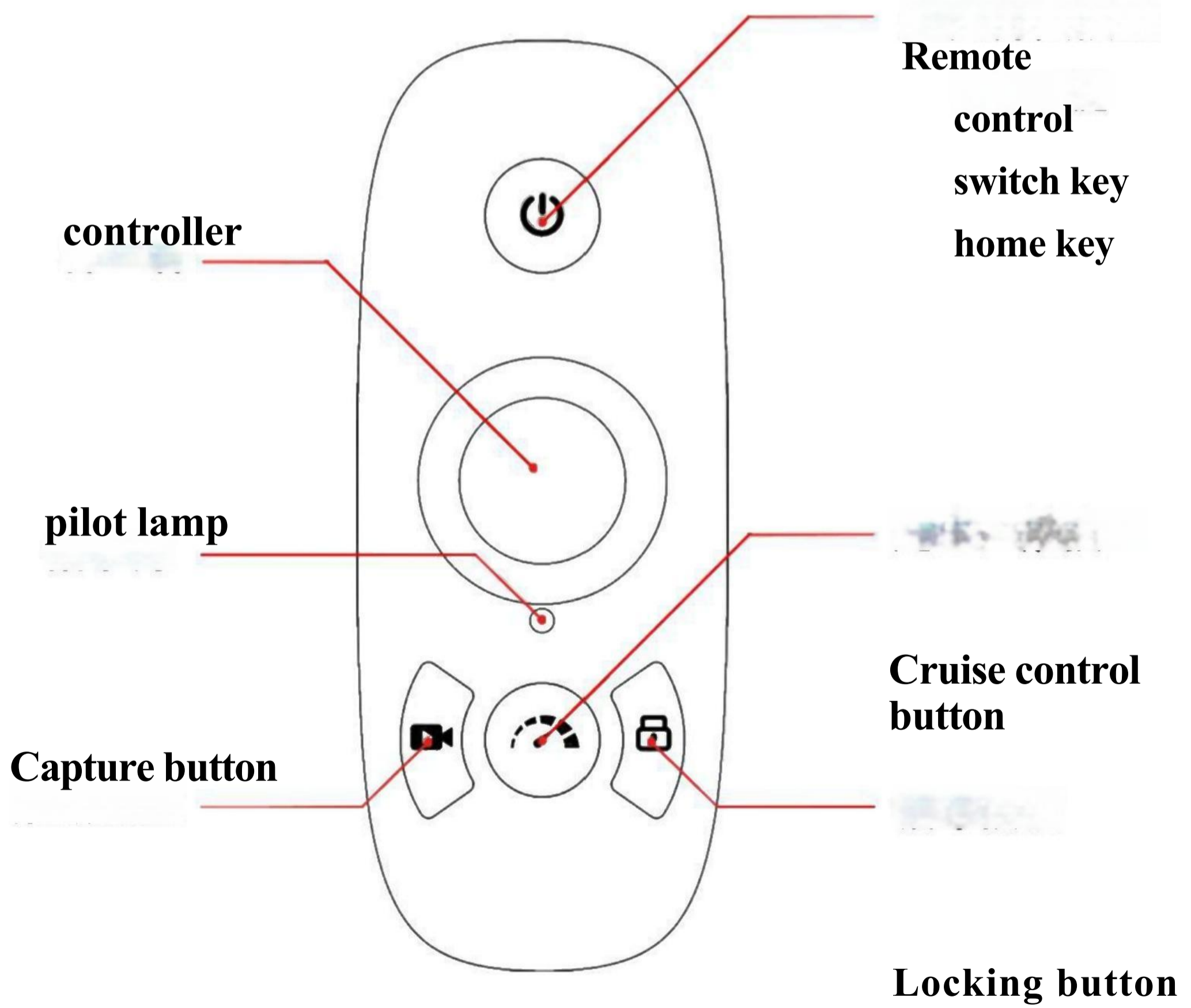
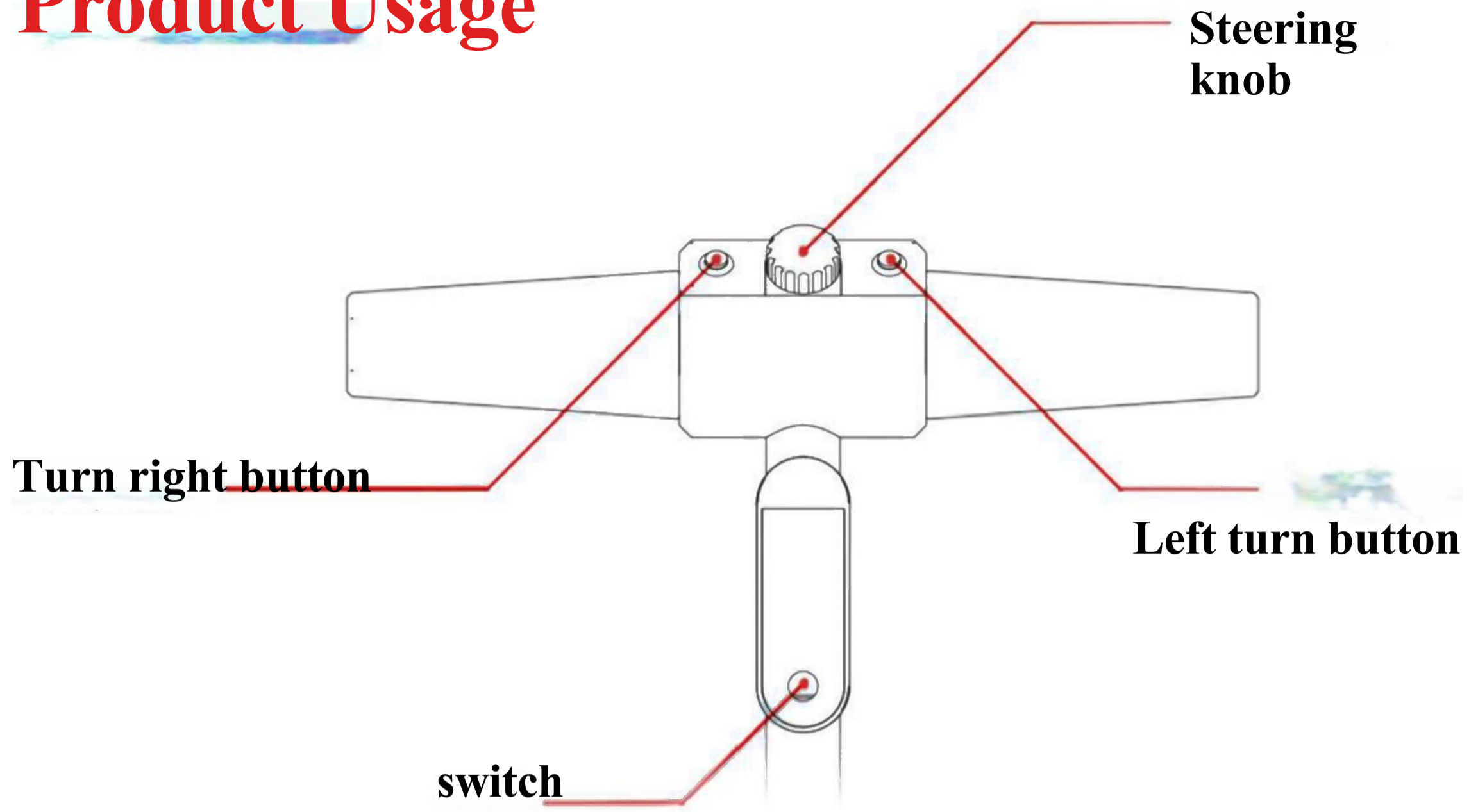
16. Bluetooth

17. Push mode

18. Video

19. Fault light

5. Product Usage

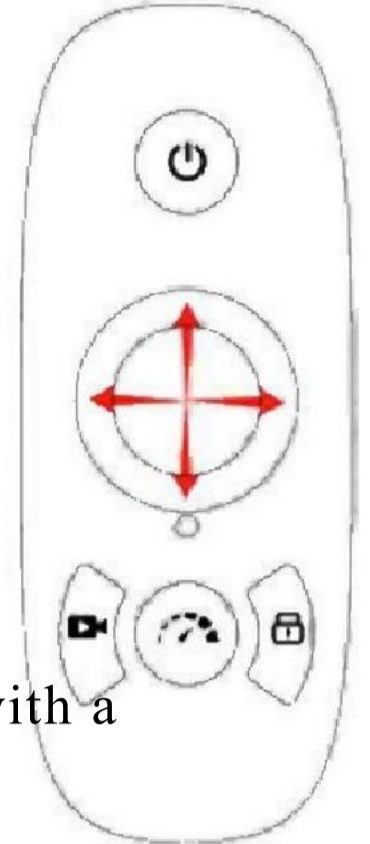


6. Product Features



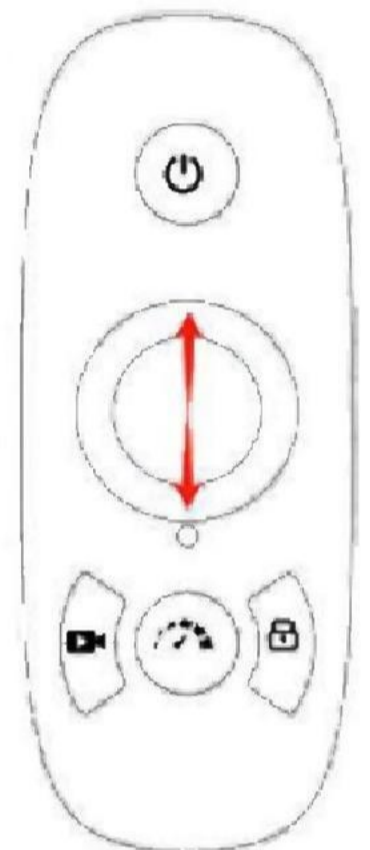
Remote control mode:

- a. The remote control connects to the vehicle via Bluetooth, with a maximum range of 70 meters at current power settings.
- b. Circular remote control for easy 360-degree control
- c. The remote-controlled acceleration can be adjusted, with a maximum remote-controlled speed of 7 km/h.



Cruise control mode:

- a. Press the cruise control button located below the remote control to activate Cruise Control Mode 1. The status indicator light will remain blue. Push the throttle lever forward to accelerate to Mode 2, where the indicator light will flash slowly in blue. Further forward movement will engage Mode 3, with the indicator light flashing rapidly in blue. Pushing the lever backward will downshift the vehicle.



- b. During cruise control operation, pressing the Home button or cruise control button will exit the cruise control mode and automatically switch to remote control mode to prevent coasting.
- c. The cruise control speed ranges from 1 to 7 km/h and is adjustable.



Boost mode:

- a. The push mode can be activated by turning the knob at the front of the vehicle. Turning the knob clockwise accelerates the vehicle, with a speed range of 1–7 km/h.
- b. The buttons on both sides of the knob can control left and right steering.
- c. To exit the boost mode, press the knob or press the home button on the remote control to remotely deactivate the boost function.

Push mode:

- a. Easily switch between push modes
- b. Remove one section of the quick-release motor wheel to disconnect it from the motor, allowing easy vehicle propulsion.

7. APP Introduction



(Android/IOS)



Click to connect and enter the main interface

The search results



Display current speed

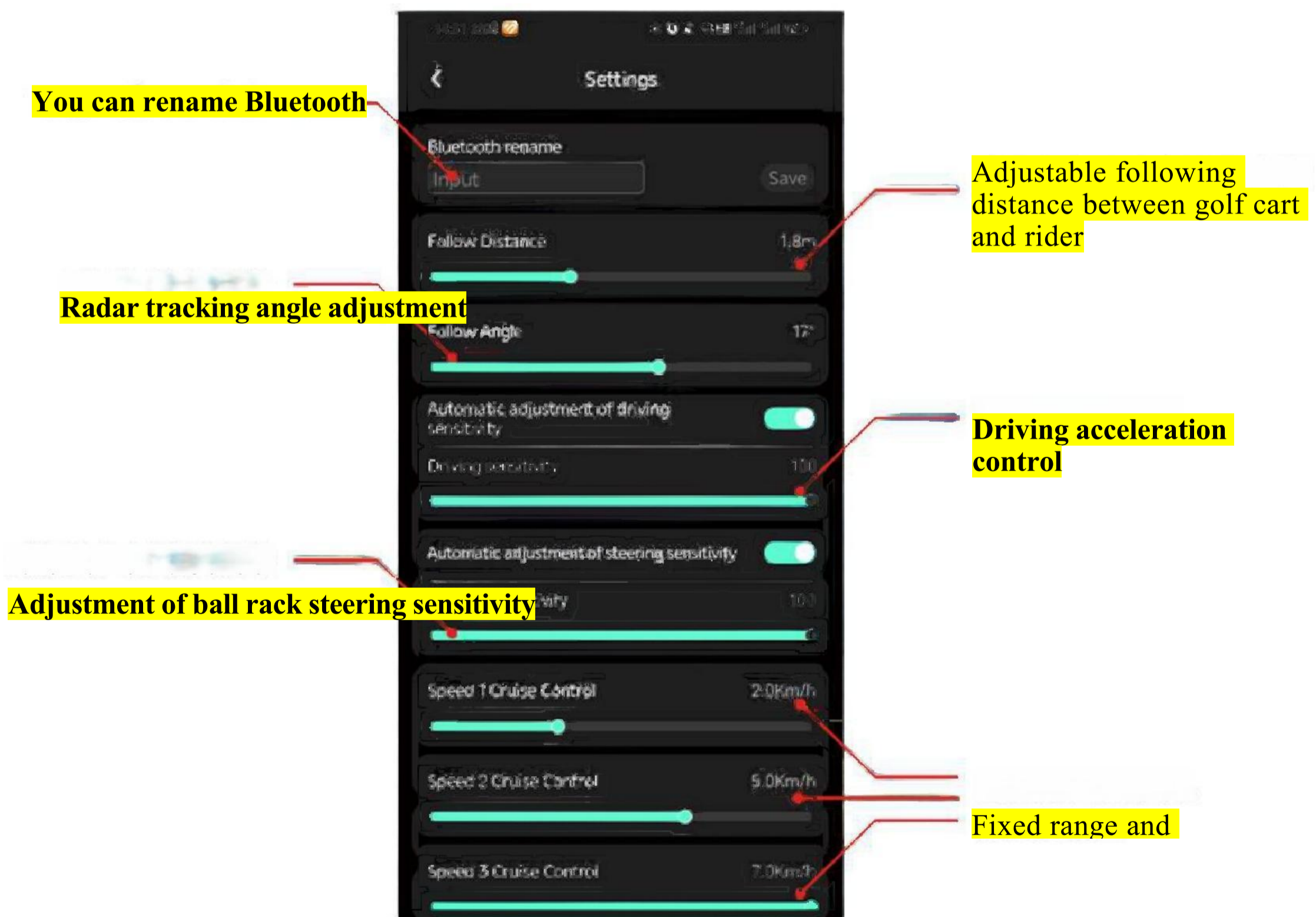
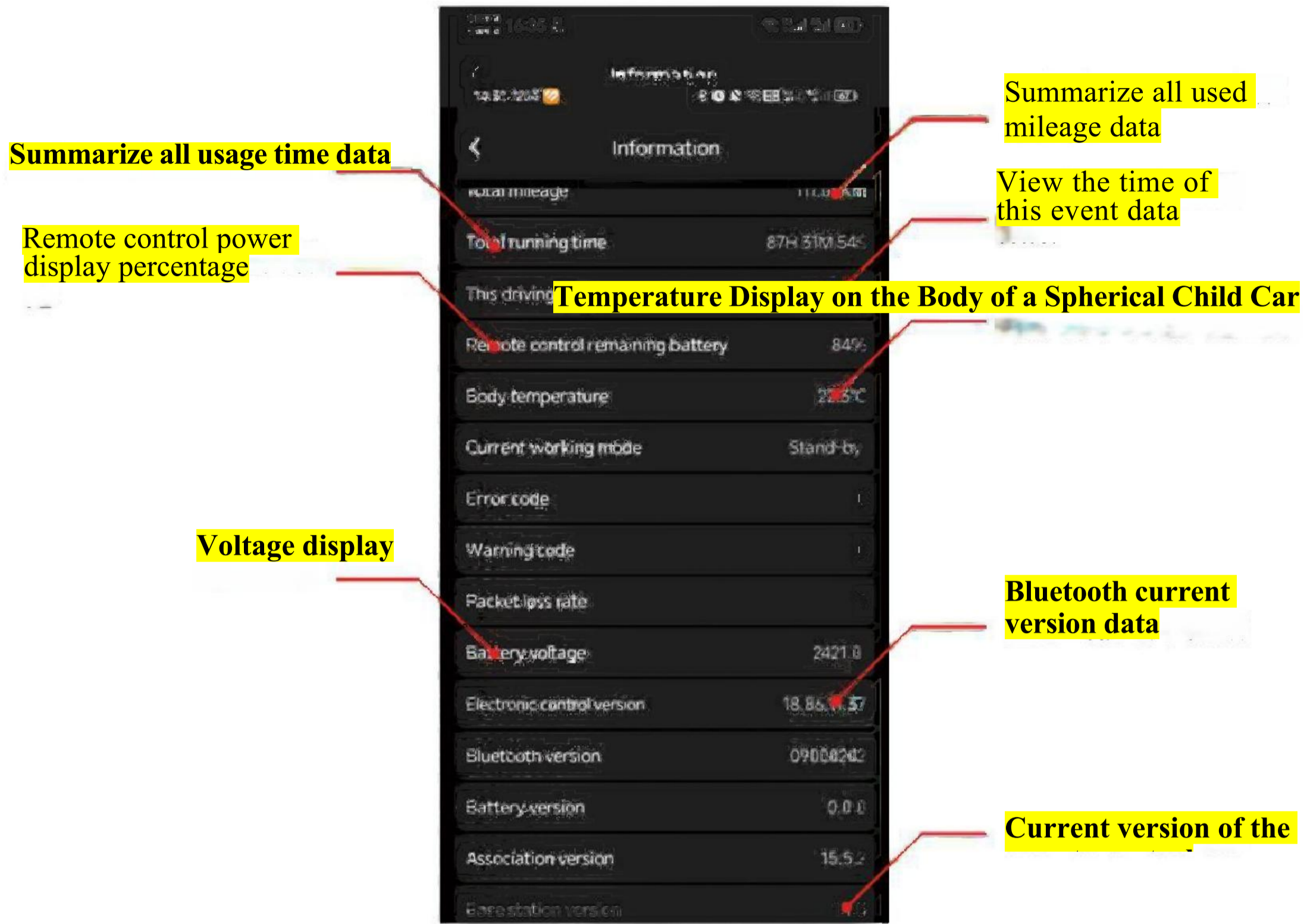
Display battery storage data percentage

Remote control pairing and battery display of remote control

Video recording is available

View stored photos

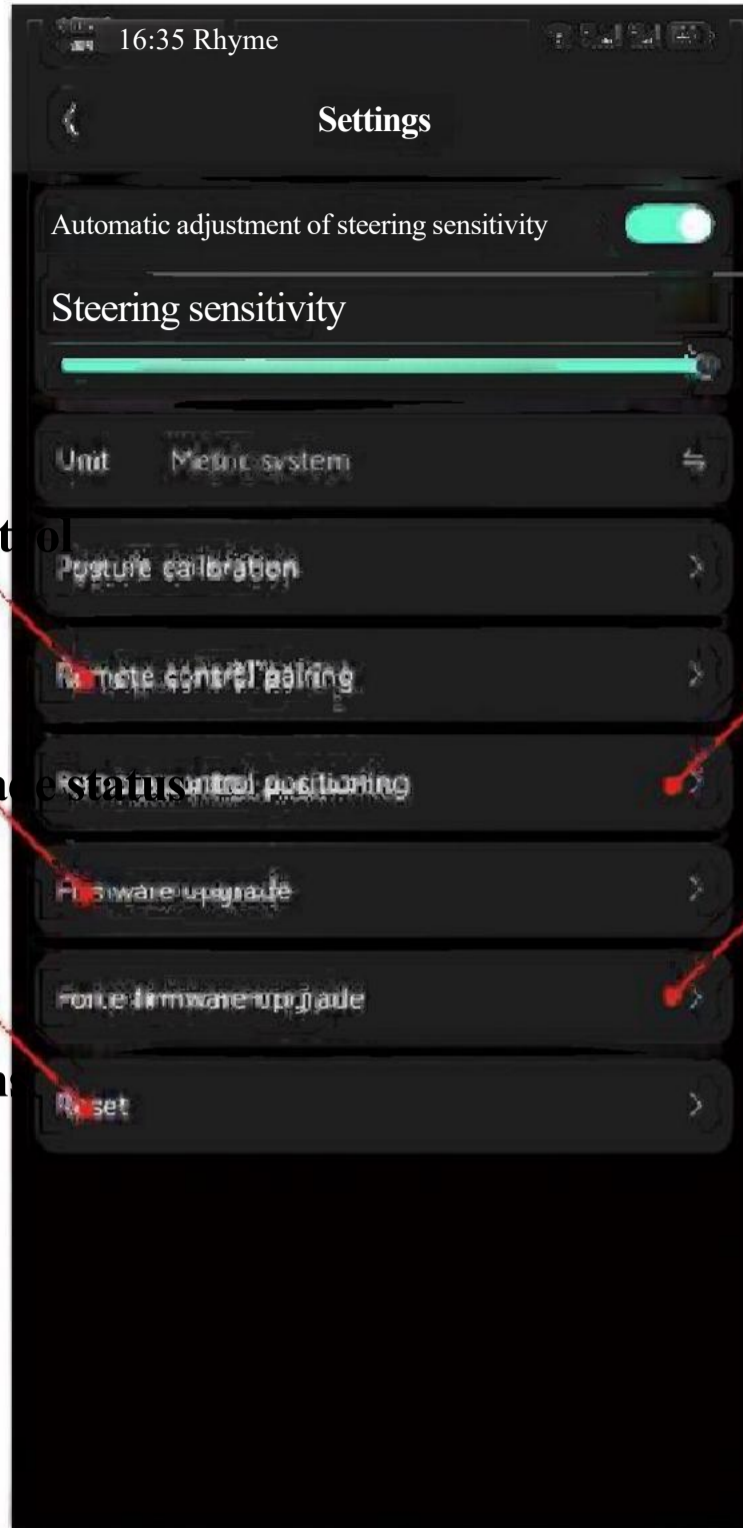
View different data parameters



Pair the ball car with the remote control

You can check the firmware upgrade

Reset software settings option



Remote Positioning of a Spherical Caddie Cart

The forced firmware upgrade option can provide exceptions for firmware upgrades.



APP joystick

8. Product Specifications

Product Name	control range
Foldable	Battery charging time
Size	Remote control range,
Expand size	Hill-climbing capability,
Unfolded size 	Remote control speed,
Packaged size	Material composition,
Battery size	Driving mode, Control
Battery weight	mode, APP interface,
Net weight	Storage method
/ Gross	
weight	
Weight	
after quick	
disassembl	
y Number	
of wheels	
Front wheel type	
Removable	
battery,	
cruising	
speed	
Motor	
power,	
Battery	
specificat	
ions,	
Battery	
range,	
Remote	

G	2	Ah, 36
l	7	holes
	8	54 holes
E	*	The remote control lasts
l	6	approximately 3.5 hours, and the
e	1	battery lasts about 4 hours with
c	1	70M battery capacity.
t	*	20°
r	6	2~7 km/h (adjustable)
i	4	ABS+PC, aluminum alloy,
c	M	nylon, rubber, rear-wheel
	M	drive
G		Push, Boost, Cruise Control,
o		Remote Control for
l	1	Android/iOS
f	.	Foldable & quick-release (motorized
	5	wheels, auxiliary legs, battery)
C	K	
a	G	
r	14.9KG	
t	10.35KG	
	5	
9	Dual swivel casters	
0	yes	
0	1KM/H~7KM/H	
*	Brushless motor 80W*2	
6	2	
0	5	
0	.	
m	2	
m	V	
900*600*11	,	
60MM	7	
620*590*30		
MM		
665*600*40	.	
0MM	8	

9 Product Warranty

The G1 ball cart and charger come with a 12-month warranty from the date of purchase. This warranty covers manufacturing defects arising from normal use and is exclusively applicable to new G1 ball carts. Braking incidents caused by accidental damage, misuse, or improper operation are not covered. The warranty is non-transferable. Unless otherwise specified, used carts are not eligible for warranty coverage.

The cart battery is covered by a 12-month warranty. If the battery fails within the first 12 months, it will be replaced free of charge. All accessories are covered by a 12-month warranty from the date of purchase.

If you require warranty-covered services, please contact us. Keep your sales receipt or packing list as proof of purchase. Our after-sales team will diagnose the issue and send replacement parts to you. Note that any parts replaced free of charge during the warranty period will not be eligible for new warranty coverage.

If the customer cannot replace the parts themselves, keep all original packaging materials to return the cart for repair. All carts must be returned in their original packaging. If replacement parts are required but not covered by warranty, the customer will bear all costs.

warn :

When operating the ball cart, it is essential to open the rear auxiliary wheel storage compartment and retract the auxiliary wheels when lifting. The ball cart possesses certain water-crossing capabilities, allowing safe use during light rainfall conditions. However, the handcart is not waterproof. If entering hazardous water bodies such as ponds or lakes, the battery and circuit board may be damaged. This incident is not covered under the warranty plan.

Precautions:

1. When using a cart, heavy objects must not be hung on the handle;
2. If insurmountable obstacles are encountered during use, remove the cart;

3. Manual assistance for pushing or pulling may be required when walking on steep slopes.

4. If the cart is not used during winter, remove the batteries and store them in an environment above 10°C to

Extend the service life of batteries.

This device complies with part 15 of the FCC Rules. Operation is subject to the following two conditions: (1) This device may not cause harmful interference, and (2) this device must accept any interference received, including interference that may cause undesired operation.

NOTE: This equipment has been tested and found to comply with the limits for a Class B digital device, pursuant to Part 15 of the FCC Rules. These limits are designed to provide reasonable protection against harmful interference in a residential installation. This equipment generates, uses and can radiate radio frequency energy and, if not installed and used in accordance with the instructions, may cause harmful interference to radio communications. However, there is no guarantee that interference will not occur in a particular installation. If this equipment does cause harmful interference to radio or television reception, which can be determined by turning the equipment off and on, the user is encouraged to try to correct the interference by one or more of the following measures:

- Reorient or relocate the receiving antenna.
- Increase the separation between the equipment and receiver.
- Connect the equipment into an outlet on a circuit different from that to which the receiver is connected.
- Consult the dealer or an experienced radio/TV technician for help.

Changes or modifications not expressly approved by the party responsible for compliance could void the user's authority to operate the equipment.

This equipment complies with the FCC RF radiation exposure limits set forth for an uncontrolled environment. This equipment should be installed and operated with a minimum distance of 20cm between the radiator and any part of your body.