

Questions, problems, missing parts? Before returning to your retailer, call our customer service department at 1-800-660-5391, 8 a.m. - 6 p.m., EST, Monday, 8 a.m. - 5 p.m., EST, Friday.

FIVE-YEAR LIMITED WARRANTY

If, during normal use, this PATRIOT LIGHTING lighting fixture breaks or fails due to a defect in material and workmanship within five (5) years from the date of original purchase, simply bring this light fixture with the original sales receipt back to your nearest MENARDS retail store. At its discretion, PATRIOT LIGHTING agrees to have the product or any defective part(s) repaired or replaced with the same or similar PATRIOT LIGHTING product or part free of charge, within the stated warranty period, when returned by the original purchaser with original sales receipt. This warranty; (1) excludes expendable parts including but not limited to light bulbs; (2) does not cover damage that has resulted from abuse or misuse; and (3) does not cover any losses, labor, injuries to persons/property or costs. This warranty does give you specific legal rights and you may have other rights, which vary from state to state. See inside installation instruction for full terms and conditions

SAFETY INFORMATION

Please read and understand this entire manual before attempting to assemble operate or install the product.

WARNING

- **RISK OF ELECTRIC SHOCK** - Prior to installation of this fixture or removal of a previous fixture, disconnect the power by turning off the circuit breaker or by removing the fuse at the fuse box.
- **RISK OF FIRE** - Use bulbs specified by the marking and/or labels on the fixture. Consult a qualified electrician to ensure correct branch circuit conductor.
- This product must be installed in accordance with the applicable installation code by a person familiar with the construction and operation of the product and hazards involved.

CAUTION

- Read all instructions before installing.
- Consult a qualified electrician for installation of this fixture.
- Turn off the fixture before replacing the bulb(s)

CARE AND MAINTENANCE

Wipe clean using soft, dry cloth or static duster. Always avoid using harsh chemicals and abrasives to clean fixture as they may damage the finish.

TROUBLESHOOTING

PROBLEM	POSSIBLE CAUSE	CORRECTIVE ACTION
Bulb will not light.	<ol style="list-style-type: none">1. Bulb is burnt out2. Power is off3. Faulty wire connection4. Faulty switch	<ol style="list-style-type: none">1. Replace light bulb2. Check power supply3. Check wiring4. Test or replace switch
Fuse blows or the circuit breaker trips when light is turned on.	There are too many items on one circuit	Unplug the other items on the circuit

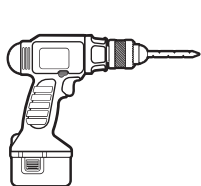
PRE-INSTALLATION

PREPARATION

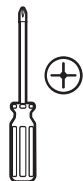
To avoid damaging the product, assemble it on a soft, non-abrasive surface, such as carpet or cardboard. Inspect each part for defects such as the wire insulation for any cuts, abrasions, or exposed copper that may have occurred during shipping. If there is a defect in the wire, do not continue the assembly process.

Estimated Assembly Time: 45-60 minutes

TOOLS REQUIRED



Drill



Phillips
screwdriver

HARDWARE INCLUDED

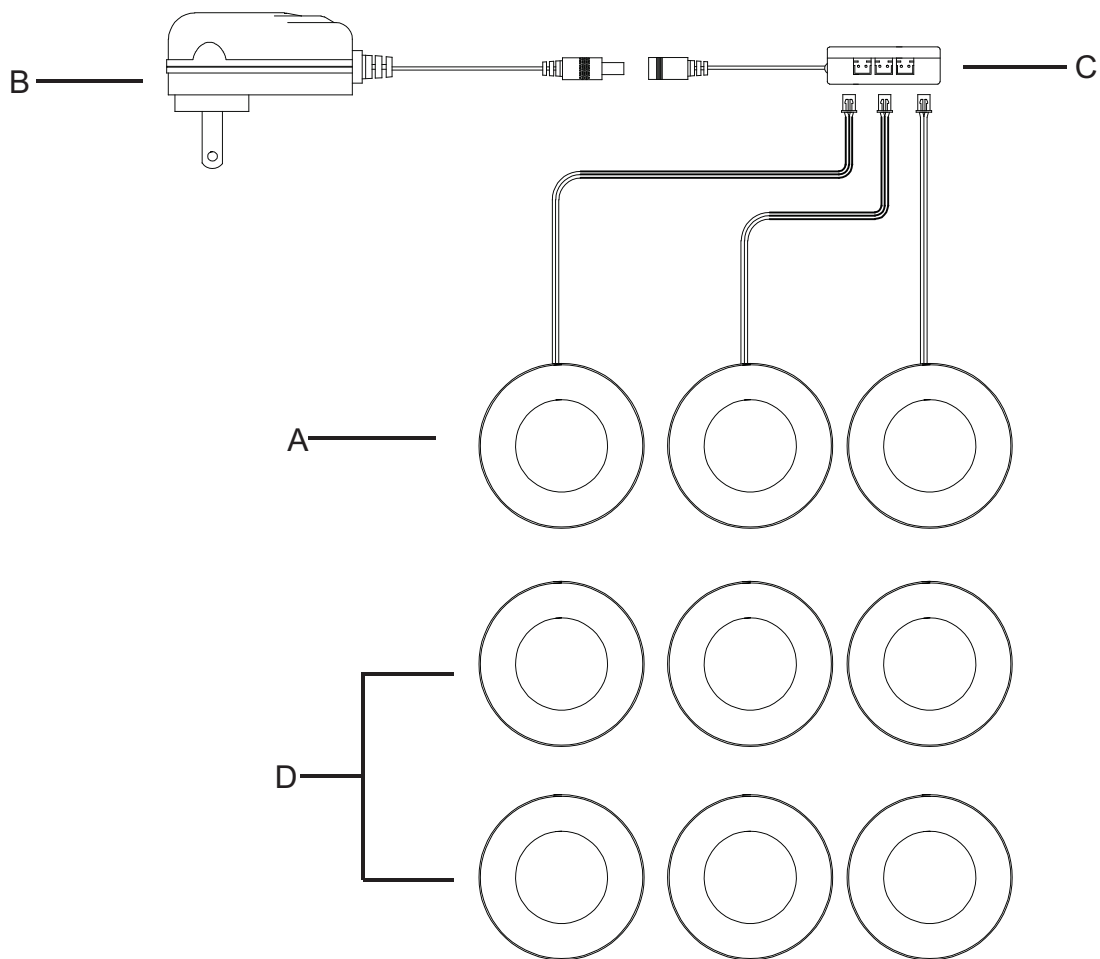


Note: Hardware not shown to actual size



PART	DESCRIPTION	QUANTITY
AA	Screw	6

PRE-INSTALLATION

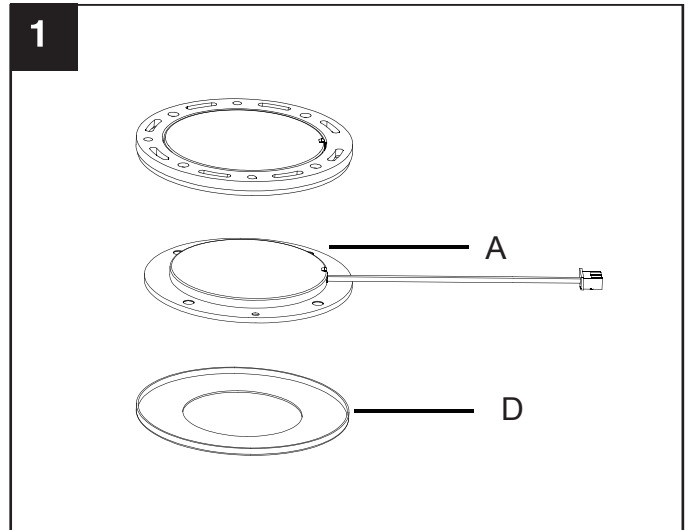


PART	DESCRIPTION	QUANTITY
A	Puck Light	3
B	Plug in Power Supply	1
C	Port Adapter	1
D	Trim	9

ASSEMBLY INSTRUCTIONS - RECESSED MOUNTING

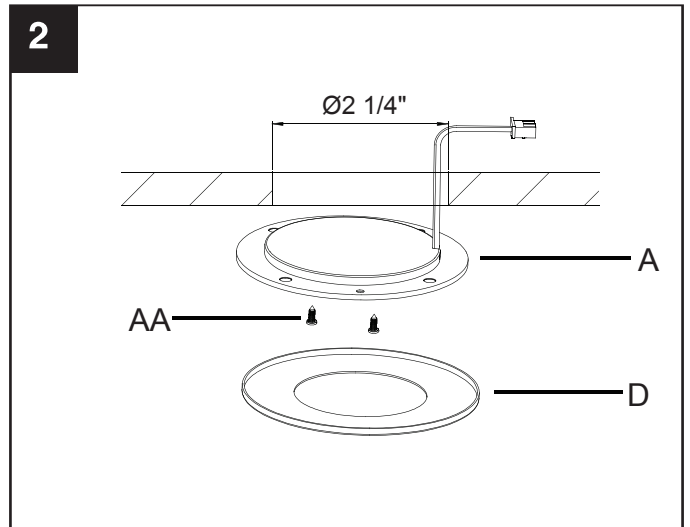
RECESSED MOUNTING

1. Carefully remove the trim (D) and mount plate from the puck light (A).



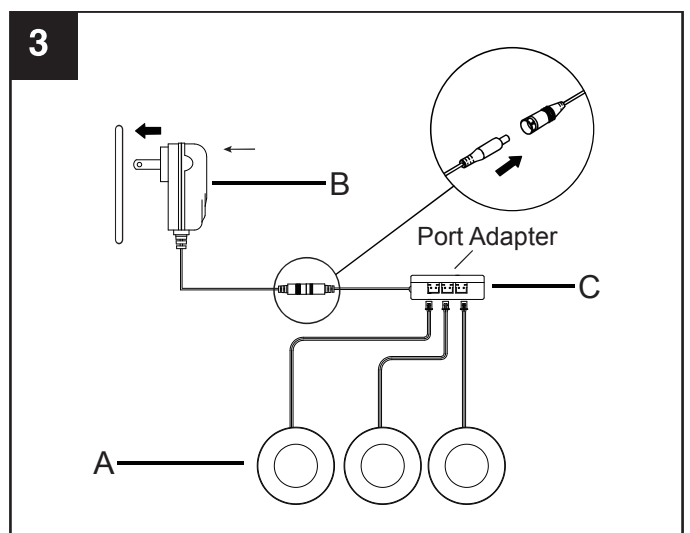
2. Drill a 2 1/4" hole in the mounting surface.

Run the wires through the cut hole and then secure the puck light (A) to mounting surface with screws (AA) provided.



3. Insert the plug in power supply (B) into a 120V power outlet.

Plug the wire of puck light (A) into port adapter (C).

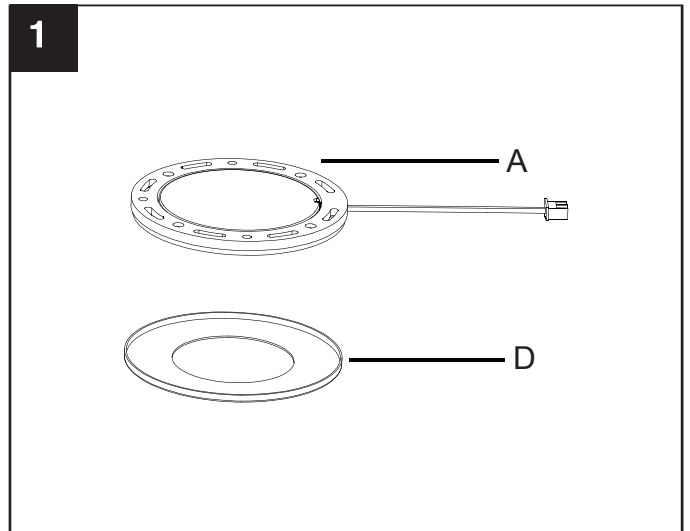


ASSEMBLY INSTRUCTIONS - SURFACE MOUNTING

SURFACE MOUNTING

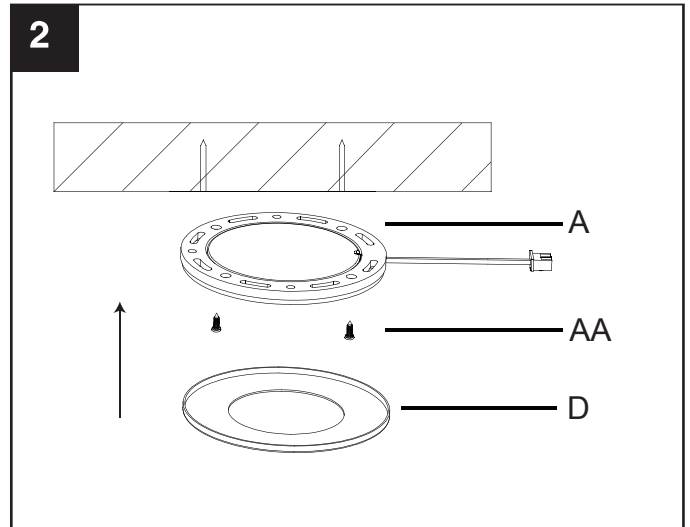
1. Drill a minimum of two 1/8in. holes in the mounting surface above the position of each fixture to provide ventilation.

Carefully remove the trim (D) from the puck light (A).



2. Install the puck light (A) using the screws (AA) provided.

Snap the trim (D) onto the puck light (A), be sure to pull the excess wire through and insert into the notches to prevent pinching and bunching.



3. Insert the plug in power supply (B) into a 120V power outlet.

Plug the wire of puck light (A) into port adapter (C).

