

VEVOR[®]

TOUGH TOOLS, HALF PRICE

Technical Support and E-Warranty Certificate
www.vevor.com/support

Electrical Enclosure Product Description

Material: SUS304 / Cold Rolled Steel

We continue to be committed to provide you tools with competitive price.

"Save Half", "Half Price" or any other similar expressions used by us only represents an estimate of savings you might benefit from buying certain tools with us compared to the major top brands and does not necessarily mean to cover all categories of tools offered by us. You are kindly reminded to verify carefully when you are placing an order with us if you are actually saving half in comparison with the top major brands.

VEVOR[®]

TOUGH TOOLS, HALF PRICE

Electrical Enclosure



Material: SUS304



Material: Cold Rolled Steel

NEED HELP? CONTACT US!

Have product questions? Need technical support? Please feel free to contact us:

Technical Support and E-Warranty Certificate
www.vevor.com/support

This is the original instruction, please read all manual instructions carefully before operating. VEVOR reserves a clear interpretation of our user manual. The appearance of the product shall be subject to the product you received. Please forgive us that we won't inform you again if there are any technology or software updates on our product.



Warning-To reduce the risk of injury, user must read instructions manual carefully.

MATTERS NEED ATTENTION

Warning

Enclosure enclosure/Cabinet is only coating but NOT insulated. ONLY a qualified electrician could deal with the inside circuits and electrical parts. Warning Labels or other signs could be posted according to relative laws or codes if necessary.

DO NOT Permit children to play with this item.

The Electrical Enclosure enclosure could be waterproof ONLY all the holes have been sealed by a soft gasket or plug. For the holes cut by customer, please use an IP66 Grade Gasket or equivalent parts to keep waterproof. This item MUST BE GROUNDED. Please refer to the "Body installation-Assembly the earth wire".

Tips

Any damage on the finish coating could lead to rust, and tiny surface damage could be repaired by re-painting. But it is not recommended when painting on large scale damages.

The working temperature should be lower than 80°C, otherwise, it could lead to damage to the painting surface and the failure of sealing.

FEATURES OF PRODUCTS

- PU foaming sealing strip ensures a protection grade of IP66 to enclosure body.
- Bosses of various types and sizes allow easy installation of inlet/outlet lines.
- Galvanized mounting plate can also be used for wiring outside the enclosure.
- Multiple protection grooves are designed at the enclosure opening that can not only reinforce the structure but also prevent the entry of dirt or water when the door is opened.
- Professional lock system with double-teeth cylinder allows easy locking/unlocking.

SPECIFICATION DATA

Color	Stainless Steel Color/RAL7035(White Gray)
Body Material	SUS304/Cold Rolled Steel
Inner plate	2.0mm Galvanized Plate
Finish	Powder Coating
Construction	Continuously Welded
Ambient Temperature	-40~+55°C
Gasket Material	Seamless Foam/Nylon(washers or plugs)
Certification	CE ROHS
Ratings	NEMA 4/NEMA 4X
Protection Grade	IP66 IK10

Model	Height*Width*Depth (mm)	Material
SP-B3-252010	250*200*100	SUS304
SP-B3-302015	300*200*150	
SP-B3-302515	300*250*150	
SP-B3-303020	300*300*200	
SP-B3-403015	400*300*150	
SP-B3-403020	400*300*200	
SP-B3-403025	400*300*250	
SP-B3-404020	400*400*200	
SP-B3-504020	500*400*200	
SP-B3-605020	600*500*200	
SPT-202015	200*200*150	Cold Rolled Steel
SPT-252015	250*200*150	
SPT-302015	300*200*150	
SPT-302020	300*200*200	
SPT-302515	300*250*150	
SPT-303015	300*300*150	
SPT-303020	300*300*200	
SPT-403015	400*300*150	
SPT-403020	400*300*200	
SPT-404015	400*400*150	
SPT-404020	400*400*200	
SPT-503025	500*300*250	
SPT-504015	500*400*150	
SPT-504020	500*400*200	
SPT-504025	500*400*250	
SPT-505015	500*500*150	
SPT-604025	600*400*250	
SPT-604030	600*400*300	
SPT-606020	600*600*200	
SPT-606030	600*600*300	
SPT-705025	700*500*250	

INSTALLATION STEPS

A: Mounting Plate Installation

Adopts 4pcs M8 hex head flange nut assembly mounting plate with enclosure body. See Figure 1.

Notice: already assembled on enclosure body when ex-factory.

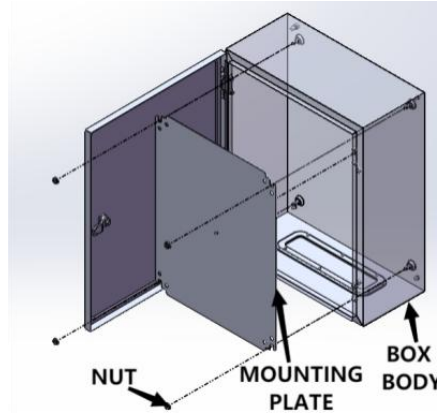


Figure 1

B: Bottom Sealing Plate Installation

Adopts M5*10mm cross self-tapping screws assembly sealing washer, bottom sealing plate with enclosure body. See Figure 2.

According to your usage requirement to mount it or not.

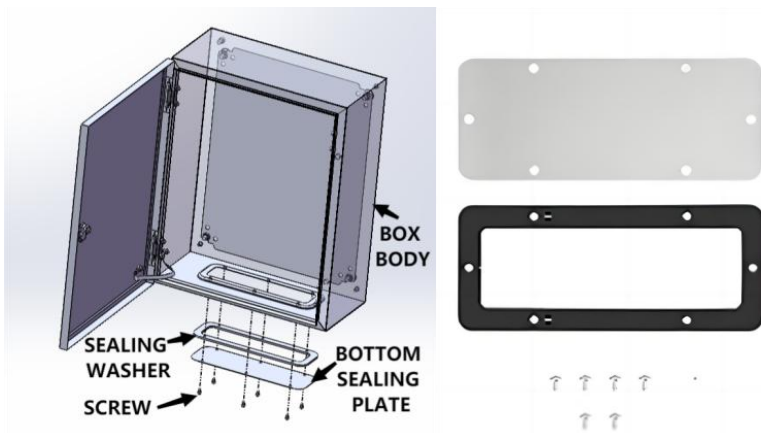


Figure 2

C:Wall Mounting Brackets Installation

Adopts 4pcs M8*16mm hex head bolt,M8 O-ring,M8 nuts mounting 4pcs wall mounting brackets on the wall.See Figure 3.

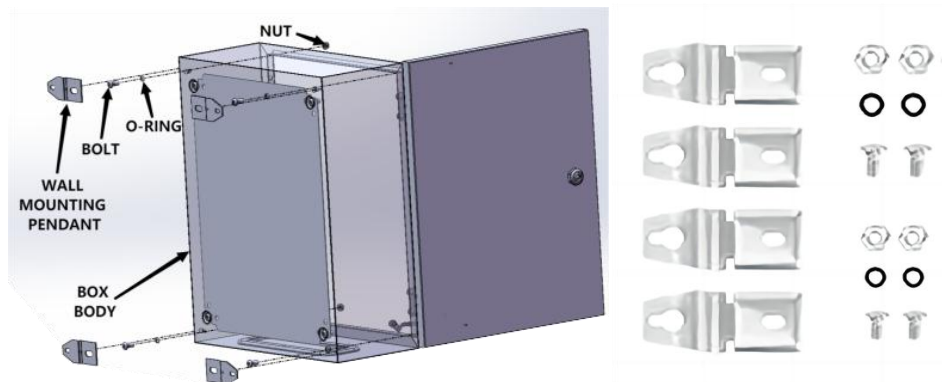


Figure 3

D:Grounding Wire Installation

Adopts 2pcs M6 hex head flange nut assembly grounding wire on M6*12mm copper bolt of enclosure do or and enclosure body. See Figure 4.

Notice:already assembled on enclosure body when ex-factory.

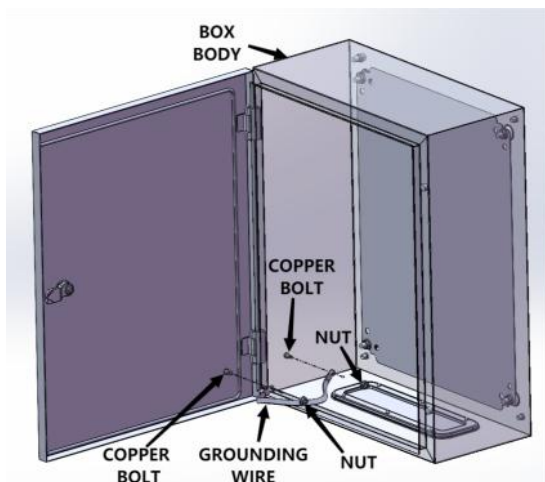


Figure 4

E:Enclosure Door Installation

Adopts 1pcs M6*12mm flat head cross screw,M6 O-ring, M6 hex head flange nut assembly hinge on enclosure body, Adopts fixed pin assembly enclosure do or on hinge. See Figure 5.

Notice:Enclosure door already assembled on enclosure body when ex-factory.

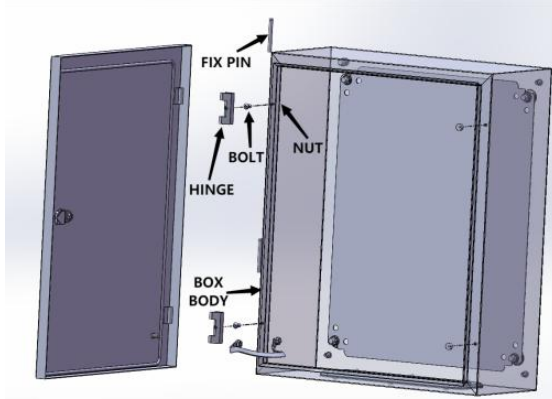


Figure 5

F:Door Lock Installation

Adopts lock nuts assembly enclosure lock on enclosure door.
Adopts matched key to meet enclosure door door opening and closing.
See Figure 6.

Notice:already assembled on enclosure body when ex-factory.

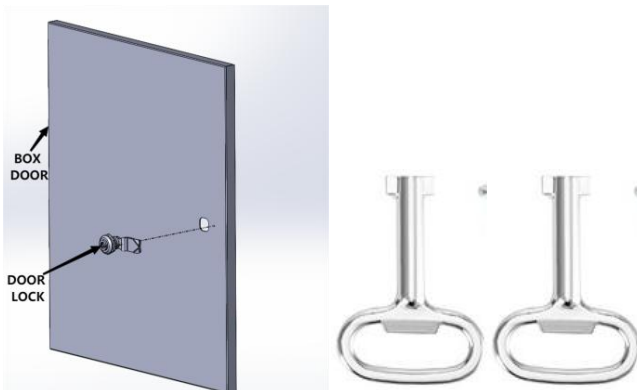


Figure 6

Warning:when locking the enclosure door,please turn lock core 90° from vertical direction to horizontal direction,make sure to meet best protection level.

Manufacturer: Shanghaimuxinmuyeyouxiangongsi

Address: Baoshanqu Shuangchenglu 803long 11hao 1602A-1609shi Shanghai

Imported to AUS: SIHAO PTY LTD. 1 ROKEVA STREETEASTWOOD NSW 2122 Australia

Imported to USA: Sanven Technology Ltd. Suite 250. 9166 Anaheim Place, Rancho Cucamonga, CA 91730



SHUNSHUN GmbH

Römeräcker 9 Z2021, 76351

Linkenheim-Hochstetten, Germany

euvertreter@gmail.com

Tel: +49 1727041930



Pooledas Group Ltd

Unit 5 Albert Edward House, The

Pavilions Preston, United Kingdom

pooledas123@gmail.com

Tel: 01772418127

Made In China

VEVOR[®]

TOUGH TOOLS, HALF PRICE

Technical Support and E-Warranty Certificate

www.vevor.com/support