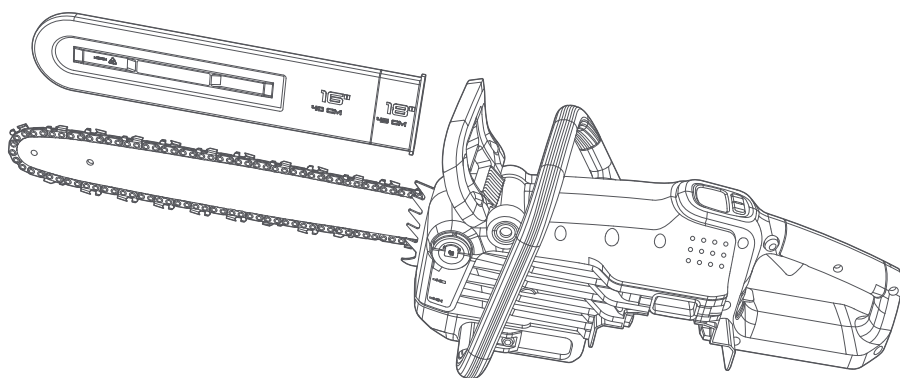


MOVA



60V 45cm Brushless Chainsaw

Model Number: GC618 / GC618X

User Manual

⚠ WARNING: Thoroughly read and understand the manual before using this product. Save this user manual for future reference.

○ Images are for reference only. Actual appearance may vary.

Table of Contents

1 Safety Instructions.....	4
2 Product Introduction	10
3 Assembly	13
4 Operation	16
5 MOVAhome App	24
6 Maintenance	25
7 Troubleshooting	28
8 Specifications.....	30

1 Safety Instructions

1.1 General Power Tool Safety Warnings

⚠ WARNING: Read all safety warnings, instructions, illustrations and specifications provided with this power tool. Failure to follow all instructions listed below may result in electric shock, fire and/or serious injury.

Save all warnings and instructions for future reference.

The term "power tool" in the warnings refers to your mains-operated (corded) power tool or battery-operated (cordless) power tool.

1.1.1 Work Area Safety

- **Keep work area clean and well lit.** Cluttered or dark areas invite accidents.
- **Do not operate power tools in explosive atmospheres, such as in the presence of flammable liquids, gases or dust.** Power tools create sparks which may ignite the dust or fumes.
- **Keep children and bystanders away while operating a power tool.** Distractions can cause you to lose control.

1.1.2 Electrical Safety

- **Power tool plugs must match the outlet. Never modify the plug in any way. Do not use any adapter plugs with earthed (grounded) power tools.** Unmodified plugs and matching outlets will reduce risk of electric shock.
- **Avoid body contact with earthed or grounded surfaces, such as pipes, radiators, ranges and refrigerators.** There is an increased risk of electric shock if your body is earthed or grounded.
- **Do not expose power tools to rain or wet conditions.** Water entering a power tool will increase the risk of electric shock.
- **Do not abuse the cord. Never use the cord for carrying, pulling or unplugging the power tool. Keep cord away from heat, oil, sharp edges or moving parts.** Damaged or entangled cords increase the risk of electric shock.
- **When operating a power tool outdoors, use an extension cord suitable for outdoor use.** Use of a cord suitable for outdoor use reduces the risk of electric shock.
- **If operating a power tool in a damp location is unavoidable, use a residual current device (RCD) protected supply.** Use of an RCD reduces the risk of electric shock.

1.1.3 Personal Safety

- **Stay alert, watch what you are doing and use common sense when operating a power tool. Do not use a power tool while you are tired or under the influence of drugs, alcohol or medication.** A moment of inattention while operating power tools may result in serious personal

injury.

- **Use personal protective equipment. Always wear eye protection.**

Protective equipment such as a dust mask, non-skid safety shoes, hard hat or hearing protection used for appropriate conditions will reduce personal injuries.

- **Prevent unintentional starting. Ensure the switch is in the off-position before connecting to power source and/or battery pack, picking up or carrying the tool.** Carrying power tools with your finger on the switch or energising power tools that have the switch on invites accidents.

- **Remove any adjusting key or wrench before turning the power tool on.** A wrench or a key left attached to a rotating part of the power tool may result in personal injury.

- **Do not overreach. Keep proper footing and balance at all times.** This enables better control of the power tool in unexpected situations.

- **Dress properly. Do not wear loose clothing or jewellery. Keep your hair and clothing away from moving parts.** Loose clothes, jewellery or long hair can be caught in moving parts.

- **If devices are provided for the connection of dust extraction and collection facilities, ensure these are connected and properly used.** Use of dust collection can reduce dust-related hazards.

- **Do not let familiarity gained from frequent use of tools allow you to become complacent and ignore tool safety principles.** A careless action can cause severe injury within a fraction of a second.

1.1.4 Power Tool Use and Care

- **Do not force the power tool. Use the correct power tool for your application.** The correct power tool will do the job better and safer at the rate for which it was designed.

- **Do not use the power tool if the switch does not turn it on and off.** Any power tool that cannot be controlled with the switch is dangerous and must be repaired.

- **Disconnect the plug from the power source and/or remove the battery pack, if detachable, from the power tool before making any adjustments, changing accessories, or storing power tools.** Such preventive safety measures reduce the risk of starting the power tool accidentally.

- **Store idle power tools out of the reach of children and do not allow persons unfamiliar with the power tool or these instructions to operate the power tool.** Power tools are dangerous in the hands of untrained users.

- **Maintain power tools and accessories. Check for misalignment or binding of moving parts, breakage of parts and any other condition that may affect the power tool's operation. If damaged, have the power tool repaired before use.** Many accidents are caused by poorly maintained power tools.

- **Keep cutting tools sharp and clean.** Properly maintained cutting tools with sharp cutting edges are less likely to bind and are easier to control.
- **Use the power tool, accessories and tool bits etc. in accordance with these instructions, taking into account the working conditions and the work to be performed.** Use of the power tool for operations different from those intended could result in a hazardous situation.
- **Keep handles and grasping surfaces dry, clean and free from oil and grease.** Slippery handles and grasping surfaces do not allow for safe handling and control of the tool in unexpected situations.

1.1.5 Battery Tool Use and Care

- **Recharge only with the charger specified by the manufacturer.** A charger that is suitable for one type of battery pack may create a risk of fire when used with another battery pack.
- **Use power tools only with specifically designated battery packs.** Use of any other battery packs may create a risk of injury and fire.
- **When battery pack is not in use, keep it away from other metal objects,** like paper clips, coins, keys, nails, screws or other small metal objects, that can make a connection from one terminal to another. Shorting the battery terminals together may cause burns or a fire.
- **Under abusive conditions, liquid may be ejected from the battery; avoid contact. If contact accidentally occurs, flush with water. If liquid contacts eyes, additionally seek medical help.** Liquid ejected from the battery may cause irritation or burns.
- **Do not use a battery pack or tool that is damaged or modified.** Damaged or modified batteries may exhibit unpredictable behaviour resulting in fire, explosion or risk of injury.
- **Do not expose a battery pack or tool to fire or excessive temperature.** Exposure to fire or temperature above 130°C (265°F) may cause explosion.
- **Follow all charging instructions and do not charge the battery pack or tool outside the temperature range specified in the instructions.** Charging improperly or at temperatures outside the specified range may damage the battery and increase the risk of fire.

1.1.6 Service

- **Have your power tool serviced by a qualified repair person using only identical replacement parts.** This will ensure that the safety of the power tool is maintained.
- **Never service damaged battery packs.** Service of battery packs should only be performed by the manufacturer or authorized service providers.

1.2 General Chainsaw Safety Warnings

- **Keep all parts of the body away from the saw chain when the chainsaw is operating. Before you start the chainsaw, make sure the**

saw chain is not contacting anything. A moment of inattention while operating chainsaws may cause entanglement of your clothing or body with the saw chain.

- **Always hold the chainsaw with your right hand on the rear handle and your left hand on the front handle.** Holding the chainsaw with a reversed hand configuration increases the risk of personal injury and should never be done.
- **Hold the chainsaw by insulated gripping surfaces only, because the saw chain may contact hidden wiring.** Saw chains contacting a “live” wire may make exposed metal parts of the chainsaw “live” and could give the operator an electric shock.
- **Wear eye protection. Further protective equipment for hearing, head, hands, legs and feet is recommended.** Adequate protective equipment will reduce personal injury from flying debris or accidental contact with the saw chain.
- **Do not operate a chainsaw in a tree, on a ladder, from a rooftop, or any unstable support.** Operation of a chainsaw in this manner could result in serious personal injury.
- **Always keep proper footing and operate the chainsaw only when standing on fixed, secure and level surface.** Slippery or unstable surfaces may cause a loss of balance, or control of the chainsaw.
- **When cutting a limb that is under tension, be alert for spring back.** When the tension in the wood fibres is released, the spring loaded limb may strike the operator and/or throw the chainsaw out of control.
- **Use extreme caution when cutting brush and saplings.** The slender material may catch the saw chain and be whipped toward you or pull you off balance.
- **Carry the chainsaw by the front handle with the chainsaw switched off and away from your body. When transporting or storing the chainsaw, always fit the guide bar cover.** Proper handling of the chainsaw will reduce the likelihood of accidental contact with the moving saw chain.
- **Follow instructions for lubricating, chain tensioning and changing the bar and chain.** Improperly tensioned or lubricated chain may either break or increase the chance for kickback.
- **Cut wood only. Do not use chainsaw for purposes not intended. For example: do not use chainsaw for cutting metal, plastic, masonry or non-wood building materials.** Use of the chainsaw for operations different than intended could result in a hazardous situation.
- **Do not attempt to fell a tree until you have an understanding of the risks and how to avoid them.** Serious injury could occur to the operator or bystanders while felling a tree.
- **Follow all instructions when clearing jammed material, storing or servicing the chainsaw. Make sure the switch is off and the battery pack is removed.** Unexpected actuation of the chainsaw while clearing

jammed material or servicing may result in serious personal injury.

1.3 Causes and Operator Prevention of Kickback

- Kickback may occur when the nose or tip of the guide bar touches an object, or when the wood closes in and pinches the saw chain in the cut.
- Tip contact in some cases may cause a sudden reverse reaction, kicking the guide bar up and back towards the operator.
- Pinching the saw chain along the top of the guide bar may push the guide bar rapidly back towards the operator.
- Either of these reactions may cause you to lose control of the saw which could result in serious personal injury. Do not rely exclusively upon the safety devices built into your saw. As a chainsaw user, you should take several steps to keep your cutting jobs free from accident or injury.
- Kickback is the result of chainsaw misuse and/or incorrect operating procedures or conditions and can be avoided by taking proper precautions as given below:
 - Maintain a firm grip, with thumbs and fingers encircling the chainsaw handles, with both hands on the saw and position your body and arm to allow you to resist kickback forces. Kickback forces can be controlled by the operator, if proper precautions are taken. Do not let go of the chainsaw.
 - Do not overreach and do not cut above shoulder height. This helps prevent unintended tip contact and enables better control of the chainsaw in unexpected situations.
 - Only use replacement guide bars and saw chains specified by the manufacturer. Incorrect replacement guide bars and saw chains may cause chain breakage and/or kickback.
 - Follow the manufacturer's sharpening and maintenance instructions for the saw chain. Decreasing the depth gauge height can lead to increased kickback.











NOTE: Although all reasonable and necessary safety measures have been adopted in the design, production, and testing of this power tool to minimize potential risks, due to the inherent characteristics of mechanical products and the diversity of usage scenarios, there may still be residual risks that cannot be completely eliminated.

1.4 Symbols and Decals

This section explains the safety symbols and decals that appear in this manual and on the product. Understanding these markings is essential for safe and proper operation.

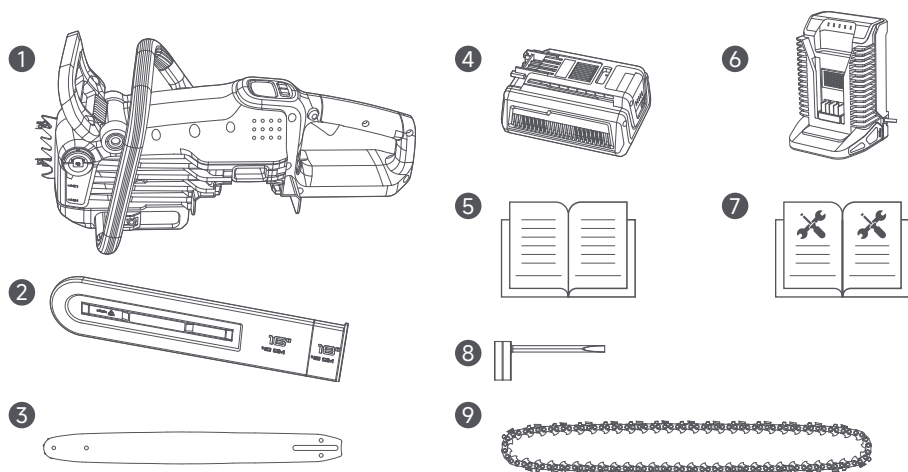


Indicates potential damage or personal injury hazard.

	To reduce the risk of injury, read and understand the User Manual before operating. Failure to do so may result in serious injury to the user and/or bystander.
	Wear goggles, and ear protection.
	Wear protective gloves.
	Wear sturdy boots with nonslip soles.
	Be aware of kickback. Contact of the guide bar tip with any object should be avoided.
	Always use both hands when operating the chainsaw.
	Do not use a guide bar longer than the maximum length indicated (450/406 mm). Using a longer bar may increase kickback risk, overload the motor, and compromise chain brake effectiveness.
IPX4	IP symbol
CE	European Conformity
	Regulatory compliance mark
EAC	Eurasian conformity
	Do not dispose of electrical products with household waste. Recycle through authorized facilities.
	Guaranteed sound power level. Noise emission to the environment according to the European community's Directive.

2 Product Introduction

2.1 What's in the Box



① Chainsaw

② Chain Sheath

③ Guide Bar*

④ Battery Pack*

⑤ User Manual

⑥ Charger*

⑦ Warranty Card

⑧ Double-end
Socket Wrench

⑨ Saw Chain*

*The actual accessories supplied may vary depending on the product model, sales region, production batch, or package configuration.

NOTE:

- Examine the tool and accessories listed above for any signs of shipping damage.
- If any part is missing or damaged, contact the retailer or MOVA Customer Service.
- Retain the packaging materials until you have fully inspected and tested the product.

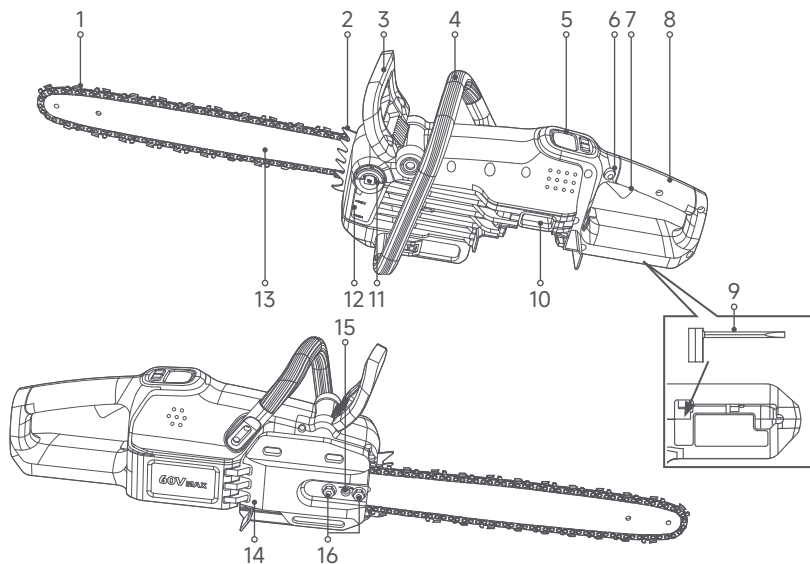
2.2 Recommended Accessories

⚠ WARNING: Use only the accessories listed below. Using non-approved accessories may result in poor performance or safety hazards.

Battery Pack	GBA625, GBA650
Charger	GCH606, GCH612

NOTE: For usage instructions of the battery pack and charger, please refer to the respective user manuals.

2.3 Product Overview



1	Saw Chain
2	Bucking Spikes
3	Chain Brake Lever
4	Front Handle
5	Control Panel
6	Lock-off Button
7	Trigger Switch
8	Rear Handle

9	Double-end Socket Wrench
10	Battery-release Button
11	Oil Tank Cap
12	Oil Level Window
13	Guide Bar
14	Side Cover
15	Chain-tensioning Bolt
16	Side Cover Nuts

2.4 Control Panel

This section introduces the tool's function buttons and the screen display that indicates the product status. Press any button to wake up the display screen.

NOTE: The screen turns off automatically if no operation is detected for 10 minutes.



Oil Pulse Button	Press to cycle through oil pulse mode.
Chain Speed Button	Press to cycle through chain speed levels.
Chain Brake Icon	Lights up when the chain brake lever is in the brake position; turns off when the chain brake lever is in the operation position.
Bluetooth Icon	Lights up when the tool is successfully connected via Bluetooth.
Oil Level Icon	Indicates the oil level. It remains steady when the oil level is sufficient, but turns red and flashes when refueling is required.
Oil Pulse Bar	Shows the current oil pulse mode.
AI OilPulse™ Icon	Lights up when AI Oilpulse mode is selected. In this mode, the oil output is automatically adjusted to match the cutting speed.
Battery Level Indicator	Displays the current battery level (%) when the screen is activated.
Battery Pack Icon	Lights up when the battery pack is properly installed and the display is on.
Power Indicator	Displays the current power output level of the tool.
Speed Mode Indicator	Indicates the current speed mode selected. 1=Low Speed; 2=Medium Speed; 3=High Speed
Error Icon	Lights up when a system malfunction is detected.
Error Code	Lights up when a system malfunction is detected. Refer to the displayed error code to troubleshoot the issue or contact Customer Service for help.

3 Assembly

This product is delivered partially assembled and requires additional assembly before use.

⚠ WARNING: To avoid accidental starting that may cause serious personal injury, always remove the battery pack before assembling or adjusting the tool.

⚠ WARNING: Do not assemble the tool if any parts are damaged or missing. Operating with damaged or missing parts may result in serious injury.

⚠ WARNING: Use only MOVA-approved accessories and parts. Unauthorized modifications or misuse may cause serious injury.

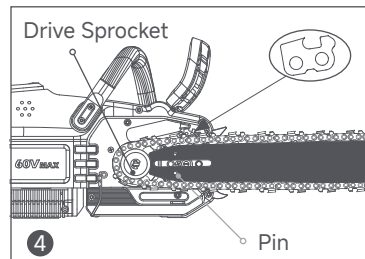
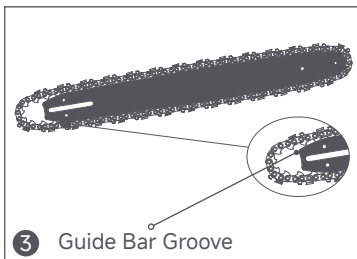
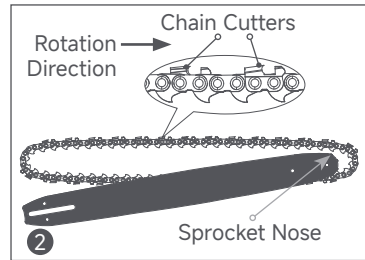
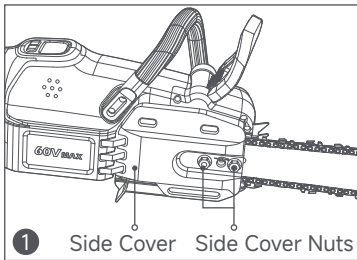
⚠ WARNING: Wear protective gloves to avoid injury from sharp chain teeth.

⚠ WARNING: Do not attempt to start the tool unless all components are securely installed.

⚠ WARNING: Remove all adjustment tools after installing or replacing parts.

3.1 Install the Guide Bar and Saw Chain

1. Loosen the side cover nuts using the socket wrench (supplied), then remove the side cover.
2. Lay the saw chain flat in a loop and straighten any twists or kinks.
3. Insert the chain drive links onto the sprocket nose first, then fit the chain into the guide bar groove, keeping a loop of chain at the rear of the guide bar.



⚠ WARNING: Ensure the chain cutters face the rotation direction. A reversed chain can cause malfunction and pose safety risks.

4. Hold the chain in place on the guide bar. Align the chain tensioner pin with the hole in the guide bar, then install the guide bar and loop the saw chain around the drive sprocket.

⚠ WARNING: Make sure the cutters point in the same direction as the directional symbol on the tool.

5. Use the flat end of the wrench to turn the chain-tensioning bolt clockwise to tension the chain until it does not slip out.

6. Reinstall the side cover and tighten the nuts by hand. Follow the steps below to properly adjust the chain tension, then tighten the side cover nuts securely using the socket wrench.

3.2 Adjust the Chain Tension

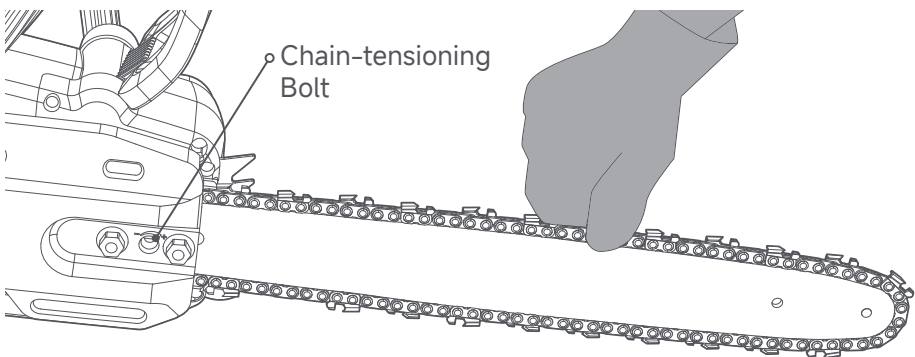
⚠ CAUTION: Always check that the chain is properly tensioned before use.

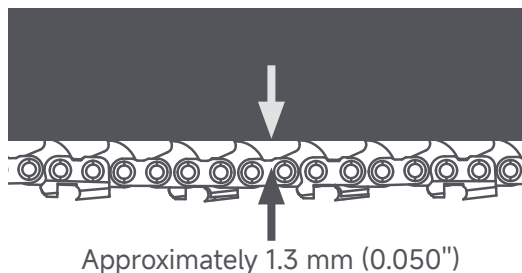
⚠ WARNING: Place the chainsaw on a stable, flat surface when adjusting the chain tension.

- Use the flat end of the wrench to turn the chain-tensioning bolt clockwise. The properly tensioned chain has no visible slack on the underside of the guide bar, fits snugly against the bar, and can still be turned freely by hand.

NOTE:

- New saw chains will stretch. Check the chain tension frequently when first used and tighten it when the chain becomes loose.
- During normal operation, the chain will heat up. A properly tensioned warm chain will have its drive links extending about 1.3 mm below the bar groove.
- A chain tightened while warm may become overly tight as it cools. Always check chain tension when the chain is cold, before the next use.





3.3 Fill the Oil Tank

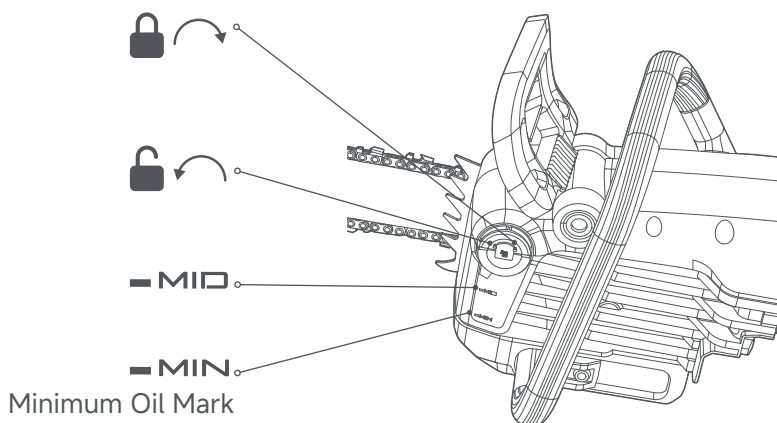
This chainsaw is **not** pre-filled with chain oil. You must fill the oil tank before first use. Refill the tank promptly when the oil level drops below the minimum mark or when the Oil Level icon on the display flashes red.

⚠ WARNING: Do not operate the chainsaw without chain oil or when the oil level is below the minimum mark. Doing so may damage the guide bar and chain.

⚠ WARNING: Always remove the battery pack before filling the oil tank to prevent accidental starting and serious injury.

⚠ WARNING: Keep oil and the chainsaw away from open flames or sparks. Do not smoke. Spilled oil may catch fire.

1. Place the chainsaw on a flat, stable surface with the oil level window facing upward.
2. Clean the oil cap and the surrounding area to prevent dirt from entering the oil tank. Then turn the cap counterclockwise to open it.
3. Slowly pour clean, chain-specific lubricant into the oil tank, taking care not to overfill or spill. Wipe off any excess oil.

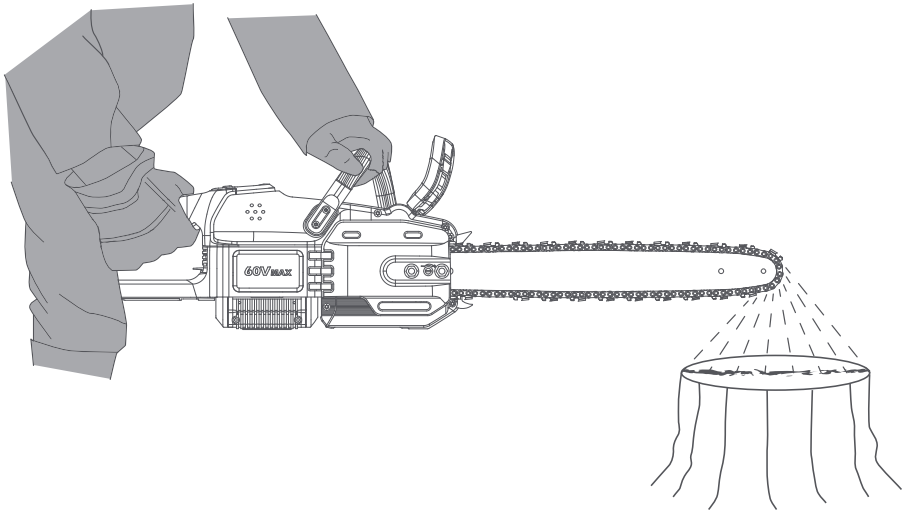


⚠ CAUTION: Using improper, dirty, used, or contaminated oil may clog or damage the lubrication system, cause premature wear, and significantly

reduce the service life of cutting components.

4. Tighten the oil cap clockwise.

5. Start the chainsaw (see **Section 4.2**). Hold the running chainsaw approximately 15 cm above the trunk or the ground. If the lubrication is sufficient, you will see a light oil trace.



4 Operation

Before each use, inspect the chainsaw carefully. Ensure all parts are properly assembled and securely attached. Replace any damaged or missing components before operation.

⚠ WARNING: Do not use the chainsaw with a malfunctioning chain brake lever. A properly functioning brake lever will stop the movement of the chain immediately. If the chain brake is not working properly, stop using it and have it repaired by a qualified service technician.

⚠ WARNING: Always use eye protection, dust masks, non-slip safety footwear, and hearing protection as required. Appropriate personal protective equipment reduces the risk of injury from flying debris, noise, or slipping.

⚠ WARNING: Hold the chainsaw firmly with both hands, maintaining a stable stance while the chain is moving.

⚠ WARNING: Never allow any part of your body to be in the chain line, and keep clear of all moving parts.

⚠ WARNING: Avoid touching the ground with the chainsaw while it is still running.

⚠ WARNING: When performing several cuts, the trigger must be released in between.

⚠ WARNING: Do not let familiarity from frequent use lead to carelessness.

Always follow all safety guidelines and operating instructions.

4.1 Install/Remove the Battery Pack

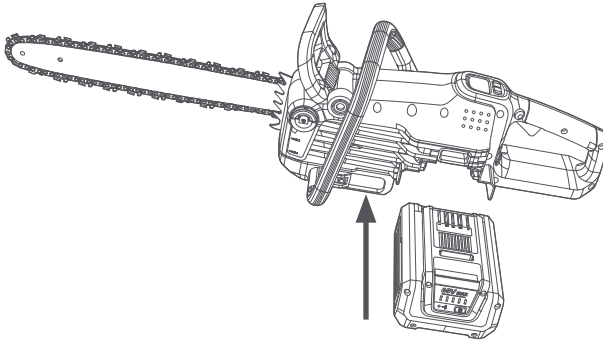
⚠ WARNING: Use only the battery packs specified in **Section 2.2**. Use of any other battery packs may create a risk of injury and fire. Fully charge the battery pack before first use.

⚠ WARNING: Keep the chain brake lever in the brake position.

To install

1. Align the ribs on the battery pack with the mounting slots in the tool.
2. Slide the battery pack in until it clicks into place.

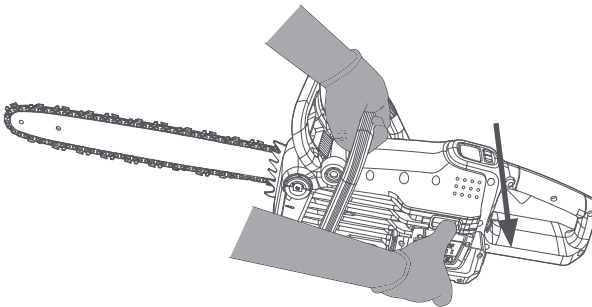
⚠ WARNING: Make sure the battery pack is fully seated before use. An unsecured battery may fall out during operation and cause injury.



To remove

⚠ WARNING: To avoid injury from a dropped battery pack, keep your feet clear of the battery's drop path and keep children or pets at a safe distance. Never remove the battery pack at a high position.

1. Hold the battery pack firmly in your palm.
2. Press the battery-release button with your thumb to release the battery pack from the latch.
3. Pull the battery pack straight out.



4.2 Start/Stop the Chainsaw

⚠ WARNING: Before starting, make sure the area around you is clear of

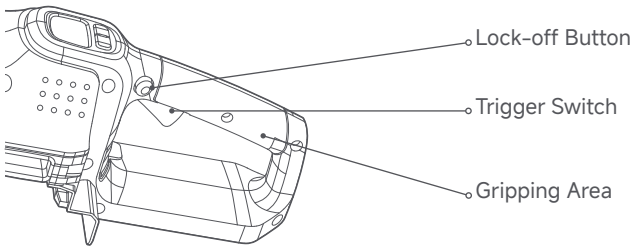
obstacles and that the guide bar and saw chain are not in contact with the ground or any object.

⚠ WARNING: Do not start or stop the chainsaw with the chain engaged in a cut.

To Start

⚠ WARNING: This tool is equipped with a lock-off button to prevent accidental startup. Do not use the tool if it starts by the trigger alone without engaging the lock-off button. If this occurs, stop using and contact an authorized service center.

1. Grasp the gripping area of the rear handle with your right hand. Press and hold the lock-off button with your thumb, then squeeze the trigger to start the chainsaw.
2. Release the lock-off button and fully squeeze the trigger to reach the full speed of the current mode before starting the cut.

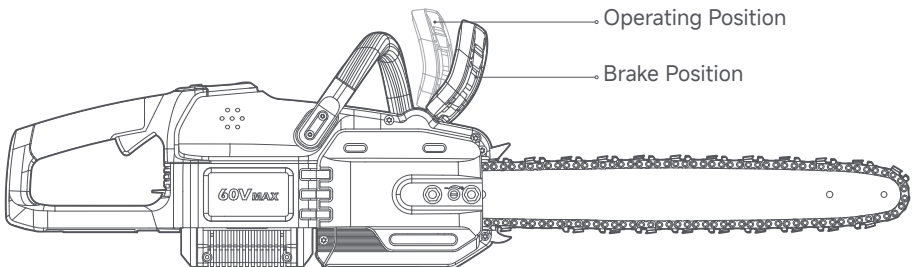


To Stop

⚠ WARNING: Always remove the battery pack from the chainsaw during breaks or after use.

1. Move the chainsaw away from the cutting area, then release the trigger to stop the chainsaw.
2. Push the chain brake lever forward to the brake position to engage the brake.

⚠ WARNING: When kickback occurs, the chain brake lever will be pushed forward into the brake position by the operator's left hand to provide protection against injury. If this happens, stabilize the tool and release the trigger to stop the engine. Identify the cause of the kickback and make sure the tool is free of abnormalities before operating again.



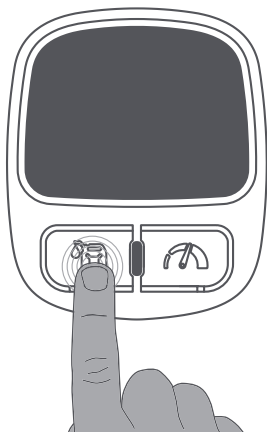
4.3 Adjust the Oil Pulse and Speed Modes

To adjust Oil Pulse Mode

This tool features four oil pulse modes. It starts in AI OilPulse by default.

- Press the oil pulse button to cycle through: 1 → 2 → 3 → AI → 1.

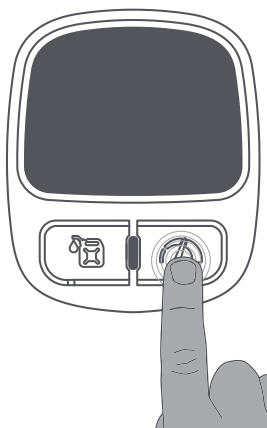
NOTE: This tool features a memory function: When powered on, it automatically resumes the oil pulse mode selected during the last operation.



To adjust Speed Mode

This tool offers three speed modes.

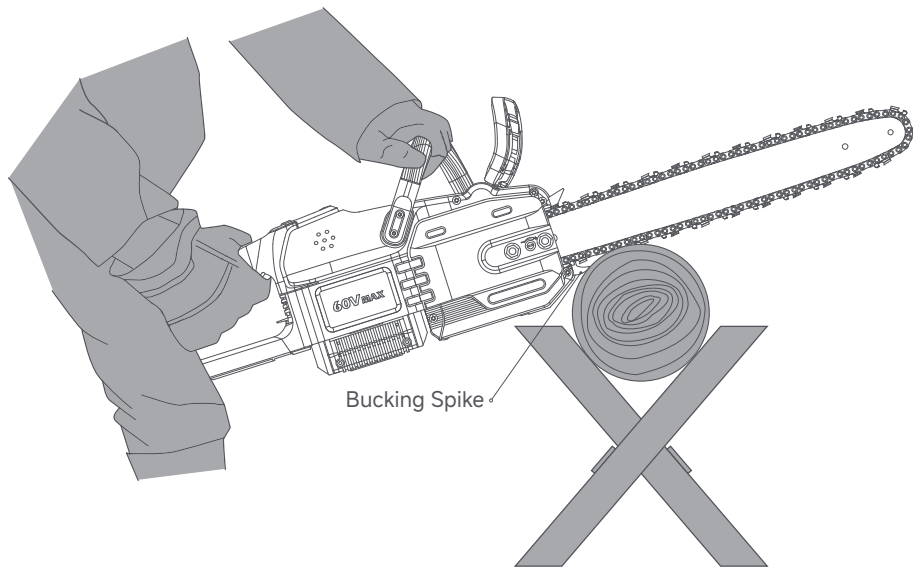
- Press the chain speed button to cycle through: 1 → 2 → 3 → 1.



4.4 First-Time User Guide

If you are new to using a chainsaw, practice on a few small logs to get a "feel" for the tool's handling before starting any real cutting tasks.

1. Place the log on a saw horse and ensure it is securely held.
2. Firmly position the bottom spike so that it grips the wood just behind the initial cut to stabilize the log.
3. Start the chainsaw in low-speed mode with AI oil pulse mode enabled and pull the trigger to reach full speed before beginning the cut.
4. Lower the saw chain and bar into the log, using the spike as a pivot point.
5. Test different chain speeds and oil pulse modes on several logs.



4.5 Felling

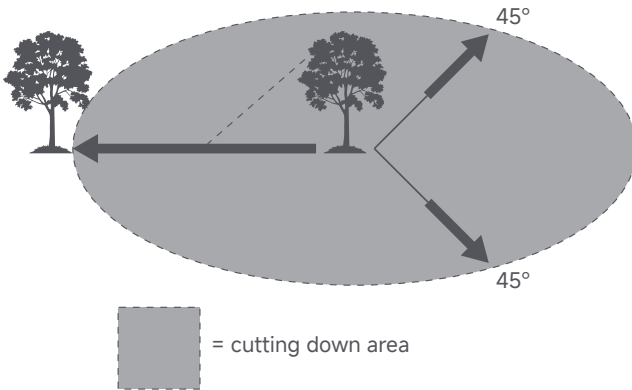
⚠ WARNING:

- Avoid felling trees during high winds, storms, heavy rain, or poor visibility.
- Do not fell trees that lean at extreme angles or large trees with rotten limbs, loose bark, or hollow trunks. Instead, have these trees pushed or dragged down with heavy equipment and then cut them up.
- When felling a tree, keep everyone – helpers, bystanders, children, and animals – a safe distance away from the cutting area. During felling operations, the safe distance should be at least twice the height of the tree being felled.
- Never fell a tree in a way that could endanger people, buildings, or utility lines. If a tree contacts a utility line, stay away and immediately notify the utility provider.
- Keep on the uphill side, as the tree may roll or slide downhill after felling.

- If the tree begins to fall in the wrong direction or the saw becomes stuck, leave the area immediately and abandon the tool if necessary.

4.5.1 Before You Fell

- Check the tree for decay, hollow areas, or dead limbs, and clear all dirt, stones, loose bark, nails, staples, and wire from the area where felling cuts are to be made.
- Evaluate the natural lean of the tree, wind direction, and branch distribution to determine its fall path.
- Prepare two safety retreat paths. Your retreat path should lead diagonally back from the expected line of fall and be free from obstructions.



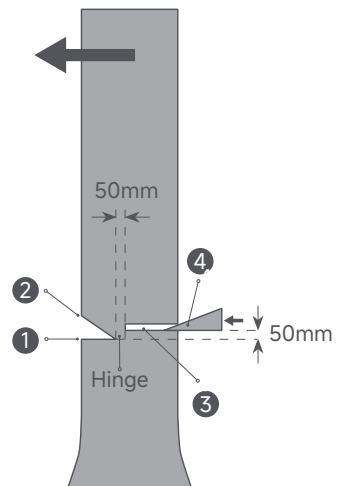
4.5.2 Felling Procedure

Notch Cut

1. On the side facing the intended felling direction, make a horizontal cut into the trunk to a depth of about 1/3 of its diameter.
2. Make a second cut downward at approximately a 60° angle to meet the horizontal cut, forming a notch.

Back Cut

3. On the opposite side of the notch, make a horizontal cut at least 50 mm above the base of the notch. Do not cut through; leave a hinge.
4. As the back cut approaches the hinge, the tree should begin to fall. If the tree shows any sign of falling in the wrong direction, or if it begins to settle back and pinch the saw chain, stop cutting immediately. Insert wedges into the back cut to open the cut and guide the tree to fall in the desired direction.
5. Once the tree starts to fall, withdraw the



chainsaw, release the trigger, set the saw on the ground, and retreat along a pre-planned escape route.

⚠️ **WARNING:** After felling, wait until the tree has come to a complete rest. Inspect for tensioned or suspended branches and any entanglement with neighboring trees from a safe position before approaching.

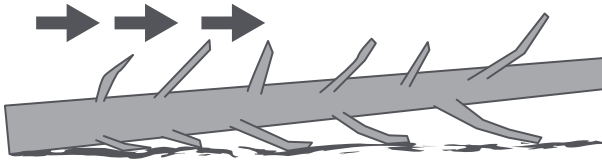
4.6 Limbing

⚠️ **WARNING:** Stand to the side of the trunk and trim limbs from the opposite side, keeping the tree stem between you and the chainsaw.

⚠️ **WARNING:** Never straddle or stand on top of the trunk.

⚠️ **WARNING:** Never place the chainsaw between your legs when cutting.

1. Leave larger lower limbs in place to support the trunk above the ground.
2. Remove small branches in one cut.
3. Branches under tension should be cut from the bottom up to avoid binding the chainsaw.



4.7 Bucking

⚠️ **WARNING:** Always stand on the uphill side of the log when bucking on a slope.

⚠️ **WARNING:** Bucking may cause the saw to pull forward or push back, depending on the cutting direction. Always maintain a firm two-handed grip, stable footing, and do not force the saw.

⚠️ **WARNING:** Near the end of a cut, reduce cutting pressure to prevent kickback or saw damage. Avoid contact between the chain and the ground.

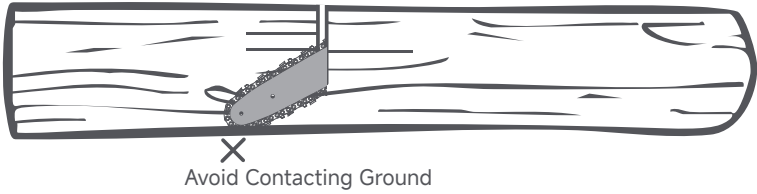
⚠️ **WARNING:** Let the chain come to a complete stop before repositioning or moving the saw.

4.7.1 Select a Cutting Method

To avoid saw binding and maintain better control, select a cutting method according to how the log is supported, and use the spike as a pivot to guide the chainsaw:

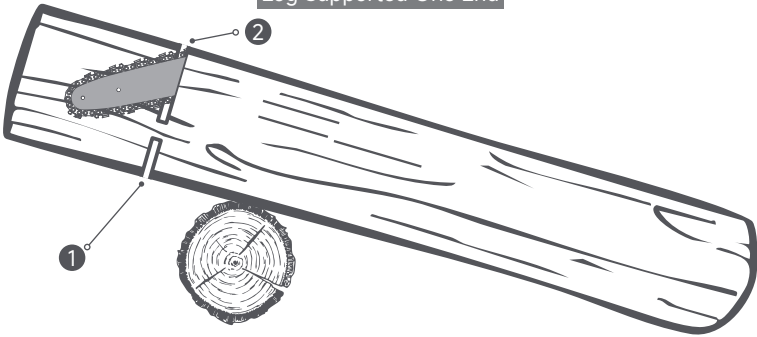
- **Log supported along entire length: Overbuck**
 - Place the bottom of the guide bar on top of the log.
 - Apply light, steady downward pressure to begin the cut. Let the saw feed naturally into the wood—do not force it.

Log Supported Along the Entire Length



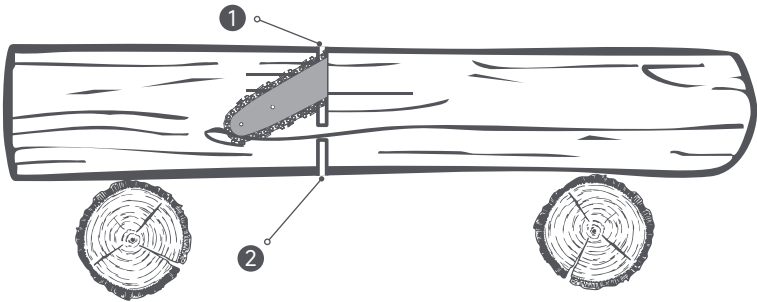
- **Log supported at one end: Underbuck + Overbuck**
 - Place the top of the guide bar under the log.
 - Cut about 1/3 of the log's diameter from the underside (1), then complete the cut from the top to meet the first cut (2).

Log Supported One End



- **Log supported at both ends: Overbuck + Underbuck**
 - Place the bottom of the guide bar on top of the log.
 - Cut 1/3 of the log's diameter from the top (1), then complete the cut from the underside (2) to meet the first cut.

Log Supported Both Ends



5 MOVHome App

The MOVHome app allows you to monitor your tool's status, view total operation time, access user guides, and diagnose potential issues.

5.1 Connect to the MOVHome App


1. Scan the QR code below or search for "MOVHome" in the App Store or Google Play. Install the app, create an account, and log in.





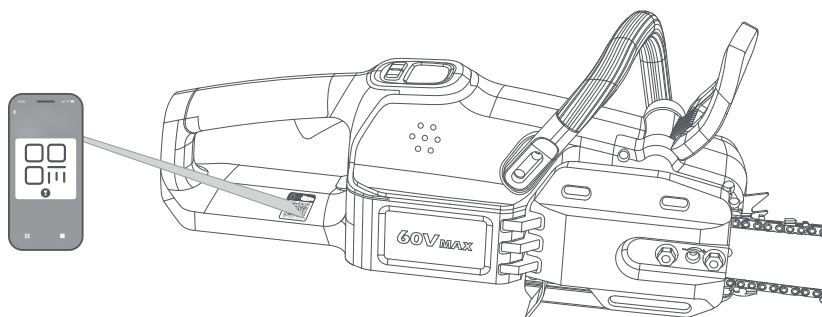
2. Open the MOVHome app and enable Bluetooth function on your mobile device.


NOTE: Please make sure that both the tool and your mobile device are within range of the same Wi-Fi network, and your mobile device is within 10 m (33 ft) of the tool.

3. Follow the instructions in **Section 4.1** to properly and securely install the battery pack into the tool, activating the tool's display screen.

4. Press and hold the  button on battery pack for 4 seconds to enter Bluetooth pairing mode. Then, pair the tool with your mobile device using one of the following two methods:

- **Scan QR code:** Go to  **Device** >  **Scan to Connect**, then scan the code on the tool as shown below.



- **Add Manually:** Go to  **Device** > **+** **Add**, then select your tool model.




5. Follow the in-app instructions to complete the connection. The Bluetooth Icon on the screen lights up when successfully paired.

5.2 Unbind

The tool is automatically bound to the MOVHome account once pairing is

successful. Each tool can only be bound to one account at a time.

To pair the tool with a new account, you need to unbind it first:

1. Open the MOVAtHome app. Go to  **Device**.
2. If you have multiple tools bound to your MOVAtHome account, swipe left or right to access the page of the tool you want to edit.
3. Tap  next to the tool's name.
4. Select  **Delete**.

NOTE: Unbinding will permanently erase all user data associated with the tool from the cloud.


5.3 Share Your Tool


1. Tap  next to the tool's name.
2. Select  **Device Sharing**.


5.4 Log out / Delete Account


1. Go to  **Me** > **Settings** > **General** > **Account**
2. Select **Log Out** or **Delete Account**.

6 Maintenance


 **WARNING:** Make sure the tool is turned off and the battery pack is removed before servicing, cleaning, or changing attachments. Failure to do so may result in serious personal injury.


 **WARNING:** Have your power tool serviced by qualified personnel using only identical replacement parts. Improper repairs may result in serious hazards.


 **WARNING:** Do not at any time let brake fluids, gasoline, petroleum-based products, penetrating oils, etc., come in contact with plastic parts. Chemicals can damage, weaken, or destroy plastic, which may result in serious personal injury.

 **WARNING:** Any servicing not covered in this manual must be performed by authorized service personnel only.

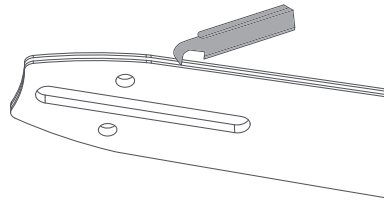
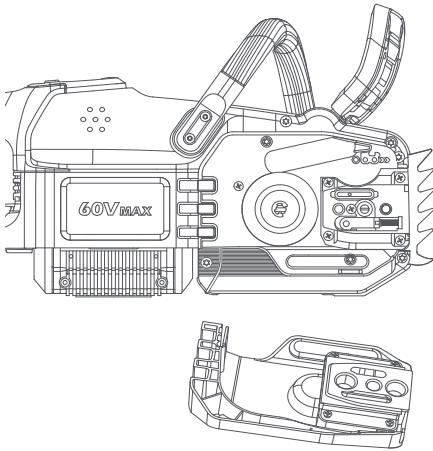
6.1 Cleaning

 **WARNING:** Never immerse the tool in water or any liquid when cleaning.

 **CAUTION:** Avoid using commercial solvents when cleaning plastic parts. These may cause discoloration, softening, or cracking of plastic surfaces.

 **CAUTION:** Ensure all components are completely dry before reassembling or storing.

- Remove the side cover and clean the interior using a soft brush.
- Regularly clean the guide bar groove using a suitable tool.



6.2 Sharpen the Saw Chain

The chain may require sharpening if it produces only fine, powder-like chips, cuts to one side, or feels noticeably harder than usual to cut through the wood.

⚠ WARNING: Never use a dull, damaged or improperly sharpened saw chain. It increases the potential of kickback.

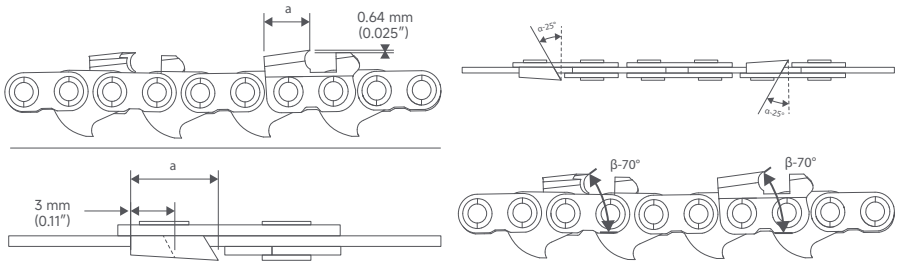
⚠ WARNING: Always wear cut-resistant gloves and safety glasses when handling or filing the chain.

⚠ WARNING: If the cutter teeth are damaged by contact with hard objects (e.g., nails, stones) or worn down by dirt, mud, or sand on the wood, have the chain sharpened by a qualified service technician.

Proper sharpening

⚠ WARNING: Always remove the battery pack before performing any work on the guide bar or chain.

- Use a dedicated round file for saw chains. Use a file holder if necessary. Lift the file away from the cutter on each return stroke.
- **Sharpen all cutters to the same length (a).** Cutters of different lengths cause rough chain operation and may lead to chain cracking.
- **Minimum cutter length: 3 mm.** Do not continue sharpening once this limit is reached. The chain must be replaced at this point (see **Section 6.3**).
- **Recommended Depth-Gauge: 0.64 mm.** Excessive depth increases the risk of kickback.
- **Sharpening angle: 25°; 70°.** The sharpening angle must be identical for all cutters. Different angles cause rough and irregular chain operation, increase wear, and may lead to chain breakage.



6.3 Replace the Bar and Chain

Before each use, inspect the chain, guide bar, and bar rails for abnormal wear, damage, or improper tracking. Replace the saw chain or guide bar immediately if any such conditions are observed.

⚠ WARNING: Do not continue using a damaged bar or chain. It may result in poor cutting performance or serious injury.

⚠ WARNING: Always wear cut-resistant gloves when handling the bar and chain, these components are sharp and may contain burrs.

1. Remove the battery pack and allow the saw to cool.
2. Position the chainsaw on a firm, flat surface with the side cover facing up.
3. Loosen the side cover nuts and remove the cover. Clean the side cover with a dry cloth.
4. Turn the chain-tensioning bolt with the flat end of the wrench to loosen the chain.

5. Remove the worn bar and chain.

NOTE: Inspect the drive sprocket for excessive wear or damage.

6. Follow the steps outlined in **Section 3.1** to install the new bar and chain.
7. Follow the steps outlined in **Section 3.2** to correctly adjust the chain tension.

6.4 Transporting and Storing

⚠ WARNING: Always remove the battery pack before storage or transportation.



⚠ CAUTION: Store the chainsaw away from corrosive substances such as garden chemicals or de-icing salts, as these may damage the tool.

- Before changing your location during work, switch off the chainsaw and engage the chain brake to prevent accidental starting.
- Carry the chainsaw by the front handle, with the guide bar pointing backward.
- When transporting the chainsaw over long distances, always install the chain sheath.
- Allow the chainsaw to cool down completely before storage or transportation.


- Clean the chainsaw thoroughly after use. Store it indoors in a dry, locked location, out of the reach of children.

7 Troubleshooting

ISSUE	CAUSE / ERROR CODE	SOLUTION
Chainsaw does not work.	The battery pack is not attached or is attached incorrectly to the tool.	Attach the battery pack securely to the tool.
	The battery pack is depleted.	Charge the battery pack.
	The battery pack is overheated. (Error code E01)	Allow the battery pack to cool below 65°C (149°F).
	The tool is overheated. (Error code E07)	Allow the tool to cool below 65°C (149°F).
	Chain brake is engaged.	Pull the chain brake lever backward toward the front handle.
	Saw chain is bound in the wood. (Error code E06)	Release the trigger, wait for the chain to stop, carefully remove the saw from the wood, and then restart.
	Debris in chain bar groove (Error code E06)	Press the saw chain against the wood and move the chainsaw back and forth to discharge debris.
	Debris in side cover (Error code E06)	Remove the battery pack, remove the side cover and clean out debris.
	Battery pack malfunction (Error code E11)	Please contact MOVA Customer Service for help.
	Tool malfunction. (Error code E13/E16/E18)	Please contact MOVA Customer Service for help.
Motor runs but chain does not rotate.	Chain does not engage drive sprocket.	Reinstall the chain, ensuring that the drive links on the chain are fully seated on the sprocket.
Chain brake can not be engaged.	Debris blocks the full movement of the chain brake lever.	Clean debris from the external chain brake mechanism.
	Possible chain brake malfunction.	Please contact MOVA Customer Service for help.

Chainsaw does not cut properly.	Insufficient chain tension	Adjust the chain tension (see Section 3.2).
	Dull chain	Sharpen the chain cutters (see Section 6.2).
	Chain installed backwards	Reinstall the saw chain.
	Worn chain	Replace the chain (see Section 6.3)
	Dry or excessively stretched chain	Check the oil level. Refill the oil tank if necessary.
	Chain not in bar groove	Reinstall the saw chain.
Bar and chain run hot and smoke.	Chain tension is too tight.	Adjust the chain tension (see Section 3.2).
	Chain oil tank is empty.	Fill with bar and chain lubricant.
	Debris in guide bar groove (Error code E06)	Clear debris from the groove.
Oil pulse does not work / Inaccurate AI oilpulse	Tool malfunction (Error code E18)	Please contact MOVA Customer Service for help.
Screen not functioning properly	Screen or wire connection is damaged.	Contact MOVA Customer Service for repair.
Failure to connect to the APP	Battery pack is out of Bluetooth range.	Keep the battery pack within 10 m from the mobile device. Insert the Bluetooth-paired battery pack into the tool, or insert the battery pack first and then connect via Bluetooth.
	If holding the  on the battery pack for 2 seconds (until the Bluetooth indicator light flashes blue) does not work, the battery pack or the tool may already be paired with another account.	Press and hold the  for 4 seconds (until the Bluetooth indicator light flashes rapidly in blue) to re-enter pairing mode.

8 Specifications

Model	GC618/GC618X*
Rated Voltage	60V 
Guide Bar Length	45 cm
Chain Pitch	8.25 mm
Chain Gauge	1.1 mm
Number of Drive Links	70
Chain Speed	26 m/s (Max)
Oil Tank Capacity	330 ml
Recommended Operating Temperature	-15°C–40°C (5°F–104°F)
Recommended Storage Temperature	-20°C–70°C (-4°F–158°F)
Weight (without battery pack)	5.0 kg
Ingress Protection Rating	IPX4
Measured Sound Power Level LwA	107.4 dB(A) K=3.0 dB(A)
Sound Pressure Level at Operator's Position LpA	99 dB(A) K=3.0 dB(A)
Guaranteed Sound Power Level LwA (measured according to 2000/14/EC)	112 dB(A) K=3.0 dB(A)
Vibration Value	Front Handle: 2.355 m/s ² Rear Handle: 3.843 m/s ² K=1.5 m/s ²

*X=0-999, A-Z may vary depending on the sales region or package configuration, with no safety-related changes between these models.

NOTE:

- IPX4 rating is based on the machine and battery being used together as a system.
- The declared noise emission value(s) and vibration total value(s) are measured in accordance with a standard test method, and may be used both for comparing tools and for making a preliminary assessment of exposure.

⚠ WARNING: The noise and vibration emissions during actual use of the power tool may differ from the declared value(s), depending on how the tool is used. To protect the operator, hearing protection and gloves should be worn under actual working conditions.

MOVA



**Join our official Facebook group
where you can discuss your questions with
other fellow users.**

Manufacturer: Lawnix Technology (Nanjing) Co., Ltd.

Address: Room 501-510, 5/F, Block E (Building 2), No.10 Mozhou East Road,

Jiangning Development Zone, Jiangning District, Nanjing, Jiangsu Province, P.R.China

Made in China