



ESH 2.5/4.0

SMARTHOME

Mini Tank Water Heater INSTALLATION, USE AND CARE MANUAL



SMART ON/OFF
BUTTON



SMART VOICE
COMMANDS



SMARTHOME
READY



ADVANCED ERROR
DETECTION



DIGITAL PRECISION
HEATING



INTELLIGENT
CONTROL BOARD

HEATING WATER **SMARTER**

"Alexa,
turn on my Mini Water Heater."



"Ok Google,
set my Mini Water Heater to 110°"





315-A Industrial Road
Summerville, SC 29483
1-866-356-1992
support@eccotemp.com



SMARTHOME Mini Tank WATER HEATER SMARTHOME MINI RESERVOIR CHAUFFE-EAU

MODEL / le modèle:	ESH-2.5
RATED POWER / Puissance nominale:	1440W
RATED VOLTAGE / Tension Nominale:	120V ~ 60Hz
TANK CAPACITY / Capacité du réservoir:	2.5 gal
MAX RATED PRESSURE / Pression Maximale Nominale:	150 psi

Conforms To UL STD. 174
Certified To CSA STD. C22.2 NO. 110

SERIAL NO /
Numéro de
Série:

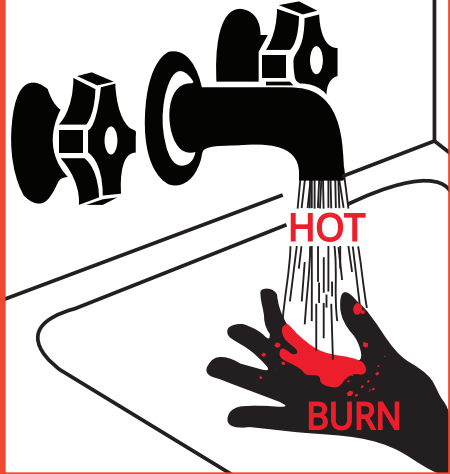
SMARTHOME Mini Tank WATER HEATER SMARTHOME MINI RESERVOIR CHAUFFE-EAU

MODEL / le modèle:	ESH-4.0
RATED POWER / Puissance nominale:	1440W
RATED VOLTAGE / Tension Nominale:	120V ~ 60Hz
TANK CAPACITY / Capacité du réservoir:	4.0 gal
MAX RATED PRESSURE / Pression Maximale Nominale:	150 psi

Conforms To UL STD. 174
Certified To CSA STD. C22.2 NO. 110

SERIAL NO /
Numéro de
Série:

⚠ DANGER



Water temperature over 125°F (52°C) can cause severe burns instantly or death scalds. Children, disabled and elderly are at the highest risk of being scalded. See instruction manual before setting temperature at water heater. Feel water before bathing or showering. Temperature limiting values are available, see manual.

PLEASE NOTE: MINI TANKS ARE FOR INDOOR PERMANENT INSTALLATIONS ONLY. BEFORE POWERING THE WATER HEATER, BE SURE THAT THE SYSTEM IS COMPLETELY FILLED WITH WATER AND ALL AIR IS REMOVED. THIS MANUAL AND ALL ECCOTEMP CONTENT IS SUBJECT TO CHANGE WITHOUT NOTICE. PLEASE VISIT SUPPORT.ECCOTEMP.COM FOR MORE INFORMATION.

- ⚠ CAUTION!** When a supplemental heat source is connected to the Certified Household Electric Storage Tank Water Heater, provisions must be made to limit the heat source temperature not to exceed that of the water heater thermostat setting.
- ⚠ CAUTION!** If the water heater has been retrofitted with supplemental heating equipment, you must adjust both the thermostat controlling the supplemental heat source located in the water piping and the thermostat on the water heater behind the access panel to the same temperature. Failure to adjust both thermostats to the same temperature can cause loss of proper temperature control.
- ⚠ CAUTION!** To reduce the risk of electric shock or fire, use only on a utility supply having a maximum 125/250 volt, three wire system.
- ⚠ CAUTION!** To reduce the risk of electrical shock, connect ground to water heater. For detailed information refer to instructions.
- ⚠ CAUTION!** Install temperature and pressure protective equipment required by local codes, but no less than a combination temperature and pressure relief valve certified as meeting the requirements for relief valves, ANSI 21.22, by a nationally recognized testing laboratory that maintains periodic inspection of production of listed equipment or materials. The valve must be oriented, provided with tubing, or otherwise installed so that discharge can exit only within 6 inches above, or at any distance below, the structural floor, and cannot contact any live electrical part.
- ⚠ DANGER!** To reduce the risk of electric shock, disconnect from power supply before replacing temperature-limiting device.
- ⚠ CAUTION!** To reduce the risk of excessive pressures and temperatures in this water heater, install temperature and pressure protective equipment required by local codes and no less than a combination temperature and pressure relief valve certified by a nationally recognized testing laboratory that maintains periodic inspection of production of listed equipment or materials, as meeting the requirements for Relief Valves and Automatic Gas Shutoff Devices for Hot Water Supply Systems, ANSIZ21.22. This valve must be marked with a maximum set pressure not to exceed the marked maximum working pressure of the water heater. Install the valve into an opening provided and marked for this purpose in the water heater, and orient it or provide tubing so that any discharge from the valve exits only within 6 inches above, or at any distance below, the structural floor, and does not contact any live electrical part. The discharge opening must not be blocked or reduced in size under any circumstances.

PLEASE NOTE: MINI TANKS ARE FOR INDOOR PERMANENT INSTALLATIONS ONLY. BEFORE POWERING THE WATER HEATER, BE SURE THAT THE SYSTEM IS COMPLETELY FILLED WITH WATER AND ALL AIR IS REMOVED. THIS MANUAL AND ALL ECCOTEMP CONTENT IS SUBJECT TO CHANGE WITHOUT NOTICE. PLEASE VISIT SUPPORT.ECCOTEMP.COM FOR MORE INFORMATION.



Support: Support.Eccotemp.com



Shop Online: Eccotemp.com



Store Locator: Eccotemp.com/locator



ECCOTEMP SMARTHOME MINI TANK WATER HEATER

Use & Care Manual

With Installation Instructions for the Installer

APPLICATION

Point Of Use

INSTALLATION

Indoor

CAPACITY

2.5 gal / 4 gal

Safety Information

Safety Precautions _____ 5

General Information

Introduction _____ 6

Technical Specifications

Model Specific information _____ 7

Wiring Diagram _____ 8

Installation Instructions _____ 9

Water Connections _____ 10

Pressure Relief Valve _____ 11-12

Getting Started

Filling the Water Heater _____ 13

Using the Mobile App _____ 14-15

Setting the Temperature _____ 16

Voice Commands _____ 19

Maintenance

Housekeeping _____ 20

Blow Out Diagram _____ 21-22

Troubleshooting _____ 23-24

Warranty Information

Warranty _____ 25-26

Product Comparison _____ 27

CONGRATULATIONS!

You have just purchased a new Eccotemp Mini Tank Water Heater. This will open a world of possibilities where you can enjoy hot water!

We highly suggest you take the time to read through all of the safety and installation procedures in this manual before attempting to install your new Mini Tank Water Heater.

Should you have any questions, please feel free to visit our helpdesk located at: support.eccotemp.com

— PLEASE RETAIN THE INSTRUCTION MANUAL FOR FUTURE REFERENCE —

FOR YOUR RECORDS

Write your serial number here: # _____

You can find your serial number on a label located on the side of the appliance or box. Staple your proof of purchase here. Proof of original purchase date is needed to obtain service under the warranty.

READ THIS MANUAL

Inside you will find many helpful hints on how to use and maintain your water heater properly. A little preventive care on your part can save you time and money over the life of your water heater. You will find many answers to common problems in the Troubleshooting Guide. If you review the chart of Troubleshooting Tips first, you may not need to call for service.

READ THE SAFETY INFORMATION

Your safety and the safety of others are very important. There are many important safety messages in this manual and on your water heater. Always read and obey all safety messages. This is the safety alert symbol. Recognize this symbol as an indication of Important Safety Information! This symbol alerts you to potential hazards that can kill or hurt you and others.

All safety messages will follow the safety alert symbol and the words: **“DANGER”**, **“WARNING”**, **“CAUTION”** or **“NOTICE”**. These words mean:

⚠ WARNING! A potentially hazardous situation that could result in death or serious injury and/or damage to property.

⚠ DANGER! An imminently hazardous situation that will result in death or serious injury.

⚠ CAUTION! A potentially hazardous situation that may result in minor or moderate injury.

⚠ NOTICE! Attention is called to observe a specified procedure or maintain a specific condition.

PLEASE NOTE: MINI TANKS ARE FOR INDOOR PERMANENT INSTALLATIONS ONLY. BEFORE POWERING THE WATER HEATER, BE SURE THAT THE SYSTEM IS COMPLETELY FILLED WITH WATER AND ALL AIR IS REMOVED. THIS MANUAL AND ALL ECCOTEMP CONTENT IS SUBJECT TO CHANGE WITHOUT NOTICE. PLEASE VISIT SUPPORT.ECCOTEMP.COM FOR MORE INFORMATION.

IMPORTANT SAFETY INSTRUCTIONS

⚠ WARNING! When using electrical appliances, safety precautions to reduce the risk of fire, electric shock or injury to persons should be followed, including:

1. READ ALL INSTRUCTIONS BEFORE USING THIS WATER HEATER.
2. This water heater must be grounded. Connect only to properly grounded outlet. See POWERING THE WATER HEATER found on page 13.
3. Install or locate this water heater only in accordance with the provided installation instructions.
4. Use this water heater only for its intended use as described in this manual.
5. Do not use an extension cord with this water heater. If power is not available adjacent to the water heater, contact a qualified electrician to have a receptacle properly installed.
6. As with any appliance, close supervision is necessary when used by children.
7. Do not operate this water heater if it has a damaged cord or plug, if it is not working properly, or if it has been damaged or dropped.
8. Only qualified service personnel should service this water heater. Contact nearest authorized service facility when questions arise or service is required.

KEEP THESE INSTRUCTIONS

The manufacturer and/or distributor is not responsible for damages caused by improper installation, or failure to follow the instructions in this manual.

A QUALIFIED, LICENSED TECHNICIAN IS RECOMMENDED TO INSTALL THE WATER HEATER AND CONDUCT ALL SUBSEQUENT SERVICE WORK AND/OR MAINTENANCE.

IMPORTANT!

FILL THE TANK COMPLETELY FULL WITH WATER AND HAVE WATER FLOWING FROM THE HOT WATER FAUCET BEFORE ACTIVATING POWER TO THE HEATER FOR THE FIRST TIME OR DAMAGE WILL RESULT.

⚠ CAUTION!

Hydrogen gas can be produced in a hot water system served by this heater that has not been used for a long period of time (generally 2 weeks or more). Hydrogen gas is extremely flammable. To reduce the risk of injury under these conditions, it is recommended that the hot water faucet be opened for several minutes at the nearest and most distant sink being served by this water heater before using any electrical appliance connected to the hot water system (i.e. Dishwasher). If hydrogen gas is present, there will probably be an unusual sound such as air escaping through the faucet as the water begins to flow. There should be no smoking or open flame near the faucet at this time.

General Information

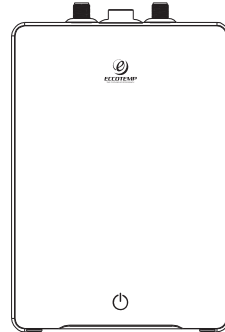
The Eccotemp **SMARTHOME** Mini Tank Water Heater can be used in most boats, campers, tiny homes, RV's, homes, under the sink, offices, cottages, kitchens, utility rooms, apartments, and food trucks. Eccotemp **SMARTHOME** Mini Tank models are designed to supply hot water for all hand wash and kitchen sinks in a residential environment.

Eccotemp **SMARTHOME** Mini Tank models can replace traditional central water heaters, thereby conserving water and reducing energy waste.

The Eccotemp **SMARTHOME** Mini Tank Water Heaters are lightweight, compact, and manufactured for easy installation. Eccotemp **SMARTHOME** Mini Tank models can be mounted on the wall with included hardware, or they can be placed freestanding.

Eccotemp **SMARTHOME** Mini Tank models are designed to operate at 150-psi maximum water pressure. Install a pressure-reducing valve if your water pressure is greater than 150-psi.

Eccotemp **SMARTHOME** Mini Tank Water Heaters also come with an app for your mobile device that can be downloaded from the Apple App Store and the Google Play Store. Search for "Eccotemp" to easily find the app, download it, install it, and begin using the app to complete your setup. Once you have the app set up, you can use it to adjust the temperature through your smart phone, or **SMARTHOME** devices, to increase the energy efficiency of your home.



⚠ CAUTION! The manufacturer cannot be responsible for the damage caused by improper installation or by failure to follow instructions in this manual. Comply with the Installation Instructions before connecting to electrical outlet.

⚠ CAUTION! The thermostat has been pre-set at the factory to 125°F (51.7°C) or lower to reduce the risk of scalding injuries.

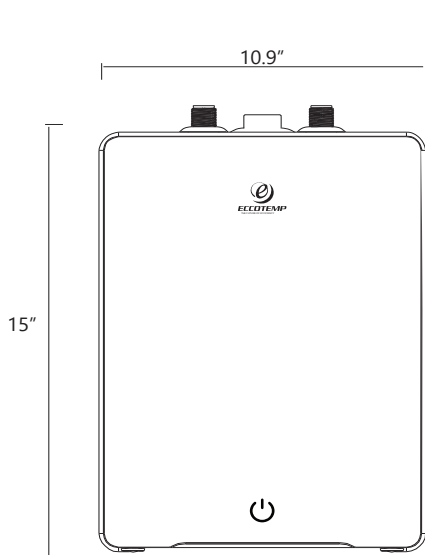
⚠ WARNING! Installer should review the contents of this manual with the owner upon completion of the installation, and the manual should remain with the owner and be placed in a location close to the water heater.

Technical Specifications

Models: Eccotemp SMARTHOME Mini Tank ESH 2.5 and ESH 4.0

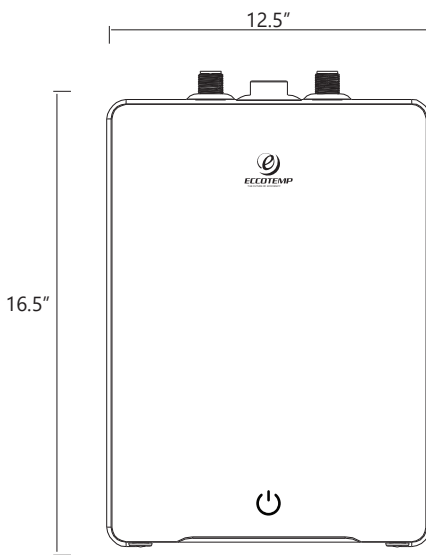
There are currently two Eccotemp **SMARTHOME** Mini Tank models, a 2.5-gallon and 4-gallon. The pressure vessel (water tank) is welded, glass-lined steel and is equipped with an anode rod. Water is supplied by standard 1/2 Inch NPT connections.

The water heater is equipped with a thermostat and a high limit temperature switch that can be controlled by the Eccotemp **SMARTHOME** app or by the manual controls. Also, a pressure relief valve is supplied with your water heater.



ESH 2.5

Weight when empty: 20 lbs.
Weight when Full: 40 lbs.

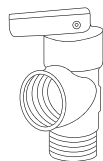


ESH 4.0

Weight when empty: 25 lbs.
Weight when Full: 58 lbs.

▲ NOTICE! To use WIFI settings you must ensure the manual temperature control knob is in WIFI mode.

INCLUDED ACCESSORIES



3/4 inch Temperature and
Pressure Relief Valve



Mounting Plate

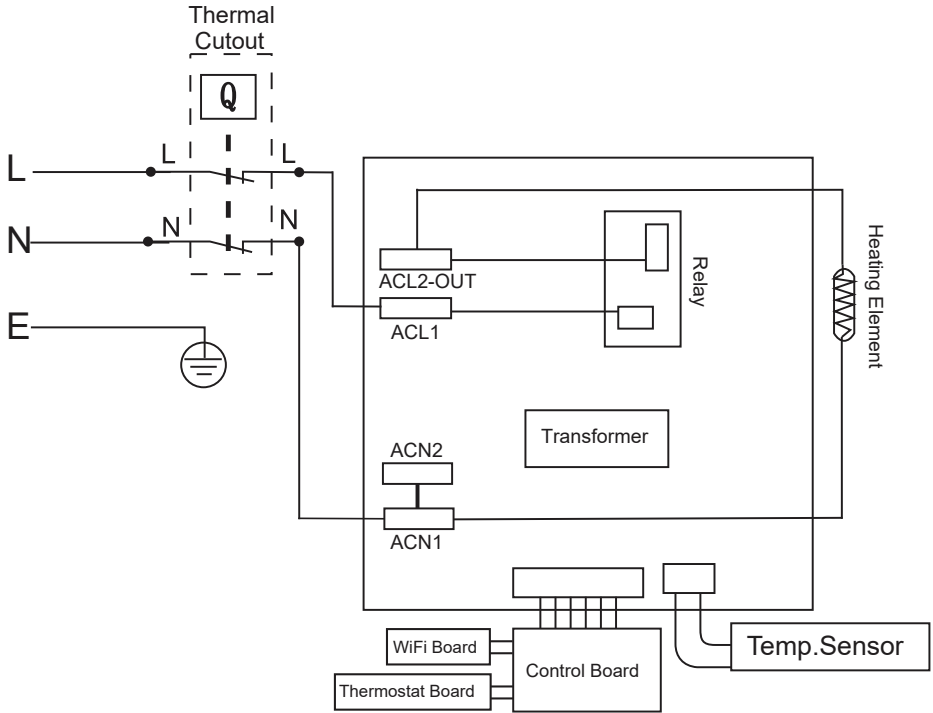


Mounting Anchors

PLEASE NOTE: MINI TANKS ARE FOR INDOOR PERMANENT INSTALLATIONS ONLY. BEFORE POWERING THE WATER HEATER, BE SURE THAT THE SYSTEM IS COMPLETELY FILLED WITH WATER AND ALL AIR IS REMOVED. THIS MANUAL AND ALL ECCOTEMP CONTENT IS SUBJECT TO CHANGE WITHOUT NOTICE. PLEASE VISIT SUPPORT.ECCOTEMP.COM FOR MORE INFORMATION.

Technical Specifications

Wiring Diagram



Electrical, Pressure and Recovery Specifications

Technical Data			
MODEL	Unit	ESH-2.5	ESH-4.0
Capacity	Gallons	2.5	4.0
Voltage	VAC	110-120	110-120
Power @ 120 VAC	Watts	1440	1440
Max. Water Pressure	Psi	150	150
Weight (empty)	Lbs.	20	25
Amperage	Amps	12	12
Phases		1	1
Pipe Fittings	Inches	1/2 Inch NPT	1/2 Inch NPT

PLEASE NOTE: MINI TANKS ARE FOR INDOOR PERMANENT INSTALLATIONS ONLY. BEFORE POWERING THE WATER HEATER, BE SURE THAT THE SYSTEM IS COMPLETELY FILLED WITH WATER AND ALL AIR IS REMOVED. THIS MANUAL AND ALL ECCOTEMP CONTENT IS SUBJECT TO CHANGE WITHOUT NOTICE. PLEASE VISIT SUPPORT.ECCOTEMP.COM FOR MORE INFORMATION.

Installation Instructions

A licensed professional should complete the installation adhering to all state and local codes. The manufacturer will not be liable for any damages because of failure to comply with these installation instructions or because of improper installation performed by an unqualified installer.

CHOOSE A LOCATION

Select a location that allows ease of access for maintenance, ideally with at least 9 inches of clearance at the top from any ceiling or cabinet interior.

Note: Only install in a vertical position.

Free Standing

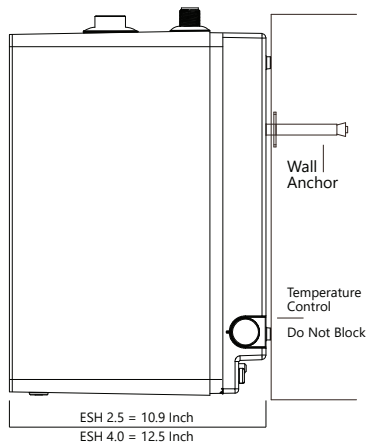
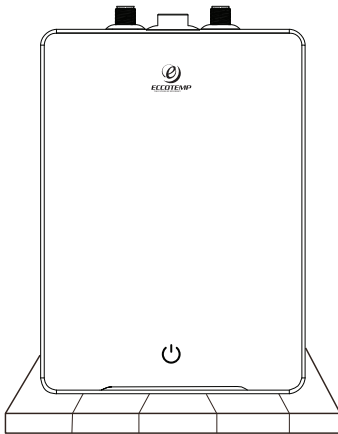
Sit on the floor under a sink or in a cabinet, upright, as pictured in the diagram below and on the front cover of this manual.

Note: Make sure to leave at least nine (9) inches of clearance above your water heater.

Wall Mounted

Fasten the supplied mounting bracket to the wall. Use screws that are suitable for the wall material and the weight of the water heater filled to capacity. The ESH 2.5, when full, weighs 41 lbs. The ESH 4.0, when full, weighs 58 lbs. Hang the water heater on the bracket and pull downwards on the water heater to ensure that both fingers of the bracket are seated in the mounting slots.

Note: Confirm your water piping orientation (hot and cold) before wall mounting.



PLEASE NOTE: MINI TANKS ARE FOR INDOOR PERMANENT INSTALLATIONS ONLY. BEFORE POWERING THE WATER HEATER, BE SURE THAT THE SYSTEM IS COMPLETELY FILLED WITH WATER AND ALL AIR IS REMOVED. THIS MANUAL AND ALL ECCOTEMP CONTENT IS SUBJECT TO CHANGE WITHOUT NOTICE. PLEASE VISIT SUPPORT.ECCOTEMP.COM FOR MORE INFORMATION.

Installation Instructions

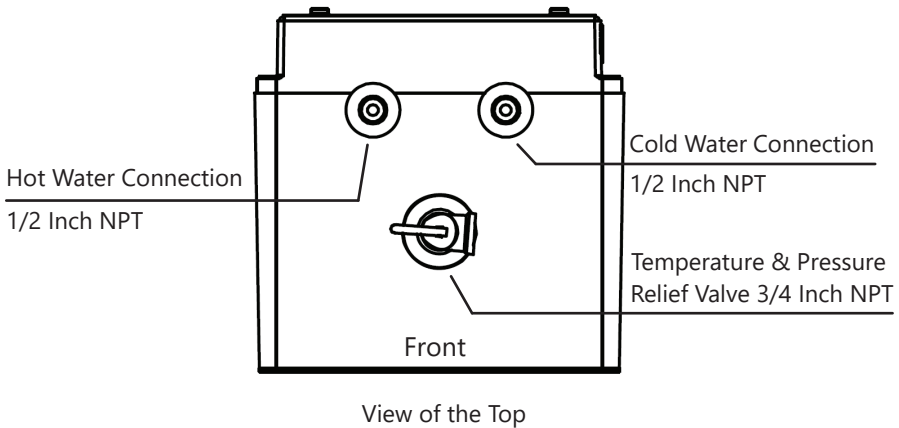
WATER CONNECTIONS

Water connections should be in close orientation to the install site. Confirm there is enough allowance for the water intake and outtake hoses to reach the water heater.

Note: If your water pipes are copper or bronze be sure to use dielectric connections to prevent corrosion. Failure to do so may cause damage to your tank and void your warranty. In order to protect the water heater from heat damage due to soldering, solder a piece of tubing to a threaded union fitting before screwing the union to the tank.

1. Install a shut off valve in line with the cold-water pipe.
2. Connect the cold water pipe to the inlet nipple, marked with a blue label.
3. Connect the hot water pipe to the outlet nipple, marked with a red label.

⚠ NOTICE: Do not attempt to remove rubber washer.



IMPORTANT: Failure to provide dielectric insulation may result in premature tank or nipple failure and may void your warranty. The Temperature & Pressure Relief valve (T&P valve) is for servicing and the valve should be in the open position when the water heater is in operation. **DO NOT APPLY HEAT DIRECTLY TO INLET OR OUTLET CONNECTIONS.**

Installation Instructions

TEMPERATURE & PRESSURE RELIEF VALVE

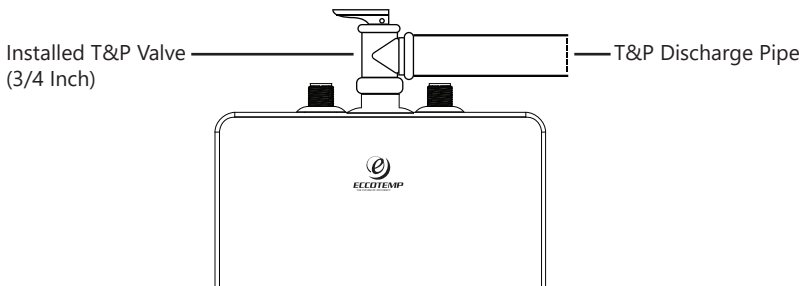
CLOSED SYSTEM THERMAL EXPANSION: Periodic discharge of the relief valve or failure of the element gasket may be due to thermal expansion in a closed water supply system. The water utility supply meter may contain a check valve, backflow preventer or water pressure-reducing valve that will create a closed water system. During the heating cycle of the water heater, the heated water expands causing pressure inside the water heater to increase. The T&P relief valve may discharge hot water under these conditions that result in a loss of energy and a build up of lime on the relief valve seat. To prevent this from happening, there are two recommendations:

1. Install a diaphragm-type domestic hot water expansion tank (suitable for potable water) on the cold water supply line. The expansion tank must have a minimum capacity of 1.5 U.S. gallons for every 50 gallons of stored water.
2. Install a 125-PSI pressure relief valve in the cold water supply line. Make sure the discharge of this valve is directed to an open drain and protected from freezing.

Included with your water heater is a 3/4 inch temperature and pressure relief (T&P valve) that is certified by a nationally recognized laboratory. This is designed to reduce the risk of excessive pressures and temperatures in this water heater and should be installed as directed by local codes. The T&P valve is marked with a maximum pressure, which does not exceed the maximum working pressure of the water heater (150 psi).

Note: If using a different temperature and pressure relief valve other than the one provided with your purchase, please ensure that the maximum PSI marking on the valve DOES NOT exceed the marked maximum working pressure of the water heater.

1. Install the 3/4 inch T&P valve supplied with the water heater into the large threaded opening located at the top of the water heater.
2. Attach a discharge pipe from the T&P valve terminating at a sink or drain. Do not cap or plug the end of the discharge pipe.



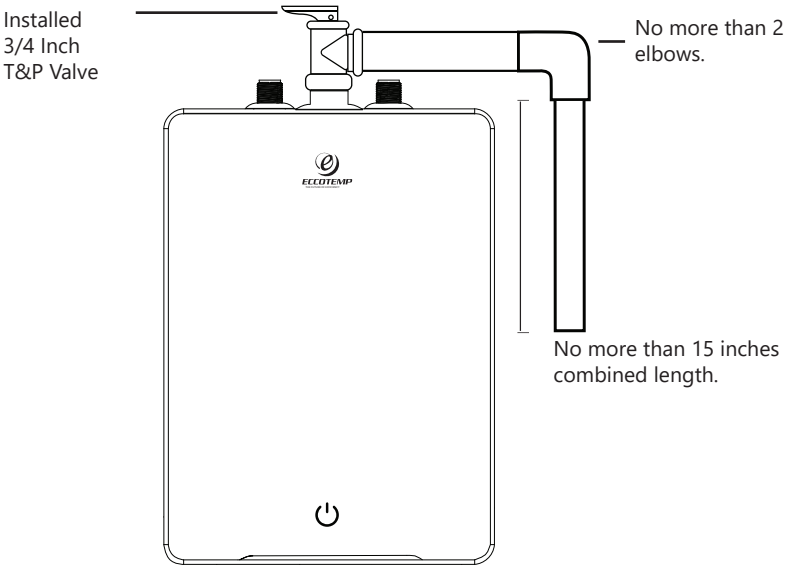
PLEASE NOTE: MINI TANKS ARE FOR INDOOR PERMANENT INSTALLATIONS ONLY. BEFORE POWERING THE WATER HEATER, BE SURE THAT THE SYSTEM IS COMPLETELY FILLED WITH WATER AND ALL AIR IS REMOVED. THIS MANUAL AND ALL ECCOTEMP CONTENT IS SUBJECT TO CHANGE WITHOUT NOTICE. PLEASE VISIT SUPPORT.ECCOTEMP.COM FOR MORE INFORMATION.

Installation Instructions

TEMPERATURE & PRESSURE RELIEF VALVE

A discharge line should be installed and exit only 6 inches above, or at any distance below, and should not come in contact with any live electrical part. The T&P discharge opening must not be blocked or reduced in size under any circumstances.

IMPORTANT: Failure to provide dielectric insulation may result in premature tank or nipple failure and may void your warranty. The T&P valve is for servicing and the valve should be in the open position when the water heater is in operation. **DO NOT APPLY HEAT DIRECTLY TO INLET OR OUTLET CONNECTIONS.**



Installing the T&P Valve Discharge Pipe:

1. Must NOT be smaller in diameter than the outlet diameter of the valve, or have any reducing couplings.
2. Must NOT be plugged or blocked.
3. Must be made of suitable material for hot water.
4. Must not be over 15 inches in length.
5. Must not have more than two elbows.
6. Must terminate at an adequate drain.
7. Must not have a shut off valve between relief valve and tank or relief valve and termination of discharge.

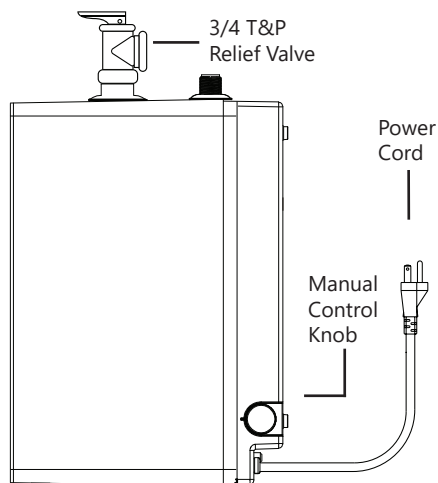
PLEASE NOTE: MINI TANKS ARE FOR INDOOR PERMANENT INSTALLATIONS ONLY. BEFORE POWERING THE WATER HEATER, BE SURE THAT THE SYSTEM IS COMPLETELY FILLED WITH WATER AND ALL AIR IS REMOVED. THIS MANUAL AND ALL ECCOTEMP CONTENT IS SUBJECT TO CHANGE WITHOUT NOTICE. PLEASE VISIT SUPPORT.ECCOTEMP.COM FOR MORE INFORMATION.

Getting Started

FILLING THE WATER HEATER

Before connecting the power, fill the tank and system with water and check for leaks. To be sure that all remaining air is out of the water system, open the hot water faucets on your fixtures until constant water flows. Any air remaining in the tank will cause the water heater element to fail.

1. Open the hot water faucet.
2. Open the cold water supply valve.
3. When continuous water flows out of the faucet, the tank is filled.
4. Close the hot water faucet.
5. Check entire system for leaks.



POWERING THE WATER HEATER

⚠ CAUTION! Before powering the water heater, be sure that the system is completely filled with water and ALL AIR IS REMOVED.

To be certain that all of the air is out of the water heater, open the HOT water faucet on the fixtures until constant water flows from them. If air remains in the tank, the element will be damaged when the electric cord is plugged in.

The Ecotemp **SMARTHOME** Mini Tank water heater comes equipped with a power cord that is intended to plug into a standard 110/120v receptacle. Adhere to all pertinent state and local codes. The Ecotemp **SMARTHOME** Mini Tank was manufactured and wired in accordance with ETL requirements.

Powering Your Ecotemp **SMARTHOME** Water Heater:

1. Plug your Mini Tank to a grounded outlet.
2. Adjust the temperature of the water heater either by the manual temperature controls or the **SMARTHOME** app. Manual temperature controls are located towards the back on the right side.
3. Allow up to 25 minutes to achieve desired set temperature.

The Ecotemp **SMARTHOME** Mini Tank Water Heater comes equipped with an overheat sensor with a manual reset; also known as the temperature high limit. This device has been factory installed to interrupt the power supply in the event of a thermostat failure. The manual reset is located on the back of the mini in the middle at the bottom. If you have wall mounted your water heater, you may need to unmount it to reach the reset switch.

PLEASE NOTE: MINI TANKS ARE FOR INDOOR PERMANENT INSTALLATIONS ONLY. BEFORE POWERING THE WATER HEATER, BE SURE THAT THE SYSTEM IS COMPLETELY FILLED WITH WATER AND ALL AIR IS REMOVED. THIS MANUAL AND ALL ECOTEMP CONTENT IS SUBJECT TO CHANGE WITHOUT NOTICE. PLEASE VISIT SUPPORT.ECOTEMP.COM FOR MORE INFORMATION.

Eccotemp SMARTHOME Mobile App

ENGLISH

GETTING STARTED

Connect your Water Heater to your Smart Devices

The Eccotemp **SMARTHOME** Mini Tank Water Heater has an easy to use mobile app that will allow you to control functions such as ON/OFF and temperature adjustments. Our mobile app is compatible with **SMARTHOME** devices, such as Amazon Alexa and Google Home, giving you voice command capability. Let the **SMARTHOME** app tell you exactly how much money you save heating water.



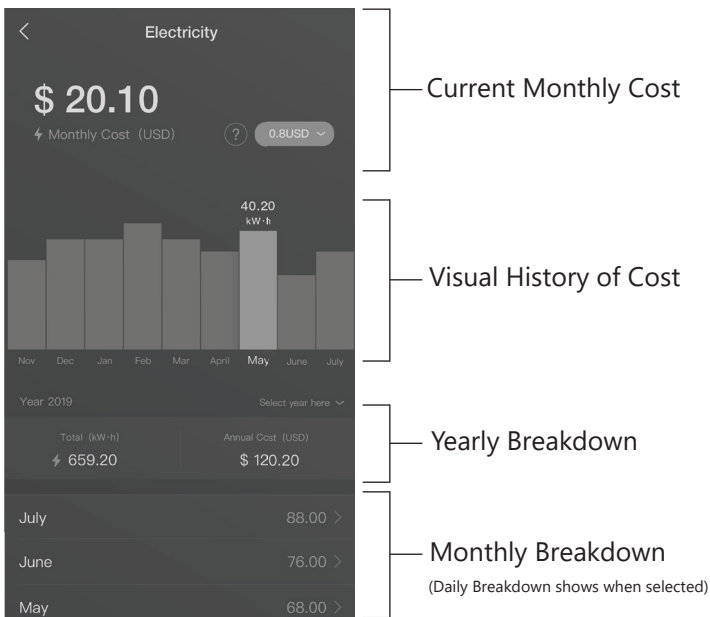
Temperature

The temperature of the ESH can be remotely changed from Eccotemp app.



Statistics

The Eccotemp app allows you to have a record of all device statistics.



PLEASE NOTE: MINI TANKS ARE FOR INDOOR PERMANENT INSTALLATIONS ONLY. BEFORE POWERING THE WATER HEATER, BE SURE THAT THE SYSTEM IS COMPLETELY FILLED WITH WATER AND ALL AIR IS REMOVED. THIS MANUAL AND ALL ECCOTEMP CONTENT IS SUBJECT TO CHANGE WITHOUT NOTICE. PLEASE VISIT SUPPORT.ECCOTEMP.COM FOR MORE INFORMATION.

Eccotemp SMARTHOME Mobile App Continued...



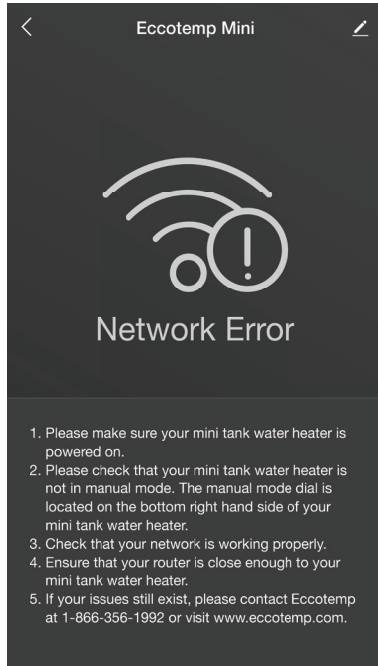
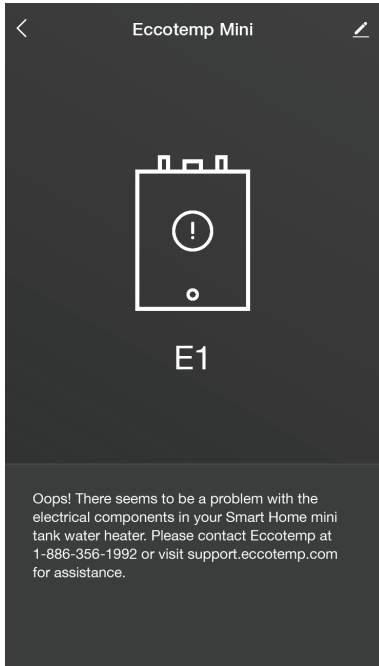
Error Codes

The Eccotemp app has a troubleshooter to diagnose any device errors.



Network Error

The built in network troubleshooter will tell you if there is a WIFI problem.



Have a problem with your Eccotemp ESH? Our **SMARTHOME** app can tell you exactly what the problem is. Download it today to unlock your Eccotemp **SMARTHOME** ESH's full capabilities. Simply search for "Eccotemp" on the Apple App Store or Google Play.

PLEASE NOTE: MINI TANKS ARE FOR INDOOR PERMANENT INSTALLATIONS ONLY. BEFORE POWERING THE WATER HEATER, BE SURE THAT THE SYSTEM IS COMPLETELY FILLED WITH WATER AND ALL AIR IS REMOVED. THIS MANUAL AND ALL ECCOTEMP CONTENT IS SUBJECT TO CHANGE WITHOUT NOTICE. PLEASE VISIT SUPPORT.ECCOTEMP.COM FOR MORE INFORMATION.



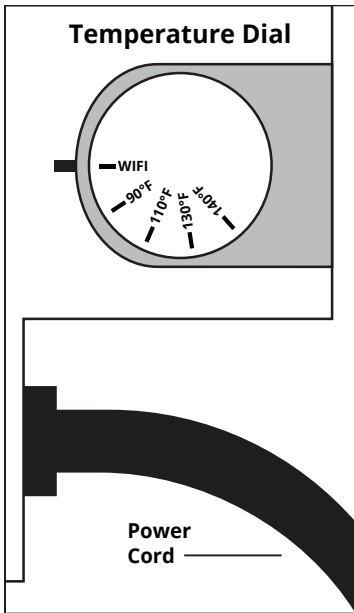
Getting Started

SETTING TEMPERATURE

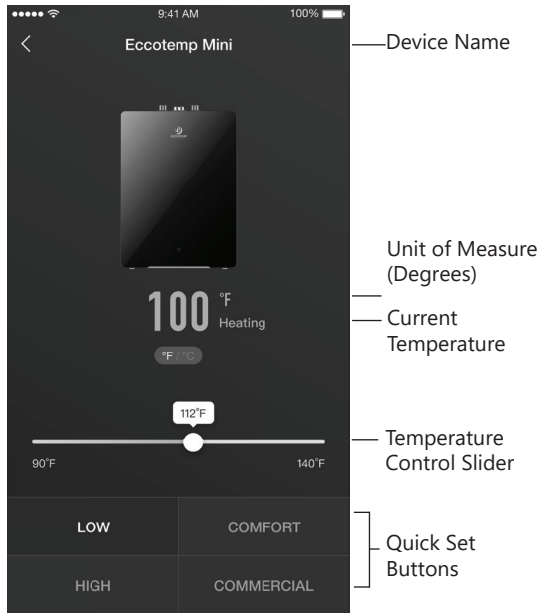
⚠ WARNING! This water heater is designed for 110/120v service - **DO NOT CONNECT TO ANY OTHER VOLTAGE.** Failure to use proper voltage may result in personal injury and/or property damage. If the supplied electrical power cord is either damaged or not long enough, do **NOT** use an extension cord. Have a licensed electrician replace the power cord.

Congratulations! You are now ready to use your water heater. Run the hot water at a nearby sink and evaluate the hot water temperature. Make any temperature adjustments using the section below.

ADJUSTING YOUR THERMOSTAT



*Right Rear of Water Heater



Manual Mode: Turn the dial in either direction to adjust your temperature up or down. Turn clockwise to increase temperature and turn counterclockwise to decrease temperature. Repeat this step until you achieve your desired temperature.

Using the App: When your Mini Tank temperature dial is set to WIFI, it will connect to your smart devices and smart phone to allow you to change the temperature and access the app's other features.

Note: When in manual mode you **WILL NOT** be able to control the Mini Tank remotely through the **SMARTHOME** app.

PLEASE NOTE: MINI TANKS ARE FOR INDOOR PERMANENT INSTALLATIONS ONLY. BEFORE POWERING THE WATER HEATER, BE SURE THAT THE SYSTEM IS COMPLETELY FILLED WITH WATER AND ALL AIR IS REMOVED. THIS MANUAL AND ALL ECCOTEMP CONTENT IS SUBJECT TO CHANGE WITHOUT NOTICE. PLEASE VISIT SUPPORT.ECCOTEMP.COM FOR MORE INFORMATION.

Getting Started

USING THE APP

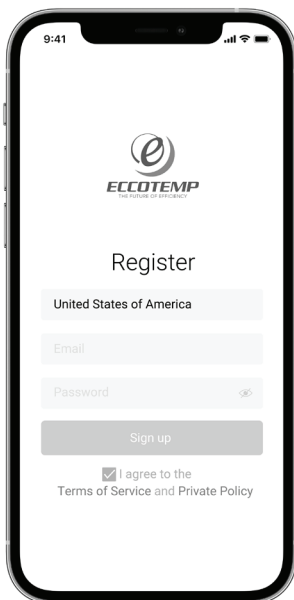
1. Download the App to get Started

Find and download the Eccotemp smart phone app on the Apple App Store or the Google Play Store by typing "Eccotemp" into the search panel.

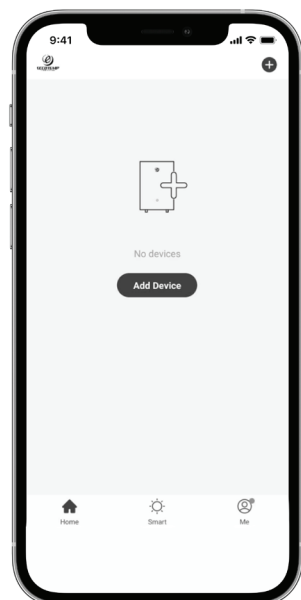
2. Setup and Login

Once the app is installed, create a login and connect the app to the water heater. Follow the directions on screen and make sure the temperature knob, located on the back right side of the water heater, is set to WIFI mode to complete the process.

New User Registration



Add a New Device



PLEASE NOTE: MINI TANKS ARE FOR INDOOR PERMANENT INSTALLATIONS ONLY. BEFORE POWERING THE WATER HEATER, BE SURE THAT THE SYSTEM IS COMPLETELY FILLED WITH WATER AND ALL AIR IS REMOVED. THIS MANUAL AND ALL ECCOTEMP CONTENT IS SUBJECT TO CHANGE WITHOUT NOTICE. PLEASE VISIT SUPPORT.ECCOTEMP.COM FOR MORE INFORMATION.

Getting Started

Using the App

3. Using the App

After connecting the **SMARTHOME** app to the Mini Tank, you will be able to remotely control the temperature and on/off status of the Mini Tank water heater. There is an energy statistics screen that will allow you to track your usage and help you manage your water heater's energy consumption. Regularly using and reviewing the app will help you fine tune your water heating needs, while helping you use less resources to do so, ultimately saving you money.

4. Getting Connected

Connect your Eccotemp **SMARTHOME** Mini Tank to other **SMARTHOME** devices like Amazon Alexa and Google Home. Once connected, the Eccotemp **SMARTHOME** Mini Tank can accept voice commands such as, "Ok Google, turn my mini off."

5. Other Button Functions

- Button blinking rapidly for 120 seconds: This is when the mini is in WIFI connection mode. To start or repeat connection mode hold down the on/off button for 10 seconds.
- Solid blue power button means the mini is off.
- Solid red power button means the mini is on.
- When using the manual mode dial, the Eccotemp smart app will not work.
- The Mini Tank water heater will default to 118 degrees Fahrenheit if a temperature is not set with the app or the knob.

Getting Started

Using Voice Commands

The Eccotemp ESH Mini Tank Water Heater is the first **SMARTHOME** water heater of its kind to work with a mobile app and voice control. Once you open your Google Home or Amazon Alexa App simply add your **SMARTHOME** Mini Tank by adding a new device. Once added to either app you will then be able to use voice commands.

Note: All commands begin with “Alexa,” or “Ok, Google,” before issuing a command to the respective device.

Amazon Alexa

Purpose	Command
Switch On/ Off	Turn on <device name> Turn off <device name>
Set Temperature	Set <device name> to <X> degrees. Decrease <device name> Increase <device name>
Querying the Set Temperature	What’s my <device name> set to?

Google Home

Purpose	Command
Switch On/Off	Turn on <device name> Turn off <device name>
Setting theTemperature	Set the <device name> to <X> Make <device name> warmer/cooler
Querying the Set Temperature	What’s the <device name> set to?

Note: This chart is for demonstration purposes only and available voice commands may vary based on model, updates and location availability.

Maintenance

⚠ NOTICE! When not being used for a lengthy period of time, you can conserve energy by reducing the temperature setting either manually or through the Ecotemp App.

Protect against freeze damage if you plan on not using the water heater for an extended period of time. Unplug your water heater and drain.

HOUSEKEEPING

When properly maintained, your water heater will provide years of dependable trouble-free service. It is recommended that a periodic inspection of the pipe connections be done every 6 months.

At least once a year, lift and release the lever handle on the pressure relief valve. It is located between the hot and cold water lines and make certain the valve operates freely. Allow several gallons to flush through the discharge line to an open drain.

Inspect the area around the water heater to ensure a safe operating environment. Keep the water heater area clear and free from any objects that could damage the water heater. If damage or denting is present, contact a service personnel to verify proper operation.

DO NOT operate the water heater if you feel something is wrong.

DO NOT allow children to operate or otherwise handle the water heater.

⚠ NOTICE! If the pressure relief valve on the hot water heater discharges periodically, this may be due to a problem in the water system. Contact the water supplier or your plumbing contractor on how to correct this. DO NOT plug the relief valve outlet.

DRAINING AND STORAGE

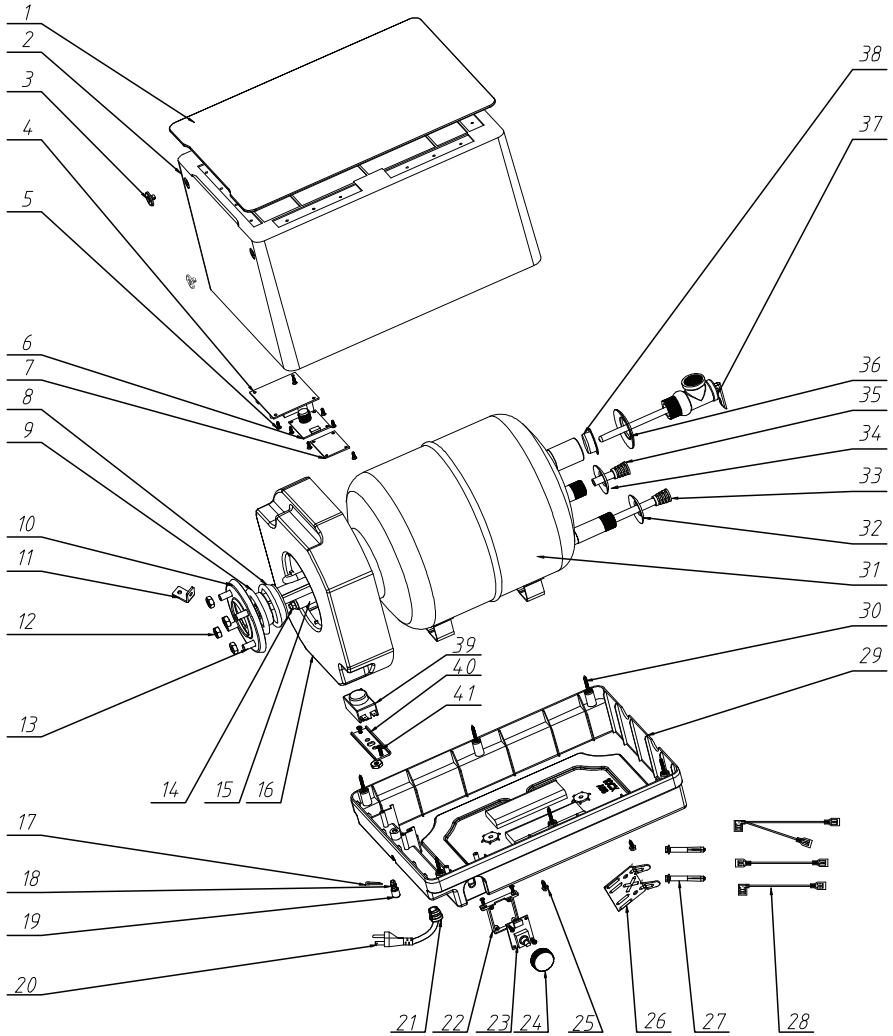
Draining your water heater:

1. Unplug the water heater.
2. Open a hot water faucet to let hot water run out. Allow water to flow until water is no longer hot.
3. Turn off the cold water supply to the water heater.
4. Close the hot water faucet.
5. Disconnect the water heater from both the hot and cold water connections.
6. If possible, siphon out any remaining water.
7. Carefully detach the water heater from the wall (if applicable).
8. Tilt the water heater to drain remaining water out of the heater.

Maintenance

BLOW OUT DIAGRAM

Numbers correspond with chart on page 22



PLEASE NOTE: MINI TANKS ARE FOR INDOOR PERMANENT INSTALLATIONS ONLY. BEFORE POWERING THE WATER HEATER, BE SURE THAT THE SYSTEM IS COMPLETELY FILLED WITH WATER AND ALL AIR IS REMOVED. THIS MANUAL AND ALL ECCOTEMP CONTENT IS SUBJECT TO CHANGE WITHOUT NOTICE. PLEASE VISIT SUPPORT.ECCOTEMP.COM FOR MORE INFORMATION.

Maintenance

*Chart corresponds with diagram on page 21

No.	Part Name	QTY
1	Front Panel (Tempered Glass)	1
2	Front Cover	1
3	Foot Pads	2
4	Power Control PCB	1
5	Self-Tap Screws- C	11
6	Front Control PCB	1
7	Wifi PCB	1
8	Element Sealing Ring	1
9	Heating Element	1
10	Flange Cover	1
11	L Shape Bracket	2
12	Nut(M8)	4
13	Square Head Bolt (M8)	4
14	Magnesium Anode Nut (M6)	1
15	Magnesium Anode Nut	1
16	Plastic Base	1
17	Reset Button Pin	1
18	Spring	1
19	Exterior Reset Button	1
20	Power Cord	1
21	Power Cord Clamp	1
22	Plastic Base	1
23	Temperature Control PCB	1
24	Control Knob	1
25	External Heagon Bolt (Self-tap)	2
26	Mounting Bracket	1
27	Expansion Bolt(M6)	2
28	Internal Wires	1
29	Back Cover	1
30	Cover Installation Screws	6
31	Inner Tank	1
32	Rubber Bushing (Blue)	1
33	Inlet Pipe	1
34	Rubber Bushing (Red)	1
35	Outlet Pipe	1
36	Rubber Bushing (T&P tube)	1
37	T&P valve	1
38	Rubber Cover (T&P tube)	1
39	Temperature Limiter	1
40	Temperature Limiter Bracket	1
41	Self-tap Screws (3.5*16)	2

PLEASE NOTE: MINI TANKS ARE FOR INDOOR PERMANENT INSTALLATIONS ONLY. BEFORE POWERING THE WATER HEATER, BE SURE THAT THE SYSTEM IS COMPLETELY FILLED WITH WATER AND ALL AIR IS REMOVED. THIS MANUAL AND ALL ECCOTEMP CONTENT IS SUBJECT TO CHANGE WITHOUT NOTICE. PLEASE VISIT SUPPORT.ECCOTEMP.COM FOR MORE INFORMATION.

Troubleshooting

BEFORE YOU CALL FOR SERVICE

Save time and money! Review the troubleshooting tips below first and you may not need to call for service.

1. Water does not get hot:

- Make sure the power supply is on and working.
- If the light does not come on, check to see if the reset button has been toggled into the reset position. The reset button can be found on the back of your Mini Tank towards the bottom.
- If the power button is illuminated, but water temperature does not get hot at the sink, test for a plumbing crossover by shutting off the cold water supply to the water heater and opening the hot water tap (there should be no water flowing). Any continuous flow indicates a cross over which will effect the temperature and will need to be corrected.
- If you are unable to determine a plumbing crossover by this method, replacing the heating element may be needed.

2. Power Button not on:

- If the power indicator button light does not come on but the water gets hot, check for faulty power indicator button bulb.
- Check reset button.

3. Brown Water:

Brown or rusty water indicates a spent anode rod. Replace anode rod.

4. Odor in Water:

Smelly water could be due to an unusual reaction between local water and the heater's anode rod. Check anode rod.

5. Water is too hot:

Turn the temperature knob to a lower temperature setting, or use the app to set the temperature to a lower setting. If the water temperature does not lower within 60 minutes, then the thermostat may need to be replaced.

6. Water is not hot enough:

See "Adjusting your Thermostat:" on page 16.

7. Water is leaking:

- Unplug water heater from 110/120v outlet.
- Check and tighten any loose water fittings and/or T&P fitting on the top of the tank as needed.
- Remove cover and inspect heating element gasket to see if it is loose or for any visible damage.

Troubleshooting

Error Codes on the Front Panel and the App

Your Eccotemp **SMARTHOME** Mini Tank can report 2 different errors. If you are using the app, it will explain how you can interact with the water heater itself to diagnose and fix some of the problems. You can also look at the power button and it will blink in a sequence based on the error it is reporting.

Error Code 1: Thermostat Malfunction

When the Mini reports an E1 Error, the power button will blink blue once (1 time) every three (3) seconds until the issue is fixed.

If you have an E1 Error, please contact customer service.

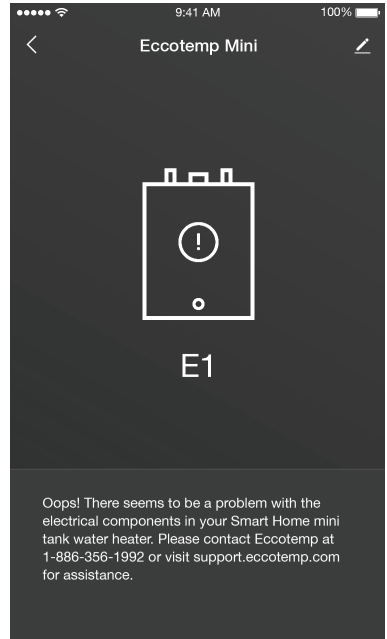
Error Code 2: Rapid Temperature Increase

When the Mini reports an E2 Error, the power button will blink blue twice (2 times) and then pause for three (3) seconds before repeating until the issue is fixed.

A rapid temperature increase is typically caused by the Mini not being full with water. Disconnect the Mini from power, fill the Mini with water, and reconnect the Mini to power to resolve this issue. If the E2 error code does not resolve, please reach out to customer service for further assistance.

No Power:

If the Mini does not seem to have power even though it is plugged in, check the reset button on the back of the Mini to make sure it is not toggled into the reset position. If the reset button is not toggled to the reset position, please contact customer service for further assistance.



WIFI Connectivity:

When your Eccotemp **SMARTHOME** Mini Tank is connecting to WIFI, you will see the power button on the front of the Mini Tank blinking red for up to 60 seconds while it connects. If it is unable to connect during that time, it will try again periodically for up to 15 minutes.

In the event that your water heater does not connect to your WIFI, it will automatically set the temperature to the default temperature of 118° Fahrenheit. Your app will be able to tell you if your heater has connected successfully.

ECCOTEMP SYSTEMS, LLC LIMITED WARRANTY INFORMATION

MODEL(S): ESH-2.5, ESH-4.0

Eccotemp hereby warrants this product to be free of material defects in materials and workmanship when installed and operated according to Eccotemp's installation and operating instructions. This Limited Warranty extends to the original purchaser and subsequent owners, but only while the product remains at the site of the original installation. This Limited Warranty terminates if moved or reinstalled at a new location. There are no warranties, express or implied made or given other than contained in this Limited Warranty. No agent, employee or representative of Eccotemp has any authority to bind Eccotemp to any representation or warranty concerning the Product not contained in this Limited Warranty. Eccotemp reserves the right and authority to change, modify or alter this warranty at any given time.

Except as expressly set forth herein, THERE ARE NO REPRESENTATIONS OR WARRANTIES, EXPRESS OR IMPLIED, INCLUDING, WITHOUT LIMITATION, AS TO MERCHANTABILITY OR FITNESS FOR A PARTICULAR PURPOSE WITH RESPECT TO ANY GOODS SOLD HEREUNDER. BUYER'S EXCLUSIVE REMEDY IS LIMITED TO REPAIR OR REPLACEMENT OF THE GOODS SOLD, AT ECCOTEMP'S DISCRETION. ECCOTEMP SHALL NOT BE LIABLE FOR INCIDENTAL OR CONSEQUENTIAL DAMAGES.

Limited Warranty Period

This Warranty is extended by Eccotemp Systems to the Owner. This warranty takes effect on the date of installation of the Product or 30 days after the date of purchase, whichever occurs first, and is effective until the specified anniversary of such date as follows:

Item Period of Coverage

5 Years limited on Leaks

2 Years Defects

Free Accessories (accessories, hardware pack, etc.) 30 days

Coverages are void if the unit is used in a hot water circulation loop, in series with a circulation system or where an on-demand recirculation system is not incorporated. The EM Mini Tank series is approved for commercial use.

Eccotemp will provide 1 round of parts per incident (deemed by Eccotemp Support Team) under the warranty prior to requesting the shipment of any item to our warehouse for repair/inspection.

For Customers With a Home Warranty

Often your home warranty will assist in covering some of the fees related to your home appliances, such as your water heater. Be sure to check with your home warranty company for assistance prior to reaching out to Eccotemp.

Shipping Related Costs:

US ORDERS

Within the first 45 days of purchase, Eccotemp will cover all ground shipping costs for warranty related issues, excluding AK, HI and any location outside of the continental US. After the first 45 days of purchase, the customer is responsible for all shipping to Eccotemp, regardless of reason or circumstance. Eccotemp will cover the warranty related shipping costs when returning a product to a customer after repair/inspection. The method for warranty related shipping will be Ground equivalent with the provider of Eccotemp's choosing.

CANADA ORDERS

Within the first 45 days of purchase, Eccotemp will cover all ground shipping costs for warranty related issues. After the first 45 days of purchase, the customer is responsible for all shipping to Eccotemp, regardless of reason or circumstance. Eccotemp will cover the warranty related shipping costs when returning a product to a customer. The method for warranty related shipping will be Ground equivalent with the provider of Eccotemp's choosing.

All shipments of any type of product coming to Eccotemp for any reason must have an RGA for any repairs to be made. Please contact Eccotemp to obtain an RGA number prior to shipping anything to Eccotemp. Failure to do so could result in loss of product. Eccotemp will not be responsible for replacement due to loss or damage if these steps are not properly followed.

US

Eccotemp Systems>Returns Department
315-A Industrial Rd.
Summerville, SC 29483

CANADA

Eccotemp Systems>Returns Department
CO Eccotemp Canada
Ottawa Logistics
1270 Humber Place
Ottawa Ontario K1B 3W3

PLEASE NOTE: MINI TANKS ARE FOR INDOOR PERMANENT INSTALLATIONS ONLY. BEFORE POWERING THE WATER HEATER, BE SURE THAT THE SYSTEM IS COMPLETELY FILLED WITH WATER AND ALL AIR IS REMOVED. THIS MANUAL AND ALL ECCOTEMP CONTENT IS SUBJECT TO CHANGE WITHOUT NOTICE. PLEASE VISIT SUPPORT.ECCOTEMP.COM FOR MORE INFORMATION.



Support: Support.Eccotemp.com



Shop Online: Eccotemp.com



Store Locator: Eccotemp.com/locator



Exclusions

Please refer to the Installation Manual and Use & Care Manual supplied with your new Eccotemp Systems product. This Limited Warranty becomes null and void if any of the following are determined to be a contributing factor by Eccotemp to the failure of the product:

1. Abuse, misuse, alteration, neglect or misapplication.
2. Improper, dangerous, destructive maintenance procedures or inadequate maintenance.
3. Damages caused by services performed by servicers other than Eccotemp Systems.
4. Installation in a corrosive or otherwise destructive environment.
5. Damage as a result of freezing within the unit or surrounding piping.
6. Scale buildup.
7. Incorrect gas or water pressure.
8. Acts of force Majeure.
9. Damage as a result of use with non-potable, untreated or poorly treated well water, or water with high PH levels or hardness levels in excess of 12 grains per gallon (200mg/L).
10. Incorrect sizing for the application.
11. Products with original serial numbers that have been removed or altered and cannot be readily determined.
12. Acts of God including, but not limited to; fire, flood, or natural disaster.

This Product is not to be used as a pool or spa heater.

In the event of an Eccotemp Systems recognized defect, malfunction, or failure to conform to this Warranty and based upon Eccotemp approval of warranty claim, Eccotemp Systems, at its sole and absolute discretion, will settle the warrant claim of such defect, malfunction, or failure to conform to this Warranty. In order to make a claim under this Warranty, The Owner must notify Eccotemp of the failure of the Product to conform to this Warranty.

Under this Warranty, Eccotemp Systems will only provide replacement parts as described in the "Limited Warranty Period". The Owner will be responsible for any cost incurred including labor costs for servicing the unit, shipping, delivery, and handling of the replacement part, cost for permits or materials necessary for the repair, or incidental costs resulting from damage external to the unit resulting from the failure.

NOTWITHSTANDING ANYTHING IN THIS WARRANTY TO THE CONTRARY, EXCEPT FOR ECCOTEMP SYSTEMS' AFFIRMATIVE OBLIGATIONS EXPRESSLY SET FORTH IN THIS WARRANTY, ECCOTEMP SYSTEMS DISCLAIMS ANY AND ALL WARRANTIES, EITHER EXPRESS OR IMPLIED, REGARDING THE PRODUCT AND ITS FUNCTIONALITY, PERFORMANCE, MERCHANTABILITY, FITNESS FOR PARTICULAR PURPOSE OR INTELLECTUAL PROPERTY RIGHTS. ECCOTEMP SYSTEMS DISCLAIMS ALL OTHER OBLIGATIONS OR LIABILITIES ON ITS PART AND NEITHER ASSUMES NOR AUTHORIZES ANY OTHER PERSON TO ASSUME FOR ECCOTEMP SYSTEMS ANY OTHER LIABILITIES IN CONNECTION WITH THE PERFORMANCE OF THE PRODUCT. THIS WARRANTY ONLY COVERS REPLACEMENT PARTS AND DOES NOT COVER COST OF LABOR OR SERVICES UNDER ANY CIRCUMSTANCES.

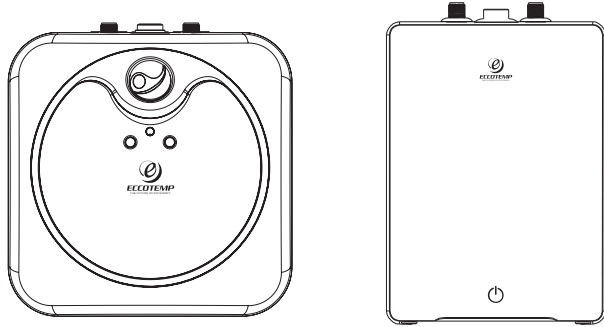
This warranty only applies to the 50 states of the U.S.A and Territories of Canada. Eccotemp Systems shall not be liable for any claim or demand against Eccotemp Systems by any other party for damages of any kind, including, but not limited to incidental and consequential damages, arising out of the subject matter of this Agreement. Some States do not allow exclusion or limitation of incidental or consequential damages, so the above limitation or exclusion may not apply to you. This warranty gives you specific legal rights. You may also have other rights that vary from State to State.

Please Note: This warranty and all Eccotemp content is subject to change. Please refer to support.eccotemp.com for the most updated version. For further questions, please email our support team at support@eccotemp.com.

PLEASE NOTE: MINI TANKS ARE FOR INDOOR PERMANENT INSTALLATIONS ONLY. BEFORE POWERING THE WATER HEATER, BE SURE THAT THE SYSTEM IS COMPLETELY FILLED WITH WATER AND ALL AIR IS REMOVED. THIS MANUAL AND ALL ECCOTEMP CONTENT IS SUBJECT TO CHANGE WITHOUT NOTICE. PLEASE VISIT SUPPORT.ECCOTEMP.COM FOR MORE INFORMATION.

Product Comparison

If you like the Eccotemp **SMARTHOME** Mini Tank, you'll also like our EM Series Mini Tanks! You can get more information about these miniature tanks and Eccotemp's Tankless Water Heaters at www.Eccotemp.com

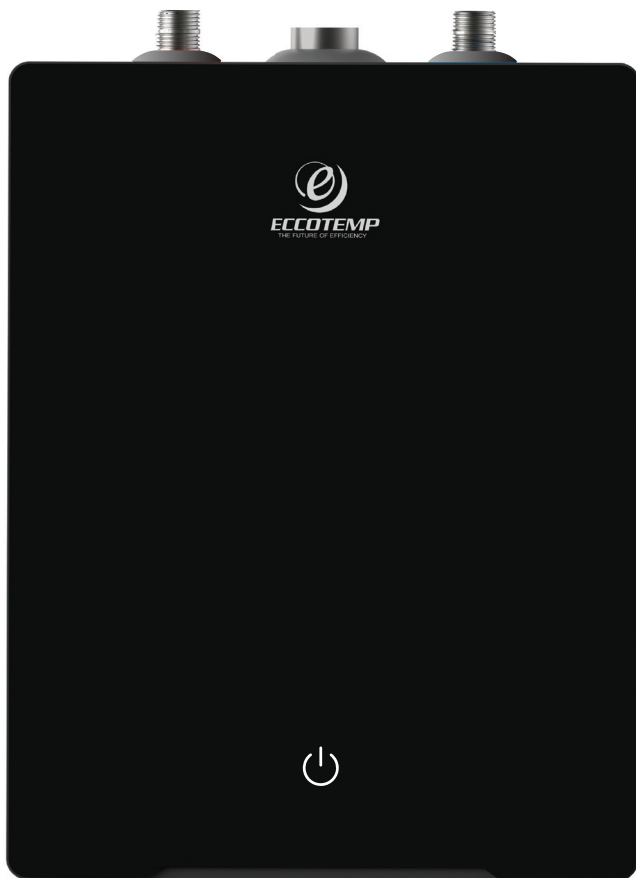


	EM Series Mini Tank	ESH Series Mini Tank
INSTALLATION	INDOOR ONLY	INDOOR ONLY
Tank Volume	2.5 Gallon, 4 Gallon, and 7 Gallon Models	2.5 Gallon and 4 Gallon Models
Voltage	110/120	110/120
AMPS	12	12
Phase	Single	Single
Temperatures	50-140 F	50-140 F
Heating Capacity	1400 Watts	1440 Watts
Max Operating Pressure	150 psi	150 psi
Fittings	1/2 NPT Connections	1/2 NPT Connections
Warranty	5 years Limited on Leaks 2 years Defects	5 years Limited on Leaks 2 years Defects
Outer Case	Plastic	Tempered Glass / Plastic
Manual Mode	✓	✓
SmartHome	✗	✓
Mobile App	✗	✓
Voice Commands	✗	✓
Smart ON/OFF	✗	✓
Advanced Error Detection	✗	✓
Suggested Uses	Boats, Campers, Tiny Homes, Food Carts, RV's Homes, Under the Sink, Offices, Cottages, Kitchens, Utility Rooms, Apartments, Food Trucks	Boats, Campers, Tiny Homes, Food Carts, RV's Homes, Under the Sink, Offices, Cottages, Kitchens, Utility Rooms, Apartments, Food Trucks

PLEASE NOTE: MINI TANKS ARE FOR INDOOR PERMANENT INSTALLATIONS ONLY. BEFORE POWERING THE WATER HEATER, BE SURE THAT THE SYSTEM IS COMPLETELY FILLED WITH WATER AND ALL AIR IS REMOVED. THIS MANUAL AND ALL ECCOTEMP CONTENT IS SUBJECT TO CHANGE WITHOUT NOTICE. PLEASE VISIT SUPPORT.ECCOTEMP.COM FOR MORE INFORMATION.

HOGAR INTELIGENTE

MINI TANQUE CALENTADOR DE AGUA MANUAL DE INSTALACIÓN, USO Y CUIDADO



BOTÓN
INTELIGENTE



COMANDOS DE
VOZ INTELIGENTES



SMARTHOME LISTO



DETECCIÓN DE
ERROR AVANZADA



CALEFACCIÓN DIGITAL
DE PRECISIÓN



TABLERO DE CONTROL
INTELIGENTE

CALENTANDO EL AGUA MÁS INTELIGENTE

"Alexa,
Enciende mi mini calentador
de agua"



"Ok Google,
Ajuste mi mini calentador
de agua a 110 °"



CALENTADOR DE AGUA MINI TANQUE HOGAR INTELIGENTE

MODELO	ESH-2.5
POTENCIA NOMINAL	1440W
VOLTAJE CLASIFICADO	120V ~ 60Hz
CAPACIDAD DEL TANQUE	2.5 gal
PRESIÓN MÁXIMA CLASIFICADA	150 psi

Cumple con UL STD. 174 Certificado para CSA STD. C22.2 NO. 110

NÚMERO DE SERIE

CALENTADOR DE AGUA MINI TANQUE HOGAR INTELIGENTE

MODELO	ESH-4.0
POTENCIA NOMINAL	1440W
VOLTAJE CLASIFICADO	120V ~ 60Hz
CAPACIDAD DEL TANQUE	4.0 gal
PRESIÓN MÁXIMA CLASIFICADA	150 psi

Cumple con UL STD. 174 Certificado para CSA STD. C22.2 NO. 110

NÚMERO DE SERIE

⚠ PELIGRO



Temperatura del agua superior a 125 F (52 C) puede causar quemaduras graves al instante o escaldaduras de muerte. Los niños, discapacitados y ancianos corren el mayor riesgo de ser escaldado Ver manual de instrucciones antes de ajustar la temperatura en el calentador de agua. Siente agua antes de bañarte o ducharse Limitación de temperatura valores disponibles, ver manual.

- ⚠ ¡PRECAUCIÓN!** Cuando se conecte una fuente de calor suplementaria al calentador de agua eléctrico con tanque de almacenamiento certificado para uso domestico, se deben tomar las previsiones necesarias para evitar que la temperatura de dicha fuente exceda la configurada en el termostato del calentador.
- ⚠ ¡PRECAUCIÓN!** En caso de que el calentador de agua se conecte a un equipo de calentamiento suplementario, será necesario ajustar ambos termostatos (tanto el del calentador como el de la fuente suplementaria) a la misma temperatura. De no hacerlo se podría perder el control apropiado de la temperatura.
- ⚠ ¡PRECAUCIÓN!** Para reducir el riesgo de descargas eléctricas o incendios, solo utilice con un voltaje de alimentación trifásico máximo de 125/250 voltios.
- ⚠ ¡PRECAUCIÓN!** Para reducir el riesgo de descargas eléctricas, conecte debidamente el aterramiento del calentador de agua. Para información detallada consulte las instrucciones.
- ⚠ ¡PRECAUCIÓN!** Instale los equipos de protección contra temperatura y presión requeridos por los códigos locales, pero nunca con prestaciones menores a las de una válvula de alivio combinada para presión y temperatura certificada de acuerdo al estándar ANSI 21.22 por parte de un laboratorio de pruebas reconocido que mantenga inspecciones periódicas de la producción de los equipos o materiales listados bajo dicho estándar. La válvula antes mencionada debe ser orientada, suministrada con sus respectivas tuberías o de alguna otra manera instalada de forma que la descarga solo pueda salir a seis pulgadas por encima del suelo estructural, o a cualquier distancia por debajo del mismo, sin posibilidad de contacto con ningún elemento eléctrico energizado.
- ⚠ ¡PELIGRO!** Para reducir el riesgo de descargas eléctricas, desconecte la fuente de poder antes de reemplazar el dispositivo limitador de temperatura.
- ⚠ ¡PRECAUCIÓN!** Para reducir el riesgo de presiones y temperaturas excesivas en este calentador de agua, instale el equipo de protección de temperatura y presión requerido por los códigos locales y no menos que una válvula combinada de alivio de temperatura y presión certificada por un laboratorio de pruebas reconocido a nivel nacional que realice inspecciones periódicas de la producción de equipos o materiales, que cumplan los requisitos para válvulas de alivio y dispositivos de cierre automático de gas para sistemas de suministro de agua caliente, ANSIZ21.22. Esta válvula debe estar marcada con una presión de ajuste máxima que no exceda la presión de trabajo máxima marcada del calentador de agua. Instale la válvula en una abertura provista y marcada para este propósito en el calentador de agua, y oriéntela o provea un tubo para que cualquier descarga de la válvula alcance solo 6 pulgadas arriba, o a cualquier distancia debajo del piso estructural, y no contacte cualquier parte eléctrica con corriente. La abertura de descarga no debe bloquearse ni reducirse de tamaño bajo ninguna circunstancia.

TENGA EN CUENTA: LOS MINI TANQUES SON SOLO PARA INSTALACIONES PERMANENTES INTERIORES. ANTES DE ENCENDER EL CALENTADOR DE AGUA, ASEGÚRESE DE QUE EL SISTEMA SE LLENE COMPLETAMENTE DE AGUA Y QUE SE quite todo el aire. ESTE MANUAL Y TODO EL CONTENIDO DE ECCOTEMP ESTÁ SUJETO A CAMBIOS SIN PREVIO AVISO. VISITE SUPPORT.ECCOTEMP.COM PARA MÁS INFORMACIÓN.

CALENTADOR DE AGUA CON MINI TANQUE ECCOTEMP HOGARINTELIGENTE

Manual de Uso y Cuidado

Con instrucciones de instalación para el instalador

APLICACIÓN

Punto de Uso

INSTALACIÓN

En Interiores

CAPACIDAD

2.5 gal / 4 gal

Información de seguridad
Precauciones de Seguridad _____ 30

Información General
Introducción _____ 31

Especificaciones Técnicas
Información Específica del Modelo _____ 32
Diagrama de Cableado _____ 33
Instrucciones de Instalación _____ 34
Conexiones de Agua _____ 35
Válvula de Alivio de Presión _____ 36-37

Empezando
Llenando el Calentador de Agua _____ 38
Usando la Aplicación Móvil _____ 39-40
Ajuste de la Temperatura _____ 41
Comandos de Voz _____ 44

Mantenimiento
Limpieza Interna _____ 45
Diagrama de Soplado _____ 46-47
Solución de Problemas _____ 48-49

Información de Garantía
Garantía _____ 50-51
Comparación de Productos _____ 52

¡FELICITACIONES!

Ha adquirido un calentador de agua con mini tanque Eccotemp nuevo. ¡Esto le abrirá un mundo de posibilidades para el uso y disfrute del agua caliente!

Le recomendamos encarecidamente tomarse el tiempo de leer todos los procedimientos de seguridad y de instalación contenidos en el presente manual antes de intentar instalar su nuevo calentador de agua con mini tanque.

En caso de tener dudas, por favor consúltenos a través de nuestro centro de servicio al cliente en support.eccotemp.com.

— POR FAVOR CONSERVE EL MANUAL DE INSTRUCCIONES PARA CONSULTAR EN EL FUTURO

PARA SUS ARCHIVOS

Escriba su número de serie aquí: # _____

Podrá encontrarlo en una etiqueta sobre el aparato o en el empaque. Engrape la factura o el recibo de compra aquí. Se necesitará una prueba de la fecha de compra para obtener servicio de acuerdo a la garantía.

LEA ESTE MANUAL

En el mismo encontrará muchos consejos acerca del uso y cuidado apropiado de su calentador de agua. Unos pocos cuidados preventivos de su parte le ayudarán a ahorrar tiempo y dinero durante la vida de su calentador de agua. Encontrará muchas respuestas a problemas comunes en la guía de resolución de fallas. Si revisa la tabla de resolución de fallas con antelación, quizá no necesite llamar a servicio.

LEA LA INFORMACIÓN DE SEGURIDAD

Su seguridad y la de los demás es muy importante. En este manual y en su calentador de agua hay muchos mensajes de seguridad importantes. Lea y obedezca en todo momento los mensajes de seguridad. Este es el símbolo de alerta de seguridad. Reconózcalo como un indicador de información importante de seguridad. Este símbolo le alertará acerca de peligros potenciales que podrían tener consecuencias fatales para usted u otros.

Todos los mensajes de seguridad seguirán al símbolo de alerta de seguridad y a las palabras: "PELIGRO", "ADVERTENCIA", "PRECAUCIÓN" o "AVISO". Estas palabras significan:

- ⚠ ¡ADVERTENCIA!** - Una situación potencialmente peligrosa que podría ocasionar la muerte, heridas graves o daños a la propiedad.
- ⚠ ¡PELIGRO!** - Una situación peligrosa que definitivamente resultaría en heridas graves o inclusive la muerte.
- ⚠ ¡PRECAUCIÓN!** - Una situación potencialmente peligrosa que podría ocasionar heridas menores o moderadas.
- ⚠ ¡AVISO!** - Se llama la atención para ejecutar un procedimiento específico o para mantener una condición específica.

TENGA EN CUENTA: LOS MINI TANQUES SON SOLO PARA INSTALACIONES PERMANENTES INTERIORES. ANTES DE ENCENDER EL CALENTADOR DE AGUA, ASEGÚRESE DE QUE EL SISTEMA SE LLENE COMPLETAMENTE DE AGUA Y QUE SE quite todo el aire. ESTE MANUAL Y TODO EL CONTENIDO DE ECCOTEMP ESTÁ SUJETO A CAMBIOS SIN PREVIO AVISO. VISITE SUPPORT.ECCOTEMP.COM PARA MÁS INFORMACIÓN.

INSTRUCCIONES DE SEGURIDAD IMPORTANTES

⚠ ¡ADVERTENCIA! Cuando se utilicen aparatos eléctricos, se deben tomar las correspondientes precauciones de seguridad a fin de reducir los riesgos de incendio, de descargas eléctricas o de heridas a personas.

1. LEA TODAS LAS INSTRUCCIONES ANTES DE UTILIZAR ESTE CALENTADOR DE AGUA.
2. Este calentador de agua debe estar aterrado. Conéctelo solamente a un tomacorriente aterrado de forma correcta. Consulte la sección ENERGIZAR EL CALENTADOR DE AGUA en la página 13.
3. Instale o ubique este calentador de agua solo en lugares donde se puedan cumplir las instrucciones de instalación.
4. Utilice este calentador de agua solo para los usos específicos descritos en este manual.
5. No utilice un cable de extensión con este calentador de agua. Si no hay una fuente de energía disponible cerca del calentador de agua de agua, contacte a un electricista calificado para que instale un receptáculo debidamente.
6. Como con todo otro aparato, se necesita una supervisión cuidadosa cuando sea utilizado por niños.
7. No opere este calentador de agua si tiene un cable o conector eléctrico dañado, si no está funcionando adecuadamente, si se ha dañado, o se ha caído.
8. Solo personal de servicio calificado debe intervenir este calentador de agua. Contacte el centro de servicios más cercano cuando surjan dudas o se requieran servicios.

MANTENGA ESTAS INSTRUCCIONES

El fabricante y/o distribuidor no es responsable por daños producto de una instalación inapropiada o de no seguir las instrucciones indicadas en el presente manual.

SE RECOMIENDA QUE UN TÉCNICO CALIFICADO Y CON LICENCIA SEA EL QUE INSTALE EL CALENTADOR DE AGUA Y REALICE TODOS LOS TRABAJOS DE SERVICIO Y/O MANTENIMIENTO.

¡IMPORTANTE!

LLENE COMPLETAMENTE EL TANQUE CON AGUA Y DEJE CORRER LA MISMA A TRAVÉS DEL GRIFO DE AGUA CALIENTE ANTES DE ENERGIZAR EL CALENTADOR POR PRIMERA VEZ, DE LO CONTRARIO SE PODRÍAN OCASIONAR DAÑOS.

⚠ ¡PRECAUCIÓN!

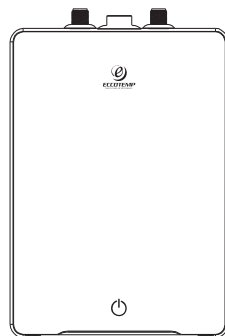
Se puede producir gas de hidrógeno en un sistema de agua caliente servido por este calentador que no se mantenga en uso por un largo intervalo de tiempo (por lo general de 2 semanas o más) El gas hidrógeno es extremadamente inflamable. Para reducir el riesgo bajo esas condiciones, se recomienda que el grifo de agua caliente se abra por varios minutos en los lavabos más cercanos y más lejanos servidos desde este calentador de agua antes de usar algún aparato eléctrico conectado al sistema de agua caliente (como por ejemplo un lavavajillas). Si hay gas hidrógeno presente, probablemente se podrá oír un sonido inusual de aire escapando a través del grifo a medida que el agua comience a fluir. No debería haber nadie fumando o ninguna llama cerca del grifo en este momento.

TENGA EN CUENTA: LOS MINI TANQUES SON SOLO PARA INSTALACIONES PERMANENTES INTERIORES. ANTES DE ENCENDER EL CALENTADOR DE AGUA, ASEGÚRESE DE QUE EL SISTEMA SE LLENE COMPLETAMENTE DE AGUA Y QUE SE quite todo el aire. ESTE MANUAL Y TODO EL CONTENIDO DE ECCOTEMP ESTÁ SUJETO A CAMBIOS SIN PREVIO AVISO. VISITE SUPPORT.ECCOTEMP.COM PARA MÁS INFORMACIÓN.

Información General

El calentador de agua con mini tanque Eccotemp HOGARINTELIGENTE puede usarse en la mayoría de los botes, casas, hogares pequeños, vehículos recreativos, bajo el fregadero, en oficinas, casas de campo, cuartos de servicios, apartamentos y camiones de comida rápida. Los modelos mini tanques Eccotemp HOGARINTELIGENTE están diseñados para suministrar agua caliente a todos los lavamos y lavaplatos de cocina en un ambiente residencial.

Los modelos mini tanques Eccotemp HOGARINTELIGENTE pueden reemplazar a los calentadores de agua centralizados tradicionales, conservando el agua y reduciendo los desperdicios de energía.



Los calentadores de agua con mini tanque Eccotemp HOGARINTELIGENTE son ligeros, compactos y fabricados para fácil instalación. Los modelos de mini tanques Eccotemp HOGARINTELIGENTE pueden montarse en la pared usando los accesorios proporcionados o pueden sostenerse sobre su propio pie.

Los modelos de mini tanques Eccotemp HOGARINTELIGENTE están diseñados para operar a un valor de presión máxima de 150 psi. Si su presión de agua es mayor a 150 psi, deberá instalar una válvula reductora de presión.

Los calentadores de agua con mini tanque Eccotemp HOGARINTELIGENTE también son compatibles con una aplicación para dispositivos móviles que puede descargarse desde el Apple App Store y la Google Play Store. Busque la palabra "Eccotemp" para encontrar la app de manera sencilla, bajarla, instalarla y comenzar a utilizarla a fin de configurar su instalación. Una vez que tenga la app instalada, podrá utilizarla para ajustar la temperatura a través de su teléfono inteligente o cualquier otro dispositivo HOGARINTELIGENTE, a fin de mejorar la eficiencia energética de su hogar.

- ⚠ **¡PRECAUCIÓN! El fabricante no puede ser responsable por daños producto de una instalación inapropiada o de no seguir las instrucciones indicadas en el presente manual. Siga las instrucciones de instalación antes de conectar el equipo a una toma eléctrica.**
- ⚠ **¡PRECAUCIÓN! El termostato se ha preajustado en la fábrica a 125 ° F (51.7 ° C) o menos para reducir el riesgo de lesiones por escaldadura.**
- ⚠ **¡ADVERTENCIA! El instalador debe revisar los contenidos de este manual junto con el propietario en lo que se termine la instalación. El manual debería permanecer con el propietario, para ser guardado en algún sitio cercano al calentador de agua.**

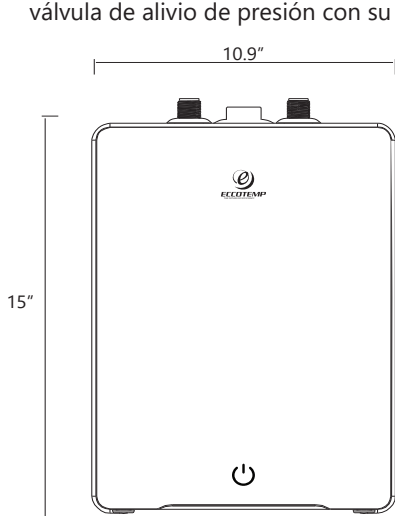
TENGA EN CUENTA: LOS MINI TANQUES SON SOLO PARA INSTALACIONES PERMANENTES INTERIORES. ANTES DE ENCENDER EL CALENTADOR DE AGUA, ASEGÚRESE DE QUE EL SISTEMA SE LLENE COMPLETAMENTE DE AGUA Y QUE SE quite todo el aire. ESTE MANUAL Y TODO EL CONTENIDO DE ECCOTEMP ESTÁ SUJETO A CAMBIOS SIN PREVIO AVISO. VISITE SUPPORT.ECCOTEMP.COM PARA MÁS INFORMACIÓN.

Especificaciones Técnicas

Modelos: Mini tanques Eccotemp HOGARINTELIGENTE ESH 2.5 y ESH 4.0

Actualmente existen dos modelos de mini tanques Eccotemp HOGARINTELIGENTE, uno de 2.5 galones y otro de 4 galones. El recipiente de presión (tanque de agua) viene soldado, es hecho con acero revestido de vidrio, y está equipado con una varilla de ánodo. El agua se suministra mediante conexiones NPT estándar de 1/2 pulgada.

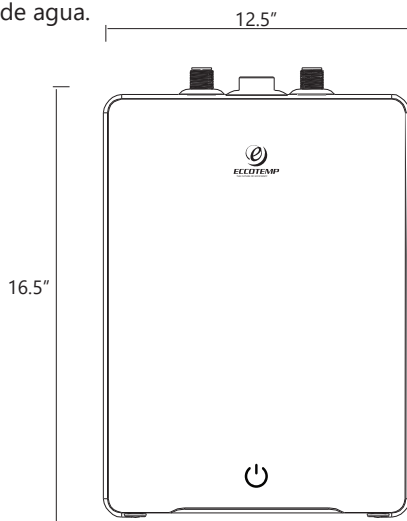
El calentador de agua de agua está equipado con un termostato y un interruptor de temperatura de alto límite que puede controlarse desde la aplicación Eccotemp HOGARINTELIGENTE o mediante controles manuales. También se suministra una válvula de alivio de presión con su calentador de agua.



ESH 2.5

Peso cuando está vacío: 20 lbs.

Peso cuando está lleno: 40 lbs.



ESH 4.0

Peso cuando está vacío: 25lbs.

Peso cuando está lleno: 58 lbs.

⚠ ¡AVISO! Para usar las configuraciones WIFI debe asegurarse de que la perilla manual de temperatura esté en la opción del modo.

ACCESORIOS INCLUIDOS



Válvula de Alivio de Presión y Temperatura



Placa de Montaje

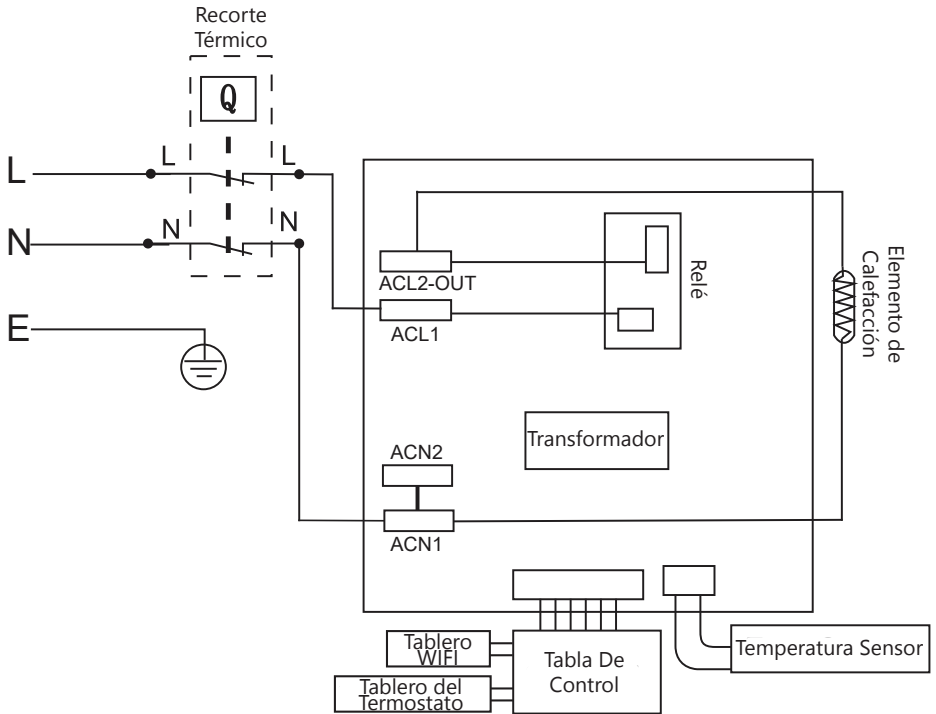


Anclajes Para montaje

TENGA EN CUENTA: LOS MINI TANQUES SON SOLO PARA INSTALACIONES PERMANENTES INTERIORES. ANTES DE ENCENDER EL CALENTADOR DE AGUA, ASEGÚRESE DE QUE EL SISTEMA SE LLENE COMPLETAMENTE DE AGUA Y QUE SE quite todo el aire. ESTE MANUAL Y TODO EL CONTENIDO DE ECCOTEMP ESTÁ SUJETO A CAMBIOS SIN PREVIO AVISO. VISITE SUPPORT.ECCOTEMP.COM PARA MÁS INFORMACIÓN.

Especificaciones Técnicas

Diagrama de Cableado



Especificaciones eléctricas, de presión y de recuperación

Datos Técnicos			
MODELO	Unidad	ESH-2.5	ESH-4.0
Capacidad	Galones	2.5	4.0
Voltaje	VAC	110-120	110-120
Potencia @ 120 VAC	Vatios	1440	1440
Máx. Presión de Agua	Psi	150	150
Peso (vacío)	Lb.	20	25
Amperaje	Amperios	12	12
Fases		1	1
Instalación de Tuberías	Pulgadas	1/2 pulgada NPT	1/2 pulgada NPT

TENGA EN CUENTA: LOS MINI TANQUES SON SOLO PARA INSTALACIONES PERMANENTES INTERIORES. ANTES DE ENCENDER EL CALENTADOR DE AGUA, ASEGÚRESE DE QUE EL SISTEMA SE LLENE COMPLETAMENTE DE AGUA Y QUE SE quite TODO EL AIRE. ESTE MANUAL Y TODO EL CONTENIDO DE ECCOTEMP ESTÁ SUJETO A CAMBIOS SIN PREVIO AVISO. VISITE SUPPORT.ECCOTEMP.COM PARA MÁS INFORMACIÓN.

Instrucciones de Instalación

Un profesional con licencia debe realizar la instalación apegándose a todos los códigos estatales y locales. El fabricante no podrá hacerse responsable de ningún daño en el caso de que no se hayan cumplido las presentes instrucciones de instalación o en el caso de una instalación mal ejecutada por parte de un instalador no calificado.

ESCOJA UNA UBICACIÓN

Seleccione una ubicación que permita fácil acceso para mantenimiento, idealmente con unas 9 pulgadas de espacio libre hacia arriba del equipo.

Nota: Solo instale el equipo en posición vertical.

Soporte libre Sobre el Suelo

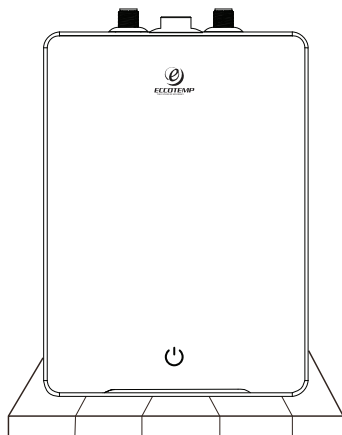
Colóquelo de pie en el suelo bajo el lavabo o en un gabinete, tal como se muestra en el diagrama de abajo o en la cubierta frontal de este manual.

Nota: asegúrese de dejar por lo menos nueve (9) pulgadas de espacio libre sobre el calentador de agua.

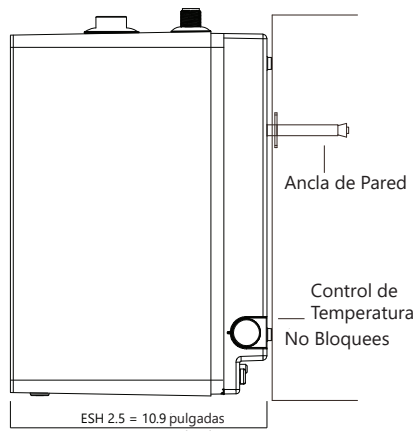
Montaje en pared

Instale el soporte de montaje proporcionado en la pared. Utilice tornillos adecuados para el material de la pared y que puedan soportar el peso del calentador de agua lleno a su capacidad total (ESH-2.5-40 libras.; ESH-4.0- 58 libras.). Cuelgue el calentador de agua en el soporte y hale hacia abajo para asegurarse de que quede bien fijado.

Nota: confirme la orientación de las tuberías de agua (caliente y fría) antes de realizar el montaje en la pared.



Independiente en el Piso



Montado en la Pared

TENGA EN CUENTA: LOS MINI TANQUES SON SOLO PARA INSTALACIONES PERMANENTES INTERIORES. ANTES DE ENCENDER EL CALENTADOR DE AGUA, ASEGÚRESE DE QUE EL SISTEMA SE LLENE COMPLETAMENTE DE AGUA Y QUE SE quite todo el aire. ESTE MANUAL Y TODO EL CONTENIDO DE ECCOTEMP ESTÁ SUJETO A CAMBIOS SIN PREVIO AVISO. VISITE SUPPORT.ECCOTEMP.COM PARA MÁS INFORMACIÓN.

Instrucciones de Instalación

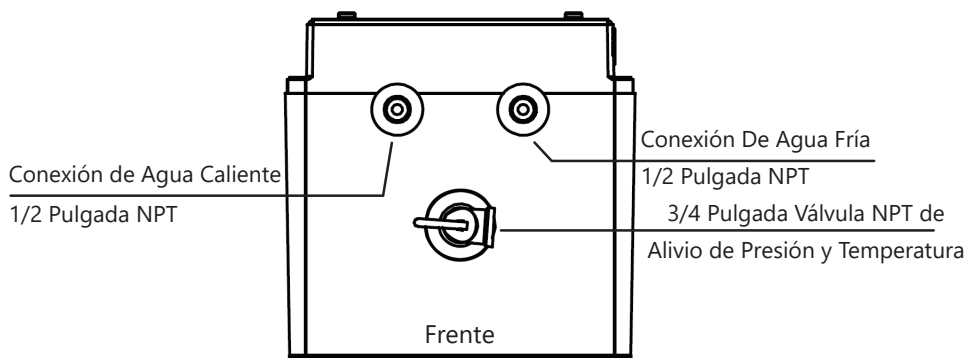
CONEXIONES DE AGUA

Las conexiones de agua deben coincidir con la orientación de las tuberías en el sitio de la instalación. Confirme que haya suficiente espacio para colocar las mangueras de las tomas de entrada y salida del calentador de agua.

Nota: Si sus tuberías de agua son de cobre o de bronce, asegúrese de usar conexiones dieléctricas para prevenir la corrosión. De no hacerlo podría causar daños a su tanque e invalidar la garantía. A fin de proteger el calentador de agua de posibles daños por el calor resultante de una soldadura, realice las soldaduras que sean necesarias lejos del equipo, usando conexiones roscadas para conectarse al tanque.

1. Instale una válvula de corte en línea con la tubería de agua fría.
2. Conecte la tubería de agua fría al niple de entrada, marcado con un anillo azul.
3. Conecte la tubería de agua caliente al niple de salida, marcado con un anillo rojo.

⚠ AVISO: No intente remover la arandela de goma.



Vista Desde Arriba

IMPORTANTE: De no proveer aislamiento dieléctrico se podrían ocasionar fallas prematuras en el tanque o niples, anulando su garantía. La válvula de alivio de presión y temperatura (válvula T&P) se usa para mantenimiento; la misma debería permanecer abierta cuando el calentador de agua está en operación. **NO APLIQUE CALOR DIRECTAMENTE SOBRE LAS CONEXIONES DE ENTRADA O SALIDA.**

TENGA EN CUENTA: LOS MINI TANQUES SON SOLO PARA INSTALACIONES PERMANENTES INTERIORES. ANTES DE ENCENDER EL CALENTADOR DE AGUA, ASEGÚRESE DE QUE EL SISTEMA SE LLENE COMPLETAMENTE DE AGUA Y QUE SE quite TODO EL AIRE. ESTE MANUAL Y TODO EL CONTENIDO DE ECCOTEMP ESTÁ SUJETO A CAMBIOS SIN PREVIO AVISO. VISITE SUPPORT.ECCOTEMP.COM PARA MÁS INFORMACIÓN.

Instrucciones de Instalación

VÁLVULA DE ALIVIO DE PRESIÓN Y TEMPERATURA

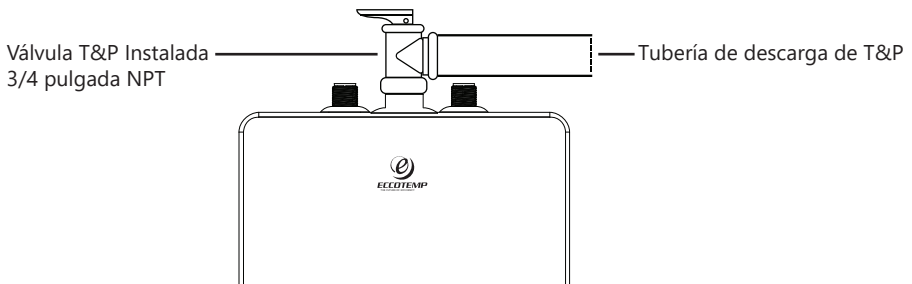
EXPANSIÓN TÉRMICA EN SISTEMAS CERRADOS: la descarga periódica de la válvula de alivio o la falla del elemento de la empaquetadura puede deberse a la expansión térmica en un sistema cerrado de suministro de agua. El medidor de suministro de agua de la empresa de servicios puede contener una válvula anti retorno, desconector de retorno o válvula reductora de presión que creará un sistema de agua cerrado. Durante el ciclo de calentamiento del calentador de agua, el agua caliente se expande causando un incremento de presión dentro del calentador de agua. La válvula T&P podría descargar agua caliente en estas condiciones, lo que resulta en una pérdida de energía y la acumulación de cal en el asiento de la válvula de alivio. Para evitar que esto suceda, se dan dos recomendaciones:

1. Instale un tanque de expansión para agua caliente doméstico tipo diafragma (que sea adecuado para agua potable) en la línea de suministro de agua fría. El tanque de expansión debe tener una capacidad mínima de 1.5 galones americanos por cada 50 galones de agua almacenada.
2. Instale una válvula de alivio de presión de 125-PSI en la línea de suministro de agua fría. Asegúrese de que la descarga de esta válvula se dirija a un drenaje abierto y se proteja de la congelación.

Una válvula de alivio de presión y temperatura (T&P) certificada por un laboratorio reconocido nacionalmente se incluye con su calentador de agua. Está diseñada para reducir el riesgo de acumular presiones y temperaturas excesivas en el calentador de agua y debe ser instalada de acuerdo con los códigos locales. La válvula T&P está marcada con una presión máxima, que no excede la presión máxima de trabajo del calentador de agua (150 psi).

Nota: en caso de usar una válvula de alivio de presión y temperatura diferente de la suministrada con la compra, por favor asegúrese que la presión máxima marcada en la misma no exceda la presión máxima del calentador de agua.

1. Instale la válvula T&P suministrada con el calentador de agua en la abertura roscada de arriba del calentador de agua.
2. Coloque un tubo de descarga desde la válvula T&P hasta un lavabo o drenaje. No selle o tape el final de las tuberías de descarga.



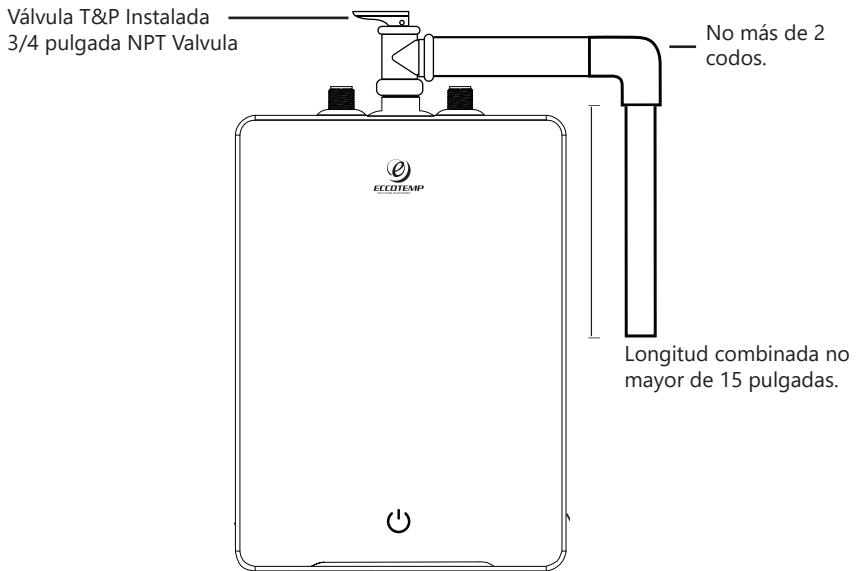
TENGA EN CUENTA: LOS MINI TANQUES SON SOLO PARA INSTALACIONES PERMANENTES INTERIORES. ANTES DE ENCENDER EL CALENTADOR DE AGUA, ASEGÚRESE DE QUE EL SISTEMA SE LLENE COMPLETAMENTE DE AGUA Y QUE SE QUITE TODO EL AIRE. ESTE MANUAL Y TODO EL CONTENIDO DE ECCOTEMP ESTÁ SUJETO A CAMBIOS SIN PREVIO AVISO. VISITE SUPPORT.ECCOTEMP.COM PARA MÁS INFORMACIÓN.

Instrucciones de Instalación

TEMPERATURE & PRESSURE RELIEF VALVE

Se debe instalar una línea de descarga a más de 6 pulgadas hacia arriba o a cualquier distancia hacia abajo, y no esta no debe entrar en contacto con ninguna parte eléctrica energizada. La abertura de descarga de la T&P no debe ser bloqueada ni su tamaño reducido bajo ninguna circunstancia.

IMPORTANTE: De no proveer aislamiento dieléctrico se podrían ocasionar fallas prematuras en el tanque o niples, anulando su garantía. La válvula T&P se usa para mantenimiento; la misma debería permanecer abierta cuando el calentador de agua está en operación. **NO APLIQUE CALOR DIRECTAMENTE SOBRE LAS CONEXIONES DE ENTRADA O SALIDA.**



Instalación de la tubería de descarga de la válvula T&P:

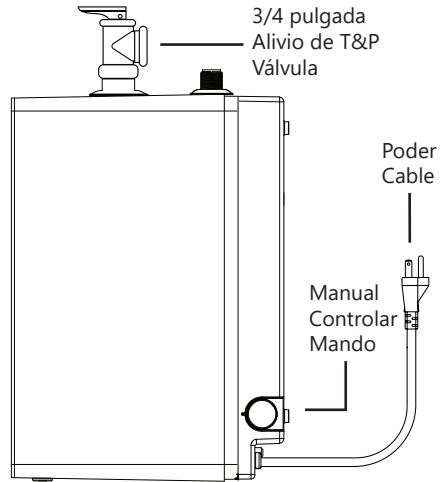
1. No debe ser de diámetro menor que la salida de la válvula, ni tener acoples reductores de ningún tipo.
2. No debe ser taponada o bloqueada.
3. Debe ser de un material apropiado para agua caliente.
4. No debe tener una longitud mayor a 15 pulgadas.
5. No debe tener más de 2 codos.
6. Debe terminar en un drenaje adecuado.
7. No debe tener una válvula de corte entre la válvula de alivio y el tanque o la válvula de alivio y el final de la descarga.

TENGA EN CUENTA: LOS MINI TANQUES SON SOLO PARA INSTALACIONES PERMANENTES INTERIORES. ANTES DE ENCENDER EL CALENTADOR DE AGUA, ASEGÚRESE DE QUE EL SISTEMA SE LLENE COMPLETAMENTE DE AGUA Y QUE SE quite TODO EL AIRE. ESTE MANUAL Y TODO EL CONTENIDO DE ECCOTEMP ESTÁ SUJETO A CAMBIOS SIN PREVIO AVISO. VISITE SUPPORT.ECCOTEMP.COM PARA MÁS INFORMACIÓN.

Puesta en Marcha

LLENADO DEL CALENTADOR DE AGUA

Antes de conectar la alimentación, llene el tanque y todo el sistema con agua, a fin de chequear fugas. Para asegurarse de que todo el aire restante salga del sistema de agua, abra el grifo de agua caliente hasta que se produzca un flujo constante de agua. De quedar alguna burbuja de aire en el tanque el elemento calentador de agua fallará.



1. Abra el grifo de agua caliente.
2. Abra la válvula de suministro de agua fría.
3. Cuando haya un flujo continuo de agua desde el grifo, se puede considerar que el tanque está lleno.
4. Cierre el grifo de agua caliente.
5. Verifique fugas en todo el sistema.

ENCENDIDO DEL CALENTADOR DE AGUA

⚠ ¡PRECAUCIÓN! Antes de conectar la alimentación del calentador de agua, asegúrese que todo el sistema se llene con agua y de purgar todo el aire.

Para asegurarse de que todo el aire restante salga del sistema de agua, abra el grifo de agua caliente hasta que se produzca un flujo constante de agua. De quedar alguna burbuja de aire en el tanque, el elemento se dañará en lo que se conecte el conector eléctrico.

El calentador de agua con mini tanque Eccotemp HOGARINTELIGENTE viene equipado con un cable de alimentación diseñado para conectarse a un receptáculo 110/120v estándar. Se deben respetar todos los códigos estatales y locales pertinentes. El mini tanque Eccotemp HOGARINTELIGENTE se fabrica y cablea de acuerdo con los requerimientos ETL.

Encendido de su calentador de agua Eccotemp HOGARINTELIGENTE:

1. Enchufe su mini tanque a un tomacorriente aterrado.
2. Ajuste la temperatura del calentador de agua, ya sea mediante los controles manuales o a través de la app HOGARINTELIGENTE. Los controles manuales de temperatura se ubican en la parte trasera, del lado derecho.
3. Espere aproximadamente 25 minutos a que se alcance la temperatura deseada. El calentador de agua con mini tanque Eccotemp HOGARINTELIGENTE viene equipado con un sensor de sobrecalentamiento de reinicio anual; también se le conoce como el límite alto de temperatura. Este dispositivo viene instalado de fábrica con la finalidad de desconectar la fuente de poder en caso de falla en el termostato. El botón de reinicio manual se ubica en la parte trasera del mini, justo en el medio, por debajo. Si tiene equipo montado en una pared, puede ser necesario que lo desmonte a fin de alcanzar el interruptor.

TENGA EN CUENTA: LOS MINI TANQUES SON SOLO PARA INSTALACIONES PERMANENTES INTERIORES. ANTES DE ENCENDER EL CALENTADOR DE AGUA, ASEGÚRESE DE QUE EL SISTEMA SE LLENE COMPLETAMENTE DE AGUA Y QUE SE quite todo el aire. ESTE MANUAL Y TODO EL CONTENIDO DE ECCOTEMP ESTÁ SUJETO A CAMBIOS SIN PREVIO AVISO. VISITE SUPPORT.ECCOTEMP.COM PARA MÁS INFORMACIÓN.

Aplicación móvil Eccotemp HOGARINTELIGENTE

Conecte su Calentador de Agua con sus Dispositivos Inteligentes

El calentador de agua con mini tanque Eccotemp HOGARINTELIGENTE posee una aplicación móvil fácil de usar, que le permite controlar funciones tales como encendido/apagado y ajustes de temperatura. Nuestra aplicación móvil es compatible con dispositivos HOGARINTELIGENTE, tales como Amazon Alexa y Google Home, brindándole al usuario la capacidad de dictar comandos de voz. Permítale a nuestra app SMARTHOME decirle con exactitud cuánto dinero gasta calentando agua.



Temperatura

La temperatura del ESH se puede cambiar de manera remota desde la app de Eccotemp.



Estadísticas

La app de Eccotemp le permite llevar un registro de las estadísticas de todos los dispositivos.



Costo Mensual Actual

Historia Visual del Costo

Desglose Anual

Desglose Mensual
(El desglose diario se muestra cuando se selecciona)

TENGA EN CUENTA: LOS MINI TANQUES SON SOLO PARA INSTALACIONES PERMANENTES INTERIORES. ANTES DE ENCENDER EL CALENTADOR DE AGUA, ASEGÚRESE DE QUE EL SISTEMA SE LLENE COMPLETAMENTE DE AGUA Y QUE SE QUITE TODO EL AIRE. ESTE MANUAL Y TODO EL CONTENIDO DE ECCOTEMP ESTÁ SUJETO A CAMBIOS SIN PREVIO AVISO. VISITE SUPPORT.ECCOTEMP.COM PARA MÁS INFORMACIÓN.

Aplicación móvil Eccotemp HOGARINTELIGENTE



Códigos de Error

La aplicación Eccotemp posee una guía de resolución de fallas que le ayuda a diagnosticar cualquier error en el equipo.



Error de Red

El solucionador de problemas de redes incorporado le indicará si existe algún problema con su WIFI.



¿Tiene algún problema con su Eccotemp ESH? Nuestra app **HOGARINTELIGENTE** le puede decir con exactitud cuál es el problema. Descárguela hoy para desbloquear todas las posibilidades de su Eccotemp **HOGARINTELIGENTE** ESH. Solo necesita buscar la palabra "Eccotemp" en Apple App Store o Google Play.

TENGA EN CUENTA: LOS MINI TANQUES SON SOLO PARA INSTALACIONES PERMANENTES INTERIORES. ANTES DE ENCENDER EL CALENTADOR DE AGUA, ASEGÚRESE DE QUE EL SISTEMA SE LLENE COMPLETAMENTE DE AGUA Y QUE SE quite todo el aire. ESTE MANUAL Y TODO EL CONTENIDO DE ECCOTEMP ESTÁ SUJETO A CAMBIOS SIN PREVIO AVISO. VISITE SUPPORT.ECCOTEMP.COM PARA MÁS INFORMACIÓN.

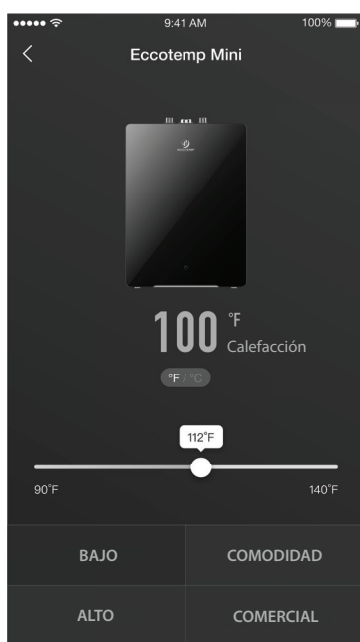
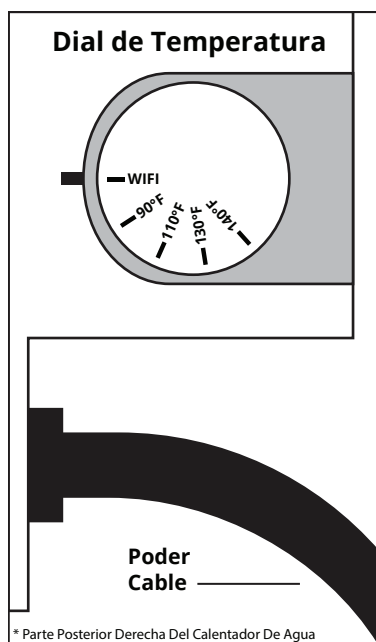
Puesta en Marcha

CONFIGURACIÓN DE LA TEMPERATURA

⚠ ¡ADVERTENCIA! Este calentador de agua está diseñado para operar en 110/120v – **NO LO CONECTE A NINGÚN OTRO VOLTAJE.** De no usar un nivel de voltaje apropiado se podrían ocasionar heridas personales y/o daños a la propiedad. Si el cable de alimentación proporcionado se encuentra averiado o no es lo suficientemente largo, no utilice un cable de extensión. Pídale a un electricista con licencia que le reemplace el cable de alimentación.

¡Felicitaciones! Ya está listo para utilizar su calentador de agua. Deje salir el agua caliente en un lavabo cercano y evalúe la temperatura. Haga cualquier ajuste de temperatura utilizando la sección de abajo.

AJUSTE DEL TERMOSTATO



Modo Manual: Gire el dial en cualquier dirección para subir o bajar la temperatura. Si lo gira en el sentido de las agujas del reloj la temperatura aumentará y si lo gira al contrario disminuirá. Repita la operación hasta que alcance la temperatura deseada.

Utilizando la App: Su mini tanque se conectará a sus dispositivos inteligentes para permitirle cambiar la temperatura.

Nota: Cuando el equipo está en modo manual, **NO PODRÁ** controlar el mini tanque de manera remota a través de la app **HOGARINTELIGENTE**.

TENGA EN CUENTA: LOS MINI TANQUES SON SOLO PARA INSTALACIONES PERMANENTES INTERIORES. ANTES DE ENCENDER EL CALENTADOR DE AGUA, ASEGÚRESE DE QUE EL SISTEMA SE LLENE COMPLETAMENTE DE AGUA Y QUE SE QUITE TODO EL AIRE. ESTE MANUAL Y TODO EL CONTENIDO DE ECOTEMP ESTÁ SUJETO A CAMBIOS SIN PREVIO AVISO. VISITE SUPPORT.ECOTEMP.COM PARA MÁS INFORMACIÓN.

Puesta en Marcha

USO DE LA APP

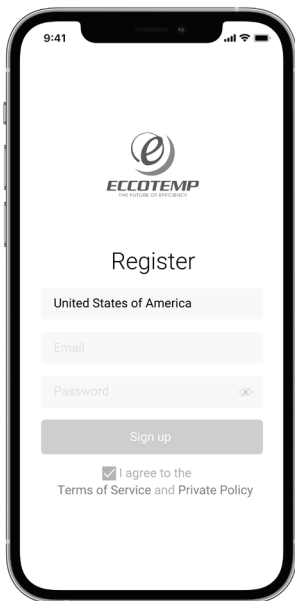
1. Como Primer Paso, Descargue la Aplicación.

Encuentre y descargue la aplicación colocando la palabra "Eccotemp" en el panel de búsqueda del Apple App Store o Google Play.

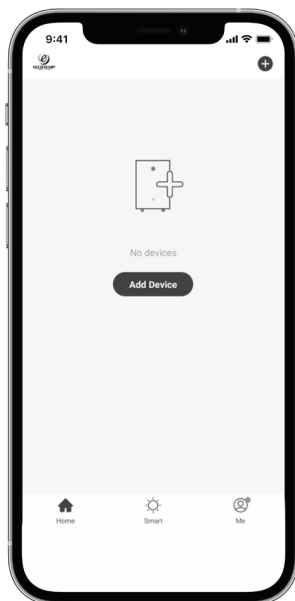
2. Configure la App e Ingrese

Una vez que sea instalada, genere su usuario y conecte la app con el calentador de agua. Siga las instrucciones en pantalla y asegúrese de que la perilla de temperatura, ubicada en la parte trasera derecha del calentador de agua, tenga seleccionado el modo WIFI para completar el proceso.

Registrar una Nueva Usuario



Agregar un Nuevo Dispositivo



TENGA EN CUENTA: LOS MINI TANQUES SON SOLO PARA INSTALACIONES PERMANENTES INTERIORES. ANTES DE ENCENDER EL CALENTADOR DE AGUA, ASEGÚRESE DE QUE EL SISTEMA SE LLENE COMPLETAMENTE DE AGUA Y QUE SE quite todo el aire. ESTE MANUAL Y TODO EL CONTENIDO DE ECCOTEMP ESTÁ SUJETO A CAMBIOS SIN PREVIO AVISO. VISITE SUPPORT.ECCOTEMP.COM PARA MÁS INFORMACIÓN.

Puesta en Marcha

USO DE LA APP

3. Uso de la app

Después de conectar la **HOGARINTELIGENTE** app al mini tanque, podrá controlar remotamente la temperatura y el estado de encendido/apagado del calentador de agua con mini tanque. La app cuenta con una pantalla de estadísticas de energía que le permitirá hacer seguimiento al uso de su calentador de agua a fin de ayudarle a manejar su consumo energético. Usar y revisar la app le ayudará a afinar sus necesidades de calentamiento de agua, permitiéndole utilizar menos recursos y al final del día, ahorrar dinero.

4. Como conectarse

Conecte su mini tanque Eccotemp **HOGARINTELIGENTE** a otro dispositivo **HOGARINTELIGENTE** como por ejemplo Amazon Alexa o Google Home. Una vez que se conecte, el mini tanque Eccotemp **HOGARINTELIGENTE** podrá aceptar comandos de voz tales como "Ok Google, apaga mi mini".

5. Otras funciones de los botones

- El botón titila rápidamente por 120 segundos: sucede cuando el mini está en modo de conexión WIFI. Para iniciar o repetir el modo de conexión mantenga presionado el botón de encendido/apagado por 10 segundos.
- El color azul sólido del botón de encendido indica que el mini está apagado.
- El botón rojo de encendido significa que el mini está encendido.
- Cuando se esté usando el dial de modo manual, la aplicación inteligente de Eccotemp no Funcionará.
- El calentador de agua con mini tanque quedará configurado por defecto en 118 grados Fahrenheit si no se le configura desde la app o mediante la perilla.

TENGA EN CUENTA: LOS MINI TANQUES SON SOLO PARA INSTALACIONES PERMANENTES INTERIORES. ANTES DE ENCENDER EL CALENTADOR DE AGUA, ASEGÚRESE DE QUE EL SISTEMA SE LLENE COMPLETAMENTE DE AGUA Y QUE SE quite TODO EL AIRE. ESTE MANUAL Y TODO EL CONTENIDO DE ECCOTEMP ESTÁ SUJETO A CAMBIOS SIN PREVIO AVISO. VISITE SUPPORT.ECCOTEMP.COM PARA MÁS INFORMACIÓN.

Empezando

Uso de Comandos de Voz

El calentador de agua Eccotemp ESH Mini Tank es el primer calentador de agua HOGARINTELIGENTE de su tipo que funciona con una aplicación móvil y control de voz. Una vez que abra su aplicación Google Home o Amazon Alexa, simplemente agregue su Mini Tank HOGARINTELIGENTE agregando un nuevo dispositivo. Una vez agregado a cualquiera de las aplicaciones, podrá usar comandos de voz.

Nota: Todos los comandos comienzan con "Alexa" o "Ok, Google" antes de emitir un comando al dispositivo respectivo.

Amazon Alexa

Propósito	Comando
Encender/ Apagar	Encender <nombre de dispositivo> Apagar <nombre de dispositivo>
Ajustar temperatura	Ajustar <device name> a <X> grados Bajar <nombre de dispositivo> Subir <nombre de dispositivo>
Consultando el conjunto temperatura	¿En qué está configurado mi <nombre de dispositivo>?

Google Home

Propósito	Comando
Encender/ Apagar	Encender <nombre de dispositivo> Apagar <nombre de dispositivo>
Configurar la temperatura	Ajusta <nombre de dispositivo> a <X> Haz que <nombre de dispositivo> caliente/enfríe
Consulta el ajuste temperatura	En cuanto está configurado <nombre de dispositivo>?

Nota: Este cuadro solo tiene propósitos demostrativos y los comandos de voz reales pueden variar dependiendo del modelo, actualizaciones y de la disponibilidad en su ubicación.

TENGA EN CUENTA: LOS MINI TANQUES SON SOLO PARA INSTALACIONES PERMANENTES INTERIORES. ANTES DE ENCENDER EL CALENTADOR DE AGUA, ASEGÚRESE DE QUE EL SISTEMA SE LLENE COMPLETAMENTE DE AGUA Y QUE SE quite todo el aire. ESTE MANUAL Y TODO EL CONTENIDO DE ECCOTEMP ESTÁ SUJETO A CAMBIOS SIN PREVIO AVISO. VISITE SUPPORT.ECCOTEMP.COM PARA MÁS INFORMACIÓN.

Mantenimiento

⚠ ¡AVISO! Cuando no vaya a usarlo por un largo tiempo, puede ahorrar energía reduciendo el ajuste de temperatura ya sea manualmente o mediante la app de Eccotemp.

Si planea no usarlo por un tiempo, proteja el equipo contra la congelación. Desconecte el calentador de agua y drénelo.

LIMPIEZA INTERNA

De recibir el mantenimiento apropiado, su calentador de agua le entregará años de servicio sin problemas. Se recomienda realizar cada 6 meses una inspección periódica de la plomería.

Al menos una vez al año, levante y libere la palanca de la válvula de alivio de presión. Está se encuentra entre las líneas de agua caliente y agua fría; asegúrese que la válvula opere libremente. Deje fluir varios galones a de la línea de descarga hacia un drenaje abierto.

Inspeccione el área alrededor del calentador de agua para asegurar un ambiente de operación seguro. Mantenga el área del calentador de agua despejada y libre de cualquier objetivo que pudiese dañarlo. Si tiene algún daño o algún golpe, contacte al personal de servicio para verificar la correcta operación.

NO opere el calentador de agua si siente que algo no anda bien con la unidad.

NO permita a los niños operar o manipular la unidad.

⚠ ¡AVISO! Si la válvula de alivio de presión del calentador de agua descarga periódicamente, puede ser debido a un problema con en el sistema de agua. Contacte al proveedor de agua o a su contratista de plomería para reparar el problema. NO tapone la salida de la válvula de alivio.

DRENAJE Y ALMACENAMIENTO

Purga de su calentador de agua:

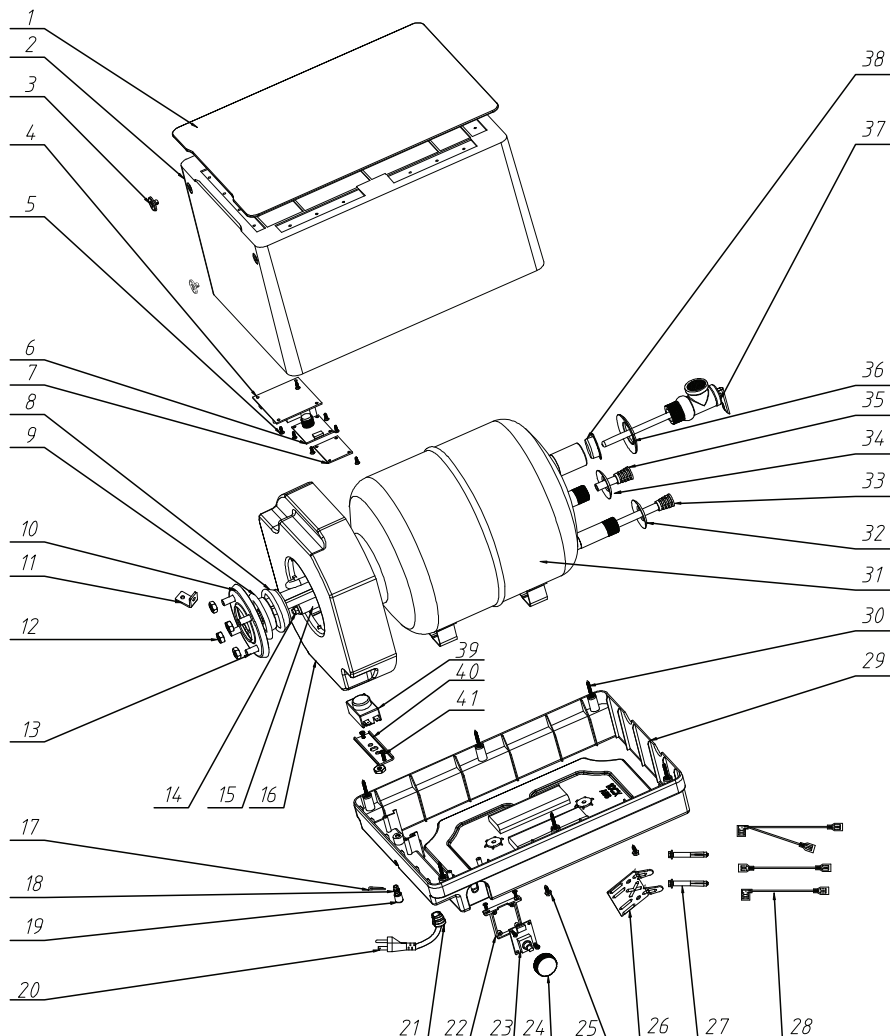
1. Desconecte el calentador de agua.
2. Abra el grifo de agua caliente y deje el agua correr. Déjala correr hasta que ya no esté caliente.
3. Apague el suministro de agua fría al calentador de agua.
4. Cierre el grifo de agua caliente.
5. Desconecte las conexiones de agua fría y caliente del calentador.
6. Si es posible vacíe el agua restante.
7. Retire con cuidado el calentador de agua de la pared (si aplica).
8. Inclíne el calentador de agua para drenar el agua que aún quede dentro.

TENGA EN CUENTA: LOS MINI TANQUES SON SOLO PARA INSTALACIONES PERMANENTES INTERIORES. ANTES DE ENCENDER EL CALENTADOR DE AGUA, ASEGÚRESE DE QUE EL SISTEMA SE LLENE COMPLETAMENTE DE AGUA Y QUE SE quite TODO EL AIRE. ESTE MANUAL Y TODO EL CONTENIDO DE ECCOTEMP ESTÁ SUJETO A CAMBIOS SIN PREVIO AVISO. VISITE SUPPORT.ECCOTEMP.COM PARA MÁS INFORMACIÓN.

Mantenimiento

DIAGRAMA DE DESPIECE

Descripción de los números en la tabla de la página siguiente



TENGA EN CUENTA: LOS MINI TANQUES SON SOLO PARA INSTALACIONES PERMANENTES INTERIORES. ANTES DE ENCENDER EL CALENTADOR DE AGUA, ASEGÚRESE DE QUE EL SISTEMA SE LLENE COMPLETAMENTE DE AGUA Y QUE SE quite todo el aire. ESTE MANUAL Y TODO EL CONTENIDO DE ECCOTEMP ESTÁ SUJETO A CAMBIOS SIN PREVIO AVISO. VISITE SUPPORT.ECCOTEMP.COM PARA MÁS INFORMACIÓN.

Mantenimiento

No.	Nombre de partes	QNT.
1	Panel frontal (vidrio templado)	1
2	Portada	1
3	Almohadillas para los pies	2
4	Control de pedidos	1
5	Tornillos autoadhesivos C	11
6	Control frontal	1
7	Si ordeno control	1
8	Anillo de sello de elemento	1
9	Elemento de calefacción	1
10	Cubierta de la brida	1
11	Soporte en forma de L	2
12	Tuerca M8	4
13	Perno de cabeza cuadrada M8	4
14	Tuerca de ánodo de magnesio M6	1
15	Tuerca de ánodo de magnesio	1
16	Base de plástico	1
17	Botón de reinicio	1
18	Primavera	1
19	Botón de reinicio externo	1
20	Cable de alimentación	1
21	Abrazadera de cable de alimentación	1
22	Base de plástico	1
23	Control de controles de temperatura	1
24	Manija de control	1
25	Perno hexagonal externo (adhesivo)	2
26	Soporte de montaje	1
27	Boulon d'expansion M6	2
28	Cables internos	1
29	Contraportada	1
30	Tornillo para la instalación de la cubierta	6
31	Tanque interno	1
32	Funda de goma (en)	1
33	Tubo de entrada	1
34	Funda de goma (fuera)	1
35	Tubo de salida	1
36	Manga de goma (válvula T&P)	1
37	Válvula T&P	1
38	Cubierta de goma (válvula T&P)	1
39	Limitador de temperatura	1
40	Limitador de temperatura de apoyo	1
41	Tornillos autoadhesivos (3.5 x 16)	2

Los números de tabla corresponden al diagrama de despiece de la página anterior.

TENGA EN CUENTA: LOS MINI TANQUES SON SOLO PARA INSTALACIONES PERMANENTES INTERIORES. ANTES DE ENCENDER EL CALENTADOR DE AGUA, ASEGÚRESE DE QUE EL SISTEMA SE LLENE COMPLETAMENTE DE AGUA Y QUE SE quite TODO EL AIRE. ESTE MANUAL Y TODO EL CONTENIDO DE ECCOTEMP ESTÁ SUJETO A CAMBIOS SIN PREVIO AVISO. VISITE SUPPORT.ECCOTEMP.COM PARA MÁS INFORMACIÓN.

Guía de Resolución de Fallas

ANTES DE LLAMAR A SERVICIO

¡Ahorre tiempo y dinero! Revise las indicaciones para resolución de fallas primero que todo, quizá no necesite llamar a servicio.

1. El agua no se calienta:

- Asegúrese que la unidad esté encendida y funcionando.
- Si la luz no enciende, revise para ver si el botón de reinicio se ha activado. El botón de reinicio se ubica en la parte trasera del mini, por la parte de abajo.
- Si el botón de encendido está iluminado pero la temperatura del agua en el lavabo no aumenta, descarte un cruce de tuberías cerrando el suministro de agua fría al calentador y abriendo el grifo de agua caliente (no debería haber flujo de agua). En caso de que exista un flujo continuo, puede indicar un cruce de tuberías, lo cual afecta la temperatura del agua, por lo que debe ser corregido.
- Si no existe tal cruce de tuberías, es probable que el elemento de calentamiento deba ser reemplazado.

2. El botón de encendido permanece apagado:

- Si la luz piloto del botón de encendido no se ilumina, pero el agua si calienta, revise el bombillo, puede estar dañado.
- Verifique el botón de reinicio. El agua marrón u oxidada indica una varilla anódica gastada. Reemplace la barra del ánodo.

3. Agua de color marrón:

Si el agua sale marrón o con óxido, la varilla de ánodo puede tener un desgaste considerable. Reemplace la varilla de ánodo.

4. Olor en el agua:

Si el agua huele mal puede deberse a una reacción inusual entre el agua local y la varilla de ánodo del calentador. Verifique la varilla de ánodo.

5. El agua está muy caliente:

Ajuste la perilla de temperatura para reducir la temperatura, o use la app para configurar un valor más bajo. Si la temperatura del agua no baja en 60 minutos, es posible que se haya dañado el termostato y deba reemplazarlo.

6. El agua no se calienta lo suficiente.

Consulte "Ajuste del termostato:" en la página 16.

7. Hay fugas de agua:

- Desconecte el calentador de agua del tomacorriente 110/120v.
- Verifique y apriete cualquier conexión de agua floja, así como los accesorios de la T&P arriba del tanque.
- Retire la cubierta e inspeccione el elemento de calentamiento para determinar si esta flojo o tiene algún daño visible.

TENGA EN CUENTA: LOS MINI TANQUES SON SOLO PARA INSTALACIONES PERMANENTES INTERIORES. ANTES DE ENCENDER EL CALENTADOR DE AGUA, ASEGÚRESE DE QUE EL SISTEMA SE LLENE COMPLETAMENTE DE AGUA Y QUE SE quite todo el aire. ESTE MANUAL Y TODO EL CONTENIDO DE ECCOTEMP ESTÁ SUJETO A CAMBIOS SIN PREVIO AVISO. VISITE SUPPORT.ECCOTEMP.COM PARA MÁS INFORMACIÓN.

Guía de Resolución de Fallas

Códigos de error en el panel frontal y en la app

Su mini tanque Eccotemp HOGARINTELIGENTE puede reportar 2 tipos de errores. Si está utilizando la aplicación, esta le explicará como interactuar con el calentador de agua a fin de diagnosticar y reparar algunos de los problemas. Si se fija en el botón de encendido, este parpadea de acuerdo a una secuencia basada en el error que está reportando.

Código de error 1:

Avería del termostato

Cuando el mini reporta un error E1, el botón de encendido parpadea una (01) vez cada tres (03) segundos hasta que se repare la falla. Si tiene un error E1, por favor contacte a servicio al cliente.

Código de error 2:

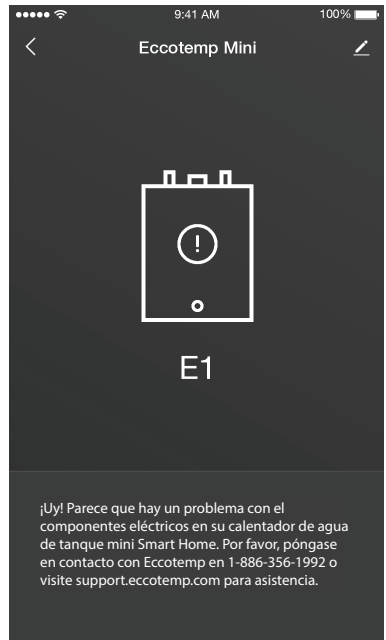
Incremento rápido en la temperatura

Cuando el mini reporta un error E2, el botón de encendido parpadea dos (02) veces cada tres (03) segundos, antes de repetir, hasta que se repare la falla.

Un incremento rápido en la temperatura ocurre por lo general cuando el mini no está completamente lleno de agua. Desconecte el mini de la alimentación eléctrica, complete su nivel de agua y reconéctelo para resolver el problema. En caso de que el error E2 continúe, por favor contacte a servicio al cliente.

No enciende:

Si el mini está enchufado, pero no enciende, verifique el botón de reinicio que está en la parte de atrás para asegurarse de que no esté activado. Si el botón de reinicio no está activado, por favor contacte a servicio al cliente para mayor asistencia.



Conectividad WIFI:

Cuando el mini tanque Eccotemp HOGARINTELIGENTE se está conectando al WIFI, el botón de encendido en su parte frontal parpadeará en rojo durante 60 segundos hasta que conecte. Si no puede conectarse en ese tiempo, volverá a intentarlo periódicamente durante unos 15 minutos.

En caso de poder conectarse al WIFI, el calentador de agua ajustará su temperatura a 118° Fahrenheit de forma automática por defecto. La app podrá informarle si el calentador se ha conectado exitosamente.

TENGA EN CUENTA: LOS MINI TANQUES SON SOLO PARA INSTALACIONES PERMANENTES INTERIORES. ANTES DE ENCENDER EL CALENTADOR DE AGUA, ASEGÚRESE DE QUE EL SISTEMA SE LLENE COMPLETAMENTE DE AGUA Y QUE SE quite todo el aire. ESTE MANUAL Y TODO EL CONTENIDO DE ECCOTEMP ESTÁ SUJETO A CAMBIOS SIN PREVIO AVISO. VISITE SUPPORT.ECCOTEMP.COM PARA MÁS INFORMACIÓN.

ECCOTEMP SYSTEMS, LLC

INFORMACIÓN DE GARANTÍA LIMITADA

MODELO(S): ESH-2.5, ESH-4.0

Eccotemp por medio de la presente garantiza que este producto estará libre de defectos materiales y de mano de obra siempre y cuando sea instalado y operado de acuerdo con las instrucciones de instalación y operación de Eccotemp. Esta garantía limitada se extiende al comprador original y a los dueños subsecuentes, solo si el producto permanece en el mismo sitio de la instalación original. Esta garantía limitada termina en caso de que se mueva o reinstale el equipo en una nueva ubicación. No existen más garantías, explícitas o implícitas, que las contenidas en esta garantía limitada. Ningún agente, empleado o representante de Eccotemp tiene ninguna autoridad para obligar a Eccotemp a alguna representación o garantía en lo concerniente al producto contenido en esta garantía limitada. Eccotemp se reserva el derecho y autoridad de cambiar, modificar o alterar esta garantía en cualquier momento.

A excepción de que esté expresamente establecido en el presente documento, NO EXISTEN REPRESENTACIONES O GARANTÍAS, EXPLÍCITAS O IMPLÍCITAS, INCLUYENDO, SIN LIMITACIONES, LA COMERCIABILIDAD O ADECUACIÓN PARA UN PROPOSITO PARTICULAR CON RESPECTO A CUALQUIER BIEN QUE SEA VENDIDO A CONTINUACIÓN. EL RECURSO EXCLUSIVO DEL COMPRADOR ESTÁ LIMITADO A REPARAR O REEMPLAZAR LOS BIENES VENDIDOS, A DISCRECIÓN DE ECCOTEMP. ECCOTEMP NO SERÁ RESPONSABLE POR DAÑOS INCIDENTALES O CONSECUENCIALES.

Periodo de Garantía Limitada

Esta garantía se extiende de parte de Eccotemp Systems a el Dueño. Esta garantía toma efecto el día de la instalación del producto o 30 días después de la fecha de compra, cualquiera que ocurra primero, y es efectiva hasta el aniversario especificado de dicha fecha, de acuerdo a lo siguiente:

Ítem Periodo de Cobertura

Limitado a 5 años por fugas

2 Años por defectos

Accesorios libres (conectores, paquete de accesorios, etc.) 30 días

La cobertura se considerará sin valor en caso de que la unidad se utilice en un lazo de circulación de agua caliente, en serie con un sistema de circulación o donde no sea incorporado un sistema de recirculación a pedido. La serie de mini tanques EM está aprobada para uso comercial.

Eccotemp suministrará 1 ronda de partes por incidente (de acuerdo a la consideración del equipo de soporte de Eccotemp) por concepto de la garantía, previa solicitud del embarque de cualquier ítem a nuestros almacenes para revisión/inspección.

Para Clientes con Garantía de Hogar

A menudo su garantía de hogar le asistirá para cubrir algunos de los costos relacionados con sus electrodomésticos, tales como su calentador de agua. Asegúrese de verificar con su compañía de garantía de hogar si es posible recibir asistencia antes de contactar a Eccotemp.

Costos Relacionados Con El Transporte:

Órdenes a Estados Unidos

Durante los primeros 30 días después de la compra, Eccotemp cubrirá todos los gastos de transporte terrestre relacionados con asuntos de garantía, excluyendo a AK, HI, Canadá, y cualquier otra localidad fuera de los Estados Unidos continentales. Después de los primeros 45 días después de la compra, el cliente es responsable de todos los gastos de transporte a Eccotemp, sin importar la razón o circunstancia. Eccotemp cubrirá los costos de transporte para retornar el producto al cliente después de una reparación o inspección por garantía. El método de transporte por garantía será un flete equivalente por tierra con un proveedor escogido por Eccotemp.

Órdenes a Canadá

Durante los primeros 45 días después de la compra, Eccotemp cubrirá todos los gastos de transporte terrestre relacionados con asuntos de garantía. Después de los primeros 45 días después de la compra, el cliente es responsable de todos los gastos de transporte a Eccotemp, sin importar la razón o circunstancia. Eccotemp cubrirá los costos de transporte para retornar el producto al cliente después de una reparación o inspección por garantía. El método de transporte por garantía será un flete equivalente por tierra con un proveedor escogido por Eccotemp.

Todos los paquetes de cualquier tipo que lleguen a Eccotemp por cualquier razón deben tener una RGA a fin de realizar cualquier reparación. Por favor contacte a Eccotemp para obtener un número de RGA antes de enviar cualquier producto a Eccotemp. De no hacerlo, se podría perder el producto. Eccotemp no se hará responsable de los reemplazos por pérdida o daños se estos pasos.

ESTADOS UNIDOS

Eccotemp Systems>Returns Department
315-A Industrial Rd.
Summerville, SC 29483

CANADA

Eccotemp Systems>Returns Department
CO Eccotemp Canada
Ottawa Logistics
1270 Humber Place Ottawa
Ontario K1B 3W3

TENGA EN CUENTA: LOS MINI TANQUES SON SOLO PARA INSTALACIONES PERMANENTES INTERIORES. ANTES DE ENCENDER EL CALENTADOR DE AGUA, ASEGÚRESE DE QUE EL SISTEMA SE LLENE COMPLETAMENTE DE AGUA Y QUE SE quite todo el aire. ESTE MANUAL Y TODO EL CONTENIDO DE ECCOTEMP ESTÁ SUJETO A CAMBIOS SIN PREVIO AVISO. VISITE SUPPORT.ECCOTEMP.COM PARA MÁS INFORMACIÓN.

Exclusiones

Por favor consulte el Manual de Instalación y el Manual de Uso y Cuidado suministrado con su producto nuevo de Eccotemp Systems. Esta garantía limitada se hace nula y sin valor en caso de que alguno de los siguientes factores se determine como contribuyentes a la falla del producto:

1. Abuso, mal uso, alteración, negligencia o mala aplicación;
2. Procedimientos de mantenimiento incorrectos, peligrosos y destructivo, así como mantenimientos inadecuados.
3. Daños causados por servicios ejecutados por técnicos ajenos a Eccotemp Systems.
4. Instalación en un ambiente corrosivo o de alguna manera destructivo.
5. Daños resultantes de congelación dentro de la unidad o de las tuberías circundantes.
6. Acumulación de sarro de agua.
7. Presión de gas o de agua incorrecta.
8. Hechos de fuerza mayor.
9. Daños resultantes de usar el equipo con agua de pozo no potable, no tratada o pobremente tratada, así como de agua con alto nivel de PH o niveles de dureza sobre los 12 granos por galón (200mg/L).
10. Dimensionado incorrecto para la aplicación.
11. Productos con números de serie originales que hayan sido retirados o alterados y que no puedan ser determinados con propiedad.
12. Actos de Dios incluyendo, pero sin limitarse a incendios, inundaciones o desastres naturales.

Este producto no es para ser utilizado como calentador de piscina o spa.

En el evento de que exista un defecto, mal funcionamiento o falla para conformar a esta garantía y basándose en una aprobación de la solicitud de garantía por parte de Eccotemp, Eccotemp Systems, a su única y absoluta discreción, acordará la reparación de este defecto, mal funcionamiento o falla para conformar a esta garantía. Para poder solicitar el cumplimiento de la presente garantía, el Dueño debe notificar a Eccotemp de la falla del producto a conformidad de la presente garantía.

Bajo esta garantía, Eccotemp Systems solo proporcionará partes de repuesto de acuerdo a lo descrito en el "Periodo de Garantía Limitada". El Dueño será responsable de cualquier costo incurrido incluyendo los costos de mano de obra para reparar la unidad, transporte, entrega y manejo de las partes de repuesto, costos de permisos o materiales necesarios para la reparación, o costos incidentales resultantes de daños externos a la unidad a consecuencia de la falla.

A PESAR DE CUALQUIER COSA EN ESTA GARANTÍA QUE DIGA LO CONTRARIO, EXCEPTO LAS OBLIGACIONES AFIRMATIVAS DE ECCOTEMP EXPRESAMENTE ENUNCIADAS EN ESTA GARANTÍA, ECCOTEMP SYSTEMS SE DESCARGA DE CUALQUIER GARANTÍA, YA SEA EXPLÍCITA O IMPLÍCITA, EN LO CONCERNIENTE AL PRODUCTO Y SU FUNCIONALIDAD, DESEMPEÑO, COMERCIALIZACIÓN, ADECUACIÓN PARA UN PROPÓSITO PARTICULAR O DERECHOS DE PROPIEDAD INTELLECTUAL. ECCOTEMP SYSTEMS SE DESCARGA DE TODAS LAS DEMÁS OBLIGACIONES O RESPONSABILIDADES Y NO ASUME NI AUTORIZA A NINGUNA OTRA PERSONA PARA QUE ASUMA EN LUGAR DE ECCOTEMP ALGUN TIPO DE RESPONSABILIDAD EN CONEXIÓN CON EL DESEMPEÑO DEL PRODUCTO. ESTA GARANTÍA SOLO CUBRE LAS PARTES DE REPUESTO Y NO INCLUYE LOS COSTOS DE MANO DE OBRA O SERVICIOS BAJO NINGUNA CIRCUNSTANCIA.

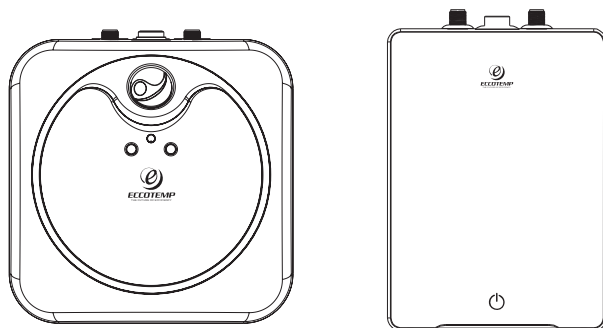
Esta garantía solo aplica para los 50 estados de los EEUU y los Territorios de Canadá. Eccotemp Systems no se hará responsable de ningún reclamo o demanda en contra de Eccotemp Systems por cualquier otra parte en lo relacionado a daños de ningún tipo, incluyendo, pero sin limitarse a daños incidentales y consecuenciales, que surjan de la materia tratada en este acuerdo. Algunos estados no permiten la exclusión o limitación de daños incidentales o consecuenciales, por lo que las limitaciones o exclusiones indicadas arriba podrían no aplicar para su caso. Esta garantía le brinda derechos legales específicos. También podría tener otros derechos que varían de Estado a Estado.

Por favor tenga en cuenta: esta garantía y todos los contenidos de Eccotemp están sujetos a cambios. Por favor consulte esta garantía para obtener la versión más actualizada. Para más consultas, por favor envíe un correo electrónico a servicio al cliente a la dirección support.eccotemp.com

TENGA EN CUENTA: LOS MINI TANQUES SON SOLO PARA INSTALACIONES PERMANENTES INTERIORES. ANTES DE ENCENDER EL CALENTADOR DE AGUA, ASEGÚRESE DE QUE EL SISTEMA SE LLENE COMPLETAMENTE DE AGUA Y QUE SE QUITE TODO EL AIRE. ESTE MANUAL Y TODO EL CONTENIDO DE ECCOTEMP ESTÁ SUJETO A CAMBIOS SIN PREVIO AVISO. VISITE SUPPORT.ECCOTEMP.COM PARA MÁS INFORMACIÓN.

Comparación de Productos

Si le gusta el mini tanque Eccotemp HOGARINTELIGENTE, ¡también le agradarán los de la serie EM! Puede obtener más información acerca de estos tanques miniatura y de los calentadores de agua sin tanque de Eccotemp visitando la página www.Eccotemp.com



	Mini Tanque Serie EM	Mini Tanque Serie ESH
INSTALACIÓN	SOLO EN INTERIORES	SOLO EN INTERIORES
Volumen del tanque	Modelos de 2.5 galones, 4 galones y 7 galones	Modelos de 2.5 galones y 4 galones
voltaje	110/120	110/120
AMPS	12	12
Fase	Soltero	Soltero
Temperaturas	50-140 F	50-140 F
Capacidad de calentamiento	1400 Vatios	1440 Vatios
Presión máxima de funcionamiento	150 psi	150 psi
Guarniciones	1/2 NPT Conexiones	1/2 NPT Conexiones
Garantía	5 años limitada en fugas 2 años de defectos	5 años limitada en fugas 2 años de defectos
Caja exterior	Plástico	Vidrio Templado / Plástico
Modo manual	✓	✓
Casa inteligente	✗	✓
Aplicación móvil	✗	✓
Comandos de voz	✗	✓
Encendido / apagado inteligente	✗	✓
Detección avanzada de errores	✗	✓
Usos Sugeridos	Barcos, campistas, casas pequeñas, carritos de comida, vehículos recreativos Casas, debajo del fregadero. Oficinas, cabañas, Cocinas, cuartos de servicio, apartamentos, camiones de comida	Barcos, campistas, casas pequeñas, carritos de comida, vehículos recreativos Casas, debajo del fregadero. Oficinas, cabañas, Cocinas, cuartos de servicio, apartamentos, camiones de comida

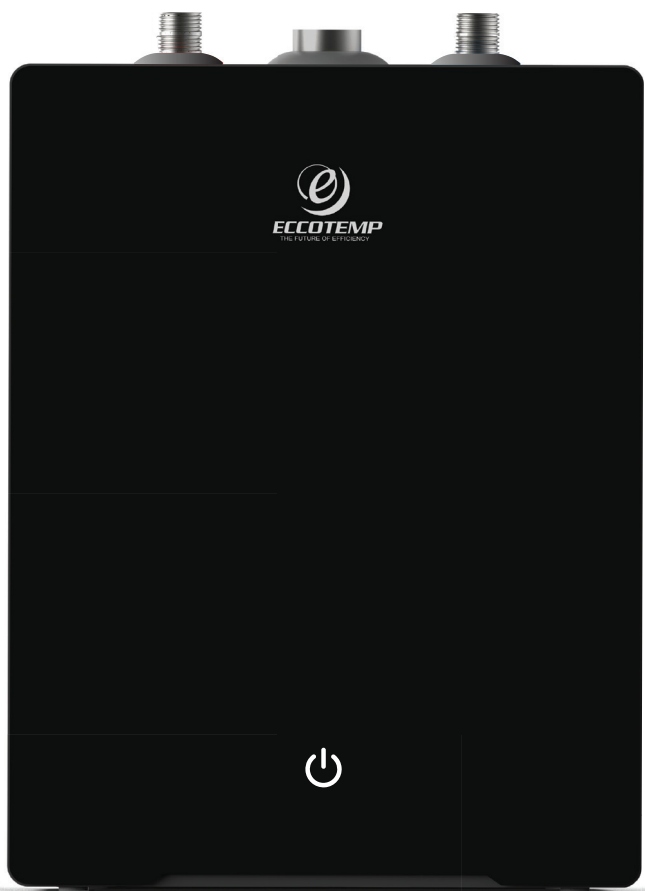
TENGA EN CUENTA: LOS MINI TANQUES SON SOLO PARA INSTALACIONES PERMANENTES INTERIORES. ANTES DE ENCENDER EL CALENTADOR DE AGUA, ASEGÚRESE DE QUE EL SISTEMA SE LLENE COMPLETAMENTE DE AGUA Y QUE SE quite todo el aire. ESTE MANUAL Y TODO EL CONTENIDO DE ECCOTEMP ESTÁ SUJETO A CAMBIOS SIN PREVIO AVISO. VISITE SUPPORT.ECCOTEMP.COM PARA MÁS INFORMACIÓN.



ESH 2.5/4.0

MAISON INTELLIGENTE

MINI RÉSERVOIR DE CHAUFFAGE À L'EAU
MANUEL D'INSTALLATION, D'UTILISATION ET D'ENTRETIEN



BOUTON INTELLIGENT



DÉTECTION DE ERREUR AVANCÉE



COMMANDES DE VOIX INTELLIGENTE



CHAUFFAGE NUMÉRIQUE DE PRÉCISION



SMARTHOME READY



CONSEIL INTELLIGENT

CHAUFFER L'EAU PLUS INTELLIGENTE

"Alexa, Allumez mon mini radiateur d'eau"



"Ok Google, Régler mon mini radiateur eau à 110"





315-A Industrial Road
Summerville, SC 29483
1-866-356-1992
support@eccotemp.com



MAISONINTELLIGENTE MINI RESERVOIR CHAUFFE-EAU

MODEL / le modèle:	ESH-2.5
RATED POWER / Puissance nominale:	1440W
RATED VOLTAGE / Tension Nominale:	120V ~ 60Hz
TANK CAPACITY / Capacité du réservoir:	9.5 L
MAX RATED PRESSURE / Pression Maximale Nominale:	150 psi

Conforme à UL STD. 174
Certifié CSA STD. C22.2 NO. 110

SERIAL NO /
Numéro de
Série:

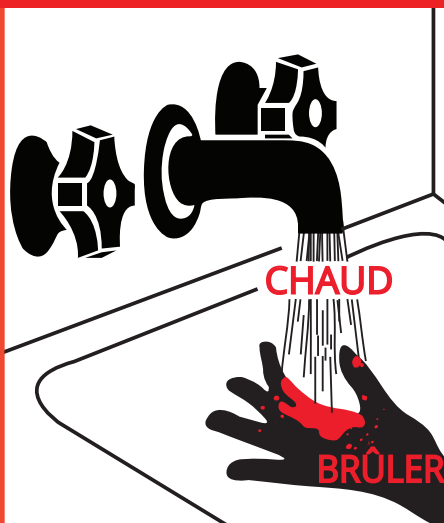
MAISONINTELLIGENTE MINI RESERVOIR CHAUFFE-EAU

MODEL / le modèle:	ESH-4.0
RATED POWER / Puissance nominale:	1440W
RATED VOLTAGE / Tension Nominale:	120V ~ 60Hz
TANK CAPACITY / Capacité du réservoir:	15.1 L
MAX RATED PRESSURE / Pression Maximale Nominale:	150 psi

Conforme à UL STD. 174
Certifié CSA STD. C22.2 NO. 110

SERIAL NO /
Numéro de
Série:

⚠ DANGER



Température de l'eau supérieure à 125°F (52°C) peut provoquer de graves brûlures instantanément ou la mort brûle. Les enfants, les handicapés et les personnes âgées sont les plus à risque d'être échaudés. Voir le manuel d'instructions avant de régler la température au chauffe-eau. Sentez-vous l'eau avant le bain ou douche. Limitation de température les valeurs sont disponibles, voir manuel.

VEUILLEZ NOTER: LES MINI RÉSERVOIRS SONT UNIQUEMENT POUR DES INSTALLATIONS PERMANENTES INTÉRIEURES. AVANT D'ALLUMER LE CHAUFFE-EAU, ASSUREZ-VOUS QUE LE SYSTÈME EST COMPLÈTEMENT REMPLI D'EAU ET QUE TOUT L'AIR EST ÉLIMINÉ. CE MANUEL ET TOUT LE CONTENU ECCOTEMP PEUVENT CHANGER SANS PRÉAVIS. VEUILLEZ VISITER SUPPORT.ECCOTEMP.COM POUR PLUS D'INFORMATIONS.

- ⚠ ATTENTION!** Il faut prendre des dispositions afin de limiter la température de la source de chaleur pour qu'elle n'excède pas le réglage du thermostat du chauffe-eau lorsqu'elle est branchée à celui-ci.
SAFETY
- ⚠ ATTENTION!** Vous devez ajuster le thermostat qui contrôle la source de chaleur supplémentaire située dans le conduit d'eau et celui du chauffe-eau situé en arrière du panneau d'accès pour qu'ils soient à la même température, si l'appareil a été réaménagé avec de l'équipement de chauffage supplémentaire. Ne pas ajuster les deux thermostats à la même température peut causer la perte de contrôle de cette température.
- ⚠ ATTENTION!** N'utilisez l'appareil que sur une source ayant un maximum de 125/250 v et trois systèmes de câble afin de réduire le risque d'électrocution et d'incendie.
- ⚠ ATTENTION!** Reliez le chauffe-eau à la terre afin de réduire le risque d'électrocution. Référez-vous aux instructions pour des informations détaillées.
- ⚠ ATTENTION!** Installez l'équipement de protection requis pour la température et la pression selon les normes. Il doit comporter au moins une combinaison de vannes certifiées de température et une de réduction de pression comme requise par la norme ANSI 21.22. Ces vannes doivent aussi être reconnues par un laboratoire national qui fait des inspections ponctuelles de matériels. La vanne doit bien être orientée, fournie avec un tube ou encore installée afin que le déversement puisse sortir six pouces au-dessus, ou à toute autre distance sous la structure du plancher et ne puisse toucher aucune partie électrique allumée.
- ⚠ DANGER!** Vous devez débrancher l'appareil de la source d'alimentation afin de remplacer le dispositif de limitation de température pour réduire le risque d'électrocution.
- ⚠ MISE EN GARDE!** Pour réduire le risque de pressions et de températures excessives dans ce chauffe-eau, installez un équipement de protection contre la température et la pression requis par les codes locaux et pas moins qu'une soupape de décharge combinée de température et de pression certifiée par un laboratoire d'essai reconnu au niveau national qui contrôle périodiquement la production des produits répertoriés. L'équipement ou les matériaux, comme répondant aux exigences des soupapes de décharge et des dispositifs d'arrêt automatique de gaz pour les systèmes d'alimentation en eau chaude, ANSIZ21.22. Cette vanne doit être marquée avec une pression de réglage maximale ne dépassant pas la pression de service maximale marquée du chauffe-eau. Installez la soupape dans une ouverture prévue et marquée à cet effet dans le chauffe-eau, et orientez-la ou fournissez des tuyaux de sorte que toute décharge de la soupape ne s'écoule que dans les 6 pouces au-dessus ou à n'importe quelle distance en dessous du plancher de la structure, et ne contacter toute pièce électrique sous tension. L'ouverture de décharge ne doit en aucun cas être bloquée ou réduite.

VEUILLEZ NOTER: LES MINI RÉSERVOIRS SONT UNIQUEMENT POUR DES INSTALLATIONS PERMANENTES INTÉRIEURES. AVANT D'ALLUMER LE CHAUFFE-EAU, ASSUREZ-VOUS QUE LE SYSTÈME EST COMPLÈTEMENT REMPLI D'EAU ET QUE TOUT L'AIR EST ÉLIMINÉ. CE MANUEL ET TOUT LE CONTENU ECCOTEMP PEUVENT CHANGER SANS PRÉAVIS. VEUILLEZ VISITER SUPPORT.ECCOTEMP.COM POUR PLUS D'INFORMATIONS.

CHAUFFE-EAU AVEC MINI RÉSERVOIR MAISONINTELLIGENTE ECCOTEMP

Information pour la Sécurité
Précautions Pour Votre Sécurité... 59

Information Générale
Introduction 60

Spécifications Techniques
Spécifiques au Modèle 61
Schéma de Câblage 62
Instructions D'installation 63
Connexions D'eau 64
Soupape de Pression 65-66

Commencer
Remplissage du Chauffe-Eau 67
Utilisation de L'application 68-69
Réglage de la Température 70
Commandes Vocales 73

Entretien
Entretien Ménager 74
Schéma de Soufflage 75-76
Dépannage 77-78

Informations de Garantie
Garantie 79-80
Comparaison de Produits 81

Manuel d'utilisation et d'entretien

Avec Les Instructions De Mises En Place Pour L'installateur

UTILISATION
Lieu d'utilisation

INSTALLATION
À l'intérieur

CAPACITÉ
9,5 L / 15,1 L

FÉLICITATIONS!

Vous venez tout juste d'acheter un nouveau chauffe-eau avec mini réservoir Eccotemp. Plusieurs possibilités s'offrent maintenant à vous.

Nous vous suggérons fortement de prendre le temps de lire tout le processus d'installation et de sécurité dans ce manuel avant d'essayer d'installer votre nouveau chauffe-eau sans réservoir.

Pour toute question, bien vouloir visiter notre assistance en ligne à support.eccotemp.com.

————— **SVP CONSERVER CE MANUEL POUR UN USAGE FUTUR** —————

POUR VOS DOSSIERS

Inscrivez votre numéro de série ici #: _____





You can find them on a label on the appliance and/or packaging. Staple sales slip or canceled check here. Proof of the original purchase date is needed to obtain service under the warranty.

LISEZ CE MANUEL

Vous trouverez à l'intérieur de ce manuel plusieurs astuces utiles sur la façon d'utiliser et de maintenir adéquatement votre chauffe-eau. Des soins préventifs pourront vous faire épargner du temps et de l'argent sur la durée de vie de votre appareil. Vous trouverez également plusieurs réponses à des problèmes communs dans le Guide de dépannage. Il ne sera pas peut-être pas nécessaire de contacter notre service de soutien si vous prenez connaissance du tableau de dépannage en premier lieu.

LISEZ L'INFORMATION RELATIVE À LA SÉCURITÉ

Votre sécurité et celle des autres sont très importantes. Il y a plusieurs messages de sécurité dans ce manuel et sur votre chauffe-eau. Lisez et respectez toujours ces messages de sécurité. Ceci est le symbole d'alerte de sécurité. Repérez-le comme une indication importante à propos de la sécurité! Ce symbole vous alerte à propos de risques pouvant causer votre mort ou celle des autres. Tous les messages de sécurité suivront le symbole d'alerte et les mots suivants : "DANGER", "MISE EN GARDE", "ATTENTION" ou "AVIS". Ces mots signifient:

-  **MISE EN GARDE!** Une situation potentiellement dangereuse pouvant causer un décès, de blessures graves ou des dommages.
-  **DANGER!** Une situation de danger imminent pouvant causer un décès ou de graves blessures.
-  **ATTENTION!** Une situation de danger imminent pouvant causer des blessures mineures ou modérées.
-  **AVIS!** Votre attention est nécessaire pour observer un processus spécifique ou maintenir une condition spécifique.

VEUILLEZ NOTER: LES MINI RÉSERVOIRS SONT UNIQUEMENT POUR DES INSTALLATIONS PERMANENTES INTÉRIEURES. AVANT D'ALLUMER LE CHAUFFE-EAU, ASSUREZ-VOUS QUE LE SYSTÈME EST COMPLÈTEMENT REMPLI D'EAU ET QUE TOUT L'AIR EST ÉLIMINÉ. CE MANUEL ET TOUT LE CONTENU ECCOTEMP PEUVENT CHANGER SANS PRÉAVIS. VEUILLEZ VISITER SUPPORT.ECCOTEMP.COM POUR PLUS D'INFORMATIONS.

INFORMATIONS IMPORTANTES SUR LA SÉCURITÉ

⚠ MISE EN GARDE! Vous devez suivre les mesures de sécurité afin de réduire les risques d'incendie, d'électrocution ou de blessures lorsque vous utilisez des appareils électriques.

1. LISEZ BIEN TOUTES LES INSTRUCTIONS AVANT D'UTILISER LE CHAUFFE-EAU.
2. Ce chauffe-eau doit être mis à terre. Branchez-le correctement à une prise mise à terre. Référez-vous à la section METTRE EN MARCHÉ LE CHAUFFE-EAU située à la page 13.
3. Installez ou placez ce chauffe-eau seulement selon les instructions d'installation fournies.
4. Utilisez uniquement ce chauffe-eau pour l'utilisation prévue qui est décrite dans ce manuel.
5. N'utilisez pas une rallonge électrique avec cet appareil. Contactez un électricien qualifié afin qu'il installe un réceptacle si le courant n'est pas disponible près du chauffe-eau.
6. Comme avec tout appareil, une supervision rapprochée est nécessaire lorsqu'il est utilisé par un enfant.
7. N'utilisez pas ce chauffe-eau s'il a une corde ou prise en mauvais état, s'il ne fonctionne pas bien ou s'il a été endommagé ou s'il est tombé.
8. Seuls des techniciens qualifiés devraient effectuer l'entretien de cet appareil. Contactez une entreprise certifiée près de chez vous si vous avez des questions concernant son fonctionnement ou pour l'entretien.

CONSERVEZ CES INSTRUCTIONS

Le fabricant ou le distributeur n'est pas responsable pour les dommages causés par une installation défectueuse ou parce que les instructions de ce manuel n'ont pas été respectées.

UN TECHNICIEN QUALIFIÉ ET AUTORISÉ EST RECOMMANDÉ POUR L'INSTALLATION DE CE CHAUFFE-EAU ET POUR EFFECTUER TOUS LES TRAVAUX ET TOUT L'ENTRETIEN ULTÉRIEURS.

IMPORTANT!

REMPLISSEZ LE RÉSERVOIR COMPLÈTEMENT AVEC DE L'EAU ET ASSUREZ-VOUS QU'ELLE COULE DU ROBINET D'EAU CHAUDE AVANT DE METTRE EN MARCHÉ LE CHAUFFE-EAU POUR LA PREMIÈRE FOIS OÙ L'APPAREIL POURRAIT ÊTRE ENDOMMAGÉ.

⚠ ATTENTION!

L'hydrogène gazeux peut être produit dans un système d'eau chaude alimenté par un chauffe-eau qui n'a pas été utilisé pendant une longue période (en général, deux semaines ou plus). L'hydrogène gazeux est très inflammable. Afin de réduire le risque de blessure, il est recommandé que le robinet d'eau chaude soit ouvert au moins pendant plusieurs minutes dans le lavabo le plus près desservi par l'appareil avant que tout autre appareil électrique branché à l'eau chaude ne soit utilisé (le lave-vaisselle par exemple). Il y aura probablement un son inhabituel, comme celui de l'air sortant du robinet, lorsque l'eau coulera s'il y a présence d'hydrogène gazeux. Il faut éviter de fumer ou toute flamme nue près du robinet à ce moment.

VEUILLEZ NOTER: LES MINI RÉSERVOIRS SONT UNIQUEMENT POUR DES INSTALLATIONS PERMANENTES INTÉRIEURES. AVANT D'ALLUMER LE CHAUFFE-EAU, ASSUREZ-VOUS QUE LE SYSTÈME EST COMPLÈTEMENT REMPLI D'EAU ET QUE TOUT L'AIR EST ÉLIMINÉ. CE MANUEL ET TOUT LE CONTENU ECCOTEMP PEUVENT CHANGER SANS PRÉAVIS. VEUILLEZ VISITER SUPPORT.ECCOTEMP.COM POUR PLUS D'INFORMATIONS.

Information Générale

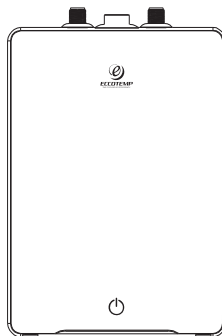
Le chauffe-eau avec mini réservoir MAISONINTELLIGENTE Eccotemp peut être utilisé dans la plupart des bateaux, des caravanes, des mini maisons, des motorisés, à la maison sous l'évier, dans les bureaux, dans les chalets, dans les cuisines, dans appartements et dans les camions alimentaires. Les modèles de chauffe-eau avec mini réservoir MAISONINTELLIGENTE Eccotemp sont conçus pour fournir de l'eau chaude pour le lavage à la main et pour les éviers de cuisine dans un environnement résidentiel.

Les modèles de chauffe-eau avec mini réservoir MAISONINTELLIGENTE Eccotemp peuvent remplacer les chauffe-eau centraux traditionnels et ainsi conserver l'eau réduire l'utilisation d'énergie.

Les modèles de chauffe-eau avec mini réservoir MAISONINTELLIGENTE Eccotemp sont de poids léger, sont compacts et sont conçus pour une installation facile. Ils peuvent être montés sur le mur avec les pièces incluses ou peuvent être placés debout de façon autonome.

Les modèles de chauffe-eau avec mini réservoir MAISONINTELLIGENTE Eccotemp sont conçus pour fonctionner avec une pression d'eau maximale de 150-psi. Vous devez installer une vanne de réduction de pression si la pression de l'eau dépasse 150-psi.

Les chauffe-eau avec mini réservoir MAISONINTELLIGENTE Eccotemp viennent aussi avec une application pour votre téléphone pouvant être téléchargée à partir de l'App Store d'Apple et de Google Play Store. Recherchez "Eccotemp" afin de trouver facilement l'application, téléchargez et installez-la afin de compléter votre mise en place. Vous pouvez également utiliser cette application pour ajuster la température avec votre téléphone ou vos appareils MAISONINTELLIGENTE afin d'augmenter l'efficacité énergétique de votre maison.



⚠ ATTENTION! Le fabricant n'est pas responsable pour les dommages causés par une installation inadéquate ou parce que les instructions de ce manuel n'ont pas été respectées. Conformez-vous bien aux instructions d'installation avant de brancher l'appareil à une prise électrique.

⚠ MISE EN GARDE! Le thermostat a été pré réglé en usine à 125 ° F (51,7 ° C) ou abaisser pour réduire le risque de brûlures.

⚠ MISE EN GARDE! L'installateur devrait revoir le contenu de ce manuel avec le propriétaire de l'appareil avant de terminer son installation. Ce manuel devrait rester avec le propriétaire et être placé près du chauffe-eau.

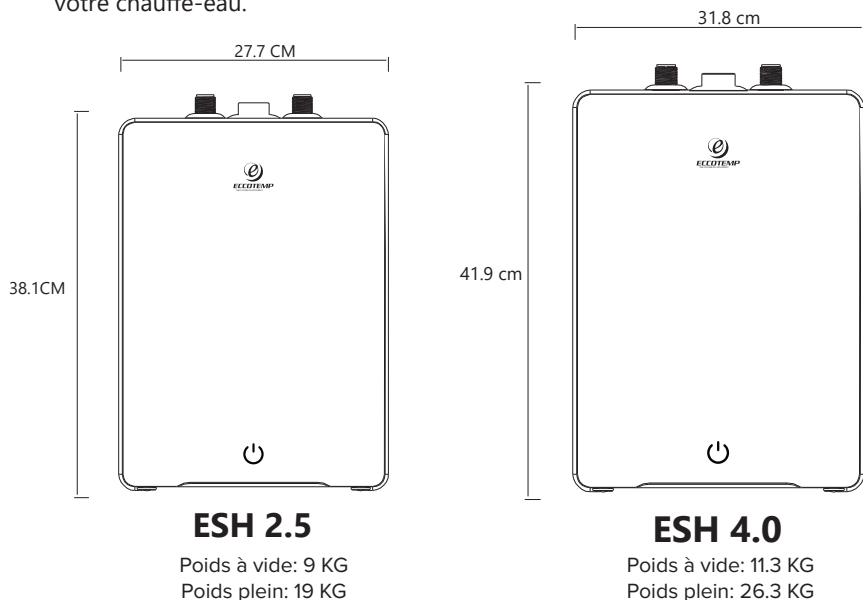
VEUILLEZ NOTER: LES MINI RÉSERVOIRS SONT UNIQUEMENT POUR DES INSTALLATIONS PERMANENTES INTÉRIEURES. AVANT D'ALLUMER LE CHAUFFE-EAU, ASSUREZ-VOUS QUE LE SYSTÈME EST COMPLÈTEMENT REMPLI D'EAU ET QUE TOUT L'AIR EST ÉLIMINÉ. CE MANUEL ET TOUT LE CONTENU ECCOTEMP PEUVENT CHANGER SANS PRÉAVIS. VEUILLEZ VISITER SUPPORT.ECCOTEMP.COM POUR PLUS D'INFORMATIONS.

Spécifications Techniques

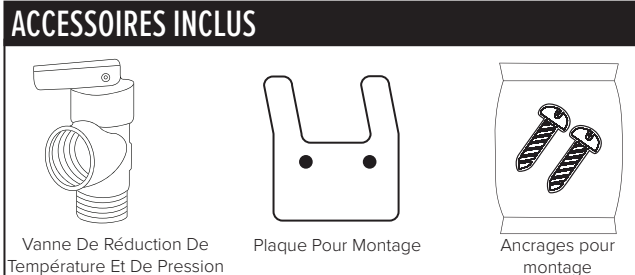
Modèles: Mini Réservoir MAISONINTELLIGENTE Eccotemp Esh 2.5 Et Esh 4.0

Il y a maintenant deux modèles de chauffe-eau avec mini réservoir MAISONINTELLIGENTE : un de 9.5 litre et un de 15.1 litre. Le récipient pressurisé (le réservoir d'eau) est soudé, comporte de l'acier vitrifié et est équipé avec une anode. L'eau est fournie par des connexions NPT standard de 1.3 cm.

Le chauffe-eau comprend un thermostat et un interrupteur pour température élevée pouvant être contrôlés par l'application MAISONINTELLIGENTE Eccotemp ou par un contrôle manuel. Également, une vanne de limitation de pression est fournie avec votre chauffe-eau.



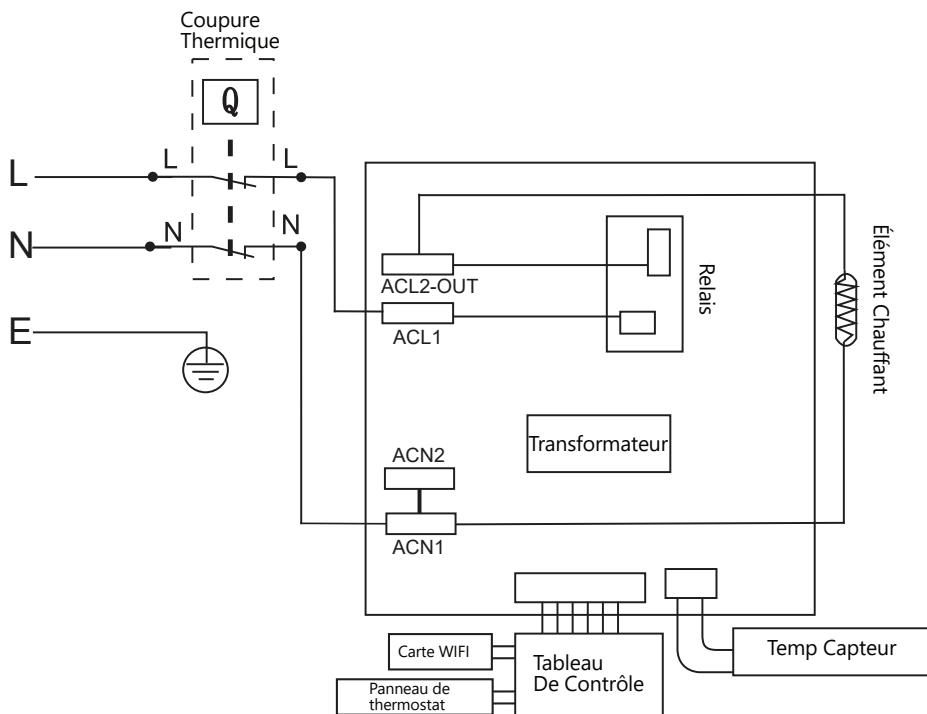
⚠ PRENDRE NOTE! Vous devez vous assurer que la poignée de contrôle manuelle pour la température est en mode WIFI avant de pouvoir utiliser les paramètres WIFI.



VEUILLEZ NOTER: LES MINI RÉSERVOIRS SONT UNIQUEMENT POUR DES INSTALLATIONS PERMANENTES INTÉRIEURES. AVANT D'ALLUMER LE CHAUFFE-EAU, ASSUREZ-VOUS QUE LE SYSTÈME EST COMPLÈTEMENT REMPLI D'EAU ET QUE TOUT L'AIR EST ÉLIMINÉ. CE MANUEL ET TOUT LE CONTENU ECCOTEMP PEUVENT CHANGER SANS PRÉAVIS. VEUILLEZ VISITER SUPPORT.ECCOTEMP.COM POUR PLUS D'INFORMATIONS.

Spécifications Techniques

Schéma De Câblage



Spécifications pour l'électricité, la pression et la récupération

Données Techniques			
MODÈLE	Appareil	ESH-2.5	ESH-4.0
Capacité	Litre	9.5 L	15.1 L
Voltage	VAC	110-120	110-120
Puissance @ 120 VCA	Watts	1440	1440
Pression eau max.	Psi	150	150
Poids (vide)	KG	9	19
Ampérage	Ampères	12	12
Phases		1	1
Raccord de Tuyau	Centimètre	1.27 cm NPT	1.27 cm NPT

VEUILLEZ NOTER: LES MINI RÉSERVOIRS SONT UNIQUEMENT POUR DES INSTALLATIONS PERMANENTES INTÉRIEURES. AVANT D'ALLUMER LE CHAUFFE-EAU, ASSUREZ-VOUS QUE LE SYSTÈME EST COMPLÈTEMENT REMPLI D'EAU ET QUE TOUT L'AIR EST ÉLIMINÉ. CE MANUEL ET TOUT LE CONTENU ECCOTEMP PEUVENT CHANGER SANS PRÉAVIS. VEUILLEZ VISITER SUPPORT.ECCOTEMP.COM POUR PLUS D'INFORMATIONS.

Instructions Pour Installation

Un professionnel certifié devrait compléter l'installation en respectant toutes les normes et tous les codes en vigueur. Le fabricant ne sera pas tenu responsable pour tout dommage causé parce que les instructions d'installation n'ont pas été suivies ou à cause d'une installation inadéquate faite par un installateur qualifié

CHOISISSEZ UN ENPLACEMENT

Choisissez un endroit qui permet un accès facile pour l'entretien et avec idéalement une distance de 9 pi avec le plafond ou l'intérieur d'une armoire.

Remarque: N'installez l'appareil qu'en position verticale.

Autonome

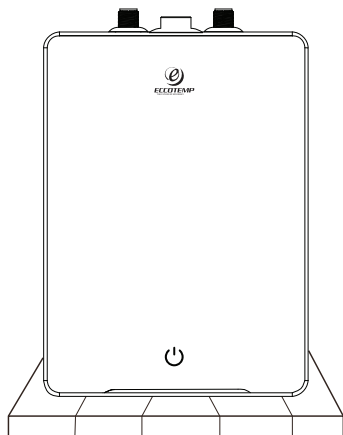
Placez l'appareil sur le sol, sous un lavabo ou dans un cabinet, comme illustré dans le diagramme plus bas et sur la couverture de ce manuel.

Remarque: Assurez-vous de laisser au moins 9 pi d'espace au-dessus du chauffe-eau.

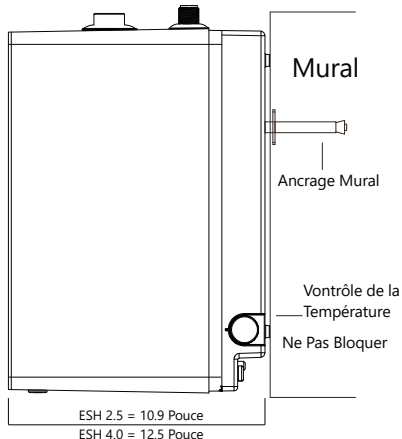
Fixé Au Mur

Fixez le support de montage qui est fourni au mur. Utilisez des vis convenant à votre type de mur et pouvant soutenir le poids du chauffe-eau lorsqu'il est rempli au maximum de sa capacité (ESH-2.5-18.1 KG et ESH-4.0- 26.3). Accrochez l'appareil sur le support de montage et tirez vers le bas du chauffe-eau afin de vous assurer que les deux doigts du support sont bien insérés dans les trous de montage

Remarque: Confirmez l'orientation des conduits d'eau (chaude et froide) avant le montage au mur.



Debout Sur le Sol



VEUILLEZ NOTER: LES MINI RÉSERVOIRS SONT UNIQUEMENT POUR DES INSTALLATIONS PERMANENTES INTÉRIURES. AVANT D'ALLUMER LE CHAUFFE-EAU, ASSUREZ-VOUS QUE LE SYSTÈME EST COMPLÈTEMENT REMPLI D'EAU ET QUE TOUT L'AIR EST ÉLIMINÉ. CE MANUEL ET TOUT LE CONTENU ECCOTEMP PEUVENT CHANGER SANS PRÉAVIS. VEUILLEZ VISITER SUPPORT.ECCOTEMP.COM POUR PLUS D'INFORMATIONS.

Instructions Pour Installation

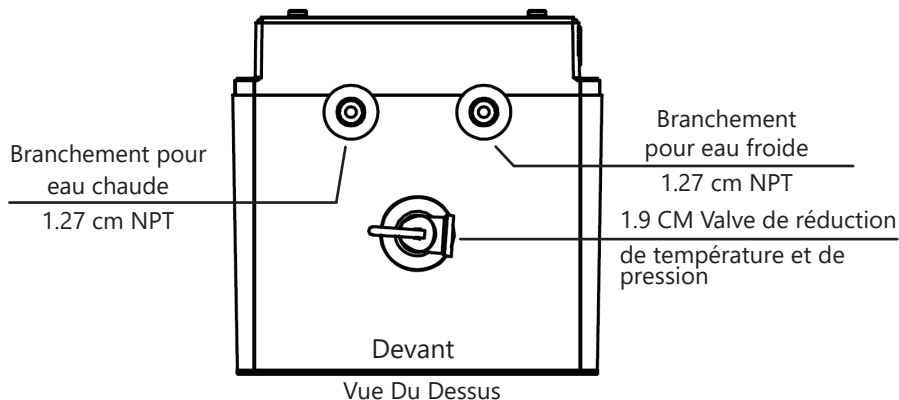
BRANCHEMENTS D'EAU

Ils devraient être orientés près du lieu d'installation. Assurez-vous qu'il y ait assez d'espace pour les tuyaux d'entrée et de sortie d'eau afin qu'ils puissent atteindre l'appareil.

Remarque: Utilisez des branchements diélectriques pour empêcher la corrosion si vos conduits d'eau sont en bronze et en cuivre. Ne pas le faire pourrait causer des dommages à votre chauffe-eau et annuler votre garantie. Soudez une pièce du tuyau à un raccord fileté avant de visser ce raccord au réservoir afin de protéger votre chauffe-eau contre les dommages pouvant être causés par la soudure.

1. Installez une vanne de fermeture alignée avec le tuyau d'eau froide.
2. Branchez le tuyau d'eau froide avec le raccord d'entrée marqué avec un anneau bleu.
3. Branchez le tuyau d'eau chaude avec le raccord de sortie marqué avec un anneau rouge.

⚠ AVIS : N'essayez pas de retirer la rondelle en caoutchouc.



IMPORTANT: Ne pas fournir d'isolation diélectrique pourrait causer des défauts prématurés du réservoir et du raccord et pourrait annuler votre garantie. La vanne de réduction de température et de pression (vanne t&p) est pour l'entretien et elle devrait toujours être en position ouverte lorsque le chauffe-eau fonctionne. **NE PAS METTRE DE LA CHALEUR SUR CONDUITS D'ENTRÉE OU DE SORTIE.**

VEUILLEZ NOTER: LES MINI RÉSERVOIRS SONT UNIQUEMENT POUR DES INSTALLATIONS PERMANENTES INTÉRIEURES. AVANT D'ALLUMER LE CHAUFFE-EAU, ASSUREZ-VOUS QUE LE SYSTÈME EST COMPLÈTEMENT REMPLI D'EAU ET QUE TOUT L'AIR EST ÉLIMINÉ. CE MANUEL ET TOUT LE CONTENU ECCOTEMP PEUVENT CHANGER SANS PRÉAVIS. VEUILLEZ VISITER SUPPORT.ECCOTEMP.COM POUR PLUS D'INFORMATIONS.

Instructions Pour Installation

VANNE DE RÉDUCTION DE TEMPÉRATURE ET DE PRESSION

EXPANSION DU SYSTÈME THERMIQUE FERMÉ : un déversement périodique de la vanne de réduction ou une défaillance du joint peut être causé par l'expansion thermique du système d'approvisionnement d'eau fermé. Le compteur du système peut contenir un clapet de retenue, un disconnecteur hydraulique ou une vanne de réduction de pression qui créera un système d'eau fermé. Pendant le cycle de réchauffement du chauffe-eau, l'eau chauffée prend de l'ampleur et augmente ainsi la pression à l'intérieur de l'appareil. La vanne de réduction t&p pourrait déverser de l'eau chaude sous ces conditions. Cela pourrait résulter dans une perte d'énergie et dans un dépôt de chaux sur la vanne de réduction. Voici deux recommandations pour vous aider à prévenir ce phénomène :

1. Installez un diaphragme de type domestique pour eau chaude dans le réservoir de dilatation (il convient pour de l'eau potable) sur le conduit d'eau froide. Ce réservoir doit avoir une capacité minimale de 5.7 litre américain pour 189.3 litre d'eau emmagasinés.

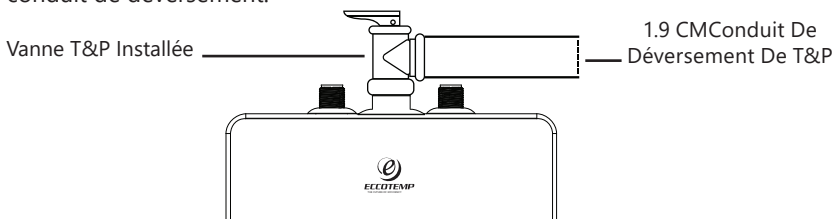
2. Installez une vanne de réduction de pression de 125 PSI dans le conduit d'eau froide. Assurez-vous que le déversement de cette vanne est dirigé vers un drain ouvert et protégé du gel.

Une vanne de réduction de température et de pression (vanne t&p) est incluse avec le chauffe-eau et est certifiée par un laboratoire national reconnu. Elle est conçue afin de réduire le risque de pression et de température excessives dans l'appareil et elle devrait être installée selon les normes en vigueur. La vanne t&p est dotée d'une pression maximale, laquelle ne doit pas excéder la pression maximale du chauffe-eau en marche (150 psi).

Remarque: Assurez-vous bien que le nombre de PSI maximal indiqué sur la vanne

NE DÉPASSE PAS la pression maximale indiquée lorsque le chauffe-eau est en marche, si vous utilisez une vanne de réduction de température et de pression différente que celle fournie avec l'achat de l'appareil.

1. Installez la vanne T&P de 1,9 cm fournie avec le chauffe-eau dans le grand ouverture fileté située en haut du chauffe-eau
2. Attachez un conduit de déversement à partir de la vanne t&p et se terminant dans un lavabo ou dans un drain. Ne bouchez pas ou ne fermez pas le bout du conduit de déversement.



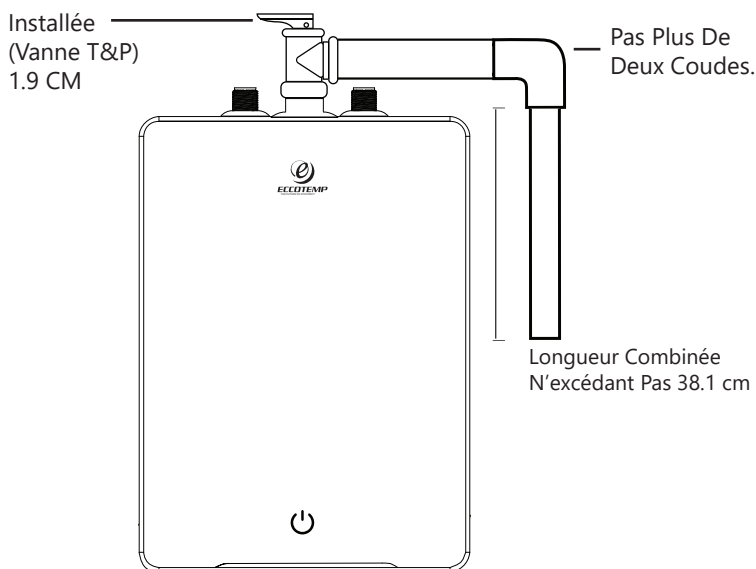
VEUILLEZ NOTER: LES MINI RÉSERVOIRS SONT UNIQUEMENT POUR DES INSTALLATIONS PERMANENTES INTÉRIEURES. AVANT D'ALLUMER LE CHAUFFE-EAU, ASSUREZ-VOUS QUE LE SYSTÈME EST COMPLÈTEMENT REMPLI D'EAU ET QUE TOUT L'AIR EST ÉLIMINÉ. CE MANUEL ET TOUT LE CONTENU ECCOTEMP PEUVENT CHANGER SANS PRÉAVIS. VEUILLEZ VISITER SUPPORT.ECCOTEMP.COM POUR PLUS D'INFORMATIONS.

Instructions Pour Installation

VANNE DE RÉDUCTION DE TEMPÉRATURE ET DE PRESSION

Un conduit de déversement devrait être installé avec une distance de six pieds au-dessus, ou à n'importe quelle distance en dessous, et ne doit pas être en contact avec aucune pièce électrique en marche. L'ouverture de déversement de la t&p ne doit pas être bloquée ou réduite de grandeur en aucune circonstance.

IMPORTANT : Ne pas fournir d'isolation diélectrique pourrait causer des défauts prématurés du réservoir et du raccord et pourrait annuler votre garantie. La vanne de réduction de température et de pression (vanne t&p) est pour l'entretien et elle devrait toujours être en position ouverte lorsque le chauffe-eau fonctionne. NE PAS METTRE DE LA CHALEUR SUR CONDUITS D'ENTRÉE OU DE SORTIE.



Installation Du Conduit De Déversement De La Vanne T&P

1. NE DOIT PAS avoir un diamètre plus petit que le diamètre de sortie de la vanne, ou tout autre raccord de réduction.
2. NE DOIT PAS être bouché ou bloqué.
3. Doit être fait de matériaux résistant à l'eau chaude.
4. Ne doit pas avoir plus de 38.1 cm de longueur.
5. Ne doit pas avoir plus de deux coudes.
6. Doit se terminer avec un drain adéquat.
7. Ne doit pas avoir une vanne de fermeture entre la vanne de réduction et le réservoir ou de la vanne de réduction et de la fin du conduit de déversement.

VEUILLEZ NOTER: LES MINI RÉSERVOIRS SONT UNIQUEMENT POUR DES INSTALLATIONS PERMANENTES INTÉRIEURES. AVANT D'ALLUMER LE CHAUFFE-EAU, ASSUREZ-VOUS QUE LE SYSTÈME EST COMPLÈTEMENT REMPLI D'EAU ET QUE TOUT L'AIR EST ÉLIMINÉ. CE MANUEL ET TOUT LE CONTENU ECCOTEMP PEUVENT CHANGER SANS PRÉAVIS. VEUILLEZ VISITER SUPPORT.ECCOTEMP.COM POUR PLUS D'INFORMATIONS.

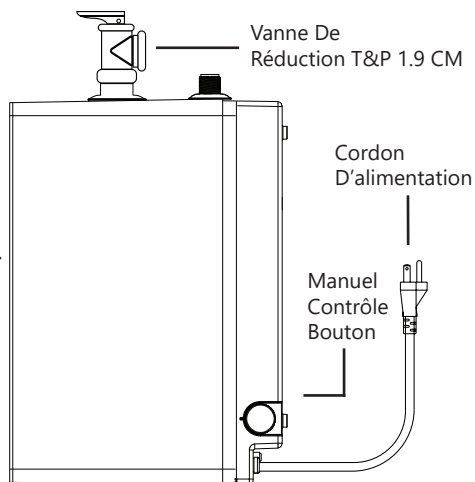
Démarrage

REMPILIR LE CHAUFFE-EAU

Avant de brancher le courant, remplissez le réservoir et le système avec de l'eau et vérifiez pour des fuites.

Afin de bien vous assurer que tout l'air qui reste ne soit plus dans l'eau, ouvrez le robinet d'eau chaude sur votre appareil jusqu'à ce qu'il y ait un flot continu d'eau. Tout air restant dans le réservoir causera la défaillance de l'élément du réservoir d'eau.

1. Ouvrez le robinet d'eau chaude.
2. Ouvrez la vanne d'approvisionnement d'eau froide.
3. Le réservoir est rempli lorsqu'un flot continu d'eau jaillit du robinet.
4. Fermez le robinet d'eau chaude.
5. Vérifiez tout le système pour repérer des fuites.



METTRE EN MARCHÉ LE CHAUFFE-EAU

⚠ ATTENTION! Assurez-vous que l'appareil soit complètement rempli d'eau et que TOUT L'AIR SOIT RETIRÉ avant de mettre en marche le chauffe-eau.

Ouvrez le robinet d'eau CHAUDE sur l'installation jusqu'à ce qu'un flot constant en jaillisse pour bien vous assurer qu'il n'y a plus d'air dans le chauffe-eau. Si de l'air demeure dans le réservoir, l'élément sera endommagé lorsque le fil électrique sera branché à celui-ci.

Le chauffe-eau avec mini réservoir MAISONINTELLIGENTE Eccotemp est offert équipé avec un câble d'alimentation conçu pour être branché dans une prise standard de 110/120 v. Respectez toutes les normes et tous les codes en vigueur. Le chauffe-eau avec mini réservoir MAISONINTELLIGENTE Eccotemp est conçu et câblé selon les exigences ETL.

Mettre en marche votre chauffe-eau avec mini réservoir MAISONINTELLIGENTE Eccotemp :

1. Branchez-le à une prise de courant mise à la terre.
2. Ajustez la température du chauffe-eau soit avec les contrôles manuels ou avec l'application MAISONINTELLIGENTE. Les contrôles manuels de température sont situés vers l'arrière du côté droit.
3. Vous devez compter jusqu'à 25 minutes afin d'atteindre la température souhaitée.

Le chauffe-eau avec mini réservoir MAISONINTELLIGENTE Eccotemp est offert équipé avec un capteur de surchauffe doté d'une réinitialisation manuelle aussi connue sous le nom de température limite. Ce dispositif a été installé en usine afin d'interrompre le courant dans le cas d'une défaillance du thermostat. La réinitialisation manuelle est située à l'arrière du midi et au milieu du fond. Il est possible que vous deviez démonter l'appareil, s'il est fixé au mur, afin d'atteindre l'interrupteur de réinitialisation.

VEUILLEZ NOTER: LES MINI RÉSERVOIRS SONT UNIQUEMENT POUR DES INSTALLATIONS PERMANENTES INTÉRIEURES. AVANT D'ALLUMER LE CHAUFFE-EAU, ASSUREZ-VOUS QUE LE SYSTÈME EST COMPLÈTEMENT REMPLI D'EAU ET QUE TOUT L'AIR EST ÉLIMINÉ. CE MANUEL ET TOUT LE CONTENU ECCOTEMP PEUVENT CHANGER SANS PRÉAVIS. VEUILLEZ VISITER SUPPORT.ECCOTEMP.COM POUR PLUS D'INFORMATIONS.

App Mobile Eccotemp MAISONINTELLIGENTE

FRANÇAIS

DÉMARRAGE

Branchez votre chauffe-eau à vos appareils intelligents

Le chauffe-eau avec mini réservoir MAISONINTELLIGENTE Eccotemp est doté d'une application mobile facile à utiliser. Cette dernière vous permettra de contrôler des fonctions comme ARRÊT et MARCHE et les ajustements de température. Notre application mobile est compatible avec les appareils MAISONINTELLIGENTE comme Alexa d'Amazon et Google Home, ce qui vous permet d'effectuer des commandes avec votre voix. Laissez notre application vous dire exactement combien vous avez dépensé pour chauffer l'eau.



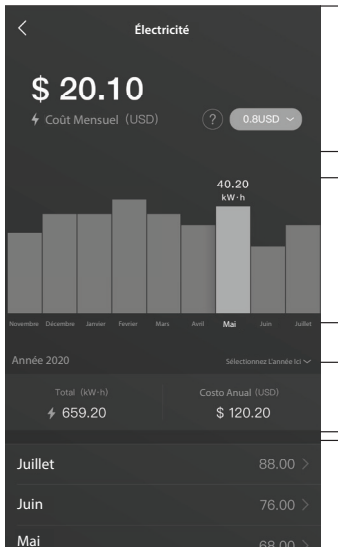
Température

La température de l'ESH peut être changée à distance avec l'application Eccotemp.



Statistiques

L'application Eccotemp vous permet d'enregistrer toutes les statistiques pour votre appareil.



Coût Pour Le Mois En Cours

Historique Visuelle Des Coûts

Ventilation Annuelle

Ventilation Quotidienne
(Peut Être Affichée Lorsque Sélectionnée)

VEUILLEZ NOTER: LES MINI RÉSERVOIRS SONT UNIQUEMENT POUR DES INSTALLATIONS PERMANENTES INTÉRIEURES. AVANT D'ALLUMER LE CHAUFFE-EAU, ASSUREZ-VOUS QUE LE SYSTÈME EST COMPLÈTEMENT REMPLI D'EAU ET QUE TOUT L'AIR EST ÉLIMINÉ. CE MANUEL ET TOUT LE CONTENU ECCOTEMP PEUVENT CHANGER SANS PRÉAVIS. VEUILLEZ VISITER [SUPPORT.ECCOTEMP.COM](https://support.eccotemp.com) POUR PLUS D'INFORMATIONS.

App Mobile Eccotemp MAISONINTELLIGENTE



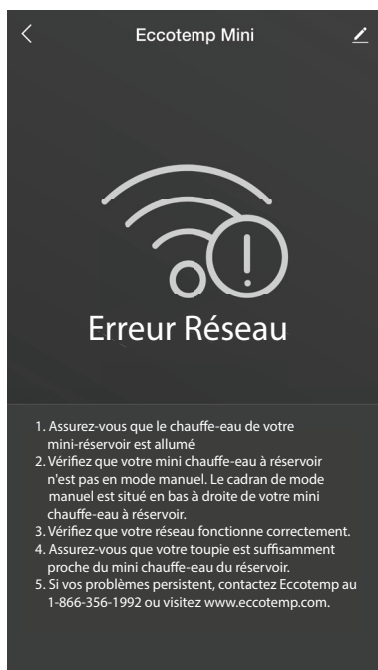
Codes D'erreur

L'application Eccotemp est dotée d'un système de dépannage pour diagnostiquer toute erreur avec le système.



Erreur De Réseau

Le système de dépannage intégré vous dira s'il y a un problème avec le WIFI.



Vous avez un problème avec votre ESH Eccotemp ESH? Notre application **MAISONINTELLIGENTE** vous dira exactement de quoi il s'agit. Téléchargez-la dès aujourd'hui afin de pouvoir utiliser toutes les capacités de votre ESH **MAISONINTELLIGENTE** Eccotemp. Vous n'avez qu'à rechercher «Eccotemp» sur l'App Store d'Apple ou sur Google Play.

VEUILLEZ NOTER: LES MINI RÉSERVOIRS SONT UNIQUEMENT POUR DES INSTALLATIONS PERMANENTES INTÉRIEURES. AVANT D'ALLUMER LE CHAUFFE-EAU, ASSUREZ-VOUS QUE LE SYSTÈME EST COMPLÈTEMENT REMPLI D'EAU ET QUE TOUT L'AIR EST ÉLIMINÉ. CE MANUEL ET TOUT LE CONTENU ECCOTEMP PEUVENT CHANGER SANS PRÉAVIS. VEUILLEZ VISITER SUPPORT.ECCOTEMP.COM POUR PLUS D'INFORMATIONS.

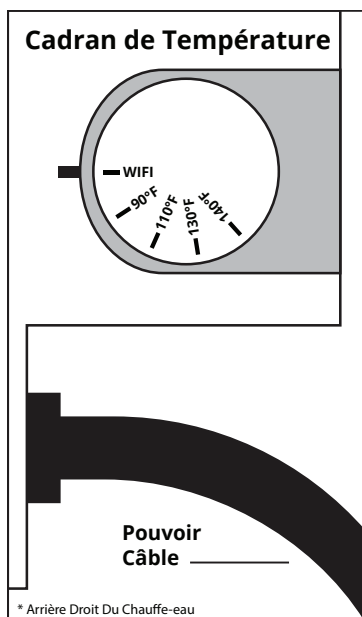
Démarrage

RÉGLER LA TEMPÉRATURE

⚠ MISE EN GARDE! Ce chauffe-eau est conçu pour une prise standard de 110/120 v. **NE LE BRANCHEZ PAS AVEC AUCUN AUTRE VOLTAGE.** Ne pas utiliser le voltage adéquat pourrait causer des blessures ou des dommages à votre propriété. Si le câblage électrique fourni est endommagé ou s'il n'est pas assez long, n'utilisez PAS un câble d'extension. Vous devez demander à un électricien certifié de remplacer le câblage électrique.

Félicitations! Vous êtes maintenant prêt à utiliser votre chauffe-eau. Faites couler l'eau chaude dans un robinet à proximité et évaluez sa température. Faites tous les ajustements de température selon la section plus bas.

AJUSTER VOTRE THERMOSTAT



Mode Manuel: Tournez le cadran dans une des deux directions afin d'ajuster votre température à la hausse ou à la baisse. Tournez dans le sens des aiguilles d'une montre pour augmenter la température ou dans le sens contraire pour la diminuer. Répétez cette étape jusqu'à ce que vous ayez atteint la température désirée.

Utilisation de l'application: votre mini réservoir se connectera à vos appareils intelligents et à votre téléphone intelligent pour vous permettre de modifier la température.

Remarque: Lorsque vous êtes en mode manuel, vous NE POURREZ PAS contrôler le mini réservoir à distance avec l'application MAISONINTELLIGENTE.

VEUILLEZ NOTER: LES MINI RÉSERVOIRS SONT UNIQUEMENT POUR DES INSTALLATIONS PERMANENTES INTÉRIEURES. AVANT D'ALLUMER LE CHAUFFE-EAU, ASSUREZ-VOUS QUE LE SYSTÈME EST COMPLÈTEMENT REMPLI D'EAU ET QUE TOUT L'AIR EST ÉLIMINÉ. CE MANUEL ET TOUT LE CONTENU ECCOTEMP PEUVENT CHANGER SANS PRÉAVIS. VEUILLEZ VISITER SUPPORT.ECCOTEMP.COM POUR PLUS D'INFORMATIONS.

Démarrage

UTILISER L'APPLICATION

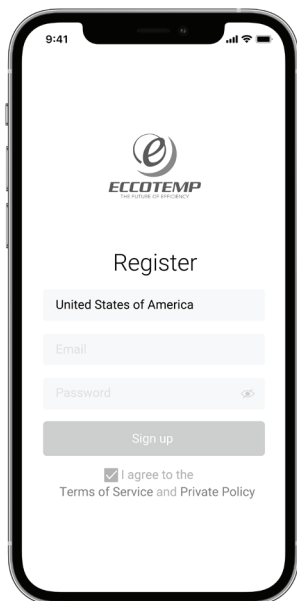
1. Téléchargez L'application Pour Débuter

Trouvez et téléchargez l'application Eccotemp pour téléphones intelligents sur l'App Store d'Apple ou sur Google Play en inscrivant « Eccotemp » dans le panneau de recherche.

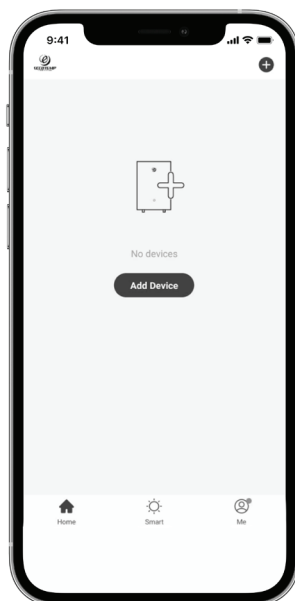
2. Installation et Connexion

Once the app is installed, create a login and connect the app to the water heater. Follow the directions on screen and make sure the temperature knob, located on the back right side of the water heater, is set to WIFI mode to complete the process.

Enregistrement d'un Nouvel Utilisateur



Ajouter un nouvel appareil



VEUILLEZ NOTER: LES MINI RÉSERVOIRS SONT UNIQUEMENT POUR DES INSTALLATIONS PERMANENTES INTÉRIEURES. AVANT D'ALLUMER LE CHAUFFE-EAU, ASSUREZ-VOUS QUE LE SYSTÈME EST COMPLÈTEMENT REMPLI D'EAU ET QUE TOUT L'AIR EST ÉLIMINÉ. CE MANUEL ET TOUT LE CONTENU ECCOTEMP PEUVENT CHANGER SANS PRÉAVIS. VEUILLEZ VISITER SUPPORT.ECCOTEMP.COM POUR PLUS D'INFORMATIONS.

Démarrage

UTILISER L'APPLICATION

3. Utiliser L'application

Vous serez capable de contrôler la température à distance et les statuts Arrêt et de votre chauffe-eau avec mini réservoir lorsque l'application **MAISONINTELLIGENTE** sera branchée. Il y a un écran avec les statistiques énergétiques qui vous permettra de suivre votre utilisation et de gérer la consommation d'énergie de votre appareil. Utilisez et revoir régulièrement votre application vous aidera à mieux cerner vos besoins au niveau du réchauffement de l'eau, vous aidera à utiliser les ressources appropriées et vous aidera à économiser de l'argent.

4. Se Connecter

Notre application mobile est compatible avec les appareils **MAISONINTELLIGENTE** comme Alexa d'Amazon et Google Home. Une fois branché, le chauffe-eau avec mini réservoir **MAISONINTELLIGENTE** Eccotemp reconnaîtra des commandes vocales comme «Ok Google, tu peux arrêter ma mini

5. Autres Fonctions des Boutons

- Lorsqu'un bouton clignote rapidement pendant 120 secondes : c'est lorsque l'appareil est branché en mode WIFI. Vous devez appuyer le bouton marche/arrêt pendant dix secondes pour déclencher ou remettre en marche le mode de connexion.
- Le bouton solide bleu d'alimentation veut dire que l'appareil est arrêté.
- Le bouton d'alimentation rouge fixe signifie que le mini est allumé.
- L'application intelligente Eccotemp ne fonctionnera pas lorsque vous utilisez le bouton de mode manuel.
- Le chauffe-eau avec mini réservoir sera réglé par défaut à 48 degrés Celsius si la température n'est pas réglée avec la poignée ou l'application.

VEUILLEZ NOTER: LES MINI RÉSERVOIRS SONT UNIQUEMENT POUR DES INSTALLATIONS PERMANENTES INTÉRIEURES. AVANT D'ALLUMER LE CHAUFFE-EAU, ASSUREZ-VOUS QUE LE SYSTÈME EST COMPLÈTEMENT REMPLI D'EAU ET QUE TOUT L'AIR EST ÉLIMINÉ. CE MANUEL ET TOUT LE CONTENU ECCOTEMP PEUVENT CHANGER SANS PRÉAVIS. VEUILLEZ VISITER [SUPPORT.ECCOTEMP.COM](https://support.eccotemp.com) POUR PLUS D'INFORMATIONS.

Démarrage

Utilisation Des Commandes Vocales

Le chauffe-eau ESH avec mini réservoir Eccotemp est le premier chauffe-eau MAISONINTELLIGENTE de son genre à fonctionner avec une application mobile et par contrôle vocal. Ajoutez tout simplement votre chauffe-eau MAISONINTELLIGENTE en insérant un nouvel appareil lorsque vous utiliserez votre application Alexa Amazon ou Google Home. Vous pourrez alors utiliser les commandes vocales lorsqu'il aura été ajouté à une de ces deux applications.

Remarque: Toutes les commandes doivent débuter avec "Alexa" ou "OK, Google" avant de faire une commande à l'appareil.

Amazon Alexa

Objet	Commande
Changer À Marche/ Arrêt	Mettre en marche <nom appareil> Arrêter <nom appareil>
Régler La Température	Régler <nom appareil> à <X> degrés. Augmenter <nom appareil> Diminuer <nom appareil>
Vérifier le réglage de la température	À quoi mon <nom appareil> est-il réglé? Ame

Google Home

Objet	Commande
Changer À Marche/ Arrêt	Activez <nom appareil> Désactivez <nom de l'appareil>
Régler La Température	Régler <nom appareil> à <X> degrés plus chaud/plus froid
Vérifier le réglage de la température	À quoi le <nom appareil> est-il défini?

Note : Ce tableau est pour fin de démonstration seulement et les commandes vocales disponibles peuvent varier selon le type d'appareil, les mises à jour et les disponibilités au niveau de l'emplacement.

VEUILLEZ NOTER: LES MINI RÉSERVOIRS SONT UNIQUEMENT POUR DES INSTALLATIONS PERMANENTES INTÉRIEURES. AVANT D'ALLUMER LE CHAUFFE-EAU, ASSUREZ-VOUS QUE LE SYSTÈME EST COMPLÈTEMENT REMPLI D'EAU ET QUE TOUT L'AIR EST ÉLIMINÉ. CE MANUEL ET TOUT LE CONTENU ECCOTEMP PEUVENT CHANGER SANS PRÉAVIS. VEUILLEZ VISITER SUPPORT.ECCOTEMP.COM POUR PLUS D'INFORMATIONS.

Entretien

⚠️ AVIS! Vous pouvez économiser de l'énergie en réduisant les réglages de température manuellement ou avec l'application Eccotemp lorsque l'appareil n'est pas utilisé pendant une longue période.

Protégez le chauffe-eau contre les dommages causés par le gel si vous ne planifiez pas l'utiliser pendant une longue période. Débranchez votre chauffe-eau et drainez-le.

NETTOYAGE

Votre chauffe-eau vous servira pendant de nombreuses années s'il est bien entretenu. Nous vous recommandons d'effectuer une inspection des conduits tous les six mois.

Au moins une fois par année, soulevez et libérez la poignée du levier sur la vanne de réduction de pression. Elle est située entre les conduits d'eau chaude et d'eau froide. Assurez-vous que cette vanne fonctionne bien et de façon libre. Également, laissez plusieurs gallons circuler à travers le conduit de déversement jusqu'au drain ouvert.

Inspectez la zone autour du chauffe-eau afin de vous assurer que l'environnement soit sécuritaire. Gardez cet endroit exempt de tout objet pouvant endommager votre appareil. Contactez un technicien pour effectuer une inspection en règle si vous constatez des dommages ou une déformation sur votre chauffe-eau.

NE PAS utiliser l'appareil si vous croyez qu'il est défectueux.

NE PAS permettre à des enfants d'utiliser ou de faire fonctionner l'appareil.

⚠️ AVIS! Il pourrait y avoir un problème avec votre système d'eau si la vanne de réduction de pression sur le chauffe-eau effectue souvent des déversements. Contactez l'entreprise de distribution d'eau ou votre plombier afin de connaître comment vous pouvez corriger cette situation. NE bloquez PAS la sortie de la vanne de réduction.

DRAINAGE ET ENTREPOSAGE

Drainer votre chauffe-eau:

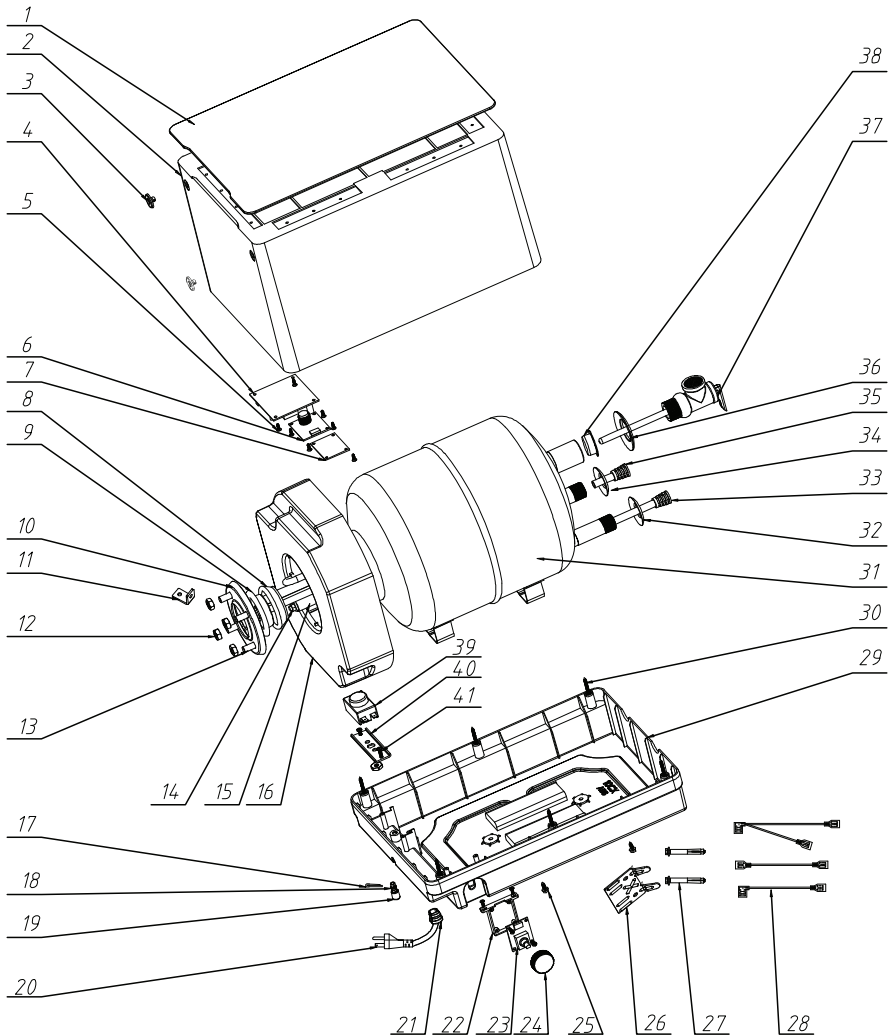
1. Débranchez l'appareil.
2. Ouvrez un robinet d'eau chaude afin de vider celle-ci. Laissez l'eau jaillir jusqu'à ce qu'elle ne soit plus chaude.
3. Fermez le conduit d'eau froide du chauffe-eau.
4. Fermez le robinet d'eau chaude.
5. Débranchez le chauffe-eau des conduits d'eau chaude et d'eau froide.
6. Si possible, siphonnez tout ce qui reste d'eau.
7. Détachez soigneusement l'appareil du mur (le cas échéant).
8. Inclinez le chauffe-eau afin de drainer l'eau restante de l'appareil.

VEUILLEZ NOTER: LES MINI RÉSERVOIRS SONT UNIQUEMENT POUR DES INSTALLATIONS PERMANENTES INTÉRIEURES. AVANT D'ALLUMER LE CHAUFFE-EAU, ASSUREZ-VOUS QUE LE SYSTÈME EST COMPLÈTEMENT REMPLI D'EAU ET QUE TOUT L'AIR EST ÉLIMINÉ. CE MANUEL ET TOUT LE CONTENU ECCOTEMP PEUVENT CHANGER SANS PRÉAVIS. VEUILLEZ VISITER SUPPORT.ECCOTEMP.COM POUR PLUS D'INFORMATIONS.

Entretien

SCHÉMA DÉTAILLÉ

Les numéros correspondent au tableau de la page 76



VEUILLEZ NOTER: LES MINI RÉSERVOIRS SONT UNIQUEMENT POUR DES INSTALLATIONS PERMANENTES INTÉRIEURES. AVANT D'ALLUMER LE CHAUFFE-EAU, ASSUREZ-VOUS QUE LE SYSTÈME EST COMPLÈTEMENT REMPLI D'EAU ET QUE TOUT L'AIR EST ÉLIMINÉ. CE MANUEL ET TOUT LE CONTENU ECCOTEMP PEUVENT CHANGER SANS PRÉAVIS. VEUILLEZ VISITER SUPPORT.ECCOTEMP.COM POUR PLUS D'INFORMATIONS.

Entretien

No.	Nom des pièces	QTÉ
1	Panneau du devant (verre trempé)	1
2	Couvercle du devant	1
3	Coussinets de pied	2
4	Contrôle de commande	1
5	Vis C autocollantes	11
6	Contrôle de commande du devant	1
7	Contrôle de commande wifi	1
8	Anneau scellant de l'élément	1
9	Élément chauffant	1
10	Couvercle de bride	1
11	Support en forme de L	2
12	Écrou M8	4
13	Boulon à tête carrée M8	4
14	Écrou d'anode de magnésium M6	1
15	Écrou d'anode de magnésium	1
16	Base de plastique	1
17	Bouton de réinitialisation	1
18	Ressort	1
19	Bouton de réinitialisation extérieur	1
20	Câble d'alimentation	1
21	Pince du câble d'alimentation	1
22	Base de plastique	1
23	Contrôle des commandes de température	1
24	Poignée de contrôle	1
25	Boulon hexagonal externe (autocollant)	2
26	Support de montage	1
27	Boulon d'expansion M6	2
28	Fils internes	1
29	Couvercle de l'arrière	1
30	Vis pour installation du couvercle	6
31	Réservoir interne	1
32	Manchon en caoutchouc (in)	1
33	Tuyau d'entrée	1
34	Manchon en caoutchouc (out)	1
35	Tuyau de sortie	1
36	Manchon en caoutchouc (vanne t&p)	1
37	Vanne T&P	1
38	Couvercle en caoutchouc (vanne t&p)	1
39	Limiteur de température	1
40	Support de limiteur de température	1
41	Vis autocollantes (3,5 x 16)	2

*Le tableau correspond au schéma de la page 75.

VEUILLEZ NOTER: LES MINI RÉSERVOIRS SONT UNIQUEMENT POUR DES INSTALLATIONS PERMANENTES INTÉRIEURES. AVANT D'ALLUMER LE CHAUFFE-EAU, ASSUREZ-VOUS QUE LE SYSTÈME EST COMPLÈTEMENT REMPLI D'EAU ET QUE TOUT L'AIR EST ÉLIMINÉ. CE MANUEL ET TOUT LE CONTENU ECCOTEMP PEUVENT CHANGER SANS PRÉAVIS. VEUILLEZ VISITER SUPPORT.ECCOTEMP.COM POUR PLUS D'INFORMATIONS.

Dépannage

AVANT DE NOUS CONTACTER

Sauvez du temps et de l'argent! Lisez bien les trucs de dépannage plus bas avant de nous contacter et peut être qu'il ne sera pas nécessaire pour vous de nous contacter.

1. L'eau ne se réchauffe pas :

- Assurez-vous que le courant est allumé et qu'il fonctionne.
- Si la lumière ne s'allume pas, vérifiez si le bouton de réinitialisation a bien été basculé dans la position pour réinitialisation. Ce bouton est situé à l'arrière de votre chauffe-eau, dans le fond.
- Si la lumière du bouton est allumée, mais que l'eau du robinet ne se réchauffe pas, testez le croisement de tuyauterie en fermant le conduit d'eau froide du chauffe-eau et ouvrez le robinet d'eau chaude (l'eau ne devrait pas jaillir). Tout débit continu indique qu'il y a un croisement, ce qui affecte la température et cela devra être corrigé.
- Si vous n'êtes pas capable de détecter un croisement de tuyauterie avec cette méthode, il est possible que vous deviez remplacer l'élément de chauffage.

2. Le bouton d'allumage ne s'allume pas:

- Vérifiez si l'ampoule du bouton est défectueuse s'il ne s'allume pas, mais que l'eau devient quand même chaude.
- Vérifiez le bouton de réinitialisation.

3. Eau brune:

De l'eau odorante peut être causée par une réaction entre l'eau locale et l'anode du chauffe-eau. Remplacez l'anode.

4. Eau avec odeur:

Tournez la poignée de température à un réglage plus bas ou utilisez l'application pour le faire. Si la température de l'eau ne diminue pas à l'intérieur des 60 prochaines minutes, le thermostat devra alors être remplacé.

5. L'eau est trop chaude:

Turn the temperature knob to a lower temperature setting, or use the app to set the temperature to a lower setting. If the water temperature does not lower within 60 minutes, then the thermostat may need to be replaced.

6. L'eau n'est pas assez chaude:

See "Adjusting your Thermostat:" on page 16.

7. Présence de fuites d'eau:

- Débranchez le chauffe-eau de la prise de 110/120 v.
- Vérifiez et resserrez tout conduit d'eau ou la vanne t&p située sur le dessus de l'appareil, au besoin.
- Retirez le couvercle et inspectez le joint de l'élément chauffant pour vérifier s'il est relâché ou endommagé.

Troubleshooting

Codes d'erreur sur le panneau du devant et dans l'application

Votre mini réservoir Maison Intelligente Eccotemp peut signaler deux types d'erreurs. Si vous utilisez l'application, vous recevrez les explications pour déterminer comment vous pouvez interagir avec votre chauffe-eau pour diagnostiquer et résoudre les problèmes. Vous pouvez aussi regarder le bouton d'alimentation et il clignotera selon une séquence précise qui vous informera de l'erreur reportée.

Code D'erreur 1:

Mauvais Fonctionnement Du Thermostat

Le bouton d'alimentation clignotera en bleu une (1) fois à toutes les trois (3) secondes jusqu'à ce que le problème soit résolu lorsque le mini signale un code d'erreur 1.

Vous devez contacter le service à la clientèle si vous avez un code d'erreur 1.

Code D'erreur 2:

Augmentation rapide de la température

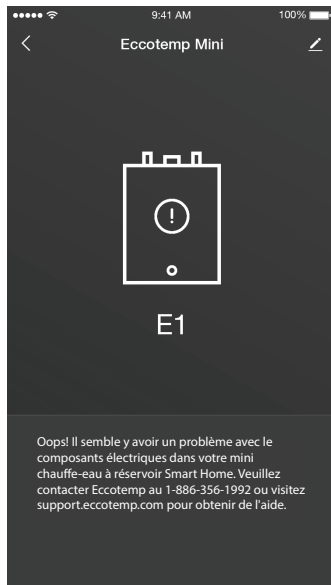
Lorsque le mini signale un code d'erreur 2, le bouton d'alimentation clignotera en bleu deux (2) fois et s'arrêtera ensuite pendant trois (3) secondes, et cela se répétera jusqu'à ce que le problème soit résolu.

Une augmentation de température rapide est habituellement observée si le mini n'est pas complètement rempli d'eau. Débranchez l'appareil, remplissez-le d'eau et rebranchez-le pour corriger ce problème.

Si le code d'erreur 2 n'est toujours pas résolu, vous devez alors contacter le service à la clientèle pour de l'aide supplémentaire.

Pas de Courant:

Vérifiez le bouton de réinitialisation situé à l'arrière de l'appareil pour être certain que ce dernier est bien incliné dans la position adéquate si votre chauffe-eau ne semble pas avoir de courant et ce, même s'il est bien branché. Si c'est le cas, vous devez contacter le service à la clientèle pour de l'aide supplémentaire.



Connectivité du WIFI:

Vous observerez le bouton d'alimentation à l'avant du chauffe-eau clignoter jusqu'à 60 secondes pendant le branchement lorsque votre appareil est déjà relié au réseau WIFI. S'il est incapable de se brancher durant ce laps de temps, il essaiera de le faire régulièrement pendant une période de 15 minutes.

Votre chauffe-eau réglera automatiquement la température à celle par défaut de 48° Celsius si l'appareil est incapable de se brancher au WIFI. Votre application vous confirmera s'il a pu se brancher avec succès.

VEUILLEZ NOTER: LES MINI RÉSERVOIRS SONT UNIQUEMENT POUR DES INSTALLATIONS PERMANENTES INTÉRIEURES. AVANT D'ALLUMER LE CHAUFFE-EAU, ASSUREZ-VOUS QUE LE SYSTÈME EST COMPLÈTEMENT REMPLI D'EAU ET QUE TOUT L'AIR EST ÉLIMINÉ. CE MANUEL ET TOUT LE CONTENU ECCOTEMP PEUVENT CHANGER SANS PRÉAVIS. VEUILLEZ VISITER SUPPORT.ECCOTEMP.COM POUR PLUS D'INFORMATIONS.

ECCOTEMP SYSTEMS, LLC WARRANTY INFORMATION SUR GARANTIE LIMITÉE

MODÈLE(S) : ESH-2.5, ESH-4.0

Eccotemp garantit par la présente que ce produit est exempt de tout défaut au niveau des matériaux ou de sa fabrication lorsqu'il est installé ou utilisé, conformément aux instructions d'installation et d'utilisation d'Eccotemp. Cette garantie limitée s'applique à l'acheteur d'origine et aux propriétaires ultérieurs, mais uniquement tant que le produit reste sur le site de son installation d'origine. Cette garantie limitée prend fin s'il est déplacé ou réinstallé à un nouvel emplacement. Il n'y a aucune garantie expresse ou implicite, faite ou donnée, autre que celle contenue dans cette garantie limitée. Aucun agent, employé ou représentant d'Eccotemp n'a le pouvoir de relier Eccotemp à toute autre représentation ou garantie concernant le produit qui n'est pas décrite dans cette garantie limitée. Eccotemp se réserve le droit et à l'autorité de changer, modifier ou transformer cette garantie en tout temps.

Sauf indication expresse dans les présentes, IL N'EXISTE AUCUNE REPRÉSENTATION OU GARANTIE, EXPRESSE OU IMPLICITE, INCLUANT, SANS S'Y LIMITER, LA VALEUR COMMERCIALE OU UNE CONFORMITÉ À UN USAGE PARTICULIER EN CE QUI CONCERNE TOUT BIEN VENDU ICI. LE RECOURS EXCLUSIF DE L'ACHETEUR SE LIMITE À LA RÉPARATION OU AU REMPLACEMENT DU BIEN VENDU, À LA DISCRÉTION D'ECCOTEMP. ECCOTEMP NE SAURAIT ÊTRE TENU RESPONSABLE DES DOMMAGES INDIRECTS OU CONSÉQUENTS.

Période De Garantie Limitée

Cette garantie est offerte par Eccotemp à l'acheteur d'origine. Cette garantie prend effet à la date d'installation du produit ou 30 jours après la date d'achat, selon la première éventualité, et est en vigueur jusqu'à l'anniversaire spécifique de ces données, comme indiqué ci-après:

Période de Couverture

5 ans limitée pour les fuites

2 ans pour les défauts

30 jours pour les accessoires gratuits (accessoires, ensemble des pièces, etc.)

Les garanties sont annulées si l'appareil est utilisé dans une boucle de circulation d'eau chaude, en série avec un autre système de circulation ou lorsqu'un système de recirculation sur demande n'est pas intégré. La série de mini réservoirs EM est approuvée pour une utilisation commerciale.

Eccotemp fournira une série de pièces par incident (approuvé par l'équipe d'assistance Eccotemp) sous la garantie avant de demander l'expédition de tout article à notre entrepôt pour réparation ou inspection.

Pour Les Clients Avec Une Garantie Habitation

Il arrive très souvent que votre garantie habitation vous aide à couvrir certains frais reliés à vos électroménagers, par exemple votre chauffe-eau. Vérifiez bien votre garantie pour toute assistance avant de contacter Eccotemp.

Coûts Reliés À La Livraison:

COMMANDES AUX ÉTATS-UNIS

Dans les 45 premiers jours suivant l'achat, Eccotemp couvrira tous les frais d'expédition de transport terrestre pour les problèmes liés à la garantie, à l'exception de l'Alaska et d'Hawaï et de tout emplacement en dehors des États-Unis continentaux. Après les 45 premiers jours d'achat, le client est responsable de tous les envois à Eccotemp, quelles qu'en soient la raison ou les circonstances. Eccotemp couvrira les frais d'expédition liés à la garantie lors du retour d'un produit à un client après réparation OU L'inspection. La méthode d'expédition liée à la garantie sera équivalente en transport terrestre avec le fournisseur de choix d'Eccotemp.

COMMANDES AU CANADA

Dans les 45 premiers jours suivant l'achat, Eccotemp couvrira tous les frais d'expédition de transport terrestre pour les problèmes liés à la garantie. Après les 45 premiers jours d'achat, le client est responsable de toutes les expéditions vers Eccotemp, quelles qu'en soient la raison ou les circonstances. Eccotemp prendra en charge les frais d'expédition liés à la garantie lors du retour d'un produit à un client. La méthode d'expédition sous garantie sera équivalente en transport terrestre avec le choix du fournisseur d'Eccotemp.

Tous les envois pour tout type de produit venant à Eccotemp pour quelque raison que ce soit doivent avoir un numéro RGA pour toute réparation à effectuer. Veuillez contacter Eccotemp afin d'obtenir un numéro RGA avant d'envoyer toute pièce à Eccotemp. Ne pas le faire pourrait entraîner la perte du produit. Eccotemp ne sera pas responsable du remplacement en cas de perte ou de dommage si ces étapes n'ont pas été correctement suivies.

É.-U.

Eccotemp Systems/Service des retours
315-A, route Industrielle
Summerville, SC 29483

CANADA

Eccotemp Systems/Service des retours
CO Eccotemp Canada
Logistiques Ottawa
1270, place Humber Ottawa, Ontario K1B 3W3

VEUILLEZ NOTER: LES MINI RÉSERVOIRS SONT UNIQUEMENT POUR DES INSTALLATIONS PERMANENTES INTÉRIEURES. AVANT D'ALLUMER LE CHAUFFE-EAU, ASSUREZ-VOUS QUE LE SYSTÈME EST COMPLÈTEMENT REMPLI D'EAU ET QUE TOUT L'AIR EST ÉLIMINÉ. CE MANUEL ET TOUT LE CONTENU ECCOTEMP PEUVENT CHANGER SANS PRÉAVIS. VEUILLEZ VISITER SUPPORT.ECCOTEMP.COM POUR PLUS D'INFORMATIONS.

Exclusions

Référez-vous au Manuel d'installation et au Manuel d'utilisation et d'entretien fournis avec votre nouveau produit d'Eccotemp Systems. Cette garantie limitée est annulée s'il est déterminé que l'un des facteurs suivants a contribué à la défaillance du produit :

1. Abus, modification, négligence ou mauvaise utilisation.
2. Entretien inadéquat, incorrect ou avec des processus destructifs ou dangereux.
3. Dommages causés par un entretien exécutés par des représentants autres que Eccotemp Systems.
4. Installation dans un environnement corrosif ou toxique.
5. Dommage causé par du gel dans l'appareil ou autour des conduits.
6. Accumulation de calcaire.
7. Pression de l'eau ou de gaz inadéquat.
8. Actes de force majeure.
9. Dommages causés par une utilisation avec de l'eau de puits non potable, non traitée, ou inadéquatement traitée ou encore avec un niveau de ph ou de calcaire très élevé excédant 12 grains par gallon (200 mg/l).
10. Calibrage inadéquat pour l'utilisation.
11. Produits dont les numéros de série originaux ont été retirés, modifiés ou ne pouvant pas être lus.
12. Actes de forces majeures incluant, mais sans s'y limiter un feu, une inondation ou un désastre naturel.

Ce produit ne doit pas être utilisé comme chauffe-eau pour piscine ou spa.

En cas de défectuosité, de défaillance ou de défaut de conformité reconnu par Eccotemp Systems et basée sur l'approbation de la réclamation de la garantie, Eccotemp Systems, à sa seule et absolue discrétion, réglera la réclamation en garantie de ces défectuosité, défaillance ou défaut de conformité à cette garantie. Afin de faire une réclamation en vertu de cette garantie, le propriétaire doit informer Eccotemp de la non-conformité du produit à cette garantie.

En vertu de cette garantie, Eccotemp Systems fournira uniquement des pièces de rechange comme décrit dans la « période de garantie limitée ». Le propriétaire de l'appareil sera responsable de tous les coûts occasionnés, incluant les coûts de main-d'œuvre pour l'entretien, l'expédition, la livraison et la manutention de la pièce de rechange, le coût des permis ou des matériaux nécessaires à la réparation, ou les coûts indirects résultant de dommages extérieurs de l'appareil en raison de la défaillance.

NONOBTANT TOUTE DISPOSITION CONTRAIRE DANS CETTE GARANTIE, À L'EXCEPTION DES DE CERTAINES OBLIGATIONS CONCRÈTES D'ECCOTEMP SYSTEMS EXPRESSÉMENT DÉFINIES DANS LA PRÉSENTE GARANTIE, ECCOTEMP SYSTEMS DÉCLINE TOUTE GARANTIE, EXPRESSE OU IMPLICITE, QUANT AU FONCTIONNEMENT, À LA PERFORMANCE, À L'UTILISATION, À LA VALEUR COMMERCIALE, À L'ADAPTATION POUR UN USAGE PARTICULIER OU DES DROITS DE PROPRIÉTÉ INTELLECTUELLE. ECCOTEMP SYSTEMS DÉCLINE TOUTE AUTRE OBLIGATION OU RESPONSABILITÉ DE SA PART ET N'ASSUME NI N'AUTORISE AUCUNE AUTRE PERSONNE À ASSUMER POUR ECCOTEMP SYSTEMS TOUTE AUTRE RESPONSABILITÉ EN LIEN AVEC LA PERFORMANCE DU PRODUIT. CETTE GARANTIE NE COUVRE QUE LES PIÈCES DE REMPLACEMENT ET NE COUVRE PAS LE COÛT DU TRAVAIL OU DE L'ENTRETIEN EN AUCUNE CIRCONSTANCE.

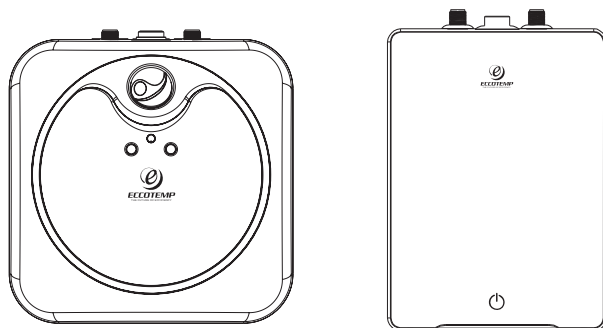
Cette garantie ne s'applique qu'aux 50 états des États-Unis et aux provinces et territoires du Canada. Eccotemp Systems ne sera pas responsable de toute réclamation ou demande contre Eccotemp Systems par toute autre partie pour des dommages de toute nature, y compris, mais sans s'y limiter, les dommages accidentels et consécutifs, découlant du contenu de la présente entente. Certains états n'autorisent pas l'exclusion ou la limitation des dommages accidentels ou consécutifs, de sorte que la limitation ou l'exclusion ci-dessus peut ne pas s'appliquer à vous. Cette garantie vous confère des droits légaux spécifiques. Vous pouvez également avoir d'autres droits variant d'un état à l'autre.

Veillez prendre note : cette garantie et tout le contenu d'Eccotemp est sujet à des changements. Référez-vous à cette garantie pour la dernière version. Pour toute question, écrivez à notre équipe de soutien à support@eccotemp.com.

VEUILLEZ NOTER: LES MINI RÉSERVOIRS SONT UNIQUEMENT POUR DES INSTALLATIONS PERMANENTES INTÉRIEURES. AVANT D'ALLUMER LE CHAUFFE-EAU, ASSUREZ-VOUS QUE LE SYSTÈME EST COMPLÈTEMENT REMPLI D'EAU ET QUE TOUT L'AIR EST ÉLIMINÉ. CE MANUEL ET TOUT LE CONTENU ECCOTEMP PEUVENT CHANGER SANS PRÉAVIS. VEUILLEZ VISITER SUPPORT.ECCOTEMP.COM POUR PLUS D'INFORMATIONS.

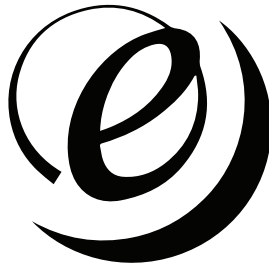
Comparaison de Produits

Si vous aimez notre chauffe-eau avec mini réservoir MAISONINTELLIGENTE, vous aimerez aussi notre série mini réservoir EM! Vous trouverez plus d'informations à propos de ces mini réservoirs, mais aussi à propos des chauffe-eau sans réservoir miniature d'Eccotemp à www.Eccotemp.com.



	Série Mini Réservoir EM	ESH Series Mini Tank
INSTALLATION	POUR INTÉRIEUR SEULEMENT	POUR INTÉRIEUR SEULEMENT
Volume Du Réservoir	Modèles De 2,5 Gallons, 4 Gallons Et 7 Gallons	Modèles De 2,5 Gallons Et 4 Gallons
Tension	110/120	110/120
Ampères	12	12
Phase	Unique	Unique
Températures	10-60 F	10-60 F
Capacité de Chauffage	1400 Watts	1440 Watts
Pression D'utilisation Max.	150 psi	150 psi
Raccords	Branchements NPT 1/2	Branchements NPT 1/2
Garantie	5 Ans Limitée Pour Les Fuites 2 Ans Pour Les Défauts	5 Ans Limitée Pour Les Fuites 2 Ans Pour Les Défauts
Boîtier Extérieur	Plastique	Verre Trempé/Plastique
Mode Manuel	✓	✓
Maison Intelligente	✗	✓
Application Mobile	✗	✓
Commandes Vocales	✗	✓
Marche/Arrêt intelligent	✗	✓
Détection Avancée Pour Erreurs	✗	✓
Utilisations Suggérées	Bateaux, caravanes, mini maisons, chariots de service, motorisés, sous le lavabo, bureaux, chalets, cuisines, pièces de rangement, appartements, camions alimentaires	Bateaux, caravanes, mini maisons, chariots de service, motorisés, sous le lavabo, bureaux, chalets, cuisines, pièces de rangement, appartements, camions alimentaires

VEUILLEZ NOTER: LES MINI RÉSERVOIRS SONT UNIQUEMENT POUR DES INSTALLATIONS PERMANENTES INTÉRIEURES. AVANT D'ALLUMER LE CHAUFFE-EAU, ASSUREZ-VOUS QUE LE SYSTÈME EST COMPLÈTEMENT REMPLI D'EAU ET QUE TOUT L'AIR EST ÉLIMINÉ. CE MANUEL ET TOUT LE CONTENU ECCOTEMP PEUVENT CHANGER SANS PRÉAVIS. VEUILLEZ VISITER SUPPORT.ECCOTEMP.COM POUR PLUS D'INFORMATIONS.



ECCOTEMP
THE FUTURE OF EFFICIENCY

315-A INDUSTRIAL ROAD, SUMMERVILLE, SC 29483 | 1-866-356-1992

© Eccotemp 2020 All Rights Reserved | Printing Version 2.0

