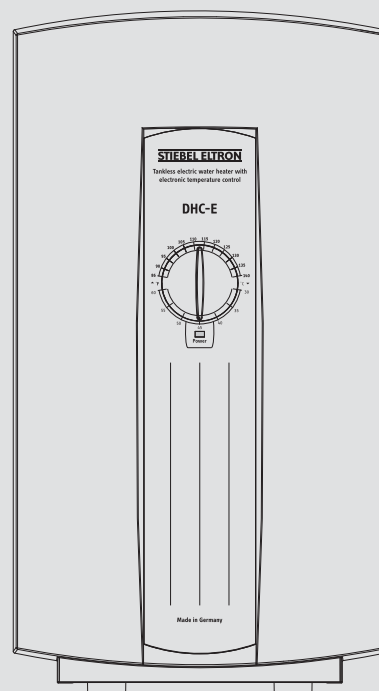


# OPERATION AND INSTALLATION OPERACIÓN E INSTALACIÓN UTILISATION ET INSTALLATION

ELECTRONICALLY CONTROLLED INSTANTANEOUS WATER HEATER | CALENTADOR INSTANTÁNEO  
CON CONTROLADO ELECTRÓNICA | CHAUFFE-EAU INSTANTANÉ À GESTION ÉLECTRONIQUE

- » DHC-E 8/10
- » DHC-E 12



The DHC-E series is tested and certified by WQA against NSF/ANSI 372 for lead free compliance.

**STIEBEL ELTRON, Inc.**

17 West Street | West Hatfield, MA 01088

Tel. 413-247-3380 | Fax 413-247-3369

Email [info@stiebel-eltron-usa.com](mailto:info@stiebel-eltron-usa.com)

[www.stiebel-eltron-usa.com](http://www.stiebel-eltron-usa.com)

**STIEBEL ELTRON**

**OPERATION**

1. **General information** \_\_\_\_\_ 2  
 1.1 Safety information \_\_\_\_\_ 2  
 1.2 Other symbols in this document \_\_\_\_\_ 3  
 2. **Safety** \_\_\_\_\_ 3  
 2.1 Intended use \_\_\_\_\_ 3  
 2.2 General Information \_\_\_\_\_ 3  
 2.3 Safety Precautions \_\_\_\_\_ 3  
 2.4 Test symbols \_\_\_\_\_ 3  
 3. **General** \_\_\_\_\_ 4  
 4. **Troubleshooting** \_\_\_\_\_ 4

**INSTALLATION**

5. **Mounting the appliance** \_\_\_\_\_ 5  
 5.1 Application \_\_\_\_\_ 5  
 5.2 Mounting \_\_\_\_\_ 5  
 5.3 Water connections \_\_\_\_\_ 5  
 6. **Electrical connection** \_\_\_\_\_ 6  
 6.1 DHC-E 8/10 - Appliance with output power options \_\_\_\_\_ 6  
 6.2 Temperature setting/anti-scalding protection \_\_\_\_\_ 7  
 7. **Commissioning** \_\_\_\_\_ 7  
 7.1 Appliance handover \_\_\_\_\_ 7  
 8. **Troubleshooting** \_\_\_\_\_ 7  
 8.1 Display options LED diagnostic „traffic lights“ \_\_\_\_\_ 7  
 8.2 Fault table \_\_\_\_\_ 7  
 9. **Normal maintenance** \_\_\_\_\_ 7  
 10. **Technical Data** \_\_\_\_\_ 8  
 10.1 Dimensioned drawing \_\_\_\_\_ 8  
 10.2 Wiring diagram \_\_\_\_\_ 8  
 10.3 Maximum temperature increase above ambient water temperature \_\_\_\_\_ 9  
 10.4 Data table \_\_\_\_\_ 10  
 11. **Spare parts** \_\_\_\_\_ 10

**WARRANTY | ENVIRONMENT AND RECYCLING**

# OPERATION

## 1. General information



**Note**

Read these instructions carefully before using the appliance and familiarize yourself with its functions. Keep these instructions safe. Pass on the instructions to a new user if required.

### 1.1 Safety information

#### 1.1.1 Structure of safety information



**KEYWORD Type of risk**

Here, possible consequences are listed that may result from not observing the safety information.

► Steps to prevent the risk are listed.

#### 1.1.2 Symbols. type of risk

Symbol	Type of risk
	Injury
	Electrocution
	Burns or scalding

#### 1.1.3 Keywords

KEYWORD	Description
DANGER	If this information is not observed, it will result in serious injury or death.
WARNING	If this information is not observed, it can result in serious injury or death.
CAUTION	If this information is not observed, it can lead to medium or minor injury.

# OPERATION

## SAFETY

### 1.2 Other symbols in this document



#### Note

Notes are bordered by horizontal lines above and below the text. General information is identified by the symbol shown on the left.

► Read these notes carefully.

Symbol	
	Damage to the appliance and environment
	Appliance disposal

► This symbol indicates that you have to do something. The action you need to take is described step by step.

## 2. Safety

Observe the following safety information and regulations.

Operate the appliance only when fully installed and with all safety equipment fitted.

### 2.1 Intended use

The appliance is intended for heating domestic hot water and can supply several draw-off points.

Any other use beyond that described shall be deemed inappropriate.

Observation of these instructions is also part of the correct use of this appliance.

### 2.2 General Information

Read this entire manual. Failure to follow all the guides, instructions and rules could cause personal injury or property damage. Improper installation, adjustment, alteration, service and use of this appliance can result in serious injury.

This appliance must be installed by a licensed electrician and plumber. The installation must comply with all national, state and local plumbing and electric codes. Proper installation is the responsibility of the installer. Failure to comply with the installation and operating instructions or improper use voids the warranty.

Save these instructions for future reference. Installer should leave these instructions with the consumer.

If you have any questions regarding the installation, use or operation of this water heater, or if you need any additional installation manuals, please call our technical service line, see last side.

### 2.3 Safety Precautions



#### DANGER Injury

Please read and follow these instructions.

Failure to follow these instructions could result in serious personal injury or death.



#### Damage to the appliance and the environment

The appliance must be installed by a licensed electrician and plumber. The installation must comply with all national, state and local plumbing and electric codes. Service of the appliance must be performed by qualified service TECHNICIANS.



#### DANGER Electrocution

Before proceeding with any installation, adjustment, alteration, or service of this appliance all circuit breakers and disconnect switches servicing the appliance must be turned off. Failure to do so could result in serious personal injury or death.



#### DANGER Electrocution

Never remove the appliance's cover unless the electricity servicing the appliance is turned off. Failure to do so could result in personal injury or death.



#### DANGER Electrocution

The appliance must be properly grounded. Failure to electrically ground the product could result in serious personal injury or death.



#### DANGER Burns

Water temperatures over 125 °F (52 °C) can cause severe burns instantly or death from scalding. A hot water scalding potential exists if the thermostat on the appliance is set too high. Households with small children, disabled or elderly persons may require that the thermostat be set at 113 °F (45 °C) or lower to prevent possible injury from hot water.



#### WARNING Injury

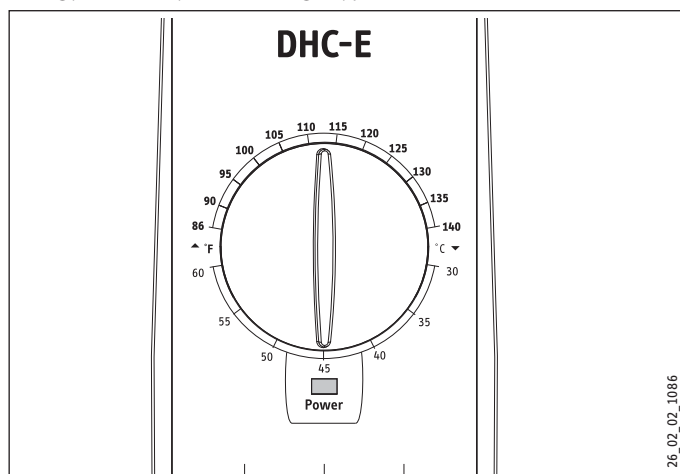
Where children or persons with limited physical, sensory or mental capabilities are to be allowed to control this appliance, ensure that this will only happen under supervision or after appropriate instructions by a person responsible for their safety. Children should be supervised to ensure that they never play with the appliance.

### 2.4 Test symbols

See type plate on the appliance.

### 3. General

The tankless water heater differs from conventional storage type water heaters in several ways. It does not store hot water. Instead, water is heated instantaneously as it flows through the appliance. Due to the absence of stand-by losses, the appliance offers greater energy efficiency than storage type water heaters.



The input of heat into the water is electronically controlled. The appliance will deliver any water temperature between 86 °F (30 °C) and 140 °F (60 °C). Please set the desired temperature using the knob on the front cover.



#### Note

For reasons of appliance efficiency and durability (scaling), the optimum temperature setting lies between 86°F (30°C) and 120°F (50°C).

In case the “Power” light is flashing while the appliance operates, the water flow rate exceeds the heating capacity of the appliance. Reduce the hot water flow rate in order to let the appliance achieve the set point temperature. The maximum temperature is electronically limited to 140 °F (60 °C). In case you have questions regarding the way you plan to use the appliance, please call our technical service line, see last side.

### 4. Troubleshooting

Symptom	Possible Cause	Solution
No hot water	not enough flow rate to activate appliance	clean faucet aerator or shower head
Water not hot enough	water flow too high	reduce water flow rate until light on front cover stops blinking

If you cannot remedy the fault, notify the contractor who installed the appliance. To facilitate and speed up your enquiry, please provide the serial number from the type plate (000000-0000-000000).

# INSTALLATION

## MOUNTING THE APPLIANCE

# INSTALLATION

## 5. Mounting the appliance

### 5.1 Application

One appliance can be used for the following applications:

- one or multiple hand washing sinks
- one kitchen sink
- cabins with flow restriction at shower head.

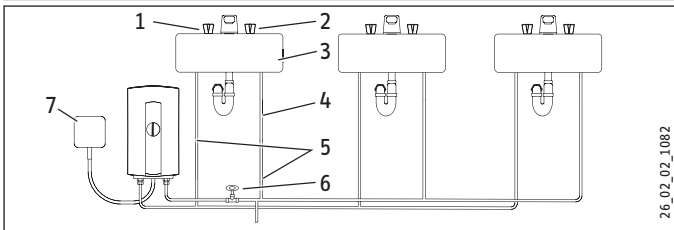
A combination of two appliance can be used for whole apartment and house applications. Please contact STIEBEL ELTRON for special installation instructions.

All areas with a ground water temperature likely to exceed 65 °F (18 °C) year round:

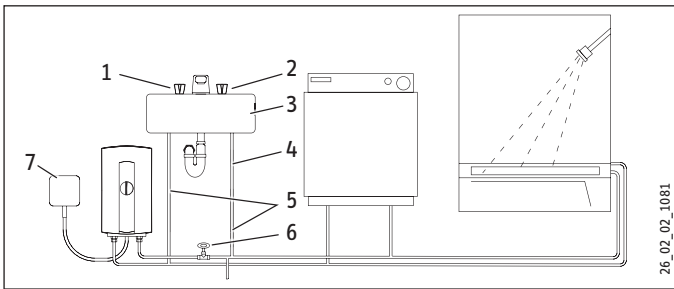
Whole apartment or house



**CAUTION Electrocutation**  
Unit must be installed in a vertical position with the water fittings pointing downward. In this position the unit is splashproof, so that no water can soak in.



26\_02\_02\_1082

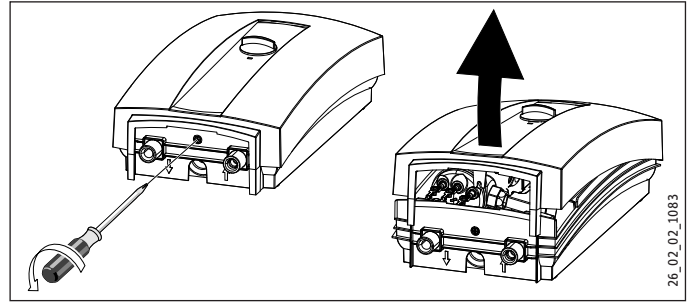


26\_02\_02\_1081

- Hot valve (left)
- Cold valve (right)
- Sink
- 1/2" main pipe
- Water supply line for faucet installation
- Shut-off valve
- Electrical junction box

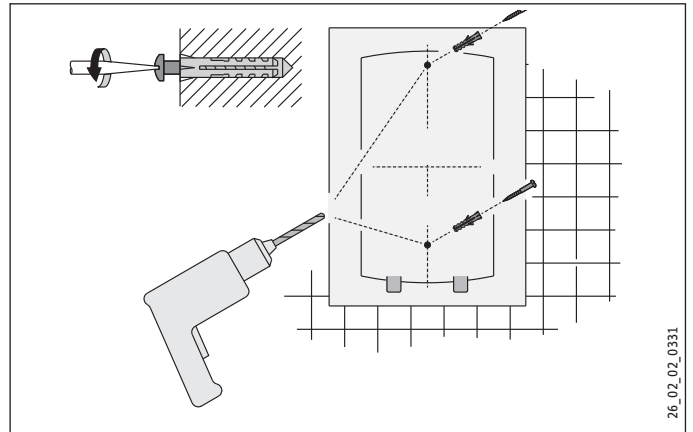
### 5.2 Mounting

- ▶ Install appliance as close as possible to the main hot water draw-off points.
- ▶ Install appliance in a frost free area. If frost may occur, remove appliance before freezing temperatures set in.
- ▶ Leave a minimum of 5" of clearance on all sides for servicing.

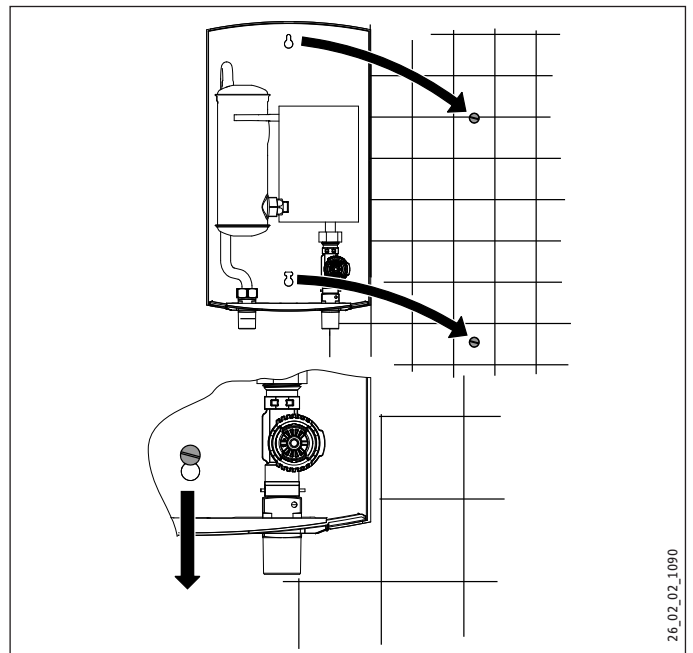


26\_02\_02\_1083

▶ Remove plastic cover.



26\_02\_02\_0331



26\_02\_02\_1090

- ▶ Screw the screws into the wall and hang the appliance. Screws and plastic wall anchors for mounting on masonry or wood are provided.
- ▶ Secure the screws.

### 5.3 Water connections



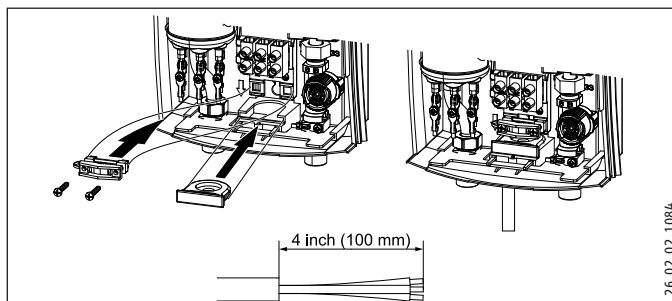
**Damage to the appliance and the environment**  
Excessive heat from soldering on copper pipes near the DHC may cause damage.

# INSTALLATION

## ELECTRICAL CONNECTION

- ▶ All plumbing work must comply with national and applicable state and local plumbing codes.
- ▶ Notice for Australia / New Zealand:  
The installation shall comply with AS/NZS 3500.4.
- ▶ A pressure reducing valve must be installed if the cold water supply pressure exceeds 150 PSI (10 bar).
- ▶ Make certain that the cold water supply line has been flushed to remove any scale and dirt.
- ▶ Install isolating valve in cold water line as shown in illustration "Mounting the appliance". This allows the appliance to be isolated for maintenance purposes.
- ▶ Cold water connection (inlet) is on the right side of the appliance, hot water connection (outlet) is on the left side of appliance.
- ▶ Tankless water heaters such as the DHC-E are not required to be equipped with a Pressure and Temperature Relief Valve (P&T). If the local inspector will not pass the installation without a P&T, it should be installed on the hot water outlet side of appliance.
- ▶ The appliance is designed for connection to copper tubing, PEX tubing or a braided stainless steel hose with a 1/2" NPT female tapered thread. If soldering near the appliance is necessary, please direct the flame away from the plastic housing of the appliance in order to avoid damage.
- ▶ When all plumbing work is completed, check for leaks and take corrective action before proceeding.

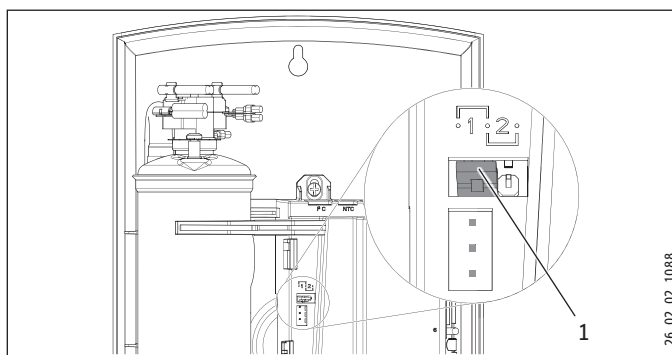
- ▶ The appliance should be connected to a properly grounded dedicated branch circuit of proper voltage rating. In installations with several appliances, each appliance requires an independent circuit. Please refer to the technical data table for the correct wire and circuit breaker size.



- ▶ The wire must be fed through the rubber seal located between the hot and cold water connections. Then feed wires through strain relief clamp and tighten clamp down on wire. The „live“ wires must be connected to the slots on the terminal block marked L and L (L and N). The ground wire must be connected to slot marked with the ground symbol. Strain relief clamp with screws and rubber seal are provided.

### 6.1 DHC-E 8/10 - Appliance with output power options

For the DHC-E 8/10 instantaneous water heater, the output power is adjustable in 2 stages. In its delivered condition the appliance is set to 7.2 kW @ 240 V.



1 coding plug

If the appliance should be installed with a different output power, take the following steps:

- ▶ Insert the coding plug to the desired performance.

Stage 1	208 V	220 V	230 V	240 V
	5,4 kW	6,0 kW	6,6 kW	7,2 kW
Stage 2	208 V	220 V	230 V	240 V
	7,2 kW	8,1 kW	8,8 kW	9,6 kW

- ▶ Mark the selected output power and voltage on the type plate with a permanent marker.

## 6. Electrical connection



**DANGER Electrocutation**  
Carry out all electrical connection and installation work in accordance with relevant regulations.



**DANGER Electrocutation**  
Only use a permanent connection to the power supply. The appliance must be able to be separated from the power supply by an isolator that disconnects all poles with at least 3 mm contact separation.



**Damage to the appliance and the environment**  
Observe the type plate. The specified voltage must match the mains voltage.

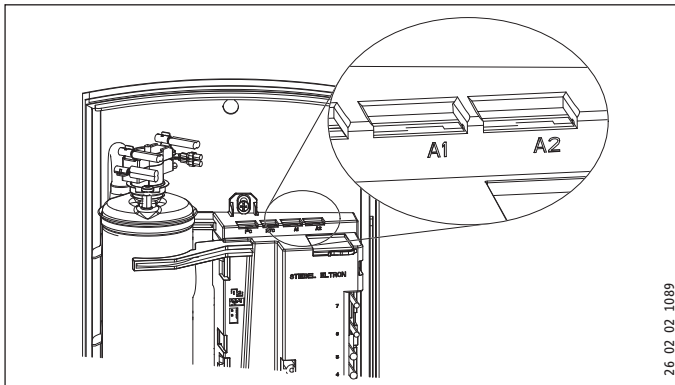


**DANGER Electrocutation**  
Before beginning any work on the electric installation, be sure that main breaker panel switch is „off“ to avoid any danger of electric shock. All mounting and plumbing must be completed before proceeding with electrical hook-up. Where required by local, state or national electrical codes the circuit should be equipped with a „ground fault interrupter“.



**DANGER Electrocutation**  
As with any electric appliance. failure to electrically ground appliance may result in serious injury or death.

## 6.2 Temperature setting/anti-scalding protection



- ▶ Connect the lead of the electronic temperature control to position „A1“ in order to get the maximum outlet temperature of 140 °F (60 °C).

**The maximum temperature can be limited to 109 °F (43 °C):**

- ▶ Connect the lead of the electronic temperature control to position „A2“.
- ▶ Reinstall the plastic cover.

## 7. Commissioning



**DANGER Electrocutation**  
Commissioning must only be carried out by an authorised contractor in accordance with safety regulations.



**Damage to the appliance and the environment**  
Open hot water faucet for a few minutes until water flow is continuous and all air is purged from water pipes. The appliance's plastic cover must be installed before the circuit breaker is turned on.

- ▶ Turn on circuit breaker to bring electrical power to the appliance.
- ▶ Turn the temperature selector clockwise and anti-clockwise, to calibrate the temperatur selector.
- ▶ Adjust the water temperature to the desired level using the knob on the front cover of the appliance.
- ▶ Turn on hot water and wait twenty seconds until temperature has stabilized.
- ▶ Check the water temperature with your hand and make sure that it does not feel too hot. Reduce temperature if this is necessary. A setting of 108 °F - 116 °F (42 - 47 °C) is recommended for most applications.
- ▶ Explain to the user how the appliance works and familiarise him or her with its use.
- ▶ Advise the user about possible hazards (hot water temperature up to 140 °F (60 °C). Hand over these instructions, to be kept for future reference.
- ▶ A setting of 108 °F - 116 °F (42 - 47 °C) is recommended for most applications.

## 7.1 Appliance handover

Explain the functions of the appliance to the user. Draw special attention to the safety information. Hand the operating and installation instructions to the user.

## 8. Troubleshooting

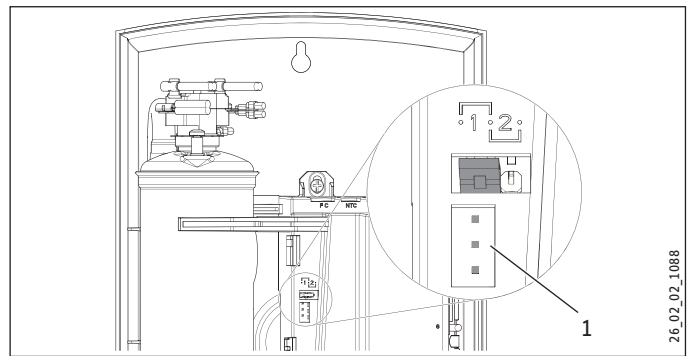


**Danger of electrocution**  
To test the appliance, it must be supplied with power.

### 8.1 Display options LED diagnostic „traffic lights“

Display options

	red	illuminates in case of faults
	yellow	illuminates when the appliance is heating water
	green	flashing: The appliance is supplied with power



1 LED diagnostic „traffic lights“

### 8.2 Fault table

Symptom	Possible Cause	Solution
No hot water	circuit breaker off	turn circuit breaker on
	safety thermal cut-out tripped	reset thermal cut-out
	not enough flow rate to activate appliance	clean filter screen at appliance clean faucet aerator or shower head
Not enough hot water	filter screen clogged	clean filter screen at appliance
Water not hot enough	water flow too high	reduce water flow rate until light on front cover stops blinking
		supply correct voltage to appliance

- ▶ If you are not able to resolve a problem please contact us, see last side, before removing the appliance from the wall. STIEBEL ELTRON is happy to provide technical assistance. In most instances, we can resolve the problem over the phone.

## 9. Normal maintenance

STIEBEL ELTRON tankless water heaters are designed for a very long service life. Actual life expectancy will vary with water quality and use. The appliance itself does not require any regular maintenance.

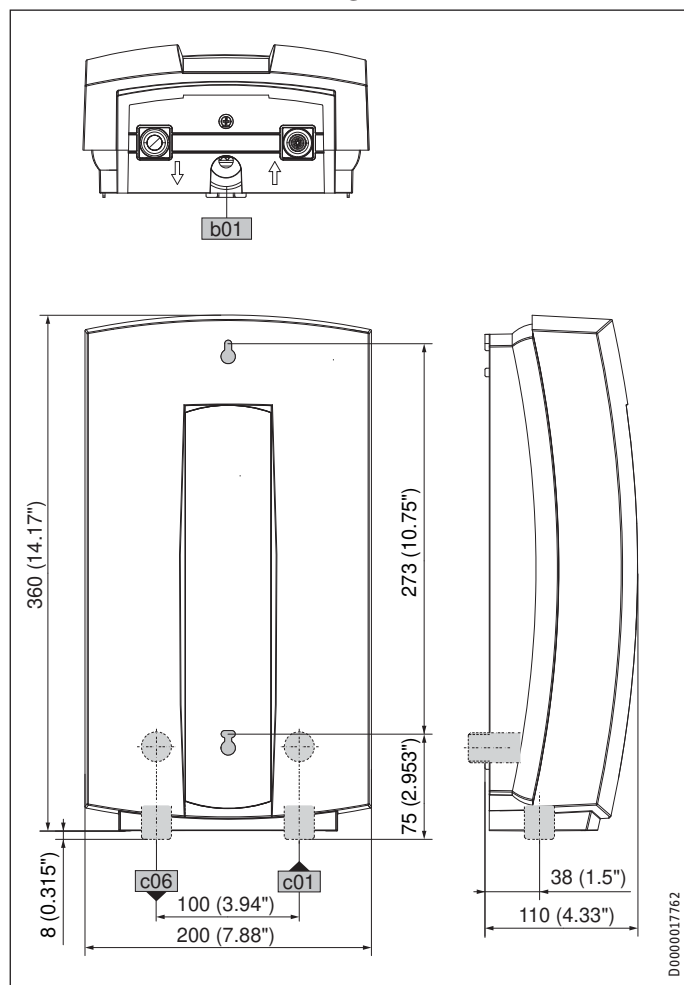
# INSTALLATION

## TECHNICAL DATA

However, to ensure consistent water flow, it is recommended to periodically remove scale and dirt that may build up at the aerator of the faucet(s), the filter screen in the appliance, or in the shower head.

### 10. Technical Data

#### 10.1 Dimensioned drawing



b01	Electrical cable entry		
c01	cold water inlet	"NPT	1/2
c06	hot water outlet	"NPT	1/2

#### 10.2 Wiring diagram

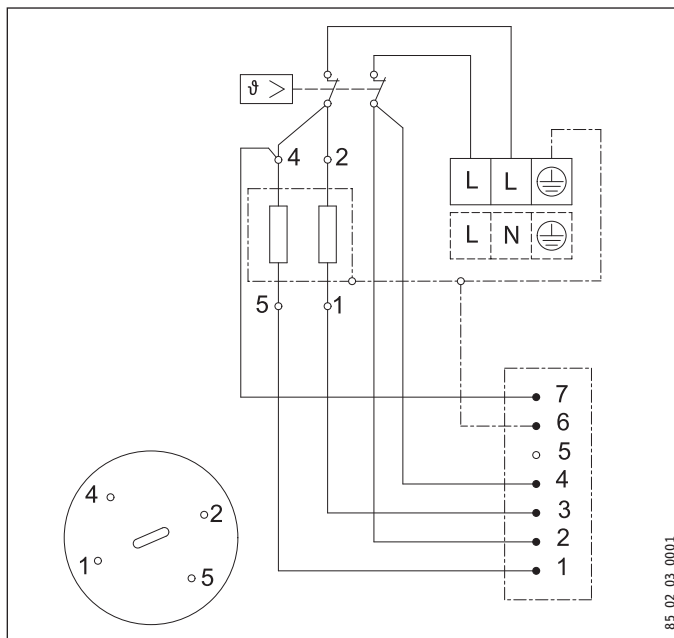
DHC-E 8/10



2/GRD ~ 208 / 240V



1/N/PE ~ 220 / 230 / 240V



85\_02\_03\_0001

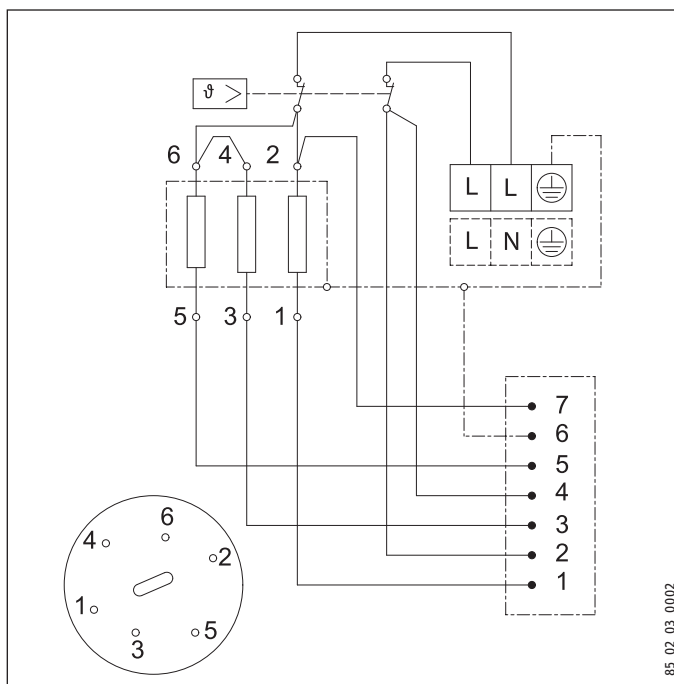
DHC-E 12



2/GRD ~ 208 / 240V



1/N/PE ~ 220 / 230 / 240V



85\_02\_03\_0002

## 10.3 Maximum temperature increase above ambient water temperature

### Warm water flow rate [ GPM ]

Warm water outlet temperature 104 °F												
Cold water inlet temperature	°F	39	50	59	68	77	86	95	104	113	122	131
DHC-E 8/10	5.4 kW @ 208 V	0.57	0.68	0.82	1.02	1.36	2.04	4.09	-	-	-	-
	7.2 kW @ 240 V	0.76	0.91	1.09	1.36	1.82	2.72	5.45	-	-	-	-
	7.2 kW @ 208 V	0.76	0.91	1.09	1.36	1.82	2.72	5.45	-	-	-	-
	9.6 kW @ 240 V	1.01	1.21	1.45	1.82	2.42	3.63	6.61	-	-	-	-
DHC-E 12	9 kW @ 208 V	0.95	1.14	1.36	1.70	2.27	3.23	6.47	-	-	-	-
	12 kW @ 240 V	1.26	1.51	1.82	2.27	3.03	4.31	6.61	-	-	-	-
Warm water outlet temperature 113 °F												
Cold water inlet temperature	°F	39	50	59	68	77	86	95	104	113	122	131
DHC-E 8/10	5.4 kW @ 208 V	0.50	0.58	0.68	0.82	1.02	1.36	2.04	4.09	-	-	-
	7.2 kW @ 240 V	0.66	0.78	0.91	1.09	1.36	1.82	2.72	5.45	-	-	-
	7.2 kW @ 208 V	0.66	0.78	0.91	1.09	1.36	1.82	2.72	5.45	-	-	-
	9.6 kW @ 240 V	0.89	1.04	1.21	1.45	1.82	2.42	3.63	6.61	-	-	-
DHC-E 12	9 kW @ 208 V	0.83	0.97	1.14	1.36	1.70	2.16	3.23	6.47	-	-	-
	12 kW @ 240 V	1.11	1.30	1.51	1.82	2.27	2.88	4.31	6.61	-	-	-
Warm water outlet temperature 140 °F												
Cold water inlet temperature	°F	39	50	59	68	77	86	95	104	113	122	131
DHC-E 8/10	5.4 kW @ 208 V	0.36	0.41	0.45	0.51	0.58	0.68	0.82	1.02	1.36	2.04	4.09
	7.2 kW @ 240 V	0.49	0.54	0.61	0.68	0.78	0.91	1.09	1.36	1.82	2.72	5.45
	7.2 kW @ 208 V	0.49	0.54	0.61	0.68	0.78	0.91	1.09	1.36	1.82	2.72	5.45
	9.6 kW @ 240 V	0.65	0.73	0.81	0.91	1.04	1.21	1.45	1.82	2.42	3.63	6.61
DHC-E 12	9 kW @ 208 V	0.61	0.68	0.76	0.85	0.97	1.08	1.29	1.62	2.16	3.23	6.47
	12 kW @ 240 V	0.81	0.91	1.01	1.14	1.30	1.44	1.73	2.16	2.88	4.31	6.61

### Warm water flow rate [ l/min ]

Warm water outlet temperature 40 °C												
Cold water inlet temperature	°C	4	10	15	20	25	30	35	40	45	50	55
DHC-E 8/10	5.4 kW @ 208 V	2.15	2.58	3.09	3.87	5.16	7.73	15.47	-	-	-	-
	7.2 kW @ 240 V	2.86	3.44	4.12	5.16	6.87	10.31	20.62	-	-	-	-
	7.2 kW @ 208 V	2.86	3.44	4.12	5.16	6.87	10.31	20.62	-	-	-	-
	9.6 kW @ 240 V	3.82	4.58	5.50	6.87	9.16	13.75	25.00	-	-	-	-
DHC-E 12	9 kW @ 208 V	3.58	4.30	5.16	6.44	8.59	12.24	24.49	-	-	-	-
	12 kW @ 240 V	4.77	5.73	6.87	8.59	11.46	16.32	25.00	-	-	-	-
Warm water outlet temperature 45 °C												
Cold water inlet temperature	°C	4	10	15	20	25	30	35	40	45	50	55
DHC-E 8/10	5.4 kW @ 208 V	1.89	2.21	2.58	3.09	3.87	5.16	7.73	15.47	-	-	-
	7.2 kW @ 240 V	2.51	2.95	3.44	4.12	5.16	6.87	10.31	20.62	-	-	-
	7.2 kW @ 208 V	2.51	2.95	3.44	4.12	5.16	6.87	10.31	20.62	-	-	-
	9.6 kW @ 240 V	3.35	3.93	4.58	5.50	6.87	9.16	13.75	25.00	-	-	-
DHC-E 12	9 kW @ 208 V	3.14	3.68	4.30	5.16	6.44	8.16	12.24	24.49	-	-	-
	12 kW @ 240 V	4.19	4.91	5.73	6.87	8.59	10.88	16.32	25.00	-	-	-
Warm water outlet temperature 60 °C												
Cold water inlet temperature	°C	4	10	15	20	25	30	35	40	45	50	55
DHC-E 8/10	5.4 kW @ 208 V	1.38	1.55	1.72	1.93	2.21	2.58	3.09	3.87	5.16	7.73	15.47
	7.2 kW @ 240 V	1.84	2.06	2.29	2.58	2.95	3.44	4.12	5.16	6.87	10.31	20.62
	7.2 kW @ 208 V	1.84	2.06	2.29	2.58	2.95	3.44	4.12	5.16	6.87	10.31	20.62
	9.6 kW @ 240 V	2.45	2.75	3.05	3.44	3.93	4.58	5.50	6.87	9.16	13.75	25.00
DHC-E 12	9 kW @ 208 V	2.30	2.58	2.86	3.22	3.68	4.08	4.90	6.12	8.16	12.24	24.49
	12 kW @ 240 V	3.07	3.44	3.82	4.30	4.91	5.44	6.53	8.16	10.88	16.32	25.00

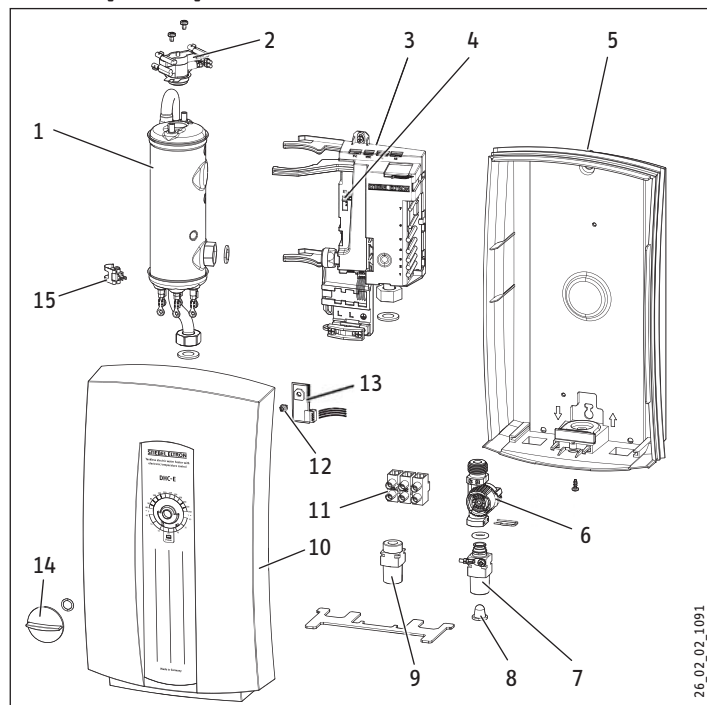
# INSTALLATION SPARE PARTS

## 10.4 Data table

		DHC-E 8/10								DHC-E 12			
Part number		224201								230628			
Phase		1	1	1	1	1	1	1	1	1	1	1	1
Voltage	V	208	220	230	240	208	220	230	240	208	220	230	240
Frequency	Hz	50 / 60	50 / 60	50 / 60	50 / 60	50 / 60	50 / 60	50 / 60	50 / 60	50 / 60	50 / 60	50 / 60	50 / 60
Coding plug	Position	1	1	1	1	2	2	2	2	-	-	-	-
Output power	kW	5.4	6.0	6.6	7.2	7.2	8.1	8.8	9.6	9	10	11	12
Ampere	A	28	30	31	32	35	37	39	40	44	46	48	50
Min. required circuit breaker size	A	30	40	40	40	50	50	50	50	60	60	60	60
Rocommended wire size	AWG COPPER	10	-	-	8	8	-	-	8	6	-	-	6
Rocommended wire size	mm <sup>2</sup> COPPER	-	6	6	-	-	10	10	-	-	10	10	-
Protection level according to		IP 24								IP 24			
Min. water flow to activate appliance	GPM / l/min	0.37 / 1.4								0.37 / 1.4			
Nominal water volume	GAL / l	0.13 / 0.5								0.13 / 0.5			
Working pressure max.	PSI / bar / MPa	150 / 10 / 1								150 / 10 / 1			
Tested to pressure	PSI / bar / MPa	300 / 20 / 2								300 / 20 / 2			
Weight	lbs. / kg	5.9 / 2.7								5.9 / 2.7			
Water connections	" NPT	1/2								1/2			

- ▶ Suitable for supply with up to 131 °F / 55 °C
- ▶ Tankless water heaters are considered a non-continuous load
- ▶ Conductors should be sized to maintain a voltage drop of less than 3 % under load

## 11. Spare parts



No.	No. Spare part	DHC-E 8/10	DHC-E 12
1	Heating system	292575	292576
2	Safety thermal cut out	286369	286369
3	Electronic control appliance	291851	291852
4	Coding plug	283455	---
5	Back panel	292578	292578
6	Flow sensor DFE	286461	286461
7	Cold water connection	291699	291699
8	Filter screen	252430	252430
9	Hot water connection	278634	278634
10	Plastic cover	292577	292577
11	Wiring block	279998	279998
12	Axis connection plug	254312	254312
13	Electronic temperature control	286359	286359
14	Temperature adjustment knob	254307	254307
15	Outlet temperature sensor	280677	280677

26\_02\_1091

## 12. Warranty

Residential & commercial warranty: Stiebel Eltron, Inc. warrants to the original owner that the DHC-E tankless electric water heater will be free from defects in workmanship and materials for a period of three (3) years from the date of purchase, and free from leakage for a period of seven (7) years from the date of purchase. Should the part(s) prove to be defective under normal use during this period, Stiebel Eltron, Inc. will be responsible for replacement of the defective part(s) only. Stiebel Eltron, Inc. is not responsible for labor charges to remove and/or replace the defective part(s), or any incidental or consequential expenses.

Should the owner wish to return the tankless electric water heater for repair, the owner must first secure written authorization from Stiebel Eltron, Inc. The owner shall be required to show proof of purchase date, and to pay all transportation costs to return the defective part(s) or tankless electric water heater for repair or replacement. Warranty is void if water heater has been installed or used improperly or if design has been altered in any way.

Make any warranty claim in the country where you purchased the appliance. In such cases, please contact our representation or the importer.

Our warranty applies only if:

- These installation instructions have been observed
- Exclusively accessories designated for this appliance have been used
- All required steps up to and including commissioning have been carried out by a qualified contractor
- Maintenance as specified has been carried out
- Exclusively our spare parts have been used for repairs

### Environment and recycling

Please help us protect the environment. Dispose of the appliance and its packaging in accordance with national regulations.



**OPERACIÓN**

<b>1. Indicaciones generales</b>	<b>12</b>
1.1 Indicaciones para el cableado:	12
1.2 Otras marcas presentes en este documento	13
<b>2. Seguridad</b>	<b>13</b>
2.1 Uso previsto	13
2.2 Información general	13
2.3 Medidas de seguridad	13
2.4 Sello de certificación	13
<b>3. Descripción del equipo</b>	<b>14</b>
<b>4. Solución de problemas</b>	<b>14</b>

**INSTALACIÓN**

<b>5. Descripción del equipo</b>	<b>15</b>
<b>6. Montaje</b>	<b>15</b>
6.1 Conexión de agua	16
6.2 Conexión eléctrica	16
6.3 Ajuste de temperatura/protección antiescaldamiento	17
<b>7. Puesta en marcha</b>	<b>17</b>
<b>8. Localización y reparación de fallos</b>	<b>17</b>
8.1 Posibilidades de indicación de los LED de diagnóstico	17
8.2 Tabla de averías	17
<b>9. Mantenimiento</b>	<b>18</b>
<b>10. Especificaciones técnicas</b>	<b>18</b>
10.1 Plano dimensional	18
10.2 Diagrama eléctrico	18
10.3 Posibles caudales para distintas temperaturas de entrada y de salida	19
10.4 Tabla de especificaciones	20
<b>11. Piezas de recambio</b>	<b>20</b>

**GARANTÍA | MEDIO AMBIENTE Y RECICLAJE**

# OPERACIÓN

## 1. Indicaciones generales



**Indicación**

Lea atentamente estas instrucciones antes de utilizar el aparato y familiarícese con sus funciones. Conserve este manual en un lugar seguro. Si entregara este aparato a otros usuarios no olvide incluir el manual.

### 1.1 Indicaciones para el cableado:

#### 1.1.1 Estructura de las indicaciones de seguridad



**ADVERTENCIA de tipo de peligro**  
Aquí aparecen las posibles consecuencias del desobedecimiento de las indicaciones de seguridad.  
► Se indican las medidas necesarias para evitar estos peligros.

#### 1.1.2 Símbolos, tipo de peligro

Símbolo	Tipo de peligro
	Lesión
	Electrocución
	Quemadura o escaldamiento

#### 1.1.3 Palabras clave

PALABRA CLAVE	Descripción
PELIGRO	El desobedecimiento de esta información conlleva graves lesiones o la muerte
ADVERTENCIA	El desobedecimiento de esta información puede conllevar graves lesiones o la muerte
ATENCIÓN	El desobedecimiento de esta información puede conllevar lesiones de mediana gravedad o lesiones leves

## 1.2 Otras marcas presentes en este documento



### Indicación

La indicación está limitada por líneas horizontales sobre y bajo el texto. La información general se señala mediante el símbolo que se muestra a la izquierda.

- Lea atentamente las indicaciones.

Símbolo	
	Daños en el aparato y al medio ambiente
	Eliminación del aparato

- Este símbolo indica que debe usted hacer algo. Lo que debe hacer se describe en pasos individuales.

## 2. Seguridad

Observe las siguientes indicaciones y normas de seguridad.

El equipo sólo debe utilizarse después de haber sido instalado completamente y con todos los dispositivos de seguridad.

### 2.1 Uso previsto

El aparato está previsto para el calentamiento del agua potable y puede abastecer varios puntos de extracción.

El uso fuera de las especificaciones descritas se considera indebido.

Además, el obediencia de las presentes instrucciones forma parte del uso previsto de este aparato.

### 2.2 Información general

Lea el manual íntegramente. El desobediencia de las normas, instrucciones y reglamentos puede causar lesiones físicas a personas y/o daños materiales. La instalación, ajuste, modificación y mantenimiento incorrectos del presente aparato puede conducir a lesiones físicas considerables.

Este aparato debe ser instalado por un técnico autorizado. La instalación debe cumplir toda la normativa nacional, regional y local. El técnico especializado es responsable de la correcta instalación. El desobediencia de las instrucciones de instalación y operación o el uso indebido conducen a la anulación de la garantía.

Guarde el presente manual para futuras consultas. El técnico especializado debe entregar este manual al usuario.

En caso de cualquier consulta relativa a la instalación, uso u operación del presente calentador o, si fuera preciso en relación a cualquier otro manual de instalación, diríjase al teléfono de servicio técnico (véase última página).

### 2.3 Medidas de seguridad



#### PELIGRO de lesiones

Lea y obedezca las siguientes instrucciones. El desobediencia de esta información puede conllevar graves lesiones o la muerte.



#### Daños en el aparato y al medio ambiente

Este aparato debe ser instalado por un técnico autorizado. La instalación debe cumplir toda la normativa nacional, regional y local. El mantenimiento del aparato debe ser realizado por técnicos autorizados.



#### PELIGRO Electrocutación

Antes de llevar a cabo cualquier tarea de instalación, ajuste, modificación o mantenimiento de este aparato deben desconectarse todos los interruptores de potencia y seccionadores de alimentación eléctrica del aparato. El desobediencia de estas indicaciones puede conllevar graves lesiones o la muerte.



#### PELIGRO Electrocutación

Sólo podrá retirar la cubierta del aparato si se ha interrumpido la alimentación eléctrica del aparato. El desobediencia de estas indicaciones puede conllevar lesiones físicas o la muerte.



#### PELIGRO Electrocutación

El aparato debe conectarse a tierra adecuadamente. Si no se conecta a tierra el producto pueden producirse graves lesiones físicas o incluso la muerte.



#### PELIGRO Quemaduras

Las temperaturas del agua que superen los 125 °F (52 °C) pueden causar quemaduras graves repentinas o incluso la muerte por escaldamiento. El peligro de escaldamiento con agua caliente existe si el termostato del aparato presenta un ajuste demasiado alto. En hogares con niños pequeños, personas discapacitadas o personas mayores puede ser necesario ajustar el termostato a 113 °F (45 °C) o menos para evitar lesiones físicas por agua caliente.



#### ADVERTENCIA Peligro de lesiones

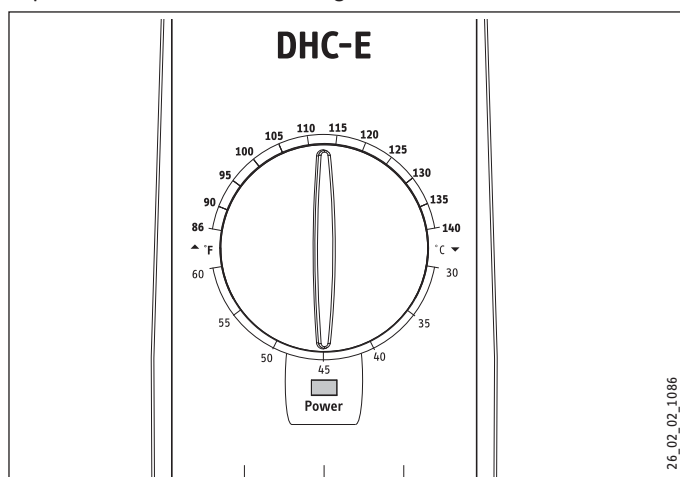
Si niños o personas con discapacidad física, sensorial o mentalmente, operan el aparato debe asegurarse de que dicha operación se realice después de haber recibido la instrucción adecuada por una persona a su cargo. En el caso de los niños debe procurar que no jueguen con el aparato.

### 2.4 Sello de certificación

Consulte la placa de especificaciones del aparato.

### 3. Descripción del equipo

El calentador instantáneo DHC-E se distingue de los acumuladores de agua convencionales en varios aspectos. No acumula agua caliente. En lugar de ello, el agua se calienta de inmediato mientras fluye a través del aparato. Debido a la ausencia de pérdidas de calor en modo standby, el DHC-E ofrece un rendimiento energético superior a un acumulador de agua caliente.



El calentamiento del agua se controla electrónicamente. El DHC-E puede suministrar agua a una temperatura de 86 °F (30 °C) a 140 °F (60 °C). La temperatura deseada puede ajustarse mediante el regulador de temperatura.



**Indicación**

Por razones de eficiencia y vida útil (calcificación) del aparato, el rango de ajuste óptimo de la temperatura está entre 30 °C (86 °F) y 50 °C (120 °F).

Si durante el funcionamiento del aparato parpadea la luz “power” (alimentación), el caudal del agua es superior a lo que puede calentar la potencia calefactora del aparato. En ese caso, reduzca el caudal para que el aparato pueda proporcionar la temperatura ajustada. La temperatura máxima está limitada electrónicamente a 140 °F. Si tuviera cualquier pregunta adicional sobre el uso previsto del DHC-E, diríjase al teléfono de nuestro servicio técnico (véase última página).

### 4. Solución de problemas

Problema	Causa	Solución
No hay agua caliente	El caudal de agua no es suficiente para la activación del aparato	Limpiar el regulador de chorro o el cabezal de la ducha
El agua no está suficientemente caliente	El caudal de agua es demasiado alto	Reducir el caudal hasta que la luz de la cubierta frontal deje de parpadear

Si no puede solucionar la causa llame al instalador. Para poder ayudarlo mejor y con mayor agilidad, indique el número de la placa de especificaciones (000000-0000-000000).

# INSTALACIÓN

## 5. Descripción del equipo

El DHC-E puede utilizarse para los siguientes usos:

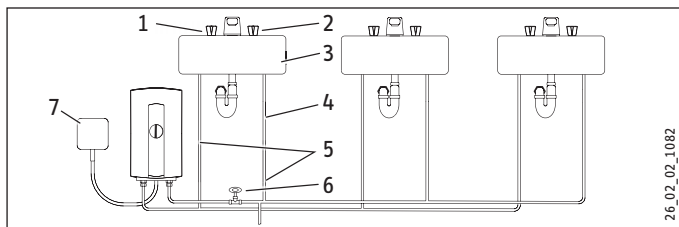
- Uno o varios lavabos de manos
- Un fregadero de cocina
- Ducha con límite de flujo en el cabezal de la ducha

Para llevar a cabo el suministro completo de agua caliente de un piso o de una vivienda unifamiliar, en algunos países puede bastar una combinación de dos aparatos DHC-E. Para este caso de utilización especial, recibirá más información previa consulta a STIEBEL ELTRON.

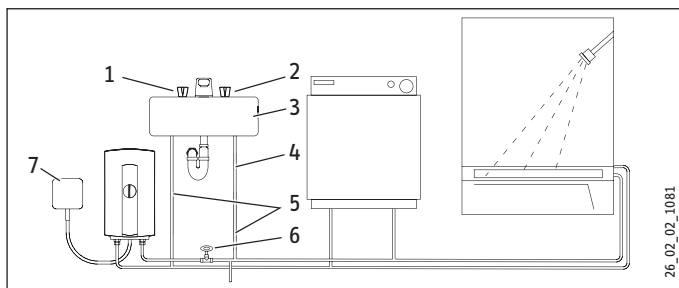
En regiones con una elevada temperatura de entrada de agua fría, durante todo el año por encima de los 65 °F (18 °C), el aparato puede ser adecuado para abastecer todo el piso o vivienda unifamiliar.



**ATENCIÓN Peligro de electrocución**  
El aparato debe instalarse en vertical con las conexiones de agua hacia abajo. En esta posición de instalación, las salpicaduras de agua no pueden penetrar en el aparato.



26\_02\_02\_1082



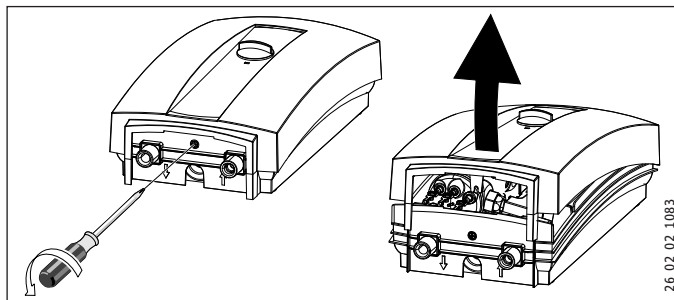
26\_02\_02\_1081

- 1 Válvula de agua caliente (izquierda)
- 2 Válvula de agua fría (a la derecha)
- 3 Lavabos
- 4 Tubería de alimentación de agua fría 1/2"
- 5 Tubería de agua para instalar el grifo de agua
- 6 Válvula de cierre
- 7 Toma de corriente

## 6. Montaje

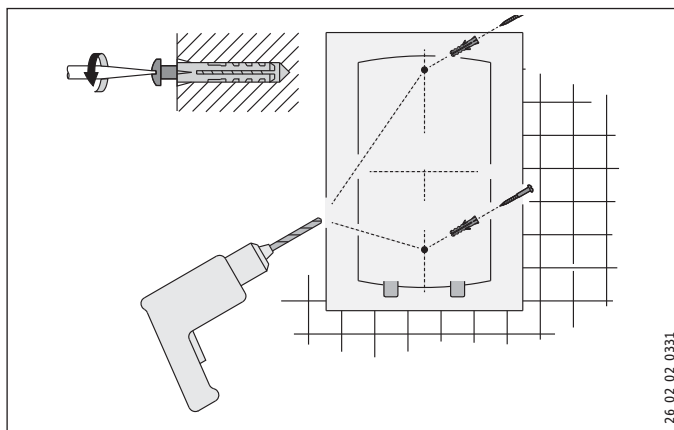
- Colocar el DHC-E lo más cerca posible del punto de extracción de agua caliente.

- El montaje del equipo sólo debe realizarse en habitaciones resguardadas de la escarcha. Guarde el aparato desmontado resguardado de la escarcha, ya que hay agua residual su interior que puede congelarse y causar daños en el aparato.
- Debe dejarse un espacio libre mínimo de 125 mm a cada lado para la realización de las tareas de mantenimiento.

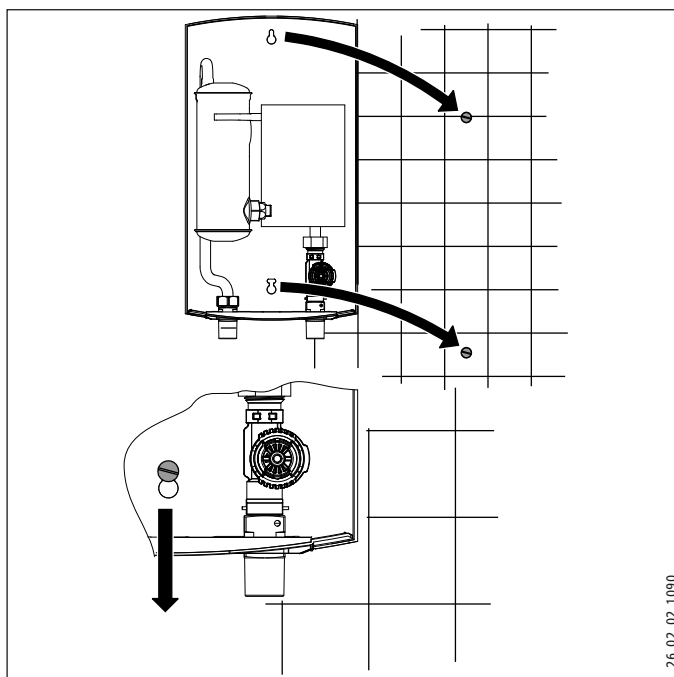


26\_02\_02\_1083

- Retirar la carcasa de plástico.



26\_02\_02\_0331



26\_02\_02\_1090

- Atornille los tornillos y enganche el aparato. Los tornillos y tacos de plástico para colocar el aparato a la pared de mampostería o de madera vienen incluidos.
- Fije los tornillos.

# INSTALACIÓN

## MONTAJE

### 6.1 Conexión de agua



#### Daños en el aparato y al medio ambiente

Si se genera demasiado calor al soldar los tubos de cobre cerca del DHC pueden producirse daños en el aparato.

- ▶ En todos los trabajos debe observarse la normativa nacional y regional vigente.
- ▶ A una presión superior a 1 MPa del suministro de agua fría debe instalar una válvula reductora de presión.
- ▶ Lave el tubo de alimentación de agua fría a fondo para eliminar los restos de cal y suciedad.
- ▶ En el tubo de alimentación de agua fría debe montar una válvula de cierre, véase ilustración "Montaje". Así, el aparato puede cerrarse con fines de mantenimiento.
- ▶ Conexiones en el equipo:
  - Agua fría (entrada) a la derecha
  - Agua caliente (salida) a la izquierda
- ▶ En este aparato no es necesario una válvula de seguridad en la tubería de agua caliente. En algunas regiones es necesario, dependiendo de la normativa vigente, montar una válvula de seguridad. Esta debería instalarse a la salida de agua caliente del aparato.
- ▶ El acumulador de pared es apto para la conexión a sistemas de tuberías de plástico. Si fuera necesario realizar trabajos de soldadura cerca del aparato, procure que la llama no cause daños.
- ▶ Al finalizar todos los trabajos, examine el aparato para detectar posibles fugas.

### 6.2 Conexión eléctrica



#### PELIGRO Electrocutación

Tenga presentes todos los reglamentos y disposiciones nacionales y regionales.



#### PELIGRO Electrocutación

La conexión a la red eléctrica sólo está permitida estableciendo una conexión fija. El aparato debe poder desconectarse omnipolarmente de la red eléctrica al menos durante un intervalo de 3 mm.



#### Daños en el aparato y al medio ambiente

Observe la información de la placa de especificaciones técnicas. La tensión indicada debe coincidir con la tensión de la red local.



#### PELIGRO Electrocutación

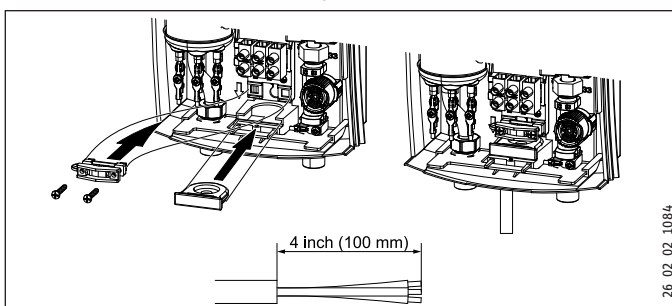
Antes de trabajar en la instalación eléctrica, asegúrese de que los fusibles de suministro eléctrico están apagados para evitar electrocuciones. Antes de la conexión a la red es necesario llevar a cabo todos los pasos de montaje. Si la normativa nacional o regional así lo requiriera, es necesario equipar el circuito eléctrico con un "interruptor de protección de fallas a tierra".



#### PELIGRO Electrocutación

Como en cualquier aparato eléctrico, si no se lleva a cabo la conexión a tierra del aparato pueden causarse lesiones graves o la muerte.

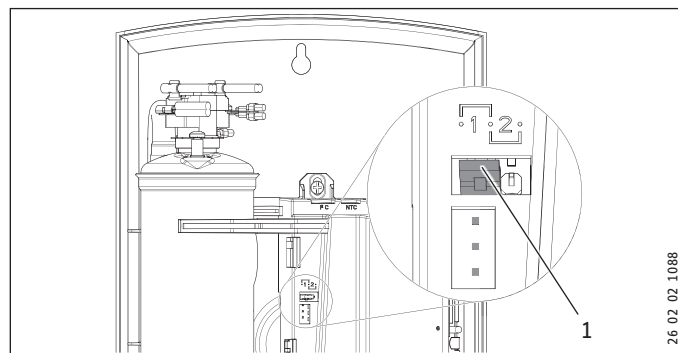
- ▶ Conecte el aparato conforme a la normativa vigente, teniendo en cuenta la conexión a tierra y el circuito eléctrico propio con la tensión adecuada. En instalaciones con varios equipos DHC-E es necesario un circuito eléctrico para cada aparato. La sección transversal del cable de alimentación y el fusible vienen indicados en las "Especificaciones técnicas".



- ▶ Pase la junta de goma sobre el cable de alimentación y monte el cable de alimentación con la abrazadera de descarga de tracción. La abrazadera de descarga de tracción, los tornillos y la junta de goma vienen incluidos en el suministro.
- ▶ Conecte el cable de alimentación con L y L (L y N) al terminal de conexión eléctrica y conecte los hilos de conexión a tierra al tornillo marcado con el símbolo de conexión a tierra.

#### 6.2.1 DHC-E 8/10 – Selección de potencia

En el calentador instantáneo DHC-E 8/10 puede seleccionarse la potencia en dos etapas. El aparato viene de fábrica con el ajuste 7,2 kW a 240 V.



#### 1 Enchufe de codificación

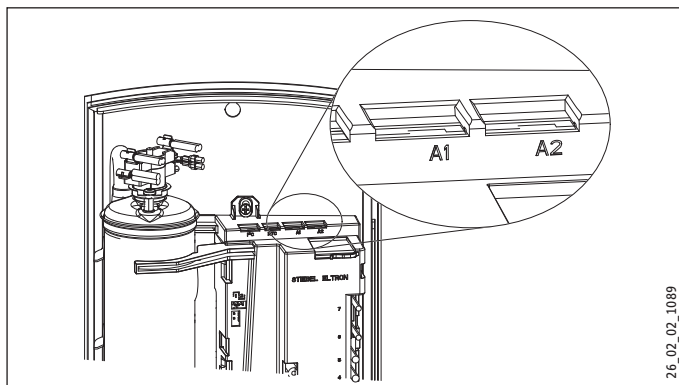
Si es necesario instalar una potencia distinta para el equipo deberá seguir los pasos que se indican a continuación:

- ▶ Inserte el enchufe codificador a la potencia deseada.

Nivel 1	208 V	220 V	230 V	240 V
	5,4 kW	6,0 kW	6,6 kW	7,2 kW
Nivel 2	208 V	220 V	230 V	240 V
	7,2 kW	8,1 kW	8,8 kW	9,6 kW

- ▶ Marcar una cruz con un rotulador sobre la potencia seleccionada en la placa de especificaciones técnicas.

### 6.3 Ajuste de temperatura/protección antiescaldamiento



► Inserte el cable del regulador de temperatura electrónico en la posición "A1" y así obtendrá la temperatura del agua caliente más alta, de 140 °F (60 °C).

**La temperatura máxima puede limitarse a 109 °F (43 °C):**

- Inserte el cable del regulador de temperatura electrónico en la posición "A2".
- Monte la tapa de plástico.

## 7. Puesta en marcha



**PELIGRO Electrocción**  
La puesta en marcha sólo puede ser realizada por un técnico autorizado, observando la normativa de seguridad.



**Daños en el aparato y al medio ambiente**  
Abra el grifo de agua caliente durante algunos minutos, hasta que el agua fluya con uniformidad y las tuberías de agua caliente no contengan más aire. La tapa de plástico del aparato debe estar montada antes de conectar los fusibles.

- Conecte los fusibles para suministrar alimentación al aparato.
- Gire el selector de temperatura a derechas y a izquierdas para calibrar el selector de temperatura.
- Mediante el botón del regulador de temperatura puede ajustar la temperatura deseada.
- Gire el grifo de agua caliente durante algunos segundos hasta que la temperatura se estabilice.
- Compruebe la temperatura del agua con la mano para asegurarse de que el agua no esté demasiado caliente. Reduzca la temperatura si fuera necesario. Para la mayoría de las aplicaciones se recomienda un ajuste de 108 °F - 116 °F (42 °C - 47 °C).
- Explique al usuario el funcionamiento del aparato e instrúyalo acerca del uso del mismo.
- Explique al usuario los posibles peligros (temperatura del agua caliente hasta 140 °F [60 °C]).

## 8. Localización y reparación de fallos



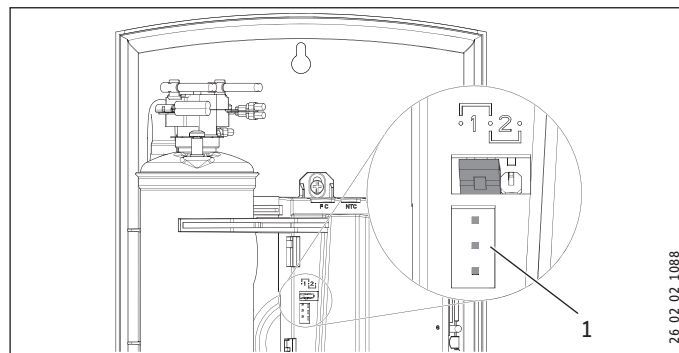
**PELIGRO Electrocción**  
Para poder comprobar el aparato, éste debe estar conectado a la red de alimentación eléctrica.

### 8.1 Posibilidades de indicación de los LED de diagnóstico

Visualización



Rojo se ilumina en caso de fallo  
Amarillo se ilumina si el aparato calienta agua  
Verde parpadea: el aparato recibe suministro eléctrico



1 Semáforo de diagnóstico LED

### 8.2 Tabla de averías

Problema	Causa	Solución
No hay agua caliente	Fusibles apagados Limitador de temperatura de seguridad activado El caudal de agua no es suficiente para la activación del aparato	Conectar fusibles Solucionar el fallo y presionar el limitador de temperatura de seguridad Limpiar el filtro del aparato
No hay suficiente espacio en la memoria.	Filtro obstruido	Limpiar el regulador de chorro o el cabezal de la ducha Limpiar el filtro del aparato
El agua no está suficientemente caliente	El caudal de agua es demasiado alto	Reducir el caudal hasta que la luz de la cubierta frontal deje de parpadear Suministrar la tensión adecuada al aparato

- Si el problema no puede solucionarse, diríjase a nosotros (véase última página) antes de retirar el aparato de la pared. STIEBEL ELTRON le proporcionará asistencia técnica con mucho gusto. En la mayoría de los casos, el problema puede solucionarse mediante una consulta telefónica.

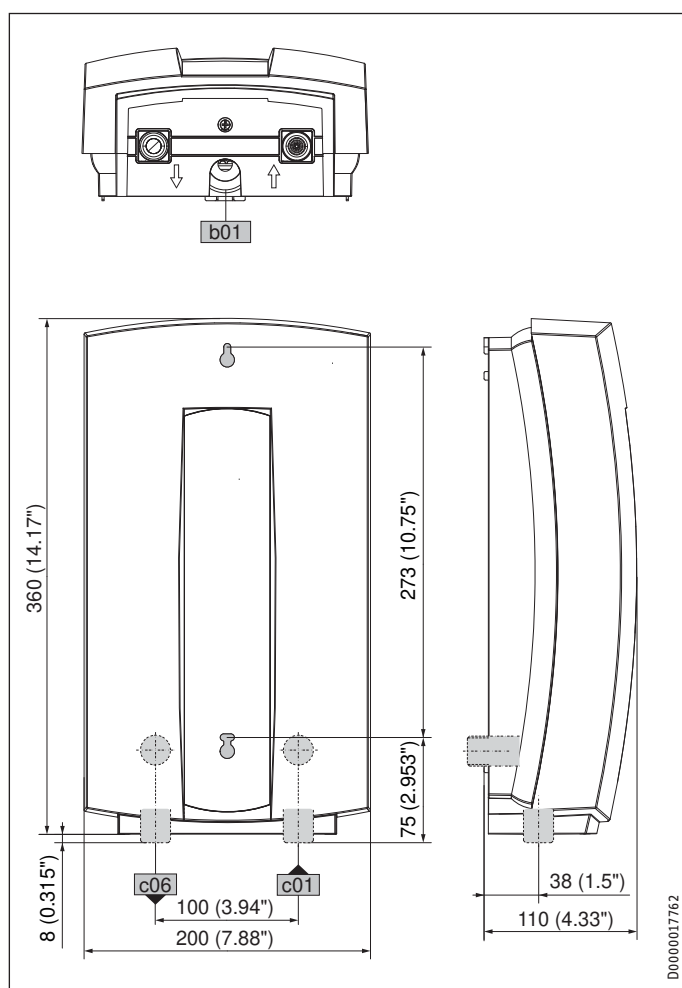
## 9. Mantenimiento

Los aparatos de STIEBEL ELTRON están previstos para una larga vida útil. La esperanza real de vida útil depende de la calidad del agua y del uso. El propio aparato no requiere mantenimiento periódico.

Recomendamos eliminar periódicamente la cal y la suciedad que pueda acumularse en el regulador de chorro del grifo o en el cabezal de la ducha.

## 10. Especificaciones técnicas

### 10.1 Plano dimensional



b01	Tendido de cableado eléctr. I		
c01	Alimentación del agua fría	"NPT	1/2
c06	Salida de agua caliente	"NPT	1/2

### 10.2 Diagrama eléctrico

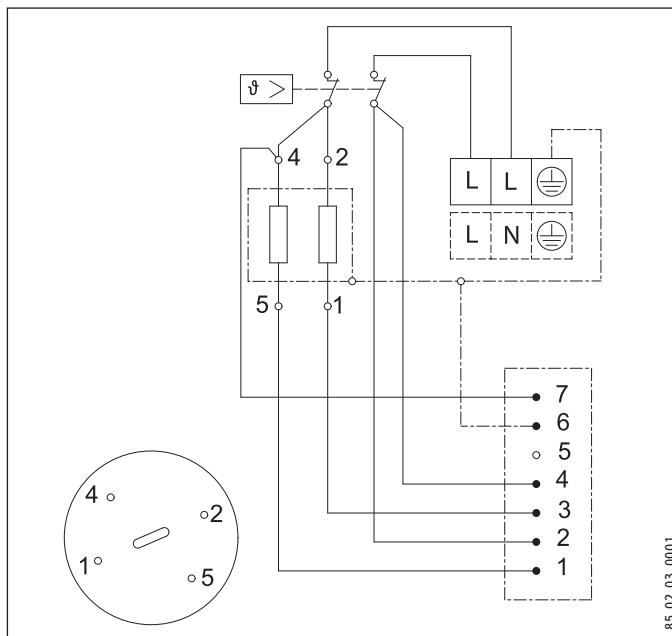
DHC-E 8/10



2/GRD ~ 208 / 240V



1/N/PE ~ 220 / 230 / 240V



85\_02\_03\_0001

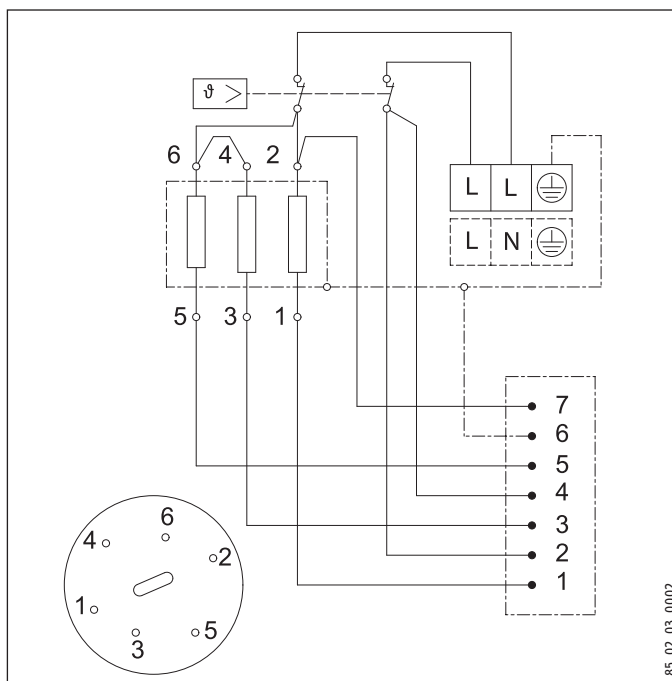
DHC-E 12



2/GRD ~ 208 / 240V



1/N/PE ~ 220 / 230 / 240V



85\_02\_03\_0002

# INSTALACIÓN

## ESPECIFICACIONES TÉCNICAS

### 10.3 Posibles caudales para distintas temperaturas de entrada y de salida

#### Caudal de agua fría [ GPM ]

Temperatura de salida del agua caliente 104 °F												
Temperatura de entrada de agua fría	°F	39	50	59	68	77	86	95	104	113	122	131
DHC-E 8/10	5.4 kW a 208 V	0.57	0.68	0.82	1.02	1.36	2.04	4.09	-	-	-	-
	7.2 kW a 240 V	0.76	0.91	1.09	1.36	1.82	2.72	5.45	-	-	-	-
	7.2 kW a 208 V	0.76	0.91	1.09	1.36	1.82	2.72	5.45	-	-	-	-
	9.6 kW a 240 V	1.01	1.21	1.45	1.82	2.42	3.63	6.61	-	-	-	-
DHC-E 12	9 kW a 208 V	0.95	1.14	1.36	1.70	2.27	3.23	6.47	-	-	-	-
	12 kW a 240 V	1.26	1.51	1.82	2.27	3.03	4.31	6.61	-	-	-	-

Temperatura de salida del agua caliente 113 °F												
Temperatura de entrada de agua fría	°F	39	50	59	68	77	86	95	104	113	122	131
DHC-E 8/10	5.4 kW a 208 V	0.50	0.58	0.68	0.82	1.02	1.36	2.04	4.09	-	-	-
	7.2 kW a 240 V	0.66	0.78	0.91	1.09	1.36	1.82	2.72	5.45	-	-	-
	7.2 kW a 208 V	0.66	0.78	0.91	1.09	1.36	1.82	2.72	5.45	-	-	-
	9.6 kW a 240 V	0.89	1.04	1.21	1.45	1.82	2.42	3.63	6.61	-	-	-
DHC-E 12	9 kW a 208 V	0.83	0.97	1.14	1.36	1.70	2.16	3.23	6.47	-	-	-
	12 kW a 240 V	1.11	1.30	1.51	1.82	2.27	2.88	4.31	6.61	-	-	-

Temperatura de salida del agua caliente 140 °F												
Temperatura de entrada de agua fría	°F	39	50	59	68	77	86	95	104	113	122	131
DHC-E 8/10	5.4 kW a 208 V	0.36	0.41	0.45	0.51	0.58	0.68	0.82	1.02	1.36	2.04	4.09
	7.2 kW a 240 V	0.49	0.54	0.61	0.68	0.78	0.91	1.09	1.36	1.82	2.72	5.45
	7.2 kW a 208 V	0.49	0.54	0.61	0.68	0.78	0.91	1.09	1.36	1.82	2.72	5.45
	9.6 kW a 240 V	0.65	0.73	0.81	0.91	1.04	1.21	1.45	1.82	2.42	3.63	6.61
DHC-E 12	9 kW a 208 V	0.61	0.68	0.76	0.85	0.97	1.08	1.29	1.62	2.16	3.23	6.47
	12 kW a 240 V	0.81	0.91	1.01	1.14	1.30	1.44	1.73	2.16	2.88	4.31	6.61

#### Caudal de agua caliente [l/min]

Temperatura de salida del agua caliente 40 °C												
Temperatura de entrada de agua fría	°C	4	10	15	20	25	30	35	40	45	50	55
DHC-E 8/10	5.4 kW a 208 V	2.15	2.58	3.09	3.87	5.16	7.73	15.47	-	-	-	-
	7.2 kW a 240 V	2.86	3.44	4.12	5.16	6.87	10.31	20.62	-	-	-	-
	7.2 kW a 208 V	2.86	3.44	4.12	5.16	6.87	10.31	20.62	-	-	-	-
	9.6 kW a 240 V	3.82	4.58	5.50	6.87	9.16	13.75	25.00	-	-	-	-
DHC-E 12	9 kW a 208 V	3.58	4.30	5.16	6.44	8.59	12.24	24.49	-	-	-	-
	12 kW a 240 V	4.77	5.73	6.87	8.59	11.46	16.32	25.00	-	-	-	-

Temperatura de salida del agua caliente 45 °C												
Temperatura de entrada de agua fría	°C	4	10	15	20	25	30	35	40	45	50	55
DHC-E 8/10	5.4 kW a 208 V	1.89	2.21	2.58	3.09	3.87	5.16	7.73	15.47	-	-	-
	7.2 kW a 240 V	2.51	2.95	3.44	4.12	5.16	6.87	10.31	20.62	-	-	-
	7.2 kW a 208 V	2.51	2.95	3.44	4.12	5.16	6.87	10.31	20.62	-	-	-
	9.6 kW a 240 V	3.35	3.93	4.58	5.50	6.87	9.16	13.75	25.00	-	-	-
DHC-E 12	9 kW a 208 V	3.14	3.68	4.30	5.16	6.44	8.16	12.24	24.49	-	-	-
	12 kW a 240 V	4.19	4.91	5.73	6.87	8.59	10.88	16.32	25.00	-	-	-

Temperatura de salida del agua caliente 60 °C												
Temperatura de entrada de agua fría	°C	4	10	15	20	25	30	35	40	45	50	55
DHC-E 8/10	5.4 kW a 208 V	1.38	1.55	1.72	1.93	2.21	2.58	3.09	3.87	5.16	7.73	15.47
	7.2 kW a 240 V	1.84	2.06	2.29	2.58	2.95	3.44	4.12	5.16	6.87	10.31	20.62
	7.2 kW a 208 V	1.84	2.06	2.29	2.58	2.95	3.44	4.12	5.16	6.87	10.31	20.62
	9.6 kW a 240 V	2.45	2.75	3.05	3.44	3.93	4.58	5.50	6.87	9.16	13.75	25.00
DHC-E 12	9 kW a 208 V	2.30	2.58	2.86	3.22	3.68	4.08	4.90	6.12	8.16	12.24	24.49
	12 kW a 240 V	3.07	3.44	3.82	4.30	4.91	5.44	6.53	8.16	10.88	16.32	25.00

# INSTALACIÓN

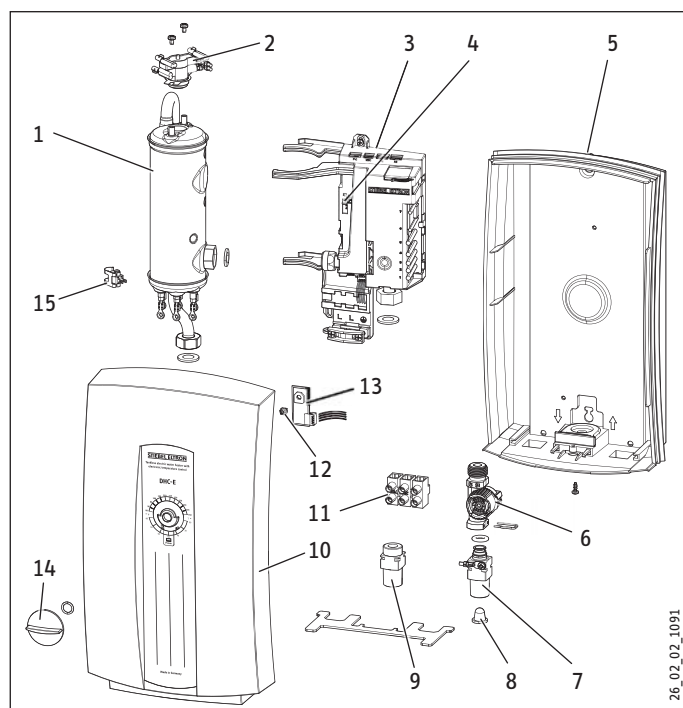
## PIEZAS DE RECAMBIO

### 10.4 Tabla de especificaciones

		DHC-E 8/10								DHC-E 12			
		224201								230628			
Fase		1	1	1	1	1	1	1	1	1	1	1	1
Tensión	V	208	220	230	240	208	220	230	240	208	220	230	240
Frecuencia	Hz	50 / 60	50 / 60	50 / 60	50 / 60	50 / 60	50 / 60	50 / 60	50 / 60	50 / 60	50 / 60	50 / 60	50 / 60
Enchufe de codificación	Posición	1	1	1	1	2	2	2	2	-	-	-	-
Potencia de funcionamiento	kW	5,4	6,0	6,6	7,2	7,2	8,1	8,8	9,6	9	10	11	12
Corriente nominal	A	28	30	31	32	35	37	39	40	44	46	48	50
Protección mín. por fusible	A	30	40	40	40	50	50	50	50	60	60	60	60
Sección transversal recomendada	AWG Cobre	10	-	-	8	8	-	-	8	6	-	-	6
Sección transversal recomendada	mm <sup>2</sup> Cobre	-	6	6	-	-	10	10	-	-	10	10	-
Tipo de protección según		IP 24								IP 24			
Caudal ON	GPM / l/min	0,37 / 1,4								0,37 / 1,4			
Capacidad nominal	GAL / l	0,13 / 0,5								0,13 / 0,5			
Presión máx. admisible	PSI / bar / MPa	150 / 10 / 1								150 / 10 / 1			
Presión de ensayo	PSI / bar / MPa	300 / 20 / 2								300 / 20 / 2			
Peso	lbs Kg	5,9 / 2,7								5,9 / 2,7			
Conexión de agua	" NPT	1/2								1/2			

- ▶ Apto para temperaturas de admisión de hasta 131 °F ( 55 °C )
- ▶ Calentador instantáneo no admisible para el funcionamiento constante
- ▶ Los cables deben dimensionarse de forma que sean capaces de mantener un descenso de tensión de menos del 3% bajo carga

## 11. Piezas de recambio



Nº	Piezas de recambio	DHC-E 8/10	DHC-E 12
1	Sistema de calefacción	292275	292276
2	Limitador de temperatura de seguridad	286369	286369
3	Grupo electrónico	291851	291852
4	Enchufe de codificación	283455	283455
5	Pared posterior de la carcasa	292578	292578
6	Caudalímetro (DFE)	286461	286461
7	Racor de conexión del agua fría	291699	291699
8	Filtro	252430	252430
9	Racor de conexión del agua caliente	278634	278634
10	Tapa de la carcasa	292577	292577
11	Terminal de conexión eléctrica	279998	279998
12	Eje de quita y pon	254312	254312
13	Pletina (transmisor de valor de referencia)	286359	286359
14	Botón del regulador de temperatura	254307	254307
15	Sensor de temperatura (NTC)	280677	280677

## 12. Garantía

Garantía para uso particular y comercial: Stiebel Eltron garantiza la mano de obra y las piezas de los calentadores eléctricos sin tanque DHC-E, por un periodo de tres (3) años a partir de la fecha de compra y libre de fugas por un periodo de siete (7) años a partir de la fecha de compra. En caso que alguna parte o partes se dañen durante este periodo, Stiebel Eltron se responsabiliza a cambiar la parte(s) defectuosa(s) únicamente. Stiebel Eltron no se hace responsable de los gastos de mano de obra en los que se incurra para quitar y/o reemplazar la(s) parte(s) defectuosa(s), o cualquier gasto accidental o como consecuencia del problema.

En caso que el propietario desee regresar el calentador de agua eléctrico sin tanque para que sea reparado, el propietario debe obtener una autorización por escrito de Stiebel Eltron. Y estar preparado para probar la fecha de adquisición, así como, pagar por todos los costos de transportación para regresar la(s) parte(s) defectuosa(s) o el calentador de agua para reparación o reemplazo. La garantía será anulada si el calentador de agua ha sido instalado o usado inadecuadamente o si el diseño ha sido alterado de cualquier manera.

Para los aparatos adquiridos fuera de Alemania no son aplicables las condiciones de garantía de nuestras sociedades alemanas. Además, en los países en los que alguna de nuestras filiales comercialice nuestros productos, la garantía sólo será otorgada por dicha filial. Este tipo de garantía únicamente se otorgará si la filial hubiera publicado unas condiciones de garantía propias. No se otorgará ninguna garantía adicional.

No otorgamos ninguna garantía para aquellos aparatos adquiridos en países en los que ninguna de nuestras filiales comercialicen nuestros productos. Cualquier garantía asegurada por el importador permanecerá inalterada.

### Medio ambiente y reciclado

Colabore para proteger nuestro medio ambiente. Elimine los materiales después de su uso conforme a la normativa nacional vigente.

### UTILISATION

<b>1. Remarques générales</b>	<b>22</b>
1.1 Informations relatives à la sécurité	22
1.2 Autres repérages utilisés dans ce document	23
<b>2. Sécurité</b>	<b>23</b>
2.1 Utilisation conforme	23
2.2 Informations générales	23
2.3 Précautions de sécurité	23
2.4 Label de conformité	23
<b>3. Description de l'appareil</b>	<b>24</b>
<b>4. Comment remédier à un problème</b>	<b>24</b>

### INSTALLATION

<b>5. Description de l'appareil</b>	<b>25</b>
<b>6. Montage</b>	<b>25</b>
6.1 Raccordement hydraulique	26
6.2 Raccordement électrique	26
6.3 Réglage de la température/protection anti-ébullition	27
<b>7. Mise en service</b>	<b>27</b>
<b>8. Comment remédier aux défauts</b>	<b>27</b>
8.1 Possibilités d'affichage des DEL de diagnostic	27
8.2 Tableau des pannes	27
<b>9. Maintenance</b>	<b>27</b>
<b>10. DONNÉES TECHNIQUES</b>	<b>28</b>
10.1 Plan de cotes	28
10.2 Schéma des connexions	28
10.3 Débits possibles pour différentes températures d'entrée et de sortie	29
10.4 Tableau de données	30
<b>11. Pièces de rechange</b>	<b>30</b>

### GARANTIE | ENVIRONNEMENT ET RECYCLAGE

## UTILISATION

### 1. Remarques générales



#### Remarque

Lisez attentivement cette notice avant d'utiliser l'appareil et familiarisez-vous avec ses fonctions. Conservez la notice dans un endroit sûr. Remettez cette notice au nouvel utilisateur le cas échéant.

#### 1.1 Informations relatives à la sécurité

##### 1.1.1 Structure des consignes de sécurité



#### MOT-CLÉ Nature du danger

Ici s'affichent les conséquences possibles de la non-observation des prescriptions de sécurité.

► Les mesures permettant d'éviter ces dangers sont également indiquées.

##### 1.1.2 Symboles, nature du danger

Symbole	Nature du danger
	Blessure
	Électrocution
	Brûlures ou ébullitions

##### 1.1.3 Mots-clés

MOT-CLÉ	Description
DANGER	La non-observation de ces informations entraîne des blessures graves, voire la mort.
AVERTISSEMENT	La non-observation de ces informations peut entraîner des blessures graves, voire la mort.
ATTENTION	La non-observation de ces informations peut entraîner des blessures moyennement graves ou légères.

### 1.2 Autres repérages utilisés dans ce document



#### Remarque

Les remarques sont délimitées par des lignes horizontales au-dessus et en dessous du texte. Les remarques d'ordre général sont caractérisées par le symbole représenté ici à gauche.

► Lisez attentivement ces remarques.

Symbole	
	Dommages sur l'appareil et sur l'environnement
	Recyclage de l'appareil

► Ce symbole indique ce que vous devez faire. Ce que vous devez faire est décrit étape par étape.

## 2. Sécurité

Respectez les consignes suivantes et les prescriptions de sécurité.

N'utilisez cet appareil que s'il est complètement installé et doté de tous les dispositifs de sécurité.

### 2.1 Utilisation conforme

L'appareil est destiné au chauffage de l'eau sanitaire et peut alimenter plusieurs points de soutirage.

Toute utilisation dépassant ces spécifications est considérée comme non conforme.

Le respect de la présente notice faite également partie de l'utilisation conforme de cet appareil.

### 2.2 Informations générales

Lisez la notice en sa totalité. La non-observation de toutes les directives, notices et réglementations peut entraîner des blessures corporelles et/ou des dégâts matériels. Une installation, un paramétrage, une modification ou une maintenance effectuée de manière incorrecte sur cet appareil peut entraîner des blessures très importantes.

Cet appareil doit être installé par un installateur agréé. L'installation doit satisfaire à toutes les prescriptions nationales, régionales et locales. L'installateur est responsable de la réalisation correcte de l'installation. La non-observation de la notice d'installation et d'emploi ou toute installation non-conforme invalide la garantie.

Conservez la présente notice pour consultation ultérieure. L'installateur doit remettre cette notice à l'utilisateur.

En cas de questions à propos de l'installation, de l'utilisation et de l'exploitation de ce préparateur d'eau chaude sanitaire, ou bien si vous avez besoin de manuels d'installation supplémentaires, merci de contacter le numéro de téléphone de l'assistance technique (voir la dernière page).

### 2.3 Précautions de sécurité



#### DANGER Blessure

Lisez et respectez la présente notice. Le non-observation de cette notice peut entraîner des blessures très graves, voire la mort.



#### Dommages sur l'appareil et sur l'environnement

L'appareil doit être installé par un installateur agréé. L'installation doit satisfaire à toutes les prescriptions nationales, régionales et locales. La maintenance de l'appareil doit être effectuée par un installateur qualifié.



#### DANGER Électrocution

Avant d'effectuer les travaux d'installation, de paramétrage, de modification ou de maintenance sur cet appareil, coupez tous les disjoncteurs et sectionneurs de l'alimentation électrique de l'appareil. La non-observation de ces consignes peut entraîner des blessures très graves, voire la mort.



#### DANGER Électrocution

Ne retirez le capot de l'appareil qu'une fois l'alimentation électrique de l'appareil coupée. La non-observation de cette consigne peut entraîner des blessures, voire la mort.



#### DANGER Électrocution

L'appareil doit être relié correctement à la terre. L'absence de liaison à la terre du produit peut entraîner des blessures très graves, voire la mort.



#### DANGER Brûlures

L'eau à des températures supérieures à 52 °C (125 °F) peut entraîner des brûlures immédiates graves, voire la mort par ébullition. Le danger d'ébullition par eau brûlante existe lorsque le thermostat de l'appareil est sur un réglage trop élevé. Dans les foyers avec des enfants en bas âge, des personnes handicapées ou âgées, il peut être nécessaire de régler le thermostat sur 45 °C (113 °F) ou moins pour éviter les blessures dues à l'eau chaude.



#### AVERTISSEMENT Risque de blessures

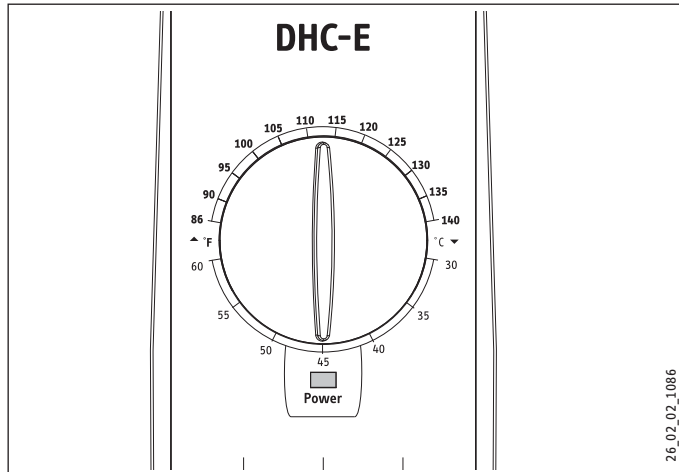
Si des enfants ou des personnes aux capacités physiques, sensorielles ou mentales réduites sont autorisées à utiliser cet appareil, il convient de s'assurer qu'ils l'utilisent uniquement quand ils sont supervisés ou s'ils ont été instruits par la personne responsable de leur sécurité. Veillez à ce que les enfants ne jouent pas avec l'appareil.

### 2.4 Label de conformité

Voir la plaque signalétique de l'appareil.

### 3. Description de l'appareil

Le chauffe-eau instantané DHC-E se distingue des ballons d'eau chaude sanitaire conventionnels à plusieurs points de vue. Il ne stocke pas l'eau chaude. Au lieu de cela, l'eau est immédiatement chauffée quand elle circule dans l'appareil. En raison de la disparition des déperditions calorifiques en mode stand-by, le DHC-E présente une efficacité énergétique supérieure à celle d'un ballon d'eau chaude sanitaire.



Le chauffage de l'eau est commandé par un système électronique. Le DHC-E peut fournir de l'eau à des températures entre 30 °C (86 °F) et 60 °C (140 °F). Pour régler la température souhaitée, utilisez le bouton de thermostat.



**Remarque**

Pour des raisons d'efficacité et de durée de vie (entartrage), la plage de réglage optimale de la température se situe entre 30 °C (86 °F) et 50 °C (120 °F).

Si le voyant « Power » clignote pendant que l'appareil fonctionne, cela signifie que le débit volumétrique de l'eau est supérieur à ce que la puissance chauffage de l'appareil peut chauffer. Dans ce cas, réduisez le débit volumétrique pour que l'appareil puisse fournir de l'eau à la température paramétrée. La température maximale est limitée à 60 °C (140 °F) par le système électronique. Si vous avez des questions sur l'utilisation que vous prévoyez pour le DHC-E, merci de contacter le numéro de téléphone de notre assistance technique (voir la dernière page).

### 4. Comment remédier à un problème

Problème	Cause	► Remède
Pas d'eau chaude sanitaire	Le débit volumétrique en eau est insuffisant pour activer l'appareil.	Nettoyez le régulateur de jet ou la pomme de douche.
L'eau n'est pas assez chaude.	Le débit volumétrique en eau est trop élevé.	Réduire le débit volumétrique en eau jusqu'à ce que le voyant sur le capot avant ne clignote plus.

Appelez un installateur si vous ne réussissez pas à éliminer la cause. Donnez-lui le numéro indiqué sur la plaque signalétique pour qu'il puisse vous aider plus rapidement et plus efficacement (000000-0000-000000).

# INSTALLATION

## 5. Description de l'appareil

Un DHC-E peut être utilisé pour les applications suivantes :

- un ou plusieurs lavabos
- un évier de cuisine
- une douche avec un dispositif limiteur de débit sur la pomme de douche

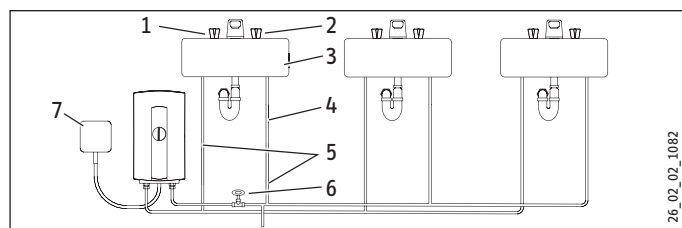
Pour alimenter un appartement ou une maison en eau chaude sanitaire, une combinaison de deux DHC-E peut suffire dans certains pays. Sur demande, STIEBEL ELTRON vous fournira des informations supplémentaires pour cette application spécifique.

Pour les régions où la température d'admission de l'eau froide est élevée, à savoir supérieure à 18 °C (65 °F) toute l'année, l'appareil peut également convenir pour un appartement entier ou toute une maison entière.

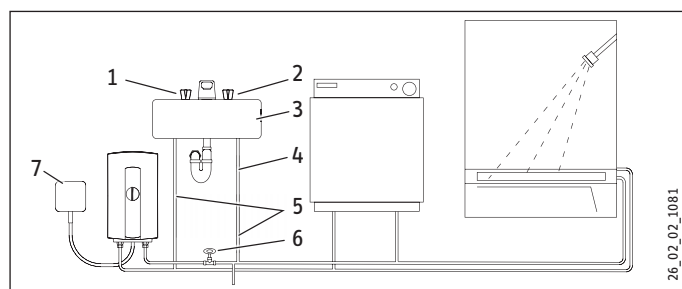


### ATTENTION Électrocution

L'appareil doit être installé à la verticale avec les raccordements hydrauliques vers le bas. Dans cette position de montage, l'eau projetée ne peut pas entrer dans l'appareil.



26\_02\_02\_1082



26\_02\_02\_1081

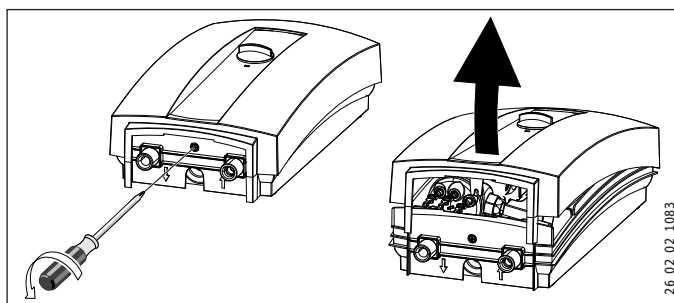
- 1 Robinet d'eau chaude (à gauche)
- 2 Robinet d'eau froide (à droite)
- 3 Lavabo
- 4 Conduite d'eau froide 1/2»
- 5 Conduite d'eau pour l'installation du robinet
- 6 Robinet d'arrêt
- 7 Raccordement électrique

## 6. Montage

- Installez le DHC-E le plus près possible du point de soutirage d'eau chaude.

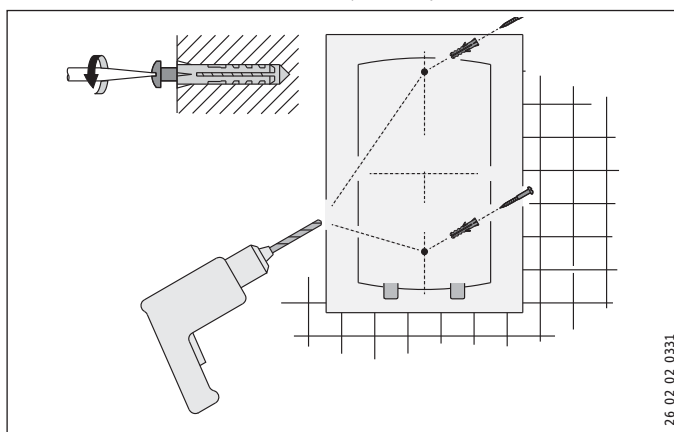
- L'appareil doit être monté uniquement dans un local hors gel. Stockez un appareil démonté en le protégeant du gel, car il reste de l'eau à l'intérieur, qui pourrait geler et causer des dommages.

- Prévoyez un espace libre d'au moins 125 mm sur tous les côtés pour les travaux de maintenance.

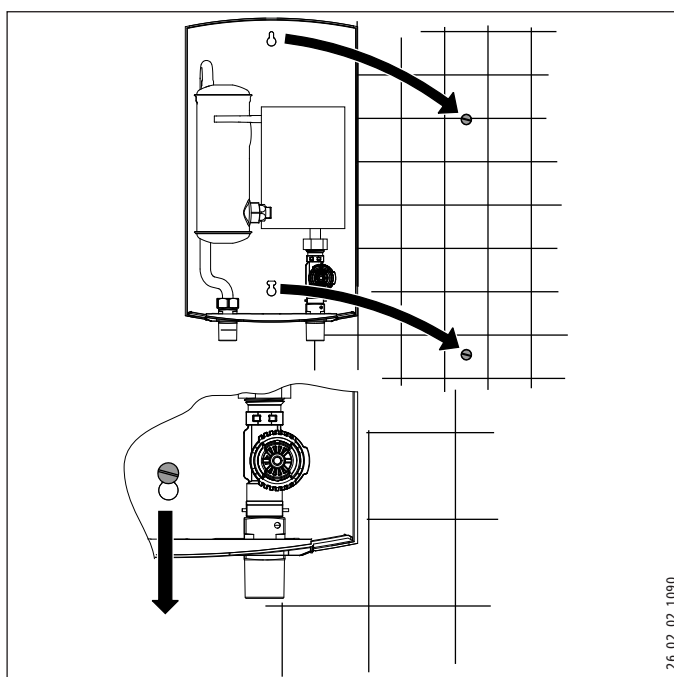


26\_02\_02\_1083

- Retirez le boîtier en matière synthétique.



26\_02\_02\_0331



26\_02\_02\_1090

- Vissez les vis et suspendez l'appareil. Les vis et les chevilles en matière synthétique pour le montage sur maçonnerie ou bois sont fournies à la livraison.

- Bloquez les vis.

# INSTALLATION

## MONTAGE

### 6.1 Raccordement hydraulique



**Dommages sur l'appareil et sur l'environnement**  
L'appareil peut être endommagé par une chaleur trop élevée lors du brasage de tubes en cuivre à proximité du DHC.

- ▶ Pour tous les travaux, vous devez respecter les prescriptions nationales et régionales respectives et applicables.
- ▶ Si la pression de l'alimentation en eau froide est supérieure à 1 MPa, vous devez installer un réducteur de pression.
- ▶ Rincez soigneusement la conduite d'eau froide pour évacuer tous les restes de tartre et les saletés.
- ▶ Vous devez monter une vanne d'arrêt sur la conduite d'eau froide, voir la figure Montage. Cette vanne permet de couper l'appareil du réseau pour les travaux de maintenance.
- ▶ Raccordements sur l'appareil :
  - Eau froide (entrée) à droite
  - Eau chaude sanitaire (sortie) à gauche
- ▶ Sur cet appareil, il n'est pas obligatoire d'installer une soupape de sécurité sur la conduite d'eau chaude sanitaire. Dans certaines régions, les prescriptions exigent d'installer une soupape de sécurité. Dans ce cas, elle doit être installée au niveau de la sortie d'eau chaude sanitaire de l'appareil.
- ▶ Le DHC-E convient pour être raccordé à des tubes en cuivre, en matière synthétique ou en inox. Si des travaux de brasage sont nécessaires à proximité de l'appareil, vous devez veiller à ce que les flammes ne provoquent aucun dégât.
- ▶ Une fois tous les travaux terminés, vérifiez l'étanchéité de l'appareil.

### 6.2 Raccordement électrique



**DANGER Électrocution**  
Tenez compte de la législation et des prescriptions nationales et locales.



**DANGER Électrocution**  
Le raccordement au secteur doit être réalisé exclusivement en connexion fixe. L'appareil doit pouvoir être déconnecté du secteur par un dispositif de coupure multipolaire ayant une ouverture minimale des contacts de 3 mm.



**Dommages sur l'appareil et sur l'environnement**  
Tenez compte des indications sur la plaque signalétique. La tension qui y est indiquée doit correspondre à la tension du secteur.

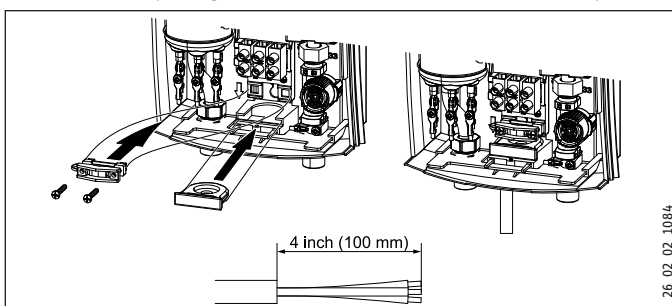


**DANGER Électrocution**  
Avant d'effectuer des travaux sur l'installation électrique, assurez-vous que les fusibles de l'alimentation électrique ont été coupés afin d'éviter toute électrocution. Avant le raccordement au secteur, toutes les opérations de montage doivent être terminées. Si les dispositions nationales ou régionales l'exigent, le circuit électrique doit être équipé d'un « disjoncteur différentiel ».



**DANGER Électrocution**  
Comme pour tous les appareils électriques, l'absence de liaison à la terre de l'appareil peut entraîner de graves blessures, voire la mort.

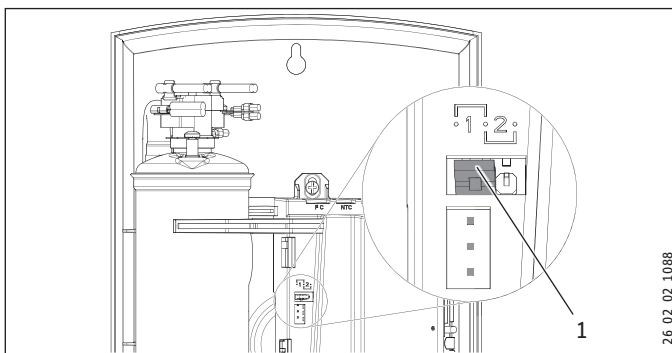
- ▶ Raccordez l'appareil correctement en veillant à la mise à la terre et à ce que le circuit électrique présente la tension correcte. Dans le cas d'installations avec plusieurs DHC-E, chaque appareil doit disposer de son propre circuit électrique. La section de la conduite d'alimentation et la protection électrique figure dans la section Données techniques.



- ▶ Enfilez le joint d'étanchéité en caoutchouc par-dessus la conduite de raccordement et montez celle-ci à l'aide d'un collier anti-traction. Le collier anti-traction, les vis et le joint d'étanchéité en caoutchouc sont fournis à la livraison.
- ▶ Raccordez les conducteurs L et L (L et N) au bornier de raccordement secteur. Raccordez le conducteur de terre à la vis portant le symbole de mise à la terre.

#### 6.2.1 DHC-E 8/10 – Sélection de la puissance

Sur le chauffe-eau instantané DHC-E 8/10, la puissance peut être sélectionnée sur deux niveaux. À sa sortie d'usine, l'appareil est réglé sur 7,2 kW en 240 V.



1 Codeur

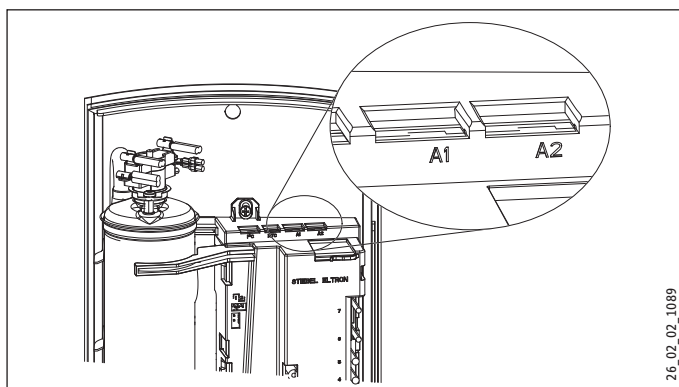
Si l'appareil doit être installé avec une autre puissance, procédez comme suit :

- ▶ Positionnez le codeur sur la puissance souhaitée.

Niveau 1	208 V	220 V	230 V	240 V
	5,4 kW	6,0 kW	6,6 kW	7,2 kW
Niveau 2	208 V	220 V	230 V	240 V
	7,2 kW	8,1 kW	8,8 kW	9,6 kW

- ▶ Marquez la puissance souhaitée et la tension sur la plaque signalétique à l'aide d'un feutre indélébile.

### 6.3 Réglage de la température/protection anti-ébouillamment



- ▶ Enfichez le câble de la régulation de température électronique sur la position A1 pour obtenir la température d'eau chaude sanitaire maximale de 60 °C (140 °F).

**La température maximale peut être limitée à 43 °C (109 °F) par le système électronique :**

- ▶ enfichez le câble de la régulation de température électronique sur la position A2.
- ▶ Mettez en place le capot plastique.

## 7. Mise en service



### DANGER Électrocution

La mise en service doit être réalisée uniquement par un installateur agréé dans le respect des prescriptions de sécurité.



### Dommages sur l'appareil et sur l'environnement

Ouvrez le robinet d'eau chaude sanitaire pendant quelques minutes jusqu'à ce que l'eau s'écoule régulièrement et que la conduite d'eau ne contienne plus d'air. Avant de mettre sous tension, le capot plastique de l'appareil doit être en place.

- ▶ Activez les fusibles pour alimenter l'appareil en courant.
- ▶ Tournez le thermostat dans le sens horaire et anti-horaire pour l'étalonner.
- ▶ Le bouton du thermostat vous permet de régler la température souhaitée.
- ▶ Ouvrez le robinet d'eau chaude pendant quelques secondes jusqu'à ce que la température se stabilise.
- ▶ Vérifiez la température de l'eau en mettant la main sous le jet d'eau pour vous assurer qu'elle n'est pas trop chaude. Si nécessaire, réduisez la température. Une température de 42 °C à 47 °C (108 °F à 116 °F) est recommandée pour la plupart des applications.
- ▶ Expliquez le fonctionnement à l'utilisateur et familiarisez-le avec l'emploi de l'appareil.
- ▶ Attirez l'attention de l'utilisateur sur les dangers possibles (température de l'eau chaude sanitaire pouvant atteindre 60 °C [140 °F]).

## 8. Comment remédier aux défauts



### DANGER Électrocution

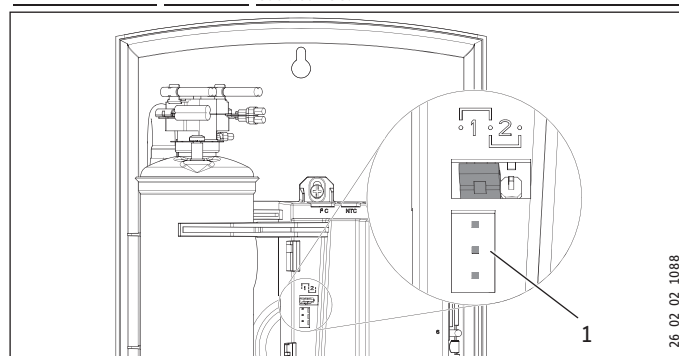
Pour pouvoir tester l'appareil, il doit être alimenté électriquement.

### 8.1 Possibilités d'affichage des DEL de diagnostic

#### Affichage



rouge	s'allume en cas de défaut.
jaune	s'allume lorsque l'appareil chauffe de l'eau.
vert	clignote : l'alimentation électrique de l'appareil est activée.



1 DEL de diagnostic

### 8.2 Tableau des pannes

Problème	Cause	► Remède
Pas d'eau chaude sanitaire	Fusibles coupés	Activez les fusibles.
	Thermostat limiteur de sécurité déclenché	Supprimez le défaut et appuyez sur le thermostat limiteur de sécurité.
Pas assez d'eau chaude.	Le débit volumétrique en eau est insuffisant pour activer l'appareil.	Nettoyez le filtre de l'appareil. Nettoyez le régulateur de jet ou la pomme de douche.
	Le filtre est obstrué.	Nettoyez le filtre de l'appareil.
L'eau n'est pas assez chaude.	Le débit volumétrique en eau est trop élevé.	Réduire le débit volumétrique en eau jusqu'à ce que le voyant sur le capot avant ne clignote plus. Alimentez l'appareil avec la tension correcte.

- ▶ Si ces mesures ne permettent pas de supprimer le problème, contactez-nous (voir la dernière page) avant de décrocher l'appareil du mur. STIEBEL ELTRON se tient à votre disposition pour une assistance technique. Dans la plupart des cas, le problème peut être résolu par téléphone.

## 9. Maintenance

Les appareils de STIEBEL ELTRON sont conçus pour durer. Leur durée de vie effective dépend de la qualité de l'eau et de l'utilisation. L'appareil lui-même n'exige aucun entretien particulier.

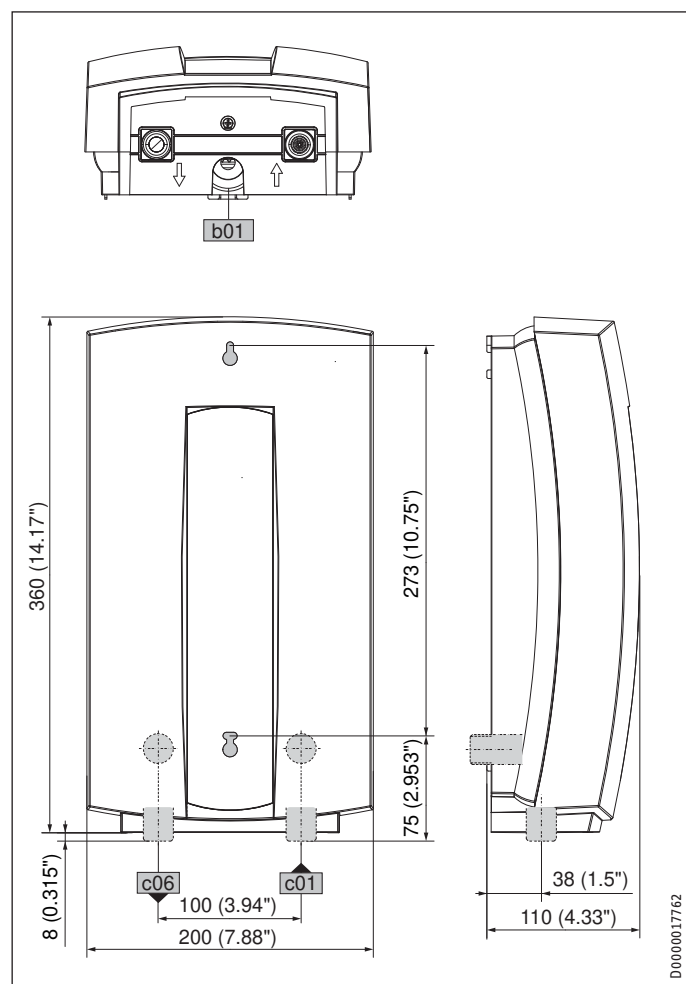
# INSTALLATION

## DONNÉES TECHNIQUES

Nous recommandons de supprimer régulièrement le tartre et les saletés qui peuvent s'accumuler dans le régulateur de jet du robinet ou sur la pomme de douche.

### 10. DONNÉES TECHNIQUES

#### 10.1 Plan de cotes



D0000017762

b01	Passage des câbles électriques I		
c01	Eau froide arrivée	"NPT	1/2
c06	ECS sortie	"NPT	1/2

#### 10.2 Schéma des connexions

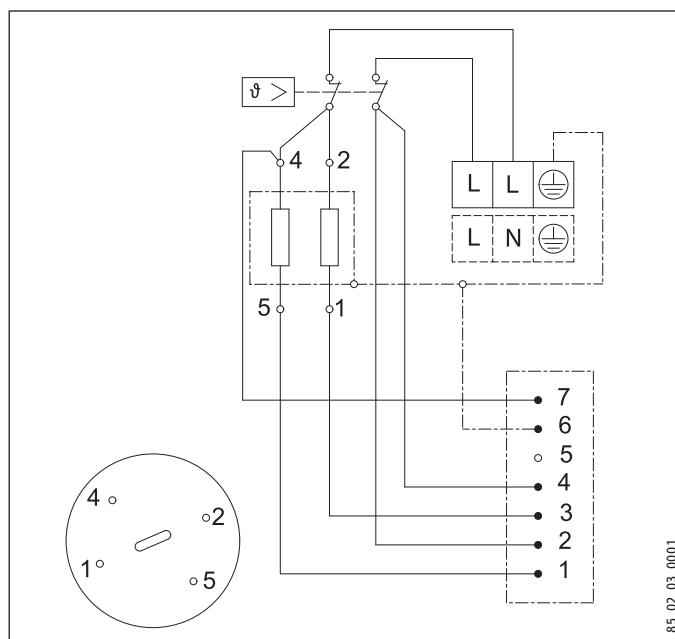
DHC-E 8/10



2/GRD ~ 208 / 240V



1/N/PE ~ 220 / 230 / 240V



85\_02\_03\_0001

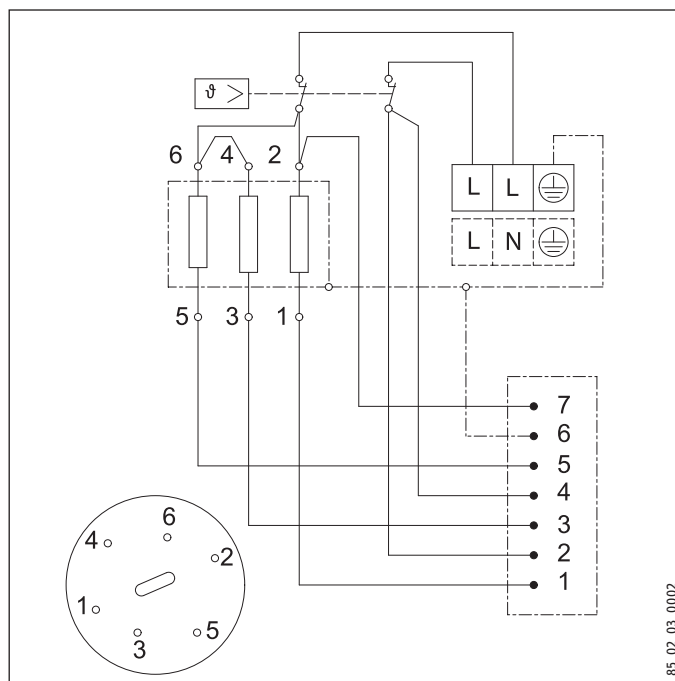
DHC-E 12



2/GRD ~ 208 / 240V



1/N/PE ~ 220 / 230 / 240V



85\_02\_03\_0002

# INSTALLATION

## DONNÉES TECHNIQUES

### 10.3 Débits possibles pour différentes températures d'entrée et de sortie

#### Débit volumétrique ECS [GPM]

Température de sortie ECS 104 °F													
Température d'entrée de l'eau froide		°F	39	50	59	68	77	86	95	104	113	122	131
DHC-E 8/10	5,4 kW @ 208 V		0,57	0,68	0,82	1,02	1,36	2,04	4,09	-	-	-	-
	7,2 kW @ 240 V		0,76	0,91	1,09	1,36	1,82	2,72	5,45	-	-	-	-
	7,2 kW @ 208 V		0,76	0,91	1,09	1,36	1,82	2,72	5,45	-	-	-	-
	9,6 kW @ 240 V		1,01	1,21	1,45	1,82	2,42	3,63	6,61	-	-	-	-
DHC-E 12	9 kW @ 208 V		0,95	1,14	1,36	1,70	2,27	3,23	6,47	-	-	-	-
	12 kW @ 240 V		1,26	1,51	1,82	2,27	3,03	4,31	6,61	-	-	-	-

Température de sortie ECS 113 °F													
Température d'entrée de l'eau froide		°F	39	50	59	68	77	86	95	104	113	122	131
DHC-E 8/10	5,4 kW @ 208 V		0,50	0,58	0,68	0,82	1,02	1,36	2,04	4,09	-	-	-
	7,2 kW @ 240 V		0,66	0,78	0,91	1,09	1,36	1,82	2,72	5,45	-	-	-
	7,2 kW @ 208 V		0,66	0,78	0,91	1,09	1,36	1,82	2,72	5,45	-	-	-
	9,6 kW @ 240 V		0,89	1,04	1,21	1,45	1,82	2,42	3,63	6,61	-	-	-
DHC-E 12	9 kW @ 208 V		0,83	0,97	1,14	1,36	1,70	2,16	3,23	6,47	-	-	-
	12 kW @ 240 V		1,11	1,30	1,51	1,82	2,27	2,88	4,31	6,61	-	-	-

Température de sortie ECS 140 °F													
Température d'entrée de l'eau froide		°F	39	50	59	68	77	86	95	104	113	122	131
DHC-E 8/10	5,4 kW @ 208 V		0,36	0,41	0,45	0,51	0,58	0,68	0,82	1,02	1,36	2,04	4,09
	7,2 kW @ 240 V		0,49	0,54	0,61	0,68	0,78	0,91	1,09	1,36	1,82	2,72	5,45
	7,2 kW @ 208 V		0,49	0,54	0,61	0,68	0,78	0,91	1,09	1,36	1,82	2,72	5,45
	9,6 kW @ 240 V		0,65	0,73	0,81	0,91	1,04	1,21	1,45	1,82	2,42	3,63	6,61
DHC-E 12	9 kW @ 208 V		0,61	0,68	0,76	0,85	0,97	1,08	1,29	1,62	2,16	3,23	6,47
	12 kW @ 240 V		0,81	0,91	1,01	1,14	1,30	1,44	1,73	2,16	2,88	4,31	6,61

#### Débit volumétrique ECS [l/min]

Température de sortie ECS 40 °C													
Température d'entrée de l'eau froide		°C	4	10	15	20	25	30	35	40	45	50	55
DHC-E 8/10	5,4 kW @ 208 V		2,15	2,58	3,09	3,87	5,16	7,73	15,47	-	-	-	-
	7,2 kW @ 240 V		2,86	3,44	4,12	5,16	6,87	10,31	20,62	-	-	-	-
	7,2 kW @ 208 V		2,86	3,44	4,12	5,16	6,87	10,31	20,62	-	-	-	-
	9,6 kW @ 240 V		3,82	4,58	5,50	6,87	9,16	13,75	25,00	-	-	-	-
DHC-E 12	9 kW @ 208 V		3,58	4,30	5,16	6,44	8,59	12,24	24,49	-	-	-	-
	12 kW @ 240 V		4,77	5,73	6,87	8,59	11,46	16,32	25,00	-	-	-	-

Température de sortie ECS 45 °C													
Température d'entrée de l'eau froide		°C	4	10	1	20	25	30	35	40	45	50	55
DHC-E 8/10	5,4 kW @ 208 V		1,89	2,21	2,58	3,09	3,87	5,16	7,73	15,47	-	-	-
	7,2 kW @ 240 V		2,51	2,95	3,44	4,12	5,16	6,87	10,31	20,62	-	-	-
	7,2 kW @ 208 V		2,51	2,95	3,44	4,12	5,16	6,87	10,31	20,62	-	-	-
	9,6 kW @ 240 V		3,35	3,93	4,58	5,50	6,87	9,16	13,75	25,00	-	-	-
DHC-E 12	9 kW @ 208 V		3,14	3,68	4,30	5,16	6,44	8,16	12,24	24,49	-	-	-
	12 kW @ 240 V		4,19	4,91	5,73	6,87	8,59	10,88	16,32	25,00	-	-	-

Température de sortie ECS 60 °C													
Température d'entrée de l'eau froide		°C	4	10	15	20	25	30	35	40	45	50	55
DHC-E 8/10	5,4 kW @ 208 V		1,38	1,55	1,72	1,93	2,21	2,58	3,09	3,87	5,16	7,73	15,47
	7,2 kW @ 240 V		1,84	2,06	2,29	2,58	2,95	3,44	4,12	5,16	6,87	10,31	20,62
	7,2 kW @ 208 V		1,84	2,06	2,29	2,58	2,95	3,44	4,12	5,16	6,87	10,31	20,62
	9,6 kW @ 240 V		2,45	2,75	3,05	3,44	3,93	4,58	5,50	6,87	9,16	13,75	25,00
DHC-E 12	9 kW @ 208 V		2,30	2,58	2,86	3,22	3,68	4,08	4,90	6,12	8,16	12,24	24,49
	12 kW @ 240 V		3,07	3,44	3,82	4,30	4,91	5,44	6,53	8,16	10,88	16,32	25,00

# INSTALLATION

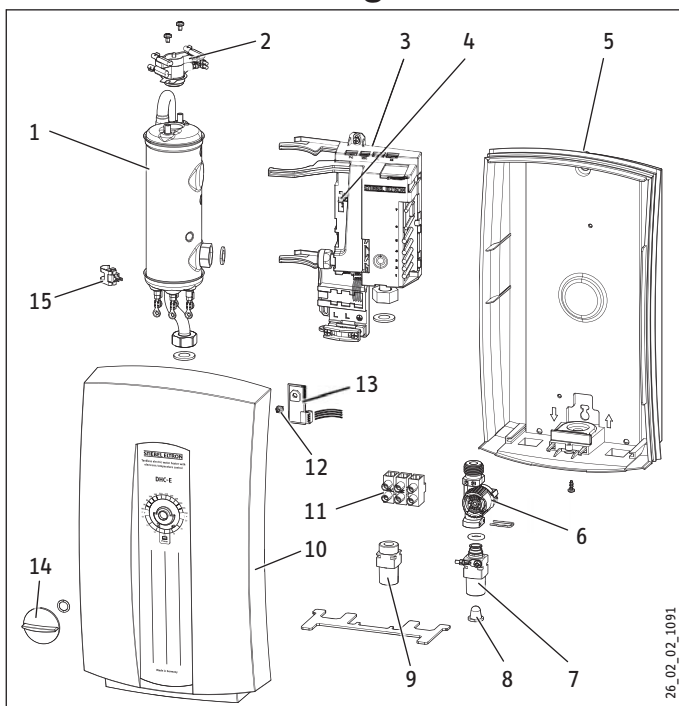
## PIÈCES DE RECHANGE

### 10.4 Tableau de données

	DHC-E 8/10										DHC-E 12			
	224201										230628			
Phase		1	1	1	1	1	1	1	1	1	1	1	1	1
Tension	V	208	220	230	240	208	220	230	240	208	220	230	240	
Fréquence	Hz	50 / 60	50 / 60	50 / 60	50 / 60	50 / 60	50 / 60	50 / 60	50 / 60	50 / 60	50 / 60	50 / 60	50 / 60	
Codeur	Position	1	1	1	1	2	2	2	2	-	-	-	-	
Puissance nominale	kW	5.4	6.0	6.6	7.2	7.2	8.1	8.8	9.6	9	10	11	12	
Courant nominal	A	28	30	31	32	35	37	39	40	44	46	48	50	
Min. Protection	A	30	40	40	40	50	50	50	50	60	60	60	60	
Section de câble recommandé	AWG Cuivre	10	-	-	8	8	-	-	8	6	-	-	6	
Section de câble recommandé	mm <sup>2</sup> Cuivre	-	6	6	-	-	10	10	-	-	10	10	-	
Indice de protection conforme à		IP24										IP24		
Débit « en marche »	GPM / l/min	0,37 / 1,4										0,37 / 1,4		
Contenance nominale	GAL / l	0,13 / 0,5										0,13 / 0,5		
Max. Pression max. admissible	PSI / bar / MPa	150 / 10 / 1										150 / 10 / 1		
Pression d'essai	PSI / bar / MPa	300 / 20 / 2										300 / 20 / 2		
Poids	lbs. / kg	5,9 / 2,7										5,9 / 2,7		
Raccordement hydraulique	" NPT	1/2										1/2		

- ▶ Convient pour des températures d'arrivée d'eau jusqu'à 55 °C (131 °F)
- ▶ Le chauffe-eau instantané n'est pas homologué pour un fonctionnement continu.
- ▶ Les sections des conducteurs sont à dimensionner de telle façon à ce que la chute de tension en charge soit inférieure à 3%.

### 11. Pièces de rechange



N°	Pièces de rechange	DHC-E 8/10	DHC-E 12
1	Système de chauffe	292275	292276
2	Thermostat limiteur de température (STB)	286369	286369
3	Module électronique	291851	291852
4	Codeur	283455	283455
5	Paroi arrière du boîtier	292578	292578
6	Mesureur de débit (DFE)	286461	286461
7	Raccord fileté pour eau froide	291699	291699
8	Filtre	252430	252430
9	Raccord fileté pour eau chaude	278634	278634
10	Capuchon pour boîtier	292577	292577
11	Bornier de raccordement au secteur	279998	279998
12	Demi-arbre	254312	254312
13	Carte (générateur de valeur de consigne)	286359	286359
14	Bouton du thermostat	254307	254307
15	Sonde de température (NTC)	280677	280677

26\_02\_02\_1091

## 12. Garantie

Garantie applicable aux utilisateurs privés et commerciaux: Stiebel Eltron garantit au propriétaire initial que le chauffe-eau instantané électrique DHC-E est exempt de défauts de fabrication et de matériaux pendant une période de trois (3) ans à compter de la date d'achat, et sans fuite pour une période de sept (7) ans à compter de la date d'achat. En cas de défaut avéré d'une ou plusieurs pièces lors d'une utilisation normale durant cette période, Stiebel Eltron n'est responsable que du remplacement de la ou des pièces défectueuses. Stiebel Eltron n'est pas responsable des frais de main-d'œuvre découlant de la dépose et/ou du remplacement de la ou des pièces défectueuses ni des éventuels frais accessoires ou indirects.

Si le propriétaire souhaite renvoyer le chauffe-eau instantané électrique pour réparation, il doit d'abord obtenir l'autorisation écrite de Stiebel Eltron. Le propriétaire sera tenu de produire la preuve de la date d'achat et de supporter tous les frais de transport inhérents au renvoi de la ou des pièces défectueuses ou du chauffe-eau instantané électrique pour réparation ou remplacement. La garantie ne couvre pas les installations ou utilisations incorrectes du chauffe-eau ni les modifications de conception éventuelles.

Les conditions de garantie de nos filiales allemandes ne s'appliquent pas aux appareils achetés hors d'Allemagne. Au contraire, c'est la filiale chargée de la distribution de nos produits dans le pays qui est seule habilitée à accorder une garantie. Une telle garantie ne pourra cependant être accordée que si la filiale a publié ses propres conditions de garantie. Il ne sera accordé aucune garantie par ailleurs.

Nous n'accordons aucune garantie pour les appareils achetés dans des pays où aucune filiale de notre société ne distribue nos produits. D'éventuelles garanties accordées par l'importateur restent inchangées.

## Environnement et recyclage

Merci de contribuer à la préservation de notre environnement. Après usage, procédez à l'élimination de ces matériaux conformément à la réglementation nationale.

## Deutschland

STIEBEL ELTRON GmbH & Co. KG  
Dr.-Stiebel-Straße | 37603 Holzminden  
Tel. 05531 702-0 | Fax 05531 702-480  
info@stiebel-eltron.de  
www.stiebel-eltron.de

## Verkauf

Tel. 05531 702-110 | Fax 05531 702-95108 | info-center@stiebel-eltron.de

## Kundendienst

Tel. 05531 702-111 | Fax 05531 702-95890 | kundendienst@stiebel-eltron.de

## Ersatzteilverkauf

Tel. 05531 702-120 | Fax 05531 702-95335 | ersatzteile@stiebel-eltron.de

## Australia

STIEBEL ELTRON Australia Pty. Ltd.  
4/8 Rocklea Drive | Port Melbourne VIC 3207  
Tel. 03 9645-1833 | Fax 03 9645-4366  
info@stiebel.com.au  
www.stiebel.com.au

## Austria

STIEBEL ELTRON Ges.m.b.H.  
Eferdinger Str. 73 | 4600 Wels  
Tel. 07242 47367-0 | Fax 07242 47367-42  
info@stiebel-eltron.at  
www.stiebel-eltron.at

## Belgium

STIEBEL ELTRON bvba/sprl  
't Hofveld 6 - D1 | 1702 Groot-Bijgaarden  
Tel. 02 42322-22 | Fax 02 42322-12  
info@stiebel-eltron.be  
www.stiebel-eltron.be

## Czech Republic

STIEBEL ELTRON spol. s r.o.  
K Hájům 946 | 155 00 Praha 5 - Stodůlky  
Tel. 251116-111 | Fax 235512-122  
info@stiebel-eltron.cz  
www.stiebel-eltron.cz

## Denmark

Pettinaroli A/S  
Mandal Allé 21 | 5500 Middelfart  
Tel. 06341 666-6 | Fax 06341 666-0  
info@stiebel-eltron.dk  
www.stiebel-eltron.dk

## Finland

Insinöörtoimisto Olli Andersson Oy  
Kapinakuja 1 | 04600 Mäntsälä  
Tel. 020 720-9988 | Fax 020 720-9989  
info@stiebel-eltron.fi  
www.stiebel-eltron.fi

## France

STIEBEL ELTRON SAS  
7-9, rue des Selliers  
B.P 85107 | 57073 Metz-Cédex 3  
Tel. 0387 7438-88 | Fax 0387 7468-26  
info@stiebel-eltron.fr  
www.stiebel-eltron.fr

## Hungary

STIEBEL ELTRON Kft.  
Gyár u. 2 | 2040 Budaörs  
Tel. 01 250-6055 | Fax 01 368-8097  
info@stiebel-eltron.hu  
www.stiebel-eltron.hu

## Japan

NIHON STIEBEL Co. Ltd.  
Kowa Kawasaki Nishiguchi Building 8F  
66-2 Horikawa-Cho  
Saiwai-Ku | 212-0013 Kawasaki  
Tel. 044 540-3200 | Fax 044 540-3210  
info@nihonstiebel.co.jp  
www.nihonstiebel.co.jp

## Netherlands

STIEBEL ELTRON Nederland B.V.  
Daviottenweg 36  
5222 BH 's-Hertogenbosch  
Tel. 073 623-0000 | Fax 073 623-1141  
stiebel@stiebel-eltron.nl  
www.stiebel-eltron.nl

## Poland

STIEBEL ELTRON Polska Sp. z o.o.  
ul. Działkowa 2 | 02-234 Warszawa  
Tel. 022 60920-30 | Fax 022 60920-29  
stiebel@stiebel-eltron.pl  
www.stiebel-eltron.pl

## Russia

STIEBEL ELTRON LLC RUSSIA  
Urzhumskaya street 4,  
building 2 | 129343 Moscow  
Tel. 0495 7753889 | Fax 0495 7753887  
info@stiebel-eltron.ru  
www.stiebel-eltron.ru

## Slovakia

TATRAMAT - ohrievače vody, s.r.o.  
Hlavná 1 | 058 01 Poprad  
Tel. 052 7127-125 | Fax 052 7127-148  
info@stiebel-eltron.sk  
www.stiebel-eltron.sk

## Switzerland

STIEBEL ELTRON AG  
Netzibodenstr. 23 c | 4133 Pratteln  
Tel. 061 81693-33 | Fax 061 81693-44  
info@stiebel-eltron.ch  
www.stiebel-eltron.ch

## Thailand

STIEBEL ELTRON Asia Ltd.  
469 Moo 2 Tambol Klong-Jik  
Amphur Bangpa-In | 13160 Ayutthaya  
Tel. 035 220088 | Fax 035 221188  
info@stiebeltronasia.com  
www.stiebeltronasia.com

## United Kingdom and Ireland

STIEBEL ELTRON UK Ltd.  
Unit 12 Stadium Court  
Stadium Road | CH62 3RP Bromborough  
Tel. 0151 346-2300 | Fax 0151 334-2913  
info@stiebel-eltron.co.uk  
www.stiebel-eltron.co.uk

## United States of America

STIEBEL ELTRON, Inc.  
17 West Street | 01088 West Hatfield MA  
Tel. 0413 247-3380 | Fax 0413 247-3369  
info@stiebel-eltron-usa.com  
www.stiebel-eltron-usa.com



Irrtum und technische Änderungen vorbehalten! | Subject to errors and technical changes! | Sous réserve d'erreurs et de modifications techniques! | Onder voorbehoud van vergissingen en technische wijzigingen! | Salvo error o modificación técnica! | Excepto erro ou alteração técnica | Zastrzeżone zmiany techniczne i ewentualne błędy! | Omyly a technické změny jsou vyhrazeny! | A muszaki változtatások és tévedések jogát fenntartjuk! | Отсутствие ошибок не гарантируется. Возможны технические изменения. | Chyby a technické zmeny sú vyhradené!

Stand 8765

**STIEBEL ELTRON**

A 291850-36897-8756  
B 293192-36897-8756 M