

VIVOHOME

**THANK
YOU!**

NOTE:

To continuously improve its products, VIVOHOME reserves the right to modify this information without prior notification.

For any questions regarding assembly, please watch the video on the product page or contact our customer service. Our customer service will gladly assist you with any additional questions, comments, or concerns.

Thank you for using VIVOHOME products in your home!

Thank You for Purchasing from

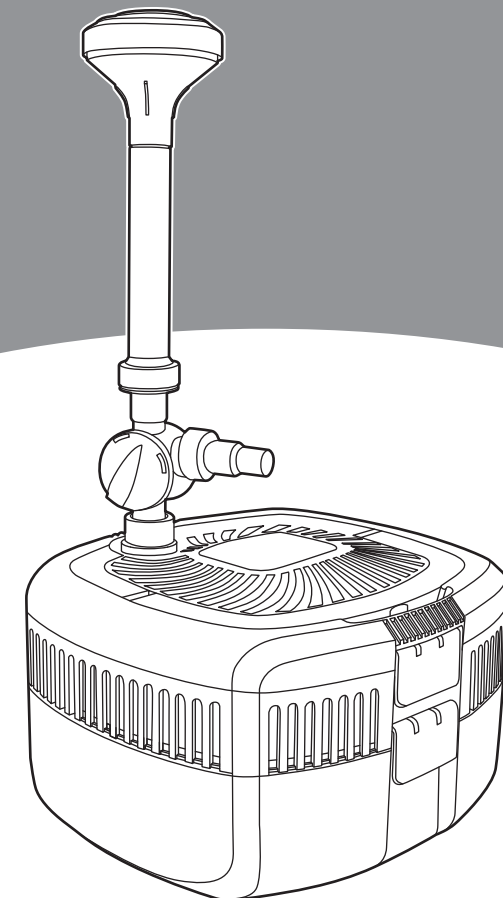
VIVOHOME

Made in China

VIVOHOME

HOW-TO

USER MANUAL



Fountain Filter with Pump

Assembly is EASY!

**WE WANT
YOU TO
ENJOY LIFE
AT HOME**

GO TO THE PRODUCT LISTING PAGE
FOR AN INSTRUCTIONAL VIDEO!

CONTENTS

Warning	1
Caution	1
Instruction	3
Features	3
Technical Parameter	4
Part List	4
Installation and Maintenance	7
Storage in Winter	9
Easily Broken Parts	9
Trouble Shooting	10

SECTION A

Warning



Please read the operating instructions and familiarize yourself with the equipment before placing it in service. Correct and safe use of the system requires strict compliance with the safety instructions. For safety reasons, children and young people under 16 years of age, as well as people that cannot recognize potential hazards, or people that are not familiar with these instructions, may not use this device.

SECTION B

Caution



CUF is UV-C clarify equipment which can be combined. It contains water pump and one piece of UV-C lamp. Any damage on the equipment or unmerited operation will bring dangerous radiation to the skin and eyes. So if there is any damage of the equipment, it can not be used any more. This equipment is not intend for use by person (including children) with reduced physical, sensory, or mental capabilities, or lack of experience and knowledge, unless they have been given supervision or instruction concerning the use of the equipment by a person responsible for their safety.

The equipment should be placed out of children reach. For the consideration of security, people under 16 years old and those who can not identify danger or grasp the instruction can not use the equipment.

1. This equipment should be placed under the water. Be sure the equipment is submerged completely in the water and the depth should not be greater than 6.56ft.
2. When the water is not enough to submerge the equipment, please never connect power of the equipment to avoid running without water and cause damage.
3. As the UV-C lamp is made of quartz glass, please avoid drop of it or wallop on it.
4. Before all parts are installed completely, the equipment can not be plugged in.
5. If there is any damage on the power cable, UV-C lamp or shell, the equipment can not be used . And it should be discarded as useless.
6. Please make sure that the electrical voltage, frequency used are consistent with the indication on the label of the equipment.
7. When installing the equipment, the installation regulation of pond pumps should be followed.
8. The equipment should be grounded. And the professional person should check grounding condition. For safety considerations, we advise customer to install ground fault circuit interrupter (GFCI).
9. Pull the connecting cable is forbidden. And please keep the connecting cable away from heat, greasiness or sharpness.
10. When the pump have any unusual noise, please unplug to check the reason.
11. When the frost is coming, please move away UV-C filter to avoid frost crack.
12. The dirtiness on the quartz glass tube will influence the effect of the equipment, please clean the quartz glass tube in time.
13. When the body shell is blocked with the sands and rubbish, it is possible to destroy the quartz glass tube and water pump. So please add the filter sponge to the inlet of the water. And the sponge should be cleaned timely (once a month).
14. UV-C is harmful to the eyes and skin. Please do not watch UV-C directly or let the skin approach to the UV-C.
15. When installing or repairing this equipment, the electrical source of the equipment must be switched off.

SECTION C

Instruction



1. This equipment includes a built-in filter sponge, biochemical basket, UV-C lamp and water pumps. This equipment adopt reasonable water channel, suitable for both indoor and outdoor pond gardens, aquatic breeding, clean water sterilization and water fountains.
2. Through the working of water pump, water flows from the filter cover to filter sponge, and then to the UV-C lamp. Inside of the UV-C lamp the harmful bacteria and algae will be killed. Then the water flow to outside finally.
3. The UV-C lamp was designed as a closed device, no UV-C will scattering. And UV-C light 253.7nm will kill the harmful bacteria and algae to keep a good condition of water.

SECTION D

Features



1. This product contents filtration, biochemical bacteria culture, sterilization, pumping, fountain and other functions all in one, and the structure is reasonable and compact.
2. Large filter surface, reasonable water flow channel, and the effect is remarkable.
3. Built-in independent filter material box is designed for easy replacement and addition of different biochemical filter materials. (Please refer to the product structure for specific models.)
4. For the CUF-3800 series, the water filter in the middle can be stacked (sold separately) to extend the maintenance cycle.
5. Suitable for ponds.

SECTION E

Technical Parameter



Model	Voltage	Power	UV-C-Power	H-max	Output	Hose Adapter
CUF-5000	110-120V/ 60Hz	42W	9W	6.56ft	530GPH	$\frac{1}{2}$ " ~ $\frac{3}{4}$ " ~ 1"
CUF-6000		54W	9W	8.20ft	660GPH	
CUF-3800	110-120V/ 60Hz	37W	13W	9.19ft	950GPH	$\frac{3}{4}$ " ~ 1"
CUF-5800		57W	13W	15.75ft	1370GPH	

SECTION F

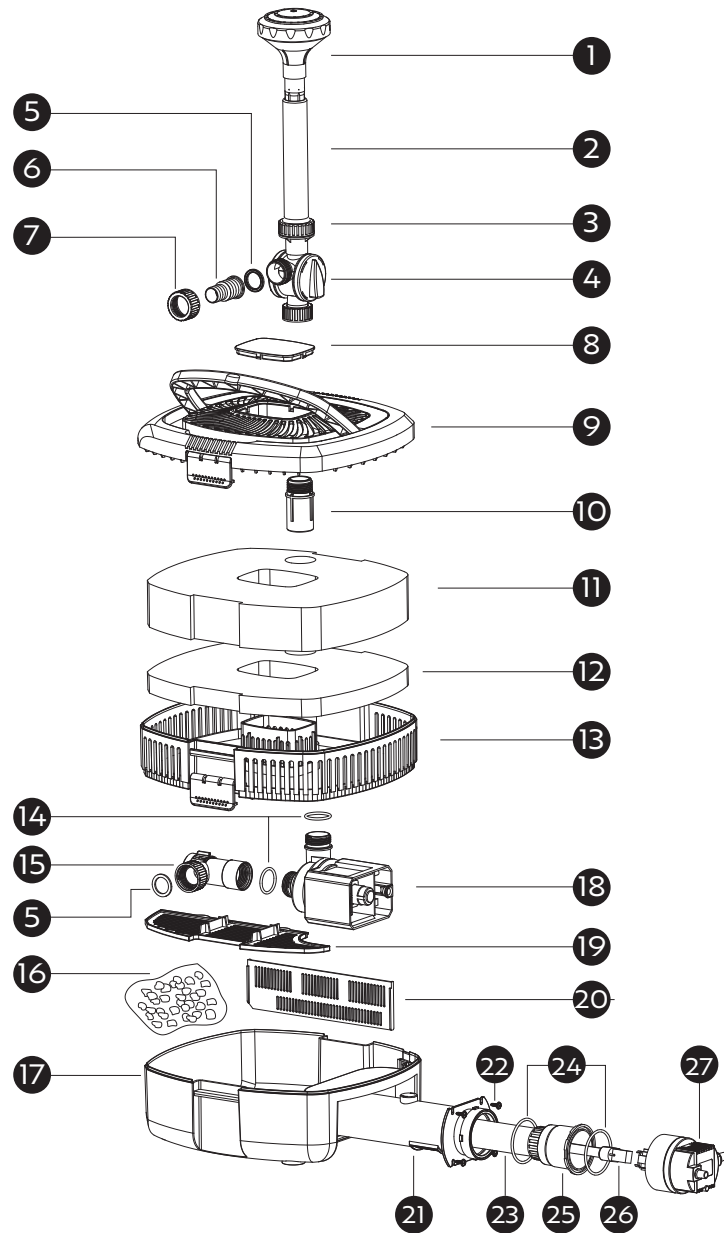
Part List



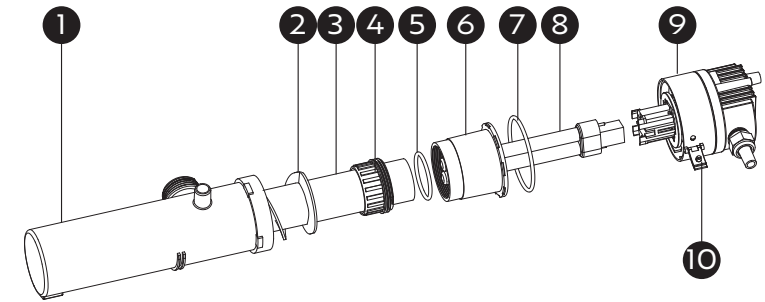
1	Nozzle	8	UV observation window	15	Curved joint	22	Screw
2	Flexible tube	9	Upper filter cover	16	Filter material	23	Quartz glass tube
3	Nut	10	Connection thread	17	Lower filter cover	24	O-ring 2
4	T-joint	11	Coarse sponge	18	Motor	25	Quartz glass tube sleeve
5	Gasket	12	Fine sponge	19	Partition 1	26	UV lamp
6	Outlet	13	Middle filter cover	20	Partition 2	27	UV-C device head with cable
7	Outlet nut	14	O-ring 1	21	UV light shell body		



CUF-3800/5800



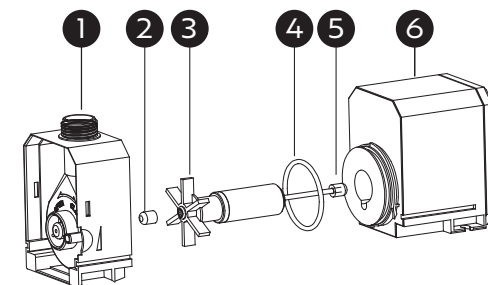
UV-Clamp



1	UV light shell body	6	Quartz glass tube sleeve
2	Spiral sleeve	7	60x3.1 O-ring
3	Quartz glass tube	8	UV-C lamp
4	Fixing nut	9	UV-C device head with cable
5	45x4 O-ring	10	Safety buckle

Water Pump

1	2	3	4	5	6
Impeller cover	Rubber bearing	Rotor	O-ring	Shaft	Motor





Please switched off the electrical power when you clean the inside or change the UV-C lamp. When cleaning the inside or changing the UV-C lamp, please take the part list above as your reference.

Installation

After assembling the fountain parts according to the structure diagram, adjust the extension tube to the appropriate height and immerse the equipment under the water. If you need to pump clean water, you can remove the fountain assembly and install the water outlet pipe for using.

Maintenance

Maintenance for Filter Sponge and Filter Material:

1. Take off the fountain parts, and open the two clips on the side of the filter cover, then you can open the filter cover.
2. Take out the filter sponge and filter material (boxes), clean or change these. (It is recommended that you clean the filter sponge every week)



Maintenance for UV-C Lamp

1. Open the pump, remove the UV-C lamp from the pump, open the safety buckle, and rotate the lamp head counterclockwise to remove the quartz glass tube assembly. At this time, the UV-C lamp can be replaced. (The CUF-3800 series does not need to open the pump, rotate the lamp head directly counterclockwise to remove.)
2. If you want to clean the quartz glass tube, remove the fixing nut and take it out for cleaning.

Maintenance for Water Pump

1. Rotate the impeller cover counterclockwise to the stuck position and open it outward to separate the impeller cover from the pump body.
2. Remove the rotor and clean all parts with the small brush.



1. Take out the equipment from water.
2. Clean the equipment thoroughly.
3. Check the parts and conditions of the equipment.
4. Keep this equipment in an area free from frost, or in a container with clean water in a container with clean water.



1. UV-C lamp.
2. Filter materials (bio-ball, gravel, filter sponge).



Trouble	Reason	Solution
Water pump doesn't work	<ul style="list-style-type: none"> ● No power ● The water pump is burnt. ● The impeller is blocked. 	<ul style="list-style-type: none"> ● Plug in ● Change water pump ● Clean the blocks
Water pump noisy	<ul style="list-style-type: none"> ● Something is blocked in the impeller room. ● The rotor or shaft has wear and tear. 	<ul style="list-style-type: none"> ● Open the water pump and clean the blocks ● Change the rotor or shaft
Water pump lacks water	<ul style="list-style-type: none"> ● The impeller is broken or the water flow valve is closed. ● The equipment inlet is blocked or the water pump inlet is blocked. ● Voltage is lower than requested. 	<ul style="list-style-type: none"> ● Change the impeller set or open the water flow valve ● Clean the blocks ● Use suitable voltage
UV-C lamp doesn't work	<ul style="list-style-type: none"> ● No power ● UV-C lamp is broken. ● Connection of the UV-C lamp is not good. 	<ul style="list-style-type: none"> ● Plug in ● Change UV-C lamp ● Re-place the UV-C lamp