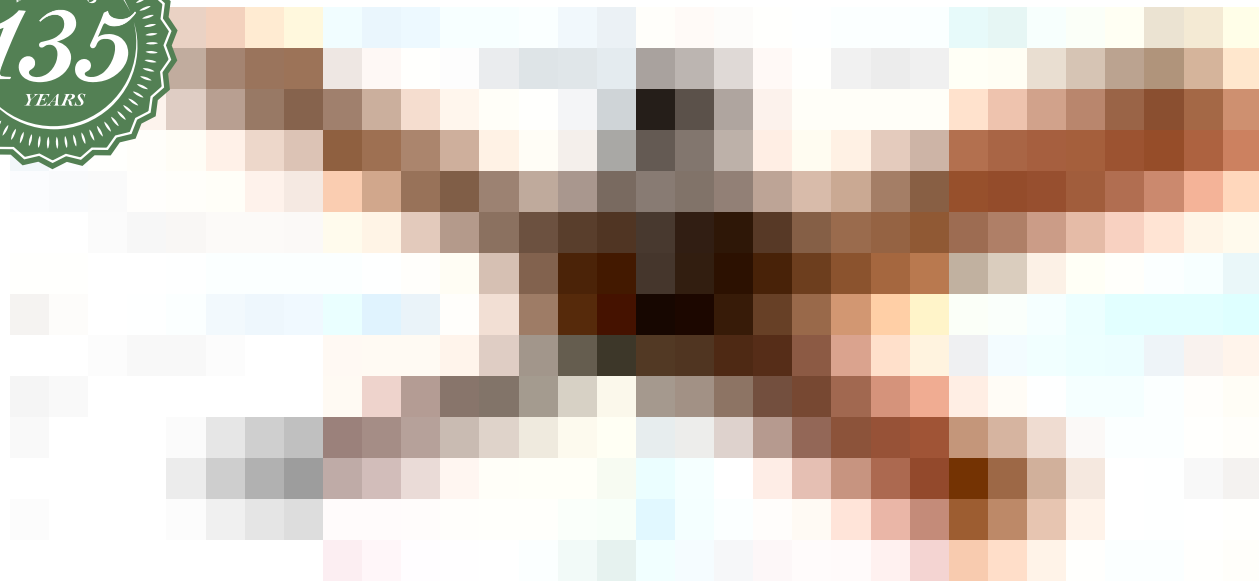


# Original

## Installation Manual



### Historic 4 Blade Configuration (Page 9)

OR

### Classic 5 Blade Configuration (Page 10)



Model: 23845 White  
23847 Chestnut Brown  
23838 Black  
23863 Black  
51123 Matte Silver  
Fan weight  $\pm 2$  lbs: 43.2 lbs (19.6 kg)

*Hunter* SINCE 1886



The ceiling fan you purchased will provide comfort and performance in your home or office for many years. This instruction manual contains complete instructions for installing and operating your fan. We are proud of our work and appreciate the opportunity to supply you with the best ceiling fan available anywhere in the world.

## We are here to help!

This Instruction Manual is designed to make installation as simple as possible. While working through this Instruction Manual, keep your smartphone or tablet nearby. We have added video links to help you through the more technical sections. If you are unfamiliar or uncomfortable with wiring, contact a qualified electrician. We also provide telephone support at 1.888.830.1326 or visit us at HunterFan.com.



**READ and SAVE These Instructions**

**⚠ WARNING**



### Warning

- w.1 - To reduce the risk of fire, electrical shock, or personal injury, mount fan directly from building structure and/or an outlet box marked acceptable for fan support of 70 lbs (31.8 kg) and use the mounting screws provided with the outlet box.
- w.2 - To avoid possible electrical shock, before installing or servicing your fan, disconnect the power by turning off the circuit breakers to the outlet box and associated wall switch location. If you cannot lock the circuit breakers in the off position, securely fasten a prominent warning device, such as a tag, to the service panel.
- w.3 - To reduce the risk of electric shock, this fan must be installed with an isolating wall control/switch.
- w.4 - To reduce the risk of personal injury, do not bend the blade brackets when installing the blade brackets, balancing the blades, or cleaning the fan. Do not insert foreign objects in between rotating fan blades.

### Caution

- c.1 - All wiring must be in accordance with national and local electrical codes ANSI/NFPA 70. If you are unfamiliar with wiring, use a qualified electrician.
- c.2 - Use only Hunter replacement parts.
- c.3 - To reduce the risk of personal injury, do not bend the blade attachment system when installing, balancing, or cleaning the fan. Never insert foreign objects between rotating fan blades.
- c.4 - To reduce the risk of fire, electrical shock, or motor damage, do not use a solid-state speed control with this fan. Use only Hunter speed controls.
- c.5 - Wash your hands after your fan installation is complete.
- c.6 - Use only with light kits marked suitable for damp locations.

This product conforms to UL Standard 507  
and is certified to STD C22.2 No.113..



Here are the tools you'll need to complete your installation:



Ladder



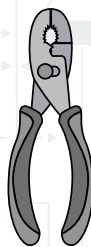
#1

Screwdriver

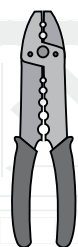


#2

Screwdriver



Pliers

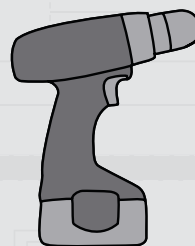


Wire Strippers



Socket Wrench

For mounting to a support structure, you will also need these tools.



Drill



11/64" Drill Bit

© 2021 Hunter Fan Company  
7130 Goodlett Farms Pkwy, Suite 400  
Memphis TN 38016

## Here is what comes in your box:

We recommend that you pull everything out of the box and lay it out. We have grouped the drawn components below with the hardware you'll need for those parts. The screws below are drawn to scale to make it easier to identify what piece of hardware is needed to install each component.

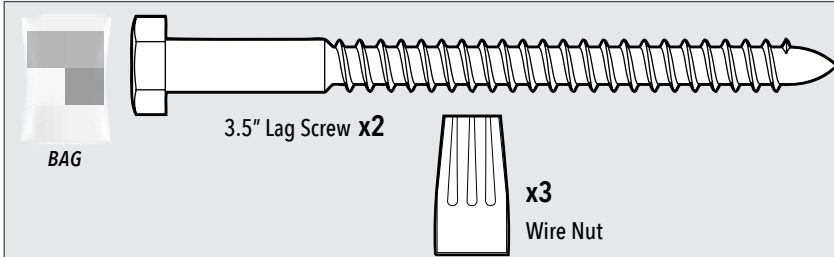
### Installing Multiple Fans?

If you are installing more than one fan, keep the blades and blade irons in sets as they were shipped.

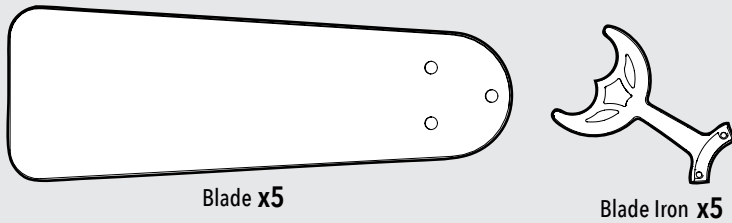
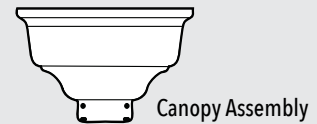
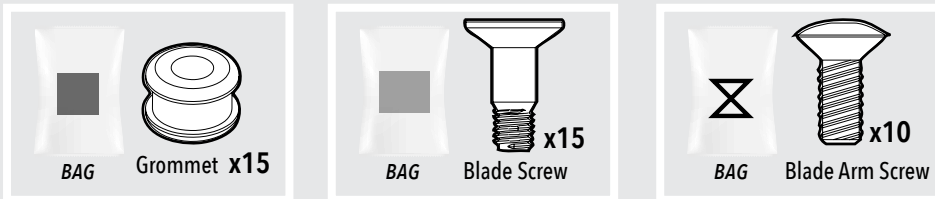
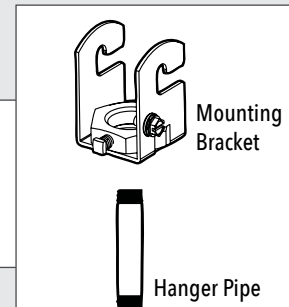
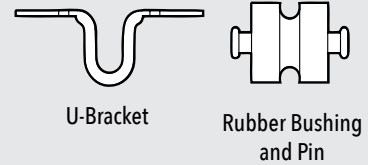
### Hunter Pro Tip:



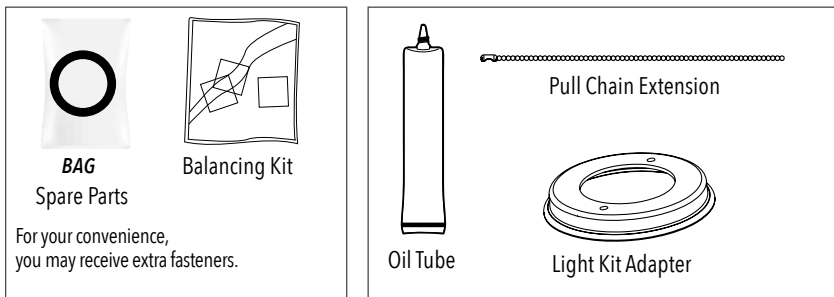
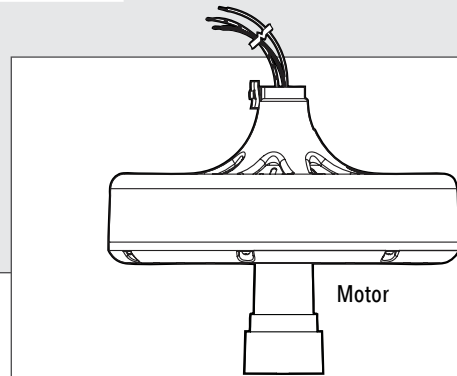
Do not discard the hardware bags or mix parts from different bags. Make note of the symbol printed on each hardware bag. The symbols can be used to identify the appropriate hardware for each step.



For installing the hanger bracket and wiring the fan



For installing the blades

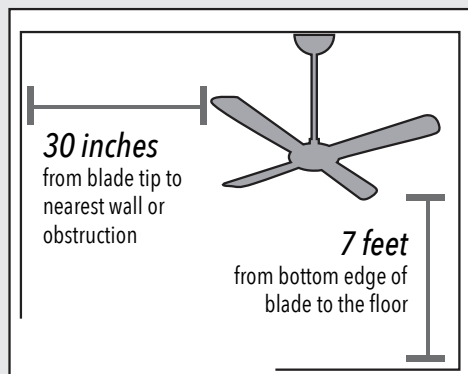


Find a part that is missing or damaged? Don't take it back to the store. Let us make it right. Visit us at [HunterFan.com](http://HunterFan.com) or call us at 1.888.830.1326.

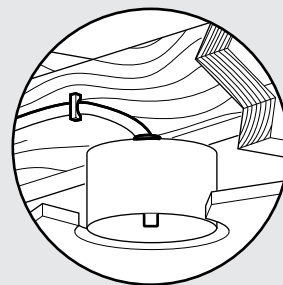
## Choosing the Right Installation Location

You probably bought this fan with a location in mind. Let's check below to make sure it is a good fit.

### Check the room dimensions:



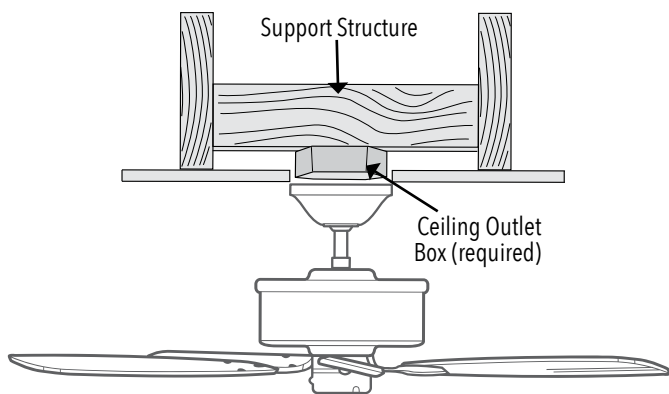
### Check the outlet box:



You must be able to secure the fan to building structure or fan-rated outlet box.

## Checking the Ceiling Angle:

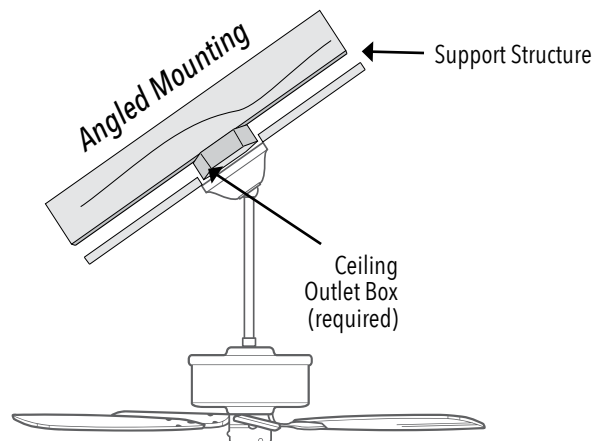
### Standard Mounting



#### If you have a flat ceiling:

Hang your fan by a standard downrod. Some fans come with a shorter downrod for a Low Profile installation.

### Angled Mounting



#### If you have an angled or vaulted ceiling:

1. You will need a longer downrod. (sold separately at [HunterFan.com](http://HunterFan.com))
2. If your ceiling angle is greater than 34°, you will also need an Angled Mounting Kit. (Sold separately at [HunterFan.com](http://HunterFan.com))

## Angled Mounting

### A little more information on Angled Mounting:

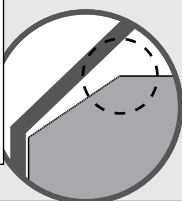
For optimum performance and appearance, a longer downrod should be used with your Hunter ceiling fan when installing on high or angled ceiling. If your ceiling is angled greater than 34° you will also need an Angled Mounting Kit. Longer downrods and the Angled Mounting Kit are sold separately at [HunterFan.com](http://HunterFan.com).

#### Hunter Pro Tip:

##### Determining if you need an Angled Mounting Kit:

Fold on the dotted line. Place against edge against the wall. Slide towards the ceiling.

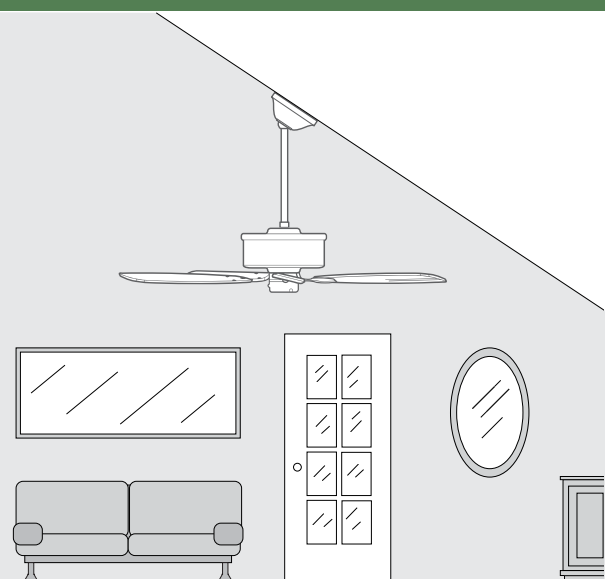
If the guide touches the wall but not the ceiling, you need an angled mounting kit.



WALL

34°

CEILING

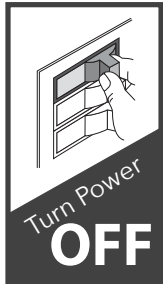


## Installing the Ceiling Hardware

Remove any existing bracket prior to installation. Only use the provided Hunter ceiling bracket that came in your fan's box.

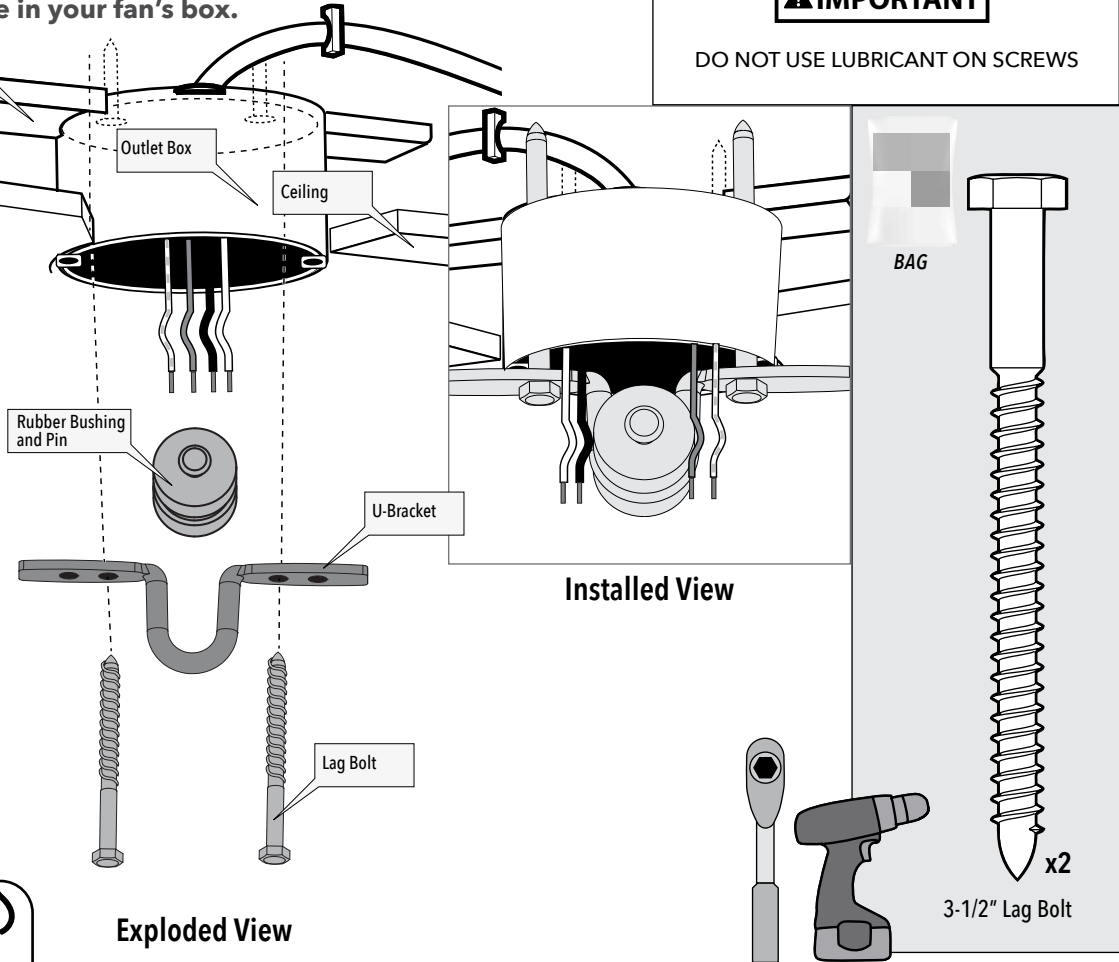
**IMPORTANT**

DO NOT USE LUBRICANT ON SCREWS



Do this first!

Drill two (2) 11/64" diameter holes 2-9/16" apart through the back of the outlet box into the cross brace 2" deep. These holes are for the U-bracket bolts. Install rubber bushing and pin into the U-bracket. Use a 11 mm wrench to install the (2) 3 1/2" lag bolts, found in the hardware bag, to secure the U-bracket to the joist



**WARNING** To avoid possible electrical shock, before installing your fan, disconnect the power by turning off the circuit breakers to the outlet box associated with the wall switch location.

## Hanging the Fan

**IMPORTANT**

TO SECURELY HANG THE FAN, CAREFULLY FOLLOW THE STEPS ON PAGES 7 AND 8. BE SURE TO TIGHTEN THE HANGER PIPE INTO THE FAN AND THE HANGER BRACKET ONTO THE PIPE. TIGHTEN THE 2 SET SCREWS, AS DESCRIBED IN STEP 7, TO PREVENT THE FAN FROM FALLING. YOUR FAN MAY WEIGH UP TO 50 LBS. ALL OF THE FOLLOWING STEPS MUST BE FOLLOWED IN ORDER TO ENSURE A SECURE MOUNTING.

**STEP 1**

Feed the wires from the top of the fan motor through the hanger pipe

**STEP 2**

Loosen the motor housing set screw (do not completely remove from the fan) in the neck of the fan motor housing.

**STEP 3**

Screw the pipe into the fan until tight (at least 4-1/2 turns)

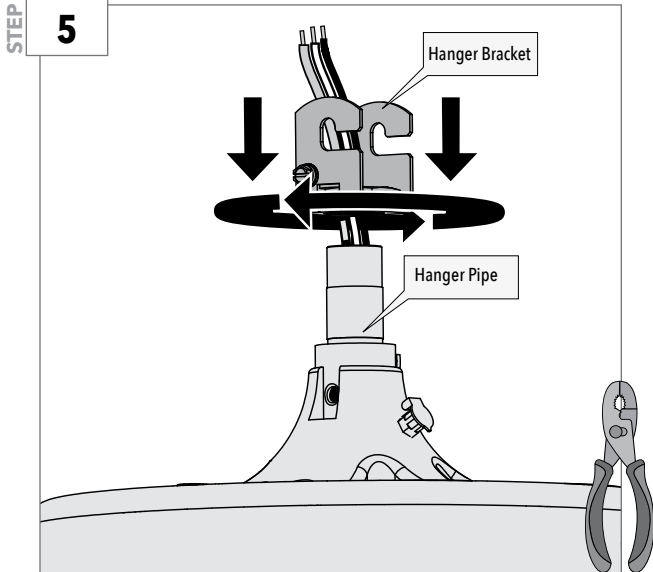
**STEP 4**

Excess wiring can be cut, but leave at least 8" extending from the top of the hanger pipe. **NOTE:** Some of the pipe threads may still be visible

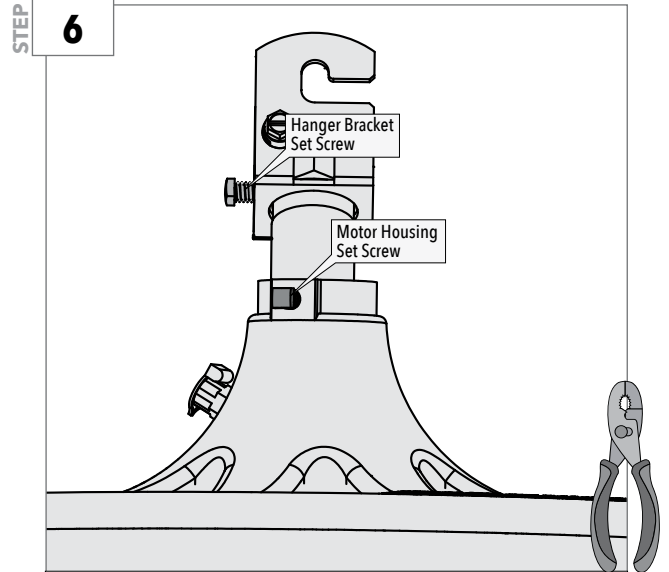
# Hanging the Fan

## IMPORTANT

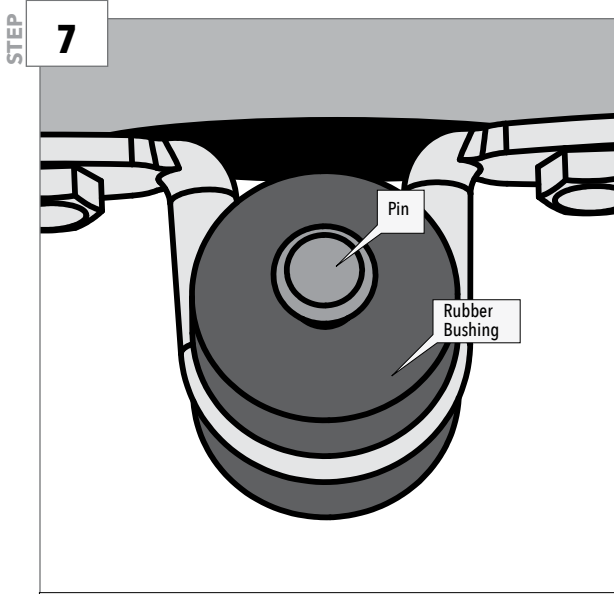
TO SECURELY HANG THE FAN, CAREFULLY FOLLOW THE STEPS ON PAGES 7 AND 8. BE SURE TO TIGHTEN THE HANGER PIPE INTO THE FAN AND THE HANGER BRACKET ONTO THE PIPE. TIGHTEN THE 2 SET SCREWS, AS DESCRIBED IN STEP 7, TO PREVENT THE FAN FROM FALLING. YOUR FAN MAY WEIGH UP TO 50 LBS. ALL OF THE FOLLOWING STEPS MUST BE FOLLOWED IN ORDER TO ENSURE A SECURE MOUNTING.



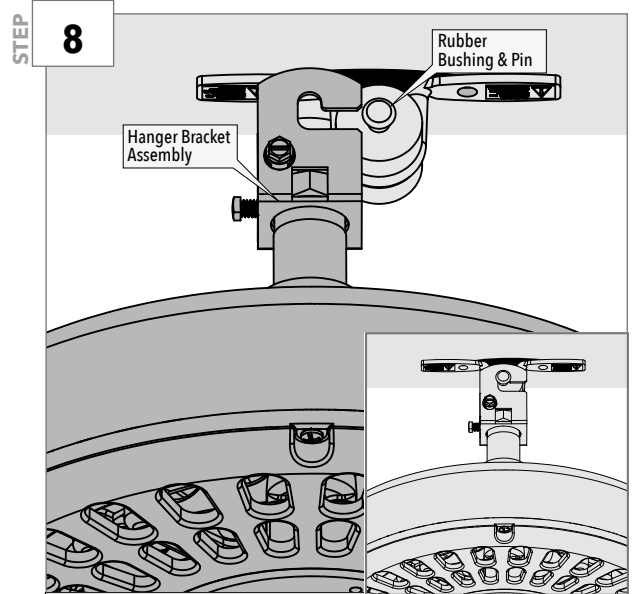
Back out the set screw on the hanger bracket. Feed the wires through the hanger bracket assembly and screw the hanger bracket onto the hanger pipe until tight (at least 3 turns). Use pliers to tighten both the hanger bracket assembly and the hanger pipe together.



Tighten the set screw in the motor housing and the hanger bracket assembly  
NOTE: Some of the pipe threads may still be visible.



Be sure that the pin is centered in the rubber bushing.



Lift the fan by the motor housing. Hook the hanger bracket assembly onto the rubber bushing and pin. Ensure both ends of the pin are outside the hanger bracket assembly

**WARNING**  
Never lift the motor by the wires. Let motor rest in the carton liner for protection.

**WARNING**  
**FAN FALL HAZARD**  
To prevent *SERIOUS INJURY* or *DEATH*:  

- ALWAYS tighten setscrew with pliers.
- DO NOT hand tighten setscrew.

## We know wiring is hard. Let's make it easier.


Follow these steps to get your fan wired quickly and safely. Follow the route below that best matches your wall switch setup. If you are unfamiliar with wiring or uncomfortable doing it yourself, please contact a qualified electrician. Wall switches are not included. Select an acceptable general-use switch in accordance with national and local electrical codes.

You are going to need these:

4 Wire Nuts (these are in the ★ bag)



**Have a single switch?**  
Follow these steps:

**⚠ WARNING** 

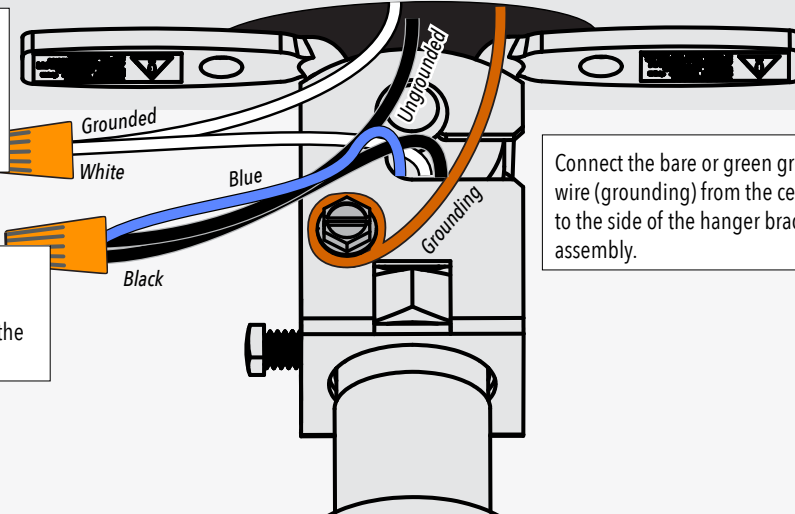
To avoid possible electrical shock, before installing your fan, disconnect the power by turning off the circuit breakers to the outlet box associated with the wall switch location.

**Hunter Pro Tip:**

**Here is how to connect the wires:**  
Push the bare metal ends of the wires together and slide a wire nut over them. Then, twist the wire nut clockwise until tight. **Give it a gentle pull to make sure none of the wires are loose.**



Connect the white (grounded) wire from the ceiling to the white wire from the fan.



Connect the black wire (ungrounded) from the ceiling to the black and the blue wires from the fan.

Connect the bare or green ground wire (grounding) from the ceiling to the side of the hanger bracket assembly.

**⚠ WARNING** 

The ceiling fan must be grounded. If the ground wire for the installation site is not present, immediately **STOP** installation and consult a qualified electrician.

**⚠ WARNING** 

All wiring must be in accordance with national and local electrical codes ANSI/NFPA 70. If you are unfamiliar with wiring or in doubt, consult a qualified electrician.

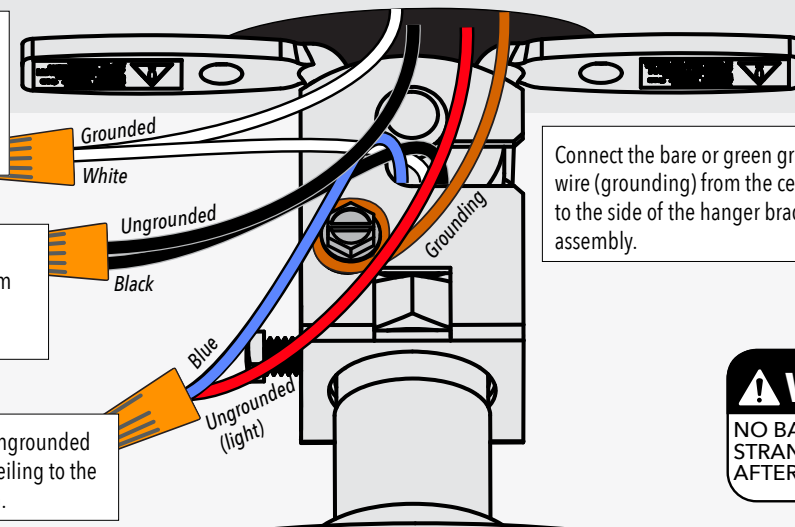
**Hunter Pro Tip:**

**Have extra wiring?**  
Turn the wires upward and push them carefully back through the hanger bracket into the outlet box. Spread the wires apart, with the grounded wires on one side of the outlet box and the ungrounded wires on the other side of the outlet box. Make sure that the wires are still attached to the wire nuts.



**Have dual switches?**  
Follow these steps:

Connect the white (grounded) wire from the ceiling to the white wire from the fan.



Connect the black (ungrounded) wire from the ceiling to the black wire from the fan.

Connect the second ungrounded (light) wire from the ceiling to the blue wire from the fan.

Connect the bare or green ground wire (grounding) from the ceiling to the side of the hanger bracket assembly.



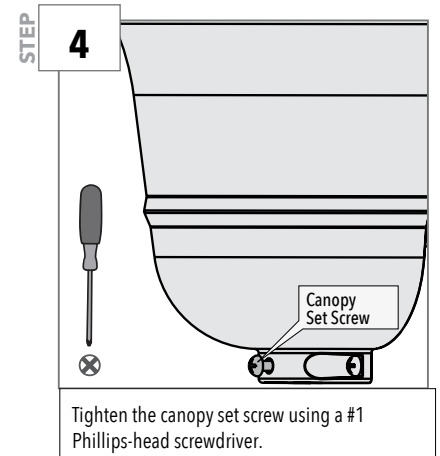
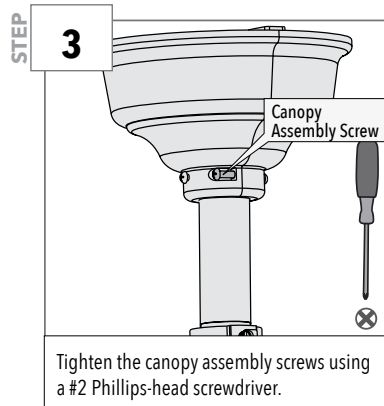
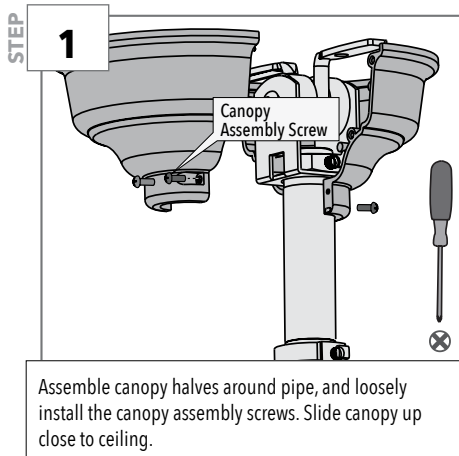
**⚠ WARNING**

NO BARE WIRES OR WIRE STRANDS SHOULD BE VISIBLE AFTER MAKING CONNECTIONS.

## Installing the Canopy

### IMPORTANT

Your canopy comes pre-assembled. Uninstall the canopy screws using a #1 Phillips-head screwdriver and separate the two halves of the canopy before continuing to step 1.



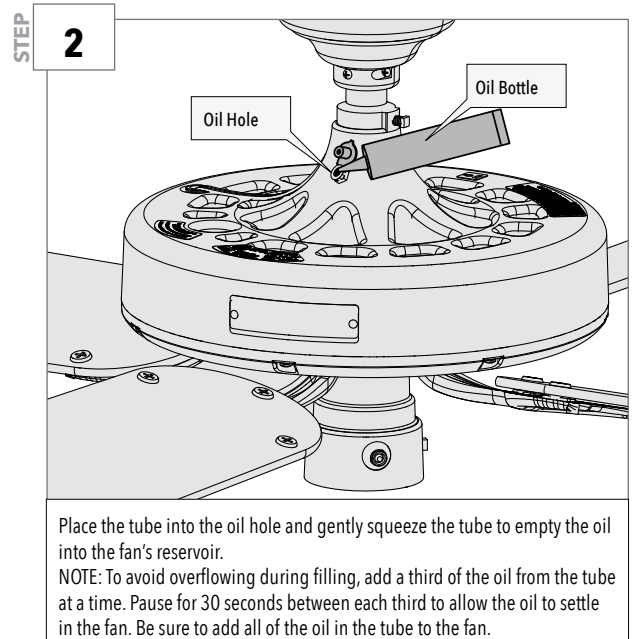
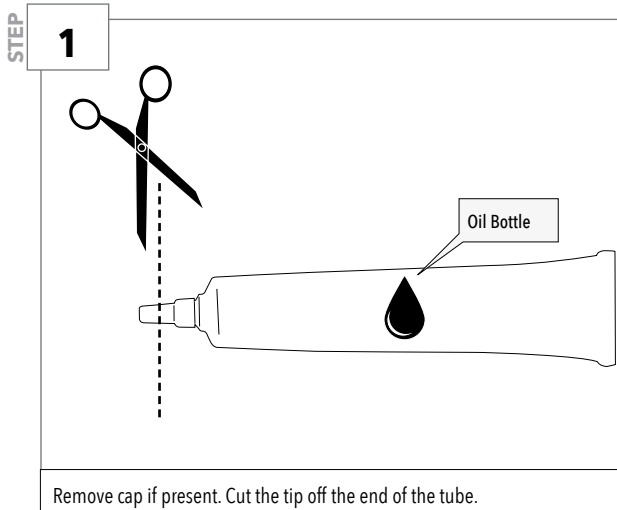
## Lubrication

### IMPORTANT

DO NOT TURN FAN ON UNTIL LUBRICATION HAS BEEN ADDED. TO OPERATE THE FAN WITHOUT OIL OR WITH LOW OIL WILL VOID YOUR WARRANTY.

#### Note:

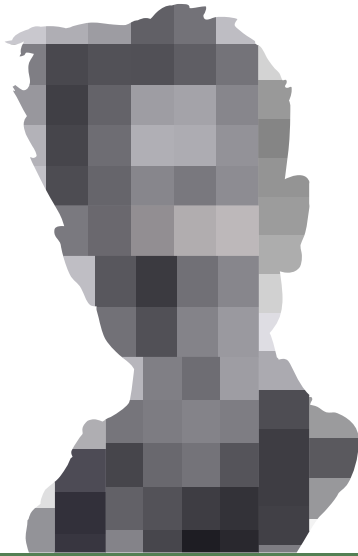
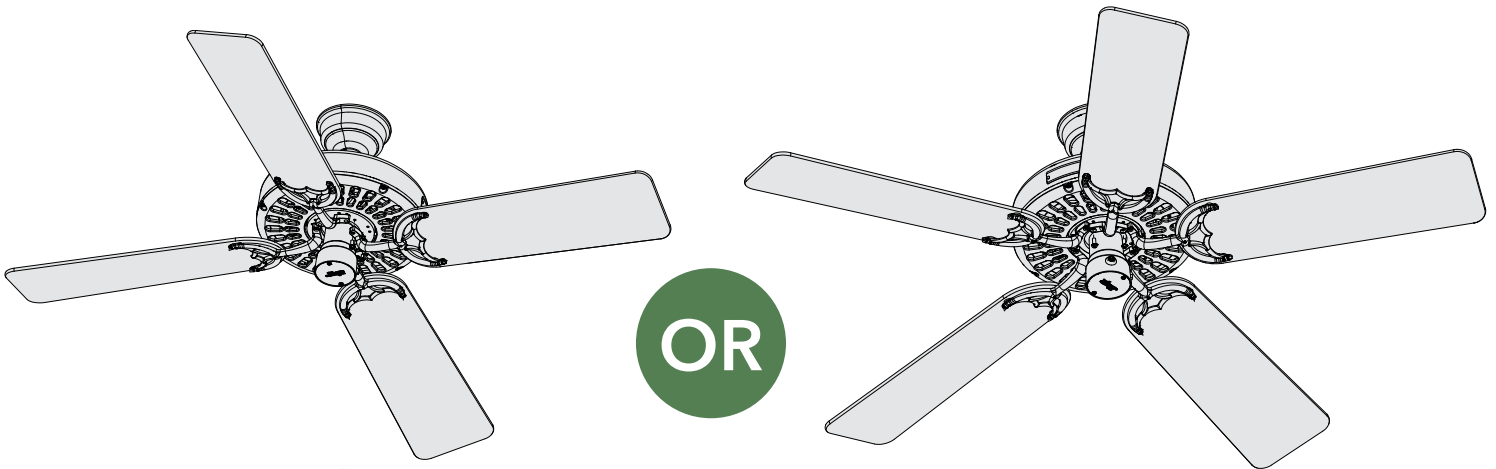
Your fan has been shipped without oil in the motor. A tube of high grade SAE 10 non-detergent oil is packaged in the hardware bag.



### Your Original Hunter's Unique Lubricating System

The bearings in your Hunter Original Ceiling Fan are submerged in oil, which lubricates all bearing surfaces as the fan operates. We recommend periodically checking the oil to ensure the correct level is maintained. This unique lubrication system is one reason why your Hunter Original Ceiling Fan will last a lifetime.

## Choose How Many Fan Blades You Want

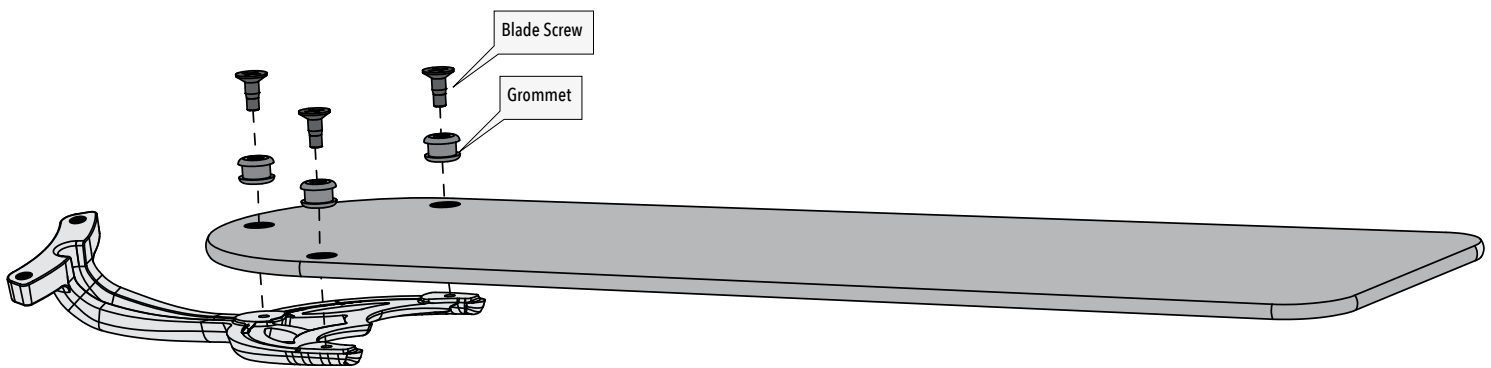



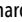
### Choose 4 or 5 Blade Installation


You have a piece of Hunter's history in your space. Choose how you want its story to unfold. For 135 years, the four bladed installation option has provided the historic look of the Original. Install it with five blades for a fresh take that's still familiar.

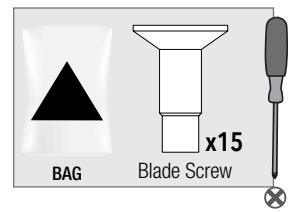
### Fan Blade Assembly

First lets construct the blades.

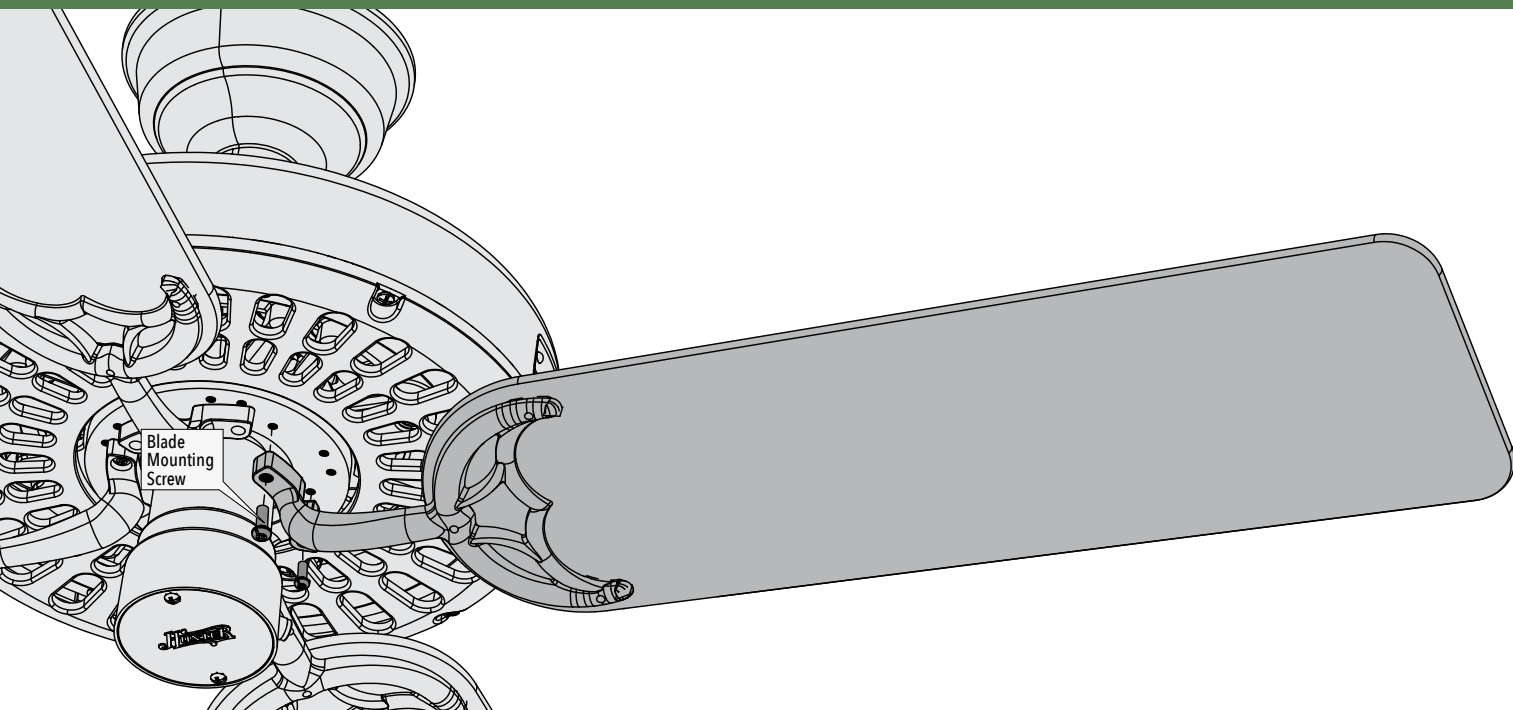


Insert grommets found in the  hardware bag into the holes in the blades, then secure each blade to a blade arm with screws found in the  hardware bag.

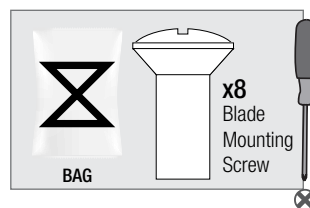
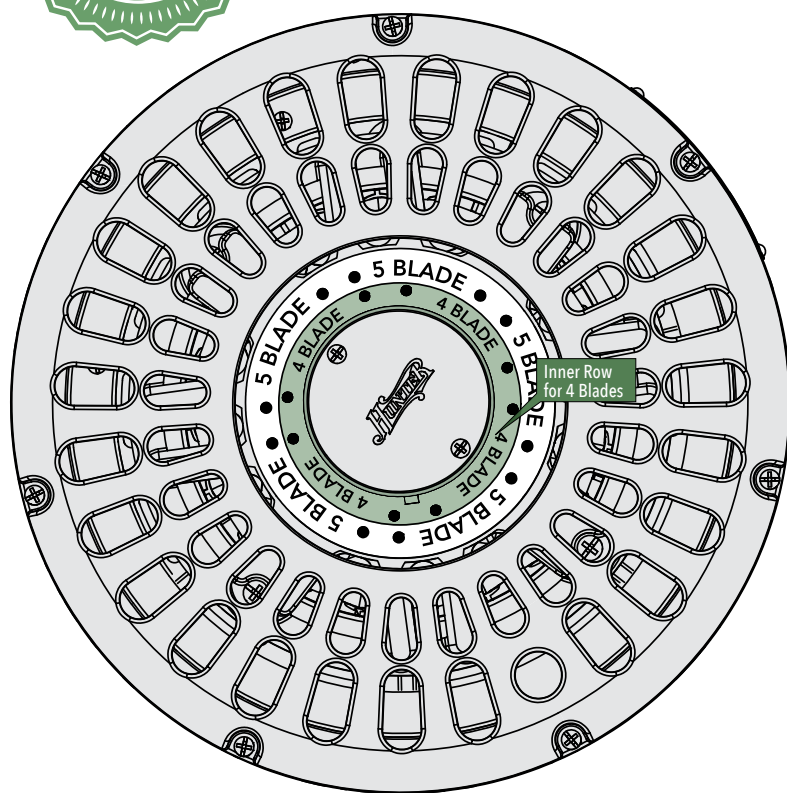
Repeat x 4  x5



# Installing the Blades: HISTORIC 4 Blade Configuration



## HISTORIC Four Blade Configuration



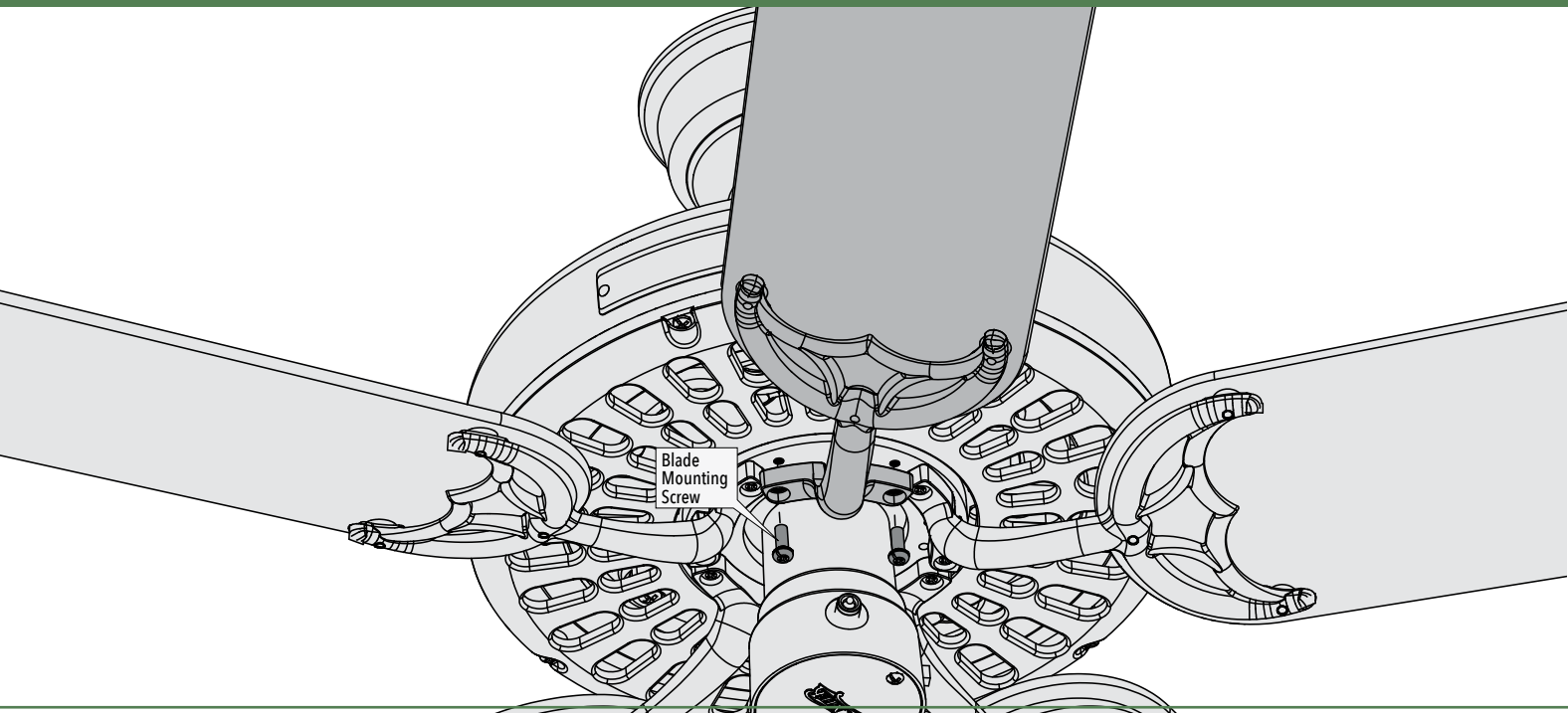
For four blades, use the inner row. For each blade, insert one blade mounting screw, found in the X hardware bag, through the blade iron, and attach lightly to the fan. Insert the second blade mounting screw, then securely tighten both mounting screws

**Repeat x 4**

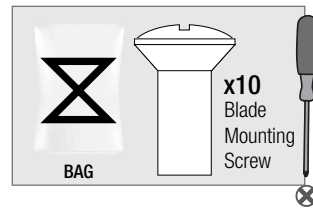
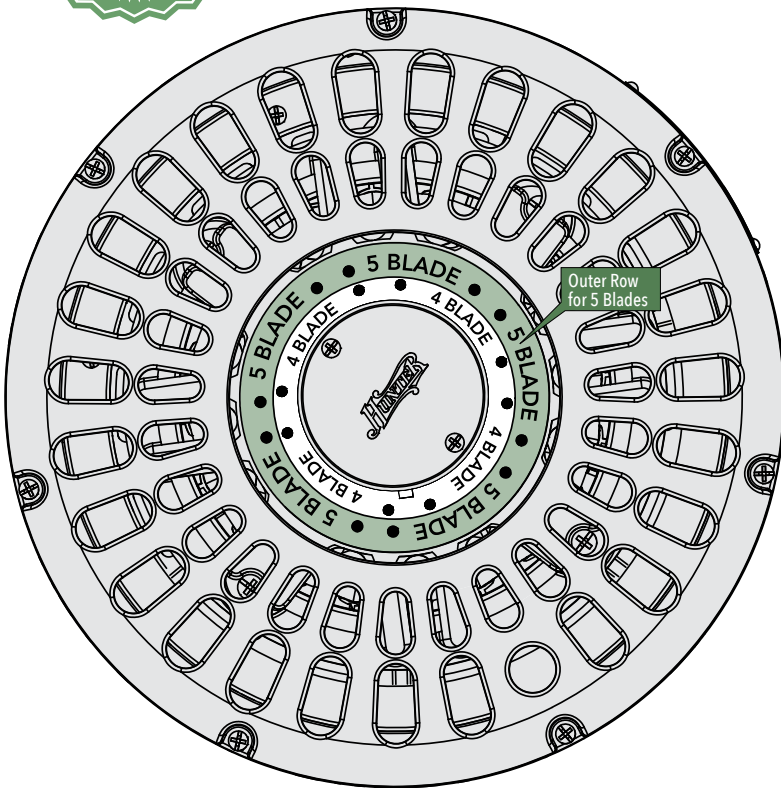
### NOTICE

TO REDUCE THE RISK OF PERSONAL INJURY, DO NOT BEND THE BLADE BRACKETS WHEN INSTALLING THE BRACKETS, BALANCING THE BLADES, OR CLEANING THE FAN. DO NOT INSERT FOREIGN OBJECTS IN BETWEEN ROTATING FAN BLADES.

# Installing the Blades: CLASSIC 5 Blade Configuration



## CLASSIC Five Blade Configuration



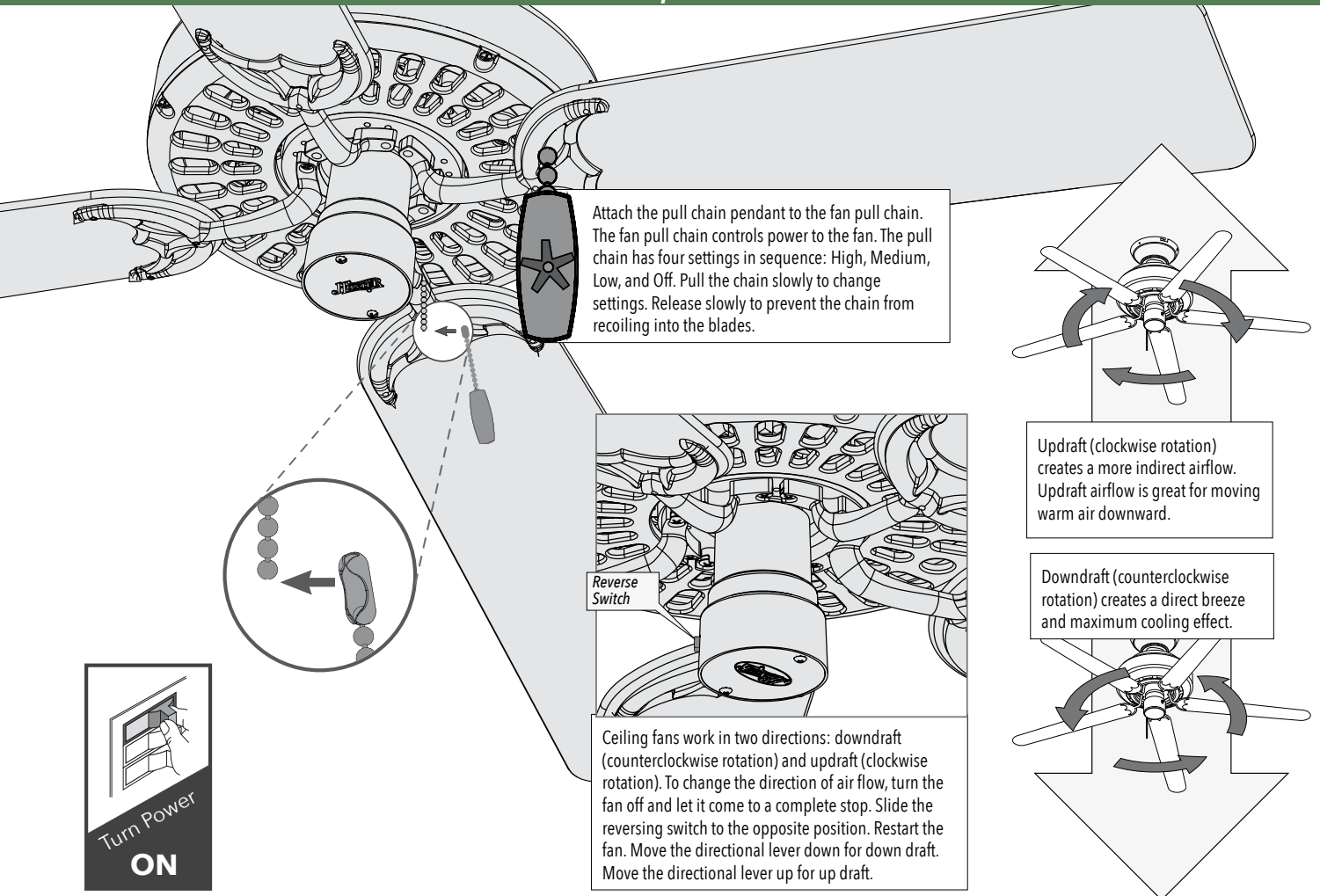
For five blades, use the outer row. For each blade, insert one blade mounting screw, found in the X hardware bag, through the blade iron, and attach lightly to the fan. Insert the second blade mounting screw, then securely tighten both mounting screws

**Repeat x 5**

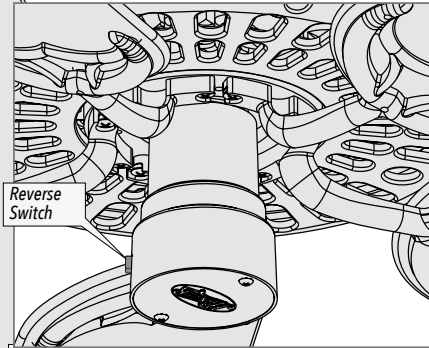
### NOTICE

TO REDUCE THE RISK OF PERSONAL INJURY, DO NOT BEND THE BLADE BRACKETS WHEN INSTALLING THE BRACKETS, BALANCING THE BLADES, OR CLEANING THE FAN. DO NOT INSERT FOREIGN OBJECTS IN BETWEEN ROTATING FAN BLADES.

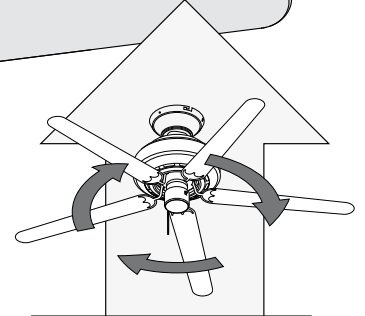
## Fan Operation



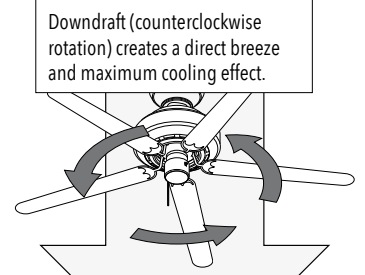
Attach the pull chain pendant to the fan pull chain. The fan pull chain controls power to the fan. The pull chain has four settings in sequence: High, Medium, Low, and Off. Pull the chain slowly to change settings. Release slowly to prevent the chain from recoiling into the blades.



Ceiling fans work in two directions: downdraft (counterclockwise rotation) and updraft (clockwise rotation). To change the direction of air flow, turn the fan off and let it come to a complete stop. Slide the reversing switch to the opposite position. Restart the fan. Move the directional lever down for down draft. Move the directional lever up for up draft.

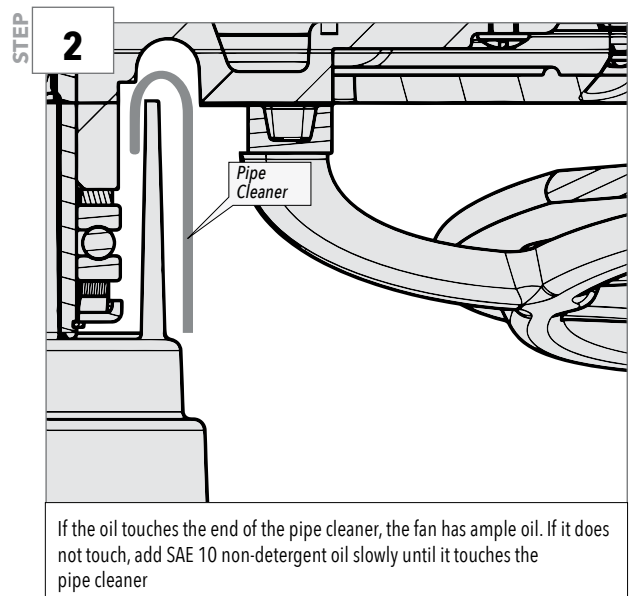
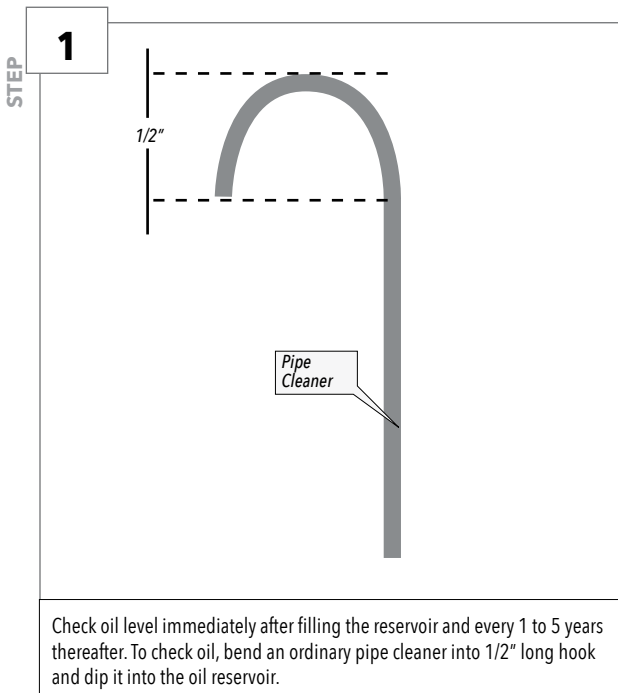


Updraft (clockwise rotation) creates a more indirect airflow. Updraft airflow is great for moving warm air downward.



Downdraft (counterclockwise rotation) creates a direct breeze and maximum cooling effect.

## Checking Oil



### ▲ IMPORTANT

DO NOT TURN FAN ON UNTIL LUBRICATION HAS BEEN ADDED. TO OPERATE THE FAN WITHOUT OIL OR WITH LOW OIL WILL VOID YOUR WARRANTY.

## Fan Doesn't Work

- Make sure power switch is on.
- Pull the pull chain to make sure it is on.
- Push the motor reversing switch firmly left or right to ensure that it is engaged.
- Check the circuit breaker to ensure the power is turned on.
- Make sure the blades spin freely. **Note:** If the blades will not turn by hand, contact your nearest service representative or dealer.
- Turn off power from the circuit breaker, then loosen the canopy and check all the connections according to the wiring diagram.

## Excessive Wobbling

- Tighten the blade assembly screws and blade iron screws until they are snug.
- Ensure the fan is secured properly to the hanger assembly.
- Use the provided balancing kit and instructions to balance the fan.

## Noisy Operation

- Tighten the blade assembly screws and blade iron screws until they are snug.
- Check to see if any of the blades are cracked. If so, replace all the blades.
- Lower the canopy so it does not make contact with the ceiling.
- Check the oil level and add oil if required (see page 13 for details).

## Fan Only Operates at Slow Speeds

- Contact your nearest service representative or dealer.

### Hunter Pro Tip:

#### Cleaning the Fan

For cleaning finishes, use a soft brush or lint-free cloth to prevent scratching. A vacuum cleaner brush nozzle can remove heavier dust. Remove surface smudges or accumulated dirt and dust using a mild detergent and a slightly dampened cloth. You may use an artistic agent, but never abrasive cleaning agents as they will damage the finish. Clean wood finish blades with a furniture polishing cloth. Occasionally, apply a light coat of furniture polish for added protection and beauty.

## Limited Lifetime Warranty

Hunter Fan Company grants this limited warranty to the original purchaser of this Hunter ceiling fan. This document can be found at [www.HunterFan.com](http://www.HunterFan.com).

Thank you for choosing Hunter!

### How Can Warranty Service Be Obtained?

**Proof of purchase is required** when requesting warranty service. The original purchaser must present a sales receipt or other document that establishes proof of purchase. Hunter, at its sole discretion, may accept a gift receipt. To obtain service, contact Hunter Fan Company online or by phone.

[www.HunterFan.com/Support/Contact-Us/](http://www.HunterFan.com/Support/Contact-Us/)  
1-888-830-1326

Please do not ship your fan or any fan parts to Hunter. Delivery will be refused.

### What Does This Warranty Cover?

#### Motor – Limited Lifetime Warranty

If any part of your ceiling fan motor fails during your ownership of the fan due to a defect in material or workmanship, as determined solely by Hunter, Hunter will provide you with a replacement fan free of charge.\* The foregoing limited warranty applies only to the motor itself and does not apply to electronic controls – such as remote control transmitters, remote control receivers, or capacitors – used in conjunction with the motor. Such electronic control items are included in the one-year limited warranty below.

#### Other – One-Year Limited Warranty

Except as otherwise indicated throughout this warranty, if any part of your Hunter ceiling fan fails at any time within one year of the date of purchase due to a defect in material or workmanship, as determined solely by Hunter, Hunter will provide a replacement part free of charge.\*

\* If no replacement product/part can be provided for your fan, we will provide a comparable or superior replacement product/part at the sole discretion of Hunter.

### What Does This Warranty NOT Cover?

**Labor Excluded.** This warranty does not cover any costs or fees associated with the labor (including electrician's fees) required to install, remove, or replace a fan or any fan parts. There is no warranty for light bulbs (except where otherwise noted); remote control batteries; fans purchased or installed outside the United States; fans owned by someone other than the original purchaser; fans for which proof of purchase has not been established; fans purchased from an unauthorized dealer; ordinary wear and tear; minor cosmetic blemishes; refurbished fans; and fans that are damaged due to any of the following: improper installation, misuse, abuse, improper care, failure to follow Hunter instructions, accidental damage caused by the fan owner or related parties, modifications to the fan, improper or incorrectly performed maintenance or repair, improper voltage supply or power surge, use of improper parts or accessories, failure to provide maintenance to the fan, or acts of God (e.g. flood). ORIGINAL PURCHASER'S SOLE AND EXCLUSIVE REMEDY FOR A CLAIM OF ANY KIND WITH RESPECT TO THIS PRODUCT SHALL BE THE REMEDIES SET FORTH HEREIN. HUNTER FAN COMPANY IS NOT RESPONSIBLE FOR CONSEQUENTIAL OR INCIDENTAL DAMAGES, DUE TO PRODUCT FAILURE, WHETHER ARISING OUT OF BREACH OF WARRANTY, BREACH OF CONTRACT, OR OTHERWISE. Some States do not allow the exclusion or limitation of incidental or consequential damages, so the above limitation or exclusion may not apply to you. ANY IMPLIED WARRANTIES OF MERCHANTABILITY OR FITNESS FOR A PARTICULAR PURPOSE APPLICABLE TO THIS PRODUCT ARE LIMITED IN DURATION TO THE PERIOD OF COVERAGE OF THE APPLICABLE LIMITED WARRANTIES SET FORTH ABOVE. Some States do not allow limitations on how long an implied warranty lasts, so the above limitation may not apply to you.

### How Does State Law Affect Warranty Coverage?

This warranty gives you specific legal rights. You may also have other rights which vary from state to state.