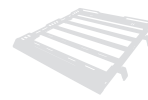


MAKE A DIFFERENCE







To view online instruction, please
• scan the QR code. •

CATALOG

BXG.3085-S Black

BXG.3086-S Silver

1

01-06



**Front Inner
Fender Liners**

2

09-13



**Rear Inner
Fender Liners**

Front Inner Fender Liners

FOR JEEP WRANGLER JL

BXG.3085-S Black

If you choose the silver inner fenders, refer to the black inner fenders for package contents and installation guidance.

CONTENTS



Qty	Part Name	Size(mm)	Picture
2	Button Bolt	M6*16	
12	Button Bolt	M6*25	
14	Button Bolt	M6*10	
16	Button Bolt	M4*8	
14	Flat Washer	M6*1.5*16	
22	Flange Hex Lock Nuts	M6	
16	Nylon Insert Lock Nut	M4	

ATTENTION • Please verify all parts are present and read instructions carefully before starting installation. Please feel free to contact your distributor if you have any kind of question about your purchase.

2 TOOLS REQUIRED

◆ Drive Ratchet Handle

◆ 10mm Wrench

◆ 4mm & 5mm Hex Bit Socket

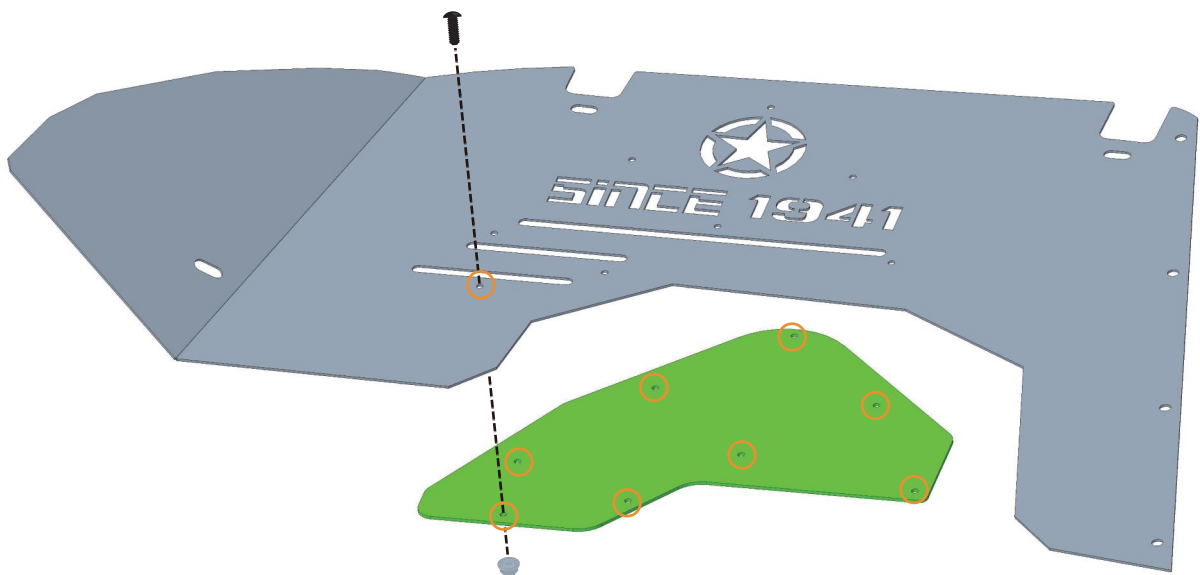
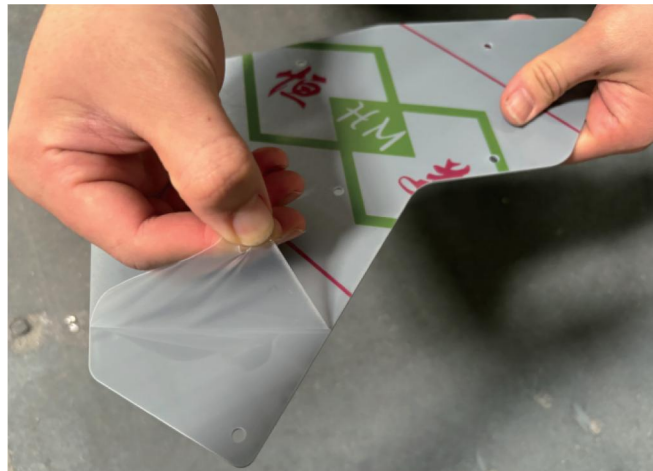
3 INSTALLATION INSTRUCTION

Driver Side Installation:

Step 1

Remove the plastic on the surface of the plate. Install the light grey plastic plate behind the "SINCE 1941" logo.

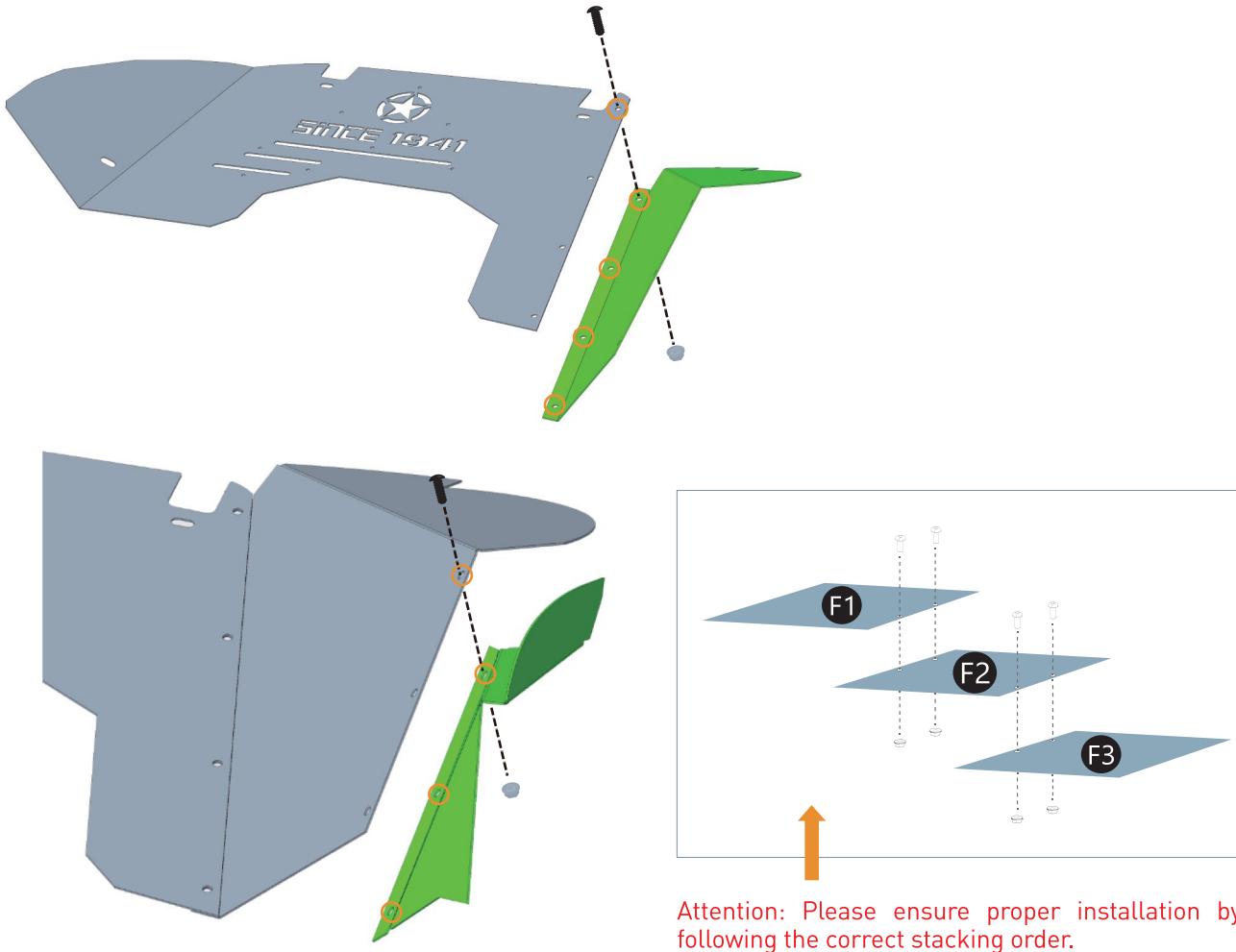
- (8) M4x8 Button Bolts
- (8) M4 Nylon Insert Lock Nuts



Step 2

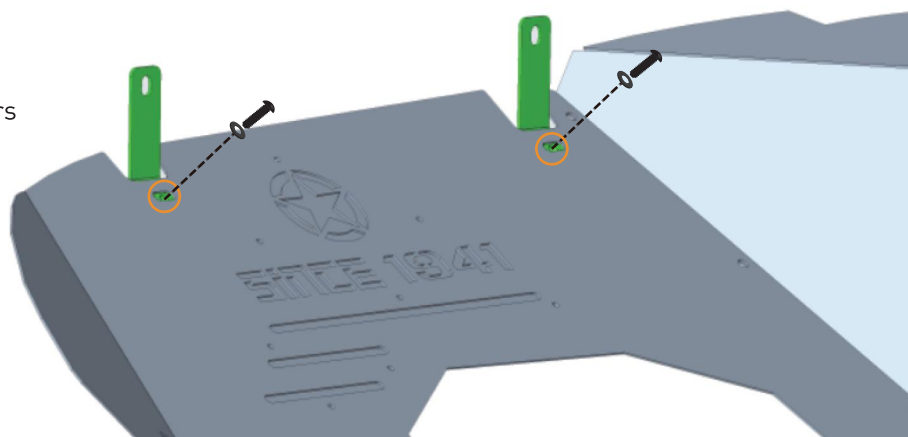
Assemble the front inner fender liners (F1, F2, F3).

- (7) M6x10 Button Bolts
- (7) M6 Flange Hex Lock Nuts

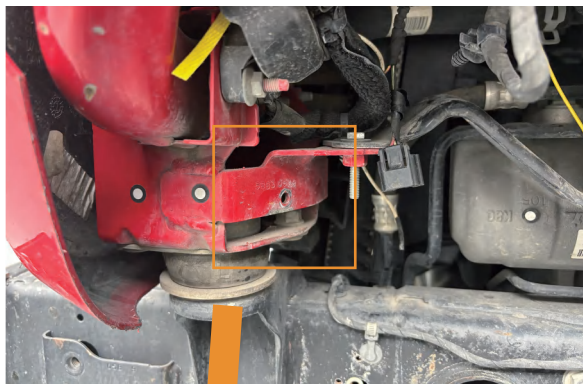
**Step 3**

Install the mounting brackets "2" to the front part (F1). Do not fully tighten to allow adjustability.

- (2) M6x25 Button Bolts
- (2) M6x16x1.5 Flat Washers



Remove the factory inner, find the factory holes(1,2,3,4).

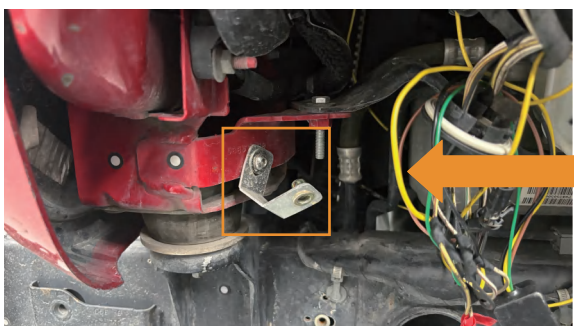


Install the mounting brackets "1" to the factory holes(1). **Do not fully tighten to allow adjustability.**

•(1) M6x16 Button Bolts

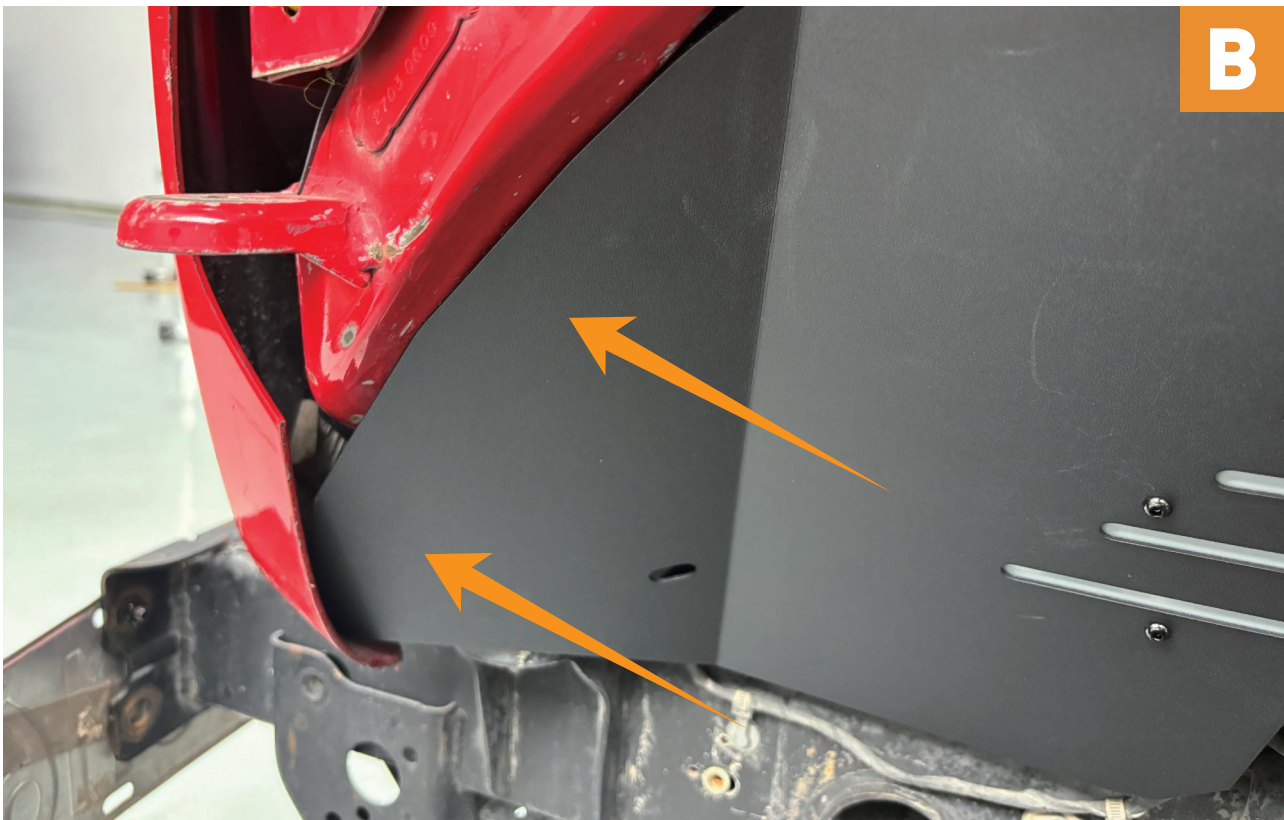
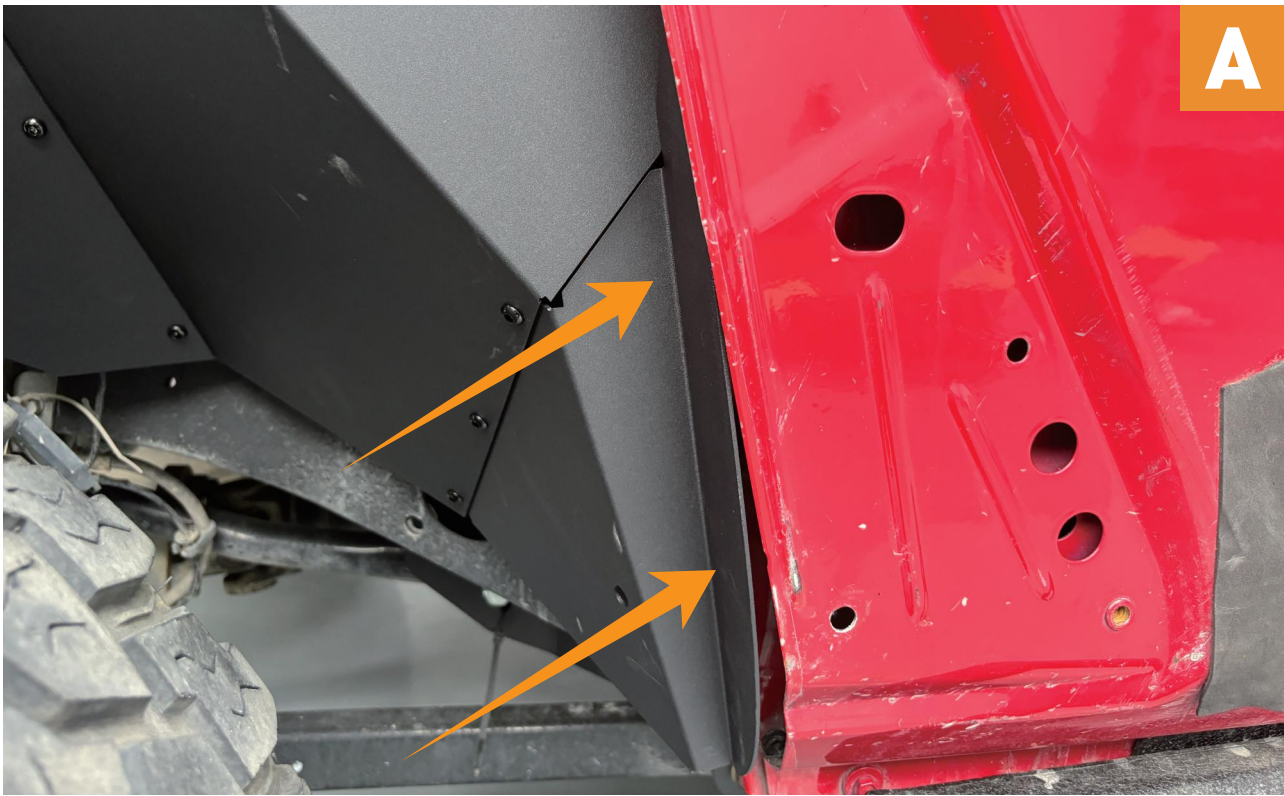
•(1) M6x16x1.5 Flat Washers

•(1) M6 Flange Hex Lock Nuts



Attention:After placing the inner fender liner, adjust the bracket direction and tighten the bolts.

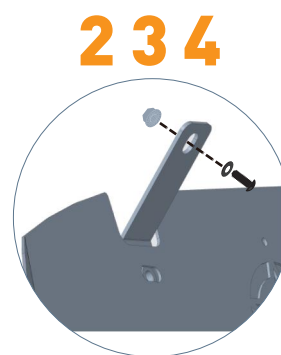
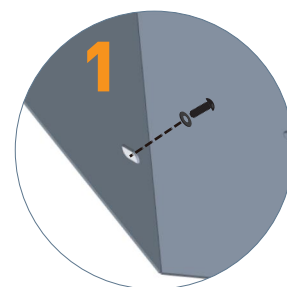
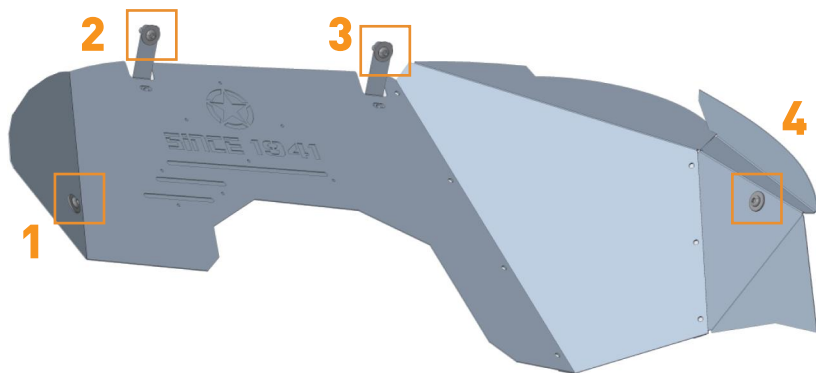
First, slide the right side into the vehicle (Photo A), then push the left side in (Photo B). Then, lift and adjust it to align with the mounting points.



Step 7

Install the factory holes (1), (2), (3), (4). Tighten all bolts.

- (4) M6x25 Button Bolts
- (4) M6x16x1.5 Flat Washers
- (3) M6 Flange Hex Lock Nuts

**Step 8**

Repeat all steps for passenger side.

Step 9

The installation is complete. We hope you enjoy a wonderful off-road life with this quality Hooke Road product!





SINCE 1941

SAHARA

MICKY THOMPSON
BAJA MTZ





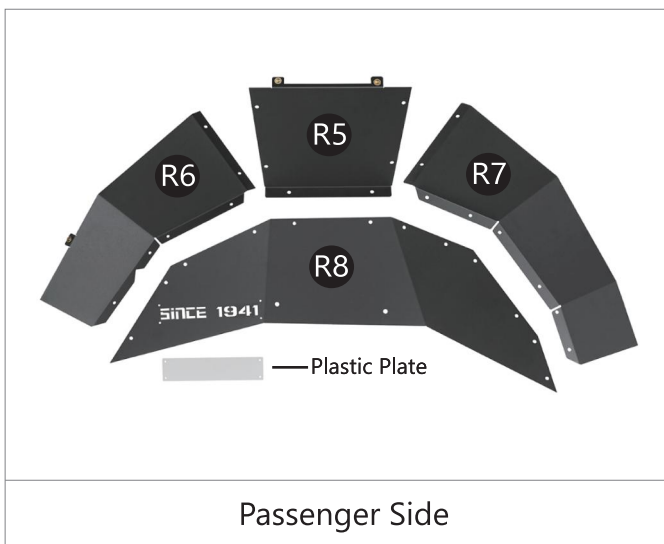
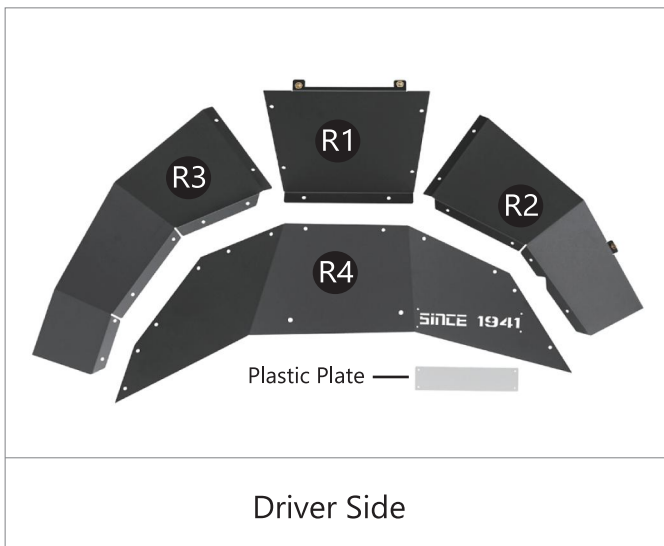
Rear Inner Fender Liners


FOR JEEP WRANGLER JL

BXG.3085-S Black

If you choose the silver inner fenders, refer to the black inner fenders for package contents and installation guidance.

CONTENTS



Qty	Part Name	Size(mm)	Picture
8	Button Bolts	M6*20	
4	Button Bolts	M6*25	
8	Button Bolts	M4*8	
32	Button Bolts	M6*10	
8	Nylon Insert Lock Nut	M4	
36	Flange Hex Lock Nuts	M6	
12	Flat Washer	M6*16*1.5	

ATTENTION • Please verify all parts are present and read instructions carefully before starting installation. Please feel free to contact your distributor if you have any kind of question about your purchase.

2 TOOLS REQUIRED

◆ Drive Ratchet Handle

◆ 10mm Wrench

◆ 4mm Hex Bit Socket

◆ 3mm Allen Wrench

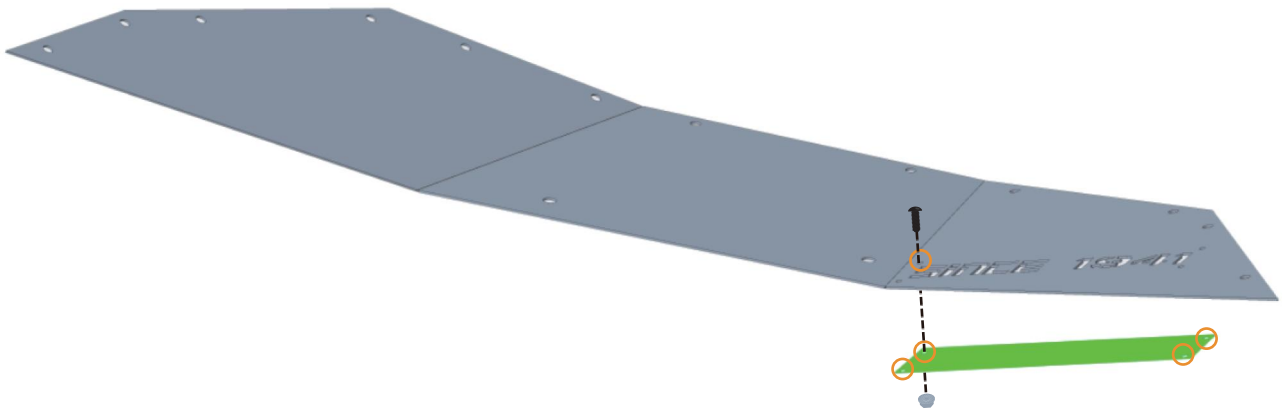
3 INSTALLATION INSTRUCTION

Driver Side (R1, R2, R3, R4) Installation:

Step 1

Remove the plastic on the surface of the plate. Install the light grey plastic plate (E) behind the "SINCE 1941" logo.

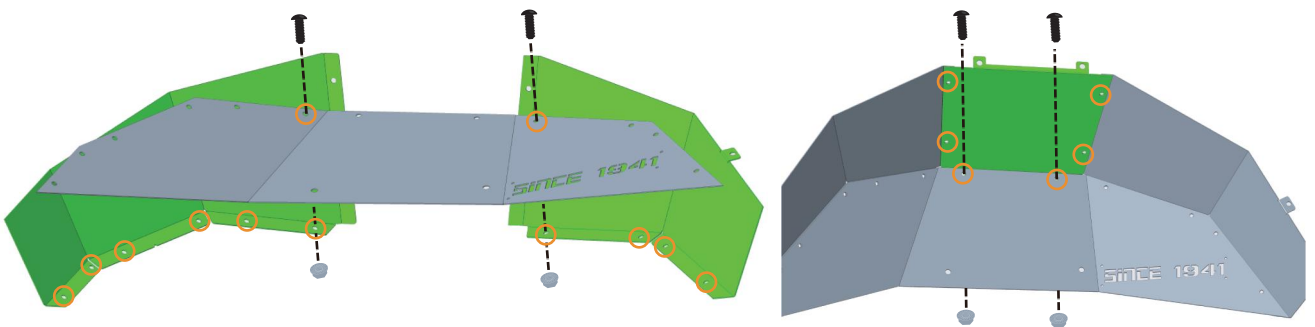
- (4) M4 Nylon Insert Lock Nuts
- (4) M4x8 Button Bolts



Step 2

Assemble the rear inner fender liners (R1, R2, R3, R4).

- (16) M6x10 Button Bolts
- (16) M6 Flange Hex Lock Nuts



Step 3

Remove the factory inner fender liners, find the factory holes(1, 2, 3, 4, 5).

**Step 4**

First, position the inner fender liner at the rear section. Then, lift and adjust it to align with the mounting points.



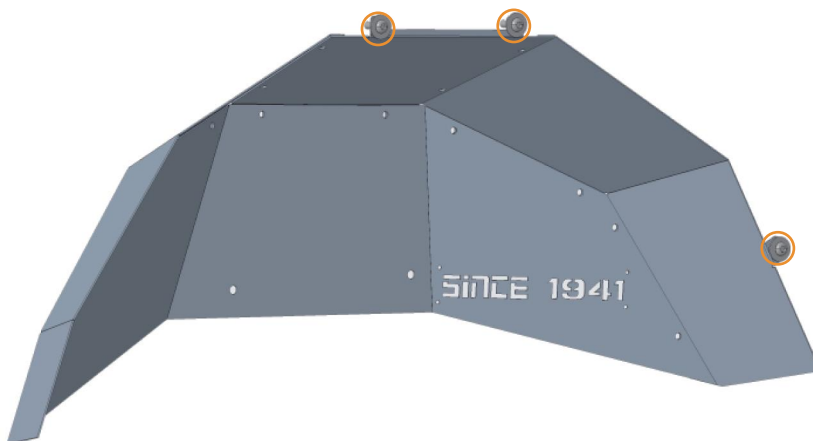
Secure the inner fender liner using factory holes (1), (2) and (3).

Do not fully tighten to allow adjustability.

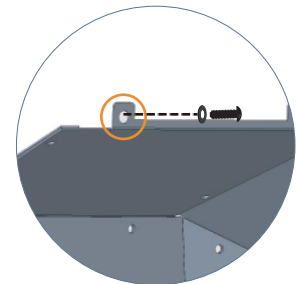
- (3) M6x20 Button Bolts
- (3) M6x16x1.5 Flat Washers



Use the provided M6 bolts and washers to pass through both the fender flare and inner fender. Please uninstall the rivet nuts if you have them in holes (1) and (2).



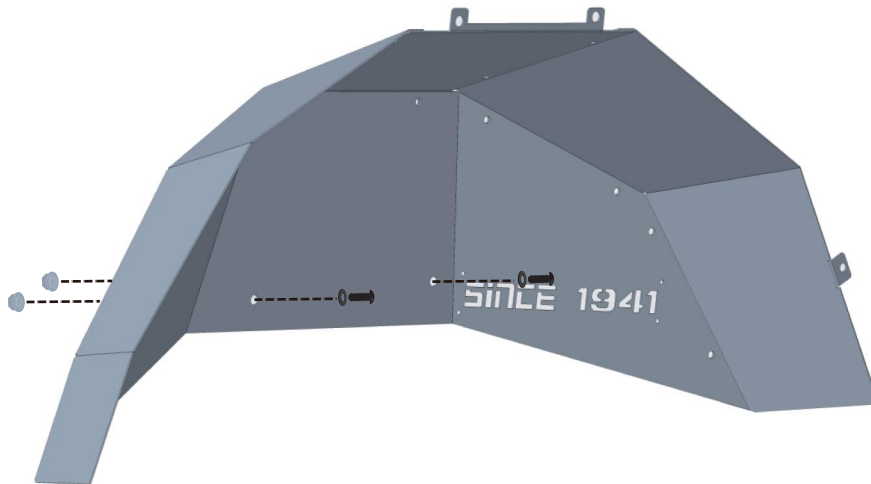
1 2 3



Step 6

Secure the inner fender liner using factory holes (4) and (5). Tighten all bolts.

- (2) M6x25 Button Bolts
- (2) M6x16x1.5 Flat Washers
- (2) M6 Flange Hex Lock Nuts

**Step 7**

Repeat all steps for passenger side.

Step 8

The installation is complete. We hope you enjoy a wonderful off-road life with this quality Hooke Road product!



Google **Hooke Road** to find your parts.

Feel Free To Share Your Vehicle [@HookeRoad4x4](#)
With The Hashtag [#hookeroad](#) If You'd Like



