

SMART IP CAMERA

Quick Start Guide V1.0



Operation Video



APP Download

Please read carefully before using

Operation Video

Viewing Method:
Scan the QR code below with your phone to learn about the detailed usage and operation of the product.



APP Download, Register and Login


Download method:
1. Scan the QR code below to download and install the 'Sulink' app.



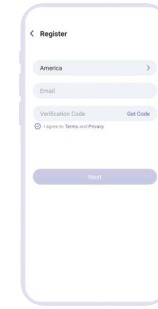
- Search for 'Sulink' app on the App Store or Google Play to download and install it.

Note: iOS 9.0 or later is required for iPhone devices; Android 5.1 or later is required for Android devices

- Account registration
(Confirm your region, then complete the registration following the app prompts or via a third-party account.)



1 Click Register



2 Confirm region and register an account

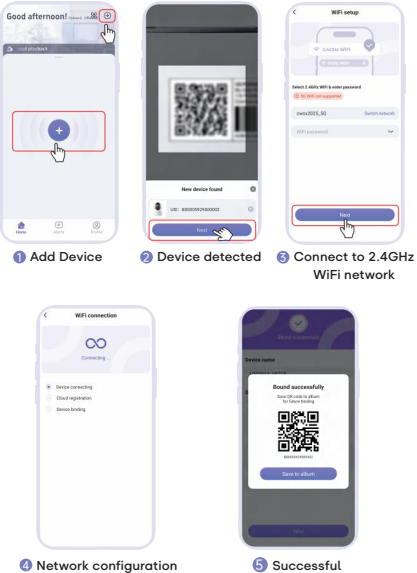
Add Device to the APP

- Press and hold the power button on the back of the camera for 1 to 2 seconds until the blue status indicator light turns on. The device will then power on with an audio prompt..

2. For optimal performance activation, charge it for 5 hours or more before first use. Disconnect the power supply promptly once charging is complete to avoid prolonged overcharging.

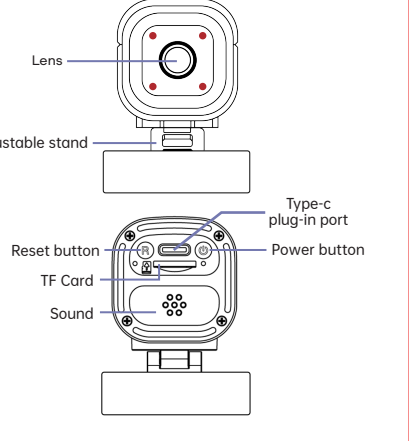
- Open the app, log in, and then tap the "+" icon on the interface or the one in the top-right corner. For WiFi devices: Ensure your phone's Bluetooth is enabled, and the app will automatically detect the device to complete pairing. During the network configuration, the blue indicator light blinks slowly. Upon successful configuration, the blue indicator light remains steadily on.

Attention: Currently, mobile phones must be connected to WiFi in the 2.4GHz frequency band, and do not choose WiFi with 5G names for networking. Unless the specified device explicitly supports both 2.4G and 5.8G.



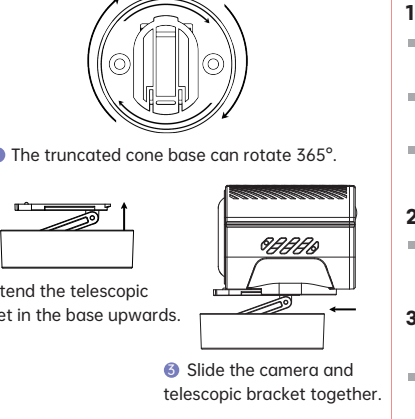
- Add Device
- Device detected
- Connect to 2.4GHz WiFi network
- Network configuration
- Successful

Product Introduction




Equipment status	Indicator light status	Equipment status	Indicator light status
Equipment started	Blue light indicator light	Equipment network configuration successful	Blue indicator light
Device system startup	The blue indicator light flashes slowly	Device network connection failed	Red and blue lights alternate
Equipment waiting for network connection	The blue indicator light flashes slowly	Device charging	The yellow indicator light flashes continuously

Product Introduction



- The truncated cone base can rotate 365°.
- Extend the telescopic bracket in the base upwards.
- Slide the camera and telescopic bracket together.



Card camera series operation video

Common Issues

- Why can't the device connect?**
 - Press and hold the reset button to reset the device before pairing.
 - Avoid special characters in your WiFi name and password (letters and numbers are preferred).
 - Move closer to the router, and avoid obstructions like walls.
- Low device battery life?**
 - Charge for 5+ hours before first use to activate the battery for optimal performance.
- The device fails to restart automatically after reset or firmware update**
 - If the device does not restart automatically following a reset or firmware update, press the power button to restart it manually.
- Device Firmware Update**
 - To ensure a stable power supply during the update process, perform the update while the charging cable is connected whenever possible.

- The device cannot be powered off while charging**
 - When the device is charging, it supplies power to both the battery and the system, and the device cannot be powered off at this time.
- Is there static/noise during two-way audio?**
 - Keep a minimum distance of 5 meters between your phone and the camera during two-way audio or video monitoring.
 - Install the camera as far away as possible from high-power electrical appliances.
- How to share the camera view with family members?**
 - Open the app, find and click the "share" button, and enter your family's account.

Note: The shared user must also download and register an account on the APP.

高清智能网络摄像机

快速操作指南 V1.0



(操作视频)



(APP下载)

使用前请仔细阅读快速操作指南并妥善保管

操作视频

查看方式:
手机扫描下方二维码, 可了解产品的详细使用操作



APP安装与账号注册登录

下载方式:
1. 手机扫描下方二维码, 下载安装"超维物联App"



- 手机应用市场或APP store搜索"超维物联"进行下载安装



注: 苹果手机系统要求iOS9.0以上, 安卓手机系统要求Android5.1以上

- 账号注册
(确认您的所在地区, 根据APP提示方式或第三方账号进行注册, 也可点击下方一键登录完成注册和登录)



1 点击注册



2 确认地区, 注册账号

APP添加设备

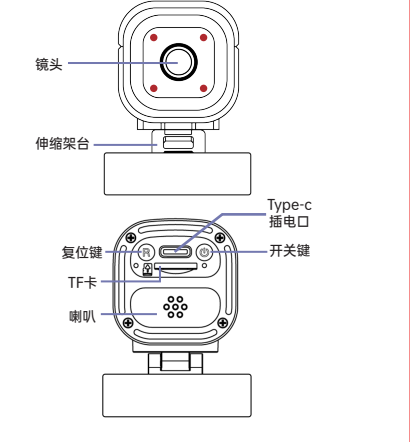
- 长按摄像头背后的开机按钮1~2秒, 蓝色状态指示灯亮, 设备启动并发出声音提示。
- 首次使用请充电达到5小时以上, 以激活电池最佳性能, 充电完成后请及时断开电源, 避免长时间过充。
- 打开APP, 登录后选择界面 "+" 或右上角 "+". 如添加WiFi设备, 请确保手机蓝牙打开后, 可以自动搜索到设备完成配对。配网过程中, 蓝色指示灯会慢闪烁, 配网成功后蓝色指示灯常亮配网注册约持续30秒左右, 请耐心等待。

注: 当前手机必须接入2.4GHz频段WiFi, 不要选择带有5G名称的WiFi网络, 除非指定设备明确同时支持2.4G / 5.8G.



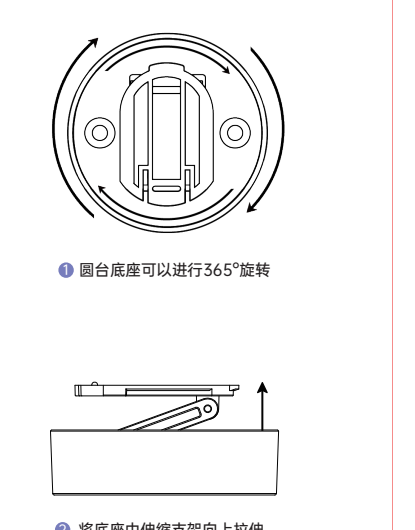
- 添加设备
- 发现设备
- 连接2.4GHz频段网络
- 蓝牙配网中, 请耐心等待
- 配网成功, 请保存此二维码

产品介绍




设备状态	指示灯状态	设备状态	指示灯状态
设备上电开机	蓝灯常亮, 黄灯常亮	设备配网成功	蓝灯常亮
设备重新启动	蓝灯快闪	设备复位成功	红灯交替
设备等待配网	蓝灯慢闪	设备充电	黄灯常亮

产品介绍



- 圆台底座可以进行365°旋转
- 将底座中伸缩支架向上拉伸



电池型卡片机操作视频



- 将相机与伸缩支架滑动安装



电池型卡片机操作视频

常见问题

- 设备连接不上?
绑定设备前请先长按复位键进行复位。WiFi名称与密码尽量不要带特殊符号(最好是字母加数字)尽量离路由近一点、少隔墙。
- 设备续航不足?
首次使用, 需充电达到5小时以上, 以激活电池最佳性能。
- 设备复位、升级后均无法自动重启?
设备复位和升级, 如果没有自动重启, 需要按开机键手动重启。
- 设备固件升级
为了确保升级过程中的电量稳定, 请尽可能在连接充电线的时候升级。
- 设备充电时无法关机
设备充电时, 既给电池充电, 也会给系统供电, 此时设备无法关机。
- 设备出现杂音
监控对讲、视频时, 手机与监控最少距离5米监控安装位置尽量远离大功率电器。
- 如何分享给家人观看
打开APP点击分享按钮, 输入家人的手机号码即可。
注: 分享的手机号码也要下载APP注册



FCC Warning

This device complies with part 15 of the FCC rules. Operation is subject to the following two conditions: (1) this device may not cause harmful interference, and (2) this device must accept any interference received, including interference that may cause undesired operation.

Changes or modifications not expressly approved by the party responsible for compliance could void the user's authority to operate the equipment.

NOTE: This equipment has been tested and found to comply with the limits for a Class B digital device, pursuant to part 15 of the FCC Rules. These limits are designed to provide reasonable protection against harmful interference in a residential installation. This equipment generates uses and can radiate radio frequency energy and, if not installed and used in accordance with the instructions, may cause harmful interference to radio communications. However, there is no guarantee that interference will not occur in a particular installation. If this equipment does cause harmful interference to radio or television reception, which can be determined by turning the equipment off and on, the user is encouraged to try to correct the interference by one or more of the following measures:

-Reorient or relocate the receiving antenna.

• Increase the separation between the equipment and receiver.

• Connect the equipment into an outlet on a circuit different from that to which the receiver is connected.

• Consult the dealer or an experienced radio/TV technician for help.

Radiation Exposure Statement

This equipment complies with FCC radiation exposure limits set forth for an uncontrolled environment. This equipment should be installed and operated with minimum distance 20cm between the radiator and your body.