

RANGEHOOD & INSTALLATION GUIDE

UM1170-9S

schweigen

www.schweigen.com.au

1. Welcome

Thank you for purchasing this Schweigen appliance.

To achieve the optimal performance from your appliance, and to avoid the risk of accident or damage, it is essential to read this manual before installation and first time use.

This guide contains important information on the use and maintenance of the appliance, as well as important safety notes.

Your appliance has been thoroughly checked for safety and functionality before being packaged and leaving the manufacturer.

Please keep this instruction manual in a safe place so you can refer to it at any time.

IMPORTANT!

The appliance should only be operated when you have read and understood this manual thoroughly.

The appliance can be only used for the purpose for which it was designed. Any other use is improper and can be dangerous.

Installation and maintenance of gas and electrical appliances should only be carried out by qualified and authorised professionals familiar with Australian Appliance Industry regulations.

Upon collection or delivery of your appliance, any damage or defects **must** be reported within **48 hours** to your retailer or Schweigen Customer Service, in order to **recognise any claim**.

The manufacturer reserves the right to introduce product improvements, which do not affect the operation of the appliance.

1. Welcome	2
2. Important Safety Information	4
3. Description	7
4. Installation	8
5. Operation	14
6. Cleaning and Maintenance	15
7. Troubleshooting	18
8. Technical Specifications	21
9. Disclaimer	23

2. Important Safety Information

Please read the instructions carefully. Only then will you be able to operate your appliance safely and correctly. Retain the instruction manual for future use or for subsequent owners.

Check the appliance for damage after unpacking it. Do not connect or install the appliance if it has been damaged in transport.

Any damage must be reported within 48 hours.

There must be adequate ventilation in the room when the rangehood is used at the same time as appliances burning gas or other fuels.

The air must not be discharged into a flue that is used for exhausting fumes from appliances burning gas or other fuels.

Air exhaust systems must be installed in accordance with local and federal laws.

There is a fire risk if regular cleaning is not carried out in conjunction with the instructions.

Do not flambé (ignite food while cooking) under the rangehood. This will damage the rangehood and will void warranty.

Do not ignite burners that give off intense uncontrolled flames beneath the rangehood.

Flames beneath the pan must be contained at all times and cannot exceed the width of the pan in use.

Do not leave any packaging material (bags, corner brackets etc.) within reach of children.

This appliance is not intended for use by person/s (including children) with reduced physical, sensory or mental capabilities, or lack of experience and/or knowledge. Unless, the person is given supervision or instruction concerning the safe usage of the appliance by person/s responsible for their safety. Children must be supervised to ensure that they do not play with the appliance, it is not a toy.

Accessible parts may become hot when used with cooking appliances.

Before performing any cleaning or maintenance operation, disconnect the rangehood from the mains power, using the respective mains or sector switch, or by unplugging it.

Do not use the rangehood without the grease filters.

Keep the grease filters clean and respect the recommended cleaning frequencies.

It is forbidden to use the rangehood as an aspirator.

Before Installation

We recommend this appliance be installed or repaired by a qualified Schweigen Home Appliances technician.

Please see our website www.schweigen.com.au for a list of our recommended installers.

It is dangerous to modify any part of this appliance. Modification of any kind will immediately void the warranty.

The manufacturer declines all responsibility in case of failure to adopt proper safety measures.

Ensure that the location in which this appliance is installed, has good and permanent ventilation.

Please consult local laws and regulations and install in accordance.

Please use an earthed electrical connector that coincides with relevant local laws and regulations.

Check that the power voltage in your area corresponds to the appliance voltage indicated on the rating label.

This appliance must be connected to an electrical supply that has a **grounded connection**.

Check that the indicated instructions and local regulations are met and carried out by a qualified technician, using materials that are compliant with the applicable legislation.

Schweigen will not be responsible for any installations executed by non-qualified technicians that fail to heed the applicable legislation on electrical safety.

The electrical technical data can be found inside the rangehood, after removing the grease filters.

The flexible power cables supplied are already connected internally and emerges from the rangehood near the air outlet tube.

Before installing the electrical connections, you should:

- Verify that the indicated electrical data coincides with the voltage values and frequency of the electrical circuit in the house where the rangehood is to be installed.
- Check that the premises has electrical protection against short circuits and electrocution.
- Before commencing maintenance the current must be turned off using the double-pole switch (mains power switch). The power can only be turned on for normal use, once the operation has been completed.
- Ensure the supply cord is not exposed to heat, chemicals or sharp objects. If the supply cord is damaged, it must be replaced by the manufacturer, service agent or a similarly qualified person in order to avoid a hazard.

2. Important Safety Information

Product Use

The Rangehood has one mode of operation:

Air extraction: The air is drawn in by the rangehood, filtered through the grease filters, and then expelled outside. Please check the cleaning and maintenance section for advice on the filter's cleaning schedule.

This product is designed for household use and must not be used for commercial applications.

After use, always ensure that all controls are in the "OFF" position.

Never flambé any food beneath the rangehood.

Always switch off the power source and unplug the connection before conducting maintenance or cleaning.

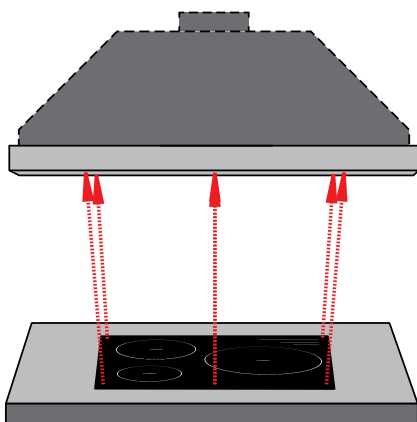
Respect the cleaning frequencies and intervals for changing the filters, otherwise, the accumulated grease could cause a fire or damage to the appliance.

Changes made to the steel surface will render the warranty invalid.

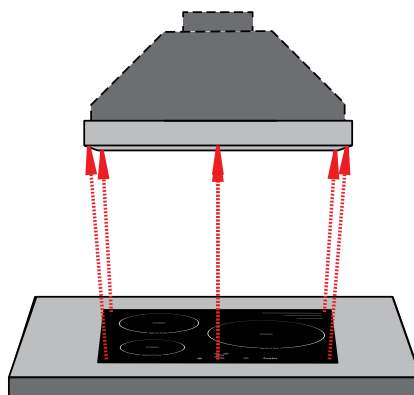
In addition to the size of the rangehood, the height of the rangehood above the cooktop is important to obtain the best performance.

For recommended heights, please refer to Mounting Laws and Regulations.

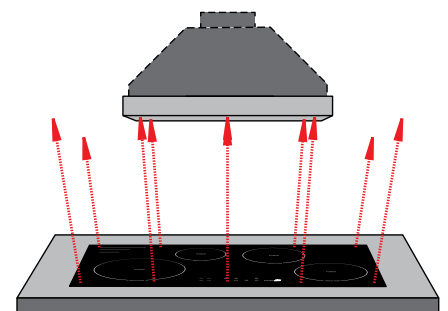
Match the Rangehood Size to your Cooktop



Rangehood larger than
cooking zone
OPTIMAL



Rangehood same size as
cooking zone
ADEQUATE



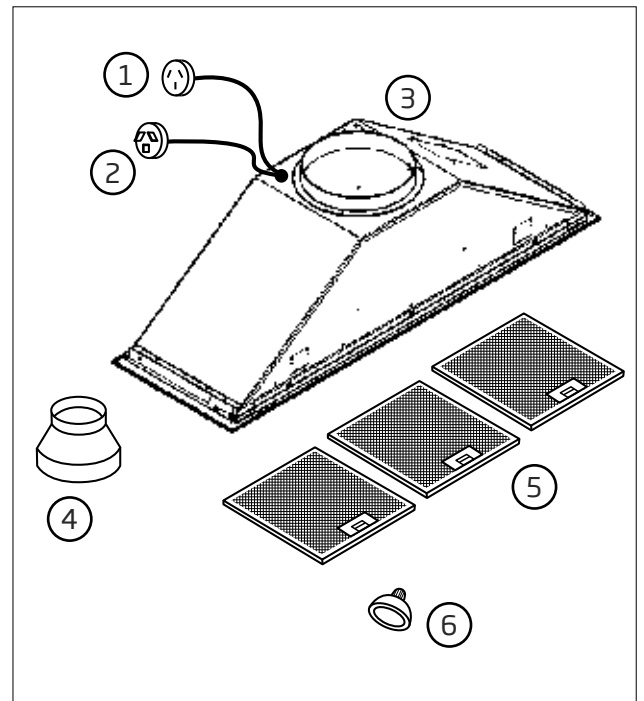
Rangehood smaller than
cooking zone
INADEQUATE

Rangehood

1. For use with Isodrive® motor system
2. Male plug (main power 240V)
3. Single 200mm outlet
4. Reducer (for Isodrive® 650 only)
5. Filter
6. Lamp (for GU10 fittings, please twist to remove)

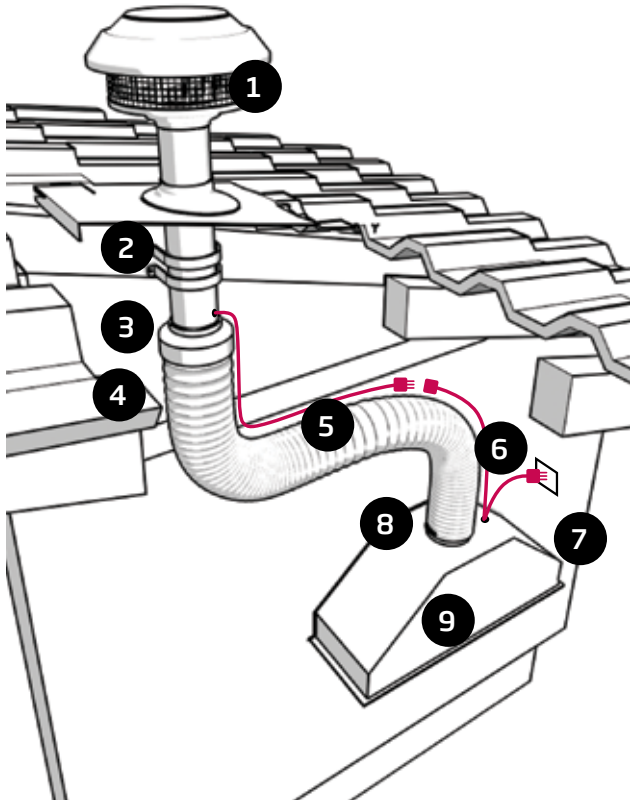
NOTE: Filter and light quantity may vary from model to model.

***IMPORTANT:** Electronics MUST be accessible for service and/or maintenance once installed, failure to do so, will result in any charges involved with accessing the part (removal of cabinetry etc.) being forwarded to the customer.



4. Installation

System Overview



Pictures are for illustrative purposes only, not to scale.

! DANGER

All electrical wiring from the motor to the rangehood should be kept inside the roof space.

1. Isodrive Motor
2. Roof Seal Kit (Dektite)*
3. Support Straps*
4. Attach Flexi Duct to Bell-Mouth Adaptor using cable tie or ring clamp. Please **DO NOT** rip the ducting.
5. Isodrive Motor Power Lead (Male Plug)
6. Rangehood to Isodrive Motor Lead (Female Plug)
7. Main Power Lead (Male Plug, 10 Amp)
8. Flexi Ducting must be pulled taut. **DO NOT** crush or kink the ducting.
9. Connect flexi ducting to the outlet on rangehood using cable tie or ring clamp. Please **DO NOT** rip the ducting.

***NOTE:** The Isodrive motor system does not include the roof seal kit, cable ties, ring clamp or the support straps.

NOTE: The general power outlet for the rangehood should be located in an easy to access area.

! DANGER

Always switch off and disconnect main power before installing the rangehood. Failure to do so may cause serious injury.

Mounting Laws and Regulations

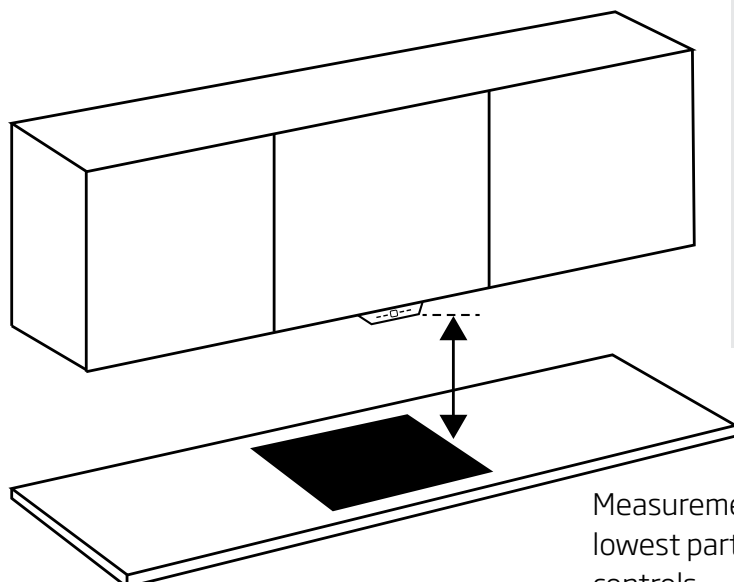
- The location of the installation must have permanent openings for ventilation.
- Regulations concerning the expelling of air must be fulfilled.
- It is **STRONGLY RECOMMENDED** that the rangehood be installed centrally over the cooktop, this will greatly improve its performance.

Minimum and **maximum** heights (cooktop-to-canopy) are **legally** required, and recommended for optimum rangehood performance in an indoor kitchen

Type of Cooktop	Min. Height	Max. Height	Notes
Electric	650mm	750 to 800mm	Installation heights above 800mm will compromise extraction.
Gas	650mm	750 to 800mm	

Installation Height for Induction Cooktop

Type of Cooktop	Min. Height*	Max. Height	Notes
Induction	700mm	800mm	* Schweigen's recommended height will help avoid condensation, particular to cooking with an Induction Cooktop. Refer to additional notes.



Measurements are from the top of the trivets to the lowest part of the rangehood, including the button controls.

! * IMPORTANT

Please check all State and Federal Laws in relation to both the minimum and maximum installation height, and the regulations concerning the expelling of air, and install your rangehood in accordance.

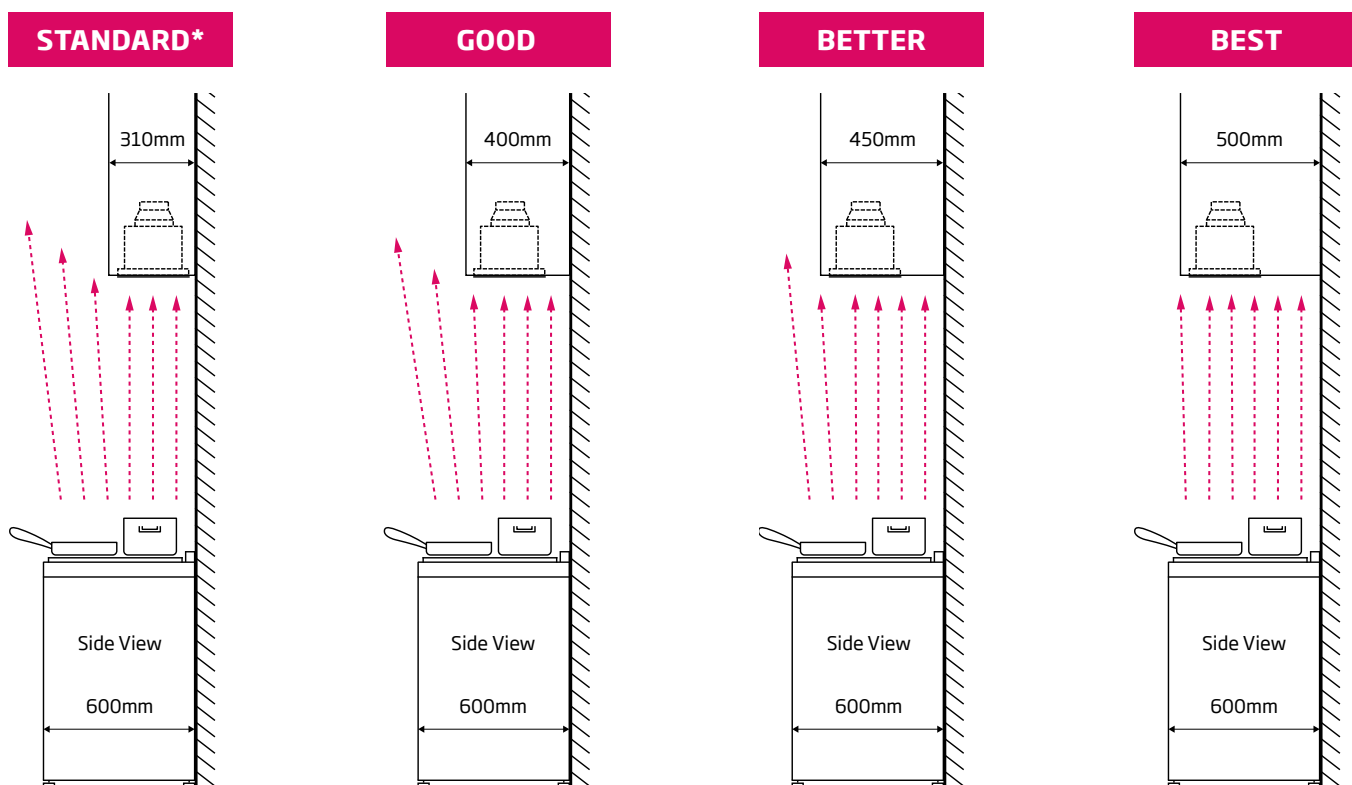
4. Installation

Overhead cabinet Rangehood Installation position

It is important to consider the benchtop and overhead cabinetry depth before installing the rangehood.

The information below is to be used as a guide only, drawings are not to scale and do not account for all circumstances.

The cooktop is centrally installed in the benchtop in the diagrams below.

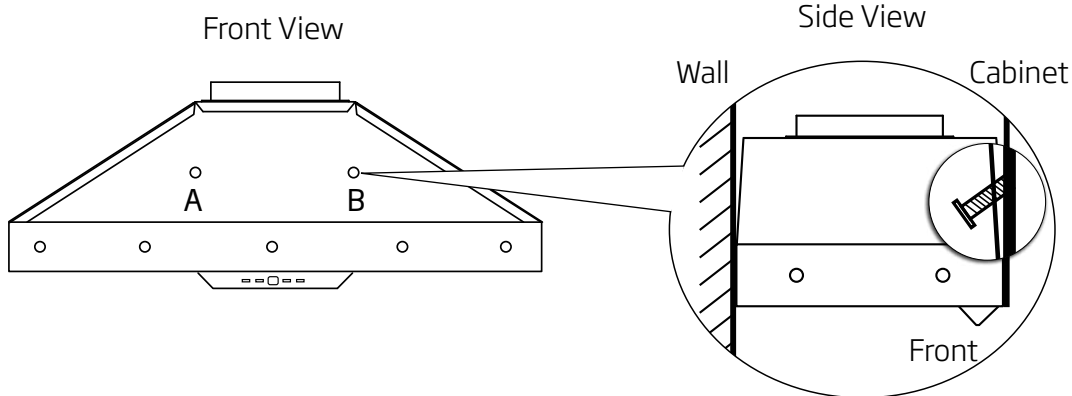


When the overhead cabinetry is constructed and installed deeper than standard, ensure the rangehood is installed as close to the front as possible. This will increase the rangehood extraction results as there is a greater coverage of the cooktop surface area.

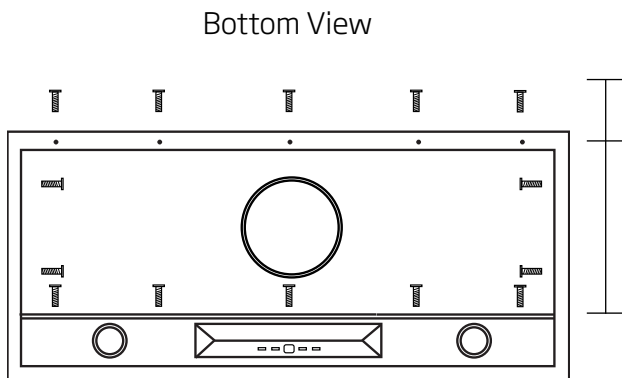
*Overhead cabinets standard depth are approximately 300-310mm. This provides poor extraction for the rangehood as the surface area of the cooktop is not covered, particularly the front burners.

Mounting and Fixing Points

The diagrams below are a guide for all mounting points.



Mounting point A and B need to be tightened with slightly angled screws to pull the rangehood up tight to the cabinet.

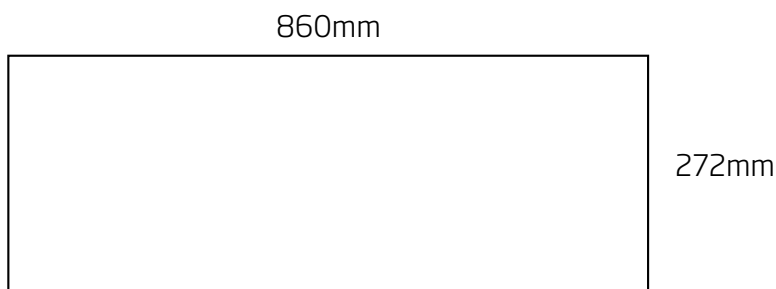


These support screws insert from the bottom of the rangehood.

These support screws insert from the inside of the cabinet.

Cabinet Cutout Size

A cardboard template is supplied showing the cabinet cutout size. Use this as a guide only when designing your cabinet. We advise you to take the rangehood to your cabinet maker so they can tailor the cabinet to fit correctly.



NOTE: Please make sure that all plastic protection on the rangehood and filters are removed before use.

4. Installation

Optional Installation Example

! IMPORTANT

Please read the installation guide thoroughly prior to installation. This model has a different method of installation compared to standard undermounts.

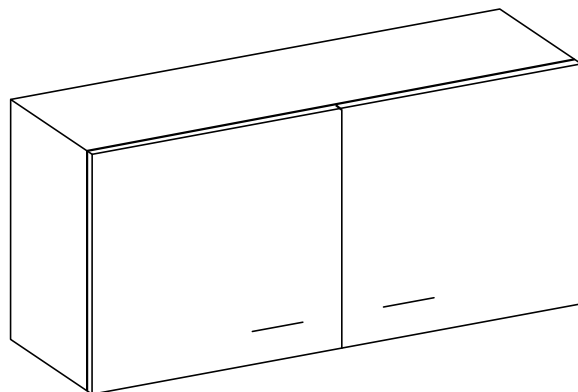
! WARNING

Please remove filters before installation. Failure to do so may damage the clips.

Step 1

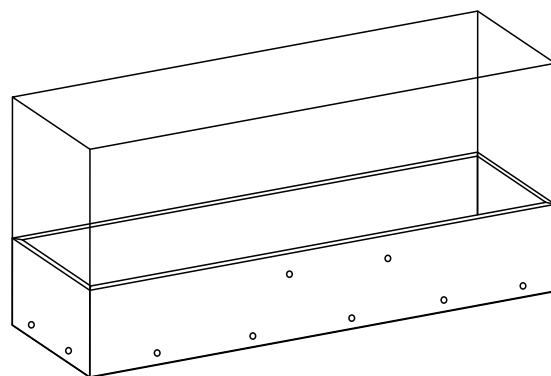
Construct cabinet according to rangehood specifications, make sure it will support the rangehood.

NOTE: The support frame is not included. The requirement of a support frame is dependent on the type and location of installation. Please contact your installer for more information.



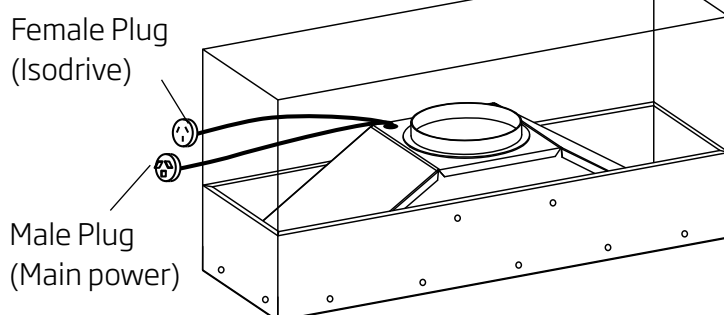
Step 2

Insert rangehood into the cabinet.

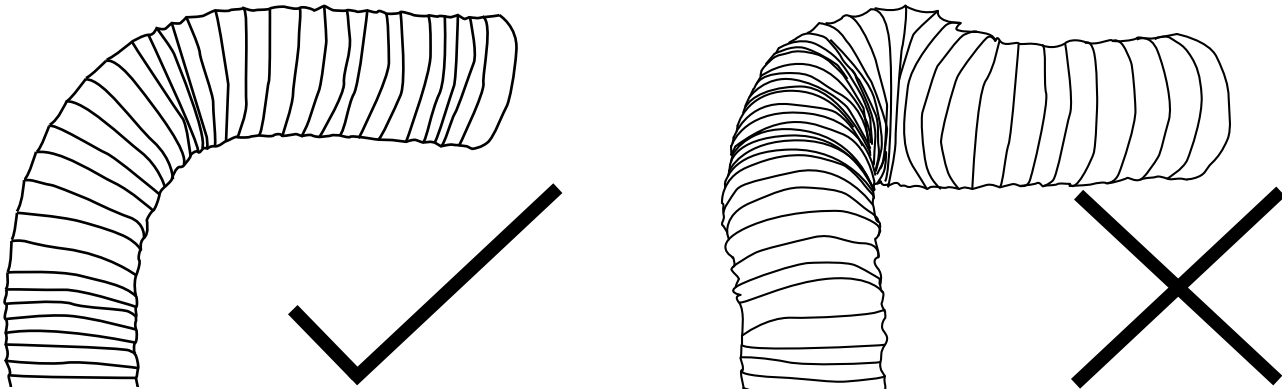


Step 3

Secure the undermount into cavity using screws. All screws are installed internally into a support frame, except the rear screws. See "Mounting and Fixing Points" for more information.



Flexible Ducting Installation



Please do not crush or kink flexi ducting, as it will reduce air flow and may cause noise to occur through the system. Ducting must be kept taut at all times.

Isodrive Motor Setup

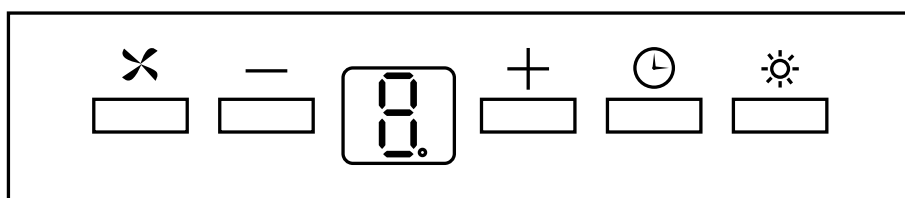
NOTE

Please refer to the Isodrive motor installation guide for more details on flexi ducting and Isodrive motor installation.

5. Operation

Schweigen silent rangehoods are recognised for their silent operation. Although this holds true for all of our rangehoods with external motors, one must note that the rangehoods are silent when they are used for regular cooking on the lower fan setting. Therefore, you will only hear the movement of air.

Control Panel



- Turn on/off the rangehood
- Press - to decrease the fan speed
- Press + to increase the fan speed
- Press to activate the 15 minutes timer function, the display will flash and motor will stop automatically after 15 minutes.
- Turn on/off the lamp.

Cleaning periods of metal filters – “C” Signal

Filter should be cleaned when “C” signal appears on the display on average this is every 4 to 5 weeks (or in accordance with the usage frequency). In order to remove “C” signal, after the filters are cleaned and placed back to their place, press button for more than 3 seconds, when the product is at off position. The Letter “E” will appear on display and the product will operate as normal.

If you would like to continue using the product without deleting “C” signal, when you press the button active speed will appear for 1 second, then “C” signal will appear once more and the motor will continue operating.

NOTE: “C” signal will appear after you use the product for approximately 40 hours.

In order to use the rangehood efficiently:

- Pay attention to metal filters’ cleaning periods.
- Use the product at medium speed if high suction power is not necessary.
- In order to ensure that ventilation occurs correctly, windows of the kitchen should be kept closed.

Speed Controls

Speed control usage suggestions:

- Low speed for simmering.
- Medium speed for light cooking.
- High speeds for heavy frying or heavy cooking.

! WARNING

Always switch off and disconnect power to the rangehood before cleaning. The manufacturer is exonerated from all responsibility in the event of fire due to poor maintenance of the filters and rangehood.

Cleaning and user maintenance shall not be made by children without supervision.

Filters

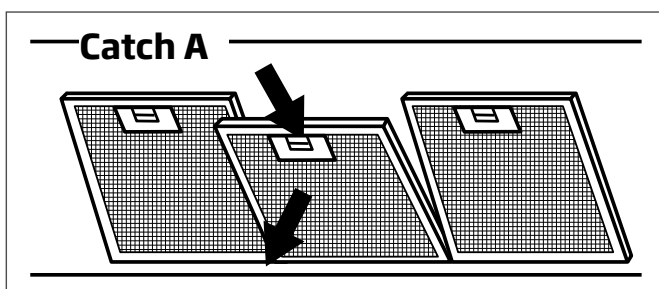
- For this appliance to function effectively, regular maintenance is a must.
- The function of the filter is to absorb the grease particles emitted during cooking.
- Blocked filters and heavy oil deposits restrict airflow and may cause the motor to overheat and become a fire hazard.
- Filters should be cleaned every 3-6 weeks or after 40 hours of use.
- Disconnect the electrical connection before any maintenance or cleaning processes are carried out.
- To remove the filter, press 'Catch A' towards the rear of the rangehood (removing the pins from the front guide), ease down slightly and remove. To replace, perform the same operation but in reverse, see figure 1.
- For an induction cooktop, please aim to clean the filters at least every 10 days, depending on frequency of use.
- The filters can be washed by hand or in the dishwasher

Washing by hand - Immerse the filter in hot water and a suitable detergent, when clean, rinse with plenty of hot water.

Dishwasher - Put the filter in the dishwasher and select a short program at low temperature.

NOTE: The colour of the metal mesh filters may change after several washes. This is normal and it is not necessary to replace the filters.

Figure 1

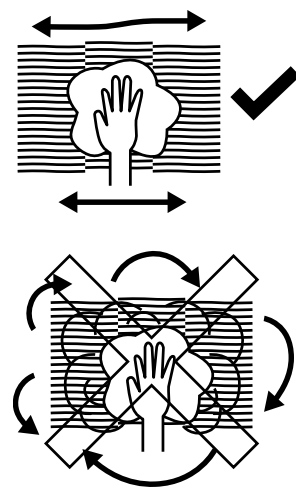


6. Cleaning and Maintenance

Surfaces

The surface of the rangehood can be cleaned with warm soapy water and a soft sponge / cloth.

- Never use abrasive detergents, scouring pads, steel wool or solvents on ANY part of this appliance.
- Rinse with clean water and ensure that the appliance is completely dry after cleaning.
- For better results, you can use high quality cleaning and protection products (eg. Steel Kleen) to clean your rangehood.
- Always make sure the appliance is completely dry after cleaning and never leave wet, this may cause irreparable damage.



It is important to follow the direction of the surface grain with the cloth (refer to figure right).

Do not pour any liquid directly onto the rangehood, apply to a soft cloth first.

The cloth must have no buttons, zips or fasteners that can scratch the surface.

It is strictly forbidden to use chemical solvents, aggressive, grainy or abrasive products, naphtha, alcohol or similar products that could damage the surface of the rangehood.

The manufacturer will not be held responsible for functional or aesthetic damage caused by using inadequate cleaning methods.

Cleaning the Interior

Clean the interior of the rangehood with a damp cloth and a neutral detergent or denatured alcohol.

NOTE: Do not use denatured alcohol on the exterior of the rangehood. Do not clean the electric parts or the motor with liquids or solvents.

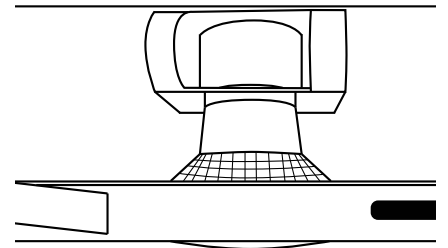
Replacing the Lights

⚠ DANGER

Always switch off and disconnect power before replacing the lights. Failure to do so may cause serious injury. Please be aware that the light bulb may retain heat for a short period of time after being switched off.

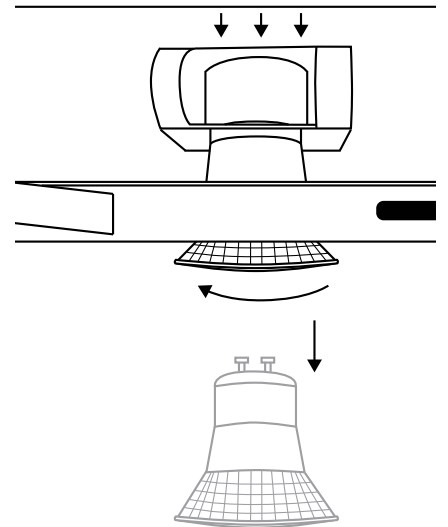
Step 1

Remove the filters from the rangehood.



Step 2

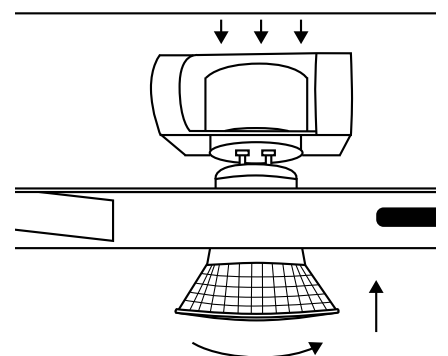
Gently push light holder down, turn light bulb anti-clockwise, pull the light bulb down and remove it from the light holder.



Step 3

Gently push light holder down. Insert a new light bulb by lining up the pins of the light bulb with the larger holes inside the light holder. Once the pins are in place, turn clockwise to secure the light bulb.

NOTE: Light bulb should sit flush after being installed. Do not over push the lamp holder as it may cause the light bulb to stick out. If this has occurred, please remove light bulb and push the light holder back into place and repeat steps 2 and 3.



7. Troubleshooting

Cooking with Induction Cooktops

Cooking with an induction or similar cooktop, may produce condensation on the rangehood.

Unlike basic electric or gas cooking, induction cooktops heat food and liquid instantly, which in turn, produces vapours rapidly. Because of the accelerated process, the rangehood filters do not have enough time to warm up, which increases the chance of condensation forming.

There are many variables that may contribute to condensation forming, some of which include but are not limited to:

- Variance in climate - geographical location.
- Position of your home & kitchen - morning/afternoon sun.
- Distance from cooktop to the rangehood.
- Speed of food & liquid heating.
- Angle of ducting - an 'S' bend is preferred.
- Filter size - larger rangehood preferred, as it will have a larger filter extraction area.
- Quality of pots or cookware you are using - high quality is recommended.

How to reduce the possibility of condensation forming:

- Ensure the rangehood is installed by a qualified professional, carefully following the installation guide.
- Turn on the rangehood 5-10 minutes prior to cooking, and leave on for 5-10 minutes after cooking; this helps clear remaining vapours from the flue.
- Start the cooking process at a low-to-medium setting and allow time for the rangehood to become warm.
- Clean filters regularly.
- Ensure constant airflow in the cooking zone; this helps optimise the rate of extraction.
- Follow all induction cooktop manufacturer's advice.
- Install at recommended height above induction cooktop.

For further tips or information regarding cooking with induction, please contact the induction cooktop manufacturer.

7. Troubleshooting

Before you contact the technical service department, make sure that the product is plugged in and power is supplied.

- Do not take any action that will damage the product.

IMPORTANT

Never attempt to repair this appliance by yourself. Always refer to a qualified Service Technician.

	Check electric connection. Voltage of the electric network should be between 220 - 240V, rangehood should be connected to grounded plug and turned on.	Check motor switch. Please ensure that there is power to the rangehood and the rangehood is switched on.	Check lamp switch. Lamp switch should be at on position.	Check filters. The filters should be washed regularly, see filter cleaning.	Light bulbs should be firmly in position.	Check light bulbs. Make sure they are not broken or faulty.	Please make sure there is no obstruction in ducting or with the back draft fins.	Check the outlet, make sure it is not blocked and you have the correct diameter ducting installed.	Check Isodrive installation manual, make sure the flexi ducting is installed correctly, eg. Length of ducting used, keep the ducting taut.	Check the ducting has not come off the rangehood outlet or has been eaten through by rodents.
Rangehood does not work	X	X								
Light does not work	X		X		X	X				
Rangehood air exaction is weak				X			X	X	X	
Rangehood does not direct air out (through chimney)				X			X			
Loud noise from the rangehood								X	X	

7. Troubleshooting

Calling the Technical Assistance Service Hotline

In the event that the failure is not due to the faults mentioned in Trouble Shooting, contact Customer Service.

In Australia, Customer Service 1300 829 066

In New Zealand, Customer Service 0800 200 510

Lodging an online Service Request

In the event that failure is not due the reason/s in the trouble shooting section, you can lodge an online Service Request.

To lodge a Service Request, visit our website www.schweigen.com.au/pages/support/service-warranty and click on the link to download the service request form.

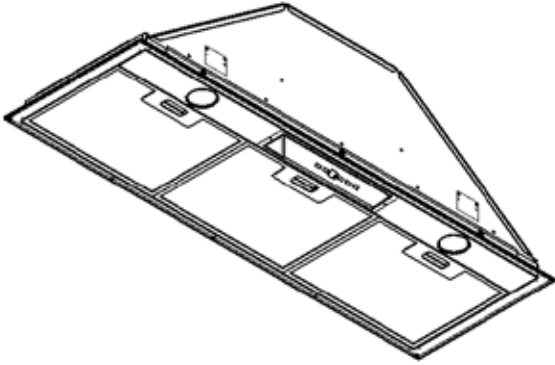
A service request will require the following information:

- The purchase date
- The rangehood model and motor type (eg. Isodrive 650)
- The rangehood serial number or batch number (this number is on a sticker inside the rangehood)
- A copy of the purchase receipt (without a receipt your service request cannot be processed)

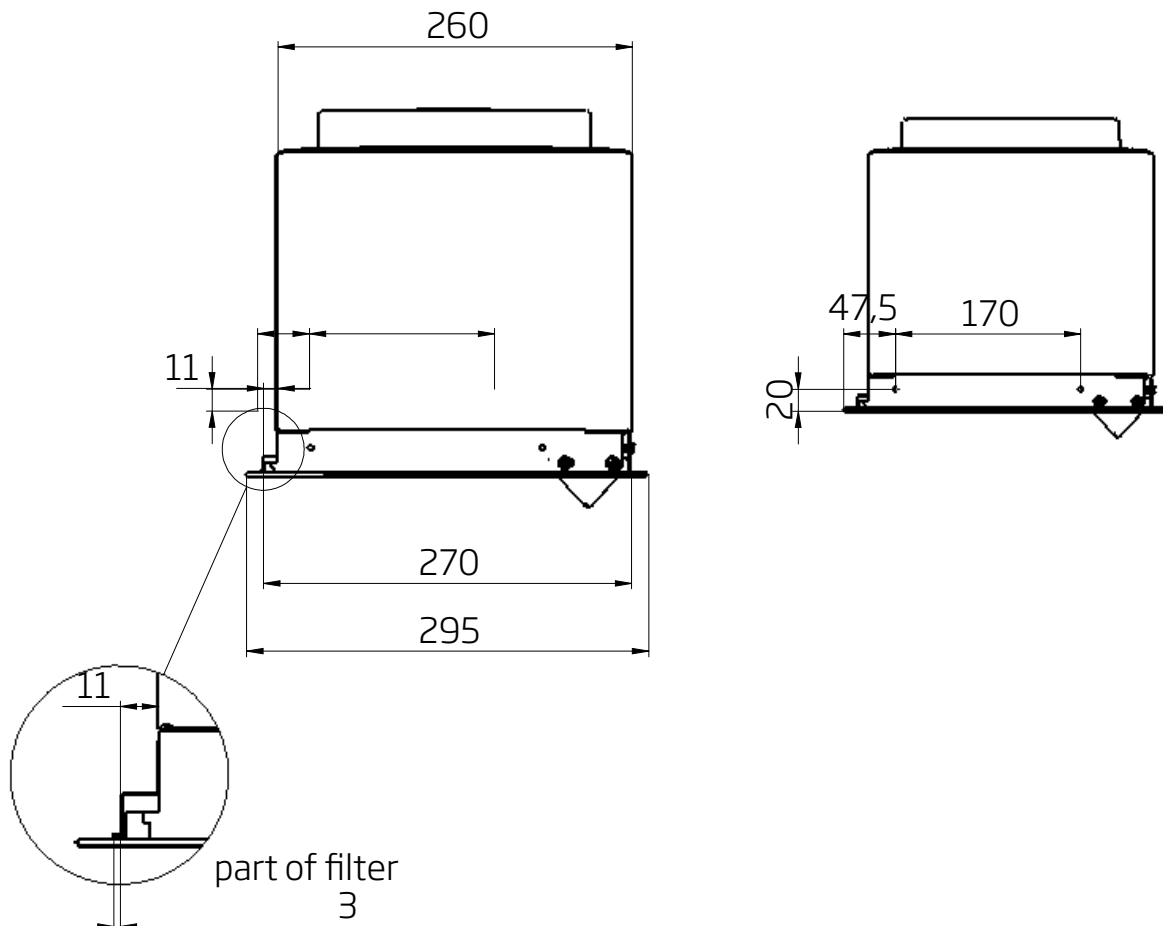
Faulty Installation

It is not the responsibility of Schweigen Home Appliances to rectify any incorrect installations. A service call out fee will be charged for any Schweigen technician that attends a call, whereby it is established that the fault is due to an incorrect installation or non-manufacturing fault. Should the appliance be installed in such a way that the service agent is unable to gain access to the appliance, the person/s who own the premises where the appliance resides – will be responsible to provide access to the appliance at their expense.

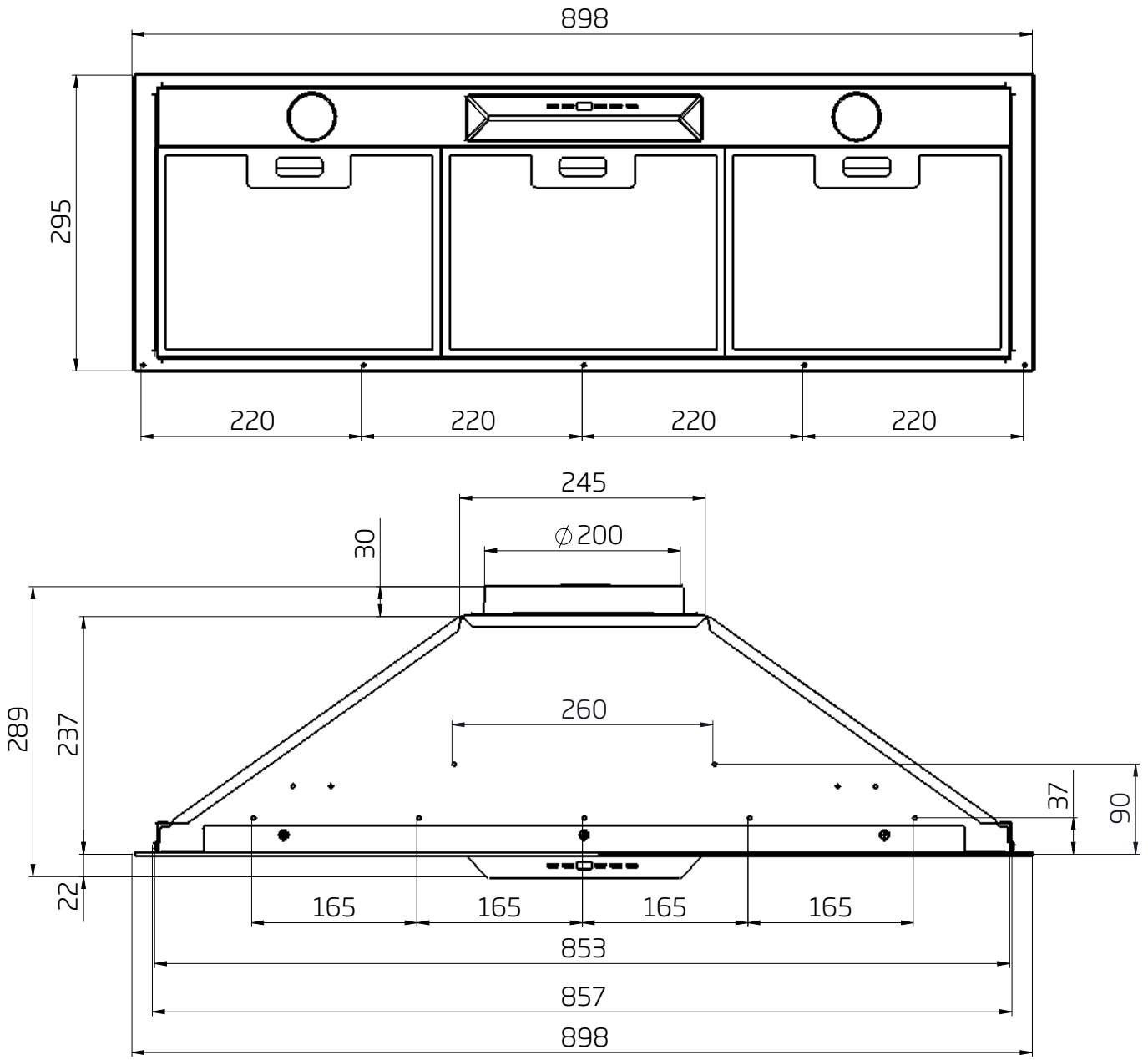
8. Technical Specifications



Model	UM1170-9S
Feeding Voltage	220-240V 50Hz
Lamp Power – Halogen (W)	2 x 20W (optional)
Lamp Power – LED (W)	2 x 3W
Weight	6.8kg



8. Technical Specifications



Under our policy of continuous product development, product specifications may change without notice. Prospective purchasers should therefore check with the retailer to ensure this publication correctly describes the products being offered for sale. All information supplied is to be used for general reference purposes only and is on the understanding that Schweigen Home Appliances will not be liable for any loss, liability or damage of whatever kind arising as a result of any reliance upon such information. All pictures used in the guide are for illustrative purposes only.

Although our information and marketing states the term 'Silent' for certain models, the following applies to various models that are sold with certain IsoDrive Systems and baffle filters. When a model with the larger motored IsoDrive System is operated at the higher speed/s air movement may be heard. For example, while operating on speed 4 & 5 (For 5 speed models) the rangehood may be audible due to the large amount of air movement moving through the filter.

*Please make sure that the rangehood and motor have been installed as per the corresponding instruction guides in order for optimal performance (the Isodrive Motor Manual can be found with the Isodrive Motor, or online at schweigen.com.au).

Schweigen Home Appliances has presented this information in good faith to all their retailers and distributors to convey before any/all purchase/s. Information is supplied upon the condition that the person/s receiving the information will make their own determination as to its suitability for their purpose/s prior to use. In no event will Schweigen Home Appliances be responsible for damages of any nature whatsoever resulting from the use of, or reliance upon, information from their website or the products to which the information refers.



The symbol on the product or its packaging indicates that it cannot be treated as normal household waste. Take this product to your nearest electrical and electronic equipment waste point for recycling. By correctly disposing of this product, you will be helping to prevent potentially negative consequences for the environment and public health, which could arise if this product is not handled in the appropriate way. For more details about the recycling of this product please contact the authorities of your city or town, your local household waste service or the store where you purchased the product.

schweigen

Australia 8/3-4 Anzed Court, Mulgrave 3170 Victoria. **Phone** 1300 881 693
Email sales@schweigen.com.au **Web** www.schweigen.com.au

New Zealand 5 Tolich Place, Henderson, Auckland 0610. **Phone** 0800 200 510
Email info.parex@emerson.com **Web** www.parex.co.nz