

*Sunbeam*

# THE NEW YORK COLLECTION 2 SLICE TOASTER

User Guide



TA4420

# Contents

<b>Sunbeam's Safety Precautions</b>	<b>1</b>
<b>Features of your Toaster</b>	<b>2</b>
<b>Using your Toaster</b>	<b>3</b>
<b>Toaster Functions</b>	<b>3</b>
<b>Toasting Tips</b>	<b>4</b>
<b>Care and Cleaning</b>	<b>4</b>

## Important instructions – retain for future use.

تأكد من تفهيم احتياطات السلامة المذكورة اعلاه

請務必理解上述的安全預防措施。

Assurez-vous que les précautions ci-dessus relatives à la sécurité sont bien comprises

Versichern Sie sich, dass die obenstehenden Sicherheitsmaßnahmen Verstanden werden

Βεβαιώνετε πως οι παραπάνω προφυλάξεις ασφαλείας γίνονται κατανοητές

Pastikan bahwa tindakan-tindakan keselamatan seperti di atas dimengerti anda

Accertatevi che le suddette norme di sicurezza siano comprese a dovere

上記の注意事項をよくお読みになり、安全を御確認ください

Уверете се дека погоре споменатите мерки на претпазливост се добро разбрани

Asegúrese de que las precauciones de seguridad precedentes sean bien comprendidas

کاری بکنید کہ احتیاط‌های بالا حتماً درک بشوند

ต้องแน่ใจว่า ข้อควรระวังเรื่องความปลอดภัยข้างต้น เป็นที่เข้าใจกันดี

Yukarda belirtilen güvenlik önlemlerinin anlaşıldığından emin olunuz

Xin kiểm chắc rằng những biện pháp làm an toàn kể trên được hiểu rõ

# Sunbeam's Safety Precautions

## SAFETY PRECAUTIONS FOR YOUR SUNBEAM TOASTER.

- Do not place any objects such as toast, bread or similar on top of your toaster when in use.
- Operate the toaster on a flat level surface.
- The bread may burn, therefore do not use the toaster near or below combustible material, such as curtains.
- Do not leave your toaster unattended when in use.
- Clean crumb tray regularly.
- Do not allow crumbs to accumulate in the crumb tray.
- Do not toast stale bread, rice crackers or similar on a high setting as they may catch fire.
- **WARNING:** Never attempt to extract jammed toast, crumpets or muffins with a knife or any other metal object, as contact with a live element may cause electrocution.

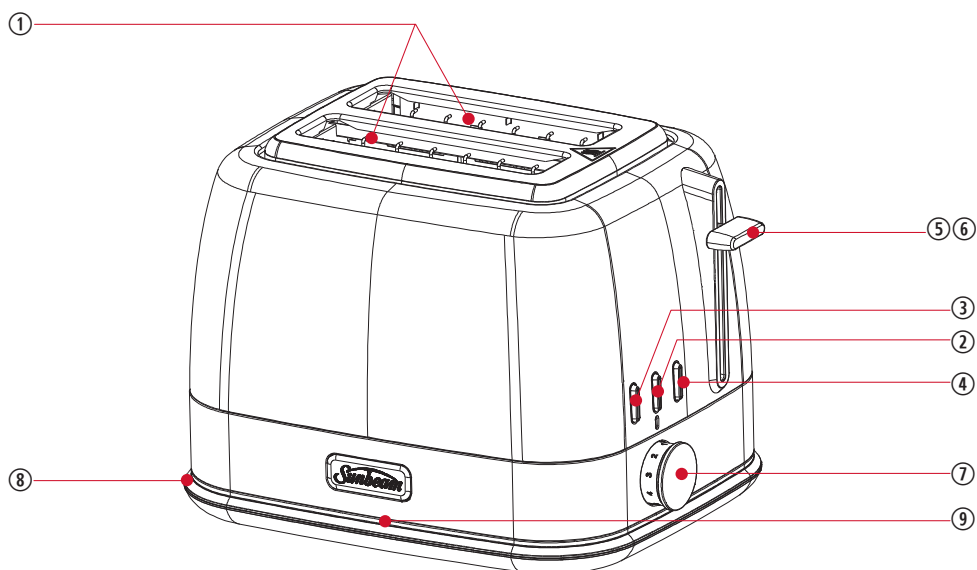
**Sunbeam is very safety conscious when designing and manufacturing consumer products, but it is essential that the product user also exercise care when using an electrical appliance. Listed below are precautions which are essential for the safe use of an electrical appliance:**

- Read carefully and save all the instructions provided with an appliance.
- Always turn the power off at the power outlet before you insert or remove a plug. Remove by grasping the plug - do not pull on the cord.
- Turn the power off and remove the plug when the appliance is not in use and before cleaning.
- Do not use your appliance with an extension cord unless this cord has been checked and tested by a qualified technician or service person.
- Always use your appliance from a power outlet of the voltage (A.C. only) marked on the appliance.
- This appliance is not intended for use by persons (including children) with reduced physical, sensory or mental capabilities, or lack of experience and knowledge, unless they have been given supervision or instruction concerning use of the appliance by a person responsible for their safety.
- Children should be supervised to ensure that they do not play with the appliance.
- The temperature of accessible surfaces may be high when the appliance is operating.
- Never leave an appliance unattended while in use.
- Do not use an appliance for any purpose other than its intended use.
- Do not place an appliance on or near a hot gas flame, electric element or on a heated oven.
- Do not place on top of any other appliance.
- Do not let the power cord of an appliance hang over the edge of a table or bench top or touch any hot surface.
- Do not operate any electrical appliance with a damaged cord or after the appliance has been damaged in any manner. If damage is suspected, return the appliance to the nearest Sunbeam Appointed Service Centre for examination, repair or adjustment.
- For additional protection, Sunbeam recommend the use of a residual current device (RCD) with a tripping current not exceeding 30mA in the electrical circuit supplying power to your appliances.
- Do not immerse the appliance in water or any other liquid unless recommended.
- Appliances are not intended to be operated by means of an external timer or separate remote control system.
- This appliance is intended to be used in household and similar applications such as: staff kitchen areas in shops, offices and other working environments; farm houses; by clients in hotels, motels and other residential type environments; bed and breakfast type environments.

If you have any concerns regarding the performance and use of your appliance, please visit [www.sunbeam.com.au](http://www.sunbeam.com.au) or contact the Sunbeam Consumer Service Line.

Ensure the above safety precautions are understood.

# Features of your Toaster



## 1. Self-centring bread slots

Whether you are toasting thick or thin slices, your bread will always be held in the centre of the slot to ensure even toasting.

## 2. Cancel button

The Cancel button immediately interrupts any toasting cycle and pops the toast up.

## 3. Reheat button

The Reheat button can be selected after the toasting cycle has finished. It reheats the toast for 30 seconds.

## 4. Defrost button

This setting ensures bread can be toasted straight from the freezer.

## 5. QuickCheck™ feature

The progress of the toast can be checked at any time by lifting up the toasting lever. This can be done without interrupting the toasting cycle.

## 6. High-lift and toasting lever

Raises the toast above the starting position so you can remove the toast from the toaster without burning your fingers. Ideal for crumpets and muffins.

## 7. Browning control

Variable toast settings from 1 - 9 allows you to toast your bread to the desired colour every time.

## 8. Removable crumb tray

Pulls out from underneath your toaster for easy removal of crumbs.

## 9. Illumination

Illuminates when toasting.

# Using your Toaster



## Hot Surfaces Do Not Touch

This symbol indicates that the temperature of accessible surfaces may be high when the appliance is operating and for some time after use.

Plug the toaster into a 230-240 volt AC power outlet and switch the power on.

### Toasting Bread

1. Position the bread into the bread slot.
2. Select the desired browning setting using the Browning control.

**Note:** If toasting 1 slice it is recommended that you use a lower browning setting to achieve your required result and to prevent burning.

**Important:** Do not toast stale bread, rice crackers or similar on a high setting as there is a chance that they may catch fire.

3. Push the Toasting lever down to commence the toasting cycle. Illumination will glow when toasting.
4. When the desired browning is achieved, the toaster will automatically stop toasting and pop the toast up.
5. If you need to remove the toast before the cycle is complete, press the Cancel button. The Cancel button will immediately interrupt the toasting cycle and pop the toast up.
6. To remove small pieces of toast, crumpets or bagels, use the High-lift lever to lift the toast above the starting position. This will prevent burning your fingers as you remove the toast.
7. If you need to quickly check the progress of your toast without stopping the toasting cycle, use the QuickCheck™ feature. Simply lift up the toasting lever to view the toast and then release when you have finished. If the toast is ready press the Cancel button.

# Toaster Functions

### Cancel button

The Cancel button immediately stops any of the toasting cycles. As a consequence of this, the toast will pop up.

### High-lift lever

When toasting small pieces of bread, crumpets or muffins we recommend using the High-lift lever to prevent you from burning your fingers.

### QuickCheck™

The progress of the toast can be checked at any time by lifting up the toasting lever. This can be done without interrupting the toasting cycle.

### Defrost Feature

The Defrost feature can be used to toast your frozen bread. The colour of your toast will brown according to the toasting setting you have chosen. This feature is activated by pressing the Defrost button on at the beginning of the toasting cycle.

### Reheat button

The Reheat button can be selected after the toasting cycle has finished. Press the toast lever down then select the Reheat button.

# Toasting Tips

- Toasting is a combination of drying and cooking the bread and, because moisture levels differ from one bread to another, toasting times can vary.
- For slightly dry bread, use a lower setting than normal.
- For fresh bread or whole wheat bread, use a higher setting than normal.
- Bread which has a very uneven surface will require a higher setting.
- Thicker cut pieces of bread (including crumpets) will take longer to toast—sometimes significantly longer. This is because more moisture must be evaporated from the bread before toasting can occur. Very thick pieces of bread may require two toasting cycles.
- When toasting raisin or other fruit breads, remove any loose raisins or fruit from the surface of the bread before putting it into your toaster. This will help prevent fruit pieces from falling into your toaster or sticking to the guard wires in the toasting slot.

- If your bread jams in the toaster, switch power off, remove the plug from the power outlet and ease the bread out of the toaster.
- Ensure muffins or bagels are cut into even halves and fit freely into the bread slot. Do not force them into the toaster.

## Single slice toasting

- If toasting 1 slice it is recommended that you use a lower toaster setting to achieve your required browning and to prevent burning.

**WARNING: Never attempt to extract jammed toast, muffins, bagels or crumpets with a knife or any other metal object, as contact with the live element may cause electrocution.**

# Care and Cleaning

Always turn the power OFF and remove the plug from the power outlet after use and before cleaning your toaster.

## To clean the exterior

The surface of the Toaster may be wiped over with a damp cloth and polished with a soft dry cloth. Take care not to knock or damage the paintwork, as this may result in areas where the finish does not retain its original character. Clean the exterior of the product by wiping with a soft, lint-free damp cloth.

**CAUTION:** Do not use any polishing agents, chemicals, steelwool or abrasive cleaning products to clean the outside of the kettle as these can damage the appearance.

## Removable Crumb Tray

To remove the crumbs, simply pull tray out, empty and place it back in the toaster.

**Important:** Clean the crumb tray regularly. Do not allow crumbs to accumulate, as they may cause a potential fire hazard.

## To clean the toaster interior

Clean inside the toaster regularly. To do this, unplug the appliance, turn it upside down over the sink and gently shake all the crumbs out.

# 12 Month Replacement Guarantee

This Sunbeam product is covered by a 12 month replacement or repair warranty, which is in addition to your rights under the Australian Consumer Law (if your product was purchased in Australia) or New Zealand Consumer Guarantees Act (if your product was purchased in New Zealand).

Upon receipt of your claim, Sunbeam will seek to resolve your difficulties or, if the product is defective, advise you on how to obtain a replacement or refund.

To assist us in managing warranty claims, we recommend you register your product as soon as practicable after purchase by creating a MySunbeam account on our website and uploading a copy of your original receipt.

In order to make a claim under our warranty, you must have the original proof of purchase documentation for the product and present it when requested (if not already uploaded to our website).

Should your product develop any defect within 12 months of purchase because of faulty materials or workmanship, we will replace or repair it, at our discretion, free of charge. A product presented for repair may be replaced by a refurbished product of the same type rather than being repaired. Refurbished parts may be used to repair the product.

Our replacement or repair warranty only applies where a defect arises as a result of faulty material or workmanship during the warranty period. Your warranty does not cover misuse or negligent handling (including damage caused by failing to use the product in accordance with this instruction booklet), accidental damage, or normal wear and tear.

Your warranty does not:

- cover freight or any other costs incurred in making a claim, consumable items, accessories that by their nature and limited lifespan require periodic renewal (such as filters and seals) or any consequential loss or damage; or
- cover damage caused by:
  - power surges, power dips, voltage supply problems, or use of the product on incorrect voltage;

- servicing or modification of the product other than by Sunbeam or an authorised Sunbeam service centre;
- use of the product with other accessories, attachments, product supplies, parts or devices that do not conform to Sunbeam specifications; or
- exposure of the product to abnormally corrosive conditions; or

- extend beyond 3 months if the product is used in commercial, industrial, educational or rental applications.

**The benefits given to you by our warranty are in addition to other rights and remedies under law in relation to the product.**

**In Australia our goods come with guarantees that cannot be excluded under the Australian Consumer Law. You are entitled to a replacement or refund for a major failure and for compensation for any other foreseeable loss or damage. You are also entitled to have the goods repaired or replaced if the goods fail to be of acceptable quality and the failure does not amount to a major failure.**

**Our goods also come with guarantees that cannot be excluded under the New Zealand Consumer Guarantees Act.**

If your warranty claim is not accepted, we will inform you and if requested to do so by you, repair the product provided you pay the usual charges for such repair. You will also be responsible for all freight and other costs.

Should your product require repair or service after the warranty period, contact your nearest Sunbeam service centre. For a complete list of Sunbeam's service centres, visit our website or call our customer service line for advice on 1300 881 861 in Australia, or 0800 786 232 in New Zealand.

Should you experience any difficulties with your product during the warranty period, please contact our customer service line for advice on 1300 881 861 in Australia, or 0800 786 232 in New Zealand.

## Australia

[www.sunbeam.com.au](http://www.sunbeam.com.au)  
1300 881 861  
Units 5 & 6,  
13 Lord Street,  
Botany NSW 2019  
Australia

## New Zealand

[www.sunbeam.com.nz](http://www.sunbeam.com.nz)  
0800 786 232  
Unit 3, Building D,  
26 Vestey Drive,  
Mt Wellington  
Auckland  
New Zealand

## Need help with your appliance?

Contact our customer service team or visit our website for information and tips on getting the most from your appliance.

Australia | visit [www.sunbeam.com.au](http://www.sunbeam.com.au)  
phone 1300 881 861  
mail Units 5 & 6, 13 Lord Street,  
Botany NSW 2019 Australia.

New Zealand | visit [www.sunbeam.co.nz](http://www.sunbeam.co.nz)  
phone 0800 786 232  
mail Level 6, Building 5, Central  
Park, 660–670 Great South  
Road, Greenlane, Auckland.

Sunbeam Corporation Limited | ABN 45 000 006 771

Sunbeam Corporation is a division of Newell Brands.

Sunbeam is a registered trade mark.

Made in China to Sunbeam's specification.

Due to minor changes in design or otherwise,

the product you buy may differ slightly from the one shown here.

Approved by the appropriate electrical regulatory authorities.

©Copyright Sunbeam 2019.

02/19

TA4420\_19EM1 (ANZ)

GCDS-SUN-JC