

## WALL MOUNT RANGE HOOD

### MODEL NUMBER

FRHWM5095-30 | FRHWM5095-30BLK | FRHWM5095-30WHT

FRHWM5095-36 | FRHWM5095-36BLK | FRHWM5095-36WHT

FRHWM5095-48 | FRHWM5095-48BLK | FRHWM5095-48WHT

FRHWM5095-60 | FRHWM5095-60BLK | FRHWM5095-60WHT

# INSTALLATION GUIDE & INSTRUCTION MANUAL

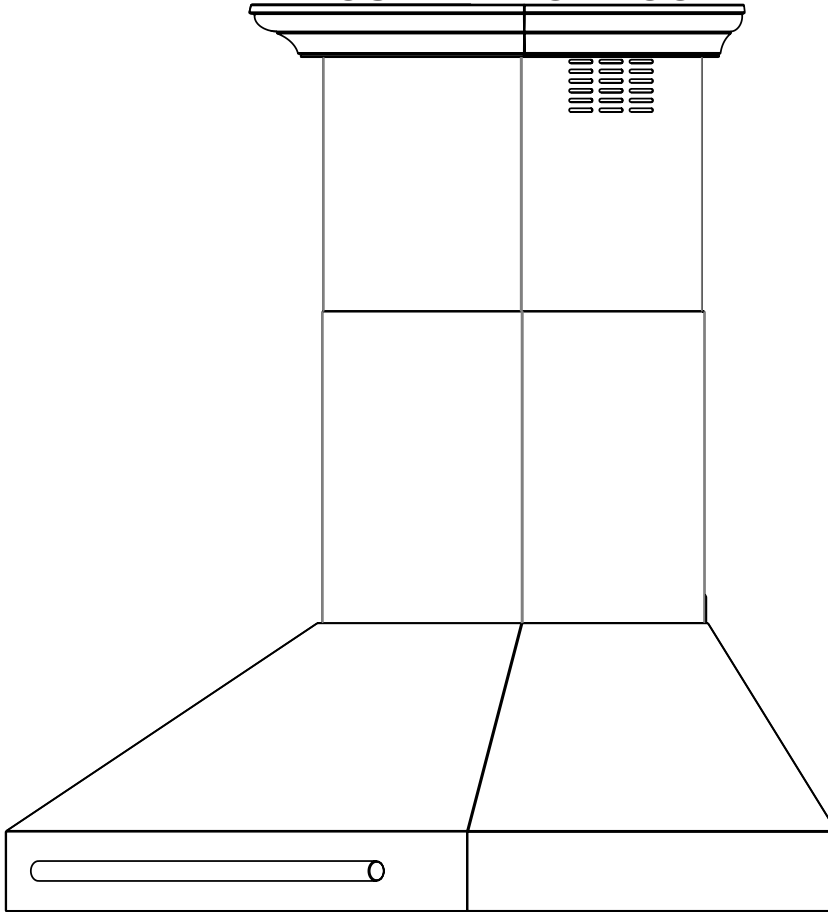
Read these instructions carefully before using your appliance, and keep them carefully.  
If you follow the instructions, your appliance will provide you with many years of good service.

04/2025

## TABLE OF CONTENTS

Customer Care	4
Warranty	5-6
Safety Instructions	7-10
Overall Dimensions	11-12
View From The Front/Side.....	11
View From The Top.....	12
Installation Preparation	13-17
Tools and Material Required.....	13
Mounting Height & Clearance.....	14
Ducting.....	14
Duct Run Calculation.....	14
Duct Size.....	14
Important Note Regarding Flexible Ducts.....	14
Provided Parts.....	15-16
Handle Installation.....	17
Installation	18-21
Hood Installation.....	18-19
Duct Installation.....	19
Power Outlet Installation.....	20
Duct Connection.....	20
Chimney Installation.....	21
Operations	22-23
Control Panel.....	22
Light Bulbs.....	22
Technical Specifications.....	22
Maintenance & Cleaning	23
Surface Maintenance.....	23
Filters.....	23
Hood Cleaning.....	23
Cleaning Tips.....	23
Troubleshooting.....	24
Wire Diagram.....	25

## WALL MOUNT RANGE HOOD



### MODEL NUMBER SERIES

FRHWM5095-30 | FRHWM5095-30BLK | FRHWM5095-30WHT  
FRHWM5095-36 | FRHWM5095-36BLK | FRHWM5095-36WHT  
FRHWM5095-48 | FRHWM5095-48BLK | FRHWM5095-48WHT  
FRHWM5095-60 | FRHWM5095-60BLK | FRHWM5095-60WHT

## CUSTOMER CARE

Thank you for purchasing a Frono product. Please read the entire instruction manual before operating your new appliance for the first time. Whether you are an occasional user or an expert, it will be beneficial to familiarize yourself with the safety practices, features, operation and care recommendations of your appliance.

Both the model and serial number are listed inside the product. For warranty purposes, you will also need the date of purchase .

Record this information below for future reference.

### Product Information

Model Number: \_\_\_\_\_

Serial Number: \_\_\_\_\_

Date of Purchase: \_\_\_\_\_

Purchase Address And Phone: \_\_\_\_\_

### Service Information

Use these numbers in any correspondence or services calls concerning your product.

If you received a damaged product, immediately contact Forno.

Check the troubleshooting guide before you call for service. It lists the causes of minor operation problems that you can correct yourself.



*“Need some quick help? Simply scan the qr code and get access to our fast support form. We’re always here to assist you with any questions or concerns you may have. So, don’t hesitate to reach out!”*

### Services in Canada and Untied States

Keep the instruction manual handy to answer your questions. You can also find all the information you need on-line at [www.forno.ca](http://www.forno.ca).

If you don’t understand something or need more assistance, please visit our website or email: [info@forno.ca](mailto:info@forno.ca)

If there is a problem, please contact FORNO customer service. Please note that troubleshooting with a customer service representative will be needed before being able to send a service provider. All warranty work needs to be authorized by FORNO customer service. All our authorized service providers are carefully selected and rigorously trained by us.

## WARRANTY

---

### What this limited warranty covers:

The Warranty coverage provided by Forno Appliances in this statement applies exclusively to the original Forno appliance ("Product") sold to the consumer ("Purchaser") by an authorized Forno dealer/distributor/retailer, purchased and installed in the United States or Canada, and which has always remained within the original country of purchase (the United States or Canada). Warranty coverage is activated on the date of the Product's original retail purchase and has a duration of two (2) years.

Warranty coverage is non-transferable. In the event of replacement of parts or of the entire product, the replacement Product (or parts) shall assume the remaining original Warranty activated with the original retail purchase document. This Warranty shall not be extended with respect to such replacement. Forno Appliances will repair or replace any component/part which fails or proves defective due to materials and/or workmanship within 2 years of the date of the original retail purchase and under conditions of ordinary residential, non-commercial use. Repair or replacement will be free of charge, including labor at standard rates and shipping expenses. Purchaser is responsible for making the Product reasonably accessible for service. Repair service must be performed by a Forno Authorized Service company during normal working hours.

### Important

Retain proof of original purchase to establish warranty period. Forno's liability on any claim of any kind, with respect to the goods and/or services provided, shall in no event exceed the value of the goods or service or part there of which has given rise to the claim.

### 30-Day Cosmetic Warranty

The Purchaser must inspect the product at the time of delivery. Forno warrants that the Product is free from manufacturing defects in materials and workmanship for a period of thirty (30) days from date of the original retail purchase of the Product.

This coverage includes:

- Paint blemishes
- Chips
- Macroscopic finish defects

### Cosmetic warranty does NOT cover:

- Issues resulting from incorrect transport, handling and/or installation (e.g.: dents, broken, warped or deformed structures or components, cracked or otherwise damaged glass components);
- Slight color variations on painted/enamelled components;
- Differences caused by natural or artificial lighting, location or other analogous factors;
- Stains/corrosion/discoloration caused by external substances and/or environmental factors;
- Labor costs, display, floor, B-stock, out- of-box, "as is" appliances and demo units.

### How to receive service

To receive warranty services, the Purchaser must contact the Forno Support department in order to determine the problem and the required service procedures. Troubleshooting with a customer service representative will be necessary before moving forward with the service. Model number, serial number and date of original retail purchase will be requested.

## Warranty Exclusions: What Is Not Covered.

- Use of the Product in any non-residential, commercial
- Use of the Product for anything other than its intended purpose.
- Repair services provided by anyone other than a Forno Authorized Service agency.
- Damages or repair services to correct services provided by unauthorized parties or the use of unauthorized parts.
- Installation not in accordance with local/state/city/county fire codes, electrical codes, gas codes, plumbing codes, building codes, laws or regulations.
- Defects or damage due to improper storage of the Product.
- Defects, damage or missing parts on products sold out of the original factory packaging or from displays.
- Service calls or repairs to correct an incorrect installation of the Product and/or related accessories.
- Replacement of parts/service calls to connect, convert or otherwise repair the electrical wiring and/or gas line in order to properly use the product.
- Replacement of parts/service calls to provide instructions and information on the use of the Product.
- Replacement of parts/service calls to correct issues arising from the product being used in a manner other than what is normal and customary for residential use.
- Replacement of parts/service calls due to wear and tear of components such as seals, knobs, pan supports, shelving, cutlery baskets, buttons, touch displays, scratched or broken ceramic-glass tops.
- Replacement of parts/service calls for lack of/improper maintenance, including but not limited to: build up of residues, stains, scratches, discoloration, corrosion.
- Defects and damages arising from accidents, alteration, misuse, abuse or improper installation.
- Defects and damages arising from Product transport, logistics and handling. Inspection of the product must be made at time of delivery. Following receipt and inspection, the selling dealer/delivery company must be notified of any issues arising from handling, transport and logistics.
- Defects and damages arising from external forces beyond the control of Forno Appliances, including but not limited to wind, rain, sand, fires, floods, mudslides, freezing temperatures, excessive moisture or extended exposure to humidity, power surges, lightning, structural failures surrounding the appliance and other acts of God.
- Products whose serial number has been altered/damaged/tampered with. In no case shall Forno be held liable or responsible for damage to surrounding property, including furniture, cabinetry, flooring, panels, and other structures surrounding the Product. Forno is neither liable nor responsible for the Product if it is located in a remote area or an area where certified trained technicians are not reasonably available. Purchaser must bear any transportation and delivery costs of the Product to the nearest Authorized Service Center or the additional travel expenses of a certified trained technician.

THERE ARE NO EXPRESS WARRANTIES OTHER THAN THOSE LISTED AND DESCRIBED ABOVE, AND NO WARRANTIES, EITHER EXPRESS OR IMPLIED, INCLUDING, BUT NOT LIMITED TO, ANY IMPLIED WARRANTIES OF MERCHANTABILITY OR FITNESS FOR A PARTICULAR PURPOSE THAT SHALL APPLY AFTER THE EXPRESS WARRANTY PERIODS STATED ABOVE, AND NO OTHER EXPRESS WARRANTY OR GUARANTEE GIVEN BY ANY PERSON, FIRM OR CORPORATION WITH RESPECT TO THIS PRODUCT SHALL BE BINDING ON FORNO. FORNO SHALL NOT BE LIABLE FOR LOSS OF REVENUE OR PROFITS, FAILURE TO REALIZE SAVINGS OR OTHER BENEFITS, TIME AWAY FROM WORK, MEALS, LOSS OF FOOD OR BEVERAGES, TRAVELING OR HOTEL EXPENSES, EXPENSES TO RENT OR PURCHASE APPLIANCES, REMODELING/CONSTRUCTION EXPENSES IN EXCESS OF DIRECT DAMAGES WHICH ARE UNDENIABLY CAUSED EXCLUSIVELY BY FORNO OR ANY OTHER SPECIAL, INCIDENTAL OR CONSEQUENTIAL DAMAGES CAUSED BY THE USE, MISUSE OR INABILITY TO USE THIS PRODUCT, REGARDLESS OF THE LEGAL THEORY ON WHICH THE CLAIM IS BASED, AND EVEN IF FORNO HAS BEEN ADVISED OF THE POSSIBILITY OF SUCH DAMAGES. NOR SHALL RECOVERY OF ANY KIND AGAINST FORNO BE GREATER IN AMOUNT THAN THE PURCHASE PRICE OF THE PRODUCT SOLD BY FORNO AND CAUSING THE ALLEGED DAMAGE. WITHOUT PREJUDICE TO THE FOREGOING, PURCHASER ASSUMES ALL RISK AND LIABILITY FOR LOSS, DAMAGE OR INJURY TO PURCHASER AND PURCHASER'S PROPERTY AND TO OTHERS AND THEIR PROPERTY ARISING FROM THE USE, MISUSE, OR INABILITY TO USE THIS PRODUCT SOLD BY FORNO THAT IS NOT A DIRECT RESULT OF NEGLIGENCE ON THE PART OF FORNO THIS LIMITED WARRANTY SHALL NOT EXTEND TO ANYONE OTHER THAN THE ORIGINAL PURCHASER OF THIS PRODUCT, IS NON-TRANSFERABLE, AND STATES YOUR EXCLUSIVE REMEDY.

## SAFETY INSTRUCTIONS



This is the safety alert symbols. These symbols alert you to potential hazards that can hurt you and others. All safety messages will follow the safety alert symbols.

### READ AND SAVE ALL INSTRUCTIONS BEFORE INSTALLING OR USING THE UNIT.

- The installation instructions in this manual are intended for qualified installers, service technicians, or persons with similar qualified background. Installation and electrical wiring must be done by qualified professionals and in accordance with all applicable codes and standards, including first-rated construction. DO NOT attempt to install this appliance yourself. Injury could result from installing the unit due to lack of appropriate electrical and technical background. Due to the size and weight of this range hood, two people installation is recommended.
- Range hood may have very sharp edges; please wear protective gloves if it is necessary to remove any parts for installing, cleaning, or servicing.
- Activating any switch ON before completing installation may cause ignition or an explosion.

### WARNING - TO REDUCE THE RISK OF FIRE, ELECTRIC SHOCK, OR INJURY TO PERSON(S), OBSERVE THE FOLLOWING:

- Your safety and the safety of others is very important. We have provided many important safety messages in this manual and on your appliance. Always read and obey all safety messages. All safety messages will tell you what the potential hazard is, tell you how to reduce the chance of injury, and tell you what can happen if the instructions are not followed.
- All electrical wiring must be properly installed, insulated, and grounded.
- Old duct work should be cleaned or replaced, if necessary, to avoid the possibility of a grease fire. Check all joints on duct work to ensure proper connection; all joints should be properly taped.
- When the range hood ventilates the air out of the room, the air vented must be replaced. This is called make-up air. If a makeup air system is needed but not used, a hood may not function as expected due to negative air pressure. We do not currently provide a make-up air unit. Always consult any applicable building codes in your area regarding minimum and maximum airflow rates. Certain states may require additional items such as make-up air for larger CFM range hoods (typically over 300 CFM).
- To reduce the risk of fire and to disperse air properly, make sure to vent air outside. DO NOT vent exhaust into spaces between walls, crawl spaces, ceilings, attics, or garages.
- For residential ventilating use only. DO NOT use to exhaust hazardous or explosive materials and vapors. The combustion air flow needed for safe operation of fuel-burning equipment may be affected by this unit's operation. Follow the heating equipment manufacturer's guideline.
- Safety standards such as those published by the National Fire Protection Association (NFPA), and the American Society of Heating, Refrigeration and Air Conditioning Engineers (ASHRAE), and the local code authorities. Sufficient air is needed for proper combustion and exhausting of gases through the duct to prevent back drafting.
- Ducted range hoods MUST ALWAYS be vented to the outdoors. All our range hoods come with a transition piece with a built-in damper. Some existing installations may already have an external damper. Please consult an HVAC or installation professional for advice to comply with local regulations.
- Keep all fans, baffle, spaces, filter, grease tunnel, oil container, and grease-laden surfaces clean. Grease should not be allowed to accumulate on fan, baffle, spaces, filter, grease tunnel, or oil container. Clean grease-laden surfaces frequently.
- This appliance is designed to be operated by adults. Children are not allowed to tamper with the controls or play with this appliance.
- To reduce the risk of fire or electric shock, do not use this fan with any solid-state speed control device.
- When cutting or drilling into wall or ceiling, do not damage electrical wiring and other hidden utilities.

## **SAFETY INSTRUCTIONS**

---

- Before servicing or cleaning the unit, switch power OFF at the service panel and lock the service panel to prevent power from being switched ON accidentally.
- Use this unit only in the manner intended by the manufacturer. If you have any questions, contact FORNO.

### **TO REDUCE THE RISK OF INJURY TO PERSONS IN THE EVENT OF A STOVE TOP GREASE FIRE:**

- All FORNO range hoods are ETL listed, ensuring all parts were tested for safety and meet industry standards and regulations. NOTE: This ensures all included metal ducting pieces were tested for safety and are flame retardant.
- Always turn hood ON when cooking at high heat or when cooking flaming foods (Crepes Suzette, Cherries Jubilee, Peppercorn Beef Flambé). Never leave surface units unattended at high settings. Boil-overs cause smoking and greasy spillovers that may ignite. Heat oils slowly on low or medium settings.
- Clean hood frequently. Grease should not be allowed to accumulate on fan or filter.
- Use proper pan size.
- Always use cookware appropriate for the size of the surface element. prevent power from being switched ON accidentally.

### **WARNING – TO REDUCE THE RISK OF A RANGE TOP GREASE FIRE:**

- a) Never leave surface units unattended at high settings. Boilovers cause smoking and greasy spillovers that may ignite. Heat oils slowly on low or medium settings.
- b) Always turn hood ON when cooking at high heat or when flambeing food (i.e. Crepes Suzette, Cherries Jubilee, Peppercorn Beef Flambe).
- c) Clean ventilating fans frequently. Grease should not be allowed to accumulate on fan or filter.
- d) Use proper pan size. Always use cookware appropriate for the size of the surface element.

### **WARNING – TO REDUCE THE RISK OF INJURY TO PERSONS IN THE EVENT OF A RANGE TOP GREASE FIRE, OBSERVE THE FOLLOWING:**

- a) SMOTHER FLAMES with a close-fitting lid, cookie sheet, or metal tray, then turn off the burner. BE CAREFUL TO PREVENT BURNS. If the flames do not go out immediately, EVACUATE AND CALL THE FIRE DEPARTMENT.
- b) NEVER PICK UP A FLAMING PAN – You may be burned.
- c) DO NOT USE WATER, including wet dishcloths or towels – a violent steam explosion will result.
- d) Use an extinguisher ONLY if:
  - 1) You know you have a Class ABC extinguisher, and you already know how to operate it.
  - 2) The fire is small and contained in the area where it started.
  - 3) The fire department is being called.
  - 4) You can fight the fire with your back to an exit.

**CAUTION:** For General Ventilating Use Only. Do Not Use To Exhaust Hazardous Or Explosive Materials And Vapors.

**WARNING: TO REDUCE THE RISK OF FIRE, ELECTRIC SHOCK OR INJURY TO PERSONS, DO NOT USE REPLACEMENT PARTS THAT HAVE NOT BEEN RECOMMENDED BY THE MANUFACTURER.**

## **SAFETY INSTRUCTIONS**

---

### **WARNING: TO REDUCE THE RISK OF FIRE, USE ONLY METAL DUCTWORK.**

This appliance is not intended for use by persons (including children) with reduced physical, sensory or mental capabilities, or lack of experience and knowledge, unless they have been given supervision or instruction concerning use of the appliance by a person responsible for their safety.

Children should be supervised to ensure that they do not play with the appliance.

If the SUPPLY CORD is damaged, it must be replaced by the manufacturer, its service agent or similarly qualified persons in order to avoid a hazard.

There shall be adequate ventilation of the room when the range hood is used at the same time as appliances burning gas or other fuels (not applicable to appliances that only discharge the air back into the room);

The details concerning the method and frequency of cleaning;

There is a fire risk if cleaning is not carried out in accordance with the instructions;

Do not flambé under the range hood;

**CAUTION:** Accessible parts may become hot when used with cooking appliances. The air must not be discharged into a flue that is used for exhausting fumes from appliances burning gas or other fuels.

The minimum distance between the supporting surface for the cooking vessels on the hob and the lowest part of the range hood. (When the range hood is located above a gas appliance, this distance shall be at least 65 cm. If the instructions for installation for the gas hob specify a greater distance, this has to be taken into account. The distance of 65 cm can be reduced for

- non-combustible parts of range hoods, and or
  - parts operating at safety extra low voltage,
- provided these parts do not give access to live parts if deformed);
- regulations concerning the discharge of air have to be fulfilled.

### **GROUNDING INSTRUCTIONS**

This appliance must be grounded. In the event of an electrical short circuit, grounding reduces the risk of electric shock by providing an escape wire for the electric current. This appliance is equipped with a cord having a grounding wire with a grounding plug. The plug must be plugged into an outlet that is properly installed and grounded.

**WARNING** – Improper grounding can result in a risk of electric shock.

Consult a qualified electrician if the grounding instructions are not completely understood, or if doubt exists as to whether the appliance is properly grounded.

Do not use an extension cord. If the power supply cord is too short, have a qualified electrician install an outlet near the appliance.

The grounding-type attachment plug provided with this appliance shall be connected to a grounding-type receptacle installed in accordance with CSA C22.1, Canadian Electrical Code, Part I.

In the event of an electrical short circuit, bonding to ground reduces the risk of electric shock.

**WARNING:** Improper bonding to ground can result in a risk of electric shock.

Consult a qualified electrician if the grounding instructions are not completely understood, or if doubt exists as to whether the appliance is properly bonded to ground.

Do not use an extension cord. If the power supply cord is too short, have a qualified electrician install an outlet near the appliance.

## **SAFETY INSTRUCTIONS**

---

### **IMPORTANT NOTES**

NOTE 1 : Carefully remove the plastic film (if they have) from all exterior surfaces of the hood and chimney prior to the final installation

NOTE 2: Lay out the vent duct system before installing the range hood to determine the best routing for the vent duct.

NOTE 3: It is recommended that the system be installed before the range hood is installed.

NOTE 4: Before making the cutouts, make sure there is proper clearance within the ceiling for the exhaust vent

NOTE 5: Range hood is to be installed 30" minimum from the cooking surface.

NOTE 6: Check you ceiling height and the range hood maximum height before you install the range hood

NOTE 7 : A minimum of two persons is required to install the unit.

NOTE 8 : The air outlet adapter on the FRHWM5095-30 in stainless steel, black and white is pre-installed on the unit.

### **DESCRIPTION / CONNECTION**

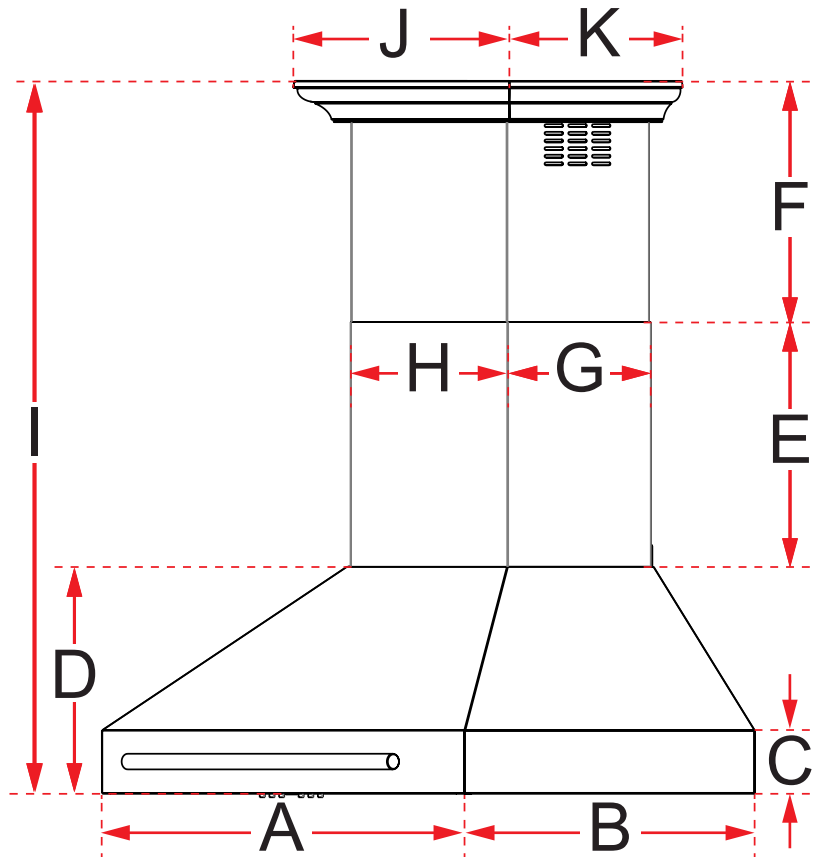
This range hood shall be mounted directly to the support frame mounting, where the support frame flue shall secure to the ceiling joist or framework.

- Ductwork needs to be installed at the top of the unit where the motor(s) exhaust.
- Duct runs should be as short as possible.
- Avoid the use of elbows.
- Use duct tape at all joints.
- Do not use duct smaller than the discharge on the hood.

### **ELECTRICAL CONNECTION**

- Electrical wiring must be done by a qualified person(s) in accordance with all applicable codes and standards. Turn off electrical power at service entrance before wiring.
- If the supply cord is damaged, it must be replaced by the manufacturer, its service agent, or similarly qualified persons to avoid a hazard.
- Do not use the plug and an extension cord other than the ones initially supplied with the hood.
- The earthing of this hood is compulsory. Do not remove ground prong of the plug.

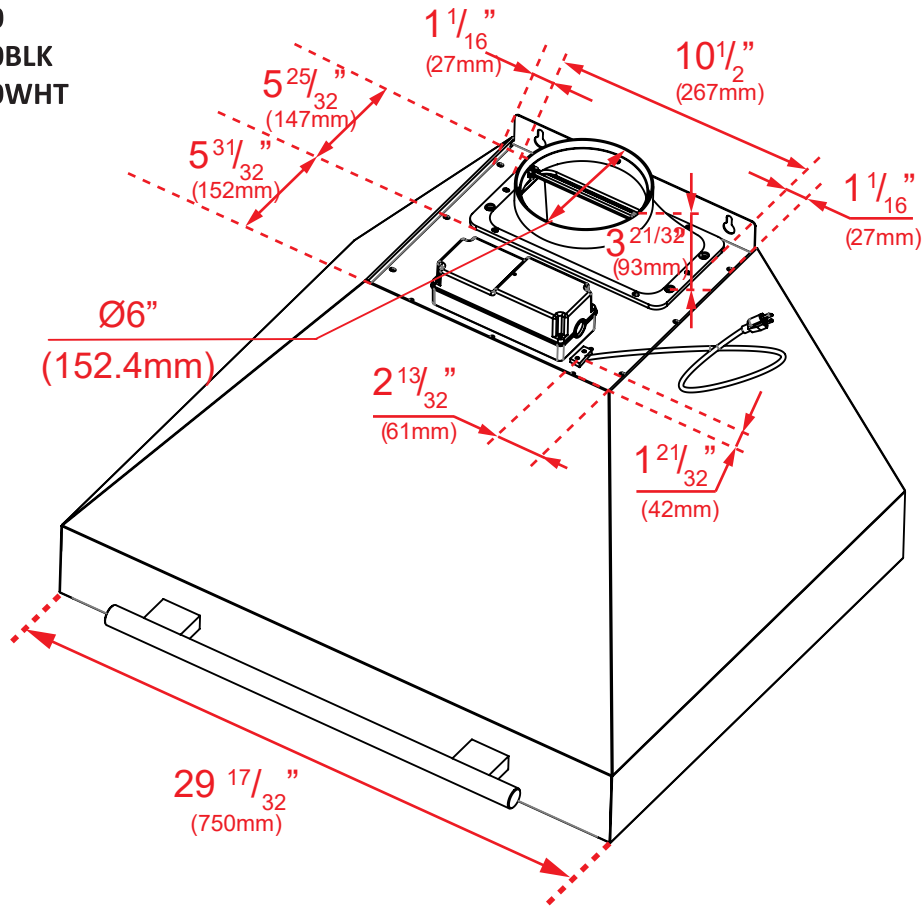
**OVERALL DIMENSIONS - VIEW FROM THE FRONT/SIDE**



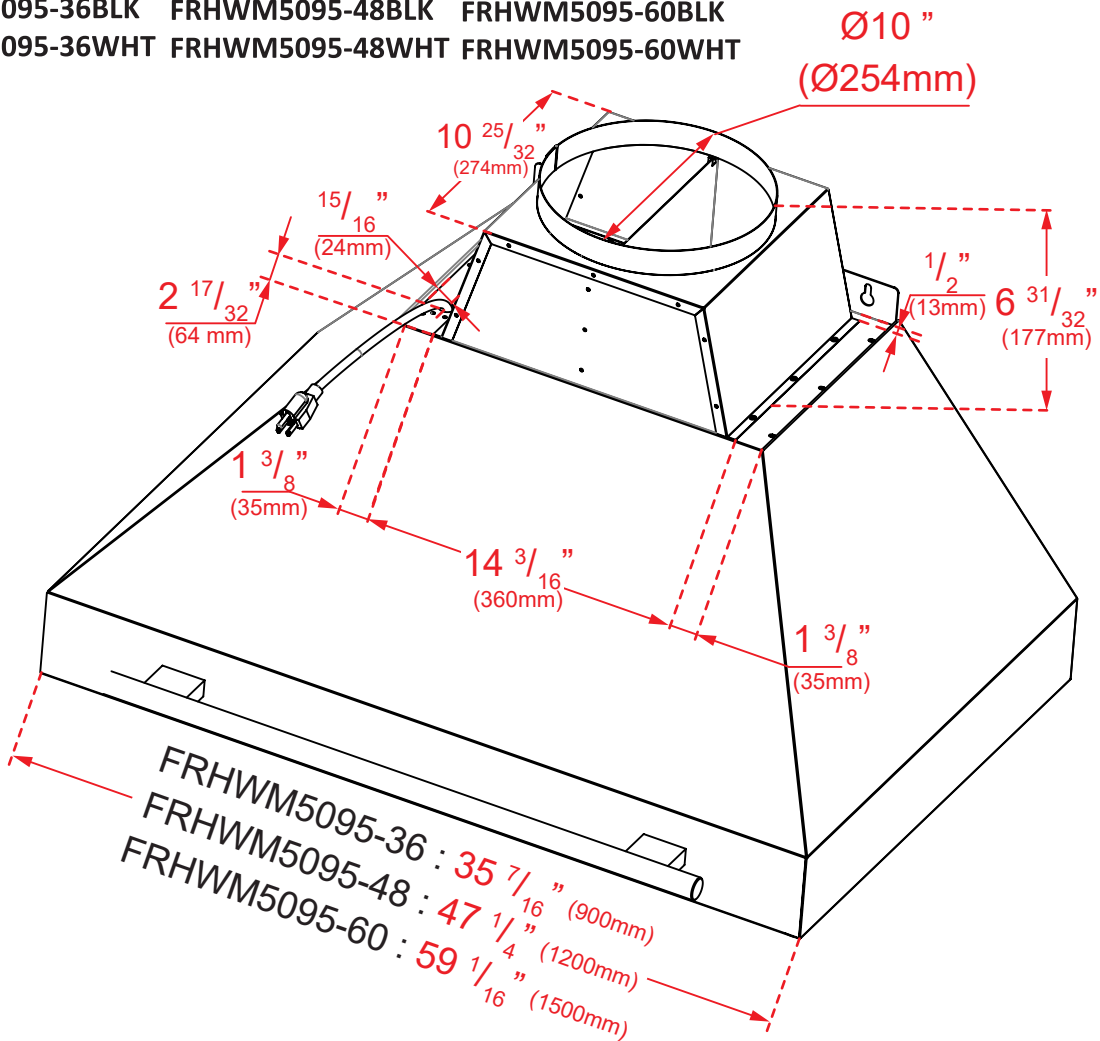
	FRHWM5095-30 FRHWM5095-30BLK FRHWM5095-30WHT	FRHWM5095-36 FRHWM5095-36BLK FRHWM5095-36WHT	FRHWM5095-48 FRHWM5095-48BLK FRHWM5095-48WHT	FRHWM5095-60 FRHWM5095-60BLK FRHWM5095-60WHT
<b>A</b>	29 <sup>17</sup> / <sub>32</sub> " 750mm	35 <sup>7</sup> / <sub>16</sub> " 900mm	47 <sup>1</sup> / <sub>4</sub> " 1200mm	59 <sup>1</sup> / <sub>16</sub> " 1500mm
<b>B</b>	23 <sup>5</sup> / <sub>8</sub> " 600mm	23 <sup>5</sup> / <sub>8</sub> " 600mm	23 <sup>5</sup> / <sub>8</sub> " 600mm	23 <sup>5</sup> / <sub>8</sub> " 600mm
<b>C</b>	3 <sup>15</sup> / <sub>16</sub> " 100mm	3 <sup>15</sup> / <sub>16</sub> " 100mm	3 <sup>15</sup> / <sub>16</sub> " 100mm	3 <sup>15</sup> / <sub>16</sub> " 100mm
<b>D</b>	14 <sup>3</sup> / <sub>16</sub> " 360mm	14 <sup>3</sup> / <sub>16</sub> " 360mm	14 <sup>3</sup> / <sub>16</sub> " 360mm	14 <sup>3</sup> / <sub>16</sub> " 360mm
<b>E</b>	15 <sup>5</sup> / <sub>8</sub> " 397mm	15 <sup>5</sup> / <sub>8</sub> " 397mm	15 <sup>5</sup> / <sub>8</sub> " 397mm	15 <sup>5</sup> / <sub>8</sub> " 397mm
<b>F</b>	15 <sup>5</sup> / <sub>32</sub> " 385mm	15 <sup>5</sup> / <sub>32</sub> " 385mm	15 <sup>5</sup> / <sub>32</sub> " 385mm	15 <sup>5</sup> / <sub>32</sub> " 385mm
<b>G</b>	11 <sup>11</sup> / <sub>16</sub> " 297mm	11 <sup>11</sup> / <sub>16</sub> " 297mm	11 <sup>11</sup> / <sub>16</sub> " 297mm	11 <sup>11</sup> / <sub>16</sub> " 297mm
<b>H</b>	12 <sup>11</sup> / <sub>16</sub> " 322mm	16 <sup>23</sup> / <sub>32</sub> " 425mm	16 <sup>23</sup> / <sub>32</sub> " 425mm	6 <sup>23</sup> / <sub>32</sub> " 425mm
<b>I</b>	44 <sup>31</sup> / <sub>32</sub> " 1142mm	44 <sup>31</sup> / <sub>32</sub> " 1142mm	44 <sup>31</sup> / <sub>32</sub> " 1142mm	44 <sup>31</sup> / <sub>32</sub> " 1142mm
<b>J</b>	17 <sup>17</sup> / <sub>32</sub> " 445mm	21 <sup>21</sup> / <sub>32</sub> " 550mm	21 <sup>21</sup> / <sub>32</sub> " 550mm	1 <sup>21</sup> / <sub>32</sub> " 550mm
<b>K</b>	14 <sup>3</sup> / <sub>32</sub> " 358mm	14 <sup>3</sup> / <sub>32</sub> " 358mm	14 <sup>3</sup> / <sub>32</sub> " 358mm	14 <sup>3</sup> / <sub>32</sub> " 358mm

**OVERALL DIMENSIONS - VIEW FROM THE TOP**

FRHWM5095-30  
 FRHWM5095-30BLK  
 FRHWM5095-30WHT



FRHWM5095-36      FRHWM5095-48      FRHWM5095-60  
 FRHWM5095-36BLK    FRHWM5095-48BLK    FRHWM5095-60BLK  
 FRHWM5095-36WHT    FRHWM5095-48WHT    FRHWM5095-60WHT

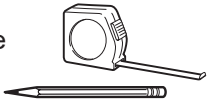







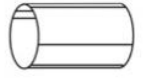




FRHWM5095-36 : 35 7/16" (900mm)  
 FRHWM5095-48 : 47 1/4" (1200mm)  
 FRHWM5095-60 : 59 1/16" (1500mm)

## INSTALLATION PREPARATION

- Please plug in and check that all functions are working.

### TOOLS AND MATERIAL REQUIRED (Not Supplied)

Check Box	Tools
	Tape measure Pencil 
	Certified metal duct tape 
	Utility knife 
	Wire cutter/Stripper 
	Level 
	Safety glasses 
	Phillips screwdriver 
	Wire nuts 
	6" or 10" round metal duct 
	Saber saw or sawzall 

Check Box	Tools
	Flathead screwdriver 
	Long nose pliers 
	Wrench 
	Electric drill *1/8", 3/8" & 1/2" bits 
	Hammer 
	Safety gloves 
	Step ladder 
	Metal Snips 
	Keyhole Saw 
	Flashlight 
	Stain relief joint cover 

## INSTALLATION PREPARATION

### MOUNT HEIGHTS & CLEARANCE

The minimum mounting height between range top to hood bottom should be no less than 30". The maximum height should be 36" above the cooktop (please note that the 36", 48" & 60" unit can install up to 42" above the cooktop, but it may result in a loss of efficiency).

It is important to install the hood at the proper mounting height. Hoods mounted too low could result in heat damage and fire hazard; while hoods mounted too high will be hard to reach and will lose its performance and efficiency.

### DUCTING (NOT PROVIDED)

NEVER exhaust air or terminate duct work into spaces between walls, crawl spaces, ceiling, attics, or garages. All exhaust must be ducted to the outside. Use metal ductwork only. Fasten all connections with sheet metal screws and tape all joint with certified Silver Tape or Metal Duct Tape.

### DUCT RUN CALCULATION:

Item	Penalty to duct run
Maximum Run (6" or 3-1/4" x 10" duct)	100 feet
Each 90° elbow	Deduct 15 feet
Each 45° elbow	Deduct 9 feet
Each 6" or 3-1/4" x 10" transition	Deduct 1 feet
Each 3-1/4" x 10" to 6" transition	Deduct 5 feet
Side wall cap with damper	Deduct 30 feet
Roof cap	Deduct 30 feet

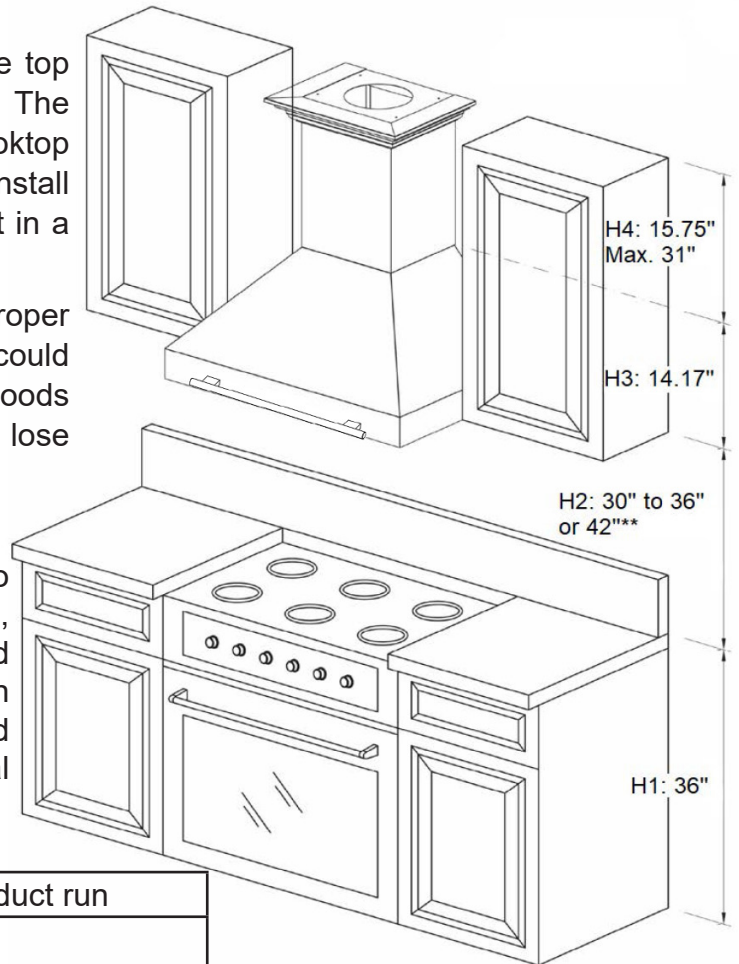
### DUCT SIZE

A minimum of  $\phi$  6" for 30" & 10" for 36", 48" and 60" round duct must be used to maintain maximum airflow efficiency.

Flexible ducts are provided for convenience; always **use rigid type metal ducts to maximize airflow.**

Also use calculation (on left) to compute total available duct run when using elbows, transitions, and caps.

ALWAYS reduce the number of transitions and turns. If required, a long duct increases duct size from 6" to 8" for the 30" & from 10" to 12" for the 36", 48" and 60".



e.g. - 1 roof cap, 2x90° elbows, 1x45° elbow = 30' + (2 x 15') + 9' = 69' used, 31' available for straight duct runs

If a reducer is used, install a long reducer instead of a pancake reducer. Reduce duct size as far away from the opening as possible.

If turns or transitions are required: Install as far away from opening and as far apart, between 2, as possible.

### IMPORTANT NOTE REGARDING FLEXIBLE DUCTS:

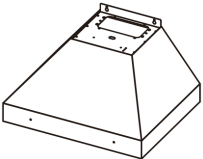
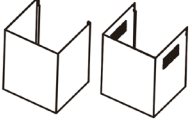

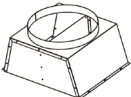



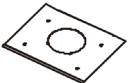


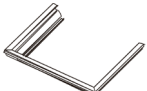

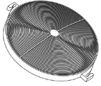

If flexible ducting is used instead of rigid metal ducting, it is necessary to reduce the maximum allowable duct run by an additional 10% to 15%.

Flexible ducts create more air resistance and reduce overall airflow efficiency compared to rigid ducts.

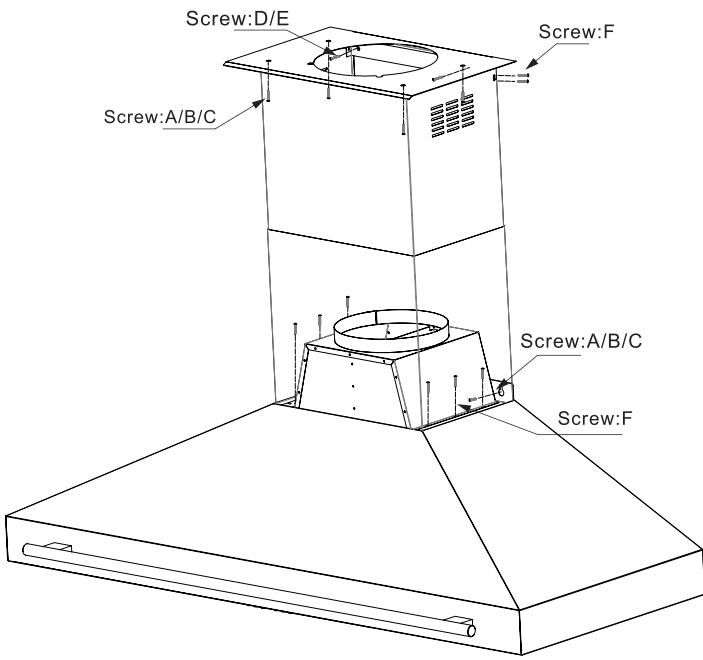
## INSTALLATION PREPARATION

### PROVIDED PARTS

Please unpack your range hood when it is delivered and inspect to ensure all parts are included.

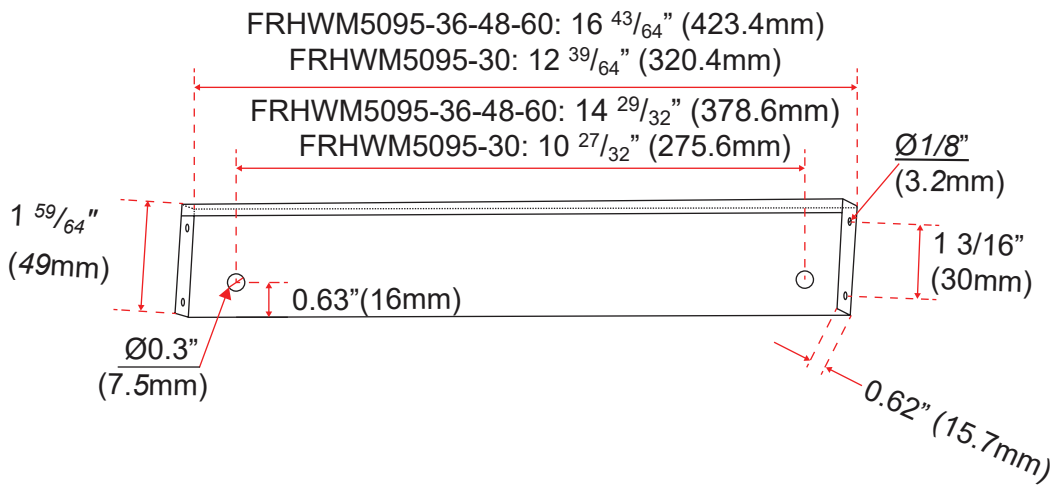
	Hood body with lights and controls pre-installed
	Adjustable stainless-steel chimney cover (2x, 400mm high)
	Ø 6" Air outlet adapter (Only for FRHWM5095-30)
	Ø 10" Air outlet adapter (Only for FRHWM5095-36, FRHWM5095-48 & FRHWM5095-60)
	5 ft (1.5m) flexible duct (Ø 6" for FRHWM5095-30, Ø10" for FRHWM5095-36, FRHWM5095-48, FRHWM5095-60)
	Baffle filters (4x for FRHWM5095-30 & FRHWM5095-36, 6x for FRHWM5095-48, 8x FRHWM5095-60)
	Screws and anchors
	Decorative frame bracket
	Grease cup
	Chimney mounting bracket
	Decorative frame (crown)
	Handle
	Charcoal filter
	Instruction manual

# INSTALLATION PREPARATION

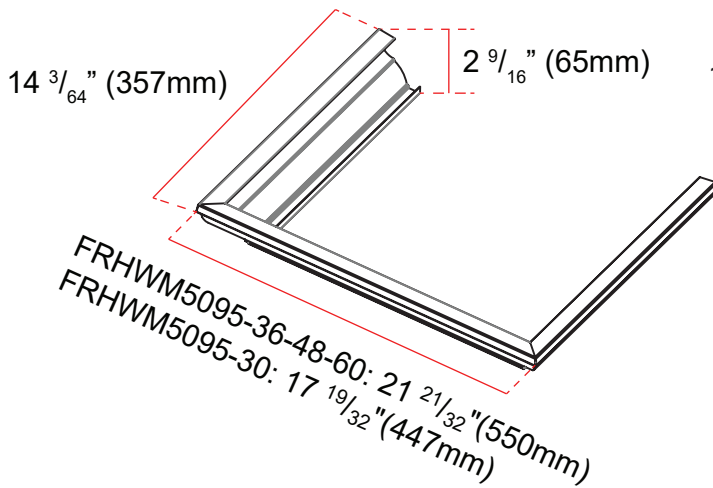


DRAWING	SCREW	DESCRIPTION
	A	Ø0.51" × 1.61" Spiral Plastic Expansion Anchor
	B	#6-32 × 1-3/8" Cross Recessed Pan Head Self-Tapping Screw
	C	Flat Washer, Ø0.197" × 0.472", Zinc Plated
	D	ST#3.5 × 1.18" Cross Recessed Flat Head Self-Drilling Screw
	E	Plastic Expansion Tube, Ø0.236" × 1.142"
	F	M4 × 0.472" - Screw with Cross Recess, Flat Round Head, Triangular Thread with Anti-Slip Teeth, Chrome Plated

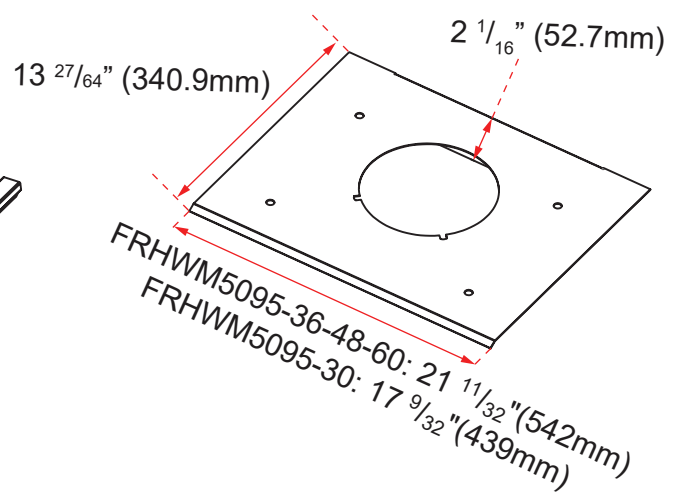
## UPPER CHIMNEY BRACKET



## DECORATIVE FRAME



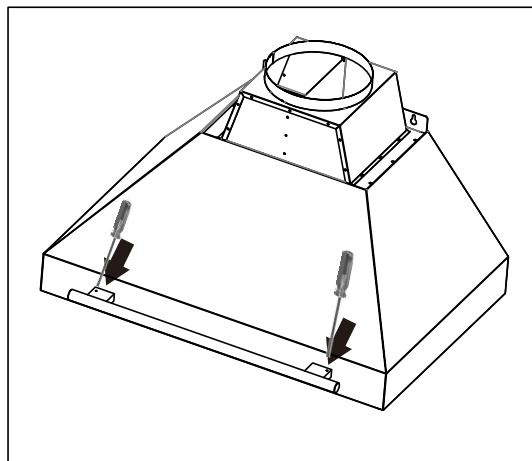
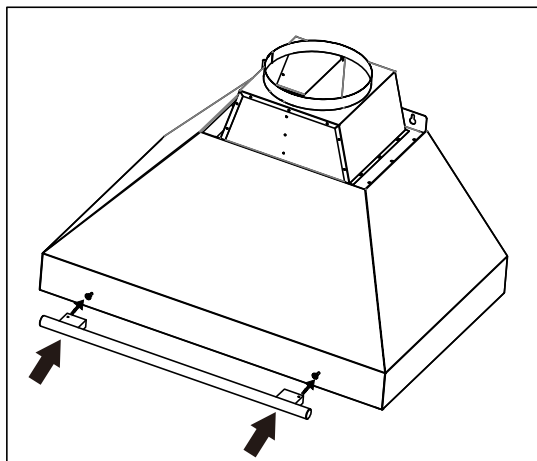
## DECORATIVE FRAME BRACKET



## HANDLE INSTALLATION

---

The handle is not pre-installed. Please follow the steps below to install it quickly and correctly:



1. Align the handle with the screw on the front of the range hood.
2. Then tighten the hexagon socket screws on the handle with a hexagon socket screwdriver.

# INSTALLATION

## HOOD INSTALLATION

### 1. Mark the Wall for Mounting

- Locate and mark the center of the wall where the hood will be installed.
- Ensure there is sufficient wall bracing to support the weight of the unit.
- Draw a vertical reference line from the mounting area upward to the ceiling (or as high as practical).
- Draw a horizontal line at the desired installation height — minimum 30" above the cooktop. See Figure 1.

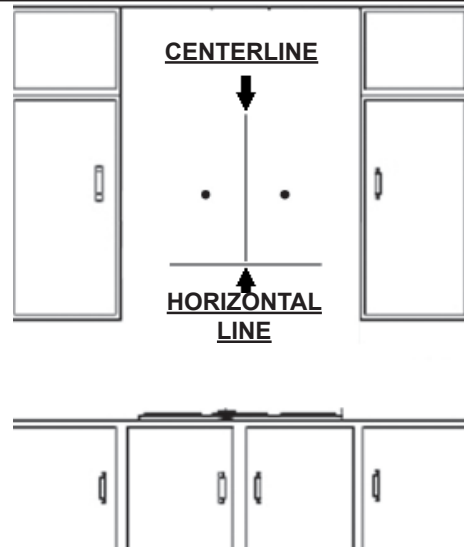


Figure 1.

### 2. Mark and Drill Mounting Points

- Place the hood against the wall, aligning the center of the hood with the vertical reference line and the bottom edge with the horizontal line.
- With the hood in position, mark the screw hole locations on the wall based on the hood's rear mounting slots.
- Remove the hood and drill 1/2" (0.50") holes at the marked points to fit the  $\Phi 0.51$ " spiral plastic expansion anchors (A). See Figure 2.

### 3. Insert Anchors and Screws

- Insert anchors (A) into the drilled holes until fully flush with the wall.
- Position flat washers (C) over the mounting holes.
- Drive the #6-32  $\times$  1-3/8" pan head screws (B) through the washers into the anchors.

**Important:** LEAVE EACH SCREW (B) PROTRUDING 1/4" FROM THE WALL. This gap is essential to properly seat the hood body into its rear mounting slots. Do not overtighten, as this may eliminate the gap and hinder installation.

### 4. Mount the Hood Body

- Hang the hood onto the #6-32 screws (B) installed into the expansion anchors (A), with flat washers (C) in place.
- Ensure the screws align with the mounting slots on the back of the hood.
- Verify the hood is level and aligned with the vertical reference line.
- Once properly seated, fully tighten the screws to secure the hood — without overtightening. See Figure 3.

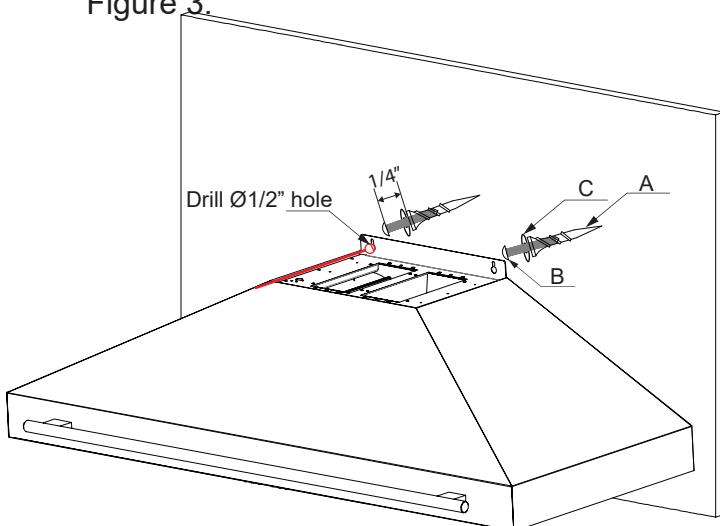


Figure 2.

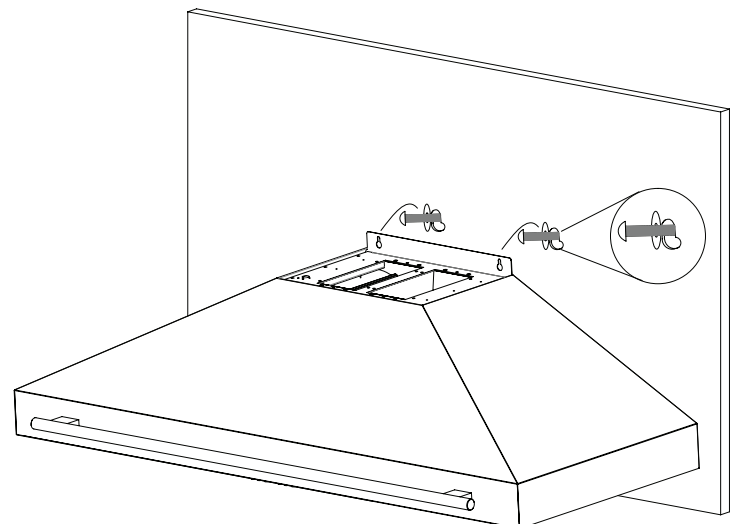


Figure 3.

## INSTALLATION

### 5. Position the Chimney Mounting Bracket

- Hold the chimney mounting bracket against the wall.
  - Align its center with the vertical reference line.
  - Position it 1/8" below the ceiling or upper limit.
  - Mark the bracket's screw hole locations on the wall.
- See Figure 4.

### 6. Install the Chimney Mounting Bracket

- Drill 1/4" (0.25") holes at the marked points.
  - Insert the  $\Phi 0.236" \times 1.142"$  plastic expansion tubes (E) fully into the drilled holes.
  - Secure the chimney mounting bracket using the ST#3.5  $\times 1.18"$  self-drilling screws (D).
  - Ensure the bracket is level and firmly attached, as it will support the upper chimney cover.
- See Figure 4.

### 7. Install the Decorative Frame Bracket

- Hold the decorative frame bracket against the wall, aligned with the vertical reference line at the appropriate height.
- Mark the bracket's screw hole locations.
- Drill 1/2" (0.50") holes at the marked points.
- Insert the  $\Phi 0.51" \times 1.61"$  spiral plastic expansion anchors (A) fully into the wall.
- Place flat washers (C) over the mounting holes.
- Fasten the bracket using the #6-32  $\times 1-3/8"$  pan head screws (B) through the washers into the anchors.
- Check that the bracket is level and securely fixed. See Figure 4.

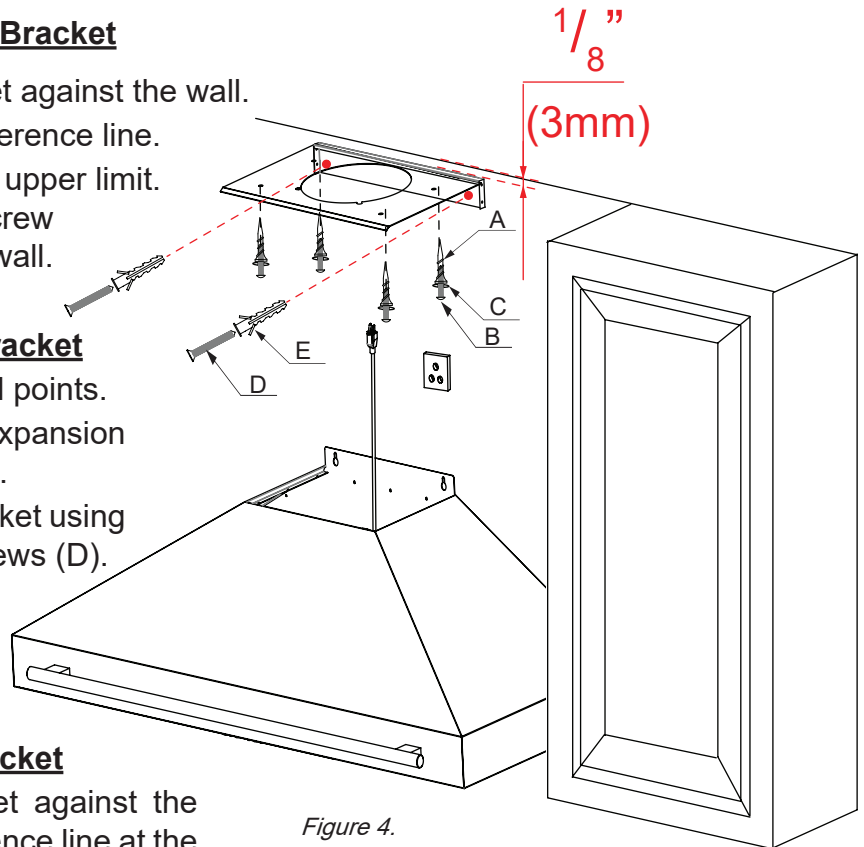


Figure 4.

## DUCT INSTALLATION

Caution: To reduce the risk of fire, use metal ductwork only.

8. Install the air outlet adapter over the hood using the provided M4  $\times 0.472"$  screws (F). Figure 5.
- NOTE : AIR OUTLET ALREADY PRE-INSTALLED ON FRHWM5095-30**
9. Make your ductin. You will need to minimize the use of elbows, since elbows and longer duct create higher static pressure. (See Connections section - page 17)
  10. Connect the duct with the air outlet adapter by using foil-backed tape to seal the joints and to hold it in place. Figure 6.

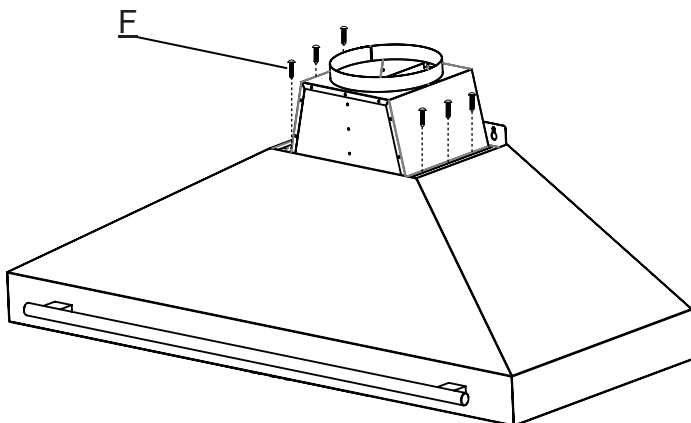


Figure 5.

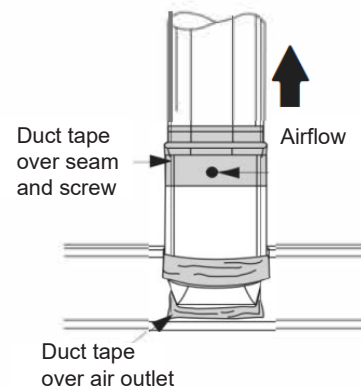


Figure 6.

## INSTALLATION

### POWER OUTLET INSTALLATION

11. Ensure a clear space behind the chimney for the power outlet. See Figures 7 and 8 for reference.
12. For exact measurements, refer to page 10 under “Overall Dimensions – View from the Top.”

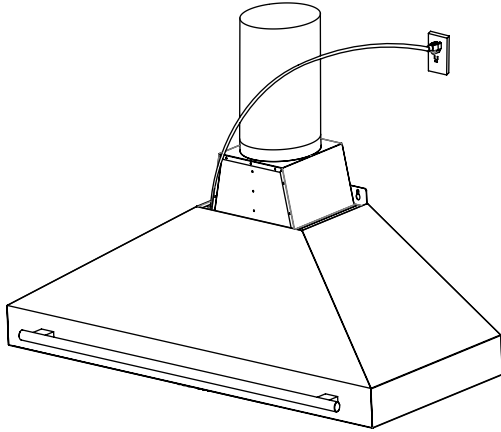


Figure 7.

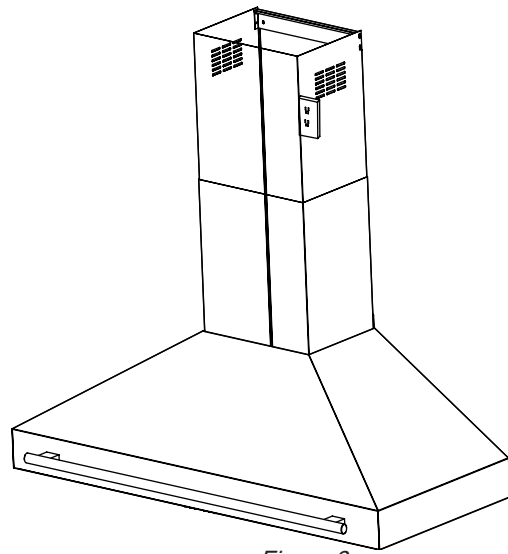


Figure 8.

### DUCT CONNECTION

Caution: To reduce the risk of fire, use metal ductwork is preferred.

1. Decide where the ductwork will run between the hood and the outside.
2. A straight, short duct run will allow the hood to perform most efficiently.
3. Long duct runs, elbows, and transitions will reduce the performance of the hood. Use as few of them as possible. Larger ducting may be required for best performance with longer duct runs.
4. The air must not be discharge into a flue that is used for exhausting fumes from appliances burning gas or other fuels regulations concerning the discharge of air have to be fulfilled.
5. Install a roof/wall cap. Connect round metal ductwork to cap and work back towards hood location. Use duct tape to seal the joints between ductwork sections

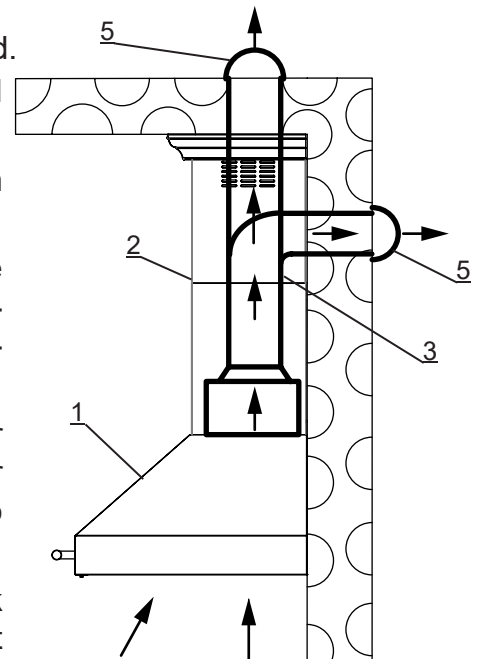


Figure 9.

### CHIMNEY ASSEMBLY

13. Insert the upper chimney section (2.1) inside the lower chimney section (2.2). Ensure the upper section can slide freely for later adjustment.

Ensure 2.1 slides smoothly and that the vertical vent slots remain exposed on the sides once the section is extended.

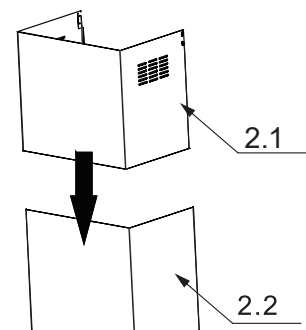


Figure 10.

## INSTALLATION

- Carefully place the two-part chimney assembly onto the top of the hood, ensuring it fits into the recessed area of the hood body.
- Extend the upper chimney section (2.1) upward until the vertical vent slots are fully visible and aligned with the chimney mounting bracket. Figure 12.
- Secure the upper section to the bracket using the provided M4 × 0.472" screws (F). Make sure both chimney sections are stable, aligned, and firmly seated. Figure 12.

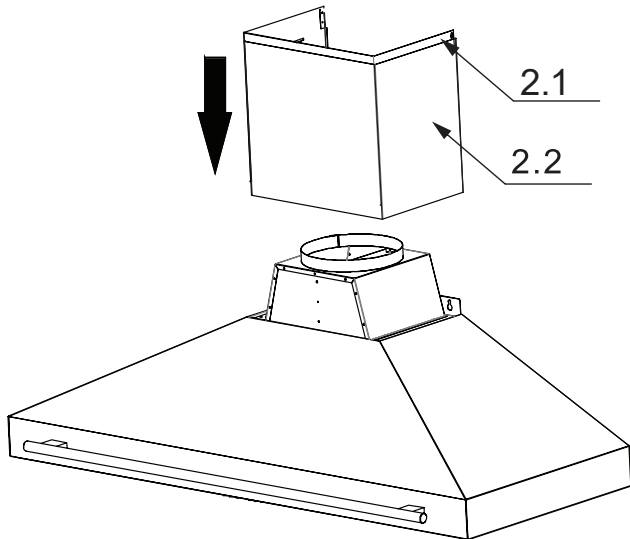


Figure 11.

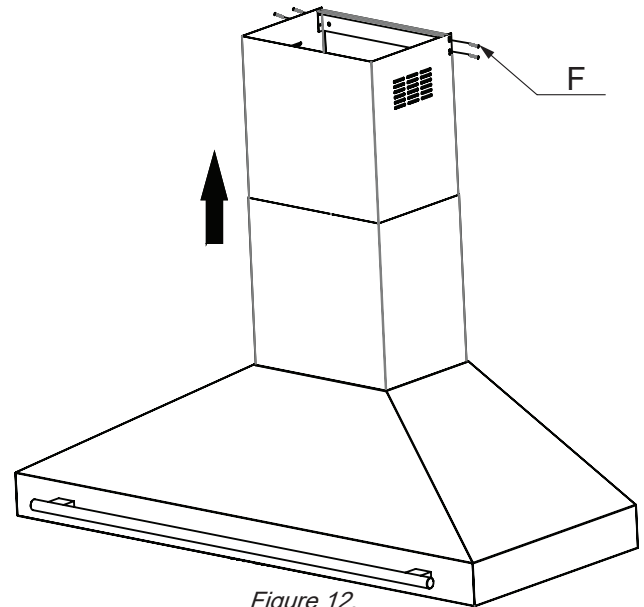


Figure 12.

- Slide the decorative frame/crown onto the chimney mounting bracket and secure it in position. Figure 13.

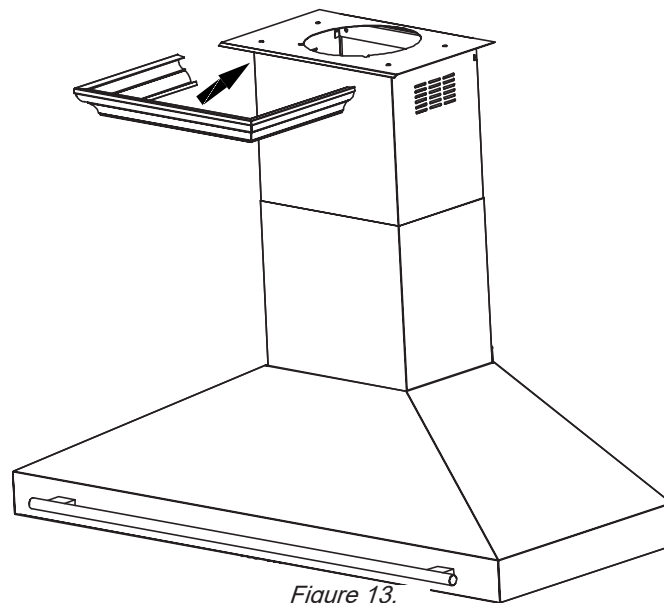


Figure 13.

## OPERATIONS

### CONTROL PANEL



 : Power Button/Power-off Delay Button

When the range hood is off, press this button to turn on the range hood, press 1, 2, 3 or 4 to adjust motor speed.


When the range hood is on, press this button to enter Power-off delay function, timer is 3 minutes, the range hood will turn off automatically when time up.

1. : First Speed

2. : Second Speed

3. : Third Speed

4. : Fourth Speed

 : Light Button. Turn on and off the light

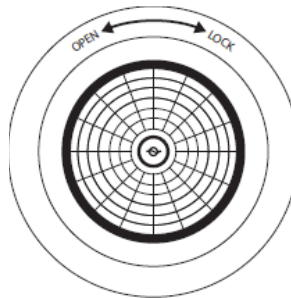
### LIGHT BULBS

**WARNING:** Please ensure lights have been switched off for some time and the power source has been disconnected before replacing any globes. Please be aware that the light will retain heat for a short period of time after being switched off.

Step 1: Turn anti-clockwise to open

Step 2: Take the existing globe out

Step 3: Insert a new globe (1.5W GU10 LED) and turn clockwise in lock position



### TECHNICAL INFORMATION

Body Design	Wall Mount
Power Rating	110-120V / 60Hz
Total Input power	164 W (30"), 315 W (36"), 338W (48"), 344W (60")
Motor Input Power	60W
Amperage	1.3A for 30", 2.5A for 36" 48" and 60"
Speed Control Levels	4 Speeds
Motors	Single Motor (30"), Double Motors (36", 48" & 60")
Controls	Pushbutton Switch
Filters	Stainless Steel Baffle Filters + Charcoal Filters
Lighting	2 x 2W LED (30"), 4 x 2W LED (36", 48" & 60")
Light Intensity	1
Venting Size	Top, Ø6" for 30", Ø10" for 36" 48" and 60"

## **MAINTENANCE & CLEANING**

---

### **SURFACE MAINTENANCE:**

Clean periodically with hot soapy water and clean cotton cloth. Do not use corrosive or abrasive detergent (e.g., comet powder scrub, EZ-Off oven cleaner), or steel wool/scoring pads which will scratch and damage surface.

For heavier soil use liquid degreaser such as 'Formula 409' or 'Fantastic' brand cleaner.

After cleaning, you may use nonabrasive stainless-steel polish/cleaners such as 3M or ZEP, to polish and buff out the stainless luster and grain. Always scrub lightly, with clean cotton cloth, and with the grain

### **FILTERS:**

The Filters fitted by the factory are intended to filter out residue and grease from cooking. It need not be replaced on a regular basis but are required to be kept clean.

Filters should be cleaned after every 30 hours of use.

Remove and clean by hand in a basin of hot soapy water. The filter is also dishwasher safe.

If heavily soiled, spray 'Formula 409' or equivalent degreasing detergent and leave to soak. Dry filters and re-install before using hood.

### **HOOD CLEANING:**

The saturation of greasy residue in the blower and filters may cause increased inflammability. Always keep unit clean and free of grease and residue build-up to prevent possible fires.

Filters must be cleaned periodically and free from accumulation of cooking residue (see cleaning instructions inside). Old and worn filters must be replaced immediately. Do not operate blowers when filters are removed. Never disassemble parts to clean without proper instructions. Disassembly is recommended to be performed by qualified personnel only. Call our service center for removal instructions.

Stainless steel is one of the easiest materials to keep clean. Occasional care will help preserve its fine appearance.

### **CLEANING TIPS:**

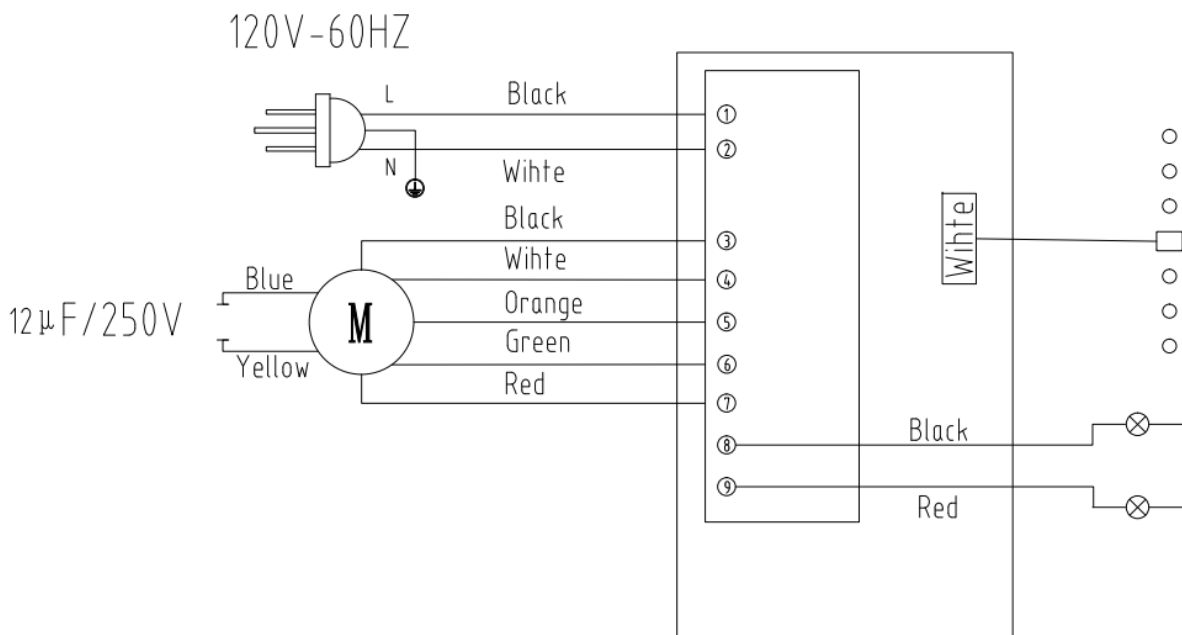
- Hot water with soap or detergent is all that is usually needed.
- Rinse with clear water. Wipe dry with a clean, soft cloth to avoid water marks.
- For discolorations or deposits that persist, use a non-scratching household cleanser or stainless-steel polishing powder with a little amount of water and a soft cloth.
- For stubborn stain, use a plastic scouring pad or soft bristle brush together with cleanser and water.
- Rub lightly in direction of polishing lines or "grain" of the stainless finish. Avoid using too much pressure that may mar the surface.
- Do not allow deposits to remain for long periods of time.
- Do not use ordinary steel wool or steel brushes. Small bits of steel may adhere to the surface causing rust.
- Do not allow salt solutions, disinfectants, bleaches, or cleaning compounds to remain in contact with stainless steel for extended periods. Many of these compounds contain chemicals that may be harmful. Rinse with water after exposure and wipe dry with a clean cloth.
- Painted surfaces should be cleaned with warm water and mild detergent only.

## TROUBLESHOOTING

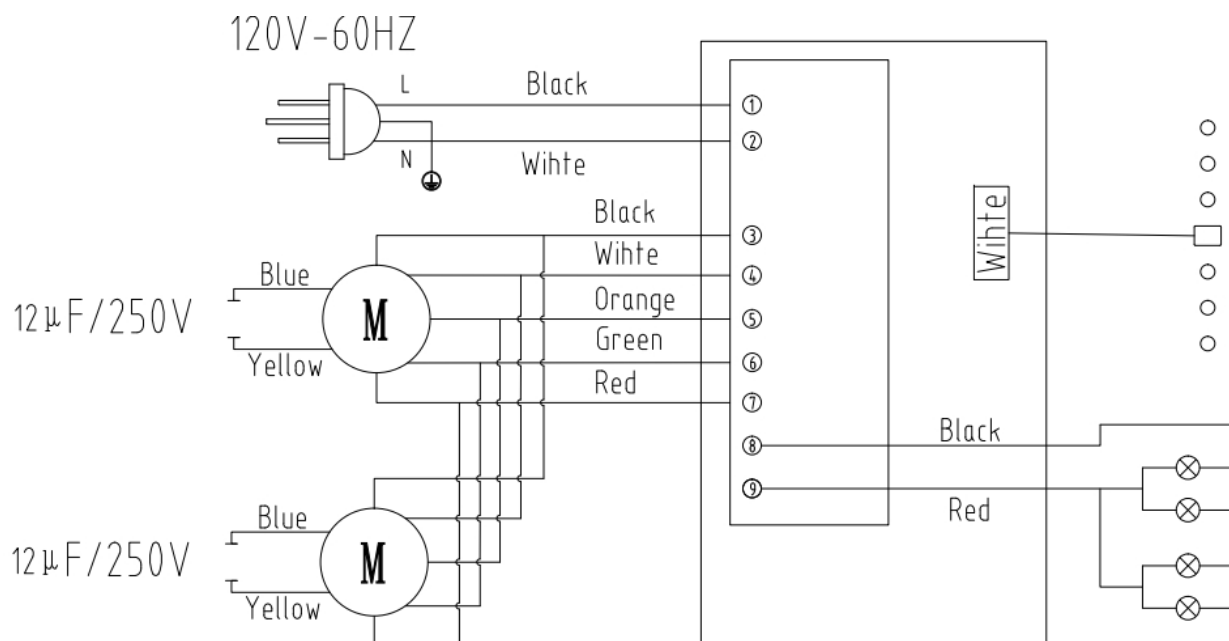
Problems	Solutions
The range hood does not operate.	<ul style="list-style-type: none"> <li>• Check that there is power to the range hood. The most common issue is that the circuit breaker is off, or the fuse has blown.</li> <li>• Make sure the speed has been selected at the range hood controls.</li> <li>• Turn off power to the range hood and check that all the wires are properly connected</li> <li>• If the problem persists, please contact Forno Technical Support.</li> </ul>
The range hood vibrates when the fan is operating.	<ul style="list-style-type: none"> <li>• The motor is loose – Turn off the power and remove the filter and check that all screws are secure and tight around the motor.</li> <li>• The duct work connection is loose – Turn off the power to the unit and check that the ductwork connection to the pipe is tight. Add duct tape if necessary.</li> </ul>
The fans seem weak.	<ul style="list-style-type: none"> <li>• Check that the duct size used is at least 6 in for the 30" and 10 in for the 36, 48 and 60 in. The range hood will not function efficiently with wrong duct size</li> <li>• Check that the duct is not clogged with debris and the tight mesh on the wall cap, if applicable, isn't restricting air flow</li> <li>• Check that the damper unit is opening properly.</li> <li>• Check that no birds or animals have nested in the duct.</li> </ul>
The lights work, but the fan is not spinning, is stuck, or is rattling.	<ul style="list-style-type: none"> <li>• The thermal protection system detects if the motor is too hot to operate and shuts the motor down. In this case, the motor will function properly after the thermal protection system cools down (after approximately 10 min).</li> <li>• Check that the fan isn't jammed or scraping the bottom.</li> <li>• If nothing else works, the motor may be defective or seized. If so, replace the motor.</li> </ul>
The range hood is not venting properly.	<ul style="list-style-type: none"> <li>• Check that no birds or animals have nested in the duct.</li> <li>• Check that the distance between the cooktop and the bottom of the range hood is between 458 mm (18 in) and 710 mm (28 in).</li> <li>• Check that duct work follows all requirements. Use round metal duct work with a uniform diameter of 152 mm (6 in). The length of duct work must not exceed 35 ft (10.7 m). Reduce the length of duct work and the number of elbows if necessary. Ensure that all joints are properly connected, sealed, and taped.</li> <li>• Check that the duct does not open against the wind.</li> <li>• Ensure that the power is on high speed for heavy cooking.</li> <li>• Close all windows nearest to the range hood to eliminate sudden air gusts.</li> <li>• To enhance the performance of the range hood, open slightly a window on the opposite side of the house where the range hood vents outdoors.</li> </ul>
A light does not work.	<ul style="list-style-type: none"> <li>• Check to see if light bulb is burnt. If so, replace.</li> <li>• Check the light bulb to see if it is loose. If so, tighten.</li> <li>• Remove the problem bulb and insert one you know is working. If the properly functioning light does not come on, the problem may be the light assembly. Have the light assembly serviced or replaced.</li> </ul>
What is make-up air?	<ul style="list-style-type: none"> <li>• When the range hood ventilates the air out of the room, the air vented must be replaced, this is called make-up air. We do not currently provide a make-up air unit. NOTE: Always consult any applicable building codes in your area regarding minimum and maximum air flow rates. Certain states may require additional items such as make-up air for larger CFM range hoods (typically over 300 CFM).</li> </ul>
My range hood is not pulling.	<ul style="list-style-type: none"> <li>• Was the unit plugged in, and was the fan tested before installation?</li> <li>• What is the distance between the hood and the cooktop?</li> <li>• Is the range hood the correct width for the cooktop?</li> <li>• Does the hood provide sufficient BTU or wattage output for the type of cooktop? <ul style="list-style-type: none"> <li>• For gas: BTU output per burner ÷ 100</li> <li>• For electric: Wattage output per burner ÷ 10</li> </ul> </li> <li>• Are the baffle or mesh filters installed correctly?</li> <li>• When were they last cleaned?</li> <li>• Is the ducting clear and unobstructed?</li> <li>• Is the damper opening properly when the hood is turned on?</li> <li>• Is there air coming out of the top of the hood?</li> <li>• Is there air coming out of the upper chimney section?</li> <li>• If a tissue is placed under the baffle filters, does the airflow hold it in place?</li> <li>• How many elbows are in the ducting run, and how long is the total duct path? <ul style="list-style-type: none"> <li>• There should be no more than 2–3 elbows.</li> <li>• For every elbow, subtract 15 feet from the total duct run. (See Duct Run Calculation section)</li> </ul> </li> </ul>

# WIRE DIAGRAM

FRHWM5095-30  
 FRHWM5095-30BLK  
 FRHWM5095-30WHT



FRHWM5095-36      FRHWM5095-48      FRHWM5095-60  
 FRHWM5095-36BLK    FRHWM5095-48BLK    FRHWM5095-60BLK  
 FRHWM5095-36WHT    FRHWM5095-48WHT    FRHWM5095-60WHT





FOR  
**FAST SUPPORT**  
EMAIL AT **INFO@FORNO.CA** 

Customer Support: Call 1-866-231-8893 or email: [info@forno.ca](mailto:info@forno.ca)